

## Creating Ceiling Transitions

### Acoustical Ceilings to Drywall Ceilings

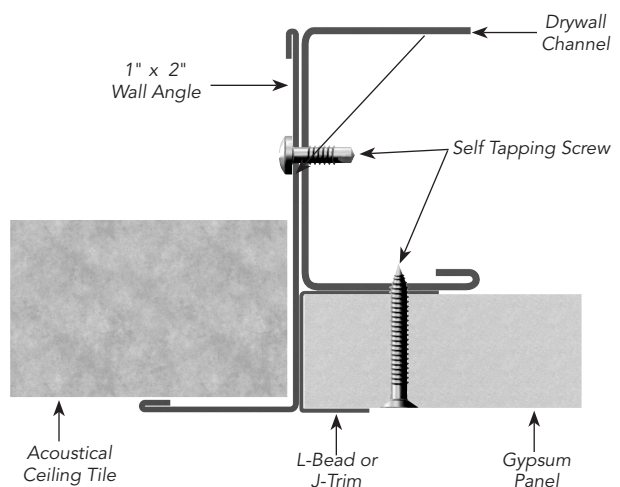
To add interest to ceiling areas, materials are often mixed. While the finished appearance of these areas is attractive, the installation of these areas requires that the installing contractor utilize some special installation methods. The following installation guidelines illustrate how ceiling transitions from drywall ceiling areas to acoustical ceiling areas can be accomplished. These methods do not require any special products, but rather focus on using materials which the contractor may already have on hand.



### Acoustical to Drywall Transition on the Same Level - No Reveal

#### To transition from a drywall ceiling to an acoustical ceiling on the same level:

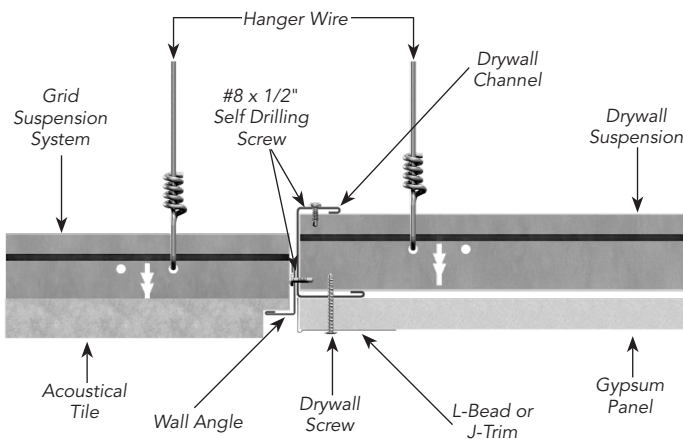
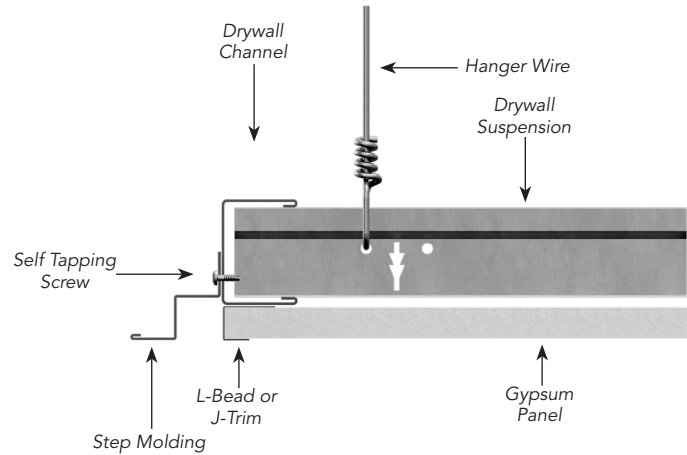
1. Complete installation of the drywall ceiling with drywall channel, and L-Bead or J-Trim to trim the edge of the gypsum board
2. Based upon the wall angle selected, align the wall angle with the face of the drywall ceiling (illustration shows 1" x 2" angle)
3. Fasten the wall angle to the drywall channel with a self tapping screw.
4. Install hanger wires within 6" of the perimeter of both the acoustical and drywall ceilings.



## Acoustical to Drywall Transitions on the Same Level - With Reveal Between Areas

To achieve an Acoustical to Drywall transition with a reveal between areas, when ceilings are at the same height:

1. Install hanger wires within 6" of the perimeter of both the acoustical and drywall ceilings.
2. Complete installation of the drywall ceiling with drywall channel, and L-Bead or J-Trim to trim the edge of the gypsum board.
3. Fasten the step molding to the drywall channel with a self tapping screw, aligning the face of the step molding with the face of the drywall ceiling.



Using wall angle to achieve an acoustical to drywall transition with a reveal, when ceilings are at the same height, install as follows:

1. Install hanger wires within 6" of the perimeter of both the acoustical and drywall ceilings.
2. Complete installation of the drywall ceiling with drywall channel, and L-Bead or J-Trim to trim the edge of the gypsum board.
3. Fasten the wall angle to the drywall channel with a self tapping screw. Position the wall angle on the channel to allow for the depth of the reveal edge acoustical tile.

### Have Questions?

Contact Rockfon Technical Support by calling **800-323-7164**, prompt 2 and we can provide assistance on your project.