



Prices effective February 3, 2025

Published March 2025

HermanMiller Ancillary

Introduction	page 2
HermanMiller Ancillary	
Seating	3
Side and Stacking Chairs	5
Lounge Seating	81
Stools	227
Benches	253
Work Chairs	262
Sofas	297
Desks and Tables	439
Desks	441
Tables	445
Occasional Tables	451
Storage	515
Accessories	659
Lighting	692
Outdoor Furniture	723
Seating	725
Tables	730
Indices	733
By Name	733
By Number	737
Appendices	
20-Day or Less/Assigned Lead-Time Order Information	
Stain-to-Match Program	
Casters and Glides	
Customer's Own Material/Customer's Own Leather Order Information-Seating	
Textiles Application Chart-Ancillary Seating, HermanMiller	
Textiles Application Chart-Ancillary Seating, Geiger	
Textile Colors	
For the latest materials information, refer to the Materials pages on HermanMiller.com.	

Introduction

A Note on the Organization of This Book

There are a few signals that will help you understand the organization of this book. Once you know them, you should be able to find your way around easily.

Like a newspaper, this book is formatted with columns of text and illustrations that run vertically.

Information wraps from one column to the next and continues for as many pages as it needs to.

Black bars are clues.

A black bar at the top of a page signals the start of information about a product.

This information is divided into two sections, each signaled by a black bar. Product Information includes a description, additional notes, and dimensional drawings. Specification Information, which always begins at the top of a column, includes a series of steps. Each step represents a decision you need to make in order to complete your product number. Steps must be followed sequentially. The number of pages needed to complete information on a product varies; some will be complete in one page; others may fill three or four pages. Just continue going through the steps until you run into the next product, signaled by the black bar at the top of the page.

Black tabs running along the outside edge of the page help you locate what section you are in or what section you want to go to. You can thumb forwards or backwards to find a section; tabs and text appear on both sides of the page.

The additional pages in the back of the book include the appendices and indices. They are signaled by a long black bar running along the outside edge of the page.

The index is presented two ways.

The first index is in alphabetical order by product name. It can be helpful if you are new to the products and numbering scheme or if you are looking for a type of product, such as work chair or round table.

The second index is by product number. It lists, in alphanumeric order, the base product number, typically a five-digit number.

General Information

This book is effective February 3, 2025, subject to change without notice. Products may be purchased from authorized Herman Miller dealers who will quote prices upon request. For more information about our products and services or to see a list of dealers, visit www.HermanMiller.com.


All prices are list prices. Additional services, such as planning services, design, storage, and installation, are not included and must be added to these prices when the additional services are requested.


Illustrations, specifications, and prices are based on the latest information at the time of publication. The right is reserved to make changes at any time without notice in prices, fabrics, finishes, materials, specifications, and models, and also to discontinue models and finishes.

Dimensions shown in the drawings are engineering drawing dimensions rounded up to the nearest $\frac{1}{8}$ ". Product is shipped set up or knocked down. Products that include "Shipped knocked down" in the description require some assembly. If this statement does not appear in the description, the product is shipped assembled.

Service problems are normally handled by a Herman Miller authorized dealer. Where this cannot be accomplished on a local level, service problems should be referred to the Customer Care Representative for your region, Herman Miller, Inc., Zeeland, Michigan 49464.

20-Day or Less/Assigned Lead-Time Shipments

All products and options in this price book not designated by an Assigned Program icon  will ship in **20 business days or less** after being acknowledged by Herman Miller.

Products and options designated by an  are on the assigned lead-time program and may ship in 20 days, less than 20 days, or more than 20 days from order acknowledgement.

Side & Stacking Chairs

Lounge Seating

Stools

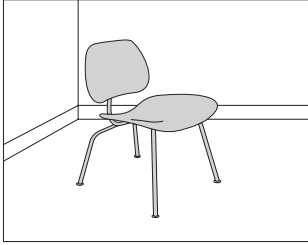
Benches

Work Chairs

Sofas



Eames® Molded Plywood Dining Chair DCM.
Metal Base



Product Information

Description

This 29½"-high molded plywood chair has natural face veneers, hardwood inner plies, and a 5-ply seat and back. It has a 4-leg base and self-leveling nylon glides. When upholstered, the back and seat shells have exposed veneer on their backside.

Notes

Red stain (11) shell finish is on birch veneer. This stain allows the wood grain to show through; inner plies are visible. Natural variations in wood grain may affect the appearance of this stain color.

Ebony (EN) shell finish is stain on ash veneer; inner plies are not as visible.

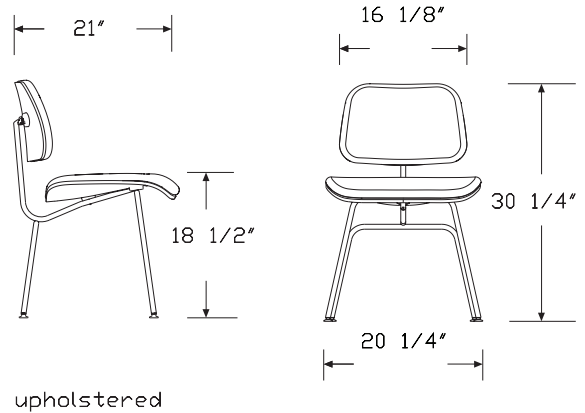
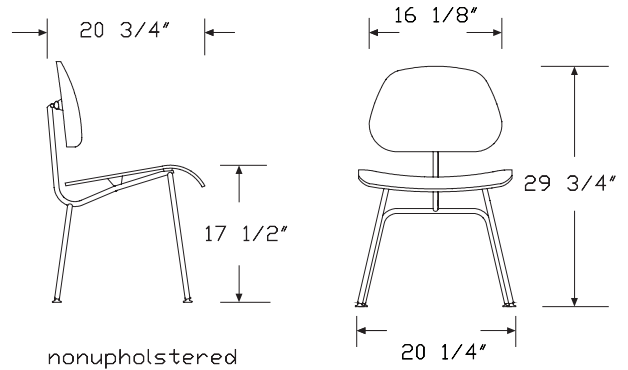
Black (BK) base finish has black glides. Trivalent chrome (47) base finish has white glides.

Santos palisander veneer is celebrated for its unique grain and color variations. Similar products ordered in multiples or dissimilar products ordered separately should be expected to have variation in both grain and color characteristics; no two products will look exactly alike.

Avoid placement in direct sunlight.

Customer's Own Material (COM) requires 1 yard. Customer's Own Leather (COL), requires 18 square feet. See COM Information in Appendices for additional information.

Dimensions



Eames® Molded Plywood Dining Chair
Metal Base *continued*

HermanMiller Ancillary-Side & Stacking Chairs

Specification Information

Step 1.

DC A

Step 2. Upholstery

M. nonupholstered shell A

M.U upholstered shell A

Prices for Steps 1-2.

DCM. \$1134

DCM.U \$1870

Step 3. Base Finish

BK black A +\$0

47 trivalent chrome A +\$20

Step 4. Shell Finish

Wood Veneer

For nonupholstered shell (M.)

OU walnut A +\$0

11 red stain A +\$115

A2 white ash A +\$115

EN ebony A +\$115

9N santos palisander A +\$285

Wood Veneer

For upholstered shell (M.U)

OU walnut A +\$0

11 red stain A +\$115

A2 white ash A +\$115

EN ebony A +\$115

9N santos palisander A +\$285

Step 5. Fabric

For upholstered shell (M.U)

Price Category 1 +\$0

Price Category 2 +\$36

Price Category 3 +\$68

Price Category 4 +\$103

Price Category (Geiger) 4 +\$103

Price Category 5 +\$121

Price Category (Geiger) 5 +\$108

Price Category (Geiger) 6 +\$143

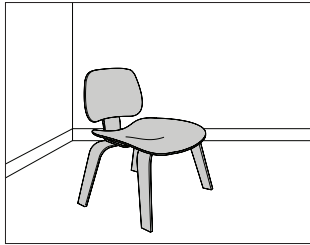
Price Category 7 +\$217

Price Category (Geiger) 7 +\$217

Price Category 8 +\$283

Price Category 9	+\$421
Price Category 9	+\$421
Price Category 10	+\$467
Price Category (Geiger) 10	+\$467
Price Category 11	+\$509
Price Category 14	+\$610
Price Category B	+\$34
Price Category C	+\$68
Price Category D	+\$96
Price Category E	+\$139
Price Category F	+\$192
Price Category G	+\$326
Price Category H	+\$366
Price Category I	+\$409
Price Category J	+\$451
Price Category L	+\$554
Price Category K	+\$496
Price Category M	+\$623
Price Category N	+\$665
Price Category O	+\$707
Price Category P	+\$733
Price Category Q	+\$792
Price Category R	+\$853

Eames® Molded Plywood Dining Chair DCW.
Wood Base



Product Information

Description

This 28³/₄"-high molded plywood chair has natural face veneers, hardwood inner plies, a 5-ply seat and back, and 8-ply legs. When upholstered, the back and seat shells have exposed veneer on their backside.

Notes

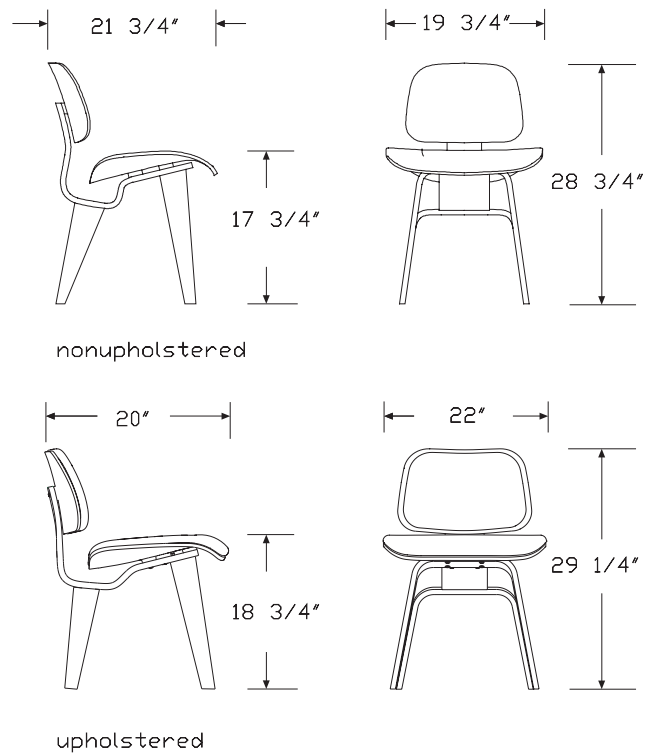
Red stain (11) finish is on birch veneer. This stain allows the wood grain to show through; inner plies are visible. Natural variations in wood grain may affect the appearance of this stain color.

Ebony (EN) shell finish is stain on ash veneer; inner plies are not as visible. Santos palisander veneer is celebrated for its unique grain and color variations. Similar products ordered in multiples or dissimilar products ordered separately should be expected to have variation in both grain and color characteristics; no two products will look exactly alike.

Avoid placement in direct sunlight.

Customer's Own Material (COM) requires 1 yard. Customer's Own Leather (COL), requires 18 square feet. See COM Information in Appendices for additional information.

Dimensions



Eames® Molded Plywood Dining Chair

Wood Base *continued*

HermanMiller Ancillary-Side & Stacking Chairs

Specification Information

Step 1.

DC A

Step 2. Upholstery

W. nonupholstered shell A

W.U upholstered shell A

Prices for Steps 1-2.

DCW. \$1481

DCW.U \$2119

Step 3. Finish

For nonupholstered shell (W.)

OU walnut A +\$0

11 red stain A +\$154

A2 white ash A +\$154

EN ebony A +\$154

9N santos palisander A +\$575

For upholstered shell (W.U)

OU walnut A +\$0

11 red stain A +\$154

A2 white ash A +\$154

EN ebony A +\$154

9N santos palisander A +\$575

Step 4. Fabric

For upholstered shell (W.U)

Price Category B +\$34

Price Category 1 +\$0

Price Category 2 +\$36

Price Category 3 +\$68

Price Category 4 +\$103

Price Category (Geiger) 4 +\$103

Price Category 5 +\$121

Price Category (Geiger) 5 +\$108

Price Category (Geiger) 6 +\$101

Price Category 7 +\$217

Price Category (Geiger) 7 +\$217

Price Category 8 +\$283

Price Category 9 +\$421

Price Category 9 +\$421

Price Category 10 +\$392

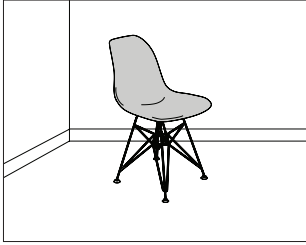
Price Category (Geiger) 10 +\$467

Price Category 11 +\$509

Price Category 14	+\$610
Price Category C	+\$68
Price Category D	+\$96
Price Category E	+\$139
Price Category F	+\$192
Price Category G	+\$326
Price Category H	+\$366
Price Category I	+\$409
Price Category J	+\$451
Price Category K	+\$496
Price Category L	+\$554
Price Category M	+\$623
Price Category N	+\$665
Price Category O	+\$707
Price Category P	+\$733
Price Category Q	+\$792
Price Category R	+\$853

Eames® Molded Plastic Side Chair

DSR.
DSS.
DSW.
DSX.



Product Information

Description

This chair has a single-piece nonupholstered shell with waterfall edges and molded plastic seat and flexible back. Base options include a wire base, a stacking/ganging base, a dowel base, or a 4-leg base. The dowel base has non-adjustable nylon glides. Standard glides can be ordered with or without felt. Ships assembled.

Notes

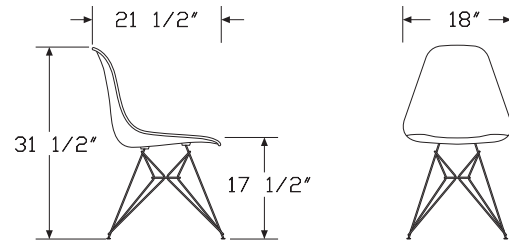
Ebony (EN) dowel legs are stained ash wood with black glides. Walnut (OU) dowel legs are walnut wood with black glides.

Natural maple (UL) and white ash (A2) dowel legs have white glides.

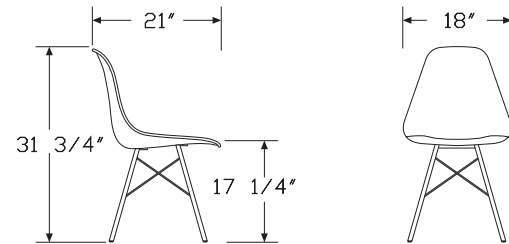
Dowel base has glide option to include felt bottom.

Stacking/ganging base chairs can stack up to 14 high. For ease of mobility, two types of dollies are available, but sold separately.

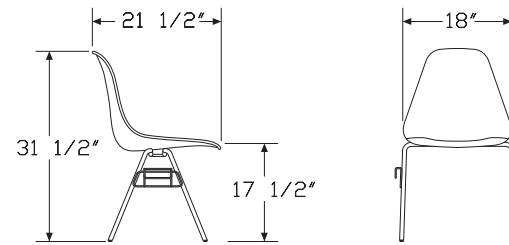
Dimensions



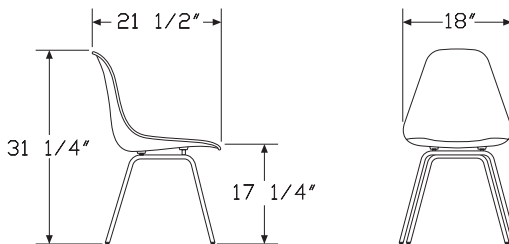
Wire Base



Dowel-Leg Base



Stacking/Ganging Base



4-Leg Base

Eames® Molded Plastic Side Chair

continued

HermanMiller Ancillary-Side & Stacking Chairs

Specification Information

Step 1.

DS

Step 2. Base Option

- R.** wire base with nonupholstered shell
- S.** stacking/ganging base with nonupholstered shell
- W.** dowel base with nonupholstered shell
- X.** 4-leg base with nonupholstered shell

Prices for Steps 1-2.

DSR.	\$535
DSS.	\$549
DSW.	\$747
DSX.	\$485

Step 3. Base Finish

For wire base with nonupholstered shell (R.) or 4-leg base with nonupholstered shell (X.)

91	white (CP) <input type="checkbox"/>	+\$0
BK	black	+\$0
47	trivalent chrome	+\$20

For stacking/ganging base with nonupholstered shell (S.)

47	trivalent chrome	+\$20
-----------	------------------	-------

For dowel base with nonupholstered shell (W.)

91	white (CP) <input type="checkbox"/>	+\$0
BK	black	+\$0
47	trivalent chrome <input type="checkbox"/>	+\$20

Step 4. Dowel Finish

For dowel base with nonupholstered shell (W.)

UL	natural maple	+\$0
A2	white ash <input type="checkbox"/>	+\$30
EN	ebony	+\$30
OU	walnut	+\$30
WHN	natural white oak <input type="checkbox"/>	+\$30

Step 5. Seat/Back Finish

BKR	brick red	+\$0
BLG	blue green	+\$0
CC1	cocoa	+\$0
DYL	deep yellow	+\$0
EVG	evergreen	+\$0
LTY	light grey	+\$0
MGR	medium grey	+\$0
PBU	pale blue	+\$0
RYG	grey green	+\$0
ZA	black	+\$0
ZE	red orange	+\$0
ZF	white	+\$0

Step 6. Glide Option

For stacking/ganging base with nonupholstered shell (S.) or 4-leg base with nonupholstered shell (X.)

E7	metal swivel glide <input type="checkbox"/>	+\$50
E8	standard glide	+\$0
E9	standard glide with felt bottom	+\$25

For dowel base with nonupholstered shell (W.)

E8	standard glide	+\$0
E9	standard glide with felt bottom	+\$25

For wire base with nonupholstered shell (R.)

E8	standard glide	+\$0
E9	standard glide with felt bottom	+\$25

Eames® Wire Chair

DKR.
DKW.
DKX.



Product Information

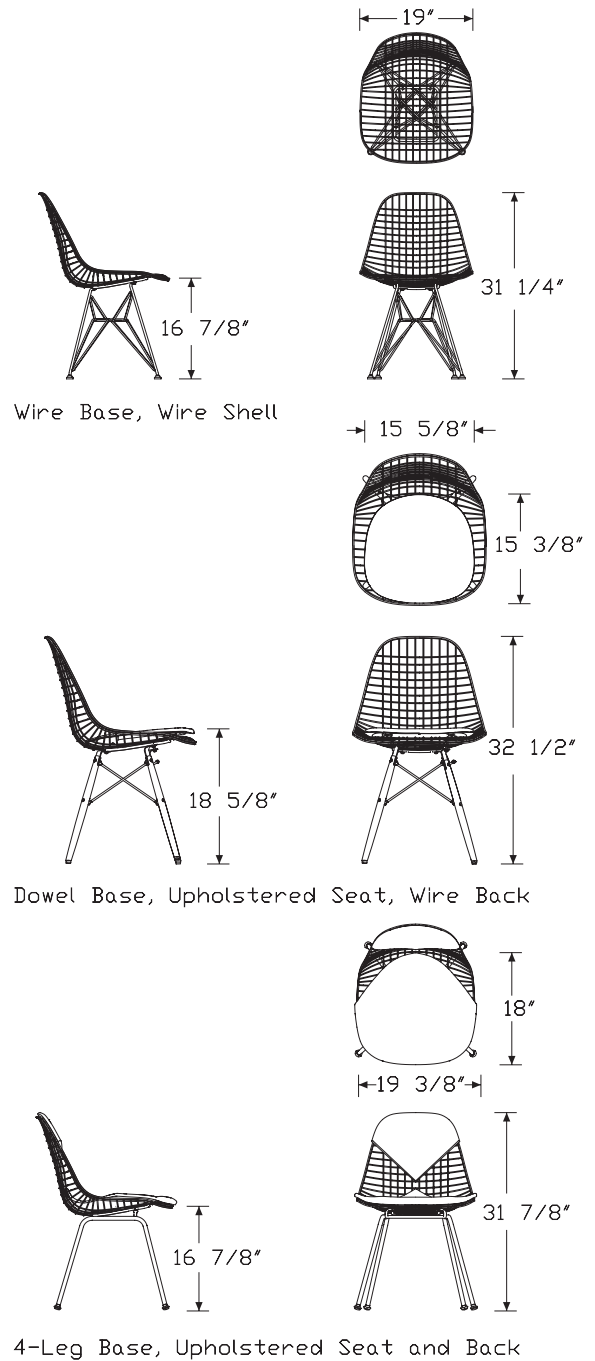
Description

This chair has a wire shell, a wire shell with upholstered seat and back, or a wire shell with upholstered seat and wire back. Wire shell and metal bases are available in trivalent chrome, white or black. Dowel base is available in several finishes. Chair comes with standard indoor glides with or without felt. Suitable for indoor use only.

Notes

For upholstered seat pad (5), Customer's Own Material (COM) requires 1 yard. Customer's Own Leather (COL) requires 9 square feet. See Order Information in appendices.

Dimensions



Specification Information

Step 1.

DK A

Step 2. Base

- R. wire leg A
- X. 4-leg base A
- W. dowel base A

Step 3. Seat/Back Material

- 0 wire shell
- 2 wire shell/upholstered seat/back
- 5 wire shell/upholstered seat/wire back

Prices for Steps 1-3.

DKR.	0	\$1170
	2	\$1879
	5	\$1524
<hr/>		
DKX.	0	\$1122
	2	\$1830
	5	\$1477
<hr/>		
DKW.	0	\$1384
	2	\$2093
	5	\$1737

Step 4. Seat Frame/Leg Finish

For wire leg (R.) or 4-leg base (X.) with wire shell (0), or wire shell/upholstered seat/wire back (5)

47	trivalent chrome	+\$20
91	white (CP)	+\$0
BK	black	+\$0

For dowel base (W.) with wire shell (0), or wire shell/upholstered seat/wire back (5)

47	trivalent chrome <input type="checkbox"/> A	+\$20
91	white (CP) <input type="checkbox"/> A	+\$0
BK	black <input type="checkbox"/> A	+\$0

For wire leg (R.) or 4-leg base (X.) with wire shell/upholstered seat/back (2)

47	trivalent chrome <input type="checkbox"/> A	+\$20
91	white (CP) <input type="checkbox"/> A	+\$0
BK	black <input type="checkbox"/> A	+\$0

For dowel base (W.) with wire shell/upholstered seat/back (2)

47	trivalent chrome <input type="checkbox"/> A	+\$20
91	white (CP) <input type="checkbox"/> A	+\$0
BK	black <input type="checkbox"/> A	+\$0

Step 5. Dowel Finish

For dowel base (W.) with wire shell (0), wire shell/upholstered seat/back (2), or wire shell/upholstered seat/wire back (5) with trivalent chrome (47), white (CP) (91), or black (BK)

UL	natural maple <input type="checkbox"/> A	+\$0
A2	white ash <input type="checkbox"/> A	+\$30
EN	ebony <input type="checkbox"/> A	+\$30
OU	walnut <input type="checkbox"/> A	+\$30

Step 6. Upholstery

For wire leg (R.), 4-leg base (X.), or dowel base (W.) with wire shell/upholstered seat/back (2) with trivalent chrome (47)

Price Category 2	+\$31
Price Category 3	+\$36
Price Category 5	+\$73
Price Category 8	+\$175
Price Category 9	+\$259
Price Category 11	+\$314
Price Category B	+\$36
Price Category D	+\$36
Price Category K	+\$456
Price Category R	+\$793

<i>For wire leg (R.), 4-leg base (X.), or dowel base (W.) with wire shell/ upholstered seat/wire back (5) with trivalent chrome (47)</i>	
Price Category 1	+\$0
Price Category 2	+\$31
Price Category 3	+\$36
Price Category 3	+\$36
Price Category 4	+\$41
Price Category 5	+\$73
Price Category (Geiger) 5	+\$73
Price Category (Geiger) 6	+\$97
Price Category 7	+\$138
Price Category (Geiger) 7	+\$133
Price Category 8	+\$175
Price Category 9	+\$259
Price Category 10	+\$281
Price Category 11	+\$314
Price Category B	+\$36
Price Category C	+\$60
Price Category D	+\$36
Price Category F	+\$154
Price Category H	+\$252
Price Category I	+\$300
Price Category J	+\$348
Price Category K	+\$456
Price Category R	+\$793

<i>For wire leg (R.), 4-leg base (X.), or dowel base (W.) with wire shell/ upholstered seat/back (2) with white (CP) (91), or black (BK)</i>	
Price Category 2	+\$31
Price Category 3	+\$36
Price Category 5	+\$73
Price Category 8	+\$175
Price Category 9	+\$259
Price Category 11	+\$314
Price Category B	+\$36
Price Category D	+\$36
Price Category K	+\$456
Price Category R	+\$793

<i>For wire leg (R.), 4-leg base (X.), or dowel base (W.) with wire shell/ upholstered seat/wire back (5) with white (CP) (91), or black (BK)</i>	
Price Category 1	+\$0
Price Category 2	+\$31
Price Category 3	+\$36
Price Category 3	+\$36
Price Category 4	+\$41
Price Category 5	+\$73
Price Category (Geiger) 5	+\$73
Price Category (Geiger) 6	+\$97
Price Category 7	+\$138
Price Category (Geiger) 7	+\$133
Price Category 8	+\$175
Price Category 9	+\$259
Price Category 10	+\$281
Price Category 11	+\$314
Price Category B	+\$36
Price Category C	+\$60
Price Category D	+\$36
Price Category F	+\$154
Price Category G	+\$204
Price Category K	+\$456
Price Category R	+\$793

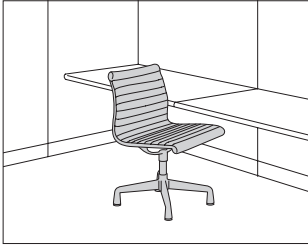
Step 7. Glide Option

<i>For wire leg (R.) or 4-leg base (X.)</i>		
E8	standard glide <input type="checkbox"/> A	+\$0
E9	standard glide with felt bottom <input type="checkbox"/> A	+\$25

<i>For dowel base (W.)</i>		
E8	standard glide <input type="checkbox"/> A	+\$0
E9	standard glide with felt bottom <input type="checkbox"/> A	+\$25

Eames® Aluminum Group Side Chair

EA302
EA306
EA308



HermanMiller Ancillary-Side & Stacking Chairs

Product Information

Description

This low-back chair has a lightweight aluminum frame with suspended upholstery. It has a 4-star base with 1/2" (GD) glides for hard floors or carpet and fixed seat height. The chair is available with or without a swivel mechanism. Arm choices include arms with or without arm pads, or no arms.

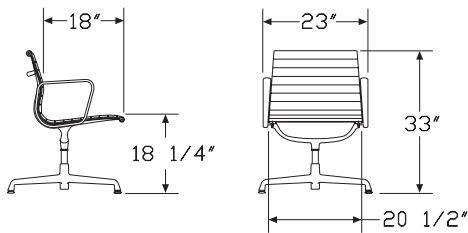
Notes

For description of glide, see Casters and Glides in Appendices.

Arm pad material is leather with limited color options available. Not available as COM or COL.

Customer's Own Material (COM) requires 1 1/3 yards. Customer's Own Leather (COL) requires 45 square feet. See Order Information in Appendices.

Dimensions



Specification Information

Step 1.

EA30 A

Step 2. Arms

- 6 no arms
- 8 arms
- 2 arms with arm pads A

Step 3. Swivel

- S swivel base
- F fixed base, no swivel

Prices for Steps 1-3.

EA306	S	\$1909
	F	\$2027
EA308	S	\$2490
	F	\$2605
EA302	S	\$2597
	F	\$2712

Step 4. Base/Frame Finish

G1	graphite (CP) <input type="checkbox"/> A	+\$0
L	polished aluminum	+\$0
BK	black <input type="checkbox"/> A	+\$87
91	white (CP) <input type="checkbox"/> A	+\$87
EP	eggplant <input type="checkbox"/> A	+\$87

Eames® Aluminum Group Side Chair

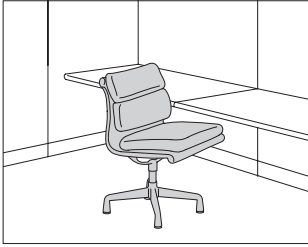
continued

Step 5. Fabric	
Price Category 1	+\$0
Price Category 2	+\$60
Price Category 3	+\$112
Price Category 4	+\$172
Price Category (Geiger) 4	+\$172
Price Category (DWR) 4	+\$143
Price Category 5	+\$188
Price Category (Geiger) 5	+\$188
Price Category 7	+\$223
Price Category (Geiger) 7	+\$223
Price Category 8	+\$437
Price Category 9	+\$731
Price Category (Geiger) 10	+\$827
Price Category 10M	+\$1040
Price Category 11	+\$950
Price Category B	+\$47
Price Category C	+\$68
Price Category D	+\$90
Price Category F	+\$146
Price Category G	+\$191
Price Category H	+\$232
Price Category J	+\$313
Price Category R	+\$1544

Step 6. Arm Pad Fabric	
<i>For arms with arm pads (2)</i>	
Price Category 11	+\$0
Price Category R	+\$10

Eames® Soft Pad Side Chair

EA402
EA406
EA408



HermanMiller Ancillary-Side & Stacking Chairs

Product Information

Description

This low-back chair has a lightweight aluminum frame and 2"-thick upholstered foam cushions. It has a 4-star base with 1/2" (GD) glides for hard floors or carpet and fixed seat height. The chair is available with or without a swivel mechanism. Arm choices include arms with or without arm pads, or no arms.

Notes

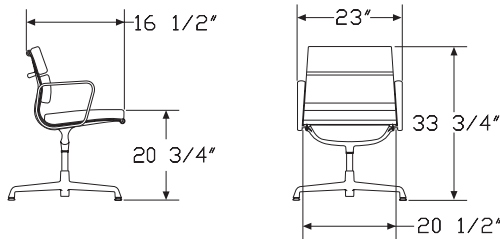
For description of glides, see Casters and Glides in Appendices.

Arm pad material is leather with limited color options available. Not available as COM or COL.

Customer's Own Material (COM) requires 2 1/2 yards. Customer's Own

Leather (COL) requires 45 square feet. See Order Information in Appendices.

Dimensions



Specification Information

Step 1.

EA40 A

Step 2. Arms

- 6 no arms A
- 8 arms A
- 2 arms with arm pads A

Step 3. Swivel

- S swivel base A
- F fixed base, no swivel A

Prices for Steps 1-3.

EA406	S	\$3429
	F	\$3543
EA408	S	\$4007
	F	\$4122
EA402	S	\$4114
	F	\$4229

Step 4. Base/Frame Finish

G1	graphite (CP) <input type="checkbox"/> A	+\$0
L	polished aluminum <input type="checkbox"/> A	+\$0
BK	black <input type="checkbox"/> A	+\$87
91	white (CP) <input type="checkbox"/> A	+\$87
EP	eggplant <input type="checkbox"/> A	+\$87

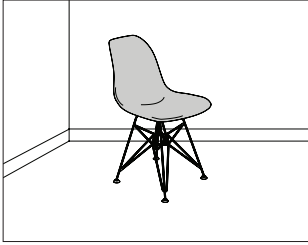
Eames® Soft Pad Side Chair *continued*

Step 5. Fabric	
Price Category 1	+\$0
Price Category 2	+\$88
Price Category 3	+\$188
Price Category 4	+\$290
Price Category (DWR) 4	+\$242
Price Category 5	+\$349
Price Category (Geiger) 5	+\$349
Price Category 7	+\$356
Price Category (Geiger) 7	+\$356
Price Category 8	+\$437
Price Category 9	+\$710
Price Category 10	+\$706
Price Category (Geiger) 10	+\$803
Price Category 10M	+\$1087
Price Category 11	+\$950
Price Category B	+\$85
Price Category C	+\$126
Price Category D	+\$168
Price Category E	+\$210
Price Category F	+\$276
Price Category G	+\$358
Price Category H	+\$436
Price Category I	+\$511
Price Category J	+\$588
Price Category L	+\$740
Price Category P	+\$1045
Price Category R	+\$1584

Step 6. Arm Pad Fabric	
<i>For arms with arm pads (2)</i>	
Price Category 11	+\$0
Price Category R	+\$10

Eames® Molded Plastic Side Chair
Herman Miller x HAY

DSC.



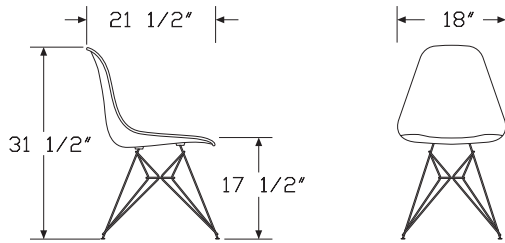
HermanMiller Ancillary-Side & Stacking Chairs

Product Information

Description

This wire base chair has a single-piece nonupholstered shell with waterfall edges and molded plastic seat and flexible back. Standard glides can be ordered with or without felt. Ships assembled.

Dimensions



Wire Base

Specification Information

Step 1.

DSC. A \$535

Step 2. Color Finish

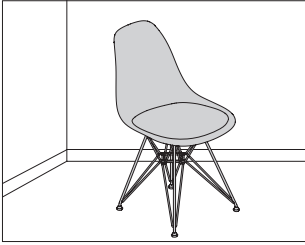
PDY powder yellow A +\$0
MNT mint green A +\$0
RND iron red A +\$0
TFE toffee A +\$0
BCB black blue A +\$0
PDK powder pink A +\$0

Step 3. Glide Option

E8 standard glide A +\$0
E9 standard glide with felt bottom A +\$25

Eames® Upholstered Molded Plastic Side Chair

DSR.
DSW.
DSX.



Product Information

Description

This side chair has a molded 1-piece construction with waterfall edges, molded plastic seat and flexible back. It has a fully upholstered shell or an attached upholstered seat pad. Seat pad is easily removable for cleaning or reupholstery. Base options include a wire base, dowel base, or 4-leg base. The dowel base has non-adjustable nylon glides. Standard glides can be ordered with or without felt. Ships assembled.

Notes

Ebony (EN) and walnut (OU) dowel legs are stained ash wood with black glides.

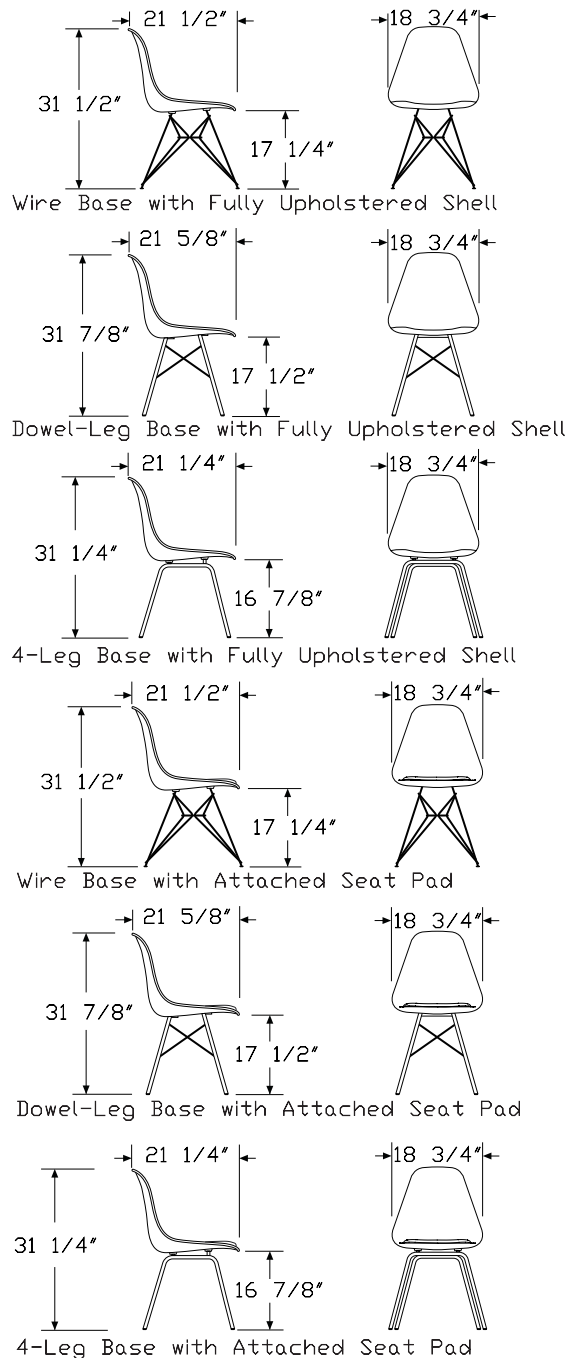
Natural maple (UL) and white ash (A2) dowel legs have white glides.

Dowel base has glide option to include felt bottom.

Seat pad is upholstered with textiles or leather for indoor use only.

For upholstered seat pad (P), Customer's Own Material (COM) requires 1/2 yard. Customer's Own Leather (COL) requires 9 square feet. See Order Information in appendices.

Dimensions



Eames® Upholstered Molded Plastic
Side Chair *continued*

HermanMiller Ancillary-Side & Stacking Chairs

Specification Information

Step 1.

DS A

Step 2. Base

R. wire leg A

W. dowel base A

X. 4-leg base A

Step 3. Upholstery

P upholstered seat pad A

U fully upholstered shell A

Prices for Steps 1-3.

DSR.	P	\$707
	U	\$839

DSW.	P	\$920
	U	\$1052

DSX.	P	\$655
	U	\$790

Step 4. Base Finish

For wire leg (R.) or 4-leg base (X.)

91 white (CP) A +\$0

BK black A +\$0

47 trivalent chrome A +\$20

For dowel base (W.)

91 white (CP) A +\$0

BK black A +\$0

47 trivalent chrome A +\$20

Step 5. Dowel Finish

For dowel base (W.)

UL natural maple A +\$0

A2 white ash A +\$30

EN ebony A +\$30

OU walnut A +\$30

WHN natural white oak A +\$30

Step 6. Back Finish

BKR brick red A +\$0

BLG blue green A +\$0

CC1 cocoa A +\$0

DYL deep yellow A +\$0

EVG evergreen A +\$0

LTY light grey A +\$0

MGR medium grey A +\$0

PBU pale blue A +\$0

RYG grey green A +\$0

ZA black A +\$0

ZE red orange A +\$0

ZF white A +\$0

Step 7. Edge Finish

For fully upholstered shell (U)

111 parchment A +\$0

BK black A +\$0

ZF white A +\$0

Step 8. Upholstery

For fully upholstered shell (U)

Price Category 2 +\$31

Price Category 4 +\$41

Price Category 5 +\$73

Price Category 7 +\$138

Price Category B +\$36

Price Category H +\$254

Price Category J +\$348

Price Category K +\$456

Eames® Upholstered Molded Plastic
Side Chair *continued*

For upholstered seat pad (P)

Price Category 1	+\$0
Price Category 2	+\$31
Price Category 3	+\$30
Price Category 4	+\$41
Price Category 5	+\$73
Price Category (Geiger) 5	+\$73
Price Category (Geiger) 6	+\$97
Price Category 7	+\$138
Price Category (Geiger) 7	+\$133
Price Category 8	+\$181
Price Category 9	+\$259
Price Category 10	+\$281
Price Category 11	+\$314
Price Category B	+\$36
Price Category C	+\$60
Price Category D	+\$83
Price Category F	+\$154
Price Category G	+\$204
Price Category I	+\$300
Price Category J	+\$348
Price Category K	+\$456
Price Category R	+\$793

Step 9. Glide Option

For 4-leg base (X.)

E7	metal swivel glide <input type="checkbox"/> A	+\$50
E8	standard glide	+\$0
E9	standard glide with felt bottom	+\$25

For wire leg (R.)

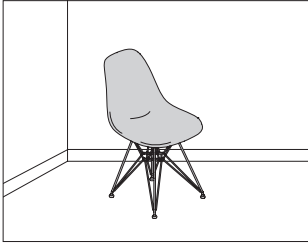
E8	standard glide <input type="checkbox"/> A	+\$0
E9	standard glide with felt bottom <input type="checkbox"/> A	+\$25

For dowel base (W.)

E8	standard glide <input type="checkbox"/> A	+\$0
E9	standard glide with felt bottom <input type="checkbox"/> A	+\$25

Eames® Molded Fiberglass Side Chair

DFSR.
DFSS.
DFSW.
DFSX.



HermanMiller Ancillary-Side & Stacking Chairs

Product Information

Description

This chair has a single-piece nonupholstered shell with waterfall edges and molded fiberglass seat and flexible back. Base options include a wire base, stacking/ganging base, dowel base, or a 4-leg base. The dowel base has non-adjustable nylon glides. Standard glides can be ordered with or without felt. Ships assembled.

Notes

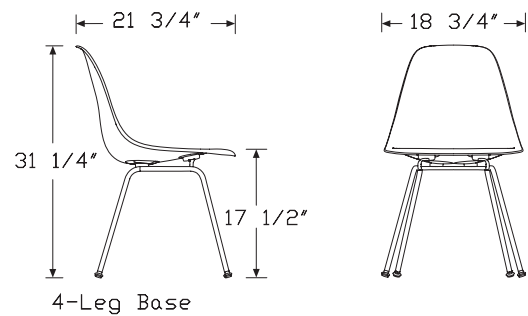
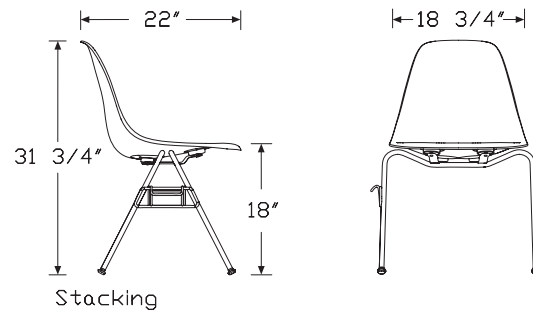
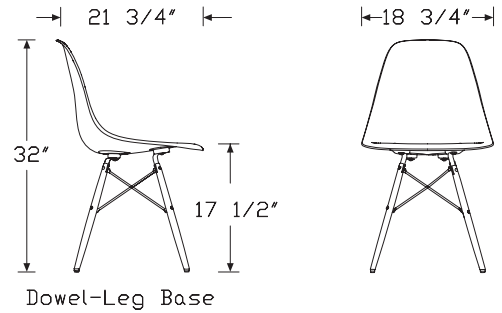
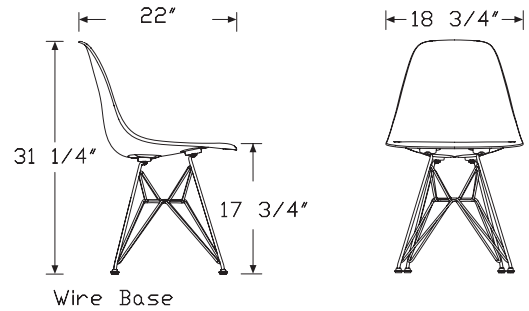
Ebony (EN) dowel legs are stained ash wood with black glides. Walnut (OU) dowel legs are walnut wood with black glides.

Natural maple (UL) and white ash (A2) dowel legs have white glides.

Dowel base has glide option to include felt bottom.

Stacking base chairs can stack up to 14 high. For ease of mobility, two types of dollies are available, but sold separately.

Dimensions



Eames® Molded Fiberglass Side Chair

continued

Specification Information

Step 1.

DFS A

Step 2. Base Option

- R.** wire base with nonupholstered shell
- S.** stacking/ganging base with nonupholstered shell
- W.** dowel base with nonupholstered shell
- X.** 4-leg base with nonupholstered shell

Prices for Steps 1-2.

DFSR.	\$996
DFSS.	\$1014
DFSW.	\$1225
DFSX.	\$944

Step 3. Base Finish

For wire base with nonupholstered shell (R.) or 4-leg base with nonupholstered shell (X.)

91 white (CP) <input type="checkbox"/> A	+\$0
BK black	+\$0
47 trivalent chrome	+\$20

For stacking/ganging base with nonupholstered shell (S.)

47 trivalent chrome	+\$20
----------------------------	-------

For dowel base with nonupholstered shell (W.)

91 white (CP) <input type="checkbox"/> A	+\$0
BK black	+\$0
47 trivalent chrome	+\$20

Step 4. Dowel Finish

For dowel base with nonupholstered shell (W.)

UL natural maple	+\$0
A2 white ash	+\$30
EN ebony	+\$30
OU walnut	+\$30
WHN natural white oak <input type="checkbox"/> A	+\$30

Step 5. Seat/Back Finish

111 parchment	+\$0
112 elephant hide grey	+\$0
114 red orange	+\$0
117 navy blue	+\$0
118 black	+\$0
TCA terra cotta <input type="checkbox"/> A	+\$0
DKS dark seafoam <input type="checkbox"/> A	+\$0

Step 6. Glide Option

For stacking/ganging base with nonupholstered shell (S.) or 4-leg base with nonupholstered shell (X.)

E7 metal swivel glide <input type="checkbox"/> A	+\$50
E8 standard glide	+\$0
E9 standard glide with felt bottom	+\$25

For wire base with nonupholstered shell (R.)

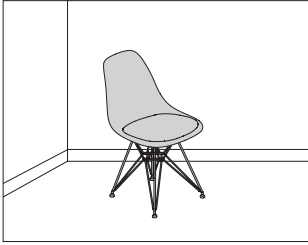
E8 standard glide <input type="checkbox"/> A	+\$0
E9 standard glide with felt bottom <input type="checkbox"/> A	+\$25

For dowel base with nonupholstered shell (W.)

E8 standard glide	+\$0
E9 standard glide with felt bottom	+\$25

Eames® Upholstered Molded
Fiberglass Side Chair

DFSR.
DFSW.
DFSX.



HermanMiller Ancillary-Side & Stacking Chairs

Product Information

Description

This side chair has a molded 1-piece construction with waterfall edges, molded fiberglass seat and flexible back. It has a fully upholstered shell or an attached upholstered seat pad. Seat pad is easily removable for cleaning or reupholstery. Base options include a wire base, dowel base, or 4-leg base. The dowel base has non-adjustable nylon glides. Standard glides can be ordered with or without felt. Ships assembled.

Notes

Ebony (EN) and walnut (OU) dowel legs are stained ash wood with black glides.

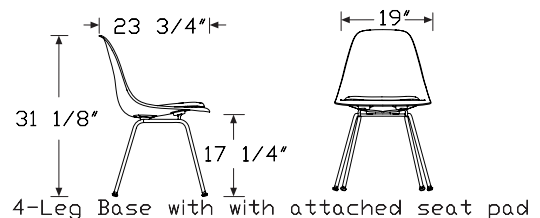
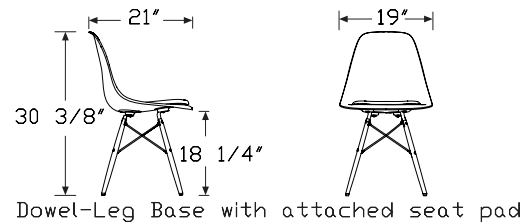
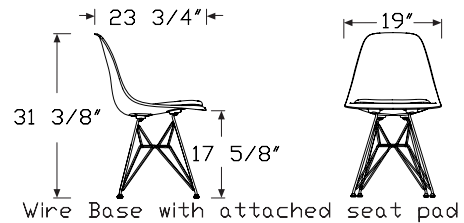
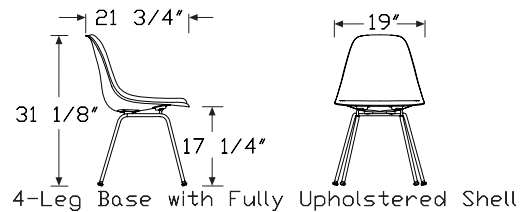
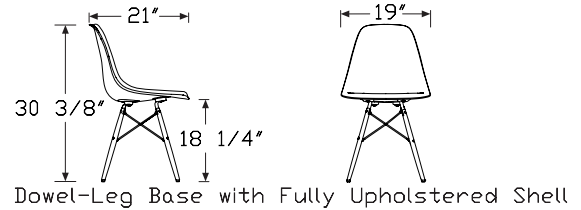
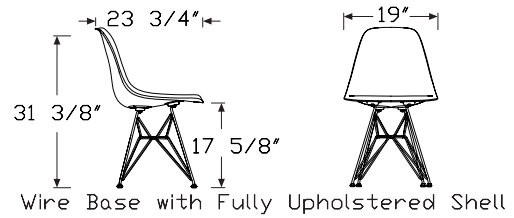
Natural maple (UL) and white ash (A2) dowel legs have white glides.

Dowel base has glide option to include felt bottom.

Seat pad is upholstered with textiles or leather for indoor use only.

For upholstered seat pad (P), Customer's Own Material (COM) requires 1/2 yard. Customer's Own Leather (COL) requires 9 square feet. See Order Information in appendices.

Dimensions



Eames® Upholstered Molded
Fiberglass Side Chair *continued*

Specification Information

Step 1.

DFS A

Step 2. Base

R. wire leg A

W. dowel base A

X. 4-leg base A

Step 3. Upholstery

U fully upholstered shell A

P upholstered seat pad A

Prices for Steps 1-3.

DFSR. U	\$1323
P	\$1181

DFSW. U	\$1551
P	\$1406

DFSX. U	\$1270
P	\$1126

Step 4. Base Finish

For wire leg (R.) or 4-leg base (X.)

91 white (CP) <input type="checkbox"/> A	+\$0
BK black <input type="checkbox"/> A	+\$0
47 trivalent chrome <input type="checkbox"/> A	+\$20

For dowel base (W.)

91 white (CP) <input type="checkbox"/> A	+\$0
BK black <input type="checkbox"/> A	+\$0
47 trivalent chrome <input type="checkbox"/> A	+\$20

Step 5. Dowel Finish

For dowel base (W.)

UL natural maple <input type="checkbox"/> A	+\$0
A2 white ash <input type="checkbox"/> A	+\$30
EN ebony <input type="checkbox"/> A	+\$30
OU walnut <input type="checkbox"/> A	+\$30
WHN natural white oak <input type="checkbox"/> A	+\$30

Step 6. Back Finish

111 parchment <input type="checkbox"/> A	+\$0
112 elephant hide grey <input type="checkbox"/> A	+\$0
114 red orange <input type="checkbox"/> A	+\$0
117 navy blue <input type="checkbox"/> A	+\$0
118 black <input type="checkbox"/> A	+\$0
TCA terra cotta <input type="checkbox"/> A	+\$0
DKS dark seafoam <input type="checkbox"/> A	+\$0

Step 7. Edge Finish

For fully upholstered shell (U)

ZF white <input type="checkbox"/> A	+\$0
111 parchment <input type="checkbox"/> A	+\$0
BK black <input type="checkbox"/> A	+\$0

Step 8. Upholstery

For fully upholstered shell (U)

Price Category 2	+\$31
Price Category 4	+\$41
Price Category 5	+\$73
Price Category 7	+\$138
Price Category B	+\$54
Price Category H	+\$254
Price Category K	+\$456

Eames® Upholstered Molded
Fiberglass Side Chair *continued*

HermanMiller Ancillary–Side & Stacking Chairs

<i>For upholstered seat pad (P)</i>	
Price Category 1	+\$0
Price Category 2	+\$31
Price Category 3	+\$36
Price Category 4	+\$41
Price Category 5	+\$73
Price Category (Geiger) 5	+\$73
Price Category (Geiger) 6	+\$97
Price Category 7	+\$138
Price Category (Geiger) 7	+\$133
Price Category 8	+\$181
Price Category 9	+\$259
Price Category 10	+\$281
Price Category 11	+\$314
Price Category B	+\$54
Price Category C	+\$60
Price Category D	+\$83
Price Category F	+\$154
Price Category G	+\$204
Price Category I	+\$300
Price Category J	+\$348
Price Category K	+\$456
Price Category R	+\$793

Step 9. Glide Option

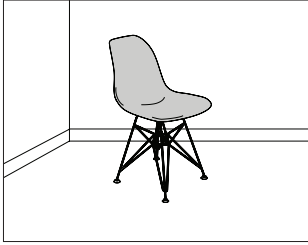
<i>For 4-leg base (X.)</i>	
E7 metal swivel glide <input type="checkbox"/>	+\$50
E8 standard glide <input type="checkbox"/>	+\$0
E9 standard glide with felt bottom <input type="checkbox"/>	+\$25

<i>For wire leg (R.)</i>	
E8 standard glide <input type="checkbox"/>	+\$0
E9 standard glide with felt bottom <input type="checkbox"/>	+\$25

<i>For dowel base (W.)</i>	
E8 standard glide <input type="checkbox"/>	+\$0
E9 standard glide with felt bottom <input type="checkbox"/>	+\$25

Eames® Molded Wood Side Chair

DWSR.
DWSW.
DWSX.



Product Information

Description

This side chair has a molded one-piece construction with waterfall edges, and measures .260" in thickness. Base is attached by non-removable wooden shock mounts. Base options include a wire base, 4-leg base, or a dowel-leg base. The dowel-leg base has non-adjustable nylon glides.

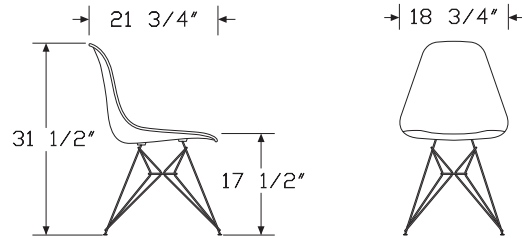
Notes

Ebony (EN) dowel legs are stained ash wood with black glides. Walnut (OU) dowel legs are walnut wood with black glides.

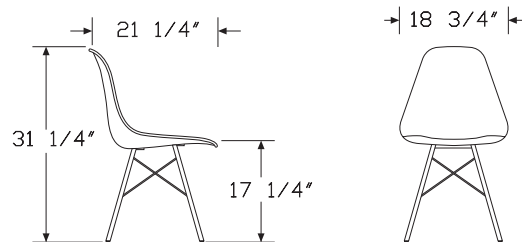
Natural maple (UL) and white ash (A2) dowel legs have white glides.

Dowel base has glide option to include felt bottom.

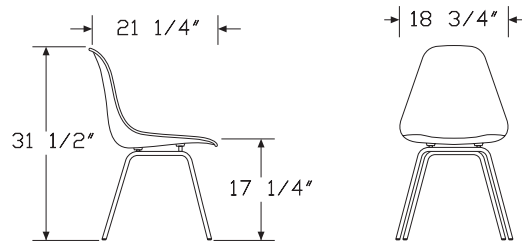
Dimensions



Wire Base



Dowel-Leg Base



4-Leg Base

Specification Information

Step 1.

DWS A

Step 2. Base Option

- R. wire base
- W. dowel base A
- X. 4-leg base A

Prices for Steps 1-2.

DWSR.	\$1104
DWSW.	\$1316
DWSX.	\$1058

Step 3. Base Finish

For wire base (R.) or 4-leg base (X.)

91	white (CP) <input type="checkbox"/> A	+\$0
BK	black	+\$0
47	trivalent chrome	+\$20

For dowel base (W.)

91	white (CP) <input type="checkbox"/> A	+\$0
BK	black <input type="checkbox"/> A	+\$0
47	trivalent chrome <input type="checkbox"/> A	+\$20

Step 4. Dowel Finish

For dowel base (W.)

UL	natural maple <input type="checkbox"/> A	+\$0
A2	white ash <input type="checkbox"/> A	+\$30
EN	ebony <input type="checkbox"/> A	+\$30
OU	walnut	+\$30

Step 5. Seat/Back Finish

EN	ebony <input type="checkbox"/> A	+\$116
OU	walnut <input type="checkbox"/> A	+\$0
A2	white ash <input type="checkbox"/> A	+\$116
9N	santos palisander	+\$289

Step 6. Glide Option

For 4-leg base (X.)

E7	metal swivel glide <input type="checkbox"/> A	+\$50
E8	standard glide	+\$0
E9	standard glide with felt bottom	+\$25

HermanMiller Ancillary-Side & Stacking Chairs

Eames® Molded Wood Side Chair

continued

HermanMiller Ancillary-Side & Stacking Chairs

For wire base (R.)

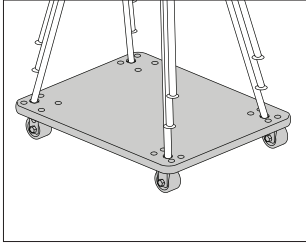
E8	standard glide <input type="checkbox"/> A	+\$0
E9	standard glide with felt bottom <input type="checkbox"/> A	+\$25

For dowel base (W.)

E8	standard glide <input type="checkbox"/> A	+\$0
E9	standard glide with felt bottom <input type="checkbox"/> A	+\$25

Eames® Side Chair Stacking Base
Dolly

DOLLY.



Product Information

Description

This chair dolly stores and transports up to 28 Eames® plastic side chairs with the stacking/ganging base option. It is made of plywood and has 2 locking and 2 non-locking casters.

Notes

Single dolly supports 1 stack of 14 chairs. Double dolly supports 2 stacks of 14 chairs.

Dimensions

Specification Information

Step 1.

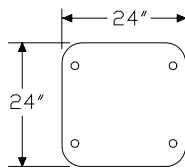
DOLLY.

Step 2. Type

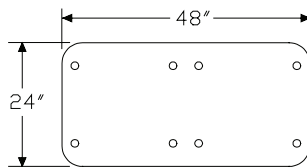
- A single
- B double

Prices for Steps 1-2.

DOLLY. A	\$707
B	\$817



A (Single)



B (Double)

Eames® Wire Chair Herman Miller x HAY

DKC.



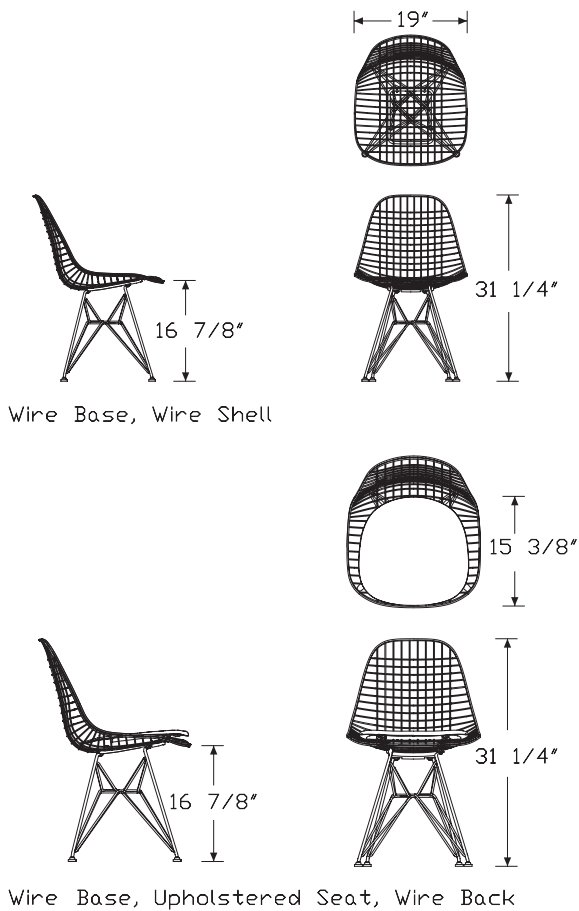
HermanMiller Ancillary-Side & Stacking Chairs

Product Information

Description

This chair has a wire shell, or a wire shell with upholstered seat and wire back. Suitable for indoor or outdoor use.

Dimensions



Wire Base, Wire Shell

Wire Base, Upholstered Seat, Wire Back

Specification Information

Step 1.

DKC. A

Step 2. Seat/Back Material

- 0 wire shell
- 5 wire shell/upholstered seat/wire back

Prices for Steps 1-2.

DKC.	0	\$1279
	5	\$1701

Step 3. Color Finish

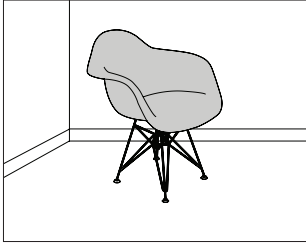
PDY	powder yellow	<input type="checkbox"/> A	+\$0
MNT	mint green	<input type="checkbox"/> A	+\$0
RND	iron red	<input type="checkbox"/> A	+\$0
BCB	black blue	<input type="checkbox"/> A	+\$0

Step 4. Glide Option

E8	standard glide	<input type="checkbox"/> A	+\$0
E9	standard glide with felt bottom	<input type="checkbox"/> A	+\$25

Eames® Molded Plastic Armchair

DAR.
DAW.
DAX.



Product Information

Description

This chair has a single-piece shell with waterfall edges and molded back, seat and arms. Base options include a wire base, dowel base, or a 4-leg base. The dowel base has non-adjustable nylon glides.

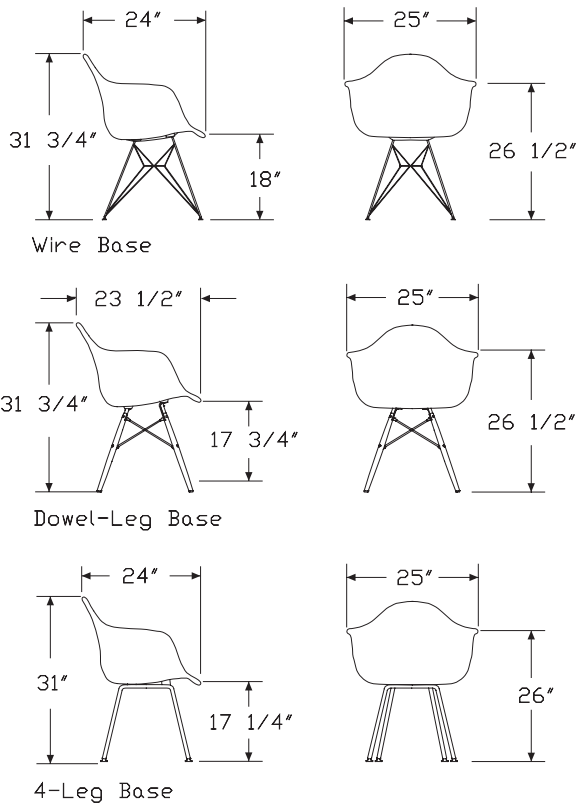
Notes

Ebony (EN) and walnut (OU) dowel legs are stained ash wood with black glides.

Natural maple (UL) and white ash (A2) dowel legs have white glides.

Dowel base has glide option to include felt bottom.

Dimensions



Specification Information

Step 1.

DA

Step 2. Base Option

- R. wire base with nonupholstered shell
- W. dowel base with nonupholstered shell
- X. 4-leg base with nonupholstered shell

Prices for Steps 1-2.

DAR.	\$734
DAW.	\$946
DAX.	\$683

Step 3. Base Finish

For wire base with nonupholstered shell (R.) or 4-leg base with nonupholstered shell (X.)

91	white (CP) <input type="checkbox"/> A	+\$0
BK	black	+\$0
47	trivalent chrome	+\$20

For dowel base with nonupholstered shell (W.)

91	white (CP) <input type="checkbox"/> A	+\$0
BK	black	+\$0
47	trivalent chrome <input type="checkbox"/> A	+\$20

Step 4. Dowel Finish

For dowel base with nonupholstered shell (W.)

UL	natural maple	+\$0
A2	white ash <input type="checkbox"/> A	+\$30
EN	ebony	+\$30
OU	walnut	+\$30
WHN	natural white oak <input type="checkbox"/> A	+\$30

Eames® Molded Plastic Armchair

continued

HermanMiller Ancillary–Side & Stacking Chairs

Step 5. Seat/Back Finish		
BKR	brick red	+\$0
BLG	blue green	+\$0
CC1	cocoa	+\$0
DYL	deep yellow	+\$0
EVG	evergreen	+\$0
LTY	light grey	+\$0
MGR	medium grey	+\$0
PBU	pale blue	+\$0
RYG	grey green	+\$0
ZA	black	+\$0
ZE	red orange	+\$0
ZF	white	+\$0

Step 6. Glide Option		
----------------------	--	--

For wire base with nonupholstered shell (R.) or 4-leg base with nonupholstered shell (X.)

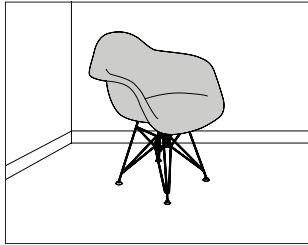
E8	standard glide	+\$0
E9	standard glide with felt bottom	+\$25

For dowel base with nonupholstered shell (W.)

E8	standard glide	+\$0
E9	standard glide with felt bottom	+\$25

Eames® Molded Plastic Armchair
Herman Miller x HAY

DAC.

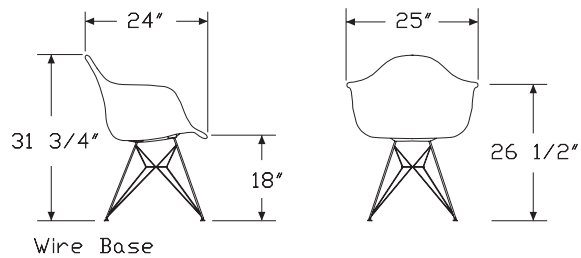


Product Information

Description

This wire base chair has a single-piece shell with waterfall edges and molded back, seat and arms. Standard glides can be ordered with or without felt.

Dimensions



Specification Information

Step 1.

DAC. [A] \$734

Step 2. Color Finish

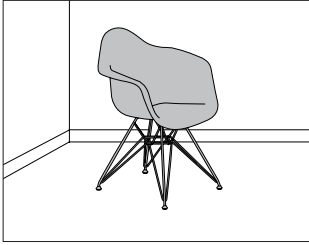
PDY	powder yellow [A]	+\$0
MNT	mint green [A]	+\$0
RND	iron red [A]	+\$0
TFE	toffee [A]	+\$0
BCB	black blue [A]	+\$0
PDK	powder pink [A]	+\$0

Step 3. Glide Option

E8	standard glide [A]	+\$0
E9	standard glide with felt bottom [A]	+\$25

Eames® Molded Fiberglass Armchair

DFAR.
DFAW.
DFAX.



HermanMiller Ancillary-Side & Stacking Chairs

Product Information

Description

This chair has a single-piece nonupholstered shell with waterfall edges and molded fiberglass back, seat and arms. Base options include a wire base, dowel base, or a 4-leg base. The dowel base has nonadjustable nylon glides. Standard glides can be ordered with or without felt. Ships assembled.

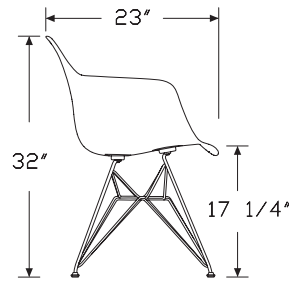
Notes

Ebony (EN) and walnut (OU) dowel legs are stained ash wood with black glides.

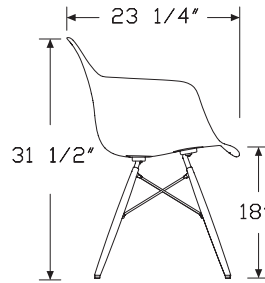
Natural maple (UL) and white ash (A2) dowel legs have white glides.

Dowel base has glide option to include felt bottom.

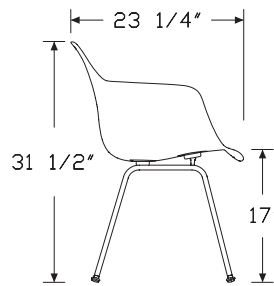
Dimensions



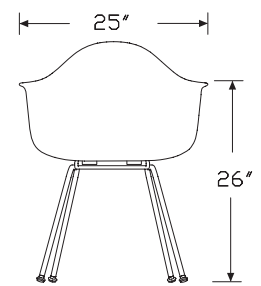
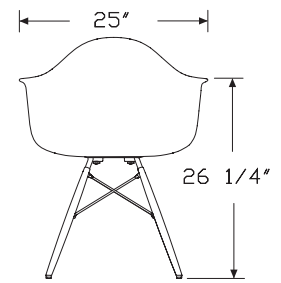
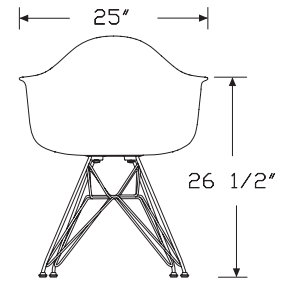
Wire Base



Dowel-Leg Base



4-Leg Base



Eames® Molded Fiberglass Armchair

continued

Specification Information

Step 1.

DFA A

Step 2. Base Option

- R. wire base with nonupholstered shell
- W. dowel base with nonupholstered shell
- X. 4-leg base with nonupholstered shell

Prices for Steps 1-2.

DFAR.	\$1269
DAFW.	\$1505
DFAX.	\$1211

Step 3. Base Finish

For wire base with nonupholstered shell (R.) or 4-leg base with nonupholstered shell (X.)

91	white (CP)	+\$0
BK	black	+\$0
47	trivalent chrome	+\$20

For dowel base with nonupholstered shell (W.)

91	white (CP)	+\$0
BK	black	+\$0
47	trivalent chrome	+\$20

Step 4. Dowel Finish

For dowel base with nonupholstered shell (W.)

UL	natural maple	+\$0
A2	white ash	+\$30
EN	ebony	+\$30
OU	walnut	+\$30
WHN	natural white oak <input type="checkbox"/> A	+\$30

Step 5. Seat/Back Finish

111	parchment	+\$0
112	elephant hide grey	+\$0
114	red orange	+\$0
117	navy blue	+\$0
118	black	+\$0
TCA	terra cotta <input type="checkbox"/> A	+\$0
DKS	dark seafoam <input type="checkbox"/> A	+\$0

Step 6. Glide Option

For wire base with nonupholstered shell (R.) or 4-leg base with nonupholstered shell (X.)

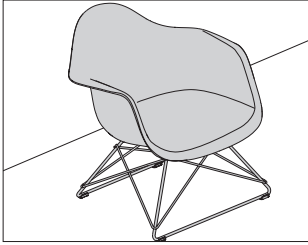
E8	standard glide	+\$0
E9	standard glide with felt bottom	+\$25

For dowel base with nonupholstered shell (W.)

E8	standard glide	+\$0
E9	standard glide with felt bottom	+\$25

Eames® Low Wire Base, Arm Shell

LARF.
LARP.



HermanMiller Ancillary-Side & Stacking Chairs

Product Information

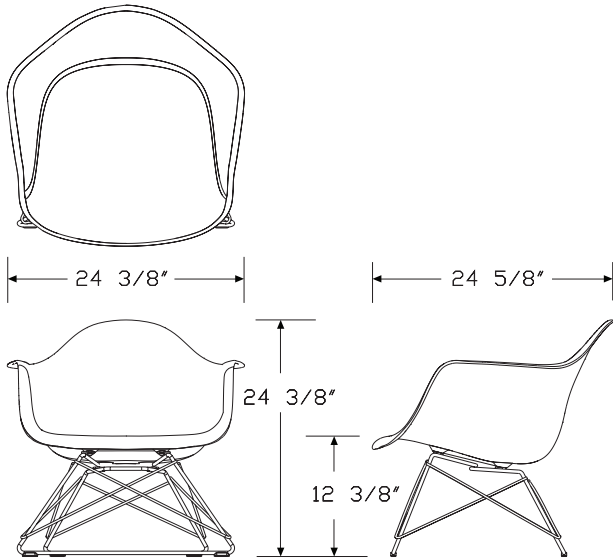
Description

This chair has a single-piece molded fiberglass or plastic shell with waterfall edges on a low wire base. Options include nonupholstered, upholstered seat, back and arms, or an upholstered seat pad. Ships assembled.

Notes

For base finishes black (BK) and trivalent chrome (47), glides are black.
For white (91) base finish, glides are white.

Dimensions



Specification Information

Step 1.

LAR A

Step 2. Material

P. plastic A

F. fiberglass A

Step 3. Upholstery

N nonupholstered A

P upholstered seat pad A

U fully upholstered shell A

Prices for Steps 1-3.

LARF. N	\$770
P	\$935
U	\$1114

LARF. N	\$1203
P	\$1372
U	\$1553

Step 4. Base Finish

91 white (CP) <input type="checkbox"/> A	+\$0
BK black <input type="checkbox"/> A	+\$0
47 trivalent chrome <input type="checkbox"/> A	+\$20

Step 5. Back Finish

For plastic (P.)

BKR brick red <input type="checkbox"/> A	+\$0
BLG blue green <input type="checkbox"/> A	+\$0
CC1 cocoa <input type="checkbox"/> A	+\$0
DYL deep yellow <input type="checkbox"/> A	+\$0
EVG evergreen <input type="checkbox"/> A	+\$0
LTY light grey <input type="checkbox"/> A	+\$0
MGR medium grey <input type="checkbox"/> A	+\$0
PBU pale blue <input type="checkbox"/> A	+\$0
RYG grey green <input type="checkbox"/> A	+\$0
ZA black <input type="checkbox"/> A	+\$0
ZE red orange <input type="checkbox"/> A	+\$0
ZF white <input type="checkbox"/> A	+\$0

Eames® Low Wire Base, Arm Shell

continued

For fiberglass (F.)

111	parchment <input type="checkbox"/>	+\$0
112	elephant hide grey <input type="checkbox"/>	+\$0
114	red orange <input type="checkbox"/>	+\$0
117	navy blue <input type="checkbox"/>	+\$0
118	black <input type="checkbox"/>	+\$0
TCA	terra cotta <input type="checkbox"/>	+\$0
DKS	dark seafoam <input type="checkbox"/>	+\$0

Step 6. Edge Finish

For fully upholstered shell (U)

111	parchment <input type="checkbox"/>	+\$0
BK	black <input type="checkbox"/>	+\$0
ZF	white <input type="checkbox"/>	+\$0

Step 7. Fabric

For fully upholstered shell (U)

Price Category 7	+\$133
Price Category 2	+\$31
Price Category 4	+\$41
Price Category 5	+\$44
Price Category B	+\$36
Price Category J	+\$348
Price Category K	+\$456

For upholstered seat pad (P)

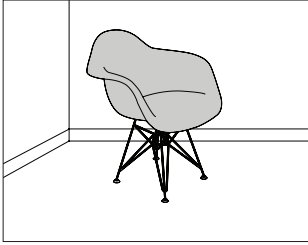
Price Category 4	+\$41
Price Category 1	+\$0
Price Category 2	+\$31
Price Category 3	+\$36
Price Category 5	+\$73
Price Category (Geiger) 5	+\$73
Price Category (Geiger) 6	+\$97
Price Category 7	+\$133
Price Category (Geiger) 7	+\$133
Price Category 8	+\$175
Price Category (Geiger) 8	+\$175
Price Category 9	+\$259
Price Category 10	+\$281
Price Category 11	+\$314
Price Category B	+\$36
Price Category C	+\$60
Price Category D	+\$83
Price Category F	+\$154
Price Category H	+\$252
Price Category I	+\$300
Price Category J	+\$348
Price Category K	+\$456
Price Category R	+\$793

Step 8. Glide Option

E8	standard glide <input type="checkbox"/>	+\$0
----	-----------------------------------------	------

Eames® Upholstered Molded Plastic Armchair

DAR.
DAW.
DAX.



HermanMiller Ancillary-Side & Stacking Chairs

Product Information

Description

This chair has a single-piece molded plastic shell with waterfall edges and upholstered back, seat and arms or an upholstered seat pad. Base options include a wire base, dowel base, or a 4-leg base. The dowel base has non-adjustable nylon glides. Standard glides can be ordered with or without felt. Ships assembled.

Notes

Ebony (EN) and walnut (OU) dowel legs are stained ash wood with black glides.

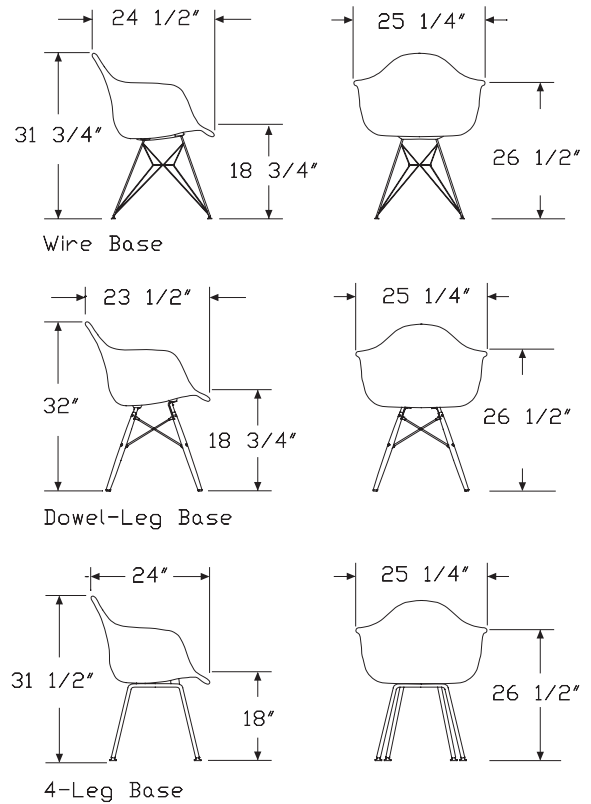
Natural maple (UL) and white ash (A2) dowel legs have white glides.

Dowel base has glide option to include felt bottom.

Seat pad upholstered with textiles or leather for indoor use only.

For upholstered seat pad (P), Customer's Own Material (COM) requires 1/2 yard. Customer's Own Leather (COL) requires 9 square feet. See Order Information in appendices.

Dimensions



Eames® Upholstered Molded Plastic
Armchair *continued*

Specification Information

Step 1.

DA

Step 2. Base Option

- R. wire leg
- W. dowel base
- X. 4-leg base

Step 3. Upholstery

- P upholstered seat pad
- U fully upholstered shell

Prices for Steps 1-3.

DAR.	P	\$903
	U	\$1087

DAW.	P	\$1116
	U	\$1299

DAX.	P	\$854
	U	\$1038

Step 4. Base Finish

For wire leg (R.) or 4-leg base (X.)

91	white (CP) <input type="checkbox"/>	+\$0
BK	black <input type="checkbox"/>	+\$0
47	trivalent chrome <input type="checkbox"/>	+\$20

For dowel base (W.)

91	white (CP) <input type="checkbox"/>	+\$0
BK	black <input type="checkbox"/>	+\$0
47	trivalent chrome <input type="checkbox"/>	+\$20

Step 5. Dowel Finish

For dowel base (W.)

UL	natural maple <input type="checkbox"/>	+\$0
A2	white ash <input type="checkbox"/>	+\$30
EN	ebony <input type="checkbox"/>	+\$30
OU	walnut <input type="checkbox"/>	+\$30
WHN	natural white oak <input type="checkbox"/>	+\$30

Step 6. Back Finish

BKR	brick red <input type="checkbox"/>	+\$0
BLG	blue green <input type="checkbox"/>	+\$0
CC1	cocoa <input type="checkbox"/>	+\$0
DYL	deep yellow <input type="checkbox"/>	+\$0
EVG	evergreen <input type="checkbox"/>	+\$0
LTY	light grey <input type="checkbox"/>	+\$0
MGR	medium grey <input type="checkbox"/>	+\$0
PBU	pale blue <input type="checkbox"/>	+\$0
RYG	grey green <input type="checkbox"/>	+\$0
ZA	black <input type="checkbox"/>	+\$0
ZE	red orange <input type="checkbox"/>	+\$0
ZF	white <input type="checkbox"/>	+\$0

Step 7. Edge Finish

For fully upholstered shell (U)

111	parchment <input type="checkbox"/>	+\$0
BK	black <input type="checkbox"/>	+\$0
ZF	white <input type="checkbox"/>	+\$0

Step 8. Fabric

For fully upholstered shell (U)

Price Category J	+\$348
Price Category 2	+\$44
Price Category 4	+\$50
Price Category 5	+\$56
Price Category B	+\$36
Price Category H	+\$254
Price Category K	+\$456

Eames® Upholstered Molded Plastic
 Armchair *continued*

HermanMiller Ancillary—Side & Stacking Chairs

For upholstered seat pad (P)

Price Category 1	+\$0
Price Category 2	+\$31
Price Category 2	+\$31
Price Category 3	+\$36
Price Category 4	+\$41
Price Category 5	+\$73
Price Category (Geiger) 5	+\$73
Price Category 7	+\$133
Price Category (Geiger) 7	+\$133
Price Category 8	+\$175
Price Category 9	+\$259
Price Category 10	+\$281
Price Category 11	+\$314
Price Category B	+\$36
Price Category C	+\$60
Price Category D	+\$83
Price Category F	+\$154
Price Category G	+\$204
Price Category I	+\$300
Price Category K	+\$456
Price Category R	+\$793

Step 9. Glide Option

For wire leg (R.) or 4-leg base (X.)

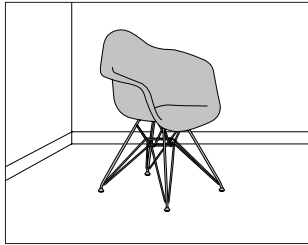
E8	standard glide	+\$0
E9	standard glide with felt bottom	+\$25

For dowel base (W.)

E8	standard glide <input type="checkbox"/> A	+\$0
E9	standard glide with felt bottom <input type="checkbox"/> A	+\$25

Eames® Upholstered Molded
Fiberglass Armchair

DFAR.
DFAW.
DFAX.



Product Information

Description

This chair has a single-piece molded fiberglass shell with waterfall edges and upholstered back, seat and arms or an upholstered seat pad. Base options include a wire base, dowel base, or 4-leg base. The dowel base has nonadjustable nylon glides. Standard glides can be ordered with or without felt. Ships assembled.

Notes

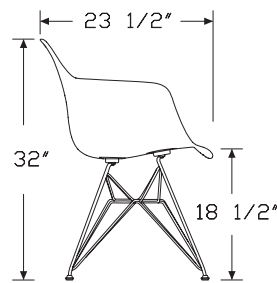
Ebony (EN) and walnut (OU) dowel legs are stained ash wood with black glides.

Natural maple (UL) and white ash (A2) dowel legs have white glides.

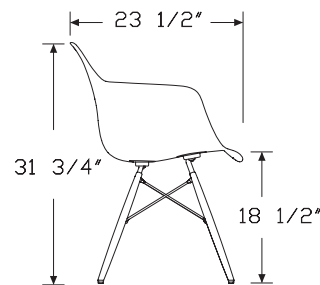
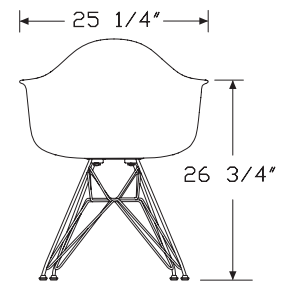
Dowel base has glide option to include felt bottom.

For upholstered seat pad (P), Customer's Own Material (COM) requires 1/2 yard. Customer's Own Leather (COL) requires 9 square feet. See Order Information in appendices.

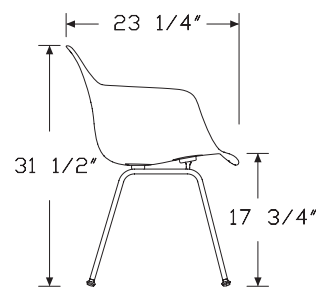
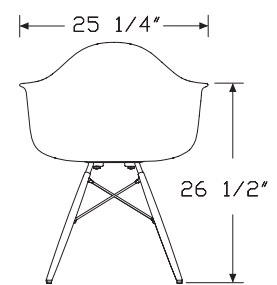
Dimensions



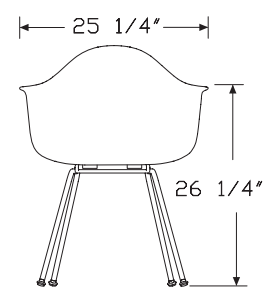
Wire Base



Dowel-Leg Base



4-Leg Base



Eames® Upholstered Molded Fiberglass Armchair *continued*

Specification Information

Step 1.

DFA A

Step 2. Base Option

R. wire leg A

W. dowel base A

X. 4-leg base A

Step 3. Upholstery

U fully upholstered shell A

P upholstered seat pad A

Prices for Steps 1-3.

DFAR. U	\$1663
P	\$1456

DFAW. U	\$1902
P	\$1695

DFAX. U	\$1609
P	\$1402

Step 4. Base Finish

For wire leg (R.) or 4-leg base (X.)

91 white (CP) <input type="checkbox"/> A	+\$0
BK black <input type="checkbox"/> A	+\$0
47 trivalent chrome <input type="checkbox"/> A	+\$20

For dowel base (W.)

91 white (CP) <input type="checkbox"/> A	+\$0
BK black <input type="checkbox"/> A	+\$0
47 trivalent chrome <input type="checkbox"/> A	+\$20

Step 5. Dowel Finish

For dowel base (W.)

UL natural maple <input type="checkbox"/> A	+\$0
A2 white ash <input type="checkbox"/> A	+\$30
EN ebony <input type="checkbox"/> A	+\$30
OU walnut <input type="checkbox"/> A	+\$30
WHN natural white oak <input type="checkbox"/> A	+\$30

Step 6. Back Finish

111 parchment <input type="checkbox"/> A	+\$0
112 elephant hide grey <input type="checkbox"/> A	+\$0
114 red orange <input type="checkbox"/> A	+\$0
117 navy blue <input type="checkbox"/> A	+\$0
118 black <input type="checkbox"/> A	+\$0
TCA terra cotta <input type="checkbox"/> A	+\$0
DKS dark seafoam <input type="checkbox"/> A	+\$0

Step 7. Edge Finish

For fully upholstered shell (U)

111 parchment <input type="checkbox"/> A	+\$0
BK black <input type="checkbox"/> A	+\$0
ZF white <input type="checkbox"/> A	+\$0

Step 8. Fabric

For fully upholstered shell (U)

Price Category 2	+\$44
Price Category 4	+\$50
Price Category 5	+\$56
Price Category B	+\$54
Price Category H	+\$254
Price Category J	+\$348
Price Category K	+\$456

Eames® Upholstered Molded
Fiberglass Armchair *continued*

For upholstered seat pad (P)

Price Category 1	+\$0
Price Category 2	+\$31
Price Category 3	+\$36
Price Category 4	+\$41
Price Category 5	+\$73
Price Category (Geiger) 5	+\$73
Price Category (Geiger) 6	+\$97
Price Category 7	+\$133
Price Category (Geiger) 7	+\$133
Price Category 8	+\$175
Price Category 9	+\$259
Price Category 10	+\$281
Price Category 11	+\$314
Price Category B	+\$36
Price Category C	+\$60
Price Category D	+\$83
Price Category F	+\$154
Price Category G	+\$204
Price Category I	+\$300
Price Category J	+\$348
Price Category K	+\$456
Price Category R	+\$793

Step 9. Glide Option

For wire leg (R.) or 4-leg base (X.)

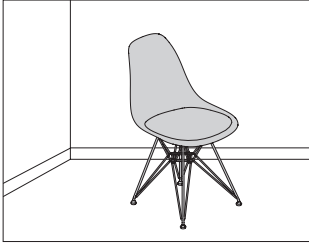
E8	standard glide <input type="checkbox"/>	+\$0
E9	standard glide with felt bottom <input type="checkbox"/>	+\$25

For dowel base (W.)

E8	standard glide <input type="checkbox"/>	+\$0
E9	standard glide with felt bottom <input type="checkbox"/>	+\$25

Eames® Upholstered Molded Wood Side Chair

DWSR.
DWSW.
DWSX.



HermanMiller Ancillary-Side & Stacking Chairs

Product Information

Description

This side chair has a molded one-piece construction with waterfall edges, and measures .260" in thickness. It comes with an attached upholstered seat pad that is easily removable for cleaning or reupholstery. Base is attached by non-removable wooden shock mounts. Base options include a wire base, 4-leg base, or a dowel-leg base. The dowel-leg base has non-adjustable nylon glides.

Notes

Ebony (EN) and walnut (OU) dowel legs are stained ash wood with black glides.

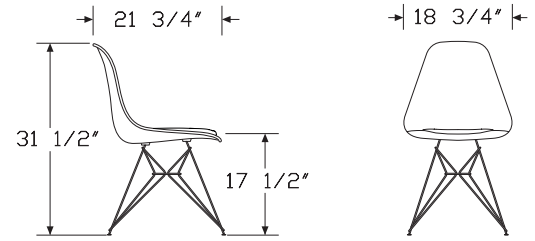
Natural maple (UL) and white ash (A2) dowel legs have white glides.

Dowel base has glide option to include felt bottom.

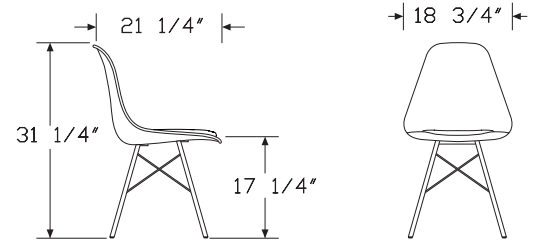
Seat pad is upholstered with textiles or leather for indoor use only.

Customer's Own Material (COM) requires 1/2 yard. Customer's Own Leather (COL) requires 9 square feet. See Order Information in appendices.

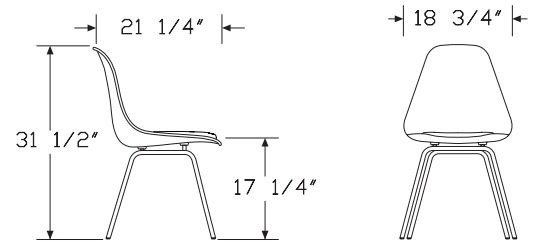
Dimensions



Wire Base



Dowel-Leg Base



4-Leg Base

Eames® Upholstered Molded Wood
Side Chair *continued*

Specification Information

Step 1.

DWS

Step 2. Base Option

- R. wire base
- W. dowel base
- X. 4-leg base

Step 3. Upholstery

P upholstered seat pad

Prices for Steps 1-3.

DWSR. P	\$1277
DWSW. P	\$1489
DWSX. P	\$1227

Step 4. Base Finish

For wire base (R.) or 4-leg base (X.)

91 white (CP) <input type="checkbox"/>	+\$0
BK black	+\$0
47 trivalent chrome	+\$20

For dowel base (W.)

91 white (CP) <input type="checkbox"/>	+\$0
BK black <input type="checkbox"/>	+\$0
47 trivalent chrome <input type="checkbox"/>	+\$20

Step 5. Dowel Finish

For dowel base (W.)

UL natural maple <input type="checkbox"/>	+\$0
A2 white ash <input type="checkbox"/>	+\$30
EN ebony <input type="checkbox"/>	+\$30
OU walnut	+\$30

Step 6. Seat/Back Finish

EN ebony <input type="checkbox"/>	+\$116
OU walnut <input type="checkbox"/>	+\$0
A2 white ash <input type="checkbox"/>	+\$116
9N santos palisander	+\$289

Step 7. Upholstery

Price Category 1	+\$0
Price Category 2	+\$31
Price Category 3	+\$36
Price Category 4	+\$41
Price Category 5	+\$73
Price Category (Geiger) 5	+\$73
Price Category (Geiger) 6	+\$97
Price Category 7	+\$138
Price Category (Geiger) 7	+\$133
Price Category 8	+\$181
Price Category 9	+\$259
Price Category 10	+\$281
Price Category 11	+\$314
Price Category B	+\$36
Price Category C	+\$60
Price Category D	+\$83
Price Category F	+\$154
Price Category G	+\$204
Price Category H	+\$252
Price Category I	+\$300
Price Category J	+\$348
Price Category K	+\$456
Price Category R	+\$793

Step 8. Glide Option

For 4-leg base (X.)

E7 metal swivel glide <input type="checkbox"/>	+\$50
E8 standard glide	+\$0
E9 standard glide with felt bottom	+\$25

For wire base (R.)

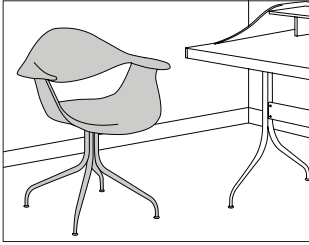
E8 standard glide <input type="checkbox"/>	+\$0
E9 standard glide with felt bottom <input type="checkbox"/>	+\$25

For dowel base (W.)

E8 standard glide <input type="checkbox"/>	+\$0
E9 standard glide with felt bottom <input type="checkbox"/>	+\$25

Nelson™ Swag Leg Armchair

DAF



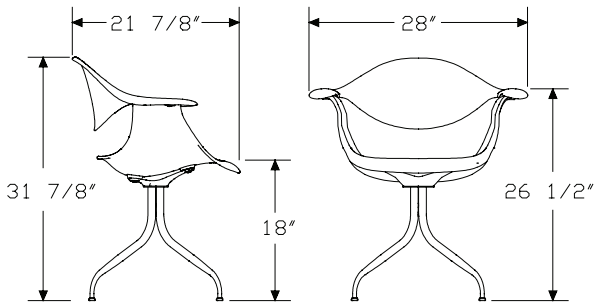
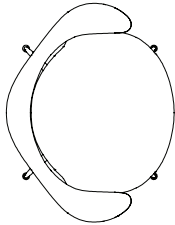
HermanMiller Ancillary-Side & Stacking Chairs

Product Information

Description

This chair has a 2-piece molded seat with arms and back, waterfall edges, a cast-aluminum base with steel-tube legs, and adjustable glides.

Dimensions



Specification Information

Step 1.

DAF A \$1046

Step 2. Base Finish

CH chrome A +\$0

Step 3. Seat Finish

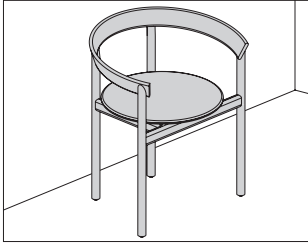
ZF white A +\$0

Step 4. Back Finish

ZF white A +\$0

Comma Chair with Arms

WA10A

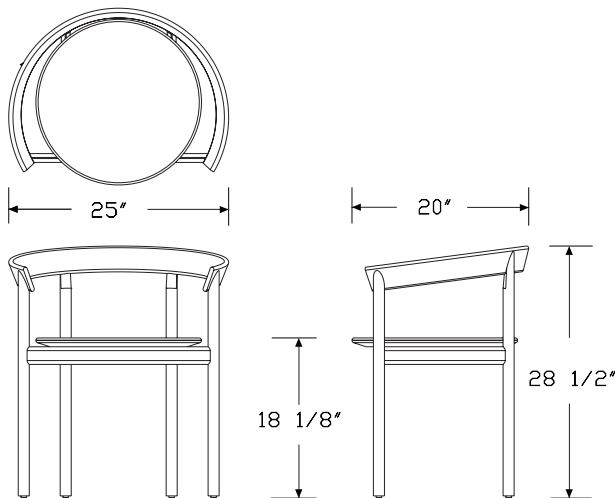


Product Information

Description

This chair with arms has a solid wood seat and frame. The back hoop is bent plywood with veneer finish. Optional upholstered seat has a wood core with 1/2" foam covered with textile or leather. All models come standard with nylon glides.

Dimensions



Specification Information

Step 1.

WA10 A

Step 2. Configuration

A Frame with Arms A

Step 3. Seat

U upholstered A

N non-upholstered A

Step 4. Frame and Back

B beech A

O oak A

Prices for Steps 1-4.

	B	O
WA10A U	\$1424	1602
N	\$1424	1602

Step 5. Frame and Back Finish

For oak (O)

WHN white oak A +\$0

For beech (B)

BSB blue stained beech A +\$0

RST red stained beech A +\$0

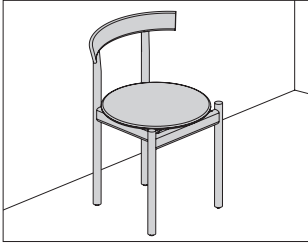
WTS white stained beech A +\$0

YRB black stained beech A +\$0

Step 6. Seat Upholstery

For upholstered (U)

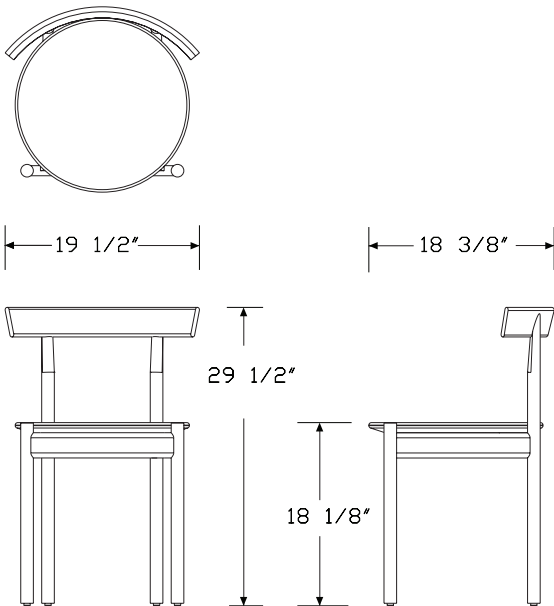
Price Category 10M +\$294



Product Information

Description
 This chair has a solid wood seat and frame. The back hoop is bent plywood with veneer finish. Optional upholstered seat has a wood core with 1/2" foam covered with textile or leather. All models come standard with nylon glides.

Dimensions



Specification Information

Step 1.

WA10 A

Step 2. Configuration

N no arms A

Step 3. Seat

U upholstered A

N non-upholstered A

Step 4. Frame and Back

B beech A

O oak A

Prices for Steps 1-4.

		B	O
WA10N	U	\$1166	1362
	N	\$1166	1362

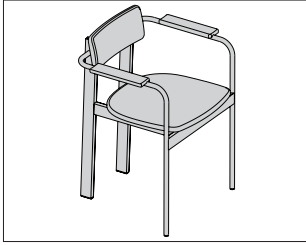
Step 5. Frame and Back Finish

For oak (O)
WHN white oak A +\$0

For beech (B)
BSB blue stained beech A +\$0
RST red stained beech A +\$0
WTS white stained beech A +\$0
YRB black stained beech A +\$0

Step 6. Seat Upholstery

For upholstered (U)
 Price Category 10M +\$294



Product Information

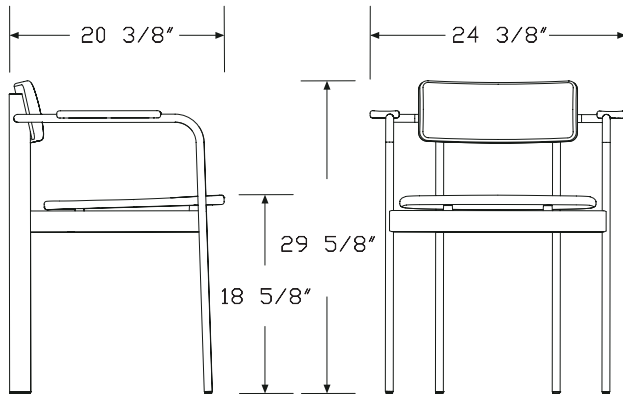
Description

This side chair with arms has a steel tube frame with a choice of solid wood, cork, or upholstered seat and back. Arm finish options include solid oak, walnut, or cork. Chair comes standard with polymer glides suitable for multiple floor surfaces.

Notes

Customer's Own Material (COM) requires 3/4 yards for the seat and 3/4 yards for the back. Customer's Own Leather (COL) requires 13 1/2 square feet for the seat and 13 1/2 square feet for the back. See Order Information in appendices.

Dimensions



Specification Information

Step 1.

LN10 A

Step 2. Frame

A frame with arms A

Step 3. Seat

O oak A

W walnut A

U upholstered A

C cork A

Step 4. Back

O oak A

W walnut A

U upholstered A

C cork A

Prices for Steps 1-4.

		O	W	U	C
LN10A	O	\$1354	1455	1422	1124
	W	\$1455	1557	1523	1227
	U	\$1422	1523	1490	1191
	C	\$1124	1227	1191	895

Step 5. Frame Finish

BK black A +\$0

WN warm grey A +\$0

DB3 glacier A +\$0

Step 6. Seat Finish

For oak (O)

WHN white oak A +\$0

For walnut (W)

OU walnut A +\$0

For cork (C)

LTC light cork A +\$0

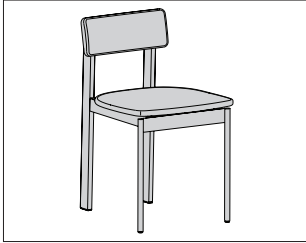
Betwixt Chair with Arms *continued*

Step 7. Seat Fabric	
<i>For upholstered (U)</i>	
Price Category 1 <input type="checkbox"/> A	+\$0
Price Category 2	+\$44
Price Category 3	+\$55
Price Category 4	+\$68
Price Category (Geiger) 4	+\$68
Price Category (Geiger) 5	+\$98
Price Category 7	+\$133
Price Category (Geiger) 7	+\$160
Price Category 9	+\$302
Price Category (Geiger) 10	+\$348
Price Category 11	+\$389
Price Category (Geiger) 11	+\$389
Price Category (Geiger) 14	+\$510
Price Category (Geiger) C	+\$50
Price Category (Geiger) D	+\$66
Price Category (Geiger) G	+\$96
Price Category (Geiger) J	+\$228

Step 8. Back Finish	
<i>For oak (O)</i>	
WHN white oak <input type="checkbox"/> A	+\$0
<i>For walnut (W)</i>	
OU walnut <input type="checkbox"/> A	+\$0
<i>For cork (C)</i>	
LTC light cork <input type="checkbox"/> A	+\$0

Step 9. Back Fabric	
<i>For upholstered (U)</i>	
Price Category 1 <input type="checkbox"/> A	+\$0
Price Category 2	+\$44
Price Category 3	+\$55
Price Category 4	+\$68
Price Category (Geiger) 4	+\$68
Price Category (Geiger) 5	+\$98
Price Category 7	+\$133
Price Category (Geiger) 7	+\$160
Price Category 9	+\$302
Price Category (Geiger) 10	+\$348
Price Category 11	+\$389
Price Category (Geiger) 11	+\$389
Price Category (Geiger) 14	+\$510
Price Category (Geiger) C	+\$50
Price Category (Geiger) D	+\$66
Price Category (Geiger) G	+\$96
Price Category (Geiger) J	+\$228

Step 10. Arm Finish	
OU walnut <input type="checkbox"/> A	+\$0
WHN white oak <input type="checkbox"/> A	+\$0
LTC light cork <input type="checkbox"/> A	+\$0



Product Information

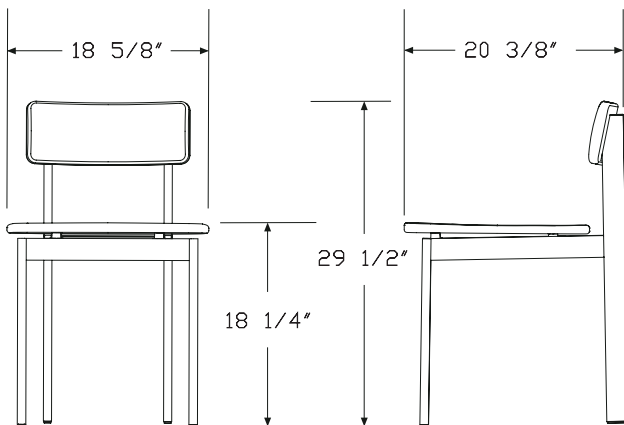
Description

This side chair has a steel tube frame with a choice of solid wood, cork, or upholstered seat and back. Chair comes standard with polymer glides suitable for multiple floor surfaces.

Notes

Customer's Own Material (COM) requires 3/4 yards for the seat and 3/4 yards for the back. Customer's Own Leather (COL) requires 13 1/2 square feet for the seat and 13 1/2 square feet for the back. See Order Information in appendices.

Dimensions



Specification Information

Step 1.

LN10 A

Step 2. Frame

N no arm A

Step 3. Seat

O oak A

W walnut A

U upholstered A

C cork A

Step 4. Back

C cork A

O oak A

U upholstered A

W walnut A

Prices for Steps 1-4.

		C	O	U	W
LN10N	O	\$1017	1219	1286	1319
	W	\$1118	1319	1389	1422
	U	\$1084	1286	1354	1389
	C	\$814	1017	1084	1118

Step 5. Frame Finish

BK black A +\$0

WN warm grey A +\$0

DB3 glacier A +\$0

Step 6. Seat Finish

For oak (O)

WHN white oak A +\$0

For walnut (W)

OU walnut A +\$0

For cork (C)

LTC light cork A +\$0

Betwixt Chair, Armless *continued*

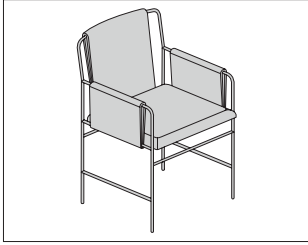
Step 7. Seat Fabric	
<i>For upholstered (U)</i>	
Price Category 1 <input type="checkbox"/> A	+\$0
Price Category 2	+\$44
Price Category 3	+\$55
Price Category 4	+\$68
Price Category (Geiger) 4	+\$68
Price Category (Geiger) 5	+\$98
Price Category 7	+\$133
Price Category (Geiger) 7	+\$160
Price Category 9	+\$302
Price Category (Geiger) 10	+\$348
Price Category 11	+\$389
Price Category (Geiger) 11	+\$389
Price Category (Geiger) 14	+\$510
Price Category (Geiger) C	+\$50
Price Category (Geiger) D	+\$66
Price Category (Geiger) G	+\$96
Price Category (Geiger) J	+\$228

Step 8. Back Finish	
<i>For oak (O)</i>	
WHN white oak <input type="checkbox"/> A	+\$0
<i>For walnut (W)</i>	
OU walnut <input type="checkbox"/> A	+\$0
<i>For cork (C)</i>	
LTC light cork <input type="checkbox"/> A	+\$0

Step 9. Back Fabric	
<i>For upholstered (U)</i>	
Price Category 1 <input type="checkbox"/> A	+\$0
Price Category 2	+\$44
Price Category 3	+\$55
Price Category 4	+\$68
Price Category (Geiger) 4	+\$68
Price Category (Geiger) 5	+\$98
Price Category 7	+\$133
Price Category (Geiger) 7	+\$160
Price Category 9	+\$302
Price Category (Geiger) 10	+\$348
Price Category 11	+\$389
Price Category (Geiger) 11	+\$389
Price Category (Geiger) 14	+\$510
Price Category (Geiger) C	+\$50
Price Category (Geiger) D	+\$66
Price Category (Geiger) G	+\$96
Price Category (Geiger) J	+\$228

Envelope® Chair

SBEV-



Product Information

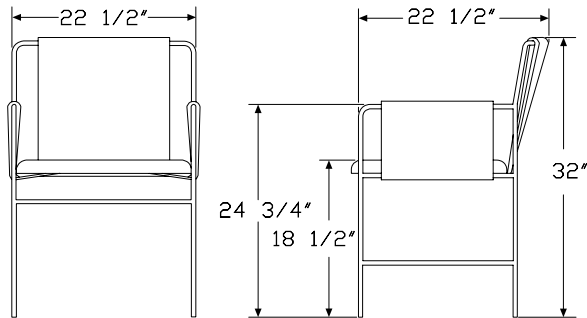
Description

This chair has a welded tubular steel frame. The seat is foam and Dacron® over plywood.

Notes

Customers Own Material (COM) requires 2½yards. Customers Own Leather (COL) requires 40 square feet. See Order Information in Appendices.

Dimensions



Specification Information

Step 1.

SBEV-1020 [A] \$2021

Step 2. Upholstery

Price Category 1	+\$0
Price Category (Geiger) 1	+\$121
Price Category 2	+\$146
Price Category (Geiger) 2	+\$146
Price Category 3	+\$184
Price Category (Geiger) 3	+\$184
Price Category 4	+\$223
Price Category (Geiger) 4	+\$223
Price Category 5	+\$325
Price Category (Geiger) 5	+\$325
Price Category (Geiger) 6	+\$427
Price Category (Geiger) 7	+\$529
Price Category (Geiger) 8	+\$810
Price Category 9	+\$1006
Price Category (Geiger) 9	+\$1006
Price Category (Geiger) 10	+\$1157
Price Category (Geiger) 11	+\$1296
Price Category (Geiger) A	+\$154
Price Category (Geiger) C	+\$181
Price Category D	+\$210
Price Category (Geiger) D	+\$210
Price Category (Geiger) E	+\$236
Price Category F	+\$265
Price Category (Geiger) F	+\$265
Price Category G	+\$283
Price Category (Geiger) G	+\$293
Price Category (Geiger) H	+\$320
Price Category (Geiger) I	+\$647
Price Category (Geiger) J	+\$362
Price Category (Geiger) K	+\$403
Price Category (Geiger) L	+\$445
Price Category (Geiger) M	+\$502
Price Category (Geiger) N	+\$557
Price Category (Geiger) O	+\$1314
Price Category (Geiger) P	+\$612
Price Category (Geiger) Q	+\$1236
Price Category (Geiger) R	+\$2287
Price Category (Geiger) S	+\$2458
Price Category (Geiger) T	+\$2627
Price Category (Geiger) U	+\$2797
Price Category (Geiger) V	+\$2966
Price Category (Geiger) Z	+\$2554

HermanMiller Ancillary-Side & Stacking Chairs

Envelope® Chair *continued*

HermanMiller Ancillary-Side & Stacking Chairs

Price Category (Geiger) COL	<input type="checkbox"/>	+\$216
Price Category (Geiger) COM	<input type="checkbox"/>	+\$0

Step 3. Base Finish

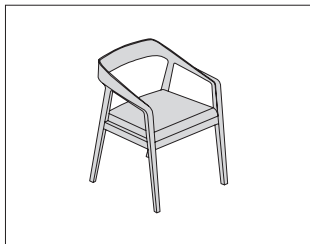
CHR	chrome	<input type="checkbox"/>	+\$0
SAC	satin chrome	<input type="checkbox"/>	+\$0

Step 4. Fire Retardancy

NOCAL	not fire retardant	<input type="checkbox"/>	+\$0
133	fire retardant	<input type="checkbox"/>	+\$163

Full Twist™ Guest Chair

SFT1A
SFT1M
SFT1N
SFT1W



Product Information

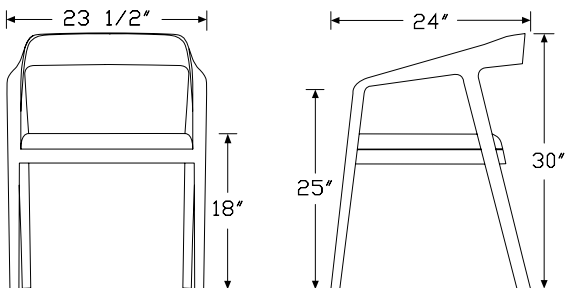
Description

This chair has an upholstered seat and a walnut or maple frame.

Notes

COM/COL requires 3/4 yard/13 1/2 square feet.

Dimensions



Specification Information

Step 1.

SFT1 A

Step 2. Frame Finish

M maple A

W walnut A

N sundance walnut with clear finish A

A ash A

Prices for Steps 1-2.

SFT1M	\$3016
SFT1W	\$3016
SFT1N	\$3291
SFT1A	\$3016

Step 3. Upholstery

Price Category 1	+\$0
Price Category (Geiger) 1	+\$36
Price Category 2	+\$44
Price Category (Geiger) 2	+\$44
Price Category 3	+\$55
Price Category (Geiger) 3	+\$55
Price Category 4	+\$67
Price Category (Geiger) 4	+\$67
Price Category 5	+\$98
Price Category (Geiger) 5	+\$98
Price Category (Geiger) 6	+\$130
Price Category (Geiger) 7	+\$158
Price Category (Geiger) 8	+\$244
Price Category 9	+\$302
Price Category (Geiger) 9	+\$302
Price Category (Geiger) 10	+\$348
Price Category (Geiger) 11	+\$389
Price Category (Geiger) 14	+\$510
Price Category (Geiger) A	+\$52
Price Category (Geiger) C	+\$61
Price Category D	+\$70
Price Category (Geiger) D	+\$70
Price Category (Geiger) E	+\$79
Price Category F	+\$89
Price Category (Geiger) F	+\$89
Price Category G	+\$98
Price Category (Geiger) G	+\$98
Price Category (Geiger) H	+\$107
Price Category (Geiger) I	+\$194
Price Category (Geiger) J	+\$121

Full Twist™ Guest Chair *continued*

HermanMiller Ancillary-Side & Stacking Chairs

Price Category (Geiger) K	+\$136
Price Category (Geiger) L	+\$149
Price Category (Geiger) M	+\$168
Price Category (Geiger) N	+\$186
Price Category (Geiger) O	+\$395
Price Category (Geiger) P	+\$204
Price Category (Geiger) Q	+\$557
Price Category (Geiger) R	+\$686
Price Category (Geiger) S	+\$737
Price Category (Geiger) T	+\$790
Price Category (Geiger) U	+\$840
Price Category (Geiger) V	+\$890
Price Category (Geiger) X	+\$994
Price Category (Geiger) Y	+\$1044
Price Category (Geiger) Z	+\$557
Price Category COL (Geiger) <input type="checkbox"/>	+\$65
Price Category COM (Geiger) <input type="checkbox"/>	+\$0

Step 4. Wood Finish

For maple (M)

967	smoked paldao, low sheen <input type="checkbox"/>	+\$0
969	warm paldao, low sheen <input type="checkbox"/>	+\$0

For maple (M)

911	champagne maple (natural) <input type="checkbox"/>	+\$0
G2U	light brown walnut, low sheen <input type="checkbox"/>	+\$0
G40	dark brown walnut, low sheen <input type="checkbox"/>	+\$0
940	sundance cherry on maple <input type="checkbox"/>	+\$0
943	caramel cherry <input type="checkbox"/>	+\$0
946	cocoa cherry <input type="checkbox"/>	+\$0
956	cocoa sapele <input type="checkbox"/>	+\$0
962	toasted walnut, low sheen <input type="checkbox"/>	+\$0
963	charred walnut, low sheen <input type="checkbox"/>	+\$0
964	bronzed walnut, low sheen <input type="checkbox"/>	+\$0
965	smoked walnut, low sheen <input type="checkbox"/>	+\$0
966	coffee walnut, low sheen <input type="checkbox"/>	+\$0
98R	recograin rosewood <input type="checkbox"/>	+\$0
99R	recograin rosewood <input type="checkbox"/>	+\$0
99T	recograin teak <input type="checkbox"/>	+\$0
9A1	white ash, quarter cut, low sheen <input type="checkbox"/>	+\$0
9K1	rift oak, rift cut, low sheen <input type="checkbox"/>	+\$0
9K6	burnt oak, rift cut, low sheen <input type="checkbox"/>	+\$0

For maple (M)

662	toasted walnut, matte sheen <input type="checkbox"/>	+\$0
663	charred walnut, matte sheen <input type="checkbox"/>	+\$0
664	bronzed walnut, matte sheen <input type="checkbox"/>	+\$0
665	smoked walnut, matte sheen <input type="checkbox"/>	+\$0
666	coffee walnut, matte sheen <input type="checkbox"/>	+\$0
667	smoked paldao, quarter cut, matte sheen <input type="checkbox"/>	+\$0
669	warm paldao, quarter cut, matte sheen <input type="checkbox"/>	+\$0
68R	recograin rosewood <input type="checkbox"/>	+\$0
69R	recograin rosewood <input type="checkbox"/>	+\$0
69T	recograin teak <input type="checkbox"/>	+\$0
6A1	white ash <input type="checkbox"/>	+\$0
6K1	rift oak <input type="checkbox"/>	+\$0
6K6	burnt oak <input type="checkbox"/>	+\$0
ET	clear on ash <input type="checkbox"/>	+\$0
EU	oak on ash <input type="checkbox"/>	+\$0
EV	walnut on ash <input type="checkbox"/>	+\$0
GOU	natural walnut, flat cut, matte sheen <input type="checkbox"/>	+\$0

For ash (A)

967	smoked paldao, low sheen <input type="checkbox"/>	+\$0
969	warm paldao, low sheen <input type="checkbox"/>	+\$0

For ash (A)

940	sundance cherry on maple <input type="checkbox"/>	+\$0
943	caramel cherry <input type="checkbox"/>	+\$0
946	cocoa cherry <input type="checkbox"/>	+\$0
956	cocoa sapele <input type="checkbox"/>	+\$0
962	toasted walnut, low sheen <input type="checkbox"/>	+\$0
963	charred walnut, low sheen <input type="checkbox"/>	+\$0
964	bronzed walnut, low sheen <input type="checkbox"/>	+\$0
965	smoked walnut, low sheen <input type="checkbox"/>	+\$0
966	coffee walnut, low sheen <input type="checkbox"/>	+\$0
977	chocolate ash, low sheen <input type="checkbox"/>	+\$0
98R	recograin rosewood <input type="checkbox"/>	+\$0
991	champagne ash <input type="checkbox"/>	+\$0
998	ebony ash <input type="checkbox"/>	+\$0
99A	recograin frosty ash <input type="checkbox"/>	+\$0
99R	recograin rosewood <input type="checkbox"/>	+\$0
99T	recograin teak <input type="checkbox"/>	+\$0
9A1	white ash, quarter cut, low sheen <input type="checkbox"/>	+\$0
9K1	rift oak, rift cut, low sheen <input type="checkbox"/>	+\$0
9K6	burnt oak, rift cut, low sheen <input type="checkbox"/>	+\$0
G2U	light brown walnut, low sheen <input type="checkbox"/>	+\$0
G40	dark brown walnut, low sheen <input type="checkbox"/>	+\$0

Full Twist™ Guest Chair *continued*

<i>For ash (A)</i>		
662	toasted walnut, matte sheen <input type="checkbox"/>	+\$0
663	charred walnut, matte sheen <input type="checkbox"/>	+\$0
664	bronzed walnut, matte sheen <input type="checkbox"/>	+\$0
665	smoked walnut, matte sheen <input type="checkbox"/>	+\$0
666	coffee walnut, matte sheen <input type="checkbox"/>	+\$0
667	smoked paldao, quarter cut, matte sheen <input type="checkbox"/>	+\$0
669	warm paldao, quarter cut, matte sheen <input type="checkbox"/>	+\$0
66A	recograin frosty ash <input type="checkbox"/>	+\$0
677	chocolate ash, matte sheen <input type="checkbox"/>	+\$0
68R	recograin rosewood <input type="checkbox"/>	+\$0
69A	recograin frosty ash <input type="checkbox"/>	+\$0
69R	recograin rosewood <input type="checkbox"/>	+\$0
69T	recograin teak <input type="checkbox"/>	+\$0
6A1	white ash <input type="checkbox"/>	+\$0
6K1	rift oak <input type="checkbox"/>	+\$0
6K6	burnt oak <input type="checkbox"/>	+\$0
ET	clear on ash <input type="checkbox"/>	+\$0
EU	oak on ash <input type="checkbox"/>	+\$0
EV	walnut on ash <input type="checkbox"/>	+\$0
GOU	natural walnut, flat cut, matte sheen <input type="checkbox"/>	+\$0

<i>For ash (A)</i>		
68W	recograin walnut, flat cut, matte sheen <input type="checkbox"/>	+\$0
69W	recograin walnut, quarter cut, matte sheen <input type="checkbox"/>	+\$0

<i>For ash (A)</i>		
98W	recograin walnut, flat cut, low sheen <input type="checkbox"/>	+\$0
99W	recograin walnut, quarter cut, low sheen <input type="checkbox"/>	+\$0

<i>For walnut (W)</i>		
967	smoked paldao, low sheen <input type="checkbox"/>	+\$0
969	warm paldao, low sheen <input type="checkbox"/>	+\$0

<i>For walnut (W)</i>		
962	toasted walnut, low sheen <input type="checkbox"/>	+\$0
963	charred walnut, low sheen <input type="checkbox"/>	+\$0
964	bronzed walnut, low sheen <input type="checkbox"/>	+\$0
965	smoked walnut, low sheen <input type="checkbox"/>	+\$0
966	coffee walnut, low sheen <input type="checkbox"/>	+\$0
98R	recograin rosewood <input type="checkbox"/>	+\$0
99R	recograin rosewood <input type="checkbox"/>	+\$0
G2U	light brown walnut, low sheen <input type="checkbox"/>	+\$0
G40	dark brown walnut, low sheen <input type="checkbox"/>	+\$0

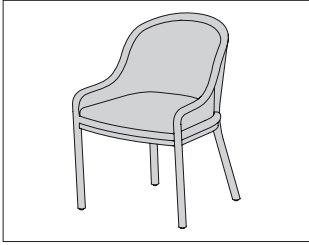
<i>For walnut (W)</i>		
662	toasted walnut, matte sheen <input type="checkbox"/>	+\$0
663	charred walnut, matte sheen <input type="checkbox"/>	+\$0
664	bronzed walnut, matte sheen <input type="checkbox"/>	+\$0
665	smoked walnut, matte sheen <input type="checkbox"/>	+\$0
666	coffee walnut, matte sheen <input type="checkbox"/>	+\$0
667	smoked paldao, quarter cut, matte sheen <input type="checkbox"/>	+\$0
669	warm paldao, quarter cut, matte sheen <input type="checkbox"/>	+\$0
68R	recograin rosewood <input type="checkbox"/>	+\$0
69R	recograin rosewood <input type="checkbox"/>	+\$0
GOU	natural walnut, flat cut, matte sheen <input type="checkbox"/>	+\$0

<i>For sundance walnut with clear finish (N)</i>		
972	sundance walnut <input type="checkbox"/>	+\$0

Step 5. Fire Retardancy		
NOCAL	not fire retardant <input type="checkbox"/>	+\$0
133	fire retardant <input type="checkbox"/>	+\$49

Landmark Low Arm Chair

SBLAC
SBLAF



HermanMiller Ancillary-Side & Stacking Chairs

Product Information

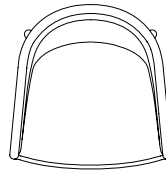
Description

This low arm chair has a wood frame carved from solid hardwood. It has a French upholstered seat and back, or a cane seat and back with cushion.

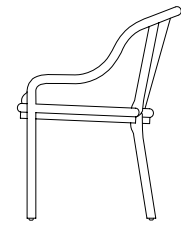
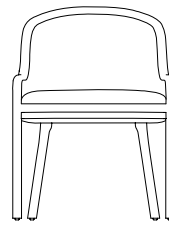
Notes

Customers Own Material (COM) requires 2½ yards for the French upholstered seat and back, closed arm (F) and 1 yard for the cane seat and back with cushion (C). Customers Own Leather (COL) requires 45 square feet for the French upholstered seat and back (F) and 20 square feet for the cane seat and back with cushion (C). See Order Information in Appendices.

Dimensions



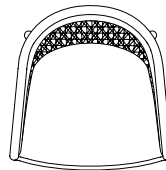
23.13"



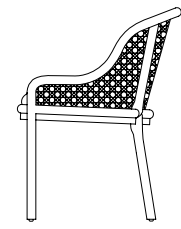
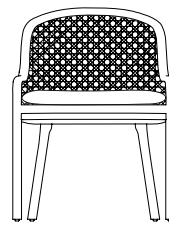
30.5"

23.46"

French upholstered



23.13"



30.5"

23.46"

Cane seat and back

Specification Information

Step 1.

SBLA

Step 2. Seat, Back and Arms

C cane seat and back with cushion

F french upholstered seat and back, closed arm

Prices for Steps 1-2.

SBLAC \$3848

SBLAF \$3848

Step 3. Wood Finish

Premium Veneer - Low Sheen

932	sundance anigre <input type="checkbox"/>	+\$0
933	caramel anigre <input type="checkbox"/>	+\$0
934	henna anigre <input type="checkbox"/>	+\$0
940	sundance cherry on maple <input type="checkbox"/>	+\$0
943	caramel cherry <input type="checkbox"/>	+\$0
946	cocoa cherry <input type="checkbox"/>	+\$0
956	cocoa sapele <input type="checkbox"/>	+\$0
962	toasted walnut, low sheen <input type="checkbox"/>	+\$0
963	charred walnut, low sheen <input type="checkbox"/>	+\$0
964	bronzed walnut, low sheen <input type="checkbox"/>	+\$0
965	smoked walnut, low sheen <input type="checkbox"/>	+\$0
966	coffee walnut, low sheen <input type="checkbox"/>	+\$0
967	smoked paldao, low sheen <input type="checkbox"/>	+\$0
969	warm paldao, low sheen <input type="checkbox"/>	+\$0
977	chocolate ash, low sheen <input type="checkbox"/>	+\$0
98R	recograin rosewood <input type="checkbox"/>	+\$0
991	champagne ash <input type="checkbox"/>	+\$0
998	ebony ash <input type="checkbox"/>	+\$0
99A	recograin frosty ash <input type="checkbox"/>	+\$0
99R	recograin rosewood <input type="checkbox"/>	+\$0
99T	recograin teak <input type="checkbox"/>	+\$0
9A1	white ash, quarter cut, low sheen <input type="checkbox"/>	+\$0
9K1	rift oak, rift cut, low sheen <input type="checkbox"/>	+\$0
9K6	burnt oak, rift cut, low sheen <input type="checkbox"/>	+\$0
G2U	light brown walnut, low sheen <input type="checkbox"/>	+\$0
G40	dark brown walnut, low sheen <input type="checkbox"/>	+\$0

Premium Veneer - Matte

662	toasted walnut, matte sheen <input type="checkbox"/>	+\$0
663	charred walnut, matte sheen <input type="checkbox"/>	+\$0
664	bronzed walnut, matte sheen <input type="checkbox"/>	+\$0
665	smoked walnut, matte sheen <input type="checkbox"/>	+\$0
666	coffee walnut, matte sheen <input type="checkbox"/>	+\$0
667	smoked paldao, quarter cut, matte sheen <input type="checkbox"/>	+\$0
669	warm paldao, quarter cut, matte sheen <input type="checkbox"/>	+\$0
66A	recograin frosty ash <input type="checkbox"/>	+\$0
677	chocolate ash, matte sheen <input type="checkbox"/>	+\$0
68R	recograin rosewood <input type="checkbox"/>	+\$0
69A	recograin frosty ash <input type="checkbox"/>	+\$0
69R	recograin rosewood <input type="checkbox"/>	+\$0
69T	recograin teak <input type="checkbox"/>	+\$0
6A1	white ash <input type="checkbox"/>	+\$0
6K1	rift oak <input type="checkbox"/>	+\$0
6K6	burnt oak <input type="checkbox"/>	+\$0
ET	clear on ash <input type="checkbox"/>	+\$0
EU	oak on ash <input type="checkbox"/>	+\$0
EV	walnut on ash <input type="checkbox"/>	+\$0
GOU	natural walnut, flat cut, matte sheen <input type="checkbox"/>	+\$0

RecoGrain Veneer

68W	recograin walnut, flat cut, matte sheen <input type="checkbox"/>	+\$0
69W	recograin walnut, quarter cut, matte sheen <input type="checkbox"/>	+\$0

Recon Veneer -

98W	recograin walnut, flat cut, low sheen <input type="checkbox"/>	+\$0
99W	recograin walnut, quarter cut, low sheen <input type="checkbox"/>	+\$0

Step 4. Upholstery

For cane seat and back with cushion (C)

Price Category 1	+\$0
Price Category (Geiger) 1	+\$0
Price Category 2	+\$59
Price Category (Geiger) 2	+\$59
Price Category 3	+\$73
Price Category (Geiger) 3	+\$73
Price Category 4	+\$90
Price Category (Geiger) 4	+\$90
Price Category 5	+\$131
Price Category (Geiger) 5	+\$131
Price Category (Geiger) 6	+\$172
Price Category (Geiger) 7	+\$212
Price Category (Geiger) 8	+\$324
Price Category 9	+\$402

Landmark Low Arm Chair *continued*

HermanMiller Ancillary-Side & Stacking Chairs

Price Category (Geiger) 9	+\$402
Price Category (Geiger) 10	+\$463
Price Category (Geiger) 11	+\$518
Price Category (Geiger) 14	+\$679
Price Category (Geiger) C	+\$66
Price Category D	+\$88
Price Category (Geiger) D	+\$88
Price Category (Geiger) E	+\$106
Price Category F	+\$127
Price Category (Geiger) F	+\$127
Price Category G	+\$173
Price Category (Geiger) G	+\$173
Price Category (Geiger) H	+\$215
Price Category (Geiger) I	+\$259
Price Category (Geiger) J	+\$304
Price Category (Geiger) K	+\$348
Price Category (Geiger) L	+\$392
Price Category (Geiger) M	+\$437
Price Category (Geiger) N	+\$481
Price Category (Geiger) O	+\$526
Price Category (Geiger) P	+\$569
Price Category (Geiger) Q	+\$656
Price Category (Geiger) R	+\$916
Price Category (Geiger) S	+\$983
Price Category (Geiger) T	+\$1051
Price Category (Geiger) U	+\$1120
Price Category (Geiger) V	+\$1187
Price Category (Geiger) X	+\$1324
Price Category (Geiger) Y	+\$1391
Price Category (Geiger) Z	+\$1459
Price Category (Geiger) COL <input type="checkbox"/>	+\$90
Price Category (Geiger) COM <input type="checkbox"/>	+\$0

For french upholstered seat and back, closed arm (F)

Price Category 1	+\$0
Price Category (Geiger) 1	+\$0
Price Category 2	+\$146
Price Category (Geiger) 2	+\$146
Price Category 3	+\$184
Price Category (Geiger) 3	+\$184
Price Category 4	+\$223
Price Category (Geiger) 4	+\$223
Price Category 5	+\$325
Price Category (Geiger) 5	+\$325
Price Category (Geiger) 6	+\$427
Price Category (Geiger) 7	+\$529
Price Category (Geiger) 8	+\$810

Price Category 9	+\$1006
Price Category (Geiger) 9	+\$1006
Price Category (Geiger) 10	+\$1157
Price Category (Geiger) 11	+\$1296
Price Category (Geiger) 14	+\$1698
Price Category (Geiger) C	+\$164
Price Category D	+\$217
Price Category (Geiger) D	+\$217
Price Category (Geiger) E	+\$264
Price Category F	+\$316
Price Category (Geiger) F	+\$316
Price Category G	+\$431
Price Category (Geiger) G	+\$431
Price Category (Geiger) H	+\$535
Price Category (Geiger) I	+\$647
Price Category (Geiger) J	+\$758
Price Category (Geiger) K	+\$870
Price Category (Geiger) L	+\$980
Price Category (Geiger) M	+\$1092
Price Category (Geiger) N	+\$1204
Price Category (Geiger) O	+\$1314
Price Category (Geiger) P	+\$1422
Price Category (Geiger) Q	+\$1642
Price Category (Geiger) R	+\$2287
Price Category (Geiger) S	+\$2458
Price Category (Geiger) T	+\$2627
Price Category (Geiger) U	+\$2797
Price Category (Geiger) V	+\$2966
Price Category (Geiger) X	+\$3307
Price Category (Geiger) Y	+\$3478
Price Category (Geiger) Z	+\$3648
Price Category (Geiger) COL <input type="checkbox"/>	+\$223
Price Category (Geiger) COM <input type="checkbox"/>	+\$0

Step 5. Fire Retardancy

For cane seat and back with cushion (C)

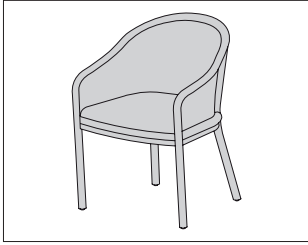
NOCAL no cal-133 required <input type="checkbox"/>	+\$0
-----------------------------------------------------------	------

For french upholstered seat and back, closed arm (F)

NOCAL no cal-133 required <input type="checkbox"/>	+\$0
-----------------------------------------------------------	------

Landmark Chair

SBLLC
SBLLF



Product Information

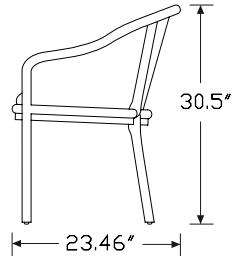
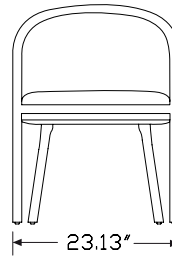
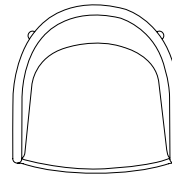
Description

This chair has a wood frame carved from solid hardwood. It has a French upholstered seat and back, or a cane seat and back with cushion.

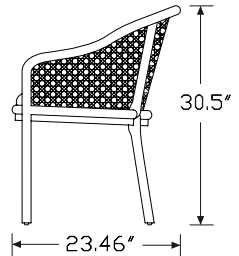
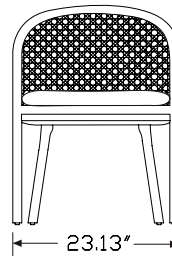
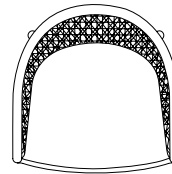
Notes

Customers Own Material (COM) requires 2½ yards for the French upholstered seat and back, closed arm (F) and 1 yard for the cane seat and back with cushion (C). Customers Own Leather (COL) requires 45 square feet for the French upholstered seat and back (F) and 20 square feet for the cane seat and back with cushion (C). See Order Information in Appendices.

Dimensions



French upholstered



Cane seat and back

Specification Information

Step 1.

SBLL A

Step 2. Seat, Back and Arms

C cane seat and back with cushion A

F french upholstered seat and back, closed arm A

Prices for Steps 1-2.

SBLLC \$3732

SBLLF \$3732

Step 3. Wood Finish

Premium Veneer - Low Sheen

932	sundance anigre A	+\$0
933	caramel anigre A	+\$0
934	henna anigre A	+\$0
940	sundance cherry on maple A	+\$0
943	caramel cherry A	+\$0
946	cocoa cherry A	+\$0
956	cocoa sapele A	+\$0
962	toasted walnut, low sheen A	+\$0
963	charred walnut, low sheen A	+\$0
964	bronzed walnut, low sheen A	+\$0
965	smoked walnut, low sheen A	+\$0
966	coffee walnut, low sheen A	+\$0
967	smoked paldao, low sheen A	+\$0
969	warm paldao, low sheen A	+\$0
977	chocolate ash, low sheen A	+\$0
98R	recograin rosewood A	+\$0
991	champagne ash A	+\$0
998	ebony ash A	+\$0
99A	recograin frosty ash A	+\$0
99R	recograin rosewood A	+\$0
99T	recograin teak A	+\$0
9A1	white ash, quarter cut, low sheen A	+\$0
9K1	rift oak, rift cut, low sheen A	+\$0
9K6	burnt oak, rift cut, low sheen A	+\$0
G2U	light brown walnut, low sheen A	+\$0
G40	dark brown walnut, low sheen A	+\$0

Premium Veneer - Matte

662	toasted walnut, matte sheen A	+\$0
663	charred walnut, matte sheen A	+\$0
664	bronzed walnut, matte sheen A	+\$0
665	smoked walnut, matte sheen A	+\$0
666	coffee walnut, matte sheen A	+\$0
667	smoked paldao, quarter cut, matte sheen A	+\$0
669	warm paldao, quarter cut, matte sheen A	+\$0
66A	recograin frosty ash A	+\$0
677	chocolate ash, flat cut, matte sheen A	+\$0
68R	recograin rosewood A	+\$0
69A	recograin frosty ash A	+\$0
69R	recograin rosewood A	+\$0
69T	recograin teak A	+\$0
6A1	white ash A	+\$0
6K1	rift oak A	+\$0
6K6	burnt oak A	+\$0
ET	clear on ash A	+\$0
EU	oak on ash A	+\$0
EV	walnut on ash A	+\$0
GOU	natural walnut, flat cut, matte sheen A	+\$0

RecoGrain Veneer

68W	recograin walnut, flat cut, matte sheen A	+\$0
69W	recograin walnut, quarter cut, matte sheen A	+\$0

Recon Veneer -

98W	recograin walnut, flat cut, low sheen A	+\$0
99W	recograin walnut, quarter cut, low sheen A	+\$0

Step 4. Upholstery

For cane seat and back with cushion (C)

Price Category 1	+\$0
Price Category (Geiger) 1	+\$0
Price Category 2	+\$59
Price Category (Geiger) 2	+\$59
Price Category 3	+\$73
Price Category (Geiger) 3	+\$73
Price Category 4	+\$90
Price Category (Geiger) 4	+\$90
Price Category 5	+\$131
Price Category (Geiger) 5	+\$131
Price Category (Geiger) 6	+\$172
Price Category (Geiger) 7	+\$212
Price Category (Geiger) 8	+\$324
Price Category 9	+\$402

Landmark Chair *continued*

Price Category (Geiger) 9	+\$402	Price Category 9	+\$1006
Price Category (Geiger) 10	+\$463	Price Category (Geiger) 9	+\$1006
Price Category (Geiger) 11	+\$518	Price Category (Geiger) 10	+\$1157
Price Category (Geiger) 14	+\$679	Price Category (Geiger) 11	+\$1296
Price Category (Geiger) C	+\$54	Price Category (Geiger) 14	+\$1698
Price Category D	+\$88	Price Category (Geiger) C	+\$133
Price Category (Geiger) D	+\$88	Price Category D	+\$217
Price Category (Geiger) E	+\$106	Price Category (Geiger) D	+\$217
Price Category F	+\$127	Price Category (Geiger) E	+\$264
Price Category (Geiger) F	+\$127	Price Category F	+\$316
Price Category G	+\$173	Price Category (Geiger) F	+\$316
Price Category (Geiger) G	+\$173	Price Category G	+\$431
Price Category (Geiger) H	+\$215	Price Category (Geiger) G	+\$431
Price Category (Geiger) I	+\$259	Price Category (Geiger) H	+\$535
Price Category (Geiger) J	+\$304	Price Category (Geiger) I	+\$647
Price Category (Geiger) K	+\$348	Price Category (Geiger) J	+\$758
Price Category (Geiger) L	+\$392	Price Category (Geiger) K	+\$870
Price Category (Geiger) M	+\$437	Price Category (Geiger) L	+\$980
Price Category (Geiger) N	+\$481	Price Category (Geiger) M	+\$1092
Price Category (Geiger) O	+\$526	Price Category (Geiger) N	+\$1204
Price Category (Geiger) P	+\$569	Price Category (Geiger) O	+\$1314
Price Category (Geiger) Q	+\$656	Price Category (Geiger) P	+\$1422
Price Category (Geiger) R	+\$916	Price Category (Geiger) Q	+\$1642
Price Category (Geiger) S	+\$983	Price Category (Geiger) R	+\$2287
Price Category (Geiger) T	+\$1051	Price Category (Geiger) S	+\$2458
Price Category (Geiger) U	+\$1120	Price Category (Geiger) T	+\$2627
Price Category (Geiger) V	+\$1187	Price Category (Geiger) U	+\$2797
Price Category (Geiger) X	+\$1324	Price Category (Geiger) V	+\$2966
Price Category (Geiger) Y	+\$1391	Price Category (Geiger) X	+\$3307
Price Category (Geiger) Z	+\$1459	Price Category (Geiger) Y	+\$3478
Price Category (Geiger) COL <input type="checkbox"/>	+\$90	Price Category (Geiger) Z	+\$3648
Price Category (Geiger) COM <input type="checkbox"/>	+\$0	Price Category (Geiger) COL <input type="checkbox"/>	+\$223
		Price Category (Geiger) COM <input type="checkbox"/>	+\$0

For french upholstered seat and back, closed arm (F)

Price Category 1	+\$0
Price Category (Geiger) 1	+\$0
Price Category 2	+\$146
Price Category (Geiger) 2	+\$146
Price Category 3	+\$184
Price Category (Geiger) 3	+\$184
Price Category 4	+\$223
Price Category (Geiger) 4	+\$223
Price Category 5	+\$325
Price Category (Geiger) 5	+\$325
Price Category (Geiger) 6	+\$427
Price Category (Geiger) 7	+\$529
Price Category (Geiger) 8	+\$810

Step 5. Fire Retardancy

For cane seat and back with cushion (C)

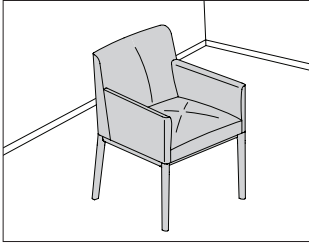
NOCAL no cal-133 required <input type="checkbox"/>	+\$0
-----------------------------------------------------------	------

For french upholstered seat and back, closed arm (F)

NOCAL no cal-133 required <input type="checkbox"/>	+\$0
-----------------------------------------------------------	------

Nessel Chair

SNS1A
SNS1W
SNS2A
SNS2W



Product Information

Description

This side chair has a solid wood frame with cushions made of polyfoam and DACRON®. It is available with or without arms.

Notes

Customer's Own Material (COM)/Customer's Own Leather (COL) requires the following:

Type—COM—COL

SNS2W (seat border and outside back)—1 yard—18 square feet

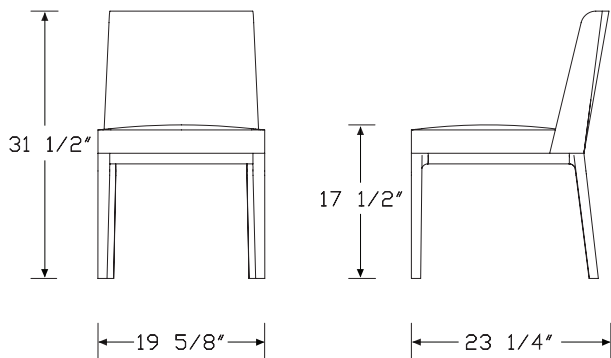
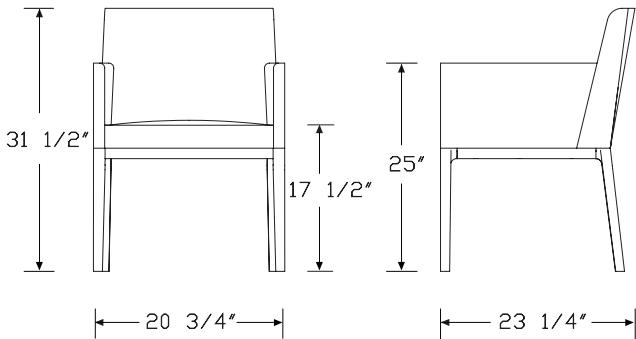
SNS2W (seat cushion top and inside chair back)—1 yard—18 square feet

SNS1W (seat border and outside back)—¾ yard—13½ square feet

SNS1W (seat cushion top and inside chair back)—¾ yard—13½ square feet

See Order Information in Appendices for more information.

Dimensions



Specification Information

Step 1.

SNS A

Step 2. Frame Finish

1A armless - ash A

1W armless - walnut A

2A arm - ash A

2W arm - walnut A

Prices for Steps 1-2.

SNS1A	\$2143
SNS1W	\$2143
SNS2A	\$2694
SNS2W	\$2694

Step 3. Wood Finish

For armless - ash (1A) or arm - ash (2A)

68W	recograin walnut, flat cut, matte sheen <input type="checkbox"/> A	+\$0
69W	recograin walnut, quarter cut, matte sheen <input type="checkbox"/> A	+\$0

For armless - ash (1A) or arm - ash (2A)

98W	recograin walnut, flat cut, low sheen <input type="checkbox"/> A	+\$0
99W	recograin walnut, quarter cut, low sheen <input type="checkbox"/> A	+\$0

Low Sheen Finishes (on Ash)

For armless - ash (1A) or arm - ash (2A)

967	smoked paldao, low sheen <input type="checkbox"/> A	+\$0
969	warm paldao, low sheen <input type="checkbox"/> A	+\$0

Nessel Chair *continued*

Low Sheen Finishes (on Ash)

For armless - ash (1A) or arm - ash (2A)

940	sundance cherry on maple [A]	+\$0
962	toasted walnut, low sheen [A]	+\$0
963	charred walnut, low sheen [A]	+\$0
964	bronzed walnut, low sheen [A]	+\$0
965	smoked walnut, low sheen [A]	+\$0
966	coffee walnut, low sheen [A]	+\$0
977	chocolate ash, low sheen [A]	+\$0
98R	recograin rosewood [A]	+\$0
99A	recograin frosty ash [A]	+\$0
99R	recograin rosewood [A]	+\$0
99T	recograin teak [A]	+\$0
9A1	white ash, quarter cut, low sheen [A]	+\$0
9K1	rift oak, rift cut, low sheen [A]	+\$0
9K6	burnt oak, rift cut, low sheen [A]	+\$0
G2U	light brown walnut, low sheen [A]	+\$0
G40	dark brown walnut, low sheen [A]	+\$0
UX	walnut on cherry, flat cut, low sheen [A]	+\$0
943	caramel cherry [A]	+\$0
946	cocoa cherry [A]	+\$0
956	cocoa sapele [A]	+\$0
991	champagne ash [A]	+\$0
998	ebony ash [A]	+\$0

Matte Sheen Finishes (on Ash)

For armless - ash (1A) or arm - ash (2A)

667	smoked paldao, quarter cut, matte sheen [A]	+\$0
669	warm paldao, quarter cut, matte sheen [A]	+\$0
66A	frosty ash recograin, quarter cut, matte sheen [A]	+\$0
677	chocolate ash, matte sheen [A]	+\$0
68R	recograin rosewood [A]	+\$0
69A	recograin frosty ash [A]	+\$0
69R	recograin rosewood [A]	+\$0
69T	recograin teak [A]	+\$0
6K1	rift oak [A]	+\$0
ET	clear on ash [A]	+\$0
EU	oak on ash [A]	+\$0
EV	walnut on ash [A]	+\$0
GOU	natural walnut, flat cut, matte sheen [A]	+\$0
6A1	white ash [A]	+\$0
6K6	burnt oak [A]	+\$0

For armless - walnut (1W) or arm - walnut (2W)

967	smoked paldao, low sheen [A]	+\$0
969	warm paldao, low sheen [A]	+\$0

For armless - walnut (1W) or arm - walnut (2W)

662	toasted walnut, matte sheen [A]	+\$0
663	charred walnut, matte sheen [A]	+\$0
664	bronzed walnut, matte sheen [A]	+\$0
665	smoked walnut, matte sheen [A]	+\$0
666	coffee walnut, matte sheen [A]	+\$0
68R	recograin rosewood [A]	+\$0
69R	recograin rosewood [A]	+\$0
GOU	natural walnut, flat cut, matte sheen [A]	+\$0

Low Sheen Finishes (on Walnut)

For armless - walnut (1W) or arm - walnut (2W)

962	toasted walnut, low sheen [A]	+\$0
963	charred walnut, low sheen [A]	+\$0
964	bronzed walnut, low sheen [A]	+\$0
965	smoked walnut, low sheen [A]	+\$0
966	coffee walnut, low sheen [A]	+\$0
972	sundance walnut [A]	+\$0
98R	recograin rosewood [A]	+\$0
99R	recograin rosewood [A]	+\$0
G2U	light brown walnut, low sheen [A]	+\$0
G40	dark brown walnut, low sheen [A]	+\$0

Step 4. Seat Border/Outside Back

<i>For armless - ash (1A) or armless - walnut (1W)</i>	
Price Category 1	+\$0
Price Category (Geiger) 2	+\$44
Price Category 2	+\$44
Price Category (Geiger) 3	+\$55
Price Category 3	+\$55
Price Category (Geiger) 4	+\$67
Price Category 4	+\$67
Price Category (Geiger) 5	+\$98
Price Category 5	+\$98
Price Category (Geiger) 6	+\$130
Price Category (Geiger) 7	+\$158
Price Category (Geiger) 8	+\$244
Price Category (Geiger) 9	+\$302
Price Category 9	+\$302
Price Category (Geiger) 10	+\$348
Price Category (Geiger) 11	+\$389
Price Category (Geiger) C	+\$50
Price Category (Geiger) D	+\$66
Price Category D	+\$66
Price Category (Geiger) F	+\$96
Price Category F	+\$96
Price Category (Geiger) G	+\$130
Price Category G	+\$130
Price Category (Geiger) H	+\$161
Price Category (Geiger) I	+\$194
Price Category (Geiger) K	+\$262
Price Category (Geiger) L	+\$295
Price Category (Geiger) M	+\$328
Price Category (Geiger) COL <input type="checkbox"/>	+\$0
Price Category (Geiger) COM <input type="checkbox"/>	+\$0

<i>For arm - ash (2A) or arm - walnut (2W)</i>	
Price Category (Geiger) COL <input type="checkbox"/>	+\$0
Price Category (Geiger) COM <input type="checkbox"/>	+\$0
Price Category 1	+\$0
Price Category (Geiger) 2	+\$59
Price Category 2	+\$59
Price Category (Geiger) 3	+\$73
Price Category 3	+\$73
Price Category (Geiger) 4	+\$90
Price Category 4	+\$67
Price Category (Geiger) 5	+\$131
Price Category 5	+\$131
Price Category (Geiger) 6	+\$172
Price Category (Geiger) 7	+\$212
Price Category (Geiger) 8	+\$324
Price Category (Geiger) 9	+\$402
Price Category 9	+\$402
Price Category (Geiger) 10	+\$463
Price Category (Geiger) 11	+\$518
Price Category (Geiger) C	+\$66
Price Category (Geiger) D	+\$88
Price Category D	+\$88
Price Category (Geiger) F	+\$127
Price Category F	+\$127
Price Category (Geiger) G	+\$173
Price Category G	+\$173
Price Category (Geiger) H	+\$215
Price Category (Geiger) I	+\$259
Price Category (Geiger) K	+\$348
Price Category (Geiger) L	+\$392
Price Category (Geiger) M	+\$437

Step 5. Seat Cushion Top/Inside Back

<i>For armless - ash (1A) or armless - walnut (1W)</i>	
Price Category 1	+\$0
Price Category (Geiger) 2	+\$44
Price Category 2	+\$44
Price Category (Geiger) 3	+\$55
Price Category 3	+\$55
Price Category (Geiger) 4	+\$67
Price Category 4	+\$67
Price Category (Geiger) 5	+\$98
Price Category 5	+\$98
Price Category (Geiger) 6	+\$130
Price Category (Geiger) 7	+\$158
Price Category (Geiger) 8	+\$244
Price Category (Geiger) 9	+\$302
Price Category 9	+\$302
Price Category (Geiger) 10	+\$348
Price Category (Geiger) 11	+\$389
Price Category (Geiger) C	+\$50
Price Category (Geiger) D	+\$66
Price Category D	+\$66
Price Category (Geiger) F	+\$96
Price Category F	+\$96
Price Category (Geiger) G	+\$130
Price Category G	+\$130
Price Category (Geiger) H	+\$161
Price Category (Geiger) I	+\$194
Price Category (Geiger) K	+\$262
Price Category (Geiger) L	+\$295
Price Category (Geiger) M	+\$328
Price Category (Geiger) COL A	+\$0
Price Category (Geiger) COM A	+\$0

For arm - ash (2A) or arm - walnut (2W)

Price Category 1	+\$0
Price Category (Geiger) 2	+\$59
Price Category 2	+\$59
Price Category (Geiger) 3	+\$73
Price Category 3	+\$73
Price Category (Geiger) 4	+\$90
Price Category 4	+\$90
Price Category (Geiger) 5	+\$131
Price Category 5	+\$131
Price Category (Geiger) 6	+\$172
Price Category (Geiger) 7	+\$212
Price Category (Geiger) 8	+\$324
Price Category (Geiger) 9	+\$402
Price Category 9	+\$402
Price Category (Geiger) 10	+\$463
Price Category (Geiger) 11	+\$518
Price Category (Geiger) C	+\$66
Price Category (Geiger) D	+\$88
Price Category D	+\$88
Price Category (Geiger) F	+\$127
Price Category F	+\$127
Price Category (Geiger) G	+\$173
Price Category G	+\$173
Price Category (Geiger) H	+\$215
Price Category (Geiger) I	+\$259
Price Category (Geiger) K	+\$348
Price Category (Geiger) L	+\$392
Price Category (Geiger) M	+\$437
Price Category (Geiger) COL A	+\$0
Price Category (Geiger) COM A	+\$0

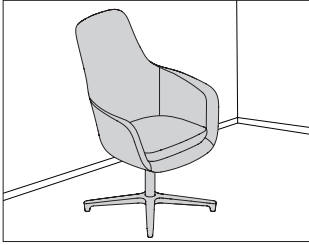
Step 6. Fire Retardancy

<i>For armless - ash (1A) or arm - ash (2A)</i>	
NOCAL no cal-133 required A	+\$0

<i>For armless - walnut (1W) or arm - walnut (2W)</i>	
NOCAL no cal-133 required A	+\$0

Saiba Conference Chair

SBN1H
SBN1M



HermanMiller Ancillary-Side & Stacking Chairs

Product Information

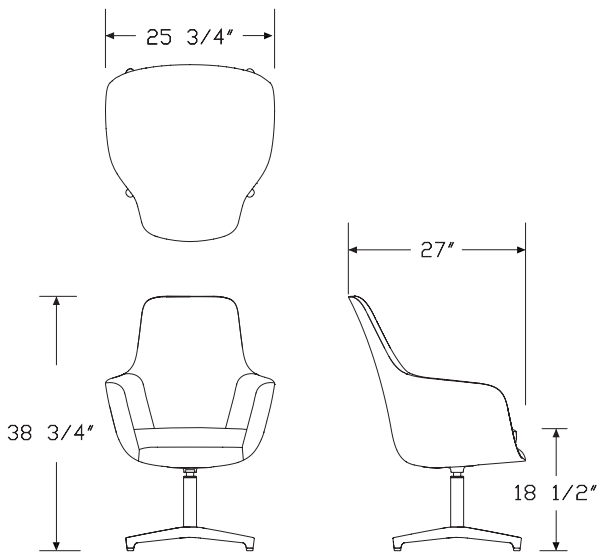
Description

This swivel chair has a high back or mid back and a 4-star self-return base with glides. Seat frame is rigid urethane with polyurethane foam.

Notes

Customer's Own Material (COM) requires 3 yards for high back (H) or 2¾ yards for mid back (M). Customer's Own Leather (COL) requires 54 square feet for high back (H) or 49½ square feet for mid back (M). See Order Information in appendices.

Dimensions



Specification Information

Step 1.

SBN1 A

Step 2. Back Height

M mid back A

H high back A

Prices for Steps 1-2.

SBN1M	\$2527
SBN1H	\$2662

Step 3. Upholstery

For mid back (M)

Price Category 1	+\$0
Price Category (Geiger) 1	+\$0
Price Category 2	+\$160
Price Category (Geiger) 2	+\$160
Price Category 3	+\$200
Price Category (Geiger) 3	+\$200
Price Category 4	+\$430
Price Category (Geiger) 4	+\$245
Price Category 5	+\$358
Price Category (Geiger) 5	+\$358
Price Category (Geiger) 7	+\$582
Price Category (Geiger) 8	+\$892
Price Category 9	+\$1105
Price Category (Geiger) 9	+\$1105
Price Category (Geiger) 10	+\$1272
Price Category (Geiger) 11	+\$1424
Price Category (Geiger) C	+\$182
Price Category F	+\$350
Price Category G	+\$475
Price Category (Geiger) H	+\$589
Price Category (Geiger) R	+\$2519
Price Category (Geiger) COL <input type="checkbox"/> A	+\$0
Price Category (Geiger) COM <input type="checkbox"/> A	+\$0

Saiba Conference Chair *continued*

<i>For high back (H)</i>		
Price Category 1		+\$0
Price Category (Geiger) 1		+\$0
Price Category 2		+\$220
Price Category (Geiger) 2		+\$220
Price Category 3		+\$220
Price Category (Geiger) 3		+\$220
Price Category 4		+\$515
Price Category (Geiger) 4		+\$268
Price Category 5		+\$390
Price Category (Geiger) 5		+\$390
Price Category (Geiger) 7		+\$635
Price Category (Geiger) 8		+\$972
Price Category 9		+\$1206
Price Category (Geiger) 9		+\$1206
Price Category (Geiger) 10		+\$1387
Price Category (Geiger) 11		+\$1554
Price Category (Geiger) C		+\$198
Price Category F		+\$382
Price Category G		+\$518
Price Category (Geiger) H		+\$642
Price Category (Geiger) R		+\$2747
Price Category (Geiger) COL	<input type="checkbox"/> A	+\$0
Price Category (Geiger) COM	<input type="checkbox"/> A	+\$0

Step 4. Base Finish		
BK	black <input type="checkbox"/> A	+\$0
CD	polished aluminum <input type="checkbox"/> A	+\$0

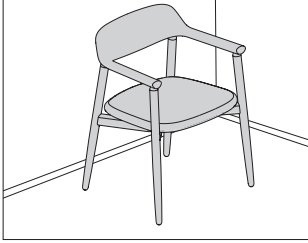
Step 5. Fire Retardancy

<i>For mid back (M)</i>		
NOCAL	no cal-133 required <input type="checkbox"/> A	+\$0

<i>For high back (H)</i>		
NOCAL	no cal-133 required <input type="checkbox"/> A	+\$0

Crosshatch Side Chair

SES2A
SES2W



Product Information

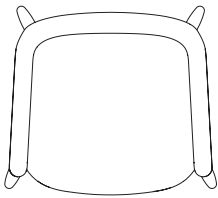
Description

This side chair has a solid wood frame with an upholstered seat. Frame comes in ash or walnut.

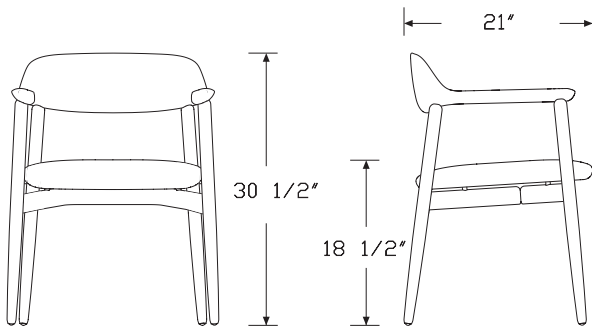
Notes

Customer's Own Material (COM) requires 3/4 yards. Customer's Own Leather (COL) requires 13 1/2 square feet. See Order Information in appendices.

Dimensions



← 23 3/4" →



Specification Information

Step 1.

SES2 A

Step 2. Frame Finish

A ash A

W walnut A

Prices for Steps 1-2.

SES2A \$2874

SES2W \$2874

Step 3. Wood Finish

Low Sheen Finishes (on Ash)

For ash (A)

967 smoked paldao, low sheen A +\$0

969 warm paldao, low sheen A +\$0

Low Sheen Finishes (on Ash)

For ash (A)

940 sundance cherry on maple A +\$0

962 toasted walnut, low sheen A +\$0

963 charred walnut, low sheen A +\$0

964 bronzed walnut, low sheen A +\$0

965 smoked walnut, low sheen A +\$0

966 coffee walnut, low sheen A +\$0

977 chocolate ash, low sheen A +\$0

98R recograin rosewood A +\$0

99A recograin frosty ash A +\$0

99R recograin rosewood A +\$0

99T recograin teak A +\$0

9A1 white ash, quarter cut, low sheen A +\$0

9K1 rift oak, rift cut, low sheen A +\$0

9K6 burnt oak, rift cut, low sheen A +\$0

G2U light brown walnut, low sheen A +\$0

G40 dark brown walnut, low sheen A +\$0

943 caramel cherry A +\$0

946 cocoa cherry A +\$0

956 cocoa sapele A +\$0

991 champagne ash A +\$0

998 ebony ash A +\$0

Matte Sheen Finishes (on Ash)

For ash (A)

66A	recograin frosty ash <input type="checkbox"/>	+\$0
677	chocolate ash, matte sheen <input type="checkbox"/>	+\$0
68R	recograin rosewood <input type="checkbox"/>	+\$0
69A	recograin frosty ash <input type="checkbox"/>	+\$0
69R	recograin rosewood <input type="checkbox"/>	+\$0
69T	recograin teak <input type="checkbox"/>	+\$0
6K1	rift oak <input type="checkbox"/>	+\$0
ET	clear on ash <input type="checkbox"/>	+\$0
EU	oak on ash <input type="checkbox"/>	+\$0
EV	walnut on ash <input type="checkbox"/>	+\$0
GOU	natural walnut, flat cut, matte sheen <input type="checkbox"/>	+\$0
6A1	white ash <input type="checkbox"/>	+\$0
6K6	burnt oak <input type="checkbox"/>	+\$0

Anigre Veneer - Low Sheen

For walnut (W)

967	smoked paldao, low sheen <input type="checkbox"/>	+\$0
969	warm paldao, low sheen <input type="checkbox"/>	+\$0

Premium Veneer - Matte

For walnut (W)

662	toasted walnut, matte sheen <input type="checkbox"/>	+\$0
663	charred walnut, matte sheen <input type="checkbox"/>	+\$0
664	bronzed walnut, matte sheen <input type="checkbox"/>	+\$0
665	smoked walnut, matte sheen <input type="checkbox"/>	+\$0
666	coffee walnut, matte sheen <input type="checkbox"/>	+\$0
667	smoked paldao, quarter cut, matte sheen <input type="checkbox"/>	+\$0
669	warm paldao, quarter cut, matte sheen <input type="checkbox"/>	+\$0
68R	recograin rosewood <input type="checkbox"/>	+\$0
69R	recograin rosewood <input type="checkbox"/>	+\$0
GOU	natural walnut, flat cut, matte sheen <input type="checkbox"/>	+\$0

Low Sheen Finishes (on Walnut)

For walnut (W)

962	toasted walnut, low sheen <input type="checkbox"/>	+\$0
963	charred walnut, low sheen <input type="checkbox"/>	+\$0
964	bronzed walnut, low sheen <input type="checkbox"/>	+\$0
965	smoked walnut, low sheen <input type="checkbox"/>	+\$0
966	coffee walnut, low sheen <input type="checkbox"/>	+\$0
972	sundance walnut <input type="checkbox"/>	+\$0
98R	recograin rosewood <input type="checkbox"/>	+\$0
99R	recograin rosewood <input type="checkbox"/>	+\$0
G2U	light brown walnut, low sheen <input type="checkbox"/>	+\$0
G40	dark brown walnut, low sheen <input type="checkbox"/>	+\$0

Step 4. Fabric

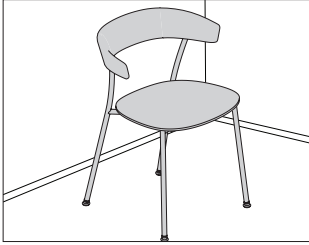
Price Category 1	+\$0
Price Category (Geiger) 1	+\$0
Price Category 2	+\$44
Price Category (Geiger) 2	+\$44
Price Category 3	+\$55
Price Category (Geiger) 3	+\$55
Price Category 4	+\$67
Price Category (Geiger) 4	+\$67
Price Category 5	+\$98
Price Category (Geiger) 5	+\$98
Price Category (Geiger) 6	+\$130
Price Category (Geiger) 7	+\$158
Price Category (Geiger) 8	+\$244
Price Category 9	+\$302
Price Category (Geiger) 9	+\$302
Price Category (Geiger) 10	+\$348
Price Category (Geiger) 11	+\$389
Price Category (Geiger) 14	+\$510
Price Category (Geiger) C	+\$50
Price Category D	+\$65
Price Category (Geiger) E	+\$79
Price Category F	+\$96
Price Category G	+\$130
Price Category (Geiger) G	+\$130
Price Category (Geiger) I	+\$194
Price Category (Geiger) J	+\$228
Price Category (Geiger) L	+\$571
Price Category (Geiger) M	+\$636
Price Category (Geiger) R	+\$688
Price Category (Geiger) COL <input type="checkbox"/>	+\$65
Price Category (Geiger) COM <input type="checkbox"/>	+\$0

Step 5. Fire Retardancy

NOCAL no cal-133 required <input type="checkbox"/>	+\$0
-----------------------------------------------------------	------

Leeway™ Metal Frame Side Chair

SVMP
SVMUA
SVMUW
SVMWA
SVMWW



Product Information

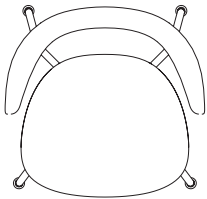
Description

This side chair has a solid wood seat and back with a metal frame or a polyurethane seat and back with a metal frame. All options available with or without an upholstered seat.

Notes

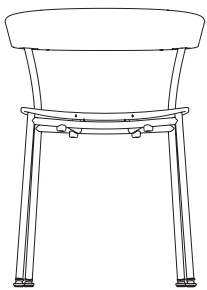
Customer's Own Material (COM) requires 1/2 yard. Customer's Own Leather (COL) requires 9 square feet. See Order Information in appendices.

Dimensions



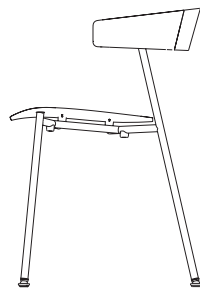
21 1/8"

20 1/8"



29 1/2"

19"



19 1/2"

Specification Information

Step 1.

SVM

Step 2. Seat/Back

U upholstered seat, wood back

W wood seat and back

P polyurethane seat and back

Step 3. Wood Species

For upholstered seat, wood back (U) or wood seat and back (W)

A ash

W walnut

Prices for Steps 1-3.

SVMUA	\$1779
SVMUW	\$1779
SVMWA	\$1642
SVMWW	\$1642
SVMP	\$811

Step 4. Frame Finish

BK black <input type="checkbox"/>	+\$0
SAC satin chrome <input type="checkbox"/>	+\$84

Leeway™ Metal Frame Side Chair

continued

Step 5. Seat/Back Finish

For upholstered seat, wood back (U) or wood seat and back (W) with ash (A)

940	sundance cherry on maple, low sheen [A]	+\$0
943	caramel cherry, low sheen [A]	+\$0
946	cocoa cherry, low sheen [A]	+\$0
956	cocoa sapele, low sheen [A]	+\$0
962	toasted walnut, low sheen [A]	+\$0
963	charred walnut, low sheen [A]	+\$0
964	bronzed walnut, low sheen [A]	+\$0
965	smoked walnut, low sheen [A]	+\$0
966	coffee walnut, low sheen [A]	+\$0
967	smoked paldao, low sheen [A]	+\$0
969	warm paldao, low sheen [A]	+\$0
96A	recograin frosty ash, low sheen [A]	+\$0
96W	recograin walnut, low sheen [A]	+\$0
977	chocolate ash, low sheen [A]	+\$0
98R	recograin rosewood, low sheen [A]	+\$0
98W	recograin walnut, low sheen [A]	+\$0
991	champagne ash, low sheen [A]	+\$0
998	ebony ash, low sheen [A]	+\$0
99R	recograin rosewood, low sheen [A]	+\$0
99T	recograin teak, low sheen [A]	+\$0
99W	recograin walnut, low sheen [A]	+\$0
9A1	white ash, low sheen [A]	+\$0
9K1	rift oak, low sheen [A]	+\$0
9K6	burnt oak, low sheen [A]	+\$0
ED	aged cherry, low sheen [A]	+\$0
EK	medium red walnut, low sheen [A]	+\$0
G2U	light brown walnut, low sheen [A]	+\$0
G40	dark brown walnut, low sheen [A]	+\$0
UX	walnut on cherry, low sheen [A]	+\$0

For upholstered seat, wood back (U) or wood seat and back (W) with ash (A)

662	toasted walnut, matte sheen [A]	+\$0
663	charred walnut, matte sheen [A]	+\$0
664	bronzed walnut, matte sheen [A]	+\$0
665	smoked walnut, matte sheen [A]	+\$0
666	coffee walnut, matte sheen [A]	+\$0
667	smoked paldao, matte sheen [A]	+\$0
669	warm paldao, matte sheen [A]	+\$0
66A	recograin frosty ash, matte sheen [A]	+\$0
66W	recograin walnut, matte sheen [A]	+\$0
677	chocolate ash, matte sheen [A]	+\$0
68R	recograin rosewood, matte sheen [A]	+\$0
68W	recograin walnut, matte sheen [A]	+\$0
69A	recograin frosty ash, matte sheen [A]	+\$0
69R	recograin rosewood, matte sheen [A]	+\$0
69T	recograin teak, matte sheen [A]	+\$0
69W	recograin walnut, matte sheen [A]	+\$0
6A1	white ash, matte sheen [A]	+\$0
6ET	clear on ash, matte sheen [A]	+\$0
6EU	clear on oak, matte sheen [A]	+\$0
6EV	walnut on ash, matte sheen [A]	+\$0
6K1	rift oak, matte sheen [A]	+\$0
6K6	burnt oak, matte sheen [A]	+\$0
ET	clear on ash, matte sheen [A]	+\$0
EU	oak on ash, matte sheen [A]	+\$0
EV	walnut on ash, matte sheen [A]	+\$0
GOU	walnut, matte sheen [A]	+\$0

For upholstered seat, wood back (U) or wood seat and back (W) with walnut (W)

962	toasted walnut, low sheen [A]	+\$0
963	charred walnut, low sheen [A]	+\$0
964	bronzed walnut, low sheen [A]	+\$0
965	smoked walnut, low sheen [A]	+\$0
966	coffee walnut, low sheen [A]	+\$0
967	smoked paldao, low sheen [A]	+\$0
969	warm paldao, low sheen [A]	+\$0
972	sundance walnut, low sheen [A]	+\$0
98R	recograin rosewood, low sheen [A]	+\$0
99R	recograin rosewood, low sheen [A]	+\$0
EK	medium red walnut, low sheen [A]	+\$0
G2U	light brown walnut, low sheen [A]	+\$0
G40	dark brown walnut, low sheen [A]	+\$0

Leeway™ Metal Frame Side Chair

continued

HermanMiller Ancillary-Side & Stacking Chairs

For upholstered seat, wood back (U) or wood seat and back (W) with walnut (W)

662	toasted walnut, matte sheen <input type="checkbox"/>	+\$0
663	charred walnut, matte sheen <input type="checkbox"/>	+\$0
664	bronzed walnut, matte sheen <input type="checkbox"/>	+\$0
665	smoked walnut, matte sheen <input type="checkbox"/>	+\$0
666	coffee walnut, matte sheen <input type="checkbox"/>	+\$0
667	smoked paldao, matte sheen <input type="checkbox"/>	+\$0
669	warm paldao, matte sheen <input type="checkbox"/>	+\$0
68R	recograin rosewood, matte sheen <input type="checkbox"/>	+\$0
69R	recograin rosewood, matte sheen <input type="checkbox"/>	+\$0
6EV	walnut on ash, matte sheen <input type="checkbox"/>	+\$0
EV	walnut on ash, matte sheen <input type="checkbox"/>	+\$0
GOU	walnut, matte sheen <input type="checkbox"/>	+\$0

For polyurethane seat and back (P)

BK	black <input type="checkbox"/>	+\$0
-----------	--------------------------------	------

Step 6. Fabric

For upholstered seat, wood back (U)

Price Category 8	+\$232
Price Category 1	+\$0
Price Category (Geiger) 1	+\$0
Price Category 2	+\$30
Price Category (Geiger) 2	+\$30
Price Category (Geiger) 3	+\$37
Price Category 4	+\$46
Price Category (Geiger) 4	+\$46
Price Category 5	+\$66
Price Category (Geiger) 5	+\$66
Price Category (Geiger) 6	+\$86
Price Category (Geiger) 7	+\$107
Price Category (Geiger) 8	+\$162
Price Category 9	+\$202
Price Category (Geiger) 9	+\$202
Price Category (Geiger) 10	+\$232
Price Category 11	+\$260
Price Category (Geiger) 11	+\$260
Price Category (Geiger) 14	+\$341
Price Category (Geiger) C	+\$34
Price Category D	+\$44
Price Category (Geiger) D	+\$44
Price Category (Geiger) E	+\$54
Price Category F	+\$64
Price Category (Geiger) F	+\$64
Price Category G	+\$88
Price Category (Geiger) G	+\$88

Price Category (Geiger) H	+\$108
Price Category (Geiger) J	+\$152
Price Category (Geiger) L	+\$197
Price Category (Geiger) M	+\$220
Price Category (Geiger) R	+\$458
Price Category (Geiger) COL <input type="checkbox"/>	+\$43
Price Category (Geiger) COM <input type="checkbox"/>	+\$0

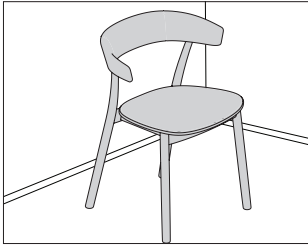
Step 7. Fire Retardancy

For upholstered seat, wood back (U)

NOCAL not fire retardant <input type="checkbox"/>	+\$0
----------------------------------------------------------	------

Leeway™ Wood Side Chair

SVWUA
SVWUW
SVWWA
SVWWW



Product Information

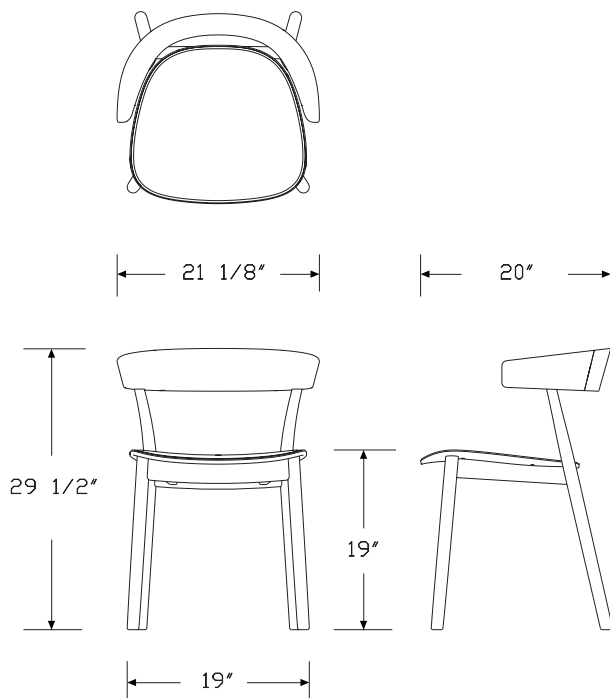
Description

This side chair has a solid wood frame available with or without an upholstered seat.

Notes

Customer's Own Material (COM) requires ¾ yard. Customer's Own Leather (COL) requires 13½ square feet. See Order Information in appendices.

Dimensions



Specification Information

Step 1.

SVW A

Step 2. Seat

U upholstered seat A

W wood seat A

Step 3. Wood Species

A ash A

W walnut A

Prices for Steps 1-3.

SVWUA	\$2194
SVWUW	\$2194
SVWWA	\$2057
SVWWW	\$2057

Step 4. Wood Finish

<i>For ash (A)</i>		
940	sundance cherry on maple, low sheen <input type="checkbox"/>	+\$0
943	caramel cherry, low sheen <input type="checkbox"/>	+\$0
946	cocoa cherry, low sheen <input type="checkbox"/>	+\$0
956	cocoa sapele, low sheen <input type="checkbox"/>	+\$0
962	toasted walnut, low sheen <input type="checkbox"/>	+\$0
963	charred walnut, low sheen <input type="checkbox"/>	+\$0
964	bronzed walnut, low sheen <input type="checkbox"/>	+\$0
965	smoked walnut, low sheen <input type="checkbox"/>	+\$0
966	coffee walnut, low sheen <input type="checkbox"/>	+\$0
967	smoked paldao, low sheen <input type="checkbox"/>	+\$0
969	warm paldao, low sheen <input type="checkbox"/>	+\$0
96A	recograin frosty ash, low sheen <input type="checkbox"/>	+\$0
96W	recograin walnut, low sheen <input type="checkbox"/>	+\$0
977	chocolate ash, low sheen <input type="checkbox"/>	+\$0
98R	recograin rosewood, low sheen <input type="checkbox"/>	+\$0
98W	recograin walnut, low sheen <input type="checkbox"/>	+\$0
991	champagne ash, low sheen <input type="checkbox"/>	+\$0
998	ebony ash, low sheen <input type="checkbox"/>	+\$0
99R	recograin rosewood, low sheen <input type="checkbox"/>	+\$0
99T	recograin teak, low sheen <input type="checkbox"/>	+\$0
99W	recograin walnut, low sheen <input type="checkbox"/>	+\$0
9A1	white ash, low sheen <input type="checkbox"/>	+\$0
9K1	rift oak, low sheen <input type="checkbox"/>	+\$0
9K6	burnt oak, low sheen <input type="checkbox"/>	+\$0
ED	aged cherry, low sheen <input type="checkbox"/>	+\$0
EK	medium red walnut, low sheen <input type="checkbox"/>	+\$0
G2U	light brown walnut, low sheen <input type="checkbox"/>	+\$0
G40	dark brown walnut, low sheen <input type="checkbox"/>	+\$0
UX	walnut on cherry, low sheen <input type="checkbox"/>	+\$0

<i>For ash (A)</i>		
662	toasted walnut, matte sheen <input type="checkbox"/>	+\$0
663	charred walnut, matte sheen <input type="checkbox"/>	+\$0
664	bronzed walnut, matte sheen <input type="checkbox"/>	+\$0
665	smoked walnut, matte sheen <input type="checkbox"/>	+\$0
666	coffee walnut, matte sheen <input type="checkbox"/>	+\$0
667	smoked paldao, matte sheen <input type="checkbox"/>	+\$0
669	warm paldao, matte sheen <input type="checkbox"/>	+\$0
66A	recograin frosty ash, matte sheen <input type="checkbox"/>	+\$0
66W	recograin walnut, matte sheen <input type="checkbox"/>	+\$0
677	chocolate ash, matte sheen <input type="checkbox"/>	+\$0
68R	recograin rosewood, matte sheen <input type="checkbox"/>	+\$0
68W	recograin walnut, matte sheen <input type="checkbox"/>	+\$0
69A	recograin frosty ash, matte sheen <input type="checkbox"/>	+\$0
69R	recograin rosewood, matte sheen <input type="checkbox"/>	+\$0
69T	recograin teak, matte sheen <input type="checkbox"/>	+\$0
69W	recograin walnut, matte sheen <input type="checkbox"/>	+\$0
6A1	white ash, matte sheen <input type="checkbox"/>	+\$0
6ET	clear on ash, ash solid, matte sheen <input type="checkbox"/>	+\$0
6EU	oak on ash, oak solid, matte sheen <input type="checkbox"/>	+\$0
6EV	walnut on ash, walnut solid, matte sheen <input type="checkbox"/>	+\$0
6K1	rift oak, matte sheen <input type="checkbox"/>	+\$0
6K6	burnt oak, matte sheen <input type="checkbox"/>	+\$0
ET	clear on ash, matte sheen <input type="checkbox"/>	+\$0
EU	oak on ash, matte sheen <input type="checkbox"/>	+\$0
EV	walnut on ash, matte sheen <input type="checkbox"/>	+\$0
GOU	walnut, matte sheen <input type="checkbox"/>	+\$0

<i>For walnut (W)</i>		
962	toasted walnut, low sheen <input type="checkbox"/>	+\$0
963	charred walnut, low sheen <input type="checkbox"/>	+\$0
964	bronzed walnut, low sheen <input type="checkbox"/>	+\$0
965	smoked walnut, low sheen <input type="checkbox"/>	+\$0
966	coffee walnut, low sheen <input type="checkbox"/>	+\$0
967	smoked paldao, low sheen <input type="checkbox"/>	+\$0
969	warm paldao, low sheen <input type="checkbox"/>	+\$0
972	sundance walnut, low sheen <input type="checkbox"/>	+\$0
98R	recograin rosewood, low sheen <input type="checkbox"/>	+\$0
EK	medium red walnut, low sheen <input type="checkbox"/>	+\$0
G2U	light brown walnut, low sheen <input type="checkbox"/>	+\$0
G40	dark brown walnut, low sheen <input type="checkbox"/>	+\$0

Leeway™ Wood Side Chair *continued*

For walnut (W)		
662	toasted walnut, matte sheen <input type="checkbox"/> A	+\$0
663	charred walnut, matte sheen <input type="checkbox"/> A	+\$0
664	bronzed walnut, matte sheen <input type="checkbox"/> A	+\$0
665	smoked walnut, matte sheen <input type="checkbox"/> A	+\$0
666	coffee walnut, matte sheen <input type="checkbox"/> A	+\$0
667	smoked paldao, matte sheen <input type="checkbox"/> A	+\$0
669	warm paldao, matte sheen <input type="checkbox"/> A	+\$0
68R	recograin rosewood, matte sheen <input type="checkbox"/> A	+\$0
69R	recograin rosewood, matte sheen <input type="checkbox"/> A	+\$0
6EV	walnut on ash, walnut solid, matte sheen <input type="checkbox"/> A	+\$0
EV	walnut on ash, matte sheen <input type="checkbox"/> A	+\$0
GOU	walnut, matte sheen <input type="checkbox"/> A	+\$0

Step 5. Fabric	
For upholstered seat (U)	
Price Category 1	+\$0
Price Category (Geiger) 1	+\$0
Price Category 2	+\$44
Price Category (Geiger) 2	+\$44
Price Category 3	+\$55
Price Category (Geiger) 3	+\$55
Price Category 4	+\$67
Price Category (Geiger) 4	+\$67
Price Category 5	+\$98
Price Category (Geiger) 5	+\$98
Price Category (Geiger) 6	+\$130
Price Category (Geiger) 7	+\$158
Price Category (Geiger) 8	+\$244
Price Category 9	+\$302
Price Category (Geiger) 9	+\$302
Price Category (Geiger) 10	+\$348
Price Category 11	+\$389
Price Category (Geiger) 11	+\$389
Price Category (Geiger) 14	+\$510
Price Category (Geiger) C	+\$79
Price Category D	+\$66
Price Category (Geiger) D	+\$66
Price Category (Geiger) E	+\$79
Price Category F	+\$96
Price Category (Geiger) F	+\$96
Price Category G	+\$88
Price Category (Geiger) G	+\$88
Price Category (Geiger) H	+\$161
Price Category (Geiger) J	+\$228
Price Category (Geiger) L	+\$295
Price Category (Geiger) M	+\$328

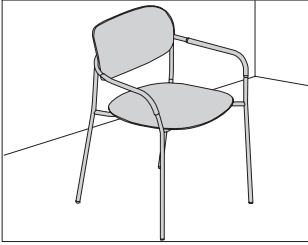
Price Category (Geiger) R	+\$688
Price Category (Geiger) COL <input type="checkbox"/> A	+\$65
Price Category (Geiger) COM <input type="checkbox"/> A	+\$0

Step 6. Fire Retardancy	
For upholstered seat (U)	
NOCAL not fire retardant <input type="checkbox"/> A	+\$0

HermanMiller Ancillary—Side & Stacking Chairs

Portrait™ Side Chair

SH1AS
SH1AU
SH1AW
SH1NS
SH1NU
SH1NW



Product Information

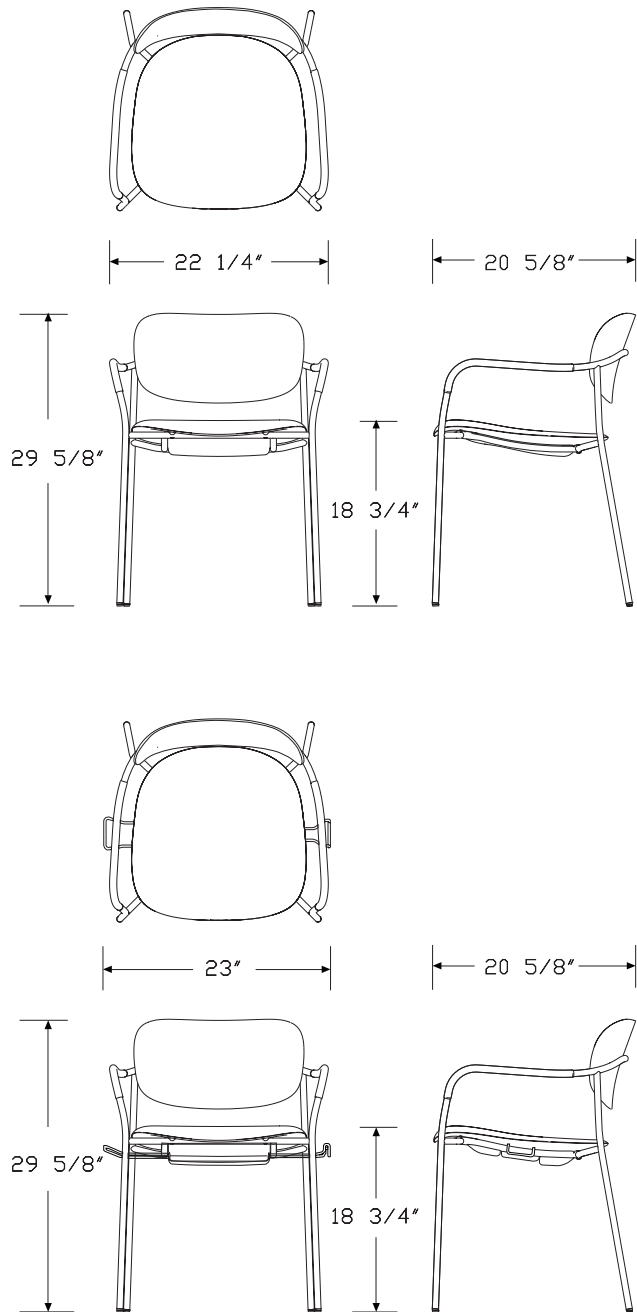
Description

This side chair has a solid wood seat and back with a metal frame. All options are available with or without an upholstered back and seat. Stacks up to 5 high.

Notes

Customer's Own Material (COM) requires 1.5 yards for upholstered seat and back (U) and 1 yard for upholstered seat, wood back (S). Customer's Own Leather (COL) requires 27 square feet for upholstered seat and back (U) and 18 yards for upholstered seat, wood back (S).

Dimensions



Specification Information

Step 1.

SH1 A

Step 2. Arms

A arms A

N no arms A

Step 3. Seat

U upholstered seat and back A

W wood seat and back A

S upholstered seat, wood back A

Step 4. Wood Species

For wood seat and back (W) or upholstered seat, wood back (S)

A ash A

W walnut A

Prices for Steps 1-4.

SH1AU \$1323

SH1AW A \$1200

W \$1263

SH1AS A \$1293

W \$1354

SH1NU \$1263

SH1NW A \$1077

W \$1138

SH1NS A \$1230

W \$1293

Step 5. Arm Wrap Option

For arms (A)

N no wrap A +\$0

W wrap A +\$225

Step 6. Frame Finish

BK black A +\$0

SAC satin chrome A +\$84

Step 7. Ganging Option

G ganging A +\$100

N no ganging A +\$0

Step 8. Seat/Back Finish

For wood seat and back (W) or upholstered seat, wood back (S) with ash (A)

A2 white ash A +\$0

EN ebony A +\$0

For wood seat and back (W) or upholstered seat, wood back (S) with walnut (W)

OU walnut A +\$0

Step 9. Fabric

For upholstered seat and back (U) or upholstered seat, wood back (S)

Price Category 8 +\$486

Price Category 1 +\$0

Price Category 2 +\$89

Price Category 3 +\$110

Price Category (Geiger) 3 +\$110

Price Category (Geiger) 4 +\$136

Price Category 5 +\$197

Price Category (Geiger) 5 +\$197

Price Category 7 +\$319

Price Category (Geiger) 7 +\$319

Price Category 9 +\$604

Price Category 10 +\$695

Price Category (Geiger) 10 +\$695

Price Category 11 +\$778

Price Category (Geiger) 11 +\$778

Price Category (Geiger) 14 +\$1019

Price Category B +\$71

Price Category (Geiger) C +\$100

Price Category (Geiger) D +\$132

Price Category (Geiger) G +\$191

Price Category (Geiger) H +\$323

Price Category (Geiger) L +\$589

Price Category (Geiger) M +\$655

Price Category R +\$1374

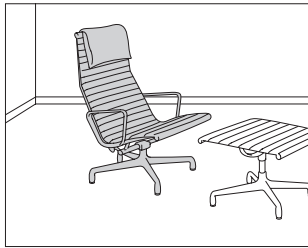
Portrait™ Side Chair *continued*

HermanMiller Ancillary–Side & Stacking Chairs

Step 10. Arm Wrap Fabric	
<i>For wrap (W)</i>	
Price Category 8	+\$486
Price Category (Geiger) 10	+\$695
Price Category 10	+\$695
Price Category 11	+\$778
Price Category 11	+\$778
Price Category R	+\$1374

Eames® Aluminum Group Lounge
Chair

EA316
EA322



Product Information

Description

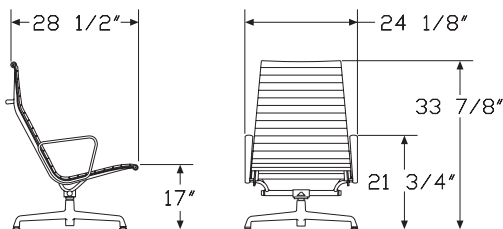
This low-back chair has a lightweight aluminum frame with suspended upholstery. It has a 4-star base with 1/2" (GD) glides for hard floors or carpet, swivel mechanism, and fixed seat height.

Notes

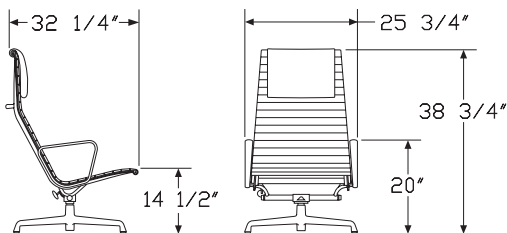
For description of glide, see Casters and Glides in Appendices.
 For chair without headrest (EA316), Customer's Own Material (COM) requires 1 3/4 yards. Customer's Own Leather (COL) requires 55 square feet. See Order Information in Appendices.
 For chair with headrest (EA322), Customer's Own Material (COM) requires 3 yards. Customer's Own Leather (COL) requires 55 square feet. See Order Information in Appendices.

Dimensions

Swivel



Tilt Swivel



Specification Information

Step 1.

EA3

Step 2. Tilt/Arms

- 16** swivel and arms
- 22** tilt swivel, arms, and headrest

Prices for Steps 1-2.

EA316	\$2888
EA322	\$3126

Step 3. Base/Frame Finish

G1	graphite (CP) <input type="checkbox"/>	+\$0
L	polished aluminum <input type="checkbox"/>	+\$0
BK	black <input type="checkbox"/>	+\$133
91	white (CP) <input type="checkbox"/>	+\$133
EP	eggplant <input type="checkbox"/>	+\$133

Step 4. Fabric

For swivel and arms (16)

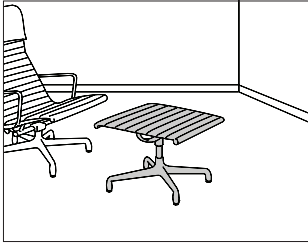
Price Category 1	+\$0
Price Category 2	+\$68
Price Category 3	+\$155
Price Category 4	+\$222
Price Category (Geiger) 4	+\$222
Price Category (DWR) 4	+\$185
Price Category 5	+\$246
Price Category (Geiger) 5	+\$246
Price Category 7	+\$298
Price Category (Geiger) 7	+\$298
Price Category 8	+\$533
Price Category 9	+\$768
Price Category (Geiger) 10	+\$869
Price Category 10M	+\$1157
Price Category 11	+\$1021
Price Category B	+\$68
Price Category C	+\$96
Price Category D	+\$124
Price Category E	+\$149
Price Category F	+\$193
Price Category G	+\$251
Price Category H	+\$305
Price Category J	+\$412
Price Category R	+\$1591

Eames® Aluminum Group Lounge Chair *continued*

HermanMiller Ancillary—Lounge Seating

For tilt swivel, arms, and headrest (22)

Price Category 1	+\$0
Price Category 2	+\$68
Price Category 3	+\$155
Price Category 4	+\$222
Price Category (Geiger) 4	+\$222
Price Category 5	+\$246
Price Category (Geiger) 5	+\$246
Price Category 7	+\$298
Price Category (Geiger) 7	+\$298
Price Category 8	+\$533
Price Category 9	+\$768
Price Category (Geiger) 10	+\$1175
Price Category 10M	+\$1285
Price Category 11	+\$1021
Price Category B	+\$68
Price Category C	+\$96
Price Category D	+\$124
Price Category F	+\$193
Price Category G	+\$251
Price Category H	+\$305
Price Category J	+\$412
Price Category R	+\$1591



Product Information

Description

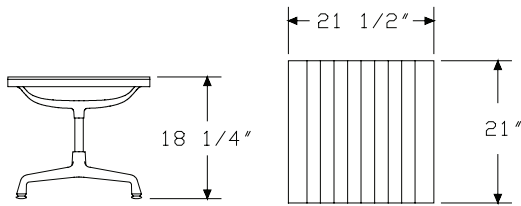
This upholstered ottoman has a lightweight aluminum frame and 1/2" (GD) glides for hard floors or carpet.

Notes

For description of glides, see Casters and Glides in Appendices.

Customer's Own Material (COM) requires 1 yard. Customer's Own Leather (COL) requires 20 square feet. See Order Information in Appendices.

Dimensions



Specification Information

Step 1.

EA323 [A] \$1391

Step 2. Base/Frame Finish

G1	graphite (CP) [A]	+\$0
L	polished aluminum [A]	+\$0
BK	black [A]	+\$69
91	white (CP) [A]	+\$69
EP	eggplant [A]	+\$69

Step 3. Fabric

See application chart and textiles list for fabric usage and numbers. First 2 digits of number indicate fabric line; remaining digit(s) indicate fabric color.

Price Category 1	+\$0
Price Category 2	+\$36
Price Category 3	+\$68
Price Category 4	+\$103
Price Category (Geiger) 4	+\$103
Price Category 5	+\$130
Price Category (Geiger) 5	+\$130
Price Category 7	+\$136
Price Category (Geiger) 7	+\$136
Price Category 8	+\$194
Price Category 9	+\$348
Price Category (Geiger) 10	+\$396
Price Category 10M	+\$463
Price Category 11	+\$410
Price Category B	+\$35
Price Category C	+\$52
Price Category D	+\$71
Price Category (DWR) 4	+\$86
Price Category E	+\$85
Price Category F	+\$110
Price Category G	+\$143
Price Category H	+\$174
Price Category J	+\$235
Price Category R	+\$776

Eames® Soft Pad Lounge Chair

EA416
EA422



HermanMiller Ancillary-Lounge Seating

Product Information

Description

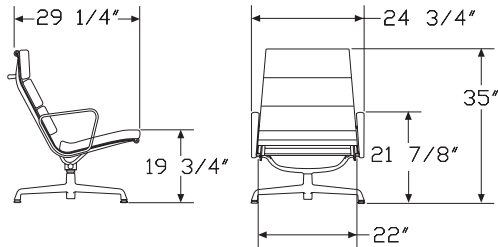
This high-back chair has a lightweight aluminum frame and 2" thick upholstered foam cushions. It has a 4-star base with 1/2" (GD) glides for hard floors or carpet and a fixed seat height.

Notes

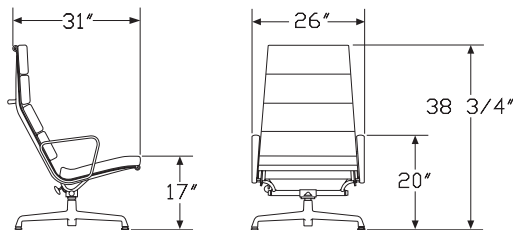
For description of glides, see Casters and Glides in Appendices.
Customer's Own Material (COM) requires 3 yards for 3-cushion chair and 4 yards for 4-cushion chair. Customer's Own Leather (COL) requires 56 square feet for 3-cushion chair and 63 square feet for 4-cushion chair. See Order Information in Appendices.

Dimensions

Swivel



Tilt Swivel



Specification Information

Step 1.

EA4 [A]

Step 2. Tilt/Number of Cushions/Arms

16 swivel, 3 cushions, and arms [A]

22 tilt swivel, 4 cushions, and arms [A]

Prices for Steps 1-2.

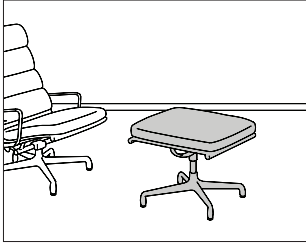
EA416	\$5018
EA422	\$5090

Step 3. Base/Frame Finish

G1 graphite (CP) [A]	+\$0
L polished aluminum [A]	+\$0
BK black [A]	+\$133
91 white (CP) [A]	+\$133
EP eggplant [A]	+\$133

Step 4. Fabric

Price Category 1	+\$0
Price Category 2	+\$88
Price Category 3	+\$203
Price Category 4	+\$324
Price Category (DWR) 4	+\$270
Price Category 5	+\$407
Price Category (Geiger) 5	+\$407
Price Category 7	+\$432
Price Category (Geiger) 7	+\$432
Price Category 8	+\$546
Price Category 9	+\$779
Price Category 10	+\$959
Price Category (Geiger) 10	+\$803
Price Category 10M	+\$1352
Price Category 11	+\$1158
Price Category B	+\$119
Price Category C	+\$167
Price Category D	+\$211
Price Category E	+\$256
Price Category F	+\$330
Price Category G	+\$430
Price Category H	+\$522
Price Category I	+\$613
Price Category J	+\$706
Price Category L	+\$888
Price Category P	+\$1255
Price Category R	+\$2518



Product Information

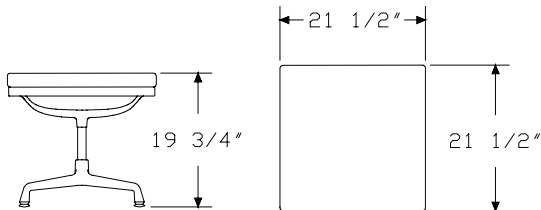
Description

This ottoman has a lightweight aluminum frame, a 2"-thick upholstered foam cushion, and 1/2" (GD) glides for hard floors or carpet.

Notes

For description of glides, see Casters and Glides in Appendices.
 Customer's Own Material (COM) requires 1 1/4 yards. Customer's Own Leather (COL) requires 27 square feet. See Order Information in Appendices.

Dimensions



Specification Information

Step 1.

EA423 [A] \$2126

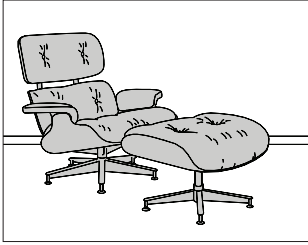
Step 2. Base/Frame Finish

G1	graphite (CP) [A]	+\$0
L	polished aluminum [A]	+\$0
BK	black [A]	+\$69
91	white (CP) [A]	+\$69
EP	eggplant [A]	+\$69

Step 3. Fabric

See application chart and textiles list for fabric usage and numbers. First 2 digits of number indicate fabric line; remaining digit(s) indicate fabric color.

Price Category 1	+\$0
Price Category 2	+\$86
Price Category 3	+\$130
Price Category 4	+\$161
Price Category 5	+\$178
Price Category (Geiger) 5	+\$178
Price Category 7	+\$173
Price Category (Geiger) 7	+\$173
Price Category 8	+\$263
Price Category 9	+\$382
Price Category 10	+\$353
Price Category (Geiger) 10	+\$431
Price Category 10M	+\$652
Price Category 11	+\$545
Price Category B	+\$43
Price Category C	+\$67
Price Category D	+\$89
Price Category (DWR) 4	+\$134
Price Category E	+\$106
Price Category F	+\$138
Price Category G	+\$179
Price Category H	+\$217
Price Category I	+\$256
Price Category J	+\$294
Price Category L	+\$371
Price Category P	+\$523
Price Category R	+\$792



HermanMiller Ancillary—Lounge Seating

Product Information

Description

This fixed-height chair has a molded veneer seat and back shell; the ottoman has a molded veneer shell. Both the chair and ottoman have foam cushions, available with leather or textile upholstery, and a black enameled base with polished aluminum accents. The chair has a swivel mechanism.

Notes

Santos palisander veneer is celebrated for its unique grain and color variations. Similar products ordered in multiples or dissimilar products ordered separately should be expected to have variation in both grain and color characteristics.

The Eames® Lounge is handcrafted and should be celebrated as such. No two chairs are alike.

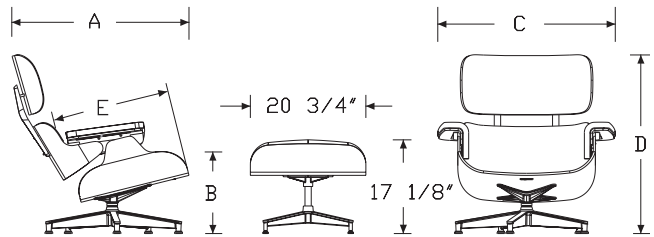
Dimensions should be noted as reference guides and can vary up to 3/4". See illustration with dimensional chart for standard and tall versions. Description of dimensions is below.

Given the degree of variation, below are the exact points from which dimensions are taken (reference to panel relates to the wood panel of chair shell):

- A—Overall Depth is taken from front of seat panel to top of back panel.
- B—Sit Height is taken from highest point of seat cushion to the floor.
- C—Overall Width is measured from the outside edge of each arm rest.
- D—Overall Height is measured from top of back panel to the floor.
- E—Seat Depth is taken from where seat cushion meets bottom back panel cushion to front of seat panel.

Customer's Own Leather (COL) for the classic size (ES67071) requires 55 square feet, and for the tall size (ES67071T) requires 70 square feet. See Order Information in Appendices.

Dimensions



Size	A	B	C	D	E
Classic	35"	16"	33 1/2"	31 1/2"	21 1/4"
Tall	37 3/4"	16 1/2"	33 1/2"	33 1/4"	23 1/4"

Eames® Lounge Chair and Ottoman

continued

Specification Information

Step 1.

ES6707

Step 2. Size

1 classic

1T tall

Prices for Steps 1-2.

ES6707 1	\$7786
1T	\$8123

Step 3. Shell Finish

OU walnut +\$0

5Q oiled walnut +\$979

9N santos palisander +\$1014

5D oiled santos palisander +\$1977

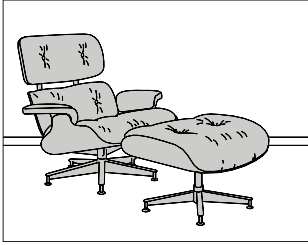
WHN white oak +\$0

Step 4. Material

See application chart and textiles list for fabric usage and numbers. First 2 digits of number indicate fabric line; remaining digit(s) indicate fabric color.

Price Category 7 <input type="checkbox"/>	+\$360
Price Category 8	+\$574
Price Category 9	+\$734
Price Category (Geiger) 10	+\$922
Price Category 10M	+\$1660
Price Category 11	+\$1072
Price Category (Geiger) 11	+\$1109
Price Category K	+\$1346
Price Category P	+\$1470
Price Category R	+\$1940

Eames® Lounge Chair and Ottoman, ES670
Ebony



HermanMiller Ancillary—Lounge Seating

Product Information

Description

This fixed-height chair and ottoman has a molded ebony ash plywood shell and foam cushions with leather or textile upholstery. The chair base, back supports, and ottoman base are black enamel with aluminum accents. The chair has a swivel mechanism.

Notes

The Eames® Lounge is handcrafted and should be celebrated as such. No two chairs are alike.

Dimensions should be noted as reference guides and can vary up to 3/4". See illustration with dimensional chart for standard and tall versions. Description of dimensions is below.

Given the degree of variation, below are the exact points from which dimensions are taken (reference to panel relates to the wood panel of chair shell):

A—Overall Depth is taken from front of seat panel to top of back panel.

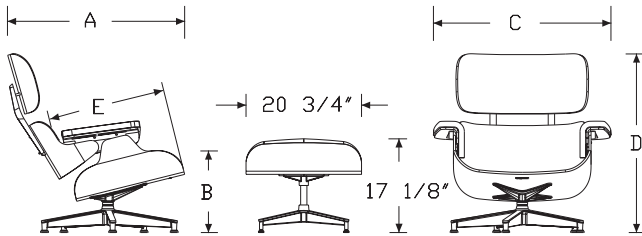
B—Sit Height is taken from highest point of seat cushion to the floor.

C—Overall Width is measured from the outside edge of each arm rest.

D—Overall Height is measured from top of back panel to the floor.

E—Seat Depth is taken from where seat cushion meets bottom back panel cushion to front of seat panel.

Dimensions



Size	A	B	C	D	E
Classic	35"	16"	33 1/2"	31 1/2"	21 1/4"
Tall	37 3/4"	16 1/2"	33 1/2"	33 1/4"	23 1/4"

Specification Information

Step 1.

ES67071E A

Step 2. Size

N classic A

NT tall A

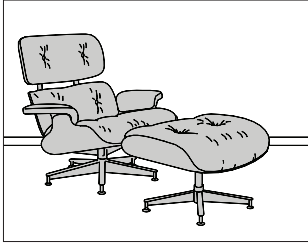
Prices for Steps 1-2.

ES67071E N	\$8533
NT	\$8835

Step 3. Material

Price Category 7 <input type="checkbox"/> A	+\$360
Price Category 8	+\$574
Price Category 9	+\$734
Price Category 10M	+\$1660
Price Category 11	+\$1072
Price Category K	+\$1346
Price Category P	+\$1470
Price Category R	+\$1940

Eames® Lounge Chair and Ottoman ES670
White Ash



Product Information

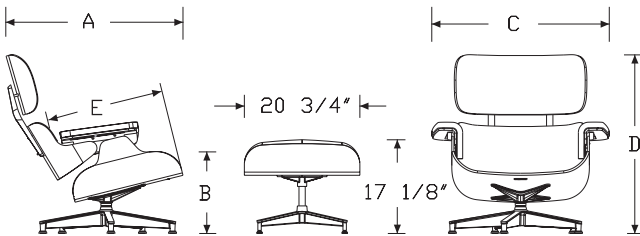
Description

This fixed-height chair and ottoman has a molded white ash plywood shell and foam cushions with leather or textile upholstery. The chair base, back supports, and ottoman base are white enamel with aluminum accents. The chair has a swivel mechanism.

Notes

The Eames® Lounge is handcrafted and should be celebrated as such. No two chairs are alike.
 Dimensions should be noted as reference guides and can vary up to 3/4". See illustration with dimensional chart for standard and tall versions. Description of dimensions is below.
 Given the degree of variation, below are the exact points from which dimensions are taken (reference to panel relates to the wood panel of chair shell):
 A—Overall Depth is taken from front of seat panel to top of back panel.
 B—Sit Height is taken from highest point of seat cushion to the floor.
 C—Overall Width is measured from the outside edge of each arm rest.
 D—Overall Height is measured from top of back panel to the floor.
 E—Seat Depth is taken from where seat cushion meets bottom back panel cushion to front of seat panel.

Dimensions



Size	A	B	C	D	E
Classic	35"	16"	33 1/2"	31 1/2"	21 1/4"
Tall	37 3/4"	16 1/2"	33 1/2"	33 1/4"	23 1/4"

Specification Information

Step 1.

ES67071R A

Step 2. Size

E classic A

ET tall A

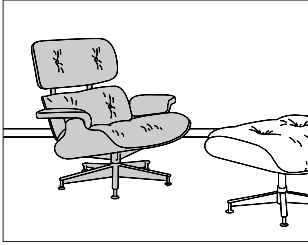
Prices for Steps 1-2.

ES67071R E	\$8533
ET	\$8835

Step 3. Material

See application chart and textiles list for fabric usage and numbers. First 2 digits of number indicate fabric line; remaining digit(s) indicate fabric color.

Price Category 7 <input type="checkbox"/> A	+\$360
Price Category 8	+\$574
Price Category 9	+\$734
Price Category 10M	+\$1660
Price Category 11	+\$1072
Price Category K	+\$1346
Price Category P	+\$1470
Price Category R	+\$1940



Product Information

Description

This fixed-height chair has a molded veneer seat and back shell. It has foam cushions with leather or textile upholstery, a black enameled base with polished aluminum accents, and a swivel mechanism.

Notes

Santos palisander veneer is celebrated for its unique grain and color variations. Similar products ordered in multiples or dissimilar products ordered separately should be expected to have variation in both grain and color characteristics.

The Eames® Lounge is handcrafted and should be celebrated as such. No two chairs are alike.

Dimensions should be noted as reference guides and can vary up to 3/4". See illustration with dimensional chart for standard and tall versions. Description of dimensions is below.

Given the degree of variation, below are the exact points from which dimensions are taken (reference to panel relates to the wood panel of chair shell):

A—Overall Depth is taken from front of seat panel to top of back panel.

B—Sit Height is taken from highest point of seat cushion to the floor.

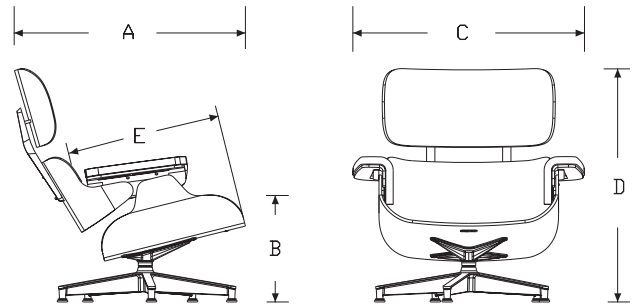
C—Overall Width is measured from the outside edge of each arm rest.

D—Overall Height is measured from top of back panel to the floor.

E—Seat Depth is taken from where seat cushion meets bottom back panel cushion to front of seat panel.

Customer's Own Leather (COL) for the classic size (ES670) requires 40 square feet, and for the tall size (ES670T) requires 55 square feet. See Order Information in appendices.

Dimensions



Size	A	B	C	D	E
Classic	35"	16"	33 1/2"	31 1/2"	21 1/4"
Tall	37 3/4"	16 1/2"	33 1/2"	33 1/4"	23 1/4"

Specification Information

Step 1.

ES67 A

Step 2. Size

0 classic A

0T tall A

Prices for Steps 1-2.

ES670	\$6394
ES670T	\$6640

Step 3. Shell Finish

OU walnut A +\$0

5Q oiled walnut A +\$731

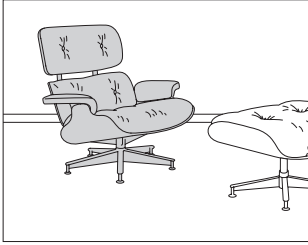
9N santos palisander A +\$812

5D oiled santos palisander A +\$1476

WHN white oak A +\$0

Step 4. Material

Price Category 7 <input type="checkbox"/> A	+\$346
Price Category 8	+\$459
Price Category 9	+\$538
Price Category (Geiger) 10	+\$752
Price Category 10M	+\$1217
Price Category 11	+\$781
Price Category (Geiger) 11	+\$806
Price Category K	+\$1140
Price Category P	+\$1200
Price Category R	+\$1823



Product Information

Description

This fixed-height chair has a molded ebony ash plywood shell and foam cushions with leather or textile upholstery. The chair base and back supports are black enamel with aluminum accents. The chair has a swivel mechanism.

Notes

The Eames® Lounge is handcrafted and should be celebrated as such. No two chairs are alike.

Dimensions should be noted as reference guides and can vary up to 3/4". See illustration with dimensional chart for standard and tall versions. Description of dimensions is below.

Given the degree of variation, below are the exact points from which dimensions are taken (reference to panel relates to the wood panel of chair shell):

A—Overall Depth is taken from front of seat panel to top of back panel.

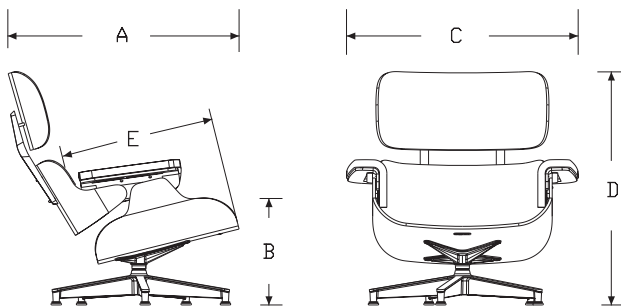
B—Sit Height is taken from highest point of seat cushion to the floor.

C—Overall Width is measured from the outside edge of each arm rest.

D—Overall Height is measured from top of back panel to the floor.

E—Seat Depth is taken from where seat cushion meets bottom back panel cushion to front of seat panel.

Dimensions



Size	A	B	C	D	E
Classic	35"	16"	33 1/2"	31 1/2"	21 1/4"
Tall	37 3/4"	16 1/2"	33 1/2"	33 1/4"	23 1/4"

Specification Information

Step 1.

ES670 A

Step 2. Size

EN classic A

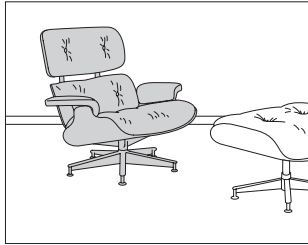
ENT tall A

Prices for Steps 1-2.

ES670 EN	\$6714
ENT	\$7012

Step 3. Material

Price Category 7 <input type="checkbox"/> A	+\$346
Price Category 8	+\$459
Price Category 9	+\$564
Price Category 10M	+\$1217
Price Category 11	+\$781
Price Category K	+\$1140
Price Category P	+\$1200
Price Category R	+\$1823



Product Information

Description

This fixed-height chair has a molded white ash plywood shell and foam cushions with leather or textile upholstery. The chair base and back supports are white enamel with aluminum accents. The chair has a swivel mechanism.

Notes

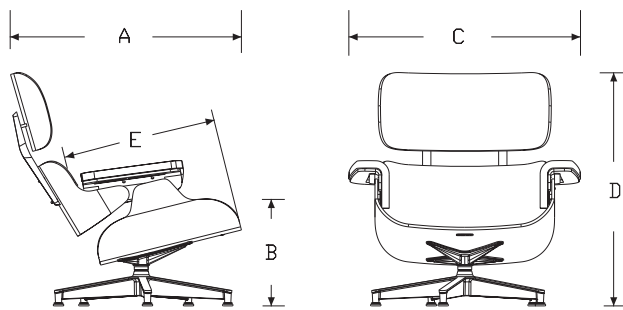
The Eames® Lounge is handcrafted and should be celebrated as such. No two chairs are alike.

Dimensions should be noted as reference guides and can vary up to 3/4". See illustration with dimensional chart for standard and tall versions. Description of dimensions is below.

Given the degree of variation, below are the exact points from which dimensions are taken (reference to panel relates to the wood panel of chair shell):

- A—Overall Depth is taken from front of seat panel to top of back panel.
- B—Sit Height is taken from highest point of seat cushion to the floor.
- C—Overall Width is measured from the outside edge of each arm rest.
- D—Overall Height is measured from top of back panel to the floor.
- E—Seat Depth is taken from where seat cushion meets bottom back panel cushion to front of seat panel.

Dimensions



Size	A	B	C	D	E
Classic	35"	16"	33 1/2"	31 1/2"	21 1/4"
Tall	37 3/4"	16 1/2"	33 1/2"	33 1/4"	23 1/4"

Specification Information

Step 1.

ES670 A

Step 2. Size

RE classic A

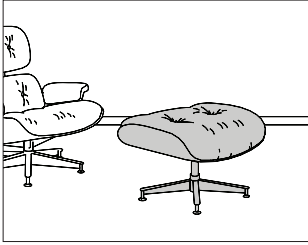
RET tall A

Prices for Steps 1-2.

ES670 RE	\$6714
RET	\$7012

Step 3. Material

Price Category 7 <input type="checkbox"/> A	+\$346
Price Category 8	+\$459
Price Category 9	+\$564
Price Category 10M	+\$1217
Price Category 11	+\$781
Price Category K	+\$1140
Price Category P	+\$1200
Price Category R	+\$1823



Product Information

Description

This ottoman has a molded veneer shell, foam cushion with leather or textile upholstery, and black enameled base with polished aluminum accents.

Notes

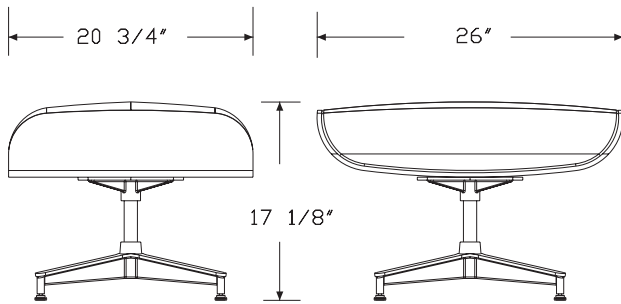
Santos palisander veneer is celebrated for its unique grain and color variations. Similar products ordered in multiples or dissimilar products ordered separately should be expected to have variation in both grain and color characteristics.

The Eames® Lounge is handcrafted and should be celebrated as such. No two chairs are alike.

Dimensions should be noted as reference guides and can vary up to 3/4".

Customer's Own Leather (COL) requires 15 square feet. See Order Information in Appendices.

Dimensions



Specification Information

Step 1.

ES671 [A] \$2368

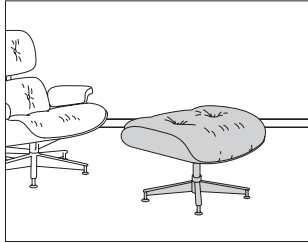
Step 2. Shell Finish

OU	walnut [A]	+\$0
9N	santos palisander [A]	+\$301
5Q	oiled walnut [A]	+\$335
5D	oiled santos palisander [A]	+\$621
WHN	white oak [A]	+\$0

Step 3. Material

See application chart and textiles list for fabric usage and numbers. First 2 digits of number indicate fabric line; remaining digit(s) indicate fabric color.

Price Category 7	+\$128
Price Category 8	+\$165
Price Category 9	+\$197
Price Category (Geiger) 10	+\$250
Price Category 10M	+\$482
Price Category 11	+\$290
Price Category (Geiger) 11	+\$302
Price Category K	+\$420
Price Category P	+\$480
Price Category R	+\$830



Product Information

Description

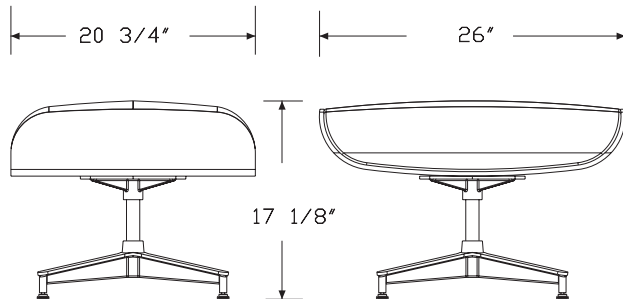
This ottoman has a molded ebony ash veneer shell, foam cushion with leather or textile upholstery, and a black enamel base with aluminum accents.

Notes

The Eames® Lounge is handcrafted and should be celebrated as such. No two chairs are alike.

Dimensions should be noted as reference guides and can vary up to 3/4".

Dimensions



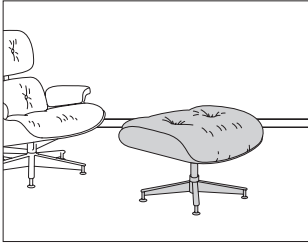
Specification Information

Step 1.

ES671EN A \$2594

Step 2. Material

Price Category 7	+\$128
Price Category 8	+\$165
Price Category 9	+\$197
Price Category 10M	+\$482
Price Category 11	+\$290
Price Category K	+\$420
Price Category P	+\$480
Price Category R	+\$830



HermanMiller Ancillary-Lounge Seating

Product Information

Description

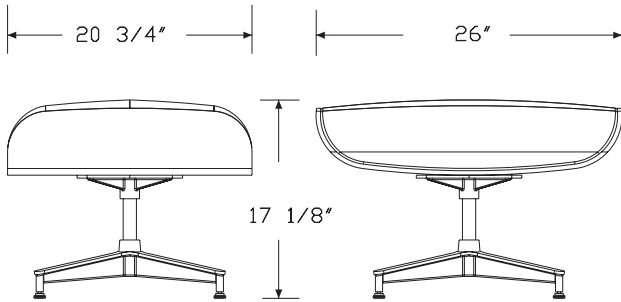
This ottoman has a molded plywood shell, foam cushion with leather or textile upholstery, and a white enamel base with aluminum accents.

Notes

The Eames® Lounge is handcrafted and should be celebrated as such. No two chairs are alike.

Dimensions should be noted as reference guides and can vary up to 3/4".

Dimensions



Specification Information

Step 1.

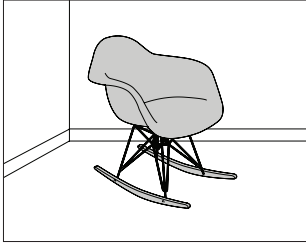
ES671RE [A] \$2594

Step 2. Material

Price Category 7	+\$128
Price Category 8	+\$165
Price Category 9	+\$197
Price Category 10M	+\$482
Price Category 11	+\$290
Price Category K	+\$420
Price Category P	+\$480
Price Category R	+\$830

Eames® Molded Plastic Armchair
Rocker Base

RAR.

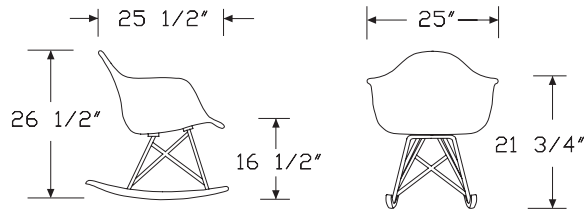


Product Information

Description

This chair has a single-piece molded seat and back with arms, waterfall edges, and chrome or black legs with solid-maple or walnut rockers.

Dimensions



Specification Information

Step 1.

RA

Step 2. Base Option

R. rocker base with nonupholstered shell

Prices for Steps 1-2.

RAR. \$988

Step 3. Base Finish

91	white (CP) <input type="checkbox"/> A	+\$0
BK	black	+\$0
47	trivalent chrome	+\$20

Step 4. Rocker Finish

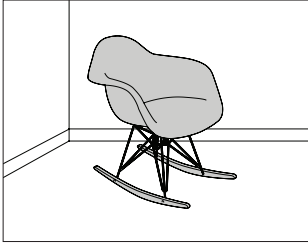
UL	natural maple	+\$0
A2	white ash <input type="checkbox"/> A	+\$30
OU	walnut	+\$30
WHN	natural white oak <input type="checkbox"/> A	+\$30

Step 5. Seat/Back Finish

BKR	brick red	+\$0
BLG	blue green	+\$0
CC1	cocoa	+\$0
DYL	deep yellow	+\$0
EVG	evergreen	+\$0
LTY	light grey	+\$0
MGR	medium grey	+\$0
PBU	pale blue	+\$0
RYG	grey green	+\$0
ZA	black	+\$0
ZE	red orange	+\$0
ZF	white	+\$0

Eames® Upholstered Molded Plastic Armchair Rocker Base

RAR.



HermanMiller Ancillary-Lounge Seating

Product Information

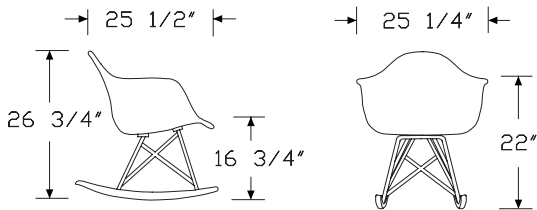
Description

This chair has a single-piece molded plastic shell with waterfall edges and upholstered seat, back, and arms or an upholstered seat pad. Legs are chrome, black or white with solid maple, ash or walnut rockers.

Notes

For upholstered seat pad (P), Customer's Own Material (COM) requires 1/2 yard. Customer's Own Leather (COL) requires 9 square feet. See Order Information in appendices.

Dimensions



Specification Information

Step 1.

RA

Step 2. Base and Upholstery Option

R. rocker base

Step 3. Upholstery

U fully upholstered shell

P upholstered seat pad

Prices for Steps 1-3.

RAR. U	\$1343
P	\$1159

Step 4. Base Finish

91 white (CP)	+\$0
BK black	+\$0
47 trivalent chrome	+\$20

Step 5. Rocker Finish

UL natural maple <input type="checkbox"/>	+\$0
A2 white ash <input type="checkbox"/>	+\$30
OU walnut <input type="checkbox"/>	+\$30
WHN natural white oak <input type="checkbox"/>	+\$30

Step 6. Back Finish

BKR brick red <input type="checkbox"/>	+\$0
BLG blue green <input type="checkbox"/>	+\$0
CC1 cocoa <input type="checkbox"/>	+\$0
DYL deep yellow <input type="checkbox"/>	+\$0
EVG evergreen <input type="checkbox"/>	+\$0
LTY light grey <input type="checkbox"/>	+\$0
MGR medium grey <input type="checkbox"/>	+\$0
PBU pale blue <input type="checkbox"/>	+\$0
RYG grey green <input type="checkbox"/>	+\$0
ZA black <input type="checkbox"/>	+\$0
ZE red orange <input type="checkbox"/>	+\$0
ZF white <input type="checkbox"/>	+\$0

Step 7. Edge Finish

For fully upholstered shell (U)

111 parchment <input type="checkbox"/>	+\$0
BK black <input type="checkbox"/>	+\$0
ZF white <input type="checkbox"/>	+\$0

Eames® Upholstered Molded Plastic
 Armchair Rocker Base *continued*

Step 8. Fabric

For fully upholstered shell (U)

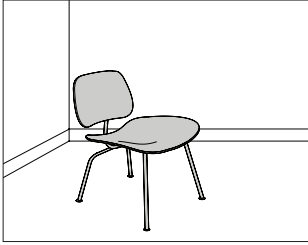
Price Category 2	+\$44
Price Category 4	+\$50
Price Category 5	+\$73
Price Category B	+\$36
Price Category H	+\$254
Price Category J	+\$348
Price Category K	+\$456

For upholstered seat pad (P)

Price Category 1	+\$0
Price Category 2	+\$31
Price Category 3	+\$36
Price Category 4	+\$41
Price Category 5	+\$73
Price Category (Geiger) 5	+\$73
Price Category (Geiger) 6	+\$97
Price Category 7	+\$133
Price Category (Geiger) 7	+\$133
Price Category 8	+\$175
Price Category 9	+\$259
Price Category 10	+\$281
Price Category 11	+\$314
Price Category B	+\$36
Price Category C	+\$60
Price Category D	+\$83
Price Category F	+\$154
Price Category G	+\$204
Price Category I	+\$300
Price Category K	+\$456
Price Category R	+\$793

Eames® Molded Plywood Lounge
Chair Metal Base

LCM.



HermanMiller Ancillary—Lounge Seating

Product Information

Description

This 26½"-high molded plywood chair has natural face veneers, hardwood inner plies, and a 5-ply seat and back. It has a polished chrome-plated 4-leg base and self-leveling nylon glides. When upholstered, the back and seat shells have exposed veneer on their backside.

Notes

Red stain (11) shell finish is on birch veneer. This stain allows the wood grain to show through; inner plies are visible. Natural variations in wood grain may affect the appearance of this stain color.

Ebony (EN) shell finish is stain on ash veneer; inner plies are not as visible.

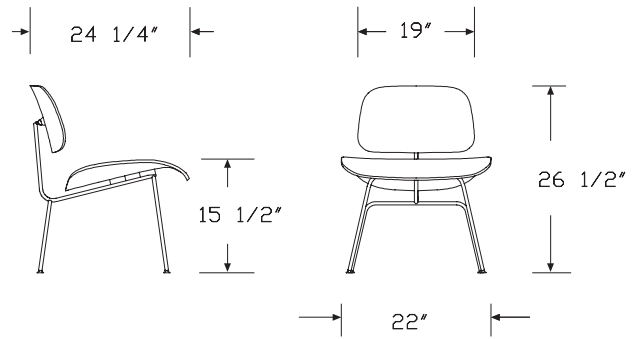
Santos palisander veneer is celebrated for its unique grain and color variations. Similar products ordered in multiples or dissimilar products ordered separately should be expected to have variation in both grain and color characteristics; no two products will look exactly alike.

Black (BK) base finish has black glides. Trivalent chrome (47) base finish has white glides.

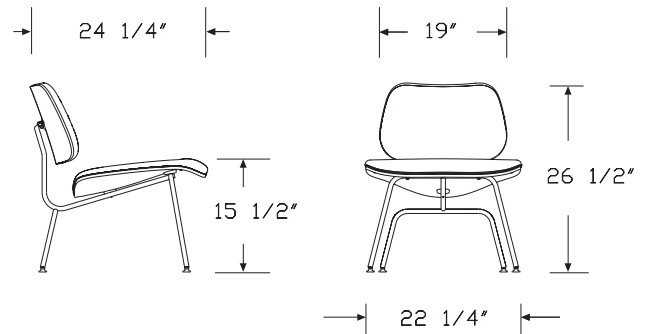
Avoid placement in direct sunlight.

Customer's Own Material (COM) requires 1 yard. Customer's Own Leather (COL), requires 24 square feet. See COM Information in Appendices for additional information.

Dimensions



nonupholstered



upholstered

Eames® Molded Plywood Lounge
Chair Metal Base *continued*

Specification Information

Step 1.

LC A

Step 2. Upholstery

M. nonupholstered shell A

M.U. upholstered shell A

Prices for Steps 1-2.

LCM. \$1164

LCM.U \$1843

Step 3. Base Finish

BK black A +\$0

47 trivalent chrome A +\$20

Step 4. Shell Finish

Wood Veneer

For nonupholstered shell (M.)

OU walnut A +\$0

11 red stain A +\$115

A2 white ash A +\$115

EN ebony A +\$115

9N santos palisander A +\$285

Wood Veneer

For upholstered shell (M.U)

OU walnut A +\$0

11 red stain A +\$115

A2 white ash A +\$115

EN ebony A +\$115

9N santos palisander A +\$285

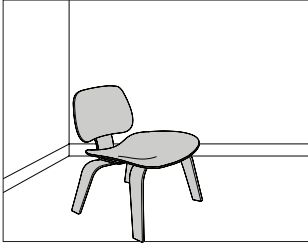
Step 5. Fabric

For upholstered shell (M.U)

Price Category 1	+\$0
Price Category 2	+\$36
Price Category 3	+\$68
Price Category 4	+\$103
Price Category (Geiger) 4	+\$103
Price Category 5	+\$121
Price Category (Geiger) 5	+\$108
Price Category (Geiger) 6	+\$137
Price Category 7	+\$217
Price Category (Geiger) 7	+\$217
Price Category 8	+\$283
Price Category 9	+\$482
Price Category 9	+\$482
Price Category 10	+\$575
Price Category (Geiger) 10	+\$575
Price Category 11	+\$692
Price Category 14	+\$749
Price Category C	+\$55
Price Category D	+\$71
Price Category E	+\$85
Price Category F	+\$110
Price Category G	+\$143
Price Category H	+\$174
Price Category I	+\$204
Price Category J	+\$235
Price Category K	+\$265
Price Category L	+\$296
Price Category M	+\$326
Price Category N	+\$358
Price Category O	+\$388
Price Category P	+\$419
Price Category Q	+\$450
Price Category R	+\$853

Eames® Molded Plywood Lounge
Chair Wood Base

LCW.



HermanMiller Ancillary-Lounge Seating

Product Information

Description

This 26½"-high molded plywood chair has natural face veneers, hardwood inner plies, a 5-ply seat and back, and 8-ply legs. When upholstered, the back and seat shells have exposed veneer on their backside.

Notes

Red stain (11) shell finish is on birch veneer. This stain allows the wood grain to show through; inner plies are visible. Natural variations in wood grain may affect the appearance of this stain color.

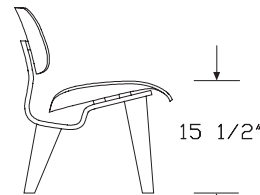
Ebony (EN) shell finish is stain on ash veneer; inner plies are not as visible. Santos palisander veneer is celebrated for its unique grain and color variations. Similar products ordered in multiples or dissimilar products ordered separately should be expected to have variation in both grain and color characteristics; no two products will look exactly alike.

Avoid placement in direct sunlight.

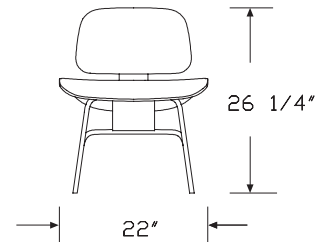
Customer's Own Material (COM) requires 1 yard. Customer's Own Leather (COL), requires 24 square feet. See COM Information in Appendices for additional information.

Dimensions

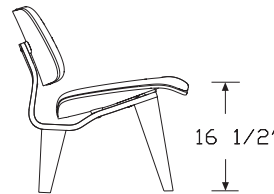
← 25 1/4" →



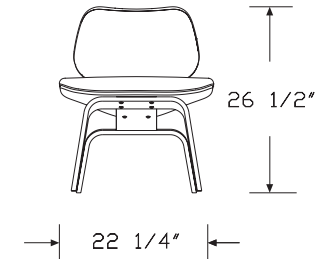
nonupholstered



← 25" →



upholstered



Eames® Molded Plywood Lounge
Chair Wood Base *continued*

Specification Information

Step 1.

LC A

Step 2. Upholstery

W. nonupholstered shell A

W.U. upholstered shell A

Prices for Steps 1-2.

LCW. \$1536

LCW.U \$2168

Step 3. Finish

For nonupholstered shell (W.)

OU walnut A +\$0

11 red stain A +\$154

A2 white ash A +\$154

DYL deep yellow A +\$154

EN ebony A +\$154

FRN forest stain A +\$154

9N santos palisander A +\$575

For upholstered shell (W.U)

OU walnut A +\$0

11 red stain A +\$154

A2 white ash A +\$154

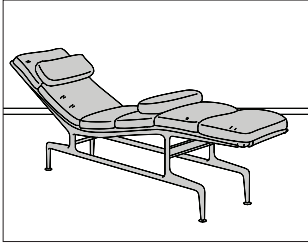
EN ebony A +\$154

9N santos palisander A +\$575

Step 4. Fabric

For upholstered shell (W.U)

Price Category 1	+\$0
Price Category 2	+\$36
Price Category 3	+\$68
Price Category 4	+\$103
Price Category (Geiger) 4	+\$103
Price Category 5	+\$121
Price Category (Geiger) 5	+\$108
Price Category (Geiger) 6	+\$137
Price Category 7	+\$217
Price Category (Geiger) 7	+\$217
Price Category 8	+\$283
Price Category 9	+\$482
Price Category 9	+\$482
Price Category 10	+\$575
Price Category (Geiger) 10	+\$575
Price Category 11	+\$692
Price Category 14	+\$749
Price Category C	+\$55
Price Category D	+\$71
Price Category E	+\$85
Price Category F	+\$110
Price Category G	+\$143
Price Category H	+\$174
Price Category I	+\$204
Price Category J	+\$235
Price Category K	+\$265
Price Category L	+\$296
Price Category M	+\$326
Price Category N	+\$358
Price Category O	+\$388
Price Category P	+\$419
Price Category Q	+\$450
Price Category R	+\$853



HermanMiller Ancillary-Lounge Seating

Product Information

Description

This chaise has 6 2"-thick foam cushions with leather upholstery supported by a fabric sling. It has nylon glides and includes 2 loose cushions.

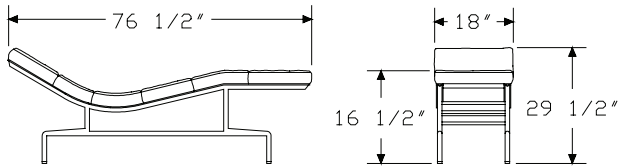
Notes

COL requires 65 square feet.

When pearl MCL leather (1R01) is specified, the fabric sling will be white.

When black MCL leather (1R10) is specified, the fabric sling will be black.

Dimensions



Specification Information

Step 1.

ES106 [A] \$9735

Step 2. Frame Finish

91 white (CP) [A] +\$450

EP eggplant [A] +\$450

Step 3. Leather

See application chart and textiles list for fabric usage and numbers. First 2 digits of number indicate fabric line; remaining digit(s) indicate fabric color.

For white (CP) (91)

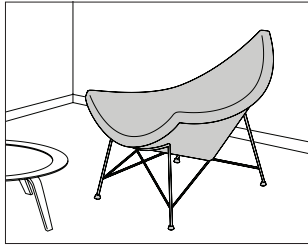
Price Category R +\$2519

Price Category 11 +\$1423

For eggplant (EP)

Price Category R +\$2519

Price Category 11 +\$1423

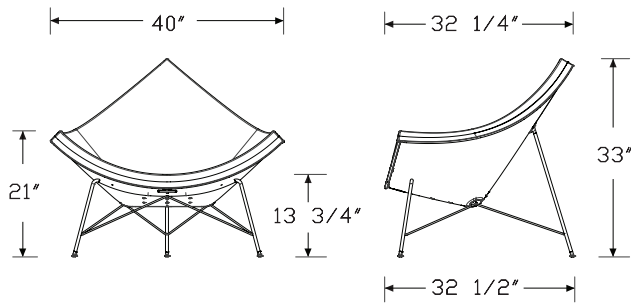


Product Information

Description

This chair has a 1-piece foam cushion upholstered in black leather, a white molded plastic shell, and a polished chrome base.

Dimensions



Specification Information

Step 1.

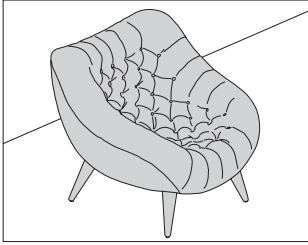
5569. [A] \$4928

Step 2. Base Option

91 white (CP) [A] +\$0
 47 trivalent chrome [A] +\$50

Step 3. Upholstery

Price Category 7 +\$350
 Price Category 8 +\$400
 Price Category D +\$300
 Price Category K +\$2700



Product Information

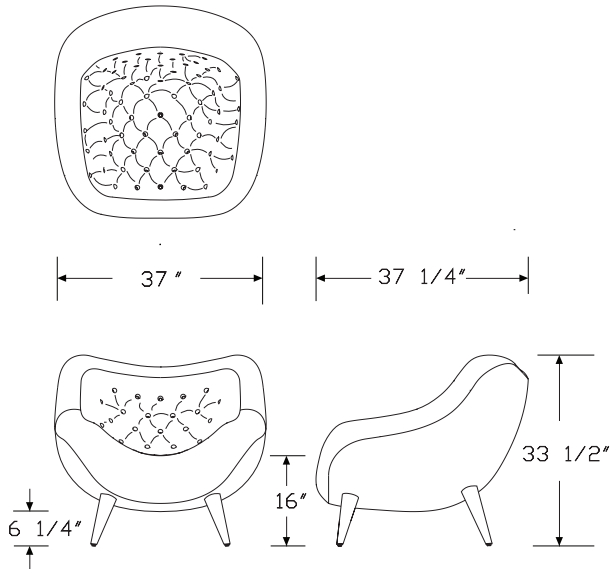
Description

This easy chair has a tufted seat cushion with a smooth upholstered back. Internal cushion is high-resiliency foam with polyester fiber wrap, and internal frame is rigid polyurethane foam. Chair offers a sit height of 17", depth of 22", seat pitch of 7°, and back pitch of 34°. Rounded legs are fashioned from solid wood.

Notes

Legs are natural hardwood. Similar products ordered in multiples or dissimilar products ordered separately should be expected to have variation in both grain and color characteristics; no two products will look exactly alike. Customer's Own Material (COM) requires 6 yards. Customer's Own Leather (COL) requires 110 square feet. See Order Information in appendices.

Dimensions



Specification Information

Step 1.

EC4150. [A] \$5450

Step 2. Leg Finish

OU walnut [A] +\$200
WHN natural white oak [A] +\$0

Step 3. Fire Retardancy

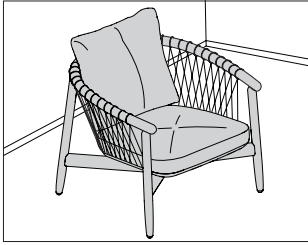
NFR not fire retardant [A] +\$0
CRB Crib 5 compliant [A] +\$580

Step 4. Upholstery

Price Category 1 [A] +\$0
 Price Category 7 +\$1350
 Price Category 8 +\$1750
 Price Category 11 +\$2550
 Price Category D +\$450
 Price Category P +\$4950

Crosshatch Lounge Chair

SES1A
SES1W



Product Information

Description

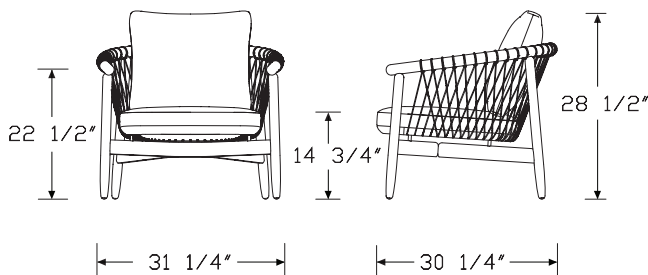
This lounge chair has a solid wood frame with cushions made of foam and DACRON®. Chair cord comes in several color options.

Notes

Cord color is specified separately from cushion color.

Customer's Own Material (COM) requires 1½ yards. Customer's Own Leather (COL) requires 27 square feet. See Order Information in Appendices.

Dimensions



Specification Information

Step 1.

SES1

Step 2. Frame Finish

A ash

W walnut

Prices for Steps 1-2.

SES1A \$3808

SES1W \$4524

Step 3. Wood Finish

Low Sheen Finishes (on Ash)

For ash (A)

967 smoked paldao, low sheen +\$0

969 warm paldao, low sheen +\$0

Low Sheen Finishes (on Walnut)

For walnut (W)

G2U light brown walnut, low sheen +\$0

G40 dark brown walnut, low sheen +\$0

940 sundance cherry on maple +\$0

943 caramel cherry +\$0

946 cocoa cherry +\$0

956 cocoa sapele +\$0

962 toasted walnut, low sheen +\$0

963 charred walnut, low sheen +\$0

964 bronzed walnut, low sheen +\$0

965 smoked walnut, low sheen +\$0

966 coffee walnut, low sheen +\$0

977 chocolate ash, low sheen +\$0

98R recograin rosewood +\$0

991 champagne ash +\$0

998 ebony ash +\$0

99A recograin frosty ash +\$0

99R recograin rosewood +\$0

99T recograin teak +\$0

9A1 white ash, quarter cut, low sheen +\$0

9K1 rift oak, rift cut, low sheen +\$0

9K6 burnt oak, rift cut, low sheen +\$0

Crosshatch Lounge Chair *continued*

HermanMiller Ancillary-Lounge Seating

Matte Sheen Finishes (on Ash)

For ash (A)

66A	recograin frosty ash	A	+\$0
677	chocolate ash, matte sheen	A	+\$0
68R	recograin rosewood	A	+\$0
69A	recograin frosty ash	A	+\$0
69R	recograin rosewood	A	+\$0
69T	recograin teak	A	+\$0
6A1	white ash	A	+\$0
6K1	rift oak	A	+\$0
6K6	burnt oak	A	+\$0
ET	clear on ash	A	+\$0
EU	oak on ash	A	+\$0
EV	walnut on ash	A	+\$0
GOU	natural walnut, flat cut, matte sheen	A	+\$0

Anigre Veneer - Low Sheen

For walnut (W)

967	smoked paldao, low sheen	A	+\$0
969	warm paldao, low sheen	A	+\$0

Premium Veneer - Matte

For walnut (W)

667	smoked paldao, quarter cut, matte sheen	A	+\$0
669	warm paldao, quarter cut, matte sheen	A	+\$0
662	toasted walnut, matte sheen	A	+\$0
663	charred walnut, matte sheen	A	+\$0
664	bronzed walnut, matte sheen	A	+\$0
665	smoked walnut, matte sheen	A	+\$0
666	coffee walnut, matte sheen	A	+\$0
68R	recograin rosewood	A	+\$0
69R	recograin rosewood	A	+\$0
GOU	natural walnut, flat cut, matte sheen	A	+\$0

Low Sheen Finishes (on Walnut)

For walnut (W)

G2U	light brown walnut, low sheen	A	+\$0
G40	dark brown walnut, low sheen	A	+\$0
962	toasted walnut, low sheen	A	+\$0
963	charred walnut, low sheen	A	+\$0
964	bronzed walnut, low sheen	A	+\$0
965	smoked walnut, low sheen	A	+\$0
966	coffee walnut, low sheen	A	+\$0
972	sundance walnut	A	+\$0
98R	recograin rosewood	A	+\$0
99R	recograin rosewood	A	+\$0

Step 4. Seat/Cushion

Price Category 1	+\$73	
Price Category 2	+\$89	
Price Category (Geiger) 2	+\$89	
Price Category 3	+\$110	
Price Category (Geiger) 3	+\$110	
Price Category 4	+\$134	
Price Category (Geiger) 4	+\$134	
Price Category 5	+\$196	
Price Category (Geiger) 5	+\$196	
Price Category (Geiger) 6	+\$257	
Price Category (Geiger) 7	+\$318	
Price Category (Geiger) 8	+\$486	
Price Category 9	+\$604	
Price Category (Geiger) 9	+\$604	
Price Category (Geiger) 10	+\$694	
Price Category (Geiger) 11	+\$778	
Price Category 14	+\$1019	
Price Category (Geiger) C	+\$100	
Price Category D	+\$131	
Price Category (Geiger) D	+\$131	
Price Category (Geiger) E	+\$158	
Price Category F	+\$190	
Price Category (Geiger) F	+\$190	
Price Category G	+\$259	
Price Category (Geiger) G	+\$259	
Price Category (Geiger) H	+\$322	
Price Category (Geiger) I	+\$389	
Price Category (Geiger) J	+\$456	
Price Category (Geiger) K	+\$522	
Price Category (Geiger) L	+\$589	
Price Category (Geiger) M	+\$655	
Price Category (Geiger) N	+\$722	
Price Category (Geiger) O	+\$790	
Price Category (Geiger) P	+\$853	
Price Category (Geiger) Q	+\$985	
Price Category (Geiger) R	+\$1373	
Price Category (Geiger) U	+\$1679	
Price Category (Geiger) Z	+\$2189	
Price Category (Geiger) COL	A	+\$130
Price Category (Geiger) COM	A	+\$0

Step 5. Cord

CBK	black cord	A	+\$0
CBR	dark brown cord	A	+\$0
CCM	cream cord	A	+\$0
CGY	gray cord	A	+\$0

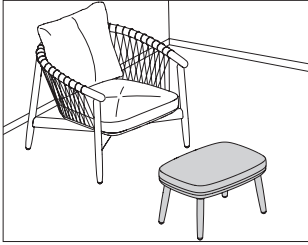
Crosshatch Lounge Chair *continued*

Step 6. Fire Retardancy

NOCAL no cal-133 required A +\$0

Crosshatch Ottoman

SES3A
SES3W



HermanMiller Ancillary-Lounge Seating

Product Information

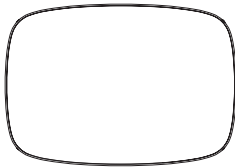
Description

This ottoman has a solid wood frame with an upholstered cushion. Frame comes in ash or walnut.

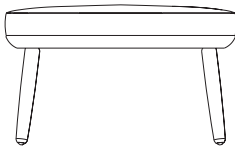
Notes

Customer's Own Material (COM) requires ¾ yards. Customer's Own Leather (COL) requires 13½ square feet. See Order Information in appendices.

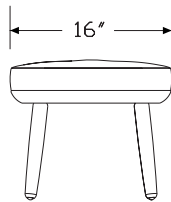
Dimensions



22 7/8"



13 7/8"



16"

Specification Information

Step 1.

SES3 A

Step 2. Wood Species

A ash A

W walnut A

Prices for Steps 1-2.

SES3A \$1475

SES3W \$1702

Step 3. Wood Finish

Low Sheen Finishes (on Ash)

For ash (A)

967	smoked paldao, low sheen <input type="checkbox"/> A	+\$0
969	warm paldao, low sheen <input type="checkbox"/> A	+\$0
932	sundance anigre <input type="checkbox"/> A	+\$0
933	caramel anigre <input type="checkbox"/> A	+\$0
934	henna anigre <input type="checkbox"/> A	+\$0

For ash (A)

940	sundance cherry on maple [A]	+\$0
962	toasted walnut, low sheen [A]	+\$0
963	charred walnut, low sheen [A]	+\$0
964	bronzed walnut, low sheen [A]	+\$0
965	smoked walnut, low sheen [A]	+\$0
966	coffee walnut, low sheen [A]	+\$0
977	chocolate ash, low sheen [A]	+\$0
98R	recograin rosewood [A]	+\$0
99A	recograin frosty ash [A]	+\$0
99R	recograin rosewood [A]	+\$0
99T	recograin teak [A]	+\$0
9A1	white ash, quarter cut, low sheen [A]	+\$0
9K1	rift oak, rift cut, low sheen [A]	+\$0
9K6	burnt oak, rift cut, low sheen [A]	+\$0
EW	medium matte walnut [A]	+\$0
G2U	light brown walnut, low sheen [A]	+\$0
G40	dark brown walnut, low sheen [A]	+\$0
943	caramel cherry [A]	+\$0
944	henna cherry [A]	+\$0
945	port cherry [A]	+\$0
946	cocoa cherry [A]	+\$0
954	henna sapele [A]	+\$0
955	port sapele [A]	+\$0
956	cocoa sapele [A]	+\$0
957	espresso sapele [A]	+\$0
991	champagne ash [A]	+\$0
998	ebony ash [A]	+\$0

Matte Sheen Finishes (on Ash)

For ash (A)

66A	recograin frosty ash [A]	+\$0
677	chocolate ash, matte sheen [A]	+\$0
68R	recograin rosewood [A]	+\$0
69A	recograin frosty ash [A]	+\$0
69R	recograin rosewood [A]	+\$0
69T	recograin teak [A]	+\$0
6K1	rift oak [A]	+\$0
ET	clear on ash [A]	+\$0
EU	oak on ash [A]	+\$0
EV	walnut on ash [A]	+\$0
6A1	white ash [A]	+\$0
6K6	burnt oak [A]	+\$0
GOU	natural walnut, flat cut, matte sheen [A]	+\$0

For walnut (W)

967	smoked paldao, low sheen [A]	+\$0
969	warm paldao, low sheen [A]	+\$0

Low Sheen Finishes (on Walnut)

For walnut (W)

962	toasted walnut, low sheen [A]	+\$0
963	charred walnut, low sheen [A]	+\$0
964	bronzed walnut, low sheen [A]	+\$0
965	smoked walnut, low sheen [A]	+\$0
966	coffee walnut, low sheen [A]	+\$0
972	sundance walnut [A]	+\$0
98R	recograin rosewood [A]	+\$0
99R	recograin rosewood [A]	+\$0
G2U	light brown walnut, low sheen [A]	+\$0
G40	dark brown walnut, low sheen [A]	+\$0
973	caramel walnut [A]	+\$0
974	henna walnut [A]	+\$0
975	port walnut [A]	+\$0
976	cocoa walnut [A]	+\$0

For walnut (W)

662	toasted walnut, matte sheen [A]	+\$0
663	charred walnut, matte sheen [A]	+\$0
664	bronzed walnut, matte sheen [A]	+\$0
665	smoked walnut, matte sheen [A]	+\$0
666	coffee walnut, matte sheen [A]	+\$0
667	smoked paldao, quarter cut, matte sheen [A]	+\$0
669	warm paldao, quarter cut, matte sheen [A]	+\$0
68R	recograin rosewood [A]	+\$0
69R	recograin rosewood [A]	+\$0
GOU	natural walnut, flat cut, matte sheen [A]	+\$0

Step 4. Fabric

Price Category (Geiger) 1	+\$0
Price Category 1	+\$36
Price Category 2	+\$44
Price Category (Geiger) 2	+\$44
Price Category 3	+\$55
Price Category (Geiger) 3	+\$55
Price Category 4	+\$67
Price Category (Geiger) 4	+\$67
Price Category 5	+\$98
Price Category (Geiger) 5	+\$98
Price Category (Geiger) 6	+\$130
Price Category (Geiger) 7	+\$158
Price Category (Geiger) 8	+\$244

Crosshatch Ottoman *continued*

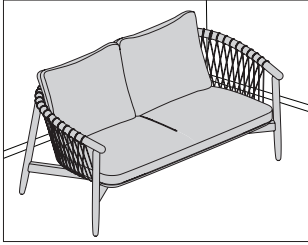
HermanMiller Ancillary-Lounge Seating

Price Category 9	+\$302
Price Category (Geiger) 9	+\$302
Price Category (Geiger) 10	+\$348
Price Category (Geiger) 11	+\$389
Price Category (Geiger) 14	+\$510
Price Category (Geiger) C	+\$50
Price Category D	+\$66
Price Category (Geiger) D	+\$66
Price Category (Geiger) E	+\$79
Price Category F	+\$96
Price Category (Geiger) F	+\$96
Price Category G	+\$130
Price Category (Geiger) G	+\$130
Price Category (Geiger) H	+\$161
Price Category (Geiger) I	+\$194
Price Category (Geiger) J	+\$228
Price Category (Geiger) K	+\$262
Price Category (Geiger) L	+\$295
Price Category (Geiger) M	+\$328
Price Category (Geiger) N	+\$361
Price Category (Geiger) O	+\$395
Price Category (Geiger) P	+\$427
Price Category (Geiger) Q	+\$492
Price Category (Geiger) R	+\$686
Price Category (Geiger) U	+\$840
Price Category (Geiger) Z	+\$730
Price Category (Geiger) COL <input type="checkbox"/>	+\$65
Price Category (Geiger) COM <input type="checkbox"/>	+\$0

Step 5. Fire Retardancy	
NOCAL no cal-133 required <input type="checkbox"/>	+\$0

Crosshatch Settee

SES4A
SES4W



Product Information

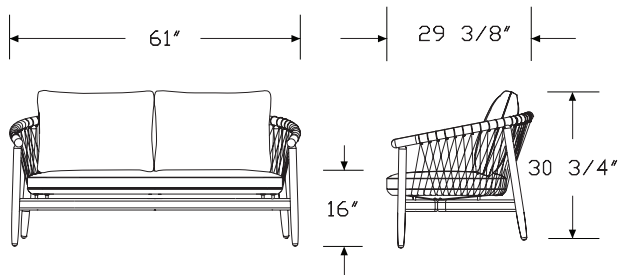
Description

This settee has a solid wood frame with cushions made of foam and DACRON®. Chair cord comes in several color options.

Notes

Cord color is specified separately from cushion color.
Customer's Own Material (COM) requires 4½ yards. Customer's Own Leather (COL) requires 81 square feet. See Order Information in Appendices.

Dimensions



Specification Information

Step 1.

SES4 A

Step 2. Frame Finish

A ash A

W walnut A

Prices for Steps 1-2.

SES4A	\$5519
SES4W	\$6357

Step 3. Wood Finish

Low Sheen Finishes (on Ash)

For ash (A)

967	smoked paldao, low sheen <input type="checkbox"/> A	+\$0
969	warm paldao, low sheen <input type="checkbox"/> A	+\$0

Low Sheen Finishes (on Ash)

For ash (A)

G2U	light brown walnut, low sheen <input type="checkbox"/> A	+\$0
G40	dark brown walnut, low sheen <input type="checkbox"/> A	+\$0
940	sundance cherry on maple <input type="checkbox"/> A	+\$0
943	caramel cherry <input type="checkbox"/> A	+\$0
946	cocoa cherry <input type="checkbox"/> A	+\$0
956	cocoa sapele <input type="checkbox"/> A	+\$0
962	toasted walnut, low sheen <input type="checkbox"/> A	+\$0
963	charred walnut, low sheen <input type="checkbox"/> A	+\$0
964	bronzed walnut, low sheen <input type="checkbox"/> A	+\$0
965	smoked walnut, low sheen <input type="checkbox"/> A	+\$0
966	coffee walnut, low sheen <input type="checkbox"/> A	+\$0
977	chocolate ash, low sheen <input type="checkbox"/> A	+\$0
98R	reco grain rosewood <input type="checkbox"/> A	+\$0
991	champagne ash <input type="checkbox"/> A	+\$0
998	ebony ash <input type="checkbox"/> A	+\$0
99A	reco grain frosty ash <input type="checkbox"/> A	+\$0
99R	reco grain rosewood <input type="checkbox"/> A	+\$0
99T	reco grain teak <input type="checkbox"/> A	+\$0
9A1	white ash, quarter cut, low sheen <input type="checkbox"/> A	+\$0
9K1	rift oak, rift cut, low sheen <input type="checkbox"/> A	+\$0
9K6	burnt oak, rift cut, low sheen <input type="checkbox"/> A	+\$0

HermanMiller Ancillary-Lounge Seating

Matte Sheen Finishes (on Ash)

For ash (A)

66A	recograin frosty ash <input type="checkbox"/>	+\$0
677	chocolate ash, matte sheen <input type="checkbox"/>	+\$0
68R	recograin rosewood <input type="checkbox"/>	+\$0
69A	recograin frosty ash <input type="checkbox"/>	+\$0
69R	recograin rosewood <input type="checkbox"/>	+\$0
69T	recograin teak <input type="checkbox"/>	+\$0
6A1	white ash <input type="checkbox"/>	+\$0
6K1	rift oak <input type="checkbox"/>	+\$0
6K6	burnt oak <input type="checkbox"/>	+\$0
ET	clear on ash <input type="checkbox"/>	+\$0
EU	oak on ash <input type="checkbox"/>	+\$0
EV	walnut on ash <input type="checkbox"/>	+\$0
GOU	natural walnut, flat cut, matte sheen <input type="checkbox"/>	+\$0

Anigre Veneer - Low Sheen

For walnut (W)

967	smoked paldao, low sheen <input type="checkbox"/>	+\$0
969	warm paldao, low sheen <input type="checkbox"/>	+\$0

Premium Veneer - Matte

For walnut (W)

667	smoked paldao, quarter cut, matte sheen <input type="checkbox"/>	+\$0
669	warm paldao, quarter cut, matte sheen <input type="checkbox"/>	+\$0
662	toasted walnut, matte sheen <input type="checkbox"/>	+\$0
663	charred walnut, matte sheen <input type="checkbox"/>	+\$0
664	bronzed walnut, matte sheen <input type="checkbox"/>	+\$0
665	smoked walnut, matte sheen <input type="checkbox"/>	+\$0
666	coffee walnut, matte sheen <input type="checkbox"/>	+\$0
68R	recograin rosewood <input type="checkbox"/>	+\$0
69R	recograin rosewood <input type="checkbox"/>	+\$0
GOU	natural walnut, flat cut, matte sheen <input type="checkbox"/>	+\$0

Low Sheen Finishes (on Walnut)

For walnut (W)

G2U	light brown walnut, low sheen <input type="checkbox"/>	+\$0
G40	dark brown walnut, low sheen <input type="checkbox"/>	+\$0
962	toasted walnut, low sheen <input type="checkbox"/>	+\$0
963	charred walnut, low sheen <input type="checkbox"/>	+\$0
964	bronzed walnut, low sheen <input type="checkbox"/>	+\$0
965	smoked walnut, low sheen <input type="checkbox"/>	+\$0
966	coffee walnut, low sheen <input type="checkbox"/>	+\$0
972	sundance walnut <input type="checkbox"/>	+\$0
98R	recograin rosewood <input type="checkbox"/>	+\$0
99R	recograin rosewood <input type="checkbox"/>	+\$0

Step 4. Seat/Cushion

Price Category 1	+\$124
Price Category 2	+\$148
Price Category (Geiger) 2	+\$148
Price Category 3	+\$184
Price Category (Geiger) 3	+\$184
Price Category 4	+\$226
Price Category (Geiger) 4	+\$226
Price Category 5	+\$328
Price Category (Geiger) 5	+\$328
Price Category (Geiger) 7	+\$532
Price Category (Geiger) 8	+\$810
Price Category 9	+\$1006
Price Category (Geiger) 9	+\$1006
Price Category (Geiger) 10	+\$1158
Price Category (Geiger) 11	+\$1296
Price Category 14	+\$1698
Price Category (Geiger) C	+\$166
Price Category (Geiger) D	+\$220
Price Category (Geiger) E	+\$264
Price Category (Geiger) F	+\$318
Price Category (Geiger) G	+\$432
Price Category (Geiger) H	+\$538
Price Category (Geiger) I	+\$648
Price Category (Geiger) J	+\$760
Price Category (Geiger) K	+\$870
Price Category (Geiger) L	+\$982
Price Category (Geiger) M	+\$1092
Price Category (Geiger) N	+\$1204
Price Category (Geiger) O	+\$1314
Price Category (Geiger) P	+\$1422
Price Category (Geiger) Q	+\$1642
Price Category (Geiger) R	+\$2290
Price Category (Geiger) U	+\$2800
Price Category (Geiger) Z	+\$3648
Price Category (Geiger) COL <input type="checkbox"/>	+\$216
Price Category (Geiger) COM <input type="checkbox"/>	+\$0

Step 5. Cord

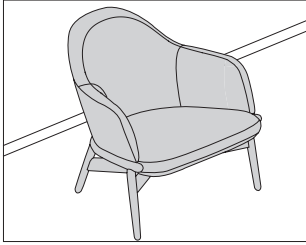
CBK	black cord <input type="checkbox"/>	+\$0
CBR	dark brown cord <input type="checkbox"/>	+\$0
CCM	cream cord <input type="checkbox"/>	+\$0
CGY	gray cord <input type="checkbox"/>	+\$0

Step 6. Fire Retardancy

NOCAL	no cal-133 required <input type="checkbox"/>	+\$0
--------------	----------------------------------------------	------

Reframe Mid-Back Lounge Chair

SJAA
SJAW



Product Information

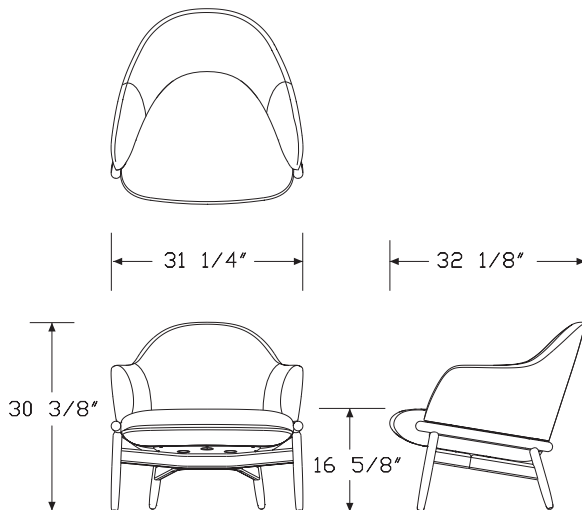
Description

This chair has a solid wood frame. Seat and back are composed of rigid and flexible polyurethane foam.

Notes

Customer's Own Material (COM) requires 3½ yards. Customer's Own Leather (COL) requires 63 square feet.

Dimensions



Specification Information

Step 1.

SJA A

Step 2. Wood Species

A ash A

W walnut A

Prices for Steps 1-2.

SJAA	\$3665
SJAW	\$4349

Step 3. Wood Finish

For ash (A)

662	toasted walnut, matte sheen <input type="checkbox"/> A	+\$0
663	charred walnut, matte sheen <input type="checkbox"/> A	+\$0
664	bronzed walnut, matte sheen <input type="checkbox"/> A	+\$0
665	smoked walnut, matte sheen <input type="checkbox"/> A	+\$0
666	coffee walnut, matte sheen <input type="checkbox"/> A	+\$0
667	smoked paldao, matte sheen <input type="checkbox"/> A	+\$0
669	warm paldao, matte sheen <input type="checkbox"/> A	+\$0
66A	recograin frosty ash, matte sheen <input type="checkbox"/> A	+\$0
677	chocolate ash, matte sheen <input type="checkbox"/> A	+\$0
68R	recograin rosewood, matte sheen <input type="checkbox"/> A	+\$0
69A	recograin frosty ash, matte sheen <input type="checkbox"/> A	+\$0
69R	recograin rosewood, matte sheen <input type="checkbox"/> A	+\$0
69T	recograin teak, matte sheen <input type="checkbox"/> A	+\$0
6A1	white ash, matte sheen <input type="checkbox"/> A	+\$0
6ET	clear on ash, matte sheen <input type="checkbox"/> A	+\$0
6EU	clear on oak, matte sheen <input type="checkbox"/> A	+\$0
6EV	walnut on ash, matte sheen <input type="checkbox"/> A	+\$0
6K1	rift oak, matte sheen <input type="checkbox"/> A	+\$0
6K6	burnt oak, matte sheen <input type="checkbox"/> A	+\$0
ET	clear on ash, matte sheen <input type="checkbox"/> A	+\$0
EU	oak on ash, matte sheen <input type="checkbox"/> A	+\$0
EV	walnut on ash, matte sheen <input type="checkbox"/> A	+\$0
GOU	walnut, matte sheen <input type="checkbox"/> A	+\$0

Reframe Mid-Back Lounge Chair

continued

HermanMiller Ancillary-Lounge Seating

For ash (A)		
940	sundance cherry on maple, low sheen	A +\$0
943	caramel cherry, low sheen	A +\$0
946	cocoa cherry, low sheen	A +\$0
956	cocoa sapele, low sheen	A +\$0
962	toasted walnut, low sheen	A +\$0
963	charred walnut, low sheen	A +\$0
964	bronzed walnut, low sheen	A +\$0
965	smoked walnut, low sheen	A +\$0
966	coffee walnut, low sheen	A +\$0
967	smoked paldao, low sheen	A +\$0
969	warm paldao, low sheen	A +\$0
96A	recograin frosty ash, low sheen	A +\$0
977	chocolate ash, low sheen	A +\$0
98R	recograin rosewood, low sheen	A +\$0
991	champagne ash, low sheen	A +\$0
998	ebony ash, low sheen	A +\$0
99A	recograin frosty ash, low sheen	A +\$0
99R	recograin rosewood, low sheen	A +\$0
99T	recograin teak, low sheen	A +\$0
9A1	white ash, quarter cut, low sheen	A +\$0
9K1	rift oak, low sheen	A +\$0
9K6	burnt oak, low sheen	A +\$0
ED	aged cherry, low sheen	A +\$0
EK	medium red walnut, low sheen	A +\$0
G2U	light brown walnut, low sheen	A +\$0
G40	dark brown walnut, low sheen	A +\$0
UX	walnut on cherry, low sheen	A +\$0

For walnut (W)		
662	toasted walnut, matte sheen	A +\$0
663	charred walnut, matte sheen	A +\$0
664	bronzed walnut, matte sheen	A +\$0
665	smoked walnut, matte sheen	A +\$0
666	coffee walnut, matte sheen	A +\$0
667	smoked paldao, matte sheen	A +\$0
669	warm paldao, matte sheen	A +\$0
68R	recograin rosewood, matte sheen	A +\$0
69R	recograin rosewood, matte sheen	A +\$0
6EV	walnut on ash, matte sheen	A +\$0
EV	walnut on ash, matte sheen	A +\$0
GOU	walnut, matte sheen	A +\$0

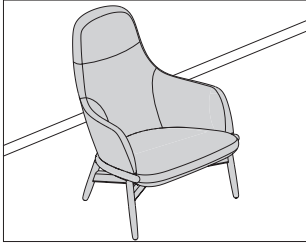
For walnut (W)		
962	toasted walnut, low sheen	A +\$0
963	charred walnut, low sheen	A +\$0
964	bronzed walnut, low sheen	A +\$0
965	smoked walnut, low sheen	A +\$0
966	coffee walnut, low sheen	A +\$0
967	smoked paldao, low sheen	A +\$0
969	warm paldao, low sheen	A +\$0
972	sundance walnut, low sheen	A +\$0
98R	recograin rosewood, low sheen	A +\$0
99R	recograin rosewood, low sheen	A +\$0
EK	medium red walnut, low sheen	A +\$0
G2U	light brown walnut, low sheen	A +\$0
G40	dark brown walnut, low sheen	A +\$0

Step 4. Fabric		
Price Category (Geiger) 10		+\$1621
Price Category 1		+\$0
Price Category (Geiger) 3		+\$257
Price Category 4		+\$312
Price Category (Geiger) 4		+\$312
Price Category 5		+\$456
Price Category (Geiger) 5		+\$456
Price Category (Geiger) 7		+\$740
Price Category 8		+\$1134
Price Category (Geiger) 8		+\$1134
Price Category 9		+\$1409
Price Category 10		+\$1621
Price Category 11		+\$1814
Price Category (Geiger) 11		+\$1814
Price Category (Geiger) 14		+\$2376
Price Category (Geiger) C		+\$230
Price Category (Geiger) E		+\$368
Price Category F		+\$445
Price Category (Geiger) F		+\$445
Price Category G		+\$602
Price Category (Geiger) G		+\$602
Price Category (Geiger) H		+\$750
Price Category (Geiger) J		+\$1063
Price Category R		+\$3205
Price Category (Geiger) COL	A	+\$302
Price Category (Geiger) COM	A	+\$0

Step 5. Fire Retardancy		
NOCAL no cal-133 required	A	+\$0

Reframe High-Back Lounge Chair

SJBA
SJBW



Product Information

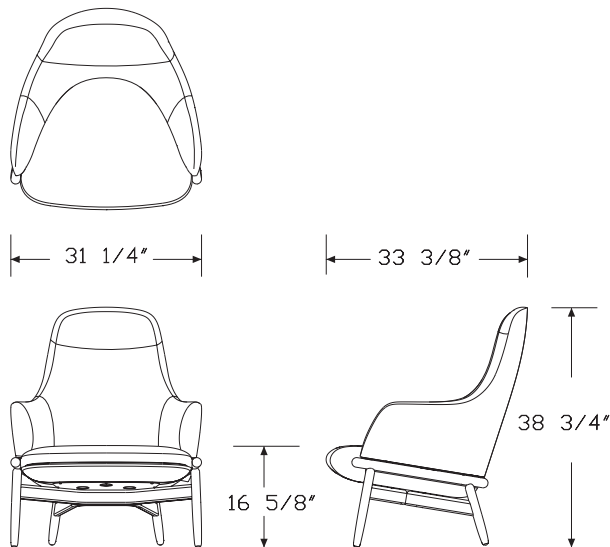
Description

This chair has a solid wood frame. Seat and back are composed of rigid and flexible polyurethane foam.

Notes

Customer's Own Material (COM) requires 3¾ yards. Customer's Own Leather (COL) requires 67½ square feet.

Dimensions



Specification Information

Step 1.

SJB A

Step 2. Wood Species

A ash A

W walnut A

Prices for Steps 1-2.

SJBA	\$3872
SJBW	\$4556

Step 3. Wood Finish

For ash (A)

662	toasted walnut, matte sheen <input type="checkbox"/> A	+\$0
663	charred walnut, matte sheen <input type="checkbox"/> A	+\$0
664	bronzed walnut, matte sheen <input type="checkbox"/> A	+\$0
665	smoked walnut, matte sheen <input type="checkbox"/> A	+\$0
666	coffee walnut, matte sheen <input type="checkbox"/> A	+\$0
667	smoked paldao, matte sheen <input type="checkbox"/> A	+\$0
669	warm paldao, matte sheen <input type="checkbox"/> A	+\$0
66A	recograin frosty ash, matte sheen <input type="checkbox"/> A	+\$0
677	chocolate ash, matte sheen <input type="checkbox"/> A	+\$0
68R	recograin rosewood, matte sheen <input type="checkbox"/> A	+\$0
69A	recograin frosty ash, matte sheen <input type="checkbox"/> A	+\$0
69R	recograin rosewood, matte sheen <input type="checkbox"/> A	+\$0
69T	recograin teak, matte sheen <input type="checkbox"/> A	+\$0
6A1	white ash, matte sheen <input type="checkbox"/> A	+\$0
6ET	clear on ash, matte sheen <input type="checkbox"/> A	+\$0
6EU	clear on oak, matte sheen <input type="checkbox"/> A	+\$0
6EV	walnut on ash, matte sheen <input type="checkbox"/> A	+\$0
6K1	rift oak, matte sheen <input type="checkbox"/> A	+\$0
6K6	burnt oak, matte sheen <input type="checkbox"/> A	+\$0
ET	clear on ash, matte sheen <input type="checkbox"/> A	+\$0
EU	oak on ash, matte sheen <input type="checkbox"/> A	+\$0
EV	walnut on ash, matte sheen <input type="checkbox"/> A	+\$0
GOU	walnut, matte sheen <input type="checkbox"/> A	+\$0

Reframe High-Back Lounge Chair

continued

HermanMiller Ancillary-Lounge Seating

For ash (A)		
940	sundance cherry on maple, low sheen	A +\$0
943	caramel cherry, low sheen	A +\$0
946	cocoa cherry, low sheen	A +\$0
956	cocoa sapele, low sheen	A +\$0
962	toasted walnut, low sheen	A +\$0
963	charred walnut, low sheen	A +\$0
964	bronzed walnut, low sheen	A +\$0
965	smoked walnut, low sheen	A +\$0
966	coffee walnut, low sheen	A +\$0
967	smoked paldao, low sheen	A +\$0
969	warm paldao, low sheen	A +\$0
96A	recograin frosty ash, low sheen	A +\$0
977	chocolate ash, low sheen	A +\$0
98R	recograin rosewood, low sheen	A +\$0
991	champagne ash, low sheen	A +\$0
998	ebony ash, low sheen	A +\$0
99A	recograin frosty ash, low sheen	A +\$0
99R	recograin rosewood, low sheen	A +\$0
99T	recograin teak, low sheen	A +\$0
9A1	white ash, quarter cut, low sheen	A +\$0
9K1	rift oak, low sheen	A +\$0
9K6	burnt oak, low sheen	A +\$0
ED	aged cherry, low sheen	A +\$0
EK	medium red walnut, low sheen	A +\$0
G2U	light brown walnut, low sheen	A +\$0
G40	dark brown walnut, low sheen	A +\$0
UX	walnut on cherry, low sheen	A +\$0

For walnut (W)		
662	toasted walnut, matte sheen	A +\$0
663	charred walnut, matte sheen	A +\$0
664	bronzed walnut, matte sheen	A +\$0
665	smoked walnut, matte sheen	A +\$0
666	coffee walnut, matte sheen	A +\$0
667	smoked paldao, matte sheen	A +\$0
669	warm paldao, matte sheen	A +\$0
68R	recograin rosewood, matte sheen	A +\$0
69R	recograin rosewood, matte sheen	A +\$0
6EV	walnut on ash, matte sheen	A +\$0
EV	walnut on ash, matte sheen	A +\$0
GOU	walnut, matte sheen	A +\$0

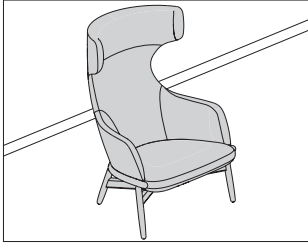
For walnut (W)		
962	toasted walnut, low sheen	A +\$0
963	charred walnut, low sheen	A +\$0
964	bronzed walnut, low sheen	A +\$0
965	smoked walnut, low sheen	A +\$0
966	coffee walnut, low sheen	A +\$0
967	smoked paldao, low sheen	A +\$0
969	warm paldao, low sheen	A +\$0
972	sundance walnut, low sheen	A +\$0
98R	recograin rosewood, low sheen	A +\$0
99R	recograin rosewood, low sheen	A +\$0
EK	medium red walnut, low sheen	A +\$0
G2U	light brown walnut, low sheen	A +\$0
G40	dark brown walnut, low sheen	A +\$0

Step 4. Fabric		
Price Category (Geiger) 10		+\$1738
Price Category 1		+\$0
Price Category (Geiger) 3		+\$275
Price Category 4		+\$335
Price Category (Geiger) 4		+\$335
Price Category 5		+\$487
Price Category (Geiger) 5		+\$487
Price Category (Geiger) 7		+\$794
Price Category (Geiger) 8		+\$1216
Price Category 9		+\$1507
Price Category 10		+\$1738
Price Category 11		+\$1944
Price Category (Geiger) 11		+\$1944
Price Category (Geiger) 14		+\$2545
Price Category (Geiger) C		+\$246
Price Category F		+\$478
Price Category G		+\$646
Price Category (Geiger) G		+\$646
Price Category (Geiger) H		+\$803
Price Category (Geiger) J		+\$1139
Price Category R		+\$3434
Price Category (Geiger) COL	A	+\$324
Price Category (Geiger) COM	A	+\$0

Step 5. Fire Retardancy		
NOCAL no cal-133 required	A	+\$0

Reframe Wing-Back Lounge Chair

SJCA
SJCW



Product Information

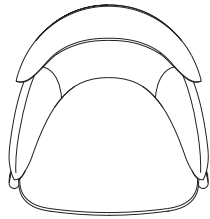
Description

This chair has a solid wood frame. Seat and back are composed of rigid and flexible polyurethane foam.

Notes

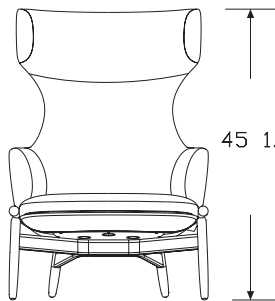
Customer's Own Material (COM) requires 4¼ yards. Customer's Own Leather (COL) requires 81 square feet.

Dimensions



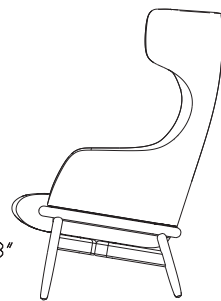
← 31 1/4" →

← 33 1/2" →



45 1/4"

16 5/8"



Specification Information

Step 1.

SJC A

Step 2. Wood Species

A ash A

W walnut A

Prices for Steps 1-2.

SJCA	\$4148
SJCW	\$4833

Step 3. Wood Finish

For ash (A)

662	toasted walnut, matte sheen <input type="checkbox"/> A	+\$0
663	charred walnut, matte sheen <input type="checkbox"/> A	+\$0
664	bronzed walnut, matte sheen <input type="checkbox"/> A	+\$0
665	smoked walnut, matte sheen <input type="checkbox"/> A	+\$0
666	coffee walnut, matte sheen <input type="checkbox"/> A	+\$0
667	smoked paldao, matte sheen <input type="checkbox"/> A	+\$0
669	warm paldao, matte sheen <input type="checkbox"/> A	+\$0
66A	recograin frosty ash, matte sheen <input type="checkbox"/> A	+\$0
677	chocolate ash, matte sheen <input type="checkbox"/> A	+\$0
68R	recograin rosewood, matte sheen <input type="checkbox"/> A	+\$0
69A	recograin frosty ash, matte sheen <input type="checkbox"/> A	+\$0
69R	recograin rosewood, matte sheen <input type="checkbox"/> A	+\$0
69T	recograin teak, matte sheen <input type="checkbox"/> A	+\$0
6A1	white ash, matte sheen <input type="checkbox"/> A	+\$0
6ET	clear on ash, matte sheen <input type="checkbox"/> A	+\$0
6EU	clear on oak, matte sheen <input type="checkbox"/> A	+\$0
6EV	walnut on ash, matte sheen <input type="checkbox"/> A	+\$0
6K1	rift oak, matte sheen <input type="checkbox"/> A	+\$0
6K6	burnt oak, matte sheen <input type="checkbox"/> A	+\$0
ET	clear on ash, matte sheen <input type="checkbox"/> A	+\$0
EU	oak on ash, matte sheen <input type="checkbox"/> A	+\$0
EV	walnut on ash, matte sheen <input type="checkbox"/> A	+\$0
GOU	walnut, matte sheen <input type="checkbox"/> A	+\$0

Reframe Wing-Back Lounge Chair

continued

HermanMiller Ancillary-Lounge Seating

For ash (A)

940	sundance cherry on maple, low sheen	A	+\$0
943	caramel cherry, low sheen	A	+\$0
946	cocoa cherry, low sheen	A	+\$0
956	cocoa sapele, low sheen	A	+\$0
962	toasted walnut, low sheen	A	+\$0
963	charred walnut, low sheen	A	+\$0
964	bronzed walnut, low sheen	A	+\$0
965	smoked walnut, low sheen	A	+\$0
966	coffee walnut, low sheen	A	+\$0
967	smoked paldao, low sheen	A	+\$0
969	warm paldao, low sheen	A	+\$0
96A	recograin frosty ash, low sheen	A	+\$0
977	chocolate ash, low sheen	A	+\$0
98R	recograin rosewood, low sheen	A	+\$0
991	champagne ash, low sheen	A	+\$0
998	ebony ash, low sheen	A	+\$0
99A	recograin frosty ash, low sheen	A	+\$0
99R	recograin rosewood, low sheen	A	+\$0
99T	recograin teak, low sheen	A	+\$0
9A1	white ash, quarter cut, low sheen	A	+\$0
9K1	rift oak, low sheen	A	+\$0
9K6	burnt oak, low sheen	A	+\$0
ED	aged cherry, low sheen	A	+\$0
EK	medium red walnut, low sheen	A	+\$0
G2U	light brown walnut, low sheen	A	+\$0
G40	dark brown walnut, low sheen	A	+\$0
UX	walnut on cherry, low sheen	A	+\$0

For walnut (W)

662	toasted walnut, matte sheen	A	+\$0
663	charred walnut, matte sheen	A	+\$0
664	bronzed walnut, matte sheen	A	+\$0
665	smoked walnut, matte sheen	A	+\$0
666	coffee walnut, matte sheen	A	+\$0
667	smoked paldao, matte sheen	A	+\$0
669	warm paldao, matte sheen	A	+\$0
68R	recograin rosewood, matte sheen	A	+\$0
69R	recograin rosewood, matte sheen	A	+\$0
6EV	walnut on ash, matte sheen	A	+\$0
EV	walnut on ash, matte sheen	A	+\$0
GOU	walnut, matte sheen	A	+\$0

For walnut (W)

962	toasted walnut, low sheen	A	+\$0
963	charred walnut, low sheen	A	+\$0
964	bronzed walnut, low sheen	A	+\$0
965	smoked walnut, low sheen	A	+\$0
966	coffee walnut, low sheen	A	+\$0
967	smoked paldao, low sheen	A	+\$0
969	warm paldao, low sheen	A	+\$0
972	sundance walnut, low sheen	A	+\$0
98R	recograin rosewood, low sheen	A	+\$0
99R	recograin rosewood, low sheen	A	+\$0
EK	medium red walnut, low sheen	A	+\$0
G2U	light brown walnut, low sheen	A	+\$0
G40	dark brown walnut, low sheen	A	+\$0

Step 4. Fabric

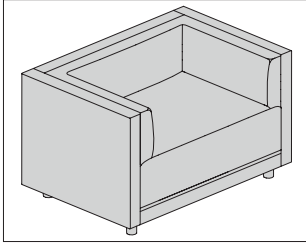
Price Category (Geiger) 4	+\$384	
Price Category (Geiger) 10	+\$1969	
Price Category 1	+\$0	
Price Category (Geiger) 3	+\$310	
Price Category 4	+\$384	
Price Category (Geiger) 5	+\$553	
Price Category 5	+\$553	
Price Category (Geiger) 7	+\$899	
Price Category (Geiger) 8	+\$1378	
Price Category 9	+\$1709	
Price Category 10	+\$1969	
Price Category (Geiger) G	+\$731	
Price Category (Geiger) H	+\$911	
Price Category (Geiger) J	+\$1367	
Price Category (Geiger) COM	A	+\$0
Price Category (Geiger) COL	A	+\$367

Step 5. Fire Retardancy

NOCAL no cal-133 required	A	+\$0
----------------------------------	---	------

Rolled Arm Club Chair

SBRA-



Product Information

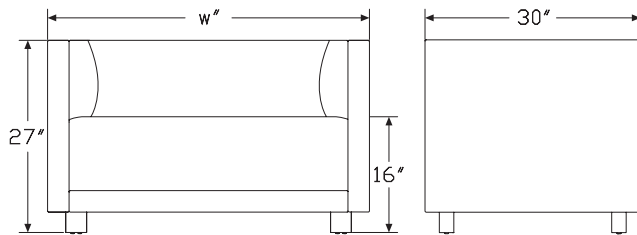
Description

This 43" wide chair is made of plywood with Dacron® on the seat and back. The arms consist of Dacron and polyfoam. The legs are solid ash or walnut.

Notes

Customers Own Material (COM) requires 6 yards. Customers Own Leather (COL) requires 108 square feet. See Order Information in Appendices.

Dimensions



Specification Information

Step 1.

SBRA-43 [A] \$4851

Step 2. Wood Finish

Premium Veneer - Low Sheen

940	sundance cherry on maple [A]	+\$0
943	caramel cherry [A]	+\$0
946	cocoa cherry [A]	+\$0
962	toasted walnut, low sheen [A]	+\$0
963	charred walnut, low sheen [A]	+\$0
964	bronzed walnut, low sheen [A]	+\$0
965	smoked walnut, low sheen [A]	+\$0
966	coffee walnut, low sheen [A]	+\$0
977	chocolate ash, low sheen [A]	+\$0
98R	recograin rosewood [A]	+\$0
991	champagne ash [A]	+\$0
998	ebony ash [A]	+\$0
99A	recograin frosty ash [A]	+\$0
99R	recograin rosewood [A]	+\$0
99T	recograin teak [A]	+\$0
9A1	white ash, quarter cut, low sheen [A]	+\$0
9K1	rift oak, rift cut, low sheen [A]	+\$0
9K6	burnt oak, rift cut, low sheen [A]	+\$0

Premium Veneer - Matte

662	toasted walnut, matte sheen [A]	+\$0
663	charred walnut, matte sheen [A]	+\$0
664	bronzed walnut, matte sheen [A]	+\$0
665	smoked walnut, matte sheen [A]	+\$0
666	coffee walnut, matte sheen [A]	+\$0
667	smoked paldao, quarter cut, matte sheen [A]	+\$0
669	warm paldao, quarter cut, matte sheen [A]	+\$0
66A	recograin frosty ash [A]	+\$0
677	chocolate ash, matte sheen [A]	+\$0
68R	recograin rosewood [A]	+\$0
69A	recograin frosty ash [A]	+\$0
69R	recograin rosewood [A]	+\$0
69T	recograin teak [A]	+\$0
6A1	white ash [A]	+\$0
6K1	rift oak [A]	+\$0
6K6	burnt oak [A]	+\$0
ET	clear on ash [A]	+\$0
EU	oak on ash [A]	+\$0
EV	walnut on ash [A]	+\$0
GOU	natural walnut, flat cut, matte sheen [A]	+\$0

HermanMiller Ancillary-Lounge Seating

Rolled Arm Club Chair *continued*

HermanMiller Ancillary-Lounge Seating

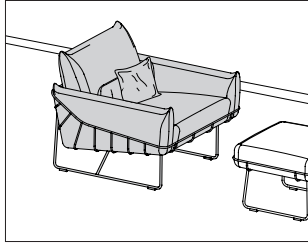
RecoGrain Veneer		
68W	recoGrain walnut, flat cut, matte sheen <input type="checkbox"/> A	+\$0
69W	recoGrain walnut, quarter cut, matte sheen <input type="checkbox"/> A	+\$0

Recon Veneer -		
98W	recoGrain walnut, flat cut, low sheen <input type="checkbox"/> A	+\$0
99W	recoGrain walnut, quarter cut, low sheen <input type="checkbox"/> A	+\$0

Step 3. Upholstery	
Price Category 11	+\$3108
Price Category (Geiger) 1	+\$0
Price Category 1	+\$0
Price Category (Geiger) 2	+\$349
Price Category 2	+\$349
Price Category (Geiger) 3	+\$438
Price Category 3	+\$438
Price Category (Geiger) 4	+\$534
Price Category 4	+\$713
Price Category (Geiger) 5	+\$779
Price Category 5	+\$779
Price Category (Geiger) 6	+\$1024
Price Category (Geiger) 7	+\$1268
Price Category (Geiger) 8	+\$1944
Price Category (Geiger) 9	+\$2411
Price Category 9	+\$2411
Price Category (Geiger) 10	+\$2774
Price Category (Geiger) 11	+\$3108
Price Category (Geiger) 14	+\$4072
Price Category (Geiger) C	+\$394
Price Category (Geiger) D	+\$520
Price Category D	+\$520
Price Category (Geiger) E	+\$631
Price Category (Geiger) F	+\$757
Price Category F	+\$757
Price Category (Geiger) G	+\$1032
Price Category G	+\$1032
Price Category (Geiger) H	+\$1284
Price Category (Geiger) I	+\$1550
Price Category (Geiger) J	+\$1818
Price Category (Geiger) K	+\$2084
Price Category (Geiger) L	+\$2352
Price Category (Geiger) N	+\$2886
Price Category (Geiger) P	+\$3412
Price Category (Geiger) Q	+\$3938
Price Category (Geiger) R	+\$5489
Price Category (Geiger) U	+\$6712
Price Category (Geiger) X	+\$7936

Price Category (Geiger) COM <input type="checkbox"/> A	+\$0
Price Category (Geiger) COL <input type="checkbox"/> A	+\$518

Step 4. Fire Retardancy	
NOCAL no cal-133 required <input type="checkbox"/> A	+\$0



Product Information

Description

This chair has contoured cushions on a separate wire frame structure, featuring SuperSeat™ technology. Lumbar and throw pillows included.

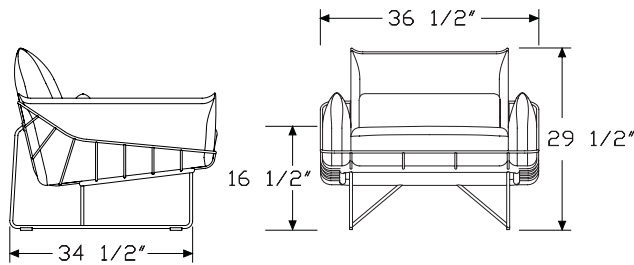
Notes

Fire retardant chair meets CAL 133 requirements.

COM/COL requires 7 yards/126 square feet per chair.

Lumbar and throw pillows are shipped in same material specified for chair cushions.

Dimensions



Specification Information

Step 1.

BK11000 [A] \$5887

Step 2. Frame Finish

91 white (CP) [A] +\$0

BK black [A] +\$0

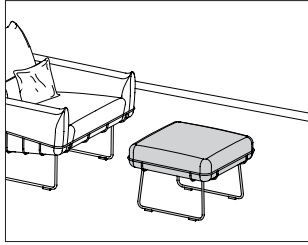
Step 3. Fabric

Price Category 1	+\$0
Price Category 2	+\$155
Price Category 3	+\$223
Price Category 4	+\$371
Price Category (Geiger) 4	+\$371
Price Category 5	+\$557
Price Category (Geiger) 5	+\$557
Price Category (Geiger) 6	+\$742
Price Category 7	+\$989
Price Category (Geiger) 7	+\$989
Price Category 8	+\$1978
Price Category (Geiger) 8	+\$1978
Price Category 9	+\$1607
Price Category (Geiger) 9	+\$1607
Price Category 10	+\$1854
Price Category (Geiger) 10	+\$1854
Price Category 11	+\$2101
Price Category (Geiger) 11	+\$2101
Price Category 14	+\$2966
Price Category B	+\$236
Price Category C	+\$390
Price Category D	+\$494
Price Category E	+\$596
Price Category F	+\$772
Price Category G	+\$1002
Price Category H	+\$1680
Price Category I	+\$1920
Price Category J	+\$1218
Price Category K	+\$1432
Price Category L	+\$1645
Price Category M	+\$1860
Price Category N	+\$2074
Price Category O	+\$2287
Price Category P	+\$2501
Price Category Q	+\$2714
Price Category R	+\$4912
Price Category S	+\$3152
Price Category T	+\$3388

Wireframe™ Chair *continued*

Price Category U	+ \$3623
Price Category X	+ \$6683
Price Category Y	+ \$7037
Price Category Z	+ \$7296

Step 4. Fire Retardancy	
NOCAL not fire retardant <input type="checkbox"/>	+ \$0
133 fire retardant <input type="checkbox"/>	+ \$244



Product Information

Description

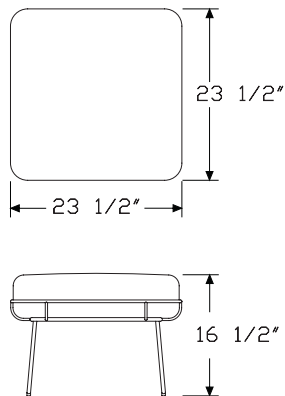
This ottoman has contoured cushions on a separate wire frame structure, featuring SuperSeat™ technology.

Notes

Fire retardant ottoman meets CAL 133 requirements.

COM/COL requires 2½ yards/36 square feet per ottoman.

Dimensions



Specification Information

Step 1.

BK10400 [A] \$2798

Step 2. Frame Finish

91 white (CP) [A] +\$0

BK black [A] +\$0

Step 3. Fabric

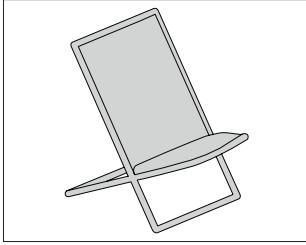
Price Category 1	+\$0
Price Category 2	+\$74
Price Category 3	+\$100
Price Category 4	+\$137
Price Category (Geiger) 4	+\$137
Price Category 5	+\$186
Price Category (Geiger) 5	+\$186
Price Category (Geiger) 6	+\$235
Price Category 7	+\$310
Price Category (Geiger) 7	+\$310
Price Category 8	+\$396
Price Category (Geiger) 8	+\$396
Price Category 9	+\$476
Price Category 10	+\$557
Price Category (Geiger) 10	+\$557
Price Category 11	+\$643
Price Category (Geiger) 11	+\$643
Price Category 14	+\$890
Price Category B	+\$77
Price Category C	+\$128
Price Category D	+\$176
Price Category E	+\$214
Price Category F	+\$276
Price Category G	+\$358
Price Category H	+\$436
Price Category I	+\$511
Price Category J	+\$588
Price Category K	+\$664
Price Category L	+\$740
Price Category M	+\$817
Price Category N	+\$893
Price Category O	+\$970
Price Category P	+\$1045
Price Category Q	+\$1126
Price Category R	+\$1601
Price Category S	+\$1294
Price Category T	+\$1378
Price Category U	+\$1462

Price Category X	+ \$2178
Price Category Y	+ \$2293
Price Category Z	+ \$2189

Step 4. Fire Retardancy	
NOCAL not fire retardant <input type="checkbox"/>	+ \$0
133 fire retardant <input type="checkbox"/>	+ \$98

Scissor Chair

SBSC-
SBSD-



Product Information

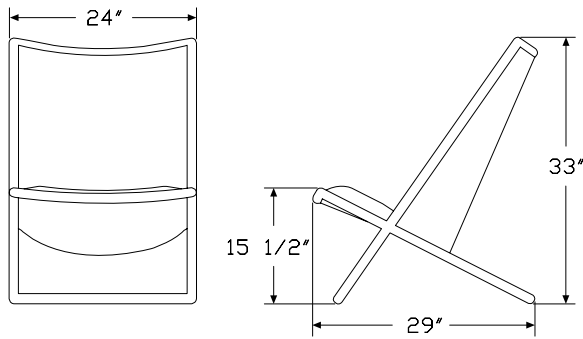
Description

The frame of this chair is solid ash. The seat has foam and Dacron® over plywood.

Notes

Customers Own Material (COM) requires 3½ yards. Customers Own Leather (COL) requires 58 square feet. See Order Information in Appendices.

Dimensions



Specification Information

Step 1.

SBS A

Step 2. Frame

C-1098 solid ash A

D-1099 welded tubular steel A

Prices for Steps 1-2.

SBSC-1098	\$4167
SBSD-1099	\$4129

Step 3. Wood Finish

For solid ash (C-1098)

Premium Veneer - Low Sheen

932	sundance anigre <input type="checkbox"/> A	+\$0
933	caramel anigre <input type="checkbox"/> A	+\$0
934	henna anigre <input type="checkbox"/> A	+\$0
940	sundance cherry on maple <input type="checkbox"/> A	+\$0
943	caramel cherry <input type="checkbox"/> A	+\$0
946	cocoa cherry <input type="checkbox"/> A	+\$0
956	cocoa sapele <input type="checkbox"/> A	+\$0
962	toasted walnut, low sheen <input type="checkbox"/> A	+\$0
963	charred walnut, low sheen <input type="checkbox"/> A	+\$0
964	bronzed walnut, low sheen <input type="checkbox"/> A	+\$0
965	smoked walnut, low sheen <input type="checkbox"/> A	+\$0
966	coffee walnut, low sheen <input type="checkbox"/> A	+\$0
967	smoked paldao, low sheen <input type="checkbox"/> A	+\$0
969	warm paldao, low sheen <input type="checkbox"/> A	+\$0
972	sundance walnut <input type="checkbox"/> A	+\$0
977	chocolate ash, low sheen <input type="checkbox"/> A	+\$0
98R	recograin rosewood <input type="checkbox"/> A	+\$0
991	champagne ash <input type="checkbox"/> A	+\$0
998	ebony ash <input type="checkbox"/> A	+\$0
99A	recograin frosty ash <input type="checkbox"/> A	+\$0
99R	recograin rosewood <input type="checkbox"/> A	+\$0
99T	recograin teak <input type="checkbox"/> A	+\$0
9A1	white ash, quarter cut, low sheen <input type="checkbox"/> A	+\$0
9K1	rift oak, rift cut, low sheen <input type="checkbox"/> A	+\$0
9K6	burnt oak, rift cut, low sheen <input type="checkbox"/> A	+\$0
G2U	light brown walnut, low sheen <input type="checkbox"/> A	+\$0
G40	dark brown walnut, low sheen <input type="checkbox"/> A	+\$0

Scissor Chair *continued*

HermanMiller Ancillary-Lounge Seating

Premium Veneer - Matte		
662	toasted walnut, matte sheen <input type="checkbox"/>	+\$0
663	charred walnut, matte sheen <input type="checkbox"/>	+\$0
664	bronzed walnut, matte sheen <input type="checkbox"/>	+\$0
665	smoked walnut, matte sheen <input type="checkbox"/>	+\$0
666	coffee walnut, matte sheen <input type="checkbox"/>	+\$0
667	smoked paldao, quarter cut, matte sheen <input type="checkbox"/>	+\$0
669	warm paldao, quarter cut, matte sheen <input type="checkbox"/>	+\$0
66A	recograin frosty ash <input type="checkbox"/>	+\$0
677	chocolate ash, matte sheen <input type="checkbox"/>	+\$0
68R	recograin rosewood <input type="checkbox"/>	+\$0
69A	recograin frosty ash <input type="checkbox"/>	+\$0
69R	recograin rosewood <input type="checkbox"/>	+\$0
69T	recograin teak <input type="checkbox"/>	+\$0
6A1	white ash <input type="checkbox"/>	+\$0
6K1	rift oak <input type="checkbox"/>	+\$0
6K6	burnt oak <input type="checkbox"/>	+\$0
ET	clear on ash <input type="checkbox"/>	+\$0
EU	oak on ash <input type="checkbox"/>	+\$0
EV	walnut on ash <input type="checkbox"/>	+\$0
GOU	natural walnut, flat cut, matte sheen <input type="checkbox"/>	+\$0

RecoGrain Veneer		
68W	recograin walnut, flat cut, matte sheen <input type="checkbox"/>	+\$0
69W	recograin walnut, quarter cut, matte sheen <input type="checkbox"/>	+\$0

Recon Veneer -		
98W	recograin walnut, flat cut, low sheen <input type="checkbox"/>	+\$0
99W	recograin walnut, quarter cut, low sheen <input type="checkbox"/>	+\$0

Step 4. Upholstery	
Price Category 1	+\$0
Price Category (Geiger) 1	+\$170
Price Category 2	+\$204
Price Category (Geiger) 2	+\$204
Price Category 3	+\$257
Price Category (Geiger) 3	+\$257
Price Category 4	+\$312
Price Category (Geiger) 4	+\$312
Price Category 5	+\$456
Price Category (Geiger) 5	+\$456
Price Category (Geiger) 6	+\$598
Price Category (Geiger) 7	+\$740
Price Category (Geiger) 8	+\$1134
Price Category 9	+\$1408
Price Category (Geiger) 9	+\$1408
Price Category (Geiger) 10	+\$1619

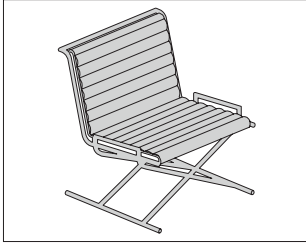
Price Category (Geiger) 11	+\$1814
Price Category (Geiger) 14	+\$2376
Price Category (Geiger) A	+\$239
Price Category (Geiger) C	+\$282
Price Category D	+\$325
Price Category (Geiger) D	+\$325
Price Category (Geiger) E	+\$368
Price Category F	+\$412
Price Category (Geiger) F	+\$412
Price Category G	+\$442
Price Category (Geiger) G	+\$456
Price Category (Geiger) H	+\$499
Price Category (Geiger) I	+\$905
Price Category (Geiger) J	+\$563
Price Category (Geiger) K	+\$629
Price Category (Geiger) L	+\$692
Price Category (Geiger) M	+\$779
Price Category (Geiger) N	+\$865
Price Category (Geiger) O	+\$1840
Price Category (Geiger) P	+\$953
Price Category (Geiger) Q	+\$1808
Price Category (Geiger) R	+\$3202
Price Category (Geiger) S	+\$3440
Price Category (Geiger) U	+\$3917
Price Category (Geiger) V	+\$4153
Price Category (Geiger) X	+\$4630
Price Category (Geiger) Y	+\$4868
Price Category (Geiger) Z	+\$4013
Price Category (Geiger) COL <input type="checkbox"/>	+\$302
Price Category (Geiger) COM <input type="checkbox"/>	+\$0

Step 5. Base Finish		
<i>For welded tubular steel (D-1099)</i>		
CHR	chrome <input type="checkbox"/>	+\$0
SAC	satin chrome <input type="checkbox"/>	+\$0

Step 6. Fire Retardancy		
NOCAL	not fire retardant <input type="checkbox"/>	+\$0
133	fire retardant <input type="checkbox"/>	+\$228

Sled Chair

SBSU-



Product Information

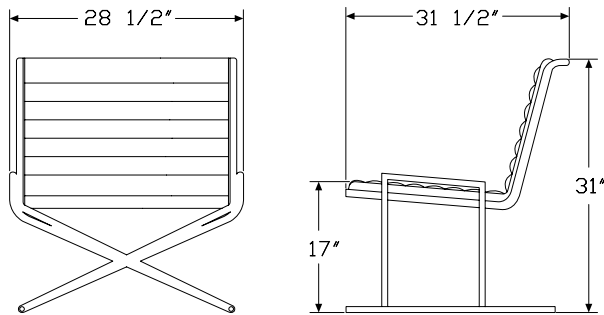
Description

This chair has a welded tubular steel frame. The seat consists of foam and Dacron® over plywood.

Notes

Customers Own Material (COM) requires 3 yards. Customers Own Leather (COL) requires 54 square feet. See Order Information in Appendices.

Dimensions



Specification Information

Step 1.

SBS [A]

Step 2. Material

U-1060 upholstery [A]

Prices for Steps 1-2.

SBSU-1060 \$6390

Step 3. Upholstery

Price Category 1	+\$0
Price Category (Geiger) 1	+\$145
Price Category 2	+\$175
Price Category (Geiger) 2	+\$175
Price Category 3	+\$257
Price Category (Geiger) 3	+\$220
Price Category 4	+\$268
Price Category (Geiger) 4	+\$268
Price Category 5	+\$390
Price Category (Geiger) 5	+\$390
Price Category 6	+\$512
Price Category (Geiger) 6	+\$512
Price Category 7	+\$635
Price Category (Geiger) 7	+\$635
Price Category 8	+\$972
Price Category 9	+\$1206
Price Category (Geiger) 9	+\$1206
Price Category 10	+\$1387
Price Category (Geiger) 10	+\$1387
Price Category 11	+\$1554
Price Category (Geiger) 11	+\$1554
Price Category 14	+\$2036
Price Category (Geiger) 14	+\$2036
Price Category (Geiger) A	+\$204
Price Category (Geiger) C	+\$241
Price Category D	+\$278
Price Category (Geiger) D	+\$278
Price Category (Geiger) E	+\$316
Price Category F	+\$353
Price Category (Geiger) F	+\$353
Price Category G	+\$378
Price Category (Geiger) G	+\$390
Price Category (Geiger) H	+\$427
Price Category (Geiger) I	+\$775
Price Category (Geiger) J	+\$482
Price Category (Geiger) K	+\$539
Price Category (Geiger) L	+\$594
Price Category (Geiger) M	+\$668
Price Category (Geiger) N	+\$742
Price Category (Geiger) O	+\$1577

HermanMiller Ancillary-Lounge Seating

Sled Chair *continued*

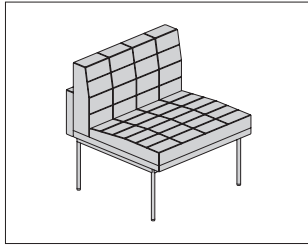
Price Category (Geiger) P		+\$816
Price Category (Geiger) Q		+\$1669
Price Category (Geiger) R		+\$2744
Price Category (Geiger) S		+\$2948
Price Category (Geiger) V		+\$3560
Price Category (Geiger) X		+\$3968
Price Category (Geiger) Z		+\$3648
Price Category (Geiger) COL	<input type="checkbox"/> A	+\$259
Price Category (Geiger) COM	<input type="checkbox"/> A	+\$0

Step 4. Base Finish		
CHR	chrome <input type="checkbox"/> A	+\$0
SAC	satin chrome <input type="checkbox"/> A	+\$0

Step 5. Fire Retardancy		
NOCAL	not fire retardant <input type="checkbox"/> A	+\$0
133	fire retardant <input type="checkbox"/> A	+\$195

Tuxedo Component Lounge™ Club Chair

ST1AN
ST1AQ
ST1NN
ST1NQ



Product Information

Description

This club chair has a foam and Dacron® seat with a painted or plated steel base.

Notes

Customer's Own Material (COM)/Customer's Own Leather (COL) requires the following:

Type—COM—COL

ST1NN—3¾ yards—67½ square feet

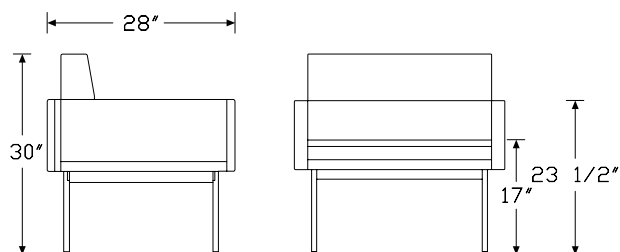
ST1NQ—3¾ yards—67½ square feet

ST1AN—5½ yards—99 square feet

ST1AQ—5½ yards—99 square feet

See Order Information in Appendices for more information.

Dimensions



Specification Information

Step 1.

ST1 A

Step 2. Arms

N no arms A

A arms A

Step 3. Upholstery Type

N not quilted A

Q quilted A

Prices for Steps 1-3.

ST1NN	\$3488
ST1NQ	\$3746
ST1AN	\$4415
ST1AQ	\$4586

Step 4. Upholstery

For no arms (N) with not quilted (N)

Price Category 1	+\$0
Price Category (Geiger) 1	+\$181
Price Category 2	+\$218
Price Category (Geiger) 2	+\$218
Price Category 3	+\$274
Price Category (Geiger) 3	+\$274
Price Category 4	+\$335
Price Category (Geiger) 4	+\$335
Price Category 5	+\$487
Price Category (Geiger) 5	+\$487
Price Category (Geiger) 6	+\$641
Price Category (Geiger) 7	+\$793
Price Category (Geiger) 8	+\$1216
Price Category 9	+\$2210
Price Category (Geiger) 9	+\$1507
Price Category (Geiger) 10	+\$1735
Price Category 11	+\$1943
Price Category (Geiger) 11	+\$1943
Price Category 14	+\$2545
Price Category (Geiger) A	+\$154
Price Category (Geiger) C	+\$246
Price Category D	+\$325
Price Category (Geiger) D	+\$325
Price Category (Geiger) E	+\$395
Price Category F	+\$474
Price Category (Geiger) F	+\$474

Tuxedo Component Lounge™ Club
Chair *continued*

HermanMiller Ancillary-Lounge Seating

Price Category G	+\$644
Price Category (Geiger) G	+\$644
Price Category (Geiger) H	+\$803
Price Category (Geiger) I	+\$970
Price Category (Geiger) J	+\$1136
Price Category (Geiger) K	+\$1303
Price Category (Geiger) L	+\$1470
Price Category (Geiger) M	+\$1637
Price Category (Geiger) N	+\$1804
Price Category (Geiger) O	+\$1970
Price Category (Geiger) P	+\$2132
Price Category (Geiger) Q	+\$2461
Price Category (Geiger) R	+\$3941
Price Category (Geiger) V	+\$4450
Price Category (Geiger) X	+\$4961
Price Category (Geiger) Y	+\$5215
Price Category (Geiger) Z	+\$5472
Price Category (Geiger) COL A	+\$324
Price Category (Geiger) COM A	+\$0

For no arms (N) with quilted (Q)

Price Category 1	+\$0
Price Category (Geiger) 1	+\$181
Price Category 2	+\$218
Price Category (Geiger) 2	+\$218
Price Category 3	+\$274
Price Category (Geiger) 3	+\$274
Price Category 4	+\$335
Price Category (Geiger) 4	+\$335
Price Category 5	+\$487
Price Category (Geiger) 5	+\$487
Price Category (Geiger) 6	+\$641
Price Category (Geiger) 7	+\$793
Price Category (Geiger) 8	+\$1216
Price Category 9	+\$2210
Price Category (Geiger) 9	+\$1507
Price Category (Geiger) 10	+\$1735
Price Category 11	+\$1943
Price Category (Geiger) 11	+\$1943
Price Category 14	+\$2545
Price Category (Geiger) A	+\$154
Price Category (Geiger) C	+\$246
Price Category D	+\$325
Price Category (Geiger) D	+\$325
Price Category (Geiger) E	+\$395
Price Category F	+\$474
Price Category (Geiger) F	+\$474

Price Category G	+\$644
Price Category (Geiger) G	+\$644
Price Category (Geiger) H	+\$803
Price Category (Geiger) I	+\$970
Price Category (Geiger) J	+\$1136
Price Category (Geiger) K	+\$1303
Price Category (Geiger) L	+\$1470
Price Category (Geiger) M	+\$1637
Price Category (Geiger) N	+\$1804
Price Category (Geiger) O	+\$1970
Price Category (Geiger) P	+\$2132
Price Category (Geiger) Q	+\$2461
Price Category (Geiger) R	+\$3941
Price Category (Geiger) V	+\$4450
Price Category (Geiger) Z	+\$5472
Price Category (Geiger) COL A	+\$324
Price Category (Geiger) COM A	+\$0

For arms (A) with not quilted (N)

Price Category 1	+\$0
Price Category (Geiger) 1	+\$266
Price Category 2	+\$320
Price Category (Geiger) 2	+\$320
Price Category 3	+\$402
Price Category (Geiger) 3	+\$402
Price Category 4	+\$490
Price Category (Geiger) 4	+\$490
Price Category 5	+\$715
Price Category (Geiger) 5	+\$715
Price Category (Geiger) 6	+\$938
Price Category (Geiger) 7	+\$1164
Price Category (Geiger) 8	+\$1782
Price Category 9	+\$2210
Price Category (Geiger) 9	+\$2210
Price Category (Geiger) 10	+\$2543
Price Category 11	+\$2850
Price Category (Geiger) 11	+\$2850
Price Category 14	+\$3733
Price Category (Geiger) A	+\$226
Price Category (Geiger) C	+\$361
Price Category D	+\$476
Price Category (Geiger) D	+\$476
Price Category (Geiger) E	+\$580
Price Category F	+\$694
Price Category (Geiger) F	+\$694
Price Category G	+\$946
Price Category (Geiger) G	+\$946

Tuxedo Component Lounge™ Club
Chair *continued*

Price Category (Geiger) H	+\$1177
Price Category (Geiger) I	+\$1422
Price Category (Geiger) J	+\$1667
Price Category (Geiger) K	+\$1912
Price Category (Geiger) L	+\$2156
Price Category (Geiger) M	+\$2401
Price Category (Geiger) N	+\$2646
Price Category (Geiger) O	+\$2891
Price Category (Geiger) P	+\$3127
Price Category (Geiger) Q	+\$3611
Price Category (Geiger) R	+\$5032
Price Category (Geiger) V	+\$6527
Price Category (Geiger) X	+\$7274
Price Category (Geiger) Y	+\$7649
Price Category (Geiger) Z	+\$8026
Price Category (Geiger) COL <input type="checkbox"/>	+\$475
Price Category (Geiger) COM <input type="checkbox"/>	+\$0

For arms (A) with quilted (Q)

Price Category 1	+\$0
Price Category (Geiger) 1	+\$266
Price Category 2	+\$320
Price Category (Geiger) 2	+\$320
Price Category 3	+\$402
Price Category (Geiger) 3	+\$402
Price Category 4	+\$490
Price Category (Geiger) 4	+\$490
Price Category 5	+\$715
Price Category (Geiger) 5	+\$715
Price Category (Geiger) 6	+\$938
Price Category (Geiger) 7	+\$1164
Price Category (Geiger) 8	+\$1782
Price Category 9	+\$2210
Price Category (Geiger) 9	+\$2210
Price Category (Geiger) 10	+\$2543
Price Category 11	+\$2850
Price Category (Geiger) 11	+\$2850
Price Category 14	+\$3733
Price Category (Geiger) A	+\$226
Price Category (Geiger) C	+\$361
Price Category D	+\$476
Price Category (Geiger) D	+\$476
Price Category (Geiger) E	+\$580
Price Category F	+\$694
Price Category (Geiger) F	+\$694
Price Category G	+\$946
Price Category (Geiger) G	+\$946

Price Category (Geiger) H	+\$1177
Price Category (Geiger) I	+\$1422
Price Category (Geiger) J	+\$1667
Price Category (Geiger) K	+\$1912
Price Category (Geiger) L	+\$2156
Price Category (Geiger) M	+\$2401
Price Category (Geiger) N	+\$2646
Price Category (Geiger) O	+\$2891
Price Category (Geiger) P	+\$3127
Price Category (Geiger) Q	+\$3611
Price Category (Geiger) R	+\$5032
Price Category (Geiger) V	+\$6527
Price Category (Geiger) Z	+\$8026
Price Category (Geiger) COL <input type="checkbox"/>	+\$475
Price Category (Geiger) COM <input type="checkbox"/>	+\$0

Step 5. Base Finish

926 black <input type="checkbox"/>	+\$0
AS arctic silver <input type="checkbox"/>	+\$0
WHT white <input type="checkbox"/>	+\$0
CHR chrome <input type="checkbox"/>	+\$307
SAC satin chrome <input type="checkbox"/>	+\$307

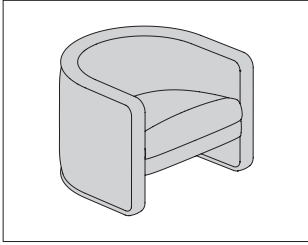
Step 6. Fire Retardancy

For no arms (N)

NOCAL not fire retardant <input type="checkbox"/>	+\$0
----------------------------------------------------------	------

For arms (A)

NOCAL not fire retardant <input type="checkbox"/>	+\$0
----------------------------------------------------------	------



HermanMiller Ancillary-Lounge Seating

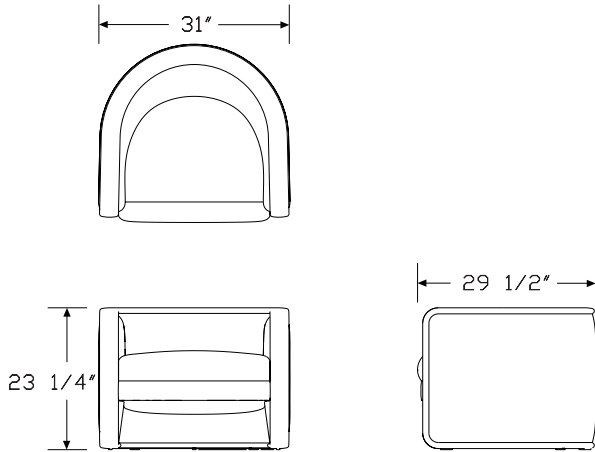
Product Information

Description

This lounge chair is foam and Dacron® upholstered to the floor and has clear glides.

Customer's Own Material (COM) requires 6½ yards for the unit: 3 yards for shell back, 3½ yards for seat cushion and arm cap. Customer's Own Leather (COL) requires 117 square feet for the unit: 54 square feet for the shell back, 63 square feet for seat cushion and arm cap. See Order Information in appendices.

Dimensions



Specification Information

Step 1.

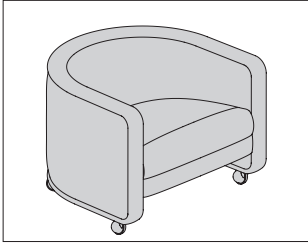
2003 [A] \$2799

Step 2. Shell Upholstery

Price Category 1	+\$0
Price Category 2	+\$176
Price Category 3	+\$220
Price Category (Geiger) 3	+\$220
Price Category 4	+\$270
Price Category (Geiger) 4	+\$270
Price Category 5	+\$392
Price Category (Geiger) 5	+\$392
Price Category (Geiger) 6	+\$515
Price Category (Geiger) 7	+\$637
Price Category (Geiger) 8	+\$972
Price Category 9	+\$1206
Price Category (Geiger) 10	+\$1390
Price Category 11	+\$1555
Price Category 14	+\$2038
Price Category C	+\$198
Price Category D	+\$263
Price Category E	+\$317
Price Category F	+\$382
Price Category G	+\$518
Price Category H	+\$644
Price Category I	+\$778
Price Category J	+\$911
Price Category K	+\$1044
Price Category L	+\$1177
Price Category M	+\$1310
Price Category P	+\$1706
Price Category Q	+\$1969
Price Category S	+\$2948
Price Category X	+\$3971
Price Category Y	+\$4172
Price Category (Geiger) COM [A]	+\$0
Price Category (Geiger) COL [A]	+\$259

U-Chair Lounge Chair *continued*

Step 3. Seat Cushion and Arm Cap Upholstery	
Price Category 1	+\$0
Price Category 2	+\$206
Price Category 3	+\$257
Price Category (Geiger) 3	+\$257
Price Category 4	+\$316
Price Category (Geiger) 4	+\$316
Price Category 5	+\$458
Price Category (Geiger) 5	+\$458
Price Category (Geiger) 6	+\$601
Price Category (Geiger) 7	+\$744
Price Category (Geiger) 8	+\$1134
Price Category 9	+\$1408
Price Category (Geiger) 10	+\$1621
Price Category 11	+\$1814
Price Category 14	+\$2377
Price Category C	+\$232
Price Category D	+\$307
Price Category E	+\$370
Price Category F	+\$445
Price Category G	+\$605
Price Category H	+\$752
Price Category I	+\$907
Price Category J	+\$1063
Price Category K	+\$1218
Price Category L	+\$1374
Price Category M	+\$1529
Price Category P	+\$1991
Price Category Q	+\$2298
Price Category S	+\$3440
Price Category X	+\$4633
Price Category Y	+\$4868
Price Category (Geiger) COL <input type="checkbox"/> A	+\$302
Price Category (Geiger) COM <input type="checkbox"/> A	+\$0
Step 4. Fire Retardancy	
NOCAL no cal-133 required <input type="checkbox"/> A	+\$0



HermanMiller Ancillary-Lounge Seating

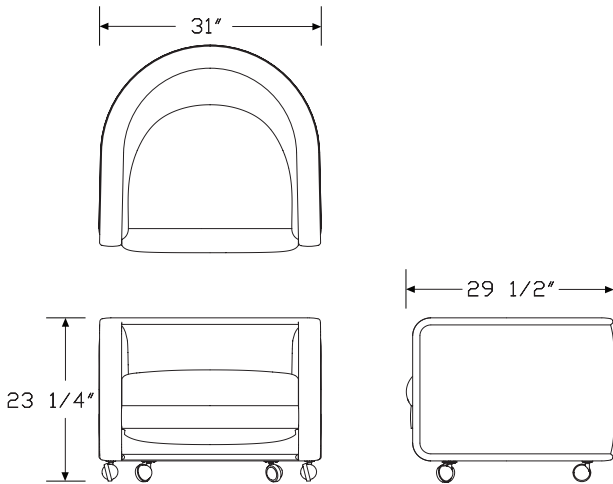
Product Information

Description

This lounge chair is foam and Dacron® upholstered to the floor and has casters.

Customer's Own Material (COM) requires 6½ yards for the unit: 3 yards for shell back, 3½ yards for seat cushion and arm cap. Customer's Own Leather (COL) requires 117 square feet for the unit: 54 square feet for the shell back, 63 square feet for seat cushion and arm cap. See Order Information in appendices.

Dimensions



Specification Information

Step 1.

2004 A \$2934

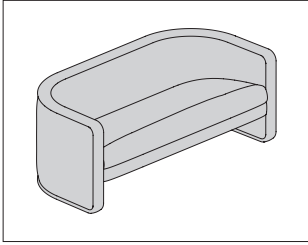
Step 2. Shell Upholstery

Price Category 1	+\$0
Price Category 2	+\$176
Price Category 3	+\$220
Price Category (Geiger) 3	+\$220
Price Category 4	+\$270
Price Category (Geiger) 4	+\$270
Price Category 5	+\$392
Price Category (Geiger) 5	+\$392
Price Category (Geiger) 6	+\$515
Price Category (Geiger) 7	+\$637
Price Category (Geiger) 8	+\$972
Price Category 9	+\$1206
Price Category (Geiger) 10	+\$1390
Price Category 11	+\$1555
Price Category 14	+\$2038
Price Category C	+\$222
Price Category D	+\$263
Price Category E	+\$317
Price Category F	+\$382
Price Category G	+\$518
Price Category H	+\$644
Price Category I	+\$778
Price Category J	+\$911
Price Category K	+\$1044
Price Category L	+\$1177
Price Category M	+\$1310
Price Category P	+\$1706
Price Category Q	+\$1969
Price Category S	+\$2948
Price Category X	+\$3971
Price Category Y	+\$4172
Price Category (Geiger) COM <input type="checkbox"/> A	+\$0
Price Category (Geiger) COL <input type="checkbox"/> A	+\$259

U-Chair Lounge Chair with Casters

continued

Step 3. Seat Cushion and Arm Cap Upholstery	
Price Category 1	+\$0
Price Category 2	+\$206
Price Category 3	+\$257
Price Category (Geiger) 3	+\$257
Price Category 4	+\$316
Price Category (Geiger) 4	+\$316
Price Category 5	+\$458
Price Category (Geiger) 5	+\$458
Price Category (Geiger) 6	+\$601
Price Category (Geiger) 7	+\$744
Price Category (Geiger) 8	+\$1134
Price Category 9	+\$1408
Price Category (Geiger) 10	+\$1621
Price Category 11	+\$1814
Price Category 14	+\$2377
Price Category C	+\$232
Price Category D	+\$307
Price Category E	+\$370
Price Category F	+\$445
Price Category G	+\$605
Price Category H	+\$752
Price Category I	+\$907
Price Category J	+\$1063
Price Category K	+\$1218
Price Category L	+\$1374
Price Category M	+\$1529
Price Category P	+\$1991
Price Category Q	+\$2298
Price Category S	+\$3440
Price Category X	+\$4633
Price Category Y	+\$4868
Price Category (Geiger) COL <input type="checkbox"/> A	+\$302
Price Category (Geiger) COM <input type="checkbox"/> A	+\$0
Step 4. Fire Retardancy	
NOCAL no cal-133 required <input type="checkbox"/> A	+\$0



HermanMiller Ancillary-Lounge Seating

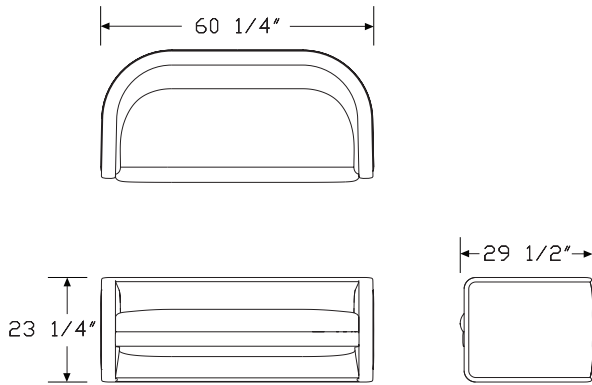
Product Information

Description

This settee is foam and Dacron® upholstered to the floor and has clear glides.

Customer's Own Material (COM) requires 9 yards for the unit: 4¾ yards for shell back, 4¼ yards for seat cushion and arm cap. Customer's Own Leather (COL) requires 161 square feet for the unit: 85 square feet for the shell back, 76 square feet for seat cushion and arm cap. See Order Information in appendices.

Dimensions



Specification Information

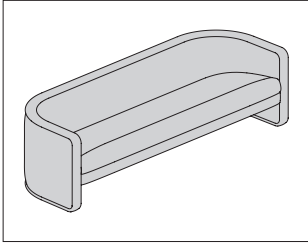
Step 1.

2006 A \$4231

Step 2. Shell Upholstery

Price Category 1	+\$0
Price Category 2	+\$280
Price Category 3	+\$348
Price Category (Geiger) 3	+\$348
Price Category 4	+\$428
Price Category (Geiger) 4	+\$428
Price Category 5	+\$622
Price Category (Geiger) 5	+\$622
Price Category (Geiger) 6	+\$816
Price Category (Geiger) 7	+\$1009
Price Category (Geiger) 8	+\$1540
Price Category 9	+\$1910
Price Category (Geiger) 10	+\$2201
Price Category 11	+\$2462
Price Category 14	+\$3227
Price Category C	+\$314
Price Category D	+\$416
Price Category E	+\$502
Price Category F	+\$605
Price Category G	+\$821
Price Category H	+\$1021
Price Category I	+\$1231
Price Category J	+\$1442
Price Category K	+\$1654
Price Category L	+\$1865
Price Category M	+\$2075
Price Category P	+\$3024
Price Category Q	+\$3119
Price Category S	+\$4669
Price Category X	+\$6288
Price Category Y	+\$6607
Price Category (Geiger) COM A	+\$0
Price Category (Geiger) COL A	+\$410

Step 3. Seat Cushion and Arm Cap Upholstery	
Price Category 1	+\$0
Price Category 2	+\$251
Price Category 3	+\$312
Price Category (Geiger) 3	+\$312
Price Category 4	+\$383
Price Category (Geiger) 4	+\$383
Price Category 5	+\$557
Price Category (Geiger) 5	+\$557
Price Category (Geiger) 6	+\$730
Price Category (Geiger) 7	+\$904
Price Category (Geiger) 8	+\$1378
Price Category 9	+\$1709
Price Category (Geiger) 10	+\$1969
Price Category 11	+\$2203
Price Category 14	+\$2887
Price Category C	+\$281
Price Category D	+\$373
Price Category E	+\$449
Price Category F	+\$541
Price Category G	+\$734
Price Category H	+\$913
Price Category I	+\$1102
Price Category J	+\$1291
Price Category K	+\$1480
Price Category L	+\$1668
Price Category M	+\$1856
Price Category P	+\$2418
Price Category Q	+\$2790
Price Category S	+\$4177
Price Category X	+\$5626
Price Category Y	+\$5911
Price Category (Geiger) COL <input type="checkbox"/> A	+\$367
Price Category (Geiger) COM <input type="checkbox"/> A	+\$0
Step 4. Fire Retardancy	
NOCAL no cal-133 required <input type="checkbox"/> A	+\$0



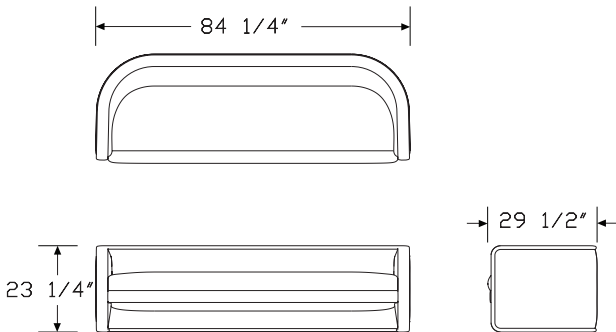
HermanMiller Ancillary-Lounge Seating

Product Information

Description

This sofa is foam and Dacron® upholstered to the floor and has clear glides. Customer's Own Material (COM) requires 11 yards for the unit: 5¾ yards for shell back, 5¼ yards for seat cushion and arm cap. Customer's Own Leather (COL) requires 180 square feet for the unit: 94½ square feet for the shell back, 85½ square feet for seat cushion and arm cap. See Order Information in appendices.

Dimensions



Specification Information

Step 1.

2007 A \$5456

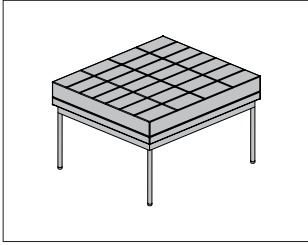
Step 2. Shell Upholstery

Price Category 1	+\$0
Price Category 2	+\$310
Price Category 3	+\$385
Price Category (Geiger) 3	+\$385
Price Category 4	+\$473
Price Category (Geiger) 4	+\$473
Price Category 5	+\$688
Price Category (Geiger) 5	+\$688
Price Category (Geiger) 6	+\$901
Price Category (Geiger) 7	+\$1116
Price Category (Geiger) 8	+\$1702
Price Category 9	+\$2111
Price Category (Geiger) 10	+\$2432
Price Category 11	+\$2722
Price Category 14	+\$3566
Price Category C	+\$347
Price Category D	+\$461
Price Category E	+\$554
Price Category F	+\$668
Price Category G	+\$907
Price Category H	+\$1128
Price Category I	+\$1361
Price Category J	+\$1595
Price Category K	+\$1828
Price Category L	+\$2060
Price Category M	+\$2293
Price Category P	+\$2987
Price Category Q	+\$3446
Price Category S	+\$5160
Price Category X	+\$6949
Price Category Y	+\$7302
Price Category (Geiger) COM <input type="checkbox"/> A	+\$0
Price Category (Geiger) COL <input type="checkbox"/> A	+\$454

Step 3. Seat Cushion and Arm Cap Upholstery	
Price Category 1	+\$0
Price Category 2	+\$280
Price Category 3	+\$348
Price Category (Geiger) 3	+\$348
Price Category 4	+\$428
Price Category (Geiger) 4	+\$428
Price Category 5	+\$622
Price Category (Geiger) 5	+\$622
Price Category (Geiger) 6	+\$816
Price Category (Geiger) 7	+\$1009
Price Category (Geiger) 8	+\$1540
Price Category 9	+\$1910
Price Category (Geiger) 10	+\$2201
Price Category 11	+\$2462
Price Category 14	+\$3227
Price Category C	+\$314
Price Category D	+\$416
Price Category E	+\$502
Price Category F	+\$605
Price Category G	+\$821
Price Category H	+\$1021
Price Category I	+\$1231
Price Category J	+\$1442
Price Category K	+\$1654
Price Category L	+\$1865
Price Category M	+\$2075
Price Category P	+\$3024
Price Category Q	+\$3119
Price Category S	+\$4669
Price Category X	+\$6288
Price Category Y	+\$6607
Price Category (Geiger) COL <input type="checkbox"/> A	+\$410
Price Category (Geiger) COM <input type="checkbox"/> A	+\$0
Step 4. Fire Retardancy	
NOCAL no cal-133 required <input type="checkbox"/> A	+\$0

Tuxedo Component Lounge™
Ottoman

ST1BN
ST1BQ



HermanMiller Ancillary-Lounge Seating

Product Information

Description

This 17"-high ottoman has a foam and Dacron® seat with a painted or plated steel base.

Notes

Customer's Own Material (COM)/Customer's Own Leather (COL) requires the following:

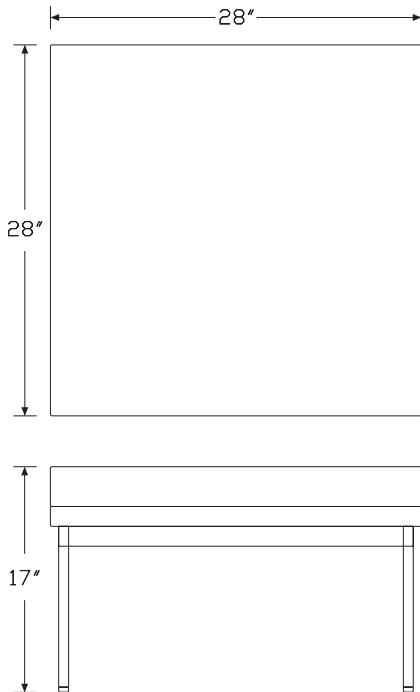
Type—COM—COL

Not quilted—1½ yards—27 square feet

Quilted—1½ yards—27 square feet

See Order Information in Appendices for more information.

Dimensions



Specification Information

Step 1.

ST1B A

Step 2. Upholstery Type

N not quilted A

Q quilted A

Prices for Steps 1-2.

ST1BN	\$1810
ST1BQ	\$1858

Step 3. Upholstery

For quilted (Q)

Price Category 1	+\$0
Price Category (Geiger) 1	+-\$25
Price Category 2	+\$89
Price Category (Geiger) 2	+\$89
Price Category 3	+\$110
Price Category (Geiger) 3	+\$110
Price Category 4	+\$134
Price Category (Geiger) 4	+\$134
Price Category 5	+\$196
Price Category (Geiger) 5	+\$196
Price Category (Geiger) 6	+\$257
Price Category (Geiger) 7	+\$318
Price Category (Geiger) 8	+\$486
Price Category 9	+\$604
Price Category (Geiger) 9	+\$604
Price Category (Geiger) 10	+\$694
Price Category (Geiger) 11	+\$778
Price Category (Geiger) 14	+\$1019
Price Category (Geiger) A	+\$62
Price Category (Geiger) C	+\$100
Price Category D	+\$131
Price Category (Geiger) D	+\$131
Price Category (Geiger) E	+\$158
Price Category F	+\$190
Price Category (Geiger) F	+\$190
Price Category G	+\$259
Price Category (Geiger) G	+\$259
Price Category (Geiger) H	+\$322
Price Category (Geiger) I	+\$389
Price Category (Geiger) J	+\$456
Price Category (Geiger) K	+\$522
Price Category (Geiger) L	+\$589

Tuxedo Component Lounge™ Ottoman *continued*

Price Category (Geiger) M	+\$655
Price Category (Geiger) N	+\$722
Price Category (Geiger) O	+\$790
Price Category (Geiger) P	+\$853
Price Category (Geiger) Q	+\$985
Price Category (Geiger) R	+\$1373
Price Category (Geiger) V	+\$1781
Price Category (Geiger) Z	+\$2189
Price Category (Geiger) COL <input type="checkbox"/> A	+\$130
Price Category (Geiger) COM <input type="checkbox"/> A	+\$0

For not quilted (N)

Price Category 1	+\$0
Price Category (Geiger) 1	+\$25
Price Category 2	+\$89
Price Category (Geiger) 2	+\$89
Price Category 3	+\$110
Price Category (Geiger) 3	+\$110
Price Category 4	+\$134
Price Category (Geiger) 4	+\$134
Price Category 5	+\$196
Price Category (Geiger) 5	+\$196
Price Category (Geiger) 6	+\$257
Price Category (Geiger) 7	+\$318
Price Category (Geiger) 8	+\$486
Price Category 9	+\$604
Price Category (Geiger) 9	+\$604
Price Category (Geiger) 10	+\$694
Price Category (Geiger) 11	+\$778
Price Category (Geiger) 14	+\$1019
Price Category (Geiger) A	+\$62
Price Category (Geiger) C	+\$100
Price Category D	+\$131
Price Category (Geiger) D	+\$131
Price Category (Geiger) E	+\$158
Price Category F	+\$190
Price Category (Geiger) F	+\$190
Price Category G	+\$259
Price Category (Geiger) G	+\$259
Price Category (Geiger) H	+\$322
Price Category (Geiger) I	+\$389
Price Category (Geiger) J	+\$456
Price Category (Geiger) K	+\$522
Price Category (Geiger) L	+\$589
Price Category (Geiger) M	+\$655
Price Category (Geiger) N	+\$722
Price Category (Geiger) O	+\$790

Price Category (Geiger) P	+\$853
Price Category (Geiger) Q	+\$985
Price Category (Geiger) R	+\$1373
Price Category (Geiger) V	+\$1781
Price Category (Geiger) X	+\$1985
Price Category (Geiger) Y	+\$2087
Price Category (Geiger) Z	+\$2189
Price Category (Geiger) COL <input type="checkbox"/> A	+\$130
Price Category (Geiger) COM <input type="checkbox"/> A	+\$0

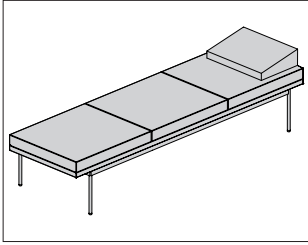
Step 4. Base Finish

926 black <input type="checkbox"/> A	+\$0
AS arctic silver <input type="checkbox"/> A	+\$0
WHT white <input type="checkbox"/> A	+\$0
CHR chrome <input type="checkbox"/> A	+\$307
SAC satin chrome <input type="checkbox"/> A	+\$307

Step 5. Fire Retardancy

NOCAL not fire retardant <input type="checkbox"/> A	+\$0
------------------------------------------------------------	------

Tuxedo Component Lounge™ Daybed **ST3DN**
ST3DQ



HermanMiller Ancillary-Lounge Seating

Product Information

Description

This 17"-high daybed has a foam and Dacron® seat with a painted or plated steel base.

Notes

Customer's Own Material (COM)/Customer's Own Leather (COL) requires the following:

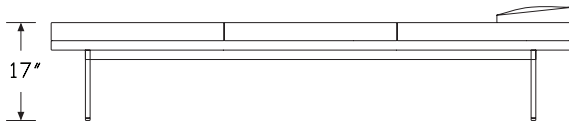
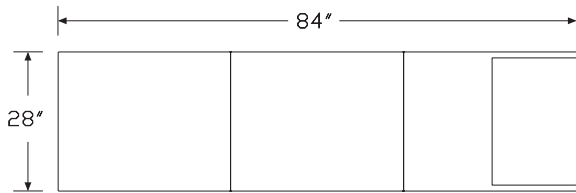
Type—COM—COL

Not quilted—6½ yards—117 square feet

Quilted—6½ yards—117 square feet

See Order Information in Appendices for more information.

Dimensions



Specification Information

Step 1.

ST3D A

Step 2. Upholstery Type

N not quilted A

Q quilted A

Prices for Steps 1-2.

ST3DN	\$4538
ST3DQ	\$4633

Step 3. Upholstery

For quilted (Q)

Price Category 1	+\$0
Price Category (Geiger) 1	+\$314
Price Category 2	+\$379
Price Category (Geiger) 2	+\$379
Price Category 3	+\$475
Price Category (Geiger) 3	+\$475
Price Category 4	+\$580
Price Category (Geiger) 4	+\$580
Price Category 5	+\$845
Price Category (Geiger) 5	+\$845
Price Category (Geiger) 6	+\$1109
Price Category (Geiger) 7	+\$1375
Price Category (Geiger) 8	+\$2106
Price Category 9	+\$2612
Price Category (Geiger) 9	+\$2612
Price Category (Geiger) 10	+\$3005
Price Category (Geiger) 11	+\$3367
Price Category (Geiger) 14	+\$4412
Price Category (Geiger) A	+\$266
Price Category (Geiger) C	+\$427
Price Category D	+\$563
Price Category (Geiger) D	+\$563
Price Category (Geiger) E	+\$684
Price Category F	+\$820
Price Category (Geiger) F	+\$820
Price Category G	+\$1118
Price Category (Geiger) G	+\$1118
Price Category (Geiger) H	+\$1391
Price Category (Geiger) I	+\$1680
Price Category (Geiger) J	+\$1969
Price Category (Geiger) K	+\$2258
Price Category (Geiger) L	+\$2548

Tuxedo Component Lounge™ Daybed

continued

Price Category (Geiger) M	+\$2837
Price Category (Geiger) N	+\$3126
Price Category (Geiger) O	+\$3415
Price Category (Geiger) P	+\$3696
Price Category (Geiger) Q	+\$4267
Price Category (Geiger) R	+\$5946
Price Category (Geiger) V	+\$7714
Price Category (Geiger) Z	+\$9485
Price Category (Geiger) COL <input type="checkbox"/>	+\$562
Price Category (Geiger) COM <input type="checkbox"/>	+\$0

For not quilted (N)

Price Category 1	+\$0
Price Category (Geiger) 1	+\$314
Price Category 2	+\$379
Price Category (Geiger) 2	+\$379
Price Category 3	+\$475
Price Category (Geiger) 3	+\$475
Price Category 4	+\$580
Price Category (Geiger) 4	+\$580
Price Category 5	+\$845
Price Category (Geiger) 5	+\$845
Price Category (Geiger) 6	+\$1109
Price Category (Geiger) 7	+\$1375
Price Category (Geiger) 8	+\$2106
Price Category 9	+\$2612
Price Category (Geiger) 9	+\$2612
Price Category (Geiger) 10	+\$3005
Price Category (Geiger) 11	+\$3367
Price Category (Geiger) 14	+\$4412
Price Category (Geiger) A	+\$266
Price Category (Geiger) C	+\$427
Price Category D	+\$563
Price Category (Geiger) D	+\$563
Price Category (Geiger) E	+\$684
Price Category F	+\$820
Price Category (Geiger) F	+\$820
Price Category G	+\$1118
Price Category (Geiger) G	+\$1118
Price Category (Geiger) H	+\$1391
Price Category (Geiger) I	+\$1680
Price Category (Geiger) J	+\$1969
Price Category (Geiger) K	+\$2258
Price Category (Geiger) L	+\$2548
Price Category (Geiger) M	+\$2837
Price Category (Geiger) N	+\$3126
Price Category (Geiger) O	+\$3415

Price Category (Geiger) P	+\$3696
Price Category (Geiger) Q	+\$4267
Price Category (Geiger) R	+\$5946
Price Category (Geiger) V	+\$7714
Price Category (Geiger) X	+\$8597
Price Category (Geiger) Y	+\$9040
Price Category (Geiger) Z	+\$9485
Price Category (Geiger) COL <input type="checkbox"/>	+\$562
Price Category (Geiger) COM <input type="checkbox"/>	+\$0

Step 4. Base Finish

926 black <input type="checkbox"/>	+\$0
AS arctic silver <input type="checkbox"/>	+\$0
WHT white <input type="checkbox"/>	+\$0
CHR chrome <input type="checkbox"/>	+\$671
SAC satin chrome <input type="checkbox"/>	+\$671

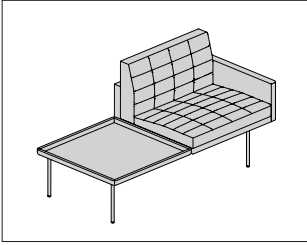
Step 5. Fire Retardancy

NOCAL not fire retardant <input type="checkbox"/>	+\$0
----------------------------------------------------------	------

HermanMiller Ancillary-Lounge Seating

Tuxedo Component Lounge with Table - One Seat

SX1AL
SX1AR
SX1NL
SX1NR



Product Information

Description

This 1-seat lounge with table has a steel plated metal base with cushions made of polyfoam and DACRON®. Cushions are quilted or not quilted. The unit is available with an arm on 1 side, or without arms, and with the table on either the left or right side. Table top is solid wood 1½" thick.

Notes

Handedness is determined from a seated position.

Order ganging plates (STGP) separately.

Customer's Own Material (COM)/Customer's Own Leather (COL) requires the following:

Type—COM—COL

SX1ALN—4¾ yards—85½ square feet

SX1ALQ—4¾ yards—85½ square feet

SX1ARN—4¾ yards—85½ square feet

SX1ARQ—4¾ yards—85½ square feet

SX1NLN—3¾ yards—67½ square feet

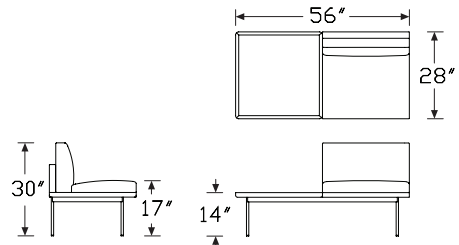
SX1NLQ—3¾ yards—67½ square feet

SX1NRN—3¾ yards—67½ square feet

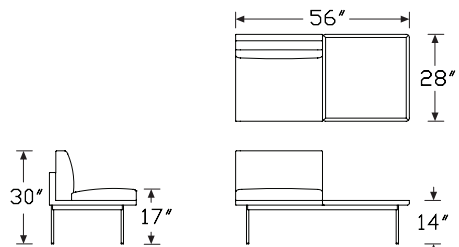
SX1NRQ—3¾ yards—67½ square feet

See Order Information in Appendices for more information.

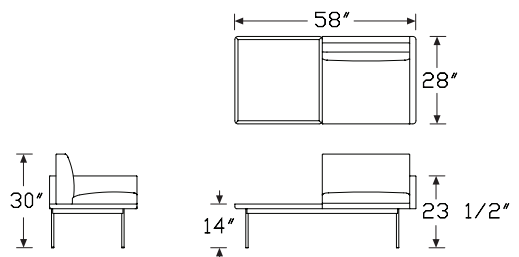
Dimensions



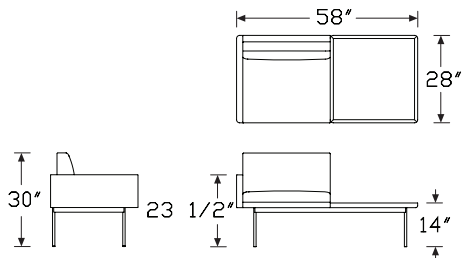
Tuxedo 1 Seat Armless, Table Right



Tuxedo 1 Seat Armless, Table Left



Tuxedo 1 Seat Arm, Table Right



Tuxedo 1 Seat Arm, Table Left

Tuxedo Component Lounge with
Table - One Seat *continued*

Specification Information

Step 1.

SX1 A

Step 2. Arms

A arm 1 side A

N no arms A

Step 3. Handing

L seating left, table right A

R seating right, table left A

Step 4. Upholstery Type

N not quilted A

Q quilted A

Prices for Steps 1-4.

SX1AL	N	\$5213
	Q	\$5396
SX1AR	N	\$5213
	Q	\$5396
SX1NL	N	\$4756
	Q	\$4947
SX1NR	N	\$4756
	Q	\$4947

Step 5. Wood Finish

Matte Finishes

662	toasted walnut, matte sheen <input type="checkbox"/> A	+\$0
663	charred walnut, matte sheen <input type="checkbox"/> A	+\$0
664	bronzed walnut, matte sheen <input type="checkbox"/> A	+\$0
665	smoked walnut, matte sheen <input type="checkbox"/> A	+\$0
666	coffee walnut, matte sheen <input type="checkbox"/> A	+\$0
667	smoked paldao, quarter cut, matte sheen <input type="checkbox"/> A	+\$0
669	warm paldao, quarter cut, matte sheen <input type="checkbox"/> A	+\$0
66A	recograin frosty ash <input type="checkbox"/> A	+\$0
677	chocolate ash, matte sheen <input type="checkbox"/> A	+\$0
68R	recograin rosewood <input type="checkbox"/> A	+\$0
69A	recograin frosty ash <input type="checkbox"/> A	+\$0
69R	recograin rosewood <input type="checkbox"/> A	+\$0
69T	recograin teak <input type="checkbox"/> A	+\$0
6K1	rift oak <input type="checkbox"/> A	+\$0
ET	clear on ash <input type="checkbox"/> A	+\$0

EU	oak on ash <input type="checkbox"/> A	+\$0
EV	walnut on ash <input type="checkbox"/> A	+\$0
GOU	natural walnut, flat cut, matte sheen <input type="checkbox"/> A	+\$0
6A1	white ash <input type="checkbox"/> A	+\$0
6K6	burnt oak <input type="checkbox"/> A	+\$0
932	sundance anigre <input type="checkbox"/> A	+\$0
933	caramel anigre <input type="checkbox"/> A	+\$0
934	henna anigre <input type="checkbox"/> A	+\$0
940	sundance cherry on maple <input type="checkbox"/> A	+\$0
962	toasted walnut, low sheen <input type="checkbox"/> A	+\$0
963	charred walnut, low sheen <input type="checkbox"/> A	+\$0
964	bronzed walnut, low sheen <input type="checkbox"/> A	+\$0
965	smoked walnut, low sheen <input type="checkbox"/> A	+\$0
966	coffee walnut, low sheen <input type="checkbox"/> A	+\$0
967	smoked paldao, low sheen <input type="checkbox"/> A	+\$0
969	warm paldao, low sheen <input type="checkbox"/> A	+\$0
972	sundance walnut <input type="checkbox"/> A	+\$0
977	chocolate ash, low sheen <input type="checkbox"/> A	+\$0
98R	recograin rosewood <input type="checkbox"/> A	+\$0
991	champagne ash <input type="checkbox"/> A	+\$0
99A	recograin frosty ash <input type="checkbox"/> A	+\$0
99R	recograin rosewood <input type="checkbox"/> A	+\$0
99T	recograin teak <input type="checkbox"/> A	+\$0
9A1	white ash, quarter cut, low sheen <input type="checkbox"/> A	+\$0
9K1	rift oak, rift cut, low sheen <input type="checkbox"/> A	+\$0
9K6	burnt oak, rift cut, low sheen <input type="checkbox"/> A	+\$0
G2U	light brown walnut, low sheen <input type="checkbox"/> A	+\$0
G40	dark brown walnut, low sheen <input type="checkbox"/> A	+\$0
943	caramel cherry <input type="checkbox"/> A	+\$0
946	cocoa cherry <input type="checkbox"/> A	+\$0
956	cocoa sapele <input type="checkbox"/> A	+\$0
998	ebony ash <input type="checkbox"/> A	+\$0

RecoGrain Veneer

68W	recograin walnut, flat cut, matte sheen <input type="checkbox"/> A	+\$0
69W	recograin walnut, quarter cut, matte sheen <input type="checkbox"/> A	+\$0

Recon Veneer -

98W	recograin walnut, flat cut, low sheen <input type="checkbox"/> A	+\$0
99W	recograin walnut, quarter cut, low sheen <input type="checkbox"/> A	+\$0

Step 6. Fabric

For arm 1 side (A) with not quilted (N)

Price Category (Geiger) 11	+\$2460
Price Category P	+\$2252
Price Category (Geiger) 1	+\$0

Tuxedo Component Lounge with
Table - One Seat *continued*

HermanMiller Ancillary-Lounge Seating

Price Category 1	+\$0
Price Category (Geiger) 2	+\$276
Price Category 2	+\$276
Price Category (Geiger) 3	+\$347
Price Category 3	+\$347
Price Category (Geiger) 4	+\$424
Price Category 4	+\$424
Price Category (Geiger) 5	+\$617
Price Category 5	+\$617
Price Category (Geiger) 6	+\$811
Price Category (Geiger) 7	+\$1004
Price Category (Geiger) 8	+\$1540
Price Category (Geiger) 9	+\$1909
Price Category 9	+\$1909
Price Category (Geiger) 10	+\$2197
Price Category 14	+\$3227
Price Category (Geiger) C	+\$312
Price Category (Geiger) D	+\$412
Price Category D	+\$400
Price Category (Geiger) E	+\$500
Price Category (Geiger) F	+\$600
Price Category F	+\$600
Price Category (Geiger) G	+\$562
Price Category G	+\$646
Price Category (Geiger) COM A	+\$0
Price Category (Geiger) COL A	+\$410
Price Category (Geiger) H	+\$1016
Price Category (Geiger) I	+\$1228
Price Category (Geiger) J	+\$1439
Price Category (Geiger) K	+\$1651
Price Category (Geiger) L	+\$1862
Price Category (Geiger) M	+\$2074
Price Category (Geiger) R	+\$4345

For arm 1 side (A) with quilted (Q)

Price Category (Geiger) 11	+\$2460
Price Category (Geiger) 1	+\$0
Price Category 1	+\$0
Price Category 2	+\$276
Price Category (Geiger) 2	+\$276
Price Category 3	+\$347
Price Category (Geiger) 3	+\$347
Price Category 4	+\$424
Price Category (Geiger) 4	+\$424
Price Category 5	+\$617
Price Category (Geiger) 5	+\$617
Price Category (Geiger) 6	+\$811
Price Category (Geiger) 7	+\$1004
Price Category (Geiger) 8	+\$1540
Price Category 9	+\$1909
Price Category (Geiger) 9	+\$1909
Price Category (Geiger) 10	+\$2197
Price Category 14	+\$3227
Price Category (Geiger) C	+\$312
Price Category D	+\$400
Price Category (Geiger) D	+\$412
Price Category F	+\$600
Price Category (Geiger) F	+\$600
Price Category G	+\$646
Price Category (Geiger) G	+\$562
Price Category (Geiger) H	+\$1016
Price Category (Geiger) K	+\$1651
Price Category (Geiger) L	+\$1862
Price Category (Geiger) M	+\$2074
Price Category (Geiger) R	+\$4345
Price Category (Geiger) COL A	+\$410
Price Category (Geiger) COM A	+\$0

For no arms (N) with not quilted (N)

Price Category (Geiger) 11	+\$1943
Price Category P	+\$1778
Price Category (Geiger) 1	+\$0
Price Category 1	+\$0
Price Category (Geiger) 2	+\$218
Price Category 2	+\$218
Price Category (Geiger) 3	+\$274
Price Category 3	+\$274
Price Category (Geiger) 4	+\$335
Price Category 4	+\$458
Price Category (Geiger) 5	+\$487
Price Category 5	+\$487

Tuxedo Component Lounge with
Table - One Seat *continued*

Price Category (Geiger) 6	+\$641
Price Category (Geiger) 7	+\$793
Price Category (Geiger) 8	+\$1216
Price Category (Geiger) 9	+\$1507
Price Category 9	+\$1507
Price Category (Geiger) 10	+\$1735
Price Category 14	+\$2548
Price Category (Geiger) C	+\$246
Price Category (Geiger) D	+\$325
Price Category D	+\$316
Price Category (Geiger) E	+\$395
Price Category (Geiger) F	+\$474
Price Category F	+\$474
Price Category (Geiger) G	+\$562
Price Category G	+\$646
Price Category (Geiger) H	+\$803
Price Category (Geiger) I	+\$970
Price Category (Geiger) K	+\$1303
Price Category (Geiger) L	+\$1470
Price Category (Geiger) M	+\$1637
Price Category (Geiger) R	+\$3431
Price Category (Geiger) COM <input type="checkbox"/>	+\$0
Price Category (Geiger) COL <input type="checkbox"/>	+\$324

<i>For no arms (N) with quilted (Q)</i>	
Price Category (Geiger) 11	+\$1943
Price Category (Geiger) 1	+\$0
Price Category 1	+\$0
Price Category 2	+\$218
Price Category (Geiger) 2	+\$218
Price Category 3	+\$274
Price Category (Geiger) 3	+\$274
Price Category 4	+\$458
Price Category (Geiger) 4	+\$335
Price Category 5	+\$487
Price Category (Geiger) 5	+\$487
Price Category (Geiger) 6	+\$641
Price Category (Geiger) 7	+\$793
Price Category (Geiger) 8	+\$1216
Price Category 9	+\$1507
Price Category (Geiger) 9	+\$1507
Price Category (Geiger) 10	+\$1735
Price Category 14	+\$2548
Price Category (Geiger) C	+\$246
Price Category D	+\$316
Price Category (Geiger) D	+\$325
Price Category F	+\$474
Price Category (Geiger) F	+\$474
Price Category G	+\$646
Price Category (Geiger) G	+\$562
Price Category (Geiger) H	+\$803
Price Category (Geiger) K	+\$1303
Price Category (Geiger) L	+\$1470
Price Category (Geiger) M	+\$1637
Price Category (Geiger) R	+\$3431
Price Category (Geiger) COL <input type="checkbox"/>	+\$324
Price Category (Geiger) COM <input type="checkbox"/>	+\$0

Step 7. Base Finish	
926 black <input type="checkbox"/>	+\$0
AS arctic silver <input type="checkbox"/>	+\$0
WHT white <input type="checkbox"/>	+\$0
CHR chrome <input type="checkbox"/>	+\$671
SAC satin chrome <input type="checkbox"/>	+\$671

Step 8. Fire Retardancy	
<i>For arm 1 side (A)</i>	
NOCAL no cal-133 required <input type="checkbox"/>	+\$0

HermanMiller Ancillary-Lounge Seating

Tuxedo Component Lounge with
Table - One Seat *continued*

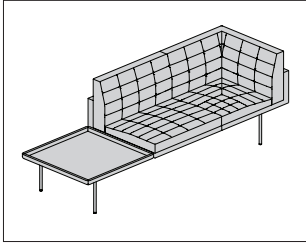
For no arms (N)

NOCAL no cal-133 required A +\$0

HermanMiller Ancillary-Lounge Seating

Tuxedo Component Lounge with Table - Two Seats

- SX2AL
- SX2AR
- SX2CL
- SX2CR
- SX2NL
- SX2NR



Product Information

Description

This 2-seat lounge with table has a steel plated metal base with cushions made of polyfoam and DACRON®. Cushions are quilted or not quilted. The unit is available with a corner on 1 side, an arm on 1 side, or without arms, and with the table on either the left or right side. Table top is solid wood 1½" thick.

Notes

Handedness is determined from a seated position.

Order ganging plates (STGP) separately.

Customer's Own Material (COM)/Customer's Own Leather (COL) requires the following:

Type—COM—COL

SX2ALN—8½ yards—153 square feet

SX2ALQ—8½ yards—153 square feet

SX2ARN—8½ yards—153 square feet

SX2ARQ—8½ yards—153 square feet

SX2CLN—9¼ yards—166½ square feet

SX2CLQ—9¼ yards—166½ square feet

SX2CRN—9¼ yards—166½ square feet

SX2CRQ—9¼ yards—166½ square feet

SX2NLN—7½ yards—135 square feet

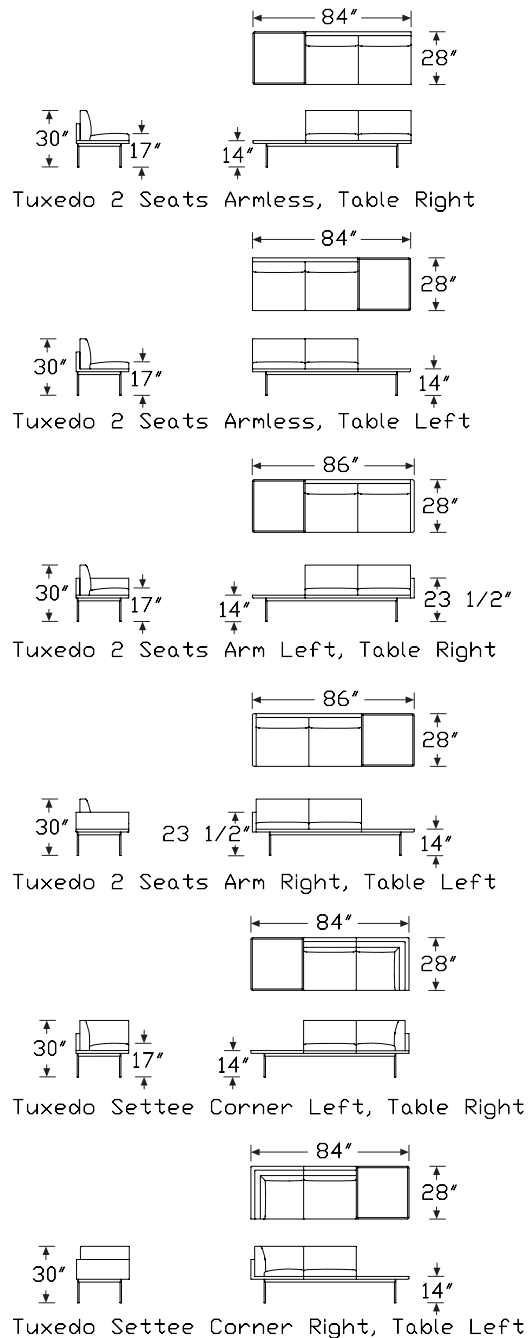
SX2NLQ—7½ yards—135 square feet

SX2NRN—7½ yards—135 square feet

SX2NRQ—7½ yards—135 square feet

See Order Information in Appendices for more information.

Dimensions



Tuxedo Component Lounge with
Table - Two Seats *continued*

HermanMiller Ancillary-Lounge Seating

Specification Information

Step 1.

SX2 A

Step 2. Arms

- A** arm 1 side A
- C** corner 1 side A
- N** no arms A

Step 3. Handing

- L** seating left, table right A
- R** seating right, table left A

Step 4. Upholstery Type

- N** not quilted A
- Q** quilted A

Prices for Steps 1-4.

SX2AL	N	\$6788
	Q	\$7169
SX2AR	N	\$6788
	Q	\$7169
SX2CL	N	\$7606
	Q	\$8056
SX2CR	N	\$7606
	Q	\$8056
SX2NL	N	\$6338
	Q	\$6719
SX2NR	N	\$6338
	Q	\$6719

Step 5. Wood Finish

68W	recograin walnut, flat cut, matte sheen <input type="checkbox"/> A	+\$0
69W	recograin walnut, quarter cut, matte sheen <input type="checkbox"/> A	+\$0
98W	recograin walnut, flat cut, low sheen <input type="checkbox"/> A	+\$0
99W	recograin walnut, quarter cut, low sheen <input type="checkbox"/> A	+\$0

Matte Finishes

662	toasted walnut, matte sheen <input type="checkbox"/> A	+\$0
663	charred walnut, matte sheen <input type="checkbox"/> A	+\$0
664	bronzed walnut, matte sheen <input type="checkbox"/> A	+\$0
665	smoked walnut, matte sheen <input type="checkbox"/> A	+\$0

666	coffee walnut, matte sheen <input type="checkbox"/> A	+\$0
667	smoked paldao, quarter cut, matte sheen <input type="checkbox"/> A	+\$0
669	warm paldao, quarter cut, matte sheen <input type="checkbox"/> A	+\$0
66A	recograin frosty ash <input type="checkbox"/> A	+\$0
677	chocolate ash, matte sheen <input type="checkbox"/> A	+\$0
68R	recograin rosewood <input type="checkbox"/> A	+\$0
69A	recograin frosty ash <input type="checkbox"/> A	+\$0
69R	recograin rosewood <input type="checkbox"/> A	+\$0
69T	recograin teak <input type="checkbox"/> A	+\$0
6K1	rift oak <input type="checkbox"/> A	+\$0
ET	clear on ash <input type="checkbox"/> A	+\$0
EU	oak on ash <input type="checkbox"/> A	+\$0
EV	walnut on ash <input type="checkbox"/> A	+\$0
GOU	natural walnut, flat cut, matte sheen <input type="checkbox"/> A	+\$0
6A1	white ash <input type="checkbox"/> A	+\$0
6K6	burnt oak <input type="checkbox"/> A	+\$0
932	sundance anigre <input type="checkbox"/> A	+\$0
933	caramel anigre <input type="checkbox"/> A	+\$0
934	henna anigre <input type="checkbox"/> A	+\$0
940	sundance cherry on maple <input type="checkbox"/> A	+\$0
962	toasted walnut, low sheen <input type="checkbox"/> A	+\$0
963	charred walnut, low sheen <input type="checkbox"/> A	+\$0
964	bronzed walnut, low sheen <input type="checkbox"/> A	+\$0
965	smoked walnut, low sheen <input type="checkbox"/> A	+\$0
966	coffee walnut, low sheen <input type="checkbox"/> A	+\$0
967	smoked paldao, low sheen <input type="checkbox"/> A	+\$0
969	warm paldao, low sheen <input type="checkbox"/> A	+\$0
972	sundance walnut <input type="checkbox"/> A	+\$0
977	chocolate ash, low sheen <input type="checkbox"/> A	+\$0
98R	recograin rosewood <input type="checkbox"/> A	+\$0
991	champagne ash <input type="checkbox"/> A	+\$0
99A	recograin frosty ash <input type="checkbox"/> A	+\$0
99R	recograin rosewood <input type="checkbox"/> A	+\$0
99T	recograin teak <input type="checkbox"/> A	+\$0
9A1	white ash, quarter cut, low sheen <input type="checkbox"/> A	+\$0
9K1	rift oak, rift cut, low sheen <input type="checkbox"/> A	+\$0
G2U	light brown walnut, low sheen <input type="checkbox"/> A	+\$0
G40	dark brown walnut, low sheen <input type="checkbox"/> A	+\$0
943	caramel cherry <input type="checkbox"/> A	+\$0
946	cocoa cherry <input type="checkbox"/> A	+\$0
956	cocoa sapele <input type="checkbox"/> A	+\$0
998	ebony ash <input type="checkbox"/> A	+\$0

Tuxedo Component Lounge with
Table - Two Seats *continued*

Step 6. Fabric

For arm 1 side (A) with not quilted (N)

Price Category (Geiger) 11	+\$4403
Price Category P	+\$2252
Price Category 1	+\$0
Price Category 2	+\$494
Price Category (Geiger) 2	+\$494
Price Category 3	+\$622
Price Category (Geiger) 3	+\$622
Price Category 4	+\$757
Price Category (Geiger) 4	+\$757
Price Category 5	+\$1104
Price Category (Geiger) 5	+\$1104
Price Category (Geiger) 6	+\$1451
Price Category 7	+\$1798
Price Category (Geiger) 7	+\$1798
Price Category (Geiger) 8	+\$2753
Price Category 9	+\$3415
Price Category (Geiger) 9	+\$3418
Price Category (Geiger) 10	+\$3930
Price Category 14	+\$5773
Price Category D	+\$714
Price Category (Geiger) D	+\$736
Price Category (Geiger) E	+\$894
Price Category F	+\$1073
Price Category (Geiger) F	+\$1073
Price Category G	+\$646
Price Category (Geiger) G	+\$1469
Price Category (Geiger) H	+\$1462
Price Category (Geiger) I	+\$1819
Price Category (Geiger) K	+\$2575
Price Category (Geiger) L	+\$2953
Price Category (Geiger) M	+\$3331
Price Category (Geiger) R	+\$7775
Price Category (Geiger) COL A	+\$734
Price Category (Geiger) COM A	+\$0

For arm 1 side (A) with quilted (Q)

Price Category (Geiger) 11	+\$4403
Price Category 1	+\$0
Price Category 2	+\$494
Price Category (Geiger) 2	+\$494
Price Category 3	+\$622
Price Category (Geiger) 3	+\$622
Price Category 4	+\$757
Price Category (Geiger) 4	+\$757
Price Category 5	+\$1104
Price Category (Geiger) 5	+\$1104
Price Category (Geiger) 6	+\$1451
Price Category 7	+\$1798
Price Category (Geiger) 7	+\$1798
Price Category (Geiger) 8	+\$2753
Price Category 9	+\$3415
Price Category (Geiger) 9	+\$3418
Price Category (Geiger) 10	+\$3930
Price Category 14	+\$5773
Price Category D	+\$714
Price Category (Geiger) D	+\$736
Price Category F	+\$1073
Price Category (Geiger) F	+\$1073
Price Category G	+\$646
Price Category (Geiger) G	+\$1469
Price Category (Geiger) H	+\$1819
Price Category (Geiger) K	+\$2953
Price Category (Geiger) L	+\$3331
Price Category (Geiger) M	+\$3710
Price Category (Geiger) R	+\$7775
Price Category (Geiger) COL A	+\$734
Price Category (Geiger) COM A	+\$0

For corner 1 side (C) with not quilted (N)

Price Category (Geiger) 1	+\$0
Price Category (Geiger) 11	+\$4792
Price Category P	+\$4385
Price Category 1	+\$0
Price Category 2	+\$539
Price Category (Geiger) 2	+\$539
Price Category 3	+\$676
Price Category (Geiger) 3	+\$676
Price Category 4	+\$823
Price Category (Geiger) 4	+\$823
Price Category 5	+\$1201
Price Category (Geiger) 5	+\$1201
Price Category (Geiger) 6	+\$1579

Tuxedo Component Lounge with
Table - Two Seats *continued*

HermanMiller Ancillary-Lounge Seating

Price Category 7	+\$1956
Price Category (Geiger) 7	+\$1956
Price Category (Geiger) 8	+\$2996
Price Category 9	+\$3716
Price Category (Geiger) 9	+\$3719
Price Category (Geiger) 10	+\$4277
Price Category 14	+\$6283
Price Category D	+\$778
Price Category (Geiger) D	+\$802
Price Category (Geiger) E	+\$972
Price Category F	+\$1168
Price Category (Geiger) F	+\$1168
Price Category G	+\$646
Price Category (Geiger) G	+\$1598
Price Category (Geiger) H	+\$1978
Price Category (Geiger) I	+\$2389
Price Category (Geiger) J	+\$2801
Price Category (Geiger) K	+\$3212
Price Category (Geiger) L	+\$3624
Price Category (Geiger) M	+\$4036
Price Category (Geiger) R	+\$8461
Price Category (Geiger) COL <input type="checkbox"/>	+\$799
Price Category (Geiger) COM <input type="checkbox"/>	+\$0

<i>For corner 1 side (C) with quilted (Q)</i>	
Price Category (Geiger) 1	+\$0
Price Category (Geiger) 11	+\$4792
Price Category 1	+\$0
Price Category 2	+\$539
Price Category (Geiger) 2	+\$539
Price Category 3	+\$676
Price Category (Geiger) 3	+\$676
Price Category 4	+\$823
Price Category (Geiger) 4	+\$823
Price Category 5	+\$1201
Price Category (Geiger) 5	+\$1201
Price Category (Geiger) 6	+\$1579
Price Category 7	+\$1956
Price Category (Geiger) 7	+\$1956
Price Category (Geiger) 8	+\$2996
Price Category 9	+\$3716
Price Category (Geiger) 9	+\$3719
Price Category (Geiger) 10	+\$4277
Price Category 14	+\$6283
Price Category D	+\$778
Price Category (Geiger) D	+\$802
Price Category F	+\$1168
Price Category (Geiger) F	+\$1168
Price Category G	+\$646
Price Category (Geiger) G	+\$1598
Price Category (Geiger) H	+\$1978
Price Category (Geiger) K	+\$3212
Price Category (Geiger) L	+\$3624
Price Category (Geiger) M	+\$4036
Price Category (Geiger) R	+\$8461
Price Category (Geiger) COL <input type="checkbox"/>	+\$799
Price Category (Geiger) COM <input type="checkbox"/>	+\$0

Tuxedo Component Lounge with
Table - Two Seats *continued*

For no arms (N) with not quilted (N)

Price Category (Geiger) 11	+\$3886
Price Category P	+\$1778
Price Category 1	+\$0
Price Category 2	+\$437
Price Category (Geiger) 2	+\$437
Price Category 3	+\$548
Price Category (Geiger) 3	+\$548
Price Category 4	+\$668
Price Category (Geiger) 4	+\$668
Price Category 5	+\$974
Price Category (Geiger) 5	+\$974
Price Category (Geiger) 6	+\$1280
Price Category 7	+\$1586
Price Category (Geiger) 7	+\$1586
Price Category (Geiger) 8	+\$2429
Price Category 9	+\$3014
Price Category (Geiger) 9	+\$3016
Price Category (Geiger) 10	+\$3468
Price Category 14	+\$5094
Price Category D	+\$546
Price Category (Geiger) D	+\$563
Price Category (Geiger) E	+\$790
Price Category F	+\$946
Price Category (Geiger) F	+\$946
Price Category G	+\$646
Price Category (Geiger) G	+\$1296
Price Category (Geiger) H	+\$1604
Price Category (Geiger) I	+\$1939
Price Category (Geiger) K	+\$2606
Price Category (Geiger) L	+\$2940
Price Category (Geiger) M	+\$3274
Price Category (Geiger) R	+\$6860
Price Category (Geiger) COL <input type="checkbox"/>	+\$648
Price Category (Geiger) COM <input type="checkbox"/>	+\$0

For no arms (N) with quilted (Q)

Price Category (Geiger) 11	+\$3886
Price Category 1	+\$0
Price Category 2	+\$437
Price Category (Geiger) 2	+\$437
Price Category 3	+\$548
Price Category (Geiger) 3	+\$548
Price Category 4	+\$668
Price Category (Geiger) 4	+\$668
Price Category 5	+\$974
Price Category (Geiger) 5	+\$974
Price Category (Geiger) 6	+\$1280
Price Category 7	+\$1586
Price Category (Geiger) 7	+\$1586
Price Category (Geiger) 8	+\$2429
Price Category 9	+\$3014
Price Category (Geiger) 9	+\$3016
Price Category (Geiger) 10	+\$3468
Price Category 14	+\$5094
Price Category D	+\$546
Price Category (Geiger) D	+\$563
Price Category F	+\$946
Price Category (Geiger) F	+\$946
Price Category G	+\$646
Price Category (Geiger) G	+\$1296
Price Category (Geiger) H	+\$1604
Price Category (Geiger) K	+\$2606
Price Category (Geiger) L	+\$2940
Price Category (Geiger) M	+\$3274
Price Category (Geiger) R	+\$6860
Price Category (Geiger) COL <input type="checkbox"/>	+\$648
Price Category (Geiger) COM <input type="checkbox"/>	+\$0

Step 7. Base Finish

926 black <input type="checkbox"/>	+\$0
AS arctic silver <input type="checkbox"/>	+\$0
WHT white <input type="checkbox"/>	+\$0
CHR chrome <input type="checkbox"/>	+\$0
SAC satin chrome <input type="checkbox"/>	+\$0

Step 8. Fire Retardancy

For arm 1 side (A)

NOCAL no cal-133 required <input type="checkbox"/>	+\$0
-----------------------------------------------------------	------

For corner 1 side (C)

NOCAL no cal-133 required <input type="checkbox"/>	+\$0
-----------------------------------------------------------	------

Tuxedo Component Lounge with
Table - Two Seats *continued*

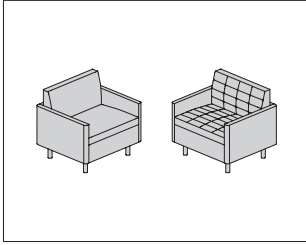
For no arms (N)

NOCAL no cal-133 required A +\$0

HermanMiller Ancillary-Lounge Seating

Tuxedo Classic Club Chair

SZ1AB



Product Information

Description

This club chair has solid wood legs with cushions made of polyfoam and DACRON®. Cushions are quilted or not quilted.

Notes

Customer's Own Material (COM)/Customer's Own Leather (COL) requires the following:

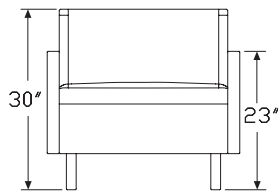
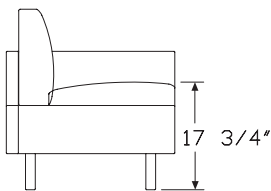
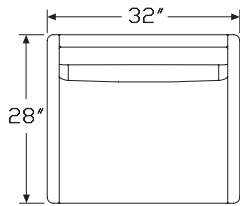
Type—COM—COL

Not quilted—6½ yards—117 square feet

Quilted—6½ yards—117 square feet

See Order Information in Appendices for more information.

Dimensions



Specification Information

Step 1.

SZ1 A

Step 2. Arms

AB arms on left and right A

Step 3. Upholstery Type

N not quilted A

Q quilted A

Prices for Steps 1-3.

SZ1AB N	\$3623
Q	\$3815

Step 4. Fabric

For not quilted (N)

Price Category (Geiger) 11	+\$3367
Price Category P	+\$3081
Price Category (Geiger) 1	+\$0
Price Category 1	+\$0
Price Category (Geiger) 2	+\$379
Price Category 2	+\$379
Price Category (Geiger) 3	+\$475
Price Category 3	+\$475
Price Category (Geiger) 4	+\$580
Price Category 4	+\$580
Price Category (Geiger) 5	+\$845
Price Category 5	+\$845
Price Category (Geiger) 6	+\$1109
Price Category (Geiger) 7	+\$1375
Price Category (Geiger) 8	+\$2106
Price Category (Geiger) 9	+\$2612
Price Category 9	+\$2612
Price Category (Geiger) 10	+\$3005
Price Category 14	+\$4415
Price Category (Geiger) D	+\$563
Price Category D	+\$546
Price Category (Geiger) E	+\$684
Price Category (Geiger) F	+\$820
Price Category F	+\$820
Price Category (Geiger) G	+\$1118
Price Category G	+\$1118
Price Category (Geiger) H	+\$1391
Price Category (Geiger) I	+\$1680
Price Category (Geiger) J	+\$1969

HermanMiller Ancillary-Lounge Seating

Tuxedo Classic Club Chair *continued*

HermanMiller Ancillary-Lounge Seating

Price Category (Geiger) K	+\$2258
Price Category (Geiger) L	+\$2548
Price Category (Geiger) M	+\$2837
Price Category (Geiger) R	+\$5946
Price Category (Geiger) COM <input type="checkbox"/>	+\$0
Price Category (Geiger) COL <input type="checkbox"/>	+\$562

For quilted (Q)

Price Category (Geiger) 11	+\$3367
Price Category (Geiger) 1	+\$0
Price Category 1	+\$0
Price Category 2	+\$379
Price Category (Geiger) 2	+\$379
Price Category 3	+\$475
Price Category (Geiger) 3	+\$475
Price Category 4	+\$580
Price Category (Geiger) 4	+\$580
Price Category 5	+\$845
Price Category (Geiger) 5	+\$845
Price Category (Geiger) 6	+\$1109
Price Category (Geiger) 7	+\$1375
Price Category (Geiger) 8	+\$2106
Price Category 9	+\$2612
Price Category (Geiger) 9	+\$2612
Price Category (Geiger) 10	+\$3005
Price Category 14	+\$4415
Price Category D	+\$546
Price Category (Geiger) D	+\$563
Price Category F	+\$820
Price Category (Geiger) F	+\$820
Price Category G	+\$1118
Price Category (Geiger) G	+\$1118
Price Category (Geiger) H	+\$1391
Price Category (Geiger) I	+\$1680
Price Category (Geiger) K	+\$2258
Price Category (Geiger) L	+\$2548
Price Category (Geiger) M	+\$2837
Price Category (Geiger) R	+\$5946
Price Category (Geiger) COL <input type="checkbox"/>	+\$562
Price Category (Geiger) COM <input type="checkbox"/>	+\$0

Step 5. Base Finish

68W	recograin walnut, flat cut, matte sheen <input type="checkbox"/>	+\$0
69W	recograin walnut, quarter cut, matte sheen <input type="checkbox"/>	+\$0
98W	recograin walnut, flat cut, low sheen <input type="checkbox"/>	+\$0
99W	recograin walnut, quarter cut, low sheen <input type="checkbox"/>	+\$0
932	sundance anigre <input type="checkbox"/>	+\$0
933	caramel anigre <input type="checkbox"/>	+\$0
934	henna anigre <input type="checkbox"/>	+\$0
940	sundance cherry on maple <input type="checkbox"/>	+\$0
962	toasted walnut, low sheen <input type="checkbox"/>	+\$0
963	charred walnut, low sheen <input type="checkbox"/>	+\$0
964	bronzed walnut, low sheen <input type="checkbox"/>	+\$0
965	smoked walnut, low sheen <input type="checkbox"/>	+\$0
966	coffee walnut, low sheen <input type="checkbox"/>	+\$0
967	smoked paldao, low sheen <input type="checkbox"/>	+\$0
969	warm paldao, low sheen <input type="checkbox"/>	+\$0
972	sundance walnut <input type="checkbox"/>	+\$0
977	chocolate ash, low sheen <input type="checkbox"/>	+\$0
98R	recograin rosewood <input type="checkbox"/>	+\$0
991	champagne ash <input type="checkbox"/>	+\$0
99A	recograin frosty ash <input type="checkbox"/>	+\$0
99R	recograin rosewood <input type="checkbox"/>	+\$0
99T	recograin teak <input type="checkbox"/>	+\$0
9A1	white ash, quarter cut, low sheen <input type="checkbox"/>	+\$0
9K1	rift oak, rift cut, low sheen <input type="checkbox"/>	+\$0
9K6	burnt oak, rift cut, low sheen <input type="checkbox"/>	+\$0
G2U	light brown walnut, low sheen <input type="checkbox"/>	+\$0
G40	dark brown walnut, low sheen <input type="checkbox"/>	+\$0
943	caramel cherry <input type="checkbox"/>	+\$0
946	cocoa cherry <input type="checkbox"/>	+\$0
956	cocoa sapele <input type="checkbox"/>	+\$0
998	ebony ash <input type="checkbox"/>	+\$0

Tuxedo Classic Club Chair *continued*

Matte Finishes

662	toasted walnut, matte sheen <input type="checkbox"/>	+\$0
663	charred walnut, matte sheen <input type="checkbox"/>	+\$0
664	bronzed walnut, matte sheen <input type="checkbox"/>	+\$0
665	smoked walnut, matte sheen <input type="checkbox"/>	+\$0
666	coffee walnut, matte sheen <input type="checkbox"/>	+\$0
667	smoked paldao, quarter cut, matte sheen <input type="checkbox"/>	+\$0
669	warm paldao, quarter cut, matte sheen <input type="checkbox"/>	+\$0
66A	recograin frosty ash <input type="checkbox"/>	+\$0
677	chocolate ash, matte sheen <input type="checkbox"/>	+\$0
68R	recograin rosewood <input type="checkbox"/>	+\$0
69A	recograin frosty ash <input type="checkbox"/>	+\$0
69R	recograin rosewood <input type="checkbox"/>	+\$0
69T	recograin teak <input type="checkbox"/>	+\$0
6K1	rift oak <input type="checkbox"/>	+\$0
ET	clear on ash <input type="checkbox"/>	+\$0
EU	oak on ash <input type="checkbox"/>	+\$0
EV	walnut on ash <input type="checkbox"/>	+\$0
GOU	natural walnut, flat cut, matte sheen <input type="checkbox"/>	+\$0
6A1	white ash <input type="checkbox"/>	+\$0
6K6	burnt oak <input type="checkbox"/>	+\$0

Step 6. Fire Retardancy

NOCAL	no cal-133 required <input type="checkbox"/>	+\$0
--------------	----------------------------------------------	------

Striad High-Back Lounge Chair,
4-Star Base

CCL100



HermanMiller Ancillary-Lounge Seating

Product Information

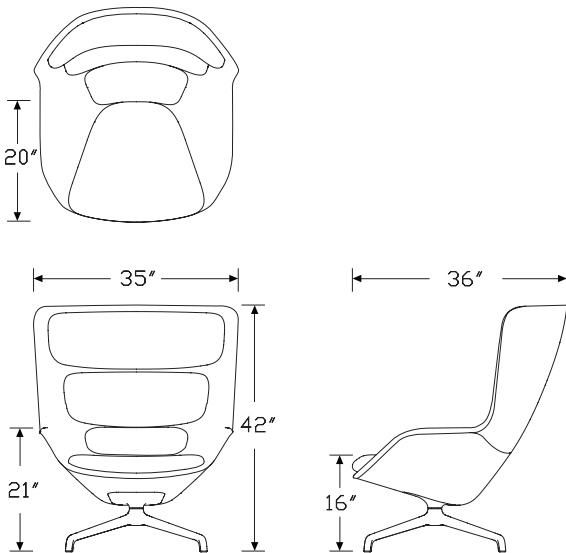
Description

This lounge chair has a high back, dual density foam cushions, and a 4-star aluminum base with a swivel-return feature. The outer shell provides rigidity and support while the inner shell provides flexibility for added movement and comfort.

Notes

Customer's Own Material (COM) requires 5 yards (2½ yards for shell, 2½ yards for cushions). Customer's Own Leather (COL) requires 90 square feet (45 sq ft for shell, 45 sq ft for cushions). See Order Information in appendices.

Dimensions



Specification Information

Step 1.

CCL100. A

Step 2. Base

S swivel, auto return A

Prices for Steps 1-2.

CCL100. S \$4882

Step 3. Base Finish

91 white (CP) A +\$0
BK black A +\$0
PA polished aluminum A +\$0

Step 4. Outer Shell Finish

91 white (CP) A +\$0
BK black A +\$0
WN warm grey neutral A +\$0

Striad High-Back Lounge Chair,
4-Star Base *continued*

Step 5. Shell Upholstery	
Price Category 1	+\$0
Price Category 2	+\$19
Price Category 3	+\$49
Price Category (Geiger) 3	+\$49
Price Category 4	+\$109
Price Category (Geiger) 4	+\$109
Price Category 5	+\$179
Price Category (Geiger) 5	+\$185
Price Category (Geiger) 6	+\$258
Price Category 7	+\$1026
Price Category (Geiger) 7	+\$343
Price Category 8	+\$451
Price Category 9	+\$546
Price Category 10	+\$674
Price Category (Geiger) 10	+\$674
Price Category 11	+\$762
Price Category (Geiger) 11	+\$786
Price Category B	+\$91
Price Category (Geiger) C	+\$156
Price Category D	+\$162
Price Category F	+\$384
Price Category G	+\$510
Price Category H	+\$631
Price Category I	+\$750
Price Category J	+\$871
Price Category K	+\$767
Price Category R	+\$1118

Step 6. Cushion Upholstery	
Price Category 1	+\$0
Price Category 2	+\$19
Price Category 3	+\$49
Price Category (Geiger) 3	+\$49
Price Category 4	+\$109
Price Category (Geiger) 4	+\$109
Price Category 5	+\$179
Price Category (Geiger) 5	+\$185
Price Category (Geiger) 6	+\$258
Price Category 7	+\$1026
Price Category (Geiger) 7	+\$343
Price Category 8	+\$451
Price Category 9	+\$546
Price Category 10	+\$674
Price Category (Geiger) 10	+\$674
Price Category 11	+\$762
Price Category (Geiger) 11	+\$786
Price Category B	+\$91
Price Category (Geiger) C	+\$115
Price Category D	+\$162
Price Category F	+\$223
Price Category G	+\$510
Price Category H	+\$631
Price Category I	+\$750
Price Category J	+\$871
Price Category K	+\$767
Price Category R	+\$1118

Step 7. Fire Retardancy	
NFR not fire retardant <input type="checkbox"/>	+\$0
FR fire retardant <input type="checkbox"/>	+\$375

Striad High-Back Lounge Chair, Wire Base CCL101
Base



HermanMiller Ancillary-Lounge Seating

Product Information

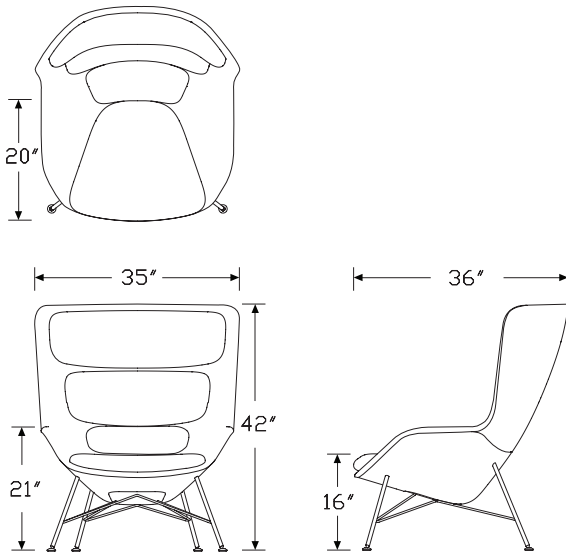
Description

This lounge chair has a high back, dual density foam cushions, and a 4-leg wire base. The outer shell provides rigidity and support while the inner shell provides flexibility for added movement and comfort.

Notes

Customer's Own Material (COM) requires 5 yards (2½ yards for shell, 2½ yards for cushions). Customer's Own Leather (COL) requires 90 square feet (45 sq ft for shell, 45 sq ft for cushions). See Order Information in appendices.

Dimensions



Specification Information

Step 1.

CCL101. [A] \$4566

Step 2. Base Finish

47 trivalent chrome [A] +\$0
91 white (CP) [A] +\$0
BK black [A] +\$0

Step 3. Outer Shell Finish

91 white (CP) [A] +\$0
BK black [A] +\$0
WN warm grey neutral [A] +\$0

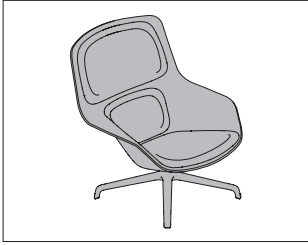
Step 4. Shell Upholstery

Price Category 1 +\$0
 Price Category 2 +\$19
 Price Category 3 +\$49
 Price Category (Geiger) 3 +\$49
 Price Category 4 +\$109
 Price Category (Geiger) 4 +\$109
 Price Category 5 +\$179
 Price Category (Geiger) 5 +\$185
 Price Category (Geiger) 6 +\$258
 Price Category 7 +\$1026
 Price Category (Geiger) 7 +\$343
 Price Category 8 +\$810
 Price Category 9 +\$546
 Price Category 10 +\$674
 Price Category (Geiger) 10 +\$674
 Price Category 11 +\$762
 Price Category (Geiger) 11 +\$786
 Price Category B +\$91
 Price Category (Geiger) C +\$156
 Price Category D +\$162
 Price Category F +\$384
 Price Category G +\$510
 Price Category H +\$631
 Price Category I +\$750
 Price Category J +\$871
 Price Category K +\$767
 Price Category R +\$1118

Striad High-Back Lounge Chair, Wire
Base *continued*

Step 5. Cushion Upholstery		
Price Category 1		+\$0
Price Category 2		+\$19
Price Category 3		+\$49
Price Category (Geiger) 3		+\$49
Price Category 4		+\$109
Price Category (Geiger) 4		+\$109
Price Category 5		+\$179
Price Category (Geiger) 5		+\$185
Price Category (Geiger) 6		+\$258
Price Category 7		+\$1026
Price Category (Geiger) 7		+\$343
Price Category 8		+\$810
Price Category 9		+\$546
Price Category 10		+\$674
Price Category (Geiger) 10		+\$674
Price Category 11		+\$762
Price Category (Geiger) 11		+\$786
Price Category B		+\$91
Price Category (Geiger) C		+\$115
Price Category D		+\$162
Price Category F		+\$223
Price Category G		+\$510
Price Category H		+\$631
Price Category I		+\$750
Price Category J		+\$871
Price Category K		+\$767
Price Category R		+\$1118
Step 6. Fire Retardancy		
NFR	not fire retardant <input type="checkbox"/> A	+\$0
FR	fire retardant <input type="checkbox"/> A	+\$375

Striad Mid-Back Lounge Chair, 4-Star CCL200 Base



HermanMiller Ancillary-Lounge Seating

Product Information

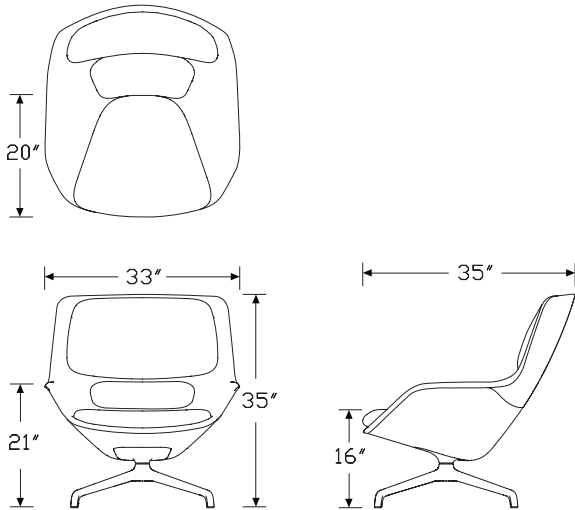
Description

This lounge chair has a mid back, dual density foam cushions, and a 4-star aluminum base with a swivel-return feature. The outer shell provides rigidity and support while the inner shell provides flexibility for added movement and comfort.

Notes

Customer's Own Material (COM) requires 3½ yards (1¾ yards for shell, 1¾ yards for cushions). Customer's Own Leather (COL) requires 63 square feet (31½ sq ft for shell, 31½ sq ft for cushions). See Order Information in appendices.

Dimensions



Specification Information

Step 1.

CCL200. [A]

Step 2. Base

S swivel, auto return [A]

Prices for Steps 1-2.

CCL200. S \$4306

Step 3. Base Finish

91	white (CP) [A]	+\$0
BK	black [A]	+\$0
PA	polished aluminum [A]	+\$0

Step 4. Outer Shell Finish

91	white (CP) [A]	+\$0
BK	black [A]	+\$0
WN	warm grey neutral [A]	+\$0

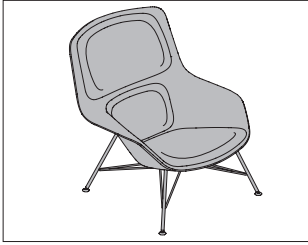
Striad Mid-Back Lounge Chair, 4-Star
Base *continued*

Step 5. Shell Upholstery	
Price Category 1	+\$0
Price Category 2	+\$13
Price Category 3	+\$34
Price Category (Geiger) 3	+\$34
Price Category 4	+\$77
Price Category (Geiger) 4	+\$77
Price Category 5	+\$122
Price Category (Geiger) 5	+\$127
Price Category (Geiger) 6	+\$178
Price Category 7	+\$719
Price Category (Geiger) 7	+\$240
Price Category 8	+\$406
Price Category 9	+\$383
Price Category 10	+\$473
Price Category (Geiger) 10	+\$473
Price Category 11	+\$534
Price Category (Geiger) 11	+\$551
Price Category B	+\$64
Price Category (Geiger) C	+\$109
Price Category D	+\$294
Price Category F	+\$269
Price Category G	+\$358
Price Category H	+\$442
Price Category I	+\$526
Price Category J	+\$610
Price Category K	+\$843
Price Category R	+\$782

Step 6. Cushion Upholstery	
Price Category 1	+\$0
Price Category 2	+\$13
Price Category 3	+\$34
Price Category (Geiger) 3	+\$34
Price Category 4	+\$77
Price Category (Geiger) 4	+\$77
Price Category 5	+\$122
Price Category (Geiger) 5	+\$127
Price Category (Geiger) 6	+\$178
Price Category 7	+\$719
Price Category (Geiger) 7	+\$240
Price Category 8	+\$568
Price Category 9	+\$383
Price Category 10	+\$473
Price Category (Geiger) 10	+\$473
Price Category 11	+\$534
Price Category (Geiger) 11	+\$551
Price Category B	+\$64
Price Category (Geiger) C	+\$100
Price Category D	+\$294
Price Category F	+\$191
Price Category G	+\$358
Price Category H	+\$442
Price Category I	+\$526
Price Category J	+\$610
Price Category K	+\$537
Price Category R	+\$782

Step 7. Fire Retardancy	
NFR not fire retardant <input type="checkbox"/>	+\$0
FR fire retardant <input type="checkbox"/>	+\$275

Striad Mid-Back Lounge Chair, Wire Base CCL201
Base



HermanMiller Ancillary-Lounge Seating

Product Information

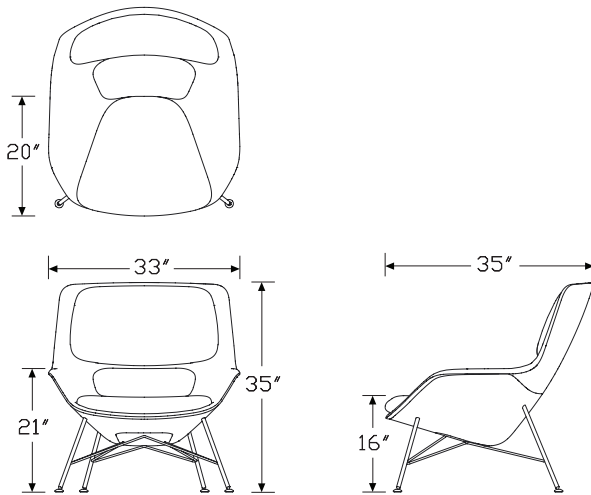
Description

This lounge chair has a mid back, dual density foam cushions, and a 4-leg wire base. The outer shell provides rigidity and support while the inner shell provides flexibility for added movement and comfort.

Notes

Customer's Own Material (COM) requires 3½ yards (1¾ yards for shell, 1¾ yards for cushions). Customer's Own Leather (COL) requires 63 square feet (31½ sq ft for shell, 31½ sq ft for cushions). See Order Information in appendices.

Dimensions



Specification Information

Step 1.

CCL201. [A] \$3992

Step 2. Base Finish

47 trivalent chrome [A] +\$0
91 white (CP) [A] +\$0
BK black [A] +\$0

Step 3. Outer Shell Finish

91 white (CP) [A] +\$0
BK black [A] +\$0
WN warm grey neutral [A] +\$0

Step 4. Shell Upholstery

Price Category 1 +\$0
 Price Category 2 +\$13
 Price Category 3 +\$34
 Price Category (Geiger) 3 +\$34
 Price Category 4 +\$77
 Price Category (Geiger) 4 +\$77
 Price Category 5 +\$122
 Price Category (Geiger) 5 +\$127
 Price Category (Geiger) 6 +\$178
 Price Category 7 +\$719
 Price Category (Geiger) 7 +\$240
 Price Category 8 +\$317
 Price Category 9 +\$383
 Price Category 10 +\$473
 Price Category (Geiger) 10 +\$473
 Price Category 11 +\$534
 Price Category (Geiger) 11 +\$551
 Price Category B +\$64
 Price Category (Geiger) C +\$109
 Price Category D +\$294
 Price Category F +\$269
 Price Category G +\$358
 Price Category H +\$442
 Price Category I +\$526
 Price Category J +\$610
 Price Category K +\$843
 Price Category R +\$782

Striad Mid-Back Lounge Chair, Wire
Base *continued*

Step 5. Cushion Upholstery		
Price Category 1		+\$0
Price Category 2		+\$13
Price Category 3		+\$34
Price Category (Geiger) 3		+\$34
Price Category 4		+\$77
Price Category (Geiger) 4		+\$77
Price Category 5		+\$122
Price Category (Geiger) 5		+\$127
Price Category (Geiger) 6		+\$178
Price Category 7		+\$719
Price Category (Geiger) 7		+\$240
Price Category 8		+\$317
Price Category 9		+\$383
Price Category 10		+\$473
Price Category (Geiger) 10		+\$473
Price Category 11		+\$534
Price Category (Geiger) 11		+\$551
Price Category B		+\$64
Price Category (Geiger) C		+\$100
Price Category D		+\$294
Price Category F		+\$191
Price Category G		+\$358
Price Category H		+\$442
Price Category I		+\$526
Price Category J		+\$610
Price Category K		+\$537
Price Category R		+\$782
Step 6. Fire Retardancy		
NFR	not fire retardant <input type="checkbox"/> A	+\$0
FR	fire retardant <input type="checkbox"/> A	+\$275

Striad Low-Back Lounge Chair, 4-Star CCL300 Base



HermanMiller Ancillary-Lounge Seating

Product Information

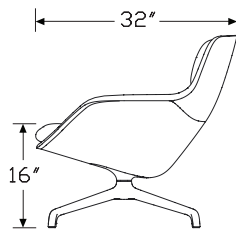
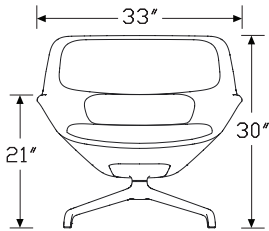
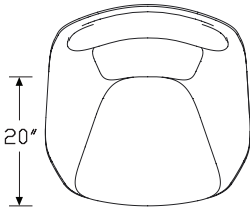
Description

This lounge chair has a low back, dual density foam cushions, and a 4-star aluminum base with a swivel-return feature. The outer shell provides rigidity and support while the inner shell provides flexibility for added movement and comfort.

Notes

Customer's Own Material (COM) requires 3½ yards (1¾ yards for shell, 1¾ yards for cushions). Customer's Own Leather (COL) requires 63 square feet (31½ sq ft for shell, 31½ sq ft for cushions). See Order Information in appendices.

Dimensions



Specification Information

Step 1.

CCL300. A

Step 2. Base

S swivel, auto return A

Prices for Steps 1-2.

CCL300. S \$4050

Step 3. Base Finish

91 white (CP) A +\$0
BK black A +\$0
PA polished aluminum A +\$0

Step 4. Outer Shell Finish

91 white (CP) A +\$0
BK black A +\$0
WN warm grey neutral A +\$0

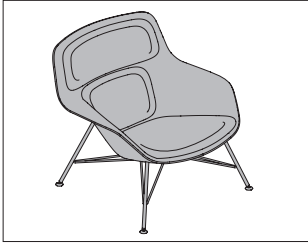
Striad Low-Back Lounge Chair, 4-Star
Base *continued*

Step 5. Shell Upholstery	
Price Category 1	+\$0
Price Category 2	+\$13
Price Category 3	+\$31
Price Category (Geiger) 3	+\$31
Price Category 4	+\$71
Price Category (Geiger) 4	+\$71
Price Category 5	+\$110
Price Category (Geiger) 5	+\$114
Price Category (Geiger) 6	+\$146
Price Category 7	+\$719
Price Category (Geiger) 7	+\$223
Price Category 8	+\$284
Price Category 9	+\$355
Price Category 10	+\$473
Price Category (Geiger) 10	+\$438
Price Category 11	+\$496
Price Category (Geiger) 11	+\$511
Price Category B	+\$60
Price Category (Geiger) C	+\$109
Price Category D	+\$294
Price Category F	+\$269
Price Category G	+\$331
Price Category H	+\$410
Price Category I	+\$526
Price Category J	+\$566
Price Category K	+\$690
Price Category R	+\$782

Step 6. Cushion Upholstery	
Price Category 1	+\$0
Price Category 2	+\$13
Price Category 3	+\$31
Price Category (Geiger) 3	+\$31
Price Category 4	+\$71
Price Category (Geiger) 4	+\$71
Price Category 5	+\$110
Price Category (Geiger) 5	+\$114
Price Category (Geiger) 6	+\$146
Price Category 7	+\$719
Price Category (Geiger) 7	+\$223
Price Category 8	+\$284
Price Category 9	+\$355
Price Category 10	+\$473
Price Category (Geiger) 10	+\$438
Price Category 11	+\$496
Price Category (Geiger) 11	+\$511
Price Category B	+\$60
Price Category (Geiger) C	+\$100
Price Category D	+\$294
Price Category F	+\$191
Price Category G	+\$331
Price Category H	+\$410
Price Category I	+\$526
Price Category J	+\$566
Price Category K	+\$537
Price Category R	+\$782

Step 7. Fire Retardancy	
NFR not fire retardant <input type="checkbox"/>	+\$0
FR fire retardant <input type="checkbox"/>	+\$250

Striad Low-Back Lounge Chair, Wire Base CCL301
Base



HermanMiller Ancillary-Lounge Seating

Product Information

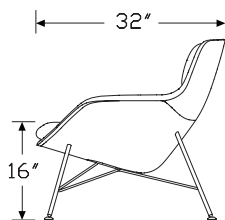
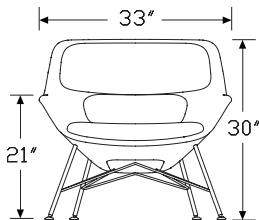
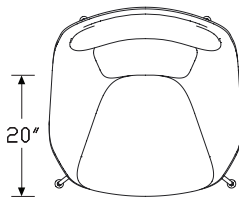
Description

This lounge chair has a low back, dual density foam cushions, and a 4-leg wire base. The outer shell provides rigidity and support while the inner shell provides flexibility for added movement and comfort.

Notes

Customer's Own Material (COM) requires 3½ yards (1¾ yards for shell, 1¾ yards for cushions). Customer's Own Leather (COL) requires 63 square feet (31½ sq ft for shell, 31½ sq ft for cushions). See Order Information in appendices.

Dimensions



Specification Information

Step 1.

CCL301. [A] \$3731

Step 2. Base Finish

47 trivalent chrome [A] +\$0
91 white (CP) [A] +\$0
BK black [A] +\$0

Step 3. Outer Shell Finish

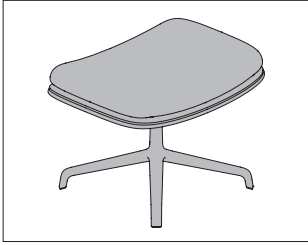
91 white (CP) [A] +\$0
BK black [A] +\$0
WN warm grey neutral [A] +\$0

Step 4. Shell Upholstery

Price Category 1 +\$0
 Price Category 2 +\$13
 Price Category 3 +\$31
 Price Category (Geiger) 3 +\$31
 Price Category 4 +\$71
 Price Category (Geiger) 4 +\$71
 Price Category 5 +\$110
 Price Category (Geiger) 5 +\$114
 Price Category (Geiger) 6 +\$146
 Price Category 7 +\$719
 Price Category (Geiger) 7 +\$223
 Price Category 8 +\$284
 Price Category 9 +\$355
 Price Category 10 +\$473
 Price Category (Geiger) 10 +\$438
 Price Category 11 +\$496
 Price Category (Geiger) 11 +\$511
 Price Category B +\$60
 Price Category (Geiger) C +\$109
 Price Category D +\$294
 Price Category F +\$269
 Price Category G +\$331
 Price Category H +\$410
 Price Category I +\$526
 Price Category J +\$566
 Price Category K +\$690
 Price Category R +\$782

Striad Low-Back Lounge Chair, Wire
Base *continued*

Step 5. Cushion Upholstery		
Price Category 1		+\$0
Price Category 2		+\$13
Price Category 3		+\$31
Price Category (Geiger) 3		+\$31
Price Category 4		+\$71
Price Category (Geiger) 4		+\$71
Price Category 5		+\$110
Price Category (Geiger) 5		+\$114
Price Category (Geiger) 6		+\$146
Price Category 7		+\$719
Price Category (Geiger) 7		+\$223
Price Category 8		+\$284
Price Category 9		+\$355
Price Category 10		+\$473
Price Category (Geiger) 10		+\$438
Price Category 11		+\$496
Price Category (Geiger) 11		+\$511
Price Category B		+\$60
Price Category (Geiger) C		+\$100
Price Category D		+\$294
Price Category F		+\$191
Price Category G		+\$331
Price Category H		+\$410
Price Category I		+\$526
Price Category J		+\$566
Price Category K		+\$537
Price Category R		+\$782
Step 6. Fire Retardancy		
NFR	not fire retardant <input type="checkbox"/> A	+\$0
FR	fire retardant <input type="checkbox"/> A	+\$250



Product Information

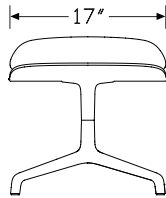
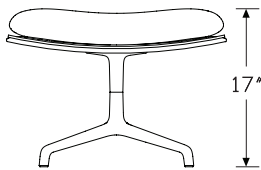
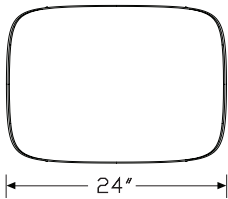
Description

This ottoman has a 4-star fixed aluminum base.

Notes

Customer's Own Material (COM) requires 2 yards (1 yard for shell, 1 yard for cushion). Customer's Own Leather (COL) requires 36 square feet (18 sq ft for shell, 18 sq ft for cushions). See Order Information in appendices.

Dimensions



Specification Information

Step 1.

CCL400. [A] \$1584

Step 2. Base Finish

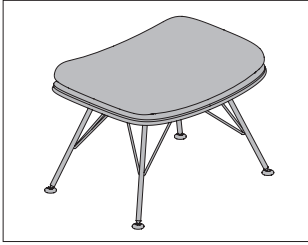
91 white (CP) [A] +\$0
BK black [A] +\$0
PA polished aluminum [A] +\$0

Step 3. Shell Upholstery

Price Category 1 +\$0
 Price Category 2 +\$8
 Price Category 3 +\$20
 Price Category (Geiger) 3 +\$20
 Price Category 4 +\$44
 Price Category (Geiger) 4 +\$44
 Price Category 5 +\$68
 Price Category (Geiger) 5 +\$71
 Price Category (Geiger) 6 +\$90
 Price Category 7 +\$410
 Price Category (Geiger) 7 +\$138
 Price Category 8 +\$82
 Price Category 9 +\$218
 Price Category 10 +\$270
 Price Category (Geiger) 10 +\$270
 Price Category 11 +\$305
 Price Category (Geiger) 11 +\$314
 Price Category B +\$37
 Price Category (Geiger) C +\$38
 Price Category D +\$168
 Price Category F +\$154
 Price Category G +\$204
 Price Category H +\$253
 Price Category I +\$300
 Price Category J +\$349
 Price Category K +\$153
 Price Category R +\$448

Step 4. Cushion Upholstery		
Price Category 1		+\$0
Price Category 2		+\$8
Price Category 3		+\$20
Price Category (Geiger) 3		+\$20
Price Category 4		+\$44
Price Category (Geiger) 4		+\$44
Price Category 5		+\$68
Price Category (Geiger) 5		+\$71
Price Category (Geiger) 6		+\$90
Price Category 7		+\$410
Price Category (Geiger) 7		+\$138
Price Category 8		+\$82
Price Category 9		+\$218
Price Category 10		+\$270
Price Category (Geiger) 10		+\$270
Price Category 11		+\$305
Price Category (Geiger) 11		+\$314
Price Category B		+\$37
Price Category (Geiger) C		+\$38
Price Category D		+\$168
Price Category F		+\$160
Price Category G		+\$204
Price Category H		+\$253
Price Category I		+\$300
Price Category J		+\$349
Price Category K		+\$245
Price Category R		+\$448

Step 5. Fire Retardancy		
NFR	not fire retardant <input type="checkbox"/> A	+\$0
FR	fire retardant <input type="checkbox"/> A	+\$150



Product Information

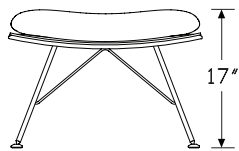
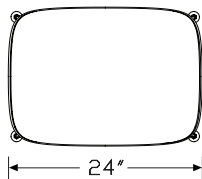
Description

This ottoman has a 4-leg wire base.

Notes

Customer's Own Material (COM) requires 2 yards (1 yard for shell, 1 yard for cushion). Customer's Own Leather (COL) requires 36 square feet (18 sq ft for shell, 18 sq ft for cushions). See Order Information in appendices.

Dimensions



Specification Information

Step 1.

CCL401. [A] \$1565

Step 2. Base Finish

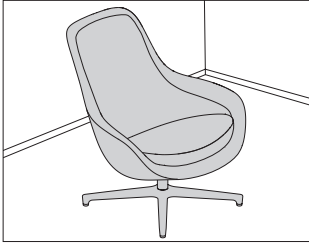
47 trivalent chrome [A] +\$0
91 white (CP) [A] +\$0
BK black [A] +\$0

Step 3. Shell Upholstery

Price Category 1 +\$0
 Price Category 2 +\$8
 Price Category 3 +\$20
 Price Category (Geiger) 3 +\$20
 Price Category 4 +\$44
 Price Category (Geiger) 4 +\$44
 Price Category 5 +\$68
 Price Category (Geiger) 5 +\$71
 Price Category (Geiger) 6 +\$90
 Price Category 7 +\$410
 Price Category (Geiger) 7 +\$138
 Price Category 8 +\$181
 Price Category 9 +\$218
 Price Category 10 +\$270
 Price Category (Geiger) 10 +\$270
 Price Category 11 +\$305
 Price Category (Geiger) 11 +\$314
 Price Category B +\$37
 Price Category (Geiger) C +\$38
 Price Category D +\$168
 Price Category F +\$154
 Price Category G +\$204
 Price Category H +\$253
 Price Category I +\$300
 Price Category J +\$349
 Price Category K +\$153
 Price Category R +\$448

Striad Ottoman, Wire Base *continued*

Step 4. Cushion Upholstery		
Price Category 1		+\$0
Price Category 2		+\$8
Price Category 3		+\$20
Price Category (Geiger) 3		+\$20
Price Category 4		+\$44
Price Category (Geiger) 4		+\$44
Price Category 5		+\$68
Price Category (Geiger) 5		+\$71
Price Category (Geiger) 6		+\$90
Price Category 7		+\$410
Price Category (Geiger) 7		+\$138
Price Category 8		+\$181
Price Category 9		+\$218
Price Category 10		+\$270
Price Category (Geiger) 10		+\$270
Price Category 11		+\$305
Price Category (Geiger) 11		+\$314
Price Category B		+\$37
Price Category (Geiger) C		+\$38
Price Category D		+\$168
Price Category G		+\$204
Price Category H		+\$253
Price Category I		+\$300
Price Category J		+\$349
Price Category K		+\$245
Price Category R		+\$448
Step 5. Fire Retardancy		
NFR	not fire retardant <input type="checkbox"/> A	+\$0
FR	fire retardant <input type="checkbox"/> A	+\$150



HermanMiller Ancillary-Lounge Seating

Product Information

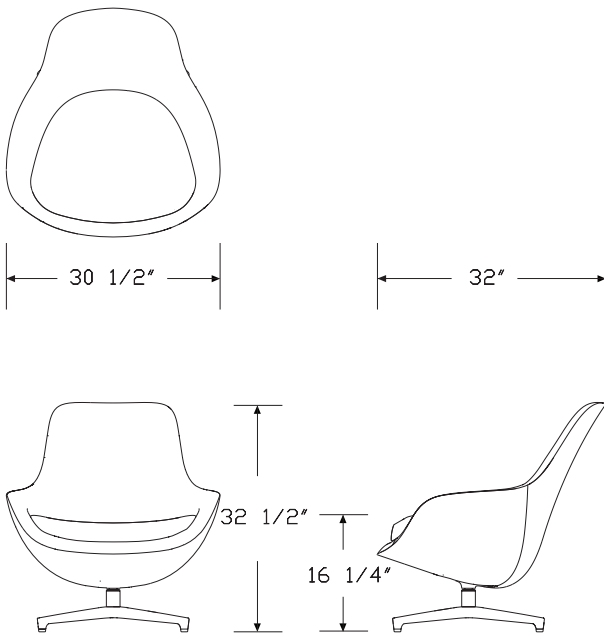
Description

This high back chair has a 4-star base with glides. Seat frame is rigid urethane with polyurethane foam. Cushion is high density foam.

Notes

Customer's Own Material (COM) requires 3 1/2 yards. Customer's Own Leather (COL) requires 63 square feet. See Order Information in Appendices.

Dimensions



Specification Information

Step 1.

SBN5 A

Step 2. Back Height

H high back A

Prices for Steps 1-2.

SBN5H \$3815

Step 3. Upholstery

Price Category 1	+\$0
Price Category (Geiger) 1	+\$144
Price Category 2	+\$206
Price Category (Geiger) 2	+\$206
Price Category 3	+\$257
Price Category (Geiger) 3	+\$257
Price Category 4	+\$312
Price Category (Geiger) 4	+\$312
Price Category 5	+\$456
Price Category (Geiger) 5	+\$456
Price Category (Geiger) 7	+\$740
Price Category (Geiger) 8	+\$892
Price Category 9	+\$1408
Price Category (Geiger) 9	+\$1408
Price Category (Geiger) 10	+\$1619
Price Category (Geiger) 11	+\$1814
Price Category (Geiger) C	+\$182
Price Category F	+\$350
Price Category G	+\$605
Price Category (Geiger) G	+\$605
Price Category (Geiger) H	+\$750
Price Category (Geiger) R	+\$3205
Price Category (Geiger) COL <input type="checkbox"/> A	+\$227
Price Category (Geiger) COM <input type="checkbox"/> A	+\$0

Step 4. Base Finish

BK black <input type="checkbox"/> A	+\$0
CD polished aluminum <input type="checkbox"/> A	+\$0

Step 5. Fire Retardancy

NOCAL no cal-133 required A \$+0



Product Information

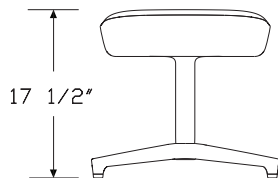
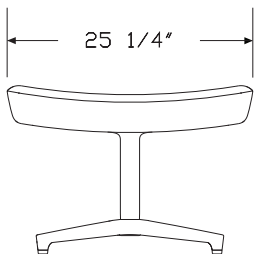
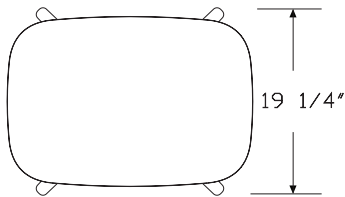
Description

This ottoman has upholstered high density foam and a 4-star base with glides.

Notes

Customer's Own Material (COM) requires 1 yard. Customer's Own Leather (COL) requires 18 square feet. See Order Information in Appendices.

Dimensions



Specification Information

Step 1.

SBN6 A \$1523

Step 2. Upholstery

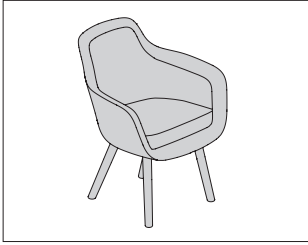
Price Category 1	+\$0
Price Category (Geiger) 1	+\$0
Price Category 2	+\$59
Price Category (Geiger) 2	+\$59
Price Category 3	+\$73
Price Category (Geiger) 3	+\$73
Price Category 4	+\$90
Price Category (Geiger) 4	+\$90
Price Category 5	+\$131
Price Category (Geiger) 5	+\$131
Price Category (Geiger) 7	+\$212
Price Category (Geiger) 8	+\$324
Price Category 9	+\$402
Price Category (Geiger) 9	+\$402
Price Category (Geiger) 10	+\$463
Price Category (Geiger) 11	+\$518
Price Category (Geiger) C	+\$66
Price Category F	+\$127
Price Category G	+\$173
Price Category (Geiger) G	+\$173
Price Category (Geiger) H	+\$215
Price Category (Geiger) R	+\$916
Price Category (Geiger) COL <input type="checkbox"/> A	+\$86
Price Category (Geiger) COM <input type="checkbox"/> A	+\$0

Step 3. Base Finish

BK black <input type="checkbox"/> A	+\$0
CD polished aluminum <input type="checkbox"/> A	+\$0

Step 4. Fire Retardancy

NOCAL no cal-133 required A \$0



HermanMiller Ancillary-Lounge Seating

Product Information

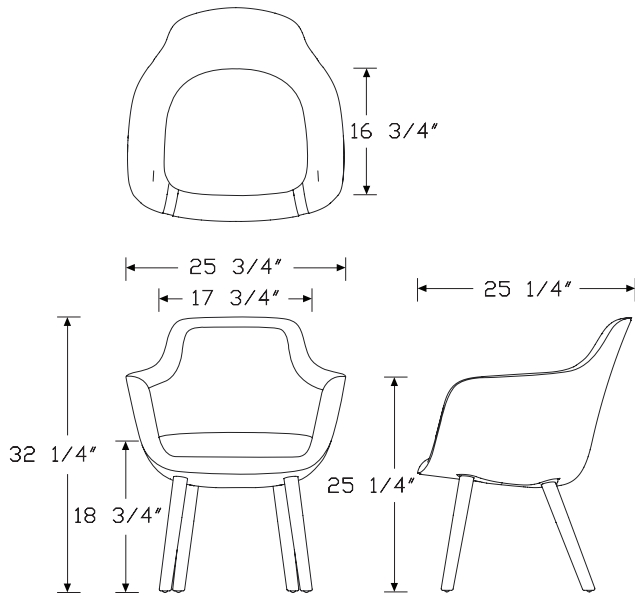
Description

This guest chair has a solid wood base available in ash or walnut. Seat frame is rigid urethane with polyurethane foam. Cushion is high density foam.

Notes

Customer's Own Material (COM) requires 2¾ yards. Customer's Own Leather (COL) requires 49½ square feet. See Order Information in Appendices.

Dimensions



Specification Information

Step 1.

SBN7 A

Step 2. Back Height

M mid back A

Step 3. Frame

A ash A

W walnut A

Prices for Steps 1-3.

SBN7M	A	\$2437
	W	\$2437

Step 4. Upholstery

Price Category 1	+\$0
Price Category (Geiger) 1	+\$0
Price Category 2	+\$161
Price Category (Geiger) 2	+\$161
Price Category 3	+\$200
Price Category (Geiger) 3	+\$200
Price Category 4	+\$245
Price Category (Geiger) 4	+\$245
Price Category 5	+\$358
Price Category (Geiger) 5	+\$358
Price Category (Geiger) 7	+\$582
Price Category (Geiger) 8	+\$892
Price Category 9	+\$1105
Price Category (Geiger) 9	+\$1105
Price Category (Geiger) 10	+\$1272
Price Category (Geiger) 11	+\$1424
Price Category (Geiger) C	+\$182
Price Category F	+\$350
Price Category G	+\$475
Price Category (Geiger) G	+\$475
Price Category (Geiger) H	+\$589
Price Category (Geiger) R	+\$2519
Price Category (Geiger) COL	<input type="checkbox"/> A \$179
Price Category (Geiger) COM	<input type="checkbox"/> A \$0

Step 5. Wood Finish

Low Sheen Finishes (on Ash)

For ash (A)

967	smoked paldao, low sheen <input type="checkbox"/> A	+\$0
969	warm paldao, low sheen <input type="checkbox"/> A	+\$0

Low Sheen Finishes (on Ash)

For ash (A)

G2U	light brown walnut, low sheen <input type="checkbox"/>	+\$0
G40	dark brown walnut, low sheen <input type="checkbox"/>	+\$0
940	sundance cherry on maple <input type="checkbox"/>	+\$0
943	caramel cherry <input type="checkbox"/>	+\$0
946	cocoa cherry <input type="checkbox"/>	+\$0
956	cocoa sapele <input type="checkbox"/>	+\$0
962	toasted walnut, low sheen <input type="checkbox"/>	+\$0
963	charred walnut, low sheen <input type="checkbox"/>	+\$0
964	bronzed walnut, low sheen <input type="checkbox"/>	+\$0
965	smoked walnut, low sheen <input type="checkbox"/>	+\$0
966	coffee walnut, low sheen <input type="checkbox"/>	+\$0
977	chocolate ash, low sheen <input type="checkbox"/>	+\$0
98R	recograin rosewood <input type="checkbox"/>	+\$0
991	champagne ash <input type="checkbox"/>	+\$0
998	ebony ash <input type="checkbox"/>	+\$0
99A	recograin frosty ash <input type="checkbox"/>	+\$0
99R	recograin rosewood <input type="checkbox"/>	+\$0
99T	recograin teak <input type="checkbox"/>	+\$0
9A1	white ash, quarter cut, low sheen <input type="checkbox"/>	+\$0
9K1	rift oak, rift cut, low sheen <input type="checkbox"/>	+\$0
9K6	burnt oak, rift cut, low sheen <input type="checkbox"/>	+\$0

Matte Sheen Finishes (on Ash)

For ash (A)

66A	recograin frosty ash <input type="checkbox"/>	+\$0
677	chocolate ash, matte sheen <input type="checkbox"/>	+\$0
68R	recograin rosewood <input type="checkbox"/>	+\$0
69A	recograin frosty ash <input type="checkbox"/>	+\$0
69R	recograin rosewood <input type="checkbox"/>	+\$0
69T	recograin teak <input type="checkbox"/>	+\$0
6A1	white ash <input type="checkbox"/>	+\$0
6K1	rift oak <input type="checkbox"/>	+\$0
6K6	burnt oak <input type="checkbox"/>	+\$0
ET	clear on ash <input type="checkbox"/>	+\$0
EU	oak on ash <input type="checkbox"/>	+\$0
EV	walnut on ash <input type="checkbox"/>	+\$0
GOU	natural walnut, flat cut, matte sheen <input type="checkbox"/>	+\$0

Matte Sheen Finishes (on Ash)

For ash (A)

68W	recograin walnut, flat cut, matte sheen <input type="checkbox"/>	+\$0
69W	recograin walnut, quarter cut, matte sheen <input type="checkbox"/>	+\$0

Low Sheen Finishes (on Ash)

For ash (A)

98W	recograin walnut, flat cut, low sheen <input type="checkbox"/>	+\$0
99W	recograin walnut, quarter cut, low sheen <input type="checkbox"/>	+\$0

Low Sheen Finishes (on Walnut)

For walnut (W)

967	smoked paldao, low sheen <input type="checkbox"/>	+\$0
969	warm paldao, low sheen <input type="checkbox"/>	+\$0

Low Sheen Finishes (on Walnut)

For walnut (W)

G2U	light brown walnut, low sheen <input type="checkbox"/>	+\$0
G40	dark brown walnut, low sheen <input type="checkbox"/>	+\$0
962	toasted walnut, low sheen <input type="checkbox"/>	+\$0
963	charred walnut, low sheen <input type="checkbox"/>	+\$0
964	bronzed walnut, low sheen <input type="checkbox"/>	+\$0
965	smoked walnut, low sheen <input type="checkbox"/>	+\$0
966	coffee walnut, low sheen <input type="checkbox"/>	+\$0
972	sundance walnut <input type="checkbox"/>	+\$0
98R	recograin rosewood <input type="checkbox"/>	+\$0
99R	recograin rosewood <input type="checkbox"/>	+\$0

Matte Sheen Finishes (on Walnut)

For walnut (W)

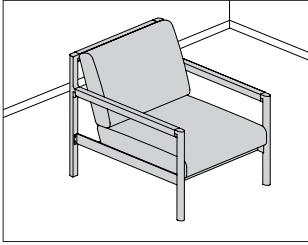
68R	recograin rosewood <input type="checkbox"/>	+\$0
69R	recograin rosewood <input type="checkbox"/>	+\$0
662	toasted walnut, matte sheen <input type="checkbox"/>	+\$0
663	charred walnut, matte sheen <input type="checkbox"/>	+\$0
664	bronzed walnut, matte sheen <input type="checkbox"/>	+\$0
665	smoked walnut, matte sheen <input type="checkbox"/>	+\$0
666	coffee walnut, matte sheen <input type="checkbox"/>	+\$0
667	smoked paldao, quarter cut, matte sheen <input type="checkbox"/>	+\$0
669	warm paldao, quarter cut, matte sheen <input type="checkbox"/>	+\$0
EV	walnut on ash, matte sheen <input type="checkbox"/>	+\$0
GOU	natural walnut, flat cut, matte sheen <input type="checkbox"/>	+\$0

Step 6. Fire Retardancy

NOCAL	no cal-133 required <input type="checkbox"/>	+\$0
--------------	----------------------------------------------	------

Brabo Lounge Chair

SVV4A
SVV4W



HermanMiller Ancillary-Lounge Seating

Product Information

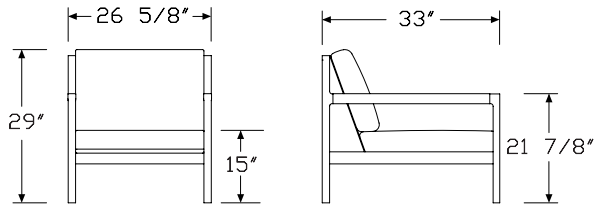
Description

This lounge chair has a solid ash or solid walnut frame with steel-plated metal, leather sling and arm wrap, and upholstered foam cushions.

Notes

Customers Own Material (COM) requires 2 yards for the back and seat cushions. Customers Own Leather (COL) requires 36 square feet for the back and seat cushions, and an additional 27 square feet for the sling and arm wrap. See Order Information in Appendices.

Dimensions



Specification Information

Step 1.

SVV4 A

Step 2. Frame Finish

A ash A

W walnut A

Prices for Steps 1-2.

SVV4A \$3815

SVV4W \$4571

Step 3. Wood Finish

Premium Veneer - Low Sheen

For ash (A)

940	sundance cherry on maple	<input type="checkbox"/> A	+\$0
943	caramel cherry	<input type="checkbox"/> A	+\$0
946	cocoa cherry	<input type="checkbox"/> A	+\$0
956	cocoa sapele	<input type="checkbox"/> A	+\$0
962	toasted walnut, low sheen	<input type="checkbox"/> A	+\$0
963	charred walnut, low sheen	<input type="checkbox"/> A	+\$0
964	bronzed walnut, low sheen	<input type="checkbox"/> A	+\$0
965	smoked walnut, low sheen	<input type="checkbox"/> A	+\$0
966	coffee walnut, low sheen	<input type="checkbox"/> A	+\$0
977	chocolate ash, low sheen	<input type="checkbox"/> A	+\$0
98R	recograin rosewood	<input type="checkbox"/> A	+\$0
991	champagne ash	<input type="checkbox"/> A	+\$0
998	ebony ash	<input type="checkbox"/> A	+\$0
99A	recograin frosty ash	<input type="checkbox"/> A	+\$0
99R	recograin rosewood	<input type="checkbox"/> A	+\$0
99T	recograin teak	<input type="checkbox"/> A	+\$0
9A1	white ash, quarter cut, low sheen	<input type="checkbox"/> A	+\$0
9K1	rift oak, rift cut, low sheen	<input type="checkbox"/> A	+\$0
9K6	burnt oak, rift cut, low sheen	<input type="checkbox"/> A	+\$0
G2U	light brown walnut, low sheen	<input type="checkbox"/> A	+\$0
G40	dark brown walnut, low sheen	<input type="checkbox"/> A	+\$0

Brabo Lounge Chair *continued*

Premium Veneer - Matte

For ash (A)

66A	recograin frosty ash [A]	+\$0
677	chocolate ash, matte sheen [A]	+\$0
68R	recograin rosewood [A]	+\$0
69A	recograin frosty ash [A]	+\$0
69R	recograin rosewood [A]	+\$0
69T	recograin teak [A]	+\$0
6A1	white ash [A]	+\$0
6K1	rift oak [A]	+\$0
6K6	burnt oak [A]	+\$0
ET	clear on ash [A]	+\$0
EU	oak on ash [A]	+\$0
EV	walnut on ash [A]	+\$0
GOU	natural walnut, flat cut, matte sheen [A]	+\$0

Anigre Veneer - Low Sheen

For ash (A)

967	smoked paldao, low sheen [A]	+\$0
969	warm paldao, low sheen [A]	+\$0

RecoGrain Veneer

For ash (A)

68W	recograin walnut, flat cut, matte sheen [A]	+\$0
69W	recograin walnut, quarter cut, matte sheen [A]	+\$0

Recon Veneer -

For ash (A)

98W	recograin walnut, flat cut, low sheen [A]	+\$0
99W	recograin walnut, quarter cut, low sheen [A]	+\$0

Premium Veneer - Low Sheen

For walnut (W)

962	toasted walnut, low sheen [A]	+\$0
963	charred walnut, low sheen [A]	+\$0
964	bronzed walnut, low sheen [A]	+\$0
965	smoked walnut, low sheen [A]	+\$0
966	coffee walnut, low sheen [A]	+\$0
972	sundance walnut [A]	+\$0
98R	recograin rosewood [A]	+\$0
99R	recograin rosewood [A]	+\$0
G2U	light brown walnut, low sheen [A]	+\$0
G40	dark brown walnut, low sheen [A]	+\$0

Premium Veneer - Matte

For walnut (W)

662	toasted walnut, matte sheen [A]	+\$0
663	charred walnut, matte sheen [A]	+\$0
664	bronzed walnut, matte sheen [A]	+\$0
665	smoked walnut, matte sheen [A]	+\$0
666	coffee walnut, matte sheen [A]	+\$0
669	warm paldao, quarter cut, matte sheen [A]	+\$0
68R	recograin rosewood [A]	+\$0
69R	recograin rosewood [A]	+\$0
GOU	natural walnut, flat cut, matte sheen [A]	+\$0

Anigre Veneer - Low Sheen

For walnut (W)

967	smoked paldao, low sheen [A]	+\$0
969	warm paldao, low sheen [A]	+\$0

Step 4. Seat/Back Fabric

Price Category (Geiger) 1	+\$0
Price Category 1	+\$0
Price Category 2	+\$116
Price Category (Geiger) 2	+\$116
Price Category 3	+\$146
Price Category (Geiger) 3	+\$146
Price Category 4	+\$179
Price Category (Geiger) 4	+\$179
Price Category 5	+\$260
Price Category (Geiger) 5	+\$260
Price Category (Geiger) 6	+\$342
Price Category (Geiger) 7	+\$424
Price Category (Geiger) 8	+\$648
Price Category 9	+\$804
Price Category (Geiger) 9	+\$804
Price Category (Geiger) 10	+\$925
Price Category 11	+\$1037
Price Category (Geiger) 11	+\$1037
Price Category (Geiger) 14	+\$1358
Price Category (Geiger) C	+\$130
Price Category D	+\$175
Price Category (Geiger) D	+\$174
Price Category (Geiger) E	+\$211
Price Category F	+\$254
Price Category (Geiger) F	+\$253
Price Category G	+\$344
Price Category (Geiger) G	+\$344
Price Category (Geiger) H	+\$428
Price Category (Geiger) I	+\$517

HermanMiller Ancillary-Lounge Seating

Brabo Lounge Chair *continued*

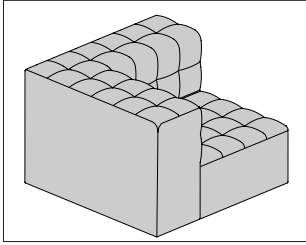
HermanMiller Ancillary-Lounge Seating

Price Category (Geiger) J	+\$606
Price Category (Geiger) K	+\$695
Price Category (Geiger) L	+\$785
Price Category (Geiger) M	+\$874
Price Category (Geiger) N	+\$962
Price Category (Geiger) O	+\$1051
Price Category (Geiger) P	+\$1138
Price Category (Geiger) Q	+\$1313
Price Category (Geiger) R	+\$1830
Price Category (Geiger) S	+\$1966
Price Category (Geiger) T	+\$2101
Price Category (Geiger) U	+\$2238
Price Category (Geiger) X	+\$2646
Price Category (Geiger) Y	+\$2782
Price Category (Geiger) Z	+\$2918
Price Category (Geiger) COL <input type="checkbox"/>	+\$130
Price Category (Geiger) COM <input type="checkbox"/>	+\$0

Step 5. Sling/Arm Leather	
Price Category (Geiger) 10	+\$925
Price Category 11	+\$778
Price Category (Geiger) 11	+\$778

Step 6. Base Finish	
CHR chrome <input type="checkbox"/>	+\$0
SAC satin chrome <input type="checkbox"/>	+\$0

Step 7. Fire Retardancy	
NOCAL no cal-133 required <input type="checkbox"/>	+\$0

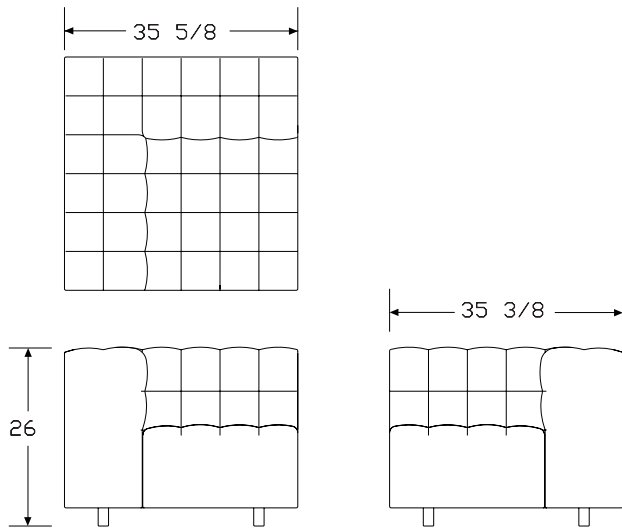


Product Information

Description

This corner unit is foam and Dacron® with solid ash or walnut legs.
 Customer's Own Material (COM) requires 5 yards. Customer's Own Leather (COL) requires 110 square feet. See Order Information in appendices.

Dimensions



Specification Information

Step 1.

SK1 **A** \$4360

Step 2. Upholstery

Price Category 7	+\$1062
Price Category 8	+\$1620
Price Category 1	+\$0
Price Category 2	+\$294
Price Category 3	+\$366
Price Category (Geiger) 3	+\$366
Price Category 4	+\$450
Price Category (Geiger) 4	+\$450
Price Category 5	+\$654
Price Category (Geiger) 5	+\$654
Price Category (Geiger) 7	+\$1062
Price Category (Geiger) 8	+\$1620
Price Category 10	+\$2316
Price Category (Geiger) 10	+\$2316
Price Category 9	+\$2010
Price Category 11	+\$2592
Price Category 14	+\$3396
Price Category C	+\$330
Price Category D	+\$438
Price Category E	+\$528
Price Category F	+\$636
Price Category G	+\$864
Price Category H	+\$1074
Price Category J	+\$1518
Price Category I	+\$1296
Price Category K	+\$1740
Price Category L	+\$1962
Price Category M	+\$2184
Price Category N	+\$2406
Price Category P	+\$2844
Price Category (Geiger) COL <input type="checkbox"/> A	+\$432
Price Category (Geiger) COM <input type="checkbox"/> A	+\$0

Step 3. Wood Finish

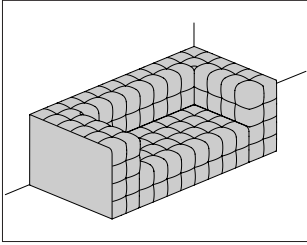
967	smoked paldao, low sheen <input type="checkbox"/> A	+\$0
969	warm paldao, low sheen <input type="checkbox"/> A	+\$0
G2U	light brown walnut, low sheen <input type="checkbox"/> A	+\$0
G40	dark brown walnut, low sheen <input type="checkbox"/> A	+\$0
940	sundance cherry on maple <input type="checkbox"/> A	+\$0
943	caramel cherry <input type="checkbox"/> A	+\$0
946	cocoa cherry <input type="checkbox"/> A	+\$0
956	cocoa sapele <input type="checkbox"/> A	+\$0

962	toasted walnut, low sheen	A	+\$0
963	charred walnut, low sheen	A	+\$0
964	bronzed walnut, low sheen	A	+\$0
965	smoked walnut, low sheen	A	+\$0
966	coffee walnut, low sheen	A	+\$0
977	chocolate ash, low sheen	A	+\$0
98R	recograin rosewood	A	+\$0
991	champagne ash	A	+\$0
998	ebony ash	A	+\$0
99A	recograin frosty ash	A	+\$0
99R	recograin rosewood	A	+\$0
99T	recograin teak	A	+\$0
9A1	white ash, quarter cut, low sheen	A	+\$0
9K1	rift oak, rift cut, low sheen	A	+\$0
9K6	burnt oak, rift cut, low sheen	A	+\$0
66A	recograin frosty ash	A	+\$0
677	chocolate ash, matte sheen	A	+\$0
68R	recograin rosewood	A	+\$0
69A	recograin frosty ash	A	+\$0
69R	recograin rosewood	A	+\$0
69T	recograin teak	A	+\$0
6A1	white ash	A	+\$0
6K1	rift oak	A	+\$0
6K6	burnt oak	A	+\$0
ET	clear on ash	A	+\$0
EU	oak on ash	A	+\$0
EV	walnut on ash	A	+\$0
GOU	natural walnut, flat cut, matte sheen	A	+\$0
68W	recograin walnut, flat cut, matte sheen	A	+\$0
69W	recograin walnut, quarter cut, matte sheen	A	+\$0
98W	recograin walnut, flat cut, low sheen	A	+\$0
99W	recograin walnut, quarter cut, low sheen	A	+\$0

Step 4. Fire Retardancy			
NOCAL	no cal-133 required	A	+\$0

Rapport Settee

SK2A
SK2CL
SK2CR
SK2N

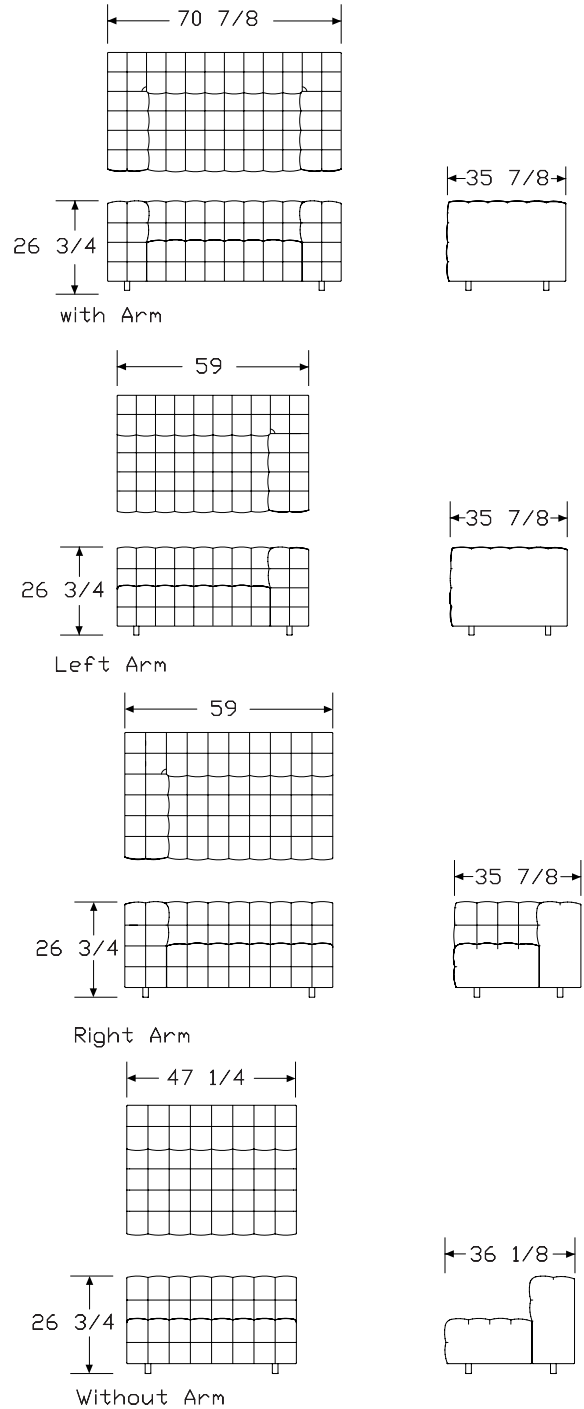


Product Information

Description

This settee is foam and Dacron® with solid ash or walnut legs.
Customer's Own Material (COM) requires 5¼ yards for the armless unit, 7½ yards for the 1-arm unit, and 9½ yards for the arm unit. Customer's Own Leather (COL) requires 115½ square feet for the armless unit, 165 square feet for the 1-arm unit, and 209 square feet for the arm unit. See Order Information in appendices.

Dimensions



Specification Information

Step 1.

SK2 A

Step 2. Arms

A arms A

CL corner left, arm right A

CR corner right, arm left A

N armless A

Prices for Steps 1-2.

SK2A	\$7156
SK2CL	\$7088
SK2CR	\$7088
SK2N	\$6268

Step 3. Upholstery

Price Category 7	+\$2018
Price Category 8	+\$3078
Price Category 1	+\$0
Price Category 2	+\$559
Price Category 3	+\$696
Price Category (Geiger) 3	+\$696
Price Category 4	+\$856
Price Category (Geiger) 4	+\$856
Price Category 5	+\$1243
Price Category (Geiger) 5	+\$1243
Price Category (Geiger) 7	+\$2018
Price Category (Geiger) 8	+\$3078
Price Category 10	+\$4400
Price Category (Geiger) 10	+\$4400
Price Category 9	+\$3820
Price Category 11	+\$4925
Price Category 14	+\$6452
Price Category C	+\$628
Price Category D	+\$833
Price Category E	+\$1003
Price Category F	+\$1208
Price Category G	+\$1642
Price Category H	+\$2041
Price Category J	+\$2885
Price Category I	+\$2462
Price Category K	+\$3306
Price Category L	+\$3728
Price Category M	+\$4150
Price Category N	+\$4572
Price Category P	+\$5404
Price Category (Geiger) COL <input type="checkbox"/> A	+\$821
Price Category (Geiger) COM <input type="checkbox"/> A	+\$0

Step 4. Wood Finish

967 smoked paldao, low sheen <input type="checkbox"/> A	+\$0
969 warm paldao, low sheen <input type="checkbox"/> A	+\$0
G2U light brown walnut, low sheen <input type="checkbox"/> A	+\$0
G40 dark brown walnut, low sheen <input type="checkbox"/> A	+\$0
940 sundance cherry on maple <input type="checkbox"/> A	+\$0
943 caramel cherry <input type="checkbox"/> A	+\$0
946 cocoa cherry <input type="checkbox"/> A	+\$0
956 cocoa sapele <input type="checkbox"/> A	+\$0
962 toasted walnut, low sheen <input type="checkbox"/> A	+\$0
963 charred walnut, low sheen <input type="checkbox"/> A	+\$0
964 bronzed walnut, low sheen <input type="checkbox"/> A	+\$0
965 smoked walnut, low sheen <input type="checkbox"/> A	+\$0

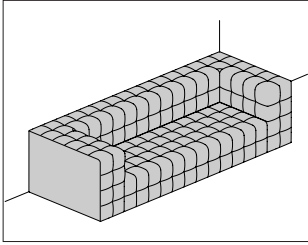
966	coffee walnut, low sheen	A	+\$0
977	chocolate ash, low sheen	A	+\$0
98R	recograin rosewood	A	+\$0
991	champagne ash	A	+\$0
998	ebony ash	A	+\$0
99A	recograin frosty ash	A	+\$0
99R	recograin rosewood	A	+\$0
99T	recograin teak	A	+\$0
9A1	white ash, quarter cut, low sheen	A	+\$0
9K1	rift oak, rift cut, low sheen	A	+\$0
9K6	burnt oak, rift cut, low sheen	A	+\$0
66A	recograin frosty ash	A	+\$0
677	chocolate ash, matte sheen	A	+\$0
68R	recograin rosewood	A	+\$0
69A	recograin frosty ash	A	+\$0
69R	recograin rosewood	A	+\$0
69T	recograin teak	A	+\$0
6A1	white ash	A	+\$0
6K1	rift oak	A	+\$0
6K6	burnt oak	A	+\$0
ET	clear on ash	A	+\$0
EU	oak on ash	A	+\$0
EV	walnut on ash	A	+\$0
GOU	natural walnut, flat cut, matte sheen	A	+\$0
68W	recograin walnut, flat cut, matte sheen	A	+\$0
69W	recograin walnut, quarter cut, matte sheen	A	+\$0
98W	recograin walnut, flat cut, low sheen	A	+\$0
99W	recograin walnut, quarter cut, low sheen	A	+\$0

Step 5. Fire Retardancy

NOCAL	no cal-133 required	A	+\$0
-------	---------------------	---	------

Rapport Sofa

SK3A
SK3CL
SK3CR
SK3N



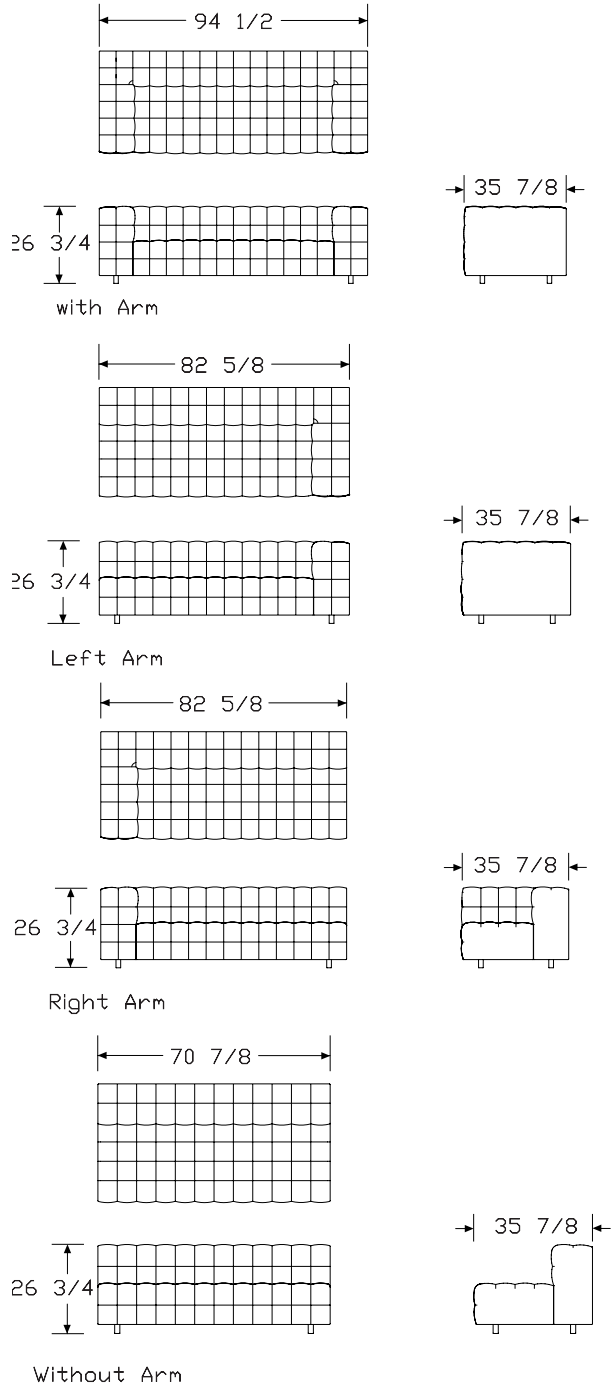
Product Information

Description

This sofa is foam and Dacron® with solid ash or walnut legs.
Customer's Own Material (COM) requires 7¼ yards for the armless unit, 8¾ yards for the 1-arm unit, and 10¾ yards for the arm unit. Customer's Own Leather (COL) requires 159½ square feet for the armless unit, 192½ square feet for the 1-arm unit, and 236½ square feet for the arm unit. See Order Information in appendices.

HermanMiller Ancillary-Lounge Seating

Dimensions



Specification Information

Step 1.

SK3 A

Step 2. Arms

A arms A

CL corner left, arm right A

CR corner right, arm left A

N armless A

Prices for Steps 1-2.

SK3A	\$8313
SK3CL	\$8248
SK3CR	\$8248
SK3N	\$7429

Step 3. Upholstery

Price Category 7	+\$2284
Price Category 8	+\$3484
Price Category 1	+\$0
Price Category 2	+\$632
Price Category 3	+\$787
Price Category (Geiger) 3	+\$787
Price Category 4	+\$968
Price Category (Geiger) 4	+\$968
Price Category 5	+\$1406
Price Category (Geiger) 5	+\$1406
Price Category (Geiger) 7	+\$2284
Price Category (Geiger) 8	+\$3484
Price Category 10	+\$4980
Price Category (Geiger) 10	+\$4980
Price Category 9	+\$4322
Price Category 11	+\$5573
Price Category 14	+\$7302
Price Category C	+\$710
Price Category D	+\$942
Price Category E	+\$1135
Price Category F	+\$1368
Price Category G	+\$1858
Price Category H	+\$2310
Price Category J	+\$3264
Price Category I	+\$2786
Price Category K	+\$3742
Price Category L	+\$4219
Price Category M	+\$4696
Price Category N	+\$5173
Price Category P	+\$6115
Price Category (Geiger) COL <input type="checkbox"/> A	+\$821
Price Category (Geiger) COM <input type="checkbox"/> A	+\$0

Step 4. Wood Finish

967 smoked paldao, low sheen <input type="checkbox"/> A	+\$0
969 warm paldao, low sheen <input type="checkbox"/> A	+\$0
G2U light brown walnut, low sheen <input type="checkbox"/> A	+\$0
G40 dark brown walnut, low sheen <input type="checkbox"/> A	+\$0
940 sundance cherry on maple <input type="checkbox"/> A	+\$0
943 caramel cherry <input type="checkbox"/> A	+\$0
946 cocoa cherry <input type="checkbox"/> A	+\$0
956 cocoa sapele <input type="checkbox"/> A	+\$0
962 toasted walnut, low sheen <input type="checkbox"/> A	+\$0
963 charred walnut, low sheen <input type="checkbox"/> A	+\$0
964 bronzed walnut, low sheen <input type="checkbox"/> A	+\$0
965 smoked walnut, low sheen <input type="checkbox"/> A	+\$0

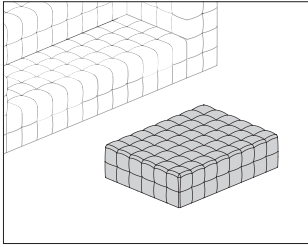
966	coffee walnut, low sheen	<input type="checkbox"/> A	+\$0
977	chocolate ash, low sheen	<input type="checkbox"/> A	+\$0
98R	recograin rosewood	<input type="checkbox"/> A	+\$0
991	champagne ash	<input type="checkbox"/> A	+\$0
998	ebony ash	<input type="checkbox"/> A	+\$0
99A	recograin frosty ash	<input type="checkbox"/> A	+\$0
99R	recograin rosewood	<input type="checkbox"/> A	+\$0
99T	recograin teak	<input type="checkbox"/> A	+\$0
9A1	white ash, quarter cut, low sheen	<input type="checkbox"/> A	+\$0
9K1	rift oak, rift cut, low sheen	<input type="checkbox"/> A	+\$0
9K6	burnt oak, rift cut, low sheen	<input type="checkbox"/> A	+\$0
66A	recograin frosty ash	<input type="checkbox"/> A	+\$0
677	chocolate ash, matte sheen	<input type="checkbox"/> A	+\$0
68R	recograin rosewood	<input type="checkbox"/> A	+\$0
69A	recograin frosty ash	<input type="checkbox"/> A	+\$0
69R	recograin rosewood	<input type="checkbox"/> A	+\$0
69T	recograin teak	<input type="checkbox"/> A	+\$0
6A1	white ash	<input type="checkbox"/> A	+\$0
6K1	rift oak	<input type="checkbox"/> A	+\$0
6K6	burnt oak	<input type="checkbox"/> A	+\$0
ET	clear on ash	<input type="checkbox"/> A	+\$0
EU	oak on ash	<input type="checkbox"/> A	+\$0
EV	walnut on ash	<input type="checkbox"/> A	+\$0
GOU	natural walnut, flat cut, matte sheen	<input type="checkbox"/> A	+\$0
68W	recograin walnut, flat cut, matte sheen	<input type="checkbox"/> A	+\$0
69W	recograin walnut, quarter cut, matte sheen	<input type="checkbox"/> A	+\$0
98W	recograin walnut, flat cut, low sheen	<input type="checkbox"/> A	+\$0
99W	recograin walnut, quarter cut, low sheen	<input type="checkbox"/> A	+\$0

Step 5. Fire Retardancy

NOCAL	no cal-133 required	<input type="checkbox"/> A	+\$0
--------------	---------------------	----------------------------	------

Rapport Ottoman

SK4A
SK4B

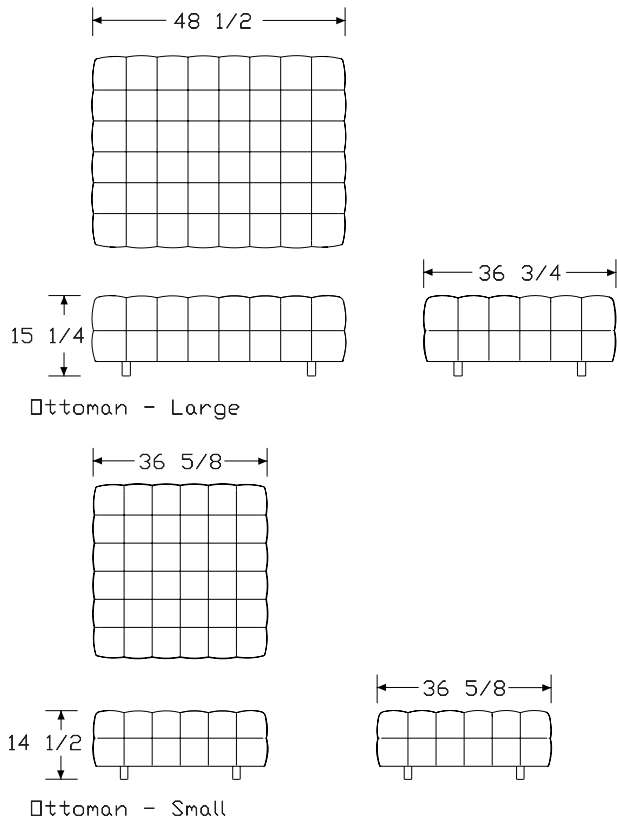


Product Information

Description

This ottoman is foam and Dacron® with solid ash or walnut legs.
Customer's Own Material (COM) requires 2¾ yards for the small ottoman and 3¾ yards for the large ottoman. Customer's Own Leather (COL) requires 60½ square feet for the small ottoman and 82½ square feet for the large ottoman. See Order Information in appendices.

Dimensions



Specification Information

Step 1.

SK4 A

Step 2. Size

A small A

B large A

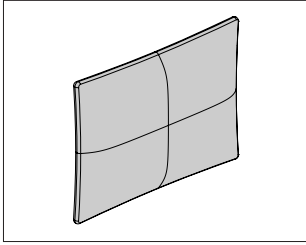
Prices for Steps 1-2.

SK4A	\$3269
SK4B	\$3542

Step 3. Upholstery

Price Category 7	+\$584
Price Category 8	+\$892
Price Category 1	+\$0
Price Category 2	+\$162
Price Category 3	+\$202
Price Category (Geiger) 3	+\$202
Price Category 4	+\$248
Price Category (Geiger) 4	+\$248
Price Category 5	+\$360
Price Category (Geiger) 5	+\$360
Price Category (Geiger) 7	+\$584
Price Category (Geiger) 8	+\$892
Price Category 10	+\$1274
Price Category (Geiger) 10	+\$1274
Price Category 9	+\$1106
Price Category 11	+\$1426
Price Category 14	+\$1868
Price Category C	+\$182
Price Category D	+\$241
Price Category E	+\$290
Price Category F	+\$350
Price Category G	+\$475
Price Category H	+\$592
Price Category J	+\$835
Price Category I	+\$713
Price Category K	+\$958
Price Category L	+\$1080
Price Category M	+\$1201
Price Category N	+\$1324
Price Category P	+\$1565
Price Category (Geiger) COL <input type="checkbox"/> A	+\$324
Price Category (Geiger) COM <input type="checkbox"/> A	+\$0

Step 4. Wood Finish		
967	smoked paldao, low sheen	A +\$0
969	warm paldao, low sheen	A +\$0
G2U	light brown walnut, low sheen	A +\$0
G40	dark brown walnut, low sheen	A +\$0
940	sundance cherry on maple	A +\$0
943	caramel cherry	A +\$0
946	cocoa cherry	A +\$0
956	cocoa sapele	A +\$0
962	toasted walnut, low sheen	A +\$0
963	charred walnut, low sheen	A +\$0
964	bronzed walnut, low sheen	A +\$0
965	smoked walnut, low sheen	A +\$0
966	coffee walnut, low sheen	A +\$0
977	chocolate ash, low sheen	A +\$0
98R	recograin rosewood	A +\$0
991	champagne ash	A +\$0
998	ebony ash	A +\$0
99A	recograin frosty ash	A +\$0
99R	recograin rosewood	A +\$0
99T	recograin teak	A +\$0
9A1	white ash, quarter cut, low sheen	A +\$0
9K1	rift oak, rift cut, low sheen	A +\$0
9K6	burnt oak, rift cut, low sheen	A +\$0
66A	recograin frosty ash	A +\$0
677	chocolate ash, matte sheen	A +\$0
68R	recograin rosewood	A +\$0
69A	recograin frosty ash	A +\$0
69R	recograin rosewood	A +\$0
69T	recograin teak	A +\$0
6A1	white ash	A +\$0
6K1	rift oak	A +\$0
6K6	burnt oak	A +\$0
ET	clear on ash	A +\$0
EU	oak on ash	A +\$0
EV	walnut on ash	A +\$0
GOU	natural walnut, flat cut, matte sheen	A +\$0
68W	recograin walnut, flat cut, matte sheen	A +\$0
69W	recograin walnut, quarter cut, matte sheen	A +\$0
98W	recograin walnut, flat cut, low sheen	A +\$0
99W	recograin walnut, quarter cut, low sheen	A +\$0
Step 5. Fire Retardancy		
NOCAL	no cal-133 required	A +\$0



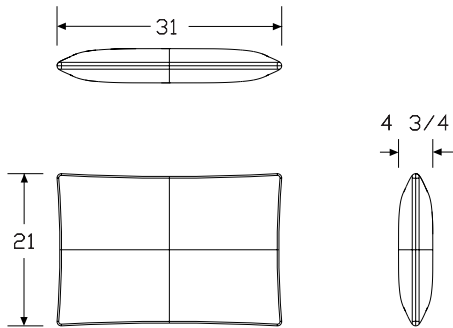
Product Information

Description

This 21"W×31"H pillow is 90% duck feather and 10% duck down covered with Dacron®.

Customer's Own Material (COM) requires 1½ yards. Customer's Own Leather (COL) requires 33 square feet. See Order Information in appendices.

Dimensions



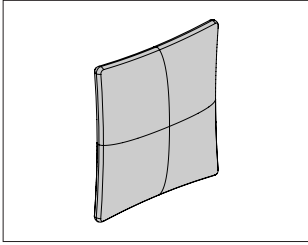
Specification Information

Step 1.

SK5 A \$345

Step 2. Upholstery

Price Category 7	+\$319
Price Category 8	+\$486
Price Category 1	+\$0
Price Category 2	+\$89
Price Category 3	+\$110
Price Category (Geiger) 3	+\$110
Price Category 4	+\$136
Price Category (Geiger) 4	+\$136
Price Category 5	+\$197
Price Category (Geiger) 5	+\$197
Price Category (Geiger) 7	+\$319
Price Category (Geiger) 8	+\$486
Price Category 10	+\$695
Price Category (Geiger) 10	+\$695
Price Category 9	+\$604
Price Category 11	+\$778
Price Category 14	+\$1019
Price Category C	+\$100
Price Category D	+\$132
Price Category E	+\$158
Price Category F	+\$191
Price Category G	+\$259
Price Category H	+\$323
Price Category J	+\$456
Price Category I	+\$389
Price Category K	+\$522
Price Category L	+\$589
Price Category M	+\$655
Price Category N	+\$722
Price Category P	+\$853



HermanMiller Ancillary-Lounge Seating

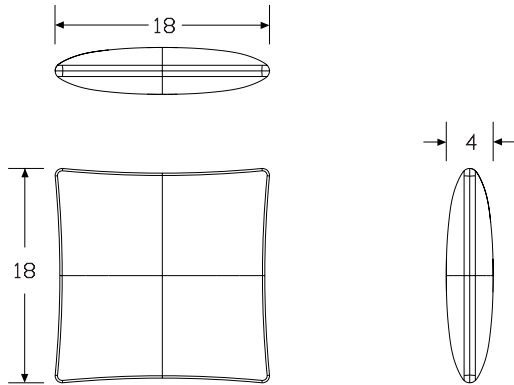
Product Information

Description

This 18"W×18"H pillow is 90% duck feather and 10% duck down covered with Dacron®.

Customer's Own Material (COM) requires 1 yard. Customer's Own Leather (COL) requires 22 square feet. See Order Information in appendices.

Dimensions



Specification Information

Step 1.

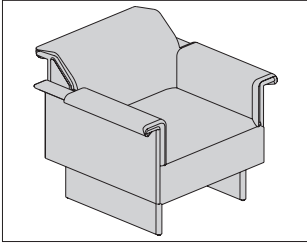
SK6 A \$248

Step 2. Upholstery

Price Category 7	+\$212
Price Category 8	+\$324
Price Category 1	+\$0
Price Category 2	+\$59
Price Category 3	+\$73
Price Category (Geiger) 3	+\$73
Price Category 4	+\$90
Price Category (Geiger) 4	+\$90
Price Category 5	+\$131
Price Category (Geiger) 5	+\$131
Price Category (Geiger) 7	+\$212
Price Category (Geiger) 8	+\$324
Price Category 10	+\$463
Price Category (Geiger) 10	+\$463
Price Category 9	+\$402
Price Category 11	+\$518
Price Category 14	+\$679
Price Category C	+\$66
Price Category D	+\$88
Price Category E	+\$106
Price Category F	+\$127
Price Category G	+\$173
Price Category H	+\$215
Price Category J	+\$304
Price Category I	+\$259
Price Category K	+\$348
Price Category L	+\$392
Price Category M	+\$437
Price Category N	+\$481
Price Category P	+\$569
Price Category R	+\$916

Mantle Club Chair

SR1AN
SR1AP
SR1NN
SR1NP



Product Information

Description

This club chair has a fire-retardant free foam and down topper with a solid wood base or plated steel swivel base with return-to-center mechanism.

Notes

Customer's Own Material (COM) requires the following yardage:

Type—Total—Seat Frame & Back—Seat and Optional Arm & Back Pillows

SR1AN	7	5½	1½
SR1AP	9	5½	3½
SR1NN	4½	3	1½
SR1NP	6	3	3

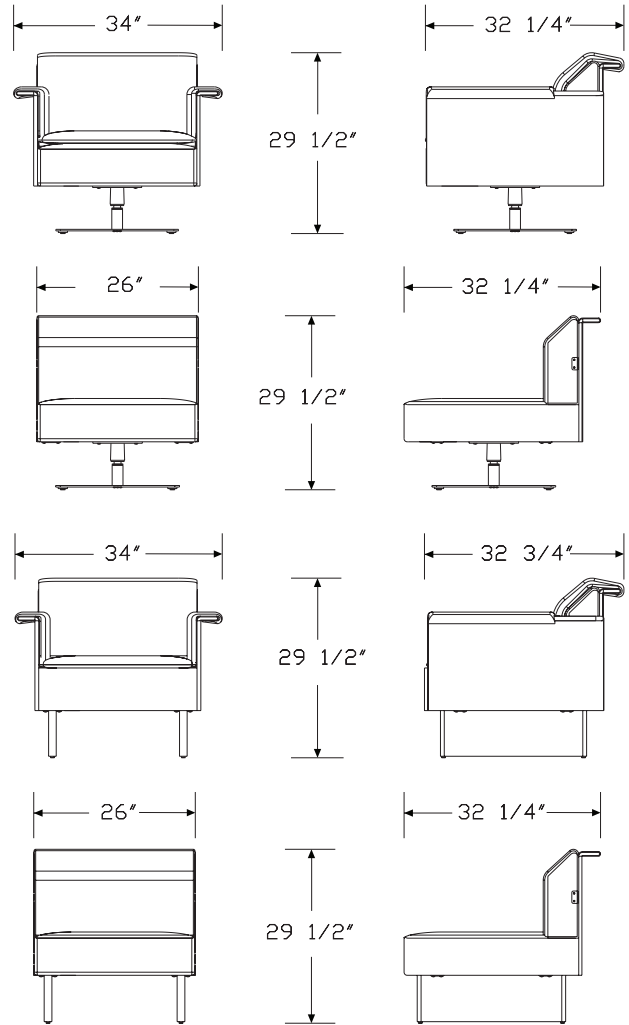
Customer's Own Leather (COL) requires the following square feet:

Type—Total—Seat Frame & Back—Seat and Optional Arm & Back Pillows

SR1AN	126	99	27
SR1AP	162	99	63
SR1NN	81	54	27
SR1NP	108	54	54

See Order Information in appendices for more information.

Dimensions



Mantle Club Chair *continued*

HermanMiller Ancillary-Lounge Seating

Specification Information

Step 1.

SR1 A

Step 2. Arms

A arms A

N armless A

Step 3. Pillows

N no arm or back pillows A

P arm and back pillows A

Step 4. Base

S swivel base, with return to center A

W wood base A

Prices for Steps 1-4.

SR1AN	S	\$4231
	W	\$3618
SR1AP	S	\$5320
	W	\$4708
SR1NN	S	\$3618
	W	\$2934
SR1NP	S	\$4093
	W	\$3411

Step 5. Seat Frame and Back Upholstery

For armless (N)

Price Category 1	+\$0
Price Category 3	+\$202
Price Category (Geiger) 4	+\$248
Price Category 5	+\$360
Price Category (Geiger) 5	+\$360
Price Category (Geiger) 7	+\$584
Price Category (Geiger) 8	+\$892
Price Category (Geiger) 9	+\$1106
Price Category (Geiger) 10	+\$1274
Price Category 11	+\$1426
Price Category (Geiger) D	+\$241
Price Category (Geiger) COM <input type="checkbox"/> A	+\$0

For arms (A)

Price Category 1	+\$0
Price Category 3	+\$403
Price Category (Geiger) 4	+\$496
Price Category 5	+\$720
Price Category (Geiger) 5	+\$720
Price Category (Geiger) 7	+\$1169
Price Category (Geiger) 8	+\$1782
Price Category (Geiger) 9	+\$2212
Price Category (Geiger) 10	+\$2548
Price Category 11	+\$2851
Price Category (Geiger) D	+\$461
Price Category (Geiger) COM <input type="checkbox"/> A	+\$0

Step 6. Seat and Optional Arm and Back Pillows Upholstery

For armless (N) with no arm or back pillows (N)

Price Category 1	+\$0
Price Category 3	+\$92
Price Category (Geiger) 4	+\$113
Price Category 5	+\$164
Price Category (Geiger) 5	+\$164
Price Category (Geiger) 7	+\$266
Price Category (Geiger) 8	+\$406
Price Category (Geiger) 9	+\$503
Price Category (Geiger) 10	+\$580
Price Category 11	+\$648
Price Category (Geiger) D	+\$110
Price Category (Geiger) COM <input type="checkbox"/> A	+\$0

For armless (N) with arm and back pillows (P)

Price Category 1	+\$0
Price Category 3	+\$202
Price Category (Geiger) 4	+\$248
Price Category 5	+\$360
Price Category (Geiger) 5	+\$360
Price Category (Geiger) 7	+\$584
Price Category (Geiger) 8	+\$892
Price Category (Geiger) 9	+\$1106
Price Category (Geiger) 10	+\$1274
Price Category 11	+\$1426
Price Category (Geiger) D	+\$241
Price Category (Geiger) COM <input type="checkbox"/> A	+\$0

Mantle Club Chair *continued*

For arms (A) with no arm or back pillows (N)

Price Category 1	+\$0
Price Category 3	+\$92
Price Category (Geiger) 4	+\$113
Price Category 5	+\$164
Price Category (Geiger) 5	+\$164
Price Category (Geiger) 7	+\$266
Price Category (Geiger) 8	+\$406
Price Category (Geiger) 9	+\$503
Price Category (Geiger) 10	+\$580
Price Category 11	+\$648
Price Category (Geiger) D	+\$110
Price Category (Geiger) COM <input type="checkbox"/> A	+\$0

For arms (A) with arm and back pillows (P)

Price Category 1	+\$0
Price Category 3	+\$239
Price Category (Geiger) 4	+\$293
Price Category 5	+\$426
Price Category (Geiger) 5	+\$426
Price Category (Geiger) 7	+\$691
Price Category (Geiger) 8	+\$1054
Price Category (Geiger) 9	+\$1307
Price Category (Geiger) 10	+\$1506
Price Category 11	+\$1685
Price Category (Geiger) D	+\$286
Price Category (Geiger) COM <input type="checkbox"/> A	+\$0

Step 7. Base Finish

For wood base (W)

678 natural oak <input type="checkbox"/> A	+\$0
6A1 white ash <input type="checkbox"/> A	+\$0
GOU natural walnut, flat cut, matte sheen <input type="checkbox"/> A	+\$0

For wood base (W)

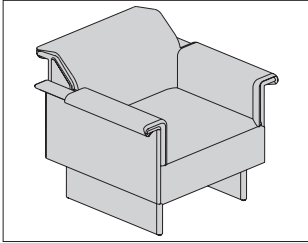
978 natural oak <input type="checkbox"/> A	+\$0
998 ebony ash <input type="checkbox"/> A	+\$0
9A1 white ash, quarter cut, low sheen <input type="checkbox"/> A	+\$0

For swivel base, with return to center (S)

CHR polished chrome <input type="checkbox"/> A	+\$225
SAC satin chrome <input type="checkbox"/> A	+\$0

Mantle Leather Club Chair

SR1HA
SR1HN



Product Information

Description

This club chair has a fire-retardant free foam and down topper with a solid wood base or plated steel swivel base with return-to-center mechanism.

Notes

Customer's Own Leather (COL) requires the following square feet:

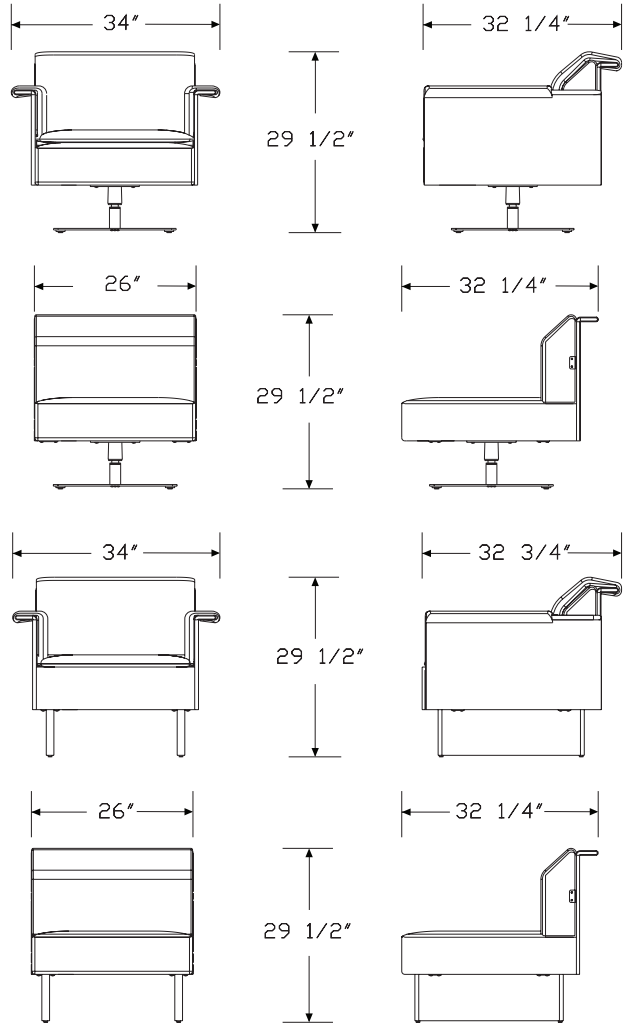
Type—Total—Seat Frame & Back—Seat and Optional Arm & Back Pillows

SR1HAN	126	99	27
SR1HAP	162	99	63
SR1HNN	81	54	27
SR1HNP	108	54	54

See Order Information in appendices for more information.

HermanMiller Ancillary—Lounge Seating

Dimensions



Mantle Leather Club Chair *continued*

Specification Information

Step 1.

SR1H A

Step 2. Arms

A arms A

N armless A

Step 3. Pillows

N no arm or back pillows A

P arm and back pillows A

Step 4. Base

S swivel base, with return to center A

W wood base A

Prices for Steps 1-4.

		S	W
SR1HA	N	\$4337	3705
	P	\$5453	4825
SR1HN	N	\$3708	3008
	P	\$4195	3517

Step 5. Seat Frame and Back Upholstery

For armless (N)

Price Category (Geiger) 10 +\$1273

Price Category (Geiger) V +\$3264

Price Category (Geiger) COL A +\$248

For arms (A)

Price Category (Geiger) 10 +\$2547

Price Category (Geiger) V +\$5529

Price Category (Geiger) COL A +\$473

Step 6. Seat and Optional Arm and Back Pillows Upholstery

For armless (N) with no arm or back pillows (N)

Price Category (Geiger) 10 +\$579

Price Category (Geiger) V +\$1484

Price Category (Geiger) COL A +\$113

For armless (N) with arm and back pillows (P)

Price Category (Geiger) 10 +\$1273

Price Category (Geiger) V +\$3264

Price Category (Geiger) COL A +\$248

For arms (A) with no arm or back pillows (N)

Price Category (Geiger) 10 +\$579

Price Category (Geiger) V +\$1484

Price Category (Geiger) COL A +\$113

For arms (A) with arm and back pillows (P)

Price Category (Geiger) 10 +\$1505

Price Category (Geiger) V +\$3858

Price Category (Geiger) COL A +\$293

Step 7. Base Finish

For wood base (W)

6A1 white ash A +\$0

678 natural oak A +\$0

GOU natural walnut, flat cut, matte sheen A +\$0

For wood base (W)

9A1 white ash, quarter cut, low sheen A +\$0

978 natural oak A +\$0

998 ebony ash A +\$0

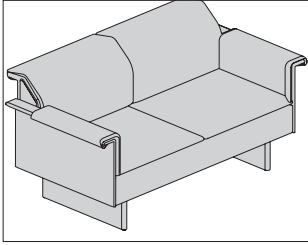
For swivel base, with return to center (S)

CHR polished chrome A +\$225

SAC satin chrome A +\$225

Mantle Settee

- SR2AL
- SR2AN
- SR2AP
- SR2AR
- SR2CL
- SR2CR
- SR2NN
- SR2NP



HermanMiller Ancillary—Lounge Seating

Product Information

Description

This settee has a fire-retardant free foam and down topper with a solid wood base.

Notes

Specify left and right from a seated viewpoint.

Customer's Own Material (COM) requires the following yardage:

Type—Total—Seat Frame & Back—Seat and Optional Arm & Back Pillows

SR2ALN	18 1/2	9 1/2	9
SR2ALP	12 3/4	9 1/4	3 1/2
SR2AN	13	9 1/2	3 1/2
SR2AP	14 1/4	10 3/4	3 1/2
SR2ARN	19 3/4	10 3/4	9
SR2ARP	13	9 1/2	3 1/2
SR2CLAN	18 1/2	9 1/2	9
SR2CLAP	14	10 1/2	3 1/2
SR2CLNN	21	10 1/2	10 1/2
SR2CLNP	12 3/4	9 1/4	3 1/2
SR2CRAN	19 3/4	9 1/4	10 1/2
SR2CRAP	14	10 1/2	3 1/2
SR2CRNN	21	10 1/2	10 1/2
SR2CRNP	19 3/4	9 1/4	10 1/2
SR2NN	11 1/2	8	3 1/2
SR2NP	17	8	9

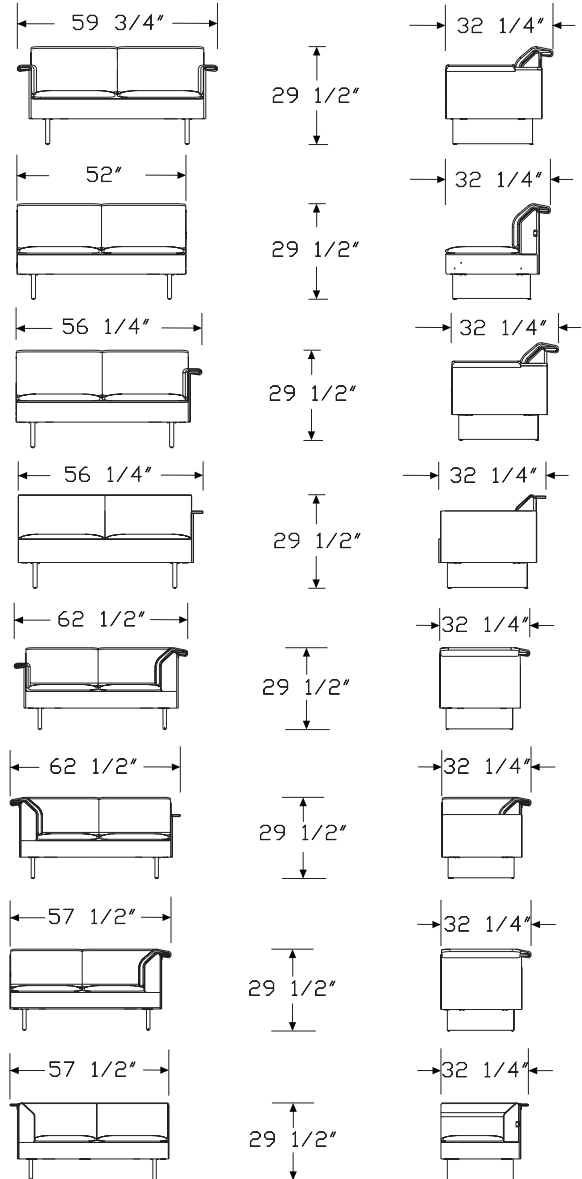
Customer's Own Leather (COL) requires the following square feet:

Type—Total—Seat Frame & Back—Seat and Optional Arm & Back Pillows

SR2ALN	333	171	162
SR2ALP	229 1/2	166 1/2	63
SR2AN	234	171	63
SR2AP	256 1/2	193 1/2	63
SR2ARN	355 1/2	193 1/2	162
SR2ARP	234	171	63
SR2CLAN	333	171	162
SR2CLAP	252	189	63
SR2CLNN	378	189	189
SR2CLNP	229 1/2	166 1/2	63
SR2CRAN	355 1/2	166 1/2	189
SR2CRAP	252	189	63
SR2CRNN	378	189	189
SR2CRNP	355 1/2	166 1/2	189
SR2NN	207	144	63
SR2NP	306	144	162

See Order Information in appendices for more information.

Dimensions



Specification Information

Step 1.

SR2 A

Step 2. Arms

- A arms A
- AL arm left, armless right A
- AR arm right, armless left A
- CLA corner left, arm right A
- CLN corner left, armless right A
- CRA corner right, arm left A
- CRN corner right, armless left A
- N armless A

Step 3. Pillows

- N no arm or back pillows A
- P arm and back pillows A

Step 4. Base

- W wood base A

Prices for Steps 1-4.

SR2AN W	\$5320
SR2AP W	\$6685
	W
SR2AL N	\$4913
P	\$6139
SR2AR N	\$4913
P	\$6139
SR2CLA N	\$5866
P	\$7230
SR2CLN N	\$5320
P	\$6685
SR2CRA N	\$5866
P	\$7230
SR2CRN N	\$5320
P	\$6685
SR2NN W	\$4708

SR2NP W \$5527

Step 5. Seat Frame and Back Upholstery

For armless (N)

Price Category 1	+\$0
Price Category 3	+\$403
Price Category (Geiger) 4	+\$496
Price Category 5	+\$720
Price Category (Geiger) 5	+\$720
Price Category (Geiger) 7	+\$1169
Price Category (Geiger) 8	+\$1782
Price Category (Geiger) 9	+\$2212
Price Category (Geiger) 10	+\$2548
Price Category 11	+\$2851
Price Category (Geiger) D	+\$482
Price Category (Geiger) COM <input type="checkbox"/> A	+\$0

For arms (A)

Price Category 1	+\$0
Price Category 3	+\$586
Price Category (Geiger) 4	+\$720
Price Category 5	+\$1046
Price Category (Geiger) 5	+\$1046
Price Category (Geiger) 7	+\$1699
Price Category (Geiger) 8	+\$2592
Price Category (Geiger) 9	+\$3216
Price Category (Geiger) 10	+\$3706
Price Category 11	+\$4147
Price Category (Geiger) D	+\$701
Price Category (Geiger) COM <input type="checkbox"/> A	+\$0

For arm left, armless right (AL) or arm right, armless left (AR)

Price Category 1	+\$0
Price Category 3	+\$494
Price Category (Geiger) 4	+\$608
Price Category 5	+\$883
Price Category (Geiger) 5	+\$883
Price Category (Geiger) 7	+\$1434
Price Category (Geiger) 8	+\$2188
Price Category (Geiger) 9	+\$2714
Price Category (Geiger) 10	+\$3127
Price Category 11	+\$3499
Price Category (Geiger) D	+\$592
Price Category (Geiger) COM <input type="checkbox"/> A	+\$0

Mantle Settee *continued*

HermanMiller Ancillary—Lounge Seating

<i>For corner left, armless right (CLN) or corner right, armless left (CRN)</i>	
Price Category 1	+\$0
Price Category 3	+\$512
Price Category (Geiger) 4	+\$630
Price Category 5	+\$916
Price Category (Geiger) 5	+\$916
Price Category (Geiger) 7	+\$1487
Price Category (Geiger) 8	+\$2268
Price Category (Geiger) 9	+\$2814
Price Category (Geiger) 10	+\$3242
Price Category 11	+\$3629
Price Category (Geiger) D	+\$613
Price Category (Geiger) COM [A]	+\$0

<i>For corner left, arm right (CLA) or corner right, arm left (GRA)</i>	
Price Category 1	+\$0
Price Category 3	+\$605
Price Category (Geiger) 4	+\$743
Price Category 5	+\$1080
Price Category (Geiger) 5	+\$1080
Price Category (Geiger) 7	+\$1753
Price Category (Geiger) 8	+\$2674
Price Category (Geiger) 9	+\$3317
Price Category (Geiger) 10	+\$3822
Price Category 11	+\$4277
Price Category (Geiger) D	+\$724
Price Category (Geiger) COM [A]	+\$0

Step 6. Seat and Optional Arm and Back Pillows Upholstery

<i>For armless (N) with no arm or back pillows (N)</i>	
Price Category 1	+\$0
Price Category 3	+\$146
Price Category (Geiger) 4	+\$180
Price Category 5	+\$262
Price Category (Geiger) 5	+\$262
Price Category (Geiger) 7	+\$425
Price Category (Geiger) 8	+\$648
Price Category (Geiger) 9	+\$804
Price Category (Geiger) 10	+\$926
Price Category 11	+\$1037
Price Category (Geiger) D	+\$175
Price Category (Geiger) COM [A]	+\$0

<i>For armless (N) with arm and back pillows (P)</i>	
Price Category 1	+\$0
Price Category 3	+\$421
Price Category (Geiger) 4	+\$518
Price Category 5	+\$752
Price Category (Geiger) 5	+\$752
Price Category (Geiger) 7	+\$1222
Price Category (Geiger) 8	+\$1864
Price Category (Geiger) 9	+\$2312
Price Category (Geiger) 10	+\$2664
Price Category 11	+\$2981
Price Category (Geiger) D	+\$494
Price Category (Geiger) COM [A]	+\$0

<i>For arms (A) with no arm or back pillows (N)</i>	
Price Category 1	+\$0
Price Category 3	+\$146
Price Category (Geiger) 4	+\$180
Price Category 5	+\$262
Price Category (Geiger) 5	+\$262
Price Category (Geiger) 7	+\$425
Price Category (Geiger) 8	+\$648
Price Category (Geiger) 9	+\$804
Price Category (Geiger) 10	+\$926
Price Category 11	+\$1037
Price Category (Geiger) D	+\$175
Price Category (Geiger) COM [A]	+\$0

<i>For arms (A) with arm and back pillows (P)</i>	
Price Category 1	+\$0
Price Category 3	+\$421
Price Category (Geiger) 4	+\$518
Price Category 5	+\$752
Price Category (Geiger) 5	+\$752
Price Category (Geiger) 7	+\$1222
Price Category (Geiger) 8	+\$1864
Price Category (Geiger) 9	+\$2312
Price Category (Geiger) 10	+\$2664
Price Category 11	+\$2981
Price Category (Geiger) D	+\$494
Price Category (Geiger) COM [A]	+\$0

Mantle Settee *continued*

For arm left, armless right (AL) or arm right, armless left (AR) with no arm or back pillows (N)

Price Category 1	+\$0
Price Category 3	+\$146
Price Category (Geiger) 4	+\$180
Price Category 5	+\$262
Price Category (Geiger) 5	+\$262
Price Category (Geiger) 7	+\$425
Price Category (Geiger) 8	+\$648
Price Category (Geiger) 9	+\$804
Price Category (Geiger) 10	+\$926
Price Category 11	+\$1037
Price Category (Geiger) D	+\$175
Price Category (Geiger) COM A	+\$0

For arm left, armless right (AL) or arm right, armless left (AR) with arm and back pillows (P)

Price Category 1	+\$0
Price Category 3	+\$421
Price Category (Geiger) 4	+\$518
Price Category 5	+\$752
Price Category (Geiger) 5	+\$752
Price Category (Geiger) 7	+\$1222
Price Category (Geiger) 8	+\$2312
Price Category (Geiger) 9	+\$2664
Price Category (Geiger) 10	+\$2981
Price Category 11	+\$2981
Price Category (Geiger) D	+\$494
Price Category (Geiger) COM A	+\$0

For corner left, armless right (CLN) or corner right, armless left (CRN) with no arm or back pillows (N)

Price Category 1	+\$0
Price Category 3	+\$146
Price Category (Geiger) 4	+\$180
Price Category 5	+\$262
Price Category (Geiger) 5	+\$262
Price Category (Geiger) 7	+\$425
Price Category (Geiger) 8	+\$648
Price Category (Geiger) 9	+\$804
Price Category (Geiger) 10	+\$926
Price Category 11	+\$1037
Price Category (Geiger) D	+\$175
Price Category (Geiger) COM A	+\$0

For corner left, armless right (CLN) or corner right, armless left (CRN) with arm and back pillows (P)

Price Category 1	+\$0
Price Category 3	+\$512
Price Category (Geiger) 4	+\$630
Price Category 5	+\$916
Price Category (Geiger) 5	+\$916
Price Category (Geiger) 7	+\$1487
Price Category (Geiger) 8	+\$2268
Price Category (Geiger) 9	+\$2814
Price Category (Geiger) 10	+\$3242
Price Category 11	+\$3629
Price Category (Geiger) D	+\$613
Price Category (Geiger) COM A	+\$0

For corner left, arm right (CLA) or corner right, arm left (CRA) with no arm or back pillows (N)

Price Category 1	+\$0
Price Category 3	+\$146
Price Category (Geiger) 4	+\$180
Price Category 5	+\$262
Price Category (Geiger) 5	+\$262
Price Category (Geiger) 7	+\$425
Price Category (Geiger) 8	+\$648
Price Category (Geiger) 9	+\$804
Price Category (Geiger) 10	+\$926
Price Category 11	+\$1037
Price Category (Geiger) D	+\$175
Price Category (Geiger) COM A	+\$0

For corner left, arm right (CLA) or corner right, arm left (CRA) with arm and back pillows (P)

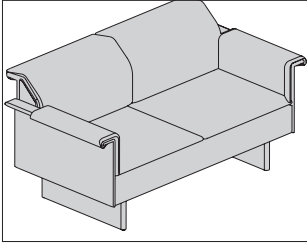
Price Category 1	+\$0
Price Category 3	+\$512
Price Category (Geiger) 4	+\$630
Price Category 5	+\$916
Price Category (Geiger) 5	+\$916
Price Category (Geiger) 7	+\$1487
Price Category (Geiger) 8	+\$2268
Price Category (Geiger) 9	+\$2814
Price Category (Geiger) 10	+\$3242
Price Category 11	+\$3629
Price Category (Geiger) D	+\$613
Price Category (Geiger) COM A	+\$0

Mantle Settee *continued*

Step 7. Base Finish		
678	natural oak <input type="checkbox"/> A	+\$0
6A1	white ash <input type="checkbox"/> A	+\$0
GOU	natural walnut, flat cut, matte sheen <input type="checkbox"/> A	+\$0
978	natural oak <input type="checkbox"/> A	+\$0
998	ebony ash <input type="checkbox"/> A	+\$0
9A1	white ash, quarter cut, low sheen <input type="checkbox"/> A	+\$0

Mantle Leather Settee

SR2HA
SR2HC
SR2HN



Product Information

Description

This settee has a fire-retardant free foam and down topper with a solid wood base.

Notes

Specify left and right from a seated viewpoint.

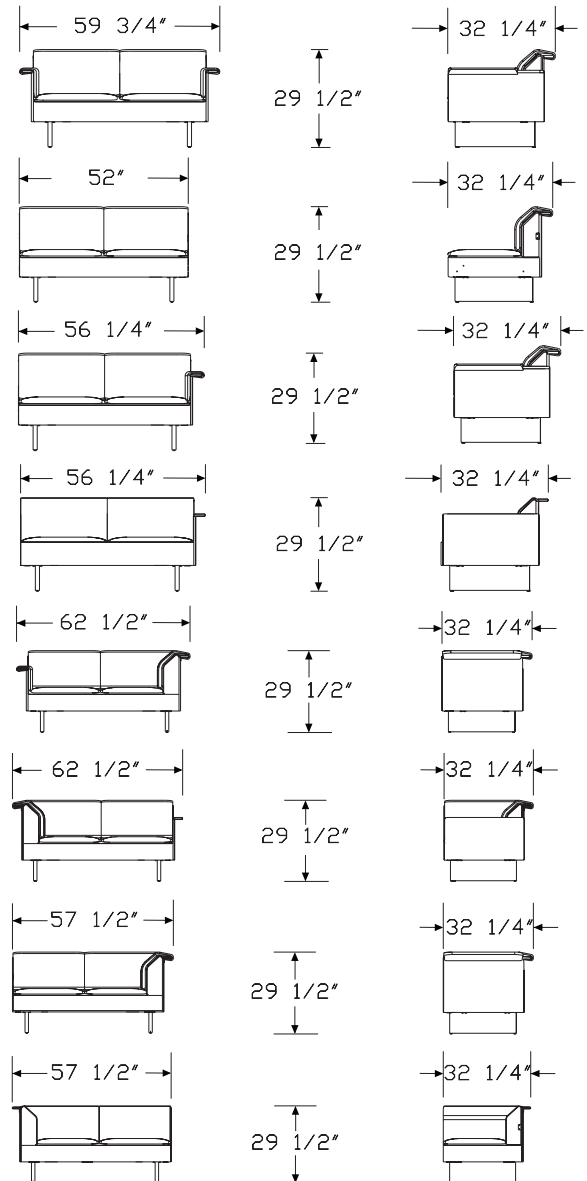
Customer's Own Leather (COL) requires the following square feet:

Type—Total—Seat Frame & Back—Seat and Optional Arm & Back Pillows

SR2HALN	333	171	162
SR2HALP	229½	166½	63
SR2HAN	234	171	63
SR2HAP	256½	193½	63
SR2HARN	355½	193½	162
SR2HARP	234	171	63
SR2HCLAN	333	171	162
SR2HCLAP	252	189	63
SR2HCLNN	378	189	189
SR2HCLNP	229½	166½	63
SR2HCRAN	355½	166½	189
SR2HCRAP	252	189	63
SR2HCRNN	378	189	189
SR2HCRNP	355½	166½	189
SR2HNN	207	144	63
SR2HNP	306	144	162

See Order Information in appendices for more information.

Dimensions



Specification Information

Step 1.

SR2H A

Step 2. Arms

- A arms A
- AL arm left, armless right A
- AR arm right, armless left A
- CLA corner left, arm right A
- CLN corner left, armless right A
- CRA corner right, arm left A
- CRN corner right, armless left A
- N armless A

Step 3. Pillows

- N no arm or back pillows A
- P arm and back pillows A

Step 4. Base

- W wood base A

Prices for Steps 1-4.

	W
SR2HA N	\$5320
P	\$6685
SR2HAL N	\$4913
P	\$6139
SR2HAR N	\$4913
P	\$6139
SR2HCLA N	\$5866
P	\$7230
SR2HCLN N	\$5320
P	\$6685
SR2HCRA N	\$5866
P	\$7230
SR2HCRN N	\$5320
P	\$6685
SR2HN N	\$4708
P	\$5527

Step 5. Seat Frame and Back Upholstery

For armless (N)

Price Category (Geiger) 10	+\$2547
Price Category (Geiger) V	+\$6529
Price Category (Geiger) COL <input type="checkbox"/> A	+\$495

For arms (A)

Price Category (Geiger) 10	+\$3704
Price Category (Geiger) V	+\$9496
Price Category (Geiger) COL <input type="checkbox"/> A	+\$720

For arm left, armless right (AL) or arm right, armless left (AR)

Price Category (Geiger) 10	+\$3125
Price Category (Geiger) V	+\$8012
Price Category (Geiger) COL <input type="checkbox"/> A	+\$608

For corner left, armless right (CLN) or corner right, armless left (CRN)

Price Category (Geiger) 10	+\$3241
Price Category (Geiger) V	+\$8309
Price Category (Geiger) COL <input type="checkbox"/> A	+\$630

For corner left, arm right (CLA) or corner right, arm left (CRA)

Price Category (Geiger) 10	+\$3820
Price Category (Geiger) V	+\$9793
Price Category (Geiger) COL <input type="checkbox"/> A	+\$743

Step 6. Seat and Optional Arm and Back Pillows Upholstery

For armless (N) with no arm or back pillows (N)

Price Category (Geiger) 10	+\$926
Price Category (Geiger) V	+\$2374
Price Category (Geiger) COL <input type="checkbox"/> A	+\$180

For armless (N) with arm and back pillows (P)

Price Category (Geiger) 10	+\$2662
Price Category (Geiger) V	+\$6825
Price Category (Geiger) COL <input type="checkbox"/> A	+\$518

For arms (A) with no arm or back pillows (N)

Price Category (Geiger) 10	+\$926
Price Category (Geiger) V	+\$2374
Price Category (Geiger) COL <input type="checkbox"/> A	+\$180

Mantle Leather Settee *continued*

<i>For arms (A) with arm and back pillows (P)</i>	
Price Category (Geiger) 10	+\$2662
Price Category (Geiger) V	+\$6825
Price Category (Geiger) COL <input type="checkbox"/> A	+\$518

<i>For arm left, armless right (AL) or arm right, armless left (AR) with no arm or back pillows (N)</i>	
Price Category (Geiger) 10	+\$926
Price Category (Geiger) V	+\$2374
Price Category (Geiger) COL <input type="checkbox"/> A	+\$180

<i>For arm left, armless right (AL) or arm right, armless left (AR) with arm and back pillows (P)</i>	
Price Category (Geiger) 10	+\$2662
Price Category (Geiger) V	+\$6825
Price Category (Geiger) COL <input type="checkbox"/> A	+\$518

<i>For corner left, armless right (CLN) or corner right, armless left (CRN) with no arm or back pillows (N)</i>	
Price Category (Geiger) 10	+\$926
Price Category (Geiger) V	+\$2374
Price Category (Geiger) COL <input type="checkbox"/> A	+\$180

<i>For corner left, armless right (CLN) or corner right, armless left (CRN) with arm and back pillows (P)</i>	
Price Category (Geiger) 10	+\$3241
Price Category (Geiger) V	+\$8309
Price Category (Geiger) COL <input type="checkbox"/> A	+\$630

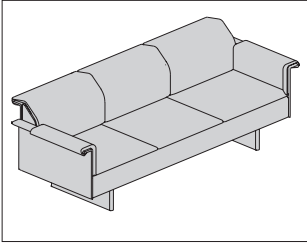
<i>For corner left, arm right (CLA) or corner right, arm left (CRA) with no arm or back pillows (N)</i>	
Price Category (Geiger) 10	+\$926
Price Category (Geiger) V	+\$2374
Price Category (Geiger) COL <input type="checkbox"/> A	+\$180

<i>For corner left, arm right (CLA) or corner right, arm left (CRA) with arm and back pillows (P)</i>	
Price Category (Geiger) 10	+\$3241
Price Category (Geiger) V	+\$8309
Price Category (Geiger) COL <input type="checkbox"/> A	+\$630

Step 7. Base Finish		
6A1	white ash <input type="checkbox"/> A	+\$0
678	natural oak <input type="checkbox"/> A	+\$0
GOU	natural walnut, flat cut, matte sheen <input type="checkbox"/> A	+\$0
9A1	white ash, quarter cut, low sheen <input type="checkbox"/> A	+\$0
978	natural oak <input type="checkbox"/> A	+\$0
998	ebony ash <input type="checkbox"/> A	+\$0

Mantle Sofa

- SR3AL
- SR3AN
- SR3AP
- SR3AR
- SR3CL
- SR3CR
- SR3NN
- SR3NP



Product Information

Description

This sofa has a fire-retardant free foam and down topper with a solid wood base.

Notes

Specify left and right from a seated viewpoint.

Customer's Own Material (COM) requires the following yardage:

Type—Total—Seat Frame & Back—Seat and Optional Arm & Back Pillows

SR3CLAN	14	10 1/2	3 1/2
SR3CLAP	21	10 1/2	10 1/2
SR3CLNN	12 3/4	9 1/4	3 1/2
SR3CLNP	19 3/4	9 1/4	10 1/2
SR3CRAN	14	10 1/2	3 1/2
SR3CRAP	21	10 1/2	10 1/2
SR3CRNP	19 3/4	9 1/4	10 1/2
SR3NN	11 1/2	8	3 1/2
SR3NP	17	8	9

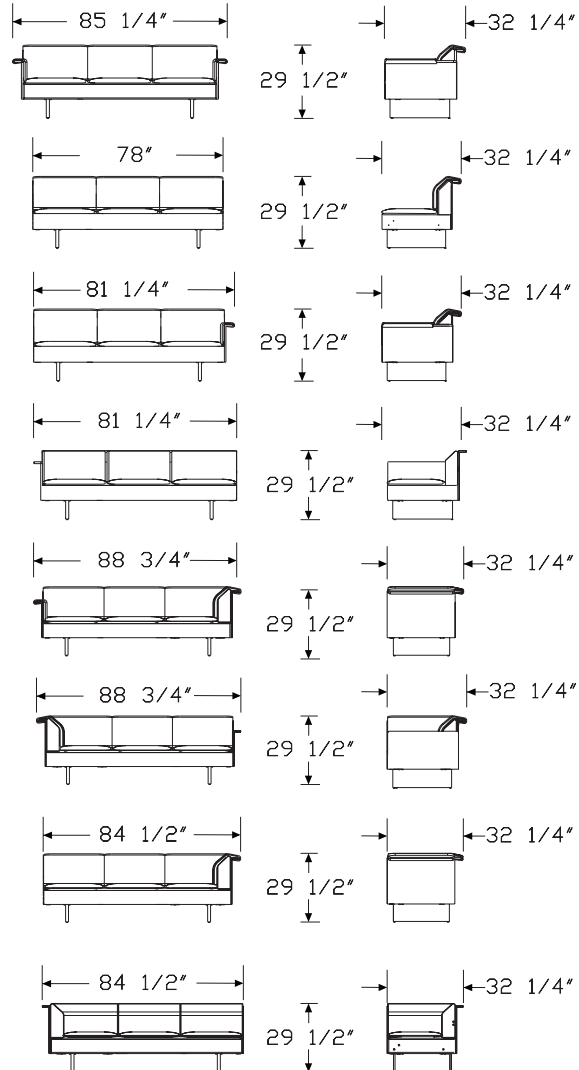
Customer's Own Leather (COL) requires the following square feet:

Type—Total—Seat Frame & Back—Seat and Optional Arm & Back Pillows

SR3CLAN	252	189	63
SR3CLAP	378	189	189
SR3CLNN	229 1/2	166 1/2	63
SR3CLNP	355 1/2	166 1/2	189
SR3CRAN	252	189	63
SR3CRAP	378	189	189
SR3CRNP	355 1/2	166 1/2	189
SR3NN	207	144	63
SR3NP	306	144	162

See Order Information in appendices for more information.

Dimensions



Specification Information

Step 1.

SR3 A

Step 2. Arms

- A arms A
- AL arm left, armless right A
- AR arm right, armless left A
- CLA corner left, arm right A
- CLN corner left, armless right A
- CRA corner right, arm left A
- CRN corner right, armless left A
- N armless A

Step 3. Pillows

- N no arm or back pillows A
- P arm and back pillows A

Step 4. Base

- W wood base A

Prices for Steps 1-4.

SR3AN W	\$6958
SR3AP W	\$8729
	W
SR3AL N	\$6617
P	\$8117
SR3AR N	\$6617
P	\$8117
SR3CLA N	\$7094
P	\$8865
SR3CLN N	\$6413
P	\$8184
SR3CRA N	\$7094
P	\$8865
SR3CRN N	\$6413
P	\$8184
SR3NN W	\$6208

SR3NP W \$7502

Step 5. Seat Frame and Back Upholstery

For armless (N)

Price Category 1	+\$0
Price Category 3	+\$568
Price Category (Geiger) 4	+\$698
Price Category 5	+\$1014
Price Category (Geiger) 5	+\$1014
Price Category (Geiger) 7	+\$1646
Price Category (Geiger) 8	+\$2512
Price Category (Geiger) 9	+\$3116
Price Category (Geiger) 10	+\$3590
Price Category 11	+\$4018
Price Category (Geiger) D	+\$679
Price Category (Geiger) COM <input type="checkbox"/> A	+\$0

For arms (A)

Price Category 1	+\$0
Price Category 3	+\$769
Price Category (Geiger) 4	+\$946
Price Category 5	+\$1374
Price Category (Geiger) 5	+\$1374
Price Category (Geiger) 7	+\$2231
Price Category (Geiger) 8	+\$3402
Price Category (Geiger) 9	+\$4222
Price Category (Geiger) 10	+\$4864
Price Category 11	+\$5443
Price Category (Geiger) D	+\$920
Price Category (Geiger) COM <input type="checkbox"/> A	+\$0

For arm left, armless right (AL) or arm right, armless left (AR)

Price Category 1	+\$0
Price Category 3	+\$678
Price Category (Geiger) 4	+\$833
Price Category 5	+\$1211
Price Category (Geiger) 5	+\$1211
Price Category (Geiger) 7	+\$1966
Price Category (Geiger) 8	+\$2998
Price Category (Geiger) 9	+\$3719
Price Category (Geiger) 10	+\$4285
Price Category 11	+\$4795
Price Category (Geiger) D	+\$811
Price Category (Geiger) COM <input type="checkbox"/> A	+\$0

<i>For corner left, armless right (CLN) or corner right, armless left (CRN)</i>	
Price Category 1	+\$0
Price Category 3	+\$659
Price Category (Geiger) 4	+\$810
Price Category 5	+\$1177
Price Category (Geiger) 5	+\$1177
Price Category (Geiger) 7	+\$1912
Price Category (Geiger) 8	+\$2916
Price Category (Geiger) 9	+\$3618
Price Category (Geiger) 10	+\$4169
Price Category 11	+\$4666
Price Category (Geiger) D	+\$788
Price Category (Geiger) COM [A]	+\$0

<i>For corner left, arm right (CLA) or corner right, arm left (GRA)</i>	
Price Category 1	+\$0
Price Category 3	+\$751
Price Category (Geiger) 4	+\$923
Price Category 5	+\$1342
Price Category (Geiger) 5	+\$1342
Price Category (Geiger) 7	+\$2178
Price Category (Geiger) 8	+\$3322
Price Category (Geiger) 9	+\$4121
Price Category (Geiger) 10	+\$4748
Price Category 11	+\$5314
Price Category (Geiger) D	+\$899
Price Category (Geiger) COM [A]	+\$0

Step 6. Seat and Optional Arm and Back Pillows Upholstery

<i>For armless (N) with no arm or back pillows (N)</i>	
Price Category 1	+\$0
Price Category 3	+\$239
Price Category (Geiger) 4	+\$293
Price Category 5	+\$426
Price Category (Geiger) 5	+\$426
Price Category (Geiger) 7	+\$691
Price Category (Geiger) 8	+\$1054
Price Category (Geiger) 9	+\$1307
Price Category (Geiger) 10	+\$1506
Price Category 11	+\$1685
Price Category (Geiger) D	+\$286
Price Category (Geiger) COM [A]	+\$0

<i>For armless (N) with arm and back pillows (P)</i>	
Price Category 1	+\$0
Price Category 3	+\$641
Price Category (Geiger) 4	+\$788
Price Category 5	+\$1145
Price Category (Geiger) 5	+\$1145
Price Category (Geiger) 7	+\$1859
Price Category (Geiger) 8	+\$2836
Price Category (Geiger) 9	+\$3518
Price Category (Geiger) 10	+\$4054
Price Category 11	+\$4536
Price Category (Geiger) D	+\$767
Price Category (Geiger) COM [A]	+\$0

<i>For arms (A) with no arm or back pillows (N)</i>	
Price Category 1	+\$0
Price Category 3	+\$239
Price Category (Geiger) 4	+\$293
Price Category 5	+\$426
Price Category (Geiger) 5	+\$426
Price Category (Geiger) 7	+\$691
Price Category (Geiger) 8	+\$1054
Price Category (Geiger) 9	+\$1307
Price Category (Geiger) 10	+\$1506
Price Category 11	+\$1685
Price Category (Geiger) D	+\$286
Price Category (Geiger) COM [A]	+\$0

<i>For arms (A) with arm and back pillows (P)</i>	
Price Category 1	+\$0
Price Category 3	+\$641
Price Category (Geiger) 4	+\$788
Price Category 5	+\$1145
Price Category (Geiger) 5	+\$1145
Price Category (Geiger) 7	+\$1859
Price Category (Geiger) 8	+\$2836
Price Category (Geiger) 9	+\$3518
Price Category (Geiger) 10	+\$4054
Price Category 11	+\$4536
Price Category (Geiger) D	+\$767
Price Category (Geiger) COM [A]	+\$0

For arm left, armless right (AL) or arm right, armless left (AR) with no arm or back pillows (N)

Price Category 1	+\$0
Price Category 3	+\$239
Price Category (Geiger) 4	+\$293
Price Category 5	+\$426
Price Category (Geiger) 5	+\$426
Price Category (Geiger) 7	+\$691
Price Category (Geiger) 8	+\$1054
Price Category (Geiger) 9	+\$1307
Price Category (Geiger) 10	+\$1506
Price Category 11	+\$1685
Price Category (Geiger) D	+\$286
Price Category (Geiger) COM A	+\$0

For arm left, armless right (AL) or arm right, armless left (AR) with arm and back pillows (P)

Price Category 1	+\$0
Price Category 3	+\$641
Price Category (Geiger) 4	+\$788
Price Category 5	+\$1145
Price Category (Geiger) 5	+\$1145
Price Category (Geiger) 7	+\$1859
Price Category (Geiger) 8	+\$2836
Price Category (Geiger) 9	+\$3518
Price Category (Geiger) 10	+\$4054
Price Category 11	+\$4536
Price Category (Geiger) D	+\$767
Price Category (Geiger) COM A	+\$0

For corner left, armless right (CLN) or corner right, armless left (CRN) with no arm or back pillows (N)

Price Category 1	+\$0
Price Category 3	+\$239
Price Category (Geiger) 4	+\$293
Price Category 5	+\$426
Price Category (Geiger) 5	+\$426
Price Category (Geiger) 7	+\$691
Price Category (Geiger) 8	+\$1054
Price Category (Geiger) 9	+\$1307
Price Category (Geiger) 10	+\$1506
Price Category 11	+\$1685
Price Category (Geiger) D	+\$286
Price Category (Geiger) COM A	+\$0

For corner left, armless right (CLN) or corner right, armless left (CRN) with arm and back pillows (P)

Price Category 1	+\$0
Price Category 3	+\$751
Price Category (Geiger) 4	+\$923
Price Category 5	+\$1342
Price Category (Geiger) 5	+\$1342
Price Category (Geiger) 7	+\$2178
Price Category (Geiger) 8	+\$3322
Price Category (Geiger) 9	+\$4121
Price Category (Geiger) 10	+\$4748
Price Category 11	+\$5314
Price Category (Geiger) D	+\$899
Price Category (Geiger) COM A	+\$0

For corner left, arm right (CLA) or corner right, arm left (CRA) with no arm or back pillows (N)

Price Category 1	+\$0
Price Category 3	+\$239
Price Category (Geiger) 4	+\$293
Price Category 5	+\$426
Price Category (Geiger) 5	+\$426
Price Category (Geiger) 7	+\$691
Price Category (Geiger) 8	+\$1054
Price Category (Geiger) 9	+\$1307
Price Category (Geiger) 10	+\$1506
Price Category 11	+\$1685
Price Category (Geiger) D	+\$286
Price Category (Geiger) COM A	+\$0

For corner left, arm right (CLA) or corner right, arm left (CRA) with arm and back pillows (P)

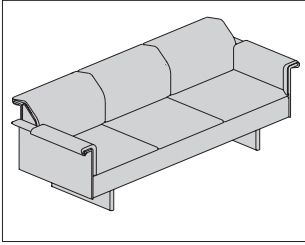
Price Category 1	+\$0
Price Category 3	+\$751
Price Category (Geiger) 4	+\$923
Price Category 5	+\$1342
Price Category (Geiger) 5	+\$1342
Price Category (Geiger) 7	+\$2178
Price Category (Geiger) 8	+\$3322
Price Category (Geiger) 9	+\$4121
Price Category (Geiger) 10	+\$4748
Price Category 11	+\$5314
Price Category (Geiger) D	+\$899
Price Category (Geiger) COM A	+\$0

Mantle Sofa *continued*

Step 7. Base Finish		
678	natural oak <input type="checkbox"/> A	+\$0
6A1	white ash <input type="checkbox"/> A	+\$0
GOU	natural walnut, flat cut, matte sheen <input type="checkbox"/> A	+\$0
978	natural oak <input type="checkbox"/> A	+\$0
998	ebony ash <input type="checkbox"/> A	+\$0
9A1	white ash, quarter cut, low sheen <input type="checkbox"/> A	+\$0

Mantle Leather Sofa

SR3HA
SR3HC
SR3HN



Product Information

Description

This sofa has a fire-retardant free foam and down topper with a solid wood base.

Notes

Specify left and right from a seated viewpoint.

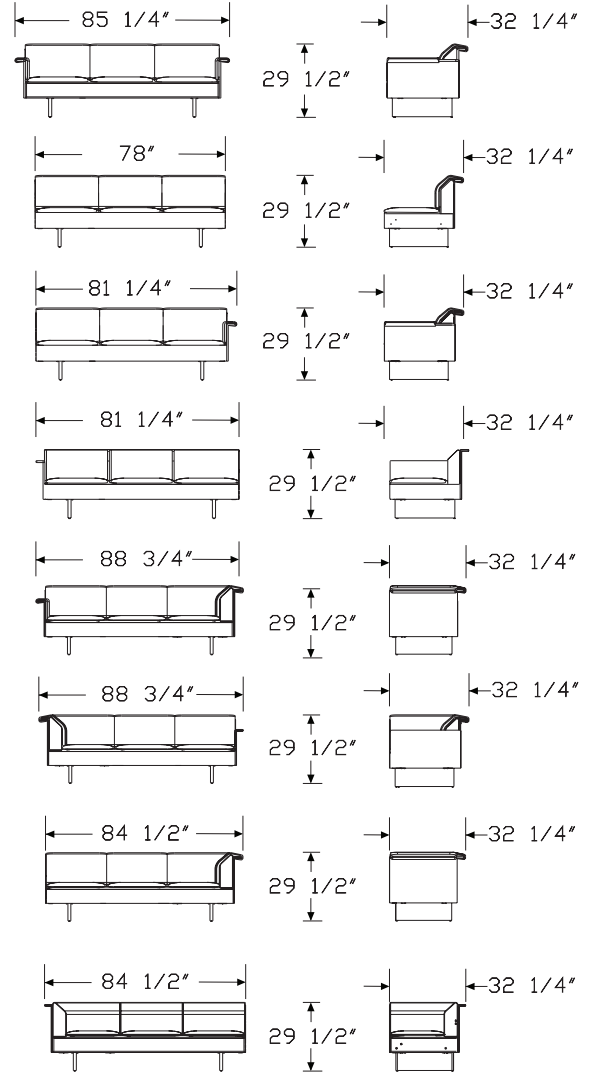
Customer's Own Leather (COL) requires the following square feet:

Type—Total—Seat Frame & Back—Seat and Optional Arm & Back Pillows

SR3HCLAN	252	189	63
SR3HCLAP	378	189	189
SR3HCLNN	229½	166½	63
SR3HCLNP	355½	166½	189
SR3HCRAN	252	189	63
SR3HCRAP	378	189	189
SR3HCRNP	355½	166½	189
SR3HNN 207	144	63	
SR3HNP 306	144	162	

See Order Information in appendices for more information.

Dimensions



Specification Information

Step 1.

SR3H A

Step 2. Arms

- A arms A
- AL arm left, armless right A
- AR arm right, armless left A
- CLA corner left, arm right A
- CLN corner left, armless right A
- CRA corner right, arm left A
- CRN corner right, armless left A
- N armless A

Step 3. Pillows

- N no arm or back pillows A
- P arm and back pillows A

Step 4. Base

- W wood base A

Prices for Steps 1-4.

	W
SR3HA N	\$6958
P	\$8729
SR3HAL N	\$6617
P	\$8117
SR3HAR N	\$6617
P	\$8117
SR3HCLA N	\$7094
P	\$8865
SR3HCLN N	\$6413
P	\$8184
SR3HCRA N	\$7094
P	\$8865
SR3HCRN N	\$6413
P	\$8184
SR3HN N	\$6208
P	\$7502

Step 5. Seat Frame and Back Upholstery

For armless (N)

Price Category (Geiger) 10	+\$3588
Price Category (Geiger) V	+\$9199
Price Category (Geiger) COL <input type="checkbox"/> A	+\$698

For arms (A)

Price Category (Geiger) 10	+\$4862
Price Category (Geiger) V	+\$12464
Price Category (Geiger) COL <input type="checkbox"/> A	+\$945

For arm left, armless right (AL) or arm right, armless left (AR)

Price Category (Geiger) 10	+\$4283
Price Category (Geiger) V	+\$10980
Price Category (Geiger) COL <input type="checkbox"/> A	+\$833

For corner left, armless right (CLN) or corner right, armless left (CRN)

Price Category (Geiger) 10	+\$4167
Price Category (Geiger) V	+\$10683
Price Category (Geiger) COL <input type="checkbox"/> A	+\$810

For corner left, arm right (CLA) or corner right, arm left (CRA)

Price Category (Geiger) 10	+\$4746
Price Category (Geiger) V	+\$12167
Price Category (Geiger) COL <input type="checkbox"/> A	+\$945

Step 6. Seat and Optional Arm and Back Pillows Upholstery

For armless (N) with no arm or back pillows (N)

Price Category (Geiger) 10	+\$1505
Price Category (Geiger) V	+\$3858
Price Category (Geiger) COL <input type="checkbox"/> A	+\$293

For armless (N) with arm and back pillows (P)

Price Category (Geiger) 10	+\$4051
Price Category (Geiger) V	+\$10386
Price Category (Geiger) COL <input type="checkbox"/> A	+\$788

For arms (A) with no arm or back pillows (N)

Price Category (Geiger) 10	+\$1505
Price Category (Geiger) V	+\$3858
Price Category (Geiger) COL <input type="checkbox"/> A	+\$293

Mantle Leather Sofa *continued*

For arms (A) with arm and back pillows (P)

Price Category (Geiger) 10	+\$4051
Price Category (Geiger) V	+\$10386
Price Category (Geiger) COL [A]	+\$788

For arm left, armless right (AL) or arm right, armless left (AR) with no arm or back pillows (N)

Price Category (Geiger) 10	+\$1505
Price Category (Geiger) V	+\$3858
Price Category (Geiger) COL [A]	+\$293

For arm left, armless right (AL) or arm right, armless left (AR) with arm and back pillows (P)

Price Category (Geiger) 10	+\$4051
Price Category (Geiger) V	+\$10386
Price Category (Geiger) COL [A]	+\$788

For corner left, armless right (CLN) or corner right, armless left (CRN) with no arm or back pillows (N)

Price Category (Geiger) 10	+\$1505
Price Category (Geiger) V	+\$3858
Price Category (Geiger) COL [A]	+\$293

For corner left, armless right (CLN) or corner right, armless left (CRN) with arm and back pillows (P)

Price Category (Geiger) 10	+\$4746
Price Category (Geiger) V	+\$12167
Price Category (Geiger) COL [A]	+\$945

For corner left, arm right (CLA) or corner right, arm left (CRA) with no arm or back pillows (N)

Price Category (Geiger) 10	+\$1505
Price Category (Geiger) V	+\$3858
Price Category (Geiger) COL [A]	+\$293

For corner left, arm right (CLA) or corner right, arm left (CRA) with arm and back pillows (P)

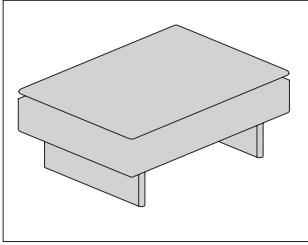
Price Category (Geiger) 10	+\$4746
Price Category (Geiger) V	+\$12167
Price Category (Geiger) COL [A]	+\$945

Step 7. Base Finish

6A1	white ash [A]	+\$0
678	natural oak [A]	+\$0
GOU	natural walnut, flat cut, matte sheen [A]	+\$0
9A1	white ash, quarter cut, low sheen [A]	+\$0
978	natural oak [A]	+\$0
998	ebony ash [A]	+\$0

Mantle Ottoman

- SR40W
- SR41W
- SR42W
- SR43W
- SR4LW
- SR4RW



HermanMiller Ancillary-Lounge Seating

Product Information

Description

This ottoman has a fire-retardant free foam and down topper with a solid wood base.

Notes

Customer's Own Material (COM) requires the following yardage:

Type—Total—Seat Frame & Back—Seat and Optional Arm & Back Pillows

SR40W	3½	1¾	1¾
SR41W	3¾	1¾	2
SR42W	5½	2¾	2¾
SR43W	7¼	3½	3¾
SR4LW	4½	2	2½
SR4RW	4½	2	2½

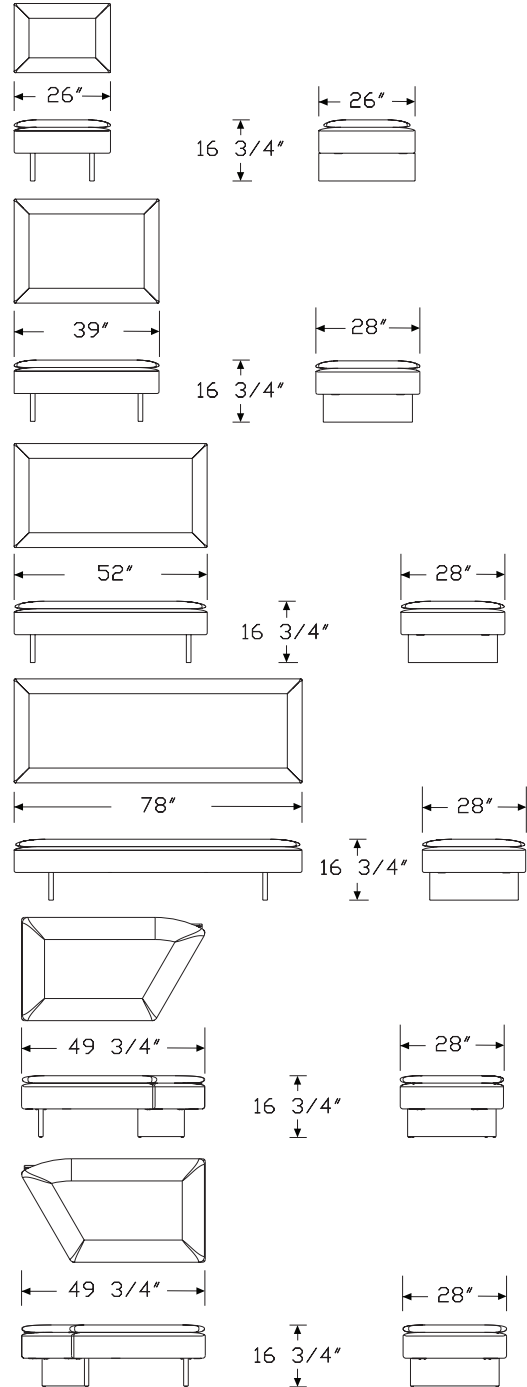
Customer's Own Leather (COL) requires the following square feet:

Type—Total—Seat Frame & Back—Seat and Optional Arm & Back Pillows

SR40W	63	31½	31½
SR41W	67½	31½	36
SR42W	99	49½	49½
SR43W	130½	63	67½
SR4LW	81	36	45
SR4RW	81	36	45

See Order Information in appendices for more information.

Dimensions



Specification Information

Step 1.

SR4

Step 2. Configuration

- 0 ottoman 26x26
- 1 sofa ottoman 28x39
- 2 2 seat bench
- 3 3 seat bench
- L 30 degree open angle bench
- R 30 degree closed angle bench

Step 3. Base

W wood base

Prices for Steps 1-3.

SR40W	\$1954
SR41W	\$2221
SR42W	\$2976
SR43W	\$4087
SR4LW	\$2321
SR4RW	\$2321

Step 4. Frame Upholstery

For ottoman 26x26 (0) or sofa ottoman 28x39 (1)

Price Category 1	+\$0
Price Category 3	+\$110
Price Category (Geiger) 4	+\$136
Price Category 5	+\$197
Price Category (Geiger) 5	+\$197
Price Category (Geiger) 7	+\$319
Price Category (Geiger) 8	+\$486
Price Category (Geiger) 9	+\$604
Price Category (Geiger) 10	+\$695
Price Category 11	+\$778
Price Category (Geiger) D	+\$132
Price Category (Geiger) COM <input type="checkbox"/>	+\$0

For 2 seat bench (2)

Price Category 1	+\$0
Price Category 3	+\$166
Price Category (Geiger) 4	+\$203
Price Category 5	+\$295
Price Category (Geiger) 5	+\$295
Price Category (Geiger) 7	+\$479
Price Category (Geiger) 8	+\$730
Price Category (Geiger) 9	+\$905
Price Category (Geiger) 10	+\$1043
Price Category 11	+\$1166
Price Category (Geiger) D	+\$198
Price Category (Geiger) COM <input type="checkbox"/>	+\$0

For 3 seat bench (3)

Price Category 1	+\$0
Price Category 3	+\$239
Price Category (Geiger) 4	+\$293
Price Category 5	+\$426
Price Category (Geiger) 5	+\$426
Price Category (Geiger) 7	+\$691
Price Category (Geiger) 8	+\$1054
Price Category (Geiger) 9	+\$1307
Price Category (Geiger) 10	+\$1506
Price Category 11	+\$1685
Price Category (Geiger) D	+\$286
Price Category (Geiger) COM <input type="checkbox"/>	+\$0

For 30 degree open angle bench (L) or 30 degree closed angle bench (R)

Price Category 1	+\$0
Price Category 3	+\$128
Price Category (Geiger) 4	+\$158
Price Category 5	+\$229
Price Category (Geiger) 5	+\$229
Price Category (Geiger) 7	+\$372
Price Category (Geiger) 8	+\$568
Price Category (Geiger) 9	+\$704
Price Category (Geiger) 10	+\$811
Price Category 11	+\$907
Price Category (Geiger) D	+\$154
Price Category (Geiger) COM <input type="checkbox"/>	+\$0

Step 5. Seat Upholstery

<i>For ottoman 26x26 (0)</i>	
Price Category 1	+\$0
Price Category 3	+\$110
Price Category (Geiger) 4	+\$136
Price Category 5	+\$197
Price Category (Geiger) 5	+\$197
Price Category (Geiger) 7	+\$319
Price Category (Geiger) 8	+\$486
Price Category (Geiger) 9	+\$604
Price Category (Geiger) 10	+\$695
Price Category 11	+\$778
Price Category (Geiger) D	+\$132
Price Category (Geiger) COM A	+\$0

<i>For sofa ottoman 28x39 (1)</i>	
Price Category 1	+\$0
Price Category 3	+\$128
Price Category (Geiger) 4	+\$158
Price Category 5	+\$229
Price Category (Geiger) 5	+\$229
Price Category (Geiger) 7	+\$372
Price Category (Geiger) 8	+\$568
Price Category (Geiger) 9	+\$704
Price Category (Geiger) 10	+\$811
Price Category 11	+\$907
Price Category (Geiger) D	+\$154
Price Category (Geiger) COM A	+\$0

<i>For 2 seat bench (2)</i>	
Price Category 1	+\$0
Price Category 3	+\$184
Price Category (Geiger) 4	+\$226
Price Category 5	+\$328
Price Category (Geiger) 5	+\$328
Price Category (Geiger) 7	+\$532
Price Category (Geiger) 8	+\$810
Price Category (Geiger) 9	+\$1006
Price Category (Geiger) 10	+\$1158
Price Category 11	+\$1296
Price Category (Geiger) D	+\$220
Price Category (Geiger) COM A	+\$0

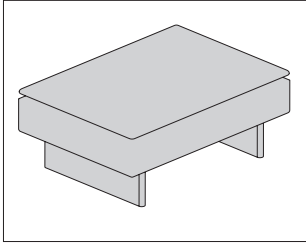
<i>For 3 seat bench (3)</i>	
Price Category 1	+\$0
Price Category 3	+\$257
Price Category (Geiger) 4	+\$316
Price Category 5	+\$458
Price Category (Geiger) 5	+\$458
Price Category (Geiger) 7	+\$744
Price Category (Geiger) 8	+\$1134
Price Category (Geiger) 9	+\$1408
Price Category (Geiger) 10	+\$1621
Price Category 11	+\$1814
Price Category (Geiger) D	+\$307
Price Category (Geiger) COM A	+\$0

<i>For 30 degree open angle bench (L) or 30 degree closed angle bench (R)</i>	
Price Category 1	+\$0
Price Category 3	+\$166
Price Category (Geiger) 4	+\$203
Price Category 5	+\$295
Price Category (Geiger) 5	+\$295
Price Category (Geiger) 7	+\$479
Price Category (Geiger) 8	+\$730
Price Category (Geiger) 9	+\$905
Price Category (Geiger) 10	+\$1043
Price Category 11	+\$1166
Price Category (Geiger) D	+\$198
Price Category (Geiger) COM A	+\$0

Step 6. Base Finish		
678	natural oak A	+\$0
6A1	white ash A	+\$0
GOU	natural walnut, flat cut, matte sheen A	+\$0
978	natural oak A	+\$0
998	ebony ash A	+\$0
9A1	white ash, quarter cut, low sheen A	+\$0

Mantle Leather Ottoman

- SR4H0
- SR4H1
- SR4H2
- SR4H3
- SR4HL
- SR4HR



Product Information

Description

This ottoman has a fire-retardant free foam and down topper with a solid wood base.

Notes

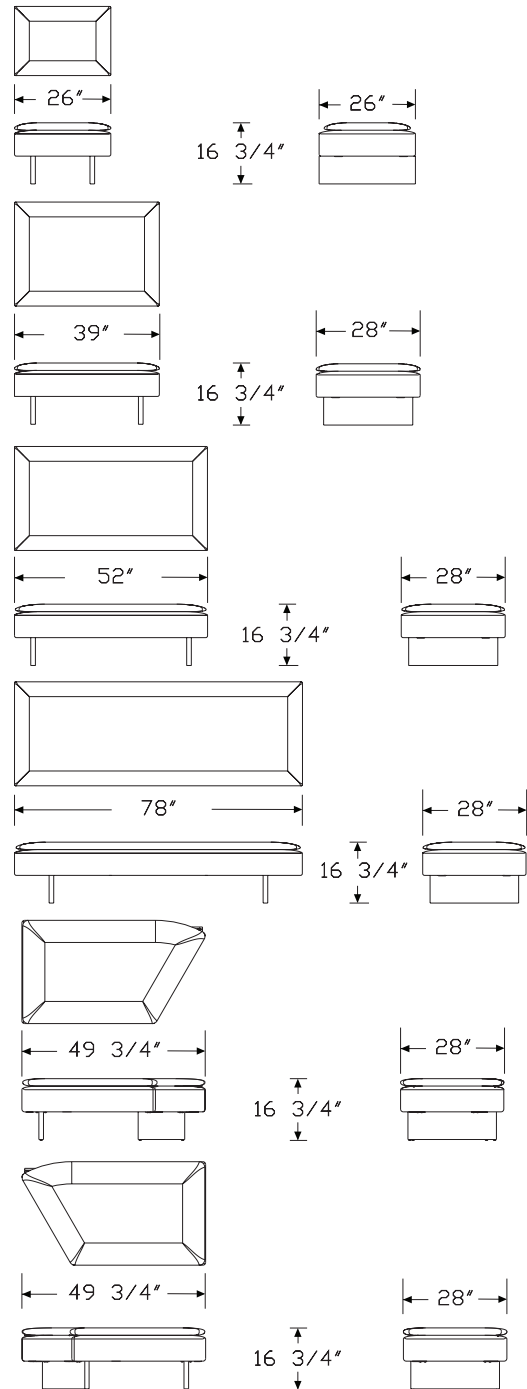
Customer's Own Leather (COL) requires the following square feet:

Type—Total—Seat Frame & Back—Seat and Optional Arm & Back Pillows

SR4H0W	63	31½	31½
SR4H1W	67½	31½	36
SR4H2W	99	49½	49½
SR4H3W	130½	63	67½
SR4HLW	81	36	45
SR4HRW	81	36	45

See Order Information in appendices for more information.

Dimensions



Specification Information

Step 1.

SR4H A

Step 2. Configuration

- 0** ottoman 26x26 A
- 1** sofa ottoman 28x39 A
- 2** 2 seat bench A
- 3** 3 seat bench A
- L** 30 degree open angle bench A
- R** 30 degree closed angle bench A

Step 3. Base

W wood base A

Prices for Steps 1-3.

SR4H0 W	\$1954
SR4H1 W	\$2221
SR4H2 W	\$2976
SR4H3 W	\$4087
SR4HL W	\$2321
SR4HR W	\$2321

Step 4. Frame Upholstery

For ottoman 26x26 (0) or sofa ottoman 28x39 (1)

Price Category (Geiger) 10	+\$695
Price Category (Geiger) V	+\$1781
Price Category (Geiger) COL A	+\$135

For 2 seat bench (2)

Price Category (Geiger) 10	+\$1042
Price Category (Geiger) V	+\$2671
Price Category (Geiger) COL A	+\$203

For 3 seat bench (3)

Price Category (Geiger) 10	+\$1505
Price Category (Geiger) V	+\$3858
Price Category (Geiger) COL A	+\$293

For 30 degree open angle bench (L) or 30 degree closed angle bench (R)

Price Category (Geiger) 10	+\$810
Price Category (Geiger) V	+\$2077
Price Category (Geiger) COL A	+\$158

Step 5. Seat Upholstery

For ottoman 26x26 (0)

Price Category (Geiger) 10	+\$695
Price Category (Geiger) V	+\$1781
Price Category (Geiger) COL A	+\$135

For sofa ottoman 28x39 (1)

Price Category (Geiger) 10	+\$810
Price Category (Geiger) V	+\$2077
Price Category (Geiger) COL A	+\$158

For 2 seat bench (2)

Price Category (Geiger) 10	+\$1158
Price Category (Geiger) V	+\$2968
Price Category (Geiger) COL A	+\$225

For 3 seat bench (3)

Price Category (Geiger) 10	+\$1621
Price Category (Geiger) V	+\$4155
Price Category (Geiger) COL A	+\$315

For 30 degree open angle bench (L) or 30 degree closed angle bench (R)

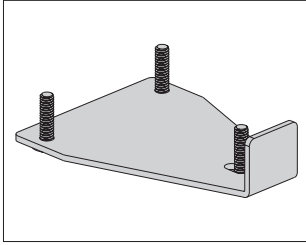
Price Category (Geiger) 10	+\$1042
Price Category (Geiger) V	+\$2671
Price Category (Geiger) COL A	+\$203

Step 6. Base Finish

678	natural oak A	+\$0
6A1	white ash A	+\$0
GOU	natural walnut, flat cut, matte sheen A	+\$0
978	natural oak A	+\$0
998	ebony ash A	+\$0
9A1	white ash, quarter cut, low sheen A	+\$0

Mantle Ganging Plate

SR5

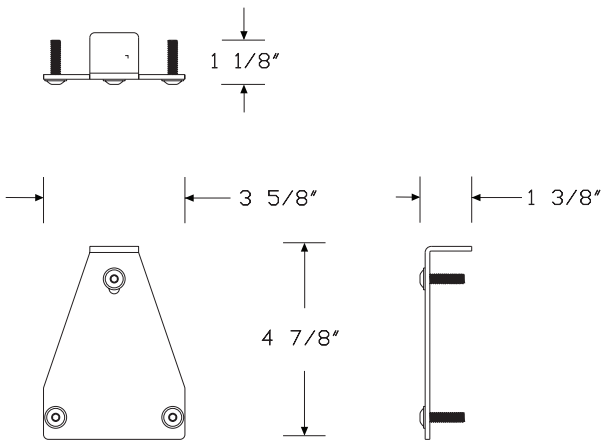


Product Information

Description

This ganging plate kit includes 2 metal plates and attachment hardware.

Dimensions



Specification Information

Step 1.

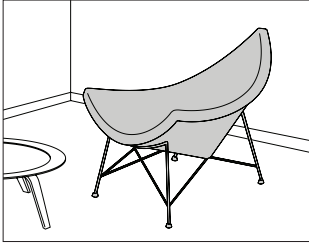
SR5 A

\$109

HermanMiller Ancillary-Lounge Seating

Nelson™ Coconut Lounge Chair
Leather

5569L.



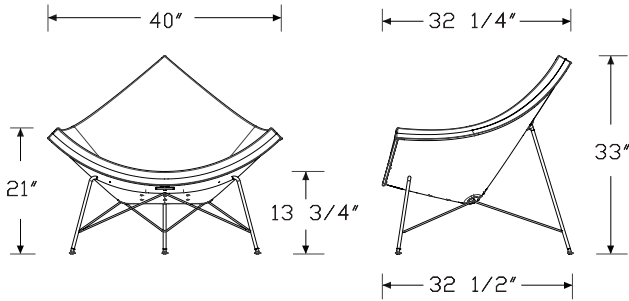
HermanMiller Ancillary--Lounge Seating

Product Information

Description

This chair has a 1-piece foam cushion upholstered in leather, a white molded plastic shell, and a polished chrome or white base.

Dimensions



Specification Information

Step 1.

5569L. [A] \$4928

Step 2. Base Option

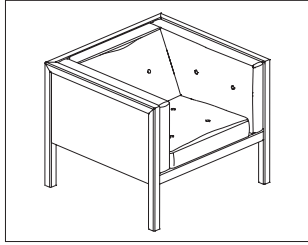
47 trivalent chrome [A] +\$50
91 white (CP) [A] +\$0

Step 3. Upholstery

Price Category 8 +\$1500
 Price Category 11 +\$1980

Nelson Cube Lounge Chair

NCU1



Product Information

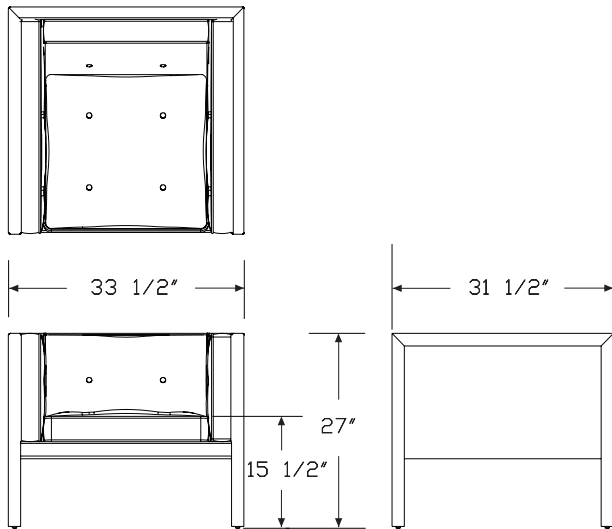
Description

This lounge chair has 1 seat cushion, 1 back cushion and 2 side cushions. Internal cushions are high-resiliency foam with Dacron® wrap. The outer frame is exposed hardwood in oak, walnut or ebony finish. The internal frame is steel reinforced solid hardwood.

Notes

External wood frame is natural hardwood. Similar products ordered in multiples or dissimilar products ordered separately should be expected to have variation in both grain and color characteristics; no two products will look exactly alike.

Dimensions



Specification Information

Step 1.

NCU1 A \$4520

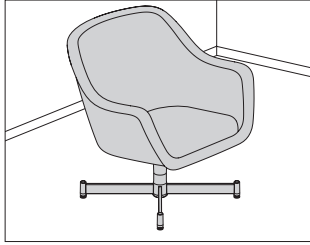
Step 2. Frame Finish

EN ebony A +\$0
OU walnut A +\$100
WHN natural white oak A +\$0

Step 3. Upholstery

Price Category 3 +\$91
 Price Category 7 +\$545
 Price Category 8 +\$716
 Price Category 11 +\$2700
 Price Category 12 +\$3091
 Price Category C +\$151
 Price Category D +\$200
 Price Category L +\$1516

Bumper High Arm Lounge Chair, 4 Star SBR4H



HermanMiller Ancillary-Lounge Seating

Product Information

Description

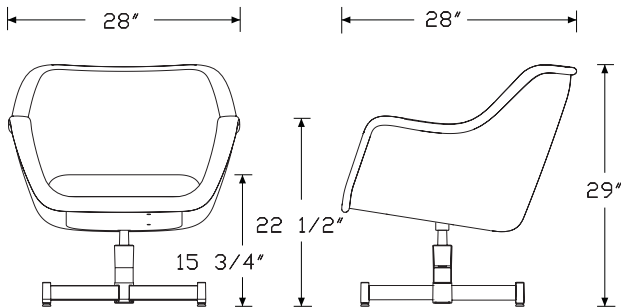
This lounge chair has upholstered inner and outer shells and arm cap, each made from one continuous piece of fabric or leather, and an upholstered seat cushion. The frame is rigid molded urethane with foam inserts. The 4-star, swivel-return base is polished cast aluminum with black glides.

Notes

Customer's Own Material (COM) requires 2½ yards for the shell inside and outside, an additional 1¾ yards for the arm cap and cushion, or 4¼ yards when specifying entire chair in the same fabric. See Order Information in Appendices.

Customer's Own Leather (COL) requires 45 square feet for the shell inside and outside, an additional 31½ square feet for the arm cap and cushion, or 76½ yards when specifying entire chair in the same leather. See Order Information in Appendices.

Dimensions



Specification Information

Step 1.

SBR4H [A] \$2766

Step 2. Shell Upholstery

Price Category 1	+\$103
Price Category (Geiger) 1	+\$103
Price Category 2	+\$123
Price Category (Geiger) 2	+\$123
Price Category 3	+\$153
Price Category (Geiger) 3	+\$153
Price Category 4	+\$188
Price Category (Geiger) 4	+\$188
Price Category 5	+\$273
Price Category (Geiger) 5	+\$273
Price Category (Geiger) 7	+\$443
Price Category (Geiger) 8	+\$675
Price Category 9	+\$838
Price Category (Geiger) 9	+\$838
Price Category (Geiger) 10	+\$965
Price Category (Geiger) 11	+\$1080
Price Category (Geiger) 14	+\$1415
Price Category (Geiger) C	+\$138
Price Category (Geiger) D	+\$183
Price Category (Geiger) E	+\$220
Price Category F	+\$265
Price Category (Geiger) F	+\$265
Price Category G	+\$360
Price Category (Geiger) G	+\$360
Price Category (Geiger) H	+\$448
Price Category (Geiger) I	+\$540
Price Category (Geiger) J	+\$633
Price Category (Geiger) K	+\$725
Price Category (Geiger) L	+\$818
Price Category (Geiger) M	+\$910
Price Category (Geiger) N	+\$1003
Price Category (Geiger) O	+\$1095
Price Category (Geiger) P	+\$1185
Price Category (Geiger) Q	+\$1368
Price Category (Geiger) R	+\$1908
Price Category (Geiger) S	+\$2048
Price Category (Geiger) T	+\$2190
Price Category (Geiger) U	+\$2333
Price Category (Geiger) X	+\$2758
Price Category (Geiger) Y	+\$2898
Price Category (Geiger) Z	+\$3040
Price Category (Geiger) COL	+\$180

Bumper High Arm Lounge Chair, 4 Star *continued*

Price Category (Geiger) COM A +\$0

Step 3. Arm Cap and Cushion Upholstery

Price Category 1	+\$72
Price Category (Geiger) 1	+\$72
Price Category 2	+\$86
Price Category (Geiger) 2	+\$86
Price Category 3	+\$107
Price Category (Geiger) 3	+\$107
Price Category 4	+\$132
Price Category (Geiger) 4	+\$132
Price Category 5	+\$191
Price Category (Geiger) 5	+\$191
Price Category (Geiger) 7	+\$310
Price Category (Geiger) 8	+\$473
Price Category 9	+\$587
Price Category (Geiger) 9	+\$587
Price Category (Geiger) 10	+\$676
Price Category (Geiger) 11	+\$756
Price Category (Geiger) 14	+\$991
Price Category (Geiger) C	+\$97
Price Category (Geiger) D	+\$128
Price Category (Geiger) E	+\$154
Price Category F	+\$186
Price Category (Geiger) F	+\$186
Price Category G	+\$252
Price Category (Geiger) G	+\$252
Price Category (Geiger) H	+\$314
Price Category (Geiger) I	+\$378
Price Category (Geiger) J	+\$443
Price Category (Geiger) K	+\$508
Price Category (Geiger) L	+\$573
Price Category (Geiger) M	+\$637
Price Category (Geiger) O	+\$767
Price Category (Geiger) P	+\$830
Price Category (Geiger) Q	+\$958
Price Category (Geiger) R	+\$1336
Price Category (Geiger) S	+\$1434
Price Category (Geiger) X	+\$1931
Price Category (Geiger) Y	+\$2029
Price Category (Geiger) Z	+\$2128
Price Category (Geiger) COL <input type="checkbox"/> A	+\$126
Price Category (Geiger) COM <input type="checkbox"/> A	+\$0

Step 4. Base Finish

CD polished aluminum A +\$0

Full Loop Lounge Chair

SL3O
SL3OW
SL3W
SL3WW



HermanMiller Ancillary-Lounge Seating

Product Information

Description

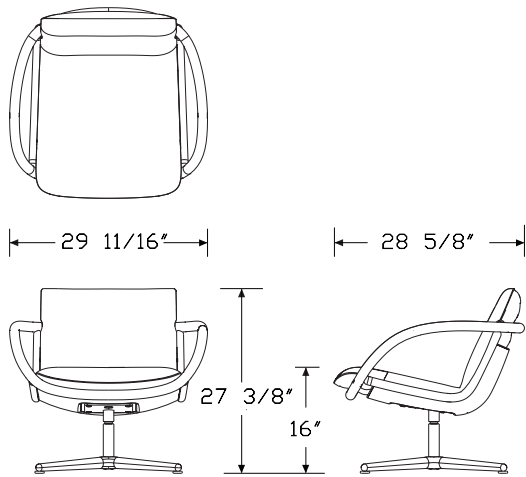
This lounge chair has upholstered inner and outer shells and solid wood arms. Frame is rigid molded urethane with foam inserts. The 4-star, fixed-height, swivel-return base is available in black or polished cast aluminum with black glides.

Notes

Customers' Own Material (COM) requires 2¾ yards. Customers' Own Leather (COL) requires 49½ square feet, and arm wrap requires 1 square foot.

See Order Information in appendices.

Dimensions



Specification Information

Step 1.

SL3 A

Step 2. Wood Arms

O oak, no wrap A

W walnut, no wrap A

OW oak, with wrap A

WW walnut, with wrap A

Prices for Steps 1-2.

SL3O	\$3137
SL3W	\$3753
SL3OW	\$3403
SL3WW	\$4020

Step 3. Upholstery

Price Category (Geiger) COM <input type="checkbox"/> A	+\$0
Price Category (Geiger) COL <input type="checkbox"/> A	+\$248
Price Category (Geiger) 2	+\$162
Price Category (Geiger) 3	+\$0
Price Category 3	+\$201
Price Category (Geiger) 4	+\$360
Price Category (Geiger) 5	+\$360
Price Category (Geiger) 7	+\$583
Price Category (Geiger) 8	+\$891
Price Category (Geiger) 9	+\$1106
Price Category (Geiger) 10	+\$1273
Price Category (Geiger) 11	+\$1425

Step 4. Wood Finish

For oak, no wrap (O) or oak, with wrap (OW)

WHN Oak, Matte <input type="checkbox"/> A	+\$0
EN Ebonized Oak, Matte <input type="checkbox"/> A	+\$0

For walnut, no wrap (W) or walnut, with wrap (WW)

OU walnut <input type="checkbox"/> A	+\$0
--------------------------------------	------

Step 5. Arm Wrap Leather

For oak, with wrap (OW) or walnut, with wrap (WW)

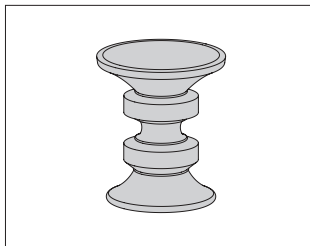
Price Category (Geiger) 11	+\$0
----------------------------	------

Step 6. Base Finish

BK black <input type="checkbox"/> A	+\$0
CD polished aluminum <input type="checkbox"/> A	+\$0

Eames® Turned Stool

- 411EN
- 411OU
- 411WH
- 412EN
- 412OU
- 412WH
- 413EN
- 413OU
- 413WH
- 414EN
- 414OU
- 414WH

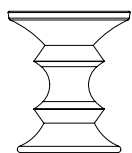


Product Information

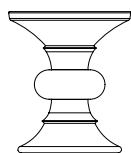
Description

This solid wood stool is available with 4 base shapes in walnut, ebony or white oak.

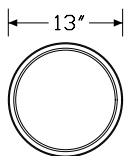
Dimensions



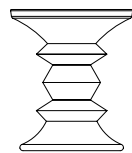
411



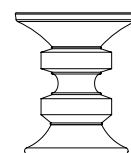
412



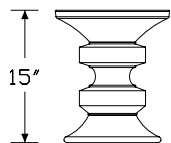
13"



413



414



15"

Specification Information

Step 1.

41 A

Step 2. Shape

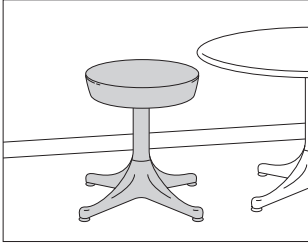
- 1 a shape A
- 2 b shape A
- 3 c shape A
- 4 d shape A

Step 3. Finish

- EN ebony A
- OU walnut A
- WHN white oak A

Prices for Steps 1-3.

411EN	\$1433
411OU	\$1849
411WHN	\$1777
412EN	\$1433
412OU	\$1849
412WHN	\$1777
413EN	\$1433
413OU	\$1849
413WHN	\$1777
414EN	\$1433
414OU	\$1849
414WHN	\$1777



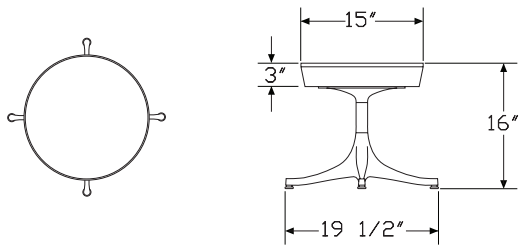
Product Information

Description
 This 16"-high stool has a 4-star, aluminum base with adjustable glides and a 3"-thick upholstered foam seat.

Notes

Customers Own Material (COM) requires 1 yard.

Dimensions



HermanMiller Ancillary-Stools

Specification Information

Step 1.

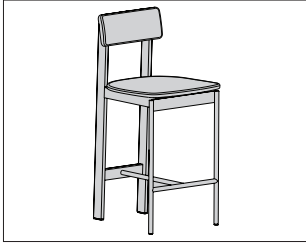
PS16 **A** \$1268

Step 2. Base Finish

91	white (CP)	<input type="checkbox"/> A	+\$0
98	studio white (CP)	<input type="checkbox"/> A	+\$0
BK	black	<input type="checkbox"/> A	+\$0
L	polished aluminum	<input type="checkbox"/> A	+\$0

Step 3. Fabric

Price Category 1	+\$0
Price Category 2	+\$36
Price Category 3	+\$68
Price Category 4	+\$103
Price Category (Geiger) 4	+\$103
Price Category 5	+\$160
Price Category (Geiger) 5	+\$121
Price Category (Geiger) 6	+\$134
Price Category 7	+\$217
Price Category (Geiger) 7	+\$217
Price Category 8	+\$247
Price Category 9	+\$247
Price Category (Geiger) 9	+\$247
Price Category 10	+\$281
Price Category (Geiger) 10	+\$235
Price Category 11	+\$410
Price Category C	+\$68
Price Category D	+\$71
Price Category F	+\$110
Price Category G	+\$143
Price Category H	+\$174
Price Category I	+\$204
Price Category K	+\$265
Price Category L	+\$296
Price Category M	+\$326
Price Category N	+\$358
Price Category P	+\$398
Price Category Q	+\$450
Price Category X	+\$1162
Price Category Y	+\$1223



Product Information

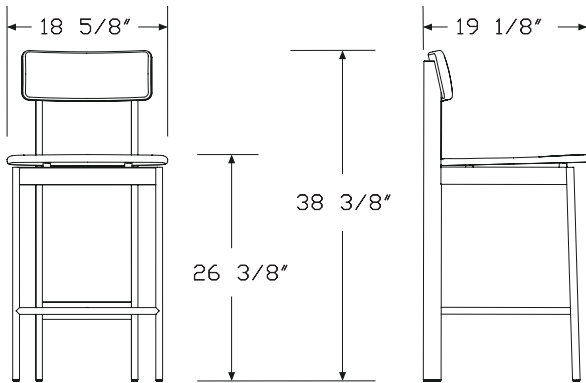
Description

This stool has a steel tube frame with a choice of solid wood, cork, or upholstered seat and back. Stool comes standard with polymer glides suitable for multiple floor surfaces.

Notes

Customer's Own Material (COM) requires 3/4 yards for the seat and 3/4 yards for the back. Customer's Own Leather (COL) requires 13 1/2 square feet for the seat and 13 1/2 square feet for the back. See Order Information in appendices.

Dimensions



Specification Information

Step 1.

LN20 A

Step 2. Frame

N no arm A

Step 3. Seat

O oak A

W walnut A

U upholstered A

C cork A

Step 4. Back

O oak A

W walnut A

U upholstered A

C cork A

Prices for Steps 1-4.

		O	W	U	C
LN20N	O	\$1490	1625	1564	1236
	W	\$1625	1759	1699	1371
	U	\$1564	1699	1637	1311
	C	\$1236	1371	1311	984

Step 5. Frame Finish

BK black A +\$0

WN warm grey A +\$0

DB3 glacier A +\$0

Step 6. Seat Finish

For oak (O)

WHN white oak A +\$0

Step 7. Seat Finish

For walnut (W)

OU walnut A +\$0

Step 8. Seat Finish

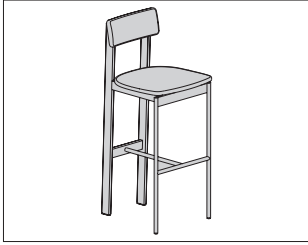
For cork (C)

LTC light cork A +\$0

Step 9. Seat Fabric	
<i>For upholstered (U)</i>	
Price Category 7	+\$133
Price Category 1 <input type="checkbox"/> A	+\$0
Price Category 2	+\$44
Price Category 3	+\$55
Price Category 4	+\$68
Price Category (Geiger) 4	+\$68
Price Category (Geiger) 5	+\$98
Price Category (Geiger) 7	+\$160
Price Category 9	+\$302
Price Category (Geiger) 10	+\$348
Price Category 11	+\$389
Price Category (Geiger) 11	+\$389
Price Category (Geiger) 14	+\$510
Price Category (Geiger) C	+\$50
Price Category (Geiger) D	+\$66
Price Category (Geiger) G	+\$96
Price Category (Geiger) J	+\$228

Step 10. Back Finish	
<i>For oak (O)</i>	
WHN white oak <input type="checkbox"/> A	+\$0
<i>For walnut (W)</i>	
OU walnut <input type="checkbox"/> A	+\$0
<i>For cork (C)</i>	
LTC light cork <input type="checkbox"/> A	+\$0

Step 11. Back Fabric	
<i>For upholstered (U)</i>	
Price Category 7	+\$133
Price Category 1 <input type="checkbox"/> A	+\$0
Price Category 2	+\$44
Price Category 3	+\$55
Price Category 4	+\$68
Price Category (Geiger) 4	+\$68
Price Category (Geiger) 5	+\$98
Price Category (Geiger) 7	+\$160
Price Category 9	+\$302
Price Category (Geiger) 10	+\$348
Price Category 11	+\$389
Price Category (Geiger) 11	+\$389
Price Category (Geiger) 14	+\$510
Price Category (Geiger) C	+\$50
Price Category (Geiger) D	+\$66
Price Category (Geiger) G	+\$96
Price Category (Geiger) J	+\$228



Product Information

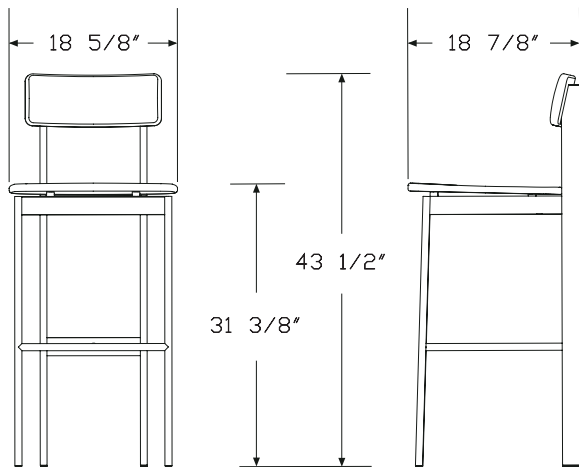
Description

This stool has a steel tube frame with a choice of solid wood, cork, or upholstered seat and back. Stool comes standard with polymer glides suitable for multiple floor surfaces.

Notes

Customer's Own Material (COM) requires 3/4 yards for the seat and 3/4 yards for the back. Customer's Own Leather (COL) requires 13 1/2 square feet for the seat and 13 1/2 square feet for the back. See Order Information in appendices.

Dimensions



Specification Information

Step 1.

LN30 A

Step 2. Frame

N no arm A

Step 3. Seat

O oak A

W walnut A

U upholstered A

C cork A

Step 4. Back

O oak A

W walnut A

U upholstered A

C cork A

Prices for Steps 1-4.

		O	W	U	C
LN30N	O	\$1490	1625	1564	1236
	W	\$1625	1759	1699	1371
	U	\$1564	1699	1637	1311
	C	\$1236	1371	1311	984

Step 5. Frame Finish

BK black A +\$0

WN warm grey A +\$0

DB3 glacier A +\$0

Step 6. Seat Finish

For oak (O)

WHN white oak A +\$0

For walnut (W)

OU walnut A +\$0

For cork (C)

LTC light cork A +\$0

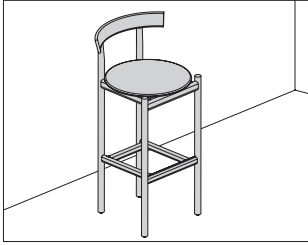
Step 7. Seat Fabric	
<i>For upholstered (U)</i>	
Price Category 1 <input type="checkbox"/> A	+\$0
Price Category 2	+\$44
Price Category 3	+\$55
Price Category 4	+\$68
Price Category (Geiger) 4	+\$68
Price Category (Geiger) 5	+\$98
Price Category 7	+\$133
Price Category (Geiger) 7	+\$160
Price Category 9	+\$302
Price Category (Geiger) 10	+\$348
Price Category 11	+\$389
Price Category (Geiger) 11	+\$389
Price Category (Geiger) 14	+\$510
Price Category (Geiger) C	+\$50
Price Category (Geiger) D	+\$66
Price Category (Geiger) G	+\$96
Price Category (Geiger) J	+\$228

Step 8. Back Finish	
<i>For oak (O)</i>	
WHN white oak <input type="checkbox"/> A	+\$0
<i>For walnut (W)</i>	
OU walnut <input type="checkbox"/> A	+\$0
<i>For cork (C)</i>	
LTC light cork <input type="checkbox"/> A	+\$0

Step 9. Back Fabric	
<i>For upholstered (U)</i>	
Price Category 1 <input type="checkbox"/> A	+\$0
Price Category 2	+\$44
Price Category 3	+\$55
Price Category 4	+\$68
Price Category (Geiger) 4	+\$68
Price Category (Geiger) 5	+\$98
Price Category 7	+\$133
Price Category (Geiger) 7	+\$160
Price Category 9	+\$302
Price Category (Geiger) 10	+\$348
Price Category 11	+\$389
Price Category (Geiger) 11	+\$389
Price Category (Geiger) 14	+\$510
Price Category (Geiger) C	+\$50
Price Category (Geiger) D	+\$66
Price Category (Geiger) G	+\$96
Price Category (Geiger) J	+\$228

Comma Bar Stool

WA30N

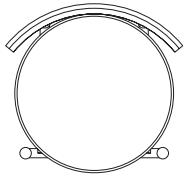


Product Information

Description

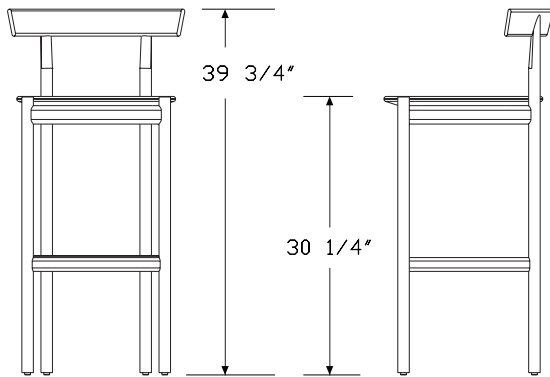
This bar-height stool has a solid wood seat and frame. The back hoop is bent plywood with veneer finish. Optional upholstered seat has a wood core with 1/2" foam covered with textile or leather. All models come standard with nylon glides.

Dimensions



19 1/2"

18 3/8"



39 3/4"

30 1/4"

Specification Information

Step 1.

WA30 A

Step 2. Configuration

N no arms A

Step 3. Seat

U upholstered A

N non-upholstered A

Step 4. Frame and Back

B beech A

O oak A

Prices for Steps 1-4.

		B	O
WA30N	U	\$1529	1722
	N	\$1529	1722

Step 5. Frame and Back Finish

For oak (O)

WHN white oak A +\$0

For beech (B)

BSB blue stained beech A +\$0

RST red stained beech A +\$0

WTS white stained beech A +\$0

YRB black stained beech A +\$0

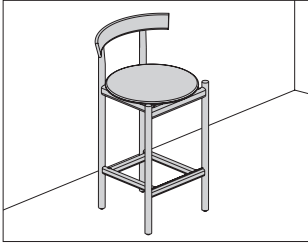
Step 6. Seat Upholstery

For upholstered (U)

Price Category 10M +\$294

Comma Counter Stool

WA20N



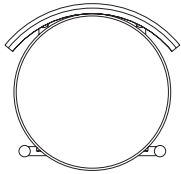
HermanMiller Ancillary-Stools

Product Information

Description

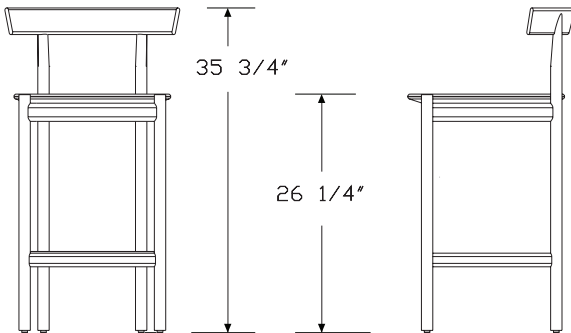
This counter-height stool has a solid wood seat and frame. The back hoop is bent plywood with veneer finish. Optional upholstered seat has a wood core with 1/2" foam covered with textile or leather. All models come standard with nylon glides.

Dimensions



← 19 1/2" →

← 18 3/8" →



Specification Information

Step 1.

WA20 A

Step 2. Configuration

N no arms A

Step 3. Seat

U upholstered A

N non-upholstered A

Step 4. Frame and Back

O oak A

B beech A

Prices for Steps 1-4.

		O	B
WA20N	U	\$1722	1529
	N	\$1722	1529

Step 5. Frame and Back Finish

For oak (O)

WHN white oak A +\$0

For beech (B)

BSB blue stained beech A +\$0

RST red stained beech A +\$0

WTS white stained beech A +\$0

YRB black stained beech A +\$0

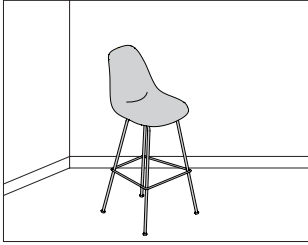
Step 6. Seat Upholstery

For upholstered (U)

Price Category 10M +\$294

Eames® Molded Fiberglass Stool

DFHBX.
DFHCX.

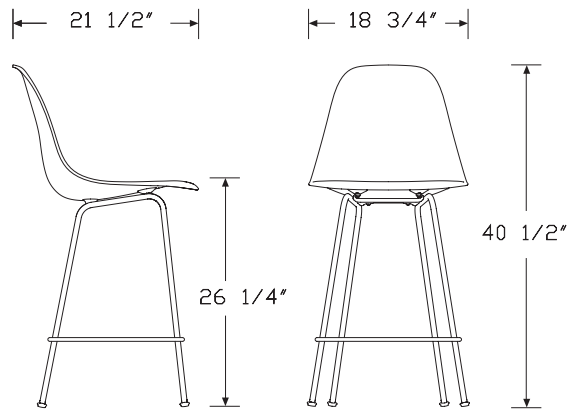


Product Information

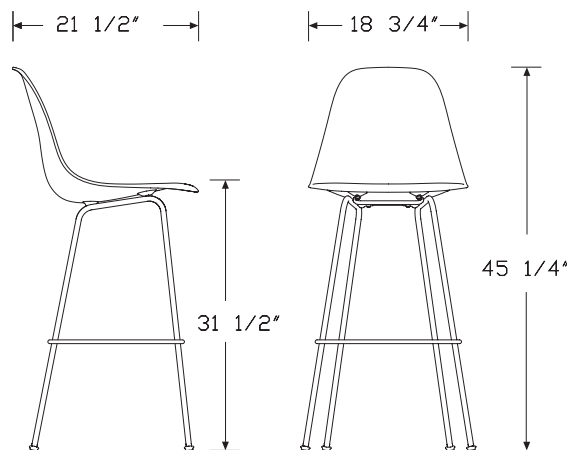
Description

This stool has a single-piece nonupholstered shell with waterfall edges and molded fiberglass seat and flexible back. Standard glides can be ordered with or without felt. Ships assembled.

Dimensions



counter height



bar height

Specification Information

Step 1.

DFH A

Step 2. Base Height

CX. counter height stool

BX. bar height stool

Prices for Steps 1-2.

DFHCX.	\$1276
DFHBX.	\$1308

Step 3. Base Finish

91	white (CP) <input type="checkbox"/> A	+\$0
BK	black	+\$0
47	trivalent chrome	+\$40

Step 4. Seat/Back Finish

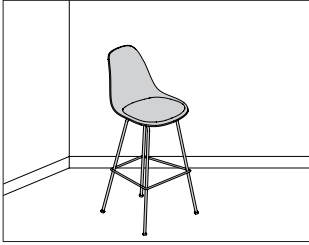
111	parchment	+\$0
112	elephant hide grey	+\$0
114	red orange	+\$0
117	navy blue	+\$0
118	black	+\$0
TCA	terra cotta <input type="checkbox"/> A	+\$0
DKS	dark seafoam <input type="checkbox"/> A	+\$0

Step 5. Glide Option

E7	metal swivel glide <input type="checkbox"/> A	+\$50
E8	standard glide	+\$0
E9	standard glide with felt bottom	+\$25

Eames® Upholstered Molded
Fiberglass Stool

DFHBX.
DFHCX.



Product Information

Description

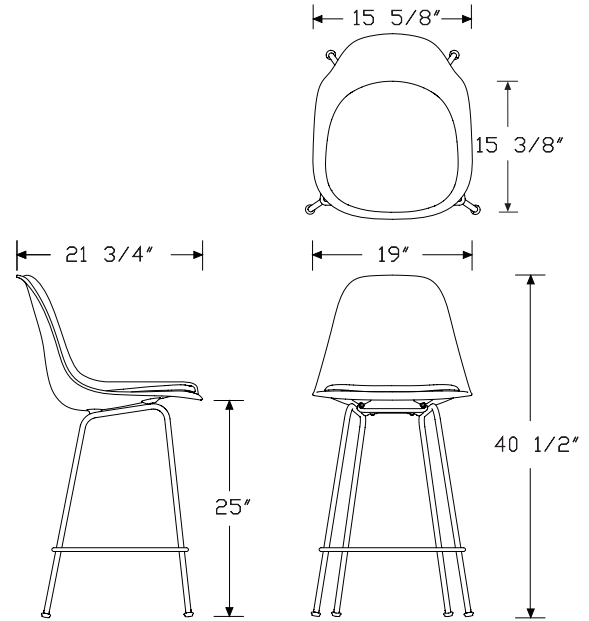
This stool has a molded 1-piece construction with waterfall edges, molded fiberglass seat and flexible back. It has a fully upholstered shell or an attached upholstered seat pad. Seat pad is easily removable for cleaning or reupholstery. Standard glides can be ordered with or without felt. Ships assembled.

Notes

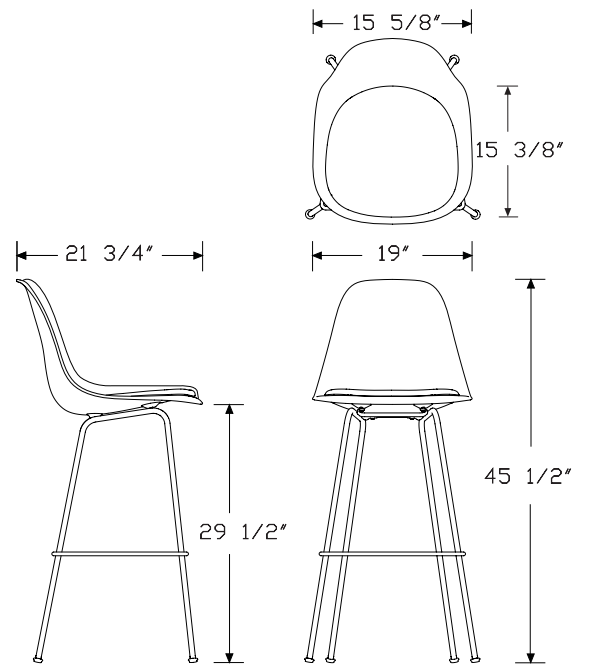
Seat pad is upholstered with textiles or leather for indoor use only.
For upholstered seat pad (P), Customer's Own Material (COM) requires 1/2 yard. Customer's Own Leather (COL) requires 9 square feet. See Order Information in appendices.

HermanMiller Ancillary-Stools

Dimensions



counter height



bar height

Eames® Upholstered Molded
Fiberglass Stool *continued*

Specification Information

Step 1.

DFH A

Step 2. Base Height

CX. counter height A

BX. bar height A

Step 3. Upholstery

U fully upholstered shell A

P upholstered seat pad A

Prices for Steps 1-3.

DFHCX. U	\$1603
P	\$1458

DFHBX. U	\$1631
P	\$1488

Step 4. Base Finish

91 white (CP) A +\$0

BK black A +\$0

47 trivalent chrome A +\$40

Step 5. Seat/Back Finish

For upholstered seat pad (P)

111 parchment A +\$0

112 elephant hide grey A +\$0

114 red orange A +\$0

117 navy blue A +\$0

118 black A +\$0

TCA terra cotta A +\$0

DKS dark seafoam A +\$0

For fully upholstered shell (U)

111 parchment A +\$0

112 elephant hide grey A +\$0

114 red orange A +\$0

117 navy blue A +\$0

118 black A +\$0

TCA terra cotta A +\$0

DKS dark seafoam A +\$0

Step 6. Edge Finish

For fully upholstered shell (U)

111 parchment A +\$0

BK black A +\$0

ZF white A +\$0

Step 7. Upholstery

For fully upholstered shell (U)

Price Category 2 +\$31

Price Category 4 +\$41

Price Category 5 +\$73

Price Category 7 +\$138

Price Category B +\$54

Price Category H +\$254

Price Category J +\$348

Price Category K +\$456

For upholstered seat pad (P)

Price Category 1 +\$0

Price Category 2 +\$31

Price Category 3 +\$36

Price Category 4 +\$41

Price Category 5 +\$73

Price Category (Geiger) 5 +\$73

Price Category (Geiger) 6 +\$97

Price Category 7 +\$138

Price Category (Geiger) 7 +\$133

Price Category 8 +\$181

Price Category 9 +\$259

Price Category 10 +\$281

Price Category 11 +\$314

Price Category B +\$54

Price Category C +\$60

Price Category D +\$83

Price Category F +\$154

Price Category G +\$204

Price Category I +\$300

Price Category J +\$348

Price Category K +\$456

Price Category R +\$793

Step 8. Glide Option

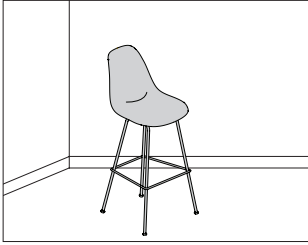
E7 metal swivel glide A +\$50

E8 standard glide A +\$0

E9 standard glide with felt bottom A +\$25

Eames® Molded Plastic Stool

DSHBX.
DSHCX.



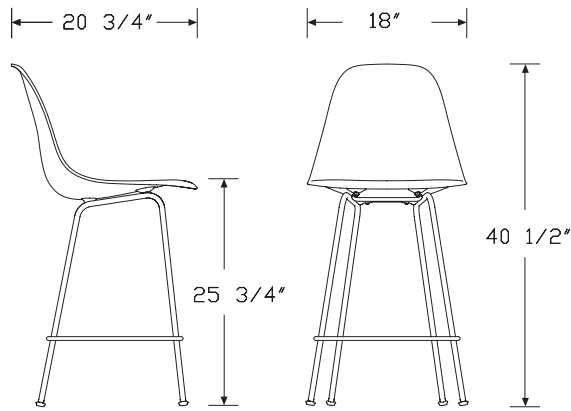
HermanMiller Ancillary-Stools

Product Information

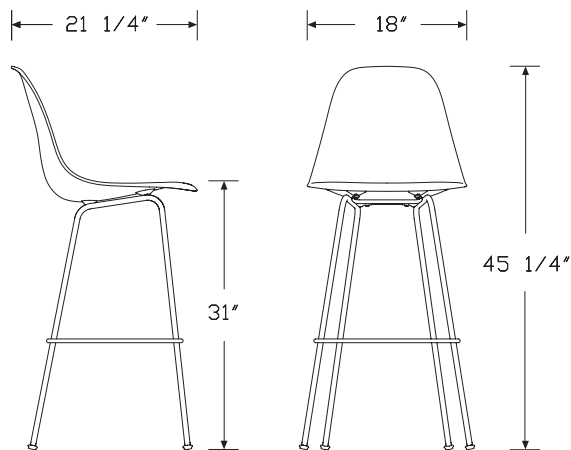
Description

This stool has a single-piece nonupholstered shell with waterfall edges and molded plastic seat and flexible back. Standard glides can be ordered with or without felt. Ships assembled.

Dimensions



counter height



bar height

Specification Information

Step 1.

DSH

Step 2. Base Height

CX. counter height stool

BX. bar height stool

Prices for Steps 1-2.

DSHCX.	\$796
DSHBX.	\$824

Step 3. Base Finish

91	white (CP)	+\$0
BK	black	+\$0
47	trivalent chrome	+\$40

Step 4. Seat/Back Finish

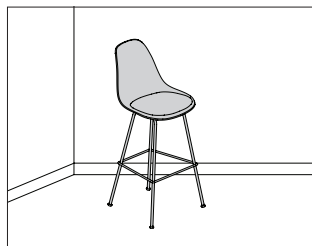
BKR	brick red	+\$0
BLG	blue green	+\$0
CC1	cocoa	+\$0
DYL	deep yellow	+\$0
EVG	evergreen	+\$0
LTY	light grey	+\$0
MGR	medium grey	+\$0
PBU	pale blue	+\$0
RYG	grey green	+\$0
ZA	black	+\$0
ZE	red orange	+\$0
ZF	white	+\$0

Step 5. Glide Option

E7	metal swivel glide	+\$0
E8	standard glide	+\$0
E9	standard glide with felt bottom	+\$25

Eames® Upholstered Molded Plastic Stool

DSHBX.
DSHCX.



Product Information

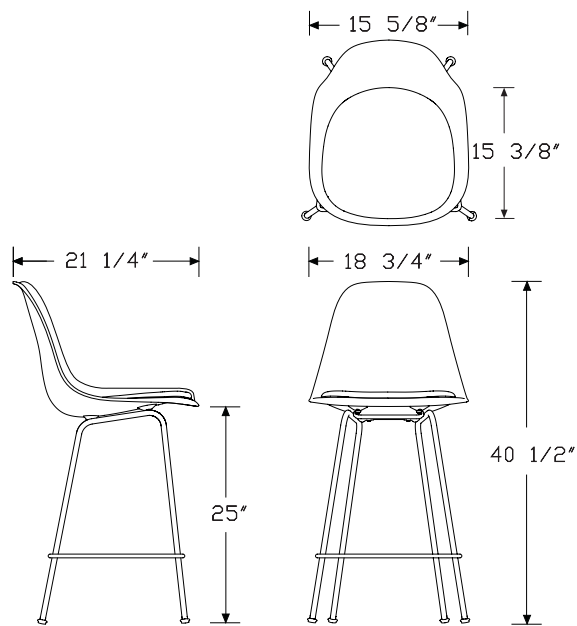
Description

This stool has a molded 1-piece construction with waterfall edges, molded plastic seat and flexible back. It has a fully upholstered shell or an attached upholstered seat pad. Seat pad is easily removable for cleaning or replacement. Standard glides can be ordered with or without felt. Ships assembled.

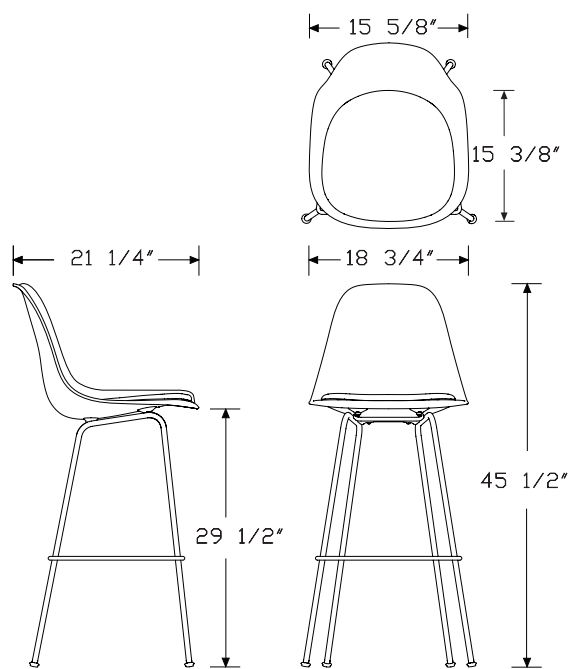
Notes

Seat pad is upholstered with textiles or leather for indoor use only.
For upholstered seat pad (P), Customer's Own Material (COM) requires 1/2 yard. Customer's Own Leather (COL) requires 9 square feet. See Order Information in appendices.

Dimensions



Counter Height



Bar Height

HermanMiller Ancillary—Stools

Eames® Upholstered Molded Plastic Stool *continued*

Specification Information

Step 1.

DSH A

Step 2. Base Height

CX. counter height A

BX. bar height A

Step 3. Upholstery

U fully upholstered shell A

P upholstered seat pad A

Prices for Steps 1-3.

DSHCX.U \$1099

P \$965

DSHBX.U \$1130

P \$995

Step 4. Base Finish

91 white (CP) A +\$0

BK black A +\$0

47 trivalent chrome A +\$40

Step 5. Seat/Back Finish

BKR brick red A +\$0

BLG blue green A +\$0

CC1 cocoa A +\$0

DYL deep yellow A +\$0

EVG evergreen A +\$0

LTY light grey A +\$0

MGR medium grey A +\$0

PBU pale blue A +\$0

RYG grey green A +\$0

ZA black A +\$0

ZE red orange A +\$0

ZF white A +\$0

Step 6. Edge Finish

For fully upholstered shell (U)

111 parchment A +\$0

BK black A +\$0

ZF white A +\$0

Step 7. Upholstery

For fully upholstered shell (U)

Price Category 2 +\$31

Price Category 4 +\$41

Price Category 5 +\$73

Price Category 7 +\$138

Price Category B +\$54

Price Category H +\$254

Price Category J +\$348

Price Category K +\$456

For upholstered seat pad (P)

Price Category 1 +\$0

Price Category 2 +\$31

Price Category 3 +\$36

Price Category 4 +\$41

Price Category 5 +\$73

Price Category (Geiger) 5 +\$73

Price Category (Geiger) 6 +\$97

Price Category 7 +\$138

Price Category (Geiger) 7 +\$133

Price Category 8 +\$181

Price Category 9 +\$259

Price Category 10 +\$281

Price Category 11 +\$314

Price Category B +\$54

Price Category C +\$60

Price Category D +\$83

Price Category F +\$154

Price Category G +\$204

Price Category I +\$300

Price Category J +\$348

Price Category K +\$456

Price Category R +\$793

Step 8. Glide Option

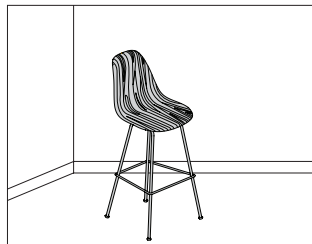
E7 metal swivel glide A +\$0

E8 standard glide A +\$0

E9 standard glide with felt bottom A +\$25

Eames® Molded Wood Stool

DWHBX.
DWHCX.

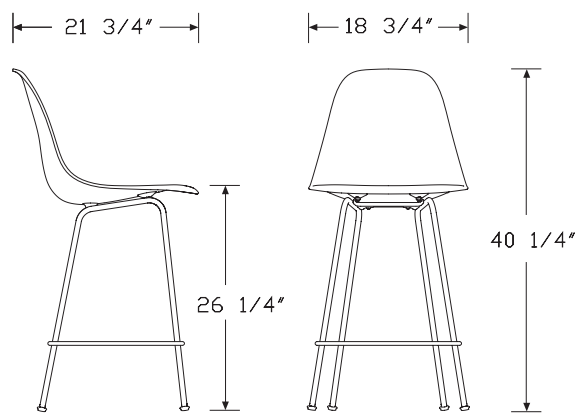


Product Information

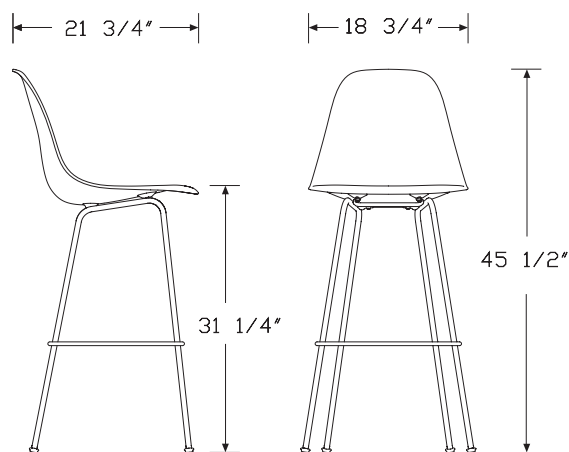
Description

This stool has a single-piece molded construction with waterfall edges, and is 0.260" thick. Base is attached by nonremovable wooden shock mounts. Standard glides can be ordered with or without felt. Ships assembled.

Dimensions



counter height



bar height

Specification Information

Step 1.

DWH

Step 2. Base Height

CX. counter height stool

BX. bar height stool

Prices for Steps 1-2.

DWHCX.	\$1630
DWHBX.	\$1660

Step 3. Base Finish

91	white (CP)	+\$0
BK	black	+\$0
47	trivalent chrome	+\$40

Step 4. Seat/Back Finish

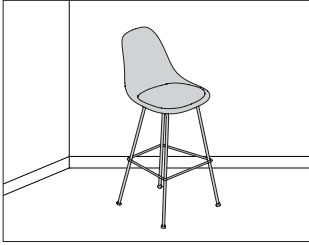
OU	walnut	+\$0
A2	white ash	+\$116
EN	ebony	+\$116
9N	santos palisander	+\$289

Step 5. Glide Option

E7	metal swivel glide	+\$0
E8	standard glide	+\$0
E9	standard glide with felt bottom	+\$25

Eames® Upholstered Molded Wood Stool

DWHBX.
DWHCX.



Product Information

Description

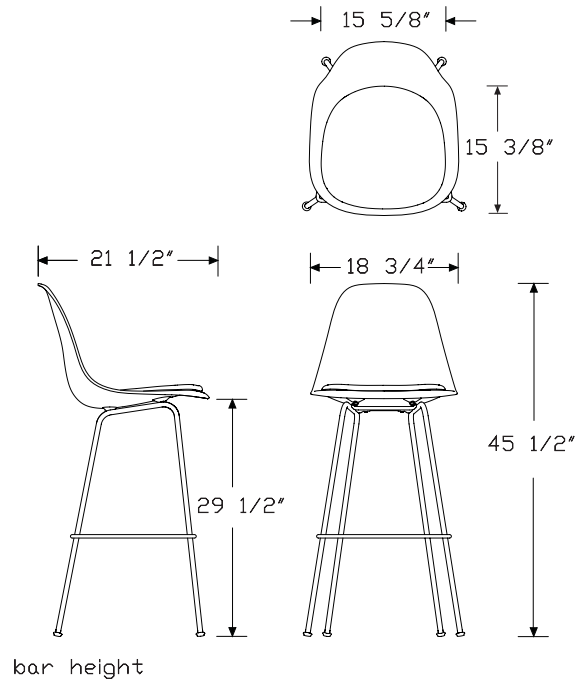
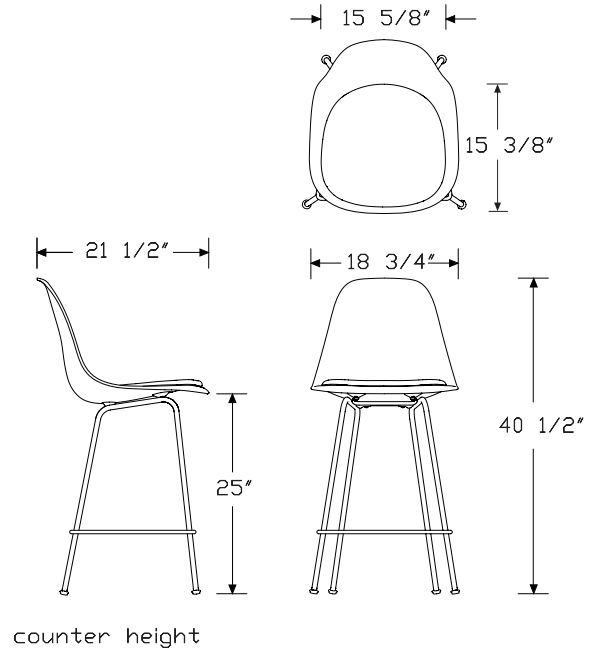
This stool has a molded 1-piece construction with waterfall edges, and is 0.260" thick. It comes with an attached upholstered seat pad that is easily removable for cleaning or reupholstery. Base is attached by nonremovable wooden shock mounts. Base options include bar and counter heights. Standard glides can be ordered with or without felt. Ships assembled.

Notes

Seat pad is upholstered with textiles or leather for indoor use only.
Customer's Own Material (COM) requires 1/2 yard. Customer's Own Leather (COL) requires 9 square feet. See Order Information in appendices.

HermanMiller Ancillary-Stools

Dimensions



Eames® Upholstered Molded Wood
Stool *continued*

Specification Information

Step 1.

DWH A

Step 2. Base Height

BX. bar height A

CX. counter height A

Step 3. Upholstery

P upholstered seat pad A

Prices for Steps 1-3.

DWHBX.P \$1830

DWHCX.P \$1802

Step 4. Base Finish

91 white (CP) A +\$0

BK black A +\$0

47 trivalent chrome A +\$40

Step 5. Seat/Back Finish

OU walnut A +\$0

A2 white ash A +\$116

EN ebony A +\$116

9N santos palisander A +\$289

Step 6. Upholstery

Price Category 1 +\$0

Price Category 2 +\$31

Price Category 3 +\$36

Price Category 4 +\$41

Price Category 5 +\$73

Price Category (Geiger) 5 +\$73

Price Category (Geiger) 6 +\$97

Price Category 7 +\$138

Price Category (Geiger) 7 +\$133

Price Category 8 +\$181

Price Category 9 +\$259

Price Category 10 +\$281

Price Category 11 +\$314

Price Category B +\$36

Price Category C +\$60

Price Category D +\$83

Price Category F +\$154

Price Category G +\$204

Price Category H +\$252

Price Category I +\$300

Price Category J +\$348

Price Category K +\$456

Price Category R +\$793

Step 7. Glide Option

E7 metal swivel glide A +\$0

E8 standard glide A +\$0

E9 standard glide with felt bottom A +\$25

Eames® Wire Stool

DKHBX.
DKHCX.



HermanMiller Ancillary—Stools

Product Information

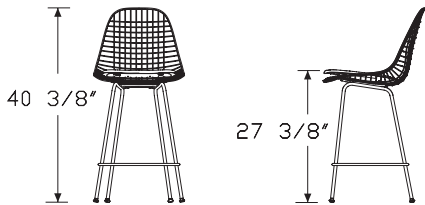
Description

This stool has a wire shell, a wire shell with upholstered seat and back, or a wire shell with upholstered seat and wire back. It comes in bar height or counter height. Wire shell and metal bases are available in trivalent chrome, white or black. Stool comes with standard indoor glides with or without felt. Suitable for indoor use only.

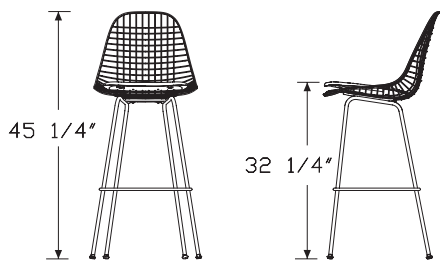
Notes

Customer's Own Material (COM) requires 1 yard. See Order Information in appendices.

Dimensions



Counter Height, Upholstered Seat



Bar Height, Upholstered Seat

Specification Information

Step 1.

DKH A

Step 2. Base Height

BX. bar height stool A

CX. counter height stool A

Step 3. Seat/Back Material

0 wire shell

2 wire shell/upholstered seat/back

5 wire shell/upholstered seat/wire back

Prices for Steps 1-3.

DKHBX.0	\$1525
2	\$2221
5	\$1881

DKHCX.0	\$1498
2	\$2194
5	\$1852

Step 4. Seat Frame/Leg Finish

For wire shell (0) or wire shell/upholstered seat/wire back (5)

47	trivalent chrome	+\$40
91	white (CP)	+\$0
BK	black	+\$0

For wire shell/upholstered seat/back (2)

47	trivalent chrome <input type="checkbox"/> A	+\$40
91	white (CP) <input type="checkbox"/> A	+\$0
BK	black <input type="checkbox"/> A	+\$0

Step 5. Upholstery

For wire shell/upholstered seat/back (2)

Price Category 5	+\$73
Price Category 9	+\$259
Price Category 11	+\$314
Price Category D	+\$95
Price Category K	+\$456

Eames® Wire Stool *continued*

For wire shell/upholstered seat/wire back (5)

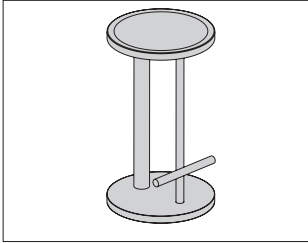
Price Category 10	+\$281
Price Category (Geiger) D	+\$0
Price Category 3	+\$36
Price Category 7	+\$138
Price Category 1	+\$0
Price Category 2	+\$31
Price Category 4	+\$41
Price Category 5	+\$73
Price Category (Geiger) 8	+\$175
Price Category 9	+\$259
Price Category 11	+\$314
Price Category C	+\$60
Price Category H	+\$252
Price Category I	+\$300
Price Category J	+\$348
Price Category K	+\$456

Step 6. Glide Option

E8	standard glide <input type="checkbox"/>	+\$0
E9	standard glide with felt bottom <input type="checkbox"/>	+\$25

Spot Stool

MAS18
MAS24
MAS30



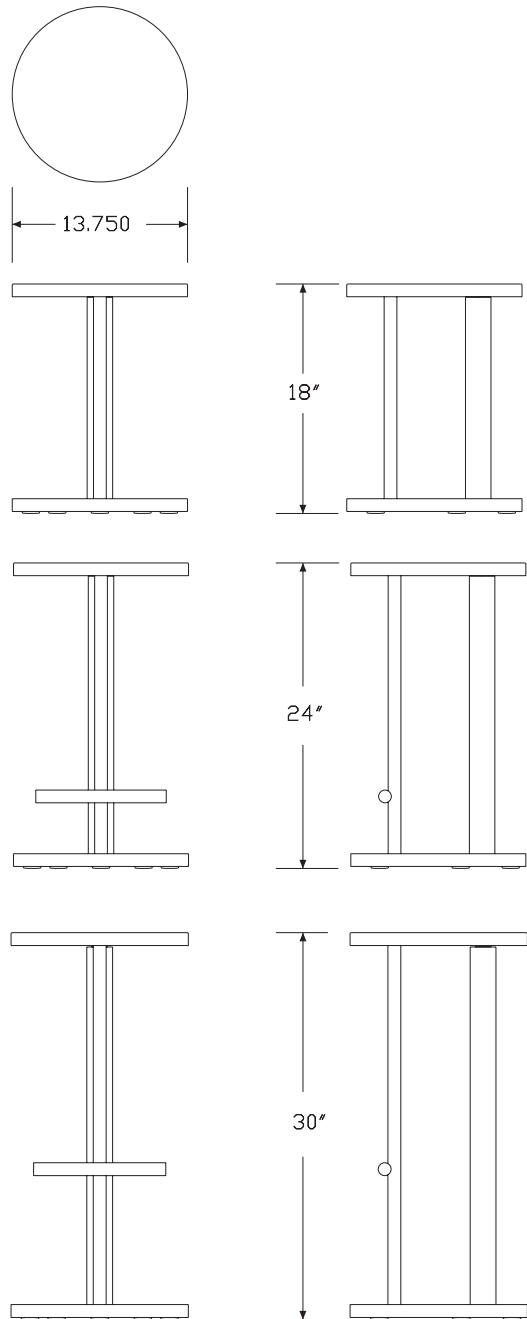
Product Information

Description

This wood and steel stool is available in an 18" occasional height, 24" counter height, and 30" bar height. Counter and bar height stools include a footrest. Stool diameter is 13³/₄".

HermanMiller Ancillary-Stools

Dimensions



Specification Information

Step 1.

MAS A

Step 2. Height

18 18" high A

24 24" high A

30 30" high A

Prices for Steps 1-2.

MAS18	\$2005
MAS24	\$2033
MAS30	\$2059

Step 3. Wood Finish

A2 white ash A +\$0

EN ebony on ash A +\$0

OU walnut A +\$100

Step 4. Metal Post and Footrest Finish

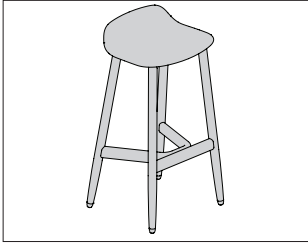
SAC satin chrome A +\$0

BK black A +\$0

BAS brass A +\$50

Crosshatch Stool

SEB1B
SEB1C



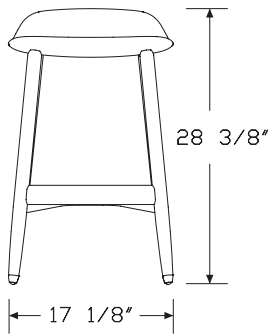
HermanMiller Ancillary-Stools

Product Information

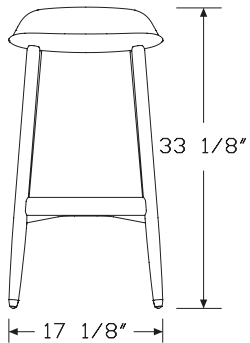
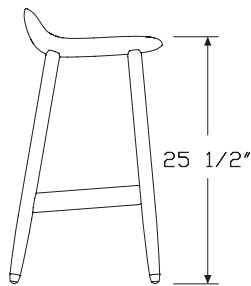
Description

This solid wood stool is available in bar and counter height. Wood options are ash or walnut.

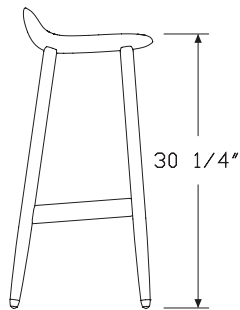
Dimensions



Counter Height



Bar Height



Specification Information

Step 1.

SEB1 A

Step 2. Configuration

CX counter height A

BX bar height A

Step 3. Frame Finish

A ash A

W walnut A

Prices for Steps 1-3.

SEB1CX A	\$2472
W	\$2472

SEB1BX A	\$2498
W	\$2498

Step 4. Wood Finish

Anigre Veneer - Low Sheen

For ash (A)

967	smoked paldao, low sheen <input type="checkbox"/> A	+ \$0
969	warm paldao, low sheen <input type="checkbox"/> A	+ \$0

Crosshatch Stool *continued*

Premium Veneer - Low Sheen

For ash (A)

G2U	light brown walnut, low sheen <input type="checkbox"/>	+\$0
G40	dark brown walnut, low sheen <input type="checkbox"/>	+\$0
940	sundance cherry on maple <input type="checkbox"/>	+\$0
943	caramel cherry <input type="checkbox"/>	+\$0
946	cocoa cherry <input type="checkbox"/>	+\$0
956	cocoa sapele <input type="checkbox"/>	+\$0
962	toasted walnut, low sheen <input type="checkbox"/>	+\$0
963	charred walnut, low sheen <input type="checkbox"/>	+\$0
964	bronzed walnut, low sheen <input type="checkbox"/>	+\$0
965	smoked walnut, low sheen <input type="checkbox"/>	+\$0
966	coffee walnut, low sheen <input type="checkbox"/>	+\$0
977	chocolate ash, low sheen <input type="checkbox"/>	+\$0
98R	recograin rosewood <input type="checkbox"/>	+\$0
991	champagne ash <input type="checkbox"/>	+\$0
998	ebony ash <input type="checkbox"/>	+\$0
99A	recograin frosty ash <input type="checkbox"/>	+\$0
99R	recograin rosewood <input type="checkbox"/>	+\$0
99T	recograin teak <input type="checkbox"/>	+\$0
9A1	white ash, quarter cut, low sheen <input type="checkbox"/>	+\$0
9K1	rift oak, rift cut, low sheen <input type="checkbox"/>	+\$0
9K6	burnt oak, rift cut, low sheen <input type="checkbox"/>	+\$0

Premium Veneer - Matte

For ash (A)

66A	recograin frosty ash <input type="checkbox"/>	+\$0
677	chocolate ash, matte sheen <input type="checkbox"/>	+\$0
68R	recograin rosewood <input type="checkbox"/>	+\$0
69A	recograin frosty ash <input type="checkbox"/>	+\$0
69R	recograin rosewood <input type="checkbox"/>	+\$0
69T	recograin teak <input type="checkbox"/>	+\$0
6A1	white ash <input type="checkbox"/>	+\$0
6K1	rift oak <input type="checkbox"/>	+\$0
6K6	burnt oak <input type="checkbox"/>	+\$0
ET	clear on ash <input type="checkbox"/>	+\$0
EU	oak on ash <input type="checkbox"/>	+\$0
EV	walnut on ash <input type="checkbox"/>	+\$0
GOU	natural walnut, flat cut, matte sheen <input type="checkbox"/>	+\$0

RecoGrain Veneer

For ash (A)

68W	recograin walnut, flat cut, matte sheen <input type="checkbox"/>	+\$0
69W	recograin walnut, quarter cut, matte sheen <input type="checkbox"/>	+\$0

Recon Veneer -

For ash (A)

98W	recograin walnut, flat cut, low sheen <input type="checkbox"/>	+\$0
99W	recograin walnut, quarter cut, low sheen <input type="checkbox"/>	+\$0

Anigre Veneer - Low Sheen

For walnut (W)

967	smoked paldao, low sheen <input type="checkbox"/>	+\$0
969	warm paldao, low sheen <input type="checkbox"/>	+\$0

Premium Veneer - Low Sheen

For walnut (W)

G2U	light brown walnut, low sheen <input type="checkbox"/>	+\$0
G40	dark brown walnut, low sheen <input type="checkbox"/>	+\$0
962	toasted walnut, low sheen <input type="checkbox"/>	+\$0
963	charred walnut, low sheen <input type="checkbox"/>	+\$0
964	bronzed walnut, low sheen <input type="checkbox"/>	+\$0
965	smoked walnut, low sheen <input type="checkbox"/>	+\$0
966	coffee walnut, low sheen <input type="checkbox"/>	+\$0
972	sundance walnut <input type="checkbox"/>	+\$0
98R	recograin rosewood <input type="checkbox"/>	+\$0
99R	recograin rosewood <input type="checkbox"/>	+\$0

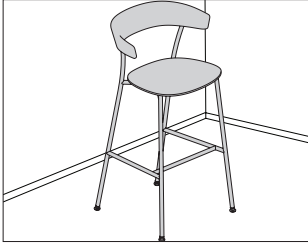
Premium Veneer - Matte

For walnut (W)

667	smoked paldao, quarter cut, matte sheen <input type="checkbox"/>	+\$0
669	warm paldao, quarter cut, matte sheen <input type="checkbox"/>	+\$0
662	toasted walnut, matte sheen <input type="checkbox"/>	+\$0
663	charred walnut, matte sheen <input type="checkbox"/>	+\$0
664	bronzed walnut, matte sheen <input type="checkbox"/>	+\$0
665	smoked walnut, matte sheen <input type="checkbox"/>	+\$0
666	coffee walnut, matte sheen <input type="checkbox"/>	+\$0
68R	recograin rosewood <input type="checkbox"/>	+\$0
69R	recograin rosewood <input type="checkbox"/>	+\$0
GOU	natural walnut, flat cut, matte sheen <input type="checkbox"/>	+\$0

Leeway™ Stool

- SVSPB
- SVSPC
- SVSUA
- SVSUW
- SVSWA
- SVSWW



Product Information

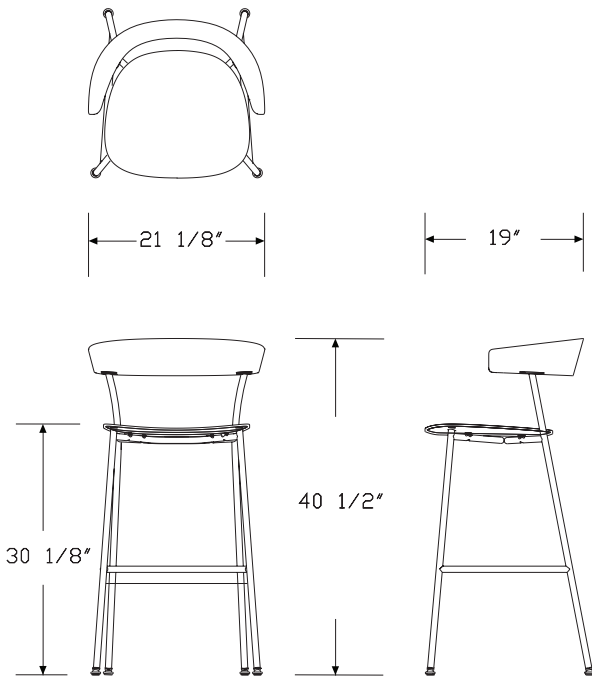
Description

This stool has a solid wood seat and back with a metal frame or a polyurethane seat and back with a metal frame. All options available with or without an upholstered seat.

Notes

Customer's Own Material (COM) requires 1/2 yard. Customer's Own Leather (COL) requires 9 square feet. See Order Information in appendices.

Dimensions



Specification Information

Step 1.

SVS A

Step 2. Seat/Back

- U upholstered seat, wood back A
- W wood seat and back A
- P polyurethane seat and back A

Step 3. Wood Species

For upholstered seat, wood back (U) or wood seat and back (W)

- A ash A
- W walnut A

Step 4. Stool Height

- B bar height A
- C counter height A

Prices for Steps 1-4.

SVSUA	B	\$2206
	C	\$2194
SVSUW	B	\$2206
	C	\$2194
SVSWA	B	\$2069
	C	\$2057
SVSWW	B	\$2069
	C	\$2057

Step 5. Frame Finish

- BK black A +\$0
- SAC satin chrome A +\$104

Step 6. Seat/Back Finish

For upholstered seat, wood back (U) or wood seat and back (W) with ash (A)

940	sundance cherry on maple, low sheen <input type="checkbox"/>	+\$0
943	caramel cherry, low sheen <input type="checkbox"/>	+\$0
946	cocoa cherry, low sheen <input type="checkbox"/>	+\$0
956	cocoa sapele, low sheen <input type="checkbox"/>	+\$0
966	coffee walnut, low sheen <input type="checkbox"/>	+\$0
967	smoked paldao, low sheen <input type="checkbox"/>	+\$0
969	warm paldao, low sheen <input type="checkbox"/>	+\$0
96A	recograin frosty ash, low sheen <input type="checkbox"/>	+\$0
96W	recograin walnut, low sheen <input type="checkbox"/>	+\$0
977	chocolate ash, low sheen <input type="checkbox"/>	+\$0
98R	recograin rosewood, low sheen <input type="checkbox"/>	+\$0
98W	recograin walnut, low sheen <input type="checkbox"/>	+\$0
991	champagne ash, low sheen <input type="checkbox"/>	+\$0
998	ebony ash, low sheen <input type="checkbox"/>	+\$0
99R	recograin rosewood, low sheen <input type="checkbox"/>	+\$0
99T	recograin teak, low sheen <input type="checkbox"/>	+\$0
99W	recograin walnut, low sheen <input type="checkbox"/>	+\$0
9A1	white ash, low sheen <input type="checkbox"/>	+\$0
9K1	rift oak, low sheen <input type="checkbox"/>	+\$0
9K6	burnt oak, low sheen <input type="checkbox"/>	+\$0
ED	aged cherry, low sheen <input type="checkbox"/>	+\$0
EK	medium red walnut, low sheen <input type="checkbox"/>	+\$0
G2U	light brown walnut, low sheen <input type="checkbox"/>	+\$0
G40	dark brown walnut, low sheen <input type="checkbox"/>	+\$0
UX	walnut on cherry, low sheen <input type="checkbox"/>	+\$0

For upholstered seat, wood back (U) or wood seat and back (W) with ash (A)

662	toasted walnut, matte sheen <input type="checkbox"/>	+\$0
663	charred walnut, matte sheen <input type="checkbox"/>	+\$0
664	bronzed walnut, matte sheen <input type="checkbox"/>	+\$0
665	smoked walnut, matte sheen <input type="checkbox"/>	+\$0
666	coffee walnut, matte sheen <input type="checkbox"/>	+\$0
667	smoked paldao, matte sheen <input type="checkbox"/>	+\$0
669	warm paldao, matte sheen <input type="checkbox"/>	+\$0
66A	recograin frosty ash, matte sheen <input type="checkbox"/>	+\$0
66W	recograin walnut, matte sheen <input type="checkbox"/>	+\$0
677	chocolate ash, matte sheen <input type="checkbox"/>	+\$0
69A	recograin frosty ash, matte sheen <input type="checkbox"/>	+\$0
69R	recograin rosewood, matte sheen <input type="checkbox"/>	+\$0
69T	recograin teak, matte sheen <input type="checkbox"/>	+\$0
69W	recograin walnut, matte sheen <input type="checkbox"/>	+\$0
6A1	white ash, matte sheen <input type="checkbox"/>	+\$0
6ET	clear on ash, matte sheen <input type="checkbox"/>	+\$0
6EU	clear on oak, matte sheen <input type="checkbox"/>	+\$0
6EV	walnut on ash, matte sheen <input type="checkbox"/>	+\$0
6K1	rift oak, matte sheen <input type="checkbox"/>	+\$0
6K6	burnt oak, matte sheen <input type="checkbox"/>	+\$0
ET	clear on ash, matte sheen <input type="checkbox"/>	+\$0
EU	oak on ash, matte sheen <input type="checkbox"/>	+\$0
EV	walnut on ash, matte sheen <input type="checkbox"/>	+\$0
GOU	walnut, matte sheen <input type="checkbox"/>	+\$0

For upholstered seat, wood back (U) or wood seat and back (W) with walnut (W)

962	toasted walnut, low sheen <input type="checkbox"/>	+\$0
963	charred walnut, low sheen <input type="checkbox"/>	+\$0
964	bronzed walnut, low sheen <input type="checkbox"/>	+\$0
965	smoked walnut, low sheen <input type="checkbox"/>	+\$0
966	coffee walnut, low sheen <input type="checkbox"/>	+\$0
967	smoked paldao, low sheen <input type="checkbox"/>	+\$0
969	warm paldao, low sheen <input type="checkbox"/>	+\$0
972	sundance walnut, low sheen <input type="checkbox"/>	+\$0
98R	recograin rosewood, low sheen <input type="checkbox"/>	+\$0
99R	recograin rosewood, low sheen <input type="checkbox"/>	+\$0
EK	medium red walnut, low sheen <input type="checkbox"/>	+\$0
G2U	light brown walnut, low sheen <input type="checkbox"/>	+\$0
G40	dark brown walnut, low sheen <input type="checkbox"/>	+\$0

For upholstered seat, wood back (U) or wood seat and back (W) with walnut (W)

662	toasted walnut, matte sheen <input type="checkbox"/>	+\$0
663	charred walnut, matte sheen <input type="checkbox"/>	+\$0
664	bronzed walnut, matte sheen <input type="checkbox"/>	+\$0
665	smoked walnut, matte sheen <input type="checkbox"/>	+\$0
666	coffee walnut, matte sheen <input type="checkbox"/>	+\$0
667	smoked paldao, matte sheen <input type="checkbox"/>	+\$0
669	warm paldao, matte sheen <input type="checkbox"/>	+\$0
68R	recograin rosewood, matte sheen <input type="checkbox"/>	+\$0
69R	recograin rosewood, matte sheen <input type="checkbox"/>	+\$0
6EV	walnut on ash, matte sheen <input type="checkbox"/>	+\$0
EV	walnut on ash, matte sheen <input type="checkbox"/>	+\$0
GOU	walnut, matte sheen <input type="checkbox"/>	+\$0

For polyurethane seat and back (P)

BK	black <input type="checkbox"/>	+\$0
-----------	--------------------------------	------

Step 7. Fabric

For upholstered seat, wood back (U)

Price Category 8	+\$162
Price Category 1	+\$0
Price Category (Geiger) 1	+\$0
Price Category 2	+\$30
Price Category (Geiger) 2	+\$30
Price Category 3	+\$37
Price Category (Geiger) 3	+\$37
Price Category 4	+\$46
Price Category (Geiger) 4	+\$46
Price Category 5	+\$66
Price Category (Geiger) 5	+\$66
Price Category (Geiger) 6	+\$86
Price Category (Geiger) 7	+\$107
Price Category (Geiger) 7	+\$107
Price Category (Geiger) 8	+\$162
Price Category 9	+\$202
Price Category (Geiger) 9	+\$202
Price Category (Geiger) 10	+\$232
Price Category 11	+\$260
Price Category (Geiger) 11	+\$260
Price Category (Geiger) 14	+\$341
Price Category (Geiger) C	+\$54
Price Category D	+\$44
Price Category (Geiger) D	+\$44
Price Category (Geiger) E	+\$54
Price Category F	+\$64
Price Category (Geiger) F	+\$64

Price Category G	+\$88
Price Category (Geiger) G	+\$88
Price Category (Geiger) H	+\$108
Price Category (Geiger) J	+\$152
Price Category (Geiger) L	+\$197
Price Category (Geiger) M	+\$220
Price Category (Geiger) R	+\$458
Price Category (Geiger) COL <input type="checkbox"/>	+\$43
Price Category (Geiger) COM <input type="checkbox"/>	+\$0

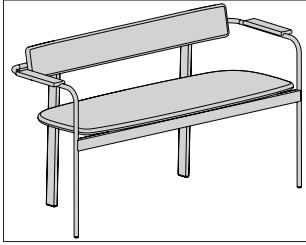
Step 8. Fire Retardancy

For upholstered seat, wood back (U)

NOCAL no cal-133 required <input type="checkbox"/>	+\$0
133 fire retardant <input type="checkbox"/>	+\$33

Betwixt Bench

LN40A



Product Information

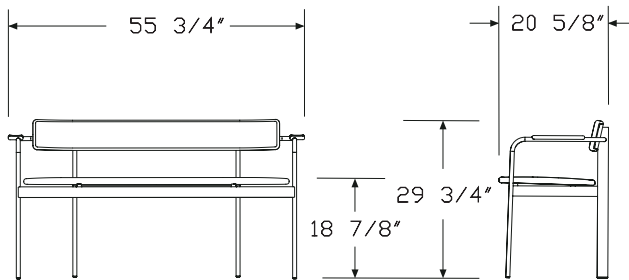
Description

This bench with arms has a steel tube frame with a choice of solid wood or upholstered seat and back. Arm finish options include solid oak or walnut. Bench comes standard with polymer glides suitable for multiple floor surfaces.

Notes

Customer's Own Material (COM) requires 1¾ yards for the seat and 1½ yards for the back. Customer's Own Leather (COL) requires 31½ square feet for the seat and 27 square feet for the back. See Order Information in appendices.

Dimensions



Specification Information

Step 1.

LN40 A

Step 2. Frame

A frame with arms A

Step 3. Seat

O oak A

W walnut A

U upholstered A

Step 4. Back

O oak A

W walnut A

U upholstered A

Prices for Steps 1-4.

		O	W	U
LN40A	O	\$1894	2165	2098
	W	\$2165	2435	2369
	U	\$2098	2369	2300

Step 5. Frame Finish

BK black A +\$0

WN warm grey A +\$0

DB3 glacier A +\$0

Step 6. Seat Finish

For oak (O)

WHN white oak A +\$0

For walnut (W)

OU walnut A +\$0

Step 7. Seat Fabric

For upholstered (U)

Price Category 2	+\$44
Price Category 3	+\$55
Price Category 4	+\$68
Price Category (Geiger) 4	+\$68
Price Category (Geiger) 5	+\$98
Price Category 7	+\$133
Price Category (Geiger) 7	+\$160
Price Category 9	+\$302
Price Category (Geiger) 10	+\$348
Price Category 11	+\$389
Price Category (Geiger) 11	+\$389
Price Category (Geiger) 14	+\$510
Price Category (Geiger) C	+\$50
Price Category (Geiger) D	+\$66
Price Category (Geiger) G	+\$96
Price Category (Geiger) J	+\$228

Step 8. Back Finish

For oak (O)

WHN white oak <input type="checkbox"/>	+\$0
----------------------------------------	------

For walnut (W)

OU walnut <input type="checkbox"/>	+\$0
------------------------------------	------

Step 9. Back Fabric

For upholstered (U)

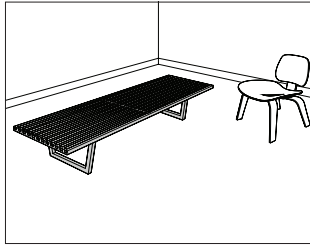
Price Category 2	+\$44
Price Category 3	+\$55
Price Category 4	+\$68
Price Category (Geiger) 4	+\$68
Price Category (Geiger) 5	+\$98
Price Category 7	+\$133
Price Category (Geiger) 7	+\$160
Price Category 9	+\$302
Price Category (Geiger) 10	+\$348
Price Category 11	+\$389
Price Category (Geiger) 11	+\$389
Price Category (Geiger) 14	+\$510
Price Category (Geiger) C	+\$50
Price Category (Geiger) D	+\$66
Price Category (Geiger) G	+\$96
Price Category (Geiger) J	+\$228

Step 10. Arm Finish

OU walnut <input type="checkbox"/>	+\$0
WHN white oak <input type="checkbox"/>	+\$0

Nelson™ Platform Bench

PB.

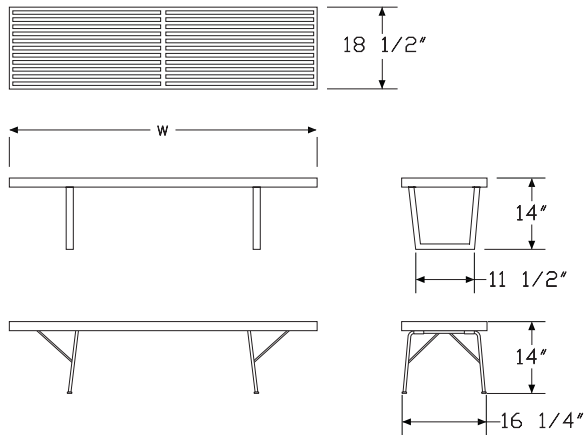


Product Information

Description

This bench has a slatted, clear-coat solid maple or walnut top and an ebonized wood or chrome metal base with metal leveling glides.

Dimensions



Specification Information

Step 1.

PB. A

Step 2. Width

48 48" wide A

60 60" wide A

72 72" wide A

Step 3. Base

M trivalent chrome metal base A

W ebonized wood base A

Prices for Steps 1-3.

		M	W
PB.	48	\$1605	1605
	60	\$1742	1742
	72	\$1886	1886

Step 4. Slat Finish

For 48" wide (48)

UL natural maple A +\$209

OU walnut A +\$926

For 60" wide (60)

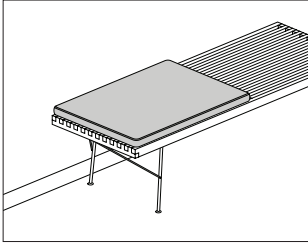
UL natural maple A +\$252

OU walnut A +\$1119

For 72" wide (72)

UL natural maple A +\$252

OU walnut A +\$1309



Product Information

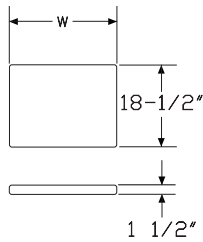
Description

This upholstered cushion fits on a Nelson® platform bench.

Notes

Customers Own Material (COM) requires 1 yard for 24"-wide cushion and 1½ yards for 36"-wide cushion. Customers Own Leather (COL) requires 15 square feet for 24"-wide cushion and 20 square feet for 36"-wide cushion. See Order Information in appendices.

Dimensions



HermanMiller Ancillary-Benches

Specification Information

Step 1.

PBC. A

Step 2. Width

24 24" wide A

36 36" wide A

Step 3. Material

F fabric A

Prices for Steps 1-3.

	F
PBC. 24	\$554
36	\$829

Step 4. Finish

See application chart and textiles list for fabric usage and numbers. First 2 digits of number indicate fabric line; remaining digit(s) indicate fabric color.

<i>For 24" wide (24) with fabric (F)</i>	
Price Category 1	+\$0
Price Category 2	+\$16
Price Category 3	+\$20
Price Category 4	+\$59
Price Category 5	+\$68
Price Category (Geiger) 5	+\$68
Price Category (Geiger) 6	+\$74
Price Category 7	+\$88
Price Category (Geiger) 7	+\$88
Price Category 8	+\$222
Price Category 9	+\$371
Price Category 10	+\$408
Price Category (Geiger) 10	+\$251
Price Category 10M	+\$562
Price Category 11	+\$445
Price Category (Geiger) 11	+\$445
Price Category 14	+\$534
Price Category C	+\$55
Price Category D	+\$71
Price Category E	+\$85
Price Category F	+\$166
Price Category G	+\$215
Price Category H	+\$262
Price Category I	+\$307
Price Category J	+\$353

Nelson™ Platform Bench Cushion

continued

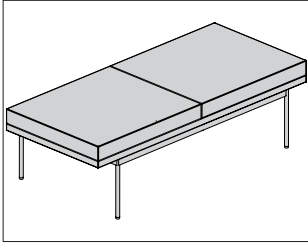
Price Category K	+\$398	Price Category Z	+\$1459
Price Category L	+\$444		
Price Category M	+\$623		
Price Category N	+\$650		
Price Category O	+\$582		
Price Category P	+\$419		
Price Category Q	+\$450		
Price Category R	+\$484		
Price Category X	+\$942		
Price Category Y	+\$991		
Price Category Z	+\$1459		

For 36" wide (36) with fabric (F)

Price Category 1	+\$0
Price Category 2	+\$16
Price Category 3	+\$30
Price Category 4	+\$59
Price Category 5	+\$84
Price Category (Geiger) 5	+\$84
Price Category (Geiger) 6	+\$94
Price Category 7	+\$106
Price Category (Geiger) 7	+\$106
Price Category 9	+\$390
Price Category 10	+\$430
Price Category (Geiger) 10	+\$430
Price Category 10M	+\$844
Price Category 11	+\$468
Price Category (Geiger) 11	+\$468
Price Category 14	+\$562
Price Category C	+\$84
Price Category D	+\$106
Price Category E	+\$128
Price Category F	+\$205
Price Category G	+\$278
Price Category H	+\$347
Price Category I	+\$415
Price Category J	+\$484
Price Category K	+\$551
Price Category L	+\$619
Price Category M	+\$1246
Price Category N	+\$756
Price Category O	+\$823
Price Category P	+\$892
Price Category Q	+\$964
Price Category R	+\$726
Price Category X	+\$1412
Price Category Y	+\$1488

Tuxedo Component Lounge™ Bench

ST2BN
ST2BQ



Product Information

Description

This 17"-high bench has a foam and Dacron® seat with a painted or plated steel base.

Notes

Order ganging plates (STGP) separately.

Customer's Own Material (COM)/Customer's Own Leather (COL) requires the following:

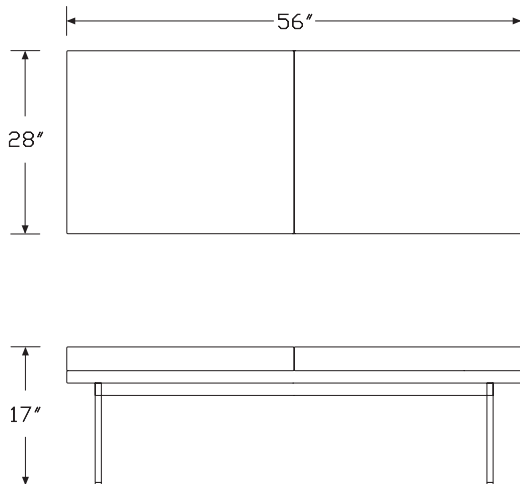
Type—COM—COL

Not quilted—3 yards—54 square feet

Quilted—3 yards—54 square feet

See Order Information in Appendices for more information.

Dimensions



Specification Information

Step 1.

ST2B A

Step 2. Upholstery Type

N not quilted A

Q quilted A

Prices for Steps 1-2.

ST2BN	\$2963
ST2BQ	\$3057

Step 3. Upholstery

For quilted (Q)

Price Category 1	+\$0
Price Category (Geiger) 1	+\$145
Price Category 2	+\$175
Price Category (Geiger) 2	+\$175
Price Category 3	+\$220
Price Category (Geiger) 3	+\$220
Price Category 4	+\$268
Price Category (Geiger) 4	+\$268
Price Category 5	+\$390
Price Category (Geiger) 5	+\$390
Price Category (Geiger) 6	+\$512
Price Category (Geiger) 7	+\$635
Price Category (Geiger) 8	+\$972
Price Category 9	+\$1206
Price Category (Geiger) 9	+\$1206
Price Category (Geiger) 10	+\$1387
Price Category (Geiger) 11	+\$1554
Price Category (Geiger) 14	+\$2036
Price Category (Geiger) A	+\$122
Price Category (Geiger) C	+\$197
Price Category D	+\$260
Price Category (Geiger) D	+\$260
Price Category (Geiger) E	+\$316
Price Category F	+\$379
Price Category (Geiger) F	+\$379
Price Category G	+\$516
Price Category (Geiger) G	+\$516
Price Category (Geiger) H	+\$642
Price Category (Geiger) I	+\$775
Price Category (Geiger) J	+\$910
Price Category (Geiger) K	+\$1043
Price Category (Geiger) L	+\$1176

Tuxedo Component Lounge™ Bench

continued

Price Category (Geiger) M	+\$1309
Price Category (Geiger) N	+\$1440
Price Category (Geiger) O	+\$1577
Price Category (Geiger) P	+\$1706
Price Category (Geiger) Q	+\$1969
Price Category (Geiger) R	+\$2744
Price Category (Geiger) V	+\$3560
Price Category (Geiger) Z	+\$4378
Price Category (Geiger) COL <input type="checkbox"/>	+\$259
Price Category (Geiger) COM <input type="checkbox"/>	+\$0

For not quilted (N)

Price Category 1	+\$0
Price Category (Geiger) 1	+\$145
Price Category 2	+\$175
Price Category (Geiger) 2	+\$175
Price Category 3	+\$220
Price Category (Geiger) 3	+\$220
Price Category 4	+\$268
Price Category (Geiger) 4	+\$268
Price Category 5	+\$390
Price Category (Geiger) 5	+\$390
Price Category (Geiger) 6	+\$512
Price Category (Geiger) 7	+\$635
Price Category (Geiger) 8	+\$972
Price Category 9	+\$1206
Price Category (Geiger) 9	+\$1206
Price Category (Geiger) 10	+\$1387
Price Category (Geiger) 11	+\$1554
Price Category (Geiger) 14	+\$2036
Price Category (Geiger) A	+\$122
Price Category (Geiger) C	+\$197
Price Category D	+\$260
Price Category (Geiger) D	+\$260
Price Category (Geiger) E	+\$316
Price Category F	+\$379
Price Category (Geiger) F	+\$379
Price Category G	+\$516
Price Category (Geiger) G	+\$516
Price Category (Geiger) H	+\$642
Price Category (Geiger) I	+\$775
Price Category (Geiger) J	+\$910
Price Category (Geiger) K	+\$1043
Price Category (Geiger) L	+\$1176
Price Category (Geiger) M	+\$1309
Price Category (Geiger) N	+\$1440
Price Category (Geiger) O	+\$1577

Price Category (Geiger) P	+\$1706
Price Category (Geiger) Q	+\$1969
Price Category (Geiger) R	+\$2744
Price Category (Geiger) V	+\$3560
Price Category (Geiger) X	+\$3968
Price Category (Geiger) Y	+\$4172
Price Category (Geiger) Z	+\$4378
Price Category (Geiger) COL <input type="checkbox"/>	+\$259
Price Category (Geiger) COM <input type="checkbox"/>	+\$0

Step 4. Base Finish

926 black <input type="checkbox"/>	+\$0
AS arctic silver <input type="checkbox"/>	+\$0
WHT white <input type="checkbox"/>	+\$0
CHR chrome <input type="checkbox"/>	+\$671
SAC satin chrome <input type="checkbox"/>	+\$671

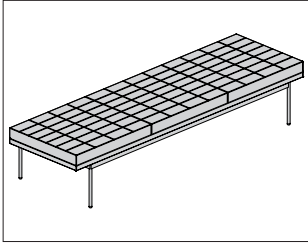
Step 5. Fire Retardancy

NOCAL not fire retardant <input type="checkbox"/>	+\$0
----------------------------------------------------------	------

HermanMiller Ancillary-Benches

Tuxedo Component Lounge™
Museum Bench

ST3BN
ST3BQ



Product Information

Description

This 17"-high museum bench has a foam and Dacron® seat with a painted or plated steel base.

Notes

Order ganging plates (STGP) separately.

Customer's Own Material (COM)/Customer's Own Leather (COL) requires the following:

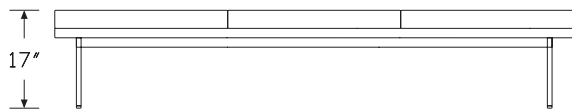
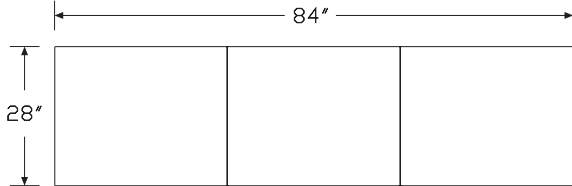
Type—COM—COL

Not quilted—5½ yards—99 square feet

Quilted—5½ yards—99 square feet

See Order Information in Appendices for more information.

Dimensions



Specification Information

Step 1.

ST3B A

Step 2. Upholstery Type

N not quilted A

Q quilted A

Prices for Steps 1-2.

ST3BN	\$4060
ST3BQ	\$4148

Step 3. Upholstery

For quilted (Q)

Price Category 1	+\$0
Price Category (Geiger) 1	+\$266
Price Category 2	+\$320
Price Category (Geiger) 2	+\$320
Price Category 3	+\$402
Price Category (Geiger) 3	+\$402
Price Category 4	+\$490
Price Category (Geiger) 4	+\$490
Price Category 5	+\$715
Price Category (Geiger) 5	+\$715
Price Category (Geiger) 6	+\$938
Price Category (Geiger) 7	+\$1164
Price Category (Geiger) 8	+\$1782
Price Category 9	+\$2210
Price Category (Geiger) 9	+\$2210
Price Category (Geiger) 10	+\$2543
Price Category 11	+\$2332
Price Category (Geiger) 11	+\$2850
Price Category (Geiger) 14	+\$3733
Price Category (Geiger) A	+\$226
Price Category (Geiger) C	+\$361
Price Category D	+\$476
Price Category (Geiger) D	+\$476
Price Category (Geiger) E	+\$580
Price Category F	+\$694
Price Category (Geiger) F	+\$694
Price Category G	+\$946
Price Category (Geiger) G	+\$946
Price Category (Geiger) H	+\$1177
Price Category (Geiger) I	+\$1422
Price Category (Geiger) J	+\$1667
Price Category (Geiger) K	+\$1912

Tuxedo Component Lounge™
Museum Bench *continued*

Price Category (Geiger) L	+\$2156
Price Category (Geiger) M	+\$2401
Price Category (Geiger) N	+\$2646
Price Category (Geiger) O	+\$2891
Price Category (Geiger) P	+\$3127
Price Category (Geiger) Q	+\$3611
Price Category (Geiger) R	+\$5032
Price Category (Geiger) V	+\$6527
Price Category (Geiger) Z	+\$8026
Price Category (Geiger) COL <input type="checkbox"/>	+\$475
Price Category (Geiger) COM <input type="checkbox"/>	+\$0

For not quilted (N)

Price Category 1	+\$0
Price Category (Geiger) 1	+\$266
Price Category 2	+\$320
Price Category (Geiger) 2	+\$320
Price Category 3	+\$402
Price Category (Geiger) 3	+\$402
Price Category 4	+\$490
Price Category (Geiger) 4	+\$490
Price Category 5	+\$715
Price Category (Geiger) 5	+\$715
Price Category (Geiger) 6	+\$938
Price Category (Geiger) 7	+\$1164
Price Category (Geiger) 8	+\$1782
Price Category 9	+\$2210
Price Category (Geiger) 9	+\$2210
Price Category (Geiger) 10	+\$2543
Price Category 11	+\$2332
Price Category (Geiger) 11	+\$2850
Price Category (Geiger) 14	+\$3733
Price Category (Geiger) A	+\$226
Price Category (Geiger) C	+\$361
Price Category D	+\$476
Price Category (Geiger) D	+\$476
Price Category (Geiger) E	+\$580
Price Category F	+\$694
Price Category (Geiger) F	+\$694
Price Category G	+\$946
Price Category (Geiger) G	+\$946
Price Category (Geiger) H	+\$1177
Price Category (Geiger) I	+\$1422
Price Category (Geiger) J	+\$1667
Price Category (Geiger) K	+\$1912
Price Category (Geiger) L	+\$2156
Price Category (Geiger) M	+\$2401

Price Category (Geiger) N	+\$2646
Price Category (Geiger) O	+\$2891
Price Category (Geiger) P	+\$3127
Price Category (Geiger) Q	+\$3611
Price Category (Geiger) R	+\$5032
Price Category (Geiger) V	+\$6527
Price Category (Geiger) X	+\$7274
Price Category (Geiger) Y	+\$7649
Price Category (Geiger) Z	+\$8026
Price Category (Geiger) COL <input type="checkbox"/>	+\$475
Price Category (Geiger) COM <input type="checkbox"/>	+\$0

Step 4. Base Finish

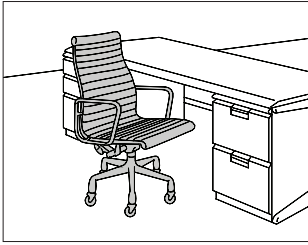
926 black <input type="checkbox"/>	+\$0
AS arctic silver <input type="checkbox"/>	+\$0
WHT white <input type="checkbox"/>	+\$0
CHR chrome <input type="checkbox"/>	+\$671
SAC satin chrome <input type="checkbox"/>	+\$671

Step 5. Fire Retardancy

NOCAL not fire retardant <input type="checkbox"/>	+\$0
----------------------------------------------------------	------

Eames® Aluminum Group Executive Chair

EA337



Product Information

Description

This high-back chair with arms or arms with arm pads has a lightweight aluminum frame with suspended upholstery. It has a 5-star base with casters, tilt-swivel mechanism, and manual seat-height adjustment or pneumatic seat-height adjustment and tilt lock feature.

Notes

For use in shared or collaborative spaces with multiple users, the manual seat-height adjustment or armless option with pneumatic adjustment is recommended. These options reduce the likelihood of interference with tables resulting in damage due to user adjustment over time.

Chair sizes shown in illustrations are nominal.

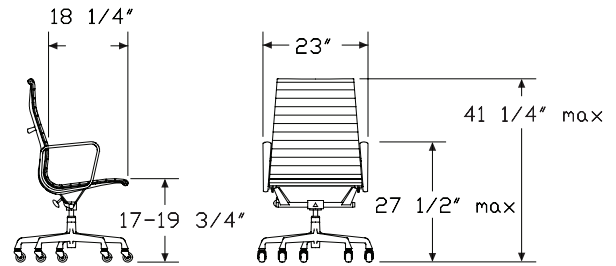
For description of casters, see Casters and Glides in Appendices.

Arm pad material is leather with limited color options available. Not available as COM or COL.

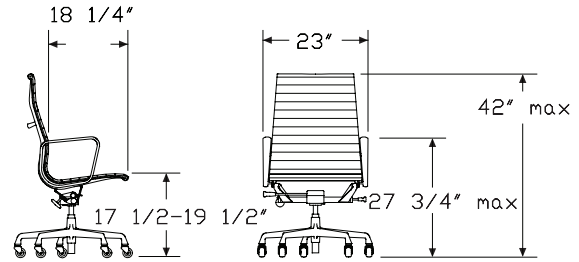
Customer's Own Material (COM) requires 1½ yards. Customer's Own Leather (COL) requires 45 square feet. See Order Information in Appendices.

HermanMiller Ancillary-Work Chairs

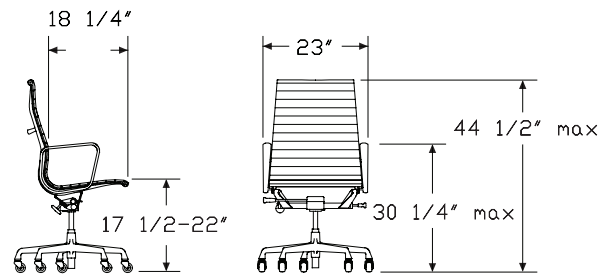
Dimensions



Manual



Pneumatic, standard-height range



Pneumatic, extended-height range

Eames® Aluminum Group Executive
Chair *continued*

Specification Information

Step 1.

EA33 A

Step 2. Seat-Height Adjustment/Arms

7	manual seat-height adjustment, arms A
7P	pneumatic seat-height adjustment, standard-height range with tilt lock, arms A
7E	pneumatic seat-height adjustment, extended-height range with tilt lock, arms A
72	manual seat-height adjustment, arms with arm pads A
7P2	pneumatic seat-height adjustment, standard-height range with tilt lock, arms with arm pads A
7E2	pneumatic seat-height adjustment, extended-height range with tilt lock, arms with arm pads A

Prices for Steps 1-2.

EA337	\$2749
EA337P	\$2995
EA337E	\$3097
EA3372	\$2856
EA337P2	\$3102
EA337E2	\$3204

Step 3. Casters

BSC	2" soft double wheel caster, hard floors or carpet, black A	+\$0
MD	2" soft double wheel caster, hard floors or carpet, chrome A	+\$0
UD	2" hard double wheel caster, carpet, black painted A	+\$0
VD	2" hard double wheel caster, carpet, chrome A	+\$0

Step 4. Base Finish

G1	graphite (CP) A	+\$0
L	polished aluminum A	+\$0
BK	black A	+\$28
91	white (CP) A	+\$28
EP	eggplant A	+\$28

Step 5. Frame Finish

For polished aluminum (L)

L	polished aluminum A	+\$0
---	-----------------------------------------------------------------------------------	------

For black (BK)

BK	black A	+\$107
----	-----------------------------------------------------------------------	--------

For graphite (CP) (G1)

G1	graphite (CP) A	+\$0
----	-------------------------------------------------------------------------------	------

For white (CP) (91)

91	white (CP) A	+\$107
----	----------------------------------------------------------------------------	--------

For eggplant (EP)

EP	eggplant A	+\$107
----	--------------------------------------------------------------------------	--------

Step 6. Fabric

See application chart and textiles list for fabric usage and numbers. First 2 digits of number indicate fabric line; remaining digit(s) indicate fabric color.

Price Category 1	+\$0
Price Category 2	+\$68
Price Category 3	+\$155
Price Category 4	+\$222
Price Category (Geiger) 4	+\$172
Price Category 5	+\$280
Price Category (Geiger) 5	+\$280
Price Category 7	+\$298
Price Category (Geiger) 7	+\$223
Price Category 8	+\$437
Price Category 9	+\$768
Price Category (Geiger) 10	+\$869
Price Category 10M	+\$1040
Price Category 11	+\$950
Price Category B	+\$61
Price Category C	+\$84
Price Category D	+\$106
Price Category (DWR) 4	+\$185
Price Category E	+\$128
Price Category F	+\$166
Price Category G	+\$215
Price Category H	+\$262
Price Category J	+\$353
Price Category R	+\$1591

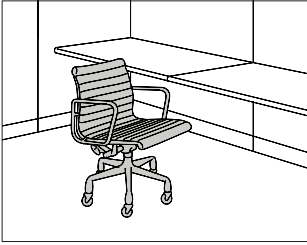
Step 7. Arm Pad Fabric

For manual seat-height adjustment, arms with arm pads (72), pneumatic seat-height adjustment, standard-height range with tilt lock, arms with arm pads (7P2), or pneumatic seat-height adjustment, extended-height range with tilt lock, arms with arm pads (7E2)

Price Category R	+\$10
------------------	-------

Eames® Aluminum Group
Management Chair

EA334
EA335



Product Information

Description

This low-back chair has a lightweight aluminum frame with suspended upholstery and comes with or without arms, or with arms with arm pads. It has a 5-star base, tilt-swivel mechanism, and manual seat-height adjustment or pneumatic seat-height adjustment and tilt lock feature. The chair is available with casters or glides. The chair with glides includes 1/2" (GD) glides for hard floors or carpet.

Notes

For use in shared or collaborative spaces with multiple users, the manual seat-height adjustment or armless option with pneumatic adjustment is recommended. These options reduce the likelihood of interference with tables resulting in damage due to user adjustment over time.

Chair sizes shown in illustrations are nominal.

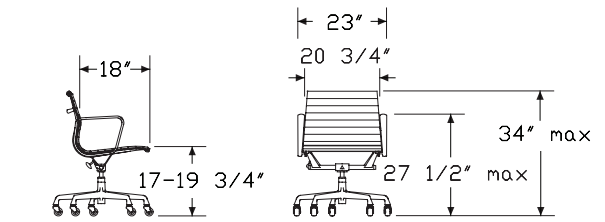
For description of casters and glides, see Casters and Glides in Appendices.

Arm pad material is leather with limited color options available. Not available as COM or COL.

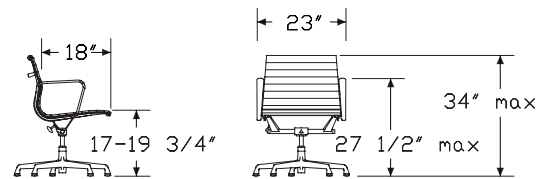
Customer's Own Material (COM) requires 1 1/3 yards. Customer's Own Leather (COL) requires 45 square feet. See Order Information in Appendices.

HermanMiller Ancillary-Work Chairs

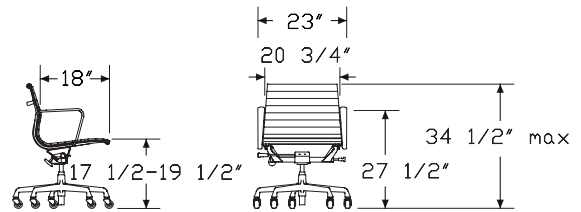
Dimensions



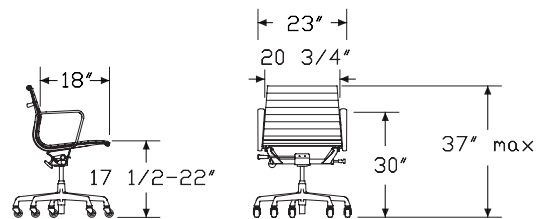
Casters



Glides



Pneumatic, standard-height range



Pneumatic, extended-height range

Specification Information

Step 1.

EA33 A

Step 2. Casters/Glides/Seat-Height Adjustment/Arms

5	casters with manual seat-height adjustment, arms
4	glides with manual seat-height adjustment, arms A
5P	casters with pneumatic seat-height adjustment, standard-height range with tilt lock, arms
5E	casters with pneumatic seat-height adjustment, extended-height range with tilt lock, arms A
52	casters with manual seat-height adjustment, arms with arm pads A
42	glides with manual seat-height adjustment, arms with arm pads A
5P2	casters with pneumatic seat-height adjustment, standard-height range with tilt lock, arms with arm pads A
5E2	casters with pneumatic seat-height adjustment, extended-height range with tilt lock, arms with arm pads A
5N	casters with manual seat-height adjustment, no arms
5PN	casters with pneumatic seat-height adjustment, no arms. standard-height range
5EN	casters with pneumatic seat-height adjustment, no arms, extended-height range A

Prices for Steps 1-2.

EA335	\$2518
EA334	\$2518
EA335P	\$2765
EA335E	\$2866
EA3352	\$2625
EA3342	\$2625
EA335P2	\$2872
EA335E2	\$2973
EA335N	\$1881
EA335PN	\$2126
EA335EN	\$2228

Step 3. Casters

For casters with manual seat-height adjustment, arms (5), casters with pneumatic seat-height adjustment, standard-height range with tilt lock, arms (5P), casters with pneumatic seat-height adjustment, extended-height range with tilt lock, arms (5E), casters with manual seat-height adjustment, arms with arm pads (52), casters with pneumatic seat-height adjustment, standard-height range with tilt lock, arms with arm pads (5P2), casters with pneumatic seat-height adjustment, extended-height range with tilt lock, arms with arm pads (5E2), casters with manual seat-height adjustment, no arms (5N), casters with pneumatic seat-height adjustment, no arms. standard-height range (5PN), or casters with pneumatic seat-height adjustment, no arms, extended-height range (5EN)

BSC	2" soft double wheel caster, hard floors or carpet, black A	+\$0
MD	2" soft double wheel caster, hard floors or carpet, chrome	+\$0
UD	2" hard double wheel caster, carpet, black painted	+\$0
VD	2" hard double wheel caster, carpet, chrome	+\$0

Step 4. Base Finish

G1	graphite (CP) A	+\$0
L	polished aluminum	+\$0
BK	black A	+\$28
91	white (CP) A	+\$28
EP	eggplant A	+\$28

Step 5. Frame Finish

For polished aluminum (L)

L	polished aluminum	+\$0
----------	-------------------	------

For black (BK)

BK	black A	+\$107
-----------	-----------------------------------------------------------------------	--------

For graphite (CP) (G1)

G1	graphite (CP) A	+\$0
-----------	-------------------------------------------------------------------------------	------

For white (CP) (91)

91	white (CP) A	+\$107
-----------	----------------------------------------------------------------------------	--------

For eggplant (EP)

EP	eggplant A	+\$107
-----------	--------------------------------------------------------------------------	--------

Eames® Aluminum Group
Management Chair *continued*

HermanMiller Ancillary-Work Chairs

Step 6. Fabric

See application chart and textiles list for fabric usage and numbers. First 2 digits of number indicate fabric line; remaining digit(s) indicate fabric color.

Price Category 1	+\$0
Price Category 2	+\$60
Price Category 3	+\$112
Price Category 4	+\$172
Price Category (Geiger) 4	+\$172
Price Category 5	+\$211
Price Category (Geiger) 5	+\$211
Price Category 7	+\$223
Price Category (Geiger) 7	+\$223
Price Category 8	+\$437
Price Category 9	+\$731
Price Category (Geiger) 10	+\$827
Price Category 10M	+\$1040
Price Category 11	+\$950
Price Category B	+\$47
Price Category C	+\$68
Price Category D	+\$94
Price Category (DWR) 4	+\$143
Price Category E	+\$113
Price Category F	+\$146
Price Category G	+\$191
Price Category H	+\$232
Price Category J	+\$313
Price Category R	+\$1544

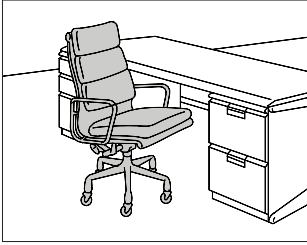
Step 7. Arm Pad Fabric

For casters with manual seat-height adjustment, arms with arm pads (52), glides with manual seat-height adjustment, arms with arm pads (42), casters with pneumatic seat-height adjustment, standard-height range with tilt lock, arms with arm pads (5P2), or casters with pneumatic seat-height adjustment, extended-height range with tilt lock, arms with arm pads (5E2)

Price Category 11	+\$0
Price Category R	+\$10

Eames® Soft Pad Group Executive Chair

EA437



Product Information

Description

This high-back chair with arms or arms with arm pads has a lightweight aluminum frame and 2"-thick upholstered foam cushions. It has a 5-star base with casters, tilt-swivel mechanism, and manual seat-height adjustment or pneumatic seat-height adjustment and tilt lock feature.

Notes

For use in shared or collaborative spaces with multiple users, the manual seat-height adjustment or armless option with pneumatic adjustment is recommended. These options reduce the likelihood of interference with tables resulting in damage due to user adjustment over time.

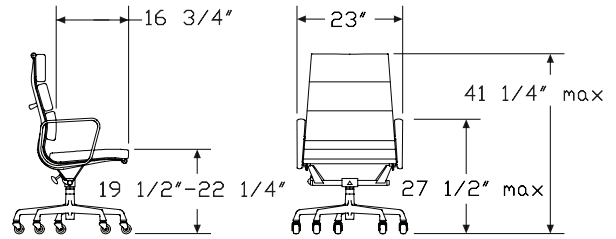
Chair sizes shown in illustrations are nominal.

For description of casters, see Casters and Glides in Appendices.

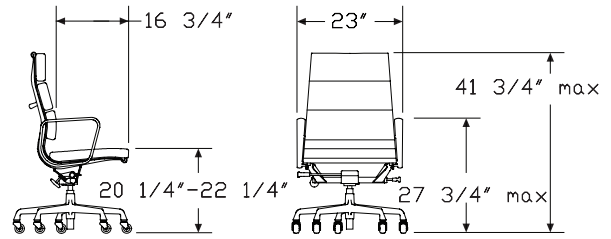
Arm pad material is leather with limited color options available. Not available as COM or COL.

Customer's Own Material (COM) requires 3 yards. Customer's Own Leather (COL) requires 56 square feet. See Order Information in Appendices.

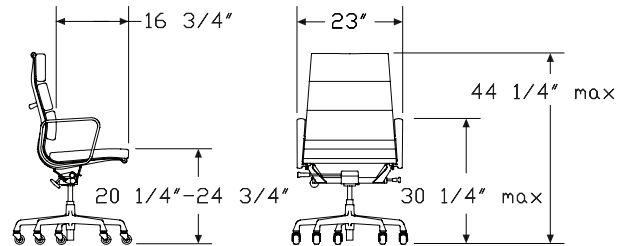
Dimensions



Manual



Pneumatic, standard-height range



Pneumatic, extended-height range

HermanMiller Ancillary-Work Chairs

Eames® Soft Pad Group Executive
Chair *continued*

HermanMiller Ancillary-Work Chairs

Specification Information

Step 1.

EA43 A

Step 2. Seat-Height Adjustment/Arms

7	manual seat-height adjustment, arms	<input type="checkbox"/> A
7P	pneumatic seat-height adjustment, standard-height range with tilt lock, arms	<input type="checkbox"/> A
7E	pneumatic seat-height adjustment, extended-height range with tilt lock, arms	<input type="checkbox"/> A
72	manual seat-height adjustment, arms with arm pads	<input type="checkbox"/> A
7P2	pneumatic seat-height adjustment, standard-height range with tilt lock, arms with arm pads	<input type="checkbox"/> A
7E2	pneumatic seat-height adjustment, extended-height range with tilt lock, arms with arm pads	<input type="checkbox"/> A

Prices for Steps 1-2.

EA437	\$4746
EA437P	\$4988
EA437E	\$5090
EA4372	\$4853
EA437P2	\$5095
EA437E2	\$5197

Step 3. Casters

BSC	2" soft double wheel caster, hard floors or carpet, black	<input type="checkbox"/> A	+\$0
MD	2" soft double wheel caster, hard floors or carpet, chrome	<input type="checkbox"/> A	+\$0
UD	2" hard double wheel caster, carpet, black painted	<input type="checkbox"/> A	+\$0
VD	2" hard double wheel caster, carpet, chrome	<input type="checkbox"/> A	+\$0

Step 4. Base Finish

G1	graphite (CP)	<input type="checkbox"/> A	+\$0
L	polished aluminum	<input type="checkbox"/> A	+\$0
BK	black	<input type="checkbox"/> A	+\$28
91	white (CP)	<input type="checkbox"/> A	+\$28
EP	eggplant	<input type="checkbox"/> A	+\$28

Step 5. Frame Finish

For polished aluminum (L)

L	polished aluminum	<input type="checkbox"/> A	+\$0
---	-------------------	----------------------------	------

For black (BK)

BK	black	<input type="checkbox"/> A	+\$107
----	-------	----------------------------	--------

For graphite (CP) (G1)

G1	graphite (CP)	<input type="checkbox"/> A	+\$0
----	---------------	----------------------------	------

For white (CP) (91)

91	white (CP)	<input type="checkbox"/> A	+\$107
----	------------	----------------------------	--------

For eggplant (EP)

EP	eggplant	<input type="checkbox"/> A	+\$107
----	----------	----------------------------	--------

Step 6. Fabric

See application chart and textiles list for fabric usage and numbers. First 2 digits of number indicate fabric line; remaining digit(s) indicate fabric color.

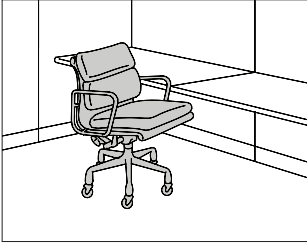
Price Category 1	+\$0
Price Category 2	+\$88
Price Category 3	+\$203
Price Category 4	+\$324
Price Category 5	+\$407
Price Category (Geiger) 5	+\$407
Price Category 7	+\$432
Price Category (Geiger) 7	+\$432
Price Category 8	+\$546
Price Category 9	+\$752
Price Category 10	+\$841
Price Category (Geiger) 10	+\$841
Price Category 10M	+\$1352
Price Category 11	+\$1158
Price Category B	+\$119
Price Category D	+\$211
Price Category (DWR) 4	+\$270
Price Category E	+\$256
Price Category F	+\$330
Price Category G	+\$430
Price Category H	+\$522
Price Category I	+\$613
Price Category J	+\$706
Price Category L	+\$888
Price Category P	+\$1255
Price Category R	+\$2518

Eames® Soft Pad Group Executive
Chair *continued*

Step 7. Arm Pad Fabric

*For manual seat-height adjustment, arms with arm pads (72),
pneumatic seat-height adjustment, standard-height range with
tilt lock, arms with arm pads (7P2), or pneumatic seat-height
adjustment, extended-height range with tilt lock, arms with arm
pads (7E2)*

Price Category 11	+\$0
Price Category R	+\$10



Product Information

Description

This low-back chair has a lightweight aluminum frame, 2"-thick upholstered foam cushions, and comes with or without arms, or with arms with arm pads. It has a 5-star base, tilt-swivel mechanism, and manual seat-height adjustment or pneumatic seat-height adjustment and tilt lock feature. The chair is available with casters or glides. The chair with glides includes 1/2" (GD) glides for hard floors or carpet.

Notes

For use in shared or collaborative spaces with multiple users, the manual seat-height adjustment or armless option with pneumatic adjustment is recommended. These options reduce the likelihood of interference with tables resulting in damage due to user adjustment over time.

Chair sizes shown in illustrations are nominal.

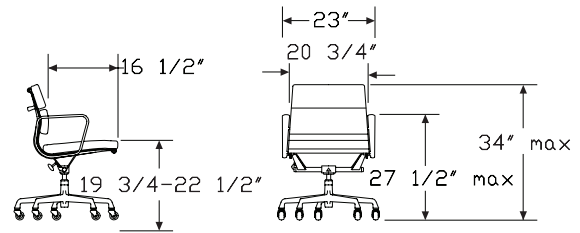
For description of casters and glides, see Casters and Glides in Appendices.

Arm pad material is leather with limited color options available. Not available as COM or COL.

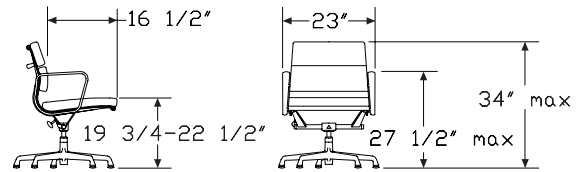
Customer's Own Material (COM) requires 2 1/2 yards. Customer's Own Leather (COL) requires 45 square feet. See Order Information in Appendices.

HermanMiller Ancillary-Work Chairs

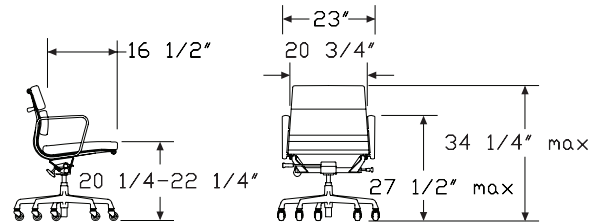
Dimensions



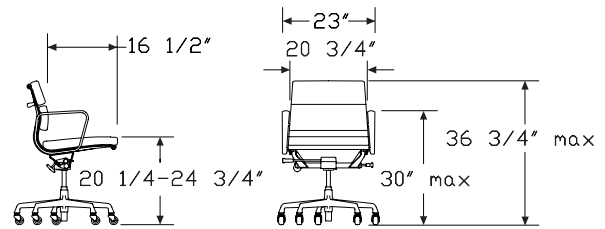
Casters



Glides



Pneumatic, standard-height range



Pneumatic, extended-height range

Eames® Soft Pad Group Management
Chair *continued*

Specification Information

Step 1.

EA43

Step 2. Casters/Glides/Seat-Height Adjustment/Arms

5	casters with manual seat-height adjustment, arms <input type="checkbox"/>
4	glides with manual seat-height adjustment, arms <input type="checkbox"/>
5P	casters with pneumatic seat-height adjustment, standard-height range with tilt lock, arms <input type="checkbox"/>
5E	casters with pneumatic seat-height adjustment, extended-height range with tilt lock, arms <input type="checkbox"/>
52	casters with manual seat-height adjustment, arms with arm pads <input type="checkbox"/>
42	glides with manual seat-height adjustment, arms with arm pads <input type="checkbox"/>
5P2	casters with pneumatic seat-height adjustment, standard-height range with tilt lock, arms with arm pads <input type="checkbox"/>
5E2	casters with pneumatic seat-height adjustment, extended-height range with tilt lock, arms with arm pads <input type="checkbox"/>
5N	casters with manual seat-height adjustment, no arms <input type="checkbox"/>
5PN	casters with pneumatic seat-height adjustment, no arms. standard-height range <input type="checkbox"/>
5EN	casters with pneumatic seat-height adjustment, no arms, extended-height range <input type="checkbox"/>

Prices for Steps 1-2.

EA435	\$3963
EA434	\$3963
EA435P	\$4222
EA435E	\$4326
EA4352	\$4070
EA4342	\$4070
EA435P2	\$4329
EA435E2	\$4433
EA435N	\$3327
EA435PN	\$3590
EA435EN	\$3690

Step 3. Casters

For casters with manual seat-height adjustment, arms (5), casters with pneumatic seat-height adjustment, standard-height range with tilt lock, arms (5P), casters with pneumatic seat-height adjustment, extended-height range with tilt lock, arms (5E), casters with manual seat-height adjustment, arms with arm pads (52), casters with pneumatic seat-height adjustment, standard-height range with tilt lock, arms with arm pads (5P2), casters with pneumatic seat-height adjustment, extended-height range with tilt lock, arms with arm pads (5E2), casters with manual seat-height adjustment, no arms (5N), casters with pneumatic seat-height adjustment, no arms. standard-height range (5PN), or casters with pneumatic seat-height adjustment, no arms, extended-height range (5EN)

BSC	2" soft double wheel caster, hard floors or carpet, black <input type="checkbox"/>	+\$0
MD	2" soft double wheel caster, hard floors or carpet, chrome <input type="checkbox"/>	+\$0
UD	2" hard double wheel caster, carpet, black painted <input type="checkbox"/>	+\$0
VD	2" hard double wheel caster, carpet, chrome <input type="checkbox"/>	+\$0

Step 4. Base Finish

G1	graphite (CP) <input type="checkbox"/>	+\$0
L	polished aluminum <input type="checkbox"/>	+\$0
BK	black <input type="checkbox"/>	+\$28
91	white (CP) <input type="checkbox"/>	+\$28
EP	eggplant <input type="checkbox"/>	+\$28

Step 5. Frame Finish

For polished aluminum (L)

L	polished aluminum <input type="checkbox"/>	+\$0
----------	--------------------------------------------	------

For black (BK)

BK	black <input type="checkbox"/>	+\$107
-----------	--------------------------------	--------

For graphite (CP) (G1)

G1	graphite (CP) <input type="checkbox"/>	+\$0
-----------	----------------------------------------	------

For white (CP) (91)

91	white (CP) <input type="checkbox"/>	+\$107
-----------	-------------------------------------	--------

For eggplant (EP)

EP	eggplant <input type="checkbox"/>	+\$107
-----------	-----------------------------------	--------

Eames® Soft Pad Group Management

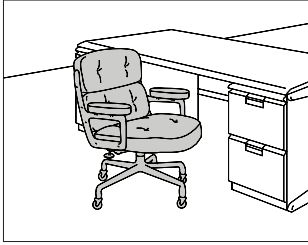
Chair *continued*

Step 6. Fabric
See application chart and textiles list for fabric usage and numbers. First 2 digits of number indicate fabric line; remaining digit(s) indicate fabric color.

Price Category 1	+\$0
Price Category 2	+\$88
Price Category 3	+\$188
Price Category 4	+\$290
Price Category 5	+\$349
Price Category (Geiger) 5	+\$349
Price Category 7	+\$356
Price Category (Geiger) 7	+\$356
Price Category 8	+\$437
Price Category 9	+\$710
Price Category 10	+\$706
Price Category (Geiger) 10	+\$803
Price Category 10M	+\$1087
Price Category 11	+\$950
Price Category B	+\$77
Price Category C	+\$96
Price Category D	+\$180
Price Category (DWR) 4	+\$242
Price Category E	+\$210
Price Category F	+\$294
Price Category G	+\$377
Price Category H	+\$502
Price Category I	+\$628
Price Category J	+\$745
Price Category L	+\$955
Price Category P	+\$1199
Price Category R	+\$1584

Step 7. Arm Pad Fabric
For casters with manual seat-height adjustment, arms with arm pads (52), glides with manual seat-height adjustment, arms with arm pads (42), casters with pneumatic seat-height adjustment, standard-height range with tilt lock, arms with arm pads (5P2), or casters with pneumatic seat-height adjustment, extended-height range with tilt lock, arms with arm pads (5E2)

Price Category 11	+\$0
Price Category R	+\$10



Product Information

Description

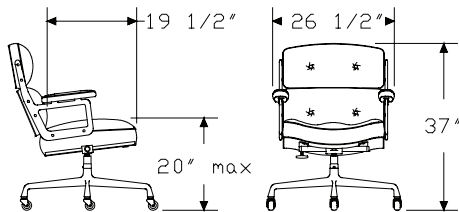
This upholstered chair has contoured seat and back cushions and padded armrests. The seat has a 4 1/2"-thick foam cushion and the back has 2 3"-thick foam cushions. It has a 5-star base, tilt-swivel mechanism, and seat-height adjustment. The chair is available with casters or glides. The chair with glides includes 1/2" (GD) glides for hard floors or carpet.

Notes

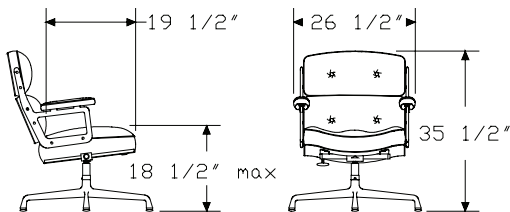
For description of casters and glides, see Casters and Glides in Appendices. Customer's Own Material (COM) requires 3 yards. Customer's Own Leather (COL) requires 52 square feet. See Order Information in Appendices.

Dimensions

Casters



Glides



Specification Information

Step 1.

ES204 [A] \$6048

Step 2. Casters/Glides

BSC	2" soft double wheel caster, hard floors or carpet, black [A]	+\$0
GD	1/2" glide, hard floors or carpet [A]	+\$0
MD	2" soft double wheel caster, hard floors or carpet, chrome [A]	+\$0
UD	2" hard double wheel caster, carpet, black painted [A]	+\$0
VD	2" hard double wheel caster, carpet, chrome [A]	+\$0

Step 3. Base Finish

L	polished aluminum [A]	+\$0
BK	black [A]	+\$17
91	white (CP) [A]	+\$22

Step 4. Frame Finish

For polished aluminum (L)

L	polished aluminum [A]	+\$0
----------	-----------------------	------

For black (BK)

BK	black [A]	+\$66
-----------	-----------	-------

For white (CP) (91)

91	white (CP) [A]	+\$82
-----------	----------------	-------

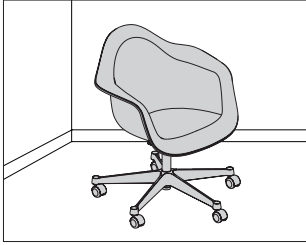
Step 5. Fabric

See application chart and textiles list for fabric usage and numbers. First 2 digits of number indicate fabric line; remaining digit(s) indicate fabric color.

Price Category 1	+\$0
Price Category 2	+\$90
Price Category 3	+\$203
Price Category 4	+\$324
Price Category 5	+\$407
Price Category (Geiger) 5	+\$407
Price Category 7	+\$432
Price Category (Geiger) 7	+\$432
Price Category (Geiger) 8	+\$622
Price Category 9	+\$779
Price Category 10	+\$847
Price Category (Geiger) 10	+\$847
Price Category 10M	+\$1463
Price Category 11	+\$1052
Price Category (Geiger) 11	+\$1052
Price Category B	+\$119
Price Category C	+\$166
Price Category D	+\$211
Price Category E	+\$256
Price Category F	+\$330
Price Category G	+\$430
Price Category H	+\$522
Price Category I	+\$613
Price Category J	+\$706
Price Category L	+\$888
Price Category O	+\$1524
Price Category P	+\$1255
Price Category Q	+\$1351
Price Category R	+\$2518
Price Category T	+\$2851
Price Category V	+\$2921

Eames® Task Chair, Arm Shell

PACCF.
PACCP.



Product Information

Description

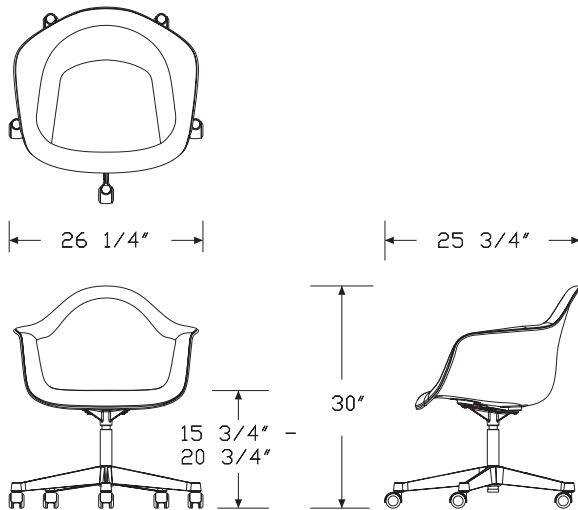
This task chair is an extension of the Eames® shell chair family, offering select shell and upholstery combinations on a 5-star base with a pneumatic height adjustment range of up to 5". The arm shell has a single-piece molded plastic or fiberglass shell with waterfall edges and available upholstery options. Shell color and upholstery options mirror the existing Eames Molded Plastic and Fiberglass Arm Chair portfolio. Task chair upholstered with textiles or leather is for indoor use only. Ships assembled.

Notes

For upholstered seat pad (P), Customer's Own Material (COM) requires 1/2 yard. Customer's Own Leather (COL) requires 9 square feet. See Order Information in appendices.

5-star base has 1/2" glides (GD) for hard floors or carpet. For description of glide, see Casters & Glides in appendices.

Dimensions



Specification Information

Step 1.

PACC A

Step 2. Material

P. plastic A

F. fiberglass A

Step 3. Upholstery

N nonupholstered A

P upholstered seat pad A

U fully upholstered shell A

Prices for Steps 1-3.

PACCP.N	\$1329
P	\$1498
U	\$1683
PACCF.N	\$1757
P	\$1933
U	\$2118

Step 4. Back Finish

For plastic (P.)

BKR brick red <input type="checkbox"/> A	+\$0
BLG blue green <input type="checkbox"/> A	+\$0
CC1 cocoa <input type="checkbox"/> A	+\$0
DYL deep yellow <input type="checkbox"/> A	+\$0
EVG evergreen <input type="checkbox"/> A	+\$0
LTY light grey <input type="checkbox"/> A	+\$0
MGR medium grey <input type="checkbox"/> A	+\$0
PBU pale blue <input type="checkbox"/> A	+\$0
RYG grey green <input type="checkbox"/> A	+\$0
ZA black <input type="checkbox"/> A	+\$0
ZE red orange <input type="checkbox"/> A	+\$0
ZF white <input type="checkbox"/> A	+\$0

For fiberglass (F.)

111 parchment <input type="checkbox"/> A	+\$0
112 elephant hide grey <input type="checkbox"/> A	+\$0
114 red orange <input type="checkbox"/> A	+\$0
117 navy blue <input type="checkbox"/> A	+\$0
118 black <input type="checkbox"/> A	+\$0
TCA terra cotta <input type="checkbox"/> A	+\$0
DKS dark seafoam <input type="checkbox"/> A	+\$0

Eames® Task Chair, Arm Shell

continued

HermanMiller Ancillary-Work Chairs

Step 5. Edge Finish		
<i>For fully upholstered shell (U)</i>		
111	parchment <input type="checkbox"/> A	+\$0
BK	black <input type="checkbox"/> A	+\$0
ZF	white <input type="checkbox"/> A	+\$0

Step 6. Fabric		
----------------	--	--

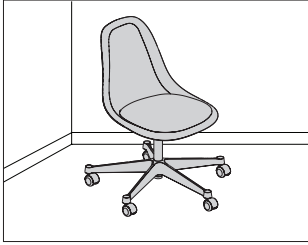
<i>For upholstered seat pad (P)</i>	
Price Category 1	+\$0
Price Category 2	+\$44
Price Category 3	+\$36
Price Category 4	+\$41
Price Category 5	+\$44
Price Category (Geiger) 5	+\$73
Price Category (Geiger) 6	+\$97
Price Category 7	+\$138
Price Category (Geiger) 7	+\$133
Price Category 8	+\$175
Price Category 9	+\$259
Price Category 10	+\$281
Price Category 11	+\$314
Price Category B	+\$36
Price Category C	+\$60
Price Category D	+\$83
Price Category F	+\$154
Price Category G	+\$204
Price Category I	+\$300
Price Category J	+\$348
Price Category K	+\$456
Price Category R	+\$793

<i>For fully upholstered shell (U)</i>	
Price Category 10	+\$281
Price Category 7	+\$138
Price Category 2	+\$31
Price Category 4	+\$41
Price Category 5	+\$44
Price Category 11	+\$314
Price Category B	+\$36
Price Category J	+\$348
Price Category K	+\$456

Step 7. Casters		
MD	2" soft double wheel caster, hard floors or carpet, chrome <input type="checkbox"/> A	+\$0
VD	2" hard double wheel caster, carpet, chrome <input type="checkbox"/> A	+\$0
BSC	2" soft double wheel caster, hard floors or carpet, black <input type="checkbox"/> A	+\$0
UD	2" hard double wheel caster, carpet, black painted <input type="checkbox"/> A	+\$0

Eames® Task Chair, Side Shell

PSCCD.
PSCCF.
PSCCP.
PSCCR.



Product Information

Description

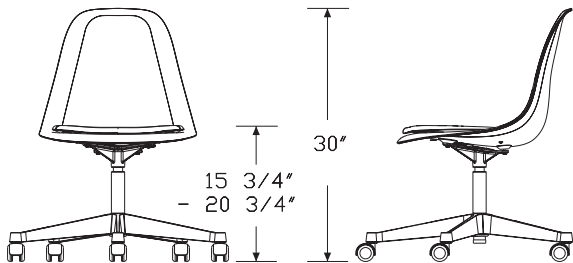
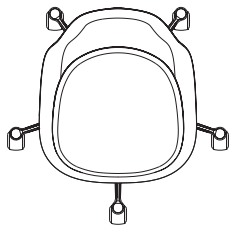
This task chair is an extension of the Eames® shell chair family, offering select shell and upholstery combinations on a 5-star base with a pneumatic height-adjustment range of up to 5". The plastic, fiberglass and wood side chairs have a single-piece molded shell with waterfall edges and available upholstery options. The wire shell is available with upholstered seat and back or with upholstered seat only. Wire shell is available in trivalent chrome or powder-coated white or black. Task chair upholstered with textiles or leather is for indoor use only. Ships assembled.

Notes

Customer's Own Material (COM) requires 1/2 yard. Customer's Own Leather (COL) requires 9 square feet.

5-star base has 1/2" glides (GD) for hard floors or carpet. For description of glide, see Casters & Glides in appendices.

Dimensions



Specification Information

Step 1.

PSCC A

Step 2. Material

- P. plastic A
- F. fiberglass A
- D. wood A
- R. wire A

Step 3. Upholstery

For plastic (P.) or fiberglass (F.)

- N nonupholstered A
- P upholstered seat pad A
- U fully upholstered shell A

For wood (D.)

- N nonupholstered A
- P upholstered seat pad A

For wire (R.)

- 2 wire shell/upholstered seat/back A
- 5 wire shell/upholstered seat/wire back A

Prices for Steps 1-3.

PSCCP.N	\$1131
P	\$1299
U	\$1436
PSCCF.N	\$1554
P	\$1728
U	\$1866
PSCCD.N	\$1859
P	\$2028
PSCCR.2	\$2427
5	\$1931

Eames® Task Chair, Side Shell

continued

HermanMiller Ancillary-Work Chairs

Step 4. Back Finish

For plastic (P.)

BKR	brick red <input type="checkbox"/>	+\$0
BLG	blue green <input type="checkbox"/>	+\$0
CC1	cocoa <input type="checkbox"/>	+\$0
DYL	deep yellow <input type="checkbox"/>	+\$0
EVG	evergreen <input type="checkbox"/>	+\$0
LTY	light grey <input type="checkbox"/>	+\$0
MGR	medium grey <input type="checkbox"/>	+\$0
PBU	pale blue <input type="checkbox"/>	+\$0
RYG	grey green <input type="checkbox"/>	+\$0
ZA	black <input type="checkbox"/>	+\$0
ZE	red orange <input type="checkbox"/>	+\$0
ZF	white <input type="checkbox"/>	+\$0

For fiberglass (F.)

111	parchment <input type="checkbox"/>	+\$0
112	elephant hide grey <input type="checkbox"/>	+\$0
114	red orange <input type="checkbox"/>	+\$0
117	navy blue <input type="checkbox"/>	+\$0
118	black <input type="checkbox"/>	+\$0
TCA	terra cotta <input type="checkbox"/>	+\$0
DKS	dark seafoam <input type="checkbox"/>	+\$0

For wood (D.)

9N	santos palisander <input type="checkbox"/>	+\$289
A2	white ash <input type="checkbox"/>	+\$116
EN	ebony <input type="checkbox"/>	+\$116
OU	walnut <input type="checkbox"/>	+\$0

For wire (R.)

47	trivalent chrome <input type="checkbox"/>	+\$20
91	white (CP) <input type="checkbox"/>	+\$0
BK	black <input type="checkbox"/>	+\$0

Step 5. Edge Finish

For fully upholstered shell (U)

111	parchment <input type="checkbox"/>	+\$0
BK	black <input type="checkbox"/>	+\$0
ZF	white <input type="checkbox"/>	+\$0

Step 6. Fabric

For upholstered seat pad (P)

Price Category 1	+\$0
Price Category 2	+\$30
Price Category 3	+\$36
Price Category 4	+\$40
Price Category 5	+\$42
Price Category (Geiger) 5	+\$42
Price Category (Geiger) 6	+\$106
Price Category 7	+\$133
Price Category (Geiger) 7	+\$133
Price Category 8	+\$175
Price Category 9	+\$251
Price Category 10	+\$281
Price Category 11	+\$305
Price Category B	+\$36
Price Category C	+\$60
Price Category D	+\$83
Price Category F	+\$154
Price Category G	+\$204
Price Category H	+\$252
Price Category I	+\$300
Price Category J	+\$348
Price Category K	+\$456
Price Category R	+\$740

For fully upholstered shell (U)

Price Category 1 <input type="checkbox"/>	+\$0
Price Category 2	+\$30
Price Category 4	+\$41
Price Category 5	+\$42
Price Category 7	+\$133
Price Category 11	+\$305
Price Category B	+\$36
Price Category K	+\$456

For wire shell/upholstered seat/back (2)

Price Category 3	+\$36
Price Category 4	+\$40
Price Category 5	+\$71
Price Category 9	+\$251
Price Category 11	+\$305
Price Category D	+\$71
Price Category K	+\$456
Price Category R	+\$740

Eames® Task Chair, Side Shell

continued

For wire shell/upholstered seat/wire back (5)

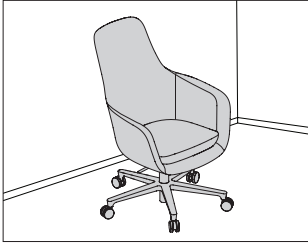
Price Category 2	+\$30
Price Category 3	+\$36
Price Category 4	+\$40
Price Category 5	+\$71
Price Category 9	+\$251
Price Category 11	+\$305
Price Category D	+\$71
Price Category K	+\$456
Price Category R	+\$740

Step 7. Casters

MD	2" soft double wheel caster, hard floors or carpet, chrome A	+\$0
VD	2" hard double wheel caster, carpet, chrome A	+\$0
BSC	2" soft double wheel caster, hard floors or carpet, black A	+\$0
UD	2" hard double wheel caster, carpet, black painted A	+\$0

Saiba Multitask Chair

SBN3H
SBN3M



Product Information

Description

This swivel chair has a high back or mid back and a 5-star base with dual wheel casters. It has a tilt mechanism with lock and an adjustable height range of 4 1/4". Seat frame is rigid urethane with polyurethane foam.

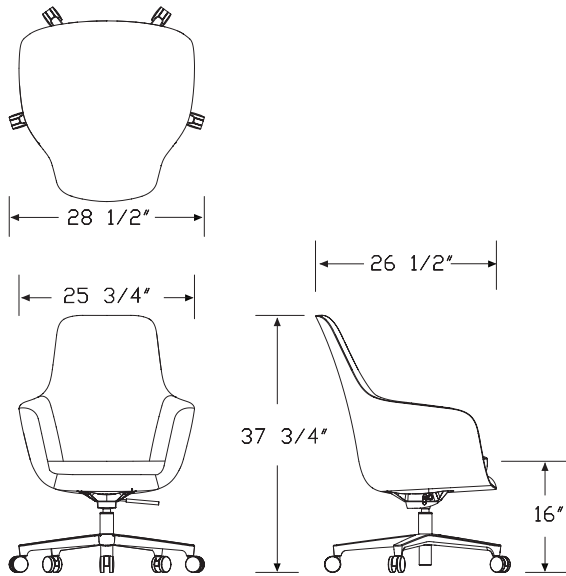
Notes

Cylinder and mechanism color will match base finish.

Casters available only in black.

Customer's Own Material (COM) requires 3 yards for high back (H) or 2 3/4 yards for mid back (M). Customer's Own Leather (COL) requires 54 square feet for high back (H) or 49 1/2 square feet for mid back (M). See Order Information in appendices.

Dimensions



Specification Information

Step 1.

SBN3 A

Step 2. Back Height

M mid back A

H high back A

Prices for Steps 1-2.

SBN3M	\$3035
SBN3H	\$3176

Step 3. Upholstery

For mid back (M)

Price Category 1	+ \$0
Price Category (Geiger) 1	+ \$149
Price Category 2	+ \$160
Price Category (Geiger) 2	+ \$160
Price Category 3	+ \$200
Price Category (Geiger) 3	+ \$200
Price Category 4	+ \$245
Price Category (Geiger) 4	+ \$245
Price Category 5	+ \$358
Price Category (Geiger) 5	+ \$358
Price Category (Geiger) 7	+ \$582
Price Category (Geiger) 8	+ \$892
Price Category 9	+ \$1105
Price Category (Geiger) 9	+ \$1105
Price Category (Geiger) 10	+ \$1272
Price Category (Geiger) 11	+ \$1424
Price Category (Geiger) C	+ \$182
Price Category F	+ \$350
Price Category G	+ \$475
Price Category (Geiger) H	+ \$589
Price Category (Geiger) R	+ \$2519
Price Category (Geiger) COL <input type="checkbox"/> A	+ \$0
Price Category (Geiger) COM <input type="checkbox"/> A	+ \$0

Saiba Multitask Chair *continued*

For high back (H)

Price Category 1	+\$0
Price Category (Geiger) 1	+\$162
Price Category 2	+\$220
Price Category (Geiger) 2	+\$220
Price Category 3	+\$220
Price Category (Geiger) 3	+\$220
Price Category 4	+\$268
Price Category (Geiger) 4	+\$268
Price Category 5	+\$390
Price Category (Geiger) 5	+\$390
Price Category (Geiger) 7	+\$635
Price Category (Geiger) 8	+\$972
Price Category 9	+\$1206
Price Category (Geiger) 9	+\$1206
Price Category (Geiger) 10	+\$1387
Price Category (Geiger) 11	+\$1554
Price Category (Geiger) C	+\$198
Price Category F	+\$382
Price Category G	+\$518
Price Category (Geiger) H	+\$642
Price Category (Geiger) R	+\$2747
Price Category (Geiger) COL <input type="checkbox"/> A	+\$0
Price Category (Geiger) COM <input type="checkbox"/> A	+\$0

Step 4. Base Finish

BK black <input type="checkbox"/> A	+\$0
CD polished aluminum <input type="checkbox"/> A	+\$0

Step 5. Caster Option

BB hard dual wheels, black yoke <input type="checkbox"/> A	+\$0
C7 soft dual wheels, black yoke <input type="checkbox"/> A	+\$35

Step 6. Fire Retardancy

For mid back (M)

NOCAL no cal-133 required <input type="checkbox"/> A	+\$0
-------------------------------------------------------------	------

For high back (H)

NOCAL no cal-133 required <input type="checkbox"/> A	+\$0
-------------------------------------------------------------	------

Taper Chair

- SFA1P
- SFA1S
- SFA1T
- SFA2P
- SFA2S
- SFA2T



Product Information

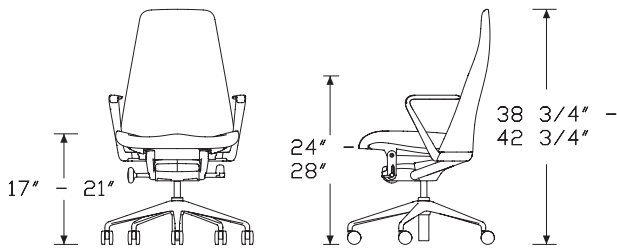
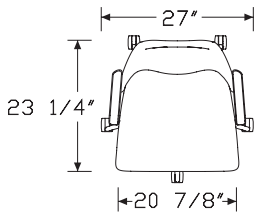
Description

This upholstered executive chair has a contoured high back that provides zonal support. The tilt mechanism uses a pair of adjustable carbon fiber leaf springs that control resistance. The suspended seat uses SuperSeat™ technology to create a deep seat pocket and responsive surface. This chair has a 5-star base with casters and pneumatic seat height adjustment. Fixed-height arms can be specified with either urethane or upholstery options.

Notes

Customer's Own Material (COM) requires 1¼ yards. Customer's Own Leather (COL) requires 31½ square feet. See Order Information in appendices.

Dimensions



Specification Information

Step 1.

SF A

Step 2. Back Height

A high back, full function tilt A

Step 3. Arms

1 upholstered arms A

2 urethane arms A

Step 4. Stitching Detail

P lapped edge with coordinating thread A

S single stitch with contrasting thread A

T single stitch with coordinating thread A

Prices for Steps 1-4.

SFA1P	\$2820
SFA1S	\$2751
SFA1T	\$2676
SFA2P	\$2736
SFA2S	\$2666
SFA2T	\$2588

Step 5. Upholstery

For single stitch with coordinating thread (T)

Price Category 3	+\$130
Price Category (Geiger) COL <input type="checkbox"/> A	+\$151
Price Category (Geiger) COM <input type="checkbox"/> A	+\$0
Price Category (Geiger) 1	+\$0
Price Category 2	+\$103
Price Category (Geiger) 2	+\$103
Price Category (Geiger) 3	+\$130
Price Category (Geiger) 4	+\$156
Price Category (Geiger) 5	+\$228
Price Category (Geiger) 6	+\$215
Price Category (Geiger) 7	+\$371
Price Category (Geiger) 8	+\$568
Price Category 8	+\$568
Price Category 9	+\$704
Price Category (Geiger) 10	+\$810
Price Category 11	+\$908
Price Category (Geiger) 11	+\$908
Price Category D	+\$154
Price Category F	+\$223
Price Category G	+\$216

Taper Chair *continued*

For lapped edge with coordinating thread (P)

Price Category 3	+\$130
Price Category (Geiger) COL A	+\$151
Price Category 2	+\$103
Price Category (Geiger) 2	+\$103
Price Category 8	+\$568
Price Category 9	+\$704
Price Category (Geiger) 10	+\$810
Price Category 11	+\$908
Price Category (Geiger) 11	+\$908

For single stitch with contrasting thread (S)

Price Category 3	+\$130
Price Category (Geiger) 1	+\$0
Price Category (Geiger) 2	+\$103
Price Category (Geiger) 4	+\$156
Price Category (Geiger) 5	+\$228
Price Category (Geiger) 6	+\$215
Price Category (Geiger) 7	+\$371
Price Category 8	+\$568
Price Category 9	+\$704
Price Category (Geiger) 10	+\$810
Price Category 11	+\$908
Price Category (Geiger) 11	+\$908
Price Category R	+\$1603

Step 6. Arm Upholstery

For upholstered arms (1)

Price Category 8	+\$37
Price Category 9	+\$41
Price Category (Geiger) 10	+\$48
Price Category 11	+\$53
Price Category (Geiger) 11	+\$53
Price Category R	+\$94
Price Category (Geiger) COL A	+\$0

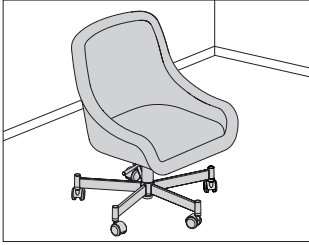
Step 7. Arm/Base Finish

CD polished aluminum A	+\$0
G1 graphite (CP) A	+\$0

Step 8. Casters

BB 2½" hard caster, black yoke, carpet only A	+\$0
C7 2½" caster, black yoke, hard floors or carpet A	+\$35

Bumper Low Arm Conference Chair, SBR5L 5 Star



Product Information

Description

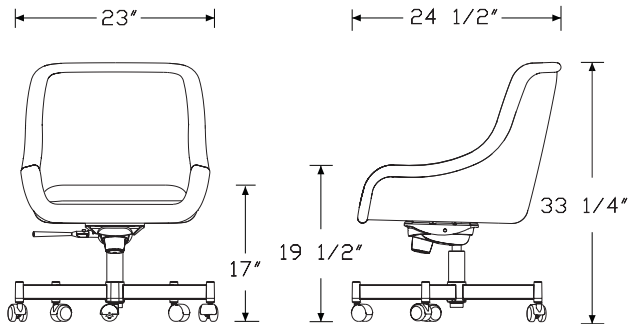
This conference chair has upholstered inner and outer shells and arm cap, each made from one continuous piece of fabric or leather, and an upholstered seat cushion. The frame is rigid molded urethane with foam inserts. The 5-star swivel base is polished cast aluminum with a chrome hooded dual black caster.

Notes

Customer's Own Material (COM) requires 2½ yards for the shell inside and outside, an additional 1¾ yards for the arm cap and cushion, or 4¼ yards when specifying entire chair in the same fabric. See Order Information in Appendices.

Customer's Own Leather (COL) requires 45 square feet for the shell inside and outside, an additional 31½ square feet for the arm cap and cushion, or 76½ square feet when specifying entire chair in the same leather. See Order Information in Appendices.

Dimensions



Specification Information

Step 1.

SBR5L [A] \$2840

Step 2. Shell Upholstery

Price Category 1	+\$103
Price Category (Geiger) 1	+\$103
Price Category 2	+\$123
Price Category (Geiger) 2	+\$123
Price Category 3	+\$153
Price Category (Geiger) 3	+\$153
Price Category 4	+\$188
Price Category (Geiger) 4	+\$188
Price Category 5	+\$273
Price Category (Geiger) 5	+\$273
Price Category (Geiger) 7	+\$443
Price Category (Geiger) 8	+\$675
Price Category 9	+\$838
Price Category (Geiger) 9	+\$838
Price Category (Geiger) 10	+\$965
Price Category (Geiger) 11	+\$1080
Price Category (Geiger) 14	+\$1415
Price Category (Geiger) C	+\$138
Price Category (Geiger) D	+\$183
Price Category (Geiger) E	+\$220
Price Category F	+\$265
Price Category (Geiger) F	+\$265
Price Category G	+\$360
Price Category (Geiger) G	+\$360
Price Category (Geiger) H	+\$448
Price Category (Geiger) I	+\$540
Price Category (Geiger) J	+\$633
Price Category (Geiger) K	+\$725
Price Category (Geiger) L	+\$818
Price Category (Geiger) M	+\$910
Price Category (Geiger) N	+\$1003
Price Category (Geiger) O	+\$1095
Price Category (Geiger) P	+\$1185
Price Category (Geiger) Q	+\$1368
Price Category (Geiger) R	+\$1908
Price Category (Geiger) S	+\$2048
Price Category (Geiger) T	+\$2190
Price Category (Geiger) U	+\$2333
Price Category (Geiger) X	+\$2758
Price Category (Geiger) Y	+\$2898
Price Category (Geiger) Z	+\$3040
Price Category (Geiger) COL	+\$180

Bumper Low Arm Conference Chair, 5 Star *continued*

Price Category (Geiger) COM A +\$0

Step 3. Arm Cap and Cushion Upholstery

Price Category 1	+\$72
Price Category (Geiger) 1	+\$72
Price Category 2	+\$86
Price Category (Geiger) 2	+\$86
Price Category 3	+\$107
Price Category (Geiger) 3	+\$107
Price Category 4	+\$132
Price Category (Geiger) 4	+\$132
Price Category 5	+\$191
Price Category (Geiger) 5	+\$191
Price Category (Geiger) 7	+\$310
Price Category (Geiger) 8	+\$473
Price Category 9	+\$587
Price Category (Geiger) 9	+\$587
Price Category (Geiger) 10	+\$676
Price Category (Geiger) 11	+\$756
Price Category (Geiger) 14	+\$991
Price Category (Geiger) C	+\$97
Price Category (Geiger) D	+\$128
Price Category (Geiger) E	+\$154
Price Category F	+\$186
Price Category (Geiger) F	+\$186
Price Category G	+\$252
Price Category (Geiger) G	+\$252
Price Category (Geiger) H	+\$314
Price Category (Geiger) I	+\$378
Price Category (Geiger) J	+\$443
Price Category (Geiger) K	+\$508
Price Category (Geiger) L	+\$573
Price Category (Geiger) M	+\$637
Price Category (Geiger) O	+\$767
Price Category (Geiger) P	+\$830
Price Category (Geiger) Q	+\$958
Price Category (Geiger) R	+\$1336
Price Category (Geiger) S	+\$1434
Price Category (Geiger) X	+\$1931
Price Category (Geiger) Y	+\$2029
Price Category (Geiger) Z	+\$2128
Price Category (Geiger) COL <input type="checkbox"/> A	+\$126
Price Category (Geiger) COM <input type="checkbox"/> A	+\$0

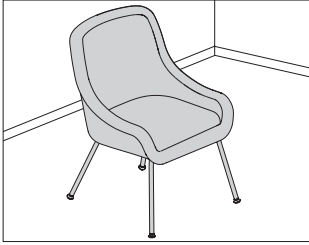
Step 4. Base Finish

CD polished aluminum A +\$0

Step 5. Caster Option

CHB chrome hood black hard dual wheels <input type="checkbox"/> A	+\$0
CHS chrome hood black soft dual wheels <input type="checkbox"/> A	+\$37

Bumper Low Arm Side Chair, 4 Leg SBRL



Product Information

Description

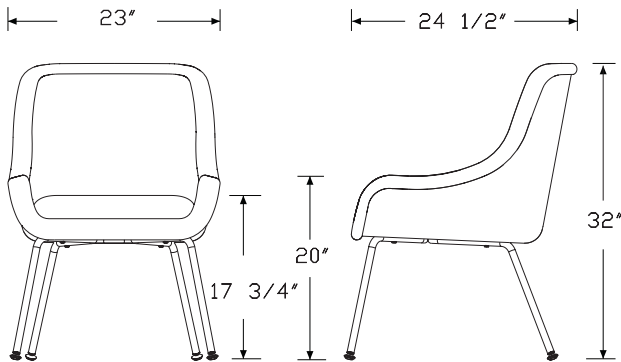
This side chair has upholstered inner and outer shells and arm cap, each made from one continuous piece of fabric or leather. It has an upholstered seat cushion. The frame is rigid molded urethane with foam inserts. The 4-leg base is plated steel, available in satin chrome.

Notes

Customer's Own Material (COM) requires 2½ yards for the shell inside and outside, an additional 1¾ yards for the arm cap and cushion, or 4¼ yards when specifying entire chair in the same fabric. See Order Information in Appendices.

Customer's Own Leather (COL) requires 45 square feet for the shell inside and outside, an additional 31½ square feet for the arm cap and cushion, or 76½ yards when specifying entire chair in the same leather. See Order Information in Appendices.

Dimensions



Specification Information

Step 1.

SBRL [A] \$2615

Step 2. Shell Upholstery

Price Category 1	+\$103
Price Category (Geiger) 1	+\$103
Price Category 2	+\$123
Price Category (Geiger) 2	+\$123
Price Category 3	+\$153
Price Category (Geiger) 3	+\$153
Price Category 4	+\$188
Price Category (Geiger) 4	+\$188
Price Category 5	+\$273
Price Category (Geiger) 5	+\$273
Price Category (Geiger) 7	+\$443
Price Category (Geiger) 8	+\$675
Price Category 9	+\$838
Price Category (Geiger) 9	+\$838
Price Category (Geiger) 10	+\$965
Price Category (Geiger) 11	+\$1080
Price Category (Geiger) 14	+\$1415
Price Category (Geiger) C	+\$138
Price Category (Geiger) D	+\$183
Price Category (Geiger) E	+\$220
Price Category F	+\$265
Price Category (Geiger) F	+\$265
Price Category G	+\$360
Price Category (Geiger) G	+\$360
Price Category (Geiger) H	+\$448
Price Category (Geiger) I	+\$540
Price Category (Geiger) J	+\$633
Price Category (Geiger) K	+\$725
Price Category (Geiger) L	+\$818
Price Category (Geiger) M	+\$910
Price Category (Geiger) N	+\$1003
Price Category (Geiger) O	+\$1095
Price Category (Geiger) P	+\$1185
Price Category (Geiger) Q	+\$1368
Price Category (Geiger) R	+\$1908
Price Category (Geiger) S	+\$2048
Price Category (Geiger) T	+\$2190
Price Category (Geiger) U	+\$2333
Price Category (Geiger) X	+\$2758
Price Category (Geiger) Y	+\$2898
Price Category (Geiger) Z	+\$3040
Price Category (Geiger) COL	+\$180

HermanMiller Ancillary-Work Chairs

Bumper Low Arm Side Chair, 4 Leg

continued

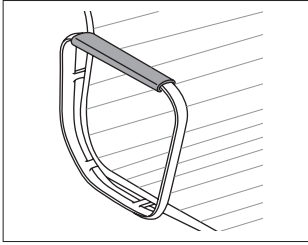
Price Category (Geiger) COM A +\$0

Step 3. Arm Cap and Cushion Upholstery

Price Category 1	+\$72
Price Category (Geiger) 1	+\$72
Price Category 2	+\$86
Price Category (Geiger) 2	+\$86
Price Category 3	+\$107
Price Category (Geiger) 3	+\$107
Price Category 4	+\$132
Price Category (Geiger) 4	+\$132
Price Category 5	+\$191
Price Category (Geiger) 5	+\$191
Price Category (Geiger) 7	+\$310
Price Category (Geiger) 8	+\$473
Price Category 9	+\$587
Price Category (Geiger) 9	+\$587
Price Category (Geiger) 10	+\$676
Price Category (Geiger) 11	+\$756
Price Category (Geiger) 14	+\$991
Price Category (Geiger) C	+\$97
Price Category (Geiger) D	+\$128
Price Category (Geiger) E	+\$154
Price Category F	+\$186
Price Category (Geiger) F	+\$186
Price Category G	+\$252
Price Category (Geiger) G	+\$252
Price Category (Geiger) H	+\$314
Price Category (Geiger) I	+\$378
Price Category (Geiger) J	+\$443
Price Category (Geiger) K	+\$508
Price Category (Geiger) L	+\$573
Price Category (Geiger) M	+\$637
Price Category (Geiger) O	+\$767
Price Category (Geiger) P	+\$830
Price Category (Geiger) Q	+\$958
Price Category (Geiger) R	+\$1336
Price Category (Geiger) S	+\$1434
Price Category (Geiger) X	+\$1931
Price Category (Geiger) Y	+\$2029
Price Category (Geiger) Z	+\$2128
Price Category (Geiger) COL <input type="checkbox"/> A	+\$126
Price Category (Geiger) COM <input type="checkbox"/> A	+\$0

Step 4. Base Finish

SAC satin chrome A +\$0



Product Information

Description

These leather arm caps retrofit to select Eames® Aluminum Group and Eames Soft Pad Group chairs. Caps are user applied without tools. Available as a single set of 2 arm caps or in bulk sets of 10 (20 total arm caps).

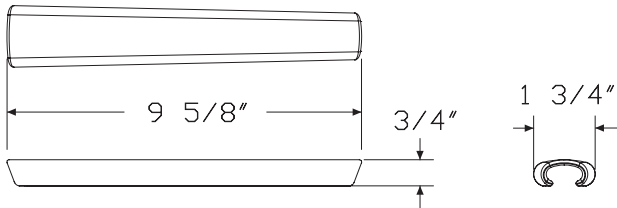
Notes

For bulk set of 10 arm caps, order Eames arm caps, package of 20 (EAC20), separately.

Eames arm caps are compatible with the following products:

- Eames Aluminum Group side chair (EA308)
- Eames Aluminum Group management chair (EA334, EA335)
- Eames Aluminum Group executive chair (EA337)
- Eames Soft Pad side chair (EA408)
- Eames Soft Pad Group management chair (EA434, EA435)
- Eames Soft Pad Group executive chair (EA437)

Dimensions



Specification Information

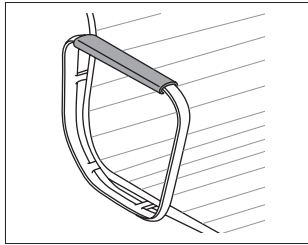
Step 1.

EAC02 [A] \$108

Step 2. Fabric

Price Category 11 +\$0

Price Category R +\$10



Product Information

Description

These leather arm caps retrofit to select Eames® Aluminum Group and Eames Soft Pad Group chairs. Caps are user applied without tools. Available in bulk sets of 10 (20 total arm caps) or as a single set of 2 arm caps.

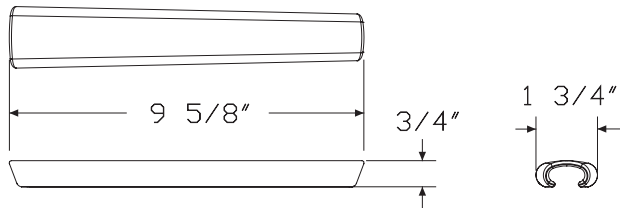
Notes

For single set of 2 arm caps, order Eames arm caps, package of 2 (EAC02), separately.

Eames arm caps are compatible with the following products:

- Eames Aluminum Group side chair (EA308)
- Eames Aluminum Group management chair (EA334, EA335)
- Eames Aluminum Group executive chair (EA337)
- Eames Soft Pad side chair (EA408)
- Eames Soft Pad Group management chair (EA434, EA435)
- Eames Soft Pad Group executive chair (EA437)

Dimensions



Specification Information

Step 1.

EAC20 A \$1071

Step 2. Fabric

Price Category 11 +\$0

Price Category R + \$100

Full Loop Office Chair

SL10
SL10W
SL1W
SL1WW



Product Information

Description

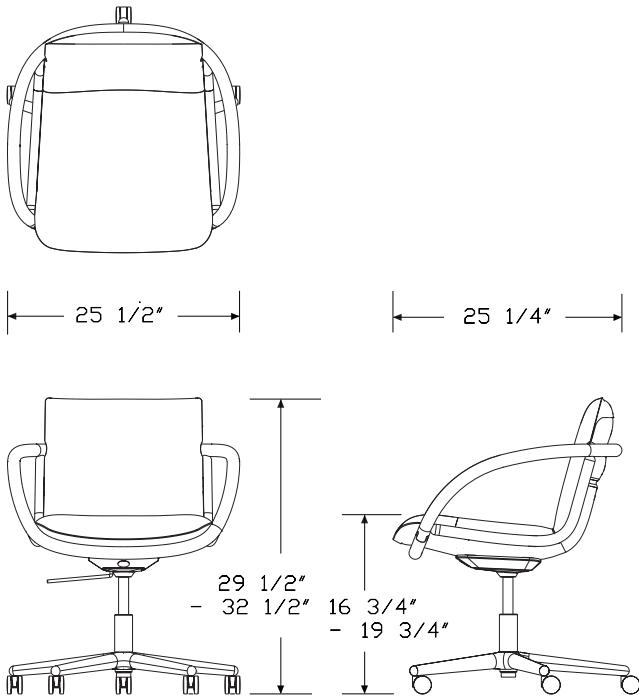
This conference chair has upholstered inner and outer shells and solid wood arms. Frame is rigid molded urethane with foam inserts. The 5-star swivel base is available in black or polished cast aluminum with casters.

Notes

Customers' Own Material (COM) requires 2¼ yards. Customers' Own Leather (COL) requires 40½ square feet, and arm wrap requires 1 square foot.

See Order Information in appendices.

Dimensions



HermanMiller Ancillary-Work Chairs

Specification Information

Step 1.

SL1 A

Step 2. Wood Arms

- O oak, no wrap A
- W walnut, no wrap A
- OW oak, with wrap A
- WW walnut, with wrap A

Prices for Steps 1-2.

SL10	\$2879
SL1W	\$3519
SL10W	\$3145
SL1WW	\$3785

Step 3. Upholstery

Price Category (Geiger) COM <input type="checkbox"/> A	+\$0
Price Category (Geiger) COL <input type="checkbox"/> A	+\$203
Price Category (Geiger) 2	+\$133
Price Category (Geiger) 3	+\$0
Price Category 3	+\$164
Price Category (Geiger) 4	+\$203
Price Category (Geiger) 5	+\$295
Price Category (Geiger) 7	+\$477
Price Category (Geiger) 8	+\$729
Price Category (Geiger) 9	+\$905
Price Category (Geiger) 10	+\$1047
Price Category (Geiger) 11	+\$1166

Step 4. Wood Finish

For oak, no wrap (O) or oak, with wrap (OW)

WHN Oak, Matte <input type="checkbox"/> A	+\$0
EN Ebonized Oak, Matte <input type="checkbox"/> A	+\$0

For walnut, no wrap (W) or walnut, with wrap (WW)

OU walnut <input type="checkbox"/> A	+\$0
--------------------------------------	------

Step 5. Arm Wrap Leather

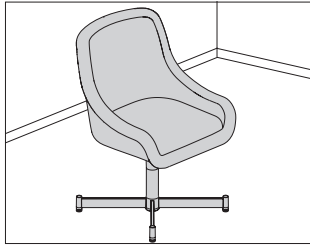
For oak, with wrap (OW) or walnut, with wrap (WW)

Price Category (Geiger) 11	+\$0
----------------------------	------

Step 6. Base Finish

BK black <input type="checkbox"/> A	+\$0
CD polished aluminum <input type="checkbox"/> A	+\$0

Bumper Low Arm Side Chair, 4 Star SBR4L



Product Information

Description

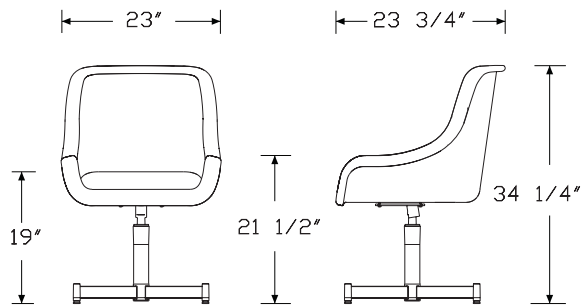
This side chair has upholstered inner and outer shells and arm cap, each made from one continuous piece of fabric or leather, and an upholstered seat cushion. The frame is rigid molded urethane with foam inserts. The 4-star swivel base is polished cast aluminum with black glides.

Notes

Customer's Own Material (COM) requires 2½ yards for the shell inside and outside, an additional 1¼ yards for the arm cap and cushion, or 4¼ yards when specifying entire chair in the same fabric. See Order Information in Appendices.

Customer's Own Leather (COL) requires 45 square feet for the shell inside and outside, an additional 31½ square feet for the arm cap and cushion, or 76½ yards when specifying entire chair in the same leather. See Order Information in Appendices.

Dimensions



Specification Information

Step 1.

SBR4L [A] \$2766

Step 2. Shell Upholstery

Price Category 1	+\$103
Price Category (Geiger) 1	+\$103
Price Category 2	+\$123
Price Category (Geiger) 2	+\$123
Price Category 3	+\$153
Price Category (Geiger) 3	+\$153
Price Category 4	+\$188
Price Category (Geiger) 4	+\$188
Price Category 5	+\$273
Price Category (Geiger) 5	+\$273
Price Category (Geiger) 7	+\$443
Price Category (Geiger) 8	+\$675
Price Category 9	+\$838
Price Category (Geiger) 9	+\$838
Price Category (Geiger) 10	+\$965
Price Category (Geiger) 11	+\$1080
Price Category (Geiger) 14	+\$1415
Price Category (Geiger) C	+\$138
Price Category (Geiger) D	+\$183
Price Category (Geiger) E	+\$220
Price Category F	+\$265
Price Category (Geiger) F	+\$265
Price Category G	+\$360
Price Category (Geiger) G	+\$360
Price Category (Geiger) H	+\$448
Price Category (Geiger) I	+\$540
Price Category (Geiger) J	+\$633
Price Category (Geiger) K	+\$725
Price Category (Geiger) L	+\$818
Price Category (Geiger) M	+\$910
Price Category (Geiger) N	+\$1003
Price Category (Geiger) O	+\$1095
Price Category (Geiger) P	+\$1185
Price Category (Geiger) Q	+\$1368
Price Category (Geiger) R	+\$1908
Price Category (Geiger) S	+\$2048
Price Category (Geiger) T	+\$2190
Price Category (Geiger) U	+\$2333
Price Category (Geiger) X	+\$2758
Price Category (Geiger) Y	+\$2898
Price Category (Geiger) Z	+\$3040
Price Category (Geiger) COL	+\$180

HermanMiller Ancillary—Work Chairs

Bumper Low Arm Side Chair, 4 Star

continued

HermanMiller Ancillary-Work Chairs

Price Category (Geiger) COM A +\$0

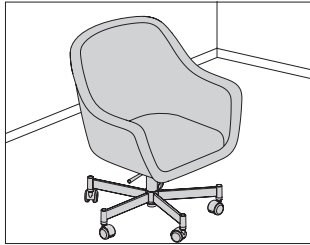
Step 3. Arm Cap and Cushion Upholstery

Price Category 1	+\$72
Price Category (Geiger) 1	+\$72
Price Category 2	+\$86
Price Category (Geiger) 2	+\$86
Price Category 3	+\$107
Price Category (Geiger) 3	+\$107
Price Category 4	+\$132
Price Category (Geiger) 4	+\$132
Price Category 5	+\$191
Price Category (Geiger) 5	+\$191
Price Category (Geiger) 7	+\$310
Price Category (Geiger) 8	+\$473
Price Category 9	+\$587
Price Category (Geiger) 9	+\$587
Price Category (Geiger) 10	+\$676
Price Category (Geiger) 11	+\$756
Price Category (Geiger) 14	+\$991
Price Category (Geiger) C	+\$97
Price Category (Geiger) D	+\$128
Price Category (Geiger) E	+\$154
Price Category F	+\$186
Price Category (Geiger) F	+\$186
Price Category G	+\$252
Price Category (Geiger) G	+\$252
Price Category (Geiger) H	+\$314
Price Category (Geiger) I	+\$378
Price Category (Geiger) J	+\$443
Price Category (Geiger) K	+\$508
Price Category (Geiger) L	+\$573
Price Category (Geiger) M	+\$637
Price Category (Geiger) O	+\$767
Price Category (Geiger) P	+\$830
Price Category (Geiger) Q	+\$958
Price Category (Geiger) R	+\$1336
Price Category (Geiger) S	+\$1434
Price Category (Geiger) X	+\$1931
Price Category (Geiger) Y	+\$2029
Price Category (Geiger) Z	+\$2128
Price Category (Geiger) COL <input type="checkbox"/> A	+\$126
Price Category (Geiger) COM <input type="checkbox"/> A	+\$0

Step 4. Base Finish

CD polished aluminum A +\$0

Bumper High Arm Conference Chair, SBR5H 5 Star



Product Information

Description

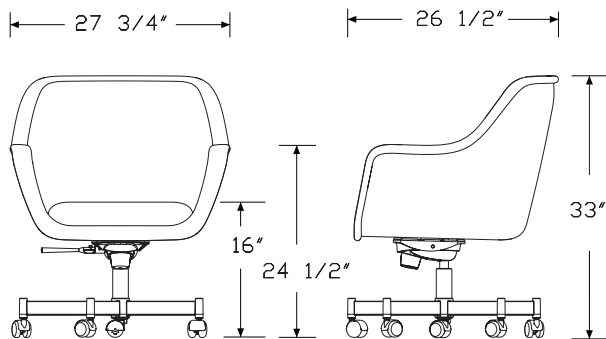
This conference chair has upholstered inner and outer shells and arm cap, each made from one continuous piece of fabric or leather, and an upholstered seat cushion. The frame is rigid molded urethane with foam inserts. The 5-star swivel base is polished cast aluminum with a chrome hooded dual black caster.

Notes

Customer's Own Material (COM) requires 2½ yards for the shell inside and outside, an additional 1¼ yards for the arm cap and cushion, or 4¼ yards when specifying entire chair in the same fabric. See Order Information in Appendices.

Customer's Own Leather (COL) requires 45 square feet for the shell inside and outside, an additional 31½ square feet for the arm cap and cushion, or 76½ square feet when specifying entire chair in the same leather. See Order Information in Appendices.

Dimensions



Specification Information

Step 1.

SBR5H [A] \$2840

Step 2. Shell Upholstery

Price Category 1	+\$103
Price Category (Geiger) 1	+\$103
Price Category 2	+\$123
Price Category (Geiger) 2	+\$123
Price Category 3	+\$153
Price Category (Geiger) 3	+\$153
Price Category 4	+\$188
Price Category (Geiger) 4	+\$188
Price Category 5	+\$273
Price Category (Geiger) 5	+\$273
Price Category (Geiger) 7	+\$443
Price Category (Geiger) 8	+\$675
Price Category 9	+\$838
Price Category (Geiger) 9	+\$838
Price Category (Geiger) 10	+\$965
Price Category (Geiger) 11	+\$1080
Price Category (Geiger) 14	+\$1415
Price Category (Geiger) C	+\$138
Price Category (Geiger) D	+\$183
Price Category (Geiger) E	+\$220
Price Category F	+\$265
Price Category (Geiger) F	+\$265
Price Category G	+\$360
Price Category (Geiger) G	+\$360
Price Category (Geiger) H	+\$448
Price Category (Geiger) I	+\$540
Price Category (Geiger) J	+\$633
Price Category (Geiger) K	+\$725
Price Category (Geiger) L	+\$818
Price Category (Geiger) M	+\$910
Price Category (Geiger) N	+\$1003
Price Category (Geiger) O	+\$1095
Price Category (Geiger) P	+\$1185
Price Category (Geiger) Q	+\$1368
Price Category (Geiger) R	+\$1908
Price Category (Geiger) S	+\$2048
Price Category (Geiger) T	+\$2190
Price Category (Geiger) U	+\$2333
Price Category (Geiger) X	+\$2758
Price Category (Geiger) Y	+\$2898
Price Category (Geiger) Z	+\$3040
Price Category (Geiger) COL	+\$180

Bumper High Arm Conference Chair,
5 Star *continued*

HermanMiller Ancillary-Work Chairs

Price Category (Geiger) COM A +\$0

Step 3. Arm Cap and Cushion Upholstery

Price Category 1	+\$72
Price Category (Geiger) 1	+\$72
Price Category 2	+\$86
Price Category (Geiger) 2	+\$86
Price Category 3	+\$107
Price Category (Geiger) 3	+\$107
Price Category 4	+\$132
Price Category (Geiger) 4	+\$132
Price Category 5	+\$191
Price Category (Geiger) 5	+\$191
Price Category (Geiger) 7	+\$310
Price Category (Geiger) 8	+\$473
Price Category 9	+\$587
Price Category (Geiger) 9	+\$587
Price Category (Geiger) 10	+\$676
Price Category (Geiger) 11	+\$756
Price Category (Geiger) 14	+\$991
Price Category (Geiger) C	+\$97
Price Category (Geiger) D	+\$128
Price Category (Geiger) E	+\$154
Price Category F	+\$186
Price Category (Geiger) F	+\$186
Price Category G	+\$252
Price Category (Geiger) G	+\$252
Price Category (Geiger) H	+\$314
Price Category (Geiger) I	+\$378
Price Category (Geiger) J	+\$443
Price Category (Geiger) K	+\$508
Price Category (Geiger) L	+\$573
Price Category (Geiger) M	+\$637
Price Category (Geiger) O	+\$767
Price Category (Geiger) P	+\$830
Price Category (Geiger) Q	+\$958
Price Category (Geiger) R	+\$1336
Price Category (Geiger) S	+\$1434
Price Category (Geiger) X	+\$1931
Price Category (Geiger) Y	+\$2029
Price Category (Geiger) Z	+\$2128
Price Category (Geiger) COL <input type="checkbox"/> A	+\$126
Price Category (Geiger) COM <input type="checkbox"/> A	+\$0

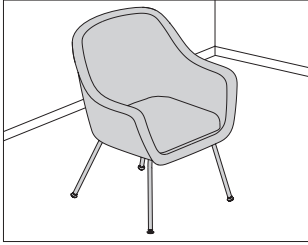
Step 4. Base Finish

CD polished aluminum A +\$0

Step 5. Caster Option

CHB chrome hood black hard dual wheels <input type="checkbox"/> A	+\$0
CHS chrome hood black soft dual wheels <input type="checkbox"/> A	+\$37

Bumper High Arm Side Chair, 4 Leg SBRLH



Product Information

Description

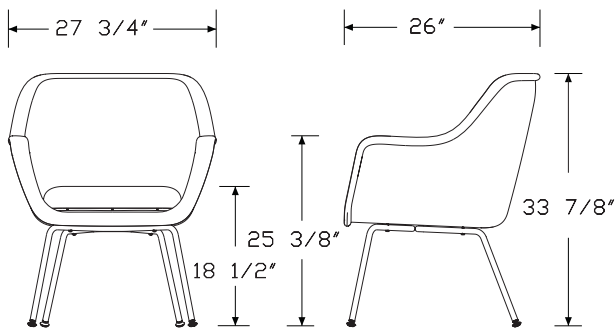
This side chair has upholstered inner and outer shells and arm cap, each made from one continuous piece of fabric or leather. It has an upholstered seat cushion. The frame is rigid molded urethane with foam inserts. The 4-leg base is plated steel, available in satin chrome.

Notes

Customer's Own Material (COM) requires 2½ yards for the shell inside and outside, an additional 1¼ yards for the arm cap and cushion, or 4¼ yards when specifying entire chair in the same fabric. See Order Information in Appendices.

Customer's Own Leather (COL) requires 45 square feet for the shell inside and outside, an additional 31½ square feet for the arm cap and cushion, or 76½ yards when specifying entire chair in the same leather. See Order Information in Appendices.

Dimensions



Specification Information

Step 1.

SBRLH [A] \$2615

Step 2. Shell Upholstery

Price Category 1	+ \$103
Price Category (Geiger) 1	+ \$103
Price Category 2	+ \$123
Price Category (Geiger) 2	+ \$123
Price Category 3	+ \$153
Price Category (Geiger) 3	+ \$153
Price Category 4	+ \$188
Price Category (Geiger) 4	+ \$188
Price Category 5	+ \$273
Price Category (Geiger) 5	+ \$273
Price Category (Geiger) 7	+ \$443
Price Category (Geiger) 8	+ \$675
Price Category 9	+ \$838
Price Category (Geiger) 9	+ \$838
Price Category (Geiger) 10	+ \$965
Price Category (Geiger) 11	+ \$1080
Price Category (Geiger) 14	+ \$1415
Price Category (Geiger) C	+ \$138
Price Category (Geiger) D	+ \$183
Price Category (Geiger) E	+ \$220
Price Category F	+ \$265
Price Category (Geiger) F	+ \$265
Price Category G	+ \$360
Price Category (Geiger) G	+ \$360
Price Category (Geiger) H	+ \$448
Price Category (Geiger) I	+ \$540
Price Category (Geiger) J	+ \$633
Price Category (Geiger) K	+ \$725
Price Category (Geiger) L	+ \$818
Price Category (Geiger) M	+ \$910
Price Category (Geiger) N	+ \$1003
Price Category (Geiger) O	+ \$1095
Price Category (Geiger) P	+ \$1185
Price Category (Geiger) Q	+ \$1368
Price Category (Geiger) R	+ \$1908
Price Category (Geiger) S	+ \$2048
Price Category (Geiger) T	+ \$2190
Price Category (Geiger) U	+ \$2333
Price Category (Geiger) X	+ \$2758
Price Category (Geiger) Y	+ \$2898
Price Category (Geiger) Z	+ \$3040
Price Category (Geiger) COL	+ \$180

HermanMiller Ancillary—Work Chairs

Bumper High Arm Side Chair, 4 Leg

continued

HermanMiller Ancillary-Work Chairs

Price Category (Geiger) COM A +\$0

Step 3. Arm Cap and Cushion Upholstery

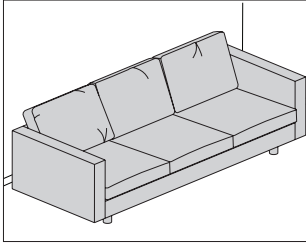
Price Category 1	+\$72
Price Category (Geiger) 1	+\$72
Price Category 2	+\$86
Price Category (Geiger) 2	+\$86
Price Category 3	+\$107
Price Category (Geiger) 3	+\$107
Price Category 4	+\$132
Price Category (Geiger) 4	+\$132
Price Category 5	+\$191
Price Category (Geiger) 5	+\$191
Price Category (Geiger) 7	+\$310
Price Category (Geiger) 8	+\$473
Price Category 9	+\$587
Price Category (Geiger) 9	+\$587
Price Category (Geiger) 10	+\$676
Price Category (Geiger) 11	+\$756
Price Category (Geiger) 14	+\$991
Price Category (Geiger) C	+\$97
Price Category (Geiger) D	+\$128
Price Category (Geiger) E	+\$154
Price Category F	+\$186
Price Category (Geiger) F	+\$186
Price Category G	+\$252
Price Category (Geiger) G	+\$252
Price Category (Geiger) H	+\$314
Price Category (Geiger) I	+\$378
Price Category (Geiger) J	+\$443
Price Category (Geiger) K	+\$508
Price Category (Geiger) L	+\$573
Price Category (Geiger) M	+\$637
Price Category (Geiger) O	+\$767
Price Category (Geiger) P	+\$830
Price Category (Geiger) Q	+\$958
Price Category (Geiger) R	+\$1336
Price Category (Geiger) S	+\$1434
Price Category (Geiger) X	+\$1931
Price Category (Geiger) Y	+\$2029
Price Category (Geiger) Z	+\$2128
Price Category (Geiger) COL <input type="checkbox"/> A	+\$126
Price Category (Geiger) COM <input type="checkbox"/> A	+\$0

Step 4. Base Finish

SAC satin chrome A +\$0

Lispenard Sofa

AL510



Product Information

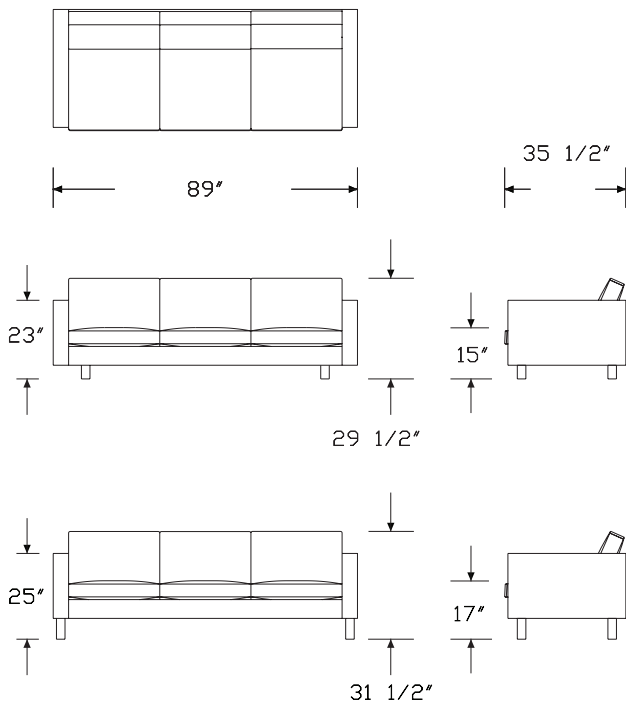
Description

The 3-seat sofa cushion construction features a combination of duck feather and down. The sofa offers sit heights of 15" and 17" and has a depth of 23½" at a depth pitch of 1¼". The rounded wooden legs are available in walnut and light oak finishes.

Notes

Legs on 15"-high sofa are 4" high and placed in an inset position. Legs on 17"-high sofa are 6" high and positioned in line with sofa arms.
 Customer's Own Material (COM) requires 14 yards. Customer's Own Leather (COL) requires 167 square feet. See Order Information in appendices.

Dimensions



Specification Information

Step 1.

AL51

Step 2. Configuration

- 003** sofa, 15" seat height
- 013** sofa, 17" seat height

Prices for Steps 1-2.

AL51003	\$7451
AL51013	\$7451

Step 3. Cushion Alignment

A	attached cushions	+\$200
U	unattached cushions	+\$0

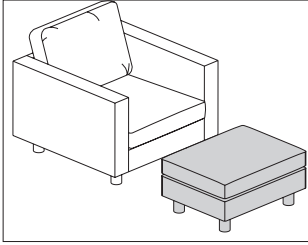
Step 4. Leg Finish

OU	walnut	+\$0
LTO	light oak	+\$0

Step 5. Fabric

Price Category 1	+\$0
Price Category 2	+\$122
Price Category 3	+\$256
Price Category (Geiger) 3	+\$277
Price Category 4	+\$500
Price Category (Geiger) 4	+\$528
Price Category 5	+\$1104
Price Category (Geiger) 6	+\$1243
Price Category 7	+\$2172
Price Category (Geiger) 7	+\$2172
Price Category 8	+\$3445
Price Category 9	+\$4488
Price Category 10	+\$3864
Price Category 11	+\$5088
Price Category 14	+\$6480
Price Category D	+\$871
Price Category H	+\$2149
Price Category I	+\$2527
Price Category J	+\$2904
Price Category K	+\$3281
Price Category R	+\$5977

HermanMiller Ancillary-Sofas



Product Information

Description

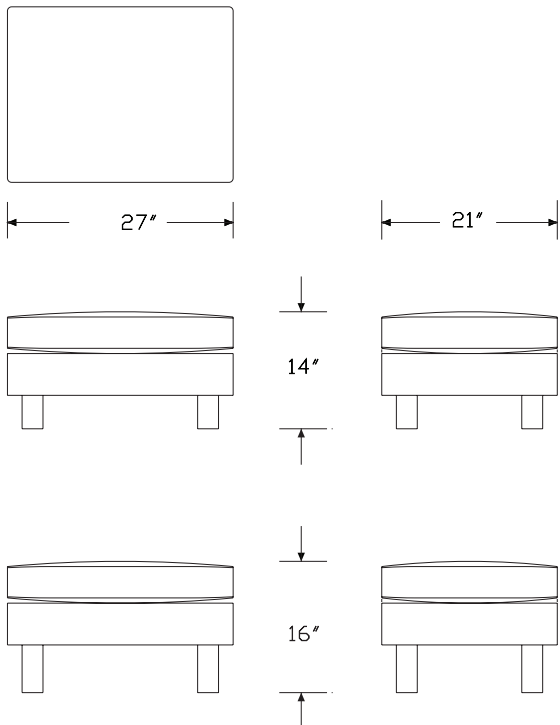
The ottoman cushion construction features a combination of duck feather and down. The rectangular ottoman measures 21"×27" and offers sit heights of 14" and 16". The rounded wooden legs are available in walnut and light oak finishes.

Notes

Legs on 14"-high ottoman are 4" high. Legs on 16"-high ottoman are 6" high. 14"-high ottoman is for use with 15"-high Lispenard sofa, armchair and sectional configurations. 16"-high ottoman is for use with 17"-high Lispenard sofa, armchair and sectional configurations.

Customer's Own Material (COM) requires 3 yards. Customer's Own Leather (COL) requires 36 square feet. See Order Information in appendices.

Dimensions



Specification Information

Step 1.

AL51

Step 2. Configuration

- 004** ottoman, 14" height
- 014** ottoman, 16" height

Prices for Steps 1-2.

AL51004	\$2457
AL51014	\$2457

Step 3. Leg Finish

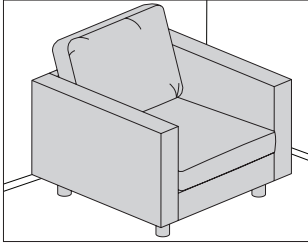
OU walnut	+\$0
LTO light oak	+\$0

Step 4. Fabric

Price Category 1	+\$0
Price Category 2	+\$26
Price Category 3	+\$55
Price Category (Geiger) 3	+\$60
Price Category 4	+\$107
Price Category (Geiger) 4	+\$113
Price Category 5	+\$182
Price Category (Geiger) 6	+\$266
Price Category 7	+\$792
Price Category (Geiger) 7	+\$792
Price Category 8	+\$924
Price Category 9	+\$1032
Price Category 10	+\$1344
Price Category 11	+\$1452
Price Category 14	+\$2244
Price Category D	+\$187
Price Category H	+\$461
Price Category I	+\$542
Price Category J	+\$623
Price Category K	+\$703
Price Category R	+\$1280

Lispenard Chair

AL510



Product Information

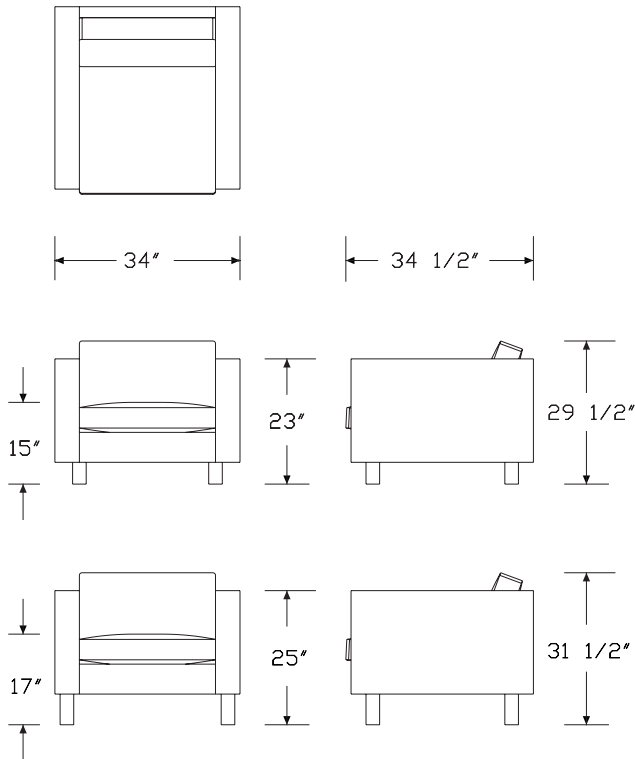
Description

The armchair cushion construction features a combination of duck feather and down. The armchair offers sit heights of 15" and 17" and has a depth of 23½" at a depth pitch of 1¼". The rounded wooden legs are available in walnut and light oak finishes.

Notes

Legs on 15"-high armchair are 4" high and placed in an inset position. Legs on 17"-high armchair are 6" high and positioned in line with chair arms.
 Customer's Own Material (COM) requires 6 yards. Customer's Own Leather (COL) requires 85 square feet. See Order Information in appendices.

Dimensions



Specification Information

Step 1.

AL51

Step 2. Configuration

- 000** armchair, 15" seat height
- 010** armchair, 17" seat height

Prices for Steps 1-2.

AL51000	\$4465
AL51010	\$4465

Step 3. Cushion Alignment

A	attached cushions	+\$70
U	unattached cushions	+\$0

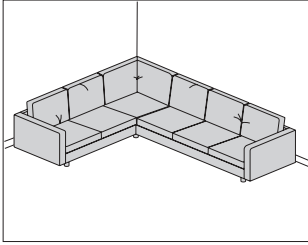
Step 4. Leg Finish

OU	walnut	+\$0
LTO	light oak	+\$0

Step 5. Fabric

Price Category 1	+\$0
Price Category 2	+\$53
Price Category 3	+\$109
Price Category (Geiger) 3	+\$119
Price Category 4	+\$365
Price Category (Geiger) 4	+\$226
Price Category 5	+\$365
Price Category (Geiger) 6	+\$533
Price Category 7	+\$756
Price Category (Geiger) 7	+\$756
Price Category 8	+\$1646
Price Category 9	+\$2376
Price Category 10	+\$1704
Price Category 11	+\$2688
Price Category 14	+\$3288
Price Category D	+\$373
Price Category H	+\$922
Price Category I	+\$1082
Price Category J	+\$1244
Price Category K	+\$1406
Price Category R	+\$2562

HermanMiller Ancillary-Sofas



Product Information

Description

The corner sectional cushion construction features a combination of duck feather and down. The sectional offers sit heights of 15" and 17" and has a depth of 23 1/2" at a depth pitch of 1/4". The rounded wooden legs are available in walnut and light oak finishes.

Notes

For corner sectional, right (AL51005), right side dimension is 121" (longer side). The right side is determined from the seated position.

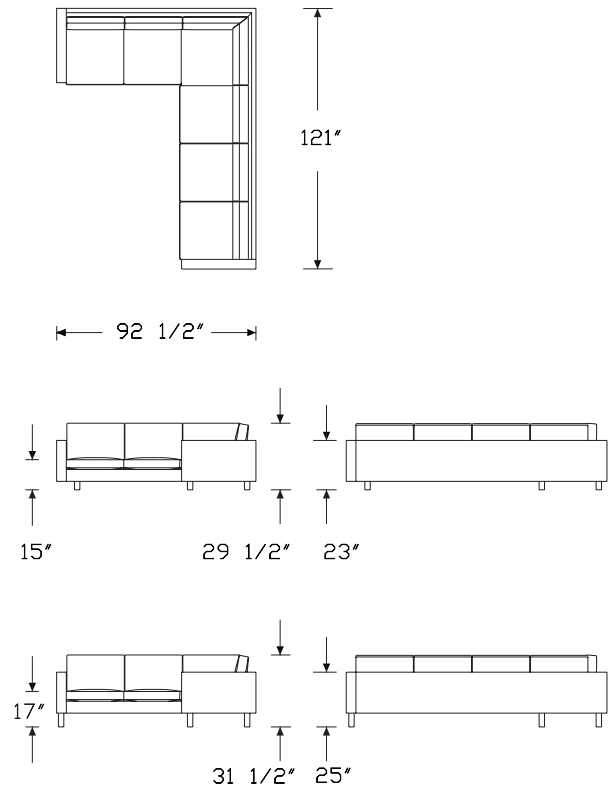
For corner sectional, left (AL51006), left side dimension is 121" (longer side).

The left side is determined from the seated position.

Legs on 15"-high sectional are 4" high and outermost legs are placed in an inset position. Legs on 17"-high sectional are 6" high and outermost legs are positioned in line with sectional arms.

Customer's Own Material (COM) requires 28 yards. Customer's Own Leather (COL) requires 336 square feet. See Order Information in appendices.

Dimensions



Specification Information

Step 1.

AL51

Step 2. Configuration

005 corner sectional, right, 15" seat height

015 corner sectional, right, 17" seat height

006 corner sectional, left, 15" seat height

016 corner sectional, left, 17" seat height

Prices for Steps 1-2.

AL51005 \$15236

AL51015 \$15236

AL51006 \$15236

AL51016 \$15236

Step 3. Cushion Alignment

A attached cushions +\$380

U unattached cushions +\$0

Step 4. Leg Finish

OU walnut +\$0

LTO light oak +\$0

Step 5. Fabric

Price Category 1 +\$0

Price Category 2 +\$245

Price Category 3 +\$511

Price Category (Geiger) 3 +\$554

Price Category 4 +\$1001

Price Category (Geiger) 4 +\$1055

Price Category 5 +\$1700

Price Category (Geiger) 6 +\$2485

Price Category 7 +\$3528

Price Category (Geiger) 7 +\$3528

Price Category 8 +\$6570

Price Category 9 +\$9060

Price Category 10 +\$6264

Price Category 11 +\$10260

Price Category 14 +\$10500

Price Category D +\$1744

Price Category H +\$4300

Price Category I +\$5053

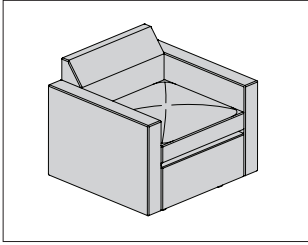
Price Category J +\$5808

Price Category K +\$6562

Price Category R +\$11954

Bevel Club Chair

AL6C1



Product Information

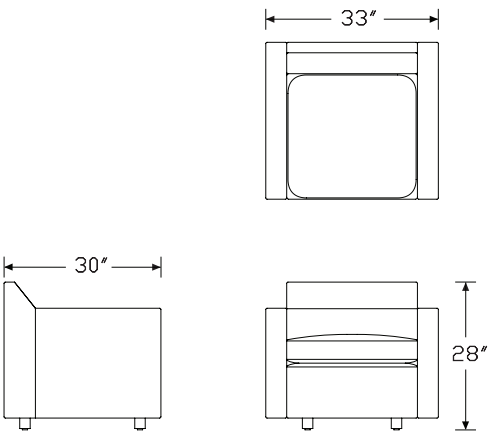
Description

This chair features wood frame construction, fire retardant free foam and down topper. Legs are wood in ebony finish. Ganging hardware included.

Notes

Handedness is determined from a seated position.
 Customer's Own Material (COM) requires 6 yards. Customer's Own Leather (COL) requires 65 square feet. See Order Information in Appendices.
 Limited textile selection available. See application chart in appendices.

Dimensions



HermanMiller Ancillary--Sofas

Specification Information

Step 1.

AL6C

Step 2. Configuration

1000 club chair

Prices for Steps 1-2.

AL6C1000 \$4580

Step 3. Leg Finish

EN ebony +\$0

Step 4. Fabric

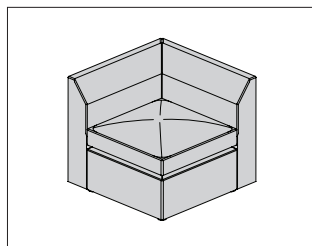
Price Category 1	+\$0
Price Category 2	+\$73
Price Category 3	+\$144
Price Category (Geiger) 3	+\$144
Price Category 4	+\$272
Price Category (Geiger) 4	+\$272
Price Category 5	+\$457
Price Category (Geiger) 6	+\$641
Price Category 7	+\$859
Price Category (Geiger) 7	+\$859
Price Category 8	+\$1165
Price Category 9	+\$1417
Price Category (Geiger) 9	+\$1417
Price Category 10	+\$1704
Price Category 11	+\$1991
Price Category 14	+\$2993
Price Category D	+\$451
Price Category H	+\$1110
Price Category I	+\$1304
Price Category J	+\$1499
Price Category K	+\$1693

Step 5. Fire Retardancy

NFR not fire retardant	+\$0
FR fire retardant	+\$150

Bevel Corner

AL6C1



Product Information

Description

This corner features wood frame construction, fire retardant free foam and down topper. Legs are wood in ebony finish. Ganging hardware included.

Notes

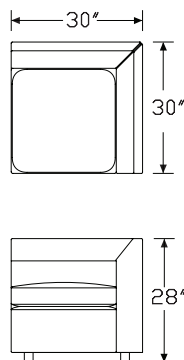
Handedness is determined from a seated position.

Customer's Own Material (COM) requires 5½ yards. Customer's Own

Leather (COL) requires 56 square feet. See Order Information in Appendices.

Limited textile selection available. See application chart in appendices.

Dimensions



Specification Information

Step 1.

AL6C

Step 2. Configuration

1005 corner

Prices for Steps 1-2.

AL6C1005 \$4390

Step 3. Leg Finish

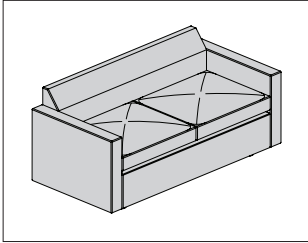
EN ebony +\$0

Step 4. Fabric

Price Category 1	+\$0
Price Category 2	+\$73
Price Category 3	+\$144
Price Category (Geiger) 3	+\$144
Price Category 4	+\$272
Price Category (Geiger) 4	+\$272
Price Category 5	+\$457
Price Category (Geiger) 6	+\$641
Price Category 7	+\$859
Price Category (Geiger) 7	+\$859
Price Category 8	+\$1165
Price Category 9	+\$1417
Price Category (Geiger) 9	+\$1417
Price Category 10	+\$1704
Price Category 11	+\$1991
Price Category 14	+\$2993
Price Category D	+\$451
Price Category H	+\$1110
Price Category I	+\$1304
Price Category J	+\$1499
Price Category K	+\$1693

Step 5. Fire Retardancy

NFR not fire retardant	+\$0
FR fire retardant	+\$0



Product Information

Description

This settee features wood frame construction, fire retardant free foam and down topper. It is available with or without arms or in left-arm or right-arm configuration. Legs are wood in ebony finish. Ganging hardware included. Shipped on end.

Notes

Handedness is determined from a seated position.

Customer's Own Material (COM) requires the following yardage:

Configuration—Yards

1002—9

1002A—8

1002R—8

1002L—8

Customer's Own Leather (COL) requires the following square feet:

Configuration—Square Feet

1002—102

1002A—92

1002R—92

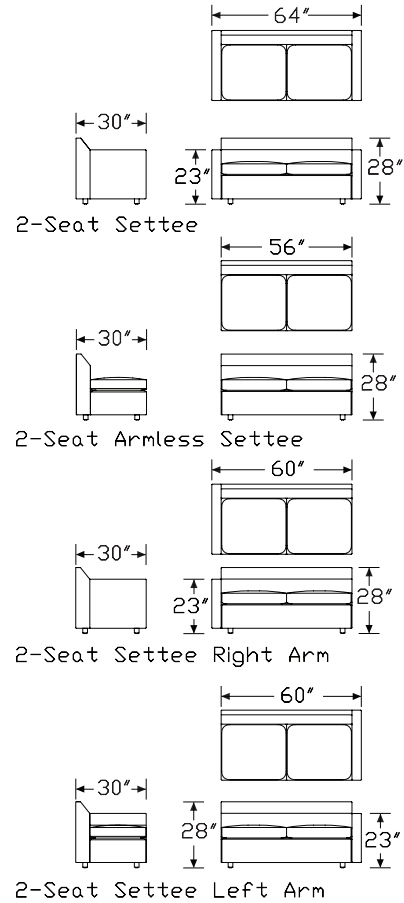
1002L—92

See Order Information in Appendices.

Limited textile selection available. See application chart in appendices.

HermanMiller Ancillary—Sofas

Dimensions



Specification Information

Step 1.

AL6C

Step 2. Configuration

1002 2-seat settee

1002A 2-seat armless settee

1002R 2-seat settee right arm

1002L 2-seat settee left arm

Prices for Steps 1-2.

AL6C1002 \$5982

AL6C1002A \$5293

AL6C1002R \$5609

AL6C1002L \$5609

Step 3. Leg Finish

EN ebony +\$0

Step 4. Fabric

Price Category 1 +\$0

Price Category 2 +\$90

Price Category 3 +\$174

Price Category (Geiger) 3 +\$174

Price Category 4 +\$331

Price Category (Geiger) 4 +\$331

Price Category 5 +\$554

Price Category (Geiger) 6 +\$778

Price Category 7 +\$778

Price Category (Geiger) 7 +\$1044

Price Category 8 +\$1416

Price Category 9 +\$1721

Price Category (Geiger) 9 +\$1721

Price Category 10 +\$2070

Price Category 11 +\$2417

Price Category 14 +\$3634

Price Category D +\$548

Price Category H +\$1348

Price Category I +\$1584

Price Category J +\$1820

Price Category K +\$2056

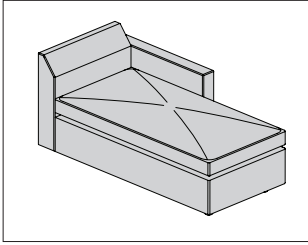
Step 5. Fire Retardancy

NFR not fire retardant +\$0

FR fire retardant +\$300

Bevel Chaise

AL6C1



Product Information

Description

This chaise features wood frame construction, fire retardant free foam and down topper. It is available in left-arm or right-arm configuration. Legs are wood in ebony finish. Ganging hardware included. Shipped on end.

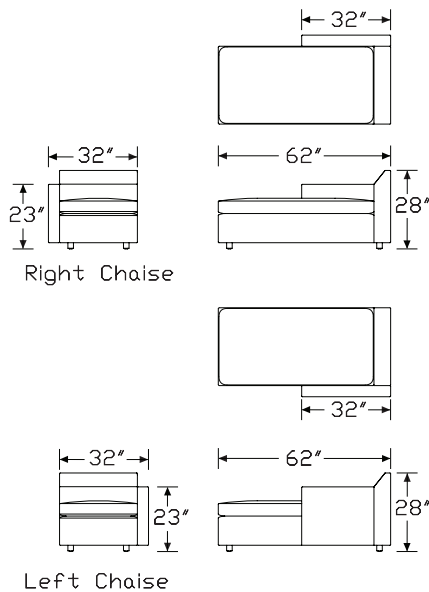
Notes

Handedness is determined from a seated position.

Customer's Own Material (COM) requires 8 yards. Customer's Own Leather (COL) requires 90 square feet. See Order Information in Appendices.

Limited textile selection available. See application chart in appendices.

Dimensions



Specification Information

Step 1.

AL6C

Step 2. Direction

- 1004L** left chaise
- 1004R** right chaise

Prices for Steps 1-2.

AL6C1004L	\$5706
AL6C1004R	\$5706

Step 3. Leg Finish

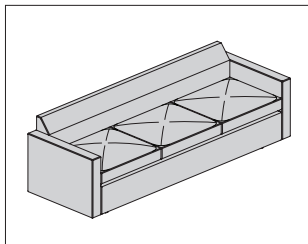
EN ebony	+\$0
-----------------	------

Step 4. Fabric

Price Category 1	+\$0
Price Category 2	+\$95
Price Category 3	+\$185
Price Category (Geiger) 3	+\$185
Price Category (Geiger) 4	+\$350
Price Category 5	+\$587
Price Category (Geiger) 6	+\$823
Price Category 7	+\$1105
Price Category (Geiger) 7	+\$1105
Price Category 8	+\$1500
Price Category 9	+\$1822
Price Category (Geiger) 9	+\$1822
Price Category 10	+\$2191
Price Category 11	+\$2560
Price Category 14	+\$3847
Price Category D	+\$582
Price Category H	+\$1427
Price Category I	+\$1676
Price Category J	+\$1926
Price Category K	+\$2176

Step 5. Fire Retardancy

NFR not fire retardant	+\$0
FR fire retardant	+\$250



Product Information

Description

This sofa features wood frame construction, fire retardant free foam and down topper. It is available with or without arms or in left-arm or right-arm configuration. Legs are wood in ebony finish. Ganging hardware included. Shipped on end.

Notes

Handedness is determined from a seated position.

Customer's Own Material (COM) requires the following yardage:

Configuration—Yards

1003—12

1003A—10

1003R—10

1003L—10

Customer's Own Leather (COL) requires the following square feet:

Configuration—Square Feet

1003—135

1003A—126

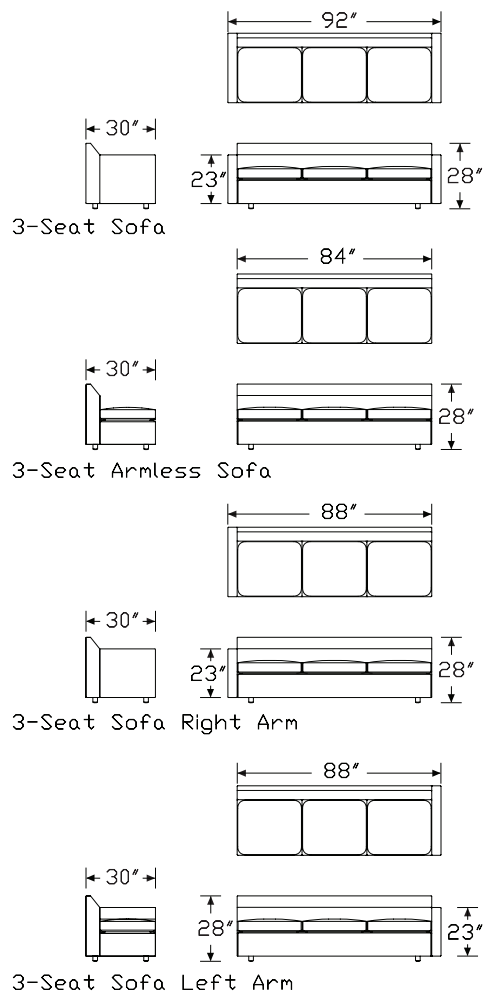
1003R—126

1003L—114

See Order Information in Appendices.

Limited textile selection available. See application chart in appendices.

Dimensions



Bevel Sofa *continued*

Specification Information

Step 1.

AL6C

Step 2. Configuration

- 1003** 3-seat sofa
- 1003A** 3-seat armless sofa
- 1003R** 3-seat sofa right arm
- 1003L** 3-seat sofa left arm

Prices for Steps 1-2.

AL6C1003	\$7562
AL6C1003A	\$6867
AL6C1003R	\$7188
AL6C1003L	\$7188

Step 3. Leg Finish

EN ebony +\$0

Step 4. Fabric

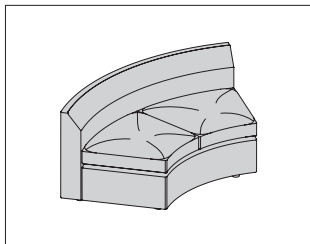
Price Category 1	+\$0
Price Category 2	+\$109
Price Category 3	+\$215
Price Category (Geiger) 3	+\$215
Price Category 4	+\$408
Price Category (Geiger) 4	+\$408
Price Category 5	+\$684
Price Category (Geiger) 6	+\$961
Price Category 7	+\$1290
Price Category (Geiger) 7	+\$1290
Price Category 8	+\$1750
Price Category 9	+\$2125
Price Category (Geiger) 9	+\$2125
Price Category 10	+\$2556
Price Category 11	+\$2987
Price Category 14	+\$4488
Price Category D	+\$678
Price Category H	+\$1666
Price Category I	+\$1956
Price Category J	+\$2248
Price Category K	+\$2539

Step 5. Fire Retardancy

NFR not fire retardant	+\$0
FR fire retardant	+\$350

Bevel Curved Settee

AL6C2
AL6C3



Product Information

Description

This curved settee features wood frame construction, fire retardant free foam and down topper. Legs are wood in ebony finish. Ganging hardware included.

Notes

Customer's Own Material (COM) requires the following yardage:

Configuration—Yards

2000—6

3000—5½

Customer's Own Leather (COL) requires the following square feet:

Configuration—Square Feet

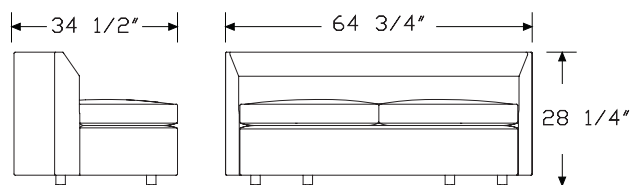
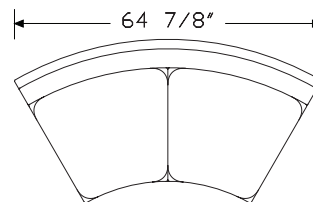
2000—105

3000—115

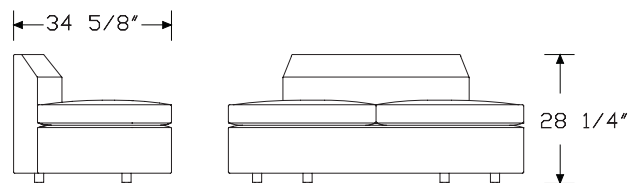
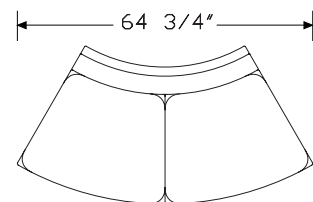
See Order Information in Appendices.

Limited textile selection available. See application chart in appendices.

Dimensions



Curved Settee - Inside Curve



Curved Settee - Outside Curve

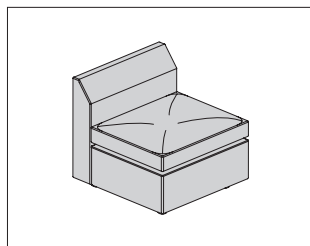
Bevel Curved Settee *continued*

HermanMiller Ancillary--Sofas

Specification Information		
Step 1.		
AL6C		
Step 2. Configuration		
2000	inside curve	
3000	outside curve	
Prices for Steps 1-2.		
AL6C2000		\$5679
AL6C3000		\$5679
Step 3. Leg Finish		
EN	ebony	+\$0
Step 4. Fabric		
	Price Category 1	+\$0
	Price Category 2	+\$100
	Price Category 3	+\$194
	Price Category (Geiger) 3	+\$194
	Price Category 4	+\$368
	Price Category (Geiger) 4	+\$368
	Price Category 5	+\$620
	Price Category (Geiger) 6	+\$870
	Price Category 7	+\$1166
	Price Category (Geiger) 7	+\$1166
	Price Category 8	+\$1582
	Price Category 9	+\$1922
	Price Category (Geiger) 9	+\$1922
	Price Category 10	+\$2312
	Price Category 11	+\$2702
	Price Category 14	+\$4061
	Price Category D	+\$595
	Price Category H	+\$1506
	Price Category I	+\$1770
	Price Category J	+\$2034
	Price Category K	+\$2297
Step 5. Fire Retardancy		
NFR	not fire retardant	+\$0
FR	fire retardant	+\$300

Bevel Single Seat

AL6C0



Product Information

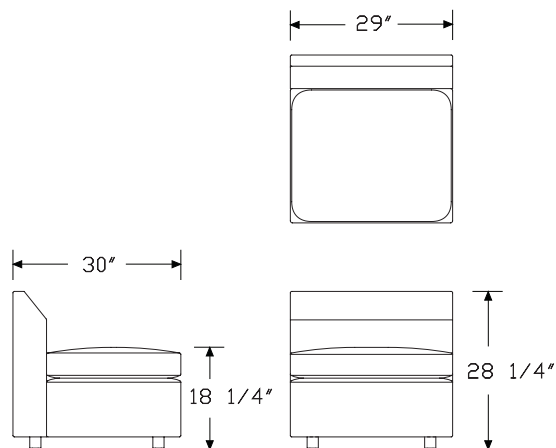
Description

This single seat features wood frame construction, fire retardant free foam and down topper. Legs are wood in ebony finish. Ganging hardware included.

Notes

Customer's Own Material (COM) requires 4½ yards. Customer's Own Leather (COL) requires 50 square feet. See Order Information in Appendices. Limited textile selection available. See application chart in appendices.

Dimensions



Specification Information

Step 1.

AL6C

Step 2. Configuration

0800 single seat

Prices for Steps 1-2.

AL6C0800 \$3778

Step 3. Leg Finish

EN ebony +\$0

Step 4. Fabric

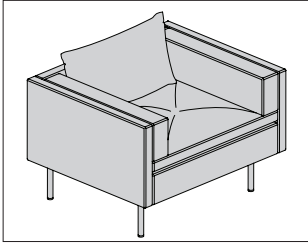
Price Category 1	+\$0
Price Category 2	+\$53
Price Category 3	+\$103
Price Category (Geiger) 3	+\$103
Price Category 4	+\$194
Price Category (Geiger) 4	+\$194
Price Category 5	+\$325
Price Category (Geiger) 6	+\$458
Price Category 7	+\$613
Price Category (Geiger) 7	+\$613
Price Category 8	+\$833
Price Category 9	+\$1013
Price Category (Geiger) 9	+\$1013
Price Category 10	+\$1217
Price Category 11	+\$1422
Price Category 14	+\$2137
Price Category D	+\$313
Price Category H	+\$793
Price Category I	+\$931
Price Category J	+\$1070
Price Category K	+\$1208

Step 5. Fire Retardancy

NFR not fire retardant	+\$0
FR fire retardant	+\$150

Bolster Club Chair

AL1C1



Product Information

Description

This chair features wood frame construction, fire retardant free foam and down topper. Base finish is brushed stainless. Ganging hardware included.

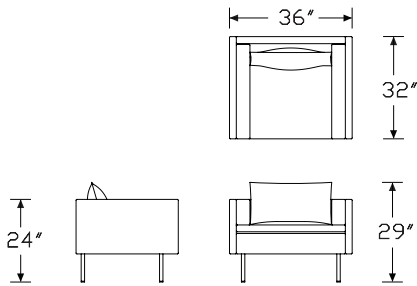
Notes

Handedness is determined from a seated position.

Customer's Own Material (COM) requires 7 yards. Customer's Own Leather (COL) requires 92 square feet. See Order Information in Appendices.

Limited textile selection available. See application chart in appendices.

Dimensions



HermanMiller Ancillary--Sofas

Specification Information

Step 1.

AL1C

Step 2. Configuration

1000 club chair

Step 3. Upholstery Assignment

S single fabric

Prices for Steps 1-3.

AL1C1000 S \$5141

Step 4. Leg Finish

BRS brushed stainless +\$0

Step 5. Fabric

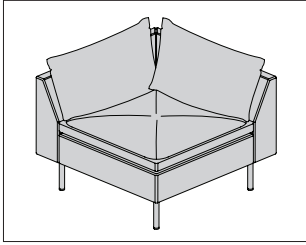
Price Category 1	+\$0
Price Category 2	+\$558
Price Category 3	+\$670
Price Category (Geiger) 3	+\$670
Price Category 4	+\$871
Price Category (Geiger) 4	+\$871
Price Category 5	+\$940
Price Category (Geiger) 6	+\$1128
Price Category 7	+\$1466
Price Category (Geiger) 7	+\$1466
Price Category 8	+\$1738
Price Category (Geiger) 8	+\$1738
Price Category 9	+\$2482
Price Category 10	+\$2732
Price Category 11	+\$2850
Price Category 14	+\$3218
Price Category D	+\$503
Price Category E	+\$606
Price Category H	+\$1232
Price Category I	+\$1450
Price Category J	+\$1666
Price Category K	+\$1880

Step 6. Fire Retardancy

NFR not fire retardant	+\$0
FR fire retardant	+\$150

Bolster Corner

AL1C1



Product Information

Description

This corner features wood frame construction, fire retardant free foam and down topper. Base finish is brushed stainless. Ganging hardware included.

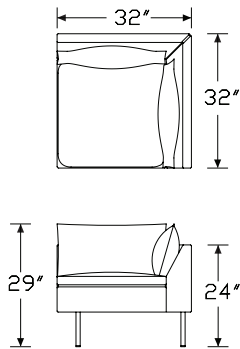
Notes

Handedness is determined from a seated position.

Customer's Own Material (COM) requires 7 yards. Customer's Own Leather (COL) requires 68 square feet. See Order Information in Appendices.

Limited textile selection available. See application chart in appendices.

Dimensions



Specification Information

Step 1.

AL1C

Step 2. Configuration

1005 corner

Step 3. Upholstery Assignment

S single fabric

Prices for Steps 1-3.

AL1C1005 S \$4647

Step 4. Leg Finish

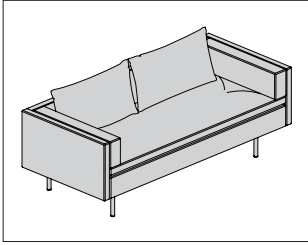
BRS brushed stainless +\$0

Step 5. Fabric

Price Category 1	+\$0
Price Category 2	+\$522
Price Category 3	+\$626
Price Category (Geiger) 3	+\$626
Price Category 4	+\$814
Price Category (Geiger) 4	+\$814
Price Category 5	+\$905
Price Category (Geiger) 6	+\$1112
Price Category 7	+\$1412
Price Category (Geiger) 7	+\$1412
Price Category 8	+\$1978
Price Category (Geiger) 8	+\$1978
Price Category 9	+\$2430
Price Category 10	+\$2472
Price Category 11	+\$2701
Price Category 14	+\$3169
Price Category D	+\$503
Price Category E	+\$606
Price Category H	+\$1232
Price Category I	+\$1264
Price Category J	+\$1666
Price Category K	+\$1880

Step 6. Fire Retardancy

NFR not fire retardant	+\$0
FR fire retardant	+\$150



Product Information

Description

This settee features wood frame construction, fire retardant free foam and down topper. It is available with or without arms or in left-arm or right-arm configuration. Base finish is brushed stainless. Ganging hardware included. Shipped on end.

Notes

Handedness is determined from a seated position.

Fabric is railroaded.

Customer's Own Material (COM) requires the following yardage:

Configuration—Yards

1002—9

1002A—7

1002R—9

1002L—9

Customer's Own Leather (COL) requires the following square feet:

Configuration—Square Feet

1002—135

1002A—87

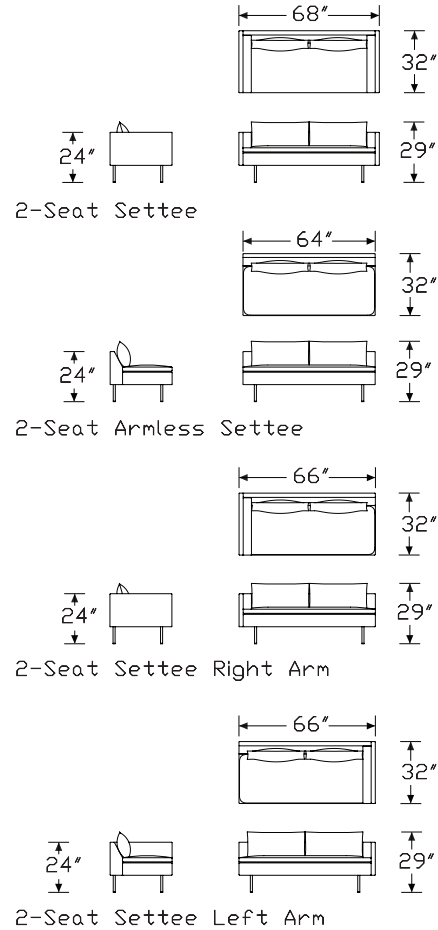
1002R—103

1002L—103

See Order Information in Appendices.

Limited textile selection available. See application chart in appendices.

Dimensions

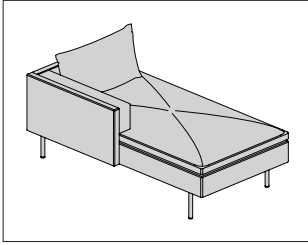


Specification Information	
Step 1.	
AL1C	
Step 2. Configuration	
1002	2-seat settee
1002A	2-seat armless settee
1002R	2-seat settee right arm
1002L	2-seat settee left arm
Step 3. Upholstery Assignment	
S	single fabric
Prices for Steps 1-3.	
AL1C1002 S	\$6945
AL1C1002A S	\$5703
AL1C1002R S	\$6325
AL1C1002L S	\$6325
Step 4. Leg Finish	
BRS	brushed stainless +\$0

Step 5. Fabric	
Price Category 1	+\$0
Price Category 2	+\$812
Price Category 3	+\$974
Price Category (Geiger) 3	+\$974
Price Category 4	+\$1267
Price Category (Geiger) 4	+\$1267
Price Category 5	+\$1414
Price Category (Geiger) 6	+\$1697
Price Category 7	+\$2204
Price Category (Geiger) 7	+\$2204
Price Category 8	+\$2719
Price Category (Geiger) 8	+\$2719
Price Category 9	+\$4700
Price Category 10	+\$4944
Price Category 11	+\$5232
Price Category 14	+\$5315
Price Category D	+\$706
Price Category E	+\$865
Price Category H	+\$1762
Price Category I	+\$2070
Price Category J	+\$2378
Price Category K	+\$2687
Step 6. Fire Retardancy	
NFR	not fire retardant +\$0
FR	fire retardant +\$300

Bolster Chaise

AL1C1



Product Information

Description

This chaise features wood frame construction, fire retardant free foam and down topper. It is available in left-arm or right-arm configuration. Base finish is brushed stainless. Ganging hardware included.

Notes

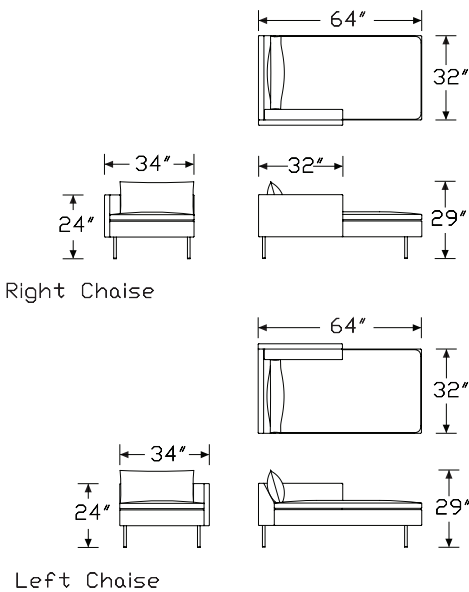
Handedness is determined from a seated position.

Fabric is railroaded.

Customer's Own Material (COM) requires 8 yards. Customer's Own Leather (COL) requires 97 square feet. See Order Information in Appendices.

Limited textile selection available. See application chart in appendices.

Dimensions



Specification Information

Step 1.

AL1C

Step 2. Direction

- 1004L** left chaise
- 1004R** right chaise

Step 3. Upholstery Assignment

- S** single fabric

Prices for Steps 1-3.

AL1C1004L S	\$5952
AL1C1004R S	\$5952

Step 4. Leg Finish

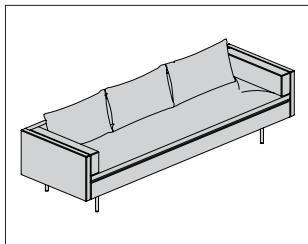
- BRS** brushed stainless + \$0

Step 5. Fabric

Price Category 1	+ \$0
Price Category 2	+ \$680
Price Category 3	+ \$816
Price Category (Geiger) 3	+ \$816
Price Category 4	+ \$1061
Price Category (Geiger) 4	+ \$1061
Price Category 5	+ \$1171
Price Category (Geiger) 6	+ \$1405
Price Category 7	+ \$1826
Price Category (Geiger) 7	+ \$1826
Price Category 8	+ \$2192
Price Category (Geiger) 8	+ \$2192
Price Category 9	+ \$3415
Price Category 10	+ \$3461
Price Category 11	+ \$3798
Price Category 14	+ \$4084
Price Category D	+ \$646
Price Category E	+ \$779
Price Category H	+ \$1585
Price Category I	+ \$1864
Price Category J	+ \$2140
Price Category K	+ \$2418

Step 6. Fire Retardancy

- NFR** not fire retardant + \$0
- FR** fire retardant + \$250



Product Information

Description

This sofa features wood frame construction, fire retardant free foam and down topper. It is available with or without arms or in left-arm or right-arm configuration. Base finish is brushed stainless. Ganging hardware included.

Notes

Handedness is determined from a seated position.

Fabric is railroaded.

Customer's Own Material (COM) requires the following yardage:

Configuration—Yards

1003—12

1003A—9

1003R—11

1003L—11

Customer's Own Leather (COL) requires the following square feet:

Configuration—Square Feet

1003—172

1003A—124

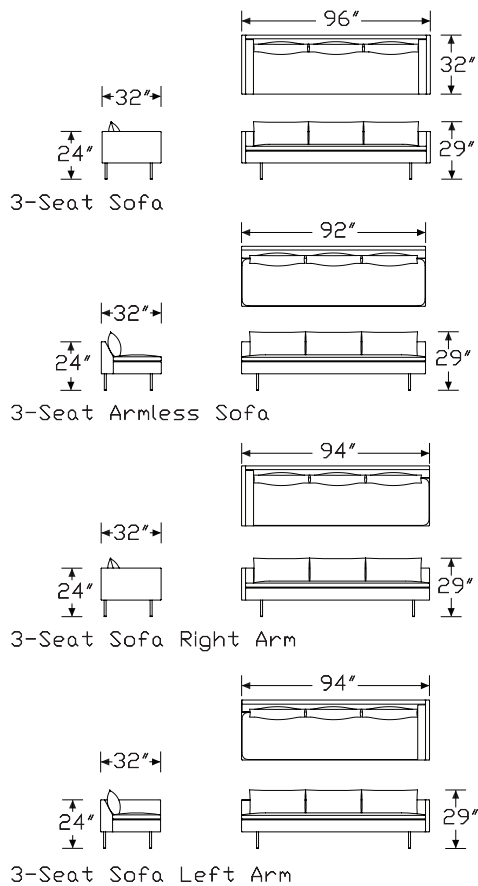
1003R—148

1003L—148

See Order Information in Appendices.

Limited textile selection available. See application chart in appendices.

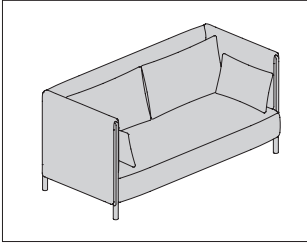
Dimensions



Specification Information		
Step 1.		
AL1C		
Step 2. Configuration		
1003	3-seat sofa	
1003A	3-seat armless sofa	
1003R	3-seat sofa right arm	
1003L	3-seat sofa left arm	
Step 3. Upholstery Assignment		
S	single fabric	
Prices for Steps 1-3.		
AL1C1003 S		\$8074
AL1C1003A S		\$6836
AL1C1003R S		\$7457
AL1C1003L S		\$7457
Step 4. Leg Finish		
BRS	brushed stainless	+\$0

Step 5. Fabric		
Price Category 1		+\$0
Price Category 2		+\$954
Price Category 3		+\$1144
Price Category (Geiger) 3		+\$1144
Price Category 4		+\$1488
Price Category (Geiger) 4		+\$1488
Price Category 5		+\$1663
Price Category (Geiger) 6		+\$2068
Price Category 7		+\$2593
Price Category (Geiger) 7		+\$2593
Price Category 8		+\$4438
Price Category (Geiger) 8		+\$4438
Price Category 9		+\$5946
Price Category 10		+\$6180
Price Category 11		+\$6624
Price Category 14		+\$6798
Price Category D		+\$860
Price Category E		+\$1039
Price Category H		+\$2114
Price Category I		+\$2484
Price Category J		+\$2855
Price Category K		+\$3224
Step 6. Fire Retardancy		
NFR	not fire retardant	+\$0
FR	fire retardant	+\$350

ColourForm Sofa, Not Quilted, Single Textile AJN10



Product Information

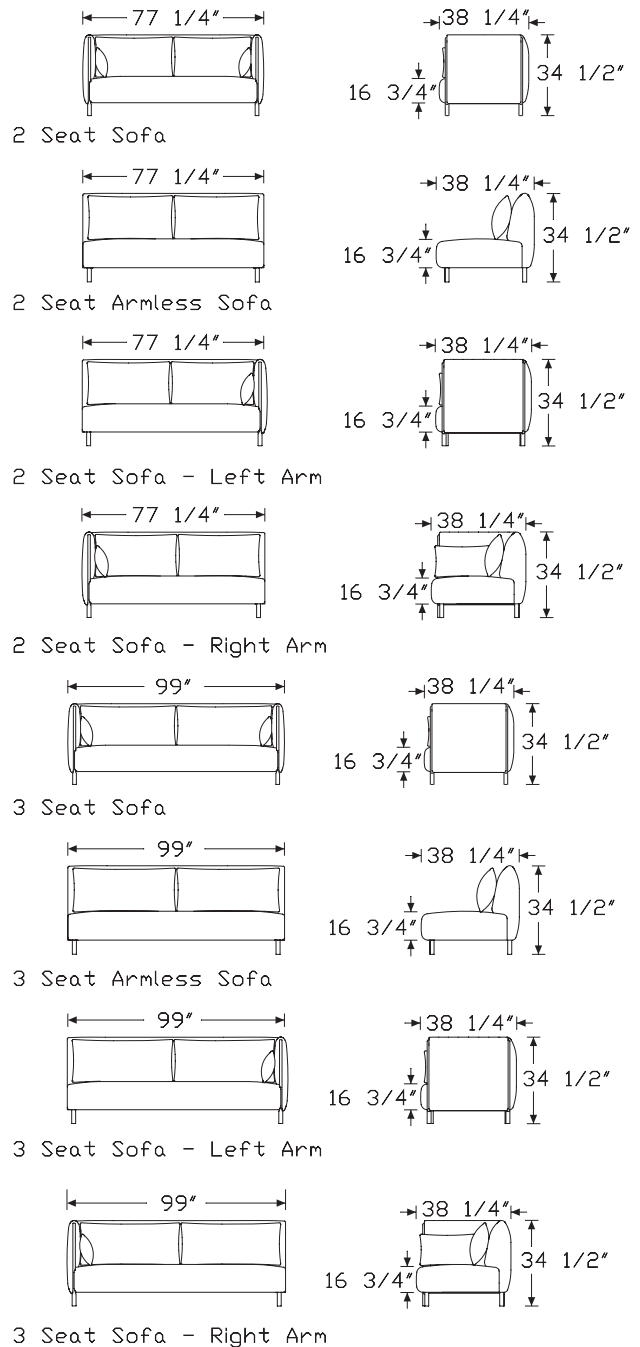
Description

This sofa has wooden frame construction with shaped foam and cover layers folded over the arm rest. Pillows are fiber filled for comfort. A plastic upholstery strip is stitched into the textile allowing the fabric to be stretched and pushed into place over the frame. Sofa is available with or without arms or in left-arm or right-arm configuration.

Notes

For modularity, order ganging kit (AJNG) separately.
 Handedness is determined from seated position.
 Limited textile selection available. See application chart in appendices.

Dimensions



ColourForm Sofa, Not Quilted, Single
Textile *continued*

Specification Information

Step 1.

AJN

Step 2. Configuration

- 1002 2-seat sofa
- 1002A 2-seat armless sofa
- 1002R 2-seat sofa right arm
- 1002L 2-seat sofa left arm
- 1003 3-seat sofa
- 1003A 3-seat armless sofa
- 1003R 3-seat sofa right arm
- 1003L 3-seat sofa left arm

Step 3. Upholstery Type

N not quilted, single textile

Prices for Steps 1-3.

AJN1002 N	\$7110
AJN1002A N	\$4568
AJN1002R N	\$5882
AJN1002L N	\$5882
AJN1003 N	\$7664
AJN1003A N	\$5319
AJN1003R N	\$6576
AJN1003L N	\$6576

Step 4. Outside/Inside Fabric

Price Category (Geiger) D	+\$1590
Price Category 10	+\$2346
Price Category 2	+\$112
Price Category (Geiger) 3	+\$238
Price Category 5	+\$890
Price Category (Geiger) 7	+\$1986
Price Category (Geiger) G	+\$1841
Price Category (Geiger) H	+\$2563
Price Category (Geiger) I	+\$2803
Price Category (Geiger) J	+\$3996

Step 5. Leg Finish

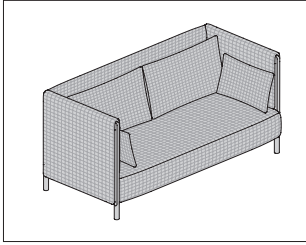
EN	ebony <input type="checkbox"/>	+\$0
OU	walnut <input type="checkbox"/>	+\$0
A2	white ash <input type="checkbox"/>	+\$0
SBA	soft blue ash <input type="checkbox"/>	+\$0
SGA	soft green ash <input type="checkbox"/>	+\$0
66A	recograin frosty ash <input type="checkbox"/>	+\$0

Step 6. Fire Retardancy

NFR	not fire retardant <input type="checkbox"/>	+\$0
FR	fire retardant <input type="checkbox"/>	+\$900

ColourForm Sofa, Quilted, Single
Textile

AJN10



Product Information

Description

This sofa has wooden frame construction with shaped foam and cover layers folded over the arm rest. Pillows are fiber filled for comfort. A plastic upholstery strip is stitched into the textile allowing the fabric to be stretched and pushed into place over the frame. Sofa is available with or without arms or in left-arm or right-arm configuration.

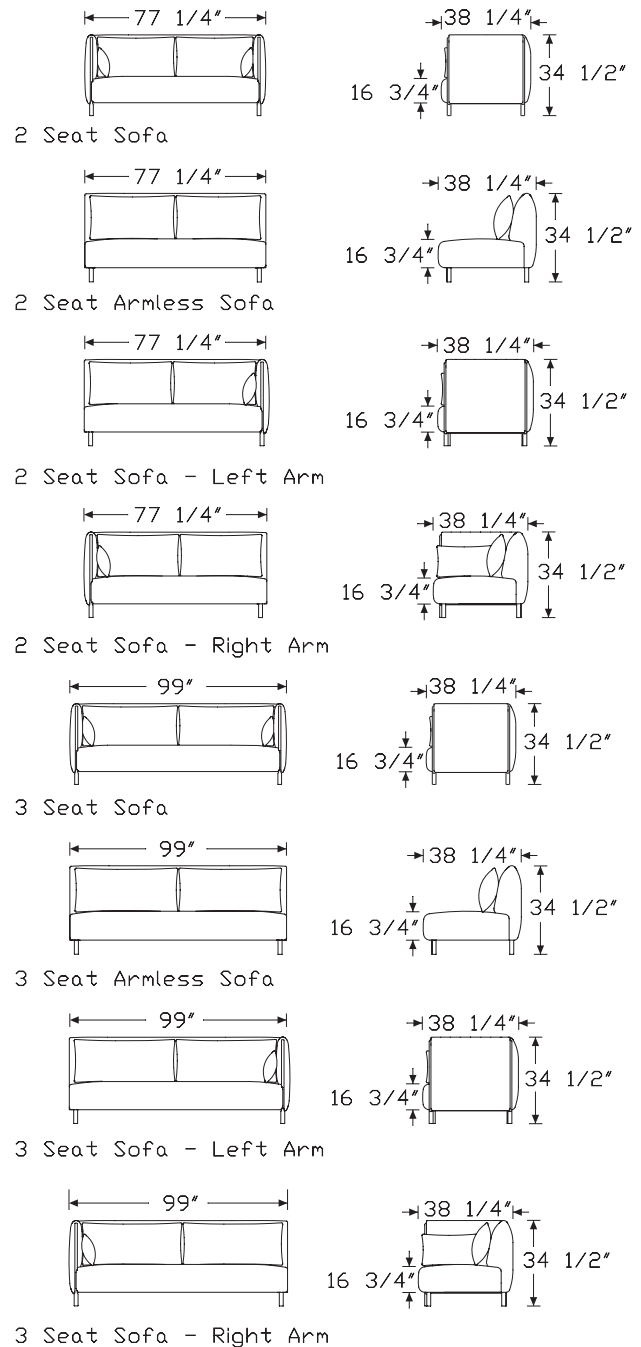
Notes

For modularity, order ganging kit (AJNG) separately.

Handedness is determined from seated position.

Limited textile selection available. See application chart in appendices.

Dimensions



HermanMiller Ancillary-Sofas

ColourForm Sofa, Quilted, Single
Textile *continued*

HermanMiller Ancillary--Sofas

Specification Information

Step 1.

AJN

Step 2. Configuration

- 1002 2-seat sofa
- 1002A 2-seat armless sofa
- 1002R 2-seat sofa right arm
- 1002L 2-seat sofa left arm
- 1003 3-seat sofa
- 1003A 3-seat armless sofa
- 1003R 3-seat sofa right arm
- 1003L 3-seat sofa left arm

Step 3. Upholstery Type

Q1 quilted, single textile (outside quilted, inside not quilted, same color, same fabric family)

Prices for Steps 1-3.

AJN1002 Q1	\$6780
AJN1002A Q1	\$4356
AJN1002R Q1	\$5610
AJN1002L Q1	\$5610
AJN1003 Q1	\$7310
AJN1003A Q1	\$5074
AJN1003R Q1	\$6272
AJN1003L Q1	\$6272

Step 4. Outside/Inside Fabric

Price Category (Geiger) G +\$3167

Step 5. Leg Finish

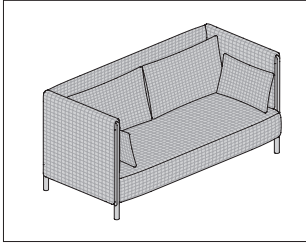
- A2 white ash +\$0
- EN ebony +\$0
- OU walnut +\$0
- SBA soft blue ash +\$0
- SGA soft green ash +\$0
- 66A recograin frosty ash +\$0

Step 6. Fire Retardancy

- NFR not fire retardant +\$0
- FR fire retardant +\$900

ColourForm Sofa, Quilted, Two Textiles

AJN10



Product Information

Description

This sofa has wooden frame construction with shaped foam and cover layers folded over the arm rest. Pillows are fiber filled for comfort. A plastic upholstery strip is stitched into the textile allowing the fabric to be stretched and pushed into place over the frame. Sofa is available with arms or in left-arm or right-arm configuration.

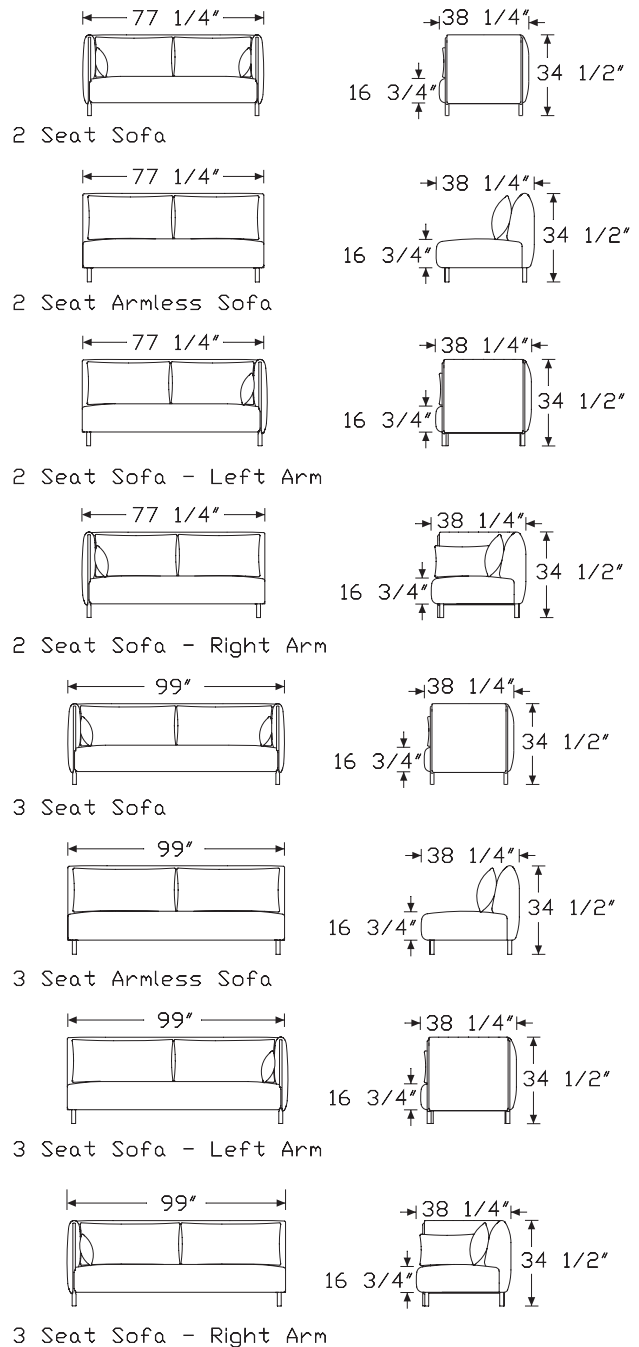
Notes

For modularity, order ganging kit (AJNG) separately.

Handedness is determined from seated position.

Limited textile selection available. See application chart in appendices.

Dimensions



HermanMiller Ancillary-Sofas

ColourForm Sofa, Quilted, Two Textiles *continued*

Specification Information

Step 1.

AJN

Step 2. Configuration

1002 2-seat sofa

1002R 2-seat sofa right arm

1002L 2-seat sofa left arm

1003 3-seat sofa

1003R 3-seat sofa right arm

1003L 3-seat sofa left arm

Step 3. Upholstery Type

Q2 quilted, two textiles (outside quilted, inside quilted)

Prices for Steps 1-3.

AJN1002 Q2 \$6780

AJN1002R Q2 \$5610

AJN1002L Q2 \$5610

AJN1003 Q2 \$7310

AJN1003R Q2 \$6272

AJN1003L Q2 \$6272

Step 4. Outside Fabric

Price Category (Geiger) G +\$3167

Step 5. Inside Fabric

Price Category (Geiger) G +\$0

Step 6. Leg Finish

A2 white ash +\$0

EN ebony +\$0

OU walnut +\$0

SBA soft blue ash +\$0

SGA soft green ash +\$0

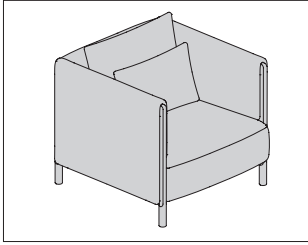
66A recograin frosty ash +\$0

Step 7. Fire Retardancy

NFR not fire retardant +\$0

FR fire retardant +\$900

ColourForm Club Chair, Not Quilted, Single Textile AJN10



Product Information

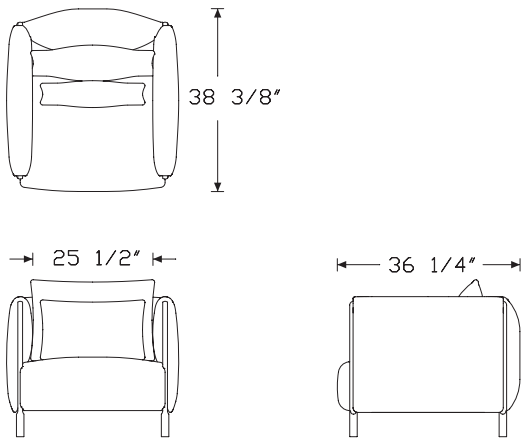
Description

This club chair has wooden frame construction with shaped foam and cover layers folded over the arm rest. Pillows are fiber filled for comfort. A plastic upholstery strip is stitched into the textile allowing the fabric to be stretched and pushed into place over the frame.

Notes

Handedness is determined from seated position.
 Limited textile selection available. See application chart in appendices.

Dimensions



Specification Information

Step 1.

AJN1000 A

Step 2. Upholstery Type

N not quilted, single textile A

Prices for Steps 1-2.

AJN1000 N \$5387

Step 3. Outside/Inside Fabric

Price Category (Geiger) D	+\$905
Price Category 10	+\$1566
Price Category 2	+\$68
Price Category (Geiger) 3	+\$133
Price Category 5	+\$504
Price Category (Geiger) 7	+\$1130
Price Category (Geiger) G	+\$1048
Price Category (Geiger) H	+\$1458
Price Category (Geiger) I	+\$1594
Price Category (Geiger) J	+\$2274

Step 4. Leg Finish

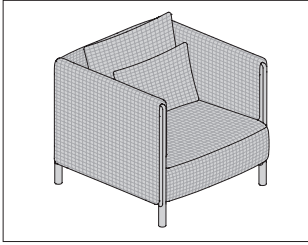
EN ebony <input type="checkbox"/> A	+\$0
OU walnut <input type="checkbox"/> A	+\$0
A2 white ash <input type="checkbox"/> A	+\$0
SBA soft blue ash <input type="checkbox"/> A	+\$0
SGA soft green ash <input type="checkbox"/> A	+\$0
66A recograin frosty ash <input type="checkbox"/> A	+\$0

Step 5. Fire Retardancy

NFR not fire retardant <input type="checkbox"/> A	+\$0
FR fire retardant <input type="checkbox"/> A	+\$495

ColourForm Club Chair, Quilted,
Single Textile

AJN10



Product Information

Description

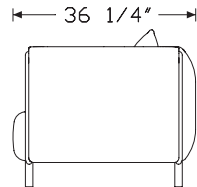
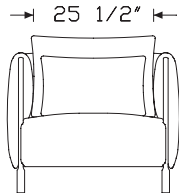
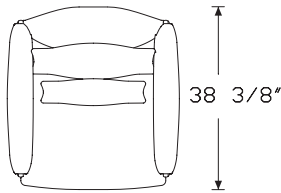
This club chair has wooden frame construction with shaped foam and cover layers folded over the arm rest. Pillows are fiber filled for comfort. A plastic upholstery strip is stitched into the textile allowing the fabric to be stretched and pushed into place over the frame.

Notes

Handedness is determined from seated position.

Limited textile selection available. See application chart in appendices.

Dimensions



Specification Information

Step 1.

AJN1000

Step 2. Upholstery Type

Q1 quilted, single textile (outside quilted, inside not quilted, same color, same fabric family)

Prices for Steps 1-2.

AJN1000 Q1 \$5137

Step 3. Outside/Inside Fabric

Price Category (Geiger) G +\$1801

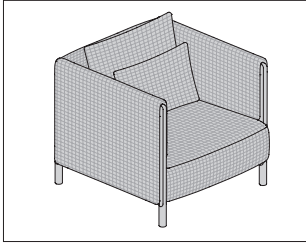
Step 4. Leg Finish

- A2** white ash +\$0
- EN** ebony +\$0
- OU** walnut +\$0
- SBA** soft blue ash +\$0
- SGA** soft green ash +\$0
- 66A** recograin frosty ash +\$0

Step 5. Fire Retardancy

- NFR** not fire retardant +\$0
- FR** fire retardant +\$495

ColourForm Club Chair, Quilted, Two Textiles AJN10
Textiles



Product Information

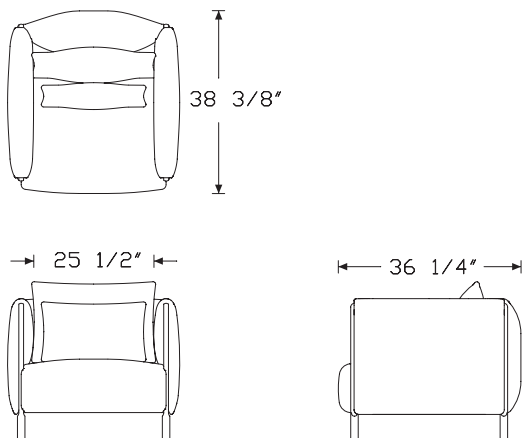
Description

This club chair has wooden frame construction with shaped foam and cover layers folded over the arm rest. Pillows are fiber filled for comfort. A plastic upholstery strip is stitched into the textile allowing the fabric to be stretched and pushed into place over the frame.

Notes

Handedness is determined from seated position.
Limited textile selection available. See application chart in appendices.

Dimensions



Specification Information

Step 1.

AJN1000 [A]

Step 2. Upholstery Type

Q2 quilted, two textiles (outside quilted, inside quilted) [A]

Prices for Steps 1-2.

AJN1000 Q2 \$5387

Step 3. Outside Fabric

Price Category (Geiger) G +\$1801

Step 4. Inside Fabric

Price Category (Geiger) G +\$0

Step 5. Leg Finish

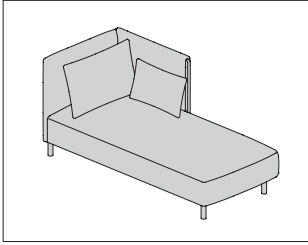
- A2 white ash [A] +\$0
- EN ebony [A] +\$0
- OU walnut [A] +\$0
- SBA soft blue ash [A] +\$0
- SGA soft green ash [A] +\$0
- 66A recograin frosty ash [A] +\$0

Step 6. Fire Retardancy

- NFR not fire retardant [A] +\$0
- FR fire retardant [A] +\$495

ColourForm Chaise, Not Quilted,
Single Textile

AJN10



Product Information

Description

This chaise has wooden frame construction with shaped foam and cover layers folded over the arm rest. Pillows are fiber filled for comfort. A plastic upholstery strip is stitched into the textile allowing the fabric to be stretched and pushed into place over the frame.

Notes

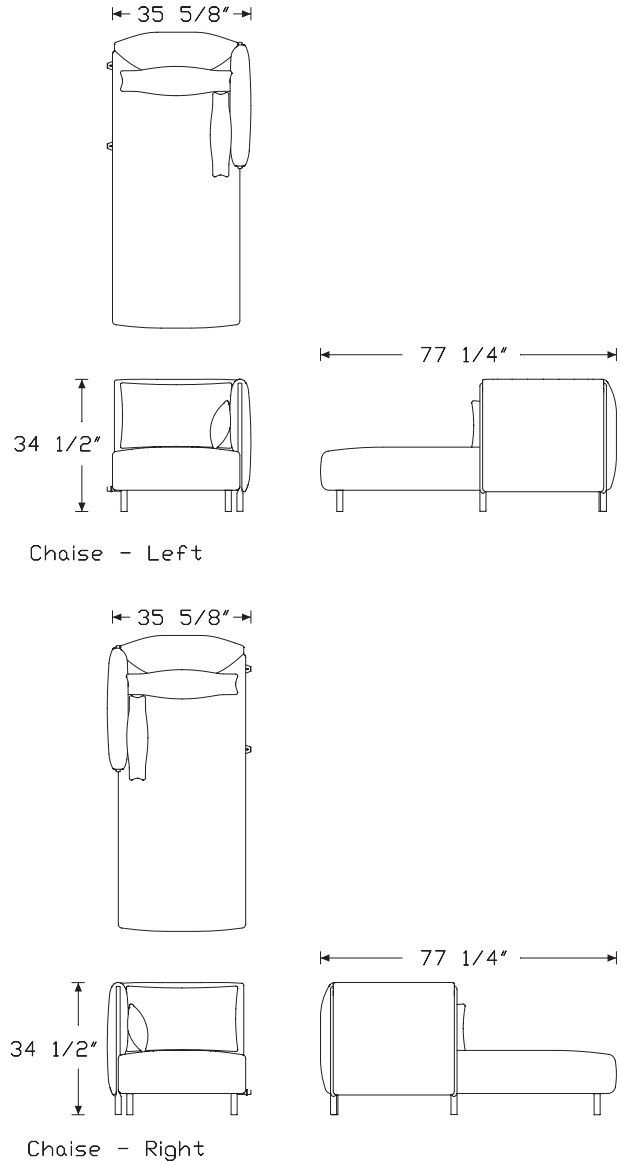
For modularity, order ganging kit (AJNG) separately.

Handedness is determined from seated position.

Limited textile selection available. See application chart in appendices.

HermanMiller Ancillary--Sofas

Dimensions



ColourForm Chaise, Not Quilted,
Single Textile *continued*

Specification Information

Step 1.

AJN A

Step 2. Configuration

1004R right chaise A

1004L left chaise A

Step 3. Upholstery Type

N not quilted, single textile A

Prices for Steps 1-3.

AJN1004R N \$5594

AJN1004L N \$5594

Step 4. Outside/Inside Fabric

Price Category (Geiger) D +\$1042

Price Category 10 +\$1682

Price Category 2 +\$74

Price Category (Geiger) 3 +\$155

Price Category 5 +\$1024

Price Category (Geiger) 7 +\$1301

Price Category (Geiger) G +\$1207

Price Category (Geiger) H +\$1679

Price Category (Geiger) I +\$1836

Price Category (Geiger) J +\$2618

Step 5. Leg Finish

EN ebony A +\$0

OU walnut A +\$0

A2 white ash A +\$0

SBA soft blue ash A +\$0

SGA soft green ash A +\$0

66A recograin frosty ash A +\$0

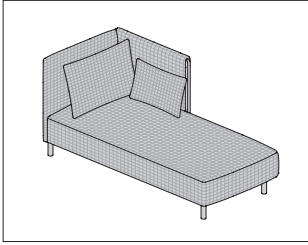
Step 6. Fire Retardancy

NFR not fire retardant A +\$0

FR fire retardant A +\$570

ColourForm Chaise, Quilted, Single
Textile

AJN10



Product Information

Description

This chaise has wooden frame construction with shaped foam and cover layers folded over the arm rest. Pillows are fiber filled for comfort. A plastic upholstery strip is stitched into the textile allowing the fabric to be stretched and pushed into place over the frame.

Notes

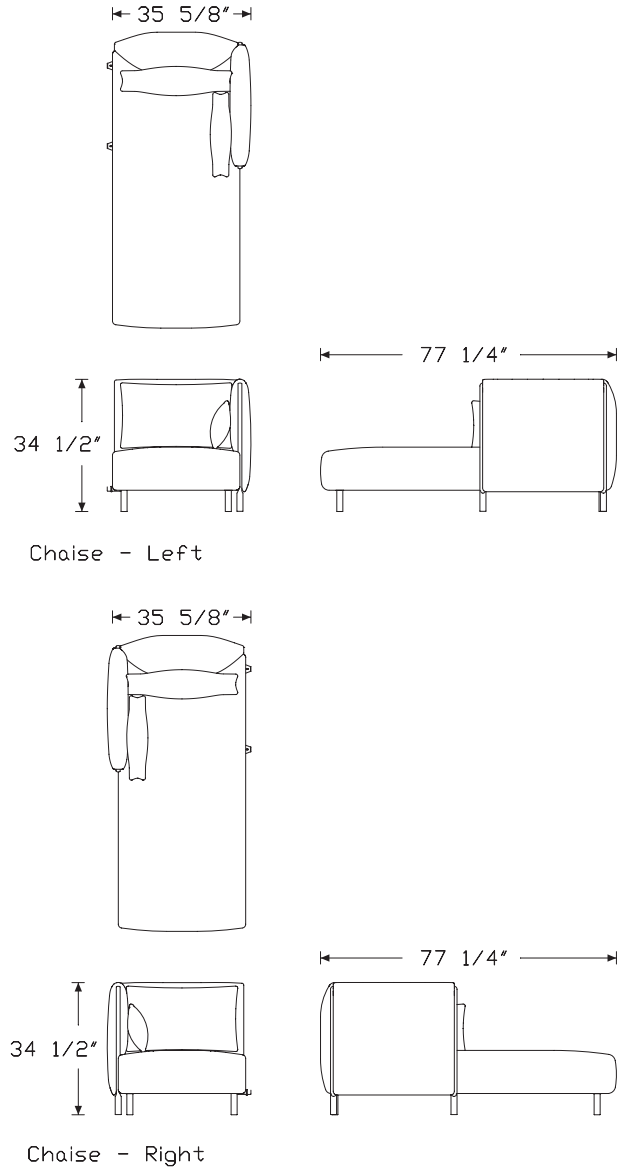
For modularity, order ganging kit (AJNG) separately.

Handedness is determined from seated position.

Limited textile selection available. See application chart in appendices.

HermanMiller Ancillary--Sofas

Dimensions



ColourForm Chaise, Quilted, Single
Textile *continued*

Specification Information

Step 1.

AJN A

Step 2. Configuration

1004L left chaise A

1004R right chaise A

Step 3. Upholstery Type

Q1 quilted, single textile (outside quilted, inside not quilted, same color, same fabric family) A

Prices for Steps 1-3.

AJN1004L Q1 \$5238

AJN1004R Q1 \$5238

Step 4. Outside/Inside Fabric

Price Category (Geiger) G +\$2076

Step 5. Leg Finish

A2 white ash A +\$0

EN ebony A +\$0

OU walnut A +\$0

SBA soft blue ash A +\$0

SGA soft green ash A +\$0

66A recograin frosty ash A +\$0

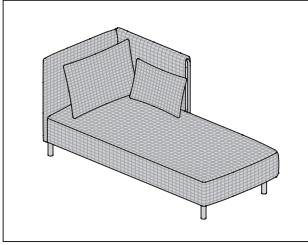
Step 6. Fire Retardancy

NFR not fire retardant A +\$0

FR fire retardant A +\$570

ColourForm Chaise, Quilted, Two Textiles

AJN10



Product Information

Description

This chaise has wooden frame construction with shaped foam and cover layers folded over the arm rest. Pillows are fiber filled for comfort. A plastic upholstery strip is stitched into the textile allowing the fabric to be stretched and pushed into place over the frame.

Notes

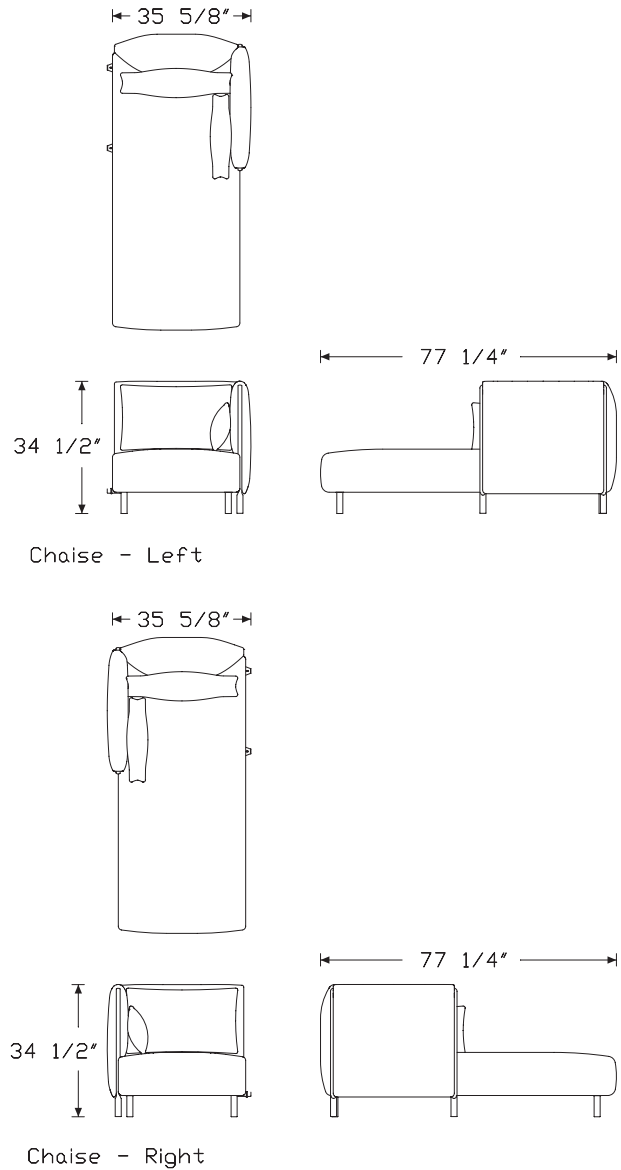
For modularity, order ganging kit (AJNG) separately.

Handedness is determined from seated position.

Limited textile selection available. See application chart in appendices.

HermanMiller Ancillary--Sofas

Dimensions



ColourForm Chaise, Quilted, Two
Textiles *continued*

Specification Information

Step 1.

AJN A

Step 2. Configuration

1004R right chaise A

1004L left chaise A

Step 3. Upholstery Type

Q2 quilted, two textiles (outside quilted, inside quilted) A

Prices for Steps 1-3.

AJN1004R Q2 \$5238

AJN1004L Q2 \$5238

Step 4. Outside Fabric

Price Category (Geiger) G +\$2076

Step 5. Inside Fabric

Price Category (Geiger) G +\$0

Step 6. Leg Finish

A2 white ash A +\$0

EN ebony A +\$0

OU walnut A +\$0

SBA soft blue ash A +\$0

SGA soft green ash A +\$0

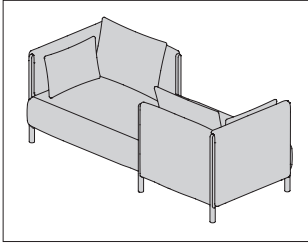
66A recograin frosty ash A +\$0

Step 7. Fire Retardancy

NFR not fire retardant A +\$0

FR fire retardant A +\$570

ColourForm Tete-a-Tete, Not Quilted, Single Textile AJN10



Product Information

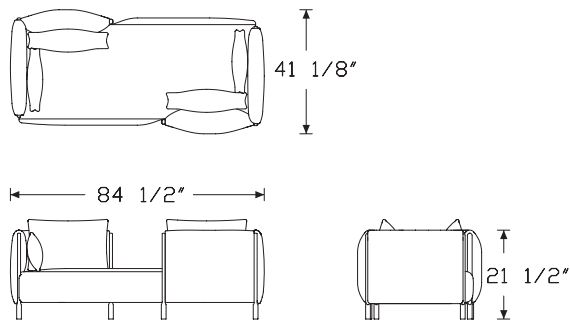
Description

This Tete-a-Tete has wooden frame construction with shaped foam and cover layers folded over the arm rest. Pillows are fiber filled for comfort. A plastic upholstery strip is stitched into the textile allowing the fabric to be stretched and pushed into place over the frame.

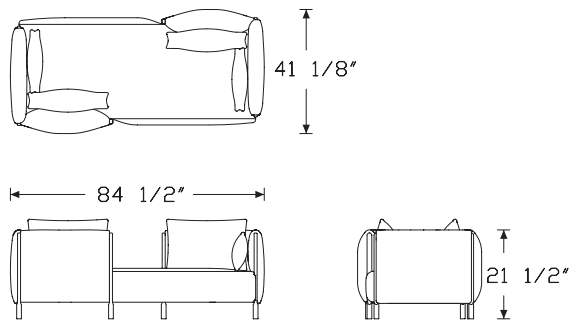
Notes

Handedness is determined from seated position.
 Limited textile selection available. See application chart in appendices.

Dimensions



Tete-a-tete Right



Tete-a-tete Left

Specification Information

Step 1.

AJN A

Step 2. Configuration

1006R tete-a-tete right A

1006L tete-a-tete left A

Step 3. Upholstery Type

N not quilted, single textile A

Prices for Steps 1-3.

AJN1006R N \$7848

AJN1006L N \$7848

Step 4. Outside/Inside Fabric

Price Category (Geiger) D	+ \$1480
Price Category 10	+ \$2526
Price Category 2	+ \$104
Price Category (Geiger) 3	+ \$220
Price Category 5	+ \$826
Price Category (Geiger) 7	+ \$1804
Price Category (Geiger) G	+ \$1726
Price Category (Geiger) H	+ \$2399
Price Category (Geiger) I	+ \$2609
Price Category (Geiger) J	+ \$3733

Step 5. Leg Finish

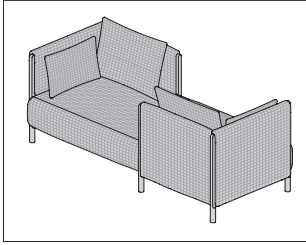
EN ebony <input type="checkbox"/> A	+ \$0
OU walnut <input type="checkbox"/> A	+ \$0
A2 white ash <input type="checkbox"/> A	+ \$0
SBA soft blue ash <input type="checkbox"/> A	+ \$0
SGA soft green ash <input type="checkbox"/> A	+ \$0
66A recograin frosty ash <input type="checkbox"/> A	+ \$0

Step 6. Fire Retardancy

NFR not fire retardant <input type="checkbox"/> A	+ \$0
FR fire retardant <input type="checkbox"/> A	+ \$810

ColourForm Tete-a-Tete, Quilted,
Single Textile

AJN10



Product Information

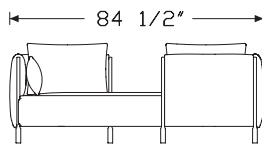
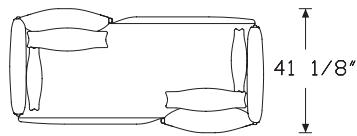
Description

This Tete-a-Tete has wooden frame construction with shaped foam and cover layers folded over the arm rest. Pillows are fiber filled for comfort. A plastic upholstery strip is stitched into the textile allowing the fabric to be stretched and pushed into place over the frame.

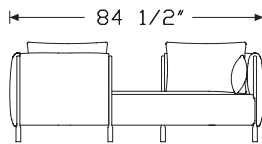
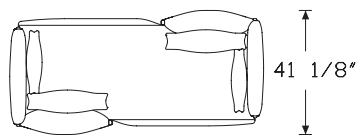
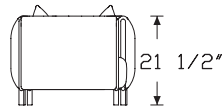
Notes

Handedness is determined from seated position.
Limited textile selection available. See application chart in appendices.

Dimensions



Tete-a-tete Right



Tete-a-tete Left

Specification Information

Step 1.

AJN A

Step 2. Configuration

1006R tete-a-tete right A

1006L tete-a-tete left A

Step 3. Upholstery Type

Q1 quilted, single textile (outside quilted, inside not quilted, same color, same fabric family) A

Prices for Steps 1-3.

AJN1006R Q1 \$7077

AJN1006L Q1 \$7077

Step 4. Outside/Inside Fabric

Price Category (Geiger) G +\$2948

Step 5. Leg Finish

A2 white ash A +\$0

EN ebony A +\$0

OU walnut A +\$0

SBA soft blue ash A +\$0

SGA soft green ash A +\$0

66A recograin frosty ash A +\$0

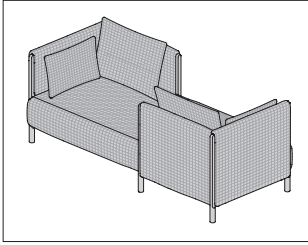
Step 6. Fire Retardancy

NFR not fire retardant A +\$0

FR fire retardant A +\$810

ColourForm Tete-a-Tete, Quilted,
Two Textiles

AJN10



Product Information

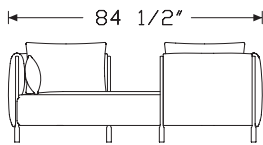
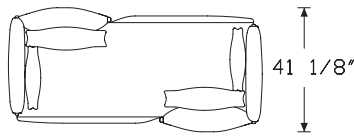
Description

This Tete-a-Tete has wooden frame construction with shaped foam and cover layers folded over the arm rest. Pillows are fiber filled for comfort. A plastic upholstery strip is stitched into the textile allowing the fabric to be stretched and pushed into place over the frame.

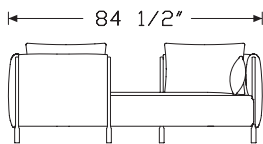
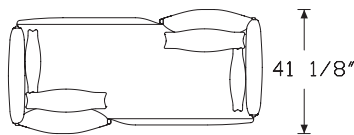
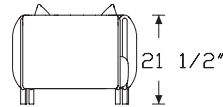
Notes

Handedness is determined from seated position.
Limited textile selection available. See application chart in appendices.

Dimensions



Tete-a-tete Right



Tete-a-tete Left

Specification Information

Step 1.

AJN A

Step 2. Configuration

1006R tete-a-tete right A

1006L tete-a-tete left A

Step 3. Upholstery Type

Q2 quilted, two textiles (outside quilted, inside quilted) A

Prices for Steps 1-3.

AJN1006R Q2 \$7077

AJN1006L Q2 \$7077

Step 4. Outside Fabric

Price Category (Geiger) G +\$2948

Step 5. Inside Fabric

Price Category (Geiger) G +\$0

Step 6. Leg Finish

A2 white ash A +\$0

EN ebony A +\$0

OU walnut A +\$0

SBA soft blue ash A +\$0

SGA soft green ash A +\$0

66A recograin frosty ash A +\$0

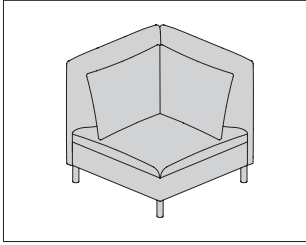
Step 7. Fire Retardancy

NFR not fire retardant A +\$0

FR fire retardant A +\$810

ColourForm Corner, Not Quilted,
Single Textile

AJN10



Product Information

Description

This corner seat has wooden frame construction with shaped foam and cover layers folded over the arm rest. Pillows are fiber filled for comfort. A plastic upholstery strip is stitched into the textile allowing the fabric to be stretched and pushed into place over the frame.

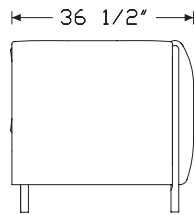
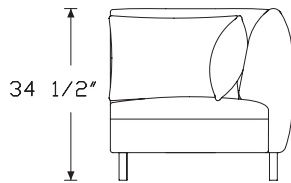
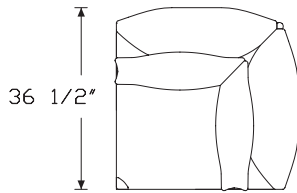
Notes

For modularity, order ganging kit (AJNG) separately.

Handedness is determined from seated position.

Limited textile selection available. See application chart in appendices.

Dimensions



Specification Information

Step 1.

AJN1005 A

Step 2. Upholstery Type

N not quilted, single textile A

Prices for Steps 1-2.

AJN1005 N \$4342

Step 3. Outside/Inside Fabric

Price Category (Geiger) D	+\$932
Price Category 10	+\$1578
Price Category 2	+\$68
Price Category (Geiger) 3	+\$140
Price Category 5	+\$522
Price Category (Geiger) 7	+\$1164
Price Category (Geiger) G	+\$1080
Price Category (Geiger) H	+\$1502
Price Category (Geiger) I	+\$1643
Price Category (Geiger) J	+\$2137

Step 4. Leg Finish

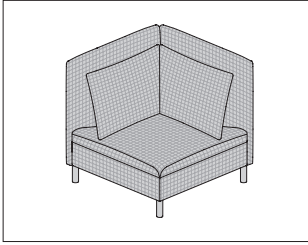
EN ebony <input type="checkbox"/> A	+\$0
OU walnut <input type="checkbox"/> A	+\$0
A2 white ash <input type="checkbox"/> A	+\$0
SBA soft blue ash <input type="checkbox"/> A	+\$0
SGA soft green ash <input type="checkbox"/> A	+\$0
66A recograin frosty ash <input type="checkbox"/> A	+\$0

Step 5. Fire Retardancy

NFR not fire retardant <input type="checkbox"/> A	+\$0
FR fire retardant <input type="checkbox"/> A	+\$510

ColourForm Corner, Quilted, Single
Textile

AJN10



Product Information

Description

This corner seat has wooden frame construction with shaped foam and cover layers folded over the arm rest. Pillows are fiber filled for comfort. A plastic upholstery strip is stitched into the textile allowing the fabric to be stretched and pushed into place over the frame.

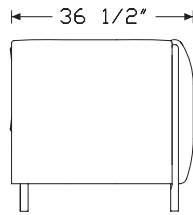
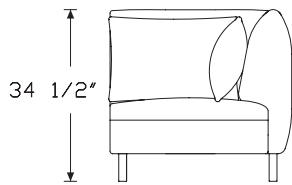
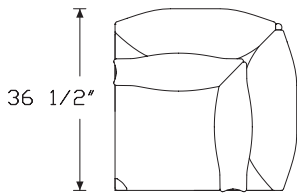
Notes

For modularity, order ganging kit (AJNG) separately.

Handedness is determined from seated position.

Limited textile selection available. See application chart in appendices.

Dimensions



HermanMiller Ancillary--Sofas

Specification Information

Step 1.

AJN1005

Step 2. Upholstery Type

Q1 quilted, single textile (outside quilted, inside not quilted, same color, same fabric family)

Prices for Steps 1-2.

AJN1005 Q1 \$4141

Step 3. Outside/Inside Fabric

Price Category (Geiger) G +\$1858

Step 4. Leg Finish

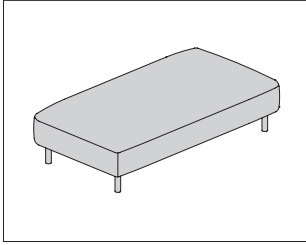
- A2** white ash +\$0
- EN** ebony +\$0
- OU** walnut +\$0
- SBA** soft blue ash +\$0
- SGA** soft green ash +\$0
- 66A** recograin frosty ash +\$0

Step 5. Fire Retardancy

- NFR** not fire retardant +\$0
- FR** fire retardant +\$510

ColourForm Bench, Not Quilted,
Single Textile

AJN2B
AJN3B

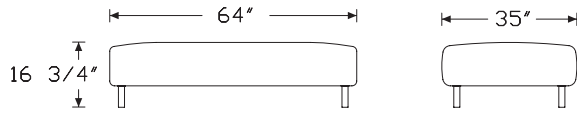


Product Information

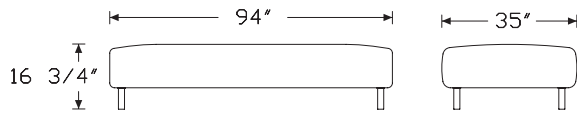
Description

This bench has wooden frame construction with shaped foam and cover layers folded over the arm rest. Pillows are fiber filled for comfort. A plastic upholstery strip is stitched into the textile allowing the fabric to be stretched and pushed into place over the frame.

Dimensions



2 Seat Bench



3 Seat Bench

Specification Information

Step 1.

AJN A

Step 2. Configuration

2B 2 seat bench A

3B 3 seat bench A

Step 3. Upholstery Type

N not quilted, single textile A

Prices for Steps 1-3.

AJN2B N \$3176

AJN3B N \$3202

Step 4. Bench Fabric

Price Category 2	+\$44
Price Category 5	+\$322
Price Category (Geiger) 3	+\$88
Price Category (Geiger) 7	+\$719
Price Category (Geiger) G	+\$667
Price Category (Geiger) H	+\$928
Price Category (Geiger) I	+\$1014
Price Category (Geiger) J	+\$1447
Price Category (Geiger) D	+\$576
Price Category 10	+\$959

Step 5. Leg Finish

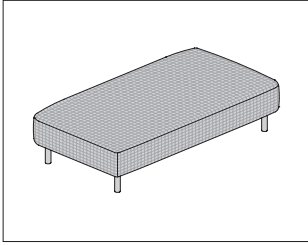
A2 white ash <input type="checkbox"/> A	+\$0
EN ebony <input type="checkbox"/> A	+\$0
OU walnut <input type="checkbox"/> A	+\$0
SBA soft blue ash <input type="checkbox"/> A	+\$0
SGA soft green ash <input type="checkbox"/> A	+\$0
66A recograin frosty ash <input type="checkbox"/> A	+\$0

Step 6. Fire Retardancy

NFR not fire retardant <input type="checkbox"/> A	+\$0
FR fire retardant <input type="checkbox"/> A	+\$360

ColourForm Bench, Quilted, Single Textile

AJN2B
AJN3B

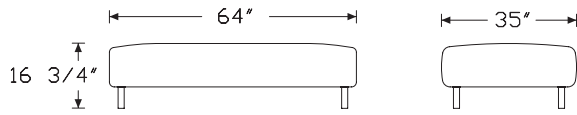


Product Information

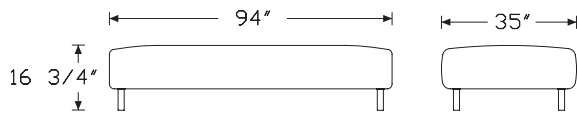
Description

This bench has wooden frame construction with shaped foam and cover layers folded over the arm rest. Pillows are fiber filled for comfort. A plastic upholstery strip is stitched into the textile allowing the fabric to be stretched and pushed into place over the frame.

Dimensions



2 Seat Bench



3 Seat Bench

HermanMiller Ancillary--Sofas

Specification Information

Step 1.

AJN A

Step 2. Configuration

2B 2 seat bench A

3B 3 seat bench A

Step 3. Upholstery Type

Q1 quilted, single textile (outside quilted, inside not quilted, same color, same fabric family) A

Prices for Steps 1-3.

AJN2B Q1 \$3176

AJN3B Q1 \$3202

Step 4. Bench Fabric

Price Category (Geiger) G +\$1146

Step 5. Leg Finish

A2 white ash A +\$0

EN ebony A +\$0

OU walnut A +\$0

SBA soft blue ash A +\$0

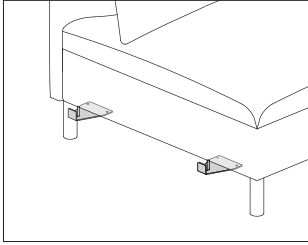
SGA soft green ash A +\$0

66A recograin frosty ash A +\$0

Step 6. Fire Retardancy

NFR not fire retardant A +\$0

FR fire retardant A +\$360

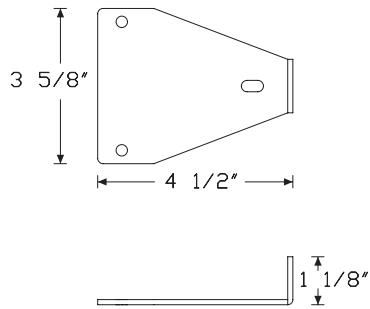


Product Information

Description

This ganging kit is required for modularity as noted on product pages.

Dimensions

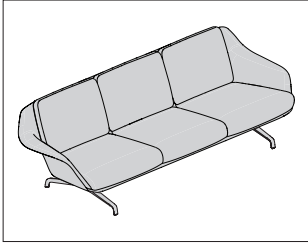


Specification Information

Step 1.

AJNG A

\$112



Product Information

Description

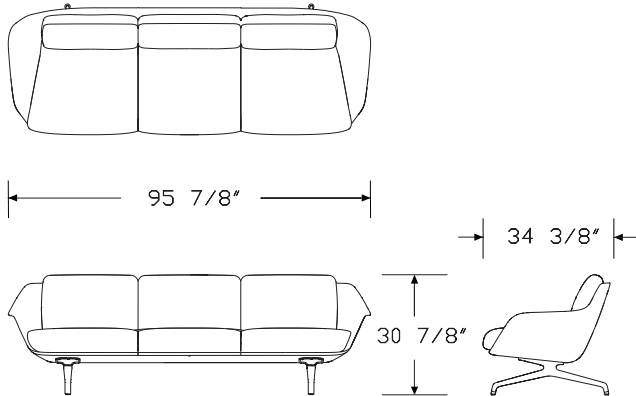
This low back sofa has a choice of 4-leg or wire base. Outer shell provides rigidity and support. Sofa comes with 3 back cushions and 3 seat cushions (attached). Cushions are constructed with dual-density foam.

Notes

Customer's Own Material (COM) requires 16 yards (7 for shell, 9 for cushions). See Order Information in appendices.

Dimensions

HermanMiller Ancillary--Sofas



Specification Information

Step 1.

CCL70 A

Step 2. Configuration

32 3 seat sofa A

3L 3 seat sofa - left arm A

3R 3 seat sofa - right arm A

Step 3. Base Type

4 four leg A

W wire A

Prices for Steps 1-3.

		4	W
CCL70	32	\$8120	8332
	3L	\$7876	8180
	3R	\$7876	8180

Step 4. Base Finish

For four leg (4)

91	white (CP) <input type="checkbox"/> A	+\$0
BK	black <input type="checkbox"/> A	+\$0
PA	polished aluminum <input type="checkbox"/> A	+\$0

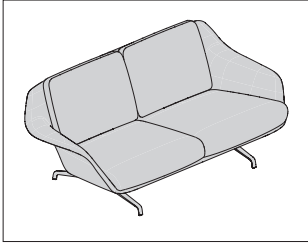
For wire (W)

47	trivalent chrome <input type="checkbox"/> A	+\$0
91	white (CP) <input type="checkbox"/> A	+\$0
BK	black <input type="checkbox"/> A	+\$0

Step 5. Shell Upholstery	
Price Category 1	+\$0
Price Category 2	+\$72
Price Category 3	+\$139
Price Category (Geiger) 3	+\$139
Price Category 4	+\$264
Price Category (Geiger) 4	+\$264
Price Category 5	+\$444
Price Category (Geiger) 5	+\$444
Price Category (Geiger) 6	+\$624
Price Category 7	+\$838
Price Category (Geiger) 7	+\$838
Price Category 8	+\$1102
Price Category 9	+\$1381
Price Category 10	+\$1662
Price Category (Geiger) 10	+\$1662
Price Category 11	+\$1942
Price Category (Geiger) 11	+\$1942
Price Category B	+\$242
Price Category (Geiger) C	+\$332
Price Category D	+\$420
Price Category G	+\$851
Price Category H	+\$1033
Price Category I	+\$1214
Price Category J	+\$1396
Price Category K	+\$2146
Price Category T	+\$3451

Step 6. Cushion Upholstery	
Price Category 1	+\$0
Price Category 2	+\$90
Price Category 3	+\$175
Price Category (Geiger) 3	+\$175
Price Category 4	+\$335
Price Category (Geiger) 4	+\$335
Price Category 5	+\$560
Price Category (Geiger) 5	+\$560
Price Category (Geiger) 6	+\$787
Price Category 7	+\$1057
Price Category (Geiger) 7	+\$1057
Price Category 8	+\$1390
Price Category 9	+\$1744
Price Category 10	+\$2096
Price Category (Geiger) 10	+\$2096
Price Category 11	+\$2450
Price Category (Geiger) 11	+\$2450
Price Category B	+\$307
Price Category (Geiger) C	+\$419
Price Category D	+\$530
Price Category G	+\$1073
Price Category H	+\$1304
Price Category I	+\$1534
Price Category J	+\$1762
Price Category K	+\$2760

Step 7. Fire Retardancy	
NFR not fire retardant <input type="checkbox"/> A	+\$0



Product Information

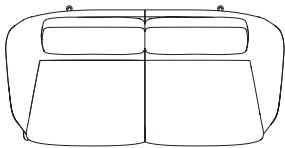
Description

This low back settee has a choice of 4-leg or wire base. Outer shell provides rigidity and support. Settee comes with 2 back cushions and 2 seat cushions (attached). Cushions are constructed with dual-density foam.

Notes

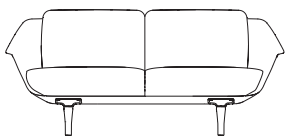
Customer's Own Material (COM) requires 11 yards (5 for shell, 6 for cushions). See Order Information in appendices.

Dimensions



68 3/4"

34 3/4"



30 7/8"



HermanMiller Ancillary--Sofas

Specification Information

Step 1.

CCL80 [A]

Step 2. Configuration

22 2 seat settee [A]

2L 2 seat settee - left arm [A]

2R 2 seat settee - right arm [A]

Step 3. Base Type

4 four leg [A]

W wire [A]

Prices for Steps 1-3.

		4	W
CCL80	22	\$7423	7739
	2L	\$7182	7438
	2R	\$7182	7438

Step 4. Base Finish

For four leg (4)

91	white (CP) [A]	+\$0
BK	black [A]	+\$0
PA	polished aluminum [A]	+\$0

For wire (W)

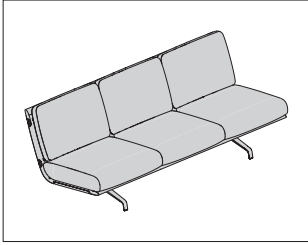
47	trivalent chrome [A]	+\$0
91	white (CP) [A]	+\$0
BK	black [A]	+\$0

Striad Low Back Settee *continued*

Step 5. Shell Upholstery	
Price Category 1	+\$0
Price Category 2	+\$53
Price Category 3	+\$104
Price Category (Geiger) 3	+\$104
Price Category 4	+\$197
Price Category (Geiger) 4	+\$197
Price Category 5	+\$330
Price Category (Geiger) 5	+\$330
Price Category (Geiger) 6	+\$463
Price Category 7	+\$622
Price Category (Geiger) 7	+\$622
Price Category 8	+\$817
Price Category 9	+\$1025
Price Category 10	+\$1232
Price Category (Geiger) 10	+\$1232
Price Category 11	+\$1440
Price Category (Geiger) 11	+\$1440
Price Category B	+\$181
Price Category (Geiger) C	+\$247
Price Category D	+\$312
Price Category G	+\$631
Price Category H	+\$767
Price Category I	+\$901
Price Category J	+\$1036
Price Category K	+\$1533
Price Category T	+\$2556

Step 6. Cushion Upholstery	
Price Category 1	+\$0
Price Category 2	+\$59
Price Category 3	+\$114
Price Category (Geiger) 3	+\$114
Price Category 4	+\$216
Price Category (Geiger) 4	+\$216
Price Category 5	+\$364
Price Category (Geiger) 5	+\$364
Price Category (Geiger) 6	+\$510
Price Category 7	+\$684
Price Category (Geiger) 7	+\$684
Price Category 8	+\$899
Price Category 9	+\$1127
Price Category 10	+\$1356
Price Category (Geiger) 10	+\$1356
Price Category 11	+\$1584
Price Category (Geiger) 11	+\$1584
Price Category B	+\$199
Price Category (Geiger) C	+\$272
Price Category D	+\$343
Price Category F	+\$509
Price Category G	+\$694
Price Category H	+\$844
Price Category I	+\$991
Price Category J	+\$1139
Price Category K	+\$1840

Step 7. Fire Retardancy	
NFR not fire retardant <input type="checkbox"/>	+\$0



Product Information

Description

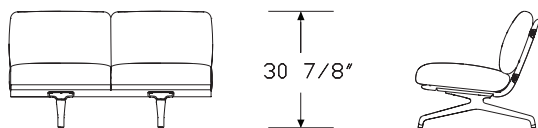
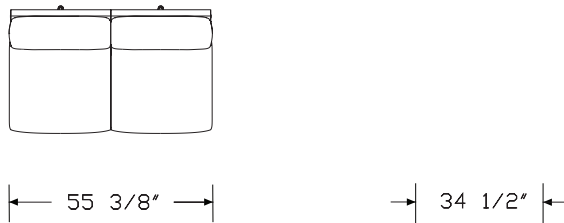
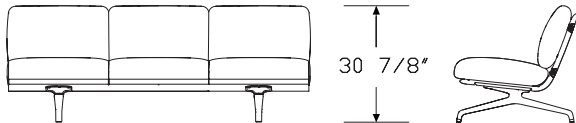
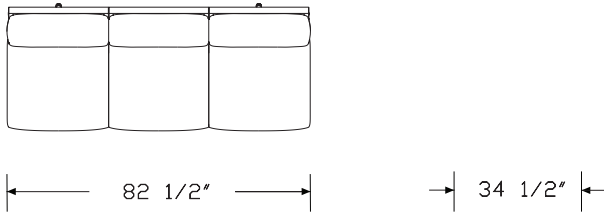
This low back armless unit has a choice of 4-leg or wire base. Outer shell provides rigidity and support. Unit comes with attached cushions. Cushions are constructed with dual-density foam.

Notes

Armless units have hardware at each end to connect to units with arms or to other armless/corner/curve units.

Customer's Own Material (COM) requires 16 yards (7 for shell, 9 for cushions). See Order Information in appendices.

Dimensions



Specification Information

Step 1.

CCL90 [A]

Step 2. Configuration

- 22** 2 seat [A]
- 33** 3 seat armless [A]

Step 3. Base Type

- 4** four leg [A]
- W** wire [A]

Prices for Steps 1-3.

		4	W
CCL90	22	\$7391	7655
	33	\$8105	8419

Step 4. Base Finish

For four leg (4)

- 91** white (CP) [A] +\$0
- BK** black [A] +\$0
- PA** polished aluminum [A] +\$0

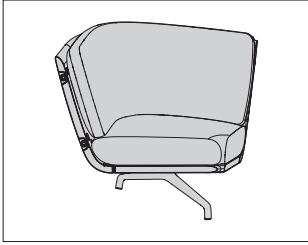
For wire (W)

- 47** trivalent chrome [A] +\$0
- 91** white (CP) [A] +\$0
- BK** black [A] +\$0

Step 5. Shell Upholstery	
Price Category 1	+\$0
Price Category 2	+\$72
Price Category 3	+\$139
Price Category (Geiger) 3	+\$139
Price Category 4	+\$264
Price Category (Geiger) 4	+\$264
Price Category 5	+\$444
Price Category (Geiger) 5	+\$444
Price Category (Geiger) 6	+\$624
Price Category 7	+\$838
Price Category (Geiger) 7	+\$838
Price Category 8	+\$1102
Price Category 9	+\$1381
Price Category 10	+\$1662
Price Category (Geiger) 10	+\$1662
Price Category 11	+\$1942
Price Category (Geiger) 11	+\$1942
Price Category B	+\$242
Price Category (Geiger) C	+\$332
Price Category D	+\$420
Price Category G	+\$851
Price Category H	+\$1033
Price Category I	+\$1214
Price Category J	+\$1396
Price Category K	+\$2146
Price Category T	+\$3578

Step 6. Cushion Upholstery	
Price Category 1	+\$0
Price Category 2	+\$90
Price Category 3	+\$175
Price Category (Geiger) 3	+\$175
Price Category 4	+\$335
Price Category (Geiger) 4	+\$335
Price Category 5	+\$560
Price Category (Geiger) 5	+\$560
Price Category (Geiger) 6	+\$787
Price Category 7	+\$1057
Price Category (Geiger) 7	+\$1057
Price Category 8	+\$1390
Price Category 9	+\$1744
Price Category 10	+\$2096
Price Category (Geiger) 10	+\$2096
Price Category 11	+\$2450
Price Category (Geiger) 11	+\$2450
Price Category B	+\$307
Price Category (Geiger) C	+\$419
Price Category D	+\$530
Price Category G	+\$1073
Price Category H	+\$1304
Price Category I	+\$1536
Price Category J	+\$1762
Price Category K	+\$2760

Step 7. Fire Retardancy	
NFR not fire retardant <input type="checkbox"/> A	+\$0



Product Information

Description

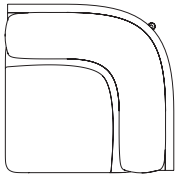
This low back corner unit has a choice of 4-leg or wire base. Outer shell provides rigidity and support. Unit comes with attached cushions. Cushions are constructed with dual-density foam.

Notes

Corner units have hardware at each end to connect to units with arms or to other armless/corner/curve units.

Customer's Own Material (COM) requires 8 yards (4 for shell, 4 for cushions). See Order Information in appendices.

Dimensions

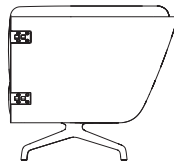


33 3/4"

33 3/4"



30 7/8"



Specification Information

Step 1.

CCL92 A

Step 2. Configuration

11 corner A

Step 3. Base Type

4 four leg A

W wire A

Prices for Steps 1-3.

	4	W
CCL92 11	\$4545	4773

Step 4. Base Finish

For four leg (4)

91 white (CP) <input type="checkbox"/> A	+\$0
BK black <input type="checkbox"/> A	+\$0
PA polished aluminum <input type="checkbox"/> A	+\$0

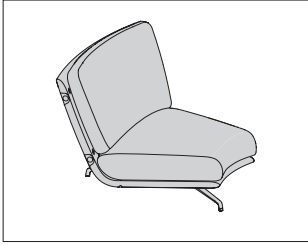
For wire (W)

47 trivalent chrome <input type="checkbox"/> A	+\$0
91 white (CP) <input type="checkbox"/> A	+\$0
BK black <input type="checkbox"/> A	+\$0

Step 5. Shell Upholstery	
Price Category 1	+\$0
Price Category 2	+\$43
Price Category 3	+\$84
Price Category (Geiger) 3	+\$84
Price Category 4	+\$158
Price Category (Geiger) 4	+\$158
Price Category 5	+\$264
Price Category (Geiger) 5	+\$264
Price Category (Geiger) 6	+\$371
Price Category 7	+\$498
Price Category (Geiger) 7	+\$498
Price Category 8	+\$654
Price Category 9	+\$821
Price Category 10	+\$986
Price Category (Geiger) 10	+\$986
Price Category 11	+\$1152
Price Category (Geiger) 11	+\$1152
Price Category B	+\$145
Price Category (Geiger) C	+\$198
Price Category D	+\$250
Price Category G	+\$505
Price Category H	+\$614
Price Category I	+\$722
Price Category J	+\$829
Price Category K	+\$1226
Price Category T	+\$2045

Step 6. Cushion Upholstery	
Price Category 1	+\$0
Price Category 2	+\$43
Price Category 3	+\$84
Price Category (Geiger) 3	+\$84
Price Category 4	+\$158
Price Category (Geiger) 4	+\$158
Price Category 5	+\$264
Price Category (Geiger) 5	+\$264
Price Category (Geiger) 6	+\$371
Price Category 7	+\$498
Price Category (Geiger) 7	+\$498
Price Category 8	+\$654
Price Category 9	+\$821
Price Category 10	+\$986
Price Category (Geiger) 10	+\$986
Price Category 11	+\$1152
Price Category (Geiger) 11	+\$1152
Price Category B	+\$145
Price Category (Geiger) C	+\$198
Price Category D	+\$250
Price Category G	+\$505
Price Category H	+\$614
Price Category I	+\$722
Price Category J	+\$829
Price Category K	+\$1226

Step 7. Fire Retardancy	
NFR not fire retardant <input type="checkbox"/>	+\$0



Product Information

Description

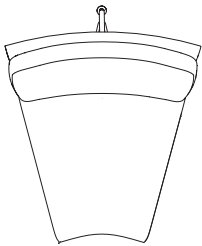
This low back curve unit has a choice of 4-leg or wire base. Outer shell provides rigidity and support. Unit comes with attached cushions. Cushions are constructed with dual-density foam.

Notes

Curve units have hardware at each end to connect to units with arms or to other armless/corner/curve units.

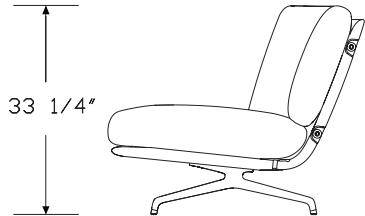
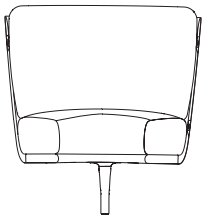
Customer's Own Material (COM) requires 6 yards (3 for shell, 3 for cushions). See Order Information in appendices.

Dimensions



29 1/2"

35 7/8"



33 1/4"

HermanMiller Ancillary--Sofas

Specification Information

Step 1.

CCL94 [A]

Step 2. Configuration

11 inside 30 degree [A]

Step 3. Base Type

4 four leg [A]

W wire [A]

Prices for Steps 1-3.

	4	W
CCL94 11	\$3940	4166

Step 4. Base Finish

For four leg (4)

91 white (CP) [A]	+\$0
BK black [A]	+\$0
PA polished aluminum [A]	+\$0

For wire (W)

47 trivalent chrome [A]	+\$0
91 white (CP) [A]	+\$0
BK black [A]	+\$0

Striad Low Back Curve *continued*

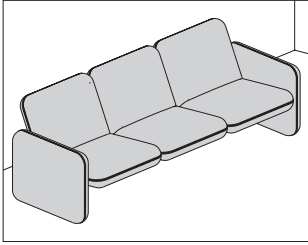
Step 5. Shell Upholstery	
Price Category 1	+\$0
Price Category 2	+\$32
Price Category 3	+\$64
Price Category (Geiger) 3	+\$64
Price Category 4	+\$119
Price Category (Geiger) 4	+\$119
Price Category 5	+\$198
Price Category (Geiger) 5	+\$198
Price Category (Geiger) 6	+\$278
Price Category 7	+\$374
Price Category (Geiger) 7	+\$374
Price Category 8	+\$491
Price Category 9	+\$616
Price Category 10	+\$740
Price Category (Geiger) 10	+\$740
Price Category 11	+\$864
Price Category (Geiger) 11	+\$864
Price Category B	+\$109
Price Category (Geiger) C	+\$149
Price Category D	+\$187
Price Category G	+\$379
Price Category H	+\$461
Price Category I	+\$542
Price Category J	+\$623
Price Category K	+\$920
Price Category T	+\$1534

Step 6. Cushion Upholstery	
Price Category 1	+\$0
Price Category 2	+\$32
Price Category 3	+\$64
Price Category (Geiger) 3	+\$64
Price Category 4	+\$119
Price Category (Geiger) 4	+\$119
Price Category 5	+\$198
Price Category (Geiger) 5	+\$198
Price Category (Geiger) 6	+\$278
Price Category 7	+\$374
Price Category (Geiger) 7	+\$374
Price Category 8	+\$491
Price Category 9	+\$616
Price Category 10	+\$740
Price Category (Geiger) 10	+\$740
Price Category 11	+\$864
Price Category (Geiger) 11	+\$864
Price Category B	+\$109
Price Category (Geiger) C	+\$149
Price Category D	+\$187
Price Category G	+\$379
Price Category H	+\$461
Price Category I	+\$542
Price Category J	+\$623
Price Category K	+\$920

Step 7. Fire Retardancy	
NFR not fire retardant <input type="checkbox"/>	+\$0

Wilkes Modular Sofa Group

- MG101
- MG102
- MG103
- MG104
- MG105
- MG106



Product Information

Description

This modular sofa has upholstered molded-foam seat, back and arms attached to a steel beam. Arms are outboard on sofas with 1 to 4 seats and inboard of the end seats on sofas with 5 or 6 seats.

Notes

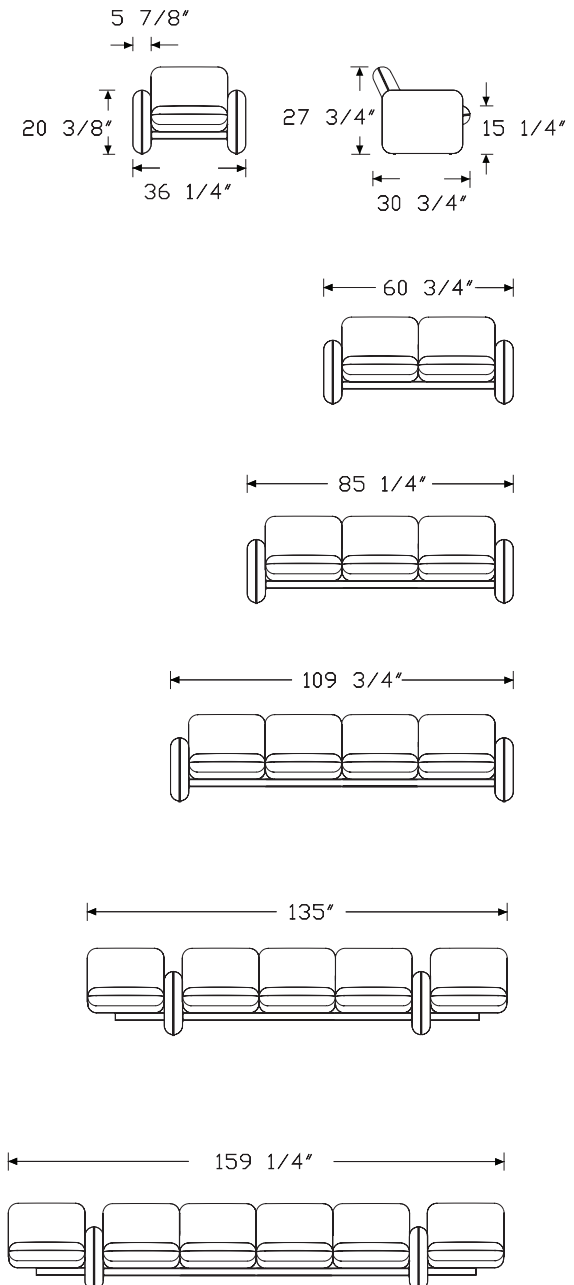
Customer's Own Material (COM) requires the following yardage:

Configuration—Yards

- MG101—6
- MG102—9¼
- MG103—12½
- MG104—15¾
- MG105—19
- MG106—22¼

HermanMiller Ancillary—Sofas

Dimensions



Specification Information

Step 1.

MG10 A

Step 2. Seats

- 1 chair A
- 2 two-seat sofa A
- 3 three-seat sofa A
- 4 four-seat sofa A
- 5 five-seat sofa A
- 6 six-seat sofa A

Prices for Steps 1-2.

MG101	\$2477
MG102	\$3596
MG103	\$4657
MG104	\$5187
MG105	\$5777
MG106	\$6660

Step 3. Fire Retardancy

NFR not fire retardant <input type="checkbox"/> A	+\$0
CRB Crib 5 compliant <input type="checkbox"/> A	+\$0

Step 4. Upholstery

For chair (1) with not fire retardant (NFR)

Price Category 1 <input type="checkbox"/> A	+\$0
Price Category 2	+\$54
Price Category 4	+\$239
Price Category 5	+\$412
Price Category 7	+\$787
Price Category (Geiger) 7	+\$787
Price Category 8	+\$1047
Price Category 12	+\$2112
Price Category J	+\$1235
Price Category K	+\$1391

For two-seat sofa (2) with not fire retardant (NFR)

Price Category 1 <input type="checkbox"/> A	+\$0
Price Category 2	+\$80
Price Category 4	+\$359
Price Category 5	+\$617
Price Category 7	+\$1182
Price Category (Geiger) 7	+\$1182
Price Category 8	+\$1615
Price Category 12	+\$3169
Price Category J	+\$1892
Price Category K	+\$2129

For three-seat sofa (3) with not fire retardant (NFR)

Price Category 1 <input type="checkbox"/> A	+\$0
Price Category 2	+\$107
Price Category 4	+\$479
Price Category 5	+\$822
Price Category 7	+\$1576
Price Category (Geiger) 7	+\$1576
Price Category 8	+\$2184
Price Category 12	+\$4225
Price Category J	+\$2547
Price Category K	+\$2868

For four-seat sofa (4) with not fire retardant (NFR)

Price Category 1 <input type="checkbox"/> A	+\$0
Price Category 2	+\$133
Price Category 4	+\$598
Price Category 5	+\$1028
Price Category 7	+\$1969
Price Category (Geiger) 7	+\$1969
Price Category 8	+\$2751
Price Category 12	+\$5281
Price Category J	+\$3204
Price Category K	+\$3607

For five-seat sofa (5) with not fire retardant (NFR)

Price Category 1 <input type="checkbox"/> A	+\$0
Price Category 2	+\$161
Price Category 4	+\$718
Price Category 5	+\$1234
Price Category 7	+\$2363
Price Category (Geiger) 7	+\$2363
Price Category 8	+\$3318
Price Category 12	+\$6337
Price Category J	+\$3860
Price Category K	+\$4346

Wilkes Modular Sofa Group *continued*

HermanMiller Ancillary—Sofas

For six-seat sofa (6) with not fire retardant (NFR)

Price Category 1 A	+\$0
Price Category 2	+\$187
Price Category 4	+\$838
Price Category 5	+\$1439
Price Category 7	+\$2758
Price Category (Geiger) 7	+\$2758
Price Category 8	+\$3887
Price Category 12	+\$7393
Price Category J	+\$4482
Price Category K	+\$5047

For six-seat sofa (6) with Crib 5 compliant (CRB)

Price Category 5	+\$1439
Price Category 7	+\$2758
Price Category 12	+\$7393
Price Category J	+\$4482
Price Category K	+\$5047

For chair (1) with Crib 5 compliant (CRB)

Price Category 5	+\$412
Price Category 7	+\$787
Price Category 12	+\$2112
Price Category J	+\$1235
Price Category K	+\$1391

For two-seat sofa (2) with Crib 5 compliant (CRB)

Price Category 5	+\$617
Price Category 7	+\$1182
Price Category 12	+\$3169
Price Category J	+\$1892
Price Category K	+\$2129

For three-seat sofa (3) with Crib 5 compliant (CRB)

Price Category 5	+\$822
Price Category 7	+\$1576
Price Category 12	+\$4225
Price Category J	+\$2547
Price Category K	+\$2868

For four-seat sofa (4) with Crib 5 compliant (CRB)

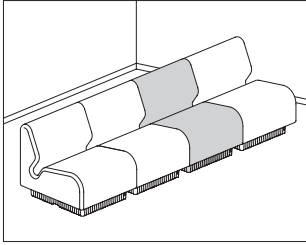
Price Category 5	+\$1028
Price Category 7	+\$1969
Price Category 12	+\$5281
Price Category J	+\$3204
Price Category K	+\$3607

For five-seat sofa (5) with Crib 5 compliant (CRB)

Price Category 5	+\$1234
Price Category 7	+\$2363
Price Category 12	+\$6337
Price Category J	+\$3860
Price Category K	+\$4346

Chadwick Module

- CM101
- CM102
- CM103
- CM105
- CM106



Product Information

Description

This fully upholstered foam module has a black molded base. Modules link together in any combination with loop connectors. 2 loop connectors are included with each module. Power components are sold separately.

Notes

Order base covers (CM104N) separately.

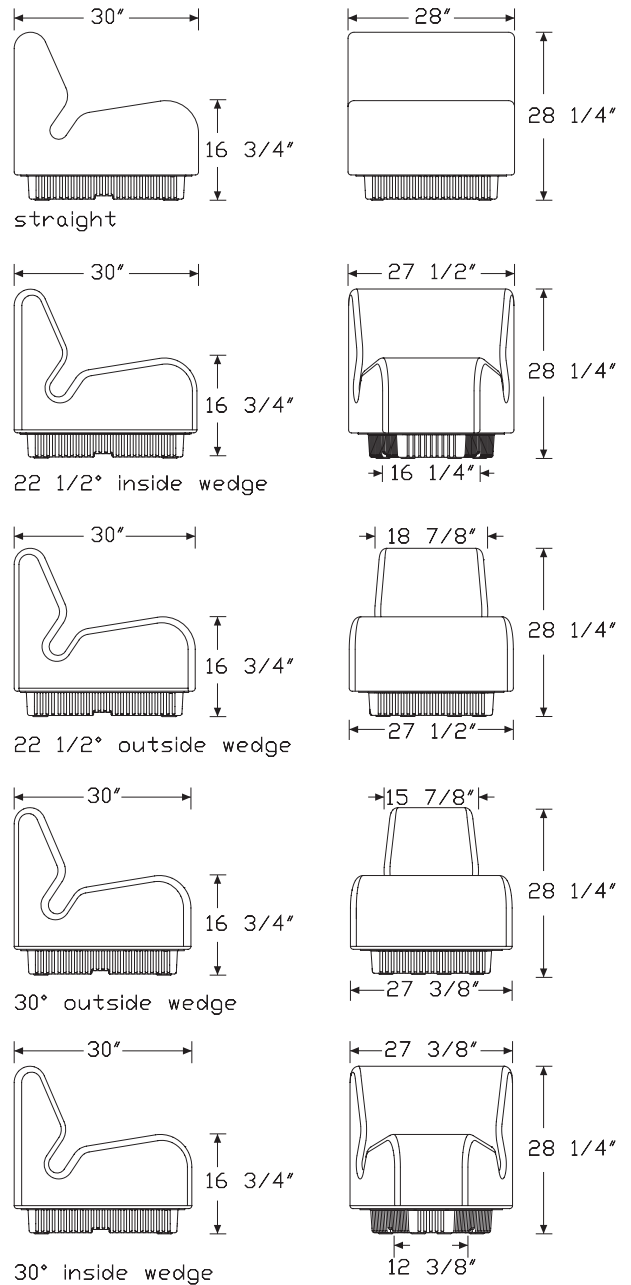
Customer's Own Material (COM) requires 4 yards for nonrepeating fabric.

See Order Information in Appendices. For more information, contact COM Department.

Fabrics with a repeat that must be matched, or that are less than 54" wide, require additional yardage. Use the following chart to determine COM yardage requirements. For fabric with both horizontal and vertical repeats, add the horizontal and vertical repeat inches together. Use the total number of repeat inches to determine the additional fabric needed.

Fabric	Plain	2"-10"	11"-20"	21"-25"	26"-30"
Width	Fabric	Repeat	Repeat	Repeat	Repeat
54"	0%	10%	15%	20%	25%
51"-53"	15%	20%	25%	30%	35%
48"-50"	30%	35%	40%	45%	50%
45"-47"	45%	50%	55%	60%	65%
36"-44"	60%	65%	70%	75%	80%

Dimensions



Specification Information

Step 1.

CM10 A

Step 2. Shape

- 1N** straight A
- 2N** 22½° inside wedge A
- 3N** 22½° outside wedge A
- 5N** 30° outside wedge A
- 6N** 30° inside wedge A

Step 3. Fire Retardancy

NFR not fire retardant A

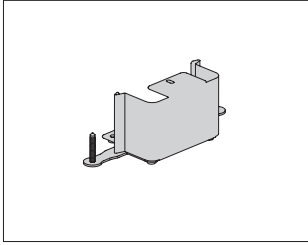
Prices for Steps 1-3.

CM101N NFR	\$2185
CM102N NFR	\$2109
CM103N NFR	\$2170
CM105N NFR	\$2170
CM106N NFR	\$2109

Step 4. Fabric

See application chart and textiles list for fabric usage and numbers. First 2 digits of number indicate fabric line; remaining digit(s) indicate fabric color.

Price Category 1 <input type="checkbox"/> A	+\$143
Price Category 2	+\$156
Price Category 4	+\$186
Price Category (Geiger) 4	+\$186
Price Category 5	+\$278
Price Category 7	+\$588
Price Category 9	+\$1106
Price Category 10	+\$1212
Price Category C	+\$174
Price Category H	+\$731
Price Category I	+\$870
Price Category J	+\$1009

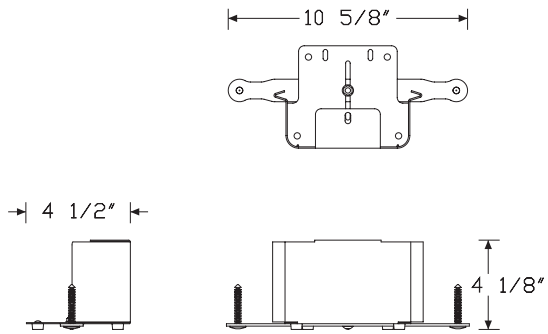


Product Information

Description

This base cover kit fills the gap at the base between 2 Chadwick modules. Package contains 2 steel covers to accommodate the front and back sides of the modules.

Dimensions

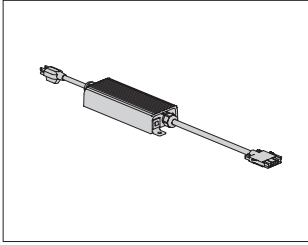


Specification Information

Step 1.

CM104N A

\$194



Product Information

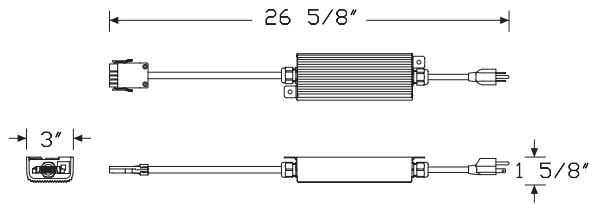
Description

This power entry connects a building's electrical supply from a wall, floor, or column to a Chadwick power receptacle kit. Entry can accommodate up to 8 duplex receptacles or 40' of cable length. Fire retardant Chadwick modules must be specified to be UL compliant. Power entry is UL listed.

Notes

Order power receptacle kit (CM108N) separately.

Dimensions



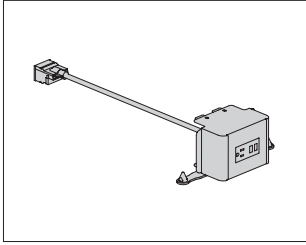
Specification Information

Step 1.

CM107N	A	\$519
---------------	----------	-------

Step 2. Cord Length

A	6'	A	+\$0
B	10'	A	+\$15
C	15'	A	+\$40
D	25'	A	+\$100

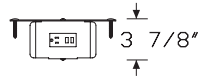
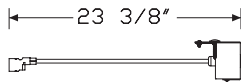
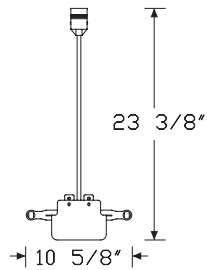


Product Information

Description

This receptacle kit attaches between 2 Chadwick module bases and has a 110-volt receptacle and 2 USB ports. It includes a base cover for the back of the base. Faceplate may be mounted flush with the base or slightly proud of the base. Receptacle kit is UL listed.

Dimensions

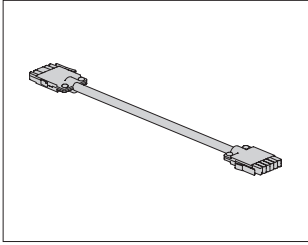


Specification Information

Step 1.

CM108N A

\$464



Product Information

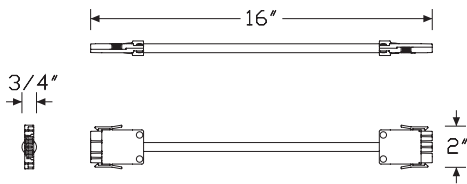
Description

This power jumper connects power between 2 receptacle kits. Jumper is UL listed.

Notes

Order power entry (CM107N) and receptacle kit (CM108N) separately.

Dimensions



Specification Information

Step 1.

CM109N A

Step 2. Length

A 30" A

B 47" A

C 75" A

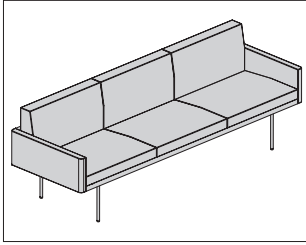
D 103" A

Prices for Steps 1-2.

CM109N	A	\$119
	B	\$132
	C	\$147
	D	\$165

Tuxedo Component Lounge™ Sofa

ST3AL
ST3AN
ST3AQ
ST3AR
ST3NN
ST3NQ



Product Information

Description

This sofa has a foam and Dacron® seat with a painted or plated steel base.

Notes

Order ganging plates (STGP) separately.

Customer's Own Material (COM)/Customer's Own Leather (COL) requires the following:

Type—COM—COL

ST3NN—11¼ yards—202½ square feet

ST3NQ—11¼ yards—202½ square feet

ST3AN—13 yards—234 square feet

ST3AQ—13 yards—234 square feet

ST3ALN—12¼ yards—220½ square feet

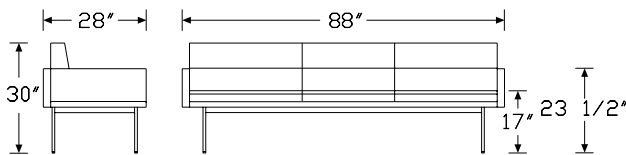
ST3ARN—12¼ yards—220½ square feet

ST3ALQ—12¼ yards—220½ square feet

ST3ARQ—12¼ yards—220½ square feet

See Order Information in Appendices for more information.

Dimensions



Specification Information

Step 1.

ST3 A

Step 2. Arms

N no arms A

A arms A

AL arm left, armless right A

AR arm right, armless left A

Step 3. Upholstery Type

N not quilted A

Q quilted A

Prices for Steps 1-3.

ST3NN	\$7305
ST3NQ	\$7557
ST3AN	\$8212
ST3AQ	\$8465
ST3AL N	\$7648
Q	\$7892
ST3AR N	\$7648
Q	\$7892

Step 4. Upholstery

For no arms (N) with not quilted (N)

Price Category 1	+\$0
Price Category (Geiger) 1	+\$544
Price Category 2	+\$654
Price Category (Geiger) 2	+\$654
Price Category 3	+\$821
Price Category (Geiger) 3	+\$821
Price Category 4	+\$1002
Price Category (Geiger) 4	+\$1002
Price Category 5	+\$1460
Price Category (Geiger) 5	+\$1460
Price Category (Geiger) 6	+\$1920
Price Category (Geiger) 7	+\$2378
Price Category (Geiger) 8	+\$3644
Price Category 9	+\$5222
Price Category (Geiger) 9	+\$4519
Price Category (Geiger) 10	+\$5202
Price Category (Geiger) 11	+\$5827
Price Category 14	+\$7634
Price Category (Geiger) A	+\$460

Tuxedo Component Lounge™ Sofa

continued

HermanMiller Ancillary--Sofas

Price Category (Geiger) C	+\$737
Price Category D	+\$974
Price Category (Geiger) D	+\$974
Price Category (Geiger) E	+\$1182
Price Category F	+\$1420
Price Category (Geiger) F	+\$1420
Price Category G	+\$1933
Price Category (Geiger) G	+\$1933
Price Category (Geiger) H	+\$2406
Price Category I	+\$2916
Price Category (Geiger) I	+\$2906
Price Category (Geiger) J	+\$3407
Price Category (Geiger) K	+\$3907
Price Category (Geiger) L	+\$4408
Price Category (Geiger) M	+\$4909
Price Category (Geiger) N	+\$5410
Price Category (Geiger) O	+\$5910
Price Category (Geiger) P	+\$6397
Price Category (Geiger) Q	+\$7385
Price Category (Geiger) R	+\$10290
Price Category (Geiger) V	+\$13349
Price Category (Geiger) X	+\$14880
Price Category (Geiger) Y	+\$15643
Price Category (Geiger) Z	+\$16416
Price Category (Geiger) COL A	+\$972
Price Category (Geiger) COM A	+\$0

For no arms (N) with quilted (Q)

Price Category 1	+\$0
Price Category (Geiger) 1	+\$544
Price Category 2	+\$654
Price Category (Geiger) 2	+\$654
Price Category 3	+\$821
Price Category (Geiger) 3	+\$821
Price Category 4	+\$1002
Price Category (Geiger) 4	+\$1002
Price Category 5	+\$1460
Price Category (Geiger) 5	+\$1460
Price Category (Geiger) 6	+\$1920
Price Category (Geiger) 7	+\$2378
Price Category (Geiger) 8	+\$3644
Price Category 9	+\$5222
Price Category (Geiger) 9	+\$4519
Price Category (Geiger) 10	+\$5202
Price Category (Geiger) 11	+\$5827
Price Category 14	+\$7634
Price Category (Geiger) A	+\$460

Price Category (Geiger) C	+\$737
Price Category D	+\$974
Price Category (Geiger) D	+\$974
Price Category (Geiger) E	+\$1182
Price Category F	+\$1420
Price Category (Geiger) F	+\$1420
Price Category G	+\$1933
Price Category (Geiger) G	+\$1933
Price Category (Geiger) H	+\$2406
Price Category I	+\$2916
Price Category (Geiger) I	+\$2906
Price Category (Geiger) J	+\$3407
Price Category (Geiger) K	+\$3907
Price Category (Geiger) L	+\$4408
Price Category (Geiger) M	+\$4909
Price Category (Geiger) N	+\$5410
Price Category (Geiger) O	+\$5910
Price Category (Geiger) P	+\$6397
Price Category (Geiger) Q	+\$7385
Price Category (Geiger) R	+\$10290
Price Category (Geiger) V	+\$13349
Price Category (Geiger) Z	+\$16416
Price Category (Geiger) COL A	+\$972
Price Category (Geiger) COM A	+\$0

For arms (A) with not quilted (N)

Price Category 1	+\$0
Price Category (Geiger) 1	+\$628
Price Category 2	+\$756
Price Category (Geiger) 2	+\$756
Price Category 3	+\$949
Price Category (Geiger) 3	+\$949
Price Category 4	+\$1158
Price Category (Geiger) 4	+\$1158
Price Category 5	+\$1687
Price Category (Geiger) 5	+\$1687
Price Category (Geiger) 6	+\$2218
Price Category (Geiger) 7	+\$2748
Price Category (Geiger) 8	+\$4211
Price Category 9	+\$5222
Price Category (Geiger) 9	+\$5222
Price Category (Geiger) 10	+\$6010
Price Category (Geiger) 11	+\$6733
Price Category 14	+\$8822
Price Category (Geiger) A	+\$530
Price Category (Geiger) C	+\$852
Price Category D	+\$1126

Tuxedo Component Lounge™ Sofa

continued

Price Category (Geiger) D	+\$1126	Price Category (Geiger) D	+\$1126
Price Category (Geiger) E	+\$1367	Price Category (Geiger) E	+\$1367
Price Category F	+\$1639	Price Category F	+\$1639
Price Category (Geiger) F	+\$1639	Price Category (Geiger) F	+\$1639
Price Category G	+\$2234	Price Category G	+\$2234
Price Category (Geiger) G	+\$2234	Price Category (Geiger) G	+\$2234
Price Category (Geiger) H	+\$2780	Price Category H	+\$1794
Price Category I	+\$3370	Price Category (Geiger) H	+\$2780
Price Category (Geiger) I	+\$3359	Price Category I	+\$3370
Price Category (Geiger) J	+\$3937	Price Category (Geiger) I	+\$3359
Price Category (Geiger) K	+\$4516	Price Category (Geiger) J	+\$3937
Price Category (Geiger) L	+\$5094	Price Category (Geiger) K	+\$4516
Price Category (Geiger) M	+\$5672	Price Category (Geiger) L	+\$5094
Price Category (Geiger) N	+\$6251	Price Category (Geiger) M	+\$5672
Price Category (Geiger) O	+\$6829	Price Category (Geiger) N	+\$6251
Price Category (Geiger) P	+\$7392	Price Category (Geiger) O	+\$6829
Price Category (Geiger) Q	+\$8533	Price Category (Geiger) P	+\$7392
Price Category (Geiger) R	+\$11891	Price Category (Geiger) Q	+\$8533
Price Category (Geiger) V	+\$15426	Price Category (Geiger) R	+\$11891
Price Category (Geiger) X	+\$17194	Price Category (Geiger) V	+\$15426
Price Category (Geiger) Y	+\$18077	Price Category (Geiger) X	+\$17194
Price Category (Geiger) Z	+\$18970	Price Category (Geiger) Y	+\$18077
Price Category (Geiger) COL A	+\$1123	Price Category (Geiger) Z	+\$18970
Price Category (Geiger) COM A	+\$0	Price Category (Geiger) COL A	+\$1123
		Price Category (Geiger) COM A	+\$0

For arms (A) with quilted (Q)

Price Category 1	+\$0
Price Category (Geiger) 1	+\$628
Price Category 2	+\$756
Price Category (Geiger) 2	+\$756
Price Category 3	+\$949
Price Category (Geiger) 3	+\$949
Price Category 4	+\$1158
Price Category (Geiger) 4	+\$1158
Price Category 5	+\$1687
Price Category (Geiger) 5	+\$1687
Price Category (Geiger) 6	+\$2218
Price Category (Geiger) 7	+\$2748
Price Category (Geiger) 8	+\$4211
Price Category 9	+\$5222
Price Category (Geiger) 9	+\$5222
Price Category (Geiger) 10	+\$6010
Price Category (Geiger) 11	+\$6733
Price Category 14	+\$8822
Price Category (Geiger) A	+\$530
Price Category (Geiger) C	+\$852
Price Category D	+\$1126

For arm left, armless right (AL) with quilted (Q)

Price Category 1	+\$0
Price Category (Geiger) 1	+\$592
Price Category 2	+\$713
Price Category (Geiger) 2	+\$713
Price Category 3	+\$894
Price Category (Geiger) 3	+\$894
Price Category 4	+\$1091
Price Category (Geiger) 4	+\$1091
Price Category 5	+\$1591
Price Category (Geiger) 5	+\$1591
Price Category (Geiger) 6	+\$2090
Price Category (Geiger) 7	+\$2590
Price Category (Geiger) 8	+\$3968
Price Category 9	+\$4922
Price Category (Geiger) 9	+\$4922
Price Category (Geiger) 10	+\$5664
Price Category (Geiger) 11	+\$6344
Price Category 14	+\$8314
Price Category (Geiger) A	+\$502
Price Category (Geiger) C	+\$804
Price Category D	+\$1061
Price Category (Geiger) D	+\$1061

HermanMiller Ancillary-Sofas

Tuxedo Component Lounge™ Sofa

continued

HermanMiller Ancillary--Sofas

Price Category (Geiger) E	+\$1289	Price Category (Geiger) F	+\$1546
Price Category F	+\$1546	Price Category G	+\$2044
Price Category (Geiger) F	+\$1546	Price Category (Geiger) G	+\$2106
Price Category G	+\$2044	Price Category (Geiger) H	+\$2621
Price Category (Geiger) G	+\$2106	Price Category I	+\$3175
Price Category (Geiger) H	+\$2621	Price Category (Geiger) I	+\$3166
Price Category I	+\$3175	Price Category (Geiger) J	+\$3712
Price Category (Geiger) I	+\$3166	Price Category (Geiger) K	+\$4256
Price Category (Geiger) J	+\$3712	Price Category (Geiger) L	+\$4801
Price Category (Geiger) K	+\$4256	Price Category (Geiger) M	+\$5346
Price Category (Geiger) L	+\$4801	Price Category (Geiger) N	+\$5891
Price Category (Geiger) M	+\$5346	Price Category (Geiger) O	+\$6437
Price Category (Geiger) N	+\$5891	Price Category (Geiger) P	+\$6966
Price Category (Geiger) O	+\$6437	Price Category (Geiger) Q	+\$8041
Price Category (Geiger) P	+\$6966	Price Category (Geiger) R	+\$11204
Price Category (Geiger) Q	+\$8041	Price Category (Geiger) V	+\$14536
Price Category (Geiger) R	+\$11204	Price Category (Geiger) Z	+\$17875
Price Category (Geiger) V	+\$14536	Price Category (Geiger) COL A	+\$1058
Price Category (Geiger) Z	+\$17875	Price Category (Geiger) COM A	+\$0
Price Category (Geiger) COL A	+\$1058		
Price Category (Geiger) COM A	+\$0		
<hr/>			
<i>For arm right, armless left (AR) with quilted (Q)</i>			
Price Category 1	+\$0	<i>For arm right, armless left (AR) with not quilted (N)</i>	
Price Category (Geiger) 1	+\$592	Price Category 1	+\$0
Price Category 2	+\$713	Price Category (Geiger) 1	+\$592
Price Category (Geiger) 2	+\$713	Price Category 2	+\$713
Price Category 3	+\$894	Price Category (Geiger) 2	+\$713
Price Category (Geiger) 3	+\$894	Price Category 3	+\$894
Price Category 4	+\$1091	Price Category (Geiger) 3	+\$894
Price Category (Geiger) 4	+\$1091	Price Category 4	+\$1091
Price Category 5	+\$1591	Price Category (Geiger) 4	+\$1091
Price Category (Geiger) 5	+\$1591	Price Category 5	+\$1591
Price Category 6	+\$2090	Price Category (Geiger) 5	+\$1591
Price Category (Geiger) 6	+\$2090	Price Category 6	+\$2090
Price Category 7	+\$2590	Price Category (Geiger) 6	+\$2090
Price Category (Geiger) 7	+\$2590	Price Category 7	+\$2590
Price Category 8	+\$3968	Price Category (Geiger) 7	+\$2590
Price Category (Geiger) 8	+\$3968	Price Category 8	+\$3968
Price Category 9	+\$4922	Price Category (Geiger) 8	+\$3968
Price Category (Geiger) 9	+\$4922	Price Category 9	+\$4922
Price Category 10	+\$5664	Price Category (Geiger) 9	+\$4922
Price Category (Geiger) 10	+\$5664	Price Category 10	+\$5664
Price Category 11	+\$6344	Price Category (Geiger) 10	+\$5664
Price Category (Geiger) 11	+\$6344	Price Category 11	+\$6344
Price Category 14	+\$8314	Price Category (Geiger) 11	+\$6344
Price Category (Geiger) 14	+\$8314	Price Category 14	+\$8314
Price Category A	+\$502	Price Category (Geiger) A	+\$502
Price Category (Geiger) A	+\$502	Price Category (Geiger) C	+\$804
Price Category C	+\$804	Price Category D	+\$1061
Price Category D	+\$1061	Price Category (Geiger) D	+\$1061
Price Category (Geiger) D	+\$1061	Price Category (Geiger) E	+\$1289
Price Category E	+\$1289	Price Category F	+\$1546
Price Category (Geiger) E	+\$1289	Price Category (Geiger) F	+\$1546
Price Category F	+\$1546	Price Category G	+\$2044
Price Category (Geiger) F	+\$1546		

Tuxedo Component Lounge™ Sofa

continued

Price Category (Geiger) G	+\$2106
Price Category (Geiger) H	+\$2621
Price Category I	+\$3175
Price Category (Geiger) I	+\$3166
Price Category (Geiger) J	+\$3712
Price Category (Geiger) K	+\$4256
Price Category (Geiger) L	+\$4801
Price Category (Geiger) M	+\$5346
Price Category (Geiger) N	+\$5891
Price Category (Geiger) O	+\$6437
Price Category (Geiger) P	+\$6966
Price Category (Geiger) Q	+\$8041
Price Category (Geiger) R	+\$11204
Price Category (Geiger) V	+\$14536
Price Category (Geiger) X	+\$16202
Price Category (Geiger) Y	+\$17035
Price Category (Geiger) Z	+\$17875
Price Category (Geiger) COL <input type="checkbox"/>	+\$1058
Price Category (Geiger) COM <input type="checkbox"/>	+\$0

For arm left, armless right (AL) with not quilted (N)

Price Category 1	+\$0
Price Category (Geiger) 1	+\$592
Price Category 2	+\$713
Price Category (Geiger) 2	+\$713
Price Category 3	+\$894
Price Category (Geiger) 3	+\$894
Price Category 4	+\$1091
Price Category (Geiger) 4	+\$1091
Price Category 5	+\$1591
Price Category (Geiger) 5	+\$1591
Price Category (Geiger) 6	+\$2090
Price Category (Geiger) 7	+\$2590
Price Category (Geiger) 8	+\$3968
Price Category 9	+\$4922
Price Category (Geiger) 9	+\$4922
Price Category (Geiger) 10	+\$5664
Price Category (Geiger) 11	+\$6344
Price Category 14	+\$8314
Price Category (Geiger) A	+\$502
Price Category (Geiger) C	+\$804
Price Category D	+\$1061
Price Category (Geiger) D	+\$1061
Price Category (Geiger) E	+\$1289
Price Category F	+\$1546
Price Category (Geiger) F	+\$1546
Price Category G	+\$2044

Price Category (Geiger) G	+\$2106
Price Category (Geiger) H	+\$2621
Price Category I	+\$3175
Price Category (Geiger) I	+\$3166
Price Category (Geiger) J	+\$3712
Price Category (Geiger) K	+\$4256
Price Category (Geiger) L	+\$4801
Price Category (Geiger) M	+\$5346
Price Category (Geiger) N	+\$5891
Price Category (Geiger) O	+\$6437
Price Category (Geiger) P	+\$6966
Price Category (Geiger) Q	+\$8041
Price Category (Geiger) R	+\$11204
Price Category (Geiger) V	+\$14536
Price Category (Geiger) X	+\$16202
Price Category (Geiger) Y	+\$17035
Price Category (Geiger) Z	+\$17875
Price Category (Geiger) COL <input type="checkbox"/>	+\$1058
Price Category (Geiger) COM <input type="checkbox"/>	+\$0

Step 5. Base Finish

926 black <input type="checkbox"/>	+\$0
AS arctic silver <input type="checkbox"/>	+\$0
WHT white <input type="checkbox"/>	+\$0
CHR chrome <input type="checkbox"/>	+\$671
SAC satin chrome <input type="checkbox"/>	+\$671

Step 6. Fire Retardancy

For no arms (N)

NOCAL not fire retardant <input type="checkbox"/>	+\$0
----------------------------------------------------------	------

For arms (A)

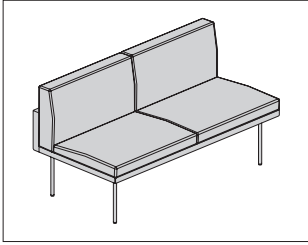
NOCAL not fire retardant <input type="checkbox"/>	+\$0
----------------------------------------------------------	------

For arm left, armless right (AL) or arm right, armless left (AR)

NOCAL not fire retardant <input type="checkbox"/>	+\$0
----------------------------------------------------------	------

Tuxedo Component Lounge™ Settee

ST2AL
ST2AN
ST2AQ
ST2AR
ST2NN
ST2NQ



Product Information

Description

This settee has a foam and Dacron® seat with a painted or plated steel base.

Notes

Order ganging plates (STGP) separately.

Customer's Own Material (COM)/Customer's Own Leather (COL) requires the following:

Type—COM—COL

ST2NN—7½ yards—135 square feet

ST2NQ—7½ yards—135 square feet

ST2AN—9¼ yards—166½ square feet

ST2AQ—9¼ yards—166½ square feet

ST2ALN—8½ yards—153 square feet

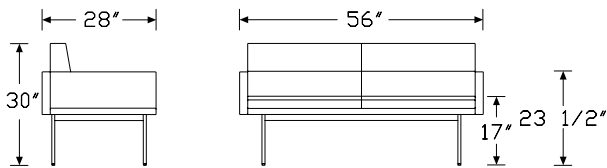
ST2ARN—8½ yards—153 square feet

ST2ALQ—8½ yards—153 square feet

ST2ARQ—8½ yards—153 square feet

See Order Information in Appendices for more information.

Dimensions



Specification Information

Step 1.

ST2 A

Step 2. Arms

N no arms A

A arms A

AL arm left, armless right A

AR arm right, armless left A

Step 3. Upholstery Type

N not quilted A

Q quilted A

Prices for Steps 1-3.

ST2NN	\$5287
ST2NQ	\$5439
ST2AN	\$6018
ST2AQ	\$6426
ST2AL N	\$5499
Q	\$5683
ST2AR N	\$5499
Q	\$5683

Step 4. Upholstery

For no arms (N) with not quilted (N)

Price Category 1	+\$0
Price Category (Geiger) 1	+\$362
Price Category 2	+\$437
Price Category (Geiger) 2	+\$437
Price Category 3	+\$548
Price Category (Geiger) 3	+\$548
Price Category 4	+\$668
Price Category (Geiger) 4	+\$668
Price Category 5	+\$974
Price Category (Geiger) 5	+\$974
Price Category (Geiger) 6	+\$1280
Price Category (Geiger) 7	+\$1586
Price Category (Geiger) 8	+\$2429
Price Category 9	+\$3716
Price Category (Geiger) 9	+\$3014
Price Category (Geiger) 10	+\$3468
Price Category (Geiger) 11	+\$3886
Price Category 14	+\$5090
Price Category (Geiger) A	+\$307

Tuxedo Component Lounge™ Settee

continued

Price Category (Geiger) C	+\$492	Price Category (Geiger) E	+\$790
Price Category D	+\$649	Price Category (Geiger) F	+\$946
Price Category (Geiger) D	+\$649	Price Category (Geiger) G	+\$1290
Price Category (Geiger) E	+\$790	Price Category (Geiger) H	+\$1604
Price Category (Geiger) F	+\$946	Price Category (Geiger) I	+\$1939
Price Category (Geiger) G	+\$1290	Price Category (Geiger) J	+\$2273
Price Category (Geiger) H	+\$1604	Price Category (Geiger) K	+\$2606
Price Category (Geiger) I	+\$1939	Price Category (Geiger) L	+\$2940
Price Category (Geiger) J	+\$2273	Price Category (Geiger) M	+\$3274
Price Category (Geiger) K	+\$2606	Price Category (Geiger) N	+\$3607
Price Category (Geiger) L	+\$2940	Price Category (Geiger) O	+\$3941
Price Category (Geiger) M	+\$3274	Price Category (Geiger) P	+\$4265
Price Category (Geiger) N	+\$3607	Price Category (Geiger) Q	+\$4924
Price Category (Geiger) O	+\$3941	Price Category (Geiger) R	+\$6860
Price Category (Geiger) P	+\$4265	Price Category (Geiger) V	+\$8899
Price Category (Geiger) Q	+\$4924	Price Category (Geiger) Z	+\$10944
Price Category (Geiger) R	+\$6860	Price Category (Geiger) COL A	+\$648
Price Category (Geiger) V	+\$8899	Price Category (Geiger) COM A	+\$0
Price Category (Geiger) X	+\$9919		
Price Category (Geiger) Y	+\$10430		
Price Category (Geiger) Z	+\$10944		
Price Category (Geiger) COL A	+\$648		
Price Category (Geiger) COM A	+\$0		
<hr/>			
<i>For no arms (N) with quilted (Q)</i>			
Price Category 1	+\$0	<i>For arms (A) with not quilted (N)</i>	
Price Category (Geiger) 1	+\$362	Price Category 1	+\$0
Price Category 2	+\$437	Price Category (Geiger) 1	+\$446
Price Category (Geiger) 2	+\$437	Price Category 2	+\$539
Price Category 3	+\$548	Price Category (Geiger) 2	+\$539
Price Category (Geiger) 3	+\$548	Price Category 3	+\$676
Price Category 4	+\$668	Price Category (Geiger) 3	+\$676
Price Category (Geiger) 4	+\$668	Price Category 4	+\$823
Price Category 5	+\$974	Price Category (Geiger) 4	+\$823
Price Category (Geiger) 5	+\$974	Price Category 5	+\$1201
Price Category 6	+\$1280	Price Category (Geiger) 5	+\$1201
Price Category (Geiger) 6	+\$1280	Price Category 6	+\$1579
Price Category 7	+\$1586	Price Category (Geiger) 6	+\$1579
Price Category (Geiger) 7	+\$1586	Price Category 7	+\$1956
Price Category 8	+\$2429	Price Category (Geiger) 7	+\$1956
Price Category (Geiger) 8	+\$2429	Price Category 8	+\$2996
Price Category 9	+\$3716	Price Category (Geiger) 8	+\$2996
Price Category (Geiger) 9	+\$3014	Price Category 9	+\$3716
Price Category 10	+\$3468	Price Category (Geiger) 9	+\$3716
Price Category (Geiger) 10	+\$3468	Price Category 10	+\$4277
Price Category 11	+\$3886	Price Category (Geiger) 10	+\$4277
Price Category (Geiger) 11	+\$3886	Price Category 11	+\$4792
Price Category 14	+\$5090	Price Category (Geiger) 11	+\$4792
Price Category (Geiger) A	+\$307	Price Category 14	+\$6277
Price Category (Geiger) C	+\$492	Price Category (Geiger) A	+\$378
Price Category D	+\$649	Price Category (Geiger) C	+\$606
Price Category (Geiger) D	+\$649	Price Category D	+\$802
		Price Category (Geiger) D	+\$802
		Price Category (Geiger) E	+\$972
		Price Category (Geiger) F	+\$1168
		Price Category (Geiger) G	+\$1590
		Price Category (Geiger) H	+\$1978
		Price Category (Geiger) I	+\$2389

Tuxedo Component Lounge™ Settee

continued

HermanMiller Ancillary--Sofas

Price Category (Geiger) J	+\$2801
Price Category (Geiger) K	+\$3212
Price Category (Geiger) L	+\$3624
Price Category (Geiger) M	+\$4036
Price Category (Geiger) N	+\$4447
Price Category (Geiger) O	+\$4859
Price Category (Geiger) P	+\$5260
Price Category (Geiger) Q	+\$6072
Price Category (Geiger) R	+\$8461
Price Category (Geiger) V	+\$10976
Price Category (Geiger) X	+\$12234
Price Category (Geiger) Y	+\$12863
Price Category (Geiger) Z	+\$13498
Price Category (Geiger) COL A	+\$799
Price Category (Geiger) COM A	+\$0

For arms (A) with quilted (Q)

Price Category 1	+\$0
Price Category (Geiger) 1	+\$446
Price Category 2	+\$539
Price Category (Geiger) 2	+\$539
Price Category 3	+\$676
Price Category (Geiger) 3	+\$676
Price Category 4	+\$823
Price Category (Geiger) 4	+\$823
Price Category 5	+\$1201
Price Category (Geiger) 5	+\$1201
Price Category (Geiger) 6	+\$1579
Price Category (Geiger) 7	+\$1956
Price Category (Geiger) 8	+\$2996
Price Category 9	+\$3716
Price Category (Geiger) 9	+\$3716
Price Category (Geiger) 10	+\$4277
Price Category (Geiger) 11	+\$4792
Price Category 14	+\$6277
Price Category (Geiger) A	+\$378
Price Category (Geiger) C	+\$606
Price Category D	+\$802
Price Category (Geiger) D	+\$802
Price Category (Geiger) E	+\$972
Price Category (Geiger) F	+\$1168
Price Category (Geiger) G	+\$1590
Price Category (Geiger) H	+\$1978
Price Category (Geiger) I	+\$2389
Price Category (Geiger) J	+\$2801
Price Category (Geiger) K	+\$3212
Price Category (Geiger) L	+\$3624

Price Category (Geiger) M	+\$4036
Price Category (Geiger) N	+\$4447
Price Category (Geiger) O	+\$4859
Price Category (Geiger) P	+\$5260
Price Category (Geiger) Q	+\$6072
Price Category (Geiger) R	+\$8461
Price Category (Geiger) V	+\$10976
Price Category (Geiger) Z	+\$13498
Price Category (Geiger) COL A	+\$799
Price Category (Geiger) COM A	+\$0

For arm left, armless right (AL) with not quilted (N)

Price Category 1	+\$0
Price Category (Geiger) 1	+\$410
Price Category 2	+\$494
Price Category (Geiger) 2	+\$494
Price Category 3	+\$622
Price Category (Geiger) 3	+\$622
Price Category 4	+\$757
Price Category (Geiger) 4	+\$757
Price Category 5	+\$1104
Price Category (Geiger) 5	+\$1104
Price Category (Geiger) 6	+\$1451
Price Category (Geiger) 7	+\$1798
Price Category (Geiger) 8	+\$2753
Price Category 9	+\$3415
Price Category (Geiger) 9	+\$3415
Price Category (Geiger) 10	+\$3930
Price Category (Geiger) 11	+\$4403
Price Category 14	+\$5770
Price Category (Geiger) A	+\$348
Price Category (Geiger) C	+\$558
Price Category (Geiger) D	+\$736
Price Category (Geiger) E	+\$894
Price Category F	+\$1073
Price Category (Geiger) F	+\$1073
Price Category G	+\$1462
Price Category (Geiger) G	+\$1462
Price Category (Geiger) H	+\$1819
Price Category (Geiger) I	+\$2197
Price Category (Geiger) J	+\$2575
Price Category (Geiger) K	+\$2953
Price Category (Geiger) L	+\$3331
Price Category (Geiger) M	+\$3710
Price Category (Geiger) N	+\$4088
Price Category (Geiger) O	+\$4466
Price Category (Geiger) P	+\$4834

Tuxedo Component Lounge™ Settee

continued

Price Category (Geiger) Q	+\$5580	Price Category (Geiger) V	+\$10086
Price Category (Geiger) R	+\$7775	Price Category (Geiger) X	+\$11242
Price Category (Geiger) V	+\$10086	Price Category (Geiger) Y	+\$11820
Price Category (Geiger) X	+\$11242	Price Category (Geiger) Z	+\$12403
Price Category (Geiger) Y	+\$11820	Price Category (Geiger) COL A	+\$734
Price Category (Geiger) Z	+\$12403	Price Category (Geiger) COM A	+\$0
Price Category (Geiger) COL A	+\$734		
Price Category (Geiger) COM A	+\$0		
<hr/>			
<i>For arm right, armless left (AR) with not quilted (N)</i>			
Price Category 1	+\$0		
Price Category (Geiger) 1	+\$410		
Price Category 2	+\$494		
Price Category (Geiger) 2	+\$494		
Price Category 3	+\$622		
Price Category (Geiger) 3	+\$622		
Price Category 4	+\$757		
Price Category (Geiger) 4	+\$757		
Price Category 5	+\$1104		
Price Category (Geiger) 5	+\$1104		
Price Category 6	+\$1451		
Price Category (Geiger) 6	+\$1451		
Price Category 7	+\$1798		
Price Category (Geiger) 7	+\$1798		
Price Category 8	+\$2753		
Price Category (Geiger) 8	+\$2753		
Price Category 9	+\$3415		
Price Category (Geiger) 9	+\$3415		
Price Category 10	+\$3930		
Price Category (Geiger) 10	+\$3930		
Price Category 11	+\$4403		
Price Category (Geiger) 11	+\$4403		
Price Category 14	+\$5770		
Price Category (Geiger) 14	+\$5770		
Price Category (Geiger) A	+\$348		
Price Category (Geiger) C	+\$558		
Price Category (Geiger) D	+\$736		
Price Category (Geiger) E	+\$894		
Price Category F	+\$1073		
Price Category (Geiger) F	+\$1073		
Price Category G	+\$1462		
Price Category (Geiger) G	+\$1462		
Price Category (Geiger) H	+\$1819		
Price Category (Geiger) I	+\$2197		
Price Category (Geiger) J	+\$2575		
Price Category (Geiger) K	+\$2953		
Price Category (Geiger) L	+\$3331		
Price Category (Geiger) M	+\$3710		
Price Category (Geiger) N	+\$4088		
Price Category (Geiger) O	+\$4466		
Price Category (Geiger) P	+\$4834		
Price Category (Geiger) Q	+\$5580		
Price Category (Geiger) R	+\$7775		
Price Category (Geiger) V	+\$10086		
Price Category (Geiger) X	+\$11242		
Price Category (Geiger) Y	+\$11820		
Price Category (Geiger) Z	+\$12403		

For arm left, armless right (AL) with quilted (Q)

Price Category 1	+\$0
Price Category (Geiger) 1	+\$410
Price Category 2	+\$494
Price Category (Geiger) 2	+\$494
Price Category 3	+\$622
Price Category (Geiger) 3	+\$622
Price Category 4	+\$757
Price Category (Geiger) 4	+\$757
Price Category 5	+\$1104
Price Category (Geiger) 5	+\$1104
Price Category 6	+\$1451
Price Category (Geiger) 6	+\$1451
Price Category 7	+\$1798
Price Category (Geiger) 7	+\$1798
Price Category 8	+\$2753
Price Category (Geiger) 8	+\$2753
Price Category 9	+\$3415
Price Category (Geiger) 9	+\$3415
Price Category 10	+\$3930
Price Category (Geiger) 10	+\$3930
Price Category 11	+\$4403
Price Category (Geiger) 11	+\$4403
Price Category 14	+\$5770
Price Category (Geiger) 14	+\$5770
Price Category (Geiger) A	+\$348
Price Category (Geiger) C	+\$558
Price Category (Geiger) D	+\$736
Price Category (Geiger) E	+\$894
Price Category F	+\$1073
Price Category (Geiger) F	+\$1073
Price Category G	+\$1462
Price Category (Geiger) G	+\$1462
Price Category (Geiger) H	+\$1819
Price Category (Geiger) I	+\$2197
Price Category (Geiger) J	+\$2575
Price Category (Geiger) K	+\$2953
Price Category (Geiger) L	+\$3331
Price Category (Geiger) M	+\$3710
Price Category (Geiger) N	+\$4088
Price Category (Geiger) O	+\$4466
Price Category (Geiger) P	+\$4834
Price Category (Geiger) Q	+\$5580
Price Category (Geiger) R	+\$7775
Price Category (Geiger) V	+\$10086
Price Category (Geiger) X	+\$11242
Price Category (Geiger) Y	+\$11820
Price Category (Geiger) Z	+\$12403

Tuxedo Component Lounge™ Settee

continued

HermanMiller Ancillary—Sofas

Price Category (Geiger) COL <input type="checkbox"/>	+\$734
Price Category (Geiger) COM <input type="checkbox"/>	+\$0

For arm right, armless left (AR) with quilted (Q)

Price Category 1	+\$0
Price Category (Geiger) 1	+\$410
Price Category 2	+\$494
Price Category (Geiger) 2	+\$494
Price Category 3	+\$622
Price Category (Geiger) 3	+\$622
Price Category 4	+\$757
Price Category (Geiger) 4	+\$757
Price Category 5	+\$1104
Price Category (Geiger) 5	+\$1104
Price Category (Geiger) 6	+\$1451
Price Category (Geiger) 7	+\$1798
Price Category (Geiger) 8	+\$2753
Price Category 9	+\$3415
Price Category (Geiger) 9	+\$3415
Price Category (Geiger) 10	+\$3930
Price Category (Geiger) 11	+\$4403
Price Category 14	+\$5770
Price Category (Geiger) A	+\$348
Price Category (Geiger) C	+\$558
Price Category (Geiger) D	+\$736
Price Category (Geiger) E	+\$894
Price Category F	+\$1073
Price Category (Geiger) F	+\$1073
Price Category G	+\$1462
Price Category (Geiger) G	+\$1462
Price Category (Geiger) H	+\$1819
Price Category (Geiger) I	+\$2197
Price Category (Geiger) J	+\$2575
Price Category (Geiger) K	+\$2953
Price Category (Geiger) L	+\$3331
Price Category (Geiger) M	+\$3710
Price Category (Geiger) N	+\$4088
Price Category (Geiger) O	+\$4466
Price Category (Geiger) P	+\$4834
Price Category (Geiger) Q	+\$5580
Price Category (Geiger) R	+\$7775
Price Category (Geiger) V	+\$10086
Price Category (Geiger) Z	+\$12403
Price Category (Geiger) COL <input type="checkbox"/>	+\$734
Price Category (Geiger) COM <input type="checkbox"/>	+\$0

Step 5. Base Finish

926 black <input type="checkbox"/>	+\$0
AS arctic silver <input type="checkbox"/>	+\$0
WHT white <input type="checkbox"/>	+\$0
CHR chrome <input type="checkbox"/>	+\$671
SAC satin chrome <input type="checkbox"/>	+\$671

Step 6. Fire Retardancy

For no arms (N)

NOCAL not fire retardant <input type="checkbox"/>	+\$0
----------------------------------------------------------	------

For arms (A)

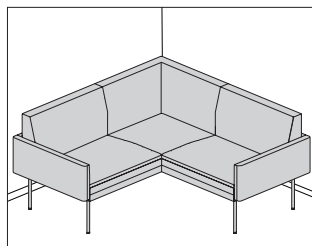
NOCAL not fire retardant <input type="checkbox"/>	+\$0
----------------------------------------------------------	------

For arm left, armless right (AL) or arm right, armless left (AR)

NOCAL not fire retardant <input type="checkbox"/>	+\$0
----------------------------------------------------------	------

Tuxedo Component Lounge™ Settee
Corner

ST2CL
ST2CR



Product Information

Description

This corner settee has a foam and Dacron® seat with a painted or plated steel base.

Notes

Customer's Own Material (COM)/Customer's Own Leather (COL) requires the following:

Type—COM—COL

ST2CLNN/ST2CRNN—9¼ yards—166½ square feet

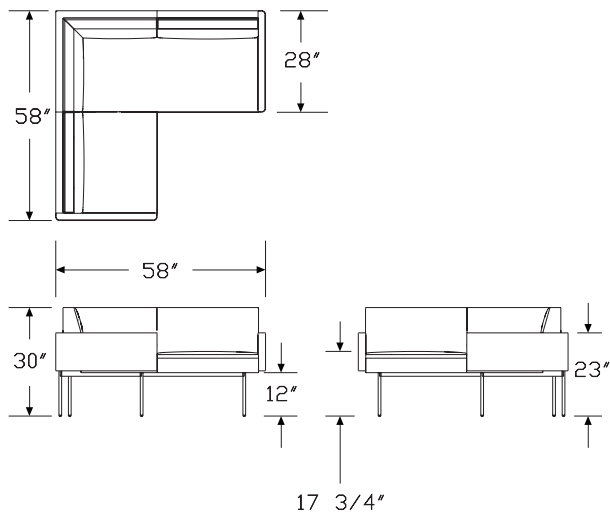
ST2CLNQ/ST2CRNQ—9¼ yards—166½ square feet

ST2CLAN/ST2CRAN—10¼ yards—184½ square feet

ST2CLAQ/ST2CRAQ—10¼ yards—184½ square feet

See Order Information in Appendices for more information.

Dimensions



Specification Information

Step 1.

ST2C A

Step 2. Corner

L corner left A

R corner right A

Step 3. Arms

N no arms A

A arms A

Step 4. Upholstery Type

N not quilted A

Q quilted A

Prices for Steps 1-4.

		N	Q
ST2CL	N	\$6373	6488
	A	\$6644	6938
ST2CR	N	\$6373	6488
	A	\$6644	6938

Step 5. Upholstery

For no arms (N) with not quilted (N)

Price Category 1	+\$0
Price Category (Geiger) 1	+\$362
Price Category 2	+\$437
Price Category (Geiger) 2	+\$437
Price Category 3	+\$548
Price Category (Geiger) 3	+\$548
Price Category 4	+\$668
Price Category (Geiger) 4	+\$668
Price Category 5	+\$974
Price Category (Geiger) 5	+\$974
Price Category (Geiger) 6	+\$1280
Price Category (Geiger) 7	+\$1586
Price Category (Geiger) 8	+\$2429
Price Category 9	+\$3014
Price Category (Geiger) 9	+\$3014
Price Category (Geiger) 10	+\$3468
Price Category (Geiger) 11	+\$3886
Price Category 14	+\$5090
Price Category (Geiger) A	+\$307
Price Category (Geiger) C	+\$492

Tuxedo Component Lounge™ Settee
Corner *continued*

HermanMiller Ancillary—Sofas

Price Category D	+\$649
Price Category (Geiger) D	+\$649
Price Category (Geiger) E	+\$790
Price Category F	+\$946
Price Category (Geiger) F	+\$946
Price Category G	+\$1290
Price Category (Geiger) G	+\$1290
Price Category (Geiger) H	+\$1604
Price Category I	+\$1939
Price Category (Geiger) I	+\$1939
Price Category (Geiger) J	+\$2273
Price Category (Geiger) K	+\$2606
Price Category (Geiger) L	+\$2940
Price Category (Geiger) M	+\$3274
Price Category (Geiger) N	+\$3607
Price Category (Geiger) O	+\$3941
Price Category (Geiger) P	+\$4265
Price Category (Geiger) Q	+\$4924
Price Category (Geiger) R	+\$6860
Price Category (Geiger) V	+\$8899
Price Category (Geiger) X	+\$9919
Price Category (Geiger) Y	+\$10430
Price Category (Geiger) Z	+\$10944
Price Category (Geiger) COL A	+\$648
Price Category (Geiger) COM A	+\$0

For no arms (N) with quilted (Q)

Price Category 1	+\$0
Price Category (Geiger) 1	+\$362
Price Category 2	+\$437
Price Category (Geiger) 2	+\$437
Price Category 3	+\$548
Price Category (Geiger) 3	+\$548
Price Category 4	+\$668
Price Category (Geiger) 4	+\$668
Price Category 5	+\$974
Price Category (Geiger) 5	+\$974
Price Category (Geiger) 6	+\$1280
Price Category (Geiger) 7	+\$1586
Price Category (Geiger) 8	+\$2429
Price Category 9	+\$3014
Price Category (Geiger) 9	+\$3014
Price Category (Geiger) 10	+\$3468
Price Category (Geiger) 11	+\$3886
Price Category 14	+\$5090
Price Category (Geiger) A	+\$307
Price Category (Geiger) C	+\$492

Price Category D	+\$649
Price Category (Geiger) D	+\$649
Price Category (Geiger) E	+\$790
Price Category F	+\$946
Price Category (Geiger) F	+\$946
Price Category G	+\$1290
Price Category (Geiger) G	+\$1290
Price Category (Geiger) H	+\$1604
Price Category I	+\$1939
Price Category (Geiger) I	+\$1939
Price Category (Geiger) J	+\$2273
Price Category (Geiger) K	+\$2606
Price Category (Geiger) L	+\$2940
Price Category (Geiger) M	+\$3274
Price Category (Geiger) N	+\$3607
Price Category (Geiger) O	+\$3941
Price Category (Geiger) P	+\$4265
Price Category (Geiger) Q	+\$4924
Price Category (Geiger) R	+\$6860
Price Category (Geiger) V	+\$8899
Price Category (Geiger) Z	+\$10944
Price Category (Geiger) COL A	+\$648
Price Category (Geiger) COM A	+\$0

For arms (A) with not quilted (N)

Price Category 1	+\$0
Price Category (Geiger) 1	+\$446
Price Category 2	+\$539
Price Category (Geiger) 2	+\$539
Price Category 3	+\$676
Price Category (Geiger) 3	+\$676
Price Category 4	+\$823
Price Category (Geiger) 4	+\$823
Price Category 5	+\$1201
Price Category (Geiger) 5	+\$1201
Price Category (Geiger) 6	+\$1579
Price Category (Geiger) 7	+\$1956
Price Category (Geiger) 8	+\$2996
Price Category 9	+\$3716
Price Category (Geiger) 9	+\$3716
Price Category (Geiger) 10	+\$4277
Price Category (Geiger) 11	+\$4792
Price Category 14	+\$6277
Price Category (Geiger) A	+\$378
Price Category (Geiger) C	+\$606
Price Category D	+\$802
Price Category (Geiger) D	+\$802

Tuxedo Component Lounge™ Settee
Corner *continued*

Price Category (Geiger) E	+\$972
Price Category F	+\$946
Price Category (Geiger) F	+\$1168
Price Category G	+\$1590
Price Category (Geiger) G	+\$1590
Price Category H	+\$1920
Price Category (Geiger) H	+\$1978
Price Category I	+\$2389
Price Category (Geiger) I	+\$2389
Price Category (Geiger) J	+\$2801
Price Category (Geiger) K	+\$3212
Price Category (Geiger) L	+\$3624
Price Category (Geiger) M	+\$4036
Price Category (Geiger) N	+\$4447
Price Category (Geiger) O	+\$4859
Price Category (Geiger) P	+\$5260
Price Category (Geiger) Q	+\$6072
Price Category (Geiger) R	+\$8461
Price Category (Geiger) V	+\$10976
Price Category (Geiger) X	+\$12234
Price Category (Geiger) Y	+\$12863
Price Category (Geiger) Z	+\$13498
Price Category (Geiger) COL <input type="checkbox"/>	+\$799
Price Category (Geiger) COM <input type="checkbox"/>	+\$0

For arms (A) with quilted (Q)

Price Category 1	+\$0
Price Category (Geiger) 1	+\$446
Price Category 2	+\$539
Price Category (Geiger) 2	+\$539
Price Category 3	+\$676
Price Category (Geiger) 3	+\$676
Price Category 4	+\$823
Price Category (Geiger) 4	+\$823
Price Category 5	+\$1201
Price Category (Geiger) 5	+\$1201
Price Category (Geiger) 6	+\$1579
Price Category (Geiger) 7	+\$1956
Price Category (Geiger) 8	+\$2996
Price Category 9	+\$3716
Price Category (Geiger) 9	+\$3716
Price Category (Geiger) 10	+\$4277
Price Category (Geiger) 11	+\$4792
Price Category 14	+\$6277
Price Category (Geiger) A	+\$378
Price Category (Geiger) C	+\$606
Price Category D	+\$802

Price Category (Geiger) D	+\$802
Price Category (Geiger) E	+\$972
Price Category F	+\$946
Price Category (Geiger) F	+\$1168
Price Category G	+\$1590
Price Category (Geiger) G	+\$1590
Price Category (Geiger) H	+\$1978
Price Category I	+\$2389
Price Category (Geiger) I	+\$2389
Price Category (Geiger) J	+\$2801
Price Category (Geiger) K	+\$3212
Price Category (Geiger) L	+\$3624
Price Category (Geiger) M	+\$4036
Price Category (Geiger) N	+\$4447
Price Category (Geiger) O	+\$4859
Price Category (Geiger) P	+\$5260
Price Category (Geiger) Q	+\$6072
Price Category (Geiger) R	+\$8461
Price Category (Geiger) V	+\$10976
Price Category (Geiger) Z	+\$13498
Price Category (Geiger) COL <input type="checkbox"/>	+\$799
Price Category (Geiger) COM <input type="checkbox"/>	+\$0

Step 6. Base Finish

926 black <input type="checkbox"/>	+\$0
AS arctic silver <input type="checkbox"/>	+\$0
WHT white <input type="checkbox"/>	+\$0
CHR chrome <input type="checkbox"/>	+\$671
SAC satin chrome <input type="checkbox"/>	+\$671

Step 7. Fire Retardancy

For arms (A)

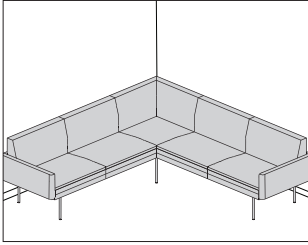
NOCAL not fire retardant <input type="checkbox"/>	+\$0
----------------------------------------------------------	------

For no arms (N)

NOCAL not fire retardant <input type="checkbox"/>	+\$0
----------------------------------------------------------	------

Tuxedo Component Lounge™ Sofa
Corner

ST3CL
ST3CR



Product Information

Description

This corner sofa has a foam and Dacron® seat with a painted or plated steel base.

Notes

Customer's Own Material (COM)/Customer's Own Leather (COL) requires the following:

Type—COM—COL

ST3CLNN/ST3CRNN—13 yards—234 square feet

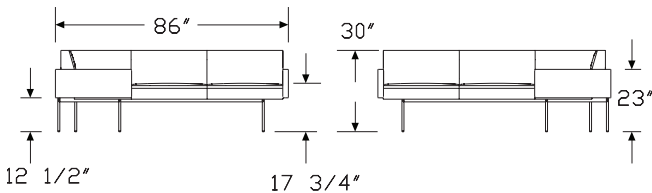
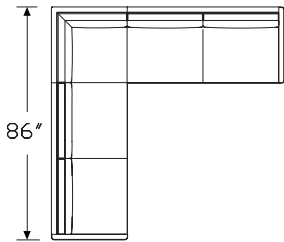
ST3CLNQ/ST3CRNQ—13 yards—234 square feet

ST3CLAN/ST3CRAN—14 yards—252 square feet

ST3CLAQ/ST3CRAQ—14 yards—252 square feet

See Order Information in Appendices for more information.

Dimensions



Specification Information

Step 1.

ST3C A

Step 2. Corner

L corner left A

R corner right A

Step 3. Arms

N no arms A

A arms A

Step 4. Upholstery Type

N not quilted A

Q quilted A

Prices for Steps 1-4.

		N	Q
ST3CL	N	\$8438	8539
	A	\$8739	8984
ST3CR	N	\$8438	8539
	A	\$8739	8984

Step 5. Upholstery

For no arms (N) with not quilted (N)

Price Category 1	+\$0
Price Category (Geiger) 1	+\$628
Price Category 2	+\$756
Price Category (Geiger) 2	+\$756
Price Category 3	+\$949
Price Category (Geiger) 3	+\$949
Price Category 4	+\$1158
Price Category (Geiger) 4	+\$1158
Price Category 5	+\$1687
Price Category (Geiger) 5	+\$1687
Price Category (Geiger) 6	+\$2218
Price Category (Geiger) 7	+\$2748
Price Category (Geiger) 8	+\$4211
Price Category 9	+\$5222
Price Category (Geiger) 9	+\$5222
Price Category (Geiger) 10	+\$6010
Price Category 11	+\$6733
Price Category (Geiger) 11	+\$6733
Price Category 14	+\$8822
Price Category (Geiger) A	+\$530

Tuxedo Component Lounge™ Sofa
 Corner *continued*

Price Category (Geiger) C	+\$852
Price Category (Geiger) D	+\$1126
Price Category (Geiger) E	+\$1367
Price Category F	+\$1639
Price Category (Geiger) F	+\$1639
Price Category G	+\$2168
Price Category (Geiger) G	+\$2234
Price Category (Geiger) H	+\$2780
Price Category I	+\$3359
Price Category (Geiger) I	+\$3359
Price Category (Geiger) J	+\$3937
Price Category (Geiger) K	+\$4516
Price Category (Geiger) L	+\$5094
Price Category (Geiger) M	+\$5672
Price Category (Geiger) N	+\$6251
Price Category (Geiger) O	+\$6829
Price Category (Geiger) P	+\$7392
Price Category (Geiger) Q	+\$8533
Price Category (Geiger) R	+\$11891
Price Category (Geiger) V	+\$15426
Price Category (Geiger) X	+\$17194
Price Category (Geiger) Y	+\$18077
Price Category (Geiger) Z	+\$18970
Price Category (Geiger) COL A	+\$1123
Price Category (Geiger) COM A	+\$0

For no arms (N) with quilted (Q)

Price Category 1	+\$0
Price Category (Geiger) 1	+\$628
Price Category 2	+\$756
Price Category (Geiger) 2	+\$756
Price Category 3	+\$949
Price Category (Geiger) 3	+\$949
Price Category 4	+\$1158
Price Category (Geiger) 4	+\$1158
Price Category 5	+\$1687
Price Category (Geiger) 5	+\$1687
Price Category (Geiger) 6	+\$2218
Price Category (Geiger) 7	+\$2748
Price Category (Geiger) 8	+\$4211
Price Category 9	+\$5222
Price Category (Geiger) 9	+\$5222
Price Category (Geiger) 10	+\$6010
Price Category 11	+\$6733
Price Category (Geiger) 11	+\$6733
Price Category 14	+\$8822
Price Category (Geiger) A	+\$530

Price Category (Geiger) C	+\$852
Price Category (Geiger) D	+\$1126
Price Category (Geiger) E	+\$1367
Price Category F	+\$1639
Price Category (Geiger) F	+\$1639
Price Category G	+\$2168
Price Category (Geiger) G	+\$2234
Price Category (Geiger) H	+\$2780
Price Category I	+\$3359
Price Category (Geiger) I	+\$3359
Price Category (Geiger) J	+\$3937
Price Category (Geiger) K	+\$4516
Price Category (Geiger) L	+\$5094
Price Category (Geiger) M	+\$5672
Price Category (Geiger) N	+\$6251
Price Category (Geiger) O	+\$6829
Price Category (Geiger) P	+\$7392
Price Category (Geiger) Q	+\$8533
Price Category (Geiger) R	+\$11891
Price Category (Geiger) V	+\$15426
Price Category (Geiger) Z	+\$18970
Price Category (Geiger) COL A	+\$1123
Price Category (Geiger) COM A	+\$0

For arms (A) with not quilted (N)

Price Category 1	+\$0
Price Category (Geiger) 1	+\$676
Price Category 2	+\$814
Price Category (Geiger) 2	+\$814
Price Category 3	+\$1021
Price Category (Geiger) 3	+\$1021
Price Category 4	+\$1247
Price Category (Geiger) 4	+\$1247
Price Category 5	+\$1818
Price Category (Geiger) 5	+\$1818
Price Category (Geiger) 6	+\$2388
Price Category (Geiger) 7	+\$2959
Price Category (Geiger) 8	+\$4535
Price Category 9	+\$5624
Price Category (Geiger) 9	+\$5624
Price Category (Geiger) 10	+\$6473
Price Category 11	+\$7250
Price Category (Geiger) 11	+\$7250
Price Category 14	+\$9500
Price Category (Geiger) A	+\$571
Price Category (Geiger) C	+\$918
Price Category (Geiger) E	+\$1471

Tuxedo Component Lounge™ Sofa
 Corner *continued*

HermanMiller Ancillary—Sofas

Price Category F	+\$1765
Price Category (Geiger) F	+\$1765
Price Category G	+\$2335
Price Category (Geiger) G	+\$2406
Price Category (Geiger) H	+\$2994
Price Category I	+\$3617
Price Category (Geiger) I	+\$3617
Price Category (Geiger) J	+\$4240
Price Category (Geiger) K	+\$4864
Price Category (Geiger) L	+\$5486
Price Category (Geiger) M	+\$6109
Price Category (Geiger) N	+\$6732
Price Category (Geiger) O	+\$7355
Price Category (Geiger) P	+\$7961
Price Category (Geiger) Q	+\$9190
Price Category (Geiger) R	+\$12805
Price Category (Geiger) V	+\$16613
Price Category (Geiger) X	+\$18516
Price Category (Geiger) Y	+\$19468
Price Category (Geiger) Z	+\$20429
Price Category (Geiger) COL <input type="checkbox"/>	+\$1210
Price Category (Geiger) COM <input type="checkbox"/>	+\$0

For arms (A) with quilted (Q)

Price Category 1	+\$0
Price Category (Geiger) 1	+\$676
Price Category 2	+\$814
Price Category (Geiger) 2	+\$814
Price Category 3	+\$1021
Price Category (Geiger) 3	+\$1021
Price Category 4	+\$1247
Price Category (Geiger) 4	+\$1247
Price Category 5	+\$1818
Price Category (Geiger) 5	+\$1818
Price Category (Geiger) 6	+\$2388
Price Category (Geiger) 7	+\$2959
Price Category (Geiger) 8	+\$4535
Price Category 9	+\$5624
Price Category (Geiger) 9	+\$5624
Price Category (Geiger) 10	+\$6473
Price Category 11	+\$7250
Price Category (Geiger) 11	+\$7250
Price Category 14	+\$9500
Price Category (Geiger) A	+\$571
Price Category (Geiger) C	+\$918
Price Category (Geiger) D	+\$1212
Price Category (Geiger) E	+\$1471

Price Category F	+\$1765
Price Category (Geiger) F	+\$1765
Price Category G	+\$2335
Price Category (Geiger) G	+\$2406
Price Category (Geiger) H	+\$2994
Price Category I	+\$3617
Price Category (Geiger) I	+\$3617
Price Category (Geiger) J	+\$4240
Price Category (Geiger) K	+\$4864
Price Category (Geiger) L	+\$5486
Price Category (Geiger) M	+\$6109
Price Category (Geiger) N	+\$6732
Price Category (Geiger) O	+\$7355
Price Category (Geiger) P	+\$7961
Price Category (Geiger) Q	+\$9190
Price Category (Geiger) R	+\$12805
Price Category (Geiger) V	+\$16613
Price Category (Geiger) Z	+\$20429
Price Category (Geiger) COL <input type="checkbox"/>	+\$1210
Price Category (Geiger) COM <input type="checkbox"/>	+\$0

Step 6. Base Finish

926 black <input type="checkbox"/>	+\$0
AS arctic silver <input type="checkbox"/>	+\$0
WHT white <input type="checkbox"/>	+\$0
CHR chrome <input type="checkbox"/>	+\$671
SAC satin chrome <input type="checkbox"/>	+\$671

Step 7. Fire Retardancy

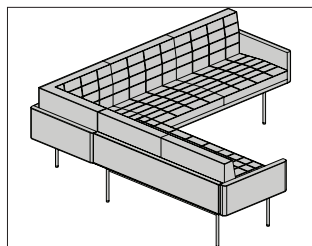
For arms (A)

NOCAL not fire retardant <input type="checkbox"/>	+\$0
----------------------------------------------------------	------

For no arms (N)

NOCAL not fire retardant <input type="checkbox"/>	+\$0
----------------------------------------------------------	------

Tuxedo Component Lounge™ Corner Sofa with Attached Settee **ST2MN**
ST2MQ



Product Information

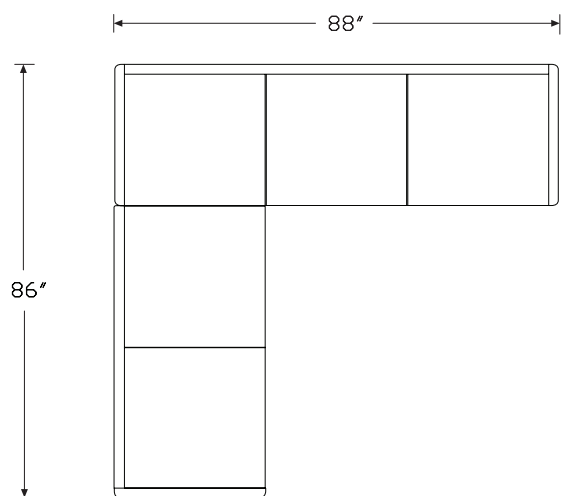
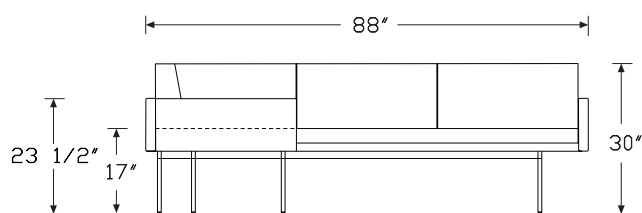
Description

This corner sofa with attached settee has a foam and Dacron® seat with a painted or plated steel base.

Notes

COM/COL requires 25¼ yards/450 square feet.

Dimensions



Shown above - Corner sofa left, settee right (R)

Specification Information

Step 1.

ST2M A

Step 2. Upholstery Type

N- not quilted A

Q- quilted A

Step 3. Settee Position

L corner sofa right, settee left A

R corner sofa left, settee right A

Prices for Steps 1-3.

ST2MN- L	\$14444
R	\$14444
ST2MQ- L	\$14875
R	\$14875

Step 4. Upholstery

For not quilted (N-)

Price Category 1	+\$0
Price Category (Geiger) 1	+\$0
Price Category 2	+\$1308
Price Category (Geiger) 2	+\$1308
Price Category 3	+\$1642
Price Category (Geiger) 3	+\$1642
Price Category 4	+\$2003
Price Category (Geiger) 4	+\$2003
Price Category 5	+\$2921
Price Category (Geiger) 5	+\$2921
Price Category (Geiger) 6	+\$3839
Price Category (Geiger) 7	+\$4757
Price Category (Geiger) 8	+\$7286
Price Category 9	+\$9040
Price Category (Geiger) 9	+\$9040
Price Category (Geiger) 10	+\$10402
Price Category (Geiger) 11	+\$11653
Price Category (Geiger) 14	+\$15269
Price Category (Geiger) A	+\$1531
Price Category (Geiger) C	+\$1808
Price Category D	+\$2087
Price Category (Geiger) D	+\$2087
Price Category (Geiger) E	+\$2365
Price Category F	+\$2644
Price Category (Geiger) F	+\$2644

Tuxedo Component Lounge™ Corner
Sofa with Attached Settee *continued*

HermanMiller Ancillary--Sofas

Price Category G	+\$2921
Price Category (Geiger) G	+\$2921
Price Category (Geiger) H	+\$3199
Price Category (Geiger) I	+\$5814
Price Category (Geiger) J	+\$3616
Price Category (Geiger) K	+\$4033
Price Category (Geiger) L	+\$4450
Price Category (Geiger) M	+\$5006
Price Category (Geiger) N	+\$5562
Price Category (Geiger) O	+\$11820
Price Category (Geiger) P	+\$6119
Price Category (Geiger) Q	+\$12515
Price Category (Geiger) R	+\$20580
Price Category (Geiger) V	+\$26698
Price Category (Geiger) X	+\$29758
Price Category (Geiger) Y	+\$31288
Price Category (Geiger) Z	+\$24077
Price Category (Geiger) COL <input type="checkbox"/>	+\$2430
Price Category (Geiger) COM <input type="checkbox"/>	+\$0

For quilted (Q-)

Price Category 1	+\$0
Price Category (Geiger) 1	+\$0
Price Category 2	+\$1308
Price Category (Geiger) 2	+\$1308
Price Category 3	+\$1642
Price Category (Geiger) 3	+\$1642
Price Category 4	+\$2003
Price Category (Geiger) 4	+\$2003
Price Category 5	+\$2921
Price Category (Geiger) 5	+\$2921
Price Category (Geiger) 6	+\$3839
Price Category (Geiger) 7	+\$4757
Price Category (Geiger) 8	+\$7286
Price Category 9	+\$9040
Price Category (Geiger) 9	+\$9040
Price Category (Geiger) 10	+\$10402
Price Category (Geiger) 11	+\$11653
Price Category (Geiger) 14	+\$15269
Price Category (Geiger) A	+\$1531
Price Category (Geiger) C	+\$1808
Price Category D	+\$2087
Price Category (Geiger) D	+\$2087
Price Category (Geiger) E	+\$2365
Price Category F	+\$2644
Price Category (Geiger) F	+\$2644
Price Category G	+\$2921

Price Category (Geiger) G	+\$2921
Price Category (Geiger) H	+\$3199
Price Category (Geiger) I	+\$5814
Price Category (Geiger) J	+\$3616
Price Category (Geiger) K	+\$4033
Price Category (Geiger) L	+\$4450
Price Category (Geiger) M	+\$5006
Price Category (Geiger) N	+\$5562
Price Category (Geiger) O	+\$11820
Price Category (Geiger) P	+\$6119
Price Category (Geiger) Q	+\$12515
Price Category (Geiger) R	+\$20580
Price Category (Geiger) V	+\$26698
Price Category (Geiger) Z	+\$24077
Price Category (Geiger) COL <input type="checkbox"/>	+\$2430
Price Category (Geiger) COM <input type="checkbox"/>	+\$0

Step 5. Base Finish

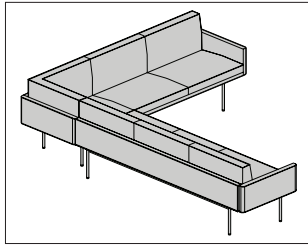
926 black <input type="checkbox"/>	+\$0
AS arctic silver <input type="checkbox"/>	+\$0
WHT white <input type="checkbox"/>	+\$0
CHR chrome <input type="checkbox"/>	+\$1342
SAC satin chrome <input type="checkbox"/>	+\$1342

Step 6. Fire Retardancy

NOCAL not fire retardant <input type="checkbox"/>	+\$0
----------------------------------------------------------	------

Tuxedo Component Lounge™ Corner
Sofa with Attached Sofa

ST3MN
ST3MQ



Product Information

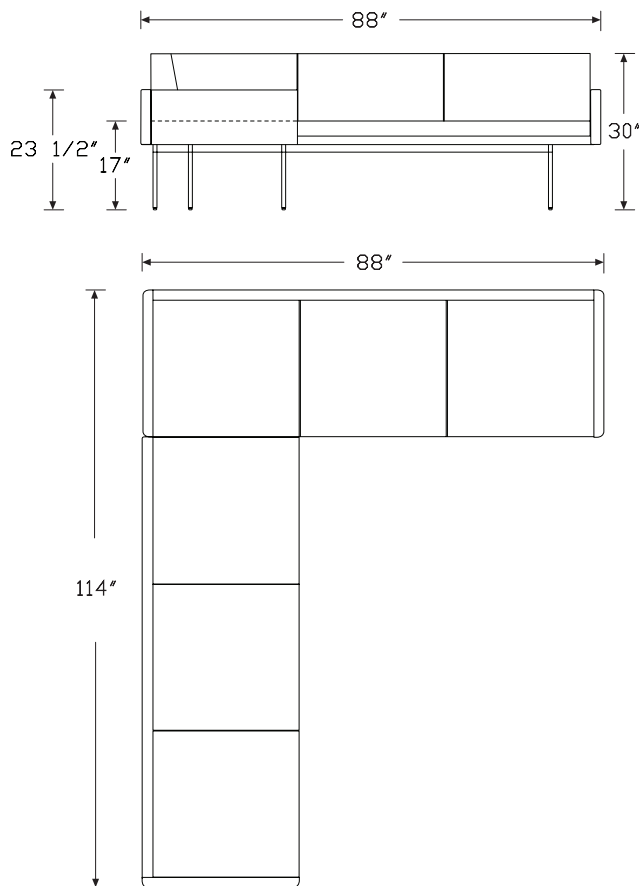
Description

This corner sofa with attached sofa has a foam and Dacron® seat with a painted or plated steel base.

Notes

COM/COL requires 28½ yards/513 square feet.

Dimensions



Shown above - Corner sofa left,
sofa right (R)

Specification Information

Step 1.

ST3M A

Step 2. Upholstery Type

N- not quilted A

Q- quilted A

Step 3. Sofa Position

L corner sofa right, sofa left A

R corner sofa left, sofa right A

Prices for Steps 1-3.

ST3MN- L	\$16634
R	\$16634
ST3MQ- L	\$17125
R	\$17125

Step 4. Upholstery

For quilted (Q-)

Price Category 1	+\$0
Price Category (Geiger) 1	+\$0
Price Category 2	+\$1526
Price Category (Geiger) 2	+\$1526
Price Category 3	+\$1897
Price Category (Geiger) 3	+\$1897
Price Category 4	+\$2315
Price Category (Geiger) 4	+\$2315
Price Category 5	+\$3374
Price Category (Geiger) 5	+\$3374
Price Category (Geiger) 6	+\$4435
Price Category (Geiger) 7	+\$5496
Price Category (Geiger) 8	+\$8420
Price Category 9	+\$10445
Price Category (Geiger) 9	+\$10445
Price Category (Geiger) 10	+\$12019
Price Category (Geiger) 11	+\$13465
Price Category (Geiger) 14	+\$17610
Price Category (Geiger) A	+\$1768
Price Category (Geiger) C	+\$2089
Price Category D	+\$2411
Price Category (Geiger) D	+\$2411
Price Category (Geiger) E	+\$2732
Price Category F	+\$3054
Price Category (Geiger) F	+\$3054

HermanMiller Ancillary-Sofas

Tuxedo Component Lounge™ Corner
Sofa with Attached Sofa *continued*

HermanMiller Ancillary--Sofas

Price Category G	+\$3374
Price Category (Geiger) G	+\$3374
Price Category (Geiger) H	+\$3696
Price Category (Geiger) I	+\$6718
Price Category (Geiger) J	+\$4178
Price Category (Geiger) K	+\$4661
Price Category (Geiger) L	+\$5142
Price Category (Geiger) M	+\$5785
Price Category (Geiger) N	+\$6427
Price Category (Geiger) O	+\$13658
Price Category (Geiger) P	+\$7070
Price Category (Geiger) Q	+\$14461
Price Category (Geiger) R	+\$23782
Price Category (Geiger) V	+\$30851
Price Category (Geiger) Z	+\$28882
Price Category (Geiger) COL <input type="checkbox"/>	+\$2808
Price Category (Geiger) COM <input type="checkbox"/>	+\$0

For not quilted (N-)

Price Category 1	+\$0
Price Category (Geiger) 1	+\$0
Price Category 2	+\$1526
Price Category (Geiger) 2	+\$1526
Price Category 3	+\$1897
Price Category (Geiger) 3	+\$1897
Price Category 4	+\$2315
Price Category (Geiger) 4	+\$2315
Price Category 5	+\$3374
Price Category (Geiger) 5	+\$3374
Price Category 6	+\$4435
Price Category (Geiger) 6	+\$4435
Price Category 7	+\$5496
Price Category (Geiger) 7	+\$5496
Price Category 8	+\$8420
Price Category (Geiger) 8	+\$8420
Price Category 9	+\$10445
Price Category (Geiger) 9	+\$10445
Price Category 10	+\$12019
Price Category (Geiger) 10	+\$12019
Price Category 11	+\$13465
Price Category (Geiger) 11	+\$13465
Price Category 14	+\$17610
Price Category (Geiger) 14	+\$17610
Price Category (Geiger) A	+\$1768
Price Category (Geiger) C	+\$2089
Price Category D	+\$2411
Price Category (Geiger) D	+\$2411
Price Category (Geiger) E	+\$2732
Price Category F	+\$3054
Price Category (Geiger) F	+\$3054
Price Category G	+\$3374
Price Category (Geiger) G	+\$3374
Price Category (Geiger) H	+\$3696

Price Category (Geiger) I	+\$6718
Price Category (Geiger) J	+\$4178
Price Category (Geiger) K	+\$4661
Price Category (Geiger) L	+\$5142
Price Category (Geiger) M	+\$5785
Price Category (Geiger) N	+\$6427
Price Category (Geiger) O	+\$13658
Price Category (Geiger) P	+\$7070
Price Category (Geiger) Q	+\$14461
Price Category (Geiger) R	+\$23782
Price Category (Geiger) V	+\$30851
Price Category (Geiger) X	+\$34717
Price Category (Geiger) Y	+\$36500
Price Category (Geiger) Z	+\$28882
Price Category (Geiger) COL <input type="checkbox"/>	+\$2808
Price Category (Geiger) COM <input type="checkbox"/>	+\$0

Step 5. Base Finish

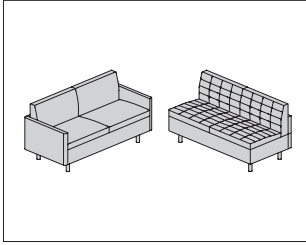
926 black <input type="checkbox"/>	+\$0
AS arctic silver <input type="checkbox"/>	+\$0
WHT white <input type="checkbox"/>	+\$0
CHR chrome <input type="checkbox"/>	+\$1342
SAC satin chrome <input type="checkbox"/>	+\$1342

Step 6. Fire Retardancy

NOCAL not fire retardant <input type="checkbox"/>	+\$0
----------------------------------------------------------	------

Tuxedo Classic Settee

SZ2AB
SZ2AL
SZ2AN
SZ2AR



Product Information

Description

This settee has solid wood legs with cushions made of polyfoam and DACRON®. Cushions are quilted or not quilted. The settee is available without arms, or with arms on either the left or right side, or on both sides.

Notes

For arm on right (AR) configuration, settee connects to adjacent seat on the left.

For arm on left (AL) configuration, settee connects to adjacent seat on the right.

For arms on left and right (AB), settee connects to adjacent seat on left and right.

Handedness is determined from a seated position.

Customer's Own Material (COM)/Customer's Own Leather (COL) requires the following:

Type—COM—COL

SZ2ANN—8 yards—144 square feet

SZ2ANQ—8 yards—144 square feet

SZ2ABN—10½ yards—189 square feet

SZ2ABQ—10½ yards—189 square feet

SZ2ALN—9¼ yards—166½ square feet

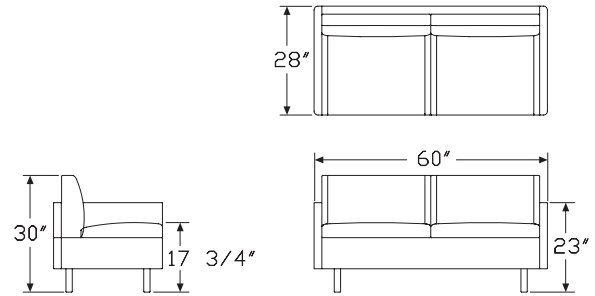
SZ2ALQ—9¼ yards—166½ square feet

SZ2ARN—9¼ yards—166½ square feet

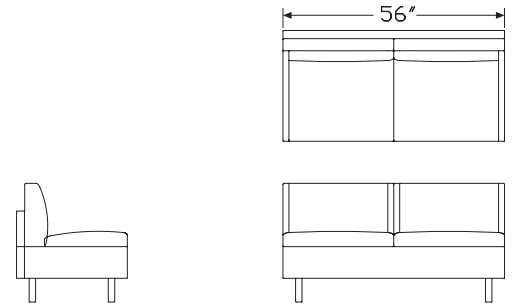
SZ2ARQ—9¼ yards—166½ square feet

See Order Information in Appendices for more information.

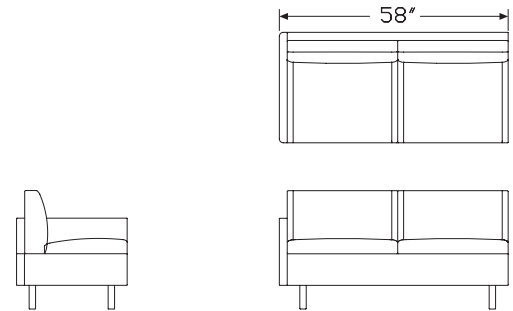
Dimensions



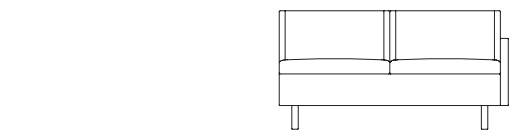
Settee



Connecting Settee - Armless



Connecting Settee - Arm Right



Connecting Settee - Arm Left

Specification Information

Step 1.

SZ2 A

Step 2. Arms

- AN** armless A
- AB** arms on left and right A
- AL** arm on left A
- AR** arm on right A

Step 3. Upholstery Type

- N** not quilted A
- Q** quilted A

Prices for Steps 1-3.

SZ2AN	N		\$4680
	Q		\$5062
<hr/>			
SZ2AB	N		\$5743
	Q		\$6120
<hr/>			
SZ2AL	N		\$5213
	Q		\$5586
<hr/>			
SZ2AR	N		\$5213
	Q		\$5586

Step 4. Fabric

For armless (AN) with not quilted (N)

Price Category (Geiger) 11	+\$4144
Price Category P	+\$3792
Price Category (Geiger) 1	+\$0
Price Category 1	+\$0
Price Category (Geiger) 2	+\$466
Price Category 2	+\$466
Price Category (Geiger) 3	+\$584
Price Category 3	+\$584
Price Category (Geiger) 4	+\$713
Price Category 4	+\$713
Price Category (Geiger) 5	+\$1039
Price Category 5	+\$1039
Price Category (Geiger) 6	+\$1366
Price Category (Geiger) 7	+\$1692
Price Category (Geiger) 8	+\$2591
Price Category (Geiger) 9	+\$3214
Price Category 9	+\$3214
Price Category (Geiger) 10	+\$3698
Price Category 14	+\$5434
Price Category (Geiger) D	+\$692
Price Category D	+\$672
Price Category (Geiger) E	+\$841
Price Category (Geiger) F	+\$1009
Price Category F	+\$1009
Price Category (Geiger) G	+\$1375
Price Category G	+\$1375
Price Category (Geiger) H	+\$1711
Price Category (Geiger) I	+\$2068
Price Category (Geiger) K	+\$2779
Price Category (Geiger) L	+\$3136
Price Category (Geiger) M	+\$3491
Price Category (Geiger) R	+\$7318
Price Category (Geiger) COM <input type="checkbox"/> A	+\$0
Price Category (Geiger) COL <input type="checkbox"/> A	+\$691

Tuxedo Classic Settee *continued*

For armless (AN) with quilted (Q)

Price Category (Geiger) 11	+\$4144
Price Category 1	+\$0
Price Category (Geiger) 1	+\$0
Price Category 2	+\$466
Price Category (Geiger) 2	+\$466
Price Category 3	+\$584
Price Category (Geiger) 3	+\$584
Price Category 4	+\$713
Price Category (Geiger) 4	+\$713
Price Category 5	+\$1039
Price Category (Geiger) 5	+\$1039
Price Category (Geiger) 6	+\$1366
Price Category (Geiger) 7	+\$1692
Price Category (Geiger) 8	+\$2591
Price Category 9	+\$3214
Price Category (Geiger) 9	+\$3214
Price Category (Geiger) 10	+\$3698
Price Category 14	+\$5434
Price Category D	+\$672
Price Category (Geiger) D	+\$692
Price Category F	+\$1009
Price Category (Geiger) F	+\$1009
Price Category G	+\$1375
Price Category (Geiger) G	+\$1375
Price Category (Geiger) H	+\$1711
Price Category (Geiger) I	+\$2068
Price Category (Geiger) K	+\$2779
Price Category (Geiger) L	+\$3136
Price Category (Geiger) M	+\$3491
Price Category (Geiger) R	+\$7318
Price Category (Geiger) COL <input type="checkbox"/>	+\$691
Price Category (Geiger) COM <input type="checkbox"/>	+\$0

For arms on left and right (AB) with not quilted (N)

Price Category (Geiger) 11	+\$5438
Price Category P	+\$4977
Price Category (Geiger) 1	+\$0
Price Category 1	+\$0
Price Category (Geiger) 2	+\$611
Price Category 2	+\$611
Price Category (Geiger) 3	+\$767
Price Category 3	+\$767
Price Category (Geiger) 4	+\$935
Price Category 4	+\$935
Price Category (Geiger) 5	+\$1364
Price Category 5	+\$1364
Price Category (Geiger) 6	+\$1792
Price Category (Geiger) 7	+\$2220
Price Category (Geiger) 8	+\$3401
Price Category (Geiger) 9	+\$4219
Price Category 9	+\$4219
Price Category (Geiger) 10	+\$4854
Price Category 14	+\$7132
Price Category (Geiger) D	+\$910
Price Category D	+\$882
Price Category (Geiger) E	+\$1104
Price Category (Geiger) F	+\$1325
Price Category F	+\$1325
Price Category (Geiger) G	+\$1805
Price Category G	+\$1805
Price Category (Geiger) H	+\$2246
Price Category (Geiger) I	+\$2713
Price Category (Geiger) K	+\$3648
Price Category (Geiger) L	+\$4115
Price Category (Geiger) M	+\$4583
Price Category (Geiger) R	+\$9605
Price Category (Geiger) COM <input type="checkbox"/>	+\$0
Price Category (Geiger) COL <input type="checkbox"/>	+\$907

Tuxedo Classic Settee *continued*

<i>For arms on left and right (AB) with quilted (Q)</i>	
Price Category (Geiger) 11	+\$5438
Price Category (Geiger) 1	+\$0
Price Category 1	+\$0
Price Category 2	+\$611
Price Category (Geiger) 2	+\$611
Price Category 3	+\$767
Price Category (Geiger) 3	+\$767
Price Category 4	+\$935
Price Category (Geiger) 4	+\$935
Price Category 5	+\$1364
Price Category (Geiger) 5	+\$1364
Price Category (Geiger) 6	+\$1792
Price Category (Geiger) 7	+\$2220
Price Category (Geiger) 8	+\$3401
Price Category 9	+\$4219
Price Category (Geiger) 9	+\$4219
Price Category (Geiger) 10	+\$4854
Price Category 14	+\$7132
Price Category D	+\$882
Price Category (Geiger) D	+\$910
Price Category F	+\$1325
Price Category (Geiger) F	+\$1325
Price Category G	+\$1805
Price Category (Geiger) G	+\$1805
Price Category (Geiger) H	+\$2246
Price Category (Geiger) I	+\$2713
Price Category (Geiger) K	+\$3648
Price Category (Geiger) L	+\$4115
Price Category (Geiger) M	+\$4583
Price Category (Geiger) R	+\$9605
Price Category (Geiger) COL <input type="checkbox"/>	+\$907
Price Category (Geiger) COM <input type="checkbox"/>	+\$0

<i>For arm on left (AL) or arm on right (AR) with not quilted (N)</i>	
Price Category (Geiger) 11	+\$4792
Price Category P	+\$4385
Price Category (Geiger) 1	+\$0
Price Category 1	+\$0
Price Category (Geiger) 2	+\$539
Price Category 2	+\$539
Price Category (Geiger) 3	+\$676
Price Category 3	+\$676
Price Category (Geiger) 4	+\$823
Price Category 4	+\$823
Price Category (Geiger) 5	+\$1201
Price Category 5	+\$1201
Price Category (Geiger) 6	+\$1579
Price Category (Geiger) 7	+\$1956
Price Category (Geiger) 8	+\$2996
Price Category (Geiger) 9	+\$3716
Price Category 9	+\$3716
Price Category (Geiger) 10	+\$4277
Price Category 14	+\$6283
Price Category (Geiger) D	+\$802
Price Category D	+\$778
Price Category (Geiger) E	+\$972
Price Category (Geiger) F	+\$1168
Price Category F	+\$1168
Price Category (Geiger) G	+\$1590
Price Category G	+\$1590
Price Category (Geiger) H	+\$1978
Price Category (Geiger) I	+\$2389
Price Category (Geiger) K	+\$3212
Price Category (Geiger) L	+\$3624
Price Category (Geiger) M	+\$4036
Price Category (Geiger) R	+\$8461
Price Category (Geiger) COM <input type="checkbox"/>	+\$0
Price Category (Geiger) COL <input type="checkbox"/>	+\$799

Tuxedo Classic Settee *continued*

<i>For arm on left (AL) or arm on right (AR) with quilted (Q)</i>	
Price Category (Geiger) 11	+\$4792
Price Category (Geiger) 1	+\$0
Price Category 1	+\$0
Price Category 2	+\$539
Price Category (Geiger) 2	+\$539
Price Category 3	+\$676
Price Category (Geiger) 3	+\$676
Price Category 4	+\$823
Price Category (Geiger) 4	+\$823
Price Category 5	+\$1201
Price Category (Geiger) 5	+\$1201
Price Category (Geiger) 6	+\$1579
Price Category (Geiger) 7	+\$1956
Price Category (Geiger) 8	+\$2996
Price Category 9	+\$3716
Price Category (Geiger) 9	+\$3716
Price Category (Geiger) 10	+\$4277
Price Category 14	+\$6283
Price Category D	+\$778
Price Category (Geiger) D	+\$802
Price Category F	+\$1168
Price Category (Geiger) F	+\$1168
Price Category G	+\$1590
Price Category (Geiger) G	+\$1590
Price Category (Geiger) H	+\$1978
Price Category (Geiger) I	+\$2389
Price Category (Geiger) J	+\$2801
Price Category (Geiger) K	+\$3212
Price Category (Geiger) L	+\$3624
Price Category (Geiger) M	+\$4036
Price Category (Geiger) R	+\$8461
Price Category (Geiger) COL <input type="checkbox"/>	+\$799
Price Category (Geiger) COM <input type="checkbox"/>	+\$0

Step 5. Base Finish

Matte Finishes

662	toasted walnut, matte sheen <input type="checkbox"/>	+\$0
663	charred walnut, matte sheen <input type="checkbox"/>	+\$0
664	bronzed walnut, matte sheen <input type="checkbox"/>	+\$0
665	smoked walnut, matte sheen <input type="checkbox"/>	+\$0
666	coffee walnut, matte sheen <input type="checkbox"/>	+\$0
667	smoked paldao, quarter cut, matte sheen <input type="checkbox"/>	+\$0
669	warm paldao, quarter cut, matte sheen <input type="checkbox"/>	+\$0
66A	recograin frosty ash <input type="checkbox"/>	+\$0
677	chocolate ash, matte sheen <input type="checkbox"/>	+\$0

68R	recograin rosewood <input type="checkbox"/>	+\$0
69A	recograin frosty ash <input type="checkbox"/>	+\$0
69R	recograin rosewood <input type="checkbox"/>	+\$0
69T	recograin teak <input type="checkbox"/>	+\$0
6K1	rift oak <input type="checkbox"/>	+\$0
ET	clear on ash <input type="checkbox"/>	+\$0
EU	oak on ash <input type="checkbox"/>	+\$0
EV	walnut on ash <input type="checkbox"/>	+\$0
GOU	natural walnut, flat cut, matte sheen <input type="checkbox"/>	+\$0
6A1	white ash <input type="checkbox"/>	+\$0
6K6	burnt oak <input type="checkbox"/>	+\$0
932	sundance anigre <input type="checkbox"/>	+\$0
933	caramel anigre <input type="checkbox"/>	+\$0
934	henna anigre <input type="checkbox"/>	+\$0
940	sundance cherry on maple <input type="checkbox"/>	+\$0
962	toasted walnut, low sheen <input type="checkbox"/>	+\$0
963	charred walnut, low sheen <input type="checkbox"/>	+\$0
964	bronzed walnut, low sheen <input type="checkbox"/>	+\$0
965	smoked walnut, low sheen <input type="checkbox"/>	+\$0
966	coffee walnut, low sheen <input type="checkbox"/>	+\$0
967	smoked paldao, low sheen <input type="checkbox"/>	+\$0
969	warm paldao, low sheen <input type="checkbox"/>	+\$0
972	sundance walnut <input type="checkbox"/>	+\$0
977	chocolate ash, low sheen <input type="checkbox"/>	+\$0
98R	recograin rosewood <input type="checkbox"/>	+\$0
991	champagne ash <input type="checkbox"/>	+\$0
99A	recograin frosty ash <input type="checkbox"/>	+\$0
99R	recograin rosewood <input type="checkbox"/>	+\$0
99T	recograin teak <input type="checkbox"/>	+\$0
9A1	white ash, quarter cut, low sheen <input type="checkbox"/>	+\$0
9K1	rift oak, rift cut, low sheen <input type="checkbox"/>	+\$0
9K6	burnt oak, rift cut, low sheen <input type="checkbox"/>	+\$0
G2U	light brown walnut, low sheen <input type="checkbox"/>	+\$0
G40	dark brown walnut, low sheen <input type="checkbox"/>	+\$0
943	caramel cherry <input type="checkbox"/>	+\$0
946	cocoa cherry <input type="checkbox"/>	+\$0
956	cocoa sapele <input type="checkbox"/>	+\$0
998	ebony ash <input type="checkbox"/>	+\$0

RecoGrain Veneer

68W	recograin walnut, flat cut, matte sheen <input type="checkbox"/>	+\$0
69W	recograin walnut, quarter cut, matte sheen <input type="checkbox"/>	+\$0

Recon Veneer -

98W	recograin walnut, flat cut, low sheen <input type="checkbox"/>	+\$0
99W	recograin walnut, quarter cut, low sheen <input type="checkbox"/>	+\$0

Tuxedo Classic Settee *continued*

Step 6. Fire Retardancy

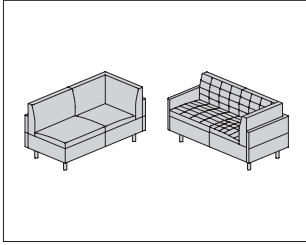
For armless (AN)
NOCAL no cal-133 required A +\$0

For arms on left and right (AB)
NOCAL no cal-133 required A +\$0

For arm on left (AL) or arm on right (AR)
NOCAL no cal-133 required A +\$0

Tuxedo Classic Corner Settee

SZ2CL
SZ2CR
SZ2ZL
SZ2ZR



Product Information

Description

This corner settee has solid wood legs with cushions made of polyfoam and DACRON®. Cushions are quilted or not quilted. The settee is available with the corner on the left or right side and with or without an arm on the opposite side.

Notes

Handedness is determined from a seated position.

Customer's Own Material (COM)/Customer's Own Leather (COL) requires the following:

Type—COM—COL

SZ2CRN—10½ yards—189 square feet

SZ2CRQ—10½ yards—189 square feet

SZ2CLN—10½ yards—189 square feet

SZ2CLQ—10½ yards—189 square feet

SZ2ZRN—11¾ yards—212 square feet

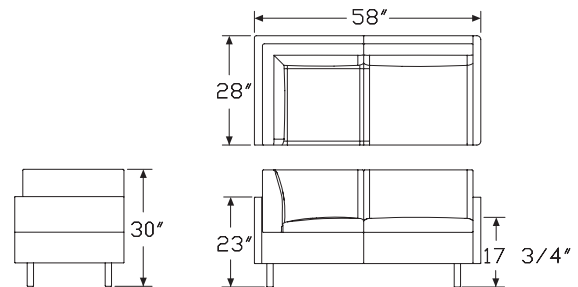
SZ2ZRQ—11¾ yards—212 square feet

SZ2ZLN—11¾ yards—212 square feet

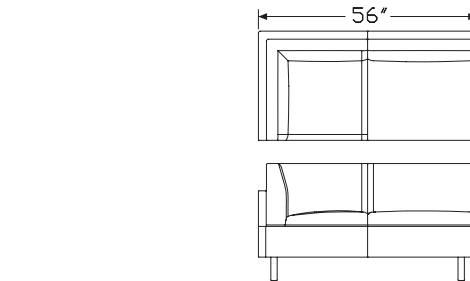
SZ2ZLQ—11¾ yards—212 square feet

See Order Information in Appendices for more information.

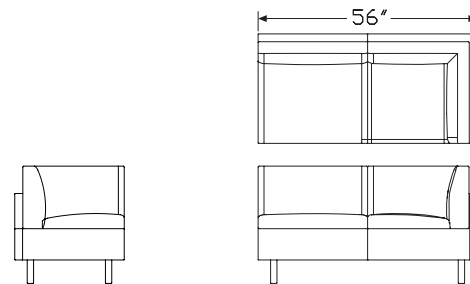
Dimensions



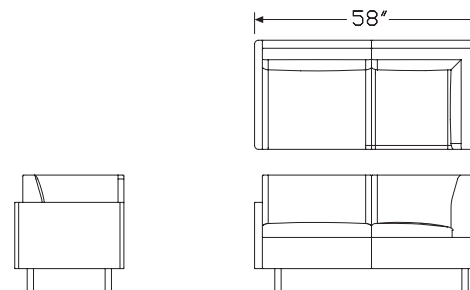
Corner Settee with Arm - Right



Corner Settee - Right



Corner Settee - Left



Corner Settee with Arm - Left

Tuxedo Classic Corner Settee

continued

HermanMiller Ancillary—Sofas

Specification Information

Step 1.

SZ2 A

Step 2. Arms

- CL** corner left A
- CR** corner right A
- ZL** corner on left with arm on right A
- ZR** corner on right with arm on left A

Step 3. Upholstery Type

- N** not quilted A
- Q** quilted A

Prices for Steps 1-3.

SZ2CL	N	\$5901
	Q	\$6351
SZ2CR	N	\$5901
	Q	\$6351
SZ2ZL	N	\$6426
	Q	\$6876
SZ2ZR	N	\$6426
	Q	\$6876

Step 4. Fabric

For not quilted (N)

Price Category (Geiger) 11	+\$5438
Price Category P	+\$4977
Price Category (Geiger) 1	+\$0
Price Category 1	+\$0
Price Category (Geiger) 2	+\$611
Price Category 2	+\$611
Price Category (Geiger) 3	+\$767
Price Category 3	+\$767
Price Category (Geiger) 4	+\$935
Price Category 4	+\$935
Price Category (Geiger) 5	+\$1364
Price Category 5	+\$1364
Price Category (Geiger) 6	+\$1792
Price Category (Geiger) 7	+\$2220
Price Category (Geiger) 8	+\$3401
Price Category (Geiger) 9	+\$4219
Price Category 9	+\$4219

Price Category (Geiger) 10	+\$4854
Price Category 14	+\$7132
Price Category (Geiger) D	+\$910
Price Category D	+\$882
Price Category (Geiger) E	+\$1104
Price Category (Geiger) F	+\$1325
Price Category F	+\$1325
Price Category (Geiger) G	+\$1805
Price Category G	+\$1805
Price Category (Geiger) H	+\$2246
Price Category (Geiger) I	+\$2713
Price Category (Geiger) J	+\$3181
Price Category (Geiger) K	+\$3648
Price Category (Geiger) L	+\$4115
Price Category (Geiger) M	+\$4583
Price Category (Geiger) R	+\$9605
Price Category (Geiger) COM <input type="checkbox"/> A	+\$0
Price Category (Geiger) COL <input type="checkbox"/> A	+\$907

Tuxedo Classic Corner Settee

continued

For quilted (Q)

Price Category (Geiger) 11	+\$5438
Price Category (Geiger) 1	+\$0
Price Category 1	+\$0
Price Category 2	+\$611
Price Category (Geiger) 2	+\$611
Price Category 3	+\$767
Price Category (Geiger) 3	+\$767
Price Category 4	+\$935
Price Category (Geiger) 4	+\$935
Price Category 5	+\$1364
Price Category (Geiger) 5	+\$1364
Price Category (Geiger) 6	+\$1792
Price Category (Geiger) 7	+\$2220
Price Category (Geiger) 8	+\$3401
Price Category 9	+\$4219
Price Category (Geiger) 9	+\$4219
Price Category (Geiger) 10	+\$4854
Price Category 14	+\$7132
Price Category D	+\$882
Price Category (Geiger) D	+\$910
Price Category F	+\$1325
Price Category (Geiger) F	+\$1325
Price Category G	+\$1805
Price Category (Geiger) G	+\$1805
Price Category (Geiger) H	+\$2246
Price Category (Geiger) I	+\$2713
Price Category (Geiger) K	+\$3648
Price Category (Geiger) L	+\$4115
Price Category (Geiger) M	+\$4583
Price Category (Geiger) R	+\$9605
Price Category (Geiger) COL <input type="checkbox"/>	+\$907
Price Category (Geiger) COM <input type="checkbox"/>	+\$0

Step 5. Base Finish

Matte Finishes

662	toasted walnut, matte sheen <input type="checkbox"/>	+\$0
663	charred walnut, matte sheen <input type="checkbox"/>	+\$0
664	bronzed walnut, matte sheen <input type="checkbox"/>	+\$0
665	smoked walnut, matte sheen <input type="checkbox"/>	+\$0
666	coffee walnut, matte sheen <input type="checkbox"/>	+\$0
667	smoked paldao, quarter cut, matte sheen <input type="checkbox"/>	+\$0
669	warm paldao, quarter cut, matte sheen <input type="checkbox"/>	+\$0
66A	recograin frosty ash <input type="checkbox"/>	+\$0
677	chocolate ash, matte sheen <input type="checkbox"/>	+\$0
68R	recograin rosewood <input type="checkbox"/>	+\$0

69A	recograin frosty ash <input type="checkbox"/>	+\$0
69R	recograin rosewood <input type="checkbox"/>	+\$0
69T	recograin teak <input type="checkbox"/>	+\$0
6K1	rift oak <input type="checkbox"/>	+\$0
ET	clear on ash <input type="checkbox"/>	+\$0
EU	oak on ash <input type="checkbox"/>	+\$0
EV	walnut on ash <input type="checkbox"/>	+\$0
GOU	natural walnut, flat cut, matte sheen <input type="checkbox"/>	+\$0
6A1	white ash <input type="checkbox"/>	+\$0
6K6	burnt oak <input type="checkbox"/>	+\$0
932	sundance anigre <input type="checkbox"/>	+\$0
933	caramel anigre <input type="checkbox"/>	+\$0
934	henna anigre <input type="checkbox"/>	+\$0
940	sundance cherry on maple <input type="checkbox"/>	+\$0
962	toasted walnut, low sheen <input type="checkbox"/>	+\$0
963	charred walnut, low sheen <input type="checkbox"/>	+\$0
964	bronzed walnut, low sheen <input type="checkbox"/>	+\$0
965	smoked walnut, low sheen <input type="checkbox"/>	+\$0
966	coffee walnut, low sheen <input type="checkbox"/>	+\$0
967	smoked paldao, low sheen <input type="checkbox"/>	+\$0
969	warm paldao, low sheen <input type="checkbox"/>	+\$0
972	sundance walnut <input type="checkbox"/>	+\$0
977	chocolate ash, low sheen <input type="checkbox"/>	+\$0
98R	recograin rosewood <input type="checkbox"/>	+\$0
991	champagne ash <input type="checkbox"/>	+\$0
99A	recograin frosty ash <input type="checkbox"/>	+\$0
99R	recograin rosewood <input type="checkbox"/>	+\$0
99T	recograin teak <input type="checkbox"/>	+\$0
9A1	white ash, quarter cut, low sheen <input type="checkbox"/>	+\$0
9K1	rift oak, rift cut, low sheen <input type="checkbox"/>	+\$0
9K6	burnt oak, rift cut, low sheen <input type="checkbox"/>	+\$0
G2U	light brown walnut, low sheen <input type="checkbox"/>	+\$0
G40	dark brown walnut, low sheen <input type="checkbox"/>	+\$0
943	caramel cherry <input type="checkbox"/>	+\$0
946	cocoa cherry <input type="checkbox"/>	+\$0
956	cocoa sapele <input type="checkbox"/>	+\$0
998	ebony ash <input type="checkbox"/>	+\$0

RecoGrain Veneer

68W	recograin walnut, flat cut, matte sheen <input type="checkbox"/>	+\$0
69W	recograin walnut, quarter cut, matte sheen <input type="checkbox"/>	+\$0

Recon Veneer -

98W	recograin walnut, flat cut, low sheen <input type="checkbox"/>	+\$0
99W	recograin walnut, quarter cut, low sheen <input type="checkbox"/>	+\$0

Tuxedo Classic Corner Settee

continued

Step 6. Fire Retardancy

For corner left (CL) or corner right (CR)

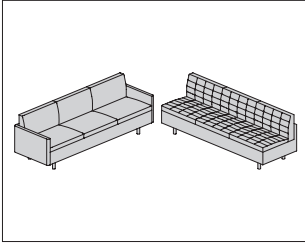
NOCAL no cal-133 required A +\$0

For corner on left with arm on right (ZL) or corner on right with arm on left (ZR)

NOCAL no cal-133 required A +\$0

Tuxedo Classic Sofa

SZ3AB
SZ3AL
SZ3AN
SZ3AR



Product Information

Description

This sofa has solid wood legs with cushions made of polyfoam and DACRON®. Cushions are quilted or not quilted. The sofa is available without arms, or with arms on either the left or right side, or on both sides.

Notes

For arm on right (AR) configuration, sofa connects to adjacent seat on the left.

For arm on left (AL) configuration, sofa connects to adjacent seat on the right.

For arms on left and right (AB), sofa connects to adjacent seat on left and right.

Handedness is determined from a seated position.

Customer's Own Material (COM)/Customer's Own Leather (COL) requires the following:

Type—COM—COL

SZ3ANN—11½ yards—207 square feet

SZ3ANQ—11½ yards—207 square feet

SZ3ABN—14 yards—252 square feet

SZ3ABQ—14 yards—252 square feet

SZ3ALN—12¾ yards—229½ square feet

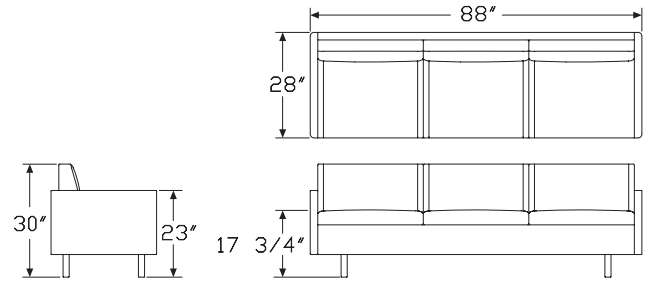
SZ3ALQ—12¾ yards—229½ square feet

SZ3ARN—12¾ yards—229½ square feet

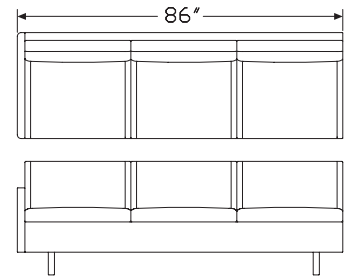
SZ3ARQ—12¾ yards—229½ square feet

See Order Information in Appendices for more information.

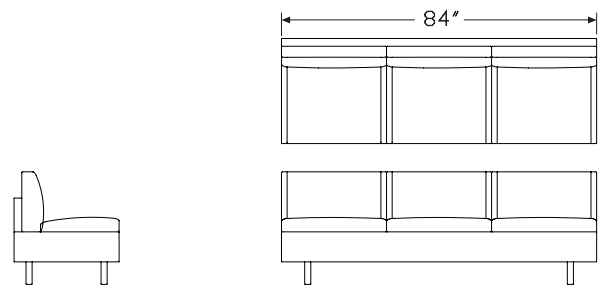
Dimensions



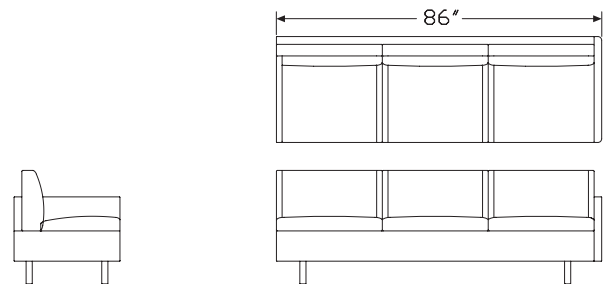
Sofa



Connecting Sofa - Arm Right



Connecting Sofa - Armless



Connecting Sofa - Arm Left

HermanMiller Ancillary—Sofas

Specification Information

Step 1.

SZ3 A

Step 2. Arms

- AN** armless A
- AB** arms on left and right A
- AL** arm on left A
- AR** arm on right A

Step 3. Upholstery Type

- N** not quilted A
- Q** quilted A

Prices for Steps 1-3.

SZ3AN	N		\$6480
	Q		\$7202
<hr/>			
SZ3AB	N		\$7688
	Q		\$8254
<hr/>			
SZ3AL	N		\$7163
	Q		\$7721
<hr/>			
SZ3AR	N		\$7163
	Q		\$7721

Step 4. Fabric

For armless (AN) with not quilted (N)

Price Category P	+\$5333
Price Category 1	+\$0
Price Category (Geiger) 1	+\$0
Price Category 2	+\$670
Price Category (Geiger) 2	+\$670
Price Category 3	+\$840
Price Category (Geiger) 3	+\$840
Price Category 4	+\$1024
Price Category (Geiger) 4	+\$1024
Price Category 5	+\$1494
Price Category (Geiger) 5	+\$1494
Price Category (Geiger) 6	+\$1962
Price Category (Geiger) 7	+\$2432
Price Category (Geiger) 8	+\$3725
Price Category 9	+\$4621
Price Category (Geiger) 9	+\$4621
Price Category (Geiger) 10	+\$5317
Price Category (Geiger) 11	+\$5957
Price Category 14	+\$7811
Price Category D	+\$966
Price Category (Geiger) D	+\$996
Price Category (Geiger) E	+\$1210
Price Category (Geiger) F	+\$1451
Price Category (Geiger) G	+\$1976
Price Category (Geiger) H	+\$2460
Price Category (Geiger) I	+\$2972
Price Category (Geiger) K	+\$3995
Price Category (Geiger) L	+\$4507
Price Category (Geiger) M	+\$5018
Price Category (Geiger) R	+\$10530
Price Category (Geiger) COL <input type="checkbox"/> A	+\$994
Price Category (Geiger) COM <input type="checkbox"/> A	+\$0

Tuxedo Classic Sofa *continued*

For armless (AN) with quilted (Q)

Price Category 1	+\$0
Price Category (Geiger) 1	+\$0
Price Category 2	+\$670
Price Category (Geiger) 2	+\$670
Price Category 3	+\$840
Price Category (Geiger) 3	+\$840
Price Category 4	+\$1024
Price Category (Geiger) 4	+\$1024
Price Category 5	+\$1494
Price Category (Geiger) 5	+\$1494
Price Category (Geiger) 6	+\$1962
Price Category (Geiger) 7	+\$2432
Price Category (Geiger) 8	+\$3725
Price Category 9	+\$4621
Price Category (Geiger) 9	+\$4621
Price Category (Geiger) 10	+\$5317
Price Category (Geiger) 11	+\$5957
Price Category 14	+\$7811
Price Category D	+\$966
Price Category (Geiger) D	+\$996
Price Category (Geiger) F	+\$1451
Price Category (Geiger) G	+\$1976
Price Category (Geiger) H	+\$2460
Price Category (Geiger) I	+\$2972
Price Category (Geiger) K	+\$3995
Price Category (Geiger) L	+\$4507
Price Category (Geiger) M	+\$5018
Price Category (Geiger) R	+\$10530
Price Category (Geiger) COL <input type="checkbox"/>	+\$994
Price Category (Geiger) COM <input type="checkbox"/>	+\$0

For arms on left and right (AB) with not quilted (N)

Price Category P	+\$6636
Price Category 1	+\$0
Price Category (Geiger) 1	+\$0
Price Category 2	+\$814
Price Category (Geiger) 2	+\$814
Price Category 3	+\$1021
Price Category (Geiger) 3	+\$1021
Price Category 4	+\$1247
Price Category (Geiger) 4	+\$1247
Price Category 5	+\$1818
Price Category (Geiger) 5	+\$1818
Price Category (Geiger) 6	+\$2388
Price Category (Geiger) 7	+\$2959
Price Category (Geiger) 8	+\$4535
Price Category 9	+\$5624
Price Category (Geiger) 9	+\$5624
Price Category (Geiger) 10	+\$6473
Price Category (Geiger) 11	+\$7250
Price Category 14	+\$9509
Price Category D	+\$1176
Price Category (Geiger) D	+\$1212
Price Category (Geiger) E	+\$1471
Price Category (Geiger) F	+\$1765
Price Category (Geiger) G	+\$2406
Price Category (Geiger) H	+\$2994
Price Category (Geiger) I	+\$3617
Price Category (Geiger) K	+\$4864
Price Category (Geiger) L	+\$5486
Price Category (Geiger) M	+\$6109
Price Category (Geiger) R	+\$12818
Price Category (Geiger) COL <input type="checkbox"/>	+\$1210
Price Category (Geiger) COM <input type="checkbox"/>	+\$0

Tuxedo Classic Sofa *continued*

For arms on left and right (AB) with quilted (Q)

Price Category 1	+\$0
Price Category (Geiger) 1	+\$0
Price Category 2	+\$814
Price Category (Geiger) 2	+\$814
Price Category 3	+\$1021
Price Category (Geiger) 3	+\$1021
Price Category 4	+\$1247
Price Category (Geiger) 4	+\$1247
Price Category 5	+\$1818
Price Category (Geiger) 5	+\$1818
Price Category (Geiger) 6	+\$2388
Price Category (Geiger) 7	+\$2959
Price Category (Geiger) 8	+\$4535
Price Category 9	+\$5624
Price Category (Geiger) 9	+\$5624
Price Category (Geiger) 10	+\$6473
Price Category (Geiger) 11	+\$7250
Price Category 14	+\$9509
Price Category D	+\$1176
Price Category (Geiger) D	+\$1212
Price Category (Geiger) F	+\$1765
Price Category (Geiger) G	+\$2406
Price Category (Geiger) H	+\$2994
Price Category (Geiger) I	+\$3617
Price Category (Geiger) J	+\$4240
Price Category (Geiger) K	+\$4864
Price Category (Geiger) L	+\$5486
Price Category (Geiger) M	+\$6109
Price Category (Geiger) R	+\$12818
Price Category (Geiger) COL A	+\$1210
Price Category (Geiger) COM A	+\$0

For arm on left (AL) or arm on right (AR) with not quilted (N)

Price Category P	+\$5333
Price Category 1	+\$0
Price Category (Geiger) 1	+\$0
Price Category 2	+\$740
Price Category (Geiger) 2	+\$740
Price Category 3	+\$930
Price Category (Geiger) 3	+\$930
Price Category 4	+\$1135
Price Category (Geiger) 4	+\$1135
Price Category 5	+\$1656
Price Category (Geiger) 5	+\$1656
Price Category (Geiger) 6	+\$2176
Price Category (Geiger) 7	+\$2695
Price Category (Geiger) 8	+\$4130
Price Category 9	+\$5123
Price Category (Geiger) 9	+\$5123
Price Category (Geiger) 10	+\$5896
Price Category (Geiger) 11	+\$6604
Price Category 14	+\$8660
Price Category D	+\$1072
Price Category (Geiger) D	+\$1104
Price Category (Geiger) E	+\$1340
Price Category (Geiger) F	+\$1609
Price Category (Geiger) G	+\$2191
Price Category (Geiger) H	+\$2728
Price Category (Geiger) I	+\$3294
Price Category (Geiger) K	+\$4429
Price Category (Geiger) L	+\$4997
Price Category (Geiger) M	+\$5564
Price Category (Geiger) R	+\$11903
Price Category (Geiger) COL A	+\$1102
Price Category (Geiger) COM A	+\$0

Tuxedo Classic Sofa *continued*

<i>For arm on left (AL) or arm on right (AR) with quilted (Q)</i>	
Price Category 1	+\$0
Price Category (Geiger) 1	+\$0
Price Category 2	+\$740
Price Category (Geiger) 2	+\$740
Price Category 3	+\$930
Price Category (Geiger) 3	+\$930
Price Category 4	+\$1135
Price Category (Geiger) 4	+\$1135
Price Category 5	+\$1656
Price Category (Geiger) 5	+\$1656
Price Category (Geiger) 6	+\$2176
Price Category (Geiger) 7	+\$2695
Price Category (Geiger) 8	+\$4130
Price Category 9	+\$5123
Price Category (Geiger) 9	+\$5123
Price Category (Geiger) 10	+\$5896
Price Category (Geiger) 11	+\$6604
Price Category 14	+\$8660
Price Category (Geiger) D	+\$1104
Price Category (Geiger) F	+\$1609
Price Category (Geiger) G	+\$2191
Price Category (Geiger) H	+\$2728
Price Category (Geiger) I	+\$3294
Price Category (Geiger) K	+\$4429
Price Category (Geiger) L	+\$4997
Price Category (Geiger) M	+\$5564
Price Category (Geiger) R	+\$11903
Price Category (Geiger) COL <input type="checkbox"/>	+\$1102
Price Category (Geiger) COM <input type="checkbox"/>	+\$0

Step 5. Base Finish

Matte Finishes

662	toasted walnut, matte sheen <input type="checkbox"/>	+\$0
663	charred walnut, matte sheen <input type="checkbox"/>	+\$0
664	bronzed walnut, matte sheen <input type="checkbox"/>	+\$0
665	smoked walnut, matte sheen <input type="checkbox"/>	+\$0
666	coffee walnut, matte sheen <input type="checkbox"/>	+\$0
667	smoked paldao, quarter cut, matte sheen <input type="checkbox"/>	+\$0
669	warm paldao, quarter cut, matte sheen <input type="checkbox"/>	+\$0
66A	recoGrain frosty ash <input type="checkbox"/>	+\$0
677	chocolate ash, matte sheen <input type="checkbox"/>	+\$0
68R	recoGrain rosewood <input type="checkbox"/>	+\$0
69A	recoGrain frosty ash <input type="checkbox"/>	+\$0
69R	recoGrain rosewood <input type="checkbox"/>	+\$0
69T	recoGrain teak <input type="checkbox"/>	+\$0

6K1	rift oak <input type="checkbox"/>	+\$0
ET	clear on ash <input type="checkbox"/>	+\$0
EU	oak on ash <input type="checkbox"/>	+\$0
EV	walnut on ash <input type="checkbox"/>	+\$0
GOU	natural walnut, flat cut, matte sheen <input type="checkbox"/>	+\$0
6A1	white ash <input type="checkbox"/>	+\$0
6K6	burnt oak <input type="checkbox"/>	+\$0
932	sundance anigre <input type="checkbox"/>	+\$0
933	caramel anigre <input type="checkbox"/>	+\$0
934	henna anigre <input type="checkbox"/>	+\$0
940	sundance cherry on maple <input type="checkbox"/>	+\$0
962	toasted walnut, low sheen <input type="checkbox"/>	+\$0
963	charred walnut, low sheen <input type="checkbox"/>	+\$0
964	bronzed walnut, low sheen <input type="checkbox"/>	+\$0
965	smoked walnut, low sheen <input type="checkbox"/>	+\$0
966	coffee walnut, low sheen <input type="checkbox"/>	+\$0
967	smoked paldao, low sheen <input type="checkbox"/>	+\$0
969	warm paldao, low sheen <input type="checkbox"/>	+\$0
972	sundance walnut <input type="checkbox"/>	+\$0
977	chocolate ash, low sheen <input type="checkbox"/>	+\$0
98R	recoGrain rosewood <input type="checkbox"/>	+\$0
991	champagne ash <input type="checkbox"/>	+\$0
99A	recoGrain frosty ash <input type="checkbox"/>	+\$0
99R	recoGrain rosewood <input type="checkbox"/>	+\$0
99T	recoGrain teak <input type="checkbox"/>	+\$0
9A1	white ash, quarter cut, low sheen <input type="checkbox"/>	+\$0
9K1	rift oak, rift cut, low sheen <input type="checkbox"/>	+\$0
9K6	burnt oak, rift cut, low sheen <input type="checkbox"/>	+\$0
G2U	light brown walnut, low sheen <input type="checkbox"/>	+\$0
G40	dark brown walnut, low sheen <input type="checkbox"/>	+\$0
943	caramel cherry <input type="checkbox"/>	+\$0
946	cocoa cherry <input type="checkbox"/>	+\$0
956	cocoa sapele <input type="checkbox"/>	+\$0
998	ebony ash <input type="checkbox"/>	+\$0

RecoGrain Veneer

68W	recoGrain walnut, flat cut, matte sheen <input type="checkbox"/>	+\$0
69W	recoGrain walnut, quarter cut, matte sheen <input type="checkbox"/>	+\$0

Recon Veneer -

98W	recoGrain walnut, flat cut, low sheen <input type="checkbox"/>	+\$0
99W	recoGrain walnut, quarter cut, low sheen <input type="checkbox"/>	+\$0

Step 6. Fire Retardancy

For armless (AN)

NOCAL	no cal-133 required <input type="checkbox"/>	+\$0
-------	----------------------------------------------	------

Tuxedo Classic Sofa *continued*

For arms on left and right (AB)

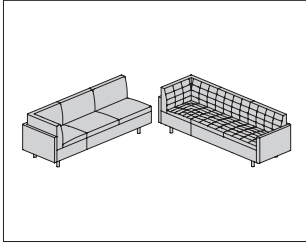
NOCAL no cal-133 required A +\$0

For arm on left (AL) or arm on right (AR)

NOCAL no cal-133 required A +\$0

Tuxedo Classic Corner Sofa

SZ3CL
 SZ3CR
 SZ3ZL
 SZ3ZR



Product Information

Description

This corner sofa has solid wood legs with cushions made of polyfoam and DACRON®. Cushions are quilted or not quilted. The sofa is available with the corner on the left or right side and with or without an arm on the opposite side.

Notes

Handedness is determined from a seated position.

Customer's Own Material (COM)/Customer's Own Leather (COL) requires the following:

Type—COM—COL

SZ3CRN—14½ yards—261 square feet

SZ3CRQ—14½ yards—261 square feet

SZ3CLN—14½ yards—261 square feet

SZ3CLQ—14½ yards—261 square feet

SZ3ZRN—15¾ yards—284 square feet

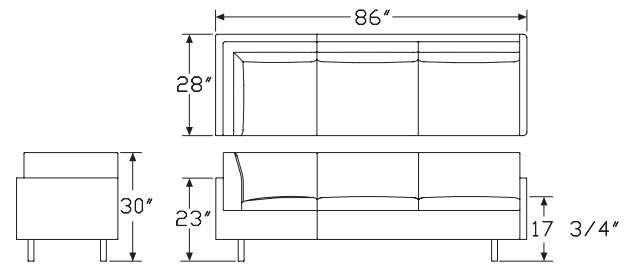
SZ3ZRQ—15¾ yards—284 square feet

SZ3ZLN—15¾ yards—284 square feet

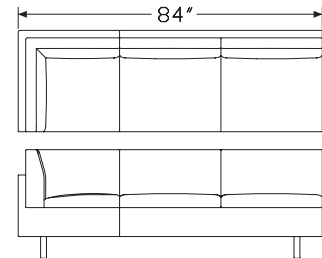
SZ3ZLQ—15¾ yards—284 square feet

See Order Information in Appendices for more information.

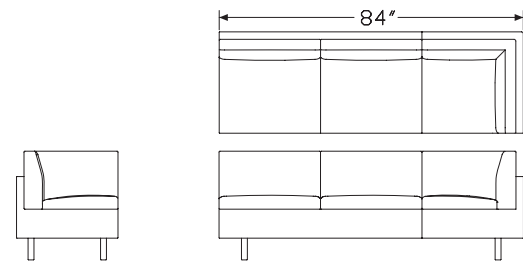
Dimensions



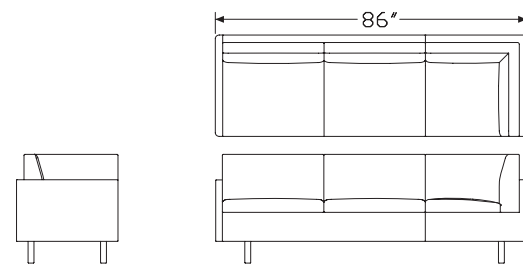
Corner Sofa with Arm - Right



Corner Sofa - Right



Corner Sofa - Left



Corner Sofa with Arm - Left

Tuxedo Classic Corner Sofa *continued*

HermanMiller Ancillary—Sofas

Specification Information

Step 1.

SZ3 A

Step 2. Arms

- CL** corner left A
- CR** corner right A
- ZL** corner on left with arm on right A
- ZR** corner on right with arm on left A

Step 3. Upholstery Type

- N** not quilted A
- Q** quilted A

Prices for Steps 1-3.

SZ3CL	N		\$7789
	Q		\$8430
<hr/>			
SZ3CR	N		\$7789
	Q		\$8430
<hr/>			
SZ3ZL	N		\$8308
	Q		\$8955
<hr/>			
SZ3ZR	N		\$8308
	Q		\$8955

Step 4. Fabric

For not quilted (N)

Price Category (Geiger) 11	+\$7511
Price Category P	+\$6873
Price Category (Geiger) 1	+\$0
Price Category 1	+\$0
Price Category (Geiger) 2	+\$844
Price Category 2	+\$844
Price Category (Geiger) 3	+\$1058
Price Category 3	+\$1058
Price Category (Geiger) 4	+\$1291
Price Category 4	+\$1291
Price Category (Geiger) 5	+\$1883
Price Category 5	+\$1883
Price Category (Geiger) 6	+\$2474
Price Category (Geiger) 7	+\$3066
Price Category (Geiger) 8	+\$4696
Price Category (Geiger) 9	+\$5826
Price Category 9	+\$5826

Price Category (Geiger) 10	+\$6703
Price Category 14	+\$9848
Price Category (Geiger) D	+\$1255
Price Category D	+\$1218
Price Category (Geiger) E	+\$1524
Price Category (Geiger) F	+\$1829
Price Category F	+\$1829
Price Category (Geiger) G	+\$2492
Price Category G	+\$2492
Price Category (Geiger) H	+\$3102
Price Category (Geiger) I	+\$3746
Price Category (Geiger) J	+\$4392
Price Category (Geiger) K	+\$5038
Price Category (Geiger) L	+\$5682
Price Category (Geiger) M	+\$6328
Price Category (Geiger) R	+\$13262
Price Category (Geiger) COM <input type="checkbox"/> A	+\$0
Price Category (Geiger) COL <input type="checkbox"/> A	+\$1253

Tuxedo Classic Corner Sofa *continued*

For quilted (Q)

Price Category (Geiger) 11	+\$7511
Price Category (Geiger) 1	+\$0
Price Category 1	+\$0
Price Category 2	+\$844
Price Category (Geiger) 2	+\$844
Price Category 3	+\$1058
Price Category (Geiger) 3	+\$1058
Price Category 4	+\$1291
Price Category (Geiger) 4	+\$1291
Price Category 5	+\$1883
Price Category (Geiger) 5	+\$1883
Price Category (Geiger) 6	+\$2474
Price Category (Geiger) 7	+\$3066
Price Category (Geiger) 8	+\$4696
Price Category 9	+\$5826
Price Category (Geiger) 9	+\$5826
Price Category (Geiger) 10	+\$6703
Price Category 14	+\$9848
Price Category D	+\$1218
Price Category (Geiger) D	+\$1255
Price Category F	+\$1829
Price Category (Geiger) F	+\$1829
Price Category G	+\$2492
Price Category (Geiger) G	+\$2492
Price Category (Geiger) H	+\$3102
Price Category (Geiger) I	+\$3746
Price Category (Geiger) K	+\$5038
Price Category (Geiger) L	+\$5682
Price Category (Geiger) M	+\$6328
Price Category (Geiger) R	+\$13262
Price Category (Geiger) COL A	+\$1253
Price Category (Geiger) COM A	+\$0

Step 5. Base Finish

Matte Finishes

662 toasted walnut, matte sheen A	+\$0
663 charred walnut, matte sheen A	+\$0
664 bronzed walnut, matte sheen A	+\$0
665 smoked walnut, matte sheen A	+\$0
666 coffee walnut, matte sheen A	+\$0
667 smoked paldao, quarter cut, matte sheen A	+\$0
669 warm paldao, quarter cut, matte sheen A	+\$0
66A recognrain frosty ash A	+\$0
677 chocolate ash, matte sheen A	+\$0
68R recognrain rosewood A	+\$0

69A recognrain frosty ash A	+\$0
69R recognrain rosewood A	+\$0
69T recognrain teak A	+\$0
6K1 rift oak A	+\$0
ET clear on ash A	+\$0
EU oak on ash A	+\$0
EV walnut on ash A	+\$0
GOU natural walnut, flat cut, matte sheen A	+\$0
6A1 white ash A	+\$0
6K6 burnt oak A	+\$0
932 sundance anigre A	+\$0
933 caramel anigre A	+\$0
934 henna anigre A	+\$0
940 sundance cherry on maple A	+\$0
962 toasted walnut, low sheen A	+\$0
963 charred walnut, low sheen A	+\$0
964 bronzed walnut, low sheen A	+\$0
965 smoked walnut, low sheen A	+\$0
966 coffee walnut, low sheen A	+\$0
967 smoked paldao, low sheen A	+\$0
969 warm paldao, low sheen A	+\$0
972 sundance walnut A	+\$0
977 chocolate ash, low sheen A	+\$0
98R recognrain rosewood A	+\$0
991 champagne ash A	+\$0
99A recognrain frosty ash A	+\$0
99R recognrain rosewood A	+\$0
99T recognrain teak A	+\$0
9A1 white ash, quarter cut, low sheen A	+\$0
9K1 rift oak, rift cut, low sheen A	+\$0
9K6 burnt oak, rift cut, low sheen A	+\$0
G2U light brown walnut, low sheen A	+\$0
G40 dark brown walnut, low sheen A	+\$0
943 caramel cherry A	+\$0
946 cocoa cherry A	+\$0
956 cocoa sapele A	+\$0
998 ebony ash A	+\$0
68W recognrain walnut, flat cut, matte sheen A	+\$0
69W recognrain walnut, quarter cut, matte sheen A	+\$0
98W recognrain walnut, flat cut, low sheen A	+\$0
99W recognrain walnut, quarter cut, low sheen A	+\$0

Step 6. Fire Retardancy

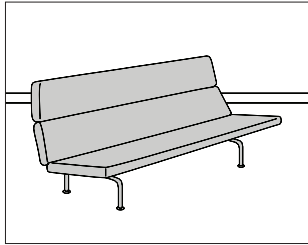
For corner left (CL) or corner right (CR)

NOCAL no cal-133 required A	+\$0
--------------------------------------------------------------------------------------------------	------

Tuxedo Classic Corner Sofa *continued*

For corner on left with arm on right (ZL) or corner on right with arm on left (ZR)

NOCAL no cal-133 required **A** +**\$0**



Product Information

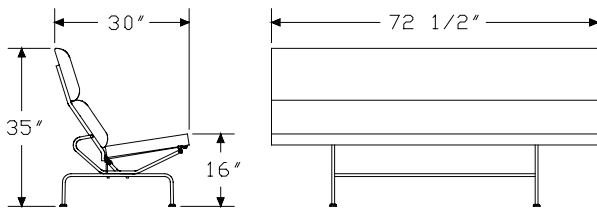
Description

This sofa has 2½"-thick upholstered foam cushions supported by a black enameled frame. It has polished chrome-plated legs and stainless steel glides. All fabrics are railroaded.

Notes

Customer's Own Material (COM) requires 6 yards. See Order Information in Appendices.

Dimensions



Specification Information

Step 1.

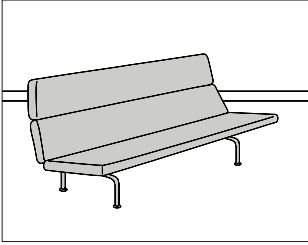
473 [A] \$8516

Step 2. Fabric

See application chart and textiles list for fabric usage and numbers. First 2 digits of number indicate fabric line; remaining digit(s) indicate fabric color.

Price Category 1	+\$0
Price Category 2	+\$120
Price Category 3	+\$167
Price Category 4	+\$312
Price Category (Geiger) 4	+\$312
Price Category 5	+\$509
Price Category (Geiger) 5	+\$647
Price Category (Geiger) 6	+\$876
Price Category 7	+\$928
Price Category (Geiger) 7	+\$1196
Price Category 8	+\$1944
Price Category 9	+\$704
Price Category 10	+\$2329
Price Category 11	+\$2540
Price Category 14	+\$3048
Price Category B	+\$202
Price Category C	+\$301
Price Category D	+\$401
Price Category E	+\$502
Price Category F	+\$656
Price Category G	+\$852
Price Category H	+\$1037
Price Category I	+\$1218
Price Category J	+\$1400
Price Category K	+\$1582
Price Category L	+\$1764
Price Category M	+\$1945
Price Category N	+\$2128
Price Category O	+\$2309
Price Category P	+\$2491
Price Category Q	+\$2682
Price Category R	+\$4357
Price Category S	+\$3082
Price Category X	+\$5928
Price Category Y	+\$6242
Price Category Z	+\$3816

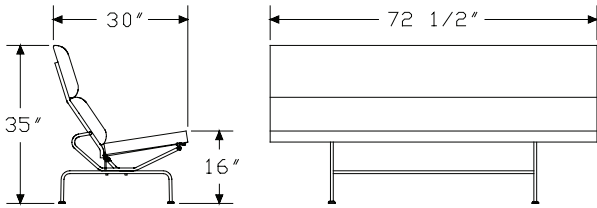
Eames® Sofa Compact, Herman Miller 473X
x HAY



Product Information

Description
This sofa has 2½"-thick upholstered foam cushions supported by a black blue enameled frame.

Dimensions

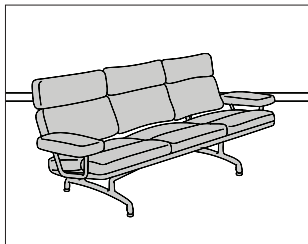


Specification Information

Step 1.
473X [A] \$10351

Step 2. Fabric
See application chart and textiles list for fabric usage and numbers. First 2 digits of number indicate fabric line; remaining digit(s) indicate fabric color.
Price Category L +\$0

HermanMiller Ancillary--Sofas



Product Information

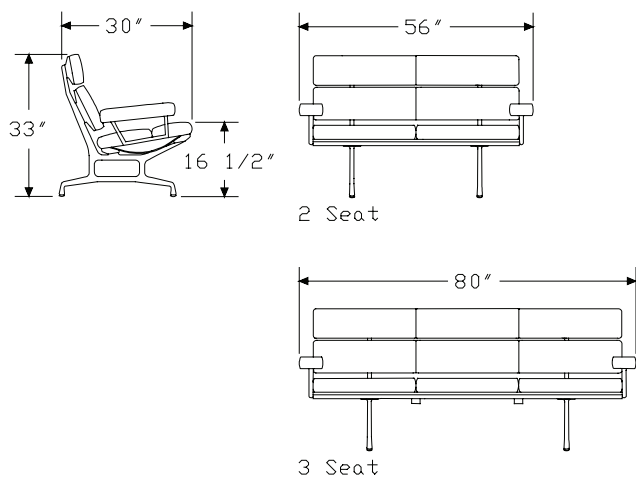
Description

This sofa has 2"-thick upholstered foam cushions and a polished chrome-plated frame with nylon glides. The back panels are hand-finished solid walnut or solid teak.

Notes

Customer's Own Material (COM) requires 4½ yards for 2-seat sofa and 6½ yards for 3-seat sofa. Customer's Own Leather (COL) requires 100 square feet for 2-seat sofa and 125 square feet for 3-seat sofa. See Order Information in Appendices.

Dimensions



Specification Information

Step 1.

ES1 A

Step 2. Number of Seats

08 3 seats A

10 2 seats A

Prices for Steps 1-2.

ES108 \$17015

ES110 \$15511

Step 3. Back Finish

For 3 seats (08)

5Q oiled walnut A +\$0

OT teak A +\$775

For 2 seats (10)

5Q oiled walnut A +\$0

OT teak A +\$725

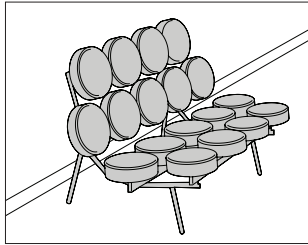
Step 4. Base Finish

CD polished aluminum A +\$0

Step 5. Fabric
 See application chart and textiles list for fabric usage and numbers. First 2 digits of number indicate fabric line; remaining digit(s) indicate fabric color.

For 3 seats (08)	
Price Category 1 A	+\$0
Price Category 3	+\$253
Price Category 4	+\$412
Price Category 5	+\$689
Price Category 7	+\$752
Price Category (Geiger) 7	+\$752
Price Category 8	+\$1217
Price Category 9	+\$1992
Price Category (Geiger) 10	+\$1632
Price Category 10M	+\$3517
Price Category 11	+\$2788
Price Category (Geiger) 11	+\$2788
Price Category C	+\$362
Price Category E	+\$554
Price Category F	+\$716
Price Category G	+\$931
Price Category H	+\$1132
Price Category I	+\$1330
Price Category J	+\$1529
Price Category K	+\$1727
Price Category L	+\$1925
Price Category M	+\$2124
Price Category N	+\$2322
Price Category O	+\$2520
Price Category P	+\$2719
Price Category Q	+\$2927
Price Category R	+\$4548
Price Category S	+\$3364
Price Category T	+\$5169
Price Category V	+\$7301
Price Category Z	+\$4954

For 2 seats (10)	
Price Category 1 A	+\$0
Price Category 3	+\$224
Price Category 4	+\$337
Price Category 5	+\$608
Price Category 7	+\$638
Price Category (Geiger) 7	+\$638
Price Category 8	+\$972
Price Category 9	+\$1572
Price Category (Geiger) 10	+\$1776
Price Category 10M	+\$2814
Price Category 11	+\$2137
Price Category (Geiger) 11	+\$2137
Price Category C	+\$350
Price Category E	+\$554
Price Category F	+\$716
Price Category G	+\$847
Price Category H	+\$1132
Price Category I	+\$1330
Price Category J	+\$1529
Price Category K	+\$1727
Price Category L	+\$1925
Price Category M	+\$2124
Price Category N	+\$2322
Price Category O	+\$2520
Price Category P	+\$2719
Price Category Q	+\$2927
Price Category R	+\$3122
Price Category S	+\$3364
Price Category T	+\$3545
Price Category V	+\$4867
Price Category Z	+\$7633



Product Information

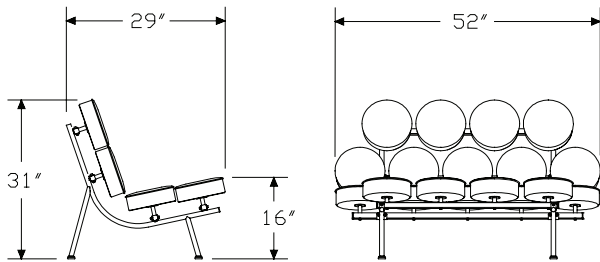
Description

This upholstered sofa has 18 circular cushions on the back and seat, a brushed-finish tubular-steel frame, and black-satin-finish legs.

Notes

Customer's Own Material (COM) requires 3¾ yards. Customer's Own Leather (COL) requires 62 square feet. See Order Information in Appendices.

Dimensions



Specification Information

Step 1.

5670 A \$8136

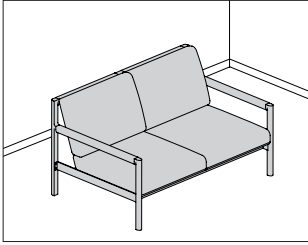
Step 2. Fabric

See application chart and textiles list for fabric usage and numbers. First 2 digits of number indicate fabric line; remaining digit(s) indicate fabric color.

Price Category 1 A	+\$0
Price Category 2	+\$0
Price Category 7	+\$1236
Price Category 8	+\$1525
Price Category 9	+\$1730
Price Category 11	+\$1904
Price Category (Geiger) 11	+\$1904

Brabo Settee

SVV5A
SVV5W



Product Information

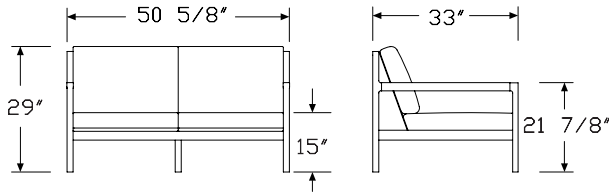
Description

This settee has a solid ash or solid walnut frame with steel-plated metal, leather sling and arm wrap, and upholstered foam cushions.

Notes

Customers Own Material (COM) requires 4 yards for the back and seat cushions. Customers Own Leather (COL) requires 72 square feet for the back and seat cushions, and an additional 54 square feet for the sling and arm wrap. See Order Information in Appendices.

Dimensions



HermanMiller Ancillary--Sofas

Specification Information

Step 1.

SVV5

Step 2. Frame Finish

A ash

W walnut

Prices for Steps 1-2.

SVV5A \$6836

SVV5W \$7136

Step 3. Wood Finish

Anigre Veneer - Low Sheen

For ash (A)

967 smoked paldao, low sheen +\$0

969 warm paldao, low sheen +\$0

Premium Veneer - Low Sheen

For ash (A)

940 sundance cherry on maple +\$0

943 caramel cherry +\$0

946 cocoa cherry +\$0

956 cocoa sapele +\$0

962 toasted walnut, low sheen +\$0

963 charred walnut, low sheen +\$0

964 bronzed walnut, low sheen +\$0

965 smoked walnut, low sheen +\$0

966 coffee walnut, low sheen +\$0

977 chocolate ash, low sheen +\$0

98R recograin rosewood +\$0

991 champagne ash +\$0

998 ebony ash +\$0

99A recograin frosty ash +\$0

99R recograin rosewood +\$0

99T recograin teak +\$0

9A1 white ash, quarter cut, low sheen +\$0

9K1 rift oak, rift cut, low sheen +\$0

9K6 burnt oak, rift cut, low sheen +\$0

G2U light brown walnut, low sheen +\$0

G40 dark brown walnut, low sheen +\$0

Premium Veneer - Matte

For ash (A)

66A	recograin frosty ash [A]	+\$0
677	chocolate ash, matte sheen [A]	+\$0
68R	recograin rosewood [A]	+\$0
69A	recograin frosty ash [A]	+\$0
69R	recograin rosewood [A]	+\$0
69T	recograin teak [A]	+\$0
6A1	white ash [A]	+\$0
6K1	rift oak [A]	+\$0
6K6	burnt oak [A]	+\$0
ET	clear on ash [A]	+\$0
EU	oak on ash [A]	+\$0
EV	walnut on ash [A]	+\$0
GOU	natural walnut, flat cut, matte sheen [A]	+\$0

RecoGrain Veneer

For ash (A)

68W	recograin walnut, flat cut, matte sheen [A]	+\$0
69W	recograin walnut, quarter cut, matte sheen [A]	+\$0

Recon Veneer -

For ash (A)

98W	recograin walnut, flat cut, low sheen [A]	+\$0
99W	recograin walnut, quarter cut, low sheen [A]	+\$0

Premium Veneer - Low Sheen

For walnut (W)

962	toasted walnut, low sheen [A]	+\$0
963	charred walnut, low sheen [A]	+\$0
964	bronzed walnut, low sheen [A]	+\$0
965	smoked walnut, low sheen [A]	+\$0
966	coffee walnut, low sheen [A]	+\$0
972	sundance walnut [A]	+\$0
98R	recograin rosewood [A]	+\$0
99R	recograin rosewood [A]	+\$0
G2U	light brown walnut, low sheen [A]	+\$0
G40	dark brown walnut, low sheen [A]	+\$0

Premium Veneer - Matte

For walnut (W)

662	toasted walnut, matte sheen [A]	+\$0
663	charred walnut, matte sheen [A]	+\$0
664	bronzed walnut, matte sheen [A]	+\$0
665	smoked walnut, matte sheen [A]	+\$0
666	coffee walnut, matte sheen [A]	+\$0
667	smoked paldao, quarter cut, matte sheen [A]	+\$0
669	warm paldao, quarter cut, matte sheen [A]	+\$0
68R	recograin rosewood [A]	+\$0
69R	recograin rosewood [A]	+\$0
GOU	natural walnut, flat cut, matte sheen [A]	+\$0

Anigre Veneer - Low Sheen

For walnut (W)

967	smoked paldao, low sheen [A]	+\$0
969	warm paldao, low sheen [A]	+\$0

Step 4. Seat/Back Fabric

Price Category (Geiger) 1	+\$0
Price Category 1	+\$0
Price Category 2	+\$233
Price Category (Geiger) 2	+\$233
Price Category 3	+\$293
Price Category (Geiger) 3	+\$293
Price Category 4	+\$356
Price Category (Geiger) 4	+\$356
Price Category 5	+\$233
Price Category (Geiger) 5	+\$520
Price Category (Geiger) 6	+\$683
Price Category (Geiger) 7	+\$846
Price Category (Geiger) 8	+\$1296
Price Category 9	+\$1607
Price Category (Geiger) 9	+\$1607
Price Category (Geiger) 10	+\$1849
Price Category 11	+\$2072
Price Category (Geiger) 11	+\$2072
Price Category (Geiger) 14	+\$2717
Price Category (Geiger) C	+\$263
Price Category D	+\$347
Price Category (Geiger) D	+\$347
Price Category (Geiger) E	+\$688
Price Category F	+\$505
Price Category (Geiger) F	+\$505
Price Category G	+\$688
Price Category (Geiger) G	+\$688
Price Category H	+\$856

Brabo Settee *continued*

HermanMiller Ancillary--Sofas

Price Category (Geiger) I	+\$1034
Price Category (Geiger) J	+\$1212
Price Category (Geiger) K	+\$1390
Price Category (Geiger) L	+\$1568
Price Category (Geiger) M	+\$1746
Price Category (Geiger) N	+\$1924
Price Category (Geiger) O	+\$2101
Price Category (Geiger) P	+\$2275
Price Category (Geiger) Q	+\$2626
Price Category (Geiger) R	+\$3659
Price Category (Geiger) S	+\$3931
Price Category (Geiger) T	+\$4202
Price Category (Geiger) U	+\$4475
Price Category (Geiger) X	+\$5291
Price Category (Geiger) Y	+\$5562
Price Category (Geiger) Z	+\$5837
Price Category (Geiger) COL <input type="checkbox"/>	+\$259
Price Category (Geiger) COM <input type="checkbox"/>	+\$0

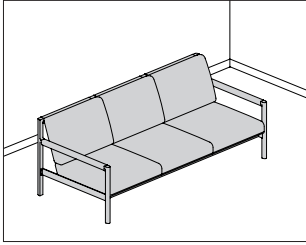
Step 5. Sling/Arm Leather	
Price Category (Geiger) 10	+\$1849
Price Category 11	+\$1554
Price Category (Geiger) 11	+\$1554

Step 6. Base Finish	
CHR chrome <input type="checkbox"/>	+\$0
SAC satin chrome <input type="checkbox"/>	+\$0

Step 7. Fire Retardancy	
NOCAL no cal-133 required <input type="checkbox"/>	+\$0

Brabo Sofa

SVV6A
SVV6W



Product Information

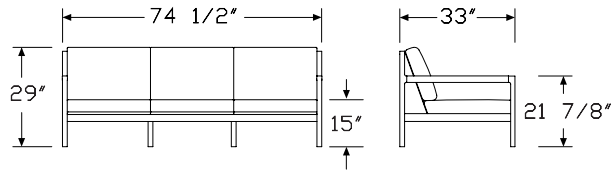
Description

This sofa has a solid ash or solid walnut frame with steel-plated metal, leather sling and arm wrap, and upholstered foam cushions.

Notes

Customers Own Material (COM) requires 6 yards for the back and seat cushions. Customers Own Leather (COL) requires 108 square feet for the back and seat cushions, and an additional 81 square feet for the sling and arm wrap. See Order Information in Appendices.

Dimensions



Specification Information

Step 1.

SVV6 [A]

Step 2. Frame Finish

A ash [A]

W walnut [A]

Prices for Steps 1-2.

SVV6A	\$9147
SVV6W	\$9535

Step 3. Wood Finish

Anigre Veneer - Low Sheen

For ash (A)

967	smoked paldao, low sheen [A]	+\$0
969	warm paldao, low sheen [A]	+\$0

Premium Veneer - Low Sheen

For ash (A)

940	sundance cherry on maple [A]	+\$0
943	caramel cherry [A]	+\$0
946	cocoa cherry [A]	+\$0
956	cocoa sapele [A]	+\$0
962	toasted walnut, low sheen [A]	+\$0
963	charred walnut, low sheen [A]	+\$0
964	bronzed walnut, low sheen [A]	+\$0
965	smoked walnut, low sheen [A]	+\$0
966	coffee walnut, low sheen [A]	+\$0
977	chocolate ash, low sheen [A]	+\$0
98R	recograin rosewood [A]	+\$0
991	champagne ash [A]	+\$0
998	ebony ash [A]	+\$0
99A	recograin frosty ash [A]	+\$0
99R	recograin rosewood [A]	+\$0
99T	recograin teak [A]	+\$0
9A1	white ash, quarter cut, low sheen [A]	+\$0
9K1	rift oak, rift cut, low sheen [A]	+\$0
9K6	burnt oak, rift cut, low sheen [A]	+\$0
G2U	light brown walnut, low sheen [A]	+\$0
G40	dark brown walnut, low sheen [A]	+\$0

HermanMiller Ancillary-Sofas

Premium Veneer - Matte		
<i>For ash (A)</i>		
66A	recograin frosty ash <input type="checkbox"/>	+\$0
677	chocolate ash, matte sheen <input type="checkbox"/>	+\$0
68R	recograin rosewood <input type="checkbox"/>	+\$0
69A	recograin frosty ash <input type="checkbox"/>	+\$0
69R	recograin rosewood <input type="checkbox"/>	+\$0
69T	recograin teak <input type="checkbox"/>	+\$0
6A1	white ash <input type="checkbox"/>	+\$0
6K1	rift oak <input type="checkbox"/>	+\$0
6K6	burnt oak <input type="checkbox"/>	+\$0
ET	clear on ash <input type="checkbox"/>	+\$0
EU	oak on ash <input type="checkbox"/>	+\$0
EV	walnut on ash <input type="checkbox"/>	+\$0
GOU	natural walnut, flat cut, matte sheen <input type="checkbox"/>	+\$0

RecoGrain Veneer		
<i>For ash (A)</i>		
68W	recograin walnut, flat cut, matte sheen <input type="checkbox"/>	+\$0
69W	recograin walnut, quarter cut, matte sheen <input type="checkbox"/>	+\$0

Recon Veneer -		
<i>For ash (A)</i>		
98W	recograin walnut, flat cut, low sheen <input type="checkbox"/>	+\$0
99W	recograin walnut, quarter cut, low sheen <input type="checkbox"/>	+\$0

Anigre Veneer - Low Sheen		
<i>For walnut (W)</i>		
967	smoked paldao, low sheen <input type="checkbox"/>	+\$0
969	warm paldao, low sheen <input type="checkbox"/>	+\$0

Premium Veneer - Low Sheen		
<i>For walnut (W)</i>		
962	toasted walnut, low sheen <input type="checkbox"/>	+\$0
963	charred walnut, low sheen <input type="checkbox"/>	+\$0
964	bronzed walnut, low sheen <input type="checkbox"/>	+\$0
965	smoked walnut, low sheen <input type="checkbox"/>	+\$0
966	coffee walnut, low sheen <input type="checkbox"/>	+\$0
972	sundance walnut <input type="checkbox"/>	+\$0
98R	recograin rosewood <input type="checkbox"/>	+\$0
99R	recograin rosewood <input type="checkbox"/>	+\$0

Premium Veneer - Matte		
<i>For walnut (W)</i>		
662	toasted walnut, matte sheen <input type="checkbox"/>	+\$0
663	charred walnut, matte sheen <input type="checkbox"/>	+\$0
664	bronzed walnut, matte sheen <input type="checkbox"/>	+\$0
665	smoked walnut, matte sheen <input type="checkbox"/>	+\$0
666	coffee walnut, matte sheen <input type="checkbox"/>	+\$0
667	smoked paldao, quarter cut, matte sheen <input type="checkbox"/>	+\$0
669	warm paldao, quarter cut, matte sheen <input type="checkbox"/>	+\$0
68R	recograin rosewood <input type="checkbox"/>	+\$0
69R	recograin rosewood <input type="checkbox"/>	+\$0

Matte Wood Finishes		
<i>For walnut (W)</i>		
GOU	natural walnut, flat cut, matte sheen <input type="checkbox"/>	+\$0

Step 4. Seat/Back Fabric	
Price Category (Geiger) 1	+\$0
Price Category 1	+\$0
Price Category 2	+\$349
Price Category (Geiger) 2	+\$349
Price Category 3	+\$438
Price Category (Geiger) 3	+\$438
Price Category 4	+\$534
Price Category (Geiger) 4	+\$534
Price Category 5	+\$520
Price Category (Geiger) 5	+\$779
Price Category (Geiger) 6	+\$1024
Price Category (Geiger) 7	+\$1268
Price Category (Geiger) 8	+\$1944
Price Category 9	+\$2411
Price Category (Geiger) 9	+\$2411
Price Category (Geiger) 10	+\$2774
Price Category 11	+\$3108
Price Category (Geiger) 11	+\$3108
Price Category (Geiger) 14	+\$4075
Price Category (Geiger) C	+\$394
Price Category D	+\$520
Price Category (Geiger) D	+\$520
Price Category (Geiger) E	+\$631
Price Category F	+\$757
Price Category (Geiger) F	+\$757
Price Category G	+\$1032
Price Category (Geiger) G	+\$1032
Price Category (Geiger) H	+\$1284
Price Category (Geiger) I	+\$1550
Price Category (Geiger) J	+\$1818

Brabo Sofa *continued*

Price Category (Geiger) K	+\$2084
Price Category (Geiger) L	+\$2352
Price Category (Geiger) M	+\$2618
Price Category (Geiger) N	+\$2886
Price Category (Geiger) O	+\$3152
Price Category (Geiger) P	+\$3412
Price Category (Geiger) Q	+\$3938
Price Category (Geiger) R	+\$5489
Price Category (Geiger) S	+\$5897
Price Category (Geiger) T	+\$6304
Price Category (Geiger) U	+\$6712
Price Category (Geiger) X	+\$7936
Price Category (Geiger) Y	+\$8344
Price Category (Geiger) Z	+\$8755
Price Category (Geiger) COL <input type="checkbox"/>	+\$389
Price Category (Geiger) COM <input type="checkbox"/>	+\$0

Step 5. Sling/Arm Leather

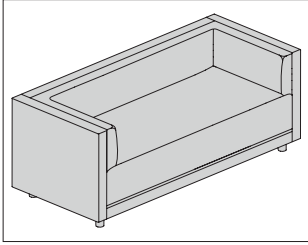
Price Category (Geiger) 10	+\$2774
Price Category 11	+\$2332
Price Category (Geiger) 11	+\$2332

Step 6. Base Finish

CHR chrome <input type="checkbox"/>	+\$0
SAC satin chrome <input type="checkbox"/>	+\$0

Step 7. Fire Retardancy

NOCAL no cal-133 required <input type="checkbox"/>	+\$0
-----------------------------------------------------------	------



Product Information

Description

This sofa is made of plywood with Dacron® on the seat and back. The arms consist of Dacron and polyfoam. The legs are solid ash or walnut.

Notes

Customer's Own Material (COM) and Customer's Own Leather (COL) require the following. See Order Information in Appendices for additional information.

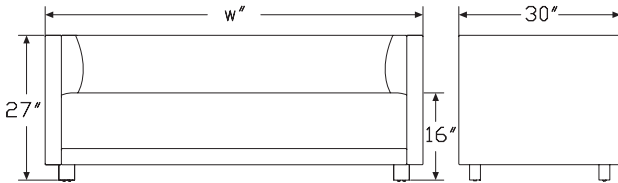
Width—COM—COL

72"—9 yards—162 square feet

84"—11 yards—198 square feet

96"—12½ yards—225 square feet

Dimensions



HermanMiller Ancillary—Sofas

Specification Information

Step 1.

SBRA A

Step 2. Size

-72 72" wide A

-84 84" wide A

-96 96" wide A

Prices for Steps 1-2.

SBRA-72	\$6802
SBRA-84	\$7115
SBRA-96	\$7681

Step 3. Wood Finish

Premium Veneer - Low Sheen

932	sundance anigre <input type="checkbox"/> A	+ \$0
933	caramel anigre <input type="checkbox"/> A	+ \$0
934	henna anigre <input type="checkbox"/> A	+ \$0
940	sundance cherry on maple <input type="checkbox"/> A	+ \$0
943	caramel cherry <input type="checkbox"/> A	+ \$0
946	cocoa cherry <input type="checkbox"/> A	+ \$0
956	cocoa sapele <input type="checkbox"/> A	+ \$0
962	toasted walnut, low sheen <input type="checkbox"/> A	+ \$0
963	charred walnut, low sheen <input type="checkbox"/> A	+ \$0
964	bronzed walnut, low sheen <input type="checkbox"/> A	+ \$0
965	smoked walnut, low sheen <input type="checkbox"/> A	+ \$0
966	coffee walnut, low sheen <input type="checkbox"/> A	+ \$0
967	smoked paldao, low sheen <input type="checkbox"/> A	+ \$0
969	warm paldao, low sheen <input type="checkbox"/> A	+ \$0
972	sundance walnut <input type="checkbox"/> A	+ \$0
977	chocolate ash, low sheen <input type="checkbox"/> A	+ \$0
98R	recograin rosewood <input type="checkbox"/> A	+ \$0
991	champagne ash <input type="checkbox"/> A	+ \$0
998	ebony ash <input type="checkbox"/> A	+ \$0
99A	recograin frosty ash <input type="checkbox"/> A	+ \$0
99R	recograin rosewood <input type="checkbox"/> A	+ \$0
99T	recograin teak <input type="checkbox"/> A	+ \$0
9A1	white ash, quarter cut, low sheen <input type="checkbox"/> A	+ \$0
9K1	rift oak, rift cut, low sheen <input type="checkbox"/> A	+ \$0
9K6	burnt oak, rift cut, low sheen <input type="checkbox"/> A	+ \$0
G2U	light brown walnut, low sheen <input type="checkbox"/> A	+ \$0
G40	dark brown walnut, low sheen <input type="checkbox"/> A	+ \$0

Rolled Arm Sofa *continued*

Premium Veneer - Matte

662	toasted walnut, matte sheen <input type="checkbox"/>	+\$0
663	charred walnut, matte sheen <input type="checkbox"/>	+\$0
664	bronzed walnut, matte sheen <input type="checkbox"/>	+\$0
665	smoked walnut, matte sheen <input type="checkbox"/>	+\$0
666	coffee walnut, matte sheen <input type="checkbox"/>	+\$0
667	smoked paldao, quarter cut, matte sheen <input type="checkbox"/>	+\$0
669	warm paldao, quarter cut, matte sheen <input type="checkbox"/>	+\$0
66A	recograin frosty ash <input type="checkbox"/>	+\$0
677	chocolate ash, matte sheen <input type="checkbox"/>	+\$0
68R	recograin rosewood <input type="checkbox"/>	+\$0
69A	recograin frosty ash <input type="checkbox"/>	+\$0
69R	recograin rosewood <input type="checkbox"/>	+\$0
69T	recograin teak <input type="checkbox"/>	+\$0
6A1	white ash <input type="checkbox"/>	+\$0
6K1	rift oak <input type="checkbox"/>	+\$0
6K6	burnt oak <input type="checkbox"/>	+\$0
ET	clear on ash <input type="checkbox"/>	+\$0
EU	oak on ash <input type="checkbox"/>	+\$0
EV	walnut on ash <input type="checkbox"/>	+\$0
GOU	natural walnut, flat cut, matte sheen <input type="checkbox"/>	+\$0

RecoGrain Veneer

68W	recograin walnut, flat cut, matte sheen <input type="checkbox"/>	+\$0
69W	recograin walnut, quarter cut, matte sheen <input type="checkbox"/>	+\$0

Recon Veneer -

98W	recograin walnut, flat cut, low sheen <input type="checkbox"/>	+\$0
99W	recograin walnut, quarter cut, low sheen <input type="checkbox"/>	+\$0

Step 4. Upholstery

For 72" wide (-72)

Price Category 11	+\$4662
Price Category (Geiger) 1	+\$0
Price Category 1	+\$0
Price Category (Geiger) 2	+\$523
Price Category 2	+\$523
Price Category (Geiger) 3	+\$656
Price Category 3	+\$656
Price Category (Geiger) 4	+\$802
Price Category 4	+\$935
Price Category (Geiger) 5	+\$1169
Price Category 5	+\$1169
Price Category (Geiger) 6	+\$1536
Price Category (Geiger) 7	+\$1903
Price Category (Geiger) 8	+\$2915

Price Category (Geiger) 9	+\$3616
Price Category 9	+\$3616
Price Category (Geiger) 10	+\$4160
Price Category (Geiger) 11	+\$4662
Price Category (Geiger) 14	+\$6108
Price Category (Geiger) C	+\$594
Price Category (Geiger) D	+\$974
Price Category D	+\$974
Price Category (Geiger) E	+\$1104
Price Category (Geiger) F	+\$1234
Price Category F	+\$1234
Price Category G	+\$1364
Price Category (Geiger) G	+\$1364
Price Category (Geiger) H	+\$1494
Price Category (Geiger) I	+\$2326
Price Category (Geiger) J	+\$1687
Price Category (Geiger) K	+\$1883
Price Category (Geiger) L	+\$2077
Price Category (Geiger) N	+\$2596
Price Category (Geiger) P	+\$2856
Price Category (Geiger) Q	+\$5532
Price Category (Geiger) R	+\$8232
Price Category (Geiger) U	+\$10068
Price Category (Geiger) X	+\$11903
Price Category (Geiger) COL <input type="checkbox"/>	+\$778
Price Category (Geiger) COM <input type="checkbox"/>	+\$0

For 84" wide (-84)

Price Category 11	+\$5698
Price Category (Geiger) 1	+\$0
Price Category 1	+\$0
Price Category (Geiger) 2	+\$640
Price Category 2	+\$640
Price Category (Geiger) 3	+\$803
Price Category 3	+\$803
Price Category (Geiger) 4	+\$979
Price Category 4	+\$1024
Price Category (Geiger) 5	+\$1428
Price Category 5	+\$1428
Price Category (Geiger) 6	+\$1877
Price Category (Geiger) 7	+\$2326
Price Category (Geiger) 8	+\$3563
Price Category (Geiger) 9	+\$4420
Price Category 9	+\$4420
Price Category (Geiger) 10	+\$5086
Price Category (Geiger) 11	+\$5698
Price Category (Geiger) 14	+\$7465

Rolled Arm Sofa *continued*

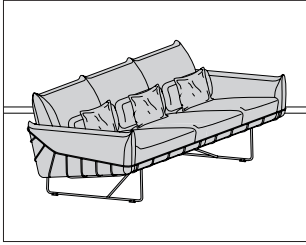
HermanMiller Ancillary--Sofas

Price Category (Geiger) C	+\$726
Price Category (Geiger) D	+\$1067
Price Category D	+\$1067
Price Category (Geiger) E	+\$1210
Price Category (Geiger) F	+\$1351
Price Category F	+\$1351
Price Category (Geiger) G	+\$1494
Price Category G	+\$1494
Price Category (Geiger) H	+\$1636
Price Category (Geiger) I	+\$2842
Price Category (Geiger) J	+\$1848
Price Category (Geiger) K	+\$2063
Price Category (Geiger) L	+\$2275
Price Category (Geiger) N	+\$2843
Price Category (Geiger) P	+\$3127
Price Category (Geiger) Q	+\$6056
Price Category (Geiger) R	+\$10062
Price Category (Geiger) U	+\$12305
Price Category (Geiger) X	+\$14549
Price Category (Geiger) COL <input type="checkbox"/> A	+\$950
Price Category (Geiger) COM <input type="checkbox"/> A	+\$0

Price Category F	+\$1469
Price Category (Geiger) G	+\$1624
Price Category G	+\$1624
Price Category (Geiger) H	+\$1778
Price Category (Geiger) I	+\$3230
Price Category (Geiger) J	+\$2009
Price Category (Geiger) K	+\$2242
Price Category (Geiger) L	+\$2472
Price Category (Geiger) N	+\$3090
Price Category (Geiger) P	+\$3400
Price Category (Geiger) Q	+\$6582
Price Category (Geiger) R	+\$11434
Price Category (Geiger) U	+\$13984
Price Category (Geiger) X	+\$16532
Price Category (Geiger) COL <input type="checkbox"/> A	+\$1080
Price Category (Geiger) COM <input type="checkbox"/> A	+\$0

Step 5. Fire Retardancy	
NOCAL no cal-133 required <input type="checkbox"/> A	+\$0

<i>For 96" wide (-96)</i>	
Price Category 11	+\$6475
Price Category (Geiger) 1	+\$0
Price Category 1	+\$0
Price Category (Geiger) 2	+\$727
Price Category 2	+\$727
Price Category (Geiger) 3	+\$913
Price Category 3	+\$913
Price Category (Geiger) 4	+\$1112
Price Category 4	+\$1112
Price Category (Geiger) 5	+\$1624
Price Category 5	+\$1624
Price Category (Geiger) 6	+\$2132
Price Category (Geiger) 7	+\$2644
Price Category (Geiger) 8	+\$4049
Price Category (Geiger) 9	+\$5022
Price Category 9	+\$5022
Price Category (Geiger) 10	+\$5779
Price Category (Geiger) 11	+\$6475
Price Category (Geiger) 14	+\$8483
Price Category (Geiger) C	+\$826
Price Category (Geiger) D	+\$1160
Price Category D	+\$1160
Price Category (Geiger) E	+\$1314
Price Category (Geiger) F	+\$1469



Product Information

Description

This sofa has contoured cushions on a separate wire frame structure, featuring SuperSeat™ technology. It is available in 2-seat or 3-seat configuration. Lumbar and throw pillows included.

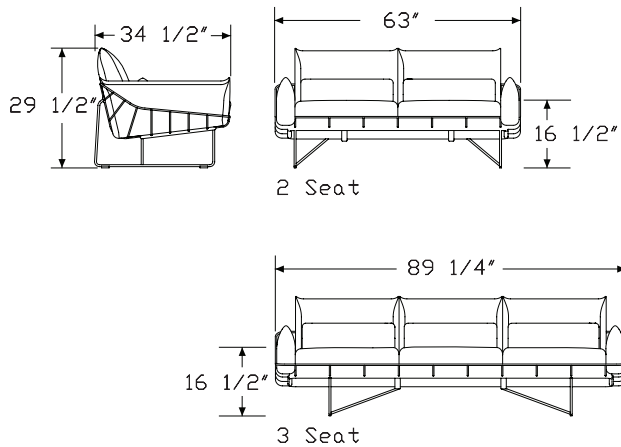
Notes

Fire retardant sofa meets CAL 133 requirements.

COM/COL requires 11 yards/198 square feet per 2-seat sofa, and 14 yards/252 square feet per 3-seat sofa.

Lumbar and throw pillows are shipped in same material specified for chair cushions.

Dimensions



Specification Information

Step 1.

BK1 A

Step 2. Size

1002 2-seat sofa A

1003 3-seat sofa A

Prices for Steps 1-2.

BK11002	\$7975
BK11003	\$9697

Step 3. Frame Finish

91	white (CP) <input type="checkbox"/> A	+\$0
BK	black <input type="checkbox"/> A	+\$0

Step 4. Fabric

For 2-seat sofa (1002)

Price Category 1	+\$0
Price Category 2	+\$247
Price Category 3	+\$371
Price Category 4	+\$618
Price Category (Geiger) 4	+\$618
Price Category 5	+\$865
Price Category (Geiger) 5	+\$865
Price Category (Geiger) 6	+\$1175
Price Category 7	+\$1546
Price Category (Geiger) 7	+\$1546
Price Category 8	+\$1978
Price Category (Geiger) 8	+\$1978
Price Category 9	+\$2411
Price Category 10	+\$2905
Price Category (Geiger) 10	+\$2905
Price Category 11	+\$3337
Price Category (Geiger) 11	+\$3337
Price Category 14	+\$4636
Price Category B	+\$338
Price Category C	+\$566
Price Category D	+\$776
Price Category E	+\$938
Price Category F	+\$1212
Price Category G	+\$1574
Price Category H	+\$1914
Price Category I	+\$2250
Price Category J	+\$2586
Price Category K	+\$2922

Price Category L	+\$3258
Price Category M	+\$3594
Price Category N	+\$3930
Price Category O	+\$4266
Price Category P	+\$4601
Price Category Q	+\$4954
Price Category R	+\$7042
Price Category S	+\$5693
Price Category T	+\$6062
Price Category U	+\$6432
Price Category X	+\$9582
Price Category Y	+\$10090
Price Category Z	+\$5107

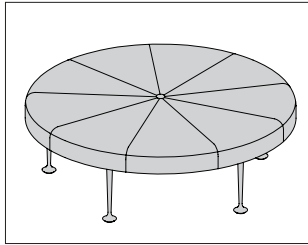
Price Category P	+\$5856
Price Category Q	+\$6305
Price Category R	+\$8963
Price Category S	+\$7246
Price Category T	+\$7716
Price Category U	+\$8186
Price Category X	+\$12196
Price Category Y	+\$12842
Price Category Z	+\$6566

Step 5. Fire Retardancy

NOCAL not fire retardant <input type="checkbox"/>	+\$0
133 fire retardant <input type="checkbox"/>	+\$488

For 3-seat sofa (1003)

Price Category 1	+\$0
Price Category 2	+\$310
Price Category 3	+\$433
Price Category 4	+\$742
Price Category (Geiger) 4	+\$742
Price Category 5	+\$1051
Price Category (Geiger) 5	+\$1051
Price Category (Geiger) 6	+\$1360
Price Category 7	+\$1854
Price Category (Geiger) 7	+\$1854
Price Category 8	+\$1978
Price Category (Geiger) 8	+\$2411
Price Category 9	+\$2905
Price Category 10	+\$3461
Price Category (Geiger) 10	+\$3461
Price Category 11	+\$4018
Price Category (Geiger) 11	+\$4018
Price Category 14	+\$5624
Price Category B	+\$431
Price Category C	+\$721
Price Category D	+\$988
Price Category E	+\$1194
Price Category F	+\$1543
Price Category G	+\$2004
Price Category H	+\$2437
Price Category I	+\$2864
Price Category J	+\$3292
Price Category K	+\$3719
Price Category L	+\$4146
Price Category M	+\$4574
Price Category N	+\$5002
Price Category O	+\$5429

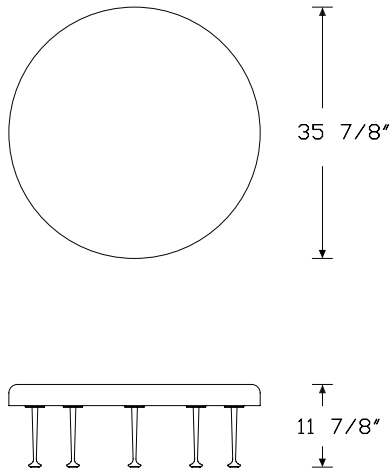


Product Information

Description

This ottoman is upholstered in either Jacobs Coat or a coordinated trio of Hallingdal colors. Legs are polished aluminum and have nonadjustable nylon glides.

Dimensions



Specification Information

Step 1.

66332 [A] \$2973

Step 2. Base Finish

L polished aluminum [A] +\$0

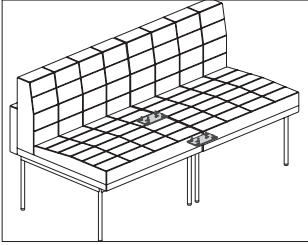
Step 3. Fabric

Price Category 7 +\$840

Price Category L +\$840

Tuxedo Ganging Plate

STGP



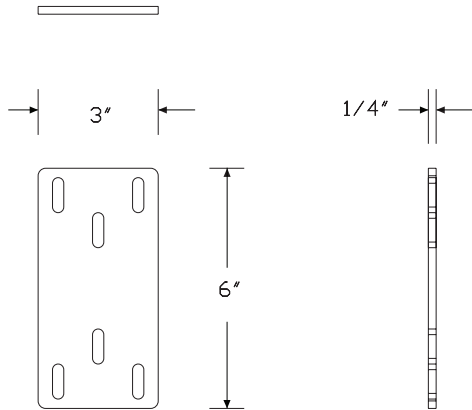
Product Information

Description
This ganging plate kit includes 2 metal plates and attachment hardware.

Dimensions

Specification Information

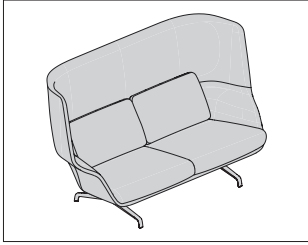
Step 1.
STGP A \$112



HermanMiller Ancillary--Sofas

Striad High Back Sofa

CCL60



Product Information

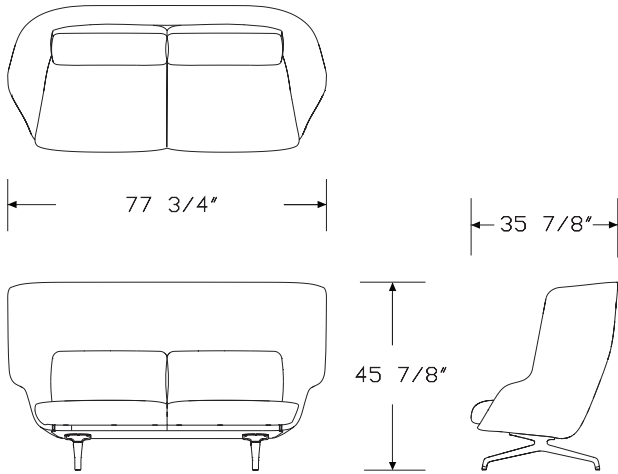
Description

This high back sofa has a choice of 4-leg or wire base. Outer shell provides rigidity and support. Sofa comes with 2 back cushions and 2 seat cushions (attached). Cushions are constructed with dual-density foam.

Notes

Customer's Own Material (COM) requires 14 yards (8 for shell, 6 for cushions). See Order Information in appendices.

Dimensions



Specification Information

Step 1.

CCL600 [A]

Step 2. Configuration

2 2.5 seat sofa [A]

Step 3. Base Type

4 four leg [A]

W wire [A]

Prices for Steps 1-3.

	4	W
CCL600 2	\$8786	9013

Step 4. Base Finish

For four leg (4)

91	white (CP) [A]	+\$0
BK	black [A]	+\$0
PA	polished aluminum [A]	+\$0

For wire (W)

47	trivalent chrome [A]	+\$0
91	white (CP) [A]	+\$0
BK	black [A]	+\$0

HermanMiller Ancillary-Sofas

Striad High Back Sofa *continued*

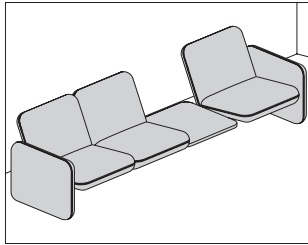
Step 5. Shell Upholstery	
Price Category 1	+\$0
Price Category 2	+\$85
Price Category 3	+\$166
Price Category (Geiger) 3	+\$166
Price Category 4	+\$316
Price Category (Geiger) 4	+\$316
Price Category 5	+\$529
Price Category (Geiger) 5	+\$529
Price Category (Geiger) 6	+\$743
Price Category 7	+\$998
Price Category (Geiger) 7	+\$998
Price Category 8	+\$1312
Price Category 9	+\$1645
Price Category 10	+\$1979
Price Category (Geiger) 10	+\$1979
Price Category 11	+\$2312
Price Category (Geiger) 11	+\$2312
Price Category B	+\$290
Price Category (Geiger) C	+\$396
Price Category D	+\$500
Price Category G	+\$1013
Price Category H	+\$1231
Price Category I	+\$1446
Price Category J	+\$1662
Price Category K	+\$2453
Price Category T	+\$4090

Step 6. Cushion Upholstery	
Price Category 1	+\$0
Price Category 2	+\$64
Price Category 3	+\$125
Price Category (Geiger) 3	+\$125
Price Category 4	+\$236
Price Category (Geiger) 4	+\$236
Price Category 5	+\$397
Price Category (Geiger) 5	+\$397
Price Category (Geiger) 6	+\$558
Price Category 7	+\$749
Price Category (Geiger) 7	+\$749
Price Category 8	+\$984
Price Category 9	+\$1234
Price Category 10	+\$1484
Price Category (Geiger) 10	+\$1484
Price Category 11	+\$1734
Price Category (Geiger) 11	+\$1734
Price Category B	+\$217
Price Category (Geiger) C	+\$298
Price Category D	+\$376
Price Category G	+\$760
Price Category H	+\$923
Price Category I	+\$1085
Price Category J	+\$1247
Price Category K	+\$1840

Step 7. Fire Retardancy	
NFR not fire retardant <input type="checkbox"/> A	+\$0

Wilkes Modular Sofa Group with Table

MG123
MG124
MG125
MG126



Product Information

Description

This modular sofa has upholstered molded-foam seat, back and arms attached to a steel beam with 1 or 2 tables in several configurations. Arms are outboard on sofas with 3 or 4 seats and tables and inboard of the end positions on sofas with 5 or 6 seats and tables.

Notes

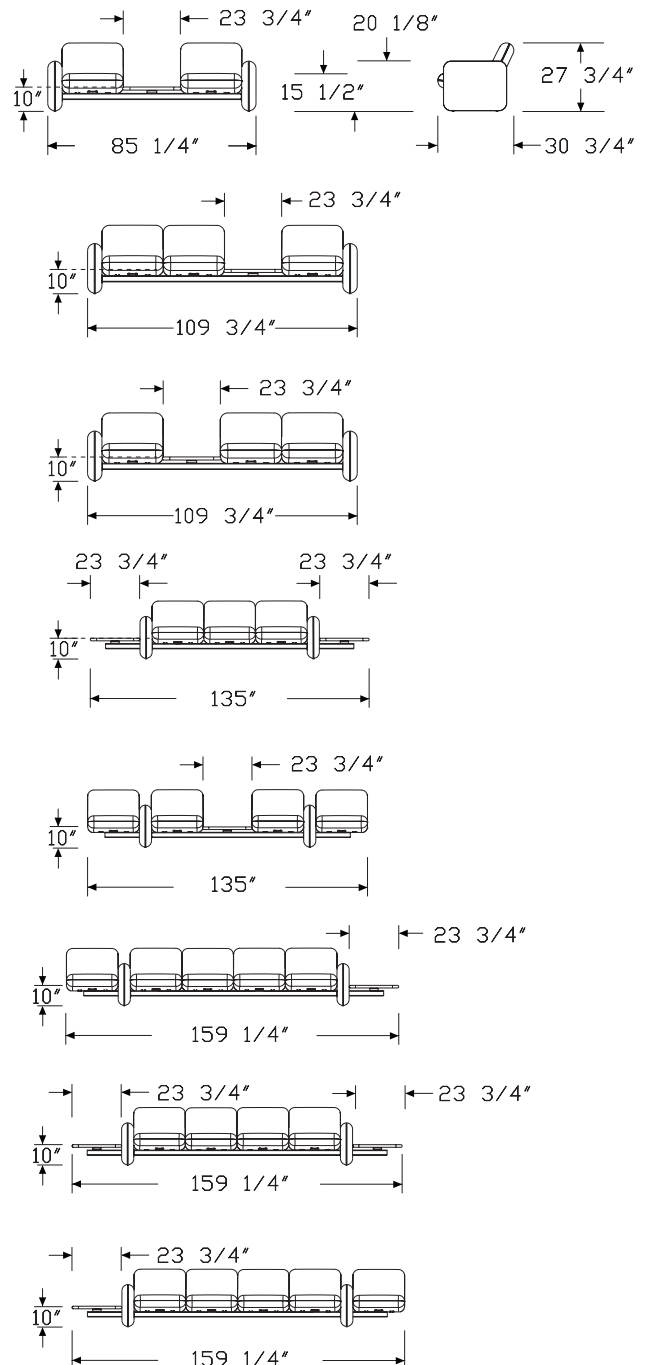
Specify left and right from a seated viewpoint.

Customer's Own Material (COM) requires the following yardage:

Configuration—Yards

- MG123T—9¼
- MG124L—12½
- MG124R—12½
- MG125M—12½
- MG125T—15¾
- MG126L—19
- MG126M—15¾
- MG126R—19

Dimensions



Wilkes Modular Sofa Group with
Table *continued*

Specification Information

Step 1.

MG12 A

Step 2. Seats, Tables

3T	one seat left, table middle, one seat right	<input type="checkbox"/> A
4L	two seat left, table, one seat right	<input type="checkbox"/> A
4R	two seats right, table, one seat left	<input type="checkbox"/> A
5M	one table left, three seats, one table right	<input type="checkbox"/> A
5T	two seats right, table middle, two seats left	<input type="checkbox"/> A
6L	five seats left, table right	<input type="checkbox"/> A
6M	one table left, four seats, one table right	<input type="checkbox"/> A
6R	five seats right, table left	<input type="checkbox"/> A

Step 3. Fire Retardancy

NFR	not fire retardant	<input type="checkbox"/> A
CRB	Crib 5 compliant	<input type="checkbox"/> A

Prices for Steps 1-3.

MG123T	NFR	\$4539
	CRB	\$4539
MG124L	NFR	\$5599
	CRB	\$5599
MG124R	NFR	\$5599
	CRB	\$5599
MG125M	NFR	\$6543
	CRB	\$6543
MG125T	NFR	\$6365
	CRB	\$6365
MG126L	NFR	\$7427
	CRB	\$7427
MG126M	NFR	\$7544
	CRB	\$7544
MG126R	NFR	\$7427
	CRB	\$7427

Step 4. Upholstery

For one seat left, table middle, one seat right (3T) with not fire retardant (NFR)

Price Category (Geiger) COM	<input type="checkbox"/> A	+\$0
Price Category 2		+\$80
Price Category 4		+\$359
Price Category 5		+\$617
Price Category 7		+\$1182
Price Category (Geiger) 7		+\$1182
Price Category 8		+\$1615
Price Category 12		+\$3169
Price Category J		+\$1892
Price Category K		+\$2129

For two seat left, table, one seat right (4L) or two seats right, table, one seat left (4R) with not fire retardant (NFR)

Price Category (Geiger) COM	<input type="checkbox"/> A	+\$0
Price Category 2		+\$107
Price Category 4		+\$479
Price Category 5		+\$822
Price Category 7		+\$1576
Price Category (Geiger) 7		+\$1576
Price Category 8		+\$2184
Price Category 12		+\$4225
Price Category J		+\$2547
Price Category K		+\$2868

For two seats right, table middle, two seats left (5T) with not fire retardant (NFR)

Price Category (Geiger) COM	<input type="checkbox"/> A	+\$0
Price Category 2		+\$133
Price Category 4		+\$598
Price Category 5		+\$1028
Price Category 7		+\$1969
Price Category (Geiger) 7		+\$1969
Price Category 8		+\$2751
Price Category 12		+\$5281
Price Category J		+\$3204
Price Category K		+\$3607

Wilkes Modular Sofa Group with
Table *continued*

For one table left, three seats, one table right (5M) with not fire retardant (NFR)

Price Category (Geiger) COM A	+\$0
Price Category 2	+\$107
Price Category 4	+\$479
Price Category 5	+\$822
Price Category 7	+\$1576
Price Category (Geiger) 7	+\$1576
Price Category 8	+\$2184
Price Category 12	+\$4225
Price Category J	+\$2547
Price Category K	+\$2868

For five seats left, table right (6L) or five seats right, table left (6R) with not fire retardant (NFR)

Price Category (Geiger) COM A	+\$0
Price Category 2	+\$161
Price Category 4	+\$718
Price Category 5	+\$1234
Price Category 7	+\$2363
Price Category (Geiger) 7	+\$2363
Price Category 8	+\$3318
Price Category 12	+\$6337
Price Category J	+\$3860
Price Category K	+\$4346

For one table left, four seats, one table right (6M) with not fire retardant (NFR)

Price Category (Geiger) COM A	+\$0
Price Category 2	+\$133
Price Category 4	+\$598
Price Category 5	+\$1028
Price Category 7	+\$1969
Price Category (Geiger) 7	+\$1969
Price Category 8	+\$3318
Price Category 12	+\$5281
Price Category J	+\$3204
Price Category K	+\$3607

For one seat left, table middle, one seat right (3T) with Crib 5 compliant (CRB)

Price Category 5	+\$617
Price Category 7	+\$1182
Price Category 12	+\$3169
Price Category J	+\$1892
Price Category K	+\$2129

For two seat left, table, one seat right (4L) or two seats right, table, one seat left (4R) with Crib 5 compliant (CRB)

Price Category (Geiger) COM A	+\$0
Price Category 5	+\$822
Price Category 7	+\$1576
Price Category 12	+\$4225
Price Category J	+\$2547
Price Category K	+\$2868

For two seats right, table middle, two seats left (5T) with Crib 5 compliant (CRB)

Price Category (Geiger) COM A	+\$0
Price Category 5	+\$1028
Price Category 7	+\$1969
Price Category 12	+\$5281
Price Category J	+\$3204
Price Category K	+\$3607

For one table left, three seats, one table right (5M) with Crib 5 compliant (CRB)

Price Category (Geiger) COM A	+\$0
Price Category 5	+\$822
Price Category 7	+\$1576
Price Category 12	+\$4225
Price Category J	+\$2547
Price Category K	+\$2868

For five seats left, table right (6L) or five seats right, table left (6R) with Crib 5 compliant (CRB)

Price Category (Geiger) COM A	+\$0
Price Category 5	+\$1234
Price Category 7	+\$2363
Price Category 12	+\$6337
Price Category J	+\$3860
Price Category K	+\$4346

For one table left, four seats, one table right (6M) with Crib 5 compliant (CRB)

Price Category (Geiger) COM A	+\$0
Price Category 5	+\$1028
Price Category 7	+\$1969
Price Category 12	+\$5281
Price Category J	+\$3204
Price Category K	+\$3607

HermanMiller Ancillary-Sofas

Wilkes Modular Sofa Group with
Table *continued*

Step 5. Tabletop Material		
E	laminate top, exposed plywood edge <input type="checkbox"/> A	+\$100
L	laminate top, laminate edge <input type="checkbox"/> A	+\$0
S	solid wood top <input type="checkbox"/> A	+\$300
W	veneer top <input type="checkbox"/> A	+\$250

Step 6. Material		
------------------	--	--

<i>For veneer top (W)</i>		
A2	white ash <input type="checkbox"/> A	+\$0
EN	ebony <input type="checkbox"/> A	+\$0
OU	walnut <input type="checkbox"/> A	+\$0
WHN	natural white oak <input type="checkbox"/> A	+\$0

<i>For solid wood top (S)</i>		
A2	white ash <input type="checkbox"/> A	+\$0
EN	ebony <input type="checkbox"/> A	+\$0
OU	walnut <input type="checkbox"/> A	+\$0
WHN	natural white oak <input type="checkbox"/> A	+\$0

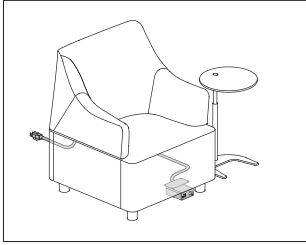
<i>For laminate top, laminate edge (L)</i>		
91	white, black bullnose edge <input type="checkbox"/> A	+\$0
BK	black, black bullnose edge <input type="checkbox"/> A	+\$0

<i>For laminate top, exposed plywood edge (E)</i>		
91E	white, exposed plywood edge <input type="checkbox"/> A	+\$0
BKE	black, exposed plywood edge <input type="checkbox"/> A	+\$0

HermanMiller Ancillary--Sofas

Single Power Unit/Housing

PX501.



Product Information

Description

This electrical distributor plugs directly into floor, wall, or ceiling drop outlets. Each module configuration presents the same visual appearance. Cable clips and attachment hardware included. Product is UL listed.

Notes

Cable clips for cord management are intended for a one-time installation.

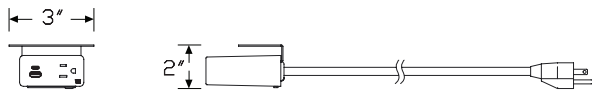
Clamp versions can be reoriented in the field by a technician.

Power modules are 15-amp single circuit AC with tamper-resistant (TR) receptacles.

USB ports provide a combined 20 watts of power to charge most devices and tablets at full speed. USB-C port provides 15 watts of power and USB-A port provides 10 watts of power individually. If using both USB-C and USB-A ports, USB-C remains at 15 watts and USB-A drops to 5 watts.

Cord color is predetermined. For white (91) finish cords will be white. For graphite (G1) finish cords will be black.

Dimensions



Specification Information

Step 1.

PX501. [A]

Step 2. Power Type

L 1 simplex receptacle, 2 powered USB A/C Combo [A]

K 2 simplex receptacles [A]

Step 3. Cord/Conduit Length

03 3' cord/conduit [A]

06 6' cord/conduit [A]

10 10' cord/conduit [A]

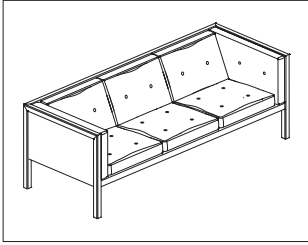
Prices for Steps 1-3.

	03	06	10
PX501. L	\$370	370	370
K	\$208	208	208

Step 4. Finish

91	white (CP) [A]		+\$0
BK	black [A]		+\$0

HermanMiller Ancillary-Sofas



Product Information

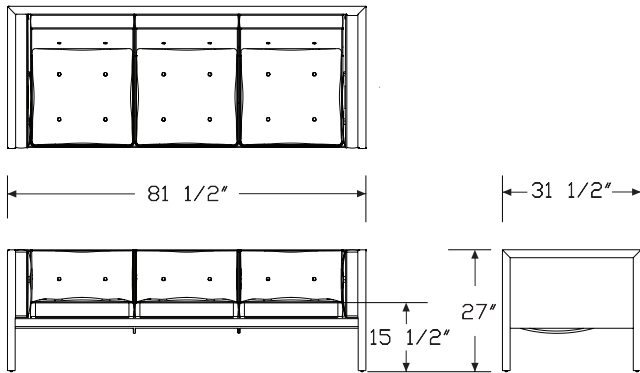
Description

This sofa has 3 seat cushions, 3 back cushions and 2 side cushions. Internal cushions are high-resiliency foam with Dacron® wrap. The outer frame is exposed hardwood in oak, walnut or ebony finish. The internal frame is steel reinforced solid hardwood.

Notes

External wood frame is natural hardwood. Similar products ordered in multiples or dissimilar products ordered separately should be expected to have variation in both grain and color characteristics; no two products will look exactly alike.

Dimensions



HermanMiller Ancillary--Sofas

Specification Information

Step 1.

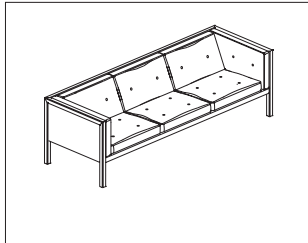
NCU2 [A] \$7056

Step 2. Frame Finish

EN ebony [A] +\$0
OU walnut [A] +\$100
WHN natural white oak [A] +\$0

Step 3. Upholstery

Price Category 3 +\$181
 Price Category 7 +\$1090
 Price Category 8 +\$1433
 Price Category 11 +\$4600
 Price Category 12 +\$5267
 Price Category C +\$413
 Price Category D +\$500
 Price Category L +\$2757



Product Information

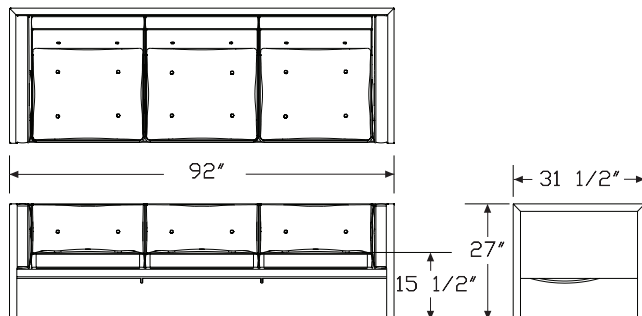
Description

This sofa has 3 seat cushions, 3 back cushions and 2 side cushions. Internal cushions are high-resiliency foam with Dacron® wrap. The outer frame is exposed hardwood in oak, walnut or ebony finish. The internal frame is steel reinforced solid hardwood.

Notes

External wood frame is natural hardwood. Similar products ordered in multiples or dissimilar products ordered separately should be expected to have variation in both grain and color characteristics; no two products will look exactly alike.

Dimensions



Specification Information

Step 1.

NCU3 A \$7717

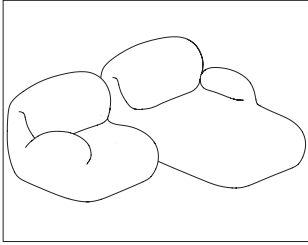
Step 2. Frame Finish

EN ebony A +\$0
OU walnut A +\$100
WHN natural white oak A +\$0

Step 3. Upholstery

Price Category 3 +\$217
 Price Category 7 +\$1308
 Price Category 8 +\$1719
 Price Category 11 +\$5000
 Price Category 12 +\$5728
 Price Category C +\$496
 Price Category D +\$600
 Price Category L +\$3131

Luva Modular Sofa, 2 Seat Sectional GLR45



Product Information

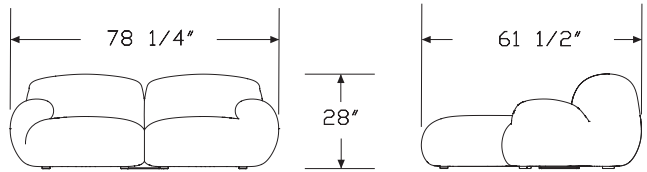
Description

This 2-seat modular sofa sectional has a steel frame construction with an articulating back rest. High-resilience foam provides a comfortable, plush sit. Sectional sofa offers a sit height of 16" and a depth of 23 1/2". Chaise and single 1-arm seat are available in left-arm/right-arm or right-arm/left-arm configurations. Seats have black glides. Ganging hardware included.

Notes

For sectional with chaise left arm, single seat right arm (GLR450LR) configuration, arms are determined from the seated position.
 For sectional with chaise right arm, single seat left arm (GLR450RL) configuration, arms are determined from the seated position.
 Limited textile selection available. See application chart in appendices.

Dimensions



HermanMiller Ancillary--Sofas

Specification Information

Step 1.

GLR4 A

Step 2. Configuration

50LR 2 seat, chaise left arm, single seat right arm A
50RL 2 seat, chaise right arm, single seat left arm A

Prices for Steps 1-2.

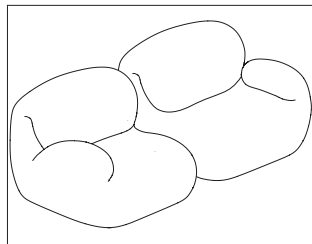
GLR450LR \$9232
GLR450RL \$9232

Step 3. Fire Retardancy

NFR not fire retardant A +\$0

Step 4. Upholstery

Price Category 5 +\$894
 Price Category 8 +\$2099
 Price Category 11 +\$3639
 Price Category D +\$864



Product Information

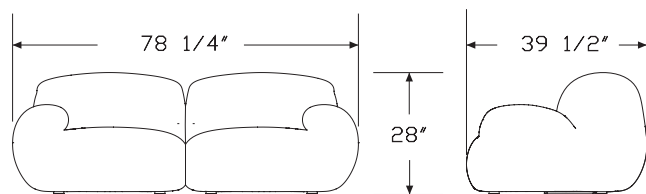
Description

This 2-seat modular sofa has a steel frame construction with an articulating back rest. High-resilience foam provides a comfortable, plush sit. Sofa offers a sit height of 16" and a depth of 23½". Seats have black glides. Ganging hardware included.

Notes

For sofa, single seat 1-arm modules are determined from the seated position. Limited textile selection available. See application chart in appendices.

Dimensions



Specification Information

Step 1.

GLR4 [A]

Step 2. Configuration

00LR 2 seats, left arm, right arm [A]

Prices for Steps 1-2.

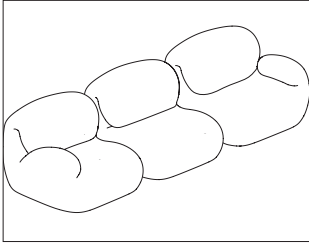
GLR400LR \$8083

Step 3. Fire Retardancy

NFR not fire retardant [A] +\$0

Step 4. Upholstery

Price Category 5 +\$780
 Price Category 8 +\$1820
 Price Category 11 +\$3150
 Price Category D +\$750



Product Information

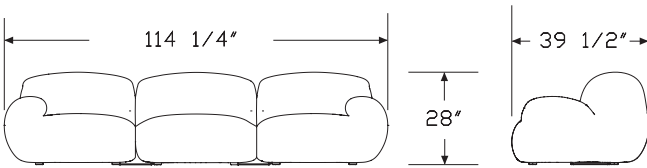
Description

This 3-seat modular sofa has a steel frame construction with an articulating back rest. High-resilience foam provides a comfortable, plush sit. Sofa offers a sit height of 16" and a depth of 23 1/2". Seats have black glides. Ganging hardware included.

Notes

For sofa, single seat 1-arm modules are determined from the seated position. Limited textile selection available. See application chart in appendices.

Dimensions



HermanMiller Ancillary--Sofas

Specification Information

Step 1.

GLR5 A

Step 2. Configuration

00LNR 3 seats, left arm, armless, right arm A

Prices for Steps 1-2.

GLR500LNR \$11452

Step 3. Fire Retardancy

NFR not fire retardant A +\$0

Step 4. Upholstery

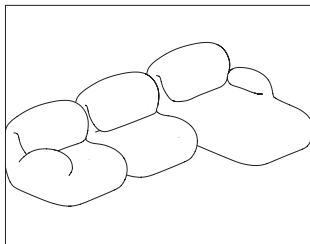
Price Category 5 +\$1170

Price Category 8 +\$2730

Price Category 11 +\$4725

Price Category D +\$1125

Luva Modular Sofa, 3 Seat Sectional GLR55



Product Information

Description

This 3-seat modular sofa sectional has a steel frame construction with an articulating back rest. High-resilience foam provides a comfortable, plush sit. Sectional sofa offers a sit height of 16" and a depth of 23½". Chaise and single 1-arm seat are available in left-arm/right-arm or right-arm/left-arm configurations. Seats have black glides. Ganging hardware included.

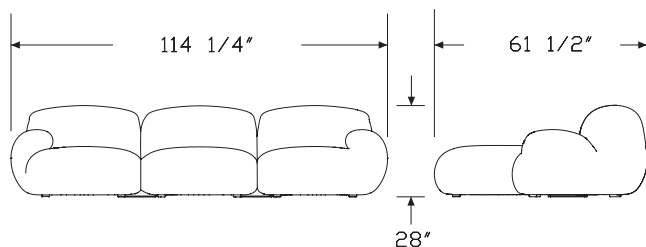
Notes

For sectional with chaise left arm, single seat right arm (GLR550LNR) configuration, arms are determined from the seated position.

For sectional with chaise right arm, single seat left arm (GLR550RNL) configuration, arms are determined from the seated position.

Limited textile selection available. See application chart in appendices.

Dimensions



Specification Information

Step 1.

GLR5 A

Step 2. Configuration

50LNR 3 seats, chaise left arm, armless, single seat right arm A

50RNL 3 seats, chaise right arm, armless, single seat left arm A

Prices for Steps 1-2.

GLR550LNR \$12601

GLR550RNL \$12601

Step 3. Fire Retardancy

NFR not fire retardant A +\$0

Step 4. Upholstery

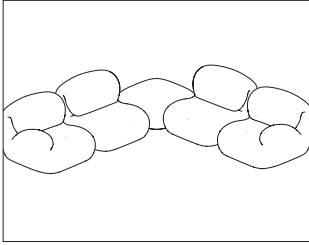
Price Category 5 +\$1284

Price Category 8 +\$3009

Price Category 11 +\$5214

Price Category D +\$1239

Luva Modular Sofa, Corner Sectional GLR60



Product Information

Description

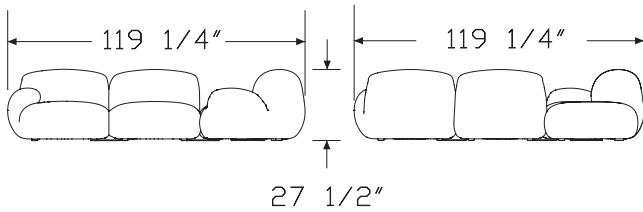
This corner modular sofa sectional has a steel frame construction with articulating back rests. High-resilience foam provides a comfortable, plush sit. Sectional offers a sit height of 16" and a depth of 23½". Seats have black glides. Ganging hardware included.

Notes

For sectional, single seat 1-arm modules are determined from the seated position.

Limited textile selection available. See application chart in appendices.

Dimensions



HermanMiller Ancillary--Sofas

Specification Information

Step 1.

GLR6 A

Step 2. Configuration

00C single seat left arm, two armless, ottoman, single seat right arm A

Prices for Steps 1-2.

GLR600C \$17036

Step 3. Fire Retardancy

NFR not fire retardant A +\$0

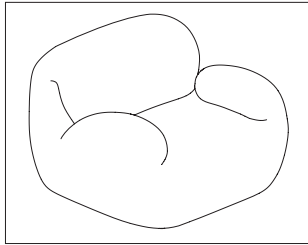
Step 4. Upholstery

Price Category 5 +\$1794

Price Category 8 +\$4374

Price Category 11 +\$7334

Price Category D +\$1684



Product Information

Description

This single modular seat has a steel frame construction with an articulating back rest. High-resilience foam provides a comfortable, plush sit. Sectional offers a sit height of 16" and a depth of 23½". Seat is available with no arms, 1 arm left or right, or as an armchair. Seat has black glides.

Notes

For single seat left arm (GLR101L) configuration, left arm is determined from the seated position.

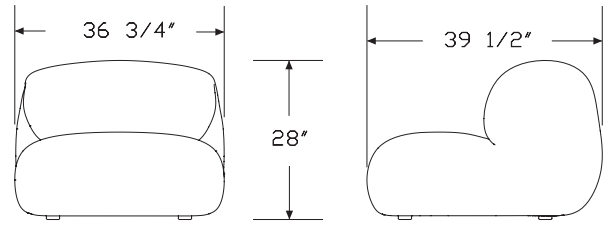
For single seat right arm (GLR101R) configuration, right arm is determined from the seated position.

Order ganging hardware (GLR701G) separately if using with other Luva Modular Sofa components.

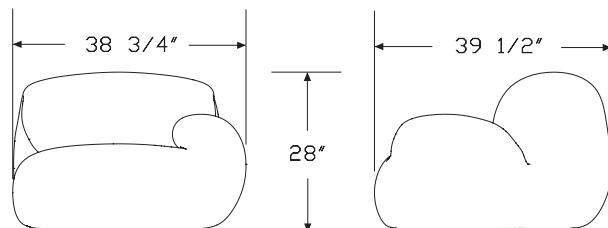
Armchair does not gang to other Luva Modular Sofa components.

Limited textile selection available. See application chart in appendices.

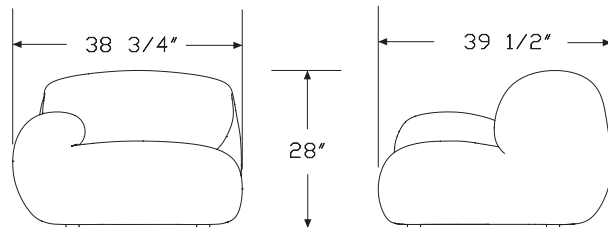
Dimensions



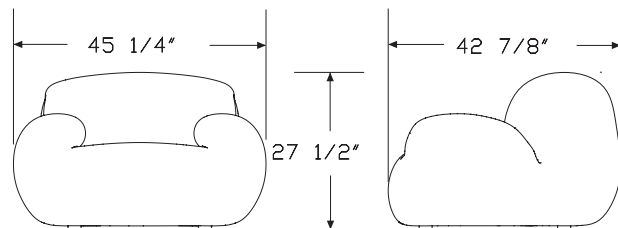
Single Seat Armless (01N)



Single Seat Left Arm (01L)



Single Seat Right Arm (01R)



Single Seat Armchair (01T)

Luva Modular Sofa, Single Seat

continued

Specification Information

Step 1.

GLR1

Step 2. Configuration

01N armless

01L left arm

01R right arm

01T armchair

Prices for Steps 1-2.

GLR101N \$3320

GLR101L \$4017

GLR101R \$4017

GLR101T \$4583

Step 3. Fire Retardancy

NFR not fire retardant +\$0

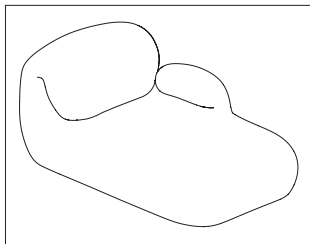
Step 4. Upholstery

Price Category 5 +\$390

Price Category 8 +\$910

Price Category 11 +\$1575

Price Category D +\$375



Product Information

Description

This chaise modular seat has a steel frame construction with an articulating back rest. High-resilience foam provides a comfortable, plush sit. Chaise offers a sit height of 16" and a depth of 23½". Chaise is available with left-arm or right-arm configuration. Seat has black glides.

Notes

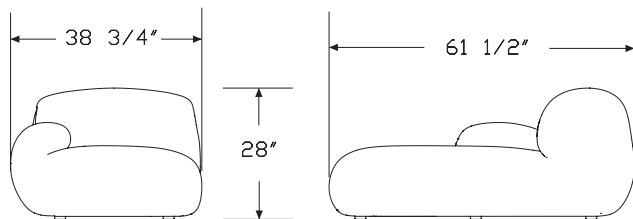
For chaise left arm (GLR201L) configuration, left arm is determined from the seated position.

For chaise right arm (GLR201R) configuration, right arm is determined from the seated position.

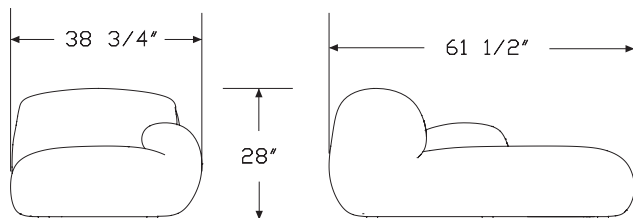
Order ganging hardware (GLR701G) separately if using with other Luva Modular Sofa components.

Limited textile selection available. See application chart in appendices.

Dimensions



Chaise Right Arm (01R)



Chaise Left Arm (01L)

Specification Information

Step 1.

GLR2 A

Step 2. Configuration

01L left arm A

01R right arm A

Prices for Steps 1-2.

GLR201L \$5166

GLR201R \$5166

Step 3. Fire Retardancy

NFR not fire retardant A +\$0

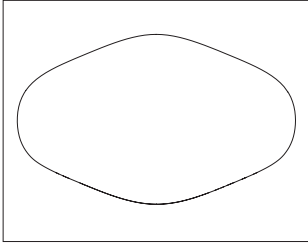
Step 4. Upholstery

Price Category 5 +\$504

Price Category 8 +\$1189

Price Category 11 +\$2064

Price Category D +\$489



Product Information

Description

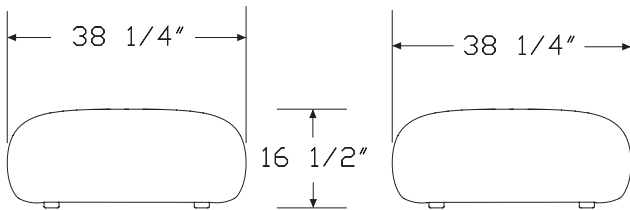
This ottoman has a steel frame construction and high-resilience, fire retardant-free foam. Can be combined with other Luva Modular Sofa components to create larger configurations. Ottoman has black glides.

Notes

Order ganging hardware (GLR701G) separately if using with other Luva Modular Sofa components.

Limited textile selection available. See application chart in appendices.

Dimensions



HermanMiller Ancillary--Sofas

Specification Information

Step 1.

GLR3 A

Step 2. Configuration

01M ottoman A

Prices for Steps 1-2.

GLR301M \$2166

Step 3. Fire Retardancy

NFR not fire retardant A +\$0

Step 4. Upholstery

Price Category 5 +\$234

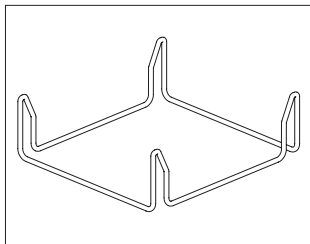
Price Category 8 +\$834

Price Category 11 +\$1034

Price Category D +\$184

Luva Modular Sofa, Ganging Hardware

GLR70



Product Information

Description

This metal ganging hardware is used to connect individual Luva Modular Sofa components into larger configurations. Hardware is not needed for the Luva Single Seat Armchair. Finish is black.

Notes

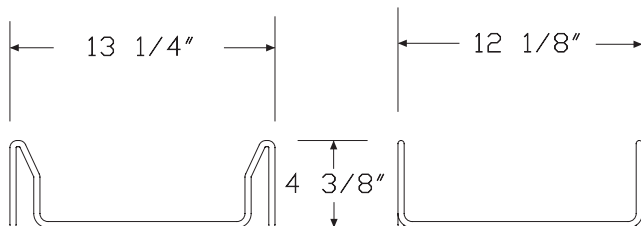
Armchair does not gang to other Luva Modular Sofa components.

Ganging hardware is recommended to secure Luva Modular Sofa components together and to prevent movement.

Order the following Luva Modular Sofa components separately to create desired sofa and/or sectional configurations:

- Luva Modular Sofa, Single Seat (GLR101N, GLR101L, GLR101R, GLR101T)
- Luva Modular Sofa, Chaise (GLR201L, GLR201R)
- Luva Modular Sofa, Ottoman (GLR301M)

Dimensions



Specification Information

Step 1.

GLR7 A

Step 2. Configuration

01G ganging hardware A

Prices for Steps 1-2.

GLR701G \$49

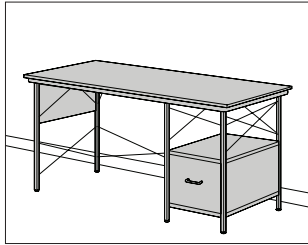
Desks

Tables

Occasional Tables

Eames® Desk Unit

EDU10.
EDU20.
EDU21.

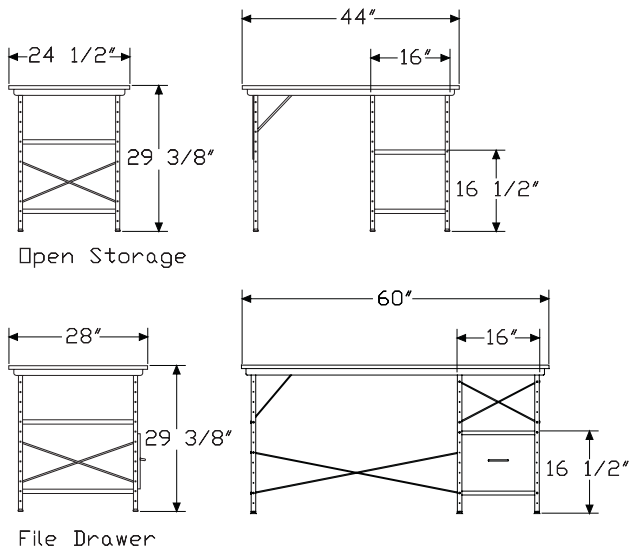


Product Information

Description

This desk unit has a powder-coated or zinc-coated steel frame, a birch top, painted side panels, with either open storage or a birch-front file drawer on the left or right side. It has adjustable glides.

Dimensions



Specification Information

Step 1.

EDU A

Step 2. File Drawer

- 10. open storage A
- 20. right-hand file drawer A
- 21. left-hand file drawer A

Prices for Steps 1-2.

EDU10.	\$2934
EDU20.	\$3273
EDU21.	\$3273

Step 3. Frame Finish

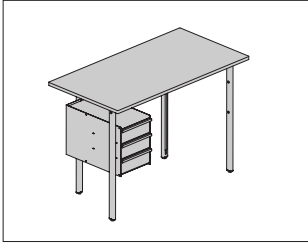
ZC zinc plated A +\$0

Step 4. Surface Finish

NC natural color A +\$0
 W9 multi-color A +\$0

Mode Desk

APN22
APS22



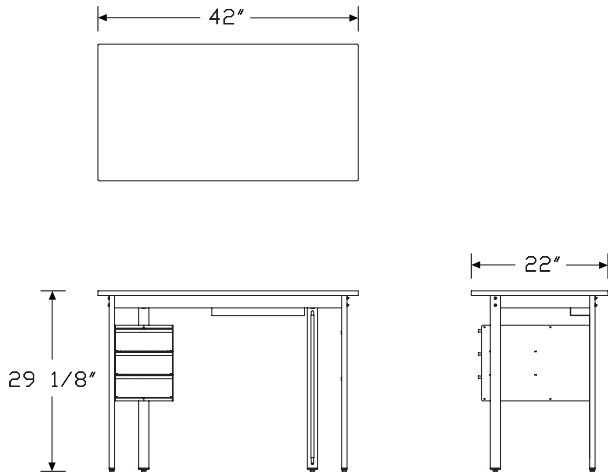
HermanMiller Ancillary-Desks

Product Information

Description

This small space desk solution comes with storage and a pop color palette. Desk is 22"D×42"W with a laminate top and has an aluminum base with black column, black feet, and glides. Options include top finish color, cabinet color and cabinet pull type.

Dimensions



Specification Information

Step 1.

AP

Step 2. Storage Option

- S with storage
- N no storage

Step 3. Depth/Width

2242 22" deep x 42" wide

Step 4. Surface Material

- L high-pressure laminate

Prices for Steps 1-4.

APS2242 L \$1780

APN2242 L \$1186

Step 5. Top Finish

- BKM black +\$0
- WL warm stone (CP) +\$0
- LBW blue grey +\$0
- LBY pesto +\$0
- LBZ deep sea +\$0

Step 6. Base Finish

- BK black column, black foot +\$0

Step 7. Glides

- G glides +\$0

Step 8. Cabinet Color

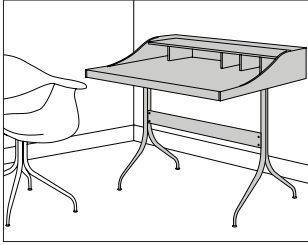
For with storage (S)

- BK black +\$0
- WL warm stone (CP) +\$0
- DB3 glacier +\$0
- DN2 nightfall +\$0
- OLF olive +\$0
- ZP terra cotta +\$0

Step 9. Pull Type

For with storage (S)

- BK black +\$0
- OU walnut +\$100



Product Information

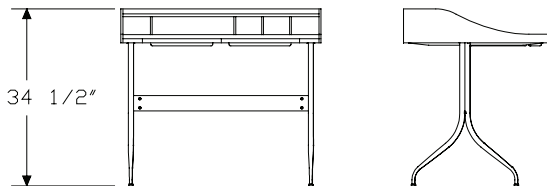
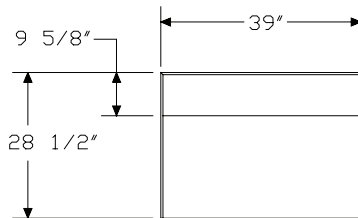
Description

This 34½"-high desk has a white-laminate top surface, solid walnut side and back panels, 4 hardwood dividers, and 2 black-plastic pencil drawers. The base is chrome-finished steel tubing with a solid walnut stretcher and adjustable glides. The desk also has a grommet for cable management. Shipped knocked down.

Notes

Hardwood divider colors include 2 orange, 1 spa blue, and 1 chartreuse.

Dimensions



Specification Information

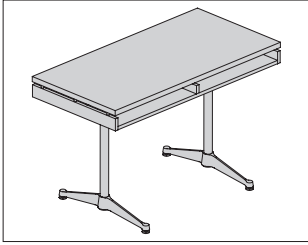
Step 1.

NS5850 A

\$4308

Eames® 2500 Series Executive Desk

ET22R
ET87R



HermanMiller Ancillary-Desks

Product Information

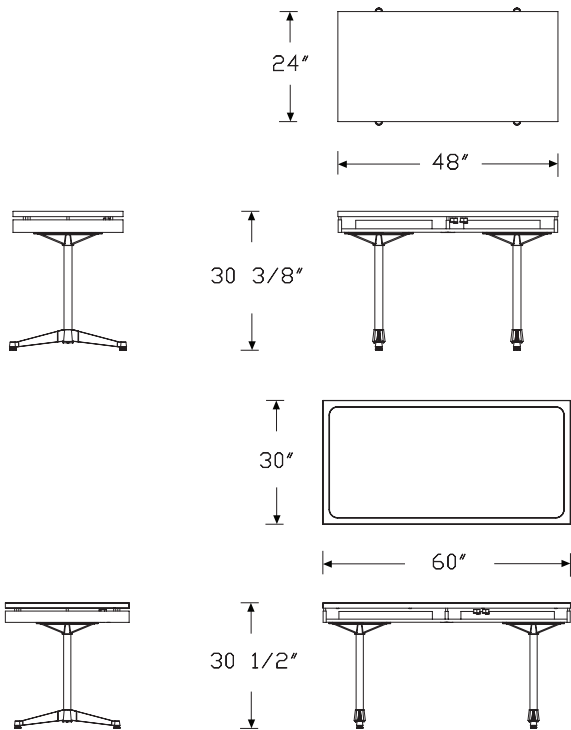
Description

This Eames® executive desk has a fully veneered top or veneer top with leather inlay. Desk features a T-leg with steel columns and aluminum feet, and cord management.

Notes

Veneer top with inlay option (B) only available with black base columns.

Dimensions



Specification Information

Step 1.

ET A

Step 2. Depth/Width

22R 24" deep x 48" wide A

87R 30" deep x 60" wide A

Step 3. Surface Material

A veneer top A

B veneer top with inlay A

Prices for Steps 1-3.

ET22R	A	\$3230
	B	\$4404

ET87R	A	\$3938
	B	\$5079

Step 4. Top Finish

OU walnut A +\$500

WHN natural white oak A +\$0

Step 5. Inlay

For veneer top with inlay (B)

Price Category 10M +\$0

Step 6. Base Finish

For veneer top (A)

BCL BK black column, BK black foot A +\$0

BCP BK black column, PA polished foot A +\$50

WCP 91 white column, PA polished foot A +\$50

WCW 91 white column, 91 white foot A +\$0

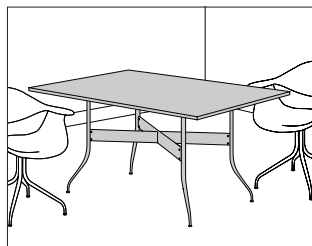
For veneer top with inlay (B)

BCL BK black column, BK black foot A +\$0

BCP BK black column, PA polished foot A +\$50

Nelson™ Swag Leg Dining Table
Rectangular

NS585

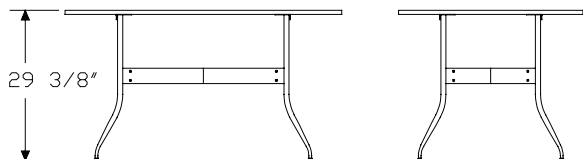
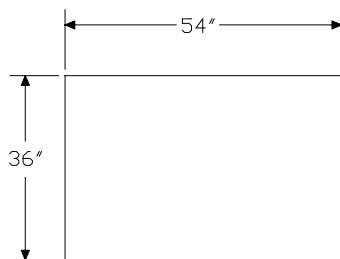


Product Information

Description

This 29^{3/8}"-high rectangular dining table has a white laminate top or walnut veneer top with a walnut edge band, 4 chrome-finished steel-tube legs, 2 solid walnut stretchers, and adjustable glides. Shipped knocked down.

Dimensions



Specification Information

Step 1.

NS5851 A

Step 2. Surface Material

L high-pressure laminate A

W veneer A

Prices for Steps 1-2.

NS5851 L	\$2750
W	\$3480

Step 3. Surface Finish

For high-pressure laminate (L)

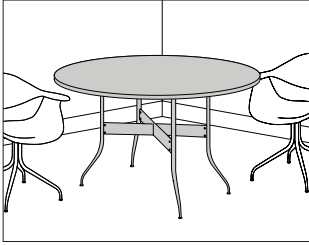
91 white (CP) <input type="checkbox"/> A	+\$0
------------------------------------------	------

For veneer (W)

OU walnut <input type="checkbox"/> A	+\$0
--------------------------------------	------

Nelson™ Swag Leg Dining Table
Round

NS585



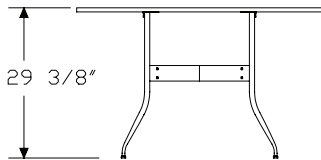
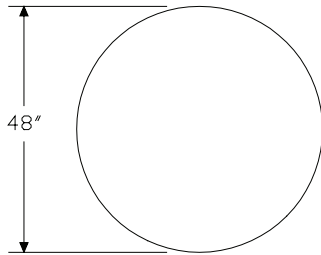
HermanMiller Ancillary-Tables

Product Information

Description

This 29³/₈"-high round dining table has a white laminate top or walnut veneer top with a walnut edge band, 4 chrome-finished steel-tube legs, 2 solid walnut stretchers, and adjustable glides. Shipped knocked down.

Dimensions



Specification Information

Step 1.

NS5852 A

Step 2. Surface Material

L high-pressure laminate A

W veneer A

Prices for Steps 1-2.

NS5852 L	\$2833
W	\$3396

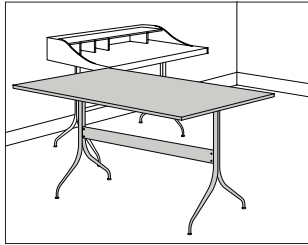
Step 3. Surface Finish

For high-pressure laminate (L)

91 white (CP) A + \$0

For veneer (W)

OU walnut A + \$0

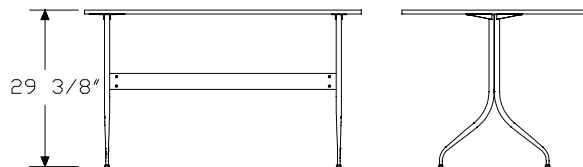
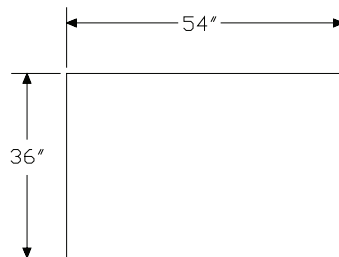


Product Information

Description

This 29^{3/8}"-high rectangular work table has a white laminate top or walnut veneer top with a walnut edge band, 4 chrome-finished steel-tube legs, 2 solid walnut stretchers, and adjustable glides. Shipped knocked down.

Dimensions



Specification Information

Step 1.

NS5854 A

Step 2. Surface Material

L high-pressure laminate A

W veneer A

Prices for Steps 1-2.

NS5854 L	\$2750
W	\$3480

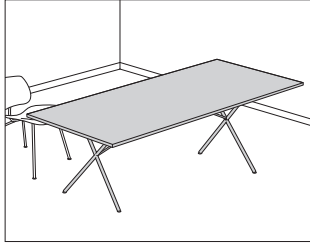
Step 3. Surface Finish

For high-pressure laminate (L)

91 white (CP) A +\$0

For veneer (W)

OU walnut A +\$0



Product Information

Description

This 28½"-high rectangular table has a laminate or veneer top with a veneer edge. Shipped knocked down.

Laminate top veneer edge colors are predetermined:

Top Color—Veneer Edge

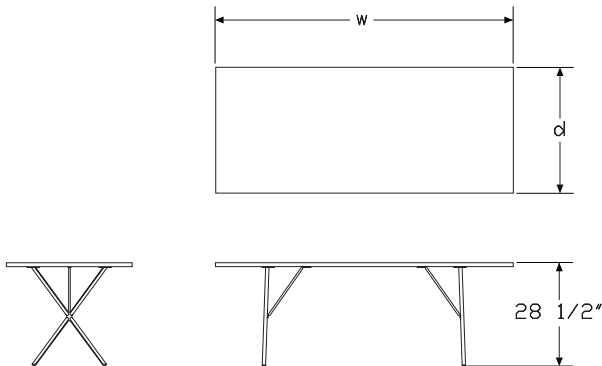
White (91)—Walnut (OU)

Studio White (98)—White Ash (A2)

Notes

Santos palisander veneer is celebrated for its unique grain and color variations. Similar products ordered in multiples or dissimilar products ordered separately should be expected to have variation in both grain and color characteristics; no two products will look exactly alike.

Dimensions



Specification Information

Step 1.

NX100. [A]

Step 2. Depth

30 30" deep [A]

36 36" deep [A]

Step 3. Width

60 60" wide [A]

72 72" wide [A]

84 84" wide [A]

Step 4. Surface Material

L laminate with veneer edge [A]

W veneer with veneer edge [A]

Prices for Steps 1-4.

		L	W
NX100. 30	60	\$2421	2689
	72	\$2689	3362
	84	\$3141	4035
36	60	\$2689	3362
	72	\$3141	4035
	84	\$3610	4638

Step 5. Top Finish

Solid-Color Laminate

For laminate with veneer edge (L)

91	white (CP) [A]	+\$0
98	studio white (CP) [A]	+\$0

Wood Veneer

For 30" deep (30) with 60" wide (60) with veneer with veneer edge (W)

OU	walnut [A]	+\$0
A2	white ash [A]	+\$250
9N	santos palisander [A]	+\$950

Wood Veneer

For 30" deep (30) or 36" deep (36) with 60" wide (60), or 72" wide (72), or 84" wide (84) with veneer with veneer edge (W)

OU	walnut [A]	+\$0
A2	white ash [A]	+\$265
9N	santos palisander [A]	+\$1009

Nelson™ X-Leg Table *continued*

Wood Veneer

For 36" deep (36) with 72" wide (72) with veneer with veneer edge (W)

OU	walnut <input type="checkbox"/>	+\$0
A2	white ash <input type="checkbox"/>	+\$290
9N	santos palisander <input type="checkbox"/>	+\$1104

Wood Veneer

For 36" deep (36) with 84" wide (84) with veneer with veneer edge (W)

OU	walnut <input type="checkbox"/>	+\$0
A2	white ash <input type="checkbox"/>	+\$305
9N	santos palisander <input type="checkbox"/>	+\$1161

Step 6. Leg Finish

91	white (CP) <input type="checkbox"/>	+\$0
BK	black <input type="checkbox"/>	+\$0
47	trivalent chrome <input type="checkbox"/>	+\$55

Eames® Indoor/Outdoor Table, Round ET5C.
Herman Miller x HAY

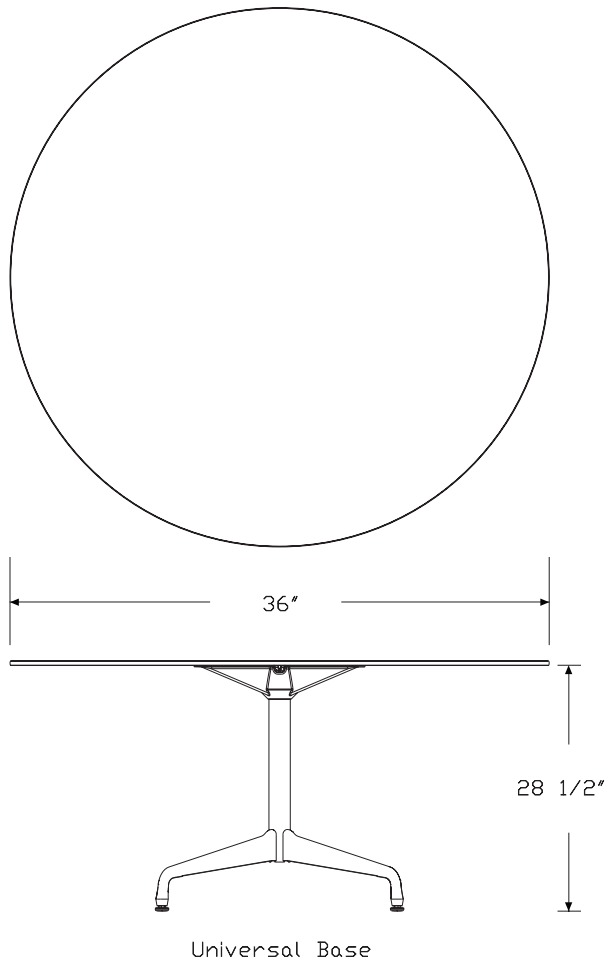


Herman Miller Ancillary- Tables

Product Information

Description
This outdoor table has a glass top and comes with adjustable glides. Ships knocked down with assembly required. Top and base components ship in separate packages.

Dimensions

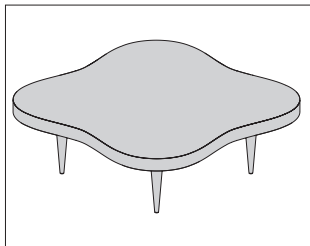


Specification Information

Step 1.		
ET5C.	<input type="checkbox"/> A	\$5075
Step 2. Color Finish		
RND	iron red <input type="checkbox"/> A	+\$0
TFE	toffee <input type="checkbox"/> A	+\$0

Rohde Paldao Coffee Table

4188.



Product Information

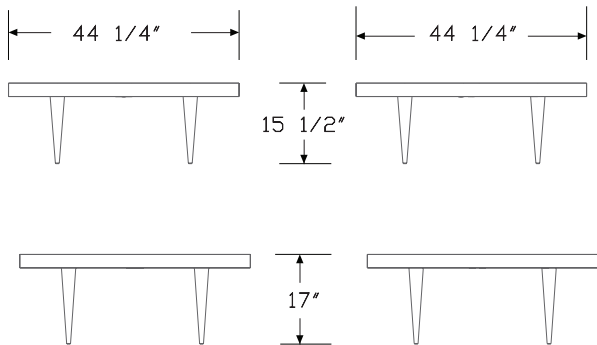
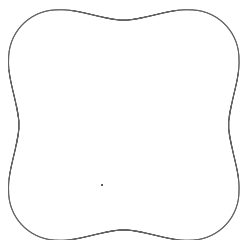
Description

This 15"-high coffee table designed by Gilbert Rohde features a curvilinear shape with veneer top and solid wood legs available in 3 finishes.

Notes

The natural characteristics inherent in Burl wood cause variations in grain, texture and color. The variations and subtle changes seen over time are values associated with natural materials. No two Burl tabletops are identical; variations in both color and grain are to be expected.

Dimensions



Specification Information

Step 1.

4188. A

Step 2. Height

15 15" high A

Prices for Steps 1-2.

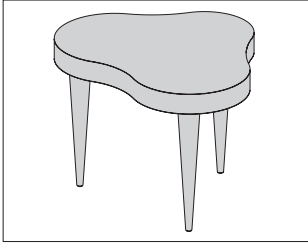
4188. 15 \$3050

Step 3. Finish

EN ebony A +\$0

OUB walnut burl A +\$800

WOB white oak burl A +\$400



Product Information

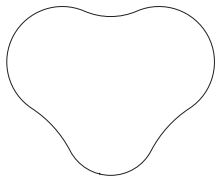
Description

This side table designed by Gilbert Rohde features a curvilinear shape with veneer top and solid wood legs in 3 finishes. Available in 2 heights.

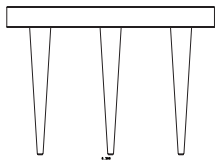
Notes

The natural characteristics inherent in Burl wood cause variations in grain, texture and color. The variations and subtle changes seen over time are values associated with natural materials. No two Burl tabletops are identical; variations in both color and grain are to be expected.

Dimensions

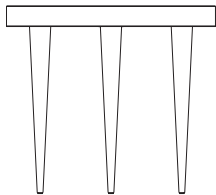
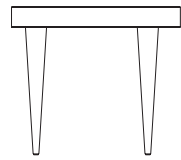


27"

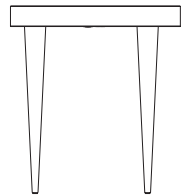


19"

22"



24"



Specification Information

Step 1.

4187. A

Step 2. Height

19 19" high A

24 24" high A

Prices for Steps 1-2.

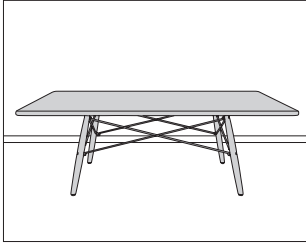
4187.	19	\$1750
	24	\$1900

Step 3. Finish

EN ebony A +\$0

OUB walnut burl A +\$400

WOB white oak burl A +\$200



Product Information

Description

This 15"-high table has a 5/8"-thick veneer surface or a stone top. The dowel base has powder-coated or chrome wire and non-adjustable nylon glides. Ships fully assembled except when specifying stone top.

Notes

Stone top actual thickness is 5/8". Illustration dimension is nominal.

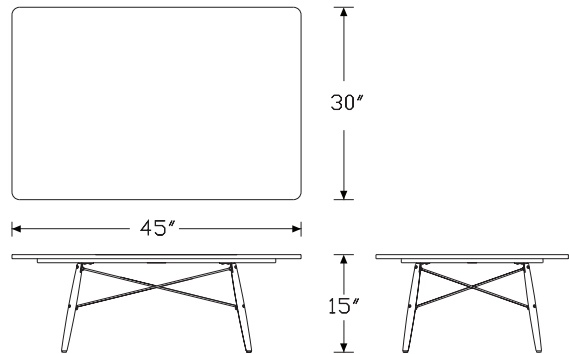
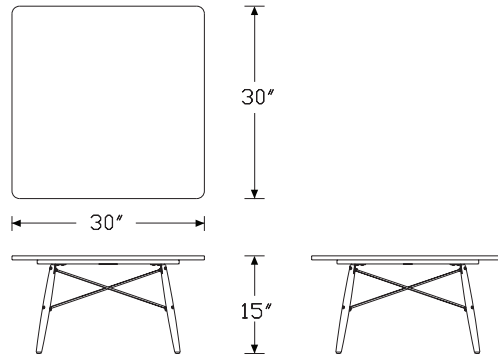
Ebony (EN) and walnut (OU) dowel legs are stained ash wood with black glides.

Natural maple (UL) and white ash (A2) dowel legs have white glides.

Natural characteristics in stone cause variations in hues, veins, crystals, and distinctive marks. These variations and subtle changes seen as the stone ages are values associated with natural materials. No two tabletops are identically the same; variations in both color and veining are to be expected. Over time the stone may fade in color, staining of the surface may appear, and surface cracks-if not already visible at time of purchase-may appear. Small cracks do not affect the structure of the tabletop.

Santos palisander veneer is celebrated for its unique grain and color variations. Similar products ordered in multiples or dissimilar products ordered separately should be expected to have variation in both grain and color characteristics; no two products will look exactly alike.

Dimensions



Specification Information

Step 1.

ECT A

Step 2. Size

3030 30" x 30" A

3045 30" x 45" A

Step 3. Top Material

V veneer A

S stone A

Prices for Steps 1-3.

ECT3030 V	\$1478
S	\$3079

ECT3045 V	\$1690
S	\$4026

Step 4. Top Finish

For 30" x 30" (3030) with veneer (V)

A2 white ash <input type="checkbox"/> A	+\$30
EN ebony <input type="checkbox"/> A	+\$30
OU walnut <input type="checkbox"/> A	+\$30
9N santos palisander <input type="checkbox"/> A	+\$550

For 30" x 45" (3045) with veneer (V)

A2 white ash <input type="checkbox"/> A	+\$0
EN ebony <input type="checkbox"/> A	+\$0
OU walnut <input type="checkbox"/> A	+\$50
9N santos palisander <input type="checkbox"/> A	+\$730

For stone (S)

CRR Carrara marble <input type="checkbox"/> A	+\$0
-----------------------------------------------	------

Step 5. Dowel Finish

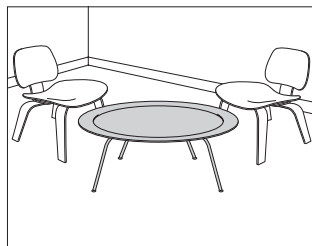
UL natural maple <input type="checkbox"/> A	+\$0
A2 white ash <input type="checkbox"/> A	+\$30
EN ebony <input type="checkbox"/> A	+\$30
OU walnut <input type="checkbox"/> A	+\$30

Step 6. Wire Finish

91 white (CP) <input type="checkbox"/> A	+\$0
BK black <input type="checkbox"/> A	+\$0
47 trivalent chrome <input type="checkbox"/> A	+\$20

Eames® Molded Plywood Coffee Table Metal Base

CTM.



Product Information

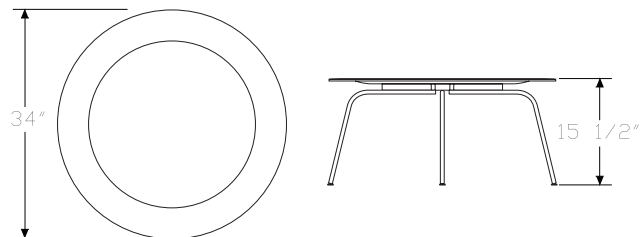
Description

This 15½"-high molded plywood table has natural face veneers and hardwood inner plies. It has a 5-ply, 34"-diameter top and a 4-leg metal base with self-leveling nylon glides. Shipped knocked down.

Notes

Ebony (EN) option is stain on ash veneer; inner plies are not as visible.
 Black (BK) base finish has black glides. Trivalent chrome (47) base finish has white glides.

Dimensions



Specification Information

Step 1.

CTM. [A] \$1605

Step 2. Top Finish

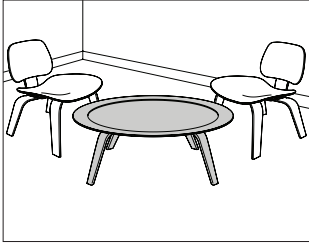
OU walnut [A] +\$0
 EN ebony [A] +\$50
 A2 white ash [A] +\$50

Step 3. Base Finish

BK black [A] +\$0
 47 trivalent chrome [A] +\$20

Eames® Molded Plywood Coffee
Table Wood Base

CTW.



Product Information

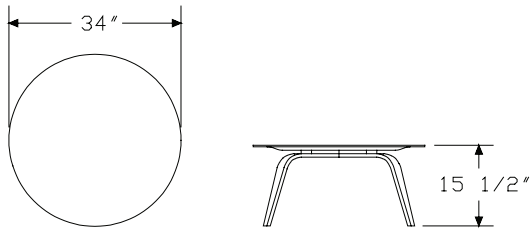
Description

This 15½"-high molded plywood table has natural face veneers and hardwood inner plies. It has a 5-ply, 34"-diameter top and an 8-ply 4-leg base. Shipped knocked down.

Notes

Ebony (EN) option is stain on ash veneer; inner plies are not as visible.

Dimensions



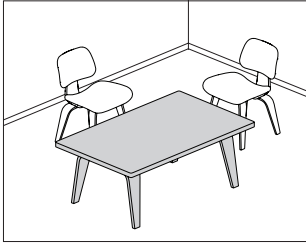
Specification Information

Step 1.

CTW. A \$1826

Step 2. Finish

EN ebony A +\$115
OU walnut A +\$0
A2 white ash A +\$115



Product Information

Description

This 14"-high table has a laminate top with veneer edge or a veneer top and edge with curved molded plywood veneer legs. Shipped knocked down.

Notes

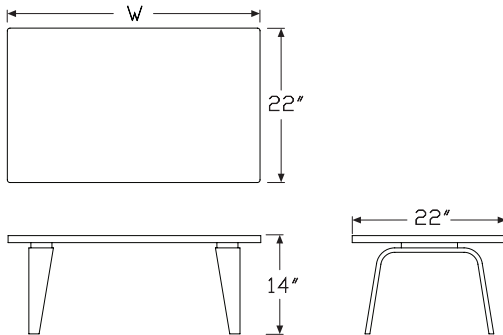
For white (91) laminate top option, veneer edge is walnut (OU).

For studio white (98) laminate top option, veneer edge is white ash (A2).

For black (BK) laminate top option, veneer edge is walnut (OU).

Ebony (EN) option is stain on ash veneer; inner plies are not as visible.

Dimensions



Specification Information

Step 1.

CTW1. [A]

Step 2. Depth/Width

2236 22" deep x 36" wide [A]

2248 22" deep x 48" wide [A]

Step 3. Surface Material

L laminate with veneer edge [A]

W veneer with veneer edge [A]

Prices for Steps 1-3.

		L	W
CTW1.	2236	\$1531	1630
	2248	\$1598	1794

Step 4. Top Finish

For laminate with veneer edge (L)

91 white (CP) [A] +\$0

98 studio white (CP) [A] +\$0

BK black [A] +\$0

For veneer with veneer edge (W)

A2 white ash [A] +\$0

EN ebony [A] +\$0

OU walnut [A] +\$0

Step 5. Leg Finish

For white (CP) (91) or black (BK)

OU walnut [A] +\$0

For walnut (OU)

OU walnut [A] +\$0

For studio white (CP) (98)

A2 white ash [A] +\$0

For white ash (A2)

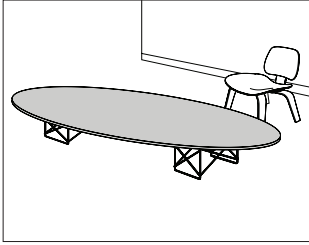
A2 white ash [A] +\$0

For ebony (EN)

EN ebony [A] +\$0

Eames® Wire Base Elliptical Table

ETRT.

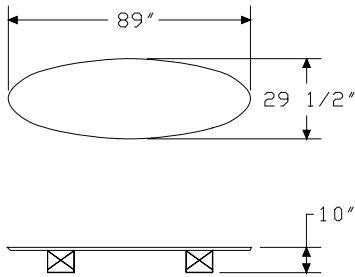


Product Information

Description

This oval table has a 7/8"-thick laminate top, a 13-ply Baltic birch core and edge, and either a powder-coated or chrome wire base.

Dimensions



Specification Information

Step 1.

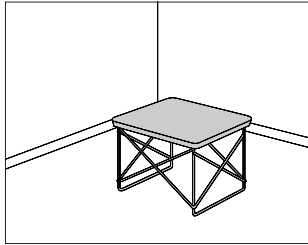
ETRT. A \$1766

Step 2. Top Finish

91 white (CP) +\$0
 98 studio white (CP) +\$0
 BK black A +\$0

Step 3. Base Finish

47 trivalent chrome A +\$0
 91 white (CP) A +\$0
 98 studio white (CP) A +\$0
 BK black A +\$0



Product Information

Description

This table has a 7/8"-thick laminate or veneer surface with 13-ply Baltic birch core, or 3/4"-thick stone. The base is either powder-coated or chrome wire.

Notes

Stone has a honed finish and knife edge similar in profile to the Baltic birch core edge.

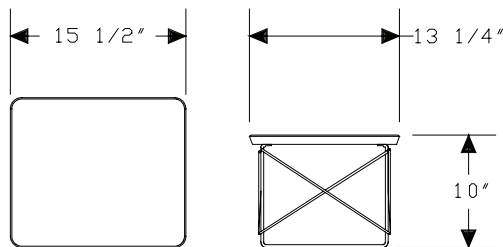
Natural characteristics in stone cause variations in hues, veins, crystals, and distinctive marks. These variations and subtle changes seen as the stone ages are values associated with natural materials. No two tabletops are identically the same; variations in both color and veining are to be expected.

Over time the stone may fade in color, staining of the surface may appear, and surface cracks-if not already visible at time of purchase-may appear.

Small cracks do not affect the structure of the tabletop.

Santos palisander veneer is celebrated for its unique grain and color variations. Similar products ordered in multiples or dissimilar products ordered separately should be expected to have variation in both grain and color characteristics; no two products will look exactly alike.

Dimensions



Specification Information

Step 1.

LTRT. [A] \$322

Step 2. Top Finish

Solid-Color Laminate

91 white (CP) +\$0
98 studio white (CP) +\$0
BK black [A] +\$0

Wood Veneer

OU walnut [A] +\$100
A2 white ash [A] +\$110
9N santos palisander [A] +\$255

Stone

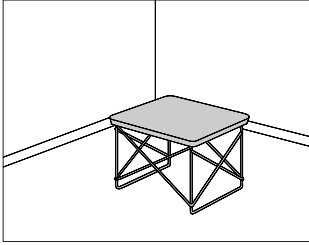
5U georgia grey marble [A] +\$1359
CRR Carrara marble [A] +\$1289

Step 3. Base Finish

91 white (CP) [A] +\$0
98 studio white (CP) [A] +\$0
BK black [A] +\$0
47 trivalent chrome [A] +\$20

Eames® Wire Base Low Table
Herman Miller x HAY

LTRTC.

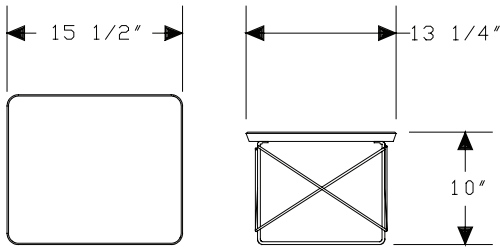


Product Information

Description

This table has a 1/2"-thick back-painted glass top and a powder-coated wire base.

Dimensions



Specification Information

Step 1.

LTRTC. A

Step 2. Top/Base Finish

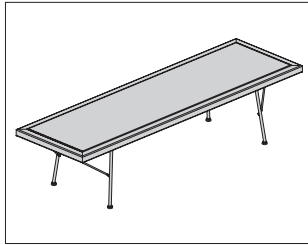
LMP mint green top, powder yellow base A

LPT powder pink top, toffee base A

LRL iron red top, black blue base A

Prices for Steps 1-2.

LTRTC. LMP	\$1026
LPT	\$1026
LRL	\$1026

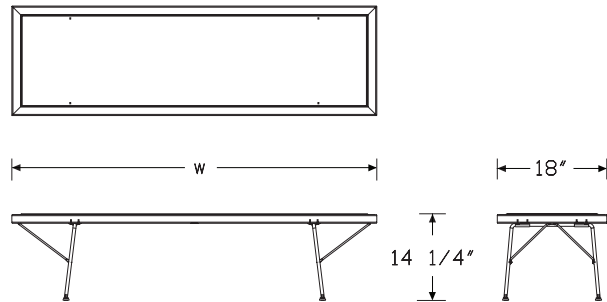


Product Information

Description

This bench has a solid maple or walnut top with cane inset and metal base with metal leveling glides.

Dimensions



Specification Information

Step 1.

5291. A

Step 2. Width

- 48 48" wide A
- 60 60" wide A
- 72 72" wide A

Prices for Steps 1-2.

5291.	48	\$2087
	60	\$2339
	72	\$2593

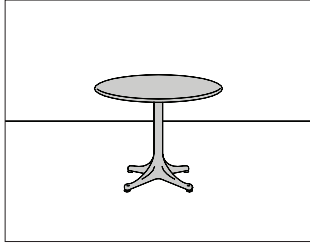
Step 3. Top Finish

UL	natural maple <input type="checkbox"/> A	+\$0
OU	walnut <input type="checkbox"/> A	+\$550

Step 4. Base Finish

47	trivalent chrome <input type="checkbox"/> A	+\$0
BK	black <input type="checkbox"/> A	+\$0

Nelson™ Pedestal Table



- 5451L
- 5451S
- 5451W
- 5452L
- 5452S
- 5452W
- 5453L
- 5453S
- 5453W
- 5454L
- 5454S
- 5454W
- 5455L
- 5455S
- 5455W

Product Information

Description

This round table has either a 7/8"-thick laminate top with a veneer edge, a veneer top and edge, or a 3/4"-thick stone top with a honed finish. Each top has a knife profile edge. Base is aluminum with adjustable glides.

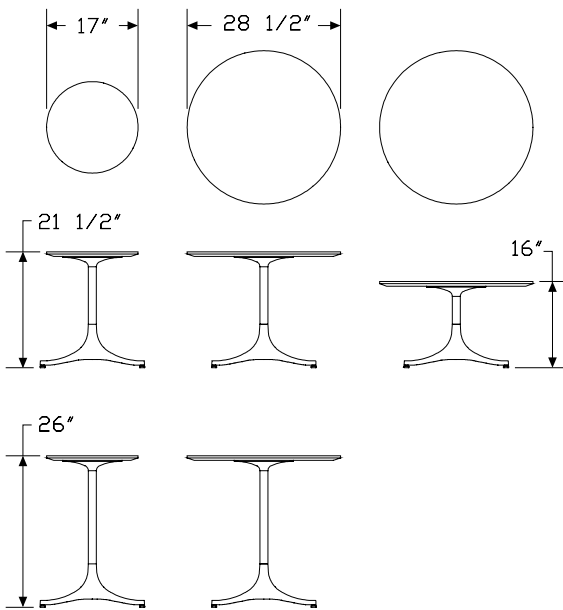
Notes

Natural characteristics in stone cause variations in hues, veins, crystals, and distinctive marks. These variations and subtle changes seen as the stone ages are values associated with natural materials. No two tabletops are identically the same; variations in both color and veining are to be expected. Over time the stone may fade in color, staining of the surface may appear, and surface cracks—if not already visible at time of purchase—may appear.

Small cracks do not affect the structure of the tabletop.

Santos palisander veneer is celebrated for its unique grain and color variations. Similar products ordered in multiples or dissimilar products ordered separately should be expected to have variation in both grain and color characteristics; no two products will look exactly alike.

Dimensions



Specification Information

Step 1.

545 A

Step 2. Height/Diameter

- 1 21 1/2" high x 17" diameter A
- 5 26" high x 17" diameter A
- 2 16" high x 28 1/2" diameter A
- 3 21 1/2" high x 28 1/2" diameter A
- 4 26" high x 28 1/2" diameter A

Step 3. Surface Material

- L laminate top A
- W veneer top A
- S stone top A

Prices for Steps 1-3.

5451L	\$1132
5451W	\$1311
5451S	\$3152
5455L	\$1132
5455W	\$1311
5455S	\$3152
5452L	\$1352
5452W	\$1663
5452S	\$5024
5453L	\$1352
5453W	\$1663
5453S	\$5024
5454L	\$1352
5454W	\$1663
5454S	\$5024

Step 4. Base Finish

UBK	ultra black (CP) <input type="checkbox"/> A	+\$0
91	white (CP) <input type="checkbox"/> A	+\$0
98	studio white (CP) <input type="checkbox"/> A	+\$0
BK	black <input type="checkbox"/> A	+\$0
L	polished aluminum <input type="checkbox"/> A	+\$0

Step 5. Top Finish

For laminate top (L)

UBK	ultra black (CP) <input type="checkbox"/> A	+\$0
91	white (CP) <input type="checkbox"/> A	+\$0
98	studio white (CP) <input type="checkbox"/> A	+\$0
BK	black <input type="checkbox"/> A	+\$0

Nelson™ Pedestal Table *continued*

For 21½" high x 17" diameter (1) with veneer top (W)

OU	walnut <input type="checkbox"/>	+\$0
A2	white ash <input type="checkbox"/>	+\$65
9N	santos palisander <input type="checkbox"/>	+\$215
EN	ebony stain on white ash <input type="checkbox"/>	+\$65

For 26" high x 17" diameter (5) with veneer top (W)

OU	walnut <input type="checkbox"/>	+\$0
A2	white ash <input type="checkbox"/>	+\$65
9N	santos palisander <input type="checkbox"/>	+\$215
EN	ebony stain on white ash <input type="checkbox"/>	+\$65

For 16" high x 28½" diameter (2) with veneer top (W)

OU	walnut <input type="checkbox"/>	+\$0
A2	white ash <input type="checkbox"/>	+\$95
9N	santos palisander <input type="checkbox"/>	+\$361
EN	ebony stain on white ash <input type="checkbox"/>	+\$95

For 21½" high x 28½" diameter (3) with veneer top (W)

OU	walnut <input type="checkbox"/>	+\$0
A2	white ash <input type="checkbox"/>	+\$95
9N	santos palisander <input type="checkbox"/>	+\$361
EN	ebony stain on white ash <input type="checkbox"/>	+\$95

For 26" high x 28½" diameter (4) with veneer top (W)

OU	walnut <input type="checkbox"/>	+\$0
A2	white ash <input type="checkbox"/>	+\$95
9N	santos palisander <input type="checkbox"/>	+\$361
EN	ebony stain on white ash <input type="checkbox"/>	+\$95

For 21½" high x 17" diameter (1) with stone top (S)

5U	georgia grey marble <input type="checkbox"/>	+\$225
CRR	Carrara marble <input type="checkbox"/>	+\$100

For 26" high x 17" diameter (5) with stone top (S)

5U	georgia grey marble <input type="checkbox"/>	+\$225
CRR	Carrara marble <input type="checkbox"/>	+\$100

For 16" high x 28½" diameter (2) with stone top (S)

5U	georgia grey marble <input type="checkbox"/>	+\$360
CRR	Carrara marble <input type="checkbox"/>	+\$285

For 21½" high x 28½" diameter (3) with stone top (S)

5U	georgia grey marble <input type="checkbox"/>	+\$360
CRR	Carrara marble <input type="checkbox"/>	+\$285

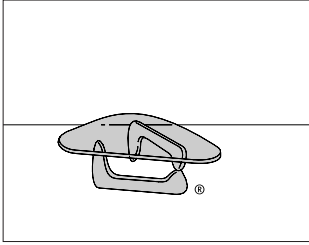
For 26" high x 28½" diameter (4) with stone top (S)

5U	georgia grey marble <input type="checkbox"/>	+\$360
CRR	Carrara marble <input type="checkbox"/>	+\$285

Step 6. Edge Band Detail

For laminate top (L)

A2	white ash <input type="checkbox"/>	+\$50
9N	santos palisander <input type="checkbox"/>	+\$100
OU	walnut <input type="checkbox"/>	+\$25
UL	natural maple <input type="checkbox"/>	+\$0

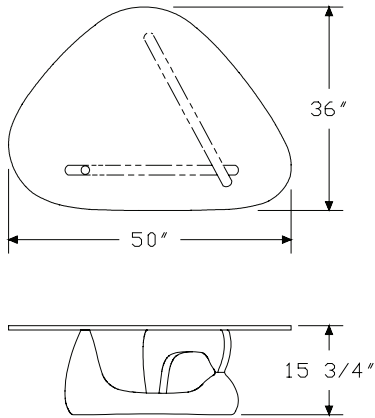


Product Information

Description

This table has a 3/4"-thick plate-glass top and a 2-piece wood base. Isamu Noguchi's signature appears on the edge of the glass top. An oval medallion with his signature and the Herman Miller logo is attached to the underside of the base. A certificate of authenticity is included with each table. Shipped knocked down.

Dimensions



Specification Information

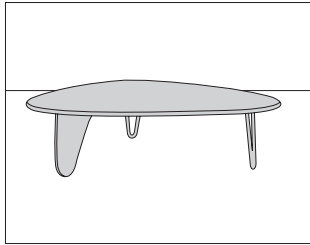
Step 1.

IN50 [A] \$3067

Step 2. Base Finish

- E3** noguchi black [A] +\$50
- OU** walnut [A] +\$150
- A2** white ash [A] +\$150
- WHN** natural white oak [A] +\$150

HermanMiller Ancillary--Occasional Tables



Product Information

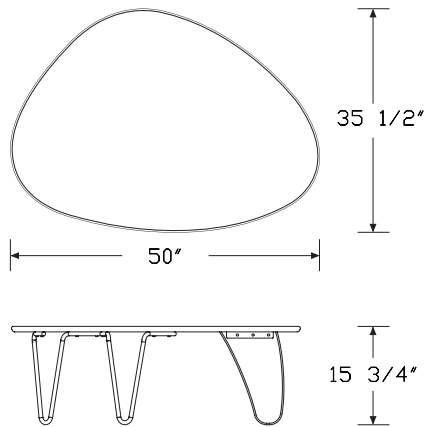
Description

This table has a 7/8"-thick top made from a Baltic birch core with veneer surface and beveled edge. Rudder leg is solid wood with veneer surface; hairpin legs are metal. Shipped knocked down.

Notes

Base finish only refers to the metal hairpin leg portion; rudder leg will follow the same species as the top finish.

Dimensions



Specification Information

Step 1.

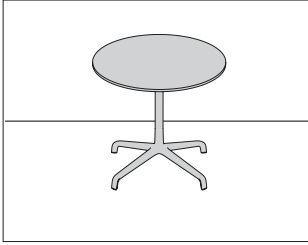
IN52 A \$2285

Step 2. Top Finish

A2 white ash A +\$135
 FD ebony on maple A +\$0
 OU walnut A +\$135

Step 3. Base Finish

47 trivalent chrome A +\$20



HermanMiller Ancillary—Occasional Tables

Product Information

Description

This pedestal table comes in 2 heights and several top sizes with a choice of veneer, laminate, stone, or back-painted glass top with modified bullnose edge. Glass top is 1/2" thick and has a satin etch finish. Table has adjustable glides. Shipped knocked down.

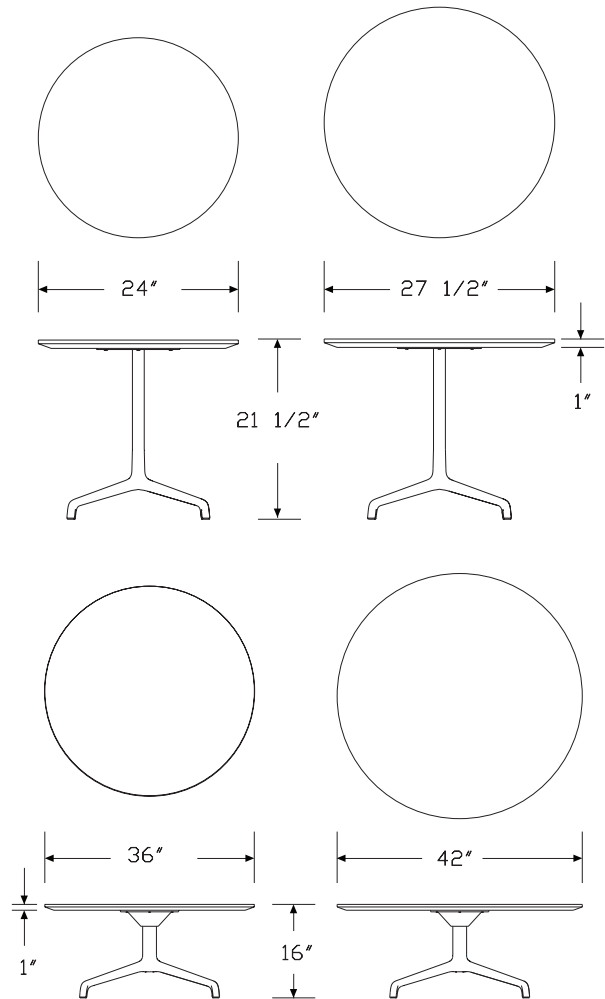
Notes

36" and 42" diameter tables may accommodate USB and power. Single center cutout, no grommet (CC) must be specified.

For power access, order round power module (ET991.) separately.

Santos palisander veneer is celebrated for its unique grain and color variations. Similar products ordered in multiples or dissimilar products ordered separately should be expected to have variation in both grain and color characteristics; no two products will look exactly alike.

Dimensions



Specification Information

Step 1.

CCL500. A

Step 2. Height/Diameter

1636	16" high x 36" diameter	A
1642	16" high x 42" diameter	A
2124	21.5" high x 24" diameter	A
2128	21.5" high x 27.5" diameter	A

Step 3. Surface Material

W	veneer top with veneer edge	A
G	back-painted glass top	A
L	laminated top	A
S	stone top	A

Step 4. Grommets

For 16" high x 36" diameter (1636) or 16" high x 42" diameter (1642)

NG	no grommet	A
CC	single center cutout, no grommet	A
CG	single center cutout, with grommet	A

For 21.5" high x 24" diameter (2124) or 21.5" high x 27.5" diameter (2128)

NG	no grommet	A
-----------	------------	-----------------------------------------------------------------

Prices for Steps 1-4.

			NG	CC	CG
CCL500.	1636	W	\$1895	1895	1909
		G	\$4120	4306	4278
		L	\$1506	1520	1540
		S	\$7118	7212	7228
	1642	W	\$2541	2541	2556
		G	\$5345	5535	5503
		L	\$1906	1921	1936
		S	\$9679	9771	9789
	2124	W	\$1546	—	—
		G	\$2641	—	—
		L	\$1210	—	—
		S	\$5365	—	—
	2128	W	\$1641	—	—
		G	\$3267	—	—
		L	\$1304	—	—
		S	\$5963	—	—

Step 5. Top Finish

For 16" high x 36" diameter (1636), 16" high x 42" diameter (1642), 21.5" high x 24" diameter (2124), or 21.5" high x 27.5" diameter (2128) with back-painted glass top (G)

91	white (CP)	A	+\$0
8Q	folkstone grey (CP)	A	+\$0
WN	warm grey neutral	A	+\$0
BK	black	A	+\$0

For 21.5" high x 24" diameter (2124) with veneer top with veneer edge (W)

A2	white ash	A	+\$0
EN	ebony	A	+\$11
OU	walnut	A	+\$11
9N	santos palisander	A	+\$118

For 21.5" high x 27.5" diameter (2128) with veneer top with veneer edge (W)

A2	white ash	A	+\$0
EN	ebony	A	+\$11
OU	walnut	A	+\$11
9N	santos palisander	A	+\$147

For 16" high x 36" diameter (1636) with veneer top with veneer edge (W)

A2	white ash	A	+\$0
EN	ebony	A	+\$22
OU	walnut	A	+\$22
9N	santos palisander	A	+\$253

For 16" high x 42" diameter (1642) with veneer top with veneer edge (W)

A2	white ash	A	+\$0
EN	ebony	A	+\$22
OU	walnut	A	+\$22
9N	santos palisander	A	+\$340

For 16" high x 36" diameter (1636), 16" high x 42" diameter (1642), 21.5" high x 24" diameter (2124), or 21.5" high x 27.5" diameter (2128) with laminate top (L)

91	white (CP)	A	+\$0
8Q	folkstone grey (CP)	A	+\$0
WN	warm grey neutral	A	+\$0
BK	black	A	+\$0

For 21.5" high x 24" diameter (2124) with stone top (S)

QPL	pearl quartz	A	+\$0
QCN	concrete quartz	A	+\$0
CRR	Carrara marble	A	+\$264
5U	georgia grey marble	A	+\$302

Striad® Pedestal Table *continued*

HermanMiller Ancillary—Occasional Tables

For 21.5" high x 27.5" diameter (2128) with stone top (S)

QPL	pearl quartz <input type="checkbox"/> A	+\$0
QCN	concrete quartz <input type="checkbox"/> A	+\$0
CRR	Carrara marble <input type="checkbox"/> A	+\$276
5U	georgia grey marble <input type="checkbox"/> A	+\$313

For 16" high x 36" diameter (1636) with stone top (S)

QPL	pearl quartz <input type="checkbox"/> A	+\$0
QCN	concrete quartz <input type="checkbox"/> A	+\$0
CRR	Carrara marble <input type="checkbox"/> A	+\$200
5U	georgia grey marble <input type="checkbox"/> A	+\$244

For 16" high x 42" diameter (1642) with stone top (S)

QPL	pearl quartz <input type="checkbox"/> A	+\$0
QCN	concrete quartz <input type="checkbox"/> A	+\$0
CRR	Carrara marble <input type="checkbox"/> A	+\$238
5U	georgia grey marble <input type="checkbox"/> A	+\$276

Step 6. Grommet Finish

For 16" high x 36" diameter (1636) or 16" high x 42" diameter (1642) with single center cutout, with grommet (CG)

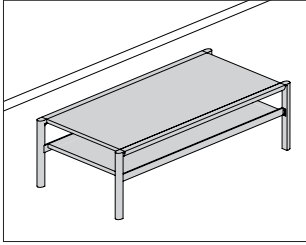
91	white (CP) <input type="checkbox"/> A	+\$0
BK	black <input type="checkbox"/> A	+\$0
PA	polished aluminum <input type="checkbox"/> A	+\$0

Step 7. Base Finish

91	white (CP) <input type="checkbox"/> A	+\$0
BK	black <input type="checkbox"/> A	+\$0
PA	polished aluminum <input type="checkbox"/> A	+\$0

Brabo Occasional Table

AV3AL
AV3AW
AV3WL
AV3WW

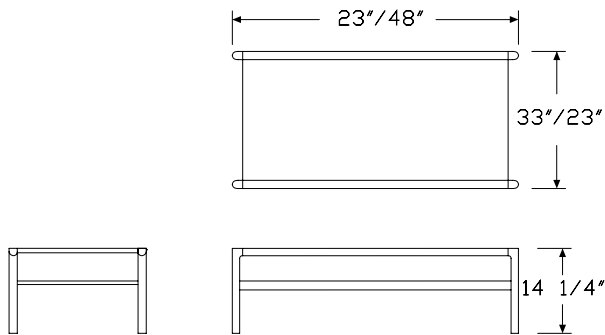


Product Information

Description

This table has a solid ash or walnut frame, and steel-plated metal in one of several metal finishes. Tops can be specified in wood veneer or leather-wrapped. Available as a side table or coffee table.

Dimensions



Specification Information

Step 1.

AV

Step 2. Table Type

- 3AL ash wood top with leather
- 3WL walnut wood top with leather
- 3AW ash wood top with wood
- 3WW walnut wood top with wood

Step 3. Size

- 332314 23" wide side table
- 234814 48" wide coffee table

Prices for Steps 1-3.

AV3AL	-332314	\$3930
	-234814	\$4322
AV3WL	-332314	\$4075
	-234814	\$4524
AV3AW	-332314	\$3930
	-234814	\$4322
AV3WW	-332314	\$4075
	-234814	\$4524

Step 4. Wood Finish

Anigre Veneer - Low Sheen

For ash wood top with leather (3AL) or ash wood top with wood (3AW)

- 967 smoked paldao, low sheen +\$0
- 969 warm paldao, low sheen +\$0

Premium Veneer - Matte

For ash wood top with leather (3AL) or ash wood top with wood (3AW)

- 66A frosty ash recograin, quarter cut, matte sheen +\$0
- 677 chocolate ash, matte sheen +\$0
- 68R recograin rosewood +\$0
- 69A recograin frosty ash +\$0
- 69R recograin rosewood +\$0
- 69T recograin teak +\$0
- 6K1 rift oak +\$0
- ET clear on ash +\$0
- EU oak on ash +\$0
- EV walnut on ash +\$0
- GOU natural walnut, flat cut, matte sheen +\$0

Premium Veneer - Low Sheen

For ash wood top with leather (3AL) or ash wood top with wood (3AW)

940	sundance cherry on maple	A	+\$0
943	caramel cherry	A	+\$0
946	cocoa cherry	A	+\$0
956	cocoa sapele	A	+\$0
962	toasted walnut, low sheen	A	+\$0
963	charred walnut, low sheen	A	+\$0
964	bronzed walnut, low sheen	A	+\$0
965	smoked walnut, low sheen	A	+\$0
966	coffee walnut, low sheen	A	+\$0
977	chocolate ash, low sheen	A	+\$0
98R	recograin rosewood	A	+\$0
991	champagne ash	A	+\$0
998	ebony ash	A	+\$0
99A	recograin frosty ash	A	+\$0
99R	recograin rosewood	A	+\$0
99T	recograin teak	A	+\$0
9A1	white ash, quarter cut, low sheen	A	+\$0
9K1	rift oak, rift cut, low sheen	A	+\$0
9K6	burnt oak, rift cut, low sheen	A	+\$0
G2U	light brown walnut, low sheen	A	+\$0
G40	dark brown walnut, low sheen	A	+\$0

RecoGrain Veneer

For ash wood top with leather (3AL) or ash wood top with wood (3AW)

68W	recograin walnut, flat cut, matte sheen	A	+\$0
69W	recograin walnut, quarter cut, matte sheen	A	+\$0

For ash wood top with leather (3AL) or ash wood top with wood (3AW)

98W	recograin walnut, flat cut, low sheen	A	+\$0
99W	recograin walnut, quarter cut, low sheen	A	+\$0

Matte Wood Finishes

For ash wood top with leather (3AL) or ash wood top with wood (3AW)

6A1	white ash	A	+\$0
6K6	burnt oak	A	+\$0

Premium Veneer - Low Sheen

For walnut wood top with leather (3WL) or walnut wood top with wood (3WW)

962	toasted walnut, low sheen	A	+\$0
963	charred walnut, low sheen	A	+\$0
964	bronzed walnut, low sheen	A	+\$0
965	smoked walnut, low sheen	A	+\$0
966	coffee walnut, low sheen	A	+\$0
972	sundance walnut	A	+\$0
98R	recograin rosewood	A	+\$0
99R	recograin rosewood	A	+\$0
G2U	light brown walnut, low sheen	A	+\$0
G40	dark brown walnut, low sheen	A	+\$0

Premium Veneer - Matte

For walnut wood top with leather (3WL) or walnut wood top with wood (3WW)

662	toasted walnut, matte sheen	A	+\$0
663	charred walnut, matte sheen	A	+\$0
664	bronzed walnut, matte sheen	A	+\$0
665	smoked walnut, matte sheen	A	+\$0
666	coffee walnut, matte sheen	A	+\$0
667	smoked paldao, quarter cut, matte sheen	A	+\$0
669	warm paldao, quarter cut, matte sheen	A	+\$0
68R	recograin rosewood	A	+\$0
69R	recograin rosewood	A	+\$0
GOU	natural walnut, flat cut, matte sheen	A	+\$0

Anigre Veneer - Low Sheen

For walnut wood top with leather (3WL) or walnut wood top with wood (3WW)

967	smoked paldao, low sheen	A	+\$0
969	warm paldao, low sheen	A	+\$0

Step 5. Leather Top

For ash wood top with leather (3AL) or walnut wood top with leather (3WL) with 23" wide side table (-332314)

Price Category 11	+\$260
-------------------	--------

For ash wood top with leather (3AL) or walnut wood top with leather (3WL) with 48" wide coffee table (-234814)

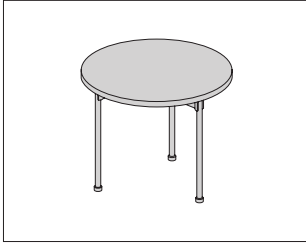
Price Category 11	+\$389
-------------------	--------

Step 6. Base Finish

CHR	chrome	A	+\$0
SAC	satin chrome	A	+\$0

Claw Table

ACL1A

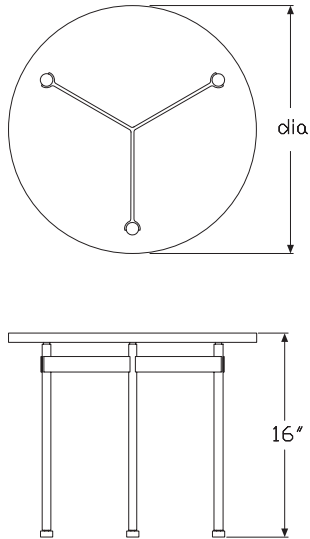


Product Information

Description

The table top is 3/4" thick clear glass with a metal base.

Dimensions



Specification Information

Step 1.

ACL1A A

Step 2. Dimensions

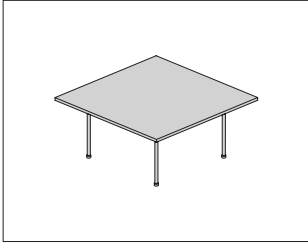
- 20 20" diameter x 16" high A
- 24 24" diameter x 16" high A
- 36 36" diameter x 16" high A

Prices for Steps 1-2.

ACL1A -20	\$3824
-24	\$4209
-36	\$4656

Step 3. Base Finish

926 black <input type="checkbox"/> A	+\$0
CHR chrome <input type="checkbox"/> A	+\$0
EH metallic bronze <input type="checkbox"/> A	+\$0
SAC satin chrome <input type="checkbox"/> A	+\$0

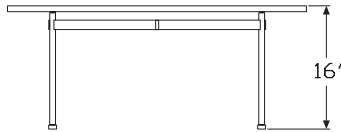
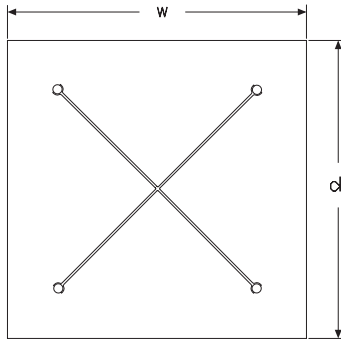


Product Information

Description

The table top is 3/4" thick clear glass with a metal base.

Dimensions



Specification Information

Step 1.

ACL2A

Step 2. Dimensions

-3636 36" square x 16" high

-4040 40" square x 16" high

Prices for Steps 1-2.

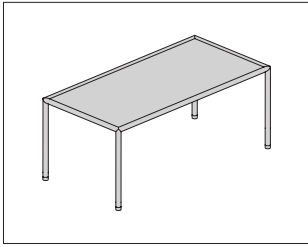
ACL2A -3636	\$4687
-4040	\$5053

Step 3. Base Finish

926 black <input type="checkbox"/>	+\$0
CHR chrome <input type="checkbox"/>	+\$0
EH metallic bronze <input type="checkbox"/>	+\$0
SAC satin chrome <input type="checkbox"/>	+\$0

Full Round Table

AWR2-



Product Information

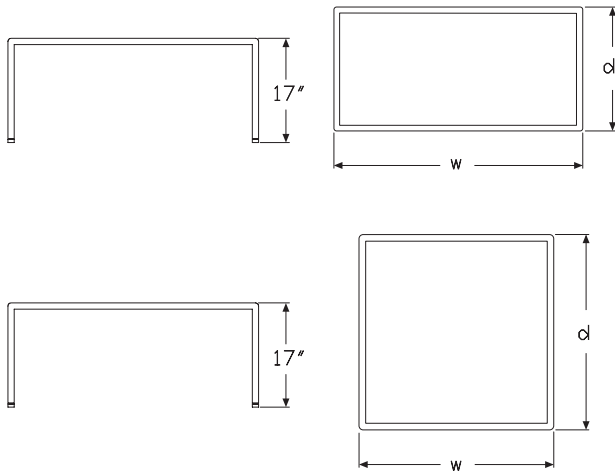
Description

This table has a wood top and metal base.

Notes

Santos palisander veneer is celebrated for its unique grain and color variations. Similar products ordered in multiples or dissimilar products ordered separately should be expected to have variation in both grain and color characteristics; no two products will look exactly alike.

Dimensions



Specification Information

Step 1.

AWR2 A

Step 2. Dimensions

- 2020** 20" square x 17" high A
- 2424** 24" square x 17" high A
- 3030** 30" square x 17" high A
- 3020** 30" deep x 20" wide x 17" high A
- 4020** 40" deep x 20" wide x 17" high A

Prices for Steps 1-2.

AWR2-2020	\$2362
AWR2-2424	\$2676
AWR2-3030	\$3207
AWR2-3020	\$2923
AWR2-4020	\$3127

Step 3. Wood Finish

Premium Veneer - Low Sheen		
<i>For 20" square x 17" high (-2020)</i>		
931	champagne anigre (natural) A	+\$670
932	sundance anigre A	+\$670
933	caramel anigre A	+\$670
934	henna anigre A	+\$670
941	natural beech A	+\$0
942	sundance cherry (natural) A	+\$0
943	caramel cherry A	+\$0
946	cocoa cherry A	+\$0
951	natural anigre A	+\$670
956	cocoa sapele A	+\$0
962	toasted walnut, low sheen A	+\$0
963	charred walnut, low sheen A	+\$0
964	bronzed walnut, low sheen A	+\$0
965	smoked walnut, low sheen A	+\$0
966	coffee walnut, low sheen A	+\$0
967	smoked paldao, low sheen A	+\$252
969	warm paldao, low sheen A	+\$252
972	sundance walnut A	+\$0
977	chocolate ash, low sheen A	+\$0
978	natural oak A	+\$0
981	champagne hickory (natural) A	+\$0
98R	recograin rosewood A	+\$0
991	champagne ash A	+\$0
998	ebony ash A	+\$0
99A	recograin frosty ash A	+\$0
99R	recograin rosewood A	+\$0
99T	recograin teak A	+\$0
9A1	white ash, quarter cut, low sheen A	+\$0
9K1	rift oak, rift cut, low sheen A	+\$0
9K6	burnt oak, rift cut, low sheen A	+\$0
G2U	light brown walnut, low sheen A	+\$0
G40	dark brown walnut, low sheen A	+\$0

Premium Veneer - Matte		
<i>For 20" square x 17" high (-2020)</i>		
662	toasted walnut, matte sheen A	+\$0
663	charred walnut, matte sheen A	+\$0
664	bronzed walnut, matte sheen A	+\$0
665	smoked walnut, matte sheen A	+\$0
666	coffee walnut, matte sheen A	+\$0
667	smoked paldao, quarter cut, matte sheen A	+\$252
669	warm paldao, quarter cut, matte sheen A	+\$252
66A	recograin frosty ash A	+\$0
677	chocolate ash, matte sheen A	+\$0
678	natural oak A	+\$0
68R	recograin rosewood A	+\$0
69A	recograin frosty ash A	+\$0
69R	recograin rosewood A	+\$0
69T	recograin teak A	+\$0
6A1	white ash A	+\$0
6K1	rift oak A	+\$0
6K6	burnt oak A	+\$0
ET	clear on ash A	+\$0
EU	oak on ash A	+\$0
EV	walnut on ash A	+\$0
GOU	natural walnut, flat cut, matte sheen A	+\$0

RecoGrain Veneer		
<i>For 20" square x 17" high (-2020)</i>		
68W	recograin walnut, flat cut, matte sheen A	-\$84
69K	recograin oak, quarter cut, matte sheen A	-\$84
69W	recograin walnut, quarter cut, matte sheen A	-\$84

Recon Veneer -		
<i>For 20" square x 17" high (-2020)</i>		
98W	recograin walnut, flat cut, low sheen A	-\$84
99K	recograin oak, quarter cut, low sheen A	-\$84
99W	recograin walnut, quarter cut, low sheen A	-\$84

Full Round Table *continued*

For 24" square x 17" high (-2424)

662	toasted walnut, matte sheen [A]	+\$0
663	charred walnut, matte sheen [A]	+\$0
664	bronzed walnut, matte sheen [A]	+\$0
665	smoked walnut, matte sheen [A]	+\$0
666	coffee walnut, matte sheen [A]	+\$0
667	smoked paldao, quarter cut, matte sheen [A]	+\$285
669	warm paldao, quarter cut, matte sheen [A]	+\$285
66A	frosty ash recograin, quarter cut, matte sheen [A]	+\$0
677	chocolate ash, matte sheen [A]	+\$0
678	natural oak [A]	+\$0
68R	recograin rosewood [A]	+\$0
69A	recograin frosty ash [A]	+\$0
69R	recograin rosewood [A]	+\$0
69T	recograin teak [A]	+\$0
6A1	white ash [A]	+\$0
6K1	rift oak [A]	+\$0
6K6	burnt oak [A]	+\$0
ET	clear on ash [A]	+\$0
EU	oak on ash [A]	+\$0
EV	walnut on ash [A]	+\$0
GOU	natural walnut, flat cut, matte sheen [A]	+\$0

For 24" square x 17" high (-2424)

68W	recograin walnut, flat cut, matte sheen [A]	-\$95
69K	recograin oak, quarter cut, matte sheen [A]	-\$95
69W	recograin walnut, quarter cut, matte sheen [A]	-\$95

For 24" square x 17" high (-2424)

98W	recograin walnut, flat cut, low sheen [A]	-\$95
99K	recograin oak, quarter cut, low sheen [A]	-\$95
99W	recograin walnut, quarter cut, low sheen [A]	-\$95

For 24" square x 17" high (-2424)

931	champagne anigre (natural) [A]	+\$759
932	sundance anigre [A]	+\$759
933	caramel anigre [A]	+\$759
934	henna anigre [A]	+\$759
941	natural beech [A]	+\$0
942	sundance cherry (natural) [A]	+\$0
943	caramel cherry [A]	+\$0
946	cocoa cherry [A]	+\$0
951	natural anigre [A]	+\$759
956	cocoa sapele [A]	+\$0
962	toasted walnut, low sheen [A]	+\$0
963	charred walnut, low sheen [A]	+\$0
964	bronzed walnut, low sheen [A]	+\$0
965	smoked walnut, low sheen [A]	+\$0
966	coffee walnut, low sheen [A]	+\$0
967	smoked paldao, low sheen [A]	+\$285
969	warm paldao, low sheen [A]	+\$285
972	sundance walnut [A]	+\$0
977	chocolate ash, low sheen [A]	+\$0
978	natural oak [A]	+\$0
981	champagne hickory (natural) [A]	+\$0
98R	recograin rosewood [A]	+\$0
991	champagne ash [A]	+\$0
998	ebony ash [A]	+\$0
99A	recograin frosty ash [A]	+\$0
99R	recograin rosewood [A]	+\$0
99T	recograin teak [A]	+\$0
9A1	white ash, quarter cut, low sheen [A]	+\$0
9K1	rift oak, rift cut, low sheen [A]	+\$0
9K6	burnt oak, rift cut, low sheen [A]	+\$0
G2U	light brown walnut, low sheen [A]	+\$0
G40	dark brown walnut, low sheen [A]	+\$0

Full Round Table *continued*

HermanMiller Ancillary—Occasional Tables

<i>For 30" square x 17" high (-3030)</i>		
662	toasted walnut, matte sheen <input type="checkbox"/>	+\$0
663	charred walnut, matte sheen <input type="checkbox"/>	+\$0
664	bronzed walnut, matte sheen <input type="checkbox"/>	+\$0
665	smoked walnut, matte sheen <input type="checkbox"/>	+\$0
666	coffee walnut, matte sheen <input type="checkbox"/>	+\$0
667	smoked paldao, quarter cut, matte sheen <input type="checkbox"/>	+\$341
669	warm paldao, quarter cut, matte sheen <input type="checkbox"/>	+\$341
66A	recograin frosty ash <input type="checkbox"/>	+\$0
677	chocolate ash, matte sheen <input type="checkbox"/>	+\$0
678	natural oak <input type="checkbox"/>	+\$0
68R	recograin rosewood <input type="checkbox"/>	+\$0
69A	recograin frosty ash <input type="checkbox"/>	+\$0
69R	recograin rosewood <input type="checkbox"/>	+\$0
69T	recograin teak <input type="checkbox"/>	+\$0
6A1	white ash <input type="checkbox"/>	+\$0
6K1	rift oak <input type="checkbox"/>	+\$0
6K6	burnt oak <input type="checkbox"/>	+\$0
ET	clear on ash <input type="checkbox"/>	+\$0
EU	oak on ash <input type="checkbox"/>	+\$0
EV	walnut on ash <input type="checkbox"/>	+\$0
GOU	natural walnut, flat cut, matte sheen <input type="checkbox"/>	+\$0

<i>For 30" square x 17" high (-3030)</i>		
68W	recograin walnut, flat cut, matte sheen <input type="checkbox"/>	-\$114
69K	recograin oak, quarter cut, matte sheen <input type="checkbox"/>	-\$114
69W	recograin walnut, quarter cut, matte sheen <input type="checkbox"/>	-\$114

<i>For 30" square x 17" high (-3030)</i>		
98W	recograin walnut, flat cut, low sheen <input type="checkbox"/>	-\$114
99K	recograin oak, quarter cut, low sheen <input type="checkbox"/>	-\$114
99W	recograin walnut, quarter cut, low sheen <input type="checkbox"/>	-\$114

<i>For 30" square x 17" high (-3030)</i>		
931	champagne anigre (natural) <input type="checkbox"/>	+\$909
932	sundance anigre <input type="checkbox"/>	+\$909
933	caramel anigre <input type="checkbox"/>	+\$909
934	henna anigre <input type="checkbox"/>	+\$909
941	natural beech <input type="checkbox"/>	+\$0
942	sundance cherry (natural) <input type="checkbox"/>	+\$0
943	caramel cherry <input type="checkbox"/>	+\$0
946	cocoa cherry <input type="checkbox"/>	+\$0
951	natural anigre <input type="checkbox"/>	+\$909
956	cocoa sapele <input type="checkbox"/>	+\$0
962	toasted walnut, low sheen <input type="checkbox"/>	+\$0
963	charred walnut, low sheen <input type="checkbox"/>	+\$0
964	bronzed walnut, low sheen <input type="checkbox"/>	+\$0
965	smoked walnut, low sheen <input type="checkbox"/>	+\$0
966	coffee walnut, low sheen <input type="checkbox"/>	+\$0
967	smoked paldao, low sheen <input type="checkbox"/>	+\$341
969	warm paldao, low sheen <input type="checkbox"/>	+\$341
972	sundance walnut <input type="checkbox"/>	+\$0
977	chocolate ash, low sheen <input type="checkbox"/>	+\$0
978	natural oak <input type="checkbox"/>	+\$0
981	champagne hickory (natural) <input type="checkbox"/>	+\$0
98R	recograin rosewood <input type="checkbox"/>	+\$0
991	champagne ash <input type="checkbox"/>	+\$0
998	ebony ash <input type="checkbox"/>	+\$0
99A	recograin frosty ash <input type="checkbox"/>	+\$0
99R	recograin rosewood <input type="checkbox"/>	+\$0
99T	recograin teak <input type="checkbox"/>	+\$0
9A1	white ash, quarter cut, low sheen <input type="checkbox"/>	+\$0
9K1	rift oak, rift cut, low sheen <input type="checkbox"/>	+\$0
9K6	burnt oak, rift cut, low sheen <input type="checkbox"/>	+\$0
G2U	light brown walnut, low sheen <input type="checkbox"/>	+\$0
G40	dark brown walnut, low sheen <input type="checkbox"/>	+\$0

Full Round Table *continued*

For 30" deep x 20" wide x 17" high (-3020)

662	toasted walnut, matte sheen [A]	+\$0
663	charred walnut, matte sheen [A]	+\$0
664	bronzed walnut, matte sheen [A]	+\$0
665	smoked walnut, matte sheen [A]	+\$0
666	coffee walnut, matte sheen [A]	+\$0
667	smoked paldao, quarter cut, matte sheen [A]	+\$311
669	warm paldao, quarter cut, matte sheen [A]	+\$311
66A	recograin frosty ash [A]	+\$0
677	chocolate ash, matte sheen [A]	+\$0
678	natural oak [A]	+\$0
68R	recograin rosewood [A]	+\$0
69A	recograin frosty ash [A]	+\$0
69R	recograin rosewood [A]	+\$0
69T	recograin teak [A]	+\$0
6A1	white ash [A]	+\$0
6K1	rift oak [A]	+\$0
6K6	burnt oak [A]	+\$0
ET	clear on ash [A]	+\$0
EU	oak on ash [A]	+\$0
EV	walnut on ash [A]	+\$0
GOU	natural walnut, flat cut, matte sheen [A]	+\$0

For 30" deep x 20" wide x 17" high (-3020)

68W	recograin walnut, flat cut, matte sheen [A]	-\$104
69K	recograin oak, quarter cut, matte sheen [A]	-\$104
69W	recograin walnut, quarter cut, matte sheen [A]	-\$104

For 30" deep x 20" wide x 17" high (-3020)

98W	recograin walnut, flat cut, low sheen [A]	-\$104
99K	recograin oak, quarter cut, low sheen [A]	-\$104
99W	recograin walnut, quarter cut, low sheen [A]	-\$104

For 30" deep x 20" wide x 17" high (-3020)

931	champagne anigre (natural) [A]	+\$829
932	sundance anigre [A]	+\$829
933	caramel anigre [A]	+\$829
934	henna anigre [A]	+\$829
941	natural beech [A]	+\$0
942	sundance cherry (natural) [A]	+\$0
943	caramel cherry [A]	+\$0
946	cocoa cherry [A]	+\$0
951	natural anigre [A]	+\$829
956	cocoa sapele [A]	+\$0
962	toasted walnut, low sheen [A]	+\$0
963	charred walnut, low sheen [A]	+\$0
964	bronzed walnut, low sheen [A]	+\$0
965	smoked walnut, low sheen [A]	+\$0
966	coffee walnut, low sheen [A]	+\$0
967	smoked paldao, low sheen [A]	+\$311
969	warm paldao, low sheen [A]	+\$311
972	sundance walnut [A]	+\$0
977	chocolate ash, low sheen [A]	+\$0
978	natural oak [A]	+\$0
981	champagne hickory (natural) [A]	+\$0
98R	recograin rosewood [A]	+\$0
991	champagne ash [A]	+\$0
998	ebony ash [A]	+\$0
99A	recograin frosty ash [A]	+\$0
99R	recograin rosewood [A]	+\$0
99T	recograin teak [A]	+\$0
9A1	white ash, quarter cut, low sheen [A]	+\$0
9K1	rift oak, rift cut, low sheen [A]	+\$0
9K6	burnt oak, rift cut, low sheen [A]	+\$0
G2U	light brown walnut, low sheen [A]	+\$0
G40	dark brown walnut, low sheen [A]	+\$0

<i>For 40" deep x 20" wide x 17" high (-4020)</i>		
662	toasted walnut, matte sheen <input type="checkbox"/>	+\$0
663	charred walnut, matte sheen <input type="checkbox"/>	+\$0
664	bronzed walnut, matte sheen <input type="checkbox"/>	+\$0
665	smoked walnut, matte sheen <input type="checkbox"/>	+\$0
666	coffee walnut, matte sheen <input type="checkbox"/>	+\$0
667	smoked paldao, quarter cut, matte sheen <input type="checkbox"/>	+\$333
669	warm paldao, quarter cut, matte sheen <input type="checkbox"/>	+\$333
66A	recograin frosty ash <input type="checkbox"/>	+\$0
677	chocolate ash, matte sheen <input type="checkbox"/>	+\$0
678	natural oak <input type="checkbox"/>	+\$0
68R	recograin rosewood <input type="checkbox"/>	+\$0
69A	recograin frosty ash <input type="checkbox"/>	+\$0
69R	recograin rosewood <input type="checkbox"/>	+\$0
69T	recograin teak <input type="checkbox"/>	+\$0
6A1	white ash <input type="checkbox"/>	+\$0
6K1	rift oak <input type="checkbox"/>	+\$0
6K6	burnt oak <input type="checkbox"/>	+\$0
ET	clear on ash <input type="checkbox"/>	+\$0
EU	oak on ash <input type="checkbox"/>	+\$0
EV	walnut on ash <input type="checkbox"/>	+\$0
GOU	natural walnut, flat cut, matte sheen <input type="checkbox"/>	+\$0

<i>For 40" deep x 20" wide x 17" high (-4020)</i>		
68W	recograin walnut, flat cut, matte sheen <input type="checkbox"/>	-\$111
69K	recograin oak, quarter cut, matte sheen <input type="checkbox"/>	-\$111
69W	recograin walnut, quarter cut, matte sheen <input type="checkbox"/>	-\$111

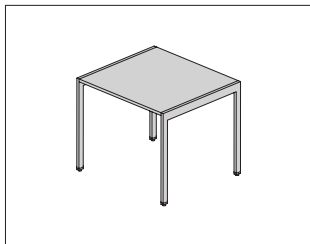
<i>For 40" deep x 20" wide x 17" high (-4020)</i>		
98W	recograin walnut, flat cut, low sheen <input type="checkbox"/>	-\$111
99K	recograin oak, quarter cut, low sheen <input type="checkbox"/>	-\$111
99W	recograin walnut, quarter cut, low sheen <input type="checkbox"/>	-\$111

<i>For 40" deep x 20" wide x 17" high (-4020)</i>		
931	champagne anigre (natural) <input type="checkbox"/>	+\$886
932	sundance anigre <input type="checkbox"/>	+\$886
933	caramel anigre <input type="checkbox"/>	+\$886
934	henna anigre <input type="checkbox"/>	+\$886
941	natural beech <input type="checkbox"/>	+\$0
942	sundance cherry (natural) <input type="checkbox"/>	+\$0
943	caramel cherry <input type="checkbox"/>	+\$0
946	cocoa cherry <input type="checkbox"/>	+\$0
951	natural anigre <input type="checkbox"/>	+\$886
956	cocoa sapele <input type="checkbox"/>	+\$0
962	toasted walnut, low sheen <input type="checkbox"/>	+\$0
963	charred walnut, low sheen <input type="checkbox"/>	+\$0
964	bronzed walnut, low sheen <input type="checkbox"/>	+\$0
965	smoked walnut, low sheen <input type="checkbox"/>	+\$0
966	coffee walnut, low sheen <input type="checkbox"/>	+\$0
967	smoked paldao, low sheen <input type="checkbox"/>	+\$333
969	warm paldao, low sheen <input type="checkbox"/>	+\$333
972	sundance walnut <input type="checkbox"/>	+\$0
977	chocolate ash, low sheen <input type="checkbox"/>	+\$0
978	natural oak <input type="checkbox"/>	+\$0
981	champagne hickory (natural) <input type="checkbox"/>	+\$0
98R	recograin rosewood <input type="checkbox"/>	+\$0
991	champagne ash <input type="checkbox"/>	+\$0
998	ebony ash <input type="checkbox"/>	+\$0
99A	recograin frosty ash <input type="checkbox"/>	+\$0
99R	recograin rosewood <input type="checkbox"/>	+\$0
99T	recograin teak <input type="checkbox"/>	+\$0
9A1	white ash, quarter cut, low sheen <input type="checkbox"/>	+\$0
9K1	rift oak, rift cut, low sheen <input type="checkbox"/>	+\$0
9K6	burnt oak, rift cut, low sheen <input type="checkbox"/>	+\$0
G2U	light brown walnut, low sheen <input type="checkbox"/>	+\$0
G40	dark brown walnut, low sheen <input type="checkbox"/>	+\$0

Step 4. Base Finish		
CHR	chrome <input type="checkbox"/>	+\$0
SAC	satin chrome <input type="checkbox"/>	+\$0

H-Frame Side Table

AWH2G
AWH2S
AWH2W



Product Information

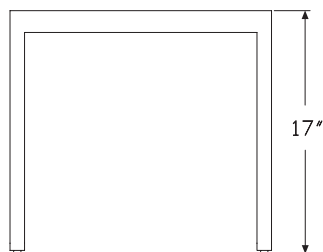
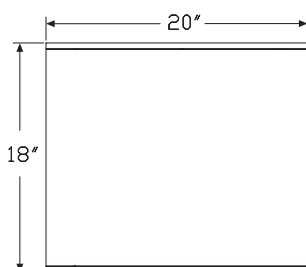
Description

This side table has a wood top and metal base. The dimensions are 18" deep, 20" wide, and 17" high.

Notes

Santos palisander veneer is celebrated for its unique grain and color variations. Similar products ordered in multiples or dissimilar products ordered separately should be expected to have variation in both grain and color characteristics; no two products will look exactly alike.

Dimensions



Specification Information

Step 1.

AWH2 A

Step 2. Top Material

W wood top A

G glass top A

S stone top A

Step 3. Dimensions

-1820 18" deep x 20" wide x 17" high side table A

Prices for Steps 1-3.

AWH2W	-1820	\$2911
AWH2G	-1820	\$2207
AWH2S	-1820	\$3855

H-Frame Side Table *continued*

Step 4. Top Finish

Premium Veneer - Low Sheen

For wood top (W)

931	champagne anigre (natural) [A]	+\$802
932	sundance anigre [A]	+\$802
933	caramel anigre [A]	+\$802
934	henna anigre [A]	+\$802
940	sundance cherry on maple [A]	+\$0
941	natural beech [A]	+\$0
942	sundance cherry (natural) [A]	+\$0
943	caramel cherry [A]	+\$0
946	cocoa cherry [A]	+\$0
951	natural anigre [A]	+\$802
956	cocoa sapele [A]	+\$0
962	toasted walnut, low sheen [A]	+\$0
963	charred walnut, low sheen [A]	+\$0
964	bronzed walnut, low sheen [A]	+\$0
965	smoked walnut, low sheen [A]	+\$0
966	coffee walnut, low sheen [A]	+\$0
967	smoked paldao, low sheen [A]	+\$301
969	warm paldao, low sheen [A]	+\$301
972	sundance walnut [A]	+\$0
977	chocolate ash, low sheen [A]	+\$0
978	natural oak [A]	+\$0
981	champagne hickory (natural) [A]	+\$0
98R	recograin rosewood [A]	+\$0
991	champagne ash [A]	+\$0
998	ebony ash [A]	+\$0
99A	recograin frosty ash [A]	+\$0
99R	recograin rosewood [A]	+\$0
99T	recograin teak [A]	+\$0
9A1	white ash, quarter cut, low sheen [A]	+\$0
9K1	rift oak, rift cut, low sheen [A]	+\$0
9K6	burnt oak, rift cut, low sheen [A]	+\$0
G2U	light brown walnut, low sheen [A]	+\$0
G40	dark brown walnut, low sheen [A]	+\$0

Premium Veneer - Matte

For wood top (W)

662	toasted walnut, matte sheen [A]	+\$0
663	charred walnut, matte sheen [A]	+\$0
664	bronzed walnut, matte sheen [A]	+\$0
665	smoked walnut, matte sheen [A]	+\$0
666	coffee walnut, matte sheen [A]	+\$0
667	smoked paldao, quarter cut, matte sheen [A]	+\$301
669	warm paldao, quarter cut, matte sheen [A]	+\$301
66A	recograin frosty ash [A]	+\$0
677	chocolate ash, matte sheen [A]	+\$0
678	natural oak [A]	+\$0
68R	recograin rosewood [A]	+\$0
69A	recograin frosty ash [A]	+\$0
69R	recograin rosewood [A]	+\$0
69T	recograin teak [A]	+\$0
6A1	white ash [A]	+\$0
6K1	rift oak [A]	+\$0
6K6	burnt oak [A]	+\$0
ET	clear on ash [A]	+\$0
EU	oak on ash [A]	+\$0
EV	walnut on ash [A]	+\$0
GOU	natural walnut, flat cut, matte sheen [A]	+\$0

RecoGrain Veneer

For wood top (W)

68W	recograin walnut, flat cut, matte sheen [A]	-\$101
69K	recograin oak, quarter cut, matte sheen [A]	-\$101
69W	recograin walnut, quarter cut, matte sheen [A]	-\$101

Recon Veneer -

For wood top (W)

98W	recograin walnut, flat cut, low sheen [A]	-\$101
99K	recograin oak, quarter cut, low sheen [A]	-\$101
99W	recograin walnut, quarter cut, low sheen [A]	-\$101

Glass

For glass top (G)

CGL	clear glass [A]	+\$0
GE1	etched glass [A]	+\$133

H-Frame Side Table *continued*

For stone top (S)

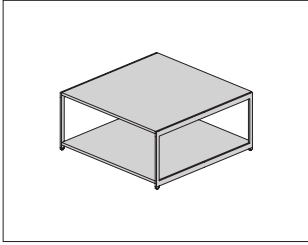
200	perfato marble <input type="checkbox"/> A	+\$0
250	verde antique marble <input type="checkbox"/> A	+\$0
400	black granite <input type="checkbox"/> A	+\$0
5U	georgia grey marble <input type="checkbox"/> A	+\$0
800	autumn brown granite <input type="checkbox"/> A	+\$0
960	white carrara marble <input type="checkbox"/> A	+\$0

Step 5. Metal Finish

CHR	chrome <input type="checkbox"/> A	+\$0
SAC	satin chrome <input type="checkbox"/> A	+\$0

H-Frame Coffee Table

AWH2G
AWH2S
AWH2W



Product Information

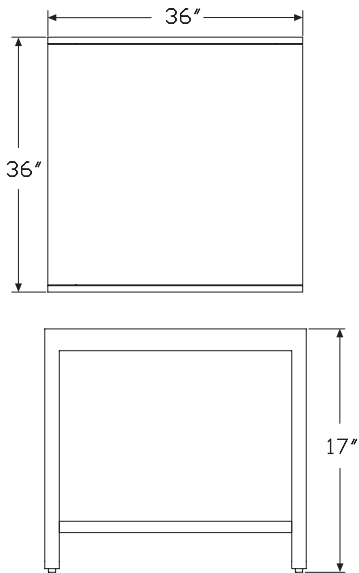
Description

This coffee table has a wood top and metal base. The dimensions are 36" deep, 36" wide, and 17" high.

Notes

Santos palisander veneer is celebrated for its unique grain and color variations. Similar products ordered in multiples or dissimilar products ordered separately should be expected to have variation in both grain and color characteristics; no two products will look exactly alike.

Dimensions



Specification Information

Step 1.

AWH2 A

Step 2. Top Material

- W** wood top A
- G** glass top A
- S** stone top A

Step 3. Dimensions

-3636 36" deep x 36" wide x 17" high coffee table A

Prices for Steps 1-3.

AWH2W -3636	\$5266
AWH2G -3636	\$4705
AWH2S -3636	\$10054

H-Frame Coffee Table *continued*

Step 4. Top Finish

<i>For wood top (W)</i>		
931	champagne anigre (natural) [A]	+\$1451
932	sundance anigre [A]	+\$1451
933	caramel anigre [A]	+\$1451
934	henna anigre [A]	+\$1451
941	natural beech [A]	+\$0
942	sundance cherry (natural) [A]	+\$0
943	caramel cherry [A]	+\$0
946	cocoa cherry [A]	+\$0
951	natural anigre [A]	+\$1451
956	cocoa sapele [A]	+\$0
962	toasted walnut, low sheen [A]	+\$0
963	charred walnut, low sheen [A]	+\$0
964	bronzed walnut, low sheen [A]	+\$0
965	smoked walnut, low sheen [A]	+\$0
966	coffee walnut, low sheen [A]	+\$0
967	smoked paldao, low sheen [A]	+\$544
969	warm paldao, low sheen [A]	+\$544
972	sundance walnut [A]	+\$0
977	chocolate ash, low sheen [A]	+\$0
978	natural oak [A]	+\$0
981	champagne hickory (natural) [A]	+\$0
98R	recograin rosewood [A]	+\$0
991	champagne ash [A]	+\$0
998	ebony ash [A]	+\$0
99A	recograin frosty ash [A]	+\$0
99R	recograin rosewood [A]	+\$0
99T	recograin teak [A]	+\$0
9A1	white ash, quarter cut, low sheen [A]	+\$0
9K1	rift oak, rift cut, low sheen [A]	+\$0
9K6	burnt oak, rift cut, low sheen [A]	+\$0
G2U	light brown walnut, low sheen [A]	+\$0
G40	dark brown walnut, low sheen [A]	+\$0

<i>For wood top (W)</i>		
662	toasted walnut, matte sheen [A]	+\$0
663	charred walnut, matte sheen [A]	+\$0
664	bronzed walnut, matte sheen [A]	+\$0
665	smoked walnut, matte sheen [A]	+\$0
666	coffee walnut, matte sheen [A]	+\$0
667	smoked paldao, quarter cut, matte sheen [A]	+\$544
669	warm paldao, quarter cut, matte sheen [A]	+\$544
66A	recograin frosty ash [A]	+\$0
677	chocolate ash, matte sheen [A]	+\$0
678	natural oak [A]	+\$0
68R	recograin rosewood [A]	+\$0
69A	recograin frosty ash [A]	+\$0
69R	recograin rosewood [A]	+\$0
69T	recograin teak [A]	+\$0
6A1	white ash [A]	+\$0
6K1	rift oak [A]	+\$0
6K6	burnt oak [A]	+\$0
ET	clear on ash [A]	+\$0
EU	oak on ash [A]	+\$0
EV	walnut on ash [A]	+\$0
GOU	natural walnut, flat cut, matte sheen [A]	+\$0

<i>For wood top (W)</i>		
68W	recograin walnut, flat cut, matte sheen [A]	-\$182
69K	recograin oak, quarter cut, matte sheen [A]	-\$182
69W	recograin walnut, quarter cut, matte sheen [A]	-\$182

<i>For wood top (W)</i>		
98W	recograin walnut, flat cut, low sheen [A]	-\$182
99K	recograin oak, quarter cut, low sheen [A]	-\$182
99W	recograin walnut, quarter cut, low sheen [A]	-\$182

Glass		
<i>For glass top (G)</i>		
CGL	clear glass [A]	+\$0
GE1	etched glass [A]	+\$133

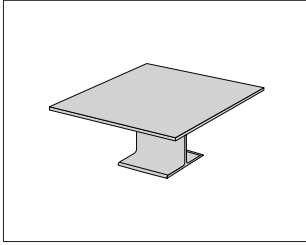
Stone		
<i>For stone top (S)</i>		
200	perfato marble [A]	+\$0
250	verde antique marble [A]	+\$0
400	black granite [A]	+\$0
5U	georgia grey marble [A]	+\$0
800	autumn brown granite [A]	+\$0
960	white carrara marble [A]	+\$0

H-Frame Coffee Table *continued*

Step 5. Metal Finish		
CHR	chrome <input type="checkbox"/>	+\$0
SAC	satin chrome <input type="checkbox"/>	+\$0

I-Beam Coffee Table

AWB2G
AWB2M

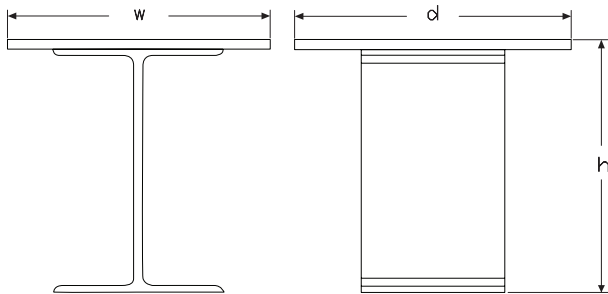


Product Information

Description

This coffee table has an aluminum base and glass top.

Dimensions



Specification Information

Step 1.

AWB A

Step 2. Table Type

2 coffee table A

Step 3. Top Material

M marble top A

G glass top A

Step 4. Size

For coffee table (2) with glass top (G)

-363615 36" deep x 36" wide x 15 1/4" high A

-404015 40" deep x 40" wide x 15 1/4" high A

For coffee table (2) with marble top (M)

-363616 36" deep x 36" wide x 16" high A

-404016 40" deep x 40" wide x 16" high A

Prices for Steps 1-4.

AWB2M	-363616	\$7546
	-404016	\$8250

AWB2G	-363615	\$3740
	-404015	\$4021

Step 5. Top Finish

For marble top (M)

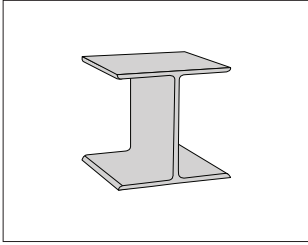
200	perfato marble <input type="checkbox"/> A	+\$0
250	verde antique marble <input type="checkbox"/> A	+\$0
400	black granite <input type="checkbox"/> A	+\$0
5U	georgia grey marble <input type="checkbox"/> A	+\$0
800	autumn brown granite <input type="checkbox"/> A	+\$0
960	white carrara marble <input type="checkbox"/> A	+\$0

For glass top (G)

CGL	3/4" thick clear glass <input type="checkbox"/> A	+\$0
-----	---------------------------------------------------	------

I-Beam Side Table

AWB1Z

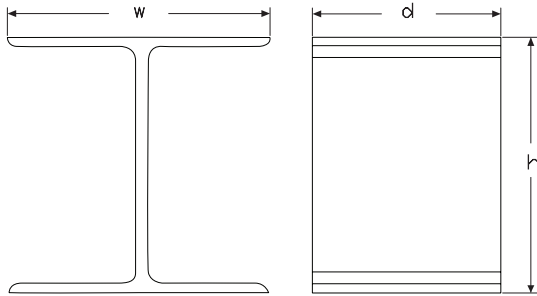


Product Information

Description

This side table has an aluminum base and no top.

Dimensions



Specification Information

Step 1.

AWB A

Step 2. Table Type

1 side table A

Step 3. Top Material

Z no top A

Step 4. Size

-161615 16" deep x 16" wide x 14 1/2" high A

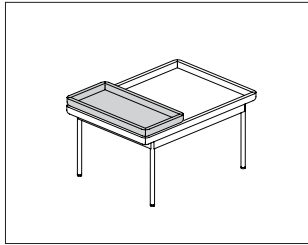
-181815 18" deep x 18" wide x 14 1/2" high A

Prices for Steps 1-4.

AWB1Z	-161615	\$2435
	-181815	\$2612

Tuxedo Component Lounge Tables Tray

AXT3-

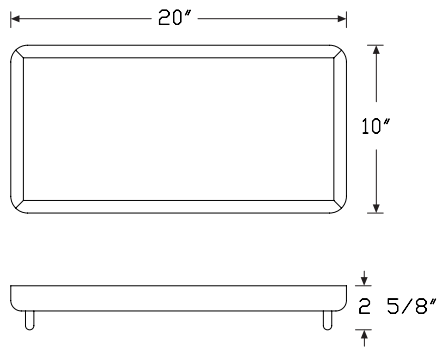


Product Information

Description

This tray comes in solid ash or walnut.

Dimensions



Specification Information

Step 1.

AXT3

Step 2. Depth

-10 10" deep

Step 3. Width

20 20" wide

Prices for Steps 1-3.

AXT3-10 20 \$1112

Step 4. Wood Finish

Matte Finishes

662	toasted walnut, matte sheen <input type="checkbox"/>	+\$0
663	charred walnut, matte sheen <input type="checkbox"/>	+\$0
664	bronzed walnut, matte sheen <input type="checkbox"/>	+\$0
665	smoked walnut, matte sheen <input type="checkbox"/>	+\$0
666	coffee walnut, matte sheen <input type="checkbox"/>	+\$0
667	smoked paldao, quarter cut, matte sheen <input type="checkbox"/>	+\$0
669	warm paldao, quarter cut, matte sheen <input type="checkbox"/>	+\$0
66A	recograin frosty ash <input type="checkbox"/>	+\$0
677	chocolate ash, matte sheen <input type="checkbox"/>	+\$0
68R	recograin rosewood <input type="checkbox"/>	+\$0
69A	recograin frosty ash <input type="checkbox"/>	+\$0
69R	recograin rosewood <input type="checkbox"/>	+\$0
69T	recograin teak <input type="checkbox"/>	+\$0
6K1	rift oak <input type="checkbox"/>	+\$0
ET	clear on ash <input type="checkbox"/>	+\$0
EU	oak on ash <input type="checkbox"/>	+\$0
EV	walnut on ash <input type="checkbox"/>	+\$0
GOU	natural walnut, flat cut, matte sheen <input type="checkbox"/>	+\$0
6A1	white ash <input type="checkbox"/>	+\$0
6K6	burnt oak <input type="checkbox"/>	+\$0
932	sundance anigre <input type="checkbox"/>	+\$0
933	caramel anigre <input type="checkbox"/>	+\$0
934	henna anigre <input type="checkbox"/>	+\$0
940	sundance cherry on maple <input type="checkbox"/>	+\$0
962	toasted walnut, low sheen <input type="checkbox"/>	+\$0
963	charred walnut, low sheen <input type="checkbox"/>	+\$0
964	bronzed walnut, low sheen <input type="checkbox"/>	+\$0
965	smoked walnut, low sheen <input type="checkbox"/>	+\$0
966	coffee walnut, low sheen <input type="checkbox"/>	+\$0
967	smoked paldao, low sheen <input type="checkbox"/>	+\$0
969	warm paldao, low sheen <input type="checkbox"/>	+\$0

Tuxedo Component Lounge Tables

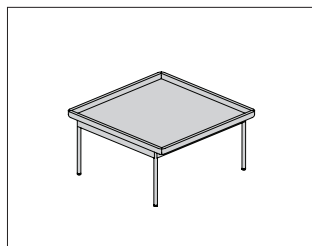
Tray *continued*

HermanMiller Ancillary--Occasional Tables

972	sundance walnut	A	+\$0
977	chocolate ash, low sheen	A	+\$0
98R	recograin rosewood	A	+\$0
991	champagne ash	A	+\$0
99A	recograin frosty ash	A	+\$0
99R	recograin rosewood	A	+\$0
99T	recograin teak	A	+\$0
9A1	white ash, quarter cut, low sheen	A	+\$0
9K1	rift oak, rift cut, low sheen	A	+\$0
9K6	burnt oak, rift cut, low sheen	A	+\$0
G2U	light brown walnut, low sheen	A	+\$0
G40	dark brown walnut, low sheen	A	+\$0
943	caramel cherry	A	+\$0
946	cocoa cherry	A	+\$0
956	cocoa sapele	A	+\$0
998	ebony ash	A	+\$0
68W	recograin walnut, flat cut, matte sheen	A	+\$0
69W	recograin walnut, quarter cut, matte sheen	A	+\$0
98W	recograin walnut, flat cut, low sheen	A	+\$0
99W	recograin walnut, quarter cut, low sheen	A	+\$0

Tuxedo Component Lounge Tables Square

AXW2-

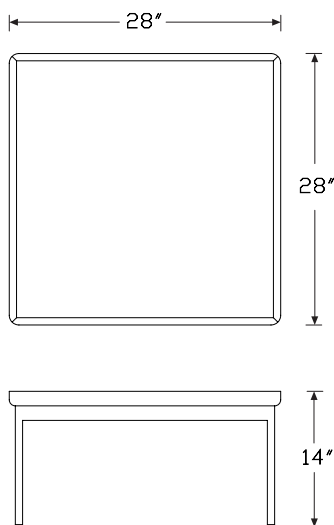


Product Information

Description

This square table has a steel plated metal base with a solid ash or walnut top 1½" thick.

Dimensions



Specification Information

Step 1.

AXW2

Step 2. Depth

-28 28" deep

Step 3. Width

28 28" wide

Prices for Steps 1-3.

AXW2-28 28 \$2328

Step 4. Wood Finish

Matte Finishes

662	toasted walnut, matte sheen <input type="checkbox"/>	+\$0
663	charred walnut, matte sheen <input type="checkbox"/>	+\$0
664	bronzed walnut, matte sheen <input type="checkbox"/>	+\$0
665	smoked walnut, matte sheen <input type="checkbox"/>	+\$0
666	coffee walnut, matte sheen <input type="checkbox"/>	+\$0
667	smoked paldao, quarter cut, matte sheen <input type="checkbox"/>	+\$0
669	warm paldao, quarter cut, matte sheen <input type="checkbox"/>	+\$0
66A	frosty ash recognrain, quarter cut, matte sheen <input type="checkbox"/>	+\$0
677	chocolate ash, matte sheen <input type="checkbox"/>	+\$0
68R	recognrain rosewood <input type="checkbox"/>	+\$0
69A	recognrain frosty ash <input type="checkbox"/>	+\$0
69R	recognrain rosewood <input type="checkbox"/>	+\$0
69T	recognrain teak <input type="checkbox"/>	+\$0
6K1	rift oak <input type="checkbox"/>	+\$0
ET	clear on ash <input type="checkbox"/>	+\$0
EU	oak on ash <input type="checkbox"/>	+\$0
EV	walnut on ash <input type="checkbox"/>	+\$0
GOU	natural walnut, flat cut, matte sheen <input type="checkbox"/>	+\$0
6A1	white ash <input type="checkbox"/>	+\$0
6K6	burnt oak <input type="checkbox"/>	+\$0

Tuxedo Component Lounge Tables

Square *continued*

Premium Veneer - Low Sheen

932	sundance anigre <input type="checkbox"/>	+\$0
933	caramel anigre <input type="checkbox"/>	+\$0
934	henna anigre <input type="checkbox"/>	+\$0
940	sundance cherry on maple <input type="checkbox"/>	+\$0
962	toasted walnut, low sheen <input type="checkbox"/>	+\$0
963	charred walnut, low sheen <input type="checkbox"/>	+\$0
964	bronzed walnut, low sheen <input type="checkbox"/>	+\$0
965	smoked walnut, low sheen <input type="checkbox"/>	+\$0
966	coffee walnut, low sheen <input type="checkbox"/>	+\$0
967	smoked paldao, low sheen <input type="checkbox"/>	+\$0
969	warm paldao, low sheen <input type="checkbox"/>	+\$0
972	sundance walnut <input type="checkbox"/>	+\$0
977	chocolate ash, low sheen <input type="checkbox"/>	+\$0
98R	recoGrain rosewood <input type="checkbox"/>	+\$0
991	champagne ash <input type="checkbox"/>	+\$0
99A	recoGrain frosty ash <input type="checkbox"/>	+\$0
99R	recoGrain rosewood <input type="checkbox"/>	+\$0
99T	recoGrain teak <input type="checkbox"/>	+\$0
9A1	white ash, quarter cut, low sheen <input type="checkbox"/>	+\$0
9K1	rift oak, rift cut, low sheen <input type="checkbox"/>	+\$0
9K6	burnt oak, rift cut, low sheen <input type="checkbox"/>	+\$0
G2U	light brown walnut, low sheen <input type="checkbox"/>	+\$0
G40	dark brown walnut, low sheen <input type="checkbox"/>	+\$0
943	caramel cherry <input type="checkbox"/>	+\$0
946	cocoa cherry <input type="checkbox"/>	+\$0
956	cocoa sapele <input type="checkbox"/>	+\$0
998	ebony ash <input type="checkbox"/>	+\$0

RecoGrain Veneer

68W	recoGrain walnut, flat cut, matte sheen <input type="checkbox"/>	+\$0
69W	recoGrain walnut, quarter cut, matte sheen <input type="checkbox"/>	+\$0

Recon Veneer -

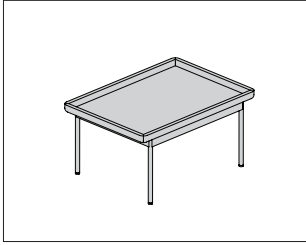
98W	recoGrain walnut, flat cut, low sheen <input type="checkbox"/>	+\$0
99W	recoGrain walnut, quarter cut, low sheen <input type="checkbox"/>	+\$0

Step 5. Base Finish

926	black <input type="checkbox"/>	+\$0
AS	arctic silver <input type="checkbox"/>	+\$0
WHT	white <input type="checkbox"/>	+\$0
CHR	chrome <input type="checkbox"/>	+\$307
SAC	satin chrome <input type="checkbox"/>	+\$307

Tuxedo Component Lounge Tables Rectangular

AXW3-

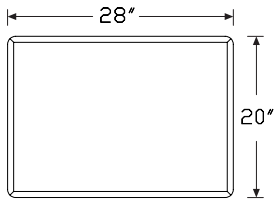


Product Information

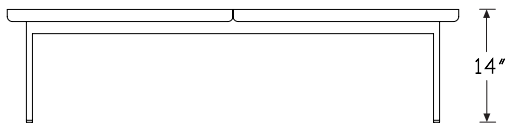
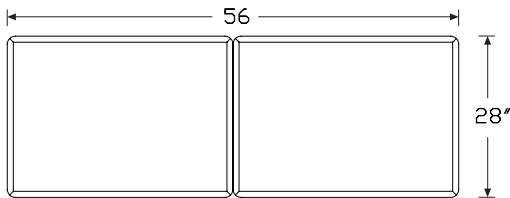
Description

This rectangular table has a steel plated metal base with a 1-piece or 2-piece solid ash or walnut top 1½" thick.

Dimensions



Tuxedo One Piece Table



Tuxedo Two Piece Tables

Specification Information

Step 1.

AXW3

Step 2. Depth

-20 20" deep

-28 28" deep

Step 3. Width

For 20" deep (-20)

28 28" wide, one piece

For 28" deep (-28)

56 56" wide, two pieces

Prices for Steps 1-3.

AXW3-20 28 \$2061

AXW3-28 56 \$3880

Step 4. Wood Finish

Matte Finishes

662	toasted walnut, matte sheen <input type="checkbox"/>	+\$0
663	charred walnut, matte sheen <input type="checkbox"/>	+\$0
664	bronzed walnut, matte sheen <input type="checkbox"/>	+\$0
665	smoked walnut, matte sheen <input type="checkbox"/>	+\$0
666	coffee walnut, matte sheen <input type="checkbox"/>	+\$0
667	smoked paldao, quarter cut, matte sheen <input type="checkbox"/>	+\$0
669	warm paldao, quarter cut, matte sheen <input type="checkbox"/>	+\$0
66A	recograin frosty ash <input type="checkbox"/>	+\$0
677	chocolate ash, matte sheen <input type="checkbox"/>	+\$0
68R	recograin rosewood <input type="checkbox"/>	+\$0
69A	recograin frosty ash <input type="checkbox"/>	+\$0
69R	recograin rosewood <input type="checkbox"/>	+\$0
69T	recograin teak <input type="checkbox"/>	+\$0
6K1	rift oak <input type="checkbox"/>	+\$0
ET	clear on ash <input type="checkbox"/>	+\$0
EU	oak on ash <input type="checkbox"/>	+\$0
EV	walnut on ash <input type="checkbox"/>	+\$0
GOU	natural walnut, flat cut, matte sheen <input type="checkbox"/>	+\$0
6A1	white ash <input type="checkbox"/>	+\$0
6K6	burnt oak <input type="checkbox"/>	+\$0
932	sundance anigre <input type="checkbox"/>	+\$0
933	caramel anigre <input type="checkbox"/>	+\$0
934	henna anigre <input type="checkbox"/>	+\$0

Tuxedo Component Lounge Tables

Rectangular *continued*

HermanMiller Ancillary—Occasional Tables

940	sundance cherry on maple	A	+\$0
962	toasted walnut, low sheen	A	+\$0
963	charred walnut, low sheen	A	+\$0
964	bronzed walnut, low sheen	A	+\$0
965	smoked walnut, low sheen	A	+\$0
966	coffee walnut, low sheen	A	+\$0
967	smoked paldao, low sheen	A	+\$0
969	warm paldao, low sheen	A	+\$0
972	sundance walnut	A	+\$0
977	chocolate ash, low sheen	A	+\$0
98R	recoGrain rosewood	A	+\$0
991	champagne ash	A	+\$0
99A	recoGrain frosty ash	A	+\$0
99R	recoGrain rosewood	A	+\$0
99T	recoGrain teak	A	+\$0
9A1	white ash, quarter cut, low sheen	A	+\$0
9K1	rift oak, rift cut, low sheen	A	+\$0
9K6	burnt oak, rift cut, low sheen	A	+\$0
G2U	light brown walnut, low sheen	A	+\$0
G40	dark brown walnut, low sheen	A	+\$0
943	caramel cherry	A	+\$0
946	cocoa cherry	A	+\$0
956	cocoa sapele	A	+\$0
998	ebony ash	A	+\$0

RecoGrain Veneer

68W	recoGrain walnut, flat cut, matte sheen	A	+\$0
69W	recoGrain walnut, quarter cut, matte sheen	A	+\$0

Recon Veneer -

98W	recoGrain walnut, flat cut, low sheen	A	+\$0
99W	recoGrain walnut, quarter cut, low sheen	A	+\$0

Step 5. Base Finish

For 20" deep (-20) with 28" wide, one piece (28)

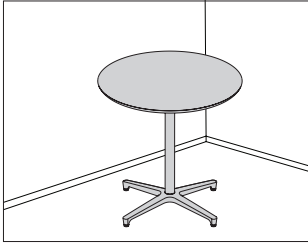
926	black	A	+\$0
AS	arctic silver	A	+\$0
WHT	white	A	+\$0
CHR	chrome	A	+\$307
SAC	satin chrome	A	+\$307

For 28" deep (-28) with 56" wide, two pieces (56)

926	black	A	+\$0
AS	arctic silver	A	+\$0
WHT	white	A	+\$0
CHR	chrome	A	+\$671
SAC	satin chrome	A	+\$671

Saiba Table Wood Top

ASB1A
ASB1W

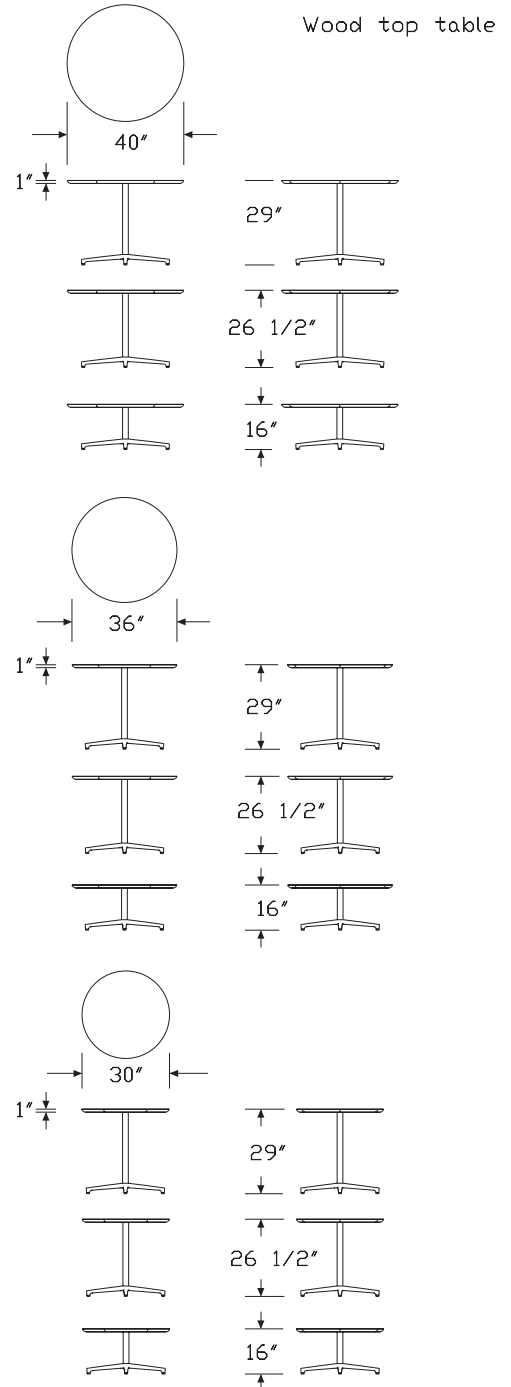


Product Information

Description

This table has an aluminum base with a veneer top and is available in 3 heights and 3 top diameters.

Dimensions



Specification Information

Step 1.

ASB1

Step 2. Top

A- ash

W- walnut

Step 3. Height

16 16" coffee table height

26 26.5" work table height

29 29" standard table height

Step 4. Diameter

30 30" diameter wood top

36 36" diameter wood top

40 40" diameter wood top

Prices for Steps 1-4.

		30	36	40
ASB1A-	16	\$2305	2521	2737
	26	\$2379	2592	2807
	29	\$2449	2664	2879
ASB1W-	16	\$2449	2664	2879
	26	\$2521	2737	2952
	29	\$2592	2807	3024

Step 5. Wood Finish

Low Sheen Finishes (on Ash)

For ash (A-)

932	sundance anigre <input type="checkbox"/>	+\$0
933	caramel anigre <input type="checkbox"/>	+\$0
934	henna anigre <input type="checkbox"/>	+\$0
940	sundance cherry on maple <input type="checkbox"/>	+\$0
962	toasted walnut, low sheen <input type="checkbox"/>	+\$0
963	charred walnut, low sheen <input type="checkbox"/>	+\$0
964	bronzed walnut, low sheen <input type="checkbox"/>	+\$0
965	smoked walnut, low sheen <input type="checkbox"/>	+\$0
966	coffee walnut, low sheen <input type="checkbox"/>	+\$0
967	smoked paldao, low sheen <input type="checkbox"/>	+\$0
969	warm paldao, low sheen <input type="checkbox"/>	+\$0
977	chocolate ash, low sheen <input type="checkbox"/>	+\$0
98R	recograin rosewood <input type="checkbox"/>	+\$0
99A	recograin frosty ash <input type="checkbox"/>	+\$0
99R	recograin rosewood <input type="checkbox"/>	+\$0
99T	recograin teak <input type="checkbox"/>	+\$0
9A1	white ash, quarter cut, low sheen <input type="checkbox"/>	+\$0
9K1	rift oak, rift cut, low sheen <input type="checkbox"/>	+\$0
9K6	burnt oak, rift cut, low sheen <input type="checkbox"/>	+\$0
G2U	light brown walnut, low sheen <input type="checkbox"/>	+\$0
G40	dark brown walnut, low sheen <input type="checkbox"/>	+\$0
943	caramel cherry <input type="checkbox"/>	+\$0
946	cocoa cherry <input type="checkbox"/>	+\$0
956	cocoa sapele <input type="checkbox"/>	+\$0
991	champagne ash <input type="checkbox"/>	+\$0
998	ebony ash <input type="checkbox"/>	+\$0

Low Sheen Finishes (on Ash)

For ash (A-)

98W	recograin walnut, flat cut, low sheen <input type="checkbox"/>	+\$0
99W	recograin walnut, quarter cut, low sheen <input type="checkbox"/>	+\$0

Saiba Table Wood Top *continued*

Matte Sheen Finishes (on Ash)

For ash (A-)

66A	frosty ash recograin, quarter cut, matte sheen <input type="checkbox"/>	+\$0
677	chocolate ash, matte sheen <input type="checkbox"/>	+\$0
68R	recograin rosewood <input type="checkbox"/>	+\$0
69A	recograin frosty ash <input type="checkbox"/>	+\$0
69R	recograin rosewood <input type="checkbox"/>	+\$0
69T	recograin teak <input type="checkbox"/>	+\$0
6K1	rift oak <input type="checkbox"/>	+\$0
ET	clear on ash <input type="checkbox"/>	+\$0
EU	oak on ash <input type="checkbox"/>	+\$0
EV	walnut on ash <input type="checkbox"/>	+\$0
GOU	natural walnut, flat cut, matte sheen <input type="checkbox"/>	+\$0
6A1	white ash <input type="checkbox"/>	+\$0
6K6	burnt oak <input type="checkbox"/>	+\$0

Matte Sheen Finishes (on Ash)

For ash (A-)

68W	recograin walnut, flat cut, matte sheen <input type="checkbox"/>	+\$0
69W	recograin walnut, quarter cut, matte sheen <input type="checkbox"/>	+\$0

Premium Veneer - Matte

For walnut (W-)

662	toasted walnut, matte sheen <input type="checkbox"/>	+\$0
663	charred walnut, matte sheen <input type="checkbox"/>	+\$0
664	bronzed walnut, matte sheen <input type="checkbox"/>	+\$0
665	smoked walnut, matte sheen <input type="checkbox"/>	+\$0
666	coffee walnut, matte sheen <input type="checkbox"/>	+\$0
667	smoked paldao, quarter cut, matte sheen <input type="checkbox"/>	+\$0
669	warm paldao, quarter cut, matte sheen <input type="checkbox"/>	+\$0
68R	recograin rosewood <input type="checkbox"/>	+\$0
69R	recograin rosewood <input type="checkbox"/>	+\$0
GOU	natural walnut, flat cut, matte sheen <input type="checkbox"/>	+\$0

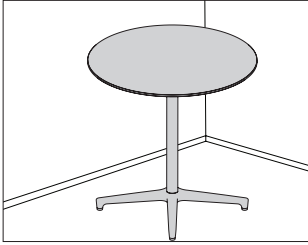
Low Sheen Finishes (on Walnut)

For walnut (W-)

962	toasted walnut, low sheen <input type="checkbox"/>	+\$0
963	charred walnut, low sheen <input type="checkbox"/>	+\$0
964	bronzed walnut, low sheen <input type="checkbox"/>	+\$0
965	smoked walnut, low sheen <input type="checkbox"/>	+\$0
966	coffee walnut, low sheen <input type="checkbox"/>	+\$0
967	smoked paldao, low sheen <input type="checkbox"/>	+\$0
969	warm paldao, low sheen <input type="checkbox"/>	+\$0
972	sundance walnut <input type="checkbox"/>	+\$0
98R	recograin rosewood <input type="checkbox"/>	+\$0
99R	recograin rosewood <input type="checkbox"/>	+\$0
G2U	light brown walnut, low sheen <input type="checkbox"/>	+\$0
G40	dark brown walnut, low sheen <input type="checkbox"/>	+\$0

Step 6. Base Finish

926	black <input type="checkbox"/>	+\$0
CHR	chrome <input type="checkbox"/>	+\$0



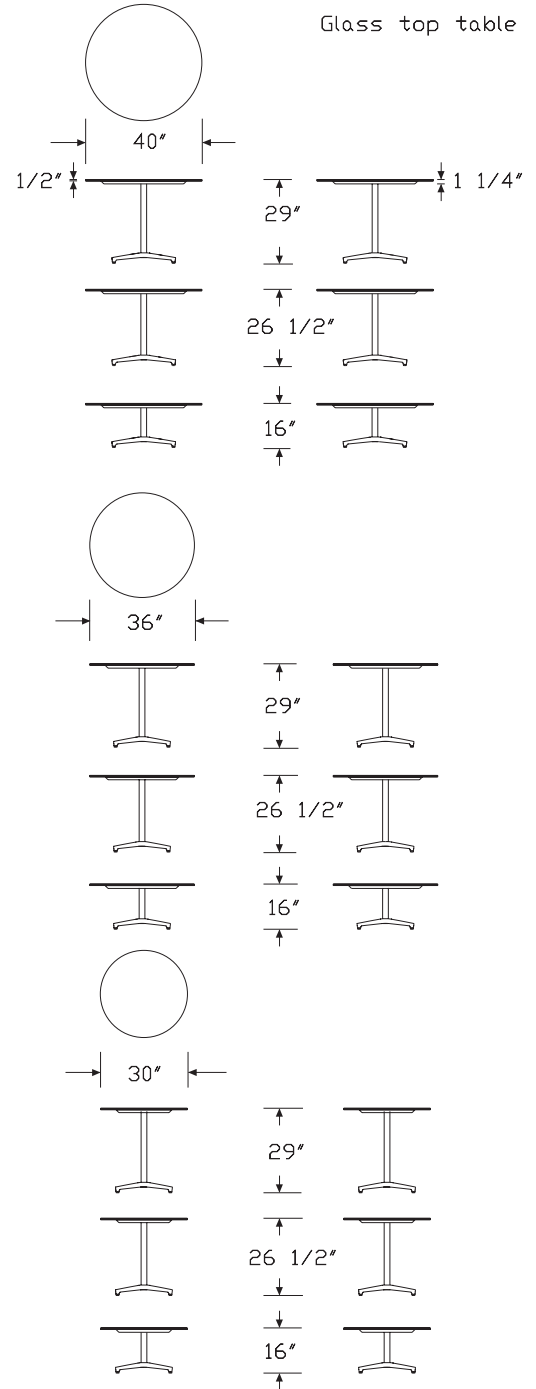
Product Information

Description

This table has an aluminum base with a 3/8" tempered, back-painted glass top. Available in 3 heights and 3 top diameters.

HermanMiller Ancillary--Occasional Tables

Dimensions



Specification Information

Step 1.

ASB1G- A

Step 2. Height

16 16" coffee table height A

26 26.5" work table height A

29 29" standard table height A

Step 3. Diameter

30 30" diameter wood top A

36 36" diameter wood top A

40 40" diameter wood top A

Prices for Steps 1-3.

	30	36	40
ASB1G- 16	\$2879	3597	4319
26	\$2952	3671	4390
29	\$3024	3743	4462

Step 4. Glass Option

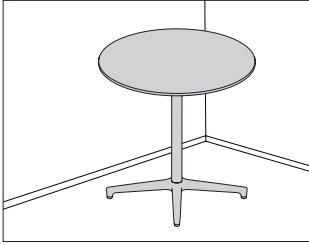
GBB back-painted black glass A +\$0

GBP back-painted white glass A +\$0

Step 5. Base Finish

926 black A +\$0

CHR chrome A +\$0



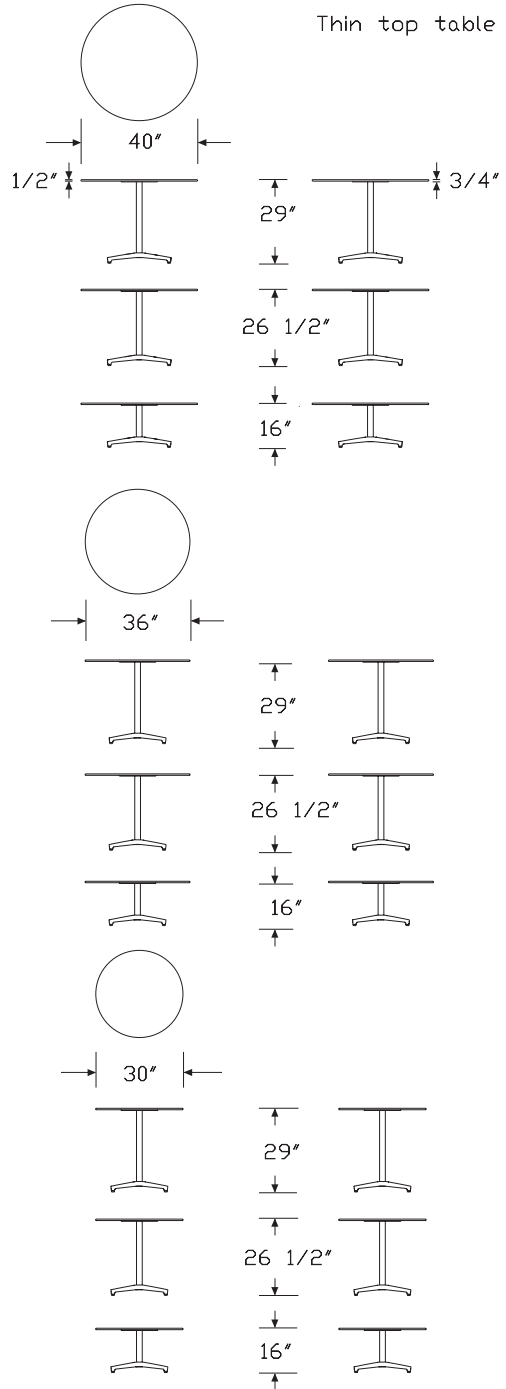
Product Information

Description

This table has an aluminum base with a thin profile high-pressure laminate top and is available in 3 heights and 3 top diameters.

HermanMiller Ancillary--Occasional Tables

Dimensions



Specification Information

Step 1.

ASB1T- A

Step 2. Height

16 16" coffee table height A

26 26.5" work table height A

29 29" standard table height A

Step 3. Diameter

30 30" diameter wood top A

36 36" diameter wood top A

40 40" diameter wood top A

Prices for Steps 1-3.

	30	36	40
ASB1T- 16	\$1872	2305	2879
26	\$1944	2379	2952
29	\$2016	2449	3024

Step 4. Thin Profile HPL with Black Edge Option

91 white (CP) A +\$0

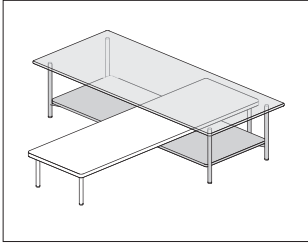
BK black A +\$0

Step 5. Base Finish

926 black A +\$0

CHR chrome A +\$0

Layer Occasional Table, High Nesting ALNHS

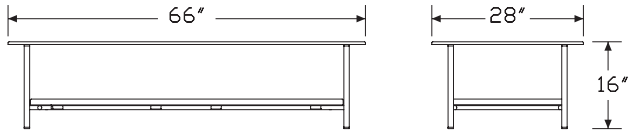


HermanMiller Ancillary--Occasional Tables

Product Information

Description
 This table has a stainless steel frame and a 1/2" thick low-iron tempered glass top with radiused top edge and radiused corners. The wood shelf is 1" thick with plank veneer layup and solid wood edge. Wood shelf is finished to match color and sheen of the specified wood finish.

Dimensions



Specification Information

Step 1.

ALNH

Step 2. Shelf Material

- SA-** ash shelf
- SN-** no shelf
- SS-** stone shelf
- SW-** walnut shelf

Step 3. Width

66Z 66" wide

Step 4. Depth

28Z 28" deep

Step 5. Height

16Z 16" high

Prices for Steps 1-5.

	16Z
ALNHSA- 66Z 28Z	\$4507
<hr/>	
	16Z
ALNHSN- 66Z 28Z	\$3098
<hr/>	
	16Z
ALNHSS- 66Z 28Z	\$7187
<hr/>	
	16Z
ALNHSW- 66Z 28Z	\$4507

Step 6. Wood Finish

For ash shelf (SA-)

677	chocolate ash, flat cut, matte sheen <input type="checkbox"/>	+\$0
6A1	white ash, quarter cut, matte sheen <input type="checkbox"/>	+\$0
991	champagne ash, flat cut, low sheen <input type="checkbox"/>	+\$0
998	ebony ash, flat cut, low sheen <input type="checkbox"/>	+\$0

Layer Occasional Table, High Nesting

continued

For walnut shelf (SW-)

662	toasted walnut, flat cut, matte sheen <input type="checkbox"/>	+\$0
663	charred walnut, flat cut, matte sheen <input type="checkbox"/>	+\$0
664	bronzed walnut, flat cut, matte sheen <input type="checkbox"/>	+\$0
665	smoked walnut, flat cut, matte sheen <input type="checkbox"/>	+\$0
666	coffee walnut, flat cut, matte sheen <input type="checkbox"/>	+\$0
972	sundance walnut, solid, low sheen <input type="checkbox"/>	+\$0
EK	medium red walnut, flat cut, low sheen <input type="checkbox"/>	+\$0
G2U	light brown walnut, flat cut, low sheen <input type="checkbox"/>	+\$0
G40	dark brown walnut, flat cut, low sheen <input type="checkbox"/>	+\$0
GOU	natural walnut, flat cut, matte sheen <input type="checkbox"/>	+\$0

Step 7. Stone

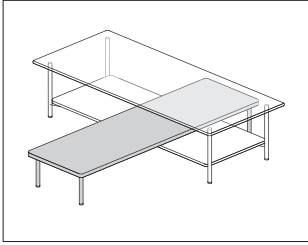
For stone shelf (SS-)

5UH	georgia grey honed marble <input type="checkbox"/>	+\$0
DPH	georgia white honed marble <input type="checkbox"/>	+\$0

Step 8. Base Finish

926	black <input type="checkbox"/>	+\$0
CHR	chrome <input type="checkbox"/>	+\$0
SAC	satin chrome <input type="checkbox"/>	+\$0

Layer Occasional Table, Low Nesting ALNLT



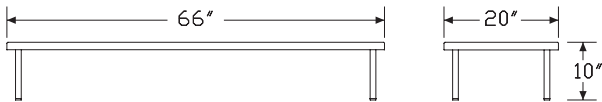
HermanMiller Ancillary--Occasional Tables

Product Information

Description

This table has a stainless steel frame and a 1¼" thick top with plank veneer layup and solid wood edge. Wood top is finished to match color and sheen of the specified wood finish.

Dimensions



Specification Information

Step 1.

ALNL A

Step 2. Wood Top Material

TA- ash top A

TW- walnut top A

Step 3. Width

66Z 66" wide A

Step 4. Depth

20Z 20" deep A

Step 5. Height

10Z 10" high A

Prices for Steps 1-5.

10Z	
ALNLTA- 66Z 20Z	\$2470

10Z	
ALNLTW- 66Z 20Z	\$2533

Step 6. Wood Finish

For ash top (TA-)

677	chocolate ash, flat cut, matte sheen <input type="checkbox"/> A	+ \$0
6A1	white ash, quarter cut, matte sheen <input type="checkbox"/> A	+ \$0
991	champagne ash, flat cut, low sheen <input type="checkbox"/> A	+ \$0
998	ebony ash, flat cut, low sheen <input type="checkbox"/> A	+ \$0

For walnut top (TW-)

662	toasted walnut, flat cut, matte sheen <input type="checkbox"/> A	+ \$0
663	charred walnut, flat cut, matte sheen <input type="checkbox"/> A	+ \$0
664	bronzed walnut, flat cut, matte sheen <input type="checkbox"/> A	+ \$0
665	smoked walnut, flat cut, matte sheen <input type="checkbox"/> A	+ \$0
666	coffee walnut, flat cut, matte sheen <input type="checkbox"/> A	+ \$0
972	sundance walnut, solid, low sheen <input type="checkbox"/> A	+ \$0
EK	medium red walnut, flat cut, low sheen <input type="checkbox"/> A	+ \$0
G2U	light brown walnut, flat cut, low sheen <input type="checkbox"/> A	+ \$0
G40	dark brown walnut, flat cut, low sheen <input type="checkbox"/> A	+ \$0
GOU	natural walnut, flat cut, matte sheen <input type="checkbox"/> A	+ \$0

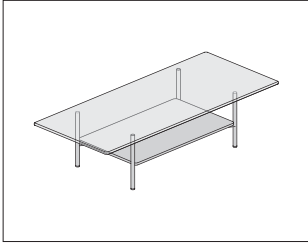
Layer Occasional Table, Low Nesting

continued

Step 7. Base Finish		
926	black <input type="checkbox"/> A	+\$0
CHR	chrome <input type="checkbox"/> A	+\$0
SAC	satin chrome <input type="checkbox"/> A	+\$0

Layer Occasional Table, Wood Shelf

ALYSA
ALYSW



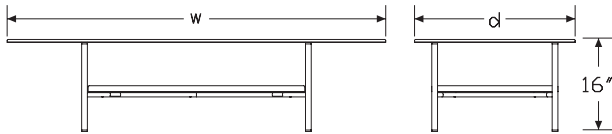
HermanMiller Ancillary—Occasional Tables

Product Information

Description

This table has a stainless steel frame and a 1/2" thick low-iron tempered glass top with radiused top edge and radiused corners. The wood shelf is 1" thick with plank veneer layup and solid wood edge. Wood shelf is finished to match color and sheen of the specified wood finish.

Dimensions



Specification Information

Step 1.

ALY A

Step 2. Shelf Material

SA- ash shelf A

SW- walnut shelf A

Step 3. Width

28Z 28" wide A

46Z 46" wide A

66Z 66" wide A

Step 4. Depth

For 28" wide (28Z)

14Z 14" deep A

22Z 22" deep A

For 46" wide (46Z)

24Z 24" deep A

For 66" wide (66Z)

28Z 28" deep A

Step 5. Height

16Z 16" high A

Prices for Steps 1-5.

	16Z
ALYSA- 28Z 14Z	\$2394
22Z	\$2957
46Z 24Z	\$3379
66Z 28Z	\$3943
	16Z
ALYSW- 28Z 14Z	\$2394
22Z	\$2957
46Z 24Z	\$3379
66Z 28Z	\$3943

Layer Occasional Table, Wood Shelf

continued

Step 6. Wood Finish

For ash shelf (SA-)

677	chocolate ash, flat cut, matte sheen	A	+\$0
6A1	white ash, quarter cut, matte sheen	A	+\$0
991	champagne ash, flat cut, low sheen	A	+\$0
998	ebony ash, flat cut, low sheen	A	+\$0

For walnut shelf (SW-)

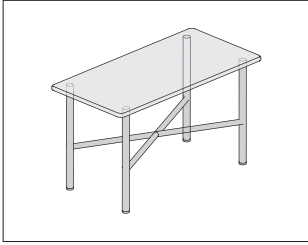
662	toasted walnut, flat cut, matte sheen	A	+\$0
663	charred walnut, flat cut, matte sheen	A	+\$0
664	bronzed walnut, flat cut, matte sheen	A	+\$0
665	smoked walnut, flat cut, matte sheen	A	+\$0
666	coffee walnut, flat cut, matte sheen	A	+\$0
972	sundance walnut, solid, low sheen	A	+\$0
EK	medium red walnut, flat cut, low sheen	A	+\$0
G2U	light brown walnut, flat cut, low sheen	A	+\$0
G40	dark brown walnut, flat cut, low sheen	A	+\$0
GOU	natural walnut, flat cut, matte sheen	A	+\$0

Step 7. Base Finish

926	black	A	+\$0
CHR	chrome	A	+\$0
SAC	satin chrome	A	+\$0

Layer Occasional Table, No Shelf

ALYSN

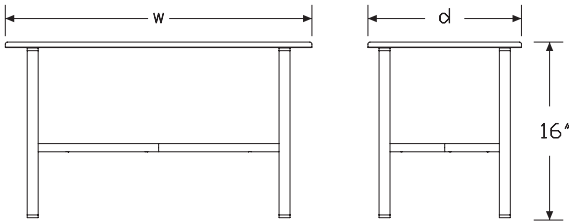


Product Information

Description

This table has a stainless steel frame and a 1/2" thick low-iron tempered glass top with radiused top edge and radiused corners.

Dimensions



HermanMiller Ancillary—Occasional Tables

Specification Information

Step 1.

ALYSN- A

Step 2. Width

28Z 28" wide A

46Z 46" wide A

66Z 66" wide A

Step 3. Depth

For 28" wide (28Z)

14Z 14" deep A

22Z 22" deep A

For 46" wide (46Z)

24Z 24" deep A

For 66" wide (66Z)

28Z 28" deep A

Step 4. Height

16Z 16" high A

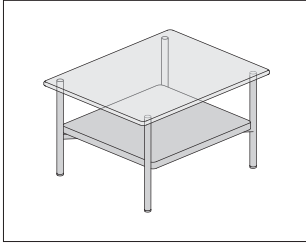
Prices for Steps 1-4.

	16Z
ALYSN- 28Z 14Z	\$1687
22Z	\$1971
46Z 24Z	\$2674
66Z 28Z	\$3098

Step 5. Base Finish

926 black <input type="checkbox"/> A	+\$0
CHR chrome <input type="checkbox"/> A	+\$0
SAC satin chrome <input type="checkbox"/> A	+\$0

Layer Occasional Table, Stone Shelf ALYSS

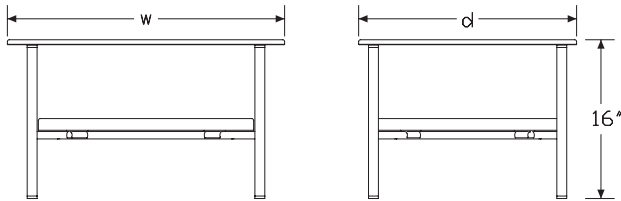


Product Information

Description

This table has a stainless steel frame and a 1/2" thick low-iron tempered glass top with radiused top edge and radiused corners. The stone shelf is 1 3/16" thick with radiused edge and radiused corners.

Dimensions



Specification Information

Step 1.

ALYSS- A

Step 2. Width

- 28Z 28" wide A
- 46Z 46" wide A
- 66Z 66" wide A

Step 3. Depth

For 28" wide (28Z)

- 14Z 14" deep A
- 22Z 22" deep A

For 46" wide (46Z)

- 24Z 24" deep A

For 66" wide (66Z)

- 28Z 28" deep A

Step 4. Height

- 16Z 16" high A

Prices for Steps 1-4.

	16Z
ALYSS- 28Z 14Z	\$3379
22Z	\$3662
46Z 24Z	\$5353
66Z 28Z	\$5917

Step 5. Stone

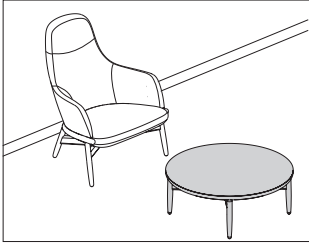
- 5UH georgia grey honed marble A +\$0
- DPH georgia white honed marble A +\$0

Step 6. Base Finish

- 926 black A +\$0
- CHR chrome A +\$0
- SAC satin chrome A +\$0

Reframe Occasional Table

AFCA
AFCW
AFRA
AFRW
AFSA
AFSW

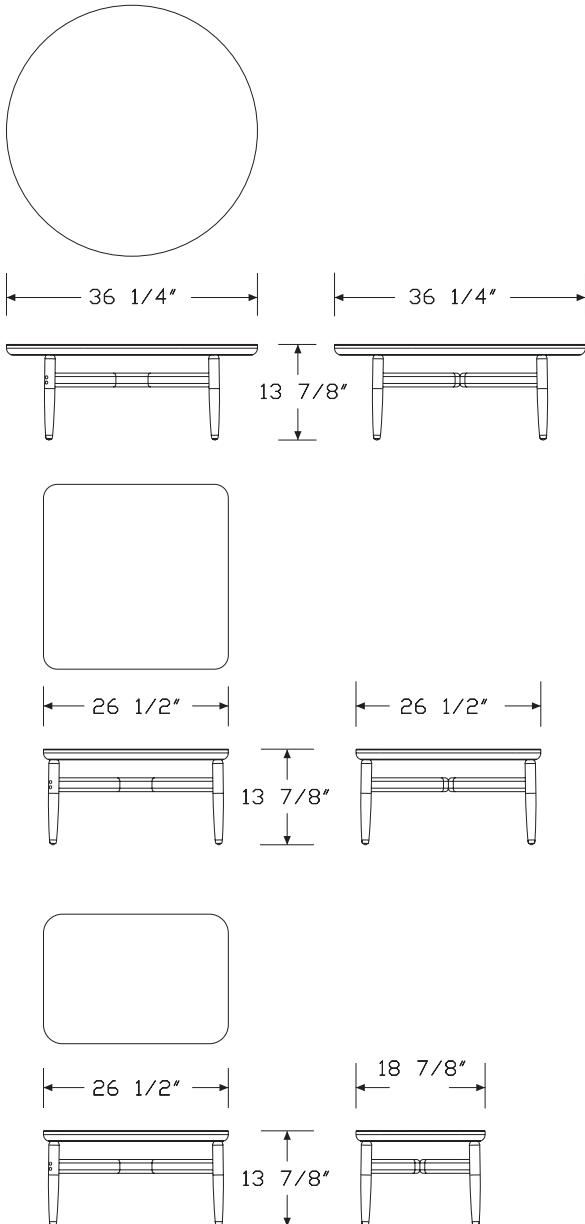


Product Information

Description

This table has a solid ash or walnut frame with a beveled edge veneer surface. Ships fully assembled.

Dimensions



Specification Information

Step 1.

AF A

Step 2. Shape

C circular A

S square A

R rectangular A

Step 3. Wood Species

A ash A

W walnut A

Prices for Steps 1-3.

AFCA	\$1517
AFCW	\$1932
AFSA	\$1378
AFSW	\$1793
AFRA	\$1169
AFRW	\$1446

Step 4. Wood Finish

For ash (A)

991	champagne ash, low sheen <input type="checkbox"/> A	+\$0
998	ebony ash, low sheen <input type="checkbox"/> A	+\$0

For ash (A)

677	chocolate ash, matte sheen <input type="checkbox"/> A	+\$0
6A1	white ash, matte sheen <input type="checkbox"/> A	+\$0

For walnut (W)

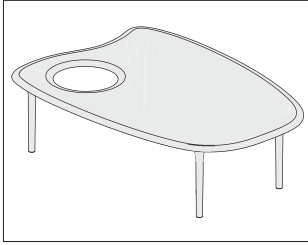
972	sundance walnut, low sheen <input type="checkbox"/> A	+\$0
EK	medium red walnut, low sheen <input type="checkbox"/> A	+\$0
G2U	light brown walnut, low sheen <input type="checkbox"/> A	+\$0
G40	dark brown walnut, low sheen <input type="checkbox"/> A	+\$0

For walnut (W)

662	toasted walnut, matte sheen <input type="checkbox"/> A	+\$0
663	charred walnut, matte sheen <input type="checkbox"/> A	+\$0
664	bronzed walnut, matte sheen <input type="checkbox"/> A	+\$0
665	smoked walnut, matte sheen <input type="checkbox"/> A	+\$0
666	coffee walnut, matte sheen <input type="checkbox"/> A	+\$0
GOU	walnut, matte sheen <input type="checkbox"/> A	+\$0

Cyclade Tables

- FE1LS
- FE1LW
- FE1MS
- FE1MW
- FE1TS
- FE1TW



Product Information

Description

This family of sculptural, nesting occasional tables is meant for flexibility and play. They come in 3 different top shapes and sizes, each with their own height. Tops come in wood or stone.

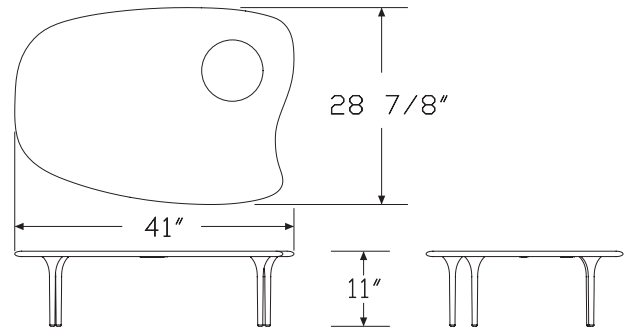
Notes

Natural characteristics in stone cause variations in hues, veins, crystals, and distinctive marks. These variations and subtle changes seen as the stone ages are values associated with natural materials. No two tabletops are identically the same; variations in both color and veining are to be expected. Over time the stone may fade in color, staining of the surface may appear, and surface cracks—if not readily visible at time of purchase—may appear. Small cracks do not affect the structure of the tabletop.

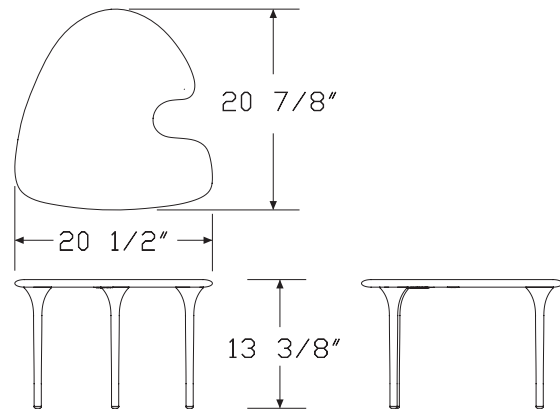
Top shapes and sizes are predetermined based on table height specified (low, mid, tall). Table legs and tops are not interchangeable.

Leg finish is always Onyx Ultra Matte (BLX) which matches Aeron® Onyx. Ebony (EN) is stained on oak wood.

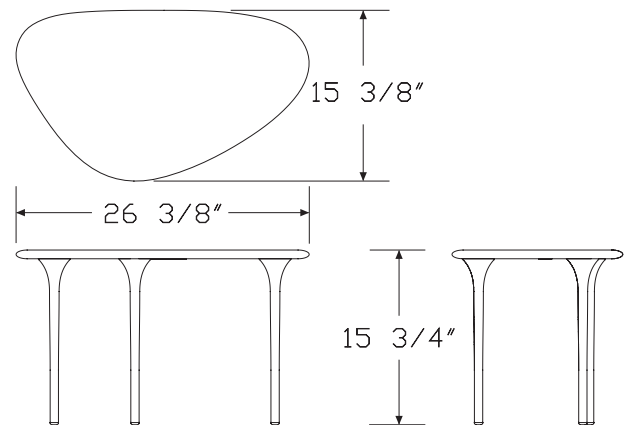
Dimensions



LOW



MID



TALL

Specification Information

Step 1.

FE1

Step 2. Height

L low

M mid

T tall

Step 3. Top Material

W wood

S stone

Prices for Steps 1-3.

FE1LW	\$1684
FE1LS	\$2984
FE1MW	\$1294
FE1MS	\$2594
FE1TW	\$1034
FE1TS	\$2334

Step 4. Top Finish

For low (L) with wood (W)

EN ebony +\$0

OU walnut +\$260

WHN white oak +\$260

For mid (M) with wood (W)

EN ebony +\$0

OU walnut +\$260

WHN white oak +\$260

For tall (T) with wood (W)

EN ebony +\$0

OU walnut +\$260

WHN white oak +\$260

For low (L) with stone (S)

CRR Carrara marble +\$0

For mid (M) with stone (S)

CRR Carrara marble +\$0

For tall (T) with stone (S)

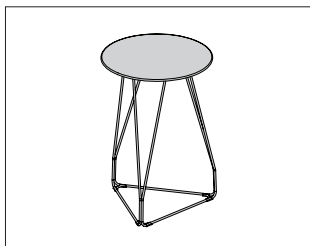
CRR Carrara marble +\$0

Step 5. Leg Finish

BLX onyx ultra matte +\$0

Polygon Wire Table

- PWL14
- PWL22
- PWL26
- PWM14
- PWM18
- PWM26
- PWS16
- PWS20
- PWS26

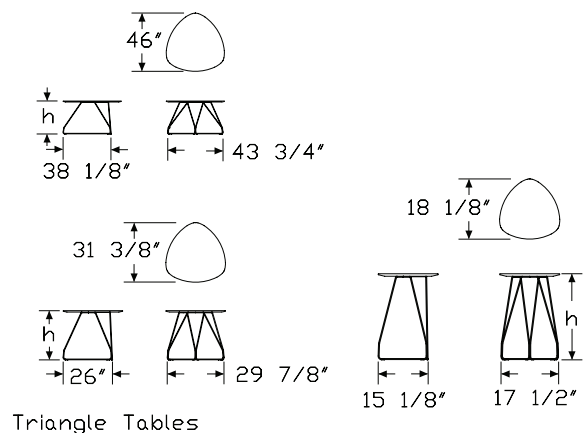
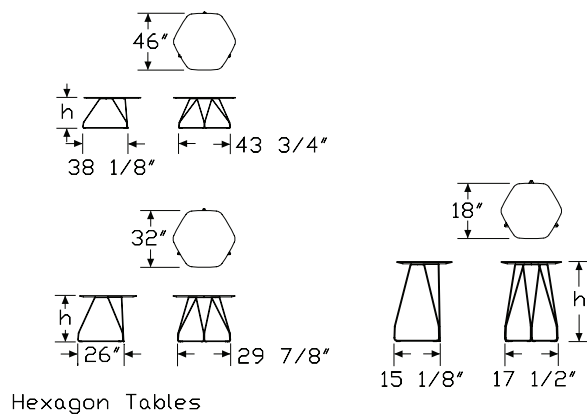
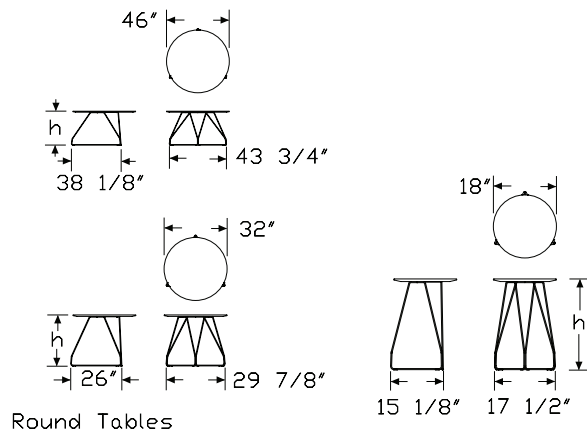


Product Information

Description

This table has a textured Formcoat® top that comes in 3 shapes and 3 sizes. The base is metal with textured paint, comes in 3 heights for each top shape, and has plastic glides. Top and base are the same color.

Dimensions



Polygon Wire Table *continued*

HermanMiller Ancillary--Occasional Tables

Specification Information

Step 1.

PW A

Step 2. Dimensions

- S16 18" W top x 16" H base A
- S20 18" W top x 20" H base A
- S26 18" W top x 26" H base A
- M14 32" W top x 14" H base A
- M18 32" W top x 18" H base A
- M26 32" W top x 26" H base A
- L14 46" W top x 14" H base A
- L22 46" W top x 22" H base A
- L26 46" W top x 26" H base A

Step 3. Top Shape

- R round A
- H hexagon A
- T triangle A

Prices for Steps 1-3.

PWS16	R	\$999
	H	\$999
	T	\$999
<hr/>		
PWS20	R	\$1034
	H	\$1034
	T	\$1034
<hr/>		
PWS26	R	\$1071
	H	\$1071
	T	\$1071
<hr/>		
PWM14	R	\$1515
	H	\$1515
	T	\$1515
<hr/>		
PWM18	R	\$1567
	H	\$1567
	T	\$1567
<hr/>		
PWM26	R	\$1616
	H	\$1616
	T	\$1616

PWL14	R	\$2032
	H	\$2032
	T	\$2032

PWL22	R	\$2095
	H	\$2095
	T	\$2095

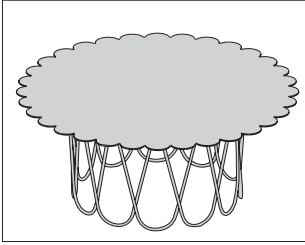
PWL26	R	\$2163
	H	\$2163
	T	\$2163

Step 4. Finish

- 91** white (CP) A +\$0
- BK** black A +\$0

Girard® Flower Tables

GRF24
GRF32

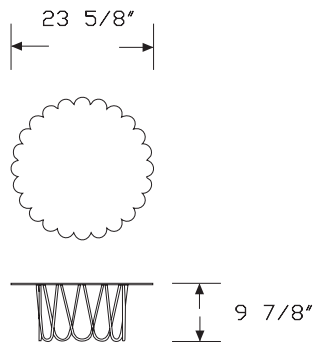
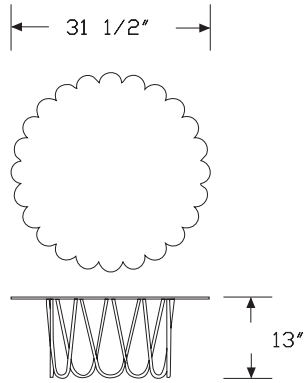


Product Information

Description

This Alexander Girard designed table has a metal top and metal base made of powder-coated steel suitable for indoor and outdoor use. Available in 2 sizes. Certificate of authenticity included with each table.

Dimensions



Specification Information

Step 1.

GRF A

Step 2. Size

24 Small, 23.5" dia x 9.75" h A

32 Large, 31.5" dia x 13" h A

Prices for Steps 1-2.

GRF24	\$1450
GRF32	\$1950

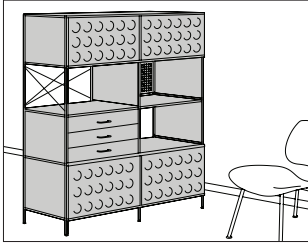
Step 3. Finish

ANR anthracite <input type="checkbox"/> A	+\$0
VR vivid red <input type="checkbox"/> A	+\$0

Storage

Eames® Storage Unit

ESU100
 ESU150
 ESU201
 ESU230
 ESU420



Product Information

Description

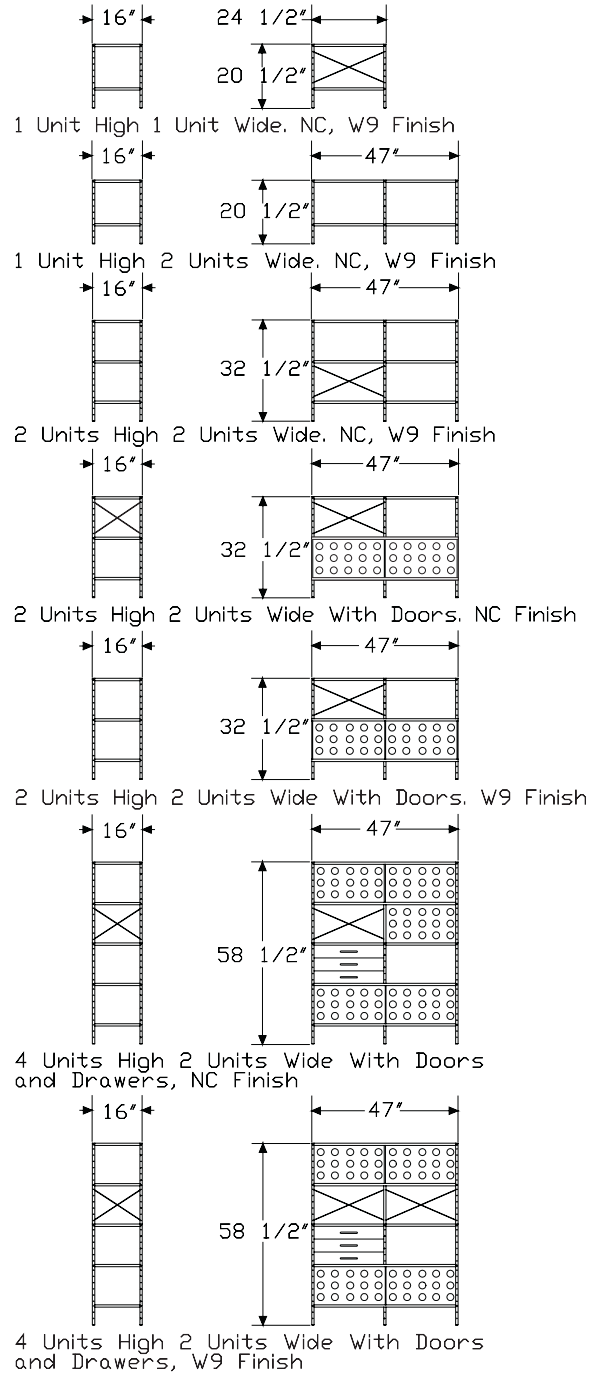
This storage unit is available in 1, 2, or 4 units high and 1 or 2 units wide with 5 configurations of shelves, drawers, and enclosed storage for books or binders. Some units have dimpled plywood doors; plywood drawer units and shelves; painted side and back panels; and steel uprights, cross supports, and perforated panels. The storage unit has adjustable glides.

Notes

For 2 units high, 2 units wide configurations (ESU201., ESU230.) with natural color (NC) surface finish, the divider between the top shelves is a cross-bar wire.

For 2 units high, 2 units wide configurations (ESU201., ESU230.) with multi-color (W9) surface finish, the divider between the top shelves is a blue panel.

Dimensions



Specification Information

Step 1.

ESU A

Step 2. Configuration

- 150. 1 unit high, 1 unit wide A
- 100. 1 unit high, 2 units wide A
- 201. 2 units high, 2 units wide A
- 230. 2 units high, 2 units wide, with doors A
- 420. 4 units high, 2 units wide A

Prices for Steps 1-2.

ESU150.	\$1176
ESU100.	\$1983
ESU201.	\$2641
ESU230.	\$3373
ESU420.	\$6226

Step 3. Frame Finish

For 1 unit high, 1 unit wide (150.) or 1 unit high, 2 units wide (100.)

ZC	zinc plated <input type="checkbox"/> A	+\$0
BU	black <input type="checkbox"/> A	+ \$49

For 2 units high, 2 units wide (201.) or 2 units high, 2 units wide, with doors (230.)

ZC	zinc plated <input type="checkbox"/> A	+\$0
BU	black <input type="checkbox"/> A	+ \$77

For 4 units high, 2 units wide (420.)

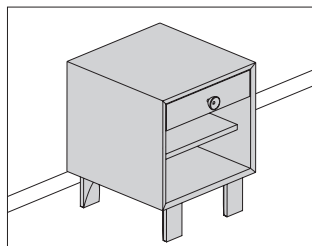
ZC	zinc plated <input type="checkbox"/> A	+\$0
BU	black <input type="checkbox"/> A	+ \$157

Step 4. Surface Finish

NC	natural color <input type="checkbox"/> A	+\$0
W9	multi-color <input type="checkbox"/> A	+\$0

Nelson® Basic Cabinet Series
Bedside Table

BC1618

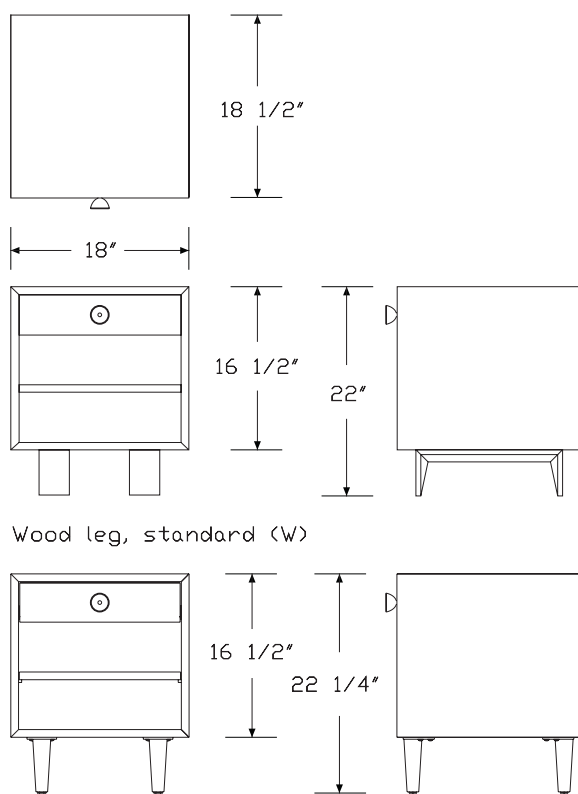


Product Information

Description

This veneer cabinet provides small item storage.

Dimensions



Wood leg, standard (W)

Wood leg, taper (T)

Specification Information

Step 1.

BC1618. A

Step 2. Type

B open cabinet with 1 drawer A

Step 3. Leg/Base Option

W wood leg, standard A

T wood leg, taper A

Step 4. Pull

A aluminum alloy pawn pull, silver A

B aluminum alloy wavy pull, silver A

C wood cupcake pull A

Prices for Steps 1-4.

		A	B	C
BC1618.	B W	\$1390	1390	1390
	T	\$1390	1390	1390

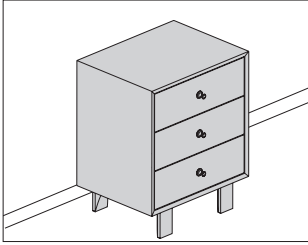
Step 5. Finish

OU walnut A +\$147

WHN white oak A +\$0

Nelson® Basic Cabinet Series
3-Drawer Cabinet

BC2424



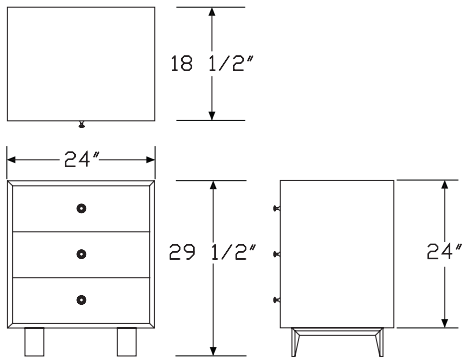
HermanMiller Ancillary--Storage

Product Information

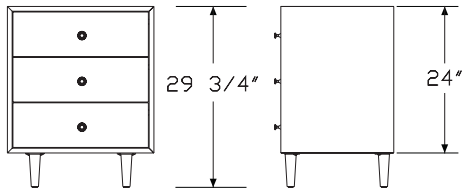
Description

This veneer cabinet provides small item storage.

Dimensions



Wood leg, standard (W)



Wood leg, taper (T)

Specification Information

Step 1.

BC2424. [A]

Step 2. Type

E 3-drawer cabinet [A]

Step 3. Leg/Base Option

W wood leg, standard [A]

T wood leg, taper [A]

Step 4. Pull

A aluminum alloy pawn pull, silver [A]

B aluminum alloy wavy pull, silver [A]

C wood cupcake pull [A]

Prices for Steps 1-4.

		A	B	C
BC2424.	E W	\$3081	3081	3081
	T	\$3081	3081	3081

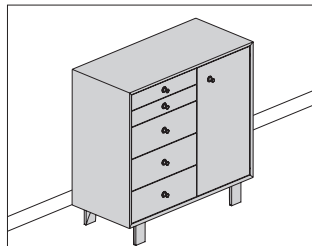
Step 5. Finish

OU walnut [A] +\$147

WHN white oak [A] +\$0

Nelson® Basic Cabinet Series
5-Drawer with Door

BC3440



Product Information

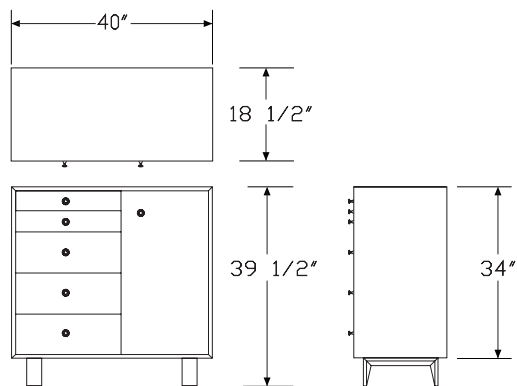
Description

This veneer freestanding cabinet is available with 5 drawers on the left side with a single door on the right.

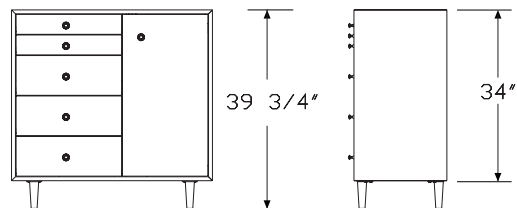
Notes

5-drawer cabinet with door option (L) has 2 shelves behind the door. Each shelf adjusts in 2" increments over a 6" range.

Dimensions



Wood leg, standard (W)



Wood leg, taper (T)

Specification Information

Step 1.

BC3440. A

Step 2. Type

L 5-drawer cabinet with door A

Step 3. Leg Option

W wood leg, standard A

T wood leg, taper A

Step 4. Pull

A aluminum alloy pawn pull, silver A

B aluminum alloy wavy pull, silver A

C wood cupcake pull A

Prices for Steps 1-4.

			A	B	C
BC3440.	L	W	\$4404	4404	4404
		T	\$4404	4404	4404

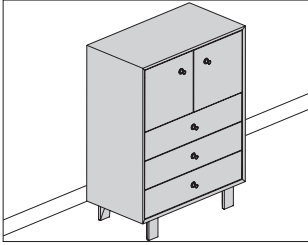
Step 5. Finish

OU walnut A +\$220

WHN white oak A +\$0

Nelson® Basic Cabinet Series
Console

BC4644



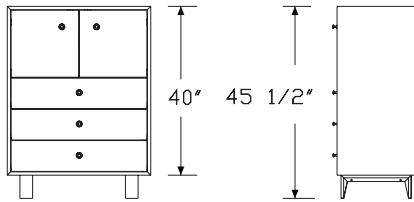
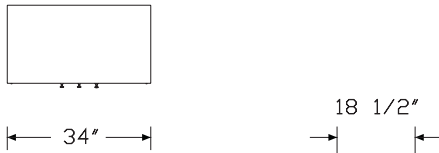
HermanMiller Ancillary--Storage

Product Information

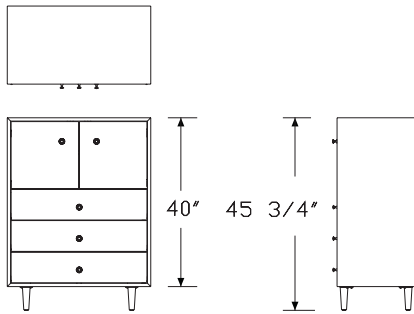
Description

This veneer freestanding cabinet has 2 hinged doors above 3 drawers and a choice of leg style and pull style. Upper section has a single adjustable shelf.

Dimensions



Wood leg, standard (W)



Wood leg, taper (T)

Specification Information

Step 1.

BC4644. [A]

Step 2. Type

O cabinet, 2 doors over 3 drawers [A]

Step 3. Leg/Base Option

W wood leg, standard [A]

T wood leg, taper [A]

Step 4. Pull

A aluminum alloy pawn pull, silver [A]

B aluminum alloy wavy pull, silver [A]

C wood cupcake pull [A]

Prices for Steps 1-4.

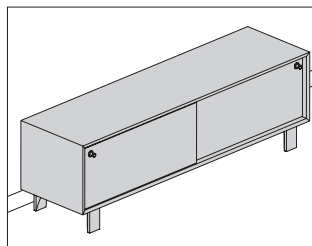
		A	B	C
BC4644.	O W	\$4772	4772	4772
	T	\$4772	4772	4772

Step 5. Finish

OU walnut [A] +\$221

WHN white oak [A] +\$0

Nelson® Basic Cabinet Series Media Unit BC4627

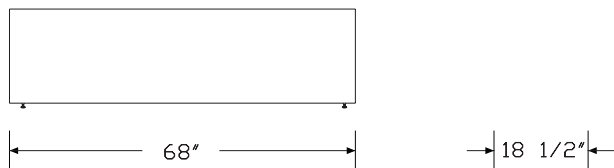


Product Information

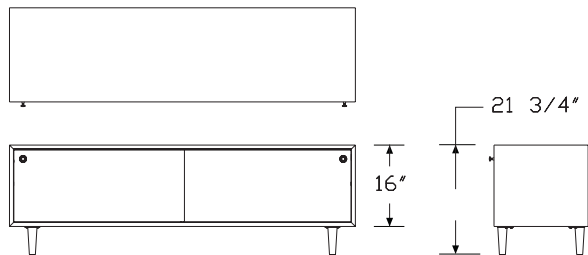
Description

This veneer freestanding cabinet has 2 sliding doors and a choice of leg style and pull style.

Dimensions



Wood leg, standard (W)



Wood leg, taper (T)

Specification Information

Step 1.

BC4627. [A]

Step 2. Type

N closed cabinet, 2 sliding doors [A]

Step 3. Leg/Base Option

W wood leg, standard [A]

T wood leg, taper [A]

Step 4. Pull

A aluminum alloy pawn pull, silver [A]

B aluminum alloy wavy pull, silver [A]

C wood cupcake pull [A]

Prices for Steps 1-4.

				A	B	C
BC4627.	N	W		\$4846	4846	4846
		T		\$4846	4846	4846

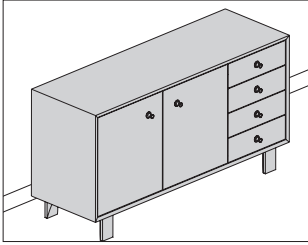
Step 5. Finish

OU walnut [A] +\$147

WHN white oak [A] +\$0

Nelson® Basic Cabinet Series
Credenza

BC4933



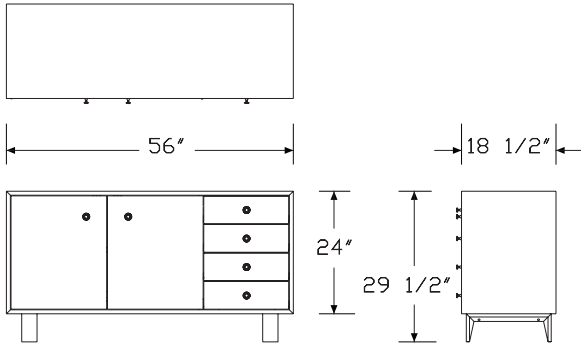
HermanMiller Ancillary-Storage

Product Information

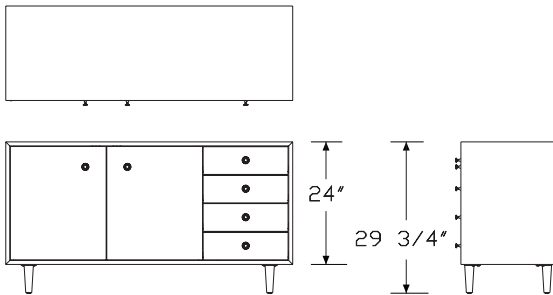
Description

This veneer freestanding credenza has 2 hinged doors on the left and 4 drawers on the right with a choice of leg style and pull style. Left section has a single adjustable shelf.

Dimensions



Wood leg, standard (W)



Wood leg, taper (T)

Specification Information

Step 1.

BC4933. [A]

Step 2. Type

P cabinet, 2 doors with 4 drawers [A]

Step 3. Leg/Base Option

W wood leg, standard [A]

T wood leg, taper [A]

Step 4. Pull

A aluminum alloy pawn pull, silver [A]

B aluminum alloy wavy pull, silver [A]

C wood cupcake pull [A]

Prices for Steps 1-4.

		A	B	C
BC4933.	P W	\$6096	6096	6096
	T	\$6096	6096	6096

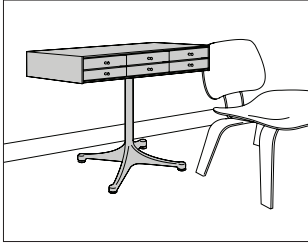
Step 5. Finish

OU walnut [A] +\$220

WHN white oak [A] +\$0

Nelson™ Miniature Chest 6 Drawer

NC526
NC556



Product Information

Description

This chest has 6 small drawers with metal pulls. The chest body and drawers are constructed of solid wood as specified, with laminate on the top surface. Depending on the model, it has 3/8" solid-brass glides or a 4-star aluminum base with adjustable glides.

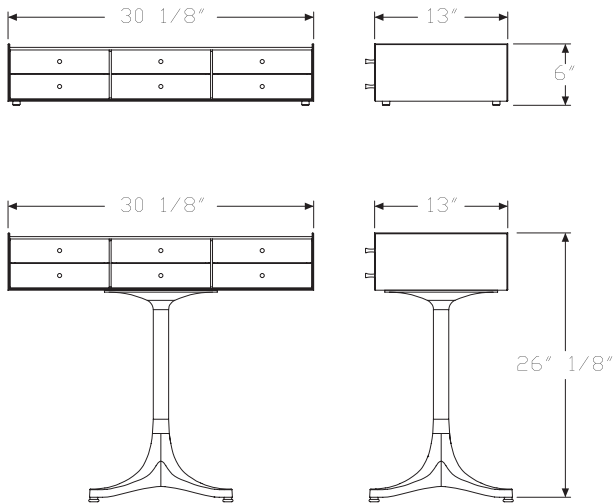
Notes

For the walnut and dark brown walnut combination (RT) option, the case finish is solid walnut and the drawer fronts are solid walnut stained dark brown.

For the white ash and walnut combination (UR) option, the case finish is solid white ash and the drawer fronts are solid walnut.

For the teak and dark brown teak combination (US) option, the case finish is solid teak and the drawer fronts are solid teak stained dark brown.

Dimensions



Specification Information

Step 1.

NC5 [A]

Step 2. Type

26 without pedestal base [A]
56 with pedestal base [A]

Prices for Steps 1-2.

NC526 \$4269
NC556 \$4902

Step 3. Case Finish

OU walnut [A] +\$0
RT walnut and dark brown walnut combination [A] +\$0
A2 white ash [A] +\$115
UR white ash and walnut combination [A] +\$115
OT teak [A] +\$591
US teak and dark brown teak combination [A] +\$591

Step 4. Top Finish

Solid-Color Laminate

98 studio white (CP) [A] +\$0
BK black - generic [A] +\$0

Step 5. Pull Finish

98 metal pull, studio white [A] +\$0
BK metal pull, black [A] +\$0
L metal pull, aluminum [A] +\$0

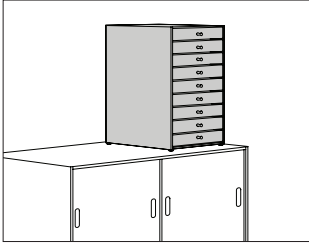
Step 6. Base Finish

For with pedestal base (56)

98 studio white (CP) [A] +\$0
BK black [A] +\$0
L polished aluminum [A] +\$50

Nelson™ Miniature Chest 9 Drawer

NC529
NC559



HermanMiller Ancillary--Storage

Product Information

Description

This chest has 9 small drawers with metal pulls. The chest body and drawers are constructed of solid wood as specified. Depending on the model, it has 3/8" solid-brass glides or a 4-star aluminum base with adjustable glides.

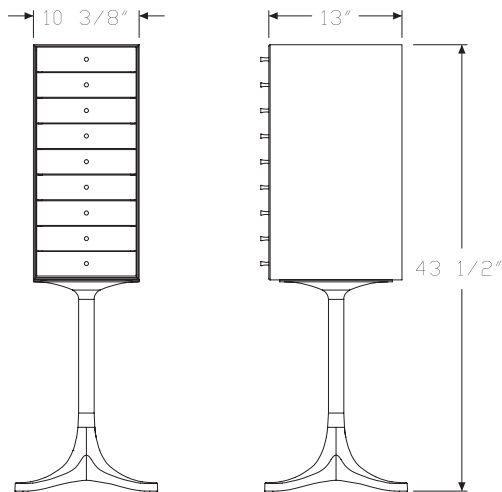
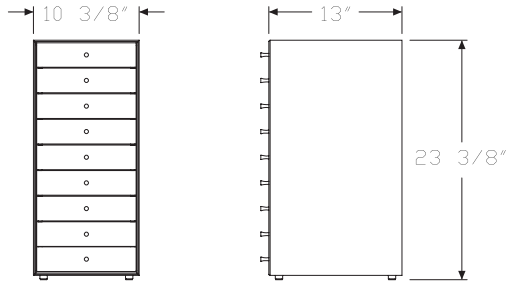
Notes

For the walnut and dark brown walnut combination (RT) option, the case finish is solid walnut and the drawer fronts are solid walnut stained dark brown.

For the white ash and walnut combination (UR) option, the case finish is solid white ash and the drawer fronts are solid walnut.

For the teak and dark brown teak combination (US) option, the case finish is solid teak and the drawer fronts are solid teak stained dark brown.

Dimensions



Specification Information

Step 1.

NC5 [A]

Step 2. Type

29 without pedestal base [A]

59 with pedestal base [A]

Prices for Steps 1-2.

NC529 \$4569

NC559 \$5169

Step 3. Case Finish

OU walnut [A] +\$0

RT walnut and dark brown walnut combination [A] +\$0

A2 white ash [A] +\$144

UR white ash and walnut combination [A] +\$144

OT teak [A] +\$856

US teak and dark brown teak combination [A] +\$856

Step 4. Pull Finish

98 metal pull, studio white [A] +\$0

BK metal pull, black [A] +\$0

L metal pull, aluminum [A] +\$0

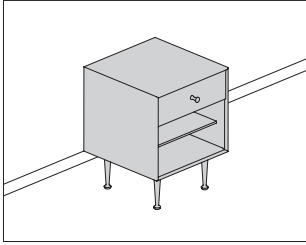
Step 5. Base Finish

For with pedestal base (59)

98 studio white (CP) [A] +\$0

BK black [A] +\$0

L polished aluminum [A] +\$50



Product Information

Description

This bedside table has polished aluminum legs. The drawer has solid wood construction with soft closing slides.

Notes

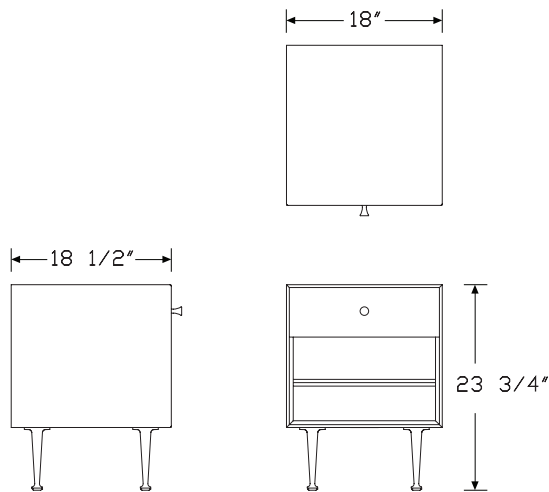
The unfinished back panel (BCF) option is intended for applications where this table will be placed against a wall.

For the walnut and dark brown walnut combination (RT) option, the case finish is walnut (OU) and the drawer or door fronts are dark brown walnut (40).

For the white ash and walnut combination (UR) option, the case finish is white ash (A2) and the drawer or door fronts are walnut (OU).

Santos palisander veneer is celebrated for its unique grain and color variations. Similar products ordered in multiples or dissimilar products ordered separately should be expected to have variation in both grain and color characteristics; no two products will look exactly alike.

Dimensions



Specification Information

Step 1.

TE1618. [A]

Step 2. Type

L bedside table with 1 drawer and 1 shelf [A]

Step 3. Leg

H 7" polished aluminum with height adjustable glide [A]

Step 4. Pull

A aluminum alloy pull, silver [A]

B metal pull, aluminum [A]

C metal pull, white [A]

D metal pull, black [A]

Prices for Steps 1-4.

		A	B	C	D
TE1618.	L H	\$2956	2990	2990	2990

Step 5. Case Finish

OU	walnut [A]				+\$0
A2	white ash [A]				+\$182
RT	walnut and dark brown walnut combination [A]				+\$182
UR	white ash and walnut combination [A]				+\$182
9N	santos palisander [A]				+\$6305

Step 6. Back Panel

For walnut (OU)

BCF	unfinished (matte black) [A]				+\$0
BCG	finished alike [A]				+\$155

For white ash (A2)

BCF	unfinished (matte black) [A]				+\$0
BCG	finished alike [A]				+\$155

For walnut and dark brown walnut combination (RT)

BCF	unfinished (matte black) [A]				+\$0
BCG	finished alike [A]				+\$155

For white ash and walnut combination (UR)

BCF	unfinished (matte black) [A]				+\$0
BCG	finished alike [A]				+\$155

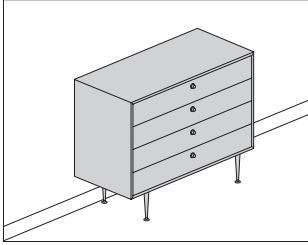
Nelson® Thin Edge Bedside Table

continued

HermanMiller Ancillary—Storage

For santos palisander (9N)

BCF	unfinished (matte black) <input type="checkbox"/>	+\$0
BCG	finished alike <input type="checkbox"/>	+\$1397



Product Information

Description

This chest has polished aluminum legs and either 3 or 4 drawers. Drawers are solid wood construction with soft closing slides.

Notes

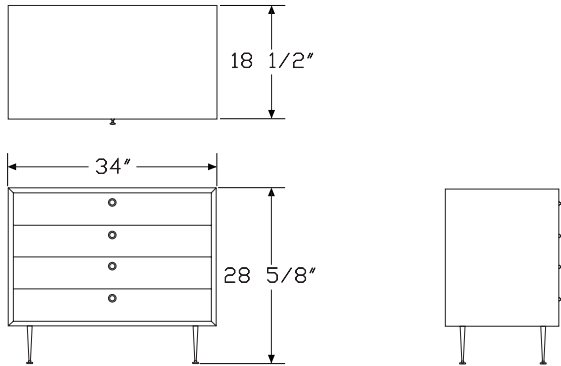
The unfinished back panel (BCF) option is intended for applications where this chest will be placed against a wall.

For the walnut and dark brown walnut combination (RT) option, the case finish is walnut (OU) and the drawer or door fronts are dark brown walnut (40).

For the white ash and walnut combination (UR) option, the case finish is white ash (A2) and the drawer or door fronts are walnut (OU).

Santos palisander veneer is celebrated for its unique grain and color variations. Similar products ordered in multiples or dissimilar products ordered separately should be expected to have variation in both grain and color characteristics; no two products will look exactly alike.

Dimensions



Specification Information

Step 1.

TE2100. [A]

Step 2. Type

- S** 4 drawer chest [A]
- T** 3 drawer chest [A]

Step 3. Leg

H 7" polished aluminum with height adjustable glide [A]

Step 4. Pull

- A** aluminum alloy pull, silver [A]
- B** metal pull, aluminum [A]
- C** metal pull, white [A]
- D** metal pull, black [A]

Prices for Steps 1-4.

		A	B	C	D
TE2100.	S H	\$7068	7143	7143	7143
	T H	\$6716	6791	6791	6791

Step 5. Case Finish

- OU** walnut [A] +\$0
- A2** white ash [A] +\$233
- RT** walnut and dark brown walnut combination [A] +\$233
- UR** white ash and walnut combination [A] +\$233
- 9N** santos palisander [A] +\$6305

Step 6. Back Panel

For walnut (OU)

- BCF** unfinished (matte black) [A] +\$0
- BCG** finished alike [A] +\$155

For white ash (A2)

- BCF** unfinished (matte black) [A] +\$0
- BCG** finished alike [A] +\$155

For walnut and dark brown walnut combination (RT)

- BCF** unfinished (matte black) [A] +\$0
- BCG** finished alike [A] +\$155

For white ash and walnut combination (UR)

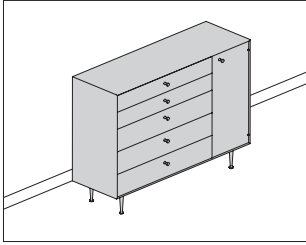
- BCF** unfinished (matte black) [A] +\$0
- BCG** finished alike [A] +\$155

Nelson® Thin Edge Chest *continued*

HermanMiller Ancillary—Storage

For santos palisander (9N)

BCF	unfinished (matte black) <input type="checkbox"/>	+\$0
BCG	finished alike <input type="checkbox"/>	+\$776



Product Information

Description

This chest cabinet has polished aluminum legs. The 5 drawers have solid wood construction with soft closing slides. The 1-door cabinet portion has 2 adjustable shelves.

Notes

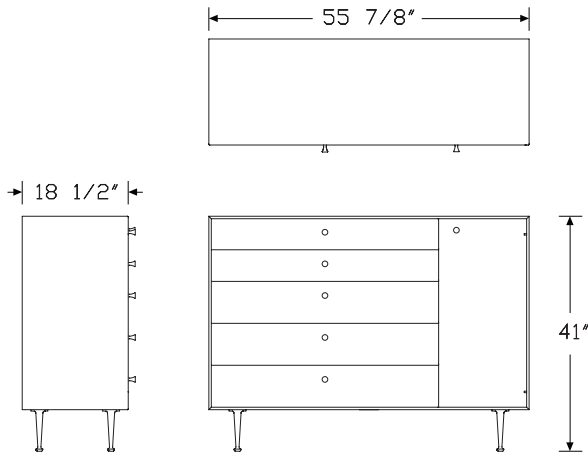
The unfinished back panel (BCF) option is intended for applications where this chest will be placed against a wall.

For the walnut and dark brown walnut combination (RT) option, the case finish is walnut (OU) and the drawer or door fronts are dark brown walnut (40).

For the white ash and walnut combination (UR) option, the case finish is white ash (A2) and the drawer or door fronts are walnut (OU).

Santos palisander veneer is celebrated for its unique grain and color variations. Similar products ordered in multiples or dissimilar products ordered separately should be expected to have variation in both grain and color characteristics; no two products will look exactly alike.

Dimensions



Specification Information

Step 1.

TE3400. [A]

Step 2. Type

E 5 drawer cabinet with 1 right door [A]

M 5 drawer cabinet with 1 left door [A]

Step 3. Leg

H 7" polished aluminum with height adjustable glide [A]

Step 4. Pull

A aluminum alloy pull, silver [A]

B metal pull, aluminum [A]

C metal pull, white [A]

D metal pull, black [A]

Prices for Steps 1-4.

		A	B	C	D
TE3400.	E H	\$11810	11885	11885	11885
	M H	\$11810	11885	11885	11885

Step 5. Case Finish

OU	walnut [A]				+\$0
A2	white ash [A]				+\$384
RT	walnut and dark brown walnut combination [A]				+\$384
UR	white ash and walnut combination [A]				+\$384
9N	santos palisander [A]				+\$8991

Step 6. Back Panel

For walnut (OU)

BCF	unfinished (matte black) [A]				+\$0
BCG	finished alike [A]				+\$260

For white ash (A2)

BCF	unfinished (matte black) [A]				+\$0
BCG	finished alike [A]				+\$260

For walnut and dark brown walnut combination (RT)

BCF	unfinished (matte black) [A]				+\$0
BCG	finished alike [A]				+\$260

For white ash and walnut combination (UR)

BCF	unfinished (matte black) [A]				+\$0
BCG	finished alike [A]				+\$260

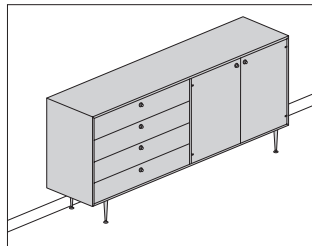
Nelson® Thin Edge Chest Cabinet

continued

HermanMiller Ancillary—Storage

For santos palisander (9N)

BCF	unfinished (matte black) <input type="checkbox"/>	+\$0
BCG	finished alike <input type="checkbox"/>	+\$2796



Product Information

Description

This buffet has polished aluminum legs. The four drawers have solid wood construction with soft closing slides. The two-door cabinet portion has 2 adjustable shelves.

Notes

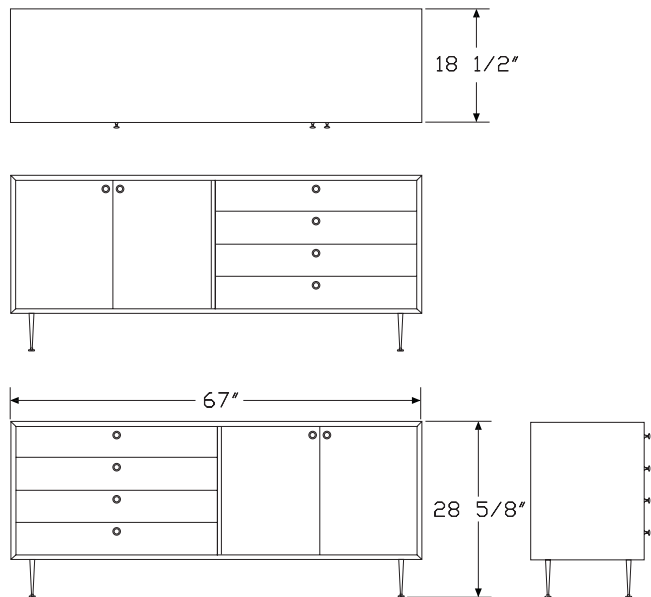
The unfinished back panel (BCF) option is intended for applications where this chest will be placed against a wall.

For the walnut and dark brown walnut combination (RT) option, the case finish is walnut (OU) and the drawer or door fronts are dark brown walnut (40).

For the white ash and walnut combination (UR) option, the case finish is white ash (A2) and the drawer or door fronts are walnut (OU).

Santos palisander veneer is celebrated for its unique grain and color variations. Similar products ordered in multiples or dissimilar products ordered separately should be expected to have variation in both grain and color characteristics; no two products will look exactly alike.

Dimensions



Specification Information

Step 1.

TE2167. [A]

Step 2. Type

R 4 drawer buffet with 2 doors [A]

L 4 drawer buffet with 2 left doors [A]

Step 3. Leg

H 7" polished aluminum with height adjustable glide [A]

Step 4. Pull

A aluminum alloy pull, silver [A]

B metal pull, aluminum [A]

C metal pull, white [A]

D metal pull, black [A]

Prices for Steps 1-4.

		A	B	C	D
TE2167.	R H	\$11633	11709	11709	11709
	L H	\$11633	11709	11709	11709

Step 5. Case Finish

OU	walnut [A]				+\$0
A2	white ash [A]				+\$384
RT	walnut and dark brown walnut combination [A]				+\$384
UR	white ash and walnut combination [A]				+\$384
9N	santos palisander [A]				+\$8991

Step 6. Back Panel

For walnut (OU)

BCF	unfinished (matte black) [A]				+\$0
BCG	finished alike [A]				+\$260

For white ash (A2)

BCF	unfinished (matte black) [A]				+\$0
BCG	finished alike [A]				+\$260

For walnut and dark brown walnut combination (RT)

BCF	unfinished (matte black) [A]				+\$0
BCG	finished alike [A]				+\$260

For white ash and walnut combination (UR)

BCF	unfinished (matte black) [A]				+\$0
BCG	finished alike [A]				+\$260

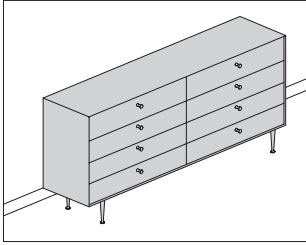
Nelson® Thin Edge Buffet *continued*

HermanMiller Ancillary—Storage

For santos palisander (9N)

BCF	unfinished (matte black) <input type="checkbox"/>	+\$0
BCG	finished alike <input type="checkbox"/>	+\$2796

Nelson® Thin Edge Double Dresser TE0204



Product Information

Description

This double dresser has polished aluminum legs. The 8 drawers have solid wood construction with soft closing slides.

Notes

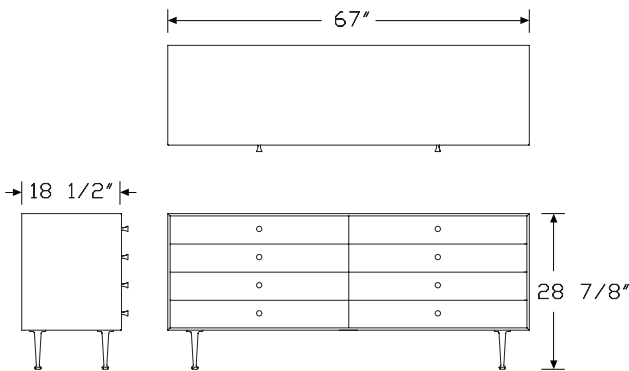
The unfinished back panel (BCF) option is intended for applications where this dresser will be placed against a wall.

For the walnut and dark brown walnut combination (RT) option, the case finish is walnut (OU) and the drawer or door fronts are dark brown walnut (40).

For the white ash and walnut combination (UR) option, the case finish is white ash (A2) and the drawer or door fronts are walnut (OU).

Santos palisander veneer is celebrated for its unique grain and color variations. Similar products ordered in multiples or dissimilar products ordered separately should be expected to have variation in both grain and color characteristics; no two products will look exactly alike.

Dimensions



Specification Information

Step 1.

TE0204. A

Step 2. Type

J eight drawer dresser A

Step 3. Leg

H 7" polished aluminum with height adjustable glide A

Step 4. Pull

A aluminum alloy pull, silver A

B metal pull, aluminum A

C metal pull, white A

D metal pull, black A

Prices for Steps 1-4.

		A	B	C	D
TE0204.	J H	\$9917	9990	9990	9990

Step 5. Case Finish

OU	walnut <input type="checkbox"/> A				+\$0
A2	white ash <input type="checkbox"/> A				+\$384
RT	walnut and dark brown walnut combination <input type="checkbox"/> A				+\$384
UR	white ash and walnut combination <input type="checkbox"/> A				+\$384
9N	santos palisander <input type="checkbox"/> A				+\$8991

Step 6. Back Panel

For walnut (OU)

BCF	unfinished (matte black) <input type="checkbox"/> A				+\$0
BCG	finished alike <input type="checkbox"/> A				+\$260

For white ash (A2)

BCF	unfinished (matte black) <input type="checkbox"/> A				+\$0
BCG	finished alike <input type="checkbox"/> A				+\$260

For walnut and dark brown walnut combination (RT)

BCF	unfinished (matte black) <input type="checkbox"/> A				+\$0
BCG	finished alike <input type="checkbox"/> A				+\$260

For white ash and walnut combination (UR)

BCF	unfinished (matte black) <input type="checkbox"/> A				+\$0
BCG	finished alike <input type="checkbox"/> A				+\$260

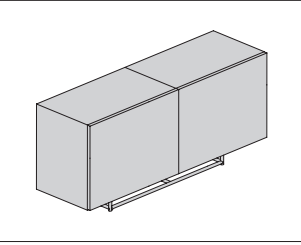
Nelson® Thin Edge Double Dresser

continued

HermanMiller Ancillary—Storage

For santos palisander (9N)

BCF	unfinished (matte black) <input type="checkbox"/>	+\$0
BCG	finished alike <input type="checkbox"/>	+\$2796



Product Information

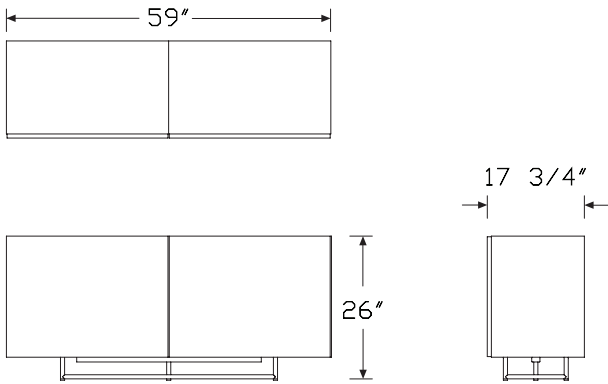
Description

This credenza provides shelf storage, is 2 units wide, and comes with contrasting exterior and interior veneer. Standard interior veneer is ash, and exterior veneer is available in santos palisander, walnut, and ebony. Credenza back exterior is finished. Bases and pulls are metal with chrome or satin chrome finish. Hinged door units 26" high include 1 adjustable shelf that is 3/4" thick.

Notes

- Locks are not available.
- Shelves match interior finish.
- Wood components in credenzas 2 and 3 units wide ship assembled.
- Bases ship separately and must be field installed.

Dimensions



Specification Information

Step 1.

IWCS2C-185926 [A] \$7275

Step 2. Wood Finish

Matte Finishes

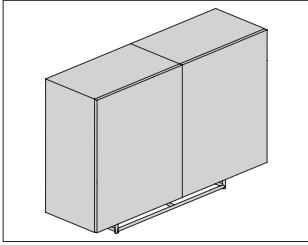
DAE	ebony exterior, ash interior	[A]	+\$0
DAR	santos palisander exterior, ash interior	[A]	+\$0
DAW	walnut exterior, ash interior	[A]	+\$0

Step 3. Base Finish

CHR	chrome	[A]	+\$0
SAC	satin chrome	[A]	+\$0

Step 4. Pull Finish

CHR	chrome	[A]	+\$0
SAC	satin chrome	[A]	+\$0



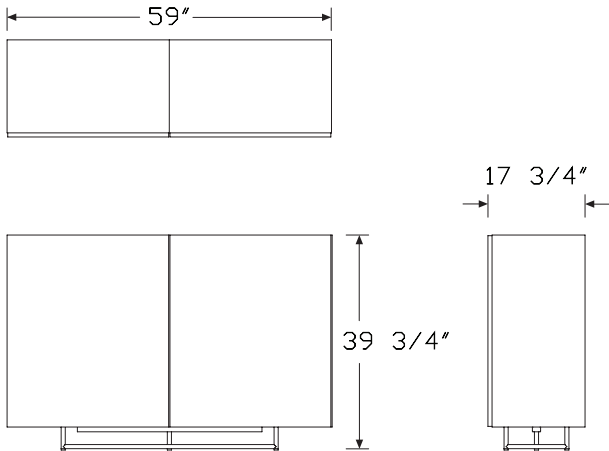
Product Information

Description
 This sideboard provides shelf storage, is 2 units wide, and comes with contrasting exterior and interior veneer. Standard interior veneer is ash, and exterior veneer is available in santos palisander, walnut, and ebony. Credenza back exterior is finished. Bases and pulls are metal with chrome or satin chrome finish. Hinged door units 40" high include 2 adjustable shelves that are each 3/4" thick.

Notes

Locks are not available.
 Shelves match interior finish.
 Wood components in credenzas 2 and 3 units wide ship assembled.
 Bases ship separately and must be field installed.

Dimensions



Specification Information

Step 1.
IWSS2C-185940 [A] \$8840

Step 2. Wood Finish

Matte Finishes

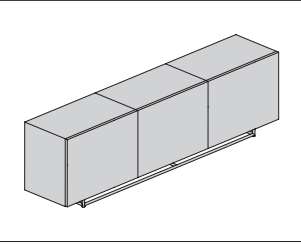
DAE	ebony exterior, ash interior	[A]	+\$0
DAR	santos palisander exterior, ash interior	[A]	+\$0
DAW	walnut exterior, ash interior	[A]	+\$0

Step 3. Base Finish

CHR	chrome	[A]	+\$0
SAC	satin chrome	[A]	+\$0

Step 4. Pull Finish

CHR	chrome	[A]	+\$0
SAC	satin chrome	[A]	+\$0



Product Information

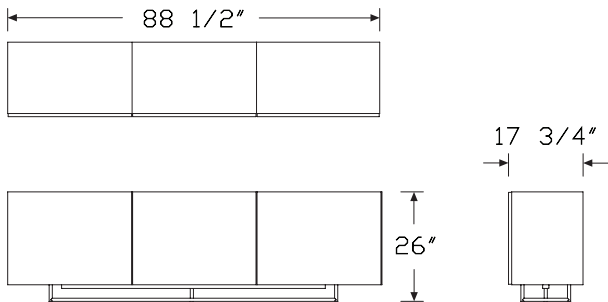
Description

This credenza provides shelf storage, is 3 units wide, and comes with contrasting exterior and interior veneer. Standard interior veneer is ash, and exterior veneer is available in santos palisander, walnut, and ebony. Credenza back exterior is finished. Bases and pulls are metal with chrome or satin chrome finish. Hinged door units 26" high include 1 adjustable shelf that is 3/4" thick.

Notes

- Locks are not available.
- Shelves match interior finish.
- Wood components in credenzas 2 and 3 units wide ship assembled.
- Bases ship separately and must be field installed.

Dimensions



Specification Information

Step 1.

IWCS3C-188926 [A] \$10909

Step 2. Wood Finish

Matte Finishes

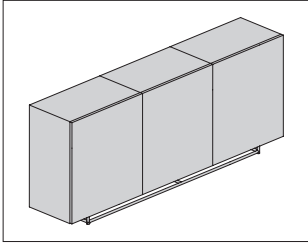
DAE	ebony exterior, ash interior	[A]	+\$0
DAR	santos palisander exterior, ash interior	[A]	+\$0
DAW	walnut exterior, ash interior	[A]	+\$0

Step 3. Base Finish

CHR	chrome	[A]	+\$0
SAC	satin chrome	[A]	+\$0

Step 4. Pull Finish

CHR	chrome	[A]	+\$0
SAC	satin chrome	[A]	+\$0



Product Information

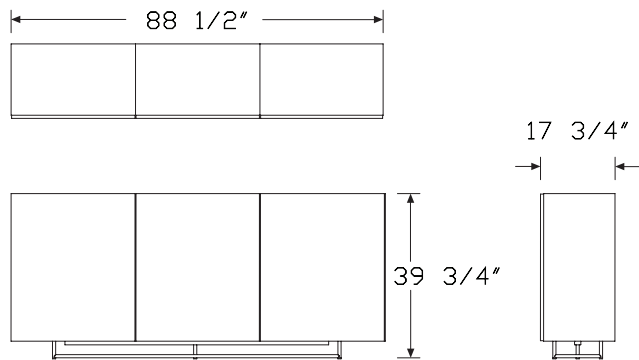
Description

This sideboard provides shelf storage, is 3 units wide, and comes with contrasting exterior and interior veneer. Standard interior veneer is ash, and exterior veneer is available in santos palisander, walnut, and ebony. Credenza back exterior is finished. Bases and pulls are metal with chrome or satin chrome finish. Hinged door units 40" high include 2 adjustable shelves that are each 3/4" thick.

Notes

- Locks are not available.
- Shelves match interior finish.
- Wood components in credenzas 2 and 3 units wide ship assembled.
- Bases ship separately and must be field installed.

Dimensions



Specification Information

Step 1.

IWSS3C-188940 [A] \$13255

Step 2. Wood Finish

Matte Finishes

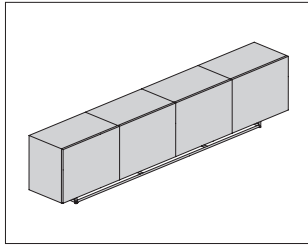
- DAE** ebony exterior, ash interior [A] +\$0
- DAR** santos palisander exterior, ash interior [A] +\$0
- DAW** walnut exterior, ash interior [A] +\$0

Step 3. Base Finish

- CHR** chrome [A] +\$0
- SAC** satin chrome [A] +\$0

Step 4. Pull Finish

- CHR** chrome [A] +\$0
- SAC** satin chrome [A] +\$0



Product Information

Description

This credenza provides shelf storage, is 4 units wide, and comes with contrasting exterior and interior veneer. Standard interior veneer is ash, and exterior veneer is available in santos palisander, walnut, and ebony. Credenza back exterior is finished. Bases and pulls are metal with chrome or satin chrome finish. Hinged door units 26" high include 1 adjustable shelf that is 3/4" thick.

Notes

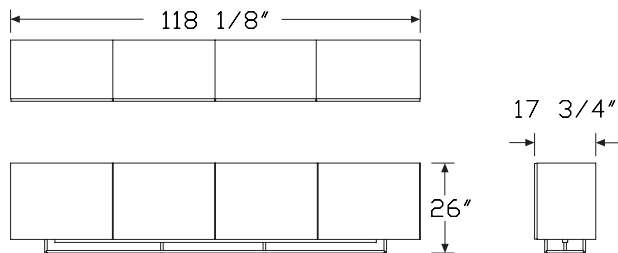
Locks are not available.

Shelves match interior finish.

Wood components in 4-unit-wide credenzas ship as 2 assembled units.

Bases ship separately and must be field installed.

Dimensions



Specification Information

Step 1.

IWCS4C-1811826 [A] \$14546

Step 2. Wood Finish

Matte Finishes

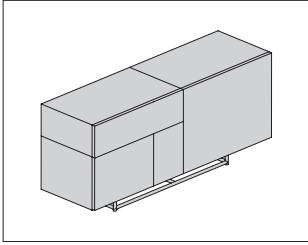
DAE	ebony exterior, ash interior	[A]	+\$0
DAR	santos palisander exterior, ash interior	[A]	+\$0
DAW	walnut exterior, ash interior	[A]	+\$0

Step 3. Base Finish

CHR	chrome	[A]	+\$0
SAC	satin chrome	[A]	+\$0

Step 4. Pull Finish

CHR	chrome	[A]	+\$0
SAC	satin chrome	[A]	+\$0



Product Information

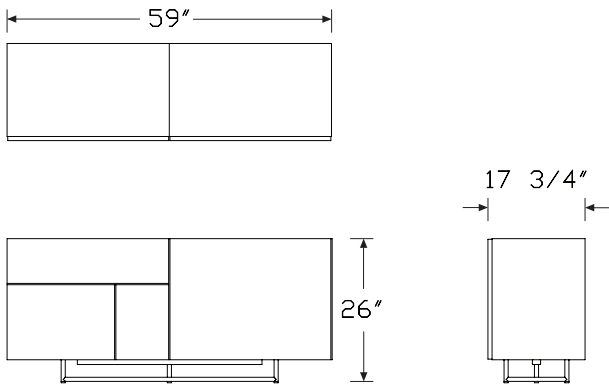
Description

This credenza provides mixed storage, is 2 units wide, and comes with contrasting exterior and interior veneer. Standard interior veneer is ash, and exterior veneer is available in santos palisander, walnut, and ebony. Credenza back exterior is finished. Drawer boxes are quarter cut natural ash, and waste bin is a removable quarter cut natural ash box. Drawer boxes and waste bin have a hand-rubbed tung oil finish. Bases and pulls are metal with chrome or satin chrome finish. File drawers include stainless steel rods for hanging folders. Hinged door units 26" high include 1 adjustable shelf that is 3/4" thick.

Notes

- Locks are not available.
- Shelves match interior finish.
- Wood components in credenzas 2 and 3 units wide ship assembled.
- Bases ship separately and must be field installed.

Dimensions



Specification Information

Step 1.

IWCM2C-185926 [A] \$15677

Step 2. Wood Finish

Matte Finishes

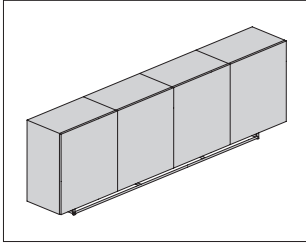
DAE	ebony exterior, ash interior [A]	+\$0
DAR	santos palisander exterior, ash interior [A]	+\$0
DAW	walnut exterior, ash interior [A]	+\$0

Step 3. Base Finish

CHR	chrome [A]	+\$0
SAC	satin chrome [A]	+\$0

Step 4. Pull Finish

CHR	chrome [A]	+\$0
SAC	satin chrome [A]	+\$0



Product Information

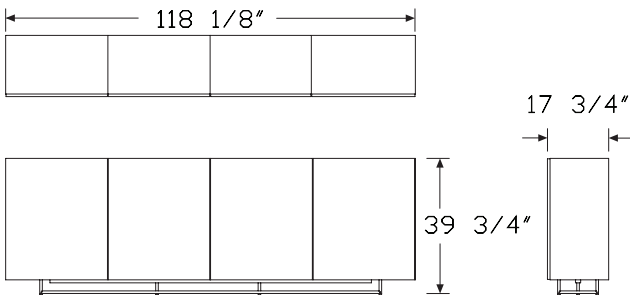
Description

This sideboard provides shelf storage, is 4 units wide, and comes with contrasting exterior and interior veneer. Standard interior veneer is ash, and exterior veneer is available in santos palisander, walnut, and ebony. Credenza back exterior is finished. Bases and pulls are metal with chrome or satin chrome finish. Hinged door units 40" high include 2 adjustable shelves that are each 3/4" thick.

Notes

- Locks are not available.
- Shelves match interior finish.
- Wood components in 4-unit-wide credenzas ship as 2 assembled units.
- Bases ship separately and must be field installed.

Dimensions



Specification Information

Step 1.

IWSS4C-1811840 [A] \$17671

Step 2. Wood Finish

Matte Finishes

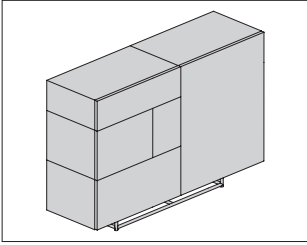
DAE	ebony exterior, ash interior	[A]	+\$0
DAR	santos palisander exterior, ash interior	[A]	+\$0
DAW	walnut exterior, ash interior	[A]	+\$0

Step 3. Base Finish

CHR	chrome	[A]	+\$0
SAC	satin chrome	[A]	+\$0

Step 4. Pull Finish

CHR	chrome	[A]	+\$0
SAC	satin chrome	[A]	+\$0



Product Information

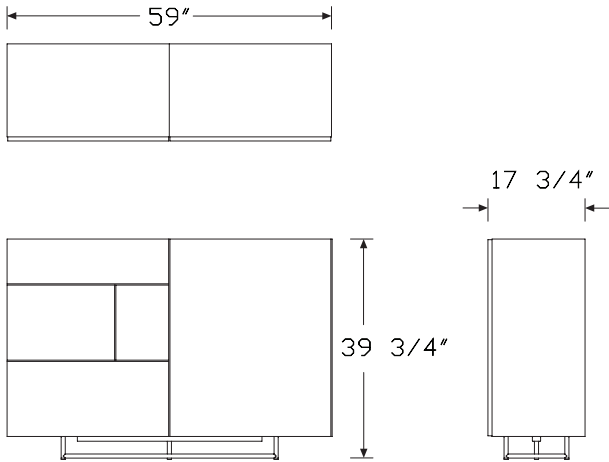
Description

This sideboard provides mixed storage, is 2 units wide, and comes with contrasting exterior and interior veneer. Standard interior veneer is ash, and exterior veneer is available in santos palisander, walnut, and ebony. Credenza back exterior is finished. Drawer boxes are quarter cut natural ash, and waste bin is a removable quarter cut natural ash box. Drawer boxes and waste bin have a hand-rubbed tung oil finish. Bases and pulls are metal with chrome or satin chrome finish. File drawers include stainless steel rods for hanging folders. Hinged door units 40" high include 2 adjustable shelves that are each 3/4" thick.

Notes

- Locks are not available.
- Shelves match interior finish.
- Wood components in credenzas 2 and 3 units wide ship assembled.
- Bases ship separately and must be field installed.

Dimensions



Specification Information

Step 1.

IWSM2C-185940 [A] \$20345

Step 2. Wood Finish

Matte Finishes

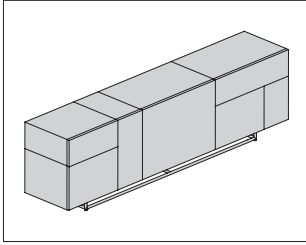
DAE	ebony exterior, ash interior [A]	+\$0
DAR	santos palisander exterior, ash interior [A]	+\$0
DAW	walnut exterior, ash interior [A]	+\$0

Step 3. Base Finish

CHR	chrome [A]	+\$0
SAC	satin chrome [A]	+\$0

Step 4. Pull Finish

CHR	chrome [A]	+\$0
SAC	satin chrome [A]	+\$0



Product Information

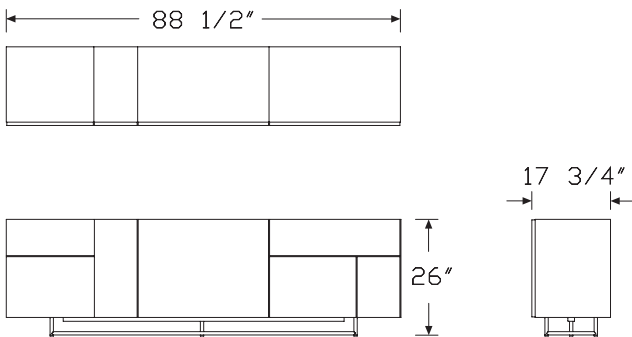
Description

This credenza provides mixed storage, is 3 units wide, and comes with contrasting exterior and interior veneer. Standard interior veneer is ash, and exterior veneer is available in santos palisander, walnut, and ebony. Credenza back exterior is finished. Drawer boxes are quarter cut natural ash, and waste bin is a removable quarter cut natural ash box. Drawer boxes and waste bin have a hand-rubbed tung oil finish. Bases and pulls are metal with chrome or satin chrome finish. File drawers include stainless steel rods for hanging folders. Hinged door units 26" high include 1 adjustable shelf that is 3/4" thick.

Notes

- Locks are not available.
- Shelves match interior finish.
- Wood components in credenzas 2 and 3 units wide ship assembled.
- Bases ship separately and must be field installed.

Dimensions



Specification Information

Step 1.

IWCM3C-188926 [A] \$27245

Step 2. Wood Finish

Matte Finishes

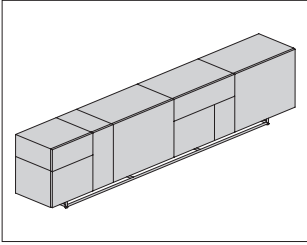
DAE	ebony exterior, ash interior	[A]	+\$0
DAR	santos palisander exterior, ash interior	[A]	+\$0
DAW	walnut exterior, ash interior	[A]	+\$0

Step 3. Base Finish

CHR	chrome	[A]	+\$0
SAC	satin chrome	[A]	+\$0

Step 4. Pull Finish

CHR	chrome	[A]	+\$0
SAC	satin chrome	[A]	+\$0



Product Information

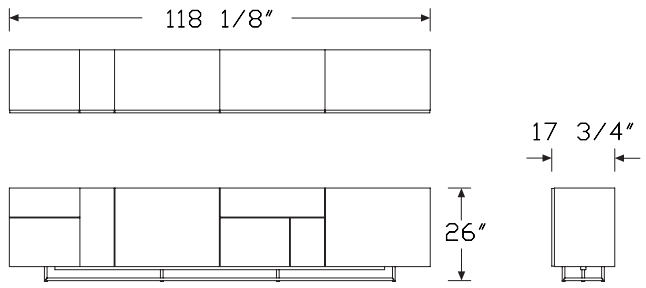
Description

This credenza provides mixed storage, is 4 units wide, and comes with contrasting exterior and interior veneer. Standard interior veneer is ash, and exterior veneer is available in santos palisander, walnut, and ebony. Credenza back exterior is finished. Drawer boxes are quarter cut natural ash, and waste bin is a removable quarter cut natural ash box. Drawer boxes and waste bin have a hand-rubbed tung oil finish. Bases and pulls are metal with chrome or satin chrome finish. File drawers include stainless steel rods for hanging folders. Hinged door units 26" high include 1 adjustable shelf that is 3/4" thick.

Notes

- Locks are not available.
- Shelves match interior finish.
- Wood components in 4-unit-wide credenzas ship as 2 assembled units.
- Bases ship separately and must be field installed.

Dimensions



Specification Information

Step 1.

IWCM4C-1811826 [A] \$30879

Step 2. Wood Finish

Matte Finishes

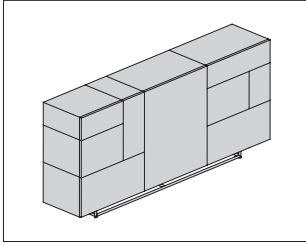
DAE	ebony exterior, ash interior [A]	+\$0
DAR	santos palisander exterior, ash interior [A]	+\$0
DAW	walnut exterior, ash interior [A]	+\$0

Step 3. Base Finish

CHR	chrome [A]	+\$0
SAC	satin chrome [A]	+\$0

Step 4. Pull Finish

CHR	chrome [A]	+\$0
SAC	satin chrome [A]	+\$0



Product Information

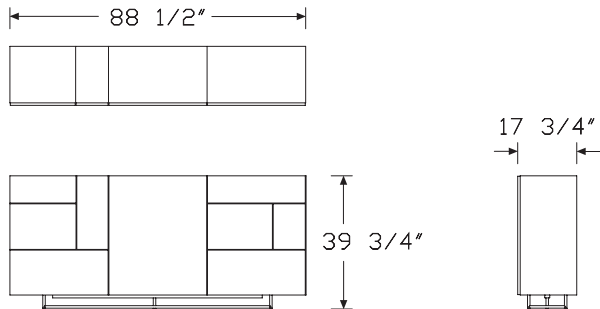
Description

This sideboard provides mixed storage, is 3 units wide, and comes with contrasting exterior and interior veneer. Standard interior veneer is ash, and exterior veneer is available in santos palisander, walnut, and ebony. Credenza back exterior is finished. Drawer boxes are quarter cut natural ash, and waste bin is a removable quarter cut natural ash box. Drawer boxes and waste bin have a hand-rubbed tung oil finish. Bases and pulls are metal with chrome or satin chrome finish. File drawers include stainless steel rods for hanging folders. Hinged door units 40" high include 2 adjustable shelves that are each 3/4" thick.

Notes

- Locks are not available.
- Shelves match interior finish.
- Wood components in credenzas 2 and 3 units wide ship assembled.
- Bases ship separately and must be field installed.

Dimensions



Specification Information

Step 1.

IWSM3C-188940 [A] \$35797

Step 2. Wood Finish

Matte Finishes

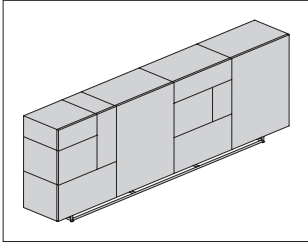
DAE	ebony exterior, ash interior	[A]	+\$0
DAR	santos palisander exterior, ash interior	[A]	+\$0
DAW	walnut exterior, ash interior	[A]	+\$0

Step 3. Base Finish

CHR	chrome	[A]	+\$0
SAC	satin chrome	[A]	+\$0

Step 4. Pull Finish

CHR	chrome	[A]	+\$0
SAC	satin chrome	[A]	+\$0



Product Information

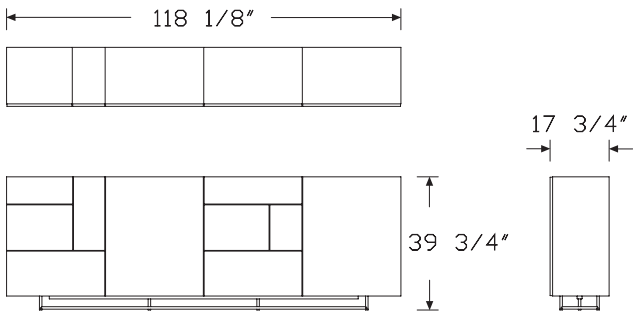
Description

This sideboard provides mixed storage, is 4 units wide, and comes with contrasting exterior and interior veneer. Standard interior veneer is ash, and exterior veneer is available in santos palisander, walnut, and ebony. Credenza back exterior is finished. Drawer boxes are quarter cut natural ash, and waste bin is a removable quarter cut natural ash box. Drawer boxes and waste bin have a hand-rubbed tung oil finish. Bases and pulls are metal with chrome or satin chrome finish. File drawers include stainless steel rods for hanging folders. Hinged door units 40" high include 2 adjustable shelves that are each 3/4" thick.

Notes

- Locks are not available.
- Shelves match interior finish.
- Wood components in 4-unit-wide credenzas ship as 2 assembled units.
- Bases ship separately and must be field installed.

Dimensions



Specification Information

Step 1.

IWSM4C-1811840 [A] \$40175

Step 2. Wood Finish

Matte Finishes

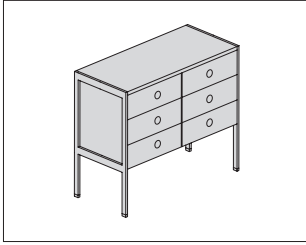
DAE	ebony exterior, ash interior [A]	+\$0
DAR	santos palisander exterior, ash interior [A]	+\$0
DAW	walnut exterior, ash interior [A]	+\$0

Step 3. Base Finish

CHR	chrome [A]	+\$0
SAC	satin chrome [A]	+\$0

Step 4. Pull Finish

CHR	chrome [A]	+\$0
SAC	satin chrome [A]	+\$0



Product Information

Description

This one-unit wide H-frame credenza has a wooden top and includes 1/2" thick metal frame gables on the ends. H-frame credenzas are modular and shipped partially assembled.

Notes

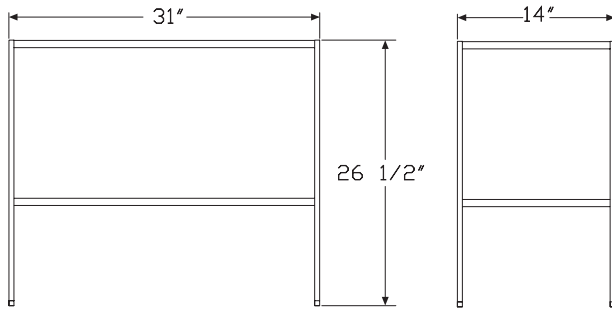
All hardware for assembly is included.

Drawer credenzas include wood boxes and self-closing hidden drawer slides. CG six box drawer credenza includes pencil trays and felt lining in bottom of top two drawers.

When applicable, Ward Bennett Flip pulls come in matching metal finish.

Santos palisander veneer is celebrated for its unique grain and color variations. Similar products ordered in multiples or dissimilar products ordered separately should be expected to have variation in both grain and color characteristics; no two products will look exactly alike.

Dimensions



Specification Information

Step 1.

JCH1 [A]

Step 2. Size

-1431 14" deep x 31" wide x 26 1/2" high [A]

Step 3. Configuration

- C1** open shelf [A]
- C2** two doors [A]
- CF** two 15" file drawers [A]
- CG** six box drawers (top two pencil trays) [A]
- CH** one file drawer [A]
- CK** three box drawers [A]

Prices for Steps 1-3.

JCH1-1431	-C1	\$4378
	-C2	\$6276
	-CF	\$6668
	-CG	\$9228
	-CH	\$6511
	-CK	\$7782

Step 4. Wood Finish

Premium Veneer - Low Sheen

For open shelf (-C1)

921	champagne beech (natural) [A]	+\$0
931	champagne anigre (natural) [A]	+\$1070
932	sundance anigre [A]	+\$1070
933	caramel anigre [A]	+\$1070
934	henna anigre [A]	+\$1070
941	natural beech [A]	+\$0
942	sundance cherry (natural) [A]	+\$0
943	caramel cherry [A]	+\$0
944	henna cherry [A]	+\$0
945	port cherry [A]	+\$0
946	cocoa cherry [A]	+\$0
951	natural anigre [A]	+\$1070
954	henna sapele [A]	+\$0
955	port sapele [A]	+\$0
956	cocoa sapele [A]	+\$0
957	espresso sapele [A]	+\$0
962	toasted walnut, low sheen [A]	+\$0
963	charred walnut, low sheen [A]	+\$0
964	bronzed walnut, low sheen [A]	+\$0
965	smoked walnut, low sheen [A]	+\$0

H-Frame Credenza One Unit Wide

continued

HermanMiller Ancillary-Storage

966	coffee walnut, low sheen <input type="checkbox"/>	+\$0
967	smoked paldao, low sheen <input type="checkbox"/>	+\$401
969	warm paldao, low sheen <input type="checkbox"/>	+\$401
973	caramel walnut <input type="checkbox"/>	+\$0
974	henna walnut <input type="checkbox"/>	+\$0
975	port walnut <input type="checkbox"/>	+\$0
976	cocoa walnut <input type="checkbox"/>	+\$0
977	chocolate ash, low sheen <input type="checkbox"/>	+\$0
978	natural oak <input type="checkbox"/>	+\$0
981	champagne hickory (natural) <input type="checkbox"/>	+\$0
98R	recograin rosewood <input type="checkbox"/>	+\$0
991	champagne ash <input type="checkbox"/>	+\$0
998	ebony ash <input type="checkbox"/>	+\$0
99A	recograin frosty ash <input type="checkbox"/>	+\$0
99R	recograin rosewood <input type="checkbox"/>	+\$0
99T	recograin teak <input type="checkbox"/>	+\$0
9A1	white ash, quarter cut, low sheen <input type="checkbox"/>	+\$0
9K1	rift oak, rift cut, low sheen <input type="checkbox"/>	+\$0
9K6	burnt oak, rift cut, low sheen <input type="checkbox"/>	+\$0
G2U	light brown walnut, low sheen <input type="checkbox"/>	+\$0
G40	dark brown walnut, low sheen <input type="checkbox"/>	+\$0

Premium Veneer - Matte

For open shelf (-C1)

662	toasted walnut, matte sheen <input type="checkbox"/>	+\$0
663	charred walnut, matte sheen <input type="checkbox"/>	+\$0
664	bronzed walnut, matte sheen <input type="checkbox"/>	+\$0
665	smoked walnut, matte sheen <input type="checkbox"/>	+\$0
666	coffee walnut, matte sheen <input type="checkbox"/>	+\$0
667	smoked paldao, quarter cut, matte sheen <input type="checkbox"/>	+\$401
669	warm paldao, quarter cut, matte sheen <input type="checkbox"/>	+\$401
66A	recograin frosty ash <input type="checkbox"/>	+\$0
677	chocolate ash, matte sheen <input type="checkbox"/>	+\$0
678	natural oak <input type="checkbox"/>	+\$0
68R	recograin rosewood <input type="checkbox"/>	+\$0
69A	recograin frosty ash <input type="checkbox"/>	+\$0
69R	recograin rosewood <input type="checkbox"/>	+\$0
69T	recograin teak <input type="checkbox"/>	+\$0
6A1	white ash <input type="checkbox"/>	+\$0
6A2	platinum ash <input type="checkbox"/>	+\$0
6K1	rift oak <input type="checkbox"/>	+\$0
6K6	burnt oak <input type="checkbox"/>	+\$0
ET	clear on ash <input type="checkbox"/>	+\$0
EU	oak on ash <input type="checkbox"/>	+\$0
EV	walnut on ash <input type="checkbox"/>	+\$0
GOU	natural walnut, flat cut, matte sheen <input type="checkbox"/>	+\$0

RecoGrain Veneer

For open shelf (-C1)

68W	recograin walnut, flat cut, matte sheen <input type="checkbox"/>	-\$134
69K	recograin oak, quarter cut, matte sheen <input type="checkbox"/>	-\$134
69W	recograin walnut, quarter cut, matte sheen <input type="checkbox"/>	-\$134

Recon Veneer -

For open shelf (-C1)

98W	recograin walnut, flat cut, low sheen <input type="checkbox"/>	-\$134
99K	recograin oak, quarter cut, low sheen <input type="checkbox"/>	-\$134
99W	recograin walnut, quarter cut, low sheen <input type="checkbox"/>	-\$134

Premium Veneer - Low Sheen

For two doors (-C2)

931	champagne anigre (natural) <input type="checkbox"/>	+\$1534
932	sundance anigre <input type="checkbox"/>	+\$1534
933	caramel anigre <input type="checkbox"/>	+\$1534
934	henna anigre <input type="checkbox"/>	+\$1534
941	natural beech <input type="checkbox"/>	+\$0
942	sundance cherry (natural) <input type="checkbox"/>	+\$0
943	caramel cherry <input type="checkbox"/>	+\$0
946	cocoa cherry <input type="checkbox"/>	+\$0
951	natural anigre <input type="checkbox"/>	+\$1534
956	cocoa sapele <input type="checkbox"/>	+\$0
962	toasted walnut, low sheen <input type="checkbox"/>	+\$0
963	charred walnut, low sheen <input type="checkbox"/>	+\$0
964	bronzed walnut, low sheen <input type="checkbox"/>	+\$0
965	smoked walnut, low sheen <input type="checkbox"/>	+\$0
966	coffee walnut, low sheen <input type="checkbox"/>	+\$0
967	smoked paldao, low sheen <input type="checkbox"/>	+\$575
969	warm paldao, low sheen <input type="checkbox"/>	+\$575
977	chocolate ash, low sheen <input type="checkbox"/>	+\$0
978	natural oak <input type="checkbox"/>	+\$0
981	champagne hickory (natural) <input type="checkbox"/>	+\$0
98R	recograin rosewood <input type="checkbox"/>	+\$0
991	champagne ash <input type="checkbox"/>	+\$0
998	ebony ash <input type="checkbox"/>	+\$0
99A	recograin frosty ash <input type="checkbox"/>	+\$0
99R	recograin rosewood <input type="checkbox"/>	+\$0
99T	recograin teak <input type="checkbox"/>	+\$0
9A1	white ash, quarter cut, low sheen <input type="checkbox"/>	+\$0
9K1	rift oak, rift cut, low sheen <input type="checkbox"/>	+\$0
9K6	burnt oak, rift cut, low sheen <input type="checkbox"/>	+\$0
G2U	light brown walnut, low sheen <input type="checkbox"/>	+\$0
G40	dark brown walnut, low sheen <input type="checkbox"/>	+\$0

H-Frame Credenza One Unit Wide

continued

Premium Veneer - Matte

For two doors (-C2)

662	toasted walnut, matte sheen [A]	+\$0
663	charred walnut, matte sheen [A]	+\$0
664	bronzed walnut, matte sheen [A]	+\$0
665	smoked walnut, matte sheen [A]	+\$0
666	coffee walnut, matte sheen [A]	+\$0
66A	recograin frosty ash [A]	+\$0
677	chocolate ash, matte sheen [A]	+\$0
678	natural oak [A]	+\$0
68R	recograin rosewood [A]	+\$0
69A	recograin frosty ash [A]	+\$0
69R	recograin rosewood [A]	+\$0
69T	recograin teak [A]	+\$0
6A1	white ash [A]	+\$0
6K1	rift oak [A]	+\$0
6K6	burnt oak [A]	+\$0
ET	clear on ash [A]	+\$0
EU	oak on ash [A]	+\$0
EV	walnut on ash [A]	+\$0
GOU	natural walnut, flat cut, matte sheen [A]	+\$0

RecoGrain Veneer

For two doors (-C2)

68W	recograin walnut, flat cut, matte sheen [A]	-\$192
69K	recograin oak, quarter cut, matte sheen [A]	-\$192
69W	recograin walnut, quarter cut, matte sheen [A]	-\$192

Recon Veneer -

For two doors (-C2)

98W	recograin walnut, flat cut, low sheen [A]	-\$192
99K	recograin oak, quarter cut, low sheen [A]	-\$192
99W	recograin walnut, quarter cut, low sheen [A]	-\$192

Premium Veneer - Low Sheen

For two 15" file drawers (-CF)

931	champagne anigre (natural) [A]	+\$1629
932	sundance anigre [A]	+\$1629
933	caramel anigre [A]	+\$1629
934	henna anigre [A]	+\$1629
941	natural beech [A]	+\$0
942	sundance cherry (natural) [A]	+\$0
943	caramel cherry [A]	+\$0
946	cocoa cherry [A]	+\$0
951	natural anigre [A]	+\$1629
956	cocoa sapele [A]	+\$0
962	toasted walnut, low sheen [A]	+\$0
963	charred walnut, low sheen [A]	+\$0
964	bronzed walnut, low sheen [A]	+\$0
965	smoked walnut, low sheen [A]	+\$0
966	coffee walnut, low sheen [A]	+\$0
967	smoked paldao, low sheen [A]	+\$611
969	warm paldao, low sheen [A]	+\$611
977	chocolate ash, low sheen [A]	+\$0
978	natural oak [A]	+\$0
981	champagne hickory (natural) [A]	+\$0
98R	recograin rosewood [A]	+\$0
991	champagne ash [A]	+\$0
998	ebony ash [A]	+\$0
99A	recograin frosty ash [A]	+\$0
99R	recograin rosewood [A]	+\$0
99T	recograin teak [A]	+\$0
9A1	white ash, quarter cut, low sheen [A]	+\$0
9K1	rift oak, rift cut, low sheen [A]	+\$0
9K6	burnt oak, rift cut, low sheen [A]	+\$0
G2U	light brown walnut, low sheen [A]	+\$0
G40	dark brown walnut, low sheen [A]	+\$0

H-Frame Credenza One Unit Wide

continued

HermanMiller Ancillary—Storage

Premium Veneer - Matte

For two 15" file drawers (-CF)

662	toasted walnut, matte sheen <input type="checkbox"/>	+\$0
663	charred walnut, matte sheen <input type="checkbox"/>	+\$0
664	bronzed walnut, matte sheen <input type="checkbox"/>	+\$0
665	smoked walnut, matte sheen <input type="checkbox"/>	+\$0
666	coffee walnut, matte sheen <input type="checkbox"/>	+\$0
667	smoked paldao, quarter cut, matte sheen <input type="checkbox"/>	+\$611
669	warm paldao, quarter cut, matte sheen <input type="checkbox"/>	+\$611
66A	recograin frosty ash <input type="checkbox"/>	+\$0
677	chocolate ash, matte sheen <input type="checkbox"/>	+\$0
678	natural oak <input type="checkbox"/>	+\$0
68R	recograin rosewood <input type="checkbox"/>	+\$0
69A	recograin frosty ash <input type="checkbox"/>	+\$0
69R	recograin rosewood <input type="checkbox"/>	+\$0
69T	recograin teak <input type="checkbox"/>	+\$0
6A1	white ash <input type="checkbox"/>	+\$0
6K1	rift oak <input type="checkbox"/>	+\$0
6K6	burnt oak <input type="checkbox"/>	+\$0
ET	clear on ash <input type="checkbox"/>	+\$0
EU	oak on ash <input type="checkbox"/>	+\$0
EV	walnut on ash <input type="checkbox"/>	+\$0
GOU	natural walnut, flat cut, matte sheen <input type="checkbox"/>	+\$0

RecoGrain Veneer

For two 15" file drawers (-CF)

68W	recograin walnut, flat cut, matte sheen <input type="checkbox"/>	-\$204
69K	recograin oak, quarter cut, matte sheen <input type="checkbox"/>	-\$204
69W	recograin walnut, quarter cut, matte sheen <input type="checkbox"/>	-\$204

Recon Veneer -

For two 15" file drawers (-CF)

98W	recograin walnut, flat cut, low sheen <input type="checkbox"/>	-\$204
99K	recograin oak, quarter cut, low sheen <input type="checkbox"/>	-\$204
99W	recograin walnut, quarter cut, low sheen <input type="checkbox"/>	-\$204

Premium Veneer - Low Sheen

For six box drawers (top two pencil trays) (-CG)

931	champagne anigre (natural) <input type="checkbox"/>	+\$2255
932	sundance anigre <input type="checkbox"/>	+\$2255
933	caramel anigre <input type="checkbox"/>	+\$2255
934	henna anigre <input type="checkbox"/>	+\$2255
941	natural beech <input type="checkbox"/>	+\$0
942	sundance cherry (natural) <input type="checkbox"/>	+\$0
943	caramel cherry <input type="checkbox"/>	+\$0
946	cocoa cherry <input type="checkbox"/>	+\$0
951	natural anigre <input type="checkbox"/>	+\$2255
956	cocoa sapele <input type="checkbox"/>	+\$0
962	toasted walnut, low sheen <input type="checkbox"/>	+\$0
963	charred walnut, low sheen <input type="checkbox"/>	+\$0
964	bronzed walnut, low sheen <input type="checkbox"/>	+\$0
965	smoked walnut, low sheen <input type="checkbox"/>	+\$0
966	coffee walnut, low sheen <input type="checkbox"/>	+\$0
967	smoked paldao, low sheen <input type="checkbox"/>	+\$846
969	warm paldao, low sheen <input type="checkbox"/>	+\$846
977	chocolate ash, low sheen <input type="checkbox"/>	+\$0
978	natural oak <input type="checkbox"/>	+\$0
981	champagne hickory (natural) <input type="checkbox"/>	+\$0
98R	recograin rosewood <input type="checkbox"/>	+\$0
991	champagne ash <input type="checkbox"/>	+\$0
998	ebony ash <input type="checkbox"/>	+\$0
99A	recograin frosty ash <input type="checkbox"/>	+\$0
99R	recograin rosewood <input type="checkbox"/>	+\$0
99T	recograin teak <input type="checkbox"/>	+\$0
9A1	white ash, quarter cut, low sheen <input type="checkbox"/>	+\$0
9K1	rift oak, rift cut, low sheen <input type="checkbox"/>	+\$0
9K6	burnt oak, rift cut, low sheen <input type="checkbox"/>	+\$0
G2U	light brown walnut, low sheen <input type="checkbox"/>	+\$0
G40	dark brown walnut, low sheen <input type="checkbox"/>	+\$0

H-Frame Credenza One Unit Wide

continued

Premium Veneer - Matte

For six box drawers (top two pencil trays) (-CG)

662	toasted walnut, matte sheen [A]	+\$0
663	charred walnut, matte sheen [A]	+\$0
664	bronzed walnut, matte sheen [A]	+\$0
665	smoked walnut, matte sheen [A]	+\$0
666	coffee walnut, matte sheen [A]	+\$0
667	smoked paldao, quarter cut, matte sheen [A]	+\$846
669	warm paldao, quarter cut, matte sheen [A]	+\$846
66A	recograin frosty ash [A]	+\$0
677	chocolate ash, matte sheen [A]	+\$0
678	natural oak [A]	+\$0
68R	recograin rosewood [A]	+\$0
69A	recograin frosty ash [A]	+\$0
69R	recograin rosewood [A]	+\$0
69T	recograin teak [A]	+\$0
6A1	white ash [A]	+\$0
6K1	rift oak [A]	+\$0
6K6	burnt oak [A]	+\$0
ET	clear on ash [A]	+\$0
EU	oak on ash [A]	+\$0
EV	walnut on ash [A]	+\$0
GOU	natural walnut, flat cut, matte sheen [A]	+\$0

RecoGrain Veneer

For six box drawers (top two pencil trays) (-CG)

68W	recograin walnut, flat cut, matte sheen [A]	-\$282
69K	recograin oak, quarter cut, matte sheen [A]	-\$282
69W	recograin walnut, quarter cut, matte sheen [A]	-\$282

Recon Veneer -

For six box drawers (top two pencil trays) (-CG)

98W	recograin walnut, flat cut, low sheen [A]	-\$282
99K	recograin oak, quarter cut, low sheen [A]	-\$282
99W	recograin walnut, quarter cut, low sheen [A]	-\$282

Premium Veneer - Low Sheen

For one file drawer (-CH)

931	champagne anigre (natural) [A]	+\$1592
932	sundance anigre [A]	+\$1592
933	caramel anigre [A]	+\$1592
934	henna anigre [A]	+\$1592
941	natural beech [A]	+\$0
942	sundance cherry (natural) [A]	+\$0
943	caramel cherry [A]	+\$0
946	cocoa cherry [A]	+\$0
951	natural anigre [A]	+\$1592
956	cocoa sapele [A]	+\$0
962	toasted walnut, low sheen [A]	+\$0
963	charred walnut, low sheen [A]	+\$0
964	bronzed walnut, low sheen [A]	+\$0
965	smoked walnut, low sheen [A]	+\$0
966	coffee walnut, low sheen [A]	+\$0
967	smoked paldao, low sheen [A]	+\$597
969	warm paldao, low sheen [A]	+\$597
977	chocolate ash, low sheen [A]	+\$0
978	natural oak [A]	+\$0
981	champagne hickory (natural) [A]	+\$0
98R	recograin rosewood [A]	+\$0
991	champagne ash [A]	+\$0
998	ebony ash [A]	+\$0
99A	recograin frosty ash [A]	+\$0
99R	recograin rosewood [A]	+\$0
99T	recograin teak [A]	+\$0
9A1	white ash, quarter cut, low sheen [A]	+\$0
9K1	rift oak, rift cut, low sheen [A]	+\$0
9K6	burnt oak, rift cut, low sheen [A]	+\$0
G2U	light brown walnut, low sheen [A]	+\$0
G40	dark brown walnut, low sheen [A]	+\$0

H-Frame Credenza One Unit Wide

continued

HermanMiller Ancillary—Storage

Premium Veneer - Matte

For one file drawer (-CH)

662	toasted walnut, matte sheen <input type="checkbox"/>	+\$0
663	charred walnut, matte sheen <input type="checkbox"/>	+\$0
664	bronzed walnut, matte sheen <input type="checkbox"/>	+\$0
665	smoked walnut, matte sheen <input type="checkbox"/>	+\$0
666	coffee walnut, matte sheen <input type="checkbox"/>	+\$0
667	smoked paldao, quarter cut, matte sheen <input type="checkbox"/>	+\$597
669	warm paldao, quarter cut, matte sheen <input type="checkbox"/>	+\$597
66A	recograin frosty ash <input type="checkbox"/>	+\$0
677	chocolate ash, matte sheen <input type="checkbox"/>	+\$0
678	natural oak <input type="checkbox"/>	+\$0
68R	recograin rosewood <input type="checkbox"/>	+\$0
69A	recograin frosty ash <input type="checkbox"/>	+\$0
69R	recograin rosewood <input type="checkbox"/>	+\$0
69T	recograin teak <input type="checkbox"/>	+\$0
6A1	white ash <input type="checkbox"/>	+\$0
6K1	rift oak <input type="checkbox"/>	+\$0
6K6	burnt oak <input type="checkbox"/>	+\$0
ET	clear on ash <input type="checkbox"/>	+\$0
EU	oak on ash <input type="checkbox"/>	+\$0
EV	walnut on ash <input type="checkbox"/>	+\$0
GOU	natural walnut, flat cut, matte sheen <input type="checkbox"/>	+\$0

RecoGrain Veneer

For one file drawer (-CH)

68W	recograin walnut, flat cut, matte sheen <input type="checkbox"/>	-\$199
69K	recograin oak, quarter cut, matte sheen <input type="checkbox"/>	-\$199
69W	recograin walnut, quarter cut, matte sheen <input type="checkbox"/>	-\$199

Recon Veneer -

For one file drawer (-CH)

98W	recograin walnut, flat cut, low sheen <input type="checkbox"/>	-\$199
99K	recograin oak, quarter cut, low sheen <input type="checkbox"/>	-\$199
99W	recograin walnut, quarter cut, low sheen <input type="checkbox"/>	-\$199

Premium Veneer - Low Sheen

For three box drawers (-CK)

931	champagne anigre (natural) <input type="checkbox"/>	+\$1902
932	sundance anigre <input type="checkbox"/>	+\$1902
933	caramel anigre <input type="checkbox"/>	+\$1902
934	henna anigre <input type="checkbox"/>	+\$1902
941	natural beech <input type="checkbox"/>	+\$0
942	sundance cherry (natural) <input type="checkbox"/>	+\$0
943	caramel cherry <input type="checkbox"/>	+\$0
946	cocoa cherry <input type="checkbox"/>	+\$0
951	natural anigre <input type="checkbox"/>	+\$1902
956	cocoa sapele <input type="checkbox"/>	+\$0
962	toasted walnut, low sheen <input type="checkbox"/>	+\$0
963	charred walnut, low sheen <input type="checkbox"/>	+\$0
964	bronzed walnut, low sheen <input type="checkbox"/>	+\$0
965	smoked walnut, low sheen <input type="checkbox"/>	+\$0
966	coffee walnut, low sheen <input type="checkbox"/>	+\$0
967	smoked paldao, low sheen <input type="checkbox"/>	+\$713
969	warm paldao, low sheen <input type="checkbox"/>	+\$713
977	chocolate ash, low sheen <input type="checkbox"/>	+\$0
978	natural oak <input type="checkbox"/>	+\$0
981	champagne hickory (natural) <input type="checkbox"/>	+\$0
98R	recograin rosewood <input type="checkbox"/>	+\$0
991	champagne ash <input type="checkbox"/>	+\$0
998	ebony ash <input type="checkbox"/>	+\$0
99A	recograin frosty ash <input type="checkbox"/>	+\$0
99R	recograin rosewood <input type="checkbox"/>	+\$0
99T	recograin teak <input type="checkbox"/>	+\$0
9A1	white ash, quarter cut, low sheen <input type="checkbox"/>	+\$0
9K1	rift oak, rift cut, low sheen <input type="checkbox"/>	+\$0
9K6	burnt oak, rift cut, low sheen <input type="checkbox"/>	+\$0
G2U	light brown walnut, low sheen <input type="checkbox"/>	+\$0
G40	dark brown walnut, low sheen <input type="checkbox"/>	+\$0

H-Frame Credenza One Unit Wide

continued

Premium Veneer - Matte

For three box drawers (-CK)

662	toasted walnut, matte sheen <input type="checkbox"/>	+\$0
663	charred walnut, matte sheen <input type="checkbox"/>	+\$0
664	bronzed walnut, matte sheen <input type="checkbox"/>	+\$0
665	smoked walnut, matte sheen <input type="checkbox"/>	+\$0
666	coffee walnut, matte sheen <input type="checkbox"/>	+\$0
667	smoked paldao, quarter cut, matte sheen <input type="checkbox"/>	+\$713
669	warm paldao, quarter cut, matte sheen <input type="checkbox"/>	+\$713
66A	recograin frosty ash <input type="checkbox"/>	+\$0
677	chocolate ash, matte sheen <input type="checkbox"/>	+\$0
678	natural oak <input type="checkbox"/>	+\$0
68R	recograin rosewood <input type="checkbox"/>	+\$0
69A	recograin frosty ash <input type="checkbox"/>	+\$0
69R	recograin rosewood <input type="checkbox"/>	+\$0
69T	recograin teak <input type="checkbox"/>	+\$0
6A1	white ash <input type="checkbox"/>	+\$0
6K1	rift oak <input type="checkbox"/>	+\$0
6K6	burnt oak <input type="checkbox"/>	+\$0
ET	clear on ash <input type="checkbox"/>	+\$0
EU	oak on ash <input type="checkbox"/>	+\$0
EV	walnut on ash <input type="checkbox"/>	+\$0
GOU	natural walnut, flat cut, matte sheen <input type="checkbox"/>	+\$0

RecoGrain Veneer

For three box drawers (-CK)

68W	recograin walnut, flat cut, matte sheen <input type="checkbox"/>	-\$238
69K	recograin oak, quarter cut, matte sheen <input type="checkbox"/>	-\$238
69W	recograin walnut, quarter cut, matte sheen <input type="checkbox"/>	-\$238

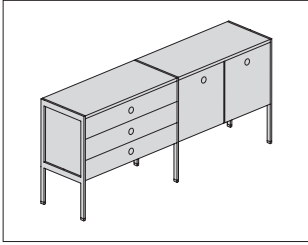
Recon Veneer -

For three box drawers (-CK)

98W	recograin walnut, flat cut, low sheen <input type="checkbox"/>	-\$238
99K	recograin oak, quarter cut, low sheen <input type="checkbox"/>	-\$238
99W	recograin walnut, quarter cut, low sheen <input type="checkbox"/>	-\$238

Step 5. Metal Finish

CHR	chrome <input type="checkbox"/>	+\$0
SAC	satin chrome <input type="checkbox"/>	+\$0



Product Information

Description

This two-unit wide H-frame credenza has a wooden top and includes 1/2"-thick metal frame gables on the ends. H-frame credenzas are modular and shipped partially assembled.

Notes

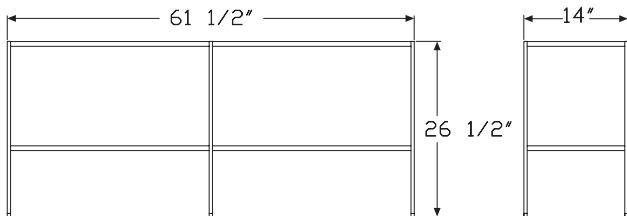
All hardware for assembly is included.

Drawer credenzas include wood boxes and self-closing hidden drawer slides. CG six box drawer credenza includes pencil trays and felt lining in bottom of top two drawers.

When applicable, Ward Bennett Flip pulls come in matching metal finish.

Santos palisander veneer is celebrated for its unique grain and color variations. Similar products ordered in multiples or dissimilar products ordered separately should be expected to have variation in both grain and color characteristics; no two products will look exactly alike.

Dimensions



Specification Information

Step 1.

JCH2 A

Step 2. Size

-1462 14" deep x 61 1/2" wide x 26 1/2" high A

Step 3. Configuration - left unit

- C1** open shelf A
- C2** two doors A
- CF** two 15" file drawers A
- CH** one file drawer A
- CK** three box drawers A

Step 4. Configuration - right unit

For open shelf (-C1)

C1 open shelf A

For two doors (-C2)

- C1** open shelf A
- C2** two doors A
- CG** six box drawers (top two pencil trays) A

For two 15" file drawers (-CF)

- CF** two 15" file drawers A
- CG** six box drawers (top two pencil trays) A

For one file drawer (-CH)

CH double doors left, 30" box/file right A

For three box drawers (-CK)

- C2** two doors A
- CF** two 15" file drawers A

Prices for Steps 1-4.

		C1	C2	CF	CG	CH
JCH2-1462	-C1	\$7695	—	—	—	—
	-C2	\$8545	11500	—	14442	—
	-CF	—	—	\$12281	14832	—
	-CH	—	—	—	—	\$11974
	-CK	—	\$12995	13395	—	—

H-Frame Credenza Two Units Wide

continued

Step 5. Wood Finish

Premium Veneer - Low Sheen

For open shelf (-C1) with open shelf (C1)

931	champagne anigre (natural) <input type="checkbox"/>	+\$1881
932	sundance anigre <input type="checkbox"/>	+\$1881
933	caramel anigre <input type="checkbox"/>	+\$1881
934	henna anigre <input type="checkbox"/>	+\$1881
941	natural beech <input type="checkbox"/>	+\$0
942	sundance cherry (natural) <input type="checkbox"/>	+\$0
943	caramel cherry <input type="checkbox"/>	+\$0
946	cocoa cherry <input type="checkbox"/>	+\$0
951	natural anigre <input type="checkbox"/>	+\$1881
956	cocoa sapele <input type="checkbox"/>	+\$0
962	toasted walnut, low sheen <input type="checkbox"/>	+\$0
963	charred walnut, low sheen <input type="checkbox"/>	+\$0
964	bronzed walnut, low sheen <input type="checkbox"/>	+\$0
965	smoked walnut, low sheen <input type="checkbox"/>	+\$0
966	coffee walnut, low sheen <input type="checkbox"/>	+\$0
967	smoked paldao, low sheen <input type="checkbox"/>	+\$706
969	warm paldao, low sheen <input type="checkbox"/>	+\$706
977	chocolate ash, low sheen <input type="checkbox"/>	+\$0
978	natural oak <input type="checkbox"/>	+\$0
981	champagne hickory (natural) <input type="checkbox"/>	+\$0
98R	recograin rosewood <input type="checkbox"/>	+\$0
991	champagne ash <input type="checkbox"/>	+\$0
998	ebony ash <input type="checkbox"/>	+\$0
99A	recograin frosty ash <input type="checkbox"/>	+\$0
99R	recograin rosewood <input type="checkbox"/>	+\$0
99T	recograin teak <input type="checkbox"/>	+\$0
9A1	white ash, quarter cut, low sheen <input type="checkbox"/>	+\$0
9K1	rift oak, rift cut, low sheen <input type="checkbox"/>	+\$0
9K6	burnt oak, rift cut, low sheen <input type="checkbox"/>	+\$0
G2U	light brown walnut, low sheen <input type="checkbox"/>	+\$0
G40	dark brown walnut, low sheen <input type="checkbox"/>	+\$0

Premium Veneer - Matte

For open shelf (-C1) with open shelf (C1)

662	toasted walnut, matte sheen <input type="checkbox"/>	+\$0
663	charred walnut, matte sheen <input type="checkbox"/>	+\$0
664	bronzed walnut, matte sheen <input type="checkbox"/>	+\$0
665	smoked walnut, matte sheen <input type="checkbox"/>	+\$0
666	coffee walnut, matte sheen <input type="checkbox"/>	+\$0
667	smoked paldao, quarter cut, matte sheen <input type="checkbox"/>	+\$706
669	warm paldao, quarter cut, matte sheen <input type="checkbox"/>	+\$706
66A	recograin frosty ash <input type="checkbox"/>	+\$0
677	chocolate ash, matte sheen <input type="checkbox"/>	+\$0
678	natural oak <input type="checkbox"/>	+\$0
68R	recograin rosewood <input type="checkbox"/>	+\$0
69A	recograin frosty ash <input type="checkbox"/>	+\$0
69R	recograin rosewood <input type="checkbox"/>	+\$0
69T	recograin teak <input type="checkbox"/>	+\$0
6A1	white ash <input type="checkbox"/>	+\$0
6K1	rift oak <input type="checkbox"/>	+\$0
6K6	burnt oak <input type="checkbox"/>	+\$0
ET	clear on ash <input type="checkbox"/>	+\$0
EU	oak on ash <input type="checkbox"/>	+\$0
EV	walnut on ash <input type="checkbox"/>	+\$0
GOU	natural walnut, flat cut, matte sheen <input type="checkbox"/>	+\$0

RecoGrain Veneer

For open shelf (-C1) with open shelf (C1)

68W	recograin walnut, flat cut, matte sheen <input type="checkbox"/>	-\$236
69K	recograin oak, quarter cut, matte sheen <input type="checkbox"/>	-\$236
69W	recograin walnut, quarter cut, matte sheen <input type="checkbox"/>	-\$236

Recon Veneer -

For open shelf (-C1) with open shelf (C1)

98W	recograin walnut, flat cut, low sheen <input type="checkbox"/>	-\$236
99K	recograin oak, quarter cut, low sheen <input type="checkbox"/>	-\$236
99W	recograin walnut, quarter cut, low sheen <input type="checkbox"/>	-\$236

H-Frame Credenza Two Units Wide

continued

HermanMiller Ancillary—Storage

Premium Veneer - Low Sheen

For two doors (-C2) with open shelf (C1)

931	champagne anigre (natural) <input type="checkbox"/>	+\$2089
932	sundance anigre <input type="checkbox"/>	+\$2089
933	caramel anigre <input type="checkbox"/>	+\$2089
934	henna anigre <input type="checkbox"/>	+\$2089
941	natural beech <input type="checkbox"/>	+\$0
942	sundance cherry (natural) <input type="checkbox"/>	+\$0
943	caramel cherry <input type="checkbox"/>	+\$0
946	cocoa cherry <input type="checkbox"/>	+\$0
951	natural anigre <input type="checkbox"/>	+\$2089
956	cocoa sapele <input type="checkbox"/>	+\$0
962	toasted walnut, low sheen <input type="checkbox"/>	+\$0
963	charred walnut, low sheen <input type="checkbox"/>	+\$0
964	bronzed walnut, low sheen <input type="checkbox"/>	+\$0
965	smoked walnut, low sheen <input type="checkbox"/>	+\$0
966	coffee walnut, low sheen <input type="checkbox"/>	+\$0
967	smoked paldao, low sheen <input type="checkbox"/>	+\$784
969	warm paldao, low sheen <input type="checkbox"/>	+\$784
977	chocolate ash, low sheen <input type="checkbox"/>	+\$0
978	natural oak <input type="checkbox"/>	+\$0
981	champagne hickory (natural) <input type="checkbox"/>	+\$0
98R	recograin rosewood <input type="checkbox"/>	+\$0
991	champagne ash <input type="checkbox"/>	+\$0
998	ebony ash <input type="checkbox"/>	+\$0
99A	recograin frosty ash <input type="checkbox"/>	+\$0
99R	recograin rosewood <input type="checkbox"/>	+\$0
99T	recograin teak <input type="checkbox"/>	+\$0
9A1	white ash, quarter cut, low sheen <input type="checkbox"/>	+\$0
9K1	rift oak, rift cut, low sheen <input type="checkbox"/>	+\$0
9K6	burnt oak, rift cut, low sheen <input type="checkbox"/>	+\$0
G2U	light brown walnut, low sheen <input type="checkbox"/>	+\$0
G40	dark brown walnut, low sheen <input type="checkbox"/>	+\$0

Premium Veneer - Matte

For two doors (-C2) with open shelf (C1)

662	toasted walnut, matte sheen <input type="checkbox"/>	+\$0
663	charred walnut, matte sheen <input type="checkbox"/>	+\$0
664	bronzed walnut, matte sheen <input type="checkbox"/>	+\$0
665	smoked walnut, matte sheen <input type="checkbox"/>	+\$0
666	coffee walnut, matte sheen <input type="checkbox"/>	+\$0
667	smoked paldao, quarter cut, matte sheen <input type="checkbox"/>	+\$784
669	warm paldao, quarter cut, matte sheen <input type="checkbox"/>	+\$784
66A	recograin frosty ash <input type="checkbox"/>	+\$0
677	chocolate ash, matte sheen <input type="checkbox"/>	+\$0
678	natural oak <input type="checkbox"/>	+\$0
68R	recograin rosewood <input type="checkbox"/>	+\$0
69A	recograin frosty ash <input type="checkbox"/>	+\$0
69R	recograin rosewood <input type="checkbox"/>	+\$0
69T	recograin teak <input type="checkbox"/>	+\$0
6A1	white ash <input type="checkbox"/>	+\$0
6K1	rift oak <input type="checkbox"/>	+\$0
6K6	burnt oak <input type="checkbox"/>	+\$0
ET	clear on ash <input type="checkbox"/>	+\$0
EU	oak on ash <input type="checkbox"/>	+\$0
EV	walnut on ash <input type="checkbox"/>	+\$0
GOU	natural walnut, flat cut, matte sheen <input type="checkbox"/>	+\$0

RecoGrain Veneer

For two doors (-C2) with open shelf (C1)

68W	recograin walnut, flat cut, matte sheen <input type="checkbox"/>	-\$262
69K	recograin oak, quarter cut, matte sheen <input type="checkbox"/>	-\$262
69W	recograin walnut, quarter cut, matte sheen <input type="checkbox"/>	-\$262

Recon Veneer -

For two doors (-C2) with open shelf (C1)

98W	recograin walnut, flat cut, low sheen <input type="checkbox"/>	-\$262
99K	recograin oak, quarter cut, low sheen <input type="checkbox"/>	-\$262
99W	recograin walnut, quarter cut, low sheen <input type="checkbox"/>	-\$262

H-Frame Credenza Two Units Wide

continued

Premium Veneer - Low Sheen

For two doors (-C2) with two doors (C2)

931	champagne anigre (natural) A	+\$2811
932	sundance anigre A	+\$2811
933	caramel anigre A	+\$2811
934	henna anigre A	+\$2811
941	natural beech A	+\$0
942	sundance cherry (natural) A	+\$0
943	caramel cherry A	+\$0
946	cocoa cherry A	+\$0
951	natural anigre A	+\$2811
956	cocoa sapele A	+\$0
962	toasted walnut, low sheen A	+\$0
963	charred walnut, low sheen A	+\$0
964	bronzed walnut, low sheen A	+\$0
965	smoked walnut, low sheen A	+\$0
966	coffee walnut, low sheen A	+\$0
967	smoked paldao, low sheen A	+\$1054
969	warm paldao, low sheen A	+\$1054
977	chocolate ash, low sheen A	+\$0
978	natural oak A	+\$0
981	champagne hickory (natural) A	+\$0
98R	recograin rosewood A	+\$0
991	champagne ash A	+\$0
998	ebony ash A	+\$0
99A	recograin frosty ash A	+\$0
99R	recograin rosewood A	+\$0
99T	recograin teak A	+\$0
9A1	white ash, quarter cut, low sheen A	+\$0
9K1	rift oak, rift cut, low sheen A	+\$0
9K6	burnt oak, rift cut, low sheen A	+\$0
G2U	light brown walnut, low sheen A	+\$0
G40	dark brown walnut, low sheen A	+\$0

Premium Veneer - Matte

For two doors (-C2) with two doors (C2)

662	toasted walnut, matte sheen A	+\$0
663	charred walnut, matte sheen A	+\$0
664	bronzed walnut, matte sheen A	+\$0
665	smoked walnut, matte sheen A	+\$0
666	coffee walnut, matte sheen A	+\$0
667	smoked paldao, quarter cut, matte sheen A	+\$1054
669	warm paldao, quarter cut, matte sheen A	+\$1054
66A	recograin frosty ash A	+\$0
677	chocolate ash, matte sheen A	+\$0
678	natural oak A	+\$0
68R	recograin rosewood A	+\$0
69A	recograin frosty ash A	+\$0
69R	recograin rosewood A	+\$0
69T	recograin teak A	+\$0
6A1	white ash A	+\$0
6K1	rift oak A	+\$0
6K6	burnt oak A	+\$0
ET	clear on ash A	+\$0
EU	oak on ash A	+\$0
EV	walnut on ash A	+\$0
GOU	natural walnut, flat cut, matte sheen A	+\$0

RecoGrain Veneer

For two doors (-C2) with two doors (C2)

68W	recograin walnut, flat cut, matte sheen A	-\$352
69K	recograin oak, quarter cut, matte sheen A	-\$352
69W	recograin walnut, quarter cut, matte sheen A	-\$352

Recon Veneer -

For two doors (-C2) with two doors (C2)

98W	recograin walnut, flat cut, low sheen A	-\$352
99K	recograin oak, quarter cut, low sheen A	-\$352
99W	recograin walnut, quarter cut, low sheen A	-\$352

H-Frame Credenza Two Units Wide

continued

HermanMiller Ancillary—Storage

Premium Veneer - Low Sheen

For two doors (-C2) with six box drawers (top two pencil trays) (CG)

931	champagne anigre (natural) <input type="checkbox"/>	+\$3530
932	sundance anigre <input type="checkbox"/>	+\$3530
933	caramel anigre <input type="checkbox"/>	+\$3530
934	henna anigre <input type="checkbox"/>	+\$3530
941	natural beech <input type="checkbox"/>	+\$0
942	sundance cherry (natural) <input type="checkbox"/>	+\$0
943	caramel cherry <input type="checkbox"/>	+\$0
946	cocoa cherry <input type="checkbox"/>	+\$0
951	natural anigre <input type="checkbox"/>	+\$3530
956	cocoa sapele <input type="checkbox"/>	+\$0
962	toasted walnut, low sheen <input type="checkbox"/>	+\$0
963	charred walnut, low sheen <input type="checkbox"/>	+\$0
964	bronzed walnut, low sheen <input type="checkbox"/>	+\$0
965	smoked walnut, low sheen <input type="checkbox"/>	+\$0
966	coffee walnut, low sheen <input type="checkbox"/>	+\$0
967	smoked paldao, low sheen <input type="checkbox"/>	+\$1324
969	warm paldao, low sheen <input type="checkbox"/>	+\$1324
977	chocolate ash, low sheen <input type="checkbox"/>	+\$0
978	natural oak <input type="checkbox"/>	+\$0
981	champagne hickory (natural) <input type="checkbox"/>	+\$0
98R	recograin rosewood <input type="checkbox"/>	+\$0
991	champagne ash <input type="checkbox"/>	+\$0
998	ebony ash <input type="checkbox"/>	+\$0
99A	recograin frosty ash <input type="checkbox"/>	+\$0
99R	recograin rosewood <input type="checkbox"/>	+\$0
99T	recograin teak <input type="checkbox"/>	+\$0
9A1	white ash, quarter cut, low sheen <input type="checkbox"/>	+\$0
9K1	rift oak, rift cut, low sheen <input type="checkbox"/>	+\$0
9K6	burnt oak, rift cut, low sheen <input type="checkbox"/>	+\$0
G2U	light brown walnut, low sheen <input type="checkbox"/>	+\$0
G40	dark brown walnut, low sheen <input type="checkbox"/>	+\$0

Premium Veneer - Matte

For two doors (-C2) with six box drawers (top two pencil trays) (CG)

662	toasted walnut, matte sheen <input type="checkbox"/>	+\$0
663	charred walnut, matte sheen <input type="checkbox"/>	+\$0
664	bronzed walnut, matte sheen <input type="checkbox"/>	+\$0
665	smoked walnut, matte sheen <input type="checkbox"/>	+\$0
666	coffee walnut, matte sheen <input type="checkbox"/>	+\$0
667	smoked paldao, quarter cut, matte sheen <input type="checkbox"/>	+\$1324
669	warm paldao, quarter cut, matte sheen <input type="checkbox"/>	+\$1324
66A	recograin frosty ash <input type="checkbox"/>	+\$0
677	chocolate ash, matte sheen <input type="checkbox"/>	+\$0
678	natural oak <input type="checkbox"/>	+\$0
68R	recograin rosewood <input type="checkbox"/>	+\$0
69A	recograin frosty ash <input type="checkbox"/>	+\$0
69R	recograin rosewood <input type="checkbox"/>	+\$0
69T	recograin teak <input type="checkbox"/>	+\$0
6A1	white ash <input type="checkbox"/>	+\$0
6K1	rift oak <input type="checkbox"/>	+\$0
6K6	burnt oak <input type="checkbox"/>	+\$0
ET	clear on ash <input type="checkbox"/>	+\$0
EU	oak on ash <input type="checkbox"/>	+\$0
EV	walnut on ash <input type="checkbox"/>	+\$0
GOU	natural walnut, flat cut, matte sheen <input type="checkbox"/>	+\$0

RecoGrain Veneer

For two doors (-C2) with six box drawers (top two pencil trays) (CG)

68W	recograin walnut, flat cut, matte sheen <input type="checkbox"/>	-\$442
69K	recograin oak, quarter cut, matte sheen <input type="checkbox"/>	-\$442
69W	recograin walnut, quarter cut, matte sheen <input type="checkbox"/>	-\$442

Recon Veneer -

For two doors (-C2) with six box drawers (top two pencil trays) (CG)

98W	recograin walnut, flat cut, low sheen <input type="checkbox"/>	-\$442
99K	recograin oak, quarter cut, low sheen <input type="checkbox"/>	-\$442
99W	recograin walnut, quarter cut, low sheen <input type="checkbox"/>	-\$442

H-Frame Credenza Two Units Wide

continued

Premium Veneer - Low Sheen

For two 15" file drawers (-CF) with two 15" file drawers (CF)

931	champagne anigre (natural) <input type="checkbox"/>	+\$3002
932	sundance anigre <input type="checkbox"/>	+\$3002
933	caramel anigre <input type="checkbox"/>	+\$3002
934	henna anigre <input type="checkbox"/>	+\$3002
941	natural beech <input type="checkbox"/>	+\$0
942	sundance cherry (natural) <input type="checkbox"/>	+\$0
943	caramel cherry <input type="checkbox"/>	+\$0
946	cocoa cherry <input type="checkbox"/>	+\$0
951	natural anigre <input type="checkbox"/>	+\$3002
956	cocoa sapele <input type="checkbox"/>	+\$0
962	toasted walnut, low sheen <input type="checkbox"/>	+\$0
963	charred walnut, low sheen <input type="checkbox"/>	+\$0
964	bronzed walnut, low sheen <input type="checkbox"/>	+\$0
965	smoked walnut, low sheen <input type="checkbox"/>	+\$0
966	coffee walnut, low sheen <input type="checkbox"/>	+\$0
967	smoked paldao, low sheen <input type="checkbox"/>	+\$1126
969	warm paldao, low sheen <input type="checkbox"/>	+\$1126
977	chocolate ash, low sheen <input type="checkbox"/>	+\$0
978	natural oak <input type="checkbox"/>	+\$0
981	champagne hickory (natural) <input type="checkbox"/>	+\$0
98R	recograin rosewood <input type="checkbox"/>	+\$0
991	champagne ash <input type="checkbox"/>	+\$0
998	ebony ash <input type="checkbox"/>	+\$0
99A	recograin frosty ash <input type="checkbox"/>	+\$0
99R	recograin rosewood <input type="checkbox"/>	+\$0
99T	recograin teak <input type="checkbox"/>	+\$0
9A1	white ash, quarter cut, low sheen <input type="checkbox"/>	+\$0
9K1	rift oak, rift cut, low sheen <input type="checkbox"/>	+\$0
9K6	burnt oak, rift cut, low sheen <input type="checkbox"/>	+\$0
G2U	light brown walnut, low sheen <input type="checkbox"/>	+\$0
G40	dark brown walnut, low sheen <input type="checkbox"/>	+\$0

Premium Veneer - Matte

For two 15" file drawers (-CF) with two 15" file drawers (CF)

662	toasted walnut, matte sheen <input type="checkbox"/>	+\$0
663	charred walnut, matte sheen <input type="checkbox"/>	+\$0
664	bronzed walnut, matte sheen <input type="checkbox"/>	+\$0
665	smoked walnut, matte sheen <input type="checkbox"/>	+\$0
666	coffee walnut, matte sheen <input type="checkbox"/>	+\$0
667	smoked paldao, quarter cut, matte sheen <input type="checkbox"/>	+\$1126
669	warm paldao, quarter cut, matte sheen <input type="checkbox"/>	+\$1126
66A	recograin frosty ash <input type="checkbox"/>	+\$0
677	chocolate ash, matte sheen <input type="checkbox"/>	+\$0
678	natural oak <input type="checkbox"/>	+\$0
68R	recograin rosewood <input type="checkbox"/>	+\$0
69A	recograin frosty ash <input type="checkbox"/>	+\$0
69R	recograin rosewood <input type="checkbox"/>	+\$0
69T	recograin teak <input type="checkbox"/>	+\$0
6A1	white ash <input type="checkbox"/>	+\$0
6K1	rift oak <input type="checkbox"/>	+\$0
6K6	burnt oak <input type="checkbox"/>	+\$0
ET	clear on ash <input type="checkbox"/>	+\$0
EU	oak on ash <input type="checkbox"/>	+\$0
EV	walnut on ash <input type="checkbox"/>	+\$0
GOU	natural walnut, flat cut, matte sheen <input type="checkbox"/>	+\$0

RecoGrain Veneer

For two 15" file drawers (-CF) with two 15" file drawers (CF)

68W	recograin walnut, flat cut, matte sheen <input type="checkbox"/>	-\$376
69K	recograin oak, quarter cut, matte sheen <input type="checkbox"/>	-\$376
69W	recograin walnut, quarter cut, matte sheen <input type="checkbox"/>	-\$376

Recon Veneer -

For two 15" file drawers (-CF) with two 15" file drawers (CF)

98W	recograin walnut, flat cut, low sheen <input type="checkbox"/>	-\$376
99K	recograin oak, quarter cut, low sheen <input type="checkbox"/>	-\$376
99W	recograin walnut, quarter cut, low sheen <input type="checkbox"/>	-\$376

H-Frame Credenza Two Units Wide

continued

HermanMiller Ancillary--Storage

Premium Veneer - Low Sheen

For two 15" file drawers (-CF) with six box drawers (top two pencil trays)

(CG)

931	champagne anigre (natural) <input type="checkbox"/>	+\$3626
932	sundance anigre <input type="checkbox"/>	+\$3626
933	caramel anigre <input type="checkbox"/>	+\$3626
934	henna anigre <input type="checkbox"/>	+\$3626
941	natural beech <input type="checkbox"/>	+\$0
942	sundance cherry (natural) <input type="checkbox"/>	+\$0
943	caramel cherry <input type="checkbox"/>	+\$0
946	cocoa cherry <input type="checkbox"/>	+\$0
951	natural anigre <input type="checkbox"/>	+\$3626
956	cocoa sapele <input type="checkbox"/>	+\$0
962	toasted walnut, low sheen <input type="checkbox"/>	+\$0
963	charred walnut, low sheen <input type="checkbox"/>	+\$0
964	bronzed walnut, low sheen <input type="checkbox"/>	+\$0
965	smoked walnut, low sheen <input type="checkbox"/>	+\$0
966	coffee walnut, low sheen <input type="checkbox"/>	+\$0
967	smoked paldao, low sheen <input type="checkbox"/>	+\$1360
969	warm paldao, low sheen <input type="checkbox"/>	+\$1360
977	chocolate ash, low sheen <input type="checkbox"/>	+\$0
978	natural oak <input type="checkbox"/>	+\$0
981	champagne hickory (natural) <input type="checkbox"/>	+\$0
98R	recograin rosewood <input type="checkbox"/>	+\$0
991	champagne ash <input type="checkbox"/>	+\$0
998	ebony ash <input type="checkbox"/>	+\$0
99A	recograin frosty ash <input type="checkbox"/>	+\$0
99R	recograin rosewood <input type="checkbox"/>	+\$0
99T	recograin teak <input type="checkbox"/>	+\$0
9A1	white ash, quarter cut, low sheen <input type="checkbox"/>	+\$0
9K1	rift oak, rift cut, low sheen <input type="checkbox"/>	+\$0
9K6	burnt oak, rift cut, low sheen <input type="checkbox"/>	+\$0
G2U	light brown walnut, low sheen <input type="checkbox"/>	+\$0
G40	dark brown walnut, low sheen <input type="checkbox"/>	+\$0

Premium Veneer - Matte

For two 15" file drawers (-CF) with six box drawers (top two pencil trays)

(CG)

662	toasted walnut, matte sheen <input type="checkbox"/>	+\$0
663	charred walnut, matte sheen <input type="checkbox"/>	+\$0
664	bronzed walnut, matte sheen <input type="checkbox"/>	+\$0
665	smoked walnut, matte sheen <input type="checkbox"/>	+\$0
666	coffee walnut, matte sheen <input type="checkbox"/>	+\$0
667	smoked paldao, quarter cut, matte sheen <input type="checkbox"/>	+\$1360
669	warm paldao, quarter cut, matte sheen <input type="checkbox"/>	+\$1360
66A	recograin frosty ash <input type="checkbox"/>	+\$0
677	chocolate ash, matte sheen <input type="checkbox"/>	+\$0
678	natural oak <input type="checkbox"/>	+\$0
68R	recograin rosewood <input type="checkbox"/>	+\$0
69A	recograin frosty ash <input type="checkbox"/>	+\$0
69R	recograin rosewood <input type="checkbox"/>	+\$0
69T	recograin teak <input type="checkbox"/>	+\$0
6A1	white ash <input type="checkbox"/>	+\$0
6K1	rift oak <input type="checkbox"/>	+\$0
6K6	burnt oak <input type="checkbox"/>	+\$0
ET	clear on ash <input type="checkbox"/>	+\$0
EU	oak on ash <input type="checkbox"/>	+\$0
EV	walnut on ash <input type="checkbox"/>	+\$0
GOU	natural walnut, flat cut, matte sheen <input type="checkbox"/>	+\$0

RecoGrain Veneer

For two 15" file drawers (-CF) with six box drawers (top two pencil trays)

(CG)

68W	recograin walnut, flat cut, matte sheen <input type="checkbox"/>	-\$454
69K	recograin oak, quarter cut, matte sheen <input type="checkbox"/>	-\$454
69W	recograin walnut, quarter cut, matte sheen <input type="checkbox"/>	-\$454

Recon Veneer -

For two 15" file drawers (-CF) with six box drawers (top two pencil trays)

(CG)

98W	recograin walnut, flat cut, low sheen <input type="checkbox"/>	-\$454
99K	recograin oak, quarter cut, low sheen <input type="checkbox"/>	-\$454
99W	recograin walnut, quarter cut, low sheen <input type="checkbox"/>	-\$454

H-Frame Credenza Two Units Wide

continued

Premium Veneer - Low Sheen

For one file drawer (-CH) with double doors left, 30" box/file right (CH)

931	champagne anigre (natural) <input type="checkbox"/>	+\$2927
932	sundance anigre <input type="checkbox"/>	+\$2927
933	caramel anigre <input type="checkbox"/>	+\$2927
934	henna anigre <input type="checkbox"/>	+\$2927
941	natural beech <input type="checkbox"/>	+\$0
942	sundance cherry (natural) <input type="checkbox"/>	+\$0
943	caramel cherry <input type="checkbox"/>	+\$0
946	cocoa cherry <input type="checkbox"/>	+\$0
951	natural anigre <input type="checkbox"/>	+\$2927
956	cocoa sapele <input type="checkbox"/>	+\$0
962	toasted walnut, low sheen <input type="checkbox"/>	+\$0
963	charred walnut, low sheen <input type="checkbox"/>	+\$0
964	bronzed walnut, low sheen <input type="checkbox"/>	+\$0
965	smoked walnut, low sheen <input type="checkbox"/>	+\$0
966	coffee walnut, low sheen <input type="checkbox"/>	+\$0
967	smoked paldao, low sheen <input type="checkbox"/>	+\$1098
969	warm paldao, low sheen <input type="checkbox"/>	+\$1098
977	chocolate ash, low sheen <input type="checkbox"/>	+\$0
978	natural oak <input type="checkbox"/>	+\$0
981	champagne hickory (natural) <input type="checkbox"/>	+\$0
98R	recograin rosewood <input type="checkbox"/>	+\$0
991	champagne ash <input type="checkbox"/>	+\$0
998	ebony ash <input type="checkbox"/>	+\$0
99A	recograin frosty ash <input type="checkbox"/>	+\$0
99R	recograin rosewood <input type="checkbox"/>	+\$0
99T	recograin teak <input type="checkbox"/>	+\$0
9A1	white ash, quarter cut, low sheen <input type="checkbox"/>	+\$0
9K1	rift oak, rift cut, low sheen <input type="checkbox"/>	+\$0
9K6	burnt oak, rift cut, low sheen <input type="checkbox"/>	+\$0
G2U	light brown walnut, low sheen <input type="checkbox"/>	+\$0
G40	dark brown walnut, low sheen <input type="checkbox"/>	+\$0

Premium Veneer - Matte

For one file drawer (-CH) with double doors left, 30" box/file right (CH)

662	toasted walnut, matte sheen <input type="checkbox"/>	+\$0
663	charred walnut, matte sheen <input type="checkbox"/>	+\$0
664	bronzed walnut, matte sheen <input type="checkbox"/>	+\$0
665	smoked walnut, matte sheen <input type="checkbox"/>	+\$0
666	coffee walnut, matte sheen <input type="checkbox"/>	+\$0
667	smoked paldao, quarter cut, matte sheen <input type="checkbox"/>	+\$1098
669	warm paldao, quarter cut, matte sheen <input type="checkbox"/>	+\$1098
66A	recograin frosty ash <input type="checkbox"/>	+\$0
677	chocolate ash, matte sheen <input type="checkbox"/>	+\$0
678	natural oak <input type="checkbox"/>	+\$0
68R	recograin rosewood <input type="checkbox"/>	+\$0
69A	recograin frosty ash <input type="checkbox"/>	+\$0
69R	recograin rosewood <input type="checkbox"/>	+\$0
69T	recograin teak <input type="checkbox"/>	+\$0
6A1	white ash <input type="checkbox"/>	+\$0
6K1	rift oak <input type="checkbox"/>	+\$0
6K6	burnt oak <input type="checkbox"/>	+\$0
ET	clear on ash <input type="checkbox"/>	+\$0
EU	oak on ash <input type="checkbox"/>	+\$0
EV	walnut on ash <input type="checkbox"/>	+\$0
GOU	natural walnut, flat cut, matte sheen <input type="checkbox"/>	+\$0

RecoGrain Veneer

For one file drawer (-CH) with double doors left, 30" box/file right (CH)

68W	recograin walnut, flat cut, matte sheen <input type="checkbox"/>	-\$366
69K	recograin oak, quarter cut, matte sheen <input type="checkbox"/>	-\$366
69W	recograin walnut, quarter cut, matte sheen <input type="checkbox"/>	-\$366

Recon Veneer -

For one file drawer (-CH) with double doors left, 30" box/file right (CH)

98W	recograin walnut, flat cut, low sheen <input type="checkbox"/>	-\$366
99K	recograin oak, quarter cut, low sheen <input type="checkbox"/>	-\$366
99W	recograin walnut, quarter cut, low sheen <input type="checkbox"/>	-\$366

H-Frame Credenza Two Units Wide

continued

HermanMiller Ancillary—Storage

Premium Veneer - Low Sheen

For three box drawers (-CK) with two doors (C2)

931	champagne anigre (natural) <input type="checkbox"/>	+\$3177
932	sundance anigre <input type="checkbox"/>	+\$3177
933	caramel anigre <input type="checkbox"/>	+\$3177
934	henna anigre <input type="checkbox"/>	+\$3177
941	natural beech <input type="checkbox"/>	+\$0
942	sundance cherry (natural) <input type="checkbox"/>	+\$0
943	caramel cherry <input type="checkbox"/>	+\$0
946	cocoa cherry <input type="checkbox"/>	+\$0
951	natural anigre <input type="checkbox"/>	+\$3177
956	cocoa sapele <input type="checkbox"/>	+\$0
962	toasted walnut, low sheen <input type="checkbox"/>	+\$0
963	charred walnut, low sheen <input type="checkbox"/>	+\$0
964	bronzed walnut, low sheen <input type="checkbox"/>	+\$0
965	smoked walnut, low sheen <input type="checkbox"/>	+\$0
966	coffee walnut, low sheen <input type="checkbox"/>	+\$0
967	smoked paldao, low sheen <input type="checkbox"/>	+\$1192
969	warm paldao, low sheen <input type="checkbox"/>	+\$1192
977	chocolate ash, low sheen <input type="checkbox"/>	+\$0
978	natural oak <input type="checkbox"/>	+\$0
981	champagne hickory (natural) <input type="checkbox"/>	+\$0
98R	recograin rosewood <input type="checkbox"/>	+\$0
991	champagne ash <input type="checkbox"/>	+\$0
998	ebony ash <input type="checkbox"/>	+\$0
99A	recograin frosty ash <input type="checkbox"/>	+\$0
99R	recograin rosewood <input type="checkbox"/>	+\$0
99T	recograin teak <input type="checkbox"/>	+\$0
9A1	white ash, quarter cut, low sheen <input type="checkbox"/>	+\$0
9K1	rift oak, rift cut, low sheen <input type="checkbox"/>	+\$0
9K6	burnt oak, rift cut, low sheen <input type="checkbox"/>	+\$0
G2U	light brown walnut, low sheen <input type="checkbox"/>	+\$0
G40	dark brown walnut, low sheen <input type="checkbox"/>	+\$0

Premium Veneer - Matte

For three box drawers (-CK) with two doors (C2)

662	toasted walnut, matte sheen <input type="checkbox"/>	+\$0
663	charred walnut, matte sheen <input type="checkbox"/>	+\$0
664	bronzed walnut, matte sheen <input type="checkbox"/>	+\$0
665	smoked walnut, matte sheen <input type="checkbox"/>	+\$0
666	coffee walnut, matte sheen <input type="checkbox"/>	+\$0
667	smoked paldao, quarter cut, matte sheen <input type="checkbox"/>	+\$1192
669	warm paldao, quarter cut, matte sheen <input type="checkbox"/>	+\$1192
66A	recograin frosty ash <input type="checkbox"/>	+\$0
677	chocolate ash, matte sheen <input type="checkbox"/>	+\$0
678	natural oak <input type="checkbox"/>	+\$0
68R	recograin rosewood <input type="checkbox"/>	+\$0
69A	recograin frosty ash <input type="checkbox"/>	+\$0
69R	recograin rosewood <input type="checkbox"/>	+\$0
69T	recograin teak <input type="checkbox"/>	+\$0
6A1	white ash <input type="checkbox"/>	+\$0
6K1	rift oak <input type="checkbox"/>	+\$0
6K6	burnt oak <input type="checkbox"/>	+\$0
ET	clear on ash <input type="checkbox"/>	+\$0
EU	oak on ash <input type="checkbox"/>	+\$0
EV	walnut on ash <input type="checkbox"/>	+\$0
GOU	natural walnut, flat cut, matte sheen <input type="checkbox"/>	+\$0

RecoGrain Veneer

For three box drawers (-CK) with two doors (C2)

68W	recograin walnut, flat cut, matte sheen <input type="checkbox"/>	-\$398
69K	recograin oak, quarter cut, matte sheen <input type="checkbox"/>	-\$398
69W	recograin walnut, quarter cut, matte sheen <input type="checkbox"/>	-\$398

Recon Veneer -

For three box drawers (-CK) with two doors (C2)

98W	recograin walnut, flat cut, low sheen <input type="checkbox"/>	-\$398
99K	recograin oak, quarter cut, low sheen <input type="checkbox"/>	-\$398
99W	recograin walnut, quarter cut, low sheen <input type="checkbox"/>	-\$398

H-Frame Credenza Two Units Wide

continued

Premium Veneer - Low Sheen

For three box drawers (-CK) with two 15" file drawers (CF)

931	champagne anigre (natural) [A]	+\$3274
932	sundance anigre [A]	+\$3274
933	caramel anigre [A]	+\$3274
934	henna anigre [A]	+\$3274
941	natural beech [A]	+\$0
942	sundance cherry (natural) [A]	+\$0
943	caramel cherry [A]	+\$0
946	cocoa cherry [A]	+\$0
951	natural anigre [A]	+\$3274
956	cocoa sapele [A]	+\$0
962	toasted walnut, low sheen [A]	+\$0
963	charred walnut, low sheen [A]	+\$0
964	bronzed walnut, low sheen [A]	+\$0
965	smoked walnut, low sheen [A]	+\$0
966	coffee walnut, low sheen [A]	+\$0
967	smoked paldao, low sheen [A]	+\$1228
969	warm paldao, low sheen [A]	+\$1228
977	chocolate ash, low sheen [A]	+\$0
978	natural oak [A]	+\$0
981	champagne hickory (natural) [A]	+\$0
98R	recograin rosewood [A]	+\$0
991	champagne ash [A]	+\$0
998	ebony ash [A]	+\$0
99A	recograin frosty ash [A]	+\$0
99R	recograin rosewood [A]	+\$0
99T	recograin teak [A]	+\$0
9A1	white ash, quarter cut, low sheen [A]	+\$0
9K1	rift oak, rift cut, low sheen [A]	+\$0
9K6	burnt oak, rift cut, low sheen [A]	+\$0
G2U	light brown walnut, low sheen [A]	+\$0
G40	dark brown walnut, low sheen [A]	+\$0

Premium Veneer - Matte

For three box drawers (-CK) with two 15" file drawers (CF)

662	toasted walnut, matte sheen [A]	+\$0
663	charred walnut, matte sheen [A]	+\$0
664	bronzed walnut, matte sheen [A]	+\$0
665	smoked walnut, matte sheen [A]	+\$0
666	coffee walnut, matte sheen [A]	+\$0
667	smoked paldao, quarter cut, matte sheen [A]	+\$1228
669	warm paldao, quarter cut, matte sheen [A]	+\$1228
66A	recograin frosty ash [A]	+\$0
677	chocolate ash, matte sheen [A]	+\$0
678	natural oak [A]	+\$0
68R	recograin rosewood [A]	+\$0
69A	recograin frosty ash [A]	+\$0
69R	recograin rosewood [A]	+\$0
69T	recograin teak [A]	+\$0
6A1	white ash [A]	+\$0
6K1	rift oak [A]	+\$0
6K6	burnt oak [A]	+\$0
ET	clear on ash [A]	+\$0
EU	oak on ash [A]	+\$0
EV	walnut on ash [A]	+\$0
GOU	natural walnut, flat cut, matte sheen [A]	+\$0

RecoGrain Veneer

For three box drawers (-CK) with two 15" file drawers (CF)

68W	recograin walnut, flat cut, matte sheen [A]	-\$410
69K	recograin oak, quarter cut, matte sheen [A]	-\$410
69W	recograin walnut, quarter cut, matte sheen [A]	-\$410

Recon Veneer -

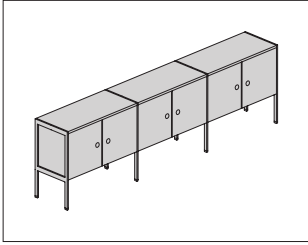
For three box drawers (-CK) with two 15" file drawers (CF)

98W	recograin walnut, flat cut, low sheen [A]	-\$410
99K	recograin oak, quarter cut, low sheen [A]	-\$410
99W	recograin walnut, quarter cut, low sheen [A]	-\$410

Step 6. Metal Finish

CHR	chrome [A]	+\$0
SAC	satin chrome [A]	+\$0

H-Frame Credenza Three Units Wide JCH3-



HermanMiller Ancillary-Storage

Product Information

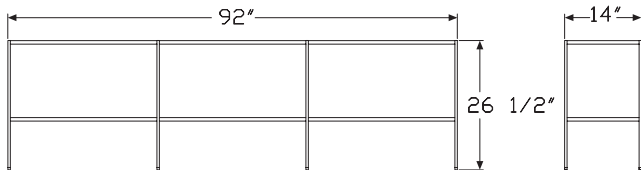
Description

This three-unit wide H-frame credenza has a wooden top and includes 1/2"-thick metal frame gables on the ends. H-frame credenzas are modular and shipped partially assembled.

Notes

All hardware for assembly is included.
 Drawer credenzas include wood boxes and self-closing hidden drawer slides.
 CG six box drawer credenza includes pencil trays and felt lining in bottom of top two drawers.
 When applicable, Ward Bennett Flip pulls come in matching metal finish.
 Santos palisander veneer is celebrated for its unique grain and color variations. Similar products ordered in multiples or dissimilar products ordered separately should be expected to have variation in both grain and color characteristics; no two products will look exactly alike.

Dimensions



Specification Information

Step 1.

JCH3

Step 2. Size

-1492 14" deep x 92" wide x 26 1/2" high

Step 3. Configuration - left unit

- C1** open shelf
- C2** two doors
- CF** two 15" file drawers
- CH** one file drawer

Step 4. Configuration - middle unit

For open shelf (-C1)

- C1** open shelf
- C2** two doors
- CF** two 15" file drawers
- CG** six box drawers (top two pencil trays)

For two doors (-C2)

- C2** two doors

For two 15" file drawers (-CF)

- CF** two 15" file drawers

For one file drawer (-CH)

- CH** one file drawer

Step 5. Configuration - right unit

For open shelf (-C1) with open shelf (C1)

- C1** open shelf

For open shelf (-C1) with two doors (C2)

- C2** two doors

For open shelf (-C1) with two 15" file drawers (CF)

- C2** two doors

For open shelf (-C1) with six box drawers (top two pencil trays) (CG)

- C2** two doors

For two doors (-C2) with two doors (C2)

- C2** two doors

H-Frame Credenza Three Units Wide

continued

For two 15" file drawers (-CF) with two 15" file drawers (CF)

CF two 15" file drawers

For one file drawer (-CH) with one file drawer (CH)

CH double doors left, 30" box/file right

Prices for Steps 1-5.

			C1	CF	CH	C2
JCH3-1492	-C1	C1	\$11013	—	—	—
		C2	—	—	—	\$14807
		CF	—	—	—	\$15208
		CG	—	—	—	\$17758
	-C2	C2	—	—	—	\$16712
	-CF	CF	—	\$17886	—	—
	-CH	CH	—	—	\$17428	—

Step 6. Wood Finish

Premium Veneer - Low Sheen

For open shelf (-C1) with open shelf (C1) with open shelf (C1)

931	champagne anigre (natural)	<input type="checkbox"/>	+\$2692
932	sundance anigre	<input type="checkbox"/>	+\$2692
933	caramel anigre	<input type="checkbox"/>	+\$2692
934	henna anigre	<input type="checkbox"/>	+\$2692
941	natural beech	<input type="checkbox"/>	+\$0
942	sundance cherry (natural)	<input type="checkbox"/>	+\$0
943	caramel cherry	<input type="checkbox"/>	+\$0
946	cocoa cherry	<input type="checkbox"/>	+\$0
951	natural anigre	<input type="checkbox"/>	+\$2692
956	cocoa sapele	<input type="checkbox"/>	+\$0
962	toasted walnut, low sheen	<input type="checkbox"/>	+\$0
963	charred walnut, low sheen	<input type="checkbox"/>	+\$0
964	bronzed walnut, low sheen	<input type="checkbox"/>	+\$0
965	smoked walnut, low sheen	<input type="checkbox"/>	+\$0
966	coffee walnut, low sheen	<input type="checkbox"/>	+\$0
967	smoked paldao, low sheen	<input type="checkbox"/>	+\$1010
969	warm paldao, low sheen	<input type="checkbox"/>	+\$1010
977	chocolate ash, low sheen	<input type="checkbox"/>	+\$0
978	natural oak	<input type="checkbox"/>	+\$0
981	champagne hickory (natural)	<input type="checkbox"/>	+\$0
98R	recograin rosewood	<input type="checkbox"/>	+\$0
991	champagne ash	<input type="checkbox"/>	+\$0
998	ebony ash	<input type="checkbox"/>	+\$0
99A	recograin frosty ash	<input type="checkbox"/>	+\$0
99R	recograin rosewood	<input type="checkbox"/>	+\$0
99T	recograin teak	<input type="checkbox"/>	+\$0
9A1	white ash, quarter cut, low sheen	<input type="checkbox"/>	+\$0
9K1	rift oak, rift cut, low sheen	<input type="checkbox"/>	+\$0
9K6	burnt oak, rift cut, low sheen	<input type="checkbox"/>	+\$0
G2U	light brown walnut, low sheen	<input type="checkbox"/>	+\$0
G40	dark brown walnut, low sheen	<input type="checkbox"/>	+\$0

HermanMiller Ancillary-Storage

H-Frame Credenza Three Units Wide

continued

HermanMiller Ancillary—Storage

Premium Veneer - Matte

For open shelf (-C1) with open shelf (C1) with open shelf (C1)

662	toasted walnut, matte sheen [A]	+\$0
663	charred walnut, matte sheen [A]	+\$0
664	bronzed walnut, matte sheen [A]	+\$0
665	smoked walnut, matte sheen [A]	+\$0
666	coffee walnut, matte sheen [A]	+\$0
667	smoked paldao, quarter cut, matte sheen [A]	+\$1010
669	warm paldao, quarter cut, matte sheen [A]	+\$1010
66A	recograin frosty ash [A]	+\$0
677	chocolate ash, matte sheen [A]	+\$0
678	natural oak [A]	+\$0
68R	recograin rosewood [A]	+\$0
69A	recograin frosty ash [A]	+\$0
69R	recograin rosewood [A]	+\$0
69T	recograin teak [A]	+\$0
6A1	white ash [A]	+\$0
6K1	rift oak [A]	+\$0
6K6	burnt oak [A]	+\$0
ET	clear on ash [A]	+\$0
EU	oak on ash [A]	+\$0
EV	walnut on ash [A]	+\$0
GOU	natural walnut, flat cut, matte sheen [A]	+\$0

RecoGrain Veneer

For open shelf (-C1) with open shelf (C1) with open shelf (C1)

68W	recograin walnut, flat cut, matte sheen [A]	-\$337
69K	recograin oak, quarter cut, matte sheen [A]	-\$337
69W	recograin walnut, quarter cut, matte sheen [A]	-\$337

Recon Veneer -

For open shelf (-C1) with open shelf (C1) with open shelf (C1)

98W	recograin walnut, flat cut, low sheen [A]	-\$337
99K	recograin oak, quarter cut, low sheen [A]	-\$337
99W	recograin walnut, quarter cut, low sheen [A]	-\$337

Premium Veneer - Low Sheen

For open shelf (-C1) with two doors (C2) with two doors (C2)

931	champagne anigre (natural) [A]	+\$3620
932	sundance anigre [A]	+\$3620
933	caramel anigre [A]	+\$3620
934	henna anigre [A]	+\$3620
941	natural beech [A]	+\$0
942	sundance cherry (natural) [A]	+\$0
943	caramel cherry [A]	+\$0
946	cocoa cherry [A]	+\$0
951	natural anigre [A]	+\$3620
956	cocoa sapele [A]	+\$0
962	toasted walnut, low sheen [A]	+\$0
963	charred walnut, low sheen [A]	+\$0
964	bronzed walnut, low sheen [A]	+\$0
965	smoked walnut, low sheen [A]	+\$0
966	coffee walnut, low sheen [A]	+\$0
967	smoked paldao, low sheen [A]	+\$1358
969	warm paldao, low sheen [A]	+\$1358
977	chocolate ash, low sheen [A]	+\$0
978	natural oak [A]	+\$0
981	champagne hickory (natural) [A]	+\$0
98R	recograin rosewood [A]	+\$0
991	champagne ash [A]	+\$0
998	ebony ash [A]	+\$0
99A	recograin frosty ash [A]	+\$0
99R	recograin rosewood [A]	+\$0
99T	recograin teak [A]	+\$0
9A1	white ash, quarter cut, low sheen [A]	+\$0
9K1	rift oak, rift cut, low sheen [A]	+\$0
9K6	burnt oak, rift cut, low sheen [A]	+\$0
G2U	light brown walnut, low sheen [A]	+\$0
G40	dark brown walnut, low sheen [A]	+\$0

H-Frame Credenza Three Units Wide

continued

Premium Veneer - Matte

For open shelf (-C1) with two doors (C2) with two doors (C2)

662	toasted walnut, matte sheen [A]	+\$0
663	charred walnut, matte sheen [A]	+\$0
664	bronzed walnut, matte sheen [A]	+\$0
665	smoked walnut, matte sheen [A]	+\$0
666	coffee walnut, matte sheen [A]	+\$0
667	smoked paldao, quarter cut, matte sheen [A]	+\$1358
669	warm paldao, quarter cut, matte sheen [A]	+\$1358
66A	recograin frosty ash [A]	+\$0
677	chocolate ash, matte sheen [A]	+\$0
678	natural oak [A]	+\$0
68R	recograin rosewood [A]	+\$0
69A	recograin frosty ash [A]	+\$0
69R	recograin rosewood [A]	+\$0
69T	recograin teak [A]	+\$0
6A1	white ash [A]	+\$0
6K1	rift oak [A]	+\$0
6K6	burnt oak [A]	+\$0
ET	clear on ash [A]	+\$0
EU	oak on ash [A]	+\$0
EV	walnut on ash [A]	+\$0
GOU	natural walnut, flat cut, matte sheen [A]	+\$0

RecoGrain Veneer

For open shelf (-C1) with two doors (C2) with two doors (C2)

68W	recograin walnut, flat cut, matte sheen [A]	-\$453
69K	recograin oak, quarter cut, matte sheen [A]	-\$453
69W	recograin walnut, quarter cut, matte sheen [A]	-\$453

Recon Veneer -

For open shelf (-C1) with two doors (C2) with two doors (C2)

98W	recograin walnut, flat cut, low sheen [A]	-\$453
99K	recograin oak, quarter cut, low sheen [A]	-\$453
99W	recograin walnut, quarter cut, low sheen [A]	-\$453

Premium Veneer - Low Sheen

For open shelf (-C1) with two 15" file drawers (CF) with two doors (C2)

931	champagne anigre (natural) [A]	+\$3718
932	sundance anigre [A]	+\$3718
933	caramel anigre [A]	+\$3718
934	henna anigre [A]	+\$3718
941	natural beech [A]	+\$0
942	sundance cherry (natural) [A]	+\$0
943	caramel cherry [A]	+\$0
946	cocoa cherry [A]	+\$0
951	natural anigre [A]	+\$3718
956	cocoa sapele [A]	+\$0
962	toasted walnut, low sheen [A]	+\$0
963	charred walnut, low sheen [A]	+\$0
964	bronzed walnut, low sheen [A]	+\$0
965	smoked walnut, low sheen [A]	+\$0
966	coffee walnut, low sheen [A]	+\$0
967	smoked paldao, low sheen [A]	+\$1394
969	warm paldao, low sheen [A]	+\$1394
977	chocolate ash, low sheen [A]	+\$0
978	natural oak [A]	+\$0
981	champagne hickory (natural) [A]	+\$0
98R	recograin rosewood [A]	+\$0
991	champagne ash [A]	+\$0
998	ebony ash [A]	+\$0
99A	recograin frosty ash [A]	+\$0
99R	recograin rosewood [A]	+\$0
99T	recograin teak [A]	+\$0
9A1	white ash, quarter cut, low sheen [A]	+\$0
9K1	rift oak, rift cut, low sheen [A]	+\$0
9K6	burnt oak, rift cut, low sheen [A]	+\$0
G2U	light brown walnut, low sheen [A]	+\$0
G40	dark brown walnut, low sheen [A]	+\$0

H-Frame Credenza Three Units Wide

continued

HermanMiller Ancillary—Storage

Premium Veneer - Matte

For open shelf (-C1) with two 15" file drawers (CF) with two doors (C2)

662	toasted walnut, matte sheen [A]	+\$0
663	charred walnut, matte sheen [A]	+\$0
664	bronzed walnut, matte sheen [A]	+\$0
665	smoked walnut, matte sheen [A]	+\$0
666	coffee walnut, matte sheen [A]	+\$0
667	smoked paldao, quarter cut, matte sheen [A]	+\$1394
669	warm paldao, quarter cut, matte sheen [A]	+\$1394
66A	recograin frosty ash [A]	+\$0
677	chocolate ash, matte sheen [A]	+\$0
678	natural oak [A]	+\$0
68R	recograin rosewood [A]	+\$0
69A	recograin frosty ash [A]	+\$0
69R	recograin rosewood [A]	+\$0
69T	recograin teak [A]	+\$0
6A1	white ash [A]	+\$0
6K1	rift oak [A]	+\$0
6K6	burnt oak [A]	+\$0
ET	clear on ash [A]	+\$0
EU	oak on ash [A]	+\$0
EV	walnut on ash [A]	+\$0
GOU	natural walnut, flat cut, matte sheen [A]	+\$0

RecoGrain Veneer

For open shelf (-C1) with two 15" file drawers (CF) with two doors (C2)

68W	recograin walnut, flat cut, matte sheen [A]	-\$465
69K	recograin oak, quarter cut, matte sheen [A]	-\$465
69W	recograin walnut, quarter cut, matte sheen [A]	-\$465

Recon Veneer -

For open shelf (-C1) with two 15" file drawers (CF) with two doors (C2)

98W	recograin walnut, flat cut, low sheen [A]	-\$465
99K	recograin oak, quarter cut, low sheen [A]	-\$465
99W	recograin walnut, quarter cut, low sheen [A]	-\$465

Premium Veneer - Low Sheen

For open shelf (-C1) with six box drawers (top two pencil trays) (CG) with two doors (C2)

931	champagne anigre (natural) [A]	+\$4342
932	sundance anigre [A]	+\$4342
933	caramel anigre [A]	+\$4342
934	henna anigre [A]	+\$4342
941	natural beech [A]	+\$0
942	sundance cherry (natural) [A]	+\$0
943	caramel cherry [A]	+\$0
946	cocoa cherry [A]	+\$0
951	natural anigre [A]	+\$4342
956	cocoa sapele [A]	+\$0
962	toasted walnut, low sheen [A]	+\$0
963	charred walnut, low sheen [A]	+\$0
964	bronzed walnut, low sheen [A]	+\$0
965	smoked walnut, low sheen [A]	+\$0
966	coffee walnut, low sheen [A]	+\$0
967	smoked paldao, low sheen [A]	+\$1628
969	warm paldao, low sheen [A]	+\$1628
977	chocolate ash, low sheen [A]	+\$0
978	natural oak [A]	+\$0
981	champagne hickory (natural) [A]	+\$0
98R	recograin rosewood [A]	+\$0
991	champagne ash [A]	+\$0
998	ebony ash [A]	+\$0
99A	recograin frosty ash [A]	+\$0
99R	recograin rosewood [A]	+\$0
99T	recograin teak [A]	+\$0
9A1	white ash, quarter cut, low sheen [A]	+\$0
9K1	rift oak, rift cut, low sheen [A]	+\$0
9K6	burnt oak, rift cut, low sheen [A]	+\$0
G2U	light brown walnut, low sheen [A]	+\$0
G40	dark brown walnut, low sheen [A]	+\$0

H-Frame Credenza Three Units Wide

continued

Premium Veneer - Matte

For open shelf (-C1) with six box drawers (top two pencil trays) (CG) with two doors (C2)

662	toasted walnut, matte sheen [A]	+\$0
663	charred walnut, matte sheen [A]	+\$0
664	bronzed walnut, matte sheen [A]	+\$0
665	smoked walnut, matte sheen [A]	+\$0
666	coffee walnut, matte sheen [A]	+\$0
667	smoked paldao, quarter cut, matte sheen [A]	+\$1628
669	warm paldao, quarter cut, matte sheen [A]	+\$1628
66A	recograin frosty ash [A]	+\$0
677	chocolate ash, matte sheen [A]	+\$0
678	natural oak [A]	+\$0
68R	recograin rosewood [A]	+\$0
69A	recograin frosty ash [A]	+\$0
69R	recograin rosewood [A]	+\$0
69T	recograin teak [A]	+\$0
6A1	white ash [A]	+\$0
6K1	rift oak [A]	+\$0
6K6	burnt oak [A]	+\$0
ET	clear on ash [A]	+\$0
EU	oak on ash [A]	+\$0
EV	walnut on ash [A]	+\$0
GOU	natural walnut, flat cut, matte sheen [A]	+\$0

RecoGrain Veneer

For open shelf (-C1) with six box drawers (top two pencil trays) (CG) with two doors (C2)

68W	recograin walnut, flat cut, matte sheen [A]	-\$543
69K	recograin oak, quarter cut, matte sheen [A]	-\$543
69W	recograin walnut, quarter cut, matte sheen [A]	-\$543

Recon Veneer -

For open shelf (-C1) with six box drawers (top two pencil trays) (CG) with two doors (C2)

98W	recograin walnut, flat cut, low sheen [A]	-\$543
99K	recograin oak, quarter cut, low sheen [A]	-\$543
99W	recograin walnut, quarter cut, low sheen [A]	-\$543

Premium Veneer - Low Sheen

For two doors (-C2) with two doors (C2) with two doors (C2)

931	champagne anigre (natural) [A]	+\$4086
932	sundance anigre [A]	+\$4086
933	caramel anigre [A]	+\$4086
934	henna anigre [A]	+\$4086
941	natural beech [A]	+\$0
942	sundance cherry (natural) [A]	+\$0
943	caramel cherry [A]	+\$0
946	cocoa cherry [A]	+\$0
951	natural anigre [A]	+\$4086
956	cocoa sapele [A]	+\$0
962	toasted walnut, low sheen [A]	+\$0
963	charred walnut, low sheen [A]	+\$0
964	bronzed walnut, low sheen [A]	+\$0
965	smoked walnut, low sheen [A]	+\$0
966	coffee walnut, low sheen [A]	+\$0
967	smoked paldao, low sheen [A]	+\$1532
969	warm paldao, low sheen [A]	+\$1532
977	chocolate ash, low sheen [A]	+\$0
978	natural oak [A]	+\$0
981	champagne hickory (natural) [A]	+\$0
98R	recograin rosewood [A]	+\$0
991	champagne ash [A]	+\$0
998	ebony ash [A]	+\$0
99A	recograin frosty ash [A]	+\$0
99R	recograin rosewood [A]	+\$0
99T	recograin teak [A]	+\$0
9A1	white ash, quarter cut, low sheen [A]	+\$0
9K1	rift oak, rift cut, low sheen [A]	+\$0
9K6	burnt oak, rift cut, low sheen [A]	+\$0
G2U	light brown walnut, low sheen [A]	+\$0
G40	dark brown walnut, low sheen [A]	+\$0

H-Frame Credenza Three Units Wide

continued

HermanMiller Ancillary—Storage

Premium Veneer - Matte

For two doors (-C2) with two doors (C2) with two doors (C2)

662	toasted walnut, matte sheen [A]	+\$0
663	charred walnut, matte sheen [A]	+\$0
664	bronzed walnut, matte sheen [A]	+\$0
665	smoked walnut, matte sheen [A]	+\$0
666	coffee walnut, matte sheen [A]	+\$0
667	smoked paldao, quarter cut, matte sheen [A]	+\$1532
669	warm paldao, quarter cut, matte sheen [A]	+\$1532
66A	recograin frosty ash [A]	+\$0
677	chocolate ash, matte sheen [A]	+\$0
678	natural oak [A]	+\$0
68R	recograin rosewood [A]	+\$0
69A	recograin frosty ash [A]	+\$0
69R	recograin rosewood [A]	+\$0
69T	recograin teak [A]	+\$0
6A1	white ash [A]	+\$0
6K1	rift oak [A]	+\$0
6K6	burnt oak [A]	+\$0
ET	clear on ash [A]	+\$0
EU	oak on ash [A]	+\$0
EV	walnut on ash [A]	+\$0
GOU	natural walnut, flat cut, matte sheen [A]	+\$0

RecoGrain Veneer

For two doors (-C2) with two doors (C2) with two doors (C2)

68W	recograin walnut, flat cut, matte sheen [A]	-\$511
69K	recograin oak, quarter cut, matte sheen [A]	-\$511
69W	recograin walnut, quarter cut, matte sheen [A]	-\$511

Recon Veneer -

For two doors (-C2) with two doors (C2) with two doors (C2)

98W	recograin walnut, flat cut, low sheen [A]	-\$511
99K	recograin oak, quarter cut, low sheen [A]	-\$511
99W	recograin walnut, quarter cut, low sheen [A]	-\$511

Premium Veneer - Low Sheen

For two 15" file drawers (-CF) with two 15" file drawers (CF) with two 15" file drawers (CF)

931	champagne anigre (natural) [A]	+\$4373
932	sundance anigre [A]	+\$4373
933	caramel anigre [A]	+\$4373
934	henna anigre [A]	+\$4373
941	natural beech [A]	+\$0
942	sundance cherry (natural) [A]	+\$0
943	caramel cherry [A]	+\$0
946	cocoa cherry [A]	+\$0
951	natural anigre [A]	+\$4373
956	cocoa sapele [A]	+\$0
962	toasted walnut, low sheen [A]	+\$0
963	charred walnut, low sheen [A]	+\$0
964	bronzed walnut, low sheen [A]	+\$0
965	smoked walnut, low sheen [A]	+\$0
966	coffee walnut, low sheen [A]	+\$0
967	smoked paldao, low sheen [A]	+\$1640
969	warm paldao, low sheen [A]	+\$1640
977	chocolate ash, low sheen [A]	+\$0
978	natural oak [A]	+\$0
981	champagne hickory (natural) [A]	+\$0
98R	recograin rosewood [A]	+\$0
991	champagne ash [A]	+\$0
998	ebony ash [A]	+\$0
99A	recograin frosty ash [A]	+\$0
99R	recograin rosewood [A]	+\$0
99T	recograin teak [A]	+\$0
9A1	white ash, quarter cut, low sheen [A]	+\$0
9K1	rift oak, rift cut, low sheen [A]	+\$0
9K6	burnt oak, rift cut, low sheen [A]	+\$0
G2U	light brown walnut, low sheen [A]	+\$0
G40	dark brown walnut, low sheen [A]	+\$0

H-Frame Credenza Three Units Wide

continued

Premium Veneer - Matte

For two 15" file drawers (-CF) with two 15" file drawers (CF) with two 15" file drawers (CF)

662	toasted walnut, matte sheen [A]	+\$0
663	charred walnut, matte sheen [A]	+\$0
664	bronzed walnut, matte sheen [A]	+\$0
665	smoked walnut, matte sheen [A]	+\$0
666	coffee walnut, matte sheen [A]	+\$0
667	smoked paldao, quarter cut, matte sheen [A]	+\$1640
669	warm paldao, quarter cut, matte sheen [A]	+\$1640
66A	recograin frosty ash [A]	+\$0
677	chocolate ash, matte sheen [A]	+\$0
678	natural oak [A]	+\$0
68R	recograin rosewood [A]	+\$0
69A	recograin frosty ash [A]	+\$0
69R	recograin rosewood [A]	+\$0
69T	recograin teak [A]	+\$0
6A1	white ash [A]	+\$0
6K1	rift oak [A]	+\$0
6K6	burnt oak [A]	+\$0
ET	clear on ash [A]	+\$0
EU	oak on ash [A]	+\$0
EV	walnut on ash [A]	+\$0
GOU	natural walnut, flat cut, matte sheen [A]	+\$0

RecoGrain Veneer

For two 15" file drawers (-CF) with two 15" file drawers (CF) with two 15" file drawers (CF)

68W	recograin walnut, flat cut, matte sheen [A]	-\$547
69K	recograin oak, quarter cut, matte sheen [A]	-\$547
69W	recograin walnut, quarter cut, matte sheen [A]	-\$547

Recon Veneer -

For two 15" file drawers (-CF) with two 15" file drawers (CF) with two 15" file drawers (CF)

98W	recograin walnut, flat cut, low sheen [A]	-\$547
99K	recograin oak, quarter cut, low sheen [A]	-\$547
99W	recograin walnut, quarter cut, low sheen [A]	-\$547

Premium Veneer - Low Sheen

For one file drawer (-CH) with one file drawer (CH) with double doors left, 30" box/file right (CH)

931	champagne anigre (natural) [A]	+\$4260
932	sundance anigre [A]	+\$4260
933	caramel anigre [A]	+\$4260
934	henna anigre [A]	+\$4260
941	natural beech [A]	+\$0
942	sundance cherry (natural) [A]	+\$0
943	caramel cherry [A]	+\$0
946	cocoa cherry [A]	+\$0
951	natural anigre [A]	+\$4260
956	cocoa sapele [A]	+\$0
962	toasted walnut, low sheen [A]	+\$0
963	charred walnut, low sheen [A]	+\$0
964	bronzed walnut, low sheen [A]	+\$0
965	smoked walnut, low sheen [A]	+\$0
966	coffee walnut, low sheen [A]	+\$0
967	smoked paldao, low sheen [A]	+\$1598
969	warm paldao, low sheen [A]	+\$1598
977	chocolate ash, low sheen [A]	+\$0
978	natural oak [A]	+\$0
981	champagne hickory (natural) [A]	+\$0
98R	recograin rosewood [A]	+\$0
991	champagne ash [A]	+\$0
998	ebony ash [A]	+\$0
99A	recograin frosty ash [A]	+\$0
99R	recograin rosewood [A]	+\$0
99T	recograin teak [A]	+\$0
9A1	white ash, quarter cut, low sheen [A]	+\$0
9K1	rift oak, rift cut, low sheen [A]	+\$0
9K6	burnt oak, rift cut, low sheen [A]	+\$0
G2U	light brown walnut, low sheen [A]	+\$0
G40	dark brown walnut, low sheen [A]	+\$0

H-Frame Credenza Three Units Wide

continued

HermanMiller Ancillary--Storage

Premium Veneer - Matte

For one file drawer (-CH) with one file drawer (CH) with double doors left, 30" box/file right (CH)

662	toasted walnut, matte sheen	A	+\$0
663	charred walnut, matte sheen	A	+\$0
664	bronzed walnut, matte sheen	A	+\$0
665	smoked walnut, matte sheen	A	+\$0
666	coffee walnut, matte sheen	A	+\$0
667	smoked paldao, quarter cut, matte sheen	A	+\$1598
669	warm paldao, quarter cut, matte sheen	A	+\$1598
66A	recograin frosty ash	A	+\$0
677	chocolate ash, matte sheen	A	+\$0
678	natural oak	A	+\$0
68R	recograin rosewood	A	+\$0
69A	recograin frosty ash	A	+\$0
69R	recograin rosewood	A	+\$0
69T	recograin teak	A	+\$0
6A1	white ash	A	+\$0
6K1	rift oak	A	+\$0
6K6	burnt oak	A	+\$0
ET	clear on ash	A	+\$0
EU	oak on ash	A	+\$0
EV	walnut on ash	A	+\$0
GOU	natural walnut, flat cut, matte sheen	A	+\$0

RecoGrain Veneer

For one file drawer (-CH) with one file drawer (CH) with double doors left, 30" box/file right (CH)

68W	recograin walnut, flat cut, matte sheen	A	-\$533
69K	recograin oak, quarter cut, matte sheen	A	-\$533
69W	recograin walnut, quarter cut, matte sheen	A	-\$533

Recon Veneer -

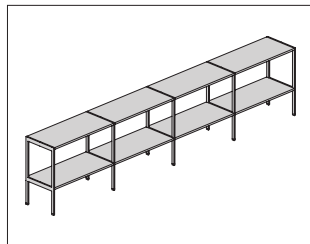
For one file drawer (-CH) with one file drawer (CH) with double doors left, 30" box/file right (CH)

98W	recograin walnut, flat cut, low sheen	A	-\$533
99K	recograin oak, quarter cut, low sheen	A	-\$533
99W	recograin walnut, quarter cut, low sheen	A	-\$533

Step 7. Metal Finish

CHR	chrome	A	+\$0
SAC	satin chrome	A	+\$0

H-Frame Credenza Four Units Wide JCH4-



Product Information

Description

This four-unit wide H-frame credenza has a wooden top and includes 1/2"-thick metal frame gables on the ends. H-frame credenzas are modular and shipped partially assembled.

Notes

All hardware for assembly is included.

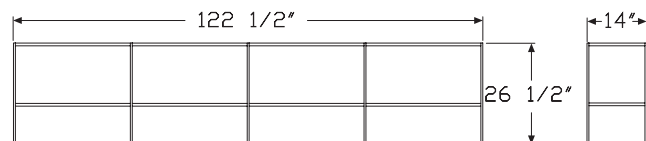
Drawer credenzas include wood boxes and self-closing hidden drawer slides.

CG six box drawer credenza includes pencil trays and felt lining in bottom of top two drawers.

When applicable, Ward Bennett Flip pulls come in matching metal finish.

Santos palisander veneer is celebrated for its unique grain and color variations. Similar products ordered in multiples or dissimilar products ordered separately should be expected to have variation in both grain and color characteristics; no two products will look exactly alike.

Dimensions



Specification Information

Step 1.

JCH4

Step 2. Size

-14123 14" deep x 122 1/2" wide x 26 1/2" high

Step 3. Configuration - left unit

-C1 open shelf

-C2 two doors

-CF two 15" file drawers

-CH one file drawer

Step 4. Configuration - left center unit

For open shelf (-C1)

C1 open shelf

CG six box drawers (top two pencil trays)

For two doors (-C2)

C2 two doors

For two 15" file drawers (-CF)

CF two 15" file drawers

For one file drawer (-CH)

CH one file drawer

Step 5. Configuration - right center unit

For open shelf (-C1) with open shelf (C1)

C1 open shelf

C2 two doors

CG six box drawers (top two pencil trays)

For open shelf (-C1) with six box drawers (top two pencil trays) (CG)

CF two 15" file drawers

For two doors (-C2) with two doors (C2)

C2 two doors

For two 15" file drawers (-CF) with two 15" file drawers (CF)

CF two 15" file drawers

For one file drawer (-CH) with one file drawer (CH)

CH one file drawer

H-Frame Credenza Four Units Wide

continued

HermanMiller Ancillary-Storage

Step 6. Configuration - right unit

For open shelf (-C1) with open shelf (C1) with open shelf (C1)

C1 open shelf A

For open shelf (-C1) with open shelf (C1) with two doors (C2)

C2 two doors A

For open shelf (-C1) with open shelf (C1) with six box drawers (top two pencil trays) (CG)

C2 two doors A

For open shelf (-C1) with six box drawers (top two pencil trays) (CG) with two 15" file drawers (CF)

C2 two doors A

For two doors (-C2) with two doors (C2) with two doors (C2)

C2 two doors A

For two 15" file drawers (-CF) with two 15" file drawers (CF) with two 15" file drawers (CF)

CF two 15" file drawers A

For one file drawer (-CH) with one file drawer (CH) with one file drawer (CH)

CH double doors left, 30" box/file right A

Prices for Steps 1-6.

			C1C1	C1C2	CFCF	CFC2	CHCH	C2C2
JCH4-14123	-C1	C1	\$14332	—	—	—	—	18133
		CG	—	—	—	\$23374	—	—
	-C2	C2	—	—	—	—	—	\$21930
	-CF	CF	—	—	\$23500	—	—	—
	-CH	CH	—	—	—	—	\$22901	—
							CGCF	CGC2
JCH4-14123	-C1	C1					—	\$21078

Step 7. Wood Finish

Premium Veneer - Low Sheen

For open shelf (-C1) with open shelf (C1) with open shelf (C1) with open shelf (C1)

931	champagne anigre (natural)	<input type="checkbox"/> A	+\$3503
932	sundance anigre	<input type="checkbox"/> A	+\$3503
933	caramel anigre	<input type="checkbox"/> A	+\$3503
934	henna anigre	<input type="checkbox"/> A	+\$3503
941	natural beech	<input type="checkbox"/> A	+\$0
942	sundance cherry (natural)	<input type="checkbox"/> A	+\$0
943	caramel cherry	<input type="checkbox"/> A	+\$0
946	cocoa cherry	<input type="checkbox"/> A	+\$0
951	natural anigre	<input type="checkbox"/> A	+\$3503
956	cocoa sapele	<input type="checkbox"/> A	+\$0
962	toasted walnut, low sheen	<input type="checkbox"/> A	+\$0
963	charred walnut, low sheen	<input type="checkbox"/> A	+\$0
964	bronzed walnut, low sheen	<input type="checkbox"/> A	+\$0
965	smoked walnut, low sheen	<input type="checkbox"/> A	+\$0
966	coffee walnut, low sheen	<input type="checkbox"/> A	+\$0
967	smoked paldao, low sheen	<input type="checkbox"/> A	+\$1314
969	warm paldao, low sheen	<input type="checkbox"/> A	+\$1314
977	chocolate ash, low sheen	<input type="checkbox"/> A	+\$0
978	natural oak	<input type="checkbox"/> A	+\$0
981	champagne hickory (natural)	<input type="checkbox"/> A	+\$0
98R	recograin rosewood	<input type="checkbox"/> A	+\$0
991	champagne ash	<input type="checkbox"/> A	+\$0
998	ebony ash	<input type="checkbox"/> A	+\$0
99A	recograin frosty ash	<input type="checkbox"/> A	+\$0
99R	recograin rosewood	<input type="checkbox"/> A	+\$0
99T	recograin teak	<input type="checkbox"/> A	+\$0
9A1	white ash, quarter cut, low sheen	<input type="checkbox"/> A	+\$0
9K1	rift oak, rift cut, low sheen	<input type="checkbox"/> A	+\$0
9K6	burnt oak, rift cut, low sheen	<input type="checkbox"/> A	+\$0
G2U	light brown walnut, low sheen	<input type="checkbox"/> A	+\$0
G40	dark brown walnut, low sheen	<input type="checkbox"/> A	+\$0

H-Frame Credenza Four Units Wide

continued

Premium Veneer - Matte

For open shelf (-C1) with open shelf (C1) with open shelf (C1) with open shelf (C1)

662	toasted walnut, matte sheen [A]	+\$0
663	charred walnut, matte sheen [A]	+\$0
664	bronzed walnut, matte sheen [A]	+\$0
665	smoked walnut, matte sheen [A]	+\$0
666	coffee walnut, matte sheen [A]	+\$0
667	smoked paldao, quarter cut, matte sheen [A]	+\$1314
669	warm paldao, quarter cut, matte sheen [A]	+\$1314
66A	recograin frosty ash [A]	+\$0
677	chocolate ash, matte sheen [A]	+\$0
678	natural oak [A]	+\$0
68R	recograin rosewood [A]	+\$0
69A	recograin frosty ash [A]	+\$0
69R	recograin rosewood [A]	+\$0
69T	recograin teak [A]	+\$0
6A1	white ash [A]	+\$0
6K1	rift oak [A]	+\$0
6K6	burnt oak [A]	+\$0
ET	clear on ash [A]	+\$0
EU	oak on ash [A]	+\$0
EV	walnut on ash [A]	+\$0
GOU	natural walnut, flat cut, matte sheen [A]	+\$0

RecoGrain Veneer

For open shelf (-C1) with open shelf (C1) with open shelf (C1) with open shelf (C1)

68W	recograin walnut, flat cut, matte sheen [A]	-\$438
69K	recograin oak, quarter cut, matte sheen [A]	-\$438
69W	recograin walnut, quarter cut, matte sheen [A]	-\$438

Recon Veneer -

For open shelf (-C1) with open shelf (C1) with open shelf (C1) with open shelf (C1)

98W	recograin walnut, flat cut, low sheen [A]	-\$438
99K	recograin oak, quarter cut, low sheen [A]	-\$438
99W	recograin walnut, quarter cut, low sheen [A]	-\$438

Premium Veneer - Low Sheen

For open shelf (-C1) with open shelf (C1) with two doors (C2) with two doors (C2)

931	champagne anigre (natural) [A]	+\$4433
932	sundance anigre [A]	+\$4433
933	caramel anigre [A]	+\$4433
934	henna anigre [A]	+\$4433
941	natural beech [A]	+\$0
942	sundance cherry (natural) [A]	+\$0
943	caramel cherry [A]	+\$0
946	cocoa cherry [A]	+\$0
951	natural anigre [A]	+\$4433
956	cocoa sapele [A]	+\$0
962	toasted walnut, low sheen [A]	+\$0
963	charred walnut, low sheen [A]	+\$0
964	bronzed walnut, low sheen [A]	+\$0
965	smoked walnut, low sheen [A]	+\$0
966	coffee walnut, low sheen [A]	+\$0
967	smoked paldao, low sheen [A]	+\$1663
969	warm paldao, low sheen [A]	+\$1663
977	chocolate ash, low sheen [A]	+\$0
978	natural oak [A]	+\$0
981	champagne hickory (natural) [A]	+\$0
98R	recograin rosewood [A]	+\$0
991	champagne ash [A]	+\$0
998	ebony ash [A]	+\$0
99A	recograin frosty ash [A]	+\$0
99R	recograin rosewood [A]	+\$0
99T	recograin teak [A]	+\$0
9A1	white ash, quarter cut, low sheen [A]	+\$0
9K1	rift oak, rift cut, low sheen [A]	+\$0
9K6	burnt oak, rift cut, low sheen [A]	+\$0
G2U	light brown walnut, low sheen [A]	+\$0
G40	dark brown walnut, low sheen [A]	+\$0

H-Frame Credenza Four Units Wide

continued

HermanMiller Ancillary-Storage

Premium Veneer - Matte

For open shelf (-C1) with open shelf (C1) with two doors (C2) with two doors (C2)

662	toasted walnut, matte sheen [A]	+\$0
663	charred walnut, matte sheen [A]	+\$0
664	bronzed walnut, matte sheen [A]	+\$0
665	smoked walnut, matte sheen [A]	+\$0
666	coffee walnut, matte sheen [A]	+\$0
667	smoked paldao, quarter cut, matte sheen [A]	+\$1663
669	warm paldao, quarter cut, matte sheen [A]	+\$1663
66A	recograin frosty ash [A]	+\$0
677	chocolate ash, matte sheen [A]	+\$0
678	natural oak [A]	+\$0
68R	recograin rosewood [A]	+\$0
69A	recograin frosty ash [A]	+\$0
69R	recograin rosewood [A]	+\$0
69T	recograin teak [A]	+\$0
6A1	white ash [A]	+\$0
6K1	rift oak [A]	+\$0
6K6	burnt oak [A]	+\$0
ET	clear on ash [A]	+\$0
EU	oak on ash [A]	+\$0
EV	walnut on ash [A]	+\$0
GOU	natural walnut, flat cut, matte sheen [A]	+\$0

RecoGrain Veneer

For open shelf (-C1) with open shelf (C1) with two doors (C2) with two doors (C2)

68W	recograin walnut, flat cut, matte sheen [A]	-\$555
69K	recograin oak, quarter cut, matte sheen [A]	-\$555
69W	recograin walnut, quarter cut, matte sheen [A]	-\$555

Recon Veneer -

For open shelf (-C1) with open shelf (C1) with two doors (C2) with two doors (C2)

98W	recograin walnut, flat cut, low sheen [A]	-\$555
99K	recograin oak, quarter cut, low sheen [A]	-\$555
99W	recograin walnut, quarter cut, low sheen [A]	-\$555

Premium Veneer - Low Sheen

For open shelf (-C1) with open shelf (C1) with six box drawers (top two pencil trays) (CG) with two doors (C2)

931	champagne anigre (natural) [A]	+\$5153
932	sundance anigre [A]	+\$5153
933	caramel anigre [A]	+\$5153
934	henna anigre [A]	+\$5153
941	natural beech [A]	+\$0
942	sundance cherry (natural) [A]	+\$0
943	caramel cherry [A]	+\$0
946	cocoa cherry [A]	+\$0
951	natural anigre [A]	+\$5153
956	cocoa sapele [A]	+\$0
962	toasted walnut, low sheen [A]	+\$0
963	charred walnut, low sheen [A]	+\$0
964	bronzed walnut, low sheen [A]	+\$0
965	smoked walnut, low sheen [A]	+\$0
966	coffee walnut, low sheen [A]	+\$0
967	smoked paldao, low sheen [A]	+\$1933
969	warm paldao, low sheen [A]	+\$1933
977	chocolate ash, low sheen [A]	+\$0
978	natural oak [A]	+\$0
981	champagne hickory (natural) [A]	+\$0
98R	recograin rosewood [A]	+\$0
991	champagne ash [A]	+\$0
998	ebony ash [A]	+\$0
99A	recograin frosty ash [A]	+\$0
99R	recograin rosewood [A]	+\$0
99T	recograin teak [A]	+\$0
9A1	white ash, quarter cut, low sheen [A]	+\$0
9K1	rift oak, rift cut, low sheen [A]	+\$0
9K6	burnt oak, rift cut, low sheen [A]	+\$0
G2U	light brown walnut, low sheen [A]	+\$0
G40	dark brown walnut, low sheen [A]	+\$0

H-Frame Credenza Four Units Wide

continued

Premium Veneer - Matte

For open shelf (-C1) with open shelf (C1) with six box drawers (top two pencil trays) (CG) with two doors (C2)

662	toasted walnut, matte sheen [A]	+\$0
663	charred walnut, matte sheen [A]	+\$0
664	bronzed walnut, matte sheen [A]	+\$0
665	smoked walnut, matte sheen [A]	+\$0
666	coffee walnut, matte sheen [A]	+\$0
667	smoked paldao, quarter cut, matte sheen [A]	+\$1933
669	warm paldao, quarter cut, matte sheen [A]	+\$1933
66A	recograin frosty ash [A]	+\$0
677	chocolate ash, matte sheen [A]	+\$0
678	natural oak [A]	+\$0
68R	recograin rosewood [A]	+\$0
69A	recograin frosty ash [A]	+\$0
69R	recograin rosewood [A]	+\$0
69T	recograin teak [A]	+\$0
6A1	white ash [A]	+\$0
6K1	rift oak [A]	+\$0
6K6	burnt oak [A]	+\$0
ET	clear on ash [A]	+\$0
EU	oak on ash [A]	+\$0
EV	walnut on ash [A]	+\$0
GOU	natural walnut, flat cut, matte sheen [A]	+\$0

RecoGrain Veneer

For open shelf (-C1) with open shelf (C1) with six box drawers (top two pencil trays) (CG) with two doors (C2)

68W	recograin walnut, flat cut, matte sheen [A]	-\$645
69K	recograin oak, quarter cut, matte sheen [A]	-\$645
69W	recograin walnut, quarter cut, matte sheen [A]	-\$645

Recon Veneer -

For open shelf (-C1) with open shelf (C1) with six box drawers (top two pencil trays) (CG) with two doors (C2)

98W	recograin walnut, flat cut, low sheen [A]	-\$645
99K	recograin oak, quarter cut, low sheen [A]	-\$645
99W	recograin walnut, quarter cut, low sheen [A]	-\$645

Premium Veneer - Low Sheen

For open shelf (-C1) with six box drawers (top two pencil trays) (CG) with two 15" file drawers (CF) with two doors (C2)

931	champagne anigre (natural) [A]	+\$5714
932	sundance anigre [A]	+\$5714
933	caramel anigre [A]	+\$5714
941	natural beech [A]	+\$0
942	sundance cherry (natural) [A]	+\$0
943	caramel cherry [A]	+\$0
946	cocoa cherry [A]	+\$0
951	natural anigre [A]	+\$5714
956	cocoa sapele [A]	+\$0
962	toasted walnut, low sheen [A]	+\$0
963	charred walnut, low sheen [A]	+\$0
964	bronzed walnut, low sheen [A]	+\$0
965	smoked walnut, low sheen [A]	+\$0
966	coffee walnut, low sheen [A]	+\$0
967	smoked paldao, low sheen [A]	+\$2143
969	warm paldao, low sheen [A]	+\$2143
977	chocolate ash, low sheen [A]	+\$0
978	natural oak [A]	+\$0
981	champagne hickory (natural) [A]	+\$0
98R	recograin rosewood [A]	+\$0
991	champagne ash [A]	+\$0
998	ebony ash [A]	+\$0
99A	recograin frosty ash [A]	+\$0
99R	recograin rosewood [A]	+\$0
99T	recograin teak [A]	+\$0
9A1	white ash, quarter cut, low sheen [A]	+\$0
9K1	rift oak, rift cut, low sheen [A]	+\$0
9K6	burnt oak, rift cut, low sheen [A]	+\$0
G2U	light brown walnut, low sheen [A]	+\$0
G40	dark brown walnut, low sheen [A]	+\$0

H-Frame Credenza Four Units Wide

continued

HermanMiller Ancillary--Storage

Premium Veneer - Matte

For open shelf (-C1) with six box drawers (top two pencil trays) (CG) with two 15" file drawers (CF) with two doors (C2)

662	toasted walnut, matte sheen [A]	+\$0
663	charred walnut, matte sheen [A]	+\$0
664	bronzed walnut, matte sheen [A]	+\$0
665	smoked walnut, matte sheen [A]	+\$0
666	coffee walnut, matte sheen [A]	+\$0
667	smoked paldao, quarter cut, matte sheen [A]	+\$2143
669	warm paldao, quarter cut, matte sheen [A]	+\$2143
66A	recograin frosty ash [A]	+\$0
677	chocolate ash, matte sheen [A]	+\$0
678	natural oak [A]	+\$0
68R	recograin rosewood [A]	+\$0
69A	recograin frosty ash [A]	+\$0
69R	recograin rosewood [A]	+\$0
69T	recograin teak [A]	+\$0
6A1	white ash [A]	+\$0
6K1	rift oak [A]	+\$0
6K6	burnt oak [A]	+\$0
ET	clear on ash [A]	+\$0
EU	oak on ash [A]	+\$0
EV	walnut on ash [A]	+\$0
GOU	natural walnut, flat cut, matte sheen [A]	+\$0

RecoGrain Veneer

For open shelf (-C1) with six box drawers (top two pencil trays) (CG) with two 15" file drawers (CF) with two doors (C2)

68W	recograin walnut, flat cut, matte sheen [A]	-\$715
69K	recograin oak, quarter cut, matte sheen [A]	-\$715
69W	recograin walnut, quarter cut, matte sheen [A]	-\$715

Recon Veneer -

For open shelf (-C1) with six box drawers (top two pencil trays) (CG) with two 15" file drawers (CF) with two doors (C2)

98W	recograin walnut, flat cut, low sheen [A]	-\$715
99K	recograin oak, quarter cut, low sheen [A]	-\$715
99W	recograin walnut, quarter cut, low sheen [A]	-\$715

Premium Veneer - Low Sheen

For two doors (-C2) with two doors (C2) with two doors (C2) with two doors (C2)

931	champagne anigre (natural) [A]	+\$5361
932	sundance anigre [A]	+\$5361
933	caramel anigre [A]	+\$5361
934	henna anigre [A]	+\$5361
941	natural beech [A]	+\$0
942	sundance cherry (natural) [A]	+\$0
943	caramel cherry [A]	+\$0
946	cocoa cherry [A]	+\$0
951	natural anigre [A]	+\$5361
956	cocoa sapele [A]	+\$0
962	toasted walnut, low sheen [A]	+\$0
963	charred walnut, low sheen [A]	+\$0
964	bronzed walnut, low sheen [A]	+\$0
965	smoked walnut, low sheen [A]	+\$0
966	coffee walnut, low sheen [A]	+\$0
967	smoked paldao, low sheen [A]	+\$2011
969	warm paldao, low sheen [A]	+\$2011
977	chocolate ash, low sheen [A]	+\$0
978	natural oak [A]	+\$0
981	champagne hickory (natural) [A]	+\$0
98R	recograin rosewood [A]	+\$0
991	champagne ash [A]	+\$0
998	ebony ash [A]	+\$0
99A	recograin frosty ash [A]	+\$0
99R	recograin rosewood [A]	+\$0
99T	recograin teak [A]	+\$0
9A1	white ash, quarter cut, low sheen [A]	+\$0
9K1	rift oak, rift cut, low sheen [A]	+\$0
9K6	burnt oak, rift cut, low sheen [A]	+\$0
G2U	light brown walnut, low sheen [A]	+\$0
G40	dark brown walnut, low sheen [A]	+\$0

H-Frame Credenza Four Units Wide

continued

Premium Veneer - Matte

For two doors (-C2) with two doors (C2) with two doors (C2) with two doors (C2)

662	toasted walnut, matte sheen [A]	+\$0
663	charred walnut, matte sheen [A]	+\$0
664	bronzed walnut, matte sheen [A]	+\$0
665	smoked walnut, matte sheen [A]	+\$0
666	coffee walnut, matte sheen [A]	+\$0
667	smoked paldao, quarter cut, matte sheen [A]	+\$2011
669	warm paldao, quarter cut, matte sheen [A]	+\$2011
66A	recograin frosty ash [A]	+\$0
677	chocolate ash, matte sheen [A]	+\$0
678	natural oak [A]	+\$0
68R	recograin rosewood [A]	+\$0
69A	recograin frosty ash [A]	+\$0
69R	recograin rosewood [A]	+\$0
69T	recograin teak [A]	+\$0
6A1	white ash [A]	+\$0
6K1	rift oak [A]	+\$0
6K6	burnt oak [A]	+\$0
ET	clear on ash [A]	+\$0
EU	oak on ash [A]	+\$0
EV	walnut on ash [A]	+\$0
GOU	natural walnut, flat cut, matte sheen [A]	+\$0

RecoGrain Veneer

For two doors (-C2) with two doors (C2) with two doors (C2) with two doors (C2)

68W	recograin walnut, flat cut, matte sheen [A]	-\$671
69K	recograin oak, quarter cut, matte sheen [A]	-\$671
69W	recograin walnut, quarter cut, matte sheen [A]	-\$671

Recon Veneer -

For two doors (-C2) with two doors (C2) with two doors (C2) with two doors (C2)

98W	recograin walnut, flat cut, low sheen [A]	-\$671
99K	recograin oak, quarter cut, low sheen [A]	-\$671
99W	recograin walnut, quarter cut, low sheen [A]	-\$671

Premium Veneer - Low Sheen

For two 15" file drawers (-CF) with two 15" file drawers (CF) with two 15" file drawers (CF) with two 15" file drawers (CF)

931	champagne anigre (natural) [A]	+\$5746
932	sundance anigre [A]	+\$5746
933	caramel anigre [A]	+\$5746
934	henna anigre [A]	+\$5746
941	natural beech [A]	+\$0
942	sundance cherry (natural) [A]	+\$0
943	caramel cherry [A]	+\$0
946	cocoa cherry [A]	+\$0
951	natural anigre [A]	+\$5746
956	cocoa sapele [A]	+\$0
962	toasted walnut, low sheen [A]	+\$0
963	charred walnut, low sheen [A]	+\$0
964	bronzed walnut, low sheen [A]	+\$0
965	smoked walnut, low sheen [A]	+\$0
966	coffee walnut, low sheen [A]	+\$0
967	smoked paldao, low sheen [A]	+\$2155
969	warm paldao, low sheen [A]	+\$2155
977	chocolate ash, low sheen [A]	+\$0
978	natural oak [A]	+\$0
981	champagne hickory (natural) [A]	+\$0
98R	recograin rosewood [A]	+\$0
991	champagne ash [A]	+\$0
998	ebony ash [A]	+\$0
99A	recograin frosty ash [A]	+\$0
99R	recograin rosewood [A]	+\$0
99T	recograin teak [A]	+\$0
9A1	white ash, quarter cut, low sheen [A]	+\$0
9K1	rift oak, rift cut, low sheen [A]	+\$0
9K6	burnt oak, rift cut, low sheen [A]	+\$0
G2U	light brown walnut, low sheen [A]	+\$0
G40	dark brown walnut, low sheen [A]	+\$0

H-Frame Credenza Four Units Wide

continued

HermanMiller Ancillary-Storage

Premium Veneer - Matte

For two 15" file drawers (-CF) with two 15" file drawers (CF) with two 15" file drawers (CF) with two 15" file drawers (CF)

662	toasted walnut, matte sheen [A]	+\$0
663	charred walnut, matte sheen [A]	+\$0
664	bronzed walnut, matte sheen [A]	+\$0
665	smoked walnut, matte sheen [A]	+\$0
666	coffee walnut, matte sheen [A]	+\$0
667	smoked paldao, quarter cut, matte sheen [A]	+\$2155
669	warm paldao, quarter cut, matte sheen [A]	+\$2155
66A	recograin frosty ash [A]	+\$0
677	chocolate ash, matte sheen [A]	+\$0
678	natural oak [A]	+\$0
68R	recograin rosewood [A]	+\$0
69A	recograin frosty ash [A]	+\$0
69R	recograin rosewood [A]	+\$0
69T	recograin teak [A]	+\$0
6A1	white ash [A]	+\$0
6K1	rift oak [A]	+\$0
6K6	burnt oak [A]	+\$0
ET	clear on ash [A]	+\$0
EU	oak on ash [A]	+\$0
EV	walnut on ash [A]	+\$0
GOU	natural walnut, flat cut, matte sheen [A]	+\$0

RecoGrain Veneer

For two 15" file drawers (-CF) with two 15" file drawers (CF) with two 15" file drawers (CF) with two 15" file drawers (CF)

68W	recograin walnut, flat cut, matte sheen [A]	-\$719
69K	recograin oak, quarter cut, matte sheen [A]	-\$719
69W	recograin walnut, quarter cut, matte sheen [A]	-\$719

Recon Veneer -

For two 15" file drawers (-CF) with two 15" file drawers (CF) with two 15" file drawers (CF) with two 15" file drawers (CF)

98W	recograin walnut, flat cut, low sheen [A]	-\$719
99K	recograin oak, quarter cut, low sheen [A]	-\$719
99W	recograin walnut, quarter cut, low sheen [A]	-\$719

Premium Veneer - Low Sheen

For one file drawer (-CH) with one file drawer (CH) with one file drawer (CH) with double doors left, 30" box/file right (CH)

931	champagne anigre (natural) [A]	+\$5598
932	sundance anigre [A]	+\$5598
933	caramel anigre [A]	+\$5598
934	henna anigre [A]	+\$5598
941	natural beech [A]	+\$0
942	sundance cherry (natural) [A]	+\$0
943	caramel cherry [A]	+\$0
946	cocoa cherry [A]	+\$0
951	natural anigre [A]	+\$5598
956	cocoa sapele [A]	+\$0
962	toasted walnut, low sheen [A]	+\$0
963	charred walnut, low sheen [A]	+\$0
964	bronzed walnut, low sheen [A]	+\$0
965	smoked walnut, low sheen [A]	+\$0
966	coffee walnut, low sheen [A]	+\$0
967	smoked paldao, low sheen [A]	+\$2100
969	warm paldao, low sheen [A]	+\$2100
977	chocolate ash, low sheen [A]	+\$0
978	natural oak [A]	+\$0
981	champagne hickory (natural) [A]	+\$0
98R	recograin rosewood [A]	+\$0
991	champagne ash [A]	+\$0
998	ebony ash [A]	+\$0
99A	recograin frosty ash [A]	+\$0
99R	recograin rosewood [A]	+\$0
99T	recograin teak [A]	+\$0
9A1	white ash, quarter cut, low sheen [A]	+\$0
9K1	rift oak, rift cut, low sheen [A]	+\$0
9K6	burnt oak, rift cut, low sheen [A]	+\$0
G2U	light brown walnut, low sheen [A]	+\$0
G40	dark brown walnut, low sheen [A]	+\$0

H-Frame Credenza Four Units Wide

continued

Premium Veneer - Matte

For one file drawer (-CH) with one file drawer (CH) with one file drawer (CH)
with double doors left, 30" box/file right (CH)

662	toasted walnut, matte sheen	A	+\$0
663	charred walnut, matte sheen	A	+\$0
664	bronzed walnut, matte sheen	A	+\$0
665	smoked walnut, matte sheen	A	+\$0
666	coffee walnut, matte sheen	A	+\$0
667	smoked paldao, quarter cut, matte sheen	A	+\$2100
669	warm paldao, quarter cut, matte sheen	A	+\$2100
66A	recograin frosty ash	A	+\$0
677	chocolate ash, matte sheen	A	+\$0
678	natural oak	A	+\$0
68R	recograin rosewood	A	+\$0
69A	recograin frosty ash	A	+\$0
69R	recograin rosewood	A	+\$0
69T	recograin teak	A	+\$0
6A1	white ash	A	+\$0
6K1	rift oak	A	+\$0
6K6	burnt oak	A	+\$0
ET	clear on ash	A	+\$0
EU	oak on ash	A	+\$0
EV	walnut on ash	A	+\$0
GOU	natural walnut, flat cut, matte sheen	A	+\$0

RecoGrain Veneer

For one file drawer (-CH) with one file drawer (CH) with one file drawer (CH)
with double doors left, 30" box/file right (CH)

68W	recograin walnut, flat cut, matte sheen	A	-\$700
69K	recograin oak, quarter cut, matte sheen	A	-\$700
69W	recograin walnut, quarter cut, matte sheen	A	-\$700

Recon Veneer -

For one file drawer (-CH) with one file drawer (CH) with one file drawer (CH)
with double doors left, 30" box/file right (CH)

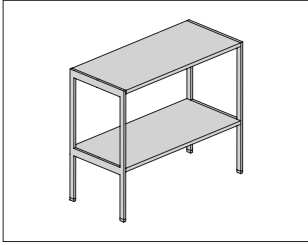
98W	recograin walnut, flat cut, low sheen	A	-\$700
99K	recograin oak, quarter cut, low sheen	A	-\$700
99W	recograin walnut, quarter cut, low sheen	A	-\$700

Step 8. Metal Finish

CHR	chrome	A	+\$0
SAC	satin chrome	A	+\$0

H-Frame Credenza Stone Top

JCH1S
JCH2S
JCH3S
JCH4S



HermanMiller Ancillary-Storage

Product Information

Description

This one-unit wide H-frame credenza has a stone top and includes 1/2"-thick metal frame gables on the ends. H-frame credenzas are modular and shipped partially assembled.

Notes

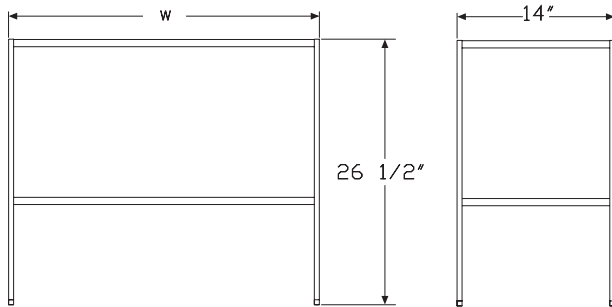
All hardware for assembly is included.

Drawer credenzas include wood boxes and self-closing hidden drawer slides. CG six box drawer credenza includes pencil trays and felt lining in bottom of top two drawers.

When applicable, Ward Bennett Flip pulls come in matching metal finish.

Santos palisander veneer is celebrated for its unique grain and color variations. Similar products ordered in multiples or dissimilar products ordered separately should be expected to have variation in both grain and color characteristics; no two products will look exactly alike.

Dimensions



Specification Information

Step 1.

JCH A

Step 2. Size and Configuration

1S-1431-C1 14" deep x 31" wide x 26 1/2" high, 1 unit, open A

2S-1462-C1C1 14" deep x 61 1/2" wide x 26 1/2" high, 2 units, open A

3S-1492-C1C1C1 14" deep x 92" wide x 26 1/2" high, 3 units, open A

4S-14123-C1C1C1C1 14" deep x 122 1/2" wide x 26 1/2" high, 4 units, open A

Prices for Steps 1-2.

JCH1S-1431-C1	\$5901
JCH2S-1462-C1C1	\$10750
JCH3S-1492-C1C1C1	\$15598
JCH4S-14123-C1C1C1C1	\$20446

Step 3. Stone or Marble Top

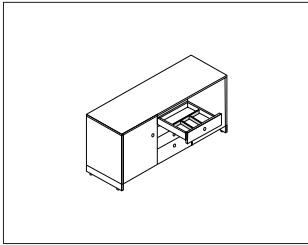
200	perfato marble <input type="checkbox"/> A	+\$0
250	verde antique marble <input type="checkbox"/> A	+\$0
400	black granite <input type="checkbox"/> A	+\$0
5U	georgia grey marble <input type="checkbox"/> A	+\$0
800	autumn brown granite <input type="checkbox"/> A	+\$0
960	white carrara marble <input type="checkbox"/> A	+\$0

Step 4. Metal Finish

CHR	chrome <input type="checkbox"/> A	+\$0
SAC	satin chrome <input type="checkbox"/> A	+\$0

Silverware Drawer Insert

JA

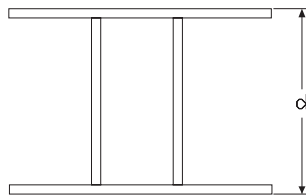
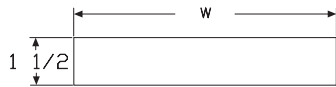


Product Information

Description

This drawer insert is for use with H-frame, sled, and mobile credenzas, in top box drawers. The bottom of top box drawer and silverware insert are covered with fabric.

Dimensions



Specification Information

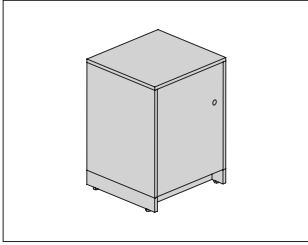
Step 1.

JA \$646

Step 2. Configuration

H1-712 for use with H-frame credenza +\$0

S1-1015 for use with sled base or mobile credenza +\$0



Product Information

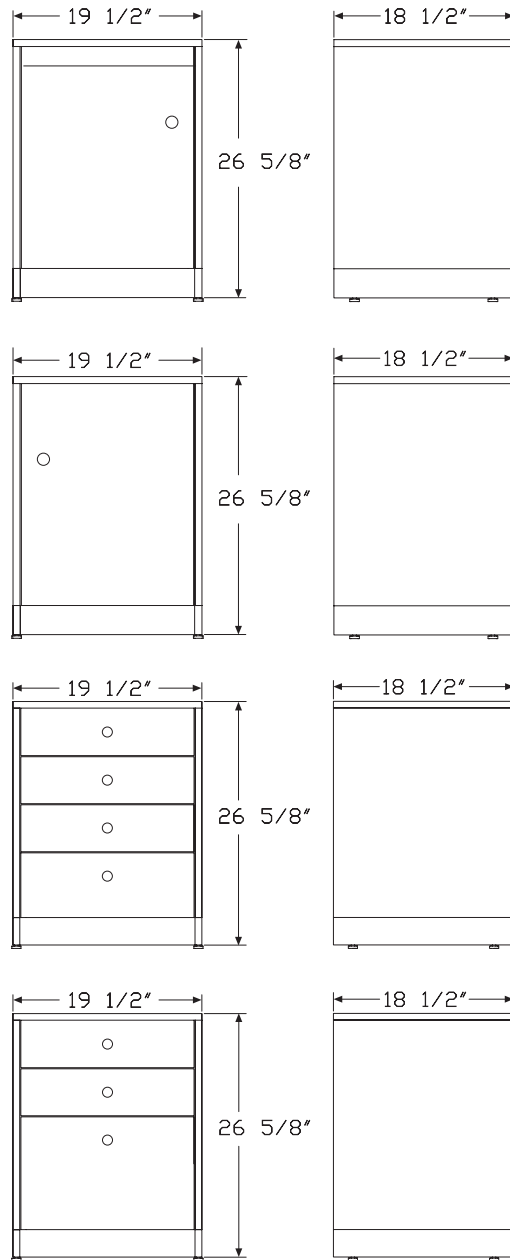
Description

This one-unit wide sled base credenza has a wood top and includes 3" high metal base on the 3/4" thick credenza gable. Storage unit is 18"-wide. Ward Bennett Flip pulls come in matching metal finish.

Notes

- Sled base credenzas ship assembled.
- Drawer credenzas include wood boxes and self-closing hidden drawer slides.
- Pencil tray and felt lining in bottom of drawer also included.
- Santos palisander veneer is celebrated for its unique grain and color variations. Similar products ordered in multiples or dissimilar products ordered separately should be expected to have variation in both grain and color characteristics; no two products will look exactly alike.

Dimensions



Specification Information

Step 1.

JCS1

Step 2. Size

-1920 18½" deep x 19½" wide x 26⅝" high

Step 3. Configuration

-B2L single door, hinged left

-B2R single door, hinged right

-B3 four box drawer

-B4 box, box, file

Prices for Steps 1-3.

JCS1-1920	-B2L	\$5549
	-B2R	\$5549
	-B3	\$7271
	-B4	\$6613

Step 4. Wood Finish

Premium Veneer - Low Sheen

For single door, hinged left (-B2L) or single door, hinged right (-B2R)

931	champagne anigre (natural) <input type="checkbox"/>	+\$1396
932	sundance anigre <input type="checkbox"/>	+\$1396
933	caramel anigre <input type="checkbox"/>	+\$1396
934	henna anigre <input type="checkbox"/>	+\$1396
941	natural beech <input type="checkbox"/>	+\$0
942	sundance cherry (natural) <input type="checkbox"/>	+\$0
943	caramel cherry <input type="checkbox"/>	+\$0
946	cocoa cherry <input type="checkbox"/>	+\$0
951	natural anigre <input type="checkbox"/>	+\$1396
956	cocoa sapele <input type="checkbox"/>	+\$0
962	toasted walnut, low sheen <input type="checkbox"/>	+\$0
963	charred walnut, low sheen <input type="checkbox"/>	+\$0
964	bronzed walnut, low sheen <input type="checkbox"/>	+\$0
965	smoked walnut, low sheen <input type="checkbox"/>	+\$0
966	coffee walnut, low sheen <input type="checkbox"/>	+\$0
967	smoked paldao, low sheen <input type="checkbox"/>	+\$524
969	warm paldao, low sheen <input type="checkbox"/>	+\$524
977	chocolate ash, low sheen <input type="checkbox"/>	+\$0
978	natural oak <input type="checkbox"/>	+\$0
981	champagne hickory (natural) <input type="checkbox"/>	+\$0
98R	recograin rosewood <input type="checkbox"/>	+\$0
991	champagne ash <input type="checkbox"/>	+\$0
998	ebony ash <input type="checkbox"/>	+\$0
99A	recograin frosty ash <input type="checkbox"/>	+\$0
99R	recograin rosewood <input type="checkbox"/>	+\$0
99T	recograin teak <input type="checkbox"/>	+\$0
9A1	white ash, quarter cut, low sheen <input type="checkbox"/>	+\$0
9K1	rift oak, rift cut, low sheen <input type="checkbox"/>	+\$0
9K6	burnt oak, rift cut, low sheen <input type="checkbox"/>	+\$0
G2U	light brown walnut, low sheen <input type="checkbox"/>	+\$0
G40	dark brown walnut, low sheen <input type="checkbox"/>	+\$0

Sled Base Pedestal *continued*

HermanMiller Ancillary—Storage

Premium Veneer - Matte

For single door, hinged left (-B2L) or single door, hinged right (-B2R)

662	toasted walnut, matte sheen <input type="checkbox"/>	+\$0
663	charred walnut, matte sheen <input type="checkbox"/>	+\$0
664	bronzed walnut, matte sheen <input type="checkbox"/>	+\$0
665	smoked walnut, matte sheen <input type="checkbox"/>	+\$0
666	coffee walnut, matte sheen <input type="checkbox"/>	+\$0
667	smoked paldao, quarter cut, matte sheen <input type="checkbox"/>	+\$524
669	warm paldao, quarter cut, matte sheen <input type="checkbox"/>	+\$524
66A	recograin frosty ash <input type="checkbox"/>	+\$0
677	chocolate ash, matte sheen <input type="checkbox"/>	+\$0
678	natural oak <input type="checkbox"/>	+\$0
68R	recograin rosewood <input type="checkbox"/>	+\$0
69A	recograin frosty ash <input type="checkbox"/>	+\$0
69R	recograin rosewood <input type="checkbox"/>	+\$0
69T	recograin teak <input type="checkbox"/>	+\$0
6A1	white ash <input type="checkbox"/>	+\$0
6K1	rift oak <input type="checkbox"/>	+\$0
6K6	burnt oak <input type="checkbox"/>	+\$0
ET	clear on ash <input type="checkbox"/>	+\$0
EU	oak on ash <input type="checkbox"/>	+\$0
EV	walnut on ash <input type="checkbox"/>	+\$0
GOU	natural walnut, flat cut, matte sheen <input type="checkbox"/>	+\$0

RecoGrain Veneer

For single door, hinged left (-B2L) or single door, hinged right (-B2R)

68W	recograin walnut, flat cut, matte sheen <input type="checkbox"/>	-\$175
69K	recograin oak, quarter cut, matte sheen <input type="checkbox"/>	-\$175
69W	recograin walnut, quarter cut, matte sheen <input type="checkbox"/>	-\$175

Recon Veneer -

For single door, hinged left (-B2L) or single door, hinged right (-B2R)

98W	recograin walnut, flat cut, low sheen <input type="checkbox"/>	-\$175
99K	recograin oak, quarter cut, low sheen <input type="checkbox"/>	-\$175
99W	recograin walnut, quarter cut, low sheen <input type="checkbox"/>	-\$175

Premium Veneer - Low Sheen

For four box drawer (-B3)

931	champagne anigre (natural) <input type="checkbox"/>	+\$1831
932	sundance anigre <input type="checkbox"/>	+\$1831
933	caramel anigre <input type="checkbox"/>	+\$1831
934	henna anigre <input type="checkbox"/>	+\$1831
941	natural beech <input type="checkbox"/>	+\$0
942	sundance cherry (natural) <input type="checkbox"/>	+\$0
943	caramel cherry <input type="checkbox"/>	+\$0
946	cocoa cherry <input type="checkbox"/>	+\$0
951	natural anigre <input type="checkbox"/>	+\$1831
956	cocoa sapele <input type="checkbox"/>	+\$0
962	toasted walnut, low sheen <input type="checkbox"/>	+\$0
963	charred walnut, low sheen <input type="checkbox"/>	+\$0
964	bronzed walnut, low sheen <input type="checkbox"/>	+\$0
965	smoked walnut, low sheen <input type="checkbox"/>	+\$0
966	coffee walnut, low sheen <input type="checkbox"/>	+\$0
967	smoked paldao, low sheen <input type="checkbox"/>	+\$687
969	warm paldao, low sheen <input type="checkbox"/>	+\$687
977	chocolate ash, low sheen <input type="checkbox"/>	+\$0
978	natural oak <input type="checkbox"/>	+\$0
981	champagne hickory (natural) <input type="checkbox"/>	+\$0
98R	recograin rosewood <input type="checkbox"/>	+\$0
991	champagne ash <input type="checkbox"/>	+\$0
998	ebony ash <input type="checkbox"/>	+\$0
99A	recograin frosty ash <input type="checkbox"/>	+\$0
99R	recograin rosewood <input type="checkbox"/>	+\$0
99T	recograin teak <input type="checkbox"/>	+\$0
9A1	white ash, quarter cut, low sheen <input type="checkbox"/>	+\$0
9K1	rift oak, rift cut, low sheen <input type="checkbox"/>	+\$0
9K6	burnt oak, rift cut, low sheen <input type="checkbox"/>	+\$0
G2U	light brown walnut, low sheen <input type="checkbox"/>	+\$0
G40	dark brown walnut, low sheen <input type="checkbox"/>	+\$0

Sled Base Pedestal *continued*

Premium Veneer - Matte

For four box drawer (-B3)

662	toasted walnut, matte sheen A	+\$0
663	charred walnut, matte sheen A	+\$0
664	bronzed walnut, matte sheen A	+\$0
665	smoked walnut, matte sheen A	+\$0
666	coffee walnut, matte sheen A	+\$0
667	smoked paldao, quarter cut, matte sheen A	+\$687
669	warm paldao, quarter cut, matte sheen A	+\$687
66A	recograin frosty ash A	+\$0
677	chocolate ash, matte sheen A	+\$0
678	natural oak A	+\$0
68R	recograin rosewood A	+\$0
69A	recograin frosty ash A	+\$0
69R	recograin rosewood A	+\$0
69T	recograin teak A	+\$0
6A1	white ash A	+\$0
6K1	rift oak A	+\$0
6K6	burnt oak A	+\$0
ET	clear on ash A	+\$0
EU	oak on ash A	+\$0
EV	walnut on ash A	+\$0
GOU	natural walnut, flat cut, matte sheen A	+\$0

RecoGrain Veneer

For four box drawer (-B3)

68W	recograin walnut, flat cut, matte sheen A	-\$229
69K	recograin oak, quarter cut, matte sheen A	-\$229
69W	recograin walnut, quarter cut, matte sheen A	-\$229

Recon Veneer -

For four box drawer (-B3)

98W	recograin walnut, flat cut, low sheen A	-\$229
99K	recograin oak, quarter cut, low sheen A	-\$229
99W	recograin walnut, quarter cut, low sheen A	-\$229

Premium Veneer - Low Sheen

For box, box, file (-B4)

931	champagne anigre (natural) A	+\$1664
932	sundance anigre A	+\$1664
933	caramel anigre A	+\$1664
934	henna anigre A	+\$1664
941	natural beech A	+\$0
942	sundance cherry (natural) A	+\$0
943	caramel cherry A	+\$0
946	cocoa cherry A	+\$0
951	natural anigre A	+\$1664
956	cocoa sapele A	+\$0
962	toasted walnut, low sheen A	+\$0
963	charred walnut, low sheen A	+\$0
964	bronzed walnut, low sheen A	+\$0
965	smoked walnut, low sheen A	+\$0
966	coffee walnut, low sheen A	+\$0
967	smoked paldao, low sheen A	+\$624
969	warm paldao, low sheen A	+\$624
977	chocolate ash, low sheen A	+\$0
978	natural oak A	+\$0
981	champagne hickory (natural) A	+\$0
98R	recograin rosewood A	+\$0
991	champagne ash A	+\$0
998	ebony ash A	+\$0
99A	recograin frosty ash A	+\$0
99R	recograin rosewood A	+\$0
99T	recograin teak A	+\$0
9A1	white ash, quarter cut, low sheen A	+\$0
9K1	rift oak, rift cut, low sheen A	+\$0
9K6	burnt oak, rift cut, low sheen A	+\$0
G2U	light brown walnut, low sheen A	+\$0
G40	dark brown walnut, low sheen A	+\$0

Sled Base Pedestal *continued*

HermanMiller Ancillary-Storage

Premium Veneer - Matte

For box, box, file (-B4)

662	toasted walnut, matte sheen <input type="checkbox"/>	+\$0
663	charred walnut, matte sheen <input type="checkbox"/>	+\$0
664	bronzed walnut, matte sheen <input type="checkbox"/>	+\$0
665	smoked walnut, matte sheen <input type="checkbox"/>	+\$0
666	coffee walnut, matte sheen <input type="checkbox"/>	+\$0
667	smoked paldao, quarter cut, matte sheen <input type="checkbox"/>	+\$624
669	warm paldao, quarter cut, matte sheen <input type="checkbox"/>	+\$624
66A	recograin frosty ash <input type="checkbox"/>	+\$0
677	chocolate ash, matte sheen <input type="checkbox"/>	+\$0
678	natural oak <input type="checkbox"/>	+\$0
68R	recograin rosewood <input type="checkbox"/>	+\$0
69A	recograin frosty ash <input type="checkbox"/>	+\$0
69R	recograin rosewood <input type="checkbox"/>	+\$0
69T	recograin teak <input type="checkbox"/>	+\$0
6A1	white ash <input type="checkbox"/>	+\$0
6K1	rift oak <input type="checkbox"/>	+\$0
6K6	burnt oak <input type="checkbox"/>	+\$0
ET	clear on ash <input type="checkbox"/>	+\$0
EU	oak on ash <input type="checkbox"/>	+\$0
EV	walnut on ash <input type="checkbox"/>	+\$0
GOU	natural walnut, flat cut, matte sheen <input type="checkbox"/>	+\$0

RecoGrain Veneer

For box, box, file (-B4)

68W	recograin walnut, flat cut, matte sheen <input type="checkbox"/>	-\$208
69K	recograin oak, quarter cut, matte sheen <input type="checkbox"/>	-\$208
69W	recograin walnut, quarter cut, matte sheen <input type="checkbox"/>	-\$208

Recon Veneer -

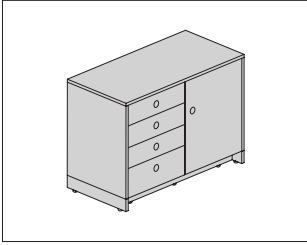
For box, box, file (-B4)

98W	recograin walnut, flat cut, low sheen <input type="checkbox"/>	-\$208
99K	recograin oak, quarter cut, low sheen <input type="checkbox"/>	-\$208
99W	recograin walnut, quarter cut, low sheen <input type="checkbox"/>	-\$208

Step 5. Metal Finish

CHR	chrome <input type="checkbox"/>	+\$0
SAC	satin chrome <input type="checkbox"/>	+\$0

Sled Base Credenza Two Units Wide JCS2-



Product Information

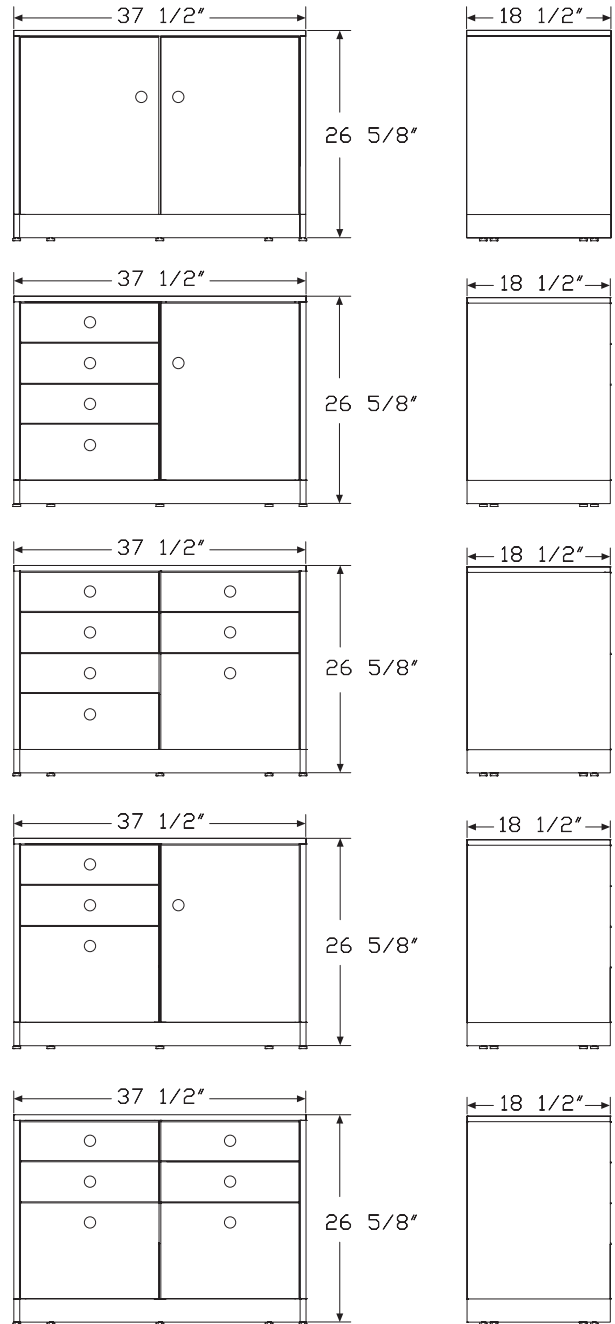
Description

This two-unit wide sled base credenza has a wood top and includes 3"-high metal base on the 3/4"-thick credenza gable. Storage unit is 18"-wide. Ward Bennett Flip pulls come in matching metal finish.

Notes

- Sled base credenzas ship assembled.
- Drawer credenzas include wood boxes and self-closing hidden drawer slides.
- Pencil tray and felt lining in bottom of drawer also included.
- Santos palisander veneer is celebrated for its unique grain and color variations. Similar products ordered in multiples or dissimilar products ordered separately should be expected to have variation in both grain and color characteristics; no two products will look exactly alike.

Dimensions



HermanMiller Ancillary-Storage

Sled Base Credenza Two Units Wide

continued

Specification Information

Step 1.

JCS2

Step 2. Size

-1938 18½" deep x 37½" wide x 26⅝" high

Step 3. Configuration

-B2B2 two doors

-B3B2 four drawers left, single door right

-B3B4 four drawers left, BBF right

-B4B2 BBF left, single door right

-B4B4 BBF left, BBF right

Prices for Steps 1-3.

JCS2-1938	-B2B2	\$8891
	-B3B2	\$10618
	-B3B4	\$11686
	-B4B2	\$9956
	-B4B4	\$11023

Step 4. Wood Finish

Premium Veneer - Low Sheen

For two doors (-B2B2)

931	champagne anigre (natural) <input type="checkbox"/>	+\$2239
932	sundance anigre <input type="checkbox"/>	+\$2239
933	caramel anigre <input type="checkbox"/>	+\$2239
934	henna anigre <input type="checkbox"/>	+\$2239
941	natural beech <input type="checkbox"/>	+\$0
942	sundance cherry (natural) <input type="checkbox"/>	+\$0
943	caramel cherry <input type="checkbox"/>	+\$0
946	cocoa cherry <input type="checkbox"/>	+\$0
951	natural anigre <input type="checkbox"/>	+\$2239
956	cocoa sapele <input type="checkbox"/>	+\$0
962	toasted walnut, low sheen <input type="checkbox"/>	+\$0
963	charred walnut, low sheen <input type="checkbox"/>	+\$0
964	bronzed walnut, low sheen <input type="checkbox"/>	+\$0
965	smoked walnut, low sheen <input type="checkbox"/>	+\$0
966	coffee walnut, low sheen <input type="checkbox"/>	+\$0
967	smoked paldao, low sheen <input type="checkbox"/>	+\$840
969	warm paldao, low sheen <input type="checkbox"/>	+\$840
977	chocolate ash, low sheen <input type="checkbox"/>	+\$0
978	natural oak <input type="checkbox"/>	+\$0
981	champagne hickory (natural) <input type="checkbox"/>	+\$0
98R	recograin rosewood <input type="checkbox"/>	+\$0
991	champagne ash <input type="checkbox"/>	+\$0
998	ebony ash <input type="checkbox"/>	+\$0
99A	recograin frosty ash <input type="checkbox"/>	+\$0
99R	recograin rosewood <input type="checkbox"/>	+\$0
99T	recograin teak <input type="checkbox"/>	+\$0
9A1	white ash, quarter cut, low sheen <input type="checkbox"/>	+\$0
9K1	rift oak, rift cut, low sheen <input type="checkbox"/>	+\$0
9K6	burnt oak, rift cut, low sheen <input type="checkbox"/>	+\$0
G2U	light brown walnut, low sheen <input type="checkbox"/>	+\$0
G40	dark brown walnut, low sheen <input type="checkbox"/>	+\$0

Sled Base Credenza Two Units Wide

continued

Premium Veneer - Matte

For two doors (-B2B2)

662	toasted walnut, matte sheen [A]	+\$0
663	charred walnut, matte sheen [A]	+\$0
664	bronzed walnut, matte sheen [A]	+\$0
665	smoked walnut, matte sheen [A]	+\$0
666	coffee walnut, matte sheen [A]	+\$0
667	smoked paldao, quarter cut, matte sheen [A]	+\$840
669	warm paldao, quarter cut, matte sheen [A]	+\$840
66A	recograin frosty ash [A]	+\$0
677	chocolate ash, matte sheen [A]	+\$0
678	natural oak [A]	+\$0
68R	recograin rosewood [A]	+\$0
69A	recograin frosty ash [A]	+\$0
69R	recograin rosewood [A]	+\$0
69T	recograin teak [A]	+\$0
6A1	white ash [A]	+\$0
6K1	rift oak [A]	+\$0
6K6	burnt oak [A]	+\$0
ET	clear on ash [A]	+\$0
EU	oak on ash [A]	+\$0
EV	walnut on ash [A]	+\$0
GOU	natural walnut, flat cut, matte sheen [A]	+\$0

RecoGrain Veneer

For two doors (-B2B2)

68W	recograin walnut, flat cut, matte sheen [A]	-\$280
69K	recograin oak, quarter cut, matte sheen [A]	-\$280
69W	recograin walnut, quarter cut, matte sheen [A]	-\$280

Recon Veneer -

For two doors (-B2B2)

98W	recograin walnut, flat cut, low sheen [A]	-\$280
99K	recograin oak, quarter cut, low sheen [A]	-\$280
99W	recograin walnut, quarter cut, low sheen [A]	-\$280

Premium Veneer - Low Sheen

For four drawers left, single door right (-B3B2)

931	champagne anigre (natural) [A]	+\$2673
932	sundance anigre [A]	+\$2673
933	caramel anigre [A]	+\$2673
934	henna anigre [A]	+\$2673
941	natural beech [A]	+\$0
942	sundance cherry (natural) [A]	+\$0
943	caramel cherry [A]	+\$0
946	cocoa cherry [A]	+\$0
951	natural anigre [A]	+\$2673
956	cocoa sapele [A]	+\$0
962	toasted walnut, low sheen [A]	+\$0
963	charred walnut, low sheen [A]	+\$0
964	bronzed walnut, low sheen [A]	+\$0
965	smoked walnut, low sheen [A]	+\$0
966	coffee walnut, low sheen [A]	+\$0
967	smoked paldao, low sheen [A]	+\$1003
969	warm paldao, low sheen [A]	+\$1003
977	chocolate ash, low sheen [A]	+\$0
978	natural oak [A]	+\$0
981	champagne hickory (natural) [A]	+\$0
98R	recograin rosewood [A]	+\$0
991	champagne ash [A]	+\$0
998	ebony ash [A]	+\$0
99A	recograin frosty ash [A]	+\$0
99R	recograin rosewood [A]	+\$0
99T	recograin teak [A]	+\$0
9A1	white ash, quarter cut, low sheen [A]	+\$0
9K1	rift oak, rift cut, low sheen [A]	+\$0
9K6	burnt oak, rift cut, low sheen [A]	+\$0
G2U	light brown walnut, low sheen [A]	+\$0
G40	dark brown walnut, low sheen [A]	+\$0

Sled Base Credenza Two Units Wide

continued

HermanMiller Ancillary—Storage

Premium Veneer - Matte

For four drawers left, single door right (-B3B2)

662	toasted walnut, matte sheen <input type="checkbox"/>	+\$0
663	charred walnut, matte sheen <input type="checkbox"/>	+\$0
664	bronzed walnut, matte sheen <input type="checkbox"/>	+\$0
665	smoked walnut, matte sheen <input type="checkbox"/>	+\$0
666	coffee walnut, matte sheen <input type="checkbox"/>	+\$0
667	smoked paldao, quarter cut, matte sheen <input type="checkbox"/>	+\$1003
669	warm paldao, quarter cut, matte sheen <input type="checkbox"/>	+\$1003
66A	recograin frosty ash <input type="checkbox"/>	+\$0
677	chocolate ash, matte sheen <input type="checkbox"/>	+\$0
678	natural oak <input type="checkbox"/>	+\$0
68R	recograin rosewood <input type="checkbox"/>	+\$0
69A	recograin frosty ash <input type="checkbox"/>	+\$0
69R	recograin rosewood <input type="checkbox"/>	+\$0
69T	recograin teak <input type="checkbox"/>	+\$0
6A1	white ash <input type="checkbox"/>	+\$0
6K1	rift oak <input type="checkbox"/>	+\$0
6K6	burnt oak <input type="checkbox"/>	+\$0
ET	clear on ash <input type="checkbox"/>	+\$0
EU	oak on ash <input type="checkbox"/>	+\$0
EV	walnut on ash <input type="checkbox"/>	+\$0
GOU	natural walnut, flat cut, matte sheen <input type="checkbox"/>	+\$0

RecoGrain Veneer

For four drawers left, single door right (-B3B2)

68W	recograin walnut, flat cut, matte sheen <input type="checkbox"/>	-\$335
69K	recograin oak, quarter cut, matte sheen <input type="checkbox"/>	-\$335
69W	recograin walnut, quarter cut, matte sheen <input type="checkbox"/>	-\$335

Recon Veneer -

For four drawers left, single door right (-B3B2)

98W	recograin walnut, flat cut, low sheen <input type="checkbox"/>	-\$335
99K	recograin oak, quarter cut, low sheen <input type="checkbox"/>	-\$335
99W	recograin walnut, quarter cut, low sheen <input type="checkbox"/>	-\$335

Premium Veneer - Low Sheen

For four drawers left, BBF right (-B3B4)

931	champagne anigre (natural) <input type="checkbox"/>	+\$2942
932	sundance anigre <input type="checkbox"/>	+\$2942
933	caramel anigre <input type="checkbox"/>	+\$2942
934	henna anigre <input type="checkbox"/>	+\$2942
941	natural beech <input type="checkbox"/>	+\$0
942	sundance cherry (natural) <input type="checkbox"/>	+\$0
943	caramel cherry <input type="checkbox"/>	+\$0
946	cocoa cherry <input type="checkbox"/>	+\$0
951	natural anigre <input type="checkbox"/>	+\$2942
956	cocoa sapele <input type="checkbox"/>	+\$0
962	toasted walnut, low sheen <input type="checkbox"/>	+\$0
963	charred walnut, low sheen <input type="checkbox"/>	+\$0
964	bronzed walnut, low sheen <input type="checkbox"/>	+\$0
965	smoked walnut, low sheen <input type="checkbox"/>	+\$0
966	coffee walnut, low sheen <input type="checkbox"/>	+\$0
967	smoked paldao, low sheen <input type="checkbox"/>	+\$1103
969	warm paldao, low sheen <input type="checkbox"/>	+\$1103
977	chocolate ash, low sheen <input type="checkbox"/>	+\$0
978	natural oak <input type="checkbox"/>	+\$0
981	champagne hickory (natural) <input type="checkbox"/>	+\$0
98R	recograin rosewood <input type="checkbox"/>	+\$0
991	champagne ash <input type="checkbox"/>	+\$0
998	ebony ash <input type="checkbox"/>	+\$0
99A	recograin frosty ash <input type="checkbox"/>	+\$0
99R	recograin rosewood <input type="checkbox"/>	+\$0
99T	recograin teak <input type="checkbox"/>	+\$0
9A1	white ash, quarter cut, low sheen <input type="checkbox"/>	+\$0
9K1	rift oak, rift cut, low sheen <input type="checkbox"/>	+\$0
9K6	burnt oak, rift cut, low sheen <input type="checkbox"/>	+\$0
G2U	light brown walnut, low sheen <input type="checkbox"/>	+\$0
G40	dark brown walnut, low sheen <input type="checkbox"/>	+\$0

Sled Base Credenza Two Units Wide

continued

Premium Veneer - Matte

For four drawers left, BBF right (-B3B4)

662	toasted walnut, matte sheen [A]	+\$0
663	charred walnut, matte sheen [A]	+\$0
664	bronzed walnut, matte sheen [A]	+\$0
665	smoked walnut, matte sheen [A]	+\$0
666	coffee walnut, matte sheen [A]	+\$0
667	smoked paldao, quarter cut, matte sheen [A]	+\$1103
669	warm paldao, quarter cut, matte sheen [A]	+\$1103
66A	recograin frosty ash [A]	+\$0
677	chocolate ash, matte sheen [A]	+\$0
678	natural oak [A]	+\$0
68R	recograin rosewood [A]	+\$0
69A	recograin frosty ash [A]	+\$0
69R	recograin rosewood [A]	+\$0
69T	recograin teak [A]	+\$0
6A1	white ash [A]	+\$0
6K1	rift oak [A]	+\$0
6K6	burnt oak [A]	+\$0
ET	clear on ash [A]	+\$0
EU	oak on ash [A]	+\$0
EV	walnut on ash [A]	+\$0
GOU	natural walnut, flat cut, matte sheen [A]	+\$0

RecoGrain Veneer

For four drawers left, BBF right (-B3B4)

68W	recograin walnut, flat cut, matte sheen [A]	-\$368
69K	recograin oak, quarter cut, matte sheen [A]	-\$368
69W	recograin walnut, quarter cut, matte sheen [A]	-\$368

Recon Veneer -

For four drawers left, BBF right (-B3B4)

98W	recograin walnut, flat cut, low sheen [A]	-\$368
99K	recograin oak, quarter cut, low sheen [A]	-\$368
99W	recograin walnut, quarter cut, low sheen [A]	-\$368

Premium Veneer - Low Sheen

For BBF left, single door right (-B4B2)

931	champagne anigre (natural) [A]	+\$2507
932	sundance anigre [A]	+\$2507
933	caramel anigre [A]	+\$2507
934	henna anigre [A]	+\$2507
941	natural beech [A]	+\$0
942	sundance cherry (natural) [A]	+\$0
943	caramel cherry [A]	+\$0
946	cocoa cherry [A]	+\$0
951	natural anigre [A]	+\$2507
956	cocoa sapele [A]	+\$0
962	toasted walnut, low sheen [A]	+\$0
963	charred walnut, low sheen [A]	+\$0
964	bronzed walnut, low sheen [A]	+\$0
965	smoked walnut, low sheen [A]	+\$0
966	coffee walnut, low sheen [A]	+\$0
967	smoked paldao, low sheen [A]	+\$940
969	warm paldao, low sheen [A]	+\$940
977	chocolate ash, low sheen [A]	+\$0
978	natural oak [A]	+\$0
981	champagne hickory (natural) [A]	+\$0
98R	recograin rosewood [A]	+\$0
991	champagne ash [A]	+\$0
998	ebony ash [A]	+\$0
99A	recograin frosty ash [A]	+\$0
99R	recograin rosewood [A]	+\$0
99T	recograin teak [A]	+\$0
9A1	white ash, quarter cut, low sheen [A]	+\$0
9K1	rift oak, rift cut, low sheen [A]	+\$0
9K6	burnt oak, rift cut, low sheen [A]	+\$0
G2U	light brown walnut, low sheen [A]	+\$0
G40	dark brown walnut, low sheen [A]	+\$0

Sled Base Credenza Two Units Wide

continued

HermanMiller Ancillary—Storage

Premium Veneer - Matte

For BBF left, single door right (-B4B2)

662	toasted walnut, matte sheen <input type="checkbox"/>	+\$0
663	charred walnut, matte sheen <input type="checkbox"/>	+\$0
664	bronzed walnut, matte sheen <input type="checkbox"/>	+\$0
665	smoked walnut, matte sheen <input type="checkbox"/>	+\$0
666	coffee walnut, matte sheen <input type="checkbox"/>	+\$0
667	smoked paldao, quarter cut, matte sheen <input type="checkbox"/>	+\$940
669	warm paldao, quarter cut, matte sheen <input type="checkbox"/>	+\$940
66A	recograin frosty ash <input type="checkbox"/>	+\$0
677	chocolate ash, matte sheen <input type="checkbox"/>	+\$0
678	natural oak <input type="checkbox"/>	+\$0
68R	recograin rosewood <input type="checkbox"/>	+\$0
69A	recograin frosty ash <input type="checkbox"/>	+\$0
69R	recograin rosewood <input type="checkbox"/>	+\$0
69T	recograin teak <input type="checkbox"/>	+\$0
6A1	white ash <input type="checkbox"/>	+\$0
6K1	rift oak <input type="checkbox"/>	+\$0
6K6	burnt oak <input type="checkbox"/>	+\$0
ET	clear on ash <input type="checkbox"/>	+\$0
EU	oak on ash <input type="checkbox"/>	+\$0
EV	walnut on ash <input type="checkbox"/>	+\$0
GOU	natural walnut, flat cut, matte sheen <input type="checkbox"/>	+\$0

RecoGrain Veneer

For BBF left, single door right (-B4B2)

68W	recograin walnut, flat cut, matte sheen <input type="checkbox"/>	-\$314
69K	recograin oak, quarter cut, matte sheen <input type="checkbox"/>	-\$314
69W	recograin walnut, quarter cut, matte sheen <input type="checkbox"/>	-\$314

Recon Veneer -

For BBF left, single door right (-B4B2)

98W	recograin walnut, flat cut, low sheen <input type="checkbox"/>	-\$314
99K	recograin oak, quarter cut, low sheen <input type="checkbox"/>	-\$314
99W	recograin walnut, quarter cut, low sheen <input type="checkbox"/>	-\$314

Premium Veneer - Low Sheen

For BBF left, BBF right (-B4B4)

931	champagne anigre (natural) <input type="checkbox"/>	+\$2775
932	sundance anigre <input type="checkbox"/>	+\$2775
933	caramel anigre <input type="checkbox"/>	+\$2775
934	henna anigre <input type="checkbox"/>	+\$2775
941	natural beech <input type="checkbox"/>	+\$0
942	sundance cherry (natural) <input type="checkbox"/>	+\$0
943	caramel cherry <input type="checkbox"/>	+\$0
946	cocoa cherry <input type="checkbox"/>	+\$0
951	natural anigre <input type="checkbox"/>	+\$2775
956	cocoa sapele <input type="checkbox"/>	+\$0
962	toasted walnut, low sheen <input type="checkbox"/>	+\$0
963	charred walnut, low sheen <input type="checkbox"/>	+\$0
964	bronzed walnut, low sheen <input type="checkbox"/>	+\$0
965	smoked walnut, low sheen <input type="checkbox"/>	+\$0
966	coffee walnut, low sheen <input type="checkbox"/>	+\$0
967	smoked paldao, low sheen <input type="checkbox"/>	+\$1041
969	warm paldao, low sheen <input type="checkbox"/>	+\$1041
977	chocolate ash, low sheen <input type="checkbox"/>	+\$0
978	natural oak <input type="checkbox"/>	+\$0
981	champagne hickory (natural) <input type="checkbox"/>	+\$0
98R	recograin rosewood <input type="checkbox"/>	+\$0
991	champagne ash <input type="checkbox"/>	+\$0
998	ebony ash <input type="checkbox"/>	+\$0
99A	recograin frosty ash <input type="checkbox"/>	+\$0
99R	recograin rosewood <input type="checkbox"/>	+\$0
99T	recograin teak <input type="checkbox"/>	+\$0
9A1	white ash, quarter cut, low sheen <input type="checkbox"/>	+\$0
9K1	rift oak, rift cut, low sheen <input type="checkbox"/>	+\$0
9K6	burnt oak, rift cut, low sheen <input type="checkbox"/>	+\$0
G2U	light brown walnut, low sheen <input type="checkbox"/>	+\$0
G40	dark brown walnut, low sheen <input type="checkbox"/>	+\$0

Sled Base Credenza Two Units Wide

continued

Premium Veneer - Matte

For *BBF left, BBF right (-B4B4)*

662	toasted walnut, matte sheen <input type="checkbox"/>	+\$0
663	charred walnut, matte sheen <input type="checkbox"/>	+\$0
664	bronzed walnut, matte sheen <input type="checkbox"/>	+\$0
665	smoked walnut, matte sheen <input type="checkbox"/>	+\$0
666	coffee walnut, matte sheen <input type="checkbox"/>	+\$0
667	smoked paldao, quarter cut, matte sheen <input type="checkbox"/>	+\$1041
669	warm paldao, quarter cut, matte sheen <input type="checkbox"/>	+\$1041
66A	recograin frosty ash <input type="checkbox"/>	+\$0
677	chocolate ash, matte sheen <input type="checkbox"/>	+\$0
678	natural oak <input type="checkbox"/>	+\$0
68R	recograin rosewood <input type="checkbox"/>	+\$0
69A	recograin frosty ash <input type="checkbox"/>	+\$0
69R	recograin rosewood <input type="checkbox"/>	+\$0
69T	recograin teak <input type="checkbox"/>	+\$0
6A1	white ash <input type="checkbox"/>	+\$0
6K1	rift oak <input type="checkbox"/>	+\$0
6K6	burnt oak <input type="checkbox"/>	+\$0
ET	clear on ash <input type="checkbox"/>	+\$0
EU	oak on ash <input type="checkbox"/>	+\$0
EV	walnut on ash <input type="checkbox"/>	+\$0
GOU	natural walnut, flat cut, matte sheen <input type="checkbox"/>	+\$0

RecoGrain Veneer

For *BBF left, BBF right (-B4B4)*

68W	recograin walnut, flat cut, matte sheen <input type="checkbox"/>	-\$347
69K	recograin oak, quarter cut, matte sheen <input type="checkbox"/>	-\$347
69W	recograin walnut, quarter cut, matte sheen <input type="checkbox"/>	-\$347

Recon Veneer -

For *BBF left, BBF right (-B4B4)*

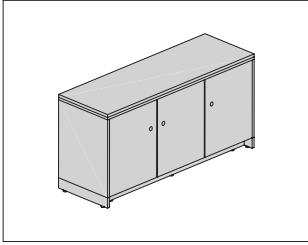
98W	recograin walnut, flat cut, low sheen <input type="checkbox"/>	-\$347
99K	recograin oak, quarter cut, low sheen <input type="checkbox"/>	-\$347
99W	recograin walnut, quarter cut, low sheen <input type="checkbox"/>	-\$347

Step 5. Metal Finish

CHR	chrome <input type="checkbox"/>	+\$0
SAC	satin chrome <input type="checkbox"/>	+\$0

Sled Base Credenza Three Units Wide

JCS3-Wide



HermanMiller Ancillary—Storage

Product Information

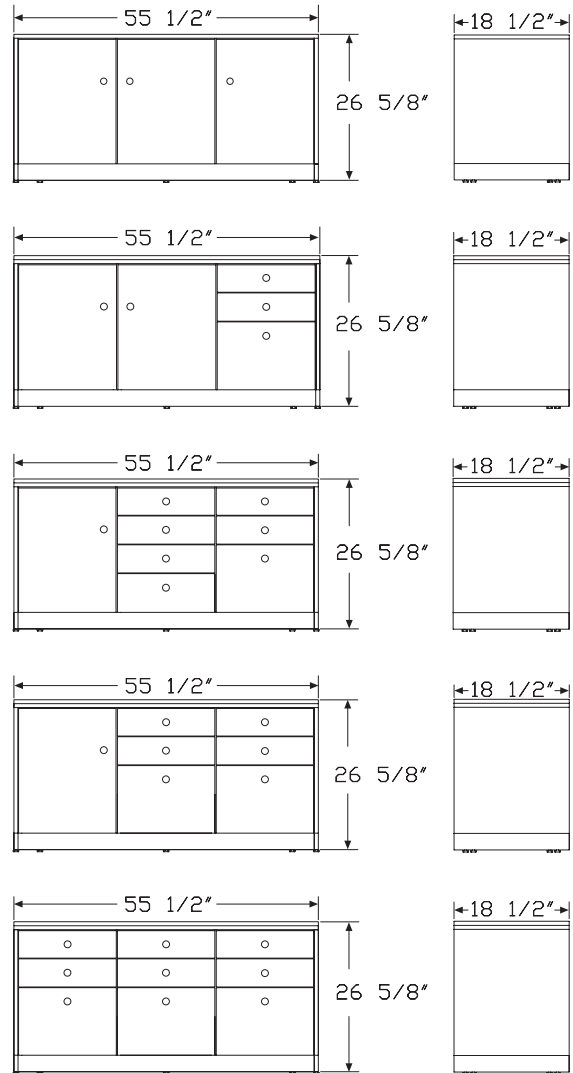
Description

This three-unit wide sled base credenza has a wood top and includes 3"-high metal base on the 3/4"-thick credenza gable. Storage unit is 18"-wide. Ward Bennett Flip pulls come in matching metal finish.

Notes

Sled base credenzas ship assembled.
 Drawer credenzas include wood boxes and self-closing hidden drawer slides.
 Pencil tray and felt lining in bottom of drawer also included.
 Santos palisander veneer is celebrated for its unique grain and color variations. Similar products ordered in multiples or dissimilar products ordered separately should be expected to have variation in both grain and color characteristics; no two products will look exactly alike.

Dimensions



Sled Base Credenza Three Units
Wide *continued*

Specification Information

Step 1.

JCS3

Step 2. Size

-1956 18½" deep x 55½" wide x 26⅝" high

Step 3. Configuration

-B2B2B2 three single doors

-B2B2B4 single door left, single door center, BBF right

-B2B3B4 single door left, 4 box center, BBF right

-B2B4B4 single door left, BBF center, BBF right

-B4B4B4 BBF left, BBF center, BBF right

Prices for Steps 1-3.

JCS3-1956	-B2B2B2	\$12319
	-B2B2B4	\$13383
	-B2B3B4	\$15109
	-B2B4B4	\$14449
	-B4B4B4	\$15514

Step 4. Wood Finish

Premium Veneer - Low Sheen

For three single doors (-B2B2B2)

931	champagne anigre (natural) <input type="checkbox"/>	+\$3102
932	sundance anigre <input type="checkbox"/>	+\$3102
933	caramel anigre <input type="checkbox"/>	+\$3102
934	henna anigre <input type="checkbox"/>	+\$3102
941	natural beech <input type="checkbox"/>	+\$0
942	sundance cherry (natural) <input type="checkbox"/>	+\$0
943	caramel cherry <input type="checkbox"/>	+\$0
946	cocoa cherry <input type="checkbox"/>	+\$0
951	natural anigre <input type="checkbox"/>	+\$3102
956	cocoa sapele <input type="checkbox"/>	+\$0
962	toasted walnut, low sheen <input type="checkbox"/>	+\$0
963	charred walnut, low sheen <input type="checkbox"/>	+\$0
964	bronzed walnut, low sheen <input type="checkbox"/>	+\$0
965	smoked walnut, low sheen <input type="checkbox"/>	+\$0
966	coffee walnut, low sheen <input type="checkbox"/>	+\$0
967	smoked paldao, low sheen <input type="checkbox"/>	+\$1164
969	warm paldao, low sheen <input type="checkbox"/>	+\$1164
977	chocolate ash, low sheen <input type="checkbox"/>	+\$0
978	natural oak <input type="checkbox"/>	+\$0
981	champagne hickory (natural) <input type="checkbox"/>	+\$0
98R	recograin rosewood <input type="checkbox"/>	+\$0
991	champagne ash <input type="checkbox"/>	+\$0
998	ebony ash <input type="checkbox"/>	+\$0
99A	recograin frosty ash <input type="checkbox"/>	+\$0
99R	recograin rosewood <input type="checkbox"/>	+\$0
99T	recograin teak <input type="checkbox"/>	+\$0
9A1	white ash, quarter cut, low sheen <input type="checkbox"/>	+\$0
9K1	rift oak, rift cut, low sheen <input type="checkbox"/>	+\$0
9K6	burnt oak, rift cut, low sheen <input type="checkbox"/>	+\$0
G2U	light brown walnut, low sheen <input type="checkbox"/>	+\$0
G40	dark brown walnut, low sheen <input type="checkbox"/>	+\$0

Sled Base Credenza Three Units
Wide *continued*

HermanMiller Ancillary—Storage

Premium Veneer - Matte

For three single doors (-B2B2B2)

662	toasted walnut, matte sheen <input type="checkbox"/>	+\$0
663	charred walnut, matte sheen <input type="checkbox"/>	+\$0
664	bronzed walnut, matte sheen <input type="checkbox"/>	+\$0
665	smoked walnut, matte sheen <input type="checkbox"/>	+\$0
666	coffee walnut, matte sheen <input type="checkbox"/>	+\$0
667	smoked paldao, quarter cut, matte sheen <input type="checkbox"/>	+\$1164
669	warm paldao, quarter cut, matte sheen <input type="checkbox"/>	+\$1164
66A	recograin frosty ash <input type="checkbox"/>	+\$0
677	chocolate ash, matte sheen <input type="checkbox"/>	+\$0
678	natural oak <input type="checkbox"/>	+\$0
68R	recograin rosewood <input type="checkbox"/>	+\$0
69A	recograin frosty ash <input type="checkbox"/>	+\$0
69R	recograin rosewood <input type="checkbox"/>	+\$0
69T	recograin teak <input type="checkbox"/>	+\$0
6A1	white ash <input type="checkbox"/>	+\$0
6K1	rift oak <input type="checkbox"/>	+\$0
6K6	burnt oak <input type="checkbox"/>	+\$0
ET	clear on ash <input type="checkbox"/>	+\$0
EU	oak on ash <input type="checkbox"/>	+\$0
EV	walnut on ash <input type="checkbox"/>	+\$0
GOU	natural walnut, flat cut, matte sheen <input type="checkbox"/>	+\$0

RecoGrain Veneer

For three single doors (-B2B2B2)

68W	recograin walnut, flat cut, matte sheen <input type="checkbox"/>	-\$388
69K	recograin oak, quarter cut, matte sheen <input type="checkbox"/>	-\$388
69W	recograin walnut, quarter cut, matte sheen <input type="checkbox"/>	-\$388

Recon Veneer -

For three single doors (-B2B2B2)

98W	recograin walnut, flat cut, low sheen <input type="checkbox"/>	-\$388
99K	recograin oak, quarter cut, low sheen <input type="checkbox"/>	-\$388
99W	recograin walnut, quarter cut, low sheen <input type="checkbox"/>	-\$388

Premium Veneer - Low Sheen

For single door left, single door center, BBF right (-B2B2B4)

931	champagne anigre (natural) <input type="checkbox"/>	+\$3370
932	sundance anigre <input type="checkbox"/>	+\$3370
933	caramel anigre <input type="checkbox"/>	+\$3370
934	henna anigre <input type="checkbox"/>	+\$3370
941	natural beech <input type="checkbox"/>	+\$0
942	sundance cherry (natural) <input type="checkbox"/>	+\$0
943	caramel cherry <input type="checkbox"/>	+\$0
946	cocoa cherry <input type="checkbox"/>	+\$0
951	natural anigre <input type="checkbox"/>	+\$3370
956	cocoa sapele <input type="checkbox"/>	+\$0
962	toasted walnut, low sheen <input type="checkbox"/>	+\$0
963	charred walnut, low sheen <input type="checkbox"/>	+\$0
964	bronzed walnut, low sheen <input type="checkbox"/>	+\$0
965	smoked walnut, low sheen <input type="checkbox"/>	+\$0
966	coffee walnut, low sheen <input type="checkbox"/>	+\$0
967	smoked paldao, low sheen <input type="checkbox"/>	+\$1264
969	warm paldao, low sheen <input type="checkbox"/>	+\$1264
977	chocolate ash, low sheen <input type="checkbox"/>	+\$0
978	natural oak <input type="checkbox"/>	+\$0
981	champagne hickory (natural) <input type="checkbox"/>	+\$0
98R	recograin rosewood <input type="checkbox"/>	+\$0
991	champagne ash <input type="checkbox"/>	+\$0
998	ebony ash <input type="checkbox"/>	+\$0
99A	recograin frosty ash <input type="checkbox"/>	+\$0
99R	recograin rosewood <input type="checkbox"/>	+\$0
99T	recograin teak <input type="checkbox"/>	+\$0
9A1	white ash, quarter cut, low sheen <input type="checkbox"/>	+\$0
9K1	rift oak, rift cut, low sheen <input type="checkbox"/>	+\$0
9K6	burnt oak, rift cut, low sheen <input type="checkbox"/>	+\$0
G2U	light brown walnut, low sheen <input type="checkbox"/>	+\$0
G40	dark brown walnut, low sheen <input type="checkbox"/>	+\$0

Sled Base Credenza Three Units
Wide *continued*

Premium Veneer - Matte

For single door left, single door center, BBF right (-B2B2B4)

662	toasted walnut, matte sheen <input type="checkbox"/>	+\$0
663	charred walnut, matte sheen <input type="checkbox"/>	+\$0
664	bronzed walnut, matte sheen <input type="checkbox"/>	+\$0
665	smoked walnut, matte sheen <input type="checkbox"/>	+\$0
666	coffee walnut, matte sheen <input type="checkbox"/>	+\$0
667	smoked paldao, quarter cut, matte sheen <input type="checkbox"/>	+\$1264
669	warm paldao, quarter cut, matte sheen <input type="checkbox"/>	+\$1264
66A	recograin frosty ash <input type="checkbox"/>	+\$0
677	chocolate ash, matte sheen <input type="checkbox"/>	+\$0
678	natural oak <input type="checkbox"/>	+\$0
68R	recograin rosewood <input type="checkbox"/>	+\$0
69A	recograin frosty ash <input type="checkbox"/>	+\$0
69R	recograin rosewood <input type="checkbox"/>	+\$0
69T	recograin teak <input type="checkbox"/>	+\$0
6A1	white ash <input type="checkbox"/>	+\$0
6K1	rift oak <input type="checkbox"/>	+\$0
6K6	burnt oak <input type="checkbox"/>	+\$0
ET	clear on ash <input type="checkbox"/>	+\$0
EU	oak on ash <input type="checkbox"/>	+\$0
EV	walnut on ash <input type="checkbox"/>	+\$0
GOU	natural walnut, flat cut, matte sheen <input type="checkbox"/>	+\$0

RecoGrain Veneer

For single door left, single door center, BBF right (-B2B2B4)

68W	recograin walnut, flat cut, matte sheen <input type="checkbox"/>	-\$422
69K	recograin oak, quarter cut, matte sheen <input type="checkbox"/>	-\$422
69W	recograin walnut, quarter cut, matte sheen <input type="checkbox"/>	-\$422

Recon Veneer -

For single door left, single door center, BBF right (-B2B2B4)

98W	recograin walnut, flat cut, low sheen <input type="checkbox"/>	-\$422
99K	recograin oak, quarter cut, low sheen <input type="checkbox"/>	-\$422
99W	recograin walnut, quarter cut, low sheen <input type="checkbox"/>	-\$422

Premium Veneer - Low Sheen

For single door left, 4 box center, BBF right (-B2B3B4)

931	champagne anigre (natural) <input type="checkbox"/>	+\$3805
932	sundance anigre <input type="checkbox"/>	+\$3805
933	caramel anigre <input type="checkbox"/>	+\$3805
934	henna anigre <input type="checkbox"/>	+\$3805
941	natural beech <input type="checkbox"/>	+\$0
942	sundance cherry (natural) <input type="checkbox"/>	+\$0
943	caramel cherry <input type="checkbox"/>	+\$0
946	cocoa cherry <input type="checkbox"/>	+\$0
951	natural anigre <input type="checkbox"/>	+\$3805
956	cocoa sapele <input type="checkbox"/>	+\$0
962	toasted walnut, low sheen <input type="checkbox"/>	+\$0
963	charred walnut, low sheen <input type="checkbox"/>	+\$0
964	bronzed walnut, low sheen <input type="checkbox"/>	+\$0
965	smoked walnut, low sheen <input type="checkbox"/>	+\$0
966	coffee walnut, low sheen <input type="checkbox"/>	+\$0
967	smoked paldao, low sheen <input type="checkbox"/>	+\$1427
969	warm paldao, low sheen <input type="checkbox"/>	+\$1427
977	chocolate ash, low sheen <input type="checkbox"/>	+\$0
978	natural oak <input type="checkbox"/>	+\$0
981	champagne hickory (natural) <input type="checkbox"/>	+\$0
98R	recograin rosewood <input type="checkbox"/>	+\$0
991	champagne ash <input type="checkbox"/>	+\$0
998	ebony ash <input type="checkbox"/>	+\$0
99A	recograin frosty ash <input type="checkbox"/>	+\$0
99R	recograin rosewood <input type="checkbox"/>	+\$0
99T	recograin teak <input type="checkbox"/>	+\$0
9A1	white ash, quarter cut, low sheen <input type="checkbox"/>	+\$0
9K1	rift oak, rift cut, low sheen <input type="checkbox"/>	+\$0
9K6	burnt oak, rift cut, low sheen <input type="checkbox"/>	+\$0
G2U	light brown walnut, low sheen <input type="checkbox"/>	+\$0
G40	dark brown walnut, low sheen <input type="checkbox"/>	+\$0

Sled Base Credenza Three Units

Wide *continued*

HermanMiller Ancillary—Storage

Premium Veneer - Matte

For single door left, 4 box center, BBF right (-B2B3B4)

662	toasted walnut, matte sheen <input type="checkbox"/>	+\$0
663	charred walnut, matte sheen <input type="checkbox"/>	+\$0
664	bronzed walnut, matte sheen <input type="checkbox"/>	+\$0
665	smoked walnut, matte sheen <input type="checkbox"/>	+\$0
666	coffee walnut, matte sheen <input type="checkbox"/>	+\$0
667	smoked paldao, quarter cut, matte sheen <input type="checkbox"/>	+\$1427
669	warm paldao, quarter cut, matte sheen <input type="checkbox"/>	+\$1427
66A	recograin frosty ash <input type="checkbox"/>	+\$0
677	chocolate ash, matte sheen <input type="checkbox"/>	+\$0
678	natural oak <input type="checkbox"/>	+\$0
68R	recograin rosewood <input type="checkbox"/>	+\$0
69A	recograin frosty ash <input type="checkbox"/>	+\$0
69R	recograin rosewood <input type="checkbox"/>	+\$0
69T	recograin teak <input type="checkbox"/>	+\$0
6A1	white ash <input type="checkbox"/>	+\$0
6K1	rift oak <input type="checkbox"/>	+\$0
6K6	burnt oak <input type="checkbox"/>	+\$0
ET	clear on ash <input type="checkbox"/>	+\$0
EU	oak on ash <input type="checkbox"/>	+\$0
EV	walnut on ash <input type="checkbox"/>	+\$0
GOU	natural walnut, flat cut, matte sheen <input type="checkbox"/>	+\$0

RecoGrain Veneer

For single door left, 4 box center, BBF right (-B2B3B4)

68W	recograin walnut, flat cut, matte sheen <input type="checkbox"/>	-\$476
69K	recograin oak, quarter cut, matte sheen <input type="checkbox"/>	-\$476
69W	recograin walnut, quarter cut, matte sheen <input type="checkbox"/>	-\$476

Recon Veneer -

For single door left, 4 box center, BBF right (-B2B3B4)

98W	recograin walnut, flat cut, low sheen <input type="checkbox"/>	-\$476
99K	recograin oak, quarter cut, low sheen <input type="checkbox"/>	-\$476
99W	recograin walnut, quarter cut, low sheen <input type="checkbox"/>	-\$476

Premium Veneer - Low Sheen

For single door left, BBF center, BBF right (-B2B4B4)

931	champagne anigre (natural) <input type="checkbox"/>	+\$3638
932	sundance anigre <input type="checkbox"/>	+\$3638
933	caramel anigre <input type="checkbox"/>	+\$3638
934	henna anigre <input type="checkbox"/>	+\$3638
941	natural beech <input type="checkbox"/>	+\$0
942	sundance cherry (natural) <input type="checkbox"/>	+\$0
943	caramel cherry <input type="checkbox"/>	+\$0
946	cocoa cherry <input type="checkbox"/>	+\$0
951	natural anigre <input type="checkbox"/>	+\$3638
956	cocoa sapele <input type="checkbox"/>	+\$0
962	toasted walnut, low sheen <input type="checkbox"/>	+\$0
963	charred walnut, low sheen <input type="checkbox"/>	+\$0
964	bronzed walnut, low sheen <input type="checkbox"/>	+\$0
965	smoked walnut, low sheen <input type="checkbox"/>	+\$0
966	coffee walnut, low sheen <input type="checkbox"/>	+\$0
967	smoked paldao, low sheen <input type="checkbox"/>	+\$1365
969	warm paldao, low sheen <input type="checkbox"/>	+\$1365
977	chocolate ash, low sheen <input type="checkbox"/>	+\$0
978	natural oak <input type="checkbox"/>	+\$0
981	champagne hickory (natural) <input type="checkbox"/>	+\$0
98R	recograin rosewood <input type="checkbox"/>	+\$0
991	champagne ash <input type="checkbox"/>	+\$0
998	ebony ash <input type="checkbox"/>	+\$0
99A	recograin frosty ash <input type="checkbox"/>	+\$0
99R	recograin rosewood <input type="checkbox"/>	+\$0
99T	recograin teak <input type="checkbox"/>	+\$0
9A1	white ash, quarter cut, low sheen <input type="checkbox"/>	+\$0
9K1	rift oak, rift cut, low sheen <input type="checkbox"/>	+\$0
9K6	burnt oak, rift cut, low sheen <input type="checkbox"/>	+\$0
G2U	light brown walnut, low sheen <input type="checkbox"/>	+\$0
G40	dark brown walnut, low sheen <input type="checkbox"/>	+\$0

Sled Base Credenza Three Units
Wide *continued*

Premium Veneer - Matte

For single door left, BBF center, BBF right (-B2B4B4)

662	toasted walnut, matte sheen <input type="checkbox"/>	+\$0
663	charred walnut, matte sheen <input type="checkbox"/>	+\$0
664	bronzed walnut, matte sheen <input type="checkbox"/>	+\$0
665	smoked walnut, matte sheen <input type="checkbox"/>	+\$0
666	coffee walnut, matte sheen <input type="checkbox"/>	+\$0
667	smoked paldao, quarter cut, matte sheen <input type="checkbox"/>	+\$1365
669	warm paldao, quarter cut, matte sheen <input type="checkbox"/>	+\$1365
66A	recograin frosty ash <input type="checkbox"/>	+\$0
677	chocolate ash, matte sheen <input type="checkbox"/>	+\$0
678	natural oak <input type="checkbox"/>	+\$0
68R	recograin rosewood <input type="checkbox"/>	+\$0
69A	recograin frosty ash <input type="checkbox"/>	+\$0
69R	recograin rosewood <input type="checkbox"/>	+\$0
69T	recograin teak <input type="checkbox"/>	+\$0
6A1	white ash <input type="checkbox"/>	+\$0
6K1	rift oak <input type="checkbox"/>	+\$0
6K6	burnt oak <input type="checkbox"/>	+\$0
ET	clear on ash <input type="checkbox"/>	+\$0
EU	oak on ash <input type="checkbox"/>	+\$0
EV	walnut on ash <input type="checkbox"/>	+\$0
GOU	natural walnut, flat cut, matte sheen <input type="checkbox"/>	+\$0

RecoGrain Veneer

For single door left, BBF center, BBF right (-B2B4B4)

68W	recograin walnut, flat cut, matte sheen <input type="checkbox"/>	-\$455
69K	recograin oak, quarter cut, matte sheen <input type="checkbox"/>	-\$455
69W	recograin walnut, quarter cut, matte sheen <input type="checkbox"/>	-\$455

Recon Veneer -

For single door left, BBF center, BBF right (-B2B4B4)

98W	recograin walnut, flat cut, low sheen <input type="checkbox"/>	-\$455
99K	recograin oak, quarter cut, low sheen <input type="checkbox"/>	-\$455
99W	recograin walnut, quarter cut, low sheen <input type="checkbox"/>	-\$455

Premium Veneer - Low Sheen

For BBF left, BBF center, BBF right (-B4B4B4)

931	champagne anigre (natural) <input type="checkbox"/>	+\$3907
932	sundance anigre <input type="checkbox"/>	+\$3907
933	caramel anigre <input type="checkbox"/>	+\$3907
934	henna anigre <input type="checkbox"/>	+\$3907
941	natural beech <input type="checkbox"/>	+\$0
942	sundance cherry (natural) <input type="checkbox"/>	+\$0
943	caramel cherry <input type="checkbox"/>	+\$0
946	cocoa cherry <input type="checkbox"/>	+\$0
951	natural anigre <input type="checkbox"/>	+\$3907
956	cocoa sapele <input type="checkbox"/>	+\$0
962	toasted walnut, low sheen <input type="checkbox"/>	+\$0
963	charred walnut, low sheen <input type="checkbox"/>	+\$0
964	bronzed walnut, low sheen <input type="checkbox"/>	+\$0
965	smoked walnut, low sheen <input type="checkbox"/>	+\$0
966	coffee walnut, low sheen <input type="checkbox"/>	+\$0
967	smoked paldao, low sheen <input type="checkbox"/>	+\$1465
969	warm paldao, low sheen <input type="checkbox"/>	+\$1465
977	chocolate ash, low sheen <input type="checkbox"/>	+\$0
978	natural oak <input type="checkbox"/>	+\$0
981	champagne hickory (natural) <input type="checkbox"/>	+\$0
98R	recograin rosewood <input type="checkbox"/>	+\$0
991	champagne ash <input type="checkbox"/>	+\$0
998	ebony ash <input type="checkbox"/>	+\$0
99A	recograin frosty ash <input type="checkbox"/>	+\$0
99R	recograin rosewood <input type="checkbox"/>	+\$0
99T	recograin teak <input type="checkbox"/>	+\$0
9A1	white ash, quarter cut, low sheen <input type="checkbox"/>	+\$0
9K1	rift oak, rift cut, low sheen <input type="checkbox"/>	+\$0
9K6	burnt oak, rift cut, low sheen <input type="checkbox"/>	+\$0
G2U	light brown walnut, low sheen <input type="checkbox"/>	+\$0
G40	dark brown walnut, low sheen <input type="checkbox"/>	+\$0

Sled Base Credenza Three Units

Wide *continued*

Premium Veneer - Matte

For BBF left, BBF center, BBF right (-B4B4B4)

662	toasted walnut, matte sheen <input type="checkbox"/>	+\$0
663	charred walnut, matte sheen <input type="checkbox"/>	+\$0
664	bronzed walnut, matte sheen <input type="checkbox"/>	+\$0
665	smoked walnut, matte sheen <input type="checkbox"/>	+\$0
666	coffee walnut, matte sheen <input type="checkbox"/>	+\$0
667	smoked paldao, quarter cut, matte sheen <input type="checkbox"/>	+\$1465
669	warm paldao, quarter cut, matte sheen <input type="checkbox"/>	+\$1465
66A	recograin frosty ash <input type="checkbox"/>	+\$0
677	chocolate ash, matte sheen <input type="checkbox"/>	+\$0
678	natural oak <input type="checkbox"/>	+\$0
68R	recograin rosewood <input type="checkbox"/>	+\$0
69A	recograin frosty ash <input type="checkbox"/>	+\$0
69R	recograin rosewood <input type="checkbox"/>	+\$0
69T	recograin teak <input type="checkbox"/>	+\$0
6A1	white ash <input type="checkbox"/>	+\$0
6K1	rift oak <input type="checkbox"/>	+\$0
6K6	burnt oak <input type="checkbox"/>	+\$0
ET	clear on ash <input type="checkbox"/>	+\$0
EU	oak on ash <input type="checkbox"/>	+\$0
EV	walnut on ash <input type="checkbox"/>	+\$0
GOU	natural walnut, flat cut, matte sheen <input type="checkbox"/>	+\$0

RecoGrain Veneer

For BBF left, BBF center, BBF right (-B4B4B4)

68W	recograin walnut, flat cut, matte sheen <input type="checkbox"/>	-\$489
69K	recograin oak, quarter cut, matte sheen <input type="checkbox"/>	-\$489
69W	recograin walnut, quarter cut, matte sheen <input type="checkbox"/>	-\$489

Recon Veneer -

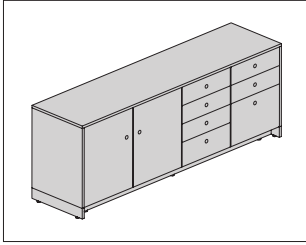
For BBF left, BBF center, BBF right (-B4B4B4)

98W	recograin walnut, flat cut, low sheen <input type="checkbox"/>	-\$489
99K	recograin oak, quarter cut, low sheen <input type="checkbox"/>	-\$489
99W	recograin walnut, quarter cut, low sheen <input type="checkbox"/>	-\$489

Step 5. Metal Finish

CHR	chrome <input type="checkbox"/>	+\$0
SAC	satin chrome <input type="checkbox"/>	+\$0

Sled Base Credenza Four Units Wide JCS4-



Product Information

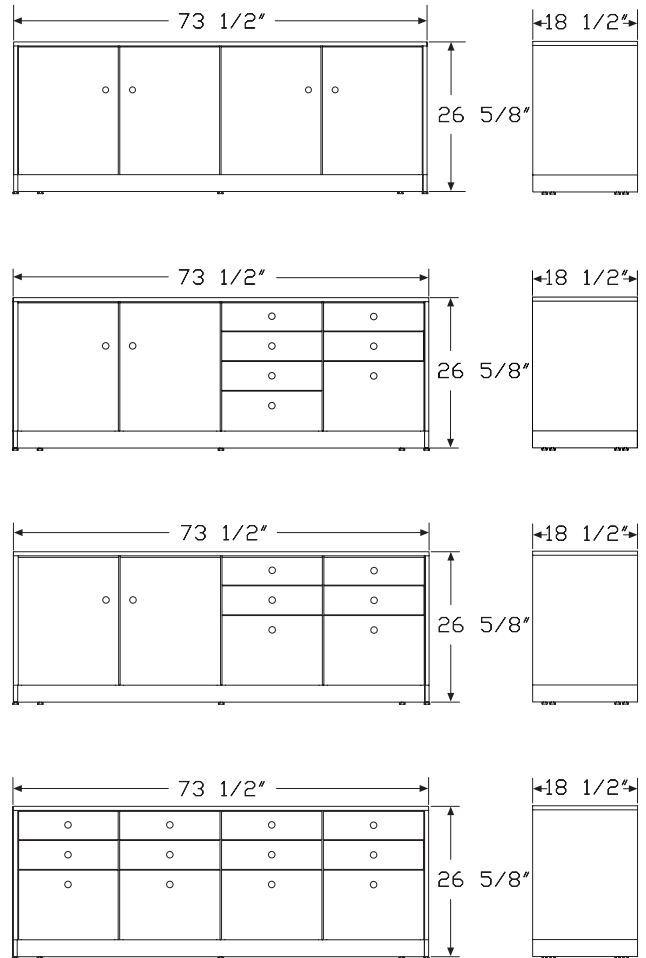
Description

This four-unit wide sled base credenza has a wood top and includes 3"-high metal base on the 3/4"-thick credenza gable. Storage unit is 18"-wide. Ward Bennett Flip pulls come in matching metal finish.

Notes

- Sled base credenzas ship assembled.
- Drawer credenzas include wood boxes and self-closing hidden drawer slides.
- Pencil tray and felt lining in bottom of drawer also included.
- Santos palisander veneer is celebrated for its unique grain and color variations. Similar products ordered in multiples or dissimilar products ordered separately should be expected to have variation in both grain and color characteristics; no two products will look exactly alike.

Dimensions



HermanMiller Ancillary-Storage

Sled Base Credenza Four Units Wide

continued

Specification Information

Step 1.

JCS4

Step 2. Size

-1974 18½" deep x 73½" wide x 26⅝" high

Step 3. Configuration

-B2B2B2B2 four single doors

-B2B2B3B4 single door left, single door left center, four drawers right center, BBF right

-B2B2B4B4 single door left, single door left center, BBF right center, BBF right

-B4B4B4B4 four BBF

Prices for Steps 1-3.

JCS4-1974	-B2B2B2B2	\$15728
	-B2B2B3B4	\$18523
	-B2B2B4B4	\$17862
	-B4B4B4B4	\$19992

Step 4. Wood Finish

Premium Veneer - Low Sheen

For four single doors (-B2B2B2B2)

931	champagne anigre (natural) <input type="checkbox"/>	+\$3961
932	sundance anigre <input type="checkbox"/>	+\$3961
933	caramel anigre <input type="checkbox"/>	+\$3961
934	henna anigre <input type="checkbox"/>	+\$3961
941	natural beech <input type="checkbox"/>	+\$0
942	sundance cherry (natural) <input type="checkbox"/>	+\$0
943	caramel cherry <input type="checkbox"/>	+\$0
946	cocoa cherry <input type="checkbox"/>	+\$0
951	natural anigre <input type="checkbox"/>	+\$3961
956	cocoa sapele <input type="checkbox"/>	+\$0
962	toasted walnut, low sheen <input type="checkbox"/>	+\$0
963	charred walnut, low sheen <input type="checkbox"/>	+\$0
964	bronzed walnut, low sheen <input type="checkbox"/>	+\$0
965	smoked walnut, low sheen <input type="checkbox"/>	+\$0
966	coffee walnut, low sheen <input type="checkbox"/>	+\$0
967	smoked paldao, low sheen <input type="checkbox"/>	+\$1486
969	warm paldao, low sheen <input type="checkbox"/>	+\$1486
977	chocolate ash, low sheen <input type="checkbox"/>	+\$0
978	natural oak <input type="checkbox"/>	+\$0
981	champagne hickory (natural) <input type="checkbox"/>	+\$0
98R	recograin rosewood <input type="checkbox"/>	+\$0
991	champagne ash <input type="checkbox"/>	+\$0
998	ebony ash <input type="checkbox"/>	+\$0
99A	recograin frosty ash <input type="checkbox"/>	+\$0
99R	recograin rosewood <input type="checkbox"/>	+\$0
99T	recograin teak <input type="checkbox"/>	+\$0
9A1	white ash, quarter cut, low sheen <input type="checkbox"/>	+\$0
9K1	rift oak, rift cut, low sheen <input type="checkbox"/>	+\$0
9K6	burnt oak, rift cut, low sheen <input type="checkbox"/>	+\$0
G2U	light brown walnut, low sheen <input type="checkbox"/>	+\$0
G40	dark brown walnut, low sheen <input type="checkbox"/>	+\$0

Sled Base Credenza Four Units Wide

continued

Premium Veneer - Matte

For four single doors (-B2B2B2B2)

662	toasted walnut, matte sheen	A	+\$0
663	charred walnut, matte sheen	A	+\$0
664	bronzed walnut, matte sheen	A	+\$0
665	smoked walnut, matte sheen	A	+\$0
666	coffee walnut, matte sheen	A	+\$0
667	smoked paldao, quarter cut, matte sheen	A	+\$1486
669	warm paldao, quarter cut, matte sheen	A	+\$1486
66A	recograin frosty ash	A	+\$0
677	chocolate ash, matte sheen	A	+\$0
678	natural oak	A	+\$0
68R	recograin rosewood	A	+\$0
69A	recograin frosty ash	A	+\$0
69R	recograin rosewood	A	+\$0
69T	recograin teak	A	+\$0
6A1	white ash	A	+\$0
6K1	rift oak	A	+\$0
6K6	burnt oak	A	+\$0
ET	clear on ash	A	+\$0
EU	oak on ash	A	+\$0
EV	walnut on ash	A	+\$0
GOU	natural walnut, flat cut, matte sheen	A	+\$0

RecoGrain Veneer

For four single doors (-B2B2B2B2)

68W	recograin walnut, flat cut, matte sheen	A	-\$496
69K	recograin oak, quarter cut, matte sheen	A	-\$496
69W	recograin walnut, quarter cut, matte sheen	A	-\$496

Recon Veneer -

For four single doors (-B2B2B2B2)

98W	recograin walnut, flat cut, low sheen	A	-\$496
99K	recograin oak, quarter cut, low sheen	A	-\$496
99W	recograin walnut, quarter cut, low sheen	A	-\$496

Premium Veneer - Low Sheen

For single door left, single door left center, four drawers right center, BBF right (-B2B2B3B4)

931	champagne anigre (natural)	A	+\$4664
932	sundance anigre	A	+\$4664
933	caramel anigre	A	+\$4664
934	henna anigre	A	+\$4664
941	natural beech	A	+\$0
942	sundance cherry (natural)	A	+\$0
943	caramel cherry	A	+\$0
946	cocoa cherry	A	+\$0
951	natural anigre	A	+\$4664
956	cocoa sapele	A	+\$0
962	toasted walnut, low sheen	A	+\$0
963	charred walnut, low sheen	A	+\$0
964	bronzed walnut, low sheen	A	+\$0
965	smoked walnut, low sheen	A	+\$0
966	coffee walnut, low sheen	A	+\$0
967	smoked paldao, low sheen	A	+\$1749
969	warm paldao, low sheen	A	+\$1749
977	chocolate ash, low sheen	A	+\$0
978	natural oak	A	+\$0
981	champagne hickory (natural)	A	+\$0
98R	recograin rosewood	A	+\$0
991	champagne ash	A	+\$0
998	ebony ash	A	+\$0
99A	recograin frosty ash	A	+\$0
99R	recograin rosewood	A	+\$0
99T	recograin teak	A	+\$0
9A1	white ash, quarter cut, low sheen	A	+\$0
9K1	rift oak, rift cut, low sheen	A	+\$0
9K6	burnt oak, rift cut, low sheen	A	+\$0
G2U	light brown walnut, low sheen	A	+\$0
G40	dark brown walnut, low sheen	A	+\$0

Sled Base Credenza Four Units Wide

continued

HermanMiller Ancillary-Storage

Premium Veneer - Matte

For single door left, single door left center, four drawers right center, BBF right (-B2B2B3B4)

662	toasted walnut, matte sheen [A]	+\$0
663	charred walnut, matte sheen [A]	+\$0
664	bronzed walnut, matte sheen [A]	+\$0
665	smoked walnut, matte sheen [A]	+\$0
666	coffee walnut, matte sheen [A]	+\$0
667	smoked paldao, quarter cut, matte sheen [A]	+\$1749
669	warm paldao, quarter cut, matte sheen [A]	+\$1749
66A	recograin frosty ash [A]	+\$0
677	chocolate ash, matte sheen [A]	+\$0
678	natural oak [A]	+\$0
68R	recograin rosewood [A]	+\$0
69A	recograin frosty ash [A]	+\$0
69R	recograin rosewood [A]	+\$0
69T	recograin teak [A]	+\$0
6A1	white ash [A]	+\$0
6K1	rift oak [A]	+\$0
6K6	burnt oak [A]	+\$0
ET	clear on ash [A]	+\$0
EU	oak on ash [A]	+\$0
EV	walnut on ash [A]	+\$0
GOU	natural walnut, flat cut, matte sheen [A]	+\$0

RecoGrain Veneer

For single door left, single door left center, four drawers right center, BBF right (-B2B2B3B4)

68W	recograin walnut, flat cut, matte sheen [A]	-\$583
69K	recograin oak, quarter cut, matte sheen [A]	-\$583
69W	recograin walnut, quarter cut, matte sheen [A]	-\$583

Recon Veneer -

For single door left, single door left center, four drawers right center, BBF right (-B2B2B3B4)

98W	recograin walnut, flat cut, low sheen [A]	-\$583
99K	recograin oak, quarter cut, low sheen [A]	-\$583
99W	recograin walnut, quarter cut, low sheen [A]	-\$583

Premium Veneer - Low Sheen

For single door left, single door left center, BBF right center, BBF right (-B2B2B4B4)

931	champagne anigre (natural) [A]	+\$4498
932	sundance anigre [A]	+\$4498
933	caramel anigre [A]	+\$4498
934	henna anigre [A]	+\$4498
941	natural beech [A]	+\$0
942	sundance cherry (natural) [A]	+\$0
943	caramel cherry [A]	+\$0
946	cocoa cherry [A]	+\$0
951	natural anigre [A]	+\$4498
956	cocoa sapele [A]	+\$0
962	toasted walnut, low sheen [A]	+\$0
963	charred walnut, low sheen [A]	+\$0
964	bronzed walnut, low sheen [A]	+\$0
965	smoked walnut, low sheen [A]	+\$0
966	coffee walnut, low sheen [A]	+\$0
967	smoked paldao, low sheen [A]	+\$1687
969	warm paldao, low sheen [A]	+\$1687
977	chocolate ash, low sheen [A]	+\$0
978	natural oak [A]	+\$0
981	champagne hickory (natural) [A]	+\$0
98R	recograin rosewood [A]	+\$0
991	champagne ash [A]	+\$0
998	ebony ash [A]	+\$0
99A	recograin frosty ash [A]	+\$0
99R	recograin rosewood [A]	+\$0
99T	recograin teak [A]	+\$0
9A1	white ash, quarter cut, low sheen [A]	+\$0
9K1	rift oak, rift cut, low sheen [A]	+\$0
9K6	burnt oak, rift cut, low sheen [A]	+\$0
G2U	light brown walnut, low sheen [A]	+\$0
G40	dark brown walnut, low sheen [A]	+\$0

Sled Base Credenza Four Units Wide

continued

Premium Veneer - Matte

For single door left, single door left center, BBF right center, BBF right (-B2B2B4B4)

662	toasted walnut, matte sheen [A]	+\$0
663	charred walnut, matte sheen [A]	+\$0
664	bronzed walnut, matte sheen [A]	+\$0
665	smoked walnut, matte sheen [A]	+\$0
666	coffee walnut, matte sheen [A]	+\$0
667	smoked paldao, quarter cut, matte sheen [A]	+\$1687
669	warm paldao, quarter cut, matte sheen [A]	+\$0
66A	recograin frosty ash [A]	+\$0
677	chocolate ash, matte sheen [A]	+\$0
678	natural oak [A]	+\$0
68R	recograin rosewood [A]	+\$0
69A	recograin frosty ash [A]	+\$0
69R	recograin rosewood [A]	+\$0
69T	recograin teak [A]	+\$0
6A1	white ash [A]	+\$0
6K1	rift oak [A]	+\$0
6K6	burnt oak [A]	+\$0
ET	clear on ash [A]	+\$0
EU	oak on ash [A]	+\$0
EV	walnut on ash [A]	+\$0
GOU	natural walnut, flat cut, matte sheen [A]	+\$0

RecoGrain Veneer

For single door left, single door left center, BBF right center, BBF right (-B2B2B4B4)

68W	recograin walnut, flat cut, matte sheen [A]	-\$563
69K	recograin oak, quarter cut, matte sheen [A]	-\$563
69W	recograin walnut, quarter cut, matte sheen [A]	-\$563

Recon Veneer -

For single door left, single door left center, BBF right center, BBF right (-B2B2B4B4)

98W	recograin walnut, flat cut, low sheen [A]	-\$563
99K	recograin oak, quarter cut, low sheen [A]	-\$563
99W	recograin walnut, quarter cut, low sheen [A]	-\$563

Premium Veneer - Low Sheen

For four BBF (-B4B4B4B4)

931	champagne anigre (natural) [A]	+\$5034
932	sundance anigre [A]	+\$5034
933	caramel anigre [A]	+\$5034
934	henna anigre [A]	+\$5034
941	natural beech [A]	+\$0
942	sundance cherry (natural) [A]	+\$0
943	caramel cherry [A]	+\$0
946	cocoa cherry [A]	+\$0
951	natural anigre [A]	+\$5034
956	cocoa sapele [A]	+\$0
962	toasted walnut, low sheen [A]	+\$0
963	charred walnut, low sheen [A]	+\$0
964	bronzed walnut, low sheen [A]	+\$0
965	smoked walnut, low sheen [A]	+\$0
966	coffee walnut, low sheen [A]	+\$0
967	smoked paldao, low sheen [A]	+\$1888
969	warm paldao, low sheen [A]	+\$1888
977	chocolate ash, low sheen [A]	+\$0
978	natural oak [A]	+\$0
981	champagne hickory (natural) [A]	+\$0
98R	recograin rosewood [A]	+\$0
991	champagne ash [A]	+\$0
998	ebony ash [A]	+\$0
99A	recograin frosty ash [A]	+\$0
99R	recograin rosewood [A]	+\$0
99T	recograin teak [A]	+\$0
9A1	white ash, quarter cut, low sheen [A]	+\$0
9K1	rift oak, rift cut, low sheen [A]	+\$0
9K6	burnt oak, rift cut, low sheen [A]	+\$0
G2U	light brown walnut, low sheen [A]	+\$0
G40	dark brown walnut, low sheen [A]	+\$0

Sled Base Credenza Four Units Wide

continued

HermanMiller Ancillary—Storage

Premium Veneer - Matte

For four BBF (-B4B4B4B4)

662	toasted walnut, matte sheen	A	+\$0
663	charred walnut, matte sheen	A	+\$0
664	bronzed walnut, matte sheen	A	+\$0
665	smoked walnut, matte sheen	A	+\$0
666	coffee walnut, matte sheen	A	+\$0
66A	recograin frosty ash	A	+\$0
677	chocolate ash, matte sheen	A	+\$0
678	natural oak	A	+\$0
68R	recograin rosewood	A	+\$0
69A	recograin frosty ash	A	+\$0
69R	recograin rosewood	A	+\$0
69T	recograin teak	A	+\$0
6A1	white ash	A	+\$0
6K1	rift oak	A	+\$0
6K6	burnt oak	A	+\$0
ET	clear on ash	A	+\$0
EU	oak on ash	A	+\$0
EV	walnut on ash	A	+\$0
GOU	natural walnut, flat cut, matte sheen	A	+\$0

RecoGrain Veneer

For four BBF (-B4B4B4B4)

68W	recograin walnut, flat cut, matte sheen	A	-\$630
69K	recograin oak, quarter cut, matte sheen	A	-\$630
69W	recograin walnut, quarter cut, matte sheen	A	-\$630

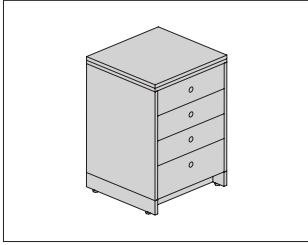
Recon Veneer -

For four BBF (-B4B4B4B4)

98W	recograin walnut, flat cut, low sheen	A	-\$630
99K	recograin oak, quarter cut, low sheen	A	-\$630
99W	recograin walnut, quarter cut, low sheen	A	-\$630

Step 5. Metal Finish

CHR	chrome	A	+\$0
SAC	satin chrome	A	+\$0



Product Information

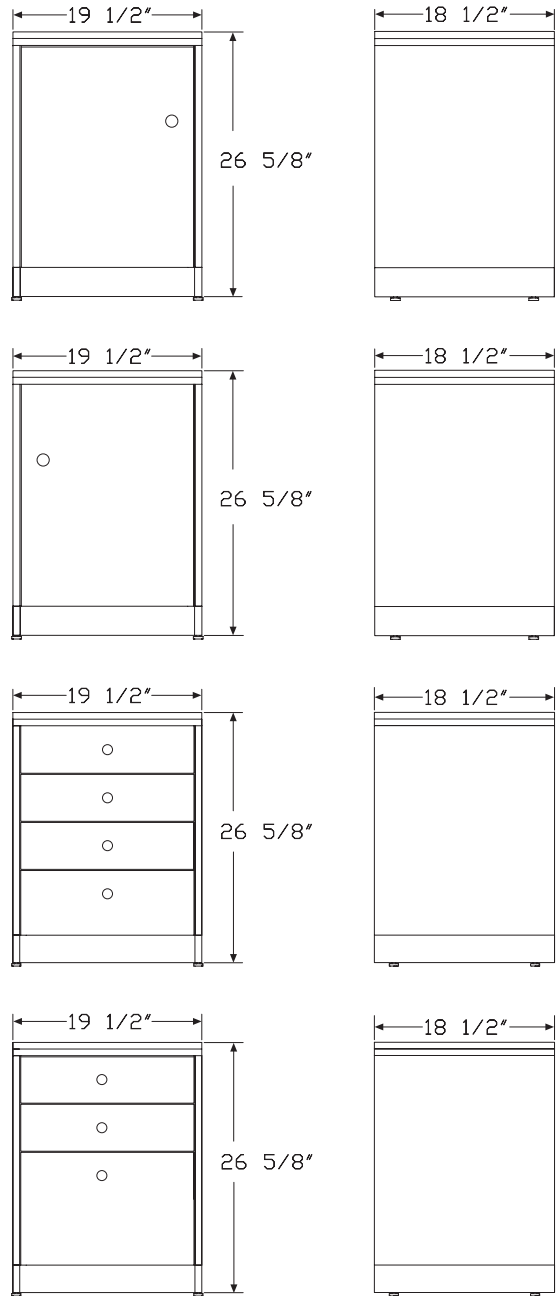
Description

This one-unit wide sled base credenza has a stone top and includes 3"-high metal base on the 3/4"-thick credenza gable. Storage unit is 18"-wide. Ward Bennett Flip pulls come in matching metal finish.

Notes

Sled base credenzas ship assembled.
 Drawer credenzas include wood boxes and self-closing hidden drawer slides.
 Pencil tray and felt lining in bottom of drawer also included.
 Santos palisander veneer is celebrated for its unique grain and color variations. Similar products ordered in multiples or dissimilar products ordered separately should be expected to have variation in both grain and color characteristics; no two products will look exactly alike.

Dimensions



Sled Base Pedestal Stone Top

continued

HermanMiller Ancillary--Storage

Specification Information

Step 1.

JCS1S A

Step 2. Size

-1920 18½" deep x 19½" wide x 26⅝" high A

Step 3. Configuration

-B2L single door, hinged left A

-B2R single door, hinged right A

-B3 four box drawer A

-B4 box, box, file A

Prices for Steps 1-3.

		-B2L	-B2R	-B3	-B4
JCS1S	-1920	\$7206	7206	8933	8275

Step 4. Wood Finish

Premium Veneer - Low Sheen

For single door, hinged left (-B2L) or single door, hinged right (-B2R)

931	champagne anigre (natural) <input type="checkbox"/> A	+\$1814
932	sundance anigre <input type="checkbox"/> A	+\$1814
933	caramel anigre <input type="checkbox"/> A	+\$1814
934	henna anigre <input type="checkbox"/> A	+\$1814
941	natural beech <input type="checkbox"/> A	+\$0
942	sundance cherry (natural) <input type="checkbox"/> A	+\$0
943	caramel cherry <input type="checkbox"/> A	+\$0
946	cocoa cherry <input type="checkbox"/> A	+\$0
951	natural anigre <input type="checkbox"/> A	+\$1814
956	cocoa sapele <input type="checkbox"/> A	+\$0
962	toasted walnut, low sheen <input type="checkbox"/> A	+\$0
963	charred walnut, low sheen <input type="checkbox"/> A	+\$0
964	bronzed walnut, low sheen <input type="checkbox"/> A	+\$0
965	smoked walnut, low sheen <input type="checkbox"/> A	+\$0
966	coffee walnut, low sheen <input type="checkbox"/> A	+\$0
967	smoked paldao, low sheen <input type="checkbox"/> A	+\$681
969	warm paldao, low sheen <input type="checkbox"/> A	+\$681
977	chocolate ash, low sheen <input type="checkbox"/> A	+\$0
978	natural oak <input type="checkbox"/> A	+\$0
981	champagne hickory (natural) <input type="checkbox"/> A	+\$0
98R	recograin rosewood <input type="checkbox"/> A	+\$0
991	champagne ash <input type="checkbox"/> A	+\$0
998	ebony ash <input type="checkbox"/> A	+\$0
99A	recograin frosty ash <input type="checkbox"/> A	+\$0
99R	recograin rosewood <input type="checkbox"/> A	+\$0
99T	recograin teak <input type="checkbox"/> A	+\$0
9A1	white ash, quarter cut, low sheen <input type="checkbox"/> A	+\$0
9K1	rift oak, rift cut, low sheen <input type="checkbox"/> A	+\$0
9K6	burnt oak, rift cut, low sheen <input type="checkbox"/> A	+\$0
G2U	light brown walnut, low sheen <input type="checkbox"/> A	+\$0
G40	dark brown walnut, low sheen <input type="checkbox"/> A	+\$0

Sled Base Pedestal Stone Top

continued

Premium Veneer - Matte

For single door, hinged left (-B2L) or single door, hinged right (-B2R)

662	toasted walnut, matte sheen <input type="checkbox"/>	+\$0
663	charred walnut, matte sheen <input type="checkbox"/>	+\$0
664	bronzed walnut, matte sheen <input type="checkbox"/>	+\$0
665	smoked walnut, matte sheen <input type="checkbox"/>	+\$0
666	coffee walnut, matte sheen <input type="checkbox"/>	+\$0
667	smoked paldao, quarter cut, matte sheen <input type="checkbox"/>	+\$681
669	warm paldao, quarter cut, matte sheen <input type="checkbox"/>	+\$681
66A	recograin frosty ash <input type="checkbox"/>	+\$0
677	chocolate ash, matte sheen <input type="checkbox"/>	+\$0
678	natural oak <input type="checkbox"/>	+\$0
68R	recograin rosewood <input type="checkbox"/>	+\$0
69A	recograin frosty ash <input type="checkbox"/>	+\$0
69R	recograin rosewood <input type="checkbox"/>	+\$0
69T	recograin teak <input type="checkbox"/>	+\$0
6A1	white ash <input type="checkbox"/>	+\$0
6K1	rift oak <input type="checkbox"/>	+\$0
6K6	burnt oak <input type="checkbox"/>	+\$0
ET	clear on ash <input type="checkbox"/>	+\$0
EU	oak on ash <input type="checkbox"/>	+\$0
EV	walnut on ash <input type="checkbox"/>	+\$0
GOU	natural walnut, flat cut, matte sheen <input type="checkbox"/>	+\$0

RecoGrain Veneer

For single door, hinged left (-B2L) or single door, hinged right (-B2R)

68W	recograin walnut, flat cut, matte sheen <input type="checkbox"/>	-\$227
69K	recograin oak, quarter cut, matte sheen <input type="checkbox"/>	-\$227
69W	recograin walnut, quarter cut, matte sheen <input type="checkbox"/>	-\$227

Recon Veneer -

For single door, hinged left (-B2L) or single door, hinged right (-B2R)

98W	recograin walnut, flat cut, low sheen <input type="checkbox"/>	-\$227
99K	recograin oak, quarter cut, low sheen <input type="checkbox"/>	-\$227
99W	recograin walnut, quarter cut, low sheen <input type="checkbox"/>	-\$227

Premium Veneer - Low Sheen

For four box drawer (-B3)

931	champagne anigre (natural) <input type="checkbox"/>	+\$2249
932	sundance anigre <input type="checkbox"/>	+\$2249
933	caramel anigre <input type="checkbox"/>	+\$2249
934	henna anigre <input type="checkbox"/>	+\$2249
941	natural beech <input type="checkbox"/>	+\$0
942	sundance cherry (natural) <input type="checkbox"/>	+\$0
943	caramel cherry <input type="checkbox"/>	+\$0
946	cocoa cherry <input type="checkbox"/>	+\$0
951	natural anigre <input type="checkbox"/>	+\$2249
956	cocoa sapele <input type="checkbox"/>	+\$0
962	toasted walnut, low sheen <input type="checkbox"/>	+\$0
963	charred walnut, low sheen <input type="checkbox"/>	+\$0
964	bronzed walnut, low sheen <input type="checkbox"/>	+\$0
965	smoked walnut, low sheen <input type="checkbox"/>	+\$0
966	coffee walnut, low sheen <input type="checkbox"/>	+\$0
967	smoked paldao, low sheen <input type="checkbox"/>	+\$844
969	warm paldao, low sheen <input type="checkbox"/>	+\$844
977	chocolate ash, low sheen <input type="checkbox"/>	+\$0
978	natural oak <input type="checkbox"/>	+\$0
981	champagne hickory (natural) <input type="checkbox"/>	+\$0
98R	recograin rosewood <input type="checkbox"/>	+\$0
991	champagne ash <input type="checkbox"/>	+\$0
998	ebony ash <input type="checkbox"/>	+\$0
99A	recograin frosty ash <input type="checkbox"/>	+\$0
99R	recograin rosewood <input type="checkbox"/>	+\$0
99T	recograin teak <input type="checkbox"/>	+\$0
9A1	white ash, quarter cut, low sheen <input type="checkbox"/>	+\$0
9K1	rift oak, rift cut, low sheen <input type="checkbox"/>	+\$0
9K6	burnt oak, rift cut, low sheen <input type="checkbox"/>	+\$0
G2U	light brown walnut, low sheen <input type="checkbox"/>	+\$0
G40	dark brown walnut, low sheen <input type="checkbox"/>	+\$0

Sled Base Pedestal Stone Top

continued

HermanMiller Ancillary-Storage

Premium Veneer - Matte

For four box drawer (-B3)

662	toasted walnut, matte sheen <input type="checkbox"/>	+\$0
663	charred walnut, matte sheen <input type="checkbox"/>	+\$0
664	bronzed walnut, matte sheen <input type="checkbox"/>	+\$0
665	smoked walnut, matte sheen <input type="checkbox"/>	+\$0
666	coffee walnut, matte sheen <input type="checkbox"/>	+\$0
667	smoked paldao, quarter cut, matte sheen <input type="checkbox"/>	+\$844
669	warm paldao, quarter cut, matte sheen <input type="checkbox"/>	+\$844
66A	recograin frosty ash <input type="checkbox"/>	+\$0
677	chocolate ash, matte sheen <input type="checkbox"/>	+\$0
678	natural oak <input type="checkbox"/>	+\$0
68R	recograin rosewood <input type="checkbox"/>	+\$0
69A	recograin frosty ash <input type="checkbox"/>	+\$0
69R	recograin rosewood <input type="checkbox"/>	+\$0
69T	recograin teak <input type="checkbox"/>	+\$0
6A1	white ash <input type="checkbox"/>	+\$0
6K1	rift oak <input type="checkbox"/>	+\$0
6K6	burnt oak <input type="checkbox"/>	+\$0
ET	clear on ash <input type="checkbox"/>	+\$0
EU	oak on ash <input type="checkbox"/>	+\$0
EV	walnut on ash <input type="checkbox"/>	+\$0
GOU	natural walnut, flat cut, matte sheen <input type="checkbox"/>	+\$0

RecoGrain Veneer

For four box drawer (-B3)

68W	recograin walnut, flat cut, matte sheen <input type="checkbox"/>	-\$282
69K	recograin oak, quarter cut, matte sheen <input type="checkbox"/>	-\$282
69W	recograin walnut, quarter cut, matte sheen <input type="checkbox"/>	-\$282

Recon Veneer -

For four box drawer (-B3)

98W	recograin walnut, flat cut, low sheen <input type="checkbox"/>	-\$181
99K	recograin oak, quarter cut, low sheen <input type="checkbox"/>	-\$181
99W	recograin walnut, quarter cut, low sheen <input type="checkbox"/>	-\$181

Premium Veneer - Low Sheen

For box, box, file (-B4)

931	champagne anigre (natural) <input type="checkbox"/>	+\$2083
932	sundance anigre <input type="checkbox"/>	+\$2083
933	caramel anigre <input type="checkbox"/>	+\$2083
934	henna anigre <input type="checkbox"/>	+\$2083
941	natural beech <input type="checkbox"/>	+\$0
942	sundance cherry (natural) <input type="checkbox"/>	+\$0
943	caramel cherry <input type="checkbox"/>	+\$0
946	cocoa cherry <input type="checkbox"/>	+\$0
951	natural anigre <input type="checkbox"/>	+\$2083
956	cocoa sapele <input type="checkbox"/>	+\$0
962	toasted walnut, low sheen <input type="checkbox"/>	+\$0
963	charred walnut, low sheen <input type="checkbox"/>	+\$0
964	bronzed walnut, low sheen <input type="checkbox"/>	+\$0
965	smoked walnut, low sheen <input type="checkbox"/>	+\$0
966	coffee walnut, low sheen <input type="checkbox"/>	+\$0
967	smoked paldao, low sheen <input type="checkbox"/>	+\$781
969	warm paldao, low sheen <input type="checkbox"/>	+\$781
977	chocolate ash, low sheen <input type="checkbox"/>	+\$0
978	natural oak <input type="checkbox"/>	+\$0
981	champagne hickory (natural) <input type="checkbox"/>	+\$0
98R	recograin rosewood <input type="checkbox"/>	+\$0
991	champagne ash <input type="checkbox"/>	+\$0
998	ebony ash <input type="checkbox"/>	+\$0
99A	recograin frosty ash <input type="checkbox"/>	+\$0
99R	recograin rosewood <input type="checkbox"/>	+\$0
99T	recograin teak <input type="checkbox"/>	+\$0
9A1	white ash, quarter cut, low sheen <input type="checkbox"/>	+\$0
9K1	rift oak, rift cut, low sheen <input type="checkbox"/>	+\$0
9K6	burnt oak, rift cut, low sheen <input type="checkbox"/>	+\$0
G2U	light brown walnut, low sheen <input type="checkbox"/>	+\$0
G40	dark brown walnut, low sheen <input type="checkbox"/>	+\$0

Sled Base Pedestal Stone Top

continued

Premium Veneer - Matte

For box, box, file (-B4)

662	toasted walnut, matte sheen <input type="checkbox"/>	+\$0
663	charred walnut, matte sheen <input type="checkbox"/>	+\$0
664	bronzed walnut, matte sheen <input type="checkbox"/>	+\$0
665	smoked walnut, matte sheen <input type="checkbox"/>	+\$0
666	coffee walnut, matte sheen <input type="checkbox"/>	+\$0
667	smoked paldao, quarter cut, matte sheen <input type="checkbox"/>	+\$781
669	warm paldao, quarter cut, matte sheen <input type="checkbox"/>	+\$781
66A	recoGrain frosty ash <input type="checkbox"/>	+\$0
677	chocolate ash, matte sheen <input type="checkbox"/>	+\$0
678	natural oak <input type="checkbox"/>	+\$0
68R	recoGrain rosewood <input type="checkbox"/>	+\$0
69A	recoGrain frosty ash <input type="checkbox"/>	+\$0
69R	recoGrain rosewood <input type="checkbox"/>	+\$0
69T	recoGrain teak <input type="checkbox"/>	+\$0
6A1	white ash <input type="checkbox"/>	+\$0
6K1	rift oak <input type="checkbox"/>	+\$0
6K6	burnt oak <input type="checkbox"/>	+\$0
ET	clear on ash <input type="checkbox"/>	+\$0
EU	oak on ash <input type="checkbox"/>	+\$0
EV	walnut on ash <input type="checkbox"/>	+\$0
GOU	natural walnut, flat cut, matte sheen <input type="checkbox"/>	+\$0

RecoGrain Veneer

For box, box, file (-B4)

68W	recoGrain walnut, flat cut, matte sheen <input type="checkbox"/>	-\$261
69K	recoGrain oak, quarter cut, matte sheen <input type="checkbox"/>	-\$261
69W	recoGrain walnut, quarter cut, matte sheen <input type="checkbox"/>	-\$261

Recon Veneer -

For box, box, file (-B4)

98W	recoGrain walnut, flat cut, low sheen <input type="checkbox"/>	-\$261
99K	recoGrain oak, quarter cut, low sheen <input type="checkbox"/>	-\$261
99W	recoGrain walnut, quarter cut, low sheen <input type="checkbox"/>	-\$261

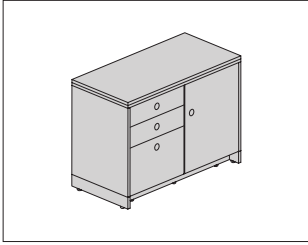
Step 5. Stone or Marble Top

200	perfato marble <input type="checkbox"/>	+\$0
250	verde antique marble <input type="checkbox"/>	+\$0
400	black granite <input type="checkbox"/>	+\$0
5U	georgia grey marble <input type="checkbox"/>	+\$0
800	autumn brown granite <input type="checkbox"/>	+\$0
960	white carrara marble <input type="checkbox"/>	+\$0

Step 6. Metal Finish

CHR	chrome <input type="checkbox"/>	+\$0
SAC	satin chrome <input type="checkbox"/>	+\$0

Sled Base Credenza Two Units Wide and Stone Top JCS2S



HermanMiller Ancillary—Storage

Product Information

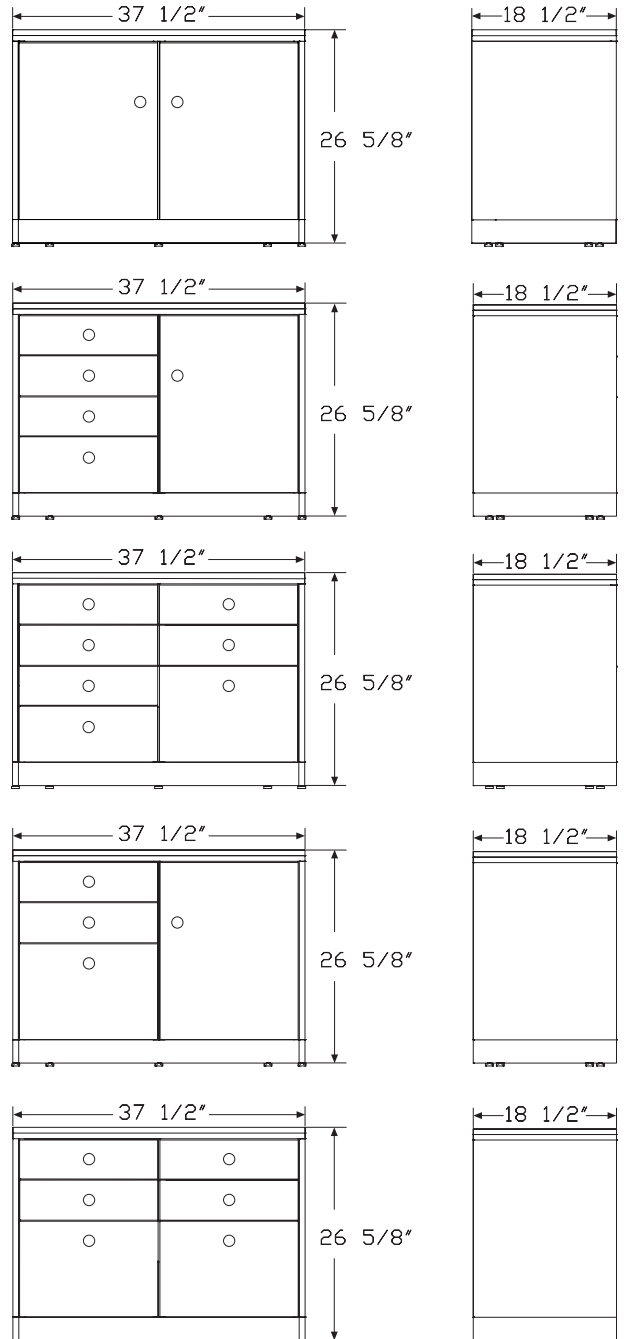
Description

This two-unit wide sled base credenza has a stone top and includes 3" high metal base on the 3/4" thick credenza gable. Storage unit is 18" wide. Ward Bennett Flip pulls come in matching metal finish.

Notes

- Sled base credenzas ship assembled.
- Drawer credenzas include wood boxes and self-closing hidden drawer slides.
- Pencil tray and felt lining in bottom of drawer also included.
- Santos palisander veneer is celebrated for its unique grain and color variations. Similar products ordered in multiples or dissimilar products ordered separately should be expected to have variation in both grain and color characteristics; no two products will look exactly alike.

Dimensions



Sled Base Credenza Two Units Wide and Stone Top *continued*

Specification Information

Step 1.

JCS2S

Step 2. Size

-1938 18½" deep x 37½" wide x 26⅝" high

Step 3. Configuration

-B2B2 two doors

-B3B2 four drawers left, single door right

-B3B4 four drawers left, BBF right

-B4B2 BBF left, single door right

-B4B4 BBF left, BBF right

Prices for Steps 1-3.

	-B2B2	-B3B2	-B3B4	-B4B2	-B4B4
JCS2S -1938	\$12211	13938	15006	13277	14351

Step 4. Wood Finish

Premium Veneer - Low Sheen

For two doors (-B2B2)

931	champagne anigre (natural) <input type="checkbox"/>	+\$3075
932	sundance anigre <input type="checkbox"/>	+\$3075
933	caramel anigre <input type="checkbox"/>	+\$3075
934	henna anigre <input type="checkbox"/>	+\$3075
941	natural beech <input type="checkbox"/>	+\$0
942	sundance cherry (natural) <input type="checkbox"/>	+\$0
943	caramel cherry <input type="checkbox"/>	+\$0
946	cocoa cherry <input type="checkbox"/>	+\$0
951	natural anigre <input type="checkbox"/>	+\$3075
956	cocoa sapele <input type="checkbox"/>	+\$0
962	toasted walnut, low sheen <input type="checkbox"/>	+\$0
963	charred walnut, low sheen <input type="checkbox"/>	+\$0
964	bronzed walnut, low sheen <input type="checkbox"/>	+\$0
965	smoked walnut, low sheen <input type="checkbox"/>	+\$0
966	coffee walnut, low sheen <input type="checkbox"/>	+\$0
967	smoked paldao, low sheen <input type="checkbox"/>	+\$1153
969	warm paldao, low sheen <input type="checkbox"/>	+\$1153
977	chocolate ash, low sheen <input type="checkbox"/>	+\$0
978	natural oak <input type="checkbox"/>	+\$0
981	champagne hickory (natural) <input type="checkbox"/>	+\$0
98R	recograin rosewood <input type="checkbox"/>	+\$0
991	champagne ash <input type="checkbox"/>	+\$0
998	ebony ash <input type="checkbox"/>	+\$0
99A	recograin frosty ash <input type="checkbox"/>	+\$0
99R	recograin rosewood <input type="checkbox"/>	+\$0
99T	recograin teak <input type="checkbox"/>	+\$0
9A1	white ash, quarter cut, low sheen <input type="checkbox"/>	+\$0
9K1	rift oak, rift cut, low sheen <input type="checkbox"/>	+\$0
9K6	burnt oak, rift cut, low sheen <input type="checkbox"/>	+\$0
G2U	light brown walnut, low sheen <input type="checkbox"/>	+\$0
G40	dark brown walnut, low sheen <input type="checkbox"/>	+\$0

Sled Base Credenza Two Units Wide
and Stone Top *continued*

HermanMiller Ancillary—Storage

Premium Veneer - Matte

For two doors (-B2B2)

662	toasted walnut, matte sheen [A]	+\$0
663	charred walnut, matte sheen [A]	+\$0
664	bronzed walnut, matte sheen [A]	+\$0
665	smoked walnut, matte sheen [A]	+\$0
666	coffee walnut, matte sheen [A]	+\$0
667	smoked paldao, quarter cut, matte sheen [A]	+\$1153
669	warm paldao, quarter cut, matte sheen [A]	+\$1153
66A	recograin frosty ash [A]	+\$0
677	chocolate ash, matte sheen [A]	+\$0
678	natural oak [A]	+\$0
68R	recograin rosewood [A]	+\$0
69A	recograin frosty ash [A]	+\$0
69R	recograin rosewood [A]	+\$0
69T	recograin teak [A]	+\$0
6A1	white ash [A]	+\$0
6K1	rift oak [A]	+\$0
6K6	burnt oak [A]	+\$0
ET	clear on ash [A]	+\$0
EU	oak on ash [A]	+\$0
EV	walnut on ash [A]	+\$0
GOU	natural walnut, flat cut, matte sheen [A]	+\$0

RecoGrain Veneer

For two doors (-B2B2)

68W	recograin walnut, flat cut, matte sheen [A]	-\$385
69K	recograin oak, quarter cut, matte sheen [A]	-\$385
69W	recograin walnut, quarter cut, matte sheen [A]	-\$385

Recon Veneer -

For two doors (-B2B2)

98W	recograin walnut, flat cut, low sheen [A]	-\$385
99K	recograin oak, quarter cut, low sheen [A]	-\$385
99W	recograin walnut, quarter cut, low sheen [A]	-\$385

Premium Veneer - Low Sheen

For four drawers left, single door right (-B3B2)

931	champagne anigre (natural) [A]	+\$3510
932	sundance anigre [A]	+\$3510
933	caramel anigre [A]	+\$3510
934	henna anigre [A]	+\$3510
941	natural beech [A]	+\$0
942	sundance cherry (natural) [A]	+\$0
943	caramel cherry [A]	+\$0
946	cocoa cherry [A]	+\$0
951	natural anigre [A]	+\$3510
956	cocoa sapele [A]	+\$0
962	toasted walnut, low sheen [A]	+\$0
963	charred walnut, low sheen [A]	+\$0
964	bronzed walnut, low sheen [A]	+\$0
965	smoked walnut, low sheen [A]	+\$0
966	coffee walnut, low sheen [A]	+\$0
967	smoked paldao, low sheen [A]	+\$1316
969	warm paldao, low sheen [A]	+\$1316
977	chocolate ash, low sheen [A]	+\$0
978	natural oak [A]	+\$0
981	champagne hickory (natural) [A]	+\$0
98R	recograin rosewood [A]	+\$0
991	champagne ash [A]	+\$0
998	ebony ash [A]	+\$0
99A	recograin frosty ash [A]	+\$0
99R	recograin rosewood [A]	+\$0
99T	recograin teak [A]	+\$0
9A1	white ash, quarter cut, low sheen [A]	+\$0
9K1	rift oak, rift cut, low sheen [A]	+\$0
9K6	burnt oak, rift cut, low sheen [A]	+\$0
G2U	light brown walnut, low sheen [A]	+\$0
G40	dark brown walnut, low sheen [A]	+\$0

Sled Base Credenza Two Units Wide
and Stone Top *continued*

Premium Veneer - Matte

For four drawers left, single door right (-B3B2)

662	toasted walnut, matte sheen <input type="checkbox"/>	+\$0
663	charred walnut, matte sheen <input type="checkbox"/>	+\$0
664	bronzed walnut, matte sheen <input type="checkbox"/>	+\$0
665	smoked walnut, matte sheen <input type="checkbox"/>	+\$0
666	coffee walnut, matte sheen <input type="checkbox"/>	+\$0
667	smoked paldao, quarter cut, matte sheen <input type="checkbox"/>	+\$1316
669	warm paldao, quarter cut, matte sheen <input type="checkbox"/>	+\$1316
66A	recograin frosty ash <input type="checkbox"/>	+\$0
677	chocolate ash, matte sheen <input type="checkbox"/>	+\$0
678	natural oak <input type="checkbox"/>	+\$0
68R	recograin rosewood <input type="checkbox"/>	+\$0
69A	recograin frosty ash <input type="checkbox"/>	+\$0
69R	recograin rosewood <input type="checkbox"/>	+\$0
69T	recograin teak <input type="checkbox"/>	+\$0
6A1	white ash <input type="checkbox"/>	+\$0
6K1	rift oak <input type="checkbox"/>	+\$0
6K6	burnt oak <input type="checkbox"/>	+\$0
ET	clear on ash <input type="checkbox"/>	+\$0
EU	oak on ash <input type="checkbox"/>	+\$0
EV	walnut on ash <input type="checkbox"/>	+\$0
GOU	natural walnut, flat cut, matte sheen <input type="checkbox"/>	+\$0

RecoGrain Veneer

For four drawers left, single door right (-B3B2)

68W	recograin walnut, flat cut, matte sheen <input type="checkbox"/>	-\$439
69K	recograin oak, quarter cut, matte sheen <input type="checkbox"/>	-\$439
69W	recograin walnut, quarter cut, matte sheen <input type="checkbox"/>	-\$439

Recon Veneer -

For four drawers left, single door right (-B3B2)

98W	recograin walnut, flat cut, low sheen <input type="checkbox"/>	-\$439
99K	recograin oak, quarter cut, low sheen <input type="checkbox"/>	-\$439
99W	recograin walnut, quarter cut, low sheen <input type="checkbox"/>	-\$439

Premium Veneer - Low Sheen

For four drawers left, BBF right (-B3B4)

931	champagne anigre (natural) <input type="checkbox"/>	+\$3778
932	sundance anigre <input type="checkbox"/>	+\$3778
933	caramel anigre <input type="checkbox"/>	+\$3778
934	henna anigre <input type="checkbox"/>	+\$3778
941	natural beech <input type="checkbox"/>	+\$0
942	sundance cherry (natural) <input type="checkbox"/>	+\$0
943	caramel cherry <input type="checkbox"/>	+\$0
946	cocoa cherry <input type="checkbox"/>	+\$0
951	natural anigre <input type="checkbox"/>	+\$3778
956	cocoa sapele <input type="checkbox"/>	+\$0
962	toasted walnut, low sheen <input type="checkbox"/>	+\$0
963	charred walnut, low sheen <input type="checkbox"/>	+\$0
964	bronzed walnut, low sheen <input type="checkbox"/>	+\$0
965	smoked walnut, low sheen <input type="checkbox"/>	+\$0
966	coffee walnut, low sheen <input type="checkbox"/>	+\$0
967	smoked paldao, low sheen <input type="checkbox"/>	+\$1417
969	warm paldao, low sheen <input type="checkbox"/>	+\$1417
977	chocolate ash, low sheen <input type="checkbox"/>	+\$0
978	natural oak <input type="checkbox"/>	+\$0
981	champagne hickory (natural) <input type="checkbox"/>	+\$0
98R	recograin rosewood <input type="checkbox"/>	+\$0
991	champagne ash <input type="checkbox"/>	+\$0
998	ebony ash <input type="checkbox"/>	+\$0
99A	recograin frosty ash <input type="checkbox"/>	+\$0
99R	recograin rosewood <input type="checkbox"/>	+\$0
99T	recograin teak <input type="checkbox"/>	+\$0
9A1	white ash, quarter cut, low sheen <input type="checkbox"/>	+\$0
9K1	rift oak, rift cut, low sheen <input type="checkbox"/>	+\$0
9K6	burnt oak, rift cut, low sheen <input type="checkbox"/>	+\$0
G2U	light brown walnut, low sheen <input type="checkbox"/>	+\$0
G40	dark brown walnut, low sheen <input type="checkbox"/>	+\$0

Sled Base Credenza Two Units Wide
and Stone Top *continued*

HermanMiller Ancillary—Storage

Premium Veneer - Matte

For four drawers left, BBF right (-B3B4)

662	toasted walnut, matte sheen <input type="checkbox"/>	+\$0
663	charred walnut, matte sheen <input type="checkbox"/>	+\$0
664	bronzed walnut, matte sheen <input type="checkbox"/>	+\$0
665	smoked walnut, matte sheen <input type="checkbox"/>	+\$0
666	coffee walnut, matte sheen <input type="checkbox"/>	+\$0
667	smoked paldao, quarter cut, matte sheen <input type="checkbox"/>	+\$1417
669	warm paldao, quarter cut, matte sheen <input type="checkbox"/>	+\$1417
66A	recograin frosty ash <input type="checkbox"/>	+\$0
677	chocolate ash, matte sheen <input type="checkbox"/>	+\$0
678	natural oak <input type="checkbox"/>	+\$0
68R	recograin rosewood <input type="checkbox"/>	+\$0
69A	recograin frosty ash <input type="checkbox"/>	+\$0
69R	recograin rosewood <input type="checkbox"/>	+\$0
69T	recograin teak <input type="checkbox"/>	+\$0
6A1	white ash <input type="checkbox"/>	+\$0
6K1	rift oak <input type="checkbox"/>	+\$0
6K6	burnt oak <input type="checkbox"/>	+\$0
ET	clear on ash <input type="checkbox"/>	+\$0
EU	oak on ash <input type="checkbox"/>	+\$0
EV	walnut on ash <input type="checkbox"/>	+\$0
GOU	natural walnut, flat cut, matte sheen <input type="checkbox"/>	+\$0

RecoGrain Veneer

For four drawers left, BBF right (-B3B4)

68W	recograin walnut, flat cut, matte sheen <input type="checkbox"/>	-\$473
69K	recograin oak, quarter cut, matte sheen <input type="checkbox"/>	-\$473
69W	recograin walnut, quarter cut, matte sheen <input type="checkbox"/>	-\$473

Recon Veneer -

For four drawers left, BBF right (-B3B4)

98W	recograin walnut, flat cut, low sheen <input type="checkbox"/>	-\$473
99K	recograin oak, quarter cut, low sheen <input type="checkbox"/>	-\$473
99W	recograin walnut, quarter cut, low sheen <input type="checkbox"/>	-\$473

Premium Veneer - Low Sheen

For BBF left, single door right (-B4B2)

931	champagne anigre (natural) <input type="checkbox"/>	+\$3343
932	sundance anigre <input type="checkbox"/>	+\$3343
933	caramel anigre <input type="checkbox"/>	+\$3343
934	henna anigre <input type="checkbox"/>	+\$3343
941	natural beech <input type="checkbox"/>	+\$0
942	sundance cherry (natural) <input type="checkbox"/>	+\$0
943	caramel cherry <input type="checkbox"/>	+\$0
946	cocoa cherry <input type="checkbox"/>	+\$0
951	natural anigre <input type="checkbox"/>	+\$3343
956	cocoa sapele <input type="checkbox"/>	+\$0
962	toasted walnut, low sheen <input type="checkbox"/>	+\$0
963	charred walnut, low sheen <input type="checkbox"/>	+\$0
964	bronzed walnut, low sheen <input type="checkbox"/>	+\$0
965	smoked walnut, low sheen <input type="checkbox"/>	+\$0
966	coffee walnut, low sheen <input type="checkbox"/>	+\$0
967	smoked paldao, low sheen <input type="checkbox"/>	+\$1254
969	warm paldao, low sheen <input type="checkbox"/>	+\$1254
977	chocolate ash, low sheen <input type="checkbox"/>	+\$0
978	natural oak <input type="checkbox"/>	+\$0
981	champagne hickory (natural) <input type="checkbox"/>	+\$0
98R	recograin rosewood <input type="checkbox"/>	+\$0
991	champagne ash <input type="checkbox"/>	+\$0
998	ebony ash <input type="checkbox"/>	+\$0
99A	recograin frosty ash <input type="checkbox"/>	+\$0
99R	recograin rosewood <input type="checkbox"/>	+\$0
99T	recograin teak <input type="checkbox"/>	+\$0
9A1	white ash, quarter cut, low sheen <input type="checkbox"/>	+\$0
9K1	rift oak, rift cut, low sheen <input type="checkbox"/>	+\$0
9K6	burnt oak, rift cut, low sheen <input type="checkbox"/>	+\$0
G2U	light brown walnut, low sheen <input type="checkbox"/>	+\$0
G40	dark brown walnut, low sheen <input type="checkbox"/>	+\$0

Sled Base Credenza Two Units Wide and Stone Top *continued*

Premium Veneer - Matte

For BBF left, single door right (-B4B2)

662	toasted walnut, matte sheen [A]	+\$0
663	charred walnut, matte sheen [A]	+\$0
664	bronzed walnut, matte sheen [A]	+\$0
665	smoked walnut, matte sheen [A]	+\$0
666	coffee walnut, matte sheen [A]	+\$0
667	smoked paldao, quarter cut, matte sheen [A]	+\$1254
669	warm paldao, quarter cut, matte sheen [A]	+\$1254
66A	recograin frosty ash [A]	+\$0
677	chocolate ash, matte sheen [A]	+\$0
678	natural oak [A]	+\$0
68R	recograin rosewood [A]	+\$0
69A	recograin frosty ash [A]	+\$0
69R	recograin rosewood [A]	+\$0
69T	recograin teak [A]	+\$0
6A1	white ash [A]	+\$0
6K1	rift oak [A]	+\$0
6K6	burnt oak [A]	+\$0
ET	clear on ash [A]	+\$0
EU	oak on ash [A]	+\$0
EV	walnut on ash [A]	+\$0
GOU	natural walnut, flat cut, matte sheen [A]	+\$0

RecoGrain Veneer

For BBF left, single door right (-B4B2)

68W	recograin walnut, flat cut, matte sheen [A]	-\$418
69K	recograin oak, quarter cut, matte sheen [A]	-\$418
69W	recograin walnut, quarter cut, matte sheen [A]	-\$418

Recon Veneer -

For BBF left, single door right (-B4B2)

98W	recograin walnut, flat cut, low sheen [A]	-\$418
99K	recograin oak, quarter cut, low sheen [A]	-\$418
99W	recograin walnut, quarter cut, low sheen [A]	-\$418

Premium Veneer - Low Sheen

For BBF left, BBF right (-B4B4)

931	champagne anigre (natural) [A]	+\$3614
932	sundance anigre [A]	+\$3614
933	caramel anigre [A]	+\$3614
934	henna anigre [A]	+\$3614
941	natural beech [A]	+\$0
942	sundance cherry (natural) [A]	+\$0
943	caramel cherry [A]	+\$0
946	cocoa cherry [A]	+\$0
951	natural anigre [A]	+\$3614
956	cocoa sapele [A]	+\$0
962	toasted walnut, low sheen [A]	+\$0
963	charred walnut, low sheen [A]	+\$0
964	bronzed walnut, low sheen [A]	+\$0
965	smoked walnut, low sheen [A]	+\$0
966	coffee walnut, low sheen [A]	+\$0
967	smoked paldao, low sheen [A]	+\$1355
969	warm paldao, low sheen [A]	+\$1355
977	chocolate ash, low sheen [A]	+\$0
978	natural oak [A]	+\$0
981	champagne hickory (natural) [A]	+\$0
98R	recograin rosewood [A]	+\$0
991	champagne ash [A]	+\$0
998	ebony ash [A]	+\$0
99A	recograin frosty ash [A]	+\$0
99R	recograin rosewood [A]	+\$0
99T	recograin teak [A]	+\$0
9A1	white ash, quarter cut, low sheen [A]	+\$0
9K1	rift oak, rift cut, low sheen [A]	+\$0
9K6	burnt oak, rift cut, low sheen [A]	+\$0
G2U	light brown walnut, low sheen [A]	+\$0
G40	dark brown walnut, low sheen [A]	+\$0

Sled Base Credenza Two Units Wide and Stone Top *continued*

Premium Veneer - Matte

For BBF left, BBF right (-B4B4)

662	toasted walnut, matte sheen	A	+\$0
663	charred walnut, matte sheen	A	+\$0
664	bronzed walnut, matte sheen	A	+\$0
665	smoked walnut, matte sheen	A	+\$0
666	coffee walnut, matte sheen	A	+\$0
667	smoked paldao, quarter cut, matte sheen	A	+\$1355
669	warm paldao, quarter cut, matte sheen	A	+\$1355
66A	recograin frosty ash	A	+\$0
677	chocolate ash, matte sheen	A	+\$0
678	natural oak	A	+\$0
68R	recograin rosewood	A	+\$0
69A	recograin frosty ash	A	+\$0
69R	recograin rosewood	A	+\$0
69T	recograin teak	A	+\$0
6A1	white ash	A	+\$0
6K1	rift oak	A	+\$0
6K6	burnt oak	A	+\$0
ET	clear on ash	A	+\$0
EU	oak on ash	A	+\$0
EV	walnut on ash	A	+\$0
GOU	natural walnut, flat cut, matte sheen	A	+\$0

RecoGrain Veneer

For BBF left, BBF right (-B4B4)

68W	recograin walnut, flat cut, matte sheen	A	-\$452
69K	recograin oak, quarter cut, matte sheen	A	-\$452
69W	recograin walnut, quarter cut, matte sheen	A	-\$452

Recon Veneer -

For BBF left, BBF right (-B4B4)

98W	recograin walnut, flat cut, low sheen	A	-\$452
99K	recograin oak, quarter cut, low sheen	A	-\$452
99W	recograin walnut, quarter cut, low sheen	A	-\$452

Step 5. Stone or Marble Top

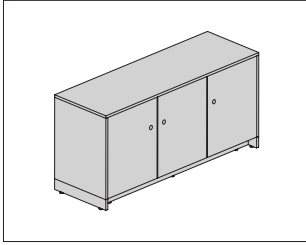
200	perfato marble	A	+\$0
250	verde antique marble	A	+\$0
400	black granite	A	+\$0
5U	georgia grey marble	A	+\$0
800	autumn brown granite	A	+\$0
960	white carrara marble	A	+\$0

Step 6. Metal Finish

CHR	chrome	A	+\$0
SAC	satin chrome	A	+\$0

Sled Base Credenza Three Units
Wide and Stone Top

JCS3S



Product Information

Description

This three-unit wide sled base credenza has a stone top and includes 3"-high metal base on the 3/4"-thick credenza gable. Storage unit is 18"-wide. Ward Bennett Flip pulls come in matching metal finish.

Notes

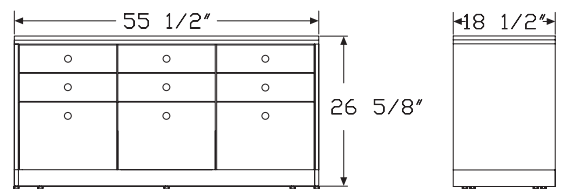
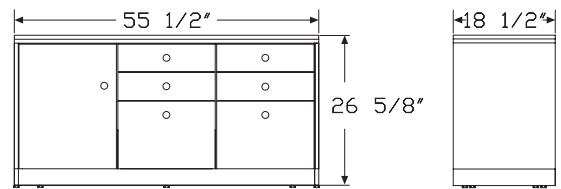
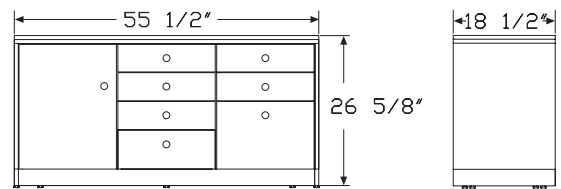
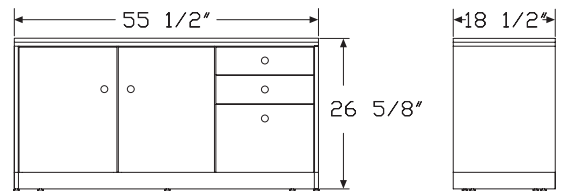
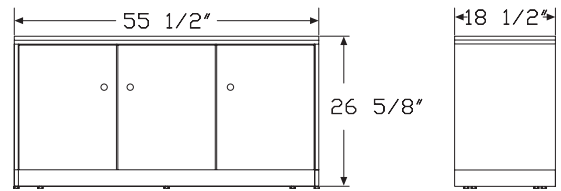
Sled base credenzas ship assembled.

Drawer credenzas include wood boxes and self-closing hidden drawer slides.

Pencil tray and felt lining in bottom of drawer also included.

Santos palisander veneer is celebrated for its unique grain and color variations. Similar products ordered in multiples or dissimilar products ordered separately should be expected to have variation in both grain and color characteristics; no two products will look exactly alike.

Dimensions



HermanMiller Ancillary Storage

Sled Base Credenza Three Units Wide and Stone Top *continued*

Specification Information

Step 1.

JCS3S

Step 2. Size

-1956 18½" deep x 55½" wide x 26⅝" high

Step 3. Configuration

-B2B2B2 three single doors

-B2B2B4 single door left, single door center, BBF right

-B2B3B4 single door left, 4 box center, BBF right

-B2B4B4 single door left, BBF center, BBF right

-B4B4B4 BBF left, BBF center, BBF right

Prices for Steps 1-3.

	-B2B2B2	-B2B2B4	-B2B3B4	-B2B4B4	-B4B4B4
JCS3S -1956	\$16474	17539	19264	18606	19669

Step 4. Wood Finish

Premium Veneer - Low Sheen

For three single doors (-B2B2B2)

931	champagne anigre (natural) <input type="checkbox"/>	+\$4148
932	sundance anigre <input type="checkbox"/>	+\$4148
933	caramel anigre <input type="checkbox"/>	+\$4148
934	henna anigre <input type="checkbox"/>	+\$4148
941	natural beech <input type="checkbox"/>	+\$0
942	sundance cherry (natural) <input type="checkbox"/>	+\$0
943	caramel cherry <input type="checkbox"/>	+\$0
946	cocoa cherry <input type="checkbox"/>	+\$0
951	natural anigre <input type="checkbox"/>	+\$4148
956	cocoa sapele <input type="checkbox"/>	+\$0
962	toasted walnut, low sheen <input type="checkbox"/>	+\$0
963	charred walnut, low sheen <input type="checkbox"/>	+\$0
964	bronzed walnut, low sheen <input type="checkbox"/>	+\$0
965	smoked walnut, low sheen <input type="checkbox"/>	+\$0
966	coffee walnut, low sheen <input type="checkbox"/>	+\$0
967	smoked paldao, low sheen <input type="checkbox"/>	+\$1556
969	warm paldao, low sheen <input type="checkbox"/>	+\$1556
977	chocolate ash, low sheen <input type="checkbox"/>	+\$0
978	natural oak <input type="checkbox"/>	+\$0
981	champagne hickory (natural) <input type="checkbox"/>	+\$0
98R	recograin rosewood <input type="checkbox"/>	+\$0
991	champagne ash <input type="checkbox"/>	+\$0
998	ebony ash <input type="checkbox"/>	+\$0
99A	recograin frosty ash <input type="checkbox"/>	+\$0
99R	recograin rosewood <input type="checkbox"/>	+\$0
99T	recograin teak <input type="checkbox"/>	+\$0
9A1	white ash, quarter cut, low sheen <input type="checkbox"/>	+\$0
9K1	rift oak, rift cut, low sheen <input type="checkbox"/>	+\$0
9K6	burnt oak, rift cut, low sheen <input type="checkbox"/>	+\$0
G2U	light brown walnut, low sheen <input type="checkbox"/>	+\$0
G40	dark brown walnut, low sheen <input type="checkbox"/>	+\$0

Sled Base Credenza Three Units
Wide and Stone Top *continued*

Premium Veneer - Matte

For three single doors (-B2B2B2)

662	toasted walnut, matte sheen <input type="checkbox"/>	+\$0
663	charred walnut, matte sheen <input type="checkbox"/>	+\$0
664	bronzed walnut, matte sheen <input type="checkbox"/>	+\$0
665	smoked walnut, matte sheen <input type="checkbox"/>	+\$0
666	coffee walnut, matte sheen <input type="checkbox"/>	+\$0
667	smoked paldao, quarter cut, matte sheen <input type="checkbox"/>	+\$1556
669	warm paldao, quarter cut, matte sheen <input type="checkbox"/>	+\$1556
66A	recograin frosty ash <input type="checkbox"/>	+\$0
677	chocolate ash, matte sheen <input type="checkbox"/>	+\$0
678	natural oak <input type="checkbox"/>	+\$0
68R	recograin rosewood <input type="checkbox"/>	+\$0
69A	recograin frosty ash <input type="checkbox"/>	+\$0
69R	recograin rosewood <input type="checkbox"/>	+\$0
69T	recograin teak <input type="checkbox"/>	+\$0
6A1	white ash <input type="checkbox"/>	+\$0
6K1	rift oak <input type="checkbox"/>	+\$0
6K6	burnt oak <input type="checkbox"/>	+\$0
ET	clear on ash <input type="checkbox"/>	+\$0
EU	oak on ash <input type="checkbox"/>	+\$0
EV	walnut on ash <input type="checkbox"/>	+\$0
GOU	natural walnut, flat cut, matte sheen <input type="checkbox"/>	+\$0

RecoGrain Veneer

For three single doors (-B2B2B2)

68W	recograin walnut, flat cut, matte sheen <input type="checkbox"/>	-\$519
69K	recograin oak, quarter cut, matte sheen <input type="checkbox"/>	-\$519
69W	recograin walnut, quarter cut, matte sheen <input type="checkbox"/>	-\$519

Recon Veneer -

For three single doors (-B2B2B2)

98W	recograin walnut, flat cut, low sheen <input type="checkbox"/>	-\$519
99K	recograin oak, quarter cut, low sheen <input type="checkbox"/>	-\$519
99W	recograin walnut, quarter cut, low sheen <input type="checkbox"/>	-\$519

Premium Veneer - Low Sheen

For single door left, single door center, BBF right (-B2B2B4)

931	champagne anigre (natural) <input type="checkbox"/>	+\$4416
932	sundance anigre <input type="checkbox"/>	+\$4416
933	caramel anigre <input type="checkbox"/>	+\$4416
934	henna anigre <input type="checkbox"/>	+\$4416
941	natural beech <input type="checkbox"/>	+\$0
942	sundance cherry (natural) <input type="checkbox"/>	+\$0
943	caramel cherry <input type="checkbox"/>	+\$0
946	cocoa cherry <input type="checkbox"/>	+\$0
951	natural anigre <input type="checkbox"/>	+\$4416
956	cocoa sapele <input type="checkbox"/>	+\$0
962	toasted walnut, low sheen <input type="checkbox"/>	+\$0
963	charred walnut, low sheen <input type="checkbox"/>	+\$0
964	bronzed walnut, low sheen <input type="checkbox"/>	+\$0
965	smoked walnut, low sheen <input type="checkbox"/>	+\$0
966	coffee walnut, low sheen <input type="checkbox"/>	+\$0
967	smoked paldao, low sheen <input type="checkbox"/>	+\$1656
969	warm paldao, low sheen <input type="checkbox"/>	+\$1656
977	chocolate ash, low sheen <input type="checkbox"/>	+\$0
978	natural oak <input type="checkbox"/>	+\$0
981	champagne hickory (natural) <input type="checkbox"/>	+\$0
98R	recograin rosewood <input type="checkbox"/>	+\$0
991	champagne ash <input type="checkbox"/>	+\$0
998	ebony ash <input type="checkbox"/>	+\$0
99A	recograin frosty ash <input type="checkbox"/>	+\$0
99R	recograin rosewood <input type="checkbox"/>	+\$0
99T	recograin teak <input type="checkbox"/>	+\$0
9A1	white ash, quarter cut, low sheen <input type="checkbox"/>	+\$0
9K1	rift oak, rift cut, low sheen <input type="checkbox"/>	+\$0
9K6	burnt oak, rift cut, low sheen <input type="checkbox"/>	+\$0
G2U	light brown walnut, low sheen <input type="checkbox"/>	+\$0
G40	dark brown walnut, low sheen <input type="checkbox"/>	+\$0

Sled Base Credenza Three Units
Wide and Stone Top *continued*

HermanMiller Ancillary—Storage

Premium Veneer - Matte

For single door left, single door center, BBF right (-B2B2B4)

662	toasted walnut, matte sheen [A]	+\$0
663	charred walnut, matte sheen [A]	+\$0
664	bronzed walnut, matte sheen [A]	+\$0
665	smoked walnut, matte sheen [A]	+\$0
666	coffee walnut, matte sheen [A]	+\$0
667	smoked paldao, quarter cut, matte sheen [A]	+\$1656
669	warm paldao, quarter cut, matte sheen [A]	+\$1656
66A	recograin frosty ash [A]	+\$0
677	chocolate ash, matte sheen [A]	+\$0
678	natural oak [A]	+\$0
68R	recograin rosewood [A]	+\$0
69A	recograin frosty ash [A]	+\$0
69R	recograin rosewood [A]	+\$0
69T	recograin teak [A]	+\$0
6A1	white ash [A]	+\$0
6K1	rift oak [A]	+\$0
6K6	burnt oak [A]	+\$0
ET	clear on ash [A]	+\$0
EU	oak on ash [A]	+\$0
EV	walnut on ash [A]	+\$0
GOU	natural walnut, flat cut, matte sheen [A]	+\$0

RecoGrain Veneer

For single door left, single door center, BBF right (-B2B2B4)

68W	recograin walnut, flat cut, matte sheen [A]	-\$552
69K	recograin oak, quarter cut, matte sheen [A]	-\$552
69W	recograin walnut, quarter cut, matte sheen [A]	-\$552

Recon Veneer -

For single door left, single door center, BBF right (-B2B2B4)

98W	recograin walnut, flat cut, low sheen [A]	-\$552
99K	recograin oak, quarter cut, low sheen [A]	-\$552
99W	recograin walnut, quarter cut, low sheen [A]	-\$552

Premium Veneer - Low Sheen

For single door left, 4 box center, BBF right (-B2B3B4)

931	champagne anigre (natural) [A]	+\$4851
932	sundance anigre [A]	+\$4851
933	caramel anigre [A]	+\$4851
934	henna anigre [A]	+\$4851
941	natural beech [A]	+\$0
942	sundance cherry (natural) [A]	+\$0
943	caramel cherry [A]	+\$0
946	cocoa cherry [A]	+\$0
951	natural anigre [A]	+\$4851
956	cocoa sapele [A]	+\$0
962	toasted walnut, low sheen [A]	+\$0
963	charred walnut, low sheen [A]	+\$0
964	bronzed walnut, low sheen [A]	+\$0
965	smoked walnut, low sheen [A]	+\$0
966	coffee walnut, low sheen [A]	+\$0
967	smoked paldao, low sheen [A]	+\$1820
969	warm paldao, low sheen [A]	+\$1820
977	chocolate ash, low sheen [A]	+\$0
978	natural oak [A]	+\$0
981	champagne hickory (natural) [A]	+\$0
98R	recograin rosewood [A]	+\$0
991	champagne ash [A]	+\$0
998	ebony ash [A]	+\$0
99A	recograin frosty ash [A]	+\$0
99R	recograin rosewood [A]	+\$0
99T	recograin teak [A]	+\$0
9A1	white ash, quarter cut, low sheen [A]	+\$0
9K1	rift oak, rift cut, low sheen [A]	+\$0
9K6	burnt oak, rift cut, low sheen [A]	+\$0
G2U	light brown walnut, low sheen [A]	+\$0
G40	dark brown walnut, low sheen [A]	+\$0

Sled Base Credenza Three Units
Wide and Stone Top *continued*

Premium Veneer - Matte

For single door left, 4 box center, BBF right (-B2B3B4)

662	toasted walnut, matte sheen <input type="checkbox"/>	+\$0
663	charred walnut, matte sheen <input type="checkbox"/>	+\$0
664	bronzed walnut, matte sheen <input type="checkbox"/>	+\$0
665	smoked walnut, matte sheen <input type="checkbox"/>	+\$0
666	coffee walnut, matte sheen <input type="checkbox"/>	+\$0
667	smoked paldao, quarter cut, matte sheen <input type="checkbox"/>	+\$1820
669	warm paldao, quarter cut, matte sheen <input type="checkbox"/>	+\$1820
66A	recograin frosty ash <input type="checkbox"/>	+\$0
677	chocolate ash, matte sheen <input type="checkbox"/>	+\$0
678	natural oak <input type="checkbox"/>	+\$0
68R	recograin rosewood <input type="checkbox"/>	+\$0
69A	recograin frosty ash <input type="checkbox"/>	+\$0
69R	recograin rosewood <input type="checkbox"/>	+\$0
69T	recograin teak <input type="checkbox"/>	+\$0
6A1	white ash <input type="checkbox"/>	+\$0
6K1	rift oak <input type="checkbox"/>	+\$0
6K6	burnt oak <input type="checkbox"/>	+\$0
ET	clear on ash <input type="checkbox"/>	+\$0
EU	oak on ash <input type="checkbox"/>	+\$0
EV	walnut on ash <input type="checkbox"/>	+\$0
GOU	natural walnut, flat cut, matte sheen <input type="checkbox"/>	+\$0

RecoGrain Veneer

For single door left, 4 box center, BBF right (-B2B3B4)

68W	recograin walnut, flat cut, matte sheen <input type="checkbox"/>	-\$607
69K	recograin oak, quarter cut, matte sheen <input type="checkbox"/>	-\$607
69W	recograin walnut, quarter cut, matte sheen <input type="checkbox"/>	-\$607

Recon Veneer -

For single door left, 4 box center, BBF right (-B2B3B4)

98W	recograin walnut, flat cut, low sheen <input type="checkbox"/>	-\$607
99K	recograin oak, quarter cut, low sheen <input type="checkbox"/>	-\$607
99W	recograin walnut, quarter cut, low sheen <input type="checkbox"/>	-\$607

Premium Veneer - Low Sheen

For single door left, BBF center, BBF right (-B2B4B4)

931	champagne anigre (natural) <input type="checkbox"/>	+\$4685
932	sundance anigre <input type="checkbox"/>	+\$4685
933	caramel anigre <input type="checkbox"/>	+\$4685
934	henna anigre <input type="checkbox"/>	+\$4685
941	natural beech <input type="checkbox"/>	+\$0
942	sundance cherry (natural) <input type="checkbox"/>	+\$0
943	caramel cherry <input type="checkbox"/>	+\$0
946	cocoa cherry <input type="checkbox"/>	+\$0
951	natural anigre <input type="checkbox"/>	+\$4685
956	cocoa sapele <input type="checkbox"/>	+\$0
962	toasted walnut, low sheen <input type="checkbox"/>	+\$0
963	charred walnut, low sheen <input type="checkbox"/>	+\$0
964	bronzed walnut, low sheen <input type="checkbox"/>	+\$0
965	smoked walnut, low sheen <input type="checkbox"/>	+\$0
966	coffee walnut, low sheen <input type="checkbox"/>	+\$0
967	smoked paldao, low sheen <input type="checkbox"/>	+\$1757
969	warm paldao, low sheen <input type="checkbox"/>	+\$1757
977	chocolate ash, low sheen <input type="checkbox"/>	+\$0
978	natural oak <input type="checkbox"/>	+\$0
981	champagne hickory (natural) <input type="checkbox"/>	+\$0
98R	recograin rosewood <input type="checkbox"/>	+\$0
991	champagne ash <input type="checkbox"/>	+\$0
998	ebony ash <input type="checkbox"/>	+\$0
99A	recograin frosty ash <input type="checkbox"/>	+\$0
99R	recograin rosewood <input type="checkbox"/>	+\$0
99T	recograin teak <input type="checkbox"/>	+\$0
9A1	white ash, quarter cut, low sheen <input type="checkbox"/>	+\$0
9K1	rift oak, rift cut, low sheen <input type="checkbox"/>	+\$0
9K6	burnt oak, rift cut, low sheen <input type="checkbox"/>	+\$0
G2U	light brown walnut, low sheen <input type="checkbox"/>	+\$0
G40	dark brown walnut, low sheen <input type="checkbox"/>	+\$0

Sled Base Credenza Three Units
Wide and Stone Top *continued*

HermanMiller Ancillary—Storage

Premium Veneer - Matte

For single door left, BBF center, BBF right (-B2B4B4)

662	toasted walnut, matte sheen <input type="checkbox"/>	+\$0
663	charred walnut, matte sheen <input type="checkbox"/>	+\$0
664	bronzed walnut, matte sheen <input type="checkbox"/>	+\$0
665	smoked walnut, matte sheen <input type="checkbox"/>	+\$0
666	coffee walnut, matte sheen <input type="checkbox"/>	+\$0
667	smoked paldao, quarter cut, matte sheen <input type="checkbox"/>	+\$1757
669	warm paldao, quarter cut, matte sheen <input type="checkbox"/>	+\$1757
66A	recograin frosty ash <input type="checkbox"/>	+\$0
677	chocolate ash, matte sheen <input type="checkbox"/>	+\$0
678	natural oak <input type="checkbox"/>	+\$0
68R	recograin rosewood <input type="checkbox"/>	+\$0
69A	recograin frosty ash <input type="checkbox"/>	+\$0
69R	recograin rosewood <input type="checkbox"/>	+\$0
69T	recograin teak <input type="checkbox"/>	+\$0
6A1	white ash <input type="checkbox"/>	+\$0
6K1	rift oak <input type="checkbox"/>	+\$0
6K6	burnt oak <input type="checkbox"/>	+\$0
ET	clear on ash <input type="checkbox"/>	+\$0
EU	oak on ash <input type="checkbox"/>	+\$0
EV	walnut on ash <input type="checkbox"/>	+\$0
GOU	natural walnut, flat cut, matte sheen <input type="checkbox"/>	+\$0

RecoGrain Veneer

For single door left, BBF center, BBF right (-B2B4B4)

68W	recograin walnut, flat cut, matte sheen <input type="checkbox"/>	-\$586
69K	recograin oak, quarter cut, matte sheen <input type="checkbox"/>	-\$586
69W	recograin walnut, quarter cut, matte sheen <input type="checkbox"/>	-\$586

Recon Veneer -

For single door left, BBF center, BBF right (-B2B4B4)

98W	recograin walnut, flat cut, low sheen <input type="checkbox"/>	-\$586
99K	recograin oak, quarter cut, low sheen <input type="checkbox"/>	-\$586
99W	recograin walnut, quarter cut, low sheen <input type="checkbox"/>	-\$586

Premium Veneer - Low Sheen

For BBF left, BBF center, BBF right (-B4B4B4)

931	champagne anigre (natural) <input type="checkbox"/>	+\$4953
932	sundance anigre <input type="checkbox"/>	+\$4953
933	caramel anigre <input type="checkbox"/>	+\$4953
934	henna anigre <input type="checkbox"/>	+\$4953
941	natural beech <input type="checkbox"/>	+\$0
942	sundance cherry (natural) <input type="checkbox"/>	+\$0
943	caramel cherry <input type="checkbox"/>	+\$0
946	cocoa cherry <input type="checkbox"/>	+\$0
951	natural anigre <input type="checkbox"/>	+\$4953
956	cocoa sapele <input type="checkbox"/>	+\$0
962	toasted walnut, low sheen <input type="checkbox"/>	+\$0
963	charred walnut, low sheen <input type="checkbox"/>	+\$0
964	bronzed walnut, low sheen <input type="checkbox"/>	+\$0
965	smoked walnut, low sheen <input type="checkbox"/>	+\$0
966	coffee walnut, low sheen <input type="checkbox"/>	+\$0
967	smoked paldao, low sheen <input type="checkbox"/>	+\$1858
969	warm paldao, low sheen <input type="checkbox"/>	+\$1858
977	chocolate ash, low sheen <input type="checkbox"/>	+\$0
978	natural oak <input type="checkbox"/>	+\$0
981	champagne hickory (natural) <input type="checkbox"/>	+\$0
98R	recograin rosewood <input type="checkbox"/>	+\$0
991	champagne ash <input type="checkbox"/>	+\$0
998	ebony ash <input type="checkbox"/>	+\$0
99A	recograin frosty ash <input type="checkbox"/>	+\$0
99R	recograin rosewood <input type="checkbox"/>	+\$0
99T	recograin teak <input type="checkbox"/>	+\$0
9A1	white ash, quarter cut, low sheen <input type="checkbox"/>	+\$0
9K1	rift oak, rift cut, low sheen <input type="checkbox"/>	+\$0
9K6	burnt oak, rift cut, low sheen <input type="checkbox"/>	+\$0
G2U	light brown walnut, low sheen <input type="checkbox"/>	+\$0
G40	dark brown walnut, low sheen <input type="checkbox"/>	+\$0

Sled Base Credenza Three Units

Wide and Stone Top *continued*

Premium Veneer - Matte

For BBF left, BBF center, BBF right (-B4B4B4)

662	toasted walnut, matte sheen <input type="checkbox"/>	+\$0
663	charred walnut, matte sheen <input type="checkbox"/>	+\$0
664	bronzed walnut, matte sheen <input type="checkbox"/>	+\$0
665	smoked walnut, matte sheen <input type="checkbox"/>	+\$0
666	coffee walnut, matte sheen <input type="checkbox"/>	+\$0
667	smoked paldao, quarter cut, matte sheen <input type="checkbox"/>	+\$1858
669	warm paldao, quarter cut, matte sheen <input type="checkbox"/>	+\$1858
66A	recograin frosty ash <input type="checkbox"/>	+\$0
677	chocolate ash, matte sheen <input type="checkbox"/>	+\$0
678	natural oak <input type="checkbox"/>	+\$0
68R	recograin rosewood <input type="checkbox"/>	+\$0
69A	recograin frosty ash <input type="checkbox"/>	+\$0
69R	recograin rosewood <input type="checkbox"/>	+\$0
69T	recograin teak <input type="checkbox"/>	+\$0
6A1	white ash <input type="checkbox"/>	+\$0
6K1	rift oak <input type="checkbox"/>	+\$0
6K6	burnt oak <input type="checkbox"/>	+\$0
ET	clear on ash <input type="checkbox"/>	+\$0
EU	oak on ash <input type="checkbox"/>	+\$0
EV	walnut on ash <input type="checkbox"/>	+\$0
GOU	natural walnut, flat cut, matte sheen <input type="checkbox"/>	+\$0

RecoGrain Veneer

For BBF left, BBF center, BBF right (-B4B4B4)

68W	recograin walnut, flat cut, matte sheen <input type="checkbox"/>	-\$620
69K	recograin oak, quarter cut, matte sheen <input type="checkbox"/>	-\$620
69W	recograin walnut, quarter cut, matte sheen <input type="checkbox"/>	-\$620

Recon Veneer -

For BBF left, BBF center, BBF right (-B4B4B4)

98W	recograin walnut, flat cut, low sheen <input type="checkbox"/>	-\$620
99K	recograin oak, quarter cut, low sheen <input type="checkbox"/>	-\$620
99W	recograin walnut, quarter cut, low sheen <input type="checkbox"/>	-\$620

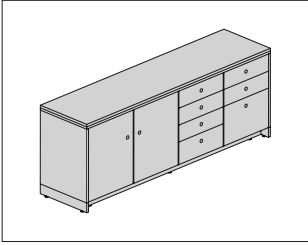
Step 5. Stone or Marble Top

200	perfato marble <input type="checkbox"/>	+\$0
250	verde antique marble <input type="checkbox"/>	+\$0
400	black granite <input type="checkbox"/>	+\$0
5U	georgia grey marble <input type="checkbox"/>	+\$0
800	autumn brown granite <input type="checkbox"/>	+\$0
960	white carrara marble <input type="checkbox"/>	+\$0

Step 6. Metal Finish

CHR	chrome <input type="checkbox"/>	+\$0
SAC	satin chrome <input type="checkbox"/>	+\$0

Sled Base Credenza Four Units Wide JCS4S
and Stone Top



HermanMiller Ancillary—Storage

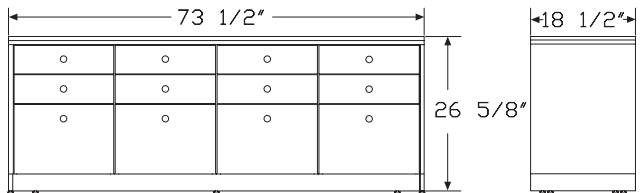
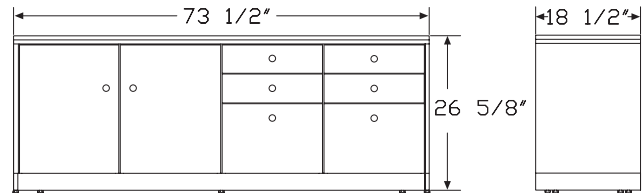
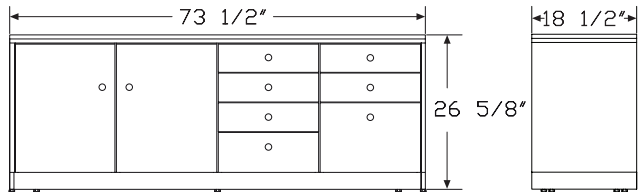
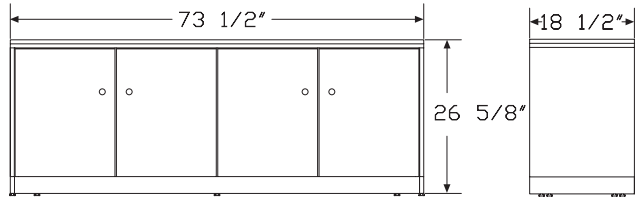
Product Information

Description
This four-unit wide sled base credenza has a stone top and includes 3"-high metal base on the 3/4"-thick credenza gable. Storage unit is 18"-wide. Ward Bennett Flip pulls come in matching metal finish.

Notes

Sled base credenzas ship assembled.
 Drawer credenzas include wood boxes and self-closing hidden drawer slides.
 Pencil tray and felt lining in bottom of drawer also included.
 Santos palisander veneer is celebrated for its unique grain and color variations. Similar products ordered in multiples or dissimilar products ordered separately should be expected to have variation in both grain and color characteristics; no two products will look exactly alike.

Dimensions



Sled Base Credenza Four Units Wide and Stone Top *continued*

Specification Information

Step 1.

JCS4S

Step 2. Size

-1974 18½" deep x 73½" wide x 26⅝" high

Step 3. Configuration

-B2B2B2B2 four single doors

-B2B2B3B4 single door left, single door left center, four drawers right center, BBF right

-B2B2B4B4 single door left, single door left center, BBF right center, BBF right

-B4B4B4B4 four BBF

Prices for Steps 1-3.

	-B2B2B2B2	-B2B2B3B4	-B2B2B4B4	-B4B4B4B4
JCS4S -1974	\$21553	24336	23678	25807

Step 4. Wood Finish

Premium Veneer - Low Sheen

For four single doors (-B2B2B2B2)

931	champagne anigre (natural) <input type="checkbox"/>	+\$5427
932	sundance anigre <input type="checkbox"/>	+\$5427
933	caramel anigre <input type="checkbox"/>	+\$5427
934	henna anigre <input type="checkbox"/>	+\$5427
941	natural beech <input type="checkbox"/>	+\$0
942	sundance cherry (natural) <input type="checkbox"/>	+\$0
943	caramel cherry <input type="checkbox"/>	+\$0
946	cocoa cherry <input type="checkbox"/>	+\$0
951	natural anigre <input type="checkbox"/>	+\$5427
956	cocoa sapele <input type="checkbox"/>	+\$0
962	toasted walnut, low sheen <input type="checkbox"/>	+\$0
963	charred walnut, low sheen <input type="checkbox"/>	+\$0
964	bronzed walnut, low sheen <input type="checkbox"/>	+\$0
965	smoked walnut, low sheen <input type="checkbox"/>	+\$0
966	coffee walnut, low sheen <input type="checkbox"/>	+\$0
967	smoked paldao, low sheen <input type="checkbox"/>	+\$2036
969	warm paldao, low sheen <input type="checkbox"/>	+\$2036
977	chocolate ash, low sheen <input type="checkbox"/>	+\$0
978	natural oak <input type="checkbox"/>	+\$0
981	champagne hickory (natural) <input type="checkbox"/>	+\$0
98R	recograin rosewood <input type="checkbox"/>	+\$0
991	champagne ash <input type="checkbox"/>	+\$0
998	ebony ash <input type="checkbox"/>	+\$0
99A	recograin frosty ash <input type="checkbox"/>	+\$0
99R	recograin rosewood <input type="checkbox"/>	+\$0
99T	recograin teak <input type="checkbox"/>	+\$0
9A1	white ash, quarter cut, low sheen <input type="checkbox"/>	+\$0
9K1	rift oak, rift cut, low sheen <input type="checkbox"/>	+\$0
9K6	burnt oak, rift cut, low sheen <input type="checkbox"/>	+\$0
G2U	light brown walnut, low sheen <input type="checkbox"/>	+\$0
G40	dark brown walnut, low sheen <input type="checkbox"/>	+\$0

Sled Base Credenza Four Units Wide and Stone Top *continued*

Premium Veneer - Matte

For four single doors (-B2B2B2B2)

662	toasted walnut, matte sheen <input type="checkbox"/>	+\$0
663	charred walnut, matte sheen <input type="checkbox"/>	+\$0
664	bronzed walnut, matte sheen <input type="checkbox"/>	+\$0
665	smoked walnut, matte sheen <input type="checkbox"/>	+\$0
666	coffee walnut, matte sheen <input type="checkbox"/>	+\$0
667	smoked paldao, quarter cut, matte sheen <input type="checkbox"/>	+\$2036
669	warm paldao, quarter cut, matte sheen <input type="checkbox"/>	+\$2036
66A	recograin frosty ash <input type="checkbox"/>	+\$0
677	chocolate ash, matte sheen <input type="checkbox"/>	+\$0
678	natural oak <input type="checkbox"/>	+\$0
68R	recograin rosewood <input type="checkbox"/>	+\$0
69A	recograin frosty ash <input type="checkbox"/>	+\$0
69R	recograin rosewood <input type="checkbox"/>	+\$0
69T	recograin teak <input type="checkbox"/>	+\$0
6A1	white ash <input type="checkbox"/>	+\$0
6K1	rift oak <input type="checkbox"/>	+\$0
6K6	burnt oak <input type="checkbox"/>	+\$0
ET	clear on ash <input type="checkbox"/>	+\$0
EU	oak on ash <input type="checkbox"/>	+\$0
EV	walnut on ash <input type="checkbox"/>	+\$0
GOU	natural walnut, flat cut, matte sheen <input type="checkbox"/>	+\$0

RecoGrain Veneer

For four single doors (-B2B2B2B2)

68W	recograin walnut, flat cut, matte sheen <input type="checkbox"/>	-\$679
69K	recograin oak, quarter cut, matte sheen <input type="checkbox"/>	-\$679
69W	recograin walnut, quarter cut, matte sheen <input type="checkbox"/>	-\$679

Recon Veneer -

For four single doors (-B2B2B2B2)

98W	recograin walnut, flat cut, low sheen <input type="checkbox"/>	-\$679
99K	recograin oak, quarter cut, low sheen <input type="checkbox"/>	-\$679
99W	recograin walnut, quarter cut, low sheen <input type="checkbox"/>	-\$679

Premium Veneer - Low Sheen

For single door left, single door left center, four drawers right center, BBF right (-B2B2B3B4)

931	champagne anigre (natural) <input type="checkbox"/>	+\$6128
932	sundance anigre <input type="checkbox"/>	+\$6128
933	caramel anigre <input type="checkbox"/>	+\$6128
934	henna anigre <input type="checkbox"/>	+\$6128
941	natural beech <input type="checkbox"/>	+\$0
942	sundance cherry (natural) <input type="checkbox"/>	+\$0
943	caramel cherry <input type="checkbox"/>	+\$0
946	cocoa cherry <input type="checkbox"/>	+\$0
951	natural anigre <input type="checkbox"/>	+\$6128
956	cocoa sapele <input type="checkbox"/>	+\$0
962	toasted walnut, low sheen <input type="checkbox"/>	+\$0
963	charred walnut, low sheen <input type="checkbox"/>	+\$0
964	bronzed walnut, low sheen <input type="checkbox"/>	+\$0
965	smoked walnut, low sheen <input type="checkbox"/>	+\$0
966	coffee walnut, low sheen <input type="checkbox"/>	+\$0
967	smoked paldao, low sheen <input type="checkbox"/>	+\$2298
969	warm paldao, low sheen <input type="checkbox"/>	+\$2298
977	chocolate ash, low sheen <input type="checkbox"/>	+\$0
978	natural oak <input type="checkbox"/>	+\$0
981	champagne hickory (natural) <input type="checkbox"/>	+\$0
98R	recograin rosewood <input type="checkbox"/>	+\$0
991	champagne ash <input type="checkbox"/>	+\$0
998	ebony ash <input type="checkbox"/>	+\$0
99A	recograin frosty ash <input type="checkbox"/>	+\$0
99R	recograin rosewood <input type="checkbox"/>	+\$0
99T	recograin teak <input type="checkbox"/>	+\$0
9A1	white ash, quarter cut, low sheen <input type="checkbox"/>	+\$0
9K1	rift oak, rift cut, low sheen <input type="checkbox"/>	+\$0
9K6	burnt oak, rift cut, low sheen <input type="checkbox"/>	+\$0
G2U	light brown walnut, low sheen <input type="checkbox"/>	+\$0
G40	dark brown walnut, low sheen <input type="checkbox"/>	+\$0

Sled Base Credenza Four Units Wide
and Stone Top *continued*

Premium Veneer - Matte

For single door left, single door left center, four drawers right center, BBF right (-B2B2B3B4)

662	toasted walnut, matte sheen [A]	+\$0
663	charred walnut, matte sheen [A]	+\$0
664	bronzed walnut, matte sheen [A]	+\$0
665	smoked walnut, matte sheen [A]	+\$0
666	coffee walnut, matte sheen [A]	+\$0
667	smoked paldao, quarter cut, matte sheen [A]	+\$2298
669	warm paldao, quarter cut, matte sheen [A]	+\$2298
66A	recograin frosty ash [A]	+\$0
677	chocolate ash, matte sheen [A]	+\$0
678	natural oak [A]	+\$0
68R	recograin rosewood [A]	+\$0
69A	recograin frosty ash [A]	+\$0
69R	recograin rosewood [A]	+\$0
69T	recograin teak [A]	+\$0
6A1	white ash [A]	+\$0
6K1	rift oak [A]	+\$0
6K6	burnt oak [A]	+\$0
ET	clear on ash [A]	+\$0
EU	oak on ash [A]	+\$0
EV	walnut on ash [A]	+\$0
GOU	natural walnut, flat cut, matte sheen [A]	+\$0

RecoGrain Veneer

For single door left, single door left center, four drawers right center, BBF right (-B2B2B3B4)

68W	recograin walnut, flat cut, matte sheen [A]	-\$766
69K	recograin oak, quarter cut, matte sheen [A]	-\$766
69W	recograin walnut, quarter cut, matte sheen [A]	-\$766

Recon Veneer -

For single door left, single door left center, four drawers right center, BBF right (-B2B2B3B4)

98W	recograin walnut, flat cut, low sheen [A]	-\$766
99K	recograin oak, quarter cut, low sheen [A]	-\$766
99W	recograin walnut, quarter cut, low sheen [A]	-\$766

Premium Veneer - Low Sheen

For single door left, single door left center, BBF right center, BBF right (-B2B2B4B4)

931	champagne anigre (natural) [A]	+\$5962
932	sundance anigre [A]	+\$5962
933	caramel anigre [A]	+\$5962
934	henna anigre [A]	+\$5962
941	natural beech [A]	+\$0
942	sundance cherry (natural) [A]	+\$0
943	caramel cherry [A]	+\$0
946	cocoa cherry [A]	+\$0
951	natural anigre [A]	+\$5962
956	cocoa sapele [A]	+\$0
962	toasted walnut, low sheen [A]	+\$0
963	charred walnut, low sheen [A]	+\$0
964	bronzed walnut, low sheen [A]	+\$0
965	smoked walnut, low sheen [A]	+\$0
966	coffee walnut, low sheen [A]	+\$0
967	smoked paldao, low sheen [A]	+\$2236
969	warm paldao, low sheen [A]	+\$2236
977	chocolate ash, low sheen [A]	+\$0
978	natural oak [A]	+\$0
981	champagne hickory (natural) [A]	+\$0
98R	recograin rosewood [A]	+\$0
991	champagne ash [A]	+\$0
998	ebony ash [A]	+\$0
99A	recograin frosty ash [A]	+\$0
99R	recograin rosewood [A]	+\$0
99T	recograin teak [A]	+\$0
9A1	white ash, quarter cut, low sheen [A]	+\$0
9K1	rift oak, rift cut, low sheen [A]	+\$0
9K6	burnt oak, rift cut, low sheen [A]	+\$0
G2U	light brown walnut, low sheen [A]	+\$0
G40	dark brown walnut, low sheen [A]	+\$0

Sled Base Credenza Four Units Wide and Stone Top *continued*

Premium Veneer - Matte

For single door left, single door left center, BBF right center, BBF right (-B2B2B4B4)

662	toasted walnut, matte sheen [A]	+\$0
663	charred walnut, matte sheen [A]	+\$0
664	bronzed walnut, matte sheen [A]	+\$0
665	smoked walnut, matte sheen [A]	+\$0
666	coffee walnut, matte sheen [A]	+\$0
667	smoked paldao, quarter cut, matte sheen [A]	+\$2236
669	warm paldao, quarter cut, matte sheen [A]	+\$2236
66A	recograin frosty ash [A]	+\$0
677	chocolate ash, matte sheen [A]	+\$0
678	natural oak [A]	+\$0
68R	recograin rosewood [A]	+\$0
69A	recograin frosty ash [A]	+\$0
69R	recograin rosewood [A]	+\$0
69T	recograin teak [A]	+\$0
6A1	white ash [A]	+\$0
6K1	rift oak [A]	+\$0
6K6	burnt oak [A]	+\$0
ET	clear on ash [A]	+\$0
EU	oak on ash [A]	+\$0
EV	walnut on ash [A]	+\$0
GOU	natural walnut, flat cut, matte sheen [A]	+\$0

RecoGrain Veneer

For single door left, single door left center, BBF right center, BBF right (-B2B2B4B4)

68W	recograin walnut, flat cut, matte sheen [A]	-\$746
69K	recograin oak, quarter cut, matte sheen [A]	-\$746
69W	recograin walnut, quarter cut, matte sheen [A]	-\$746

Recon Veneer -

For single door left, single door left center, BBF right center, BBF right (-B2B2B4B4)

98W	recograin walnut, flat cut, low sheen [A]	-\$746
99K	recograin oak, quarter cut, low sheen [A]	-\$746
99W	recograin walnut, quarter cut, low sheen [A]	-\$746

Premium Veneer - Low Sheen

For four BBF (-B4B4B4B4)

931	champagne anigre (natural) [A]	+\$6498
932	sundance anigre [A]	+\$6498
933	caramel anigre [A]	+\$6498
934	henna anigre [A]	+\$6498
941	natural beech [A]	+\$0
942	sundance cherry (natural) [A]	+\$0
943	caramel cherry [A]	+\$0
946	cocoa cherry [A]	+\$0
951	natural anigre [A]	+\$6498
956	cocoa sapele [A]	+\$0
962	toasted walnut, low sheen [A]	+\$0
963	charred walnut, low sheen [A]	+\$0
964	bronzed walnut, low sheen [A]	+\$0
965	smoked walnut, low sheen [A]	+\$0
966	coffee walnut, low sheen [A]	+\$0
967	smoked paldao, low sheen [A]	+\$2437
969	warm paldao, low sheen [A]	+\$2437
977	chocolate ash, low sheen [A]	+\$0
978	natural oak [A]	+\$0
981	champagne hickory (natural) [A]	+\$0
98R	recograin rosewood [A]	+\$0
991	champagne ash [A]	+\$0
998	ebony ash [A]	+\$0
99A	recograin frosty ash [A]	+\$0
99R	recograin rosewood [A]	+\$0
99T	recograin teak [A]	+\$0
9A1	white ash, quarter cut, low sheen [A]	+\$0
9K1	rift oak, rift cut, low sheen [A]	+\$0
9K6	burnt oak, rift cut, low sheen [A]	+\$0
G2U	light brown walnut, low sheen [A]	+\$0
G40	dark brown walnut, low sheen [A]	+\$0

Sled Base Credenza Four Units Wide and Stone Top *continued*

Premium Veneer - Matte

For four BBF (-B4B4B4B4)

662	toasted walnut, matte sheen <input type="checkbox"/>	+\$0
663	charred walnut, matte sheen <input type="checkbox"/>	+\$0
664	bronzed walnut, matte sheen <input type="checkbox"/>	+\$0
665	smoked walnut, matte sheen <input type="checkbox"/>	+\$0
666	coffee walnut, matte sheen <input type="checkbox"/>	+\$0
667	smoked paldao, quarter cut, matte sheen <input type="checkbox"/>	+\$2437
669	warm paldao, quarter cut, matte sheen <input type="checkbox"/>	+\$2437
66A	recograin frosty ash <input type="checkbox"/>	+\$0
677	chocolate ash, matte sheen <input type="checkbox"/>	+\$0
678	natural oak <input type="checkbox"/>	+\$0
68R	recograin rosewood <input type="checkbox"/>	+\$0
69A	recograin frosty ash <input type="checkbox"/>	+\$0
69R	recograin rosewood <input type="checkbox"/>	+\$0
69T	recograin teak <input type="checkbox"/>	+\$0
6A1	white ash <input type="checkbox"/>	+\$0
6K1	rift oak <input type="checkbox"/>	+\$0
6K6	burnt oak <input type="checkbox"/>	+\$0
ET	clear on ash <input type="checkbox"/>	+\$0
EU	oak on ash <input type="checkbox"/>	+\$0
EV	walnut on ash <input type="checkbox"/>	+\$0
GOU	natural walnut, flat cut, matte sheen <input type="checkbox"/>	+\$0

RecoGrain Veneer

For four BBF (-B4B4B4B4)

68W	recograin walnut, flat cut, matte sheen <input type="checkbox"/>	-\$813
69K	recograin oak, quarter cut, matte sheen <input type="checkbox"/>	-\$813
69W	recograin walnut, quarter cut, matte sheen <input type="checkbox"/>	-\$813

Recon Veneer -

For four BBF (-B4B4B4B4)

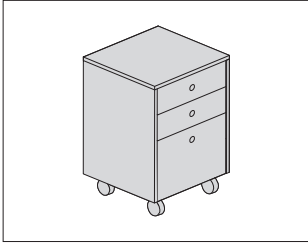
98W	recograin walnut, flat cut, low sheen <input type="checkbox"/>	-\$813
99K	recograin oak, quarter cut, low sheen <input type="checkbox"/>	-\$813
99W	recograin walnut, quarter cut, low sheen <input type="checkbox"/>	-\$813

Step 5. Stone or Marble Top

200	perfato marble <input type="checkbox"/>	+\$0
250	verde antique marble <input type="checkbox"/>	+\$0
400	black granite <input type="checkbox"/>	+\$0
5U	georgia grey marble <input type="checkbox"/>	+\$0
800	autumn brown granite <input type="checkbox"/>	+\$0
960	white carrara marble <input type="checkbox"/>	+\$0

Step 6. Metal Finish

CHR	chrome <input type="checkbox"/>	+\$0
SAC	satin chrome <input type="checkbox"/>	+\$0



HermanMiller Ancillary--Storage

Product Information

Description

This one-unit wide mobile pedestal has a wood top with metal frame. The casters are black with a silver yoke and no brake. Drawers include wood boxes and self-closing hidden drawer slides. Ward Bennett Flip Pull comes in matching metal finish.

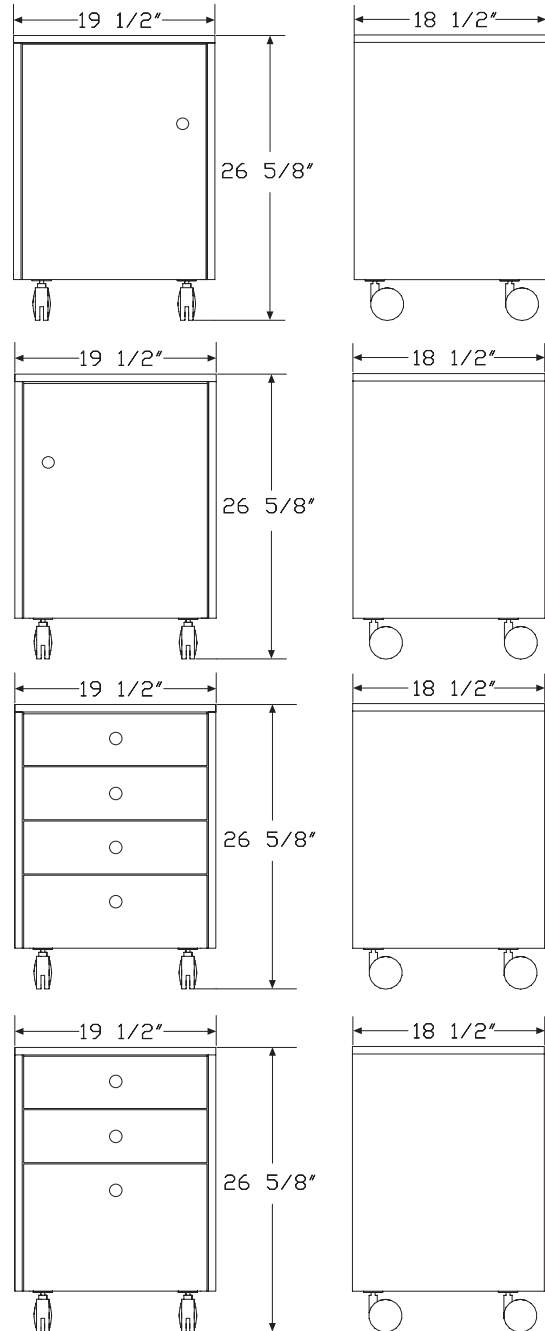
Notes

Mobile credenzas ship assembled.

B3 and B4 box drawers include pencil tray and felt lining in bottom of top drawer.

Santos palisander veneer is celebrated for its unique grain and color variations. Similar products ordered in multiples or dissimilar products ordered separately should be expected to have variation in both grain and color characteristics; no two products will look exactly alike.

Dimensions



Specification Information

Step 1.

JMS1

Step 2. Size

-1920 18½" deep x 19½" wide x 26⅝" high

Step 3. Configuration

-B2L single door, hinged left

-B2R single door, hinged right

-B3 four box drawer

-B4 box, box, file

Prices for Steps 1-3.

JMS1-1920	-B2L	\$5116
	-B2R	\$5116
	-B3	\$6844
	-B4	\$6182

Step 4. Wood Finish

Premium Veneer - Low Sheen

For single door, hinged left (-B2L) or single door, hinged right (-B2R)

931	champagne anigre (natural) <input type="checkbox"/>	+\$1288
932	sundance anigre <input type="checkbox"/>	+\$1288
933	caramel anigre <input type="checkbox"/>	+\$1288
934	henna anigre <input type="checkbox"/>	+\$1288
941	natural beech <input type="checkbox"/>	+\$0
942	sundance cherry (natural) <input type="checkbox"/>	+\$0
943	caramel cherry <input type="checkbox"/>	+\$0
946	cocoa cherry <input type="checkbox"/>	+\$0
951	natural anigre <input type="checkbox"/>	+\$1288
956	cocoa sapele <input type="checkbox"/>	+\$0
962	toasted walnut, low sheen <input type="checkbox"/>	+\$0
963	charred walnut, low sheen <input type="checkbox"/>	+\$0
964	bronzed walnut, low sheen <input type="checkbox"/>	+\$0
965	smoked walnut, low sheen <input type="checkbox"/>	+\$0
966	coffee walnut, low sheen <input type="checkbox"/>	+\$0
967	smoked paldao, low sheen <input type="checkbox"/>	+\$483
969	warm paldao, low sheen <input type="checkbox"/>	+\$483
977	chocolate ash, low sheen <input type="checkbox"/>	+\$0
978	natural oak <input type="checkbox"/>	+\$0
981	champagne hickory (natural) <input type="checkbox"/>	+\$0
98R	recograin rosewood <input type="checkbox"/>	+\$0
991	champagne ash <input type="checkbox"/>	+\$0
998	ebony ash <input type="checkbox"/>	+\$0
99A	recograin frosty ash <input type="checkbox"/>	+\$0
99R	recograin rosewood <input type="checkbox"/>	+\$0
99T	recograin teak <input type="checkbox"/>	+\$0
9A1	white ash, quarter cut, low sheen <input type="checkbox"/>	+\$0
9K1	rift oak, rift cut, low sheen <input type="checkbox"/>	+\$0
9K6	burnt oak, rift cut, low sheen <input type="checkbox"/>	+\$0
G2U	light brown walnut, low sheen <input type="checkbox"/>	+\$0
G40	dark brown walnut, low sheen <input type="checkbox"/>	+\$0

Sled Base Mobile Pedestal *continued*

HermanMiller Ancillary—Storage

Premium Veneer - Matte

For single door, hinged left (-B2L) or single door, hinged right (-B2R)

662	toasted walnut, matte sheen <input type="checkbox"/>	+\$0
663	charred walnut, matte sheen <input type="checkbox"/>	+\$0
664	bronzed walnut, matte sheen <input type="checkbox"/>	+\$0
665	smoked walnut, matte sheen <input type="checkbox"/>	+\$0
666	coffee walnut, matte sheen <input type="checkbox"/>	+\$0
667	smoked paldao, quarter cut, matte sheen <input type="checkbox"/>	+\$483
669	warm paldao, quarter cut, matte sheen <input type="checkbox"/>	+\$483
66A	recograin frosty ash <input type="checkbox"/>	+\$0
677	chocolate ash, matte sheen <input type="checkbox"/>	+\$0
678	natural oak <input type="checkbox"/>	+\$0
68R	recograin rosewood <input type="checkbox"/>	+\$0
69A	recograin frosty ash <input type="checkbox"/>	+\$0
69R	recograin rosewood <input type="checkbox"/>	+\$0
69T	recograin teak <input type="checkbox"/>	+\$0
6A1	white ash <input type="checkbox"/>	+\$0
6K1	rift oak <input type="checkbox"/>	+\$0
6K6	burnt oak <input type="checkbox"/>	+\$0
ET	clear on ash <input type="checkbox"/>	+\$0
EU	oak on ash <input type="checkbox"/>	+\$0
EV	walnut on ash <input type="checkbox"/>	+\$0
GOU	natural walnut, flat cut, matte sheen <input type="checkbox"/>	+\$0

RecoGrain Veneer

For single door, hinged left (-B2L) or single door, hinged right (-B2R)

68W	recograin walnut, flat cut, matte sheen <input type="checkbox"/>	-\$161
69K	recograin oak, quarter cut, matte sheen <input type="checkbox"/>	-\$161
69W	recograin walnut, quarter cut, matte sheen <input type="checkbox"/>	-\$161

Recon Veneer -

For single door, hinged left (-B2L) or single door, hinged right (-B2R)

98W	recograin walnut, flat cut, low sheen <input type="checkbox"/>	-\$161
99K	recograin oak, quarter cut, low sheen <input type="checkbox"/>	-\$161
99W	recograin walnut, quarter cut, low sheen <input type="checkbox"/>	-\$161

Premium Veneer - Low Sheen

For four box drawer (-B3)

931	champagne anigre (natural) <input type="checkbox"/>	+\$1723
932	sundance anigre <input type="checkbox"/>	+\$1723
933	caramel anigre <input type="checkbox"/>	+\$1723
934	henna anigre <input type="checkbox"/>	+\$1723
941	natural beech <input type="checkbox"/>	+\$0
942	sundance cherry (natural) <input type="checkbox"/>	+\$0
943	caramel cherry <input type="checkbox"/>	+\$0
946	cocoa cherry <input type="checkbox"/>	+\$0
951	natural anigre <input type="checkbox"/>	+\$1723
956	cocoa sapele <input type="checkbox"/>	+\$0
962	toasted walnut, low sheen <input type="checkbox"/>	+\$0
963	charred walnut, low sheen <input type="checkbox"/>	+\$0
964	bronzed walnut, low sheen <input type="checkbox"/>	+\$0
965	smoked walnut, low sheen <input type="checkbox"/>	+\$0
966	coffee walnut, low sheen <input type="checkbox"/>	+\$0
967	smoked paldao, low sheen <input type="checkbox"/>	+\$646
969	warm paldao, low sheen <input type="checkbox"/>	+\$646
977	chocolate ash, low sheen <input type="checkbox"/>	+\$0
978	natural oak <input type="checkbox"/>	+\$0
981	champagne hickory (natural) <input type="checkbox"/>	+\$0
98R	recograin rosewood <input type="checkbox"/>	+\$0
991	champagne ash <input type="checkbox"/>	+\$0
998	ebony ash <input type="checkbox"/>	+\$0
99A	recograin frosty ash <input type="checkbox"/>	+\$0
99R	recograin rosewood <input type="checkbox"/>	+\$0
99T	recograin teak <input type="checkbox"/>	+\$0
9A1	white ash, quarter cut, low sheen <input type="checkbox"/>	+\$0
9K1	rift oak, rift cut, low sheen <input type="checkbox"/>	+\$0
9K6	burnt oak, rift cut, low sheen <input type="checkbox"/>	+\$0
G2U	light brown walnut, low sheen <input type="checkbox"/>	+\$0
G40	dark brown walnut, low sheen <input type="checkbox"/>	+\$0

Sled Base Mobile Pedestal *continued*

Premium Veneer - Matte

For four box drawer (-B3)

662	toasted walnut, matte sheen <input type="checkbox"/>	+\$0
663	charred walnut, matte sheen <input type="checkbox"/>	+\$0
664	bronzed walnut, matte sheen <input type="checkbox"/>	+\$0
665	smoked walnut, matte sheen <input type="checkbox"/>	+\$0
666	coffee walnut, matte sheen <input type="checkbox"/>	+\$0
667	smoked paldao, quarter cut, matte sheen <input type="checkbox"/>	+\$646
669	warm paldao, quarter cut, matte sheen <input type="checkbox"/>	+\$646
66A	recograin frosty ash <input type="checkbox"/>	+\$0
677	chocolate ash, matte sheen <input type="checkbox"/>	+\$0
678	natural oak <input type="checkbox"/>	+\$0
68R	recograin rosewood <input type="checkbox"/>	+\$0
69A	recograin frosty ash <input type="checkbox"/>	+\$0
69R	recograin rosewood <input type="checkbox"/>	+\$0
69T	recograin teak <input type="checkbox"/>	+\$0
6A1	white ash <input type="checkbox"/>	+\$0
6K1	rift oak <input type="checkbox"/>	+\$0
6K6	burnt oak <input type="checkbox"/>	+\$0
ET	clear on ash <input type="checkbox"/>	+\$0
EU	oak on ash <input type="checkbox"/>	+\$0
EV	walnut on ash <input type="checkbox"/>	+\$0
GOU	natural walnut, flat cut, matte sheen <input type="checkbox"/>	+\$0

RecoGrain Veneer

For four box drawer (-B3)

68W	recograin walnut, flat cut, matte sheen <input type="checkbox"/>	-\$216
69K	recograin oak, quarter cut, matte sheen <input type="checkbox"/>	-\$216
69W	recograin walnut, quarter cut, matte sheen <input type="checkbox"/>	-\$216

Recon Veneer -

For four box drawer (-B3)

98W	recograin walnut, flat cut, low sheen <input type="checkbox"/>	-\$216
99K	recograin oak, quarter cut, low sheen <input type="checkbox"/>	-\$216
99W	recograin walnut, quarter cut, low sheen <input type="checkbox"/>	-\$216

Premium Veneer - Low Sheen

For box, box, file (-B4)

931	champagne anigre (natural) <input type="checkbox"/>	+\$1556
932	sundance anigre <input type="checkbox"/>	+\$1556
933	caramel anigre <input type="checkbox"/>	+\$1556
934	henna anigre <input type="checkbox"/>	+\$1556
941	natural beech <input type="checkbox"/>	+\$0
942	sundance cherry (natural) <input type="checkbox"/>	+\$0
943	caramel cherry <input type="checkbox"/>	+\$0
946	cocoa cherry <input type="checkbox"/>	+\$0
951	natural anigre <input type="checkbox"/>	+\$1556
956	cocoa sapele <input type="checkbox"/>	+\$0
962	toasted walnut, low sheen <input type="checkbox"/>	+\$0
963	charred walnut, low sheen <input type="checkbox"/>	+\$0
964	bronzed walnut, low sheen <input type="checkbox"/>	+\$0
965	smoked walnut, low sheen <input type="checkbox"/>	+\$0
966	coffee walnut, low sheen <input type="checkbox"/>	+\$0
967	smoked paldao, low sheen <input type="checkbox"/>	+\$584
969	warm paldao, low sheen <input type="checkbox"/>	+\$584
977	chocolate ash, low sheen <input type="checkbox"/>	+\$0
978	natural oak <input type="checkbox"/>	+\$0
981	champagne hickory (natural) <input type="checkbox"/>	+\$0
98R	recograin rosewood <input type="checkbox"/>	+\$0
991	champagne ash <input type="checkbox"/>	+\$0
998	ebony ash <input type="checkbox"/>	+\$0
99A	recograin frosty ash <input type="checkbox"/>	+\$0
99R	recograin rosewood <input type="checkbox"/>	+\$0
99T	recograin teak <input type="checkbox"/>	+\$0
9A1	white ash, quarter cut, low sheen <input type="checkbox"/>	+\$0
9K1	rift oak, rift cut, low sheen <input type="checkbox"/>	+\$0
9K6	burnt oak, rift cut, low sheen <input type="checkbox"/>	+\$0
G2U	light brown walnut, low sheen <input type="checkbox"/>	+\$0
G40	dark brown walnut, low sheen <input type="checkbox"/>	+\$0

Sled Base Mobile Pedestal *continued*

HermanMiller Ancillary—Storage

Premium Veneer - Matte

For box, box, file (-B4)

662	toasted walnut, matte sheen	A	+\$0
663	charred walnut, matte sheen	A	+\$0
664	bronzed walnut, matte sheen	A	+\$0
665	smoked walnut, matte sheen	A	+\$0
666	coffee walnut, matte sheen	A	+\$0
667	smoked paldao, quarter cut, matte sheen	A	+\$584
669	warm paldao, quarter cut, matte sheen	A	+\$584
66A	recograin frosty ash	A	+\$0
677	chocolate ash, matte sheen	A	+\$0
678	natural oak	A	+\$0
68R	recograin rosewood	A	+\$0
69A	recograin frosty ash	A	+\$0
69R	recograin rosewood	A	+\$0
69T	recograin teak	A	+\$0
6A1	white ash	A	+\$0
6K1	rift oak	A	+\$0
6K6	burnt oak	A	+\$0
ET	clear on ash	A	+\$0
EU	oak on ash	A	+\$0
EV	walnut on ash	A	+\$0
GOU	natural walnut, flat cut, matte sheen	A	+\$0

RecoGrain Veneer

For box, box, file (-B4)

68W	recograin walnut, flat cut, matte sheen	A	-\$195
69K	recograin oak, quarter cut, matte sheen	A	-\$195
69W	recograin walnut, quarter cut, matte sheen	A	-\$195

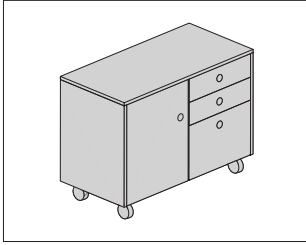
Recon Veneer -

For box, box, file (-B4)

98W	recograin walnut, flat cut, low sheen	A	-\$195
99K	recograin oak, quarter cut, low sheen	A	-\$195
99W	recograin walnut, quarter cut, low sheen	A	-\$195

Step 5. Metal Finish

CHR	chrome	A	+\$0
SAC	satin chrome	A	+\$0



Product Information

Description

This two-unit wide mobile pedestal has a wood top with metal frame. The casters are black with a silver yoke and no brake. Drawers include wood boxes and self-closing hidden drawer slides. Ward Bennett Flip pulls come in matching metal finish.

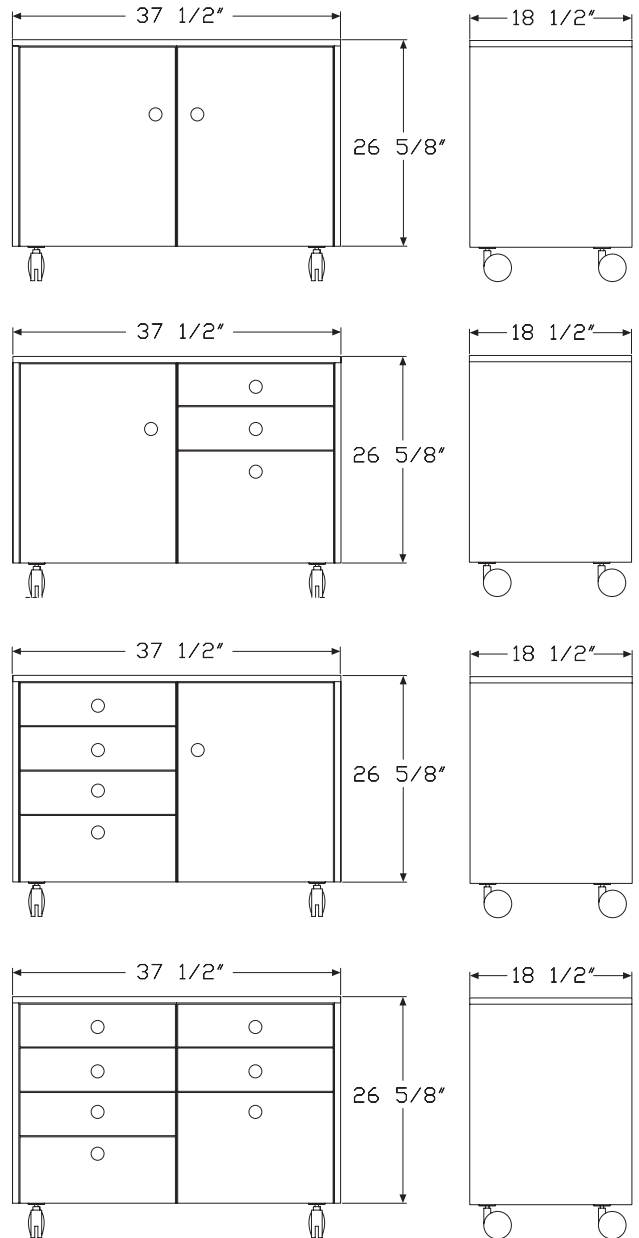
Notes

Mobile credenzas ship assembled.

B3 and B4 box drawers include pencil tray and felt lining in bottom of top drawer.

Santos palisander veneer is celebrated for its unique grain and color variations. Similar products ordered in multiples or dissimilar products ordered separately should be expected to have variation in both grain and color characteristics; no two products will look exactly alike.

Dimensions



Specification Information

Step 1.

JMS2

Step 2. Size

-1938 18½" deep x 37½" wide x 26⅝" high

Step 3. Configuration

-B2B2 two doors

-B2B4 single door left, BBF right

-B3B2 four drawers left, single door right

-B3B4 four drawers left, BBF right

Prices for Steps 1-3.

JMS2-1938	-B2B2	\$8569
	-B2B4	\$9635
	-B3B2	\$10296
	-B3B4	\$11360

Step 4. Wood Finish

Premium Veneer - Low Sheen

For two doors (-B2B2)

931	champagne anigre (natural) <input type="checkbox"/>	+\$2158
932	sundance anigre <input type="checkbox"/>	+\$2158
933	caramel anigre <input type="checkbox"/>	+\$2158
934	henna anigre <input type="checkbox"/>	+\$2158
941	natural beech <input type="checkbox"/>	+\$0
942	sundance cherry (natural) <input type="checkbox"/>	+\$0
943	caramel cherry <input type="checkbox"/>	+\$0
946	cocoa cherry <input type="checkbox"/>	+\$0
951	natural anigre <input type="checkbox"/>	+\$2158
956	cocoa sapele <input type="checkbox"/>	+\$0
962	toasted walnut, low sheen <input type="checkbox"/>	+\$0
963	charred walnut, low sheen <input type="checkbox"/>	+\$0
964	bronzed walnut, low sheen <input type="checkbox"/>	+\$0
965	smoked walnut, low sheen <input type="checkbox"/>	+\$0
966	coffee walnut, low sheen <input type="checkbox"/>	+\$0
967	smoked paldao, low sheen <input type="checkbox"/>	+\$809
969	warm paldao, low sheen <input type="checkbox"/>	+\$809
977	chocolate ash, low sheen <input type="checkbox"/>	+\$0
978	natural oak <input type="checkbox"/>	+\$0
981	champagne hickory (natural) <input type="checkbox"/>	+\$0
98R	recograin rosewood <input type="checkbox"/>	+\$0
991	champagne ash <input type="checkbox"/>	+\$0
998	ebony ash <input type="checkbox"/>	+\$0
99A	recograin frosty ash <input type="checkbox"/>	+\$0
99R	recograin rosewood <input type="checkbox"/>	+\$0
99T	recograin teak <input type="checkbox"/>	+\$0
9A1	white ash, quarter cut, low sheen <input type="checkbox"/>	+\$0
9K1	rift oak, rift cut, low sheen <input type="checkbox"/>	+\$0
9K6	burnt oak, rift cut, low sheen <input type="checkbox"/>	+\$0
G2U	light brown walnut, low sheen <input type="checkbox"/>	+\$0
G40	dark brown walnut, low sheen <input type="checkbox"/>	+\$0

Premium Veneer - Matte

For two doors (-B2B2)

662	toasted walnut, matte sheen <input type="checkbox"/>	+\$0
663	charred walnut, matte sheen <input type="checkbox"/>	+\$0
664	bronzed walnut, matte sheen <input type="checkbox"/>	+\$0
665	smoked walnut, matte sheen <input type="checkbox"/>	+\$0
666	coffee walnut, matte sheen <input type="checkbox"/>	+\$0
667	smoked paldao, quarter cut, matte sheen <input type="checkbox"/>	+\$809
669	warm paldao, quarter cut, matte sheen <input type="checkbox"/>	+\$809
66A	recograin frosty ash <input type="checkbox"/>	+\$0
677	chocolate ash, matte sheen <input type="checkbox"/>	+\$0
678	natural oak <input type="checkbox"/>	+\$0
68R	recograin rosewood <input type="checkbox"/>	+\$0
69A	recograin frosty ash <input type="checkbox"/>	+\$0
69R	recograin rosewood <input type="checkbox"/>	+\$0
69T	recograin teak <input type="checkbox"/>	+\$0
6A1	white ash <input type="checkbox"/>	+\$0
6K1	rift oak <input type="checkbox"/>	+\$0
6K6	burnt oak <input type="checkbox"/>	+\$0
ET	clear on ash <input type="checkbox"/>	+\$0
EU	oak on ash <input type="checkbox"/>	+\$0
EV	walnut on ash <input type="checkbox"/>	+\$0
GOU	natural walnut, flat cut, matte sheen <input type="checkbox"/>	+\$0

RecoGrain Veneer

For two doors (-B2B2)

68W	recograin walnut, flat cut, matte sheen <input type="checkbox"/>	-\$270
69K	recograin oak, quarter cut, matte sheen <input type="checkbox"/>	-\$270
69W	recograin walnut, quarter cut, matte sheen <input type="checkbox"/>	-\$270

Recon Veneer -

For two doors (-B2B2)

98W	recograin walnut, flat cut, low sheen <input type="checkbox"/>	-\$270
99K	recograin oak, quarter cut, low sheen <input type="checkbox"/>	-\$270
99W	recograin walnut, quarter cut, low sheen <input type="checkbox"/>	-\$270

Premium Veneer - Low Sheen

For single door left, BBF right (-B2B4)

931	champagne anigre (natural) <input type="checkbox"/>	+\$2426
932	sundance anigre <input type="checkbox"/>	+\$2426
933	caramel anigre <input type="checkbox"/>	+\$2426
934	henna anigre <input type="checkbox"/>	+\$2426
941	natural beech <input type="checkbox"/>	+\$0
942	sundance cherry (natural) <input type="checkbox"/>	+\$0
943	caramel cherry <input type="checkbox"/>	+\$0
946	cocoa cherry <input type="checkbox"/>	+\$0
951	natural anigre <input type="checkbox"/>	+\$2426
956	cocoa sapele <input type="checkbox"/>	+\$0
962	toasted walnut, low sheen <input type="checkbox"/>	+\$0
963	charred walnut, low sheen <input type="checkbox"/>	+\$0
964	bronzed walnut, low sheen <input type="checkbox"/>	+\$0
965	smoked walnut, low sheen <input type="checkbox"/>	+\$0
966	coffee walnut, low sheen <input type="checkbox"/>	+\$0
967	smoked paldao, low sheen <input type="checkbox"/>	+\$910
969	warm paldao, low sheen <input type="checkbox"/>	+\$910
977	chocolate ash, low sheen <input type="checkbox"/>	+\$0
978	natural oak <input type="checkbox"/>	+\$0
981	champagne hickory (natural) <input type="checkbox"/>	+\$0
98R	recograin rosewood <input type="checkbox"/>	+\$0
991	champagne ash <input type="checkbox"/>	+\$0
998	ebony ash <input type="checkbox"/>	+\$0
99A	recograin frosty ash <input type="checkbox"/>	+\$0
99R	recograin rosewood <input type="checkbox"/>	+\$0
99T	recograin teak <input type="checkbox"/>	+\$0
9A1	white ash, quarter cut, low sheen <input type="checkbox"/>	+\$0
9K1	rift oak, rift cut, low sheen <input type="checkbox"/>	+\$0
9K6	burnt oak, rift cut, low sheen <input type="checkbox"/>	+\$0
G2U	light brown walnut, low sheen <input type="checkbox"/>	+\$0
G40	dark brown walnut, low sheen <input type="checkbox"/>	+\$0

Sled Base Mobile Credenza *continued*

HermanMiller Ancillary—Storage

Premium Veneer - Matte

For single door left, BBF right (-B2B4)

662	toasted walnut, matte sheen <input type="checkbox"/>	+\$0
663	charred walnut, matte sheen <input type="checkbox"/>	+\$0
664	bronzed walnut, matte sheen <input type="checkbox"/>	+\$0
665	smoked walnut, matte sheen <input type="checkbox"/>	+\$0
666	coffee walnut, matte sheen <input type="checkbox"/>	+\$0
667	smoked paldao, quarter cut, matte sheen <input type="checkbox"/>	+\$910
669	warm paldao, quarter cut, matte sheen <input type="checkbox"/>	+\$910
66A	recograin frosty ash <input type="checkbox"/>	+\$0
677	chocolate ash, matte sheen <input type="checkbox"/>	+\$0
678	natural oak <input type="checkbox"/>	+\$0
68R	recograin rosewood <input type="checkbox"/>	+\$0
69A	recograin frosty ash <input type="checkbox"/>	+\$0
69R	recograin rosewood <input type="checkbox"/>	+\$0
69T	recograin teak <input type="checkbox"/>	+\$0
6A1	white ash <input type="checkbox"/>	+\$0
6K1	rift oak <input type="checkbox"/>	+\$0
6K6	burnt oak <input type="checkbox"/>	+\$0
ET	clear on ash <input type="checkbox"/>	+\$0
EU	oak on ash <input type="checkbox"/>	+\$0
EV	walnut on ash <input type="checkbox"/>	+\$0
GOU	natural walnut, flat cut, matte sheen <input type="checkbox"/>	+\$0

RecoGrain Veneer

For single door left, BBF right (-B2B4)

68W	recograin walnut, flat cut, matte sheen <input type="checkbox"/>	-\$304
69K	recograin oak, quarter cut, matte sheen <input type="checkbox"/>	-\$304
69W	recograin walnut, quarter cut, matte sheen <input type="checkbox"/>	-\$304

Recon Veneer -

For single door left, BBF right (-B2B4)

98W	recograin walnut, flat cut, low sheen <input type="checkbox"/>	-\$304
99K	recograin oak, quarter cut, low sheen <input type="checkbox"/>	-\$304
99W	recograin walnut, quarter cut, low sheen <input type="checkbox"/>	-\$304

Premium Veneer - Low Sheen

For four drawers left, single door right (-B3B2)

931	champagne anigre (natural) <input type="checkbox"/>	+\$2592
932	sundance anigre <input type="checkbox"/>	+\$2592
933	caramel anigre <input type="checkbox"/>	+\$2592
934	henna anigre <input type="checkbox"/>	+\$2592
941	natural beech <input type="checkbox"/>	+\$0
942	sundance cherry (natural) <input type="checkbox"/>	+\$0
943	caramel cherry <input type="checkbox"/>	+\$0
946	cocoa cherry <input type="checkbox"/>	+\$0
951	natural anigre <input type="checkbox"/>	+\$2592
956	cocoa sapele <input type="checkbox"/>	+\$0
962	toasted walnut, low sheen <input type="checkbox"/>	+\$0
963	charred walnut, low sheen <input type="checkbox"/>	+\$0
964	bronzed walnut, low sheen <input type="checkbox"/>	+\$0
965	smoked walnut, low sheen <input type="checkbox"/>	+\$0
966	coffee walnut, low sheen <input type="checkbox"/>	+\$0
967	smoked paldao, low sheen <input type="checkbox"/>	+\$972
969	warm paldao, low sheen <input type="checkbox"/>	+\$972
977	chocolate ash, low sheen <input type="checkbox"/>	+\$0
978	natural oak <input type="checkbox"/>	+\$0
981	champagne hickory (natural) <input type="checkbox"/>	+\$0
98R	recograin rosewood <input type="checkbox"/>	+\$0
991	champagne ash <input type="checkbox"/>	+\$0
998	ebony ash <input type="checkbox"/>	+\$0
99A	recograin frosty ash <input type="checkbox"/>	+\$0
99R	recograin rosewood <input type="checkbox"/>	+\$0
99T	recograin teak <input type="checkbox"/>	+\$0
9A1	white ash, quarter cut, low sheen <input type="checkbox"/>	+\$0
9K1	rift oak, rift cut, low sheen <input type="checkbox"/>	+\$0
9K6	burnt oak, rift cut, low sheen <input type="checkbox"/>	+\$0
G2U	light brown walnut, low sheen <input type="checkbox"/>	+\$0
G40	dark brown walnut, low sheen <input type="checkbox"/>	+\$0

Premium Veneer - Matte

For four drawers left, single door right (-B3B2)

662	toasted walnut, matte sheen <input type="checkbox"/>	+\$0
663	charred walnut, matte sheen <input type="checkbox"/>	+\$0
664	bronzed walnut, matte sheen <input type="checkbox"/>	+\$0
665	smoked walnut, matte sheen <input type="checkbox"/>	+\$0
666	coffee walnut, matte sheen <input type="checkbox"/>	+\$0
667	smoked paldao, quarter cut, matte sheen <input type="checkbox"/>	+\$972
669	warm paldao, quarter cut, matte sheen <input type="checkbox"/>	+\$972
66A	recoGrain frosty ash <input type="checkbox"/>	+\$0
677	chocolate ash, matte sheen <input type="checkbox"/>	+\$0
678	natural oak <input type="checkbox"/>	+\$0
68R	recoGrain rosewood <input type="checkbox"/>	+\$0
69A	recoGrain frosty ash <input type="checkbox"/>	+\$0
69R	recoGrain rosewood <input type="checkbox"/>	+\$0
69T	recoGrain teak <input type="checkbox"/>	+\$0
6A1	white ash <input type="checkbox"/>	+\$0
6K1	rift oak <input type="checkbox"/>	+\$0
6K6	burnt oak <input type="checkbox"/>	+\$0
ET	clear on ash <input type="checkbox"/>	+\$0
EU	oak on ash <input type="checkbox"/>	+\$0
EV	walnut on ash <input type="checkbox"/>	+\$0
GOU	natural walnut, flat cut, matte sheen <input type="checkbox"/>	+\$0

RecoGrain Veneer

For four drawers left, single door right (-B3B2)

68W	recoGrain walnut, flat cut, matte sheen <input type="checkbox"/>	-\$324
69K	recoGrain oak, quarter cut, matte sheen <input type="checkbox"/>	-\$324
69W	recoGrain walnut, quarter cut, matte sheen <input type="checkbox"/>	-\$324

Recon Veneer -

For four drawers left, single door right (-B3B2)

98W	recoGrain walnut, flat cut, low sheen <input type="checkbox"/>	-\$324
99K	recoGrain oak, quarter cut, low sheen <input type="checkbox"/>	-\$324
99W	recoGrain walnut, quarter cut, low sheen <input type="checkbox"/>	-\$324

Premium Veneer - Low Sheen

For four drawers left, BBF right (-B3B4)

931	champagne anigre (natural) <input type="checkbox"/>	+\$2860
932	sundance anigre <input type="checkbox"/>	+\$2860
933	caramel anigre <input type="checkbox"/>	+\$2860
934	henna anigre <input type="checkbox"/>	+\$2860
941	natural beech <input type="checkbox"/>	+\$0
942	sundance cherry (natural) <input type="checkbox"/>	+\$0
943	caramel cherry <input type="checkbox"/>	+\$0
946	cocoa cherry <input type="checkbox"/>	+\$0
951	natural anigre <input type="checkbox"/>	+\$2860
956	cocoa sapele <input type="checkbox"/>	+\$0
962	toasted walnut, low sheen <input type="checkbox"/>	+\$0
963	charred walnut, low sheen <input type="checkbox"/>	+\$0
964	bronzed walnut, low sheen <input type="checkbox"/>	+\$0
965	smoked walnut, low sheen <input type="checkbox"/>	+\$0
966	coffee walnut, low sheen <input type="checkbox"/>	+\$0
967	smoked paldao, low sheen <input type="checkbox"/>	+\$1073
969	warm paldao, low sheen <input type="checkbox"/>	+\$1073
977	chocolate ash, low sheen <input type="checkbox"/>	+\$0
978	natural oak <input type="checkbox"/>	+\$0
981	champagne hickory (natural) <input type="checkbox"/>	+\$0
98R	recoGrain rosewood <input type="checkbox"/>	+\$0
991	champagne ash <input type="checkbox"/>	+\$0
998	ebony ash <input type="checkbox"/>	+\$0
99A	recoGrain frosty ash <input type="checkbox"/>	+\$0
99R	recoGrain rosewood <input type="checkbox"/>	+\$0
99T	recoGrain teak <input type="checkbox"/>	+\$0
9A1	white ash, quarter cut, low sheen <input type="checkbox"/>	+\$0
9K1	rift oak, rift cut, low sheen <input type="checkbox"/>	+\$0
9K6	burnt oak, rift cut, low sheen <input type="checkbox"/>	+\$0
G2U	light brown walnut, low sheen <input type="checkbox"/>	+\$0
G40	dark brown walnut, low sheen <input type="checkbox"/>	+\$0

Sled Base Mobile Credenza *continued*

HermanMiller Ancillary—Storage

Premium Veneer - Matte

For four drawers left, BBF right (-B3B4)

662	toasted walnut, matte sheen	A	+\$0
663	charred walnut, matte sheen	A	+\$0
664	bronzed walnut, matte sheen	A	+\$0
665	smoked walnut, matte sheen	A	+\$0
666	coffee walnut, matte sheen	A	+\$0
667	smoked paldao, quarter cut, matte sheen	A	+\$1073
669	warm paldao, quarter cut, matte sheen	A	+\$1073
66A	recograin frosty ash	A	+\$0
677	chocolate ash, matte sheen	A	+\$0
678	natural oak	A	+\$0
68R	recograin rosewood	A	+\$0
69A	recograin frosty ash	A	+\$0
69R	recograin rosewood	A	+\$0
69T	recograin teak	A	+\$0
6A1	white ash	A	+\$0
6K1	rift oak	A	+\$0
6K6	burnt oak	A	+\$0
ET	clear on ash	A	+\$0
EU	oak on ash	A	+\$0
EV	walnut on ash	A	+\$0
GOU	natural walnut, flat cut, matte sheen	A	+\$0

RecoGrain Veneer

For four drawers left, BBF right (-B3B4)

68W	recograin walnut, flat cut, matte sheen	A	-\$358
69K	recograin oak, quarter cut, matte sheen	A	-\$358
69W	recograin walnut, quarter cut, matte sheen	A	-\$358

Recon Veneer -

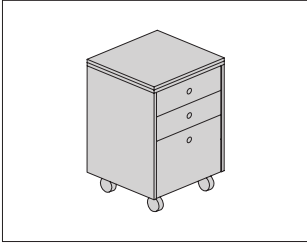
For four drawers left, BBF right (-B3B4)

98W	recograin walnut, flat cut, low sheen	A	-\$358
99K	recograin oak, quarter cut, low sheen	A	-\$358
99W	recograin walnut, quarter cut, low sheen	A	-\$358

Step 5. Metal Finish

CHR	chrome	A	+\$0
SAC	satin chrome	A	+\$0

Sled Base Mobile Pedestal Stone Top JMS1S



Product Information

Description

This one-unit wide mobile pedestal has a stone top with metal frame. Drawers include wood boxes and self-closing hidden drawer slides. The casters are black with a silver yoke and no brake. Ward Bennett Flip pull comes in matching metal finish.

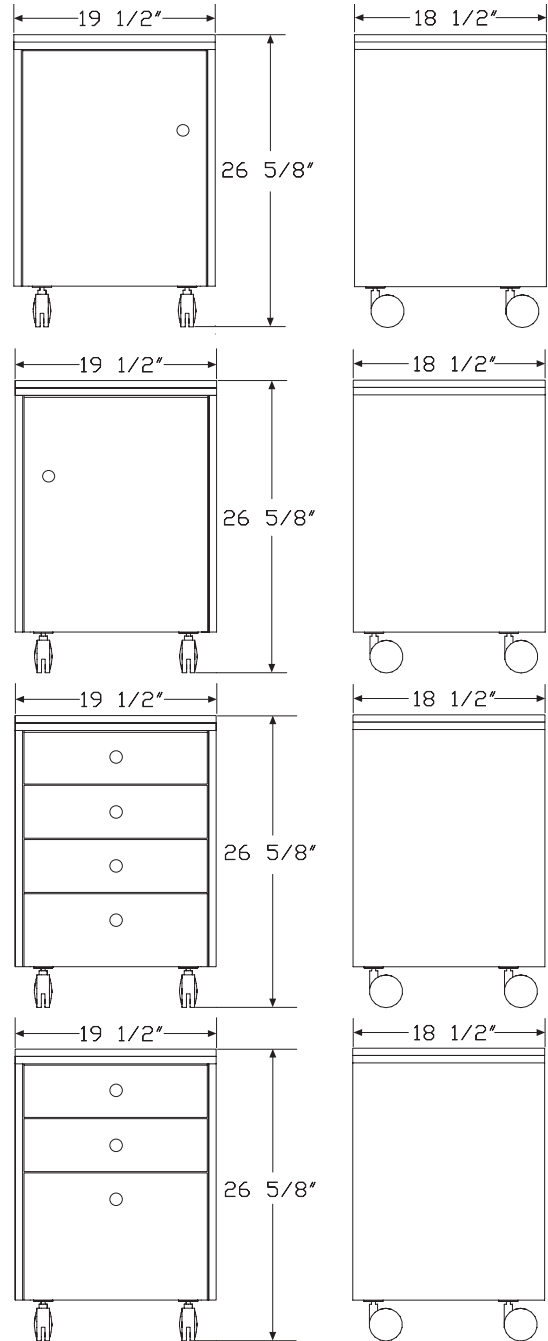
Notes

Mobile credenzas ship assembled.

B3 and B4 box drawers include pencil tray and felt lining in bottom of top drawer.

Santos palisander veneer is celebrated for its unique grain and color variations. Similar products ordered in multiples or dissimilar products ordered separately should be expected to have variation in both grain and color characteristics; no two products will look exactly alike.

Dimensions



Sled Base Mobile Pedestal Stone Top

continued

HermanMiller Ancillary--Storage

Specification Information

Step 1.

JMS1S

Step 2. Size

-1920 18½" deep x 19½" wide x 26⅝" high

Step 3. Configuration

-B2L single door, hinged left

-B2R single door, hinged right

-B3 four box drawer

-B4 box, box, file

Prices for Steps 1-3.

	-B2L	-B2R	-B3	-B4
JMS1S -1920	\$6786	6786	8505	7851

Step 4. Wood Finish

Premium Veneer - Low Sheen

For single door, hinged left (-B2L) or single door, hinged right (-B2R)

931	champagne anigre (natural) <input type="checkbox"/>	+\$1708
932	sundance anigre <input type="checkbox"/>	+\$1708
933	caramel anigre <input type="checkbox"/>	+\$1708
934	henna anigre <input type="checkbox"/>	+\$1708
941	natural beech <input type="checkbox"/>	+\$0
942	sundance cherry (natural) <input type="checkbox"/>	+\$0
943	caramel cherry <input type="checkbox"/>	+\$0
946	cocoa cherry <input type="checkbox"/>	+\$0
951	natural anigre <input type="checkbox"/>	+\$1708
956	cocoa sapele <input type="checkbox"/>	+\$0
962	toasted walnut, low sheen <input type="checkbox"/>	+\$0
963	charred walnut, low sheen <input type="checkbox"/>	+\$0
964	bronzed walnut, low sheen <input type="checkbox"/>	+\$0
965	smoked walnut, low sheen <input type="checkbox"/>	+\$0
966	coffee walnut, low sheen <input type="checkbox"/>	+\$0
967	smoked paldao, low sheen <input type="checkbox"/>	+\$641
969	warm paldao, low sheen <input type="checkbox"/>	+\$641
977	chocolate ash, low sheen <input type="checkbox"/>	+\$0
978	natural oak <input type="checkbox"/>	+\$0
981	champagne hickory (natural) <input type="checkbox"/>	+\$0
98R	recograin rosewood <input type="checkbox"/>	+\$0
991	champagne ash <input type="checkbox"/>	+\$0
998	ebony ash <input type="checkbox"/>	+\$0
99A	recograin frosty ash <input type="checkbox"/>	+\$0
99R	recograin rosewood <input type="checkbox"/>	+\$0
99T	recograin teak <input type="checkbox"/>	+\$0
9A1	white ash, quarter cut, low sheen <input type="checkbox"/>	+\$0
9K1	rift oak, rift cut, low sheen <input type="checkbox"/>	+\$0
9K6	burnt oak, rift cut, low sheen <input type="checkbox"/>	+\$0
G2U	light brown walnut, low sheen <input type="checkbox"/>	+\$0
G40	dark brown walnut, low sheen <input type="checkbox"/>	+\$0

Sled Base Mobile Pedestal Stone Top

continued

Premium Veneer - Matte

For single door, hinged left (-B2L) or single door, hinged right (-B2R)

662	toasted walnut, matte sheen <input type="checkbox"/>	+\$0
663	charred walnut, matte sheen <input type="checkbox"/>	+\$0
664	bronzed walnut, matte sheen <input type="checkbox"/>	+\$0
665	smoked walnut, matte sheen <input type="checkbox"/>	+\$0
666	coffee walnut, matte sheen <input type="checkbox"/>	+\$0
667	smoked paldao, quarter cut, matte sheen <input type="checkbox"/>	+\$641
669	warm paldao, quarter cut, matte sheen <input type="checkbox"/>	+\$641
66A	recograin frosty ash <input type="checkbox"/>	+\$0
677	chocolate ash, matte sheen <input type="checkbox"/>	+\$0
678	natural oak <input type="checkbox"/>	+\$0
68R	recograin rosewood <input type="checkbox"/>	+\$0
69A	recograin frosty ash <input type="checkbox"/>	+\$0
69R	recograin rosewood <input type="checkbox"/>	+\$0
69T	recograin teak <input type="checkbox"/>	+\$0
6A1	white ash <input type="checkbox"/>	+\$0
6K1	rift oak <input type="checkbox"/>	+\$0
6K6	burnt oak <input type="checkbox"/>	+\$0
ET	clear on ash <input type="checkbox"/>	+\$0
EU	oak on ash <input type="checkbox"/>	+\$0
EV	walnut on ash <input type="checkbox"/>	+\$0
GOU	natural walnut, flat cut, matte sheen <input type="checkbox"/>	+\$0

RecoGrain Veneer

For single door, hinged left (-B2L) or single door, hinged right (-B2R)

68W	recograin walnut, flat cut, matte sheen <input type="checkbox"/>	-\$214
69K	recograin oak, quarter cut, matte sheen <input type="checkbox"/>	-\$214
69W	recograin walnut, quarter cut, matte sheen <input type="checkbox"/>	-\$214

Recon Veneer -

For single door, hinged left (-B2L) or single door, hinged right (-B2R)

98W	recograin walnut, flat cut, low sheen <input type="checkbox"/>	-\$214
99K	recograin oak, quarter cut, low sheen <input type="checkbox"/>	-\$214
99W	recograin walnut, quarter cut, low sheen <input type="checkbox"/>	-\$214

Premium Veneer - Low Sheen

For four box drawer (-B3)

931	champagne anigre (natural) <input type="checkbox"/>	+\$2141
932	sundance anigre <input type="checkbox"/>	+\$2141
933	caramel anigre <input type="checkbox"/>	+\$2141
934	henna anigre <input type="checkbox"/>	+\$2141
941	natural beech <input type="checkbox"/>	+\$0
942	sundance cherry (natural) <input type="checkbox"/>	+\$0
943	caramel cherry <input type="checkbox"/>	+\$0
946	cocoa cherry <input type="checkbox"/>	+\$0
951	natural anigre <input type="checkbox"/>	+\$2141
956	cocoa sapele <input type="checkbox"/>	+\$0
962	toasted walnut, low sheen <input type="checkbox"/>	+\$0
963	charred walnut, low sheen <input type="checkbox"/>	+\$0
964	bronzed walnut, low sheen <input type="checkbox"/>	+\$0
965	smoked walnut, low sheen <input type="checkbox"/>	+\$0
966	coffee walnut, low sheen <input type="checkbox"/>	+\$0
967	smoked paldao, low sheen <input type="checkbox"/>	+\$803
969	warm paldao, low sheen <input type="checkbox"/>	+\$803
977	chocolate ash, low sheen <input type="checkbox"/>	+\$0
978	natural oak <input type="checkbox"/>	+\$0
981	champagne hickory (natural) <input type="checkbox"/>	+\$0
98R	recograin rosewood <input type="checkbox"/>	+\$0
991	champagne ash <input type="checkbox"/>	+\$0
998	ebony ash <input type="checkbox"/>	+\$0
99A	recograin frosty ash <input type="checkbox"/>	+\$0
99R	recograin rosewood <input type="checkbox"/>	+\$0
99T	recograin teak <input type="checkbox"/>	+\$0
9A1	white ash, quarter cut, low sheen <input type="checkbox"/>	+\$0
9K1	rift oak, rift cut, low sheen <input type="checkbox"/>	+\$0
9K6	burnt oak, rift cut, low sheen <input type="checkbox"/>	+\$0
G2U	light brown walnut, low sheen <input type="checkbox"/>	+\$0
G40	dark brown walnut, low sheen <input type="checkbox"/>	+\$0

Sled Base Mobile Pedestal Stone Top

continued

HermanMiller Ancillary—Storage

Premium Veneer - Matte

For four box drawer (-B3)

662	toasted walnut, matte sheen <input type="checkbox"/>	+\$0
663	charred walnut, matte sheen <input type="checkbox"/>	+\$0
664	bronzed walnut, matte sheen <input type="checkbox"/>	+\$0
665	smoked walnut, matte sheen <input type="checkbox"/>	+\$0
666	coffee walnut, matte sheen <input type="checkbox"/>	+\$0
667	smoked paldao, quarter cut, matte sheen <input type="checkbox"/>	+\$803
669	warm paldao, quarter cut, matte sheen <input type="checkbox"/>	+\$803
66A	recograin frosty ash <input type="checkbox"/>	+\$0
677	chocolate ash, matte sheen <input type="checkbox"/>	+\$0
678	natural oak <input type="checkbox"/>	+\$0
68R	recograin rosewood <input type="checkbox"/>	+\$0
69A	recograin frosty ash <input type="checkbox"/>	+\$0
69R	recograin rosewood <input type="checkbox"/>	+\$0
69T	recograin teak <input type="checkbox"/>	+\$0
6A1	white ash <input type="checkbox"/>	+\$0
6K1	rift oak <input type="checkbox"/>	+\$0
6K6	burnt oak <input type="checkbox"/>	+\$0
ET	clear on ash <input type="checkbox"/>	+\$0
EU	oak on ash <input type="checkbox"/>	+\$0
EV	walnut on ash <input type="checkbox"/>	+\$0
GOU	natural walnut, flat cut, matte sheen <input type="checkbox"/>	+\$0

RecoGrain Veneer

For four box drawer (-B3)

68W	recograin walnut, flat cut, matte sheen <input type="checkbox"/>	-\$268
69K	recograin oak, quarter cut, matte sheen <input type="checkbox"/>	-\$268
69W	recograin walnut, quarter cut, matte sheen <input type="checkbox"/>	-\$268

Recon Veneer -

For four box drawer (-B3)

98W	recograin walnut, flat cut, low sheen <input type="checkbox"/>	-\$268
99K	recograin oak, quarter cut, low sheen <input type="checkbox"/>	-\$268
99W	recograin walnut, quarter cut, low sheen <input type="checkbox"/>	-\$268

Premium Veneer - Low Sheen

For box, box, file (-B4)

931	champagne anigre (natural) <input type="checkbox"/>	+\$1976
932	sundance anigre <input type="checkbox"/>	+\$1976
933	caramel anigre <input type="checkbox"/>	+\$1976
934	henna anigre <input type="checkbox"/>	+\$1976
941	natural beech <input type="checkbox"/>	+\$0
942	sundance cherry (natural) <input type="checkbox"/>	+\$0
943	caramel cherry <input type="checkbox"/>	+\$0
946	cocoa cherry <input type="checkbox"/>	+\$0
951	natural anigre <input type="checkbox"/>	+\$1976
956	cocoa sapele <input type="checkbox"/>	+\$0
962	toasted walnut, low sheen <input type="checkbox"/>	+\$0
963	charred walnut, low sheen <input type="checkbox"/>	+\$0
964	bronzed walnut, low sheen <input type="checkbox"/>	+\$0
965	smoked walnut, low sheen <input type="checkbox"/>	+\$0
966	coffee walnut, low sheen <input type="checkbox"/>	+\$0
967	smoked paldao, low sheen <input type="checkbox"/>	+\$741
969	warm paldao, low sheen <input type="checkbox"/>	+\$741
977	chocolate ash, low sheen <input type="checkbox"/>	+\$0
978	natural oak <input type="checkbox"/>	+\$0
981	champagne hickory (natural) <input type="checkbox"/>	+\$0
98R	recograin rosewood <input type="checkbox"/>	+\$0
991	champagne ash <input type="checkbox"/>	+\$0
998	ebony ash <input type="checkbox"/>	+\$0
99A	recograin frosty ash <input type="checkbox"/>	+\$0
99R	recograin rosewood <input type="checkbox"/>	+\$0
99T	recograin teak <input type="checkbox"/>	+\$0
9A1	white ash, quarter cut, low sheen <input type="checkbox"/>	+\$0
9K1	rift oak, rift cut, low sheen <input type="checkbox"/>	+\$0
9K6	burnt oak, rift cut, low sheen <input type="checkbox"/>	+\$0
G2U	light brown walnut, low sheen <input type="checkbox"/>	+\$0
G40	dark brown walnut, low sheen <input type="checkbox"/>	+\$0

Sled Base Mobile Pedestal Stone Top

continued

Premium Veneer - Matte

For box, box, file (-B4)

662	toasted walnut, matte sheen <input type="checkbox"/>	+\$0
663	charred walnut, matte sheen <input type="checkbox"/>	+\$0
664	bronzed walnut, matte sheen <input type="checkbox"/>	+\$0
665	smoked walnut, matte sheen <input type="checkbox"/>	+\$0
666	coffee walnut, matte sheen <input type="checkbox"/>	+\$0
667	smoked paldao, quarter cut, matte sheen <input type="checkbox"/>	+\$741
669	warm paldao, quarter cut, matte sheen <input type="checkbox"/>	+\$741
66A	recograin frosty ash <input type="checkbox"/>	+\$0
677	chocolate ash, matte sheen <input type="checkbox"/>	+\$0
678	natural oak <input type="checkbox"/>	+\$0
68R	recograin rosewood <input type="checkbox"/>	+\$0
69A	recograin frosty ash <input type="checkbox"/>	+\$0
69R	recograin rosewood <input type="checkbox"/>	+\$0
69T	recograin teak <input type="checkbox"/>	+\$0
6A1	white ash <input type="checkbox"/>	+\$0
6K1	rift oak <input type="checkbox"/>	+\$0
6K6	burnt oak <input type="checkbox"/>	+\$0
ET	clear on ash <input type="checkbox"/>	+\$0
EU	oak on ash <input type="checkbox"/>	+\$0
EV	walnut on ash <input type="checkbox"/>	+\$0
GOU	natural walnut, flat cut, matte sheen <input type="checkbox"/>	+\$0

RecoGrain Veneer

For box, box, file (-B4)

68W	recograin walnut, flat cut, matte sheen <input type="checkbox"/>	-\$247
69K	recograin oak, quarter cut, matte sheen <input type="checkbox"/>	-\$247
69W	recograin walnut, quarter cut, matte sheen <input type="checkbox"/>	-\$247

Recon Veneer -

For box, box, file (-B4)

98W	recograin walnut, flat cut, low sheen <input type="checkbox"/>	-\$247
99K	recograin oak, quarter cut, low sheen <input type="checkbox"/>	-\$247
99W	recograin walnut, quarter cut, low sheen <input type="checkbox"/>	-\$247

Step 5. Stone or Marble Top

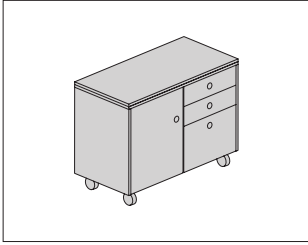
200	perfato marble <input type="checkbox"/>	+\$0
250	verde antique marble <input type="checkbox"/>	+\$0
400	black granite <input type="checkbox"/>	+\$0
5U	georgia grey marble <input type="checkbox"/>	+\$0
800	autumn brown granite <input type="checkbox"/>	+\$0
960	white carrara marble <input type="checkbox"/>	+\$0

Step 6. Metal Finish

CHR	chrome <input type="checkbox"/>	+\$0
SAC	satin chrome <input type="checkbox"/>	+\$0

Sled Base Mobile Credenza Stone Top

JMS2S



HermanMiller Ancillary--Storage

Product Information

Description

This two-unit wide mobile pedestal has a stone top with metal frame. The casters are black with a silver yoke and no brake. Drawers include wood boxes and self-closing hidden drawer slides. Ward Bennett Flip pulls come in matching metal finish.

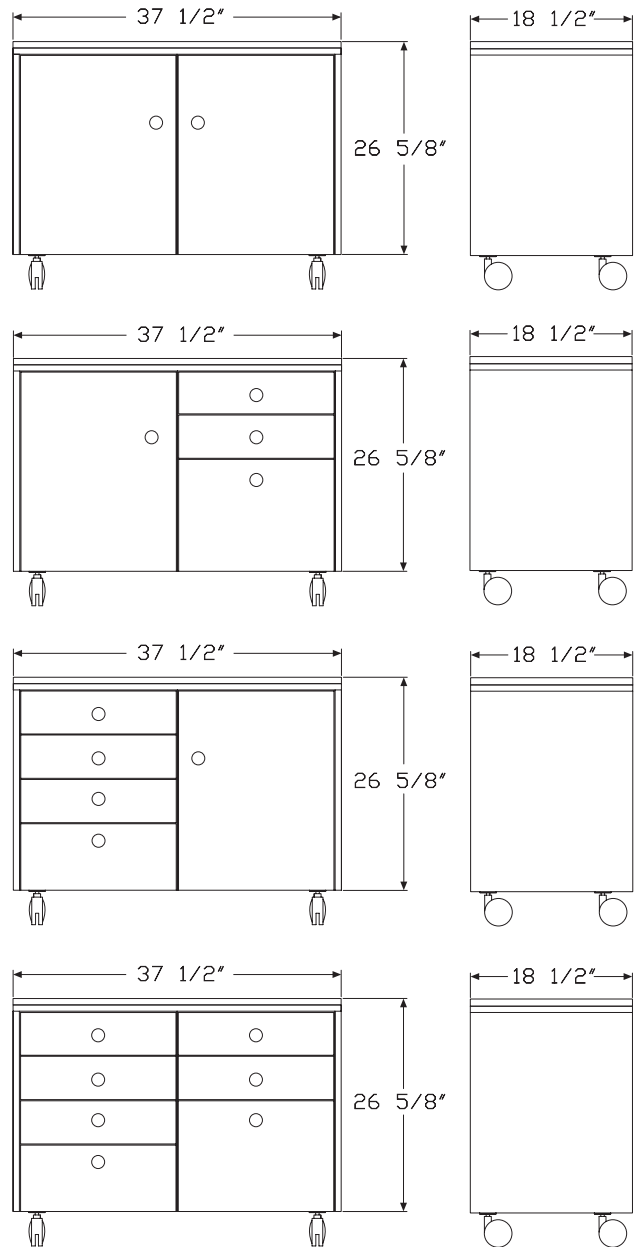
Notes

Mobile credenzas ship assembled.

B3 and B4 box drawers include pencil tray and felt lining in bottom of top drawer.

Santos palisander veneer is celebrated for its unique grain and color variations. Similar products ordered in multiples or dissimilar products ordered separately should be expected to have variation in both grain and color characteristics; no two products will look exactly alike.

Dimensions



Sled Base Mobile Credenza Stone

Top *continued*

Specification Information

Step 1.

JMS2S

Step 2. Size

-1938 18½" deep x 37½" wide x 26⅝" high

Step 3. Configuration

-B2B2 two doors

-B2B4 single door left, BBF right

-B3B2 four drawers left, single door right

-B3B4 four drawers left, BBF right

Prices for Steps 1-3.

	-B2B2	-B2B4	-B3B2	-B3B4
JMS2S -1938	\$11896	12963	13616	14689

Step 4. Wood Finish

Premium Veneer - Low Sheen

For two doors (-B2B2)

931	champagne anigre (natural) <input type="checkbox"/>	+\$2996
932	sundance anigre <input type="checkbox"/>	+\$2996
933	caramel anigre <input type="checkbox"/>	+\$2996
934	henna anigre <input type="checkbox"/>	+\$2996
941	natural beech <input type="checkbox"/>	+\$0
942	sundance cherry (natural) <input type="checkbox"/>	+\$0
943	caramel cherry <input type="checkbox"/>	+\$0
946	cocoa cherry <input type="checkbox"/>	+\$0
951	natural anigre <input type="checkbox"/>	+\$2996
956	cocoa sapele <input type="checkbox"/>	+\$0
962	toasted walnut, low sheen <input type="checkbox"/>	+\$0
963	charred walnut, low sheen <input type="checkbox"/>	+\$0
964	bronzed walnut, low sheen <input type="checkbox"/>	+\$0
965	smoked walnut, low sheen <input type="checkbox"/>	+\$0
966	coffee walnut, low sheen <input type="checkbox"/>	+\$0
967	smoked paldao, low sheen <input type="checkbox"/>	+\$1124
969	warm paldao, low sheen <input type="checkbox"/>	+\$1124
977	chocolate ash, low sheen <input type="checkbox"/>	+\$0
978	natural oak <input type="checkbox"/>	+\$0
981	champagne hickory (natural) <input type="checkbox"/>	+\$0
98R	recograin rosewood <input type="checkbox"/>	+\$0
991	champagne ash <input type="checkbox"/>	+\$0
998	ebony ash <input type="checkbox"/>	+\$0
99A	recograin frosty ash <input type="checkbox"/>	+\$0
99R	recograin rosewood <input type="checkbox"/>	+\$0
99T	recograin teak <input type="checkbox"/>	+\$0
9A1	white ash, quarter cut, low sheen <input type="checkbox"/>	+\$0
9K1	rift oak, rift cut, low sheen <input type="checkbox"/>	+\$0
9K6	burnt oak, rift cut, low sheen <input type="checkbox"/>	+\$0
G2U	light brown walnut, low sheen <input type="checkbox"/>	+\$0
G40	dark brown walnut, low sheen <input type="checkbox"/>	+\$0

Sled Base Mobile Credenza Stone

Top *continued*

HermanMiller Ancillary—Storage

Premium Veneer - Matte

For two doors (-B2B2)

662	toasted walnut, matte sheen <input type="checkbox"/>	+\$0
663	charred walnut, matte sheen <input type="checkbox"/>	+\$0
664	bronzed walnut, matte sheen <input type="checkbox"/>	+\$0
665	smoked walnut, matte sheen <input type="checkbox"/>	+\$0
666	coffee walnut, matte sheen <input type="checkbox"/>	+\$0
667	smoked paldao, quarter cut, matte sheen <input type="checkbox"/>	+\$1124
669	warm paldao, quarter cut, matte sheen <input type="checkbox"/>	+\$1124
66A	recograin frosty ash <input type="checkbox"/>	+\$0
677	chocolate ash, matte sheen <input type="checkbox"/>	+\$0
678	natural oak <input type="checkbox"/>	+\$0
68R	recograin rosewood <input type="checkbox"/>	+\$0
69A	recograin frosty ash <input type="checkbox"/>	+\$0
69R	recograin rosewood <input type="checkbox"/>	+\$0
69T	recograin teak <input type="checkbox"/>	+\$0
6A1	white ash <input type="checkbox"/>	+\$0
6K1	rift oak <input type="checkbox"/>	+\$0
6K6	burnt oak <input type="checkbox"/>	+\$0
ET	clear on ash <input type="checkbox"/>	+\$0
EU	oak on ash <input type="checkbox"/>	+\$0
EV	walnut on ash <input type="checkbox"/>	+\$0
GOU	natural walnut, flat cut, matte sheen <input type="checkbox"/>	+\$0

RecoGrain Veneer

For two doors (-B2B2)

68W	recograin walnut, flat cut, matte sheen <input type="checkbox"/>	-\$375
69K	recograin oak, quarter cut, matte sheen <input type="checkbox"/>	-\$375
69W	recograin walnut, quarter cut, matte sheen <input type="checkbox"/>	-\$375

Recon Veneer -

For two doors (-B2B2)

98W	recograin walnut, flat cut, low sheen <input type="checkbox"/>	-\$375
99K	recograin oak, quarter cut, low sheen <input type="checkbox"/>	-\$375
99W	recograin walnut, quarter cut, low sheen <input type="checkbox"/>	-\$375

Premium Veneer - Low Sheen

For single door left, BBF right (-B2B4)

931	champagne anigre (natural) <input type="checkbox"/>	+\$3264
932	sundance anigre <input type="checkbox"/>	+\$3264
933	caramel anigre <input type="checkbox"/>	+\$3264
934	henna anigre <input type="checkbox"/>	+\$3264
941	natural beech <input type="checkbox"/>	+\$0
942	sundance cherry (natural) <input type="checkbox"/>	+\$0
943	caramel cherry <input type="checkbox"/>	+\$0
946	cocoa cherry <input type="checkbox"/>	+\$0
951	natural anigre <input type="checkbox"/>	+\$3264
956	cocoa sapele <input type="checkbox"/>	+\$0
962	toasted walnut, low sheen <input type="checkbox"/>	+\$0
963	charred walnut, low sheen <input type="checkbox"/>	+\$0
964	bronzed walnut, low sheen <input type="checkbox"/>	+\$0
965	smoked walnut, low sheen <input type="checkbox"/>	+\$0
966	coffee walnut, low sheen <input type="checkbox"/>	+\$0
967	smoked paldao, low sheen <input type="checkbox"/>	+\$1224
969	warm paldao, low sheen <input type="checkbox"/>	+\$1224
977	chocolate ash, low sheen <input type="checkbox"/>	+\$0
978	natural oak <input type="checkbox"/>	+\$0
981	champagne hickory (natural) <input type="checkbox"/>	+\$0
98R	recograin rosewood <input type="checkbox"/>	+\$0
991	champagne ash <input type="checkbox"/>	+\$0
998	ebony ash <input type="checkbox"/>	+\$0
99A	recograin frosty ash <input type="checkbox"/>	+\$0
99R	recograin rosewood <input type="checkbox"/>	+\$0
99T	recograin teak <input type="checkbox"/>	+\$0
9A1	white ash, quarter cut, low sheen <input type="checkbox"/>	+\$0
9K1	rift oak, rift cut, low sheen <input type="checkbox"/>	+\$0
9K6	burnt oak, rift cut, low sheen <input type="checkbox"/>	+\$0
G2U	light brown walnut, low sheen <input type="checkbox"/>	+\$0
G40	dark brown walnut, low sheen <input type="checkbox"/>	+\$0

Sled Base Mobile Credenza Stone

Top *continued*

Premium Veneer - Matte

For single door left, BBF right (-B2B4)

662	toasted walnut, matte sheen <input type="checkbox"/>	+\$0
663	charred walnut, matte sheen <input type="checkbox"/>	+\$0
664	bronzed walnut, matte sheen <input type="checkbox"/>	+\$0
665	smoked walnut, matte sheen <input type="checkbox"/>	+\$0
666	coffee walnut, matte sheen <input type="checkbox"/>	+\$0
667	smoked paldao, quarter cut, matte sheen <input type="checkbox"/>	+\$1224
669	warm paldao, quarter cut, matte sheen <input type="checkbox"/>	+\$1224
66A	recograin frosty ash <input type="checkbox"/>	+\$0
677	chocolate ash, matte sheen <input type="checkbox"/>	+\$0
678	natural oak <input type="checkbox"/>	+\$0
68R	recograin rosewood <input type="checkbox"/>	+\$0
69A	recograin frosty ash <input type="checkbox"/>	+\$0
69R	recograin rosewood <input type="checkbox"/>	+\$0
69T	recograin teak <input type="checkbox"/>	+\$0
6A1	white ash <input type="checkbox"/>	+\$0
6K1	rift oak <input type="checkbox"/>	+\$0
6K6	burnt oak <input type="checkbox"/>	+\$0
ET	clear on ash <input type="checkbox"/>	+\$0
EU	oak on ash <input type="checkbox"/>	+\$0
EV	walnut on ash <input type="checkbox"/>	+\$0
GOU	natural walnut, flat cut, matte sheen <input type="checkbox"/>	+\$0

RecoGrain Veneer

For single door left, BBF right (-B2B4)

68W	recograin walnut, flat cut, matte sheen <input type="checkbox"/>	-\$408
69K	recograin oak, quarter cut, matte sheen <input type="checkbox"/>	-\$408
69W	recograin walnut, quarter cut, matte sheen <input type="checkbox"/>	-\$408

Recon Veneer -

For single door left, BBF right (-B2B4)

98W	recograin walnut, flat cut, low sheen <input type="checkbox"/>	-\$408
99K	recograin oak, quarter cut, low sheen <input type="checkbox"/>	-\$408
99W	recograin walnut, quarter cut, low sheen <input type="checkbox"/>	-\$408

Premium Veneer - Low Sheen

For four drawers left, single door right (-B3B2)

931	champagne anigre (natural) <input type="checkbox"/>	+\$3428
932	sundance anigre <input type="checkbox"/>	+\$3428
933	caramel anigre <input type="checkbox"/>	+\$3428
934	henna anigre <input type="checkbox"/>	+\$3428
941	natural beech <input type="checkbox"/>	+\$0
942	sundance cherry (natural) <input type="checkbox"/>	+\$0
943	caramel cherry <input type="checkbox"/>	+\$0
946	cocoa cherry <input type="checkbox"/>	+\$0
951	natural anigre <input type="checkbox"/>	+\$3428
956	cocoa sapele <input type="checkbox"/>	+\$0
962	toasted walnut, low sheen <input type="checkbox"/>	+\$0
963	charred walnut, low sheen <input type="checkbox"/>	+\$0
964	bronzed walnut, low sheen <input type="checkbox"/>	+\$0
965	smoked walnut, low sheen <input type="checkbox"/>	+\$0
966	coffee walnut, low sheen <input type="checkbox"/>	+\$0
967	smoked paldao, low sheen <input type="checkbox"/>	+\$1286
969	warm paldao, low sheen <input type="checkbox"/>	+\$1286
977	chocolate ash, low sheen <input type="checkbox"/>	+\$0
978	natural oak <input type="checkbox"/>	+\$0
981	champagne hickory (natural) <input type="checkbox"/>	+\$0
98R	recograin rosewood <input type="checkbox"/>	+\$0
991	champagne ash <input type="checkbox"/>	+\$0
998	ebony ash <input type="checkbox"/>	+\$0
99A	recograin frosty ash <input type="checkbox"/>	+\$0
99R	recograin rosewood <input type="checkbox"/>	+\$0
99T	recograin teak <input type="checkbox"/>	+\$0
9A1	white ash, quarter cut, low sheen <input type="checkbox"/>	+\$0
9K1	rift oak, rift cut, low sheen <input type="checkbox"/>	+\$0
9K6	burnt oak, rift cut, low sheen <input type="checkbox"/>	+\$0
G2U	light brown walnut, low sheen <input type="checkbox"/>	+\$0
G40	dark brown walnut, low sheen <input type="checkbox"/>	+\$0

Sled Base Mobile Credenza Stone

Top *continued*

HermanMiller Ancillary—Storage

Premium Veneer - Matte

For four drawers left, single door right (-B3B2)

662	toasted walnut, matte sheen <input type="checkbox"/>	+\$0
663	charred walnut, matte sheen <input type="checkbox"/>	+\$0
664	bronzed walnut, matte sheen <input type="checkbox"/>	+\$0
665	smoked walnut, matte sheen <input type="checkbox"/>	+\$0
666	coffee walnut, matte sheen <input type="checkbox"/>	+\$0
667	smoked paldao, quarter cut, matte sheen <input type="checkbox"/>	+\$1286
669	warm paldao, quarter cut, matte sheen <input type="checkbox"/>	+\$1286
66A	recograin frosty ash <input type="checkbox"/>	+\$0
677	chocolate ash, matte sheen <input type="checkbox"/>	+\$0
678	natural oak <input type="checkbox"/>	+\$0
68R	recograin rosewood <input type="checkbox"/>	+\$0
69A	recograin frosty ash <input type="checkbox"/>	+\$0
69R	recograin rosewood <input type="checkbox"/>	+\$0
69T	recograin teak <input type="checkbox"/>	+\$0
6A1	white ash <input type="checkbox"/>	+\$0
6K1	rift oak <input type="checkbox"/>	+\$0
6K6	burnt oak <input type="checkbox"/>	+\$0
ET	clear on ash <input type="checkbox"/>	+\$0
EU	oak on ash <input type="checkbox"/>	+\$0
EV	walnut on ash <input type="checkbox"/>	+\$0
GOU	natural walnut, flat cut, matte sheen <input type="checkbox"/>	+\$0

RecoGrain Veneer

For four drawers left, single door right (-B3B2)

68W	recograin walnut, flat cut, matte sheen <input type="checkbox"/>	-\$429
69K	recograin oak, quarter cut, matte sheen <input type="checkbox"/>	-\$429
69W	recograin walnut, quarter cut, matte sheen <input type="checkbox"/>	-\$429

Recon Veneer -

For four drawers left, single door right (-B3B2)

98W	recograin walnut, flat cut, low sheen <input type="checkbox"/>	-\$429
99K	recograin oak, quarter cut, low sheen <input type="checkbox"/>	-\$429
99W	recograin walnut, quarter cut, low sheen <input type="checkbox"/>	-\$429

Premium Veneer - Low Sheen

For four drawers left, BBF right (-B3B4)

931	champagne anigre (natural) <input type="checkbox"/>	+\$3699
932	sundance anigre <input type="checkbox"/>	+\$3699
933	caramel anigre <input type="checkbox"/>	+\$3699
934	henna anigre <input type="checkbox"/>	+\$3699
941	natural beech <input type="checkbox"/>	+\$0
942	sundance cherry (natural) <input type="checkbox"/>	+\$0
943	caramel cherry <input type="checkbox"/>	+\$0
946	cocoa cherry <input type="checkbox"/>	+\$0
951	natural anigre <input type="checkbox"/>	+\$3699
956	cocoa sapele <input type="checkbox"/>	+\$0
962	toasted walnut, low sheen <input type="checkbox"/>	+\$0
963	charred walnut, low sheen <input type="checkbox"/>	+\$0
964	bronzed walnut, low sheen <input type="checkbox"/>	+\$0
965	smoked walnut, low sheen <input type="checkbox"/>	+\$0
966	coffee walnut, low sheen <input type="checkbox"/>	+\$0
967	smoked paldao, low sheen <input type="checkbox"/>	+\$1387
969	warm paldao, low sheen <input type="checkbox"/>	+\$1387
977	chocolate ash, low sheen <input type="checkbox"/>	+\$0
978	natural oak <input type="checkbox"/>	+\$0
981	champagne hickory (natural) <input type="checkbox"/>	+\$0
98R	recograin rosewood <input type="checkbox"/>	+\$0
991	champagne ash <input type="checkbox"/>	+\$0
998	ebony ash <input type="checkbox"/>	+\$0
99A	recograin frosty ash <input type="checkbox"/>	+\$0
99R	recograin rosewood <input type="checkbox"/>	+\$0
99T	recograin teak <input type="checkbox"/>	+\$0
9A1	white ash, quarter cut, low sheen <input type="checkbox"/>	+\$0
9K1	rift oak, rift cut, low sheen <input type="checkbox"/>	+\$0
9K6	burnt oak, rift cut, low sheen <input type="checkbox"/>	+\$0
G2U	light brown walnut, low sheen <input type="checkbox"/>	+\$0
G40	dark brown walnut, low sheen <input type="checkbox"/>	+\$0

Sled Base Mobile Credenza Stone

Top *continued*

Premium Veneer - Matte

For four drawers left, BBF right (-B3B4)

662	toasted walnut, matte sheen <input type="checkbox"/>	+\$0
663	charred walnut, matte sheen <input type="checkbox"/>	+\$0
664	bronzed walnut, matte sheen <input type="checkbox"/>	+\$0
665	smoked walnut, matte sheen <input type="checkbox"/>	+\$0
666	coffee walnut, matte sheen <input type="checkbox"/>	+\$0
667	smoked paldao, quarter cut, matte sheen <input type="checkbox"/>	+\$1387
669	warm paldao, quarter cut, matte sheen <input type="checkbox"/>	+\$1387
66A	recograin frosty ash <input type="checkbox"/>	+\$0
677	chocolate ash, matte sheen <input type="checkbox"/>	+\$0
678	natural oak <input type="checkbox"/>	+\$0
68R	recograin rosewood <input type="checkbox"/>	+\$0
69A	recograin frosty ash <input type="checkbox"/>	+\$0
69R	recograin rosewood <input type="checkbox"/>	+\$0
69T	recograin teak <input type="checkbox"/>	+\$0
6A1	white ash <input type="checkbox"/>	+\$0
6K1	rift oak <input type="checkbox"/>	+\$0
6K6	burnt oak <input type="checkbox"/>	+\$0
ET	clear on ash <input type="checkbox"/>	+\$0
EU	oak on ash <input type="checkbox"/>	+\$0
EV	walnut on ash <input type="checkbox"/>	+\$0
GOU	natural walnut, flat cut, matte sheen <input type="checkbox"/>	+\$0

RecoGrain Veneer

For four drawers left, BBF right (-B3B4)

68W	recograin walnut, flat cut, matte sheen <input type="checkbox"/>	-\$463
69K	recograin oak, quarter cut, matte sheen <input type="checkbox"/>	-\$463
69W	recograin walnut, quarter cut, matte sheen <input type="checkbox"/>	-\$463

Recon Veneer -

For four drawers left, BBF right (-B3B4)

98W	recograin walnut, flat cut, low sheen <input type="checkbox"/>	-\$463
99K	recograin oak, quarter cut, low sheen <input type="checkbox"/>	-\$463
99W	recograin walnut, quarter cut, low sheen <input type="checkbox"/>	-\$463

Step 5. Stone or Marble Top

200	perfato marble <input type="checkbox"/>	+\$0
250	verde antique marble <input type="checkbox"/>	+\$0
400	black granite <input type="checkbox"/>	+\$0
5U	georgia grey marble <input type="checkbox"/>	+\$0
800	autumn brown granite <input type="checkbox"/>	+\$0
960	white carrara marble <input type="checkbox"/>	+\$0

Step 6. Metal Finish

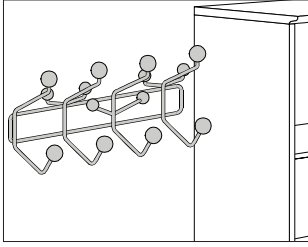
CHR	chrome <input type="checkbox"/>	+\$0
SAC	satin chrome <input type="checkbox"/>	+\$0

Accessories

Lighting

Eames® Hang-It-All®

HIA91
 HIABK
 HIAML
 HIAOU
 HIAPR
 HIAUL

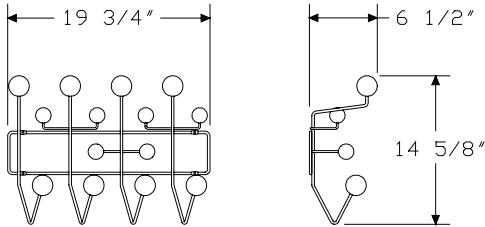


Product Information

Description

The Hang-It-All® frame is steel rod, available in white, black or dark blue. The black frame is available with solid wooden spheres in black or solid walnut. The white frame is available with either the multi-color option with 14 solid wooden spheres in 9 different colors: yellow, mustard, blue, green, red, pastel pink, bold pink, purple, and black, or the white option with solid wooden spheres in white or solid walnut. The dark blue frame is offered with solid maple spheres finished in a matte sheen. The Pride Edition is available with 14 solid wooden spheres in 7 different colors: red, orange, yellow, green, bright blue, purple, and black, and it also has a walnut sphere. Attachment hardware is included.

Dimensions



Specification Information

Step 1.

HIA

Step 2. Sphere Finish

91	white (CP)
BK	black
MLC	multi-color (multi-color spheres with white frame)
OU	walnut
PRD	pride edition
UL	natural maple

Step 3. Wire Finish

For multi-color (multi-color spheres with white frame) (MLC)

91 white (CP)

For white (CP) (91)

91 white (CP)

For black (BK)

BK black

For walnut (OU)

91 white (CP)

BK black

For natural maple (UL)

DBM dark blue maple

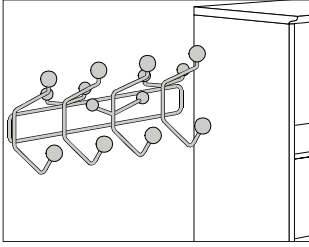
For pride edition (PRD)

91 white (CP)

Prices for Steps 1-3.

HIA91 91	\$268
HIABK BK	\$268
HIAMLC 91	\$316
HIAOU 91	\$425
BK	\$425
HIAPRD 91	\$316
HIAUL DBM	\$412

Eames® Hang-It-All® Herman Miller x HIAC.
HAY

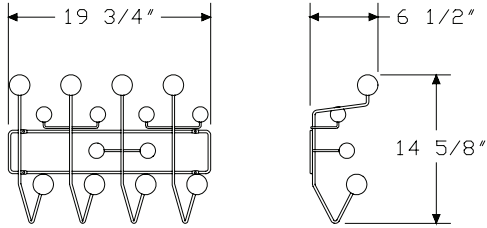


HermanMiller Ancillary--Accessories

Product Information

Description
The Hang-It-All® has solid wooden spheres on a steel rod frame. Attachment hardware is included.

Dimensions



Specification Information

Step 1.

HIAC. A

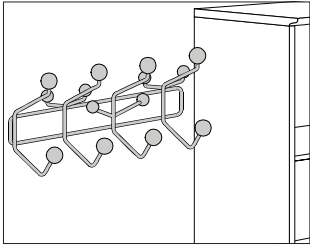
Step 2. Wire Finish

MNT mint green A

PDY powder yellow A

Prices for Steps 1-2.

HIAC.	MNT	\$516
	PDY	\$516



Product Information

Description

The Hang-It-All® has solid wooden spheres on a steel rod frame. Attachment hardware is included.

Notes

Red orange (ZE) frame comes with yellow gold spheres; stonewash (BQ) frame comes with red spheres.

Dimensions

Specification Information

Step 1.

HIAM. A

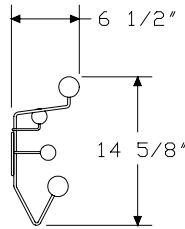
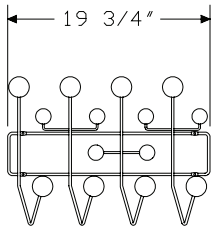
Step 2. Wire Finish

BQ stonewash A

Prices for Steps 1-2.

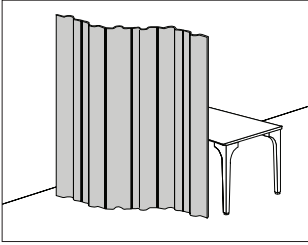
HIAM. BQ

\$316



Eames® Molded Plywood Folding
Screen

FSW.



HermanMiller Ancillary--Accessories

Product Information

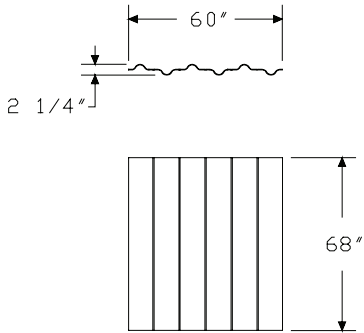
Description

This 6-paneled, 5-ply screen has natural face veneers with lightweight hardwood inner plies. It stands alone to create standing or seated privacy and divisions within an environment. Each molded plywood section is connected by woven polypropylene mesh.

Notes

Ebony (EN) option is stain on ash veneer; inner plies are not as visible.

Dimensions



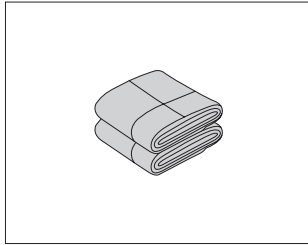
Specification Information

Step 1.

FSW. A \$4841

Step 2. Surface Finish

EN ebony A +\$0
OU walnut A +\$225
A2 white ash A +\$225

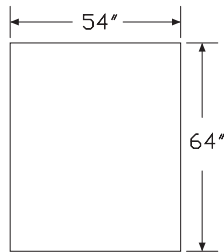


Product Information

Description

In the 1960's, Alexander Girard designed this richly hued throw blanket as part of an astounding 17,543 item brand identity system—from logo to lounge furniture to bag tags—for Braniff International Airways. The re-created designs are crafted from a blend of 82% naturally breathable, wrinkle resistant, high quality virgin wool and 18% cotton.

Dimensions



Specification Information

Step 1.

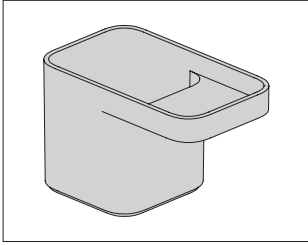
HA-GT \$496

Step 2. Finish

TLA	teal/aqua	+\$0
ORF	orange/fuchsia	+\$0
BKW	black/white	+\$0
NLW	natural/white	+\$0

Pencil Cup

CY100.



HermanMiller Ancillary--Accessories

Product Information

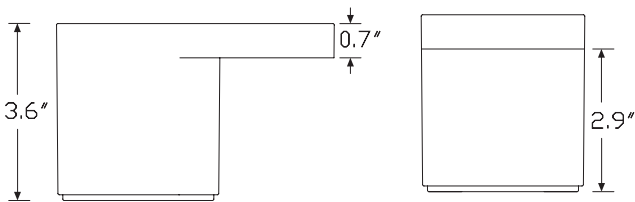
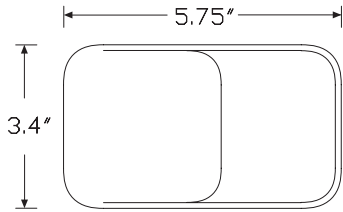
Description

The pencil cup is designed to hold pencils, pens, markers, and office tools. It also has an integrated ledge for convenient storage of other small items. It is crafted of high gloss ABS plastic with a silicone base.

Notes

Formwork® is a modular system of containers that may be arranged, stacked, and combined to best organize tools and accessories.

Dimensions



Specification Information

Step 1.

CY100. \$39

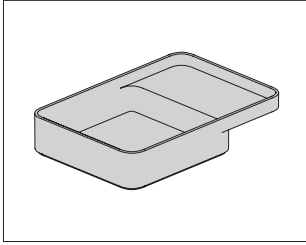
Step 2. Finish

CRT concrete +\$0

NYX onyx +\$0

Tray

CY101.



Product Information

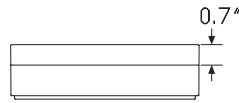
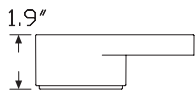
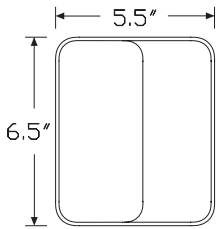
Description

These stackable trays are designed to hold small office tools and personal items, and have an integrated ledge for convenient storage of other objects such as business cards or a pad of sticky notes. They are crafted of high gloss ABS plastic with a silicone base.

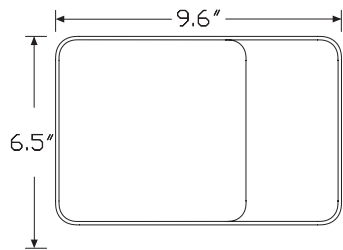
Notes

Formwork® is a modular system of containers that may be arranged, stacked, and combined to best organize tools and accessories.

Dimensions



Tray-Small



Tray-Large

Specification Information

Step 1.

CY101.

Step 2. Size

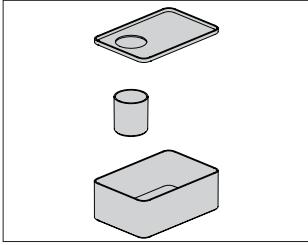
S small
L large

Prices for Steps 1-2.

CY101. S	\$41
L	\$49

Step 3. Finish

CRT concrete	+\$0
NYX onyx	+\$0



Product Information

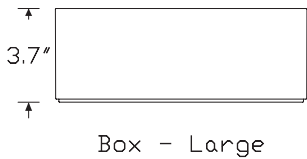
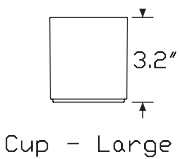
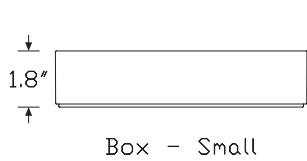
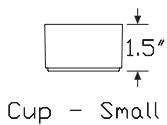
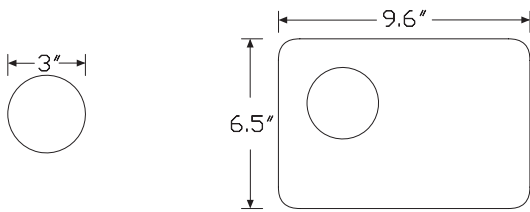
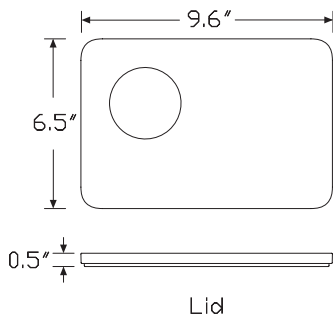
Description

These stackable boxes are designed to hold office tools and personal items, and have a cup for convenient storage of other objects such as paper clips, tacks, and loose change. They are crafted of high gloss ABS plastic with a silicone base.

Notes

Formwork® is a modular system of containers that may be arranged, stacked, and combined to best organize tools and accessories.

Dimensions



Specification Information

Step 1.

CY102.

Step 2. Size

S	small
L	large

Prices for Steps 1-2.

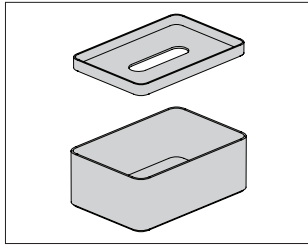
CY102. S	\$84
L	\$100

Step 3. Finish

CRT	concrete	+ \$0
NYX	onyx	+ \$0

Tissue Box

CY103.



Product Information

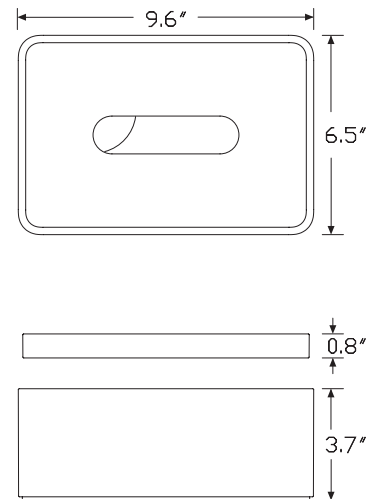
Description

The tissue box is crafted of high gloss ABS plastic with a silicone base.

Notes

Formwork® is a modular system of containers that may be arranged, stacked, and combined to best organize tools and accessories.

Dimensions



Specification Information

Step 1.

CY103. \$98

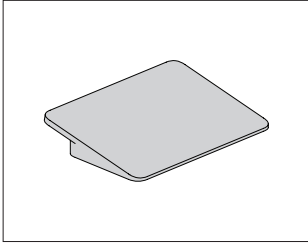
Step 2. Finish

CRT concrete +\$0

NYX onyx +\$0

Media Stand

CY104.



HermanMiller Ancillary--Accessories

Product Information

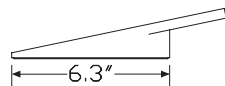
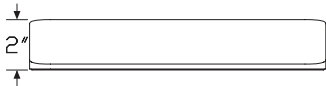
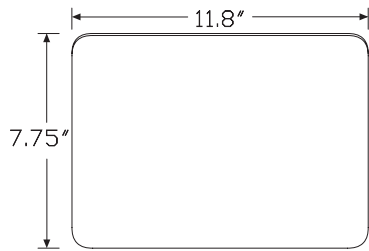
Description

The media stand supports tablets, notebooks, and small laptops. It is crafted of high gloss ABS plastic with a silicone top.

Notes

Formwork® is a modular system of containers that may be arranged, stacked, and combined to best organize tools and accessories.

Dimensions



Specification Information

Step 1.

CY104. \$105

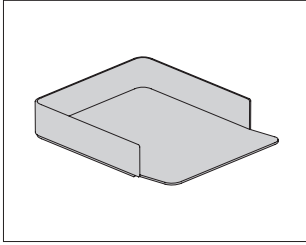
Step 2. Finish

CRT concrete +\$0

NYX onyx +\$0

Paper Tray

CY105.



Product Information

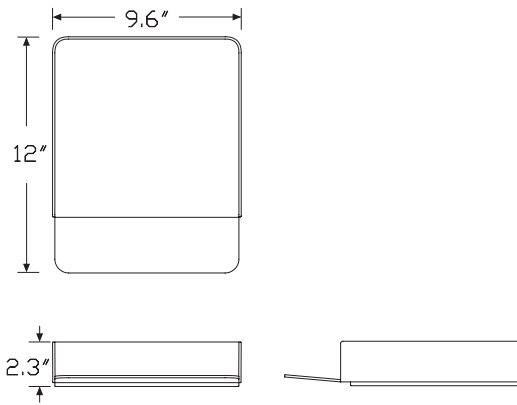
Description

This stackable paper tray is crafted of high gloss ABS plastic.

Notes

Formwork® is a modular system of containers that may be arranged, stacked, and combined to best organize tools and accessories.

Dimensions



Specification Information

Step 1.

CY105. \$47

Step 2. Finish

CRT concrete +\$0

NYX onyx +\$0

Environmental Enrichment Panel, EE535
Black and White

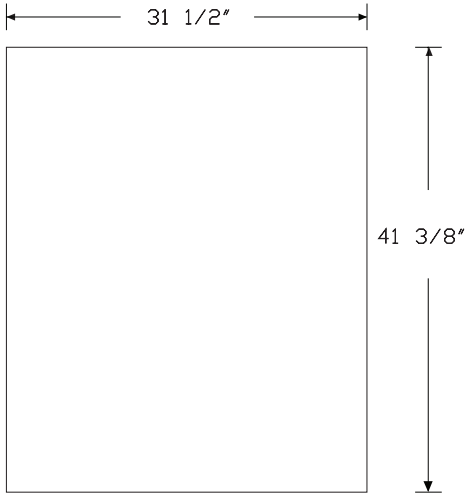


HermanMiller Ancillary--Accessories

Product Information

Description
This environmental enrichment panel is 31.5"x41.33" and is screen printed by hand on 100% linen fabric with serged edges. Finished option comes with a bracket and 2 dowel rods for mounting.

Dimensions



Specification Information

Step 1.

EE A

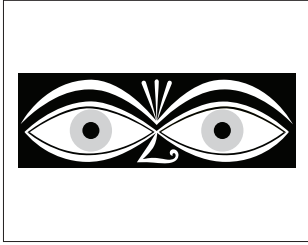
Step 2. Form

535 finished A

Prices for Steps 1-2.

EE535 \$724

Environmental Enrichment Panel, EE514
Eyes

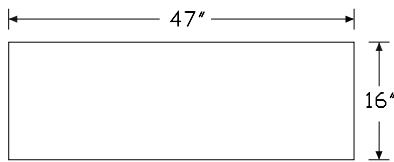


Product Information

Description

This environmental enrichment panel is 31.5"×18.35" and is screen printed by hand on 100% linen fabric with serged edges. Finished option comes with a bracket and 2 dowel rods for mounting.

Dimensions



Specification Information

Step 1.

EE A

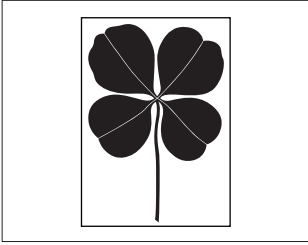
Step 2. Form

514 finished A

Prices for Steps 1-2.

EE514 \$759

Environmental Enrichment Panel, EE529
Four Leaf Clover



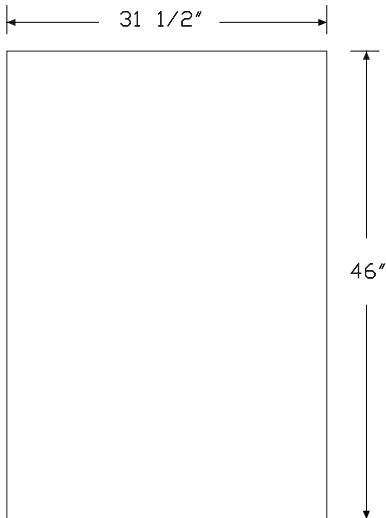
HermanMiller Ancillary--Accessories

Product Information

Description

This environmental enrichment panel is 31.5"x46" and is screen printed by hand on 100% linen fabric with serged edges. Finished option comes with a bracket and 2 dowel rods for mounting.

Dimensions



Specification Information

Step 1.

EE A

Step 2. Form

529 finished A

Prices for Steps 1-2.

EE529 \$759

Environmental Enrichment Panel,
Girls

EE501

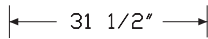
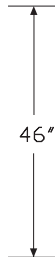


Product Information

Description

This environmental enrichment panel is 31.5"x46" and is screen printed by hand on 100% linen fabric with serged edges. Finished option comes with a bracket and 2 dowel rods for mounting.

Dimensions



Specification Information

Step 1.

EE A

Step 2. Form

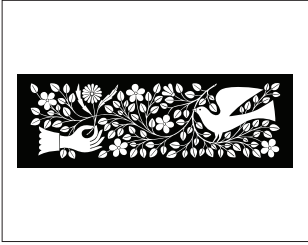
501 finished A

Prices for Steps 1-2.

EE501

\$1064

Environmental Enrichment Panel, EE507
Hand & Dove



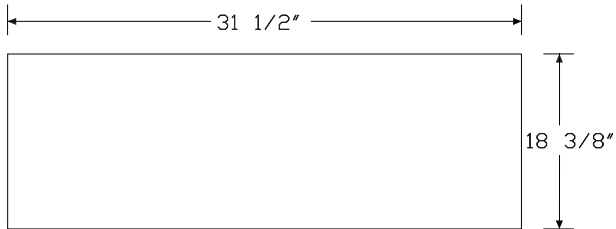
HermanMiller Ancillary--Accessories

Product Information

Description

This environmental enrichment panel is 31.5"x18.35" and is screen printed by hand on 100% linen fabric with serged edges. Finished option comes with a bracket and 2 dowel rods for mounting.

Dimensions



Specification Information

Step 1.

EE A

Step 2. Form

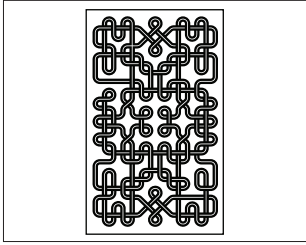
507 finished A

Prices for Steps 1-2.

EE507 \$759

Environmental Enrichment Panel,
Knot

EE532

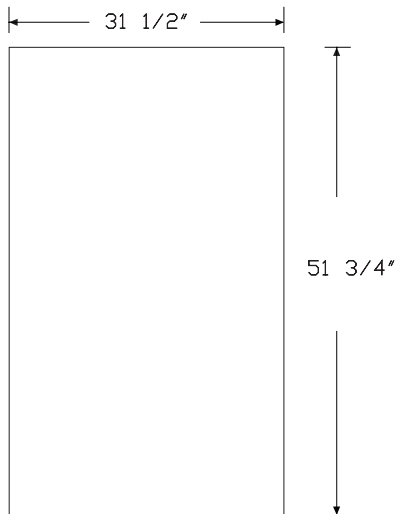


Product Information

Description

This environmental enrichment panel is 31.5"×51.68" and is screen printed by hand on 100% linen fabric with serged edges. Finished option comes with a bracket and 2 dowel rods for mounting.

Dimensions



Specification Information

Step 1.

EE A

Step 2. Form

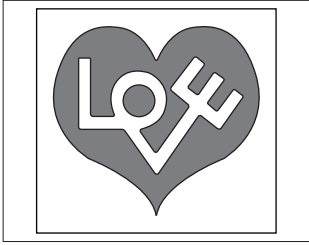
532 finished A

Prices for Steps 1-2.

EE532

\$825

Environmental Enrichment Panel, EE517
Love Heart



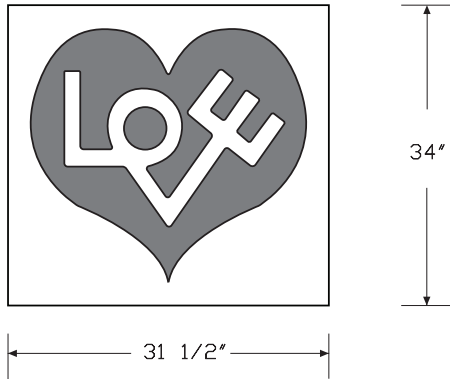
HermanMiller Ancillary--Accessories

Product Information

Description

This environmental enrichment panel is 31.5"x34" and is screen printed by hand on 100% linen fabric with serged edges. Finished option comes with a bracket and 2 dowel rods for mounting.

Dimensions



Specification Information

Step 1.

EE A

Step 2. Form

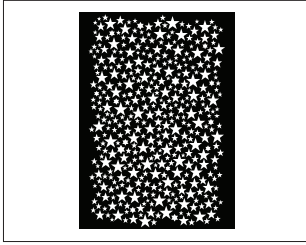
517 finished A

Prices for Steps 1-2.

EE517 \$724

Environmental Enrichment Panel,
Stars

EE513

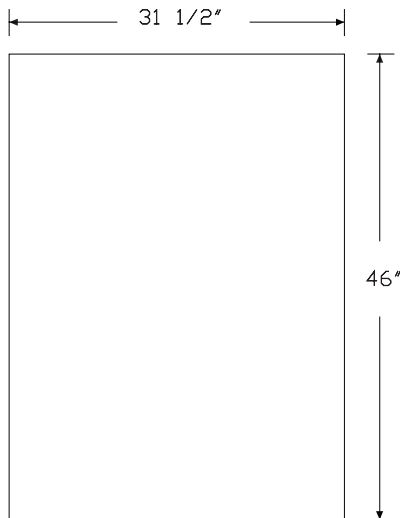


Product Information

Description

This environmental enrichment panel is 31.5"x46" and is screen printed by hand on 100% linen fabric with serged edges. Finished option comes with a bracket and 2 dowel rods for mounting.

Dimensions



Specification Information

Step 1.

EE A

Step 2. Form

513 finished A

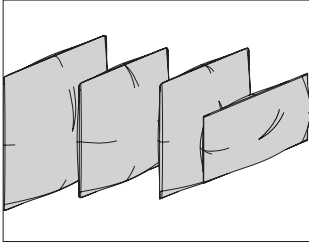
Prices for Steps 1-2.

EE513

\$759

Geiger Textile Pillow

PTA
PTB
PTC
PTD



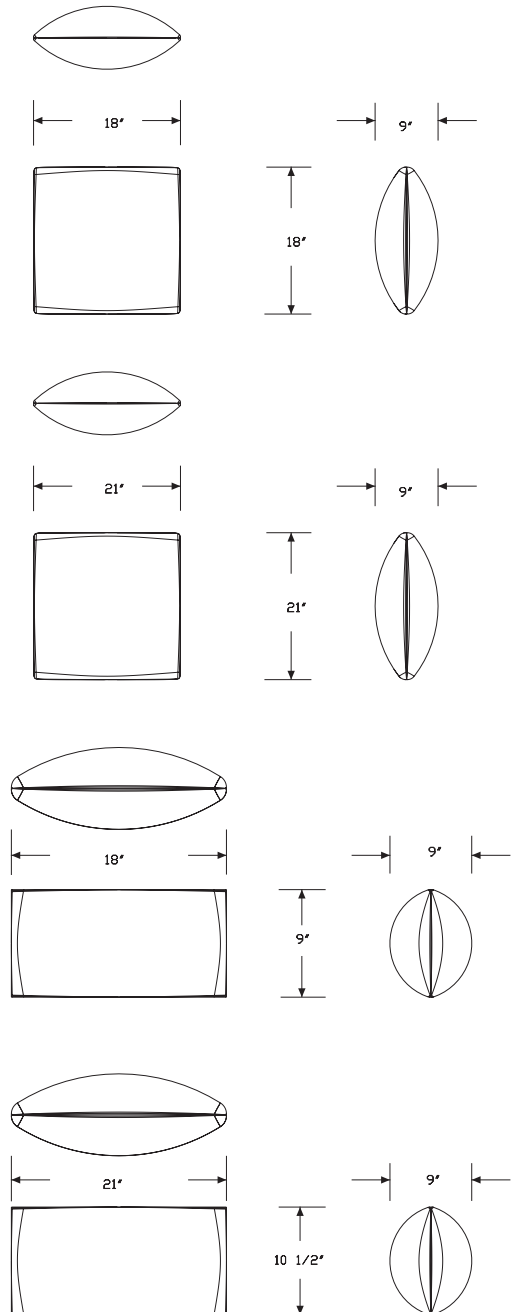
HermanMiller Ancillary--Accessories

Product Information

Description

These pillows are available in 4 sizes. All pillows are filled with 95% duck feather and 5% duck down.

Dimensions



Specification Information

Step 1.

PT A

Step 2. Size

A 9" high x 18" long A

B 18" high x 18" long A

C 10.5" high x 21" long A

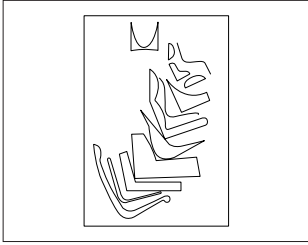
D 21" high x 21" long A

Prices for Steps 1-2.

PTA	\$212
PTB	\$253
PTC	\$225
PTD	\$317

Step 3. Fabric

Price Category (Geiger) 3	+\$37
Price Category (Geiger) 4	+\$46
Price Category (Geiger) 7	+\$107
Price Category (Geiger) 9	+\$202



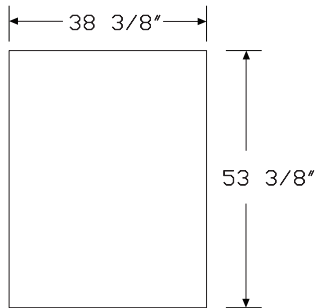
HermanMiller Ancillary--Accessories

Product Information

Description

This limited edition reproduction of the Armin Hoffman poster is 35³/₈" x 50³/₈" framed in a 38³/₈" x 53³/₈" wood frame. Frame options are white, black or natural maple with glazed clear acrylic. Mounting hardware included.

Dimensions



Specification Information

Step 1.

HA-LEAH

Step 2. Option

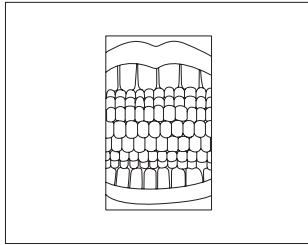
A Armin Hoffman

Prices for Steps 1-2.

HA-LEAH A \$1811

Step 3. Wood Frame Option

- 91** white (CP) +\$0
- BK** black +\$0
- UL** natural maple +\$0

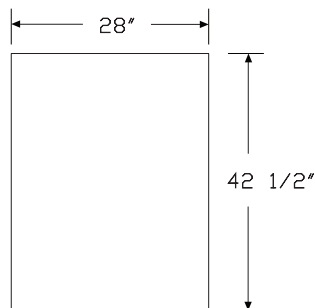


Product Information

Description

This limited edition reproduction of the Sweet Corn Picnic Poster is 25" x 39 1/2" framed in a 28" x 42 1/2" wood frame. Frame options are white, black or natural maple with glazed clear acrylic. Mounting hardware included.

Dimensions



Specification Information

Step 1.

HA-LESC A

Step 2. Option

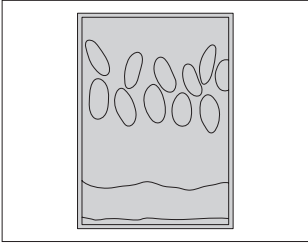
A Sweet Corn Picnic Poster A

Prices for Steps 1-2.

HA-LESC A \$1401

Step 3. Wood Frame Option

91	white (CP) <input type="checkbox"/> A	+\$0
BK	black <input type="checkbox"/> A	+\$0
UL	natural maple <input type="checkbox"/> A	+\$0

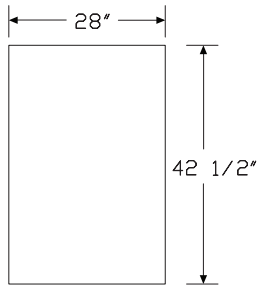


Product Information

Description

This limited edition reproduction of the Watermelon Picnic Poster is 25" x 39 1/2" framed in a 28" x 42 1/2" wood frame. Frame options are white, black or natural maple with glazed clear acrylic. Mounting hardware included.

Dimensions



Specification Information

Step 1.

HA-LEWM

Step 2. Option

A Watermelon Picnic Poster

Prices for Steps 1-2.

HA-LEWM A \$1401

Step 3. Wood Frame Option

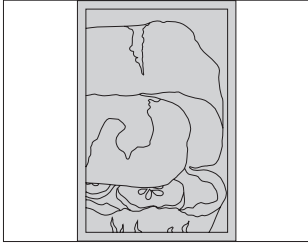
91 white (CP) +\$0

BK black +\$0

UL natural maple +\$0

Hot Dog Picnic Poster

HA-LE

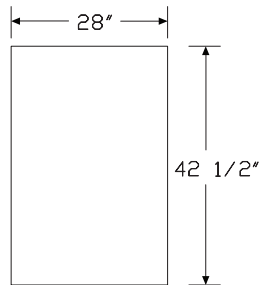


Product Information

Description

This limited edition reproduction of the Hot Dog Picnic Poster is 25" x 39 1/2" framed in a 28" x 42 1/2" wood frame. Frame options are white, black or natural maple with glazed clear acrylic. Mounting hardware included.

Dimensions



Specification Information

Step 1.

HA-LEHD

Step 2. Option

A Hot Dot Picnic Poster

Prices for Steps 1-2.

HA-LEHD A \$1401

Step 3. Wood Frame Option

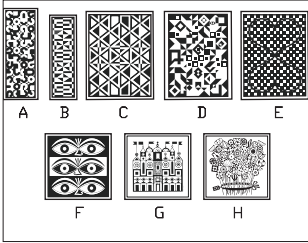
91 white (CP) +\$0

BK black +\$0

UL natural maple +\$0

Girard® Environmental Enrichment
Posters

HA-GI



HermanMiller Ancillary—Accessories

Product Information

Description

These posters are reproductions of Girard® archival environmental enrichment panels. Frame finish options are white, black, or natural maple wood with glazed clear acrylic. Mounting hardware included with framed artwork. Posters sold individually.

Notes

Individual poster dimensions are:

For framed (FF):

Poster	Height	Width
A	32"	14"
B	32"	12 1/4"
C, D, E	32"	25 1/4"
F, G, H	24"	24"

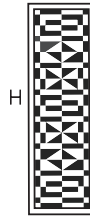
For unframed (UF):

Poster	Height	Width
A	29"	11"
B	29"	9 1/4"
C, D, E	29"	22 1/4"
F, G, H	21"	21"

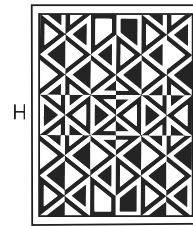
Dimensions



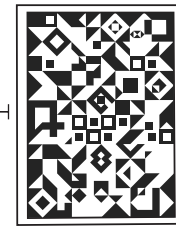
Circle Sections (A)



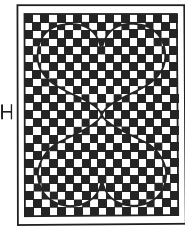
Geometric E (B)



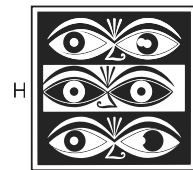
Geometric C (C)



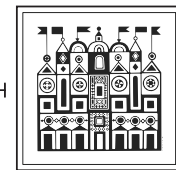
Geometric D (D)



Double Heart (E)



Eyes (F)



Castle (G)



Bouquet (H)

Girard® Environmental Enrichment
Posters *continued*

Specification Information

Step 1.

HA-GIR A

Step 2. Poster Option

- A Circle Sections A
- B Geometric E A
- C Geometric C A
- D Geometric D A
- E Double Heart A
- F Eyes A
- G Castle A
- H Bouquet A

Step 3. Frame Option

- FF framed A
- UF unframed A

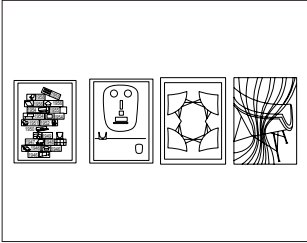
Prices for Steps 1-3.

	FF	UF
HA-GIR A	\$723	312
B	\$723	286
C	\$827	344
D	\$827	344
E	\$827	344
F	\$754	307
G	\$754	307
H	\$754	307

Step 4. Wood Frame Finish

For framed (FF)

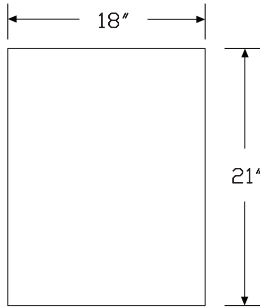
- BK black A +\$0
- 91 white (CP) A +\$0
- UL natural maple A +\$0



Product Information

Description
 These poster reproductions of Nelson™ Ads are 10" x 13" framed in an 18" x 21" wood frame. Frame options are white, black or natural maple with glazed clear acrylic. Mounting hardware included.

Dimensions



Specification Information

Step 1.

HA-NEAD

Step 2. Option

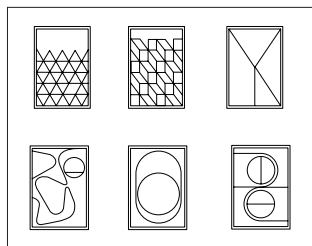
- A** Timeline Print
- B** Nelson Face Print
- C** Four Coconuts Print
- D** Coconut Chair Print

Prices for Steps 1-2.

HA-NEAD A	\$732
B	\$732
C	\$732
D	\$732

Step 3. Wood Frame Option

91 white (CP) <input type="checkbox"/>	+\$0
BK black <input type="checkbox"/>	+\$0
UL natural maple <input type="checkbox"/>	+\$0

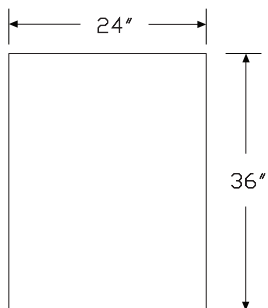


Product Information

Description

These poster reproductions of Nelson™ Pop Art Series prints are 21" × 33" framed in a 24" × 36" wood frame. Frame options are white, black or natural maple with glazed clear acrylic. Mounting hardware included.

Dimensions



Specification Information

Step 1.

HA-NPAS

Step 2. Poster Option

- A** Nelson Pop Art Purple Triangles
- B** Nelson Pop Art Rectangles
- C** Nelson Pop Art Four Color Block
- D** Nelson Pop Art Blue and Black
- E** Nelson Pop Art Blue Dot
- F** Nelson Pop Art Two Split Circles

Step 3. Frame Option

- FF** framed
- UF** unframed

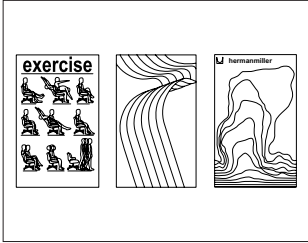
Prices for Steps 1-3.

	FF	UF
HA-NPAS A	\$793	390
B	\$793	390
C	\$793	390
D	\$793	390
E	\$793	390
F	\$793	390

Step 4. Wood Frame Finish

For framed (FF)

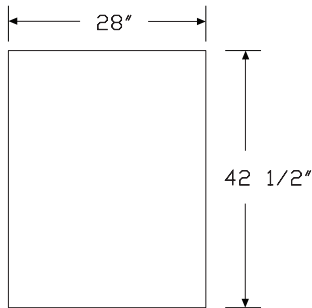
91 white (CP) <input type="checkbox"/>	+ \$0
BK black <input type="checkbox"/>	+ \$0
UL natural maple <input type="checkbox"/>	+ \$0



Product Information

Description
 These poster reproductions of Nelson™ Pop Art Individual prints are 25" × 39½" framed in a 28" × 42½" wood frame. Frame options are white, black or natural maple with glazed clear acrylic. Mounting hardware included.

Dimensions



Specification Information

Step 1.

HA-NPAV A

Step 2. Poster Option

- A** Exercise Poster A
- B** Rainbow Poster A
- C** Organic Forms Poster A

Step 3. Frame Option

- FF** framed A
- UF** unframed A

Prices for Steps 1-3.

	FF	UF
HA-NPAV A	\$1214	520
B	\$1214	520
C	\$1214	520

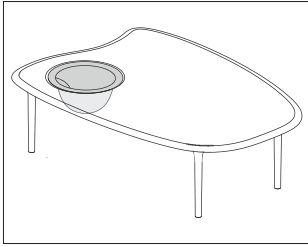
Step 4. Wood Frame Finish

For framed (FF)

91 white (CP) <input type="checkbox"/> A	+\$0
BK black <input type="checkbox"/> A	+\$0
UL natural maple <input type="checkbox"/> A	+\$0

Cyclade Glass Bowl

FE21



Product Information

Description

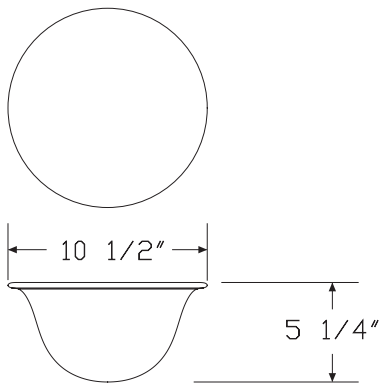
This glass bowl is an accessory to Cyclade tables. A cutout in the low top table is specifically designed to fit the bowl.

Notes

Bowl is clear glass.

Bowl cannot stand alone due to its rounded bottom.

Dimensions

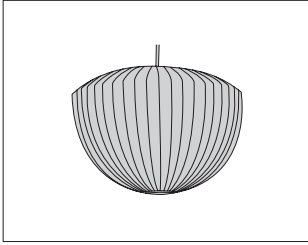


Specification Information

Step 1.

FE21 A

\$215



Product Information

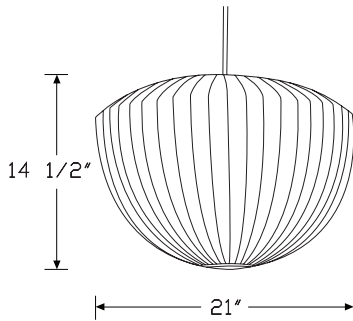
Description

The Nelson® Apple Bubble Pendant comes with a 5¼" brushed, nickel-plated steel ceiling plate and a 10' or 20' cord. Bulb not included. 150W/120V. UL listed.

Notes

UL rated for bulbs up to 150 watts.

Dimensions



Specification Information

Step 1.

H766

Step 2. Size

M medium

Step 3. Cord Length

10 10 feet

20 20 feet

Prices for Steps 1-3.

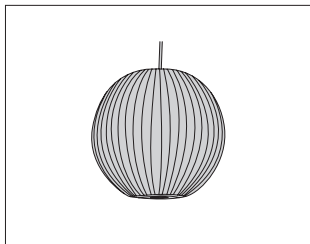
H766M	10	\$798
	20	\$915

Step 4. Trim Finish

BNS	brushed nickel	+\$0
------------	----------------	------

Nelson® Ball Bubble Pendant

H761L
H761M
H761S



Product Information

Description

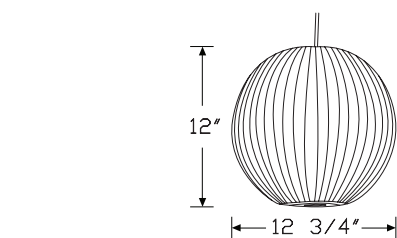
The Nelson® Ball Bubble Pendant is available in 3 sizes. Each lamp comes with a 5 1/4" brushed, nickel-plated steel ceiling plate and a 10' or 20' cord.

Bulb not included. 150W/120V. UL listed.

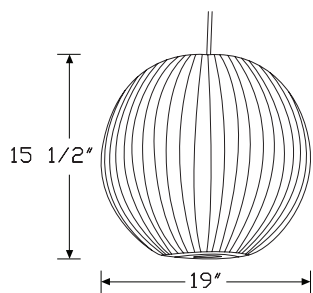
Notes

UL rated for bulbs up to 150 watts.

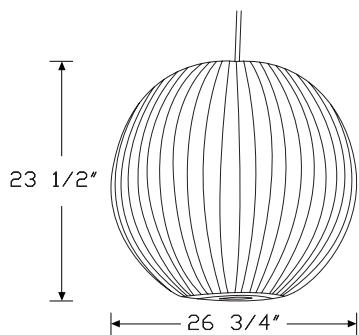
Dimensions



Small



Medium



Large

Specification Information

Step 1.

H761

Step 2. Size

S small
M medium
L large

Step 3. Cord Length

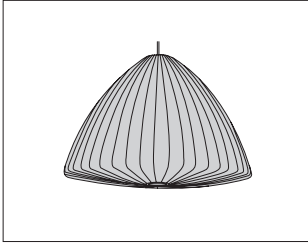
10 10 feet
20 20 feet

Prices for Steps 1-3.

H761S	10	\$640
	20	\$758
H761M	10	\$798
	20	\$915
H761L	10	\$902
	20	\$1019

Step 4. Trim Finish

BNS brushed nickel +\$0



HermanMiller Ancillary-Lighting

Product Information

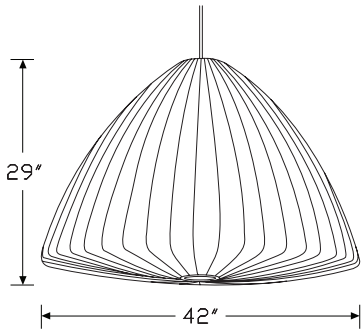
Description

The extra-large Nelson® Bell Bubble Pendant comes with a 5 1/4" brushed, nickel-plated steel ceiling plate and a 10' or 20' cord. Bulb not included. 150W/120V. UL listed.

Notes

UL rated for bulbs up to 150 watts.

Dimensions



Specification Information

Step 1.

BELL

Step 2. Size

XL x-large

Step 3. Cord Length

10 10 feet

Prices for Steps 1-3.

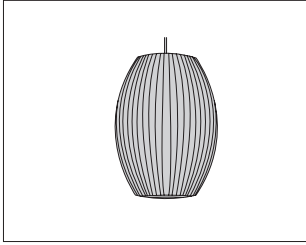
BELLXL 10 \$1898

Step 4. Trim Finish

BNS brushed nickel +\$0

Nelson® Cigar Bubble Pendant

H762L
H762M
H762S
H762X



Product Information

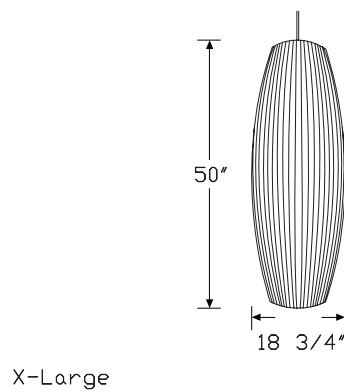
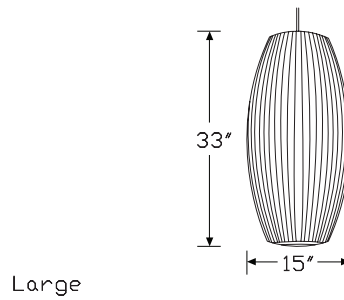
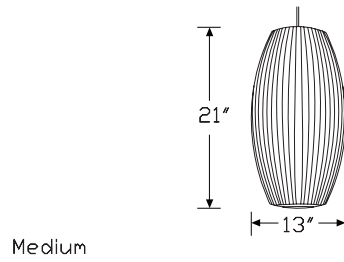
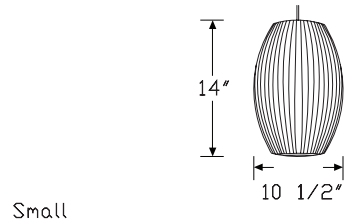
Description

The Nelson® Cigar Bubble Pendant is available in 4 sizes. Each lamp comes with a 5 1/4" brushed, nickel-plated steel ceiling plate and a 10' or 20' cord. Bulb not included. 150W/120V. UL listed.

Notes

UL rated for bulbs up to 150 watts.

Dimensions



Nelson® Cigar Bubble Pendant

continued

HermanMiller Ancillary—Lighting

Specification Information

Step 1.

H762

Step 2. Size

- S** small
- M** medium
- L** large
- XL** x-large

Step 3. Cord Length

For small (S), medium (M), or large (L)

- 10** 10 feet
- 20** 20 feet

For x-large (XL)

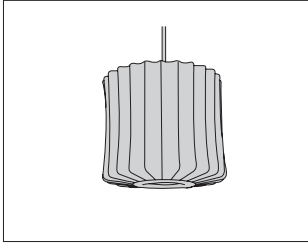
- 10** 10 feet

Prices for Steps 1-3.

H762S	10	\$640
	20	\$758
H762M	10	\$798
	20	\$915
H762L	10	\$902
	20	\$1019
H762XL	10	\$1898

Step 4. Trim Finish

- BNS** brushed nickel +\$0



Product Information

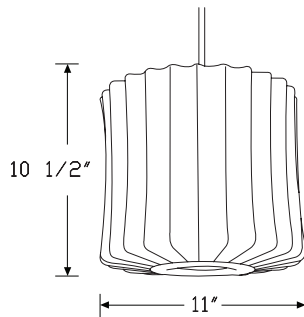
Description

The Nelson® Lantern Bubble Pendant comes with a 5¼" brushed, nickel-plated steel ceiling plate and a 10' or 20' cord. Bulb not included. 150W/120V. UL listed.

Notes

UL rated for bulbs up to 150 watts.

Dimensions



Specification Information

Step 1.

H737

Step 2. Size

S small

Step 3. Cord Length

10 10 feet

20 20 feet

Prices for Steps 1-3.

H737S	10	\$640
	20	\$758

Step 4. Trim Finish

BNS brushed nickel +\$0

Nelson® Pear Bubble Pendant

H770M
H770S



HermanMiller Ancillary-Lighting

Product Information

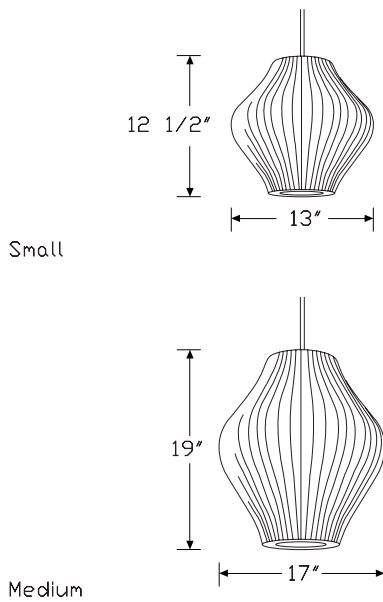
Description

The Nelson® Pear Bubble Pendant is available in 2 sizes. Each lamp comes with a 5¼" brushed, nickel-plated steel ceiling plate and a 10' or 20' cord. Bulb not included. 150W/120V. UL listed.

Notes

UL rated for bulbs up to 150 watts.

Dimensions



Specification Information

Step 1.

H770

Step 2. Size

S small

M medium

Step 3. Cord Length

10 10 feet

20 20 feet

Prices for Steps 1-3.

H770S	10	\$640
	20	\$758

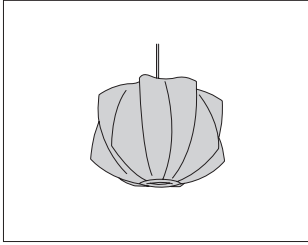
H770M	10	\$798
	20	\$915

Step 4. Trim Finish

BNS	brushed nickel	+\$0
------------	----------------	------

Nelson® Propeller Bubble Pendant

PROP1
PROP2



Product Information

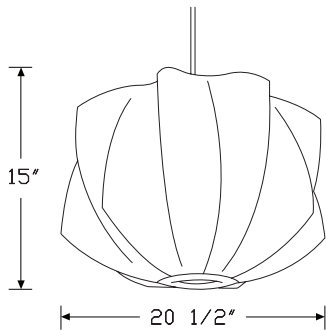
Description

The Nelson® Propeller Bubble Pendant comes with a 5¼" brushed, nickel-plated steel ceiling plate and a 10' or 20' cord. Bulb not included. 150W/120V. UL listed.

Notes

UL rated for bulbs up to 150 watts.

Dimensions



Specification Information

Step 1.

PROP

Step 2. Cord Length

10 10 feet

20 20 feet

Prices for Steps 1-2.

PROP10 \$798

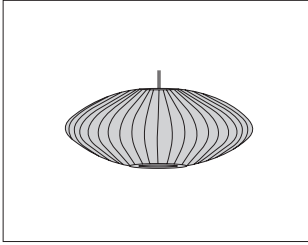
PROP20 \$915

Step 3. Trim Finish

BNS brushed nickel +\$0

Nelson® Saucer Bubble Pendant

H763L
H763M
H763S
H763X



HermanMiller Ancillary-Lighting

Product Information

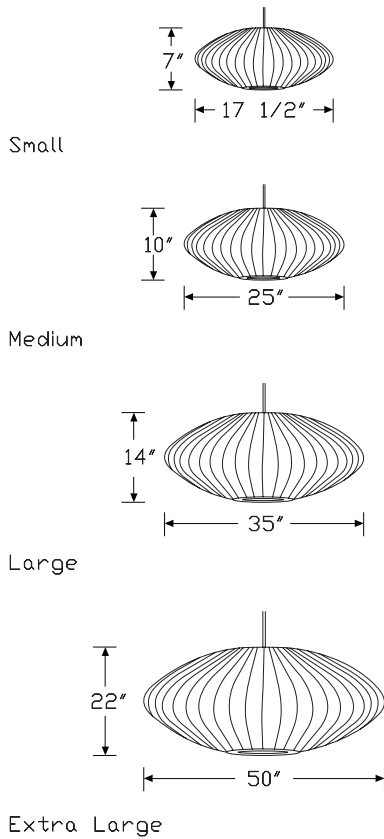
Description

The Nelson® Saucer Bubble Pendant is available in 4 sizes. Each lamp comes with a 5 1/4" brushed, nickel-plated steel ceiling plate and a 10' or 20' cord. The extra-large lamp is only available with a 10' cord. Bulb not included. 150W/120V for medium, large and extra-large saucers; 60W/120V for small saucers. UL listed.

Notes

UL rated for bulbs up to 150 watts; small saucer 60W/120V and UL rated for bulbs up to 60 watts.

Dimensions



Specification Information

Step 1.

H763

Step 2. Size

- S** small
- M** medium
- L** large
- XL** x-large

Step 3. Cord Length

For small (S), medium (M), or large (L)

- 10** 10 feet
- 20** 20 feet

For x-large (XL)

- 10** 10 feet

Prices for Steps 1-3.

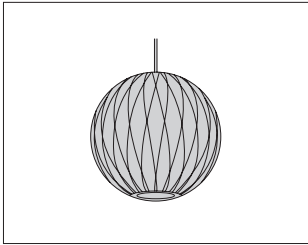
H763S	10	\$640
	20	\$758
H763M	10	\$798
	20	\$915
H763L	10	\$902
	20	\$1019
H763XL	10	\$1898

Step 4. Trim Finish

BNS	brushed nickel	+\$0
------------	----------------	------

Nelson® Ball Crisscross Bubble
Pendant

H761C



Product Information

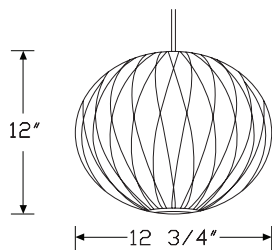
Description

The Nelson® Ball Crisscross Bubble Pendant is available in 2 sizes. Each lamp comes with a 5 1/4" brushed, nickel-plated steel ceiling plate and a 10' or 20' cord. Bulb not included. 150W/120V. UL listed.

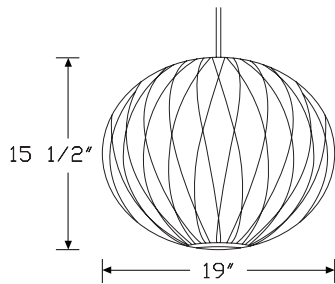
Notes

UL rated for bulbs up to 150 watts.

Dimensions



Small



Medium

Specification Information

Step 1.

H761CC

Step 2. Size

S small
M medium

Step 3. Cord Length

10 10 feet
20 20 feet

Prices for Steps 1-3.

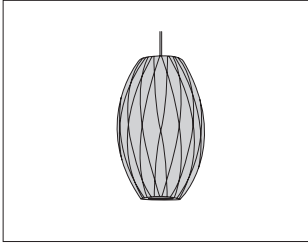
	10	20
H761CC S	\$640	758
M	\$798	915

Step 4. Trim Finish

BNS brushed nickel +\$0

Nelson® Cigar Crisscross Bubble
Pendant

H762C



HermanMiller Ancillary-Lighting

Product Information

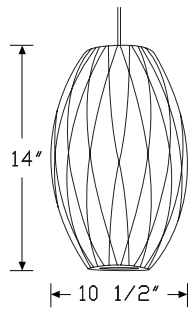
Description

The Nelson® Cigar Crisscross Bubble Pendant is available in 2 sizes. Each lamp comes with a 5 1/4" brushed, nickel-plated steel ceiling plate and a 10' or 20' cord. Bulb not included. 150W/120V. UL listed.

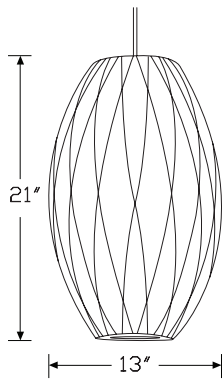
Notes

UL rated for bulbs up to 150 watts.

Dimensions



Small



Medium

Specification Information

Step 1.

H762CC

Step 2. Size

S small

M medium

Step 3. Cord Length

10 10 feet

20 20 feet

Prices for Steps 1-3.

	10	20
H762CC S	\$640	758
M	\$798	915

Step 4. Trim Finish

BNS brushed nickel +\$0

Nelson® Pear Crisscross Bubble
Pendant

H770C



Product Information

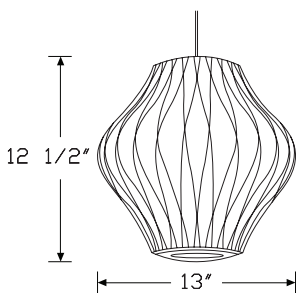
Description

The Nelson® Pear Crisscross Bubble Pendant is available in 2 sizes. Each lamp comes with a 5 1/4" brushed, nickel-plated steel ceiling plate and a 10' or 20' cord. Bulb not included. 150W/120V. UL listed.

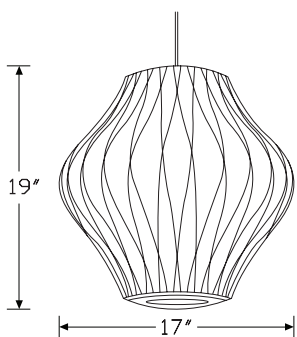
Notes

UL rated for bulbs up to 150 watts.

Dimensions



Small



Medium

Specification Information

Step 1.

H770CC

Step 2. Size

S small
M medium

Step 3. Cord Length

10 10 feet
20 20 feet

Prices for Steps 1-3.

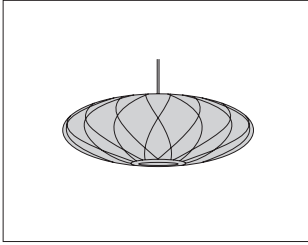
	10	20
H770CC S	\$640	758
M	\$798	915

Step 4. Trim Finish

BNS brushed nickel +\$0

Nelson® Saucer Crisscross Bubble
Pendant

H763C



HermanMiller Ancillary-Lighting

Product Information

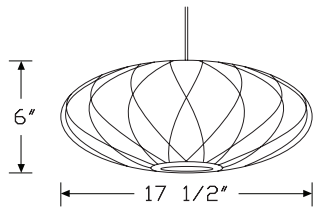
Description

The Nelson® Saucer Crisscross Bubble Pendant is available in 2 sizes. Each lamp comes with a 5/4" brushed, nickel-plated steel ceiling plate and a 10' or 20' cord. Bulb not included. 150W/120V for medium saucers; 60W/120V for small saucers. UL listed.

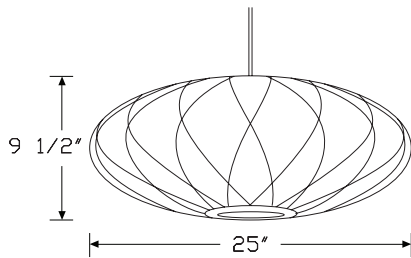
Notes

UL rated for bulbs up to 150 watts; small saucer 60W/120V and UL rated for bulbs up to 60 watts.

Dimensions



Small



Medium

Specification Information

Step 1.

H763CC

Step 2. Size

S small

M medium

Step 3. Cord Length

10 10 feet

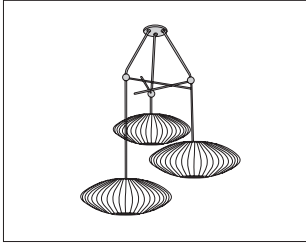
20 20 feet

Prices for Steps 1-3.

	10	20
H763CC S	\$640	758
M	\$798	915

Step 4. Trim Finish

BNS brushed nickel +\$0



Product Information

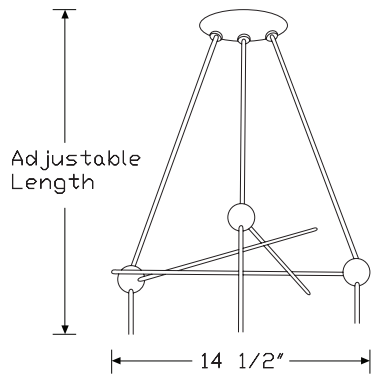
Description

This lamp fixture comes with a 5 1/4" brushed, nickel-plated steel ceiling plate for mounting and metal rods with walnut spheres spaced 14 1/2" apart. Nelson® Bubble lamps with cord are sold separately.

Notes

For use with this fixture, Bubble Lamp pendants should be 19" in diameter or smaller.

Dimensions



Specification Information

Step 1.

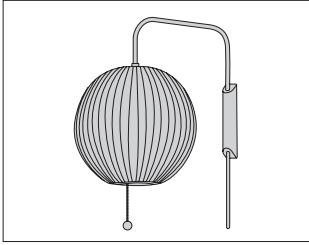
B-3-740

\$470

Step 2. Finish

BNS brushed nickel

+\$0



HermanMiller Ancillary-Lighting

Product Information

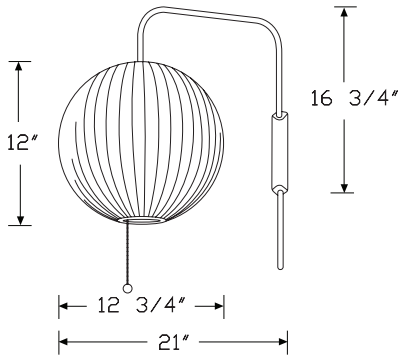
Description

The Nelson® Ball Wall Sconce has a 2"-thick solid walnut wall mount and a brushed-nickel steel arm that extends out approximately 14". The arm has a swivel hinge and an adjustable 12' plug-in cord with a counterweight that allows for height adjustments. The sconce swivels left-to-right and adjusts vertically without changing its wall-mount position. Ships with bulb included. 150W/120V. UL listed.

Notes

UL rated for bulbs up to 150 watts.

Dimensions



Specification Information

Step 1.

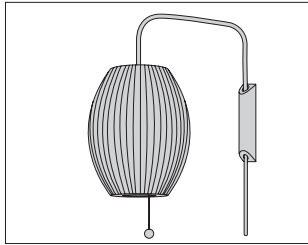
H761SC \$825

Step 2. Bracket Finish

WAL walnut +\$0

Step 3. Arm Finish

BNS brushed nickel +\$0



Product Information

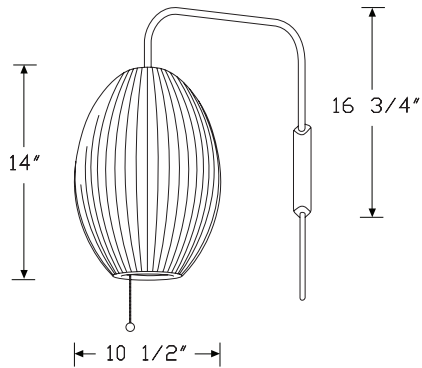
Description

The Nelson® Cigar Wall Sconce has a 2"-thick solid walnut wall mount and a brushed-nickel steel arm that extends out approximately 14". The arm has a swivel hinge and an adjustable 12' plug-in cord with a counterweight that allows for height adjustments. The sconce swivels left-to-right and adjusts vertically without changing its wall-mount position. Ships with bulb included. 150W/120V. UL listed.

Notes

UL rated for bulbs up to 150 watts.

Dimensions



Specification Information

Step 1.

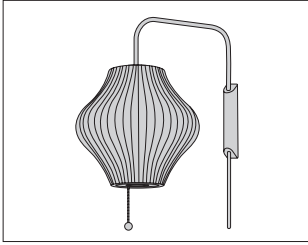
H762SC \$825

Step 2. Bracket Finish

WAL walnut +\$0

Step 3. Arm Finish

BNS brushed nickel +\$0



HermanMiller Ancillary-Lighting

Product Information

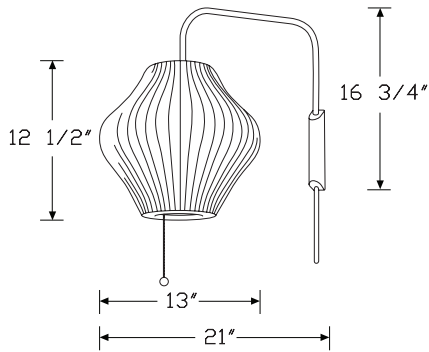
Description

The Nelson® Pear Wall Sconce has a 2"-thick solid walnut wall mount and a brushed-nickel steel arm that extends out approximately 14". The arm has a swivel hinge and an adjustable 12' plug-in cord with a counterweight that allows for height adjustments. The sconce swivels left-to-right and adjusts vertically without changing its wall-mount position. Ships with bulb included. 150W/120V. UL listed.

Notes

UL rated for bulbs up to 150 watts.

Dimensions



Specification Information

Step 1.

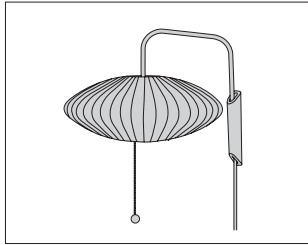
H770SC \$825

Step 2. Bracket Finish

WAL walnut +\$0

Step 3. Arm Finish

BNS brushed nickel +\$0



Product Information

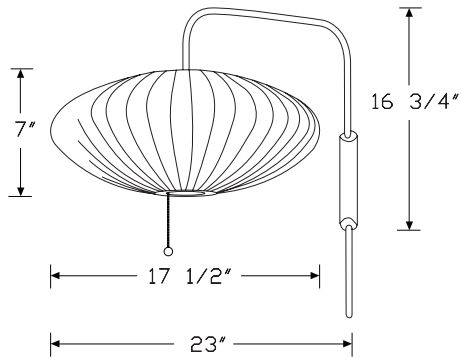
Description

The Nelson® Saucer Wall Sconce has a 2"-thick solid walnut wall mount and a brushed-nickel steel arm that extends out approximately 14". The arm has a swivel hinge and an adjustable 12' plug-in cord with a counterweight that allows for height adjustments. The sconce swivels left-to-right and adjusts vertically without changing its wall-mount position. Ships with bulb included. 60W/120V. UL listed.

Notes

UL rated for bulbs up to 60 watts.

Dimensions



Specification Information

Step 1.

H763SC \$825

Step 2. Bracket Finish

WAL walnut +\$0

Step 3. Arm Finish

BNS brushed nickel +\$0



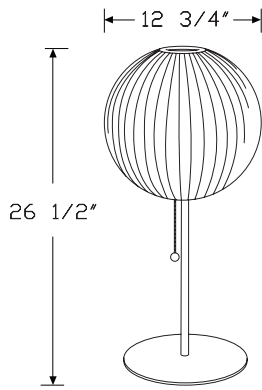
HermanMiller Ancillary-Lighting

Product Information

Description

The Nelson® Ball Lotus Table Lamp has an 8"-diameter brushed nickel-plated steel base available with or without a walnut cover. The lamp has an on/off pull chain with a solid walnut end. Cord is 86" long. 150W/120V. Ships with bulb included.

Dimensions



Specification Information

Step 1.

H761LT A

Step 2. Size

S small A

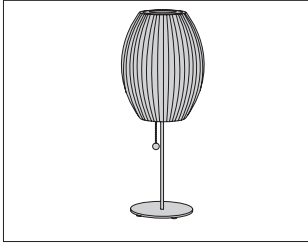
Prices for Steps 1-2.

H761LT S \$780

Step 3. Base Finish

BNS brushed nickel A +\$0

WAL walnut A +\$100

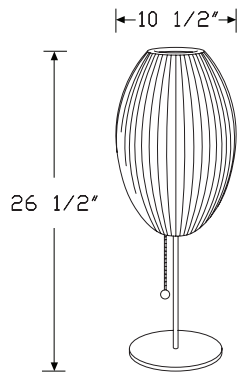


Product Information

Description

The Nelson® Cigar Lotus Table Lamp has an 8"-diameter brushed nickel-plated steel base available with or without a walnut cover. The lamp has an on/off pull chain with a solid walnut end. Cord is 86" long. 150W/120V. Ships with bulb included.

Dimensions



Specification Information

Step 1.

H762LT A

Step 2. Size

S small A

Prices for Steps 1-2.

H762LT S \$780

Step 3. Base Finish

BNS brushed nickel A +\$0

WAL walnut A +\$100



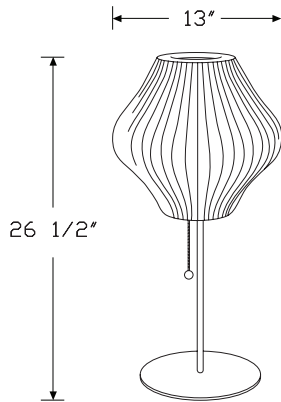
HermanMiller Ancillary-Lighting

Product Information

Description

The Nelson® Pear Lotus Table Lamp has an 8"-diameter brushed nickel-plated steel base available with or without a walnut cover. The lamp has an on/off pull chain with a solid walnut end. Cord is 86" long. 150W/120V. Ships with bulb included.

Dimensions



Specification Information

Step 1.

H770LT A

Step 2. Size

S small A

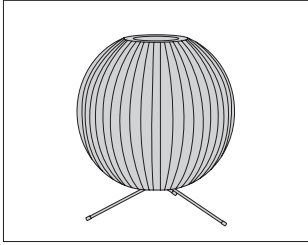
Prices for Steps 1-2.

H770LT S \$780

Step 3. Base Finish

BNS brushed nickel A +\$0

WAL walnut A +\$100



Product Information

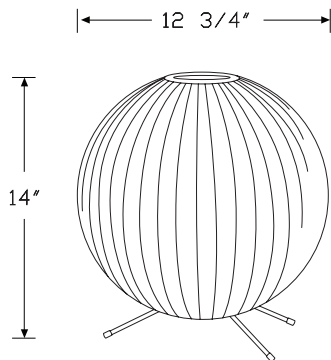
Description

The Nelson® Ball Tripod Lamp has a durable, brushed nickel-plated steel stand, an on/off switch, and a 90" cord. Ships with bulb included. 150W/120V. UL listed.

Notes

UL rated for bulbs up to 150 watts.

Dimensions



Specification Information

Step 1.

H761T

Step 2. Size

S small

Prices for Steps 1-2.

H761T S \$711

Step 3. Base Finish

BNS brushed nickel +\$0



HermanMiller Ancillary-Lighting

Product Information

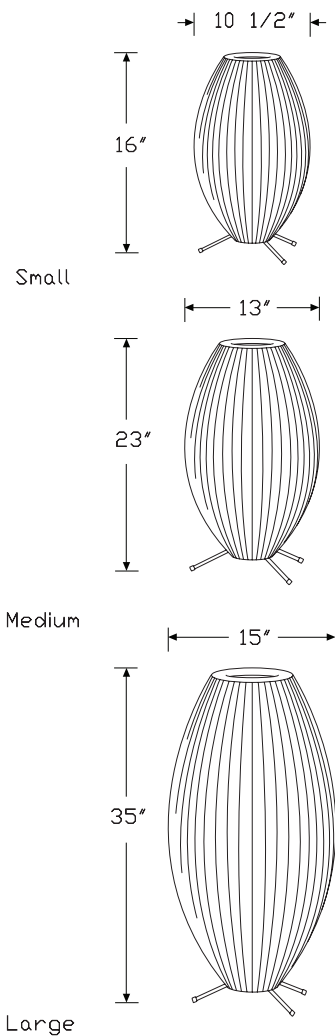
Description

The Nelson® Cigar Tripod Lamp is available in 3 sizes. It has a durable, brushed nickel-plated steel stand, an on/off switch, and a 90" cord. Ships with bulb included. 150W/120V. UL listed.

Notes

UL rated for bulbs up to 150 watts.

Dimensions



Specification Information

Step 1.

H762T

Step 2. Size

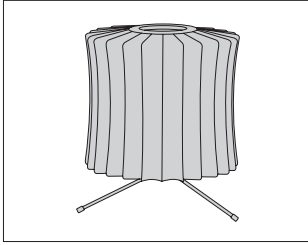
- S** small
- M** medium
- L** large

Prices for Steps 1-2.

H762T	S	\$711
	M	\$869
	L	\$979

Step 3. Base Finish

BNS	brushed nickel	+\$0
------------	----------------	------



Product Information

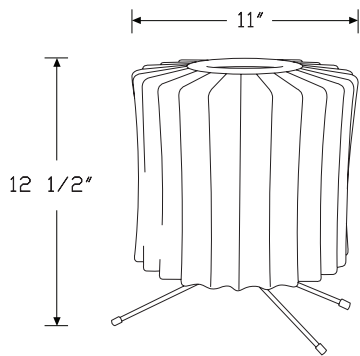
Description

The Nelson® Lantern Tripod Lamp has a durable, brushed nickel-plated steel stand, an on/off switch, and a 90' cord. Ships with bulb included. 150W/120V. UL listed.

Notes

UL rated for bulbs up to 150 watts.

Dimensions



Specification Information

Step 1.

H737T

Step 2. Size

S small

Prices for Steps 1-2.

H737T S \$711

Step 3. Base Finish

BNS brushed nickel +\$0



HermanMiller Ancillary-Lighting

Product Information

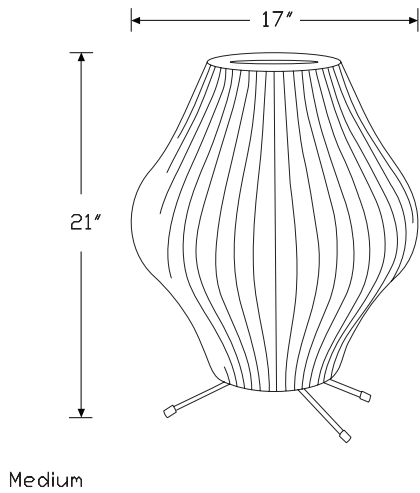
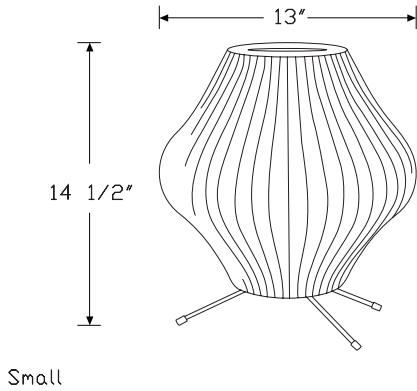
Description

The Nelson® Pear Tripod Lamp is available in 2 sizes. It has a durable, brushed nickel-plated steel stand, an on/off switch, and a 90" cord. Ships with bulb included. 150W/120V. UL listed.

Notes

UL rated for bulbs up to 150 watts.

Dimensions



Specification Information

Step 1.

H770T

Step 2. Size

S small

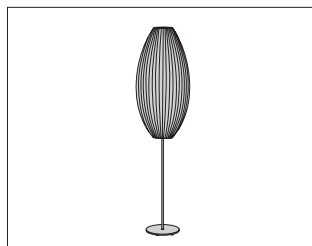
M medium

Prices for Steps 1-2.

H770T S	\$711
M	\$869

Step 3. Base Finish

BNS brushed nickel	+\$0
---------------------------	------

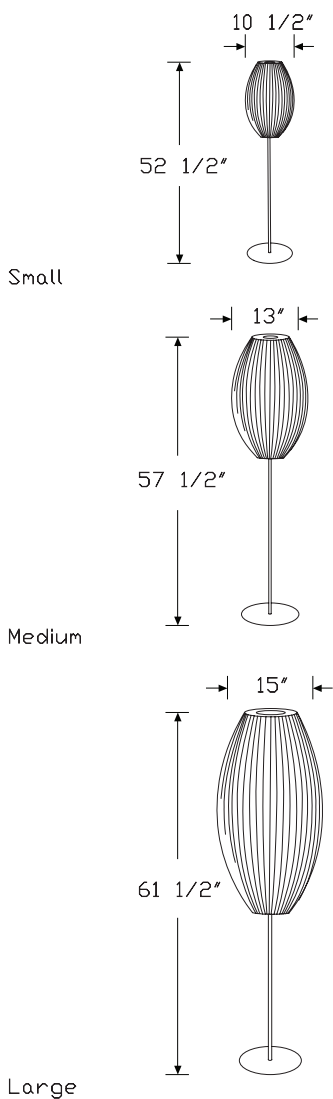


Product Information

Description

The Nelson® Cigar Lotus Floor Lamp is available in 3 sizes. It has a 10"-diameter brushed nickel-plated steel stand with a 6½-pound base for stability, available with or without a walnut cover. The lamp has an on/off floor switch and a 9' cord. Ships with bulb included. 150W/120V.

Dimensions



Specification Information

Step 1.

H762LF

Step 2. Size

S small

M medium

L large

Prices for Steps 1-2.

H762LF S	\$902
M	\$1078
L	\$1179

Step 3. Base Finish

For small (S)

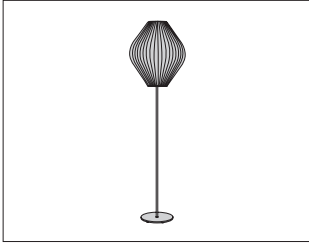
BNS	brushed nickel <input type="checkbox"/>	+\$0
WAL	walnut <input type="checkbox"/>	+\$100

For medium (M)

BNS	brushed nickel <input type="checkbox"/>	+\$0
WAL	walnut <input type="checkbox"/>	+\$100

For large (L)

BNS	brushed nickel <input type="checkbox"/>	+\$0
WAL	walnut <input type="checkbox"/>	+\$100



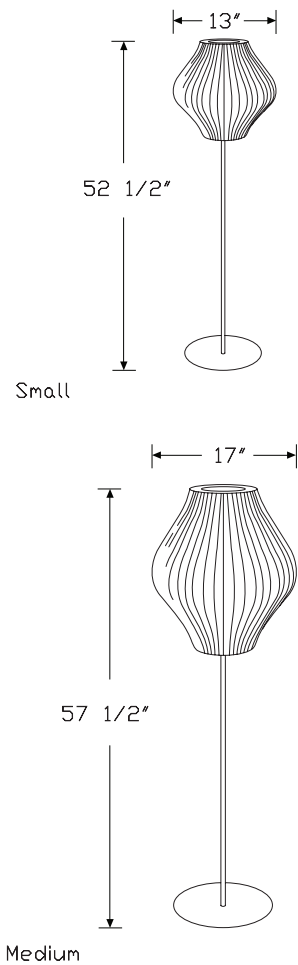
HermanMiller Ancillary-Lighting

Product Information

Description

The Nelson® Pear Lotus Floor Lamp is available in 2 sizes. It has a 10"-diameter brushed nickel-plated steel stand with a 6½-pound base for stability, available with or without a walnut cover. Base is brushed nickel and comes with or without a walnut cover. The lamp has an on/off floor switch and a 9' cord. Ships with bulb included. 150W/120V.

Dimensions



Specification Information

Step 1.

H770LF A

Step 2. Size

S small A

M medium A

Prices for Steps 1-2.

H770LF S	\$902
M	\$1078

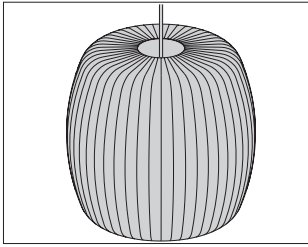
Step 3. Base Finish

For small (S)

BNS brushed nickel <input type="checkbox"/> A	+\$0
WAL walnut <input type="checkbox"/> A	+\$100

For medium (M)

BNS brushed nickel <input type="checkbox"/> A	+\$0
WAL walnut <input type="checkbox"/> A	+\$100



Product Information

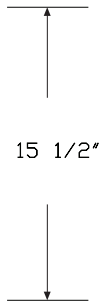
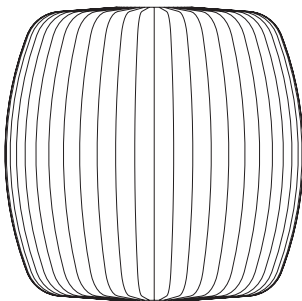
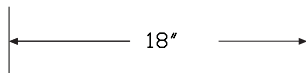
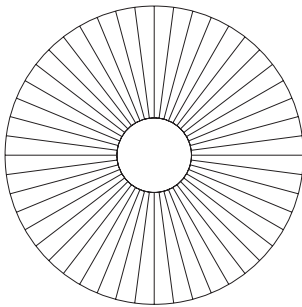
Description

The Nelson® Roll Bubble Pendant comes with a 5¼" brushed, nickel-plated steel ceiling plate and a 10' or 20' cord. Bulb not included. 150W/120V. UL listed.

Notes

UL rated for bulbs up to 150 watts.

Dimensions



Specification Information

Step 1.

H764

Step 2. Size

M medium

Step 3. Cord Length

10 10 feet

20 20 feet

Prices for Steps 1-3.

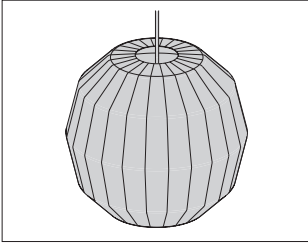
H764M	10	\$798
	20	\$915

Step 4. Trim Finish

BNS brushed nickel +\$0

Nelson® Angled Bubble Pendant

H769L
H769M
H769S



HermanMiller Ancillary-Lighting

Product Information

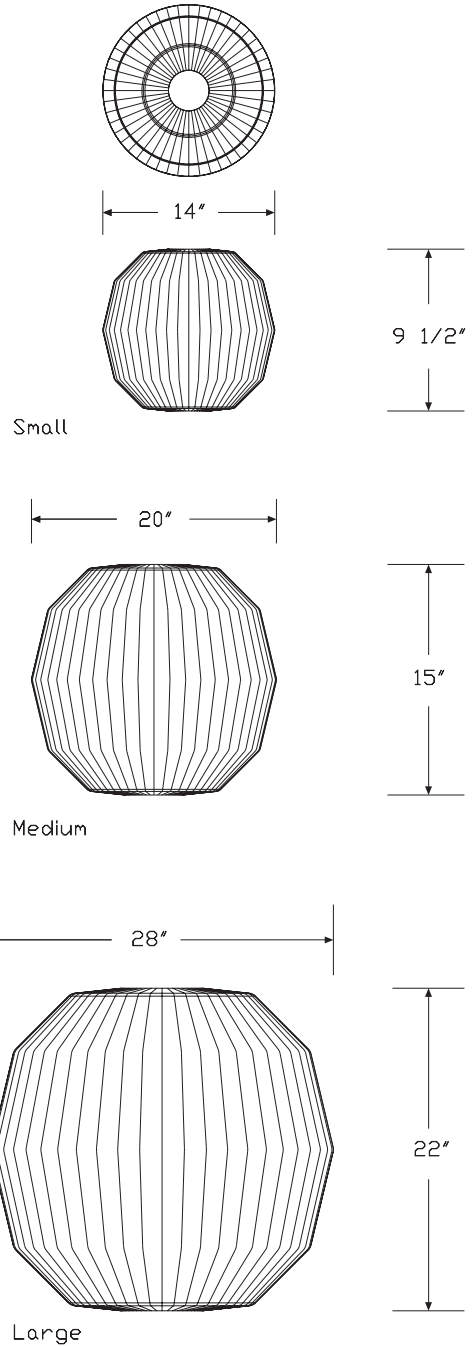
Description

The Nelson® Angled Sphere Bubble Pendant is available in 3 sizes. Each lamp comes with a 5/8" brushed, nickel-plated steel ceiling plate and a 10' or 20' cord. Bulb not included. 150W/120V. UL listed.

Notes

UL rated for bulbs up to 150 watts.

Dimensions



Nelson® Angled Bubble Pendant

continued

Specification Information

Step 1.

H769

Step 2. Size

S small

M medium

L large

Step 3. Cord Length

10 10 feet

20 20 feet

Prices for Steps 1-3.

H769S	10	\$640
	20	\$758

H769M	10	\$798
	20	\$915

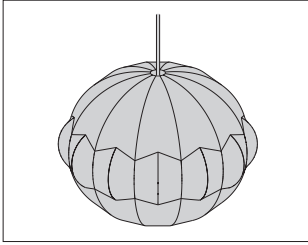
H769L	10	\$902
	20	\$1019

Step 4. Trim Finish

BNS	brushed nickel	+\$0
------------	----------------	------

Nelson® Orbit Bubble Pendant

H771M
H771S



HermanMiller Ancillary-Lighting

Product Information

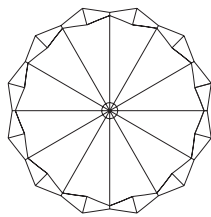
Description

The Nelson® Orbit Bubble Pendant is available in 2 sizes. Each lamp comes with a 5¼" brushed, nickel-plated steel ceiling plate and a 10' or 20' cord. Bulb not included. 150W/120V. UL listed.

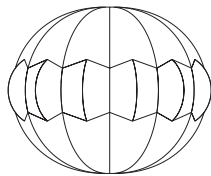
Notes

UL rated for bulbs up to 150 watts.

Dimensions



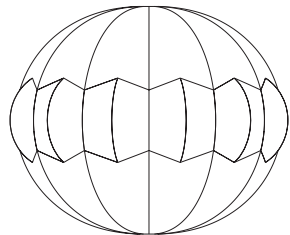
14"



Small

9.5"

20"



Medium

16"

Specification Information

Step 1.

H771

Step 2. Size

S small

M medium

Step 3. Cord Length

10 10 feet

20 20 feet

Prices for Steps 1-3.

H771S	10	\$640
	20	\$758

H771M	10	\$798
	20	\$915

Step 4. Trim Finish

BNS	brushed nickel	+\$0
------------	----------------	------

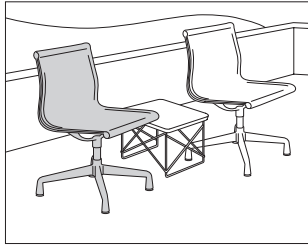
Seating

Tables



Eames® Aluminum Group Side Chair
Outdoor

EA506
EA508

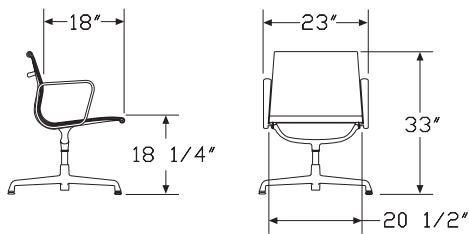


Product Information

Description

This outdoor low back side chair has a lightweight aluminum frame and suspended mesh upholstery. It has a 4-star base with adjustable glides. The chair is available with or without arms.

Dimensions



Specification Information

Step 1.

EA50 A

Step 2. Arms

6 no arms A

8 arms A

Step 3. Swivel

S swivel base A

F fixed base, no swivel A

Prices for Steps 1-3.

EA506	S	\$1797
	F	\$1909

EA508	S	\$2374
	F	\$2490

Step 4. Base/Frame Finish

G1	graphite (CP) <input type="checkbox"/> A	+\$0
BK	black <input type="checkbox"/> A	+\$91
91	white (CP) <input type="checkbox"/> A	+\$91

Step 5. Fabric

Price Category 6	+\$222
------------------	--------

Eames® Wire Chair Outdoor

DKQR.
DKQX.



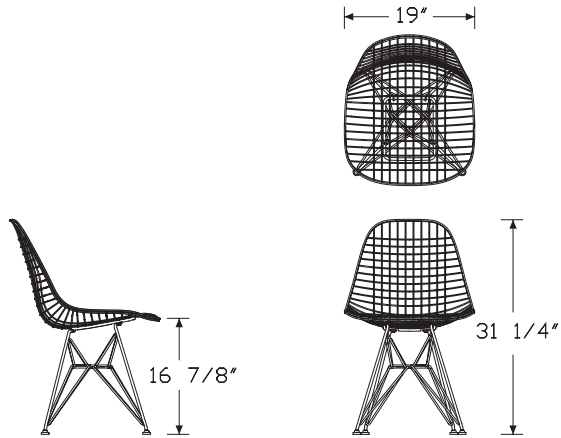
HermanMiller Ancillary-Outdoor Seating

Product Information

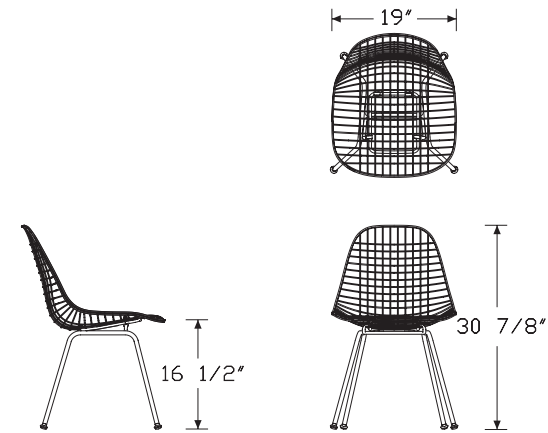
Description

This outdoor chair has a wire shell with wire base or 4-leg base. Finish is white or black. Chair comes with standard outdoor glides.

Dimensions



Wire Base



4-Leg Base

Specification Information

Step 1.

DKQ A

Step 2. Base

R.0 wire base A

X.0 4 leg base A

Prices for Steps 1-2.

DKQR.0	\$1279
DKQX.0	\$1229

Step 3. Seat Frame/Leg Finish

91 white (CP) <input type="checkbox"/> A	+\$0
BK black <input type="checkbox"/> A	+\$0

Step 4. Glide Option

E8 standard glide <input type="checkbox"/> A	+\$0
-----------------------------------------------------	------

Eames® Wire Stool Outdoor

DKHQBX
DKHQCX

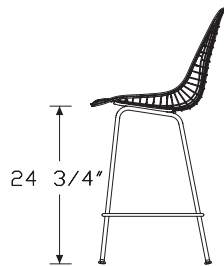
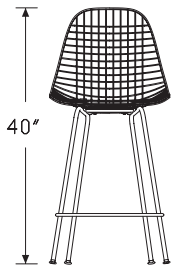
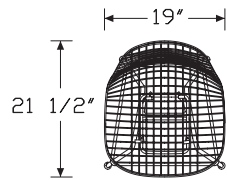


Product Information

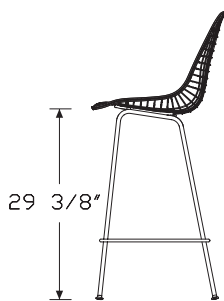
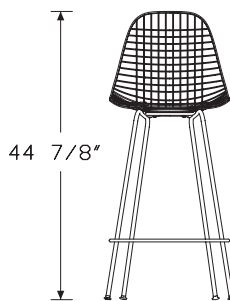
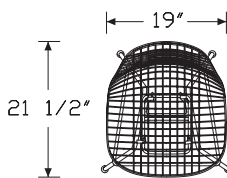
Description

This outdoor stool has a wire shell and is available in bar height or counter height. Finish is white or black. Stool comes with standard outdoor glides.

Dimensions



Counter Height



Bar Height

Specification Information

Step 1.

DKHQ A

Step 2. Base Height

BX. bar height stool A

CX. counter height stool A

Prices for Steps 1-2.

DKHQBX.	\$1631
DKHQCX.	\$1604

Step 3. Seat Frame/Leg Finish

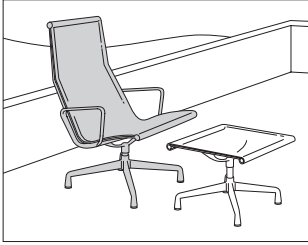
91	white (CP) <input type="checkbox"/> A	+\$0
BK	black <input type="checkbox"/> A	+\$0

Step 4. Glide Option

E8	standard glide <input type="checkbox"/> A	+\$0
----	-------------------------------------------	------

Eames® Aluminum Group Lounge
Chair Outdoor

EA516



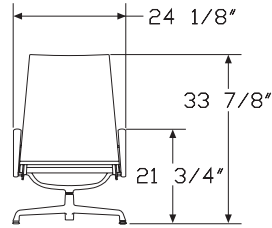
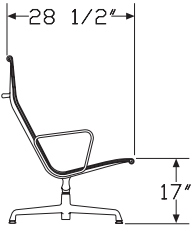
HermanMiller Ancillary–Outdoor Seating

Product Information

Description

This outdoor lounge chair has a lightweight aluminum frame and suspended mesh upholstery. It has a 4-star swiveling base with adjustable glides.

Dimensions



Specification Information

Step 1.

EA516 [A] \$2749

Step 2. Base/Frame Finish

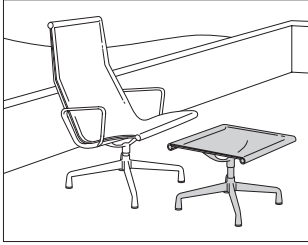
G1 graphite (CP) [A] +\$0
BK black [A] +\$140
91 white (CP) [A] +\$140

Step 3. Fabric

Price Category 6 +\$293

Eames® Aluminum Group Ottoman
Outdoor

EA523

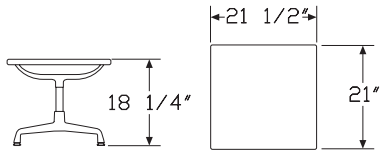


Product Information

Description

This outdoor ottoman has a lightweight aluminum frame and suspended mesh upholstery. It has a 4-star base with adjustable glides.

Dimensions



Specification Information

Step 1.

EA523 A \$1320

Step 2. Base/Frame Finish

G1 graphite (CP) A +\$0
BK black A +\$72
91 white (CP) A +\$72

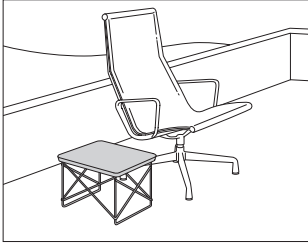
Step 3. Fabric

Price Category 6 +\$155

HermanMiller Ancillary—Outdoor Seating

Eames® Wire Base Low Table
Outdoor

LTRT.



HermanMiller Ancillary-Outdoor Tables

Product Information

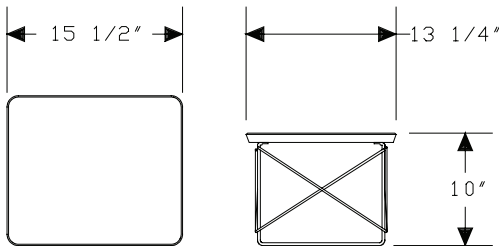
Description

This outdoor table has a 3/4"-thick stone top or a thin profile HPL top. The base is powder-coated wire.

Notes

Stone has a honed finish and knife edge profile.
 Natural characteristics in stone cause variations in hues, veins, crystals, and distinctive marks. These variations and subtle changes seen as the stone ages are values associated with natural materials. No two tabletops are identically the same; variations in both color and veining are to be expected. Over time the stone may fade in color, staining of the surface may appear, and surface cracks-if not already visible at time of purchase-may appear. Small cracks do not affect the structure of the tabletop.

Dimensions



Specification Information

Step 1.

LTRT.5

Step 2. Top Type

- S** stone
- M** thin profile HPL top

Prices for Steps 1-2.

LTRT.5 S	\$331
M	\$331

Step 3. Top Finish

For stone (S)

5U georgia grey marble <input type="checkbox"/>	+\$1359
CRR Carrara marble <input type="checkbox"/>	+\$1289

For thin profile HPL top (M)

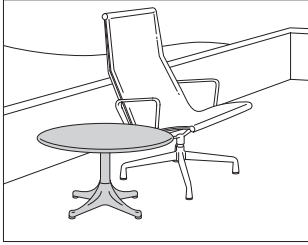
91 white (CP) <input type="checkbox"/>	+\$110
BK black <input type="checkbox"/>	+\$110

Step 4. Base Finish

G1 graphite (CP) <input type="checkbox"/>	+\$0
91 white (CP) <input type="checkbox"/>	+\$21
BK black <input type="checkbox"/>	+\$21

Nelson™ Pedestal Table Outdoor

5451.
5452.
5453.
5454.
5455.



Product Information

Description

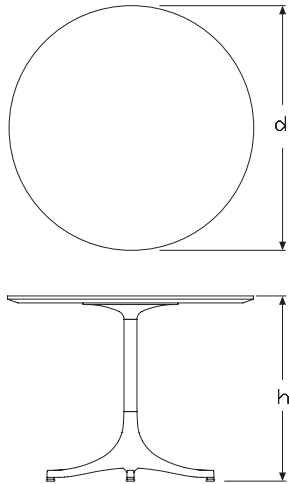
This outdoor table has a 3/4"-thick stone top or a thin profile HPL top and adjustable glides.

Notes

Stone has a honed finish and knife edge profile.

Natural characteristics in stone cause variations in hues, veins, crystals, and distinctive marks. These variations and subtle changes seen as the stone ages are values associated with natural materials. No two tabletops are identically the same; variations in both color and veining are to be expected. Over time the stone may fade in color, staining of the surface may appear, and surface cracks-if not already visible at time of purchase-may appear. Small cracks do not affect the structure of the tabletop.

Dimensions



Specification Information

Step 1.

545 [A]

Step 2. Height/Diameter

1.5	21½" high x 17" diameter
5.5	26" high x 17" diameter [A]
2.5	16" high x 28½" diameter
3.5	21½" high x 28½" diameter
4.5	26" high x 28½" diameter [A]

Step 3. Surface Material

M	thin profile HPL top [A]
S	stone top [A]

Prices for Steps 1-3.

5451.5	M	\$1209
	S	\$3021
5455.5	M	\$1209
	S	\$3021
5452.5	M	\$2624
	S	\$4817
5453.5	M	\$2624
	S	\$4817
5454.5	M	\$2624
	S	\$4817

Step 4. Base Finish

G1	graphite (CP) [A]	+\$0
91	white (CP) [A]	+\$0
91	white (CP) [A]	+\$30
BK	black [A]	+\$0
BK	black [A]	+\$30

Step 5. Top Finish

For 21½" high x 17" diameter (1.5) with stone top (S)

5U	georgia grey marble [A]	+\$225
CRR	Carrara marble [A]	+\$100

For 26" high x 17" diameter (5.5) with stone top (S)

5U	georgia grey marble [A]	+\$225
CRR	Carrara marble [A]	+\$100

Nelson™ Pedestal Table Outdoor

continued

HermanMiller Ancillary-Outdoor Tables

For 16" high x 28½" diameter (2.5) with stone top (S)

5U	georgia grey marble	A	+\$360
CRR	Carrara marble	A	+\$285

For 21½" high x 28½" diameter (3.5) with stone top (S)

5U	georgia grey marble	A	+\$360
CRR	Carrara marble	A	+\$285

For 26" high x 28½" diameter (4.5) with stone top (S)

5U	georgia grey marble	A	+\$360
CRR	Carrara marble	A	+\$285

For 21½" high x 17" diameter (1.5) with thin profile HPL top (M)

UBK	ultra black (CP)	A	+\$0
91	white (CP)	A	+\$0
BK	black	A	+\$0
G1	graphite (CP)	A	+\$0

For 26" high x 17" diameter (5.5) with thin profile HPL top (M)

UBK	ultra black (CP)	A	+\$0
91	white (CP)	A	+\$0
BK	black	A	+\$0
G1	graphite (CP)	A	+\$0

For 16" high x 28½" diameter (2.5) with thin profile HPL top (M)

UBK	ultra black (CP)	A	+\$0
91	white (CP)	A	+\$0
BK	black	A	+\$0
G1	graphite (CP)	A	+\$0

For 21½" high x 28½" diameter (3.5) with thin profile HPL top (M)

UBK	ultra black (CP)	A	+\$0
91	white (CP)	A	+\$0
BK	black	A	+\$0
G1	graphite (CP)	A	+\$0

For 26" high x 28½" diameter (4.5) with thin profile HPL top (M)

UBK	ultra black (CP)	A	+\$0
91	white (CP)	A	+\$0
BK	black	A	+\$0
G1	graphite (CP)	A	+\$0

Index by Product Name

HermanMiller Ancillary Accessories	
	page(s)
Box	668
Cyclade Glass Bowl	691
Eames® Hang-It-All®	661
Eames® Hang-It-All® Herman Miller x HAY	662
Eames® Hang-It-All® MoMA Edition	663
Eames® Molded Plywood Folding Screen	664
Environmental Enrichment Panel, Black and White	672
Environmental Enrichment Panel, Eyes	673
Environmental Enrichment Panel, Four Leaf Clover	674
Environmental Enrichment Panel, Girls	675
Environmental Enrichment Panel, Hand & Dove	676
Environmental Enrichment Panel, Knot	677
Environmental Enrichment Panel, Love Heart	678
Environmental Enrichment Panel, Stars	679
Geiger Textile Pillow	680
Girard® Environmental Enrichment Posters	686
Girard® Throw	665
Hot Dog Picnic Poster	685
Limited Edition Armin Hoffman	682
Media Stand	670
Nelson® Angled Bubble Pendant	720
Nelson® Apple Bubble Pendant	692
Nelson® Ball Bubble Pendant	693
Nelson® Ball Crisscross Bubble Pendant	701
Nelson® Ball Lotus Table Lamp	710
Nelson® Ball Tripod Lamp	713
Nelson® Ball Wall Sconce	706
Nelson® Bell Bubble Pendant	694
Nelson® Cigar Bubble Pendant	695
Nelson® Cigar Crisscross Bubble Pendant	702
Nelson® Cigar Lotus Floor Lamp	717
Nelson® Cigar Lotus Table Lamp	711
Nelson® Cigar Tripod Lamp	714
Nelson® Cigar Wall Sconce	707
Nelson® Lantern Bubble Pendant	697
Nelson® Lantern Tripod Lamp	715
Nelson® Orbit Bubble Pendant	722
Nelson® Pear Bubble Pendant	698
Nelson® Pear Crisscross Bubble Pendant	703
Nelson® Pear Lotus Floor Lamp	718
Nelson® Pear Lotus Table Lamp	712
Nelson® Pear Tripod Lamp	716
Nelson® Pear Wall Sconce	708
Nelson® Propeller Bubble Pendant	699
Nelson® Roll Bubble Pendant	719
Nelson® Saucer Bubble Pendant	700

Nelson® Saucer Crisscross Bubble Pendant	704
Nelson® Saucer Wall Sconce	709
Nelson® Triple Bubble Lamp Fixture	705
Nelson Ads	688
Nelson Pop Art Series	689
Paper Tray	671
Pencil Cup	666
Pop Art Individual	690
Sweet Corn Picnic Poster	683
Tissue Box	669
Tray	667
Watermelon Picnic Poster	684

HermanMiller Ancillary Desks and Tables	
	page(s)
Brabo Occasional Table	469
Claw Occasional Table, Square	472
Claw Table	471
Cyclade Tables	509
Eames® 2500 Series Executive Desk	444
Eames® Coffee Table	453
Eames® Desk Unit	441
Eames® Indoor/Outdoor Table, Round Herman Miller x HAY	450
Eames® Molded Plywood Coffee Table Metal Base	455
Eames® Molded Plywood Coffee Table Wood Base	456
Eames® Rectangular Coffee Table	457
Eames® Wire Base Elliptical Table	458
Eames® Wire Base Low Table	459
Eames® Wire Base Low Table Herman Miller x HAY	460
Full Round Table	473
Girard® Flower Tables	513
H-Frame Coffee Table	482
H-Frame Side Table	479
I-Beam Coffee Table	485
I-Beam Side Table	486
Layer Occasional Table, High Nesting	500
Layer Occasional Table, Low Nesting	502
Layer Occasional Table, No Shelf	506
Layer Occasional Table, Stone Shelf	507
Layer Occasional Table, Wood Shelf	504
Mode Desk	442
Nelson™ Cane Bench	461
Nelson™ Pedestal Table	462
Nelson™ Swag Leg Desk	443
Nelson™ Swag Leg Dining Table Rectangular	445
Nelson™ Swag Leg Dining Table Round	446
Nelson™ Swag Leg Work Table	447
Nelson™ X-Leg Table	448
Noguchi® Rudder Table	465

Index by Product Name *continued*

Index: Product Name

Noguchi® Table	464
Polygon Wire Table	511
Reframe Occasional Table	508
Rohde Paldao Coffee Table	451
Rohde Paldao Side Table	452
Saiba Table Glass Top	496
Saiba Table Thin Profile Top	498
Saiba Table Wood Top	493
Striad® Pedestal Table	466
Tuxedo Component Lounge Tables Rectangular	491
Tuxedo Component Lounge Tables Square	489
Tuxedo Component Lounge Tables Tray	487
HermanMiller Ancillary Outdoor Furniture	
Eames® Aluminum Group Lounge Chair Outdoor	page(s) 728
Eames® Aluminum Group Ottoman Outdoor	729
Eames® Aluminum Group Side Chair Outdoor	725
Eames® Wire Base Low Table Outdoor	730
Eames® Wire Chair Outdoor	726
Eames® Wire Stool Outdoor	727
Nelson™ Pedestal Table Outdoor	731
HermanMiller Ancillary Seating	
Betwixt Bar Stool	page(s) 231
Betwixt Bench	253
Betwixt Chair, Armless	51
Betwixt Chair with Arms	49
Betwixt Counter Stool	229
Bevel Chaise	306
Bevel Club Chair	302
Bevel Corner	303
Bevel Curved Settee	309
Bevel Settee	304
Bevel Single Seat	311
Bevel Sofa	307
Bolster Chaise	316
Bolster Club Chair	312
Bolster Corner	313
Bolster Settee	314
Bolster Sofa	317
Brabo Lounge Chair	180
Brabo Settee	406
Brabo Sofa	409
Bumper High Arm Conference Chair, 5 Star	293
Bumper High Arm Lounge Chair, 4 Star	224
Bumper High Arm Side Chair, 4 Leg	295
Bumper Low Arm Conference Chair, 5 Star	284
Bumper Low Arm Side Chair, 4 Leg	286
Bumper Low Arm Side Chair, 4 Star	291

Chadwick Base Cover Kit	357
Chadwick Module	355
Chadwick Power Entry	358
Chadwick Power Jumper	360
Chadwick Receptacle Kit	359
ColourForm Bench, Not Quilted, Single Textile	339
ColourForm Bench, Quilted, Single Textile	340
ColourForm Chaise, Not Quilted, Single Textile	328
ColourForm Chaise, Quilted, Single Textile	330
ColourForm Chaise, Quilted, Two Textiles	332
ColourForm Club Chair, Not Quilted, Single Textile	325
ColourForm Club Chair, Quilted, Single Textile	326
ColourForm Club Chair, Quilted, Two Textiles	327
ColourForm Corner, Not Quilted, Single Textile	337
ColourForm Corner, Quilted, Single Textile	338
ColourForm Ganging Kit	341
ColourForm Sofa, Not Quilted, Single Textile	319
ColourForm Sofa, Quilted, Single Textile	321
ColourForm Sofa, Quilted, Two Textiles	323
ColourForm Tete-a-Tete, Not Quilted, Single Textile	334
ColourForm Tete-a-Tete, Quilted, Single Textile	335
ColourForm Tete-a-Tete, Quilted, Two Textiles	336
Comma Bar Stool	233
Comma Chair, Armless	48
Comma Chair with Arms	47
Comma Counter Stool	234
Crosshatch Lounge Chair	107
Crosshatch Ottoman	110
Crosshatch Settee	113
Crosshatch Side Chair	70
Crosshatch Stool	248
Eames® Aluminum Group Executive Chair	262
Eames® Aluminum Group Lounge Chair	81
Eames® Aluminum Group Management Chair	264
Eames® Aluminum Group Ottoman	83
Eames® Aluminum Group Side Chair	14
Eames® Arm Caps, Package of 2	288
Eames® Arm Caps, Package of 20	289
Eames® Chaise	104
Eames® Executive Chair	273
Eames® Lounge Chair	90
Eames® Lounge Chair and Ottoman	86
Eames® Lounge Chair and Ottoman, Ebony	88
Eames® Lounge Chair and Ottoman White Ash	89
Eames® Lounge Chair, Ebony	92
Eames® Lounge Chair White Ash	93
Eames® Low Wire Base, Arm Shell	36

Index by Product Name *continued*

Eames® Molded Fiberglass Armchair	34	Landmark Chair	61
Eames® Molded Fiberglass Side Chair	22	Landmark Low Arm Chair	58
Eames® Molded Fiberglass Stool	235	Leeway™ Metal Frame Side Chair	72
Eames® Molded Plastic Armchair	31	Leeway™ Stool	250
Eames® Molded Plastic Armchair Herman Miller x HAY	33	Leeway™ Wood Side Chair	75
Eames® Molded Plastic Armchair Rocker Base	97	Lispenard Chair	299
Eames® Molded Plastic Side Chair	9	Lispenard Ottoman	298
Eames® Molded Plastic Side Chair Herman Miller x HAY	18	Lispenard Sectional	300
Eames® Molded Plastic Stool	238	Lispenard Sofa	297
Eames® Molded Plywood Dining Chair Metal Base	5	Luva Modular Sofa, 2 Seat Sectional	428
Eames® Molded Plywood Dining Chair Wood Base	7	Luva Modular Sofa, 2 Seat Sofa	429
Eames® Molded Plywood Lounge Chair Metal Base	100	Luva Modular Sofa, 3 Seat Sectional	431
Eames® Molded Plywood Lounge Chair Wood Base	102	Luva Modular Sofa, 3 Seat Sofa	430
Eames® Molded Wood Side Chair	27	Luva Modular Sofa, Chaise	435
Eames® Molded Wood Stool	241	Luva Modular Sofa, Corner Sectional	432
Eames® Ottoman	94	Luva Modular Sofa, Ganging Hardware	437
Eames® Ottoman, Ebony	95	Luva Modular Sofa, Ottoman	436
Eames® Ottoman White Ash	96	Luva Modular Sofa, Single Seat	433
Eames® Side Chair Stacking Base Dolly	29	Mantle Club Chair	195
Eames® Sofa	403	Mantle Ganging Plate	221
Eames® Sofa Compact	401	Mantle Leather Club Chair	198
Eames® Sofa Compact, Herman Miller x HAY	402	Mantle Leather Ottoman	219
Eames® Soft Pad Group Executive Chair	267	Mantle Leather Settee	205
Eames® Soft Pad Group Management Chair	270	Mantle Leather Sofa	213
Eames® Soft Pad Lounge Chair	84	Mantle Ottoman	216
Eames® Soft Pad Ottoman	85	Mantle Settee	200
Eames® Soft Pad Side Chair	16	Mantle Sofa	208
Eames® Task Chair, Arm Shell	275	Nelson Cube Lounge Chair	223
Eames® Task Chair, Side Shell	277	Nelson Cube Sofa 81	426
Eames® Turned Stool	227	Nelson Cube Sofa 92	427
Eames® Upholstered Molded Fiberglass Armchair	41	Nelson™ Coconut Lounge Chair	105
Eames® Upholstered Molded Fiberglass Side Chair	24	Nelson™ Coconut Lounge Chair Leather	222
Eames® Upholstered Molded Fiberglass Stool	236	Nelson™ Marshmallow Sofa	405
Eames® Upholstered Molded Plastic Armchair	38	Nelson™ Pedestal Stool	228
Eames® Upholstered Molded Plastic Armchair Rocker Base	98	Nelson™ Platform Bench	255
Eames® Upholstered Molded Plastic Side Chair	19	Nelson™ Platform Bench Cushion	256
Eames® Upholstered Molded Plastic Stool	239	Nelson™ Swag Leg Armchair	46
Eames® Upholstered Molded Wood Side Chair	44	Nessel Chair	64
Eames® Upholstered Molded Wood Stool	242	Portrait™ Side Chair	78
Eames® Wire Chair	11	Rapport Corner	183
Eames® Wire Chair Herman Miller x HAY	30	Rapport Large Pillow	193
Eames® Wire Stool	244	Rapport Ottoman	191
Envelope® Chair	53	Rapport Settee	185
Full Loop Lounge Chair	226	Rapport Small Pillow	194
Full Loop Office Chair	290	Rapport Sofa	188
Full Twist™ Guest Chair	55	Reframe High-Back Lounge Chair	117
Girard Color Wheel Ottoman	417	Reframe Mid-Back Lounge Chair	115

Index by Product Name *continued*

Index: Product Name

Reframe Wing-Back Lounge Chair	119
Rohde Easy Chair	106
Rolled Arm Club Chair	121
Rolled Arm Sofa	412
Saiba Conference Chair	68
Saiba Guest Chair	178
Saiba Lounge	176
Saiba Multitask Chair	280
Saiba Ottoman	177
Scissor Chair	127
Single Power Unit/Housing	425
Sled Chair	129
Spot Stool	246
Striad High-Back Lounge Chair, 4-Star Base	160
Striad High-Back Lounge Chair, Wire Base	162
Striad High Back Sofa	419
Striad Low Back Armless	346
Striad Low Back Corner	348
Striad Low Back Curve	350
Striad Low-Back Lounge Chair, 4-Star Base	168
Striad Low-Back Lounge Chair, Wire Base	170
Striad Low Back Settee	344
Striad Low Back Sofa	342
Striad Mid-Back Lounge Chair, 4-Star Base	164
Striad Mid-Back Lounge Chair, Wire Base	166
Striad Ottoman, 4-Star Base	172
Striad Ottoman, Wire Base	174
Taper Chair	282
Tuxedo Classic Club Chair	157
Tuxedo Classic Corner Settee	387
Tuxedo Classic Corner Sofa	397
Tuxedo Classic Settee	381
Tuxedo Classic Sofa	391
Tuxedo Component Lounge™ Bench	258
Tuxedo Component Lounge™ Club Chair	131
Tuxedo Component Lounge™ Corner Sofa with Attached Settee	377
Tuxedo Component Lounge™ Corner Sofa with Attached Sofa	379
Tuxedo Component Lounge™ Daybed	144
Tuxedo Component Lounge™ Museum Bench	260
Tuxedo Component Lounge™ Ottoman	142
Tuxedo Component Lounge™ Settee	366
Tuxedo Component Lounge™ Settee Corner	371
Tuxedo Component Lounge™ Sofa	361
Tuxedo Component Lounge™ Sofa Corner	374
Tuxedo Component Lounge with Table - One Seat	146
Tuxedo Component Lounge with Table - Two Seats	151
Tuxedo Ganging Plate	418

U-Chair Lounge Chair	134
U-Chair Lounge Chair with Casters	136
U-Settee	138
U-Sofa	140
Wilkes Modular Sofa Group	352
Wilkes Modular Sofa Group with Table	421
Wireframe™ Chair	123
Wireframe™ Ottoman	125
Wireframe™ Sofa	415

HermanMiller Ancillary Storage

Domino Credenza	page(s) 537, 539, 541, 542, 545, 546
Domino Sideboard	538, 540, 543, 544, 547, 548
Eames® Storage Unit	517
H-Frame Credenza Four Units Wide	575
H-Frame Credenza One Unit Wide	549
H-Frame Credenza Stone Top	584
H-Frame Credenza Three Units Wide	566
H-Frame Credenza Two Units Wide	556
Nelson® Basic Cabinet Series 3-Drawer Cabinet	520
Nelson® Basic Cabinet Series 5-Drawer with Door	521
Nelson® Basic Cabinet Series Bedside Table	519
Nelson® Basic Cabinet Series Console	522
Nelson® Basic Cabinet Series Credenza	524
Nelson® Basic Cabinet Series Media Unit	523
Nelson® Thin Edge Bedside Table	527
Nelson® Thin Edge Buffet	533
Nelson® Thin Edge Chest	529
Nelson® Thin Edge Chest Cabinet	531
Nelson® Thin Edge Double Dresser	535
Nelson™ Miniature Chest 6 Drawer	525
Nelson™ Miniature Chest 9 Drawer	526
Silverware Drawer Insert	585
Sled Base Credenza Four Units Wide	605
Sled Base Credenza Four Units Wide and Stone Top	630
Sled Base Credenza Three Units Wide	598
Sled Base Credenza Three Units Wide and Stone Top	623
Sled Base Credenza Two Units Wide	591
Sled Base Credenza Two Units Wide and Stone Top	616
Sled Base Mobile Credenza	641
Sled Base Mobile Credenza Stone Top	652
Sled Base Mobile Pedestal	636
Sled Base Mobile Pedestal Stone Top	647
Sled Base Pedestal	586
Sled Base Pedestal Stone Top	611

Index by Product Number

411EN	Eames® Turned Stool	page(s) 227	AFCA	Reframe Occasional Table	508
411OU			AFCW		
411WH			AFRA		
412EN			AFRW		
412OU			AFSA		
412WH			AFSW		
413EN			AJN2B	ColourForm Bench, Not Quilted, Single Textile	339
413OU			AJN2B	ColourForm Bench, Quilted, Single Textile	340
413WH			AJN3B	ColourForm Bench, Not Quilted, Single Textile	339
414EN			AJN3B	ColourForm Bench, Quilted, Single Textile	340
414OU			AJN10	ColourForm Chaise, Not Quilted, Single Textile	328
414WH			AJN10	ColourForm Chaise, Quilted, Single Textile	330
473	Eames® Sofa Compact	401	AJN10	ColourForm Chaise, Quilted, Two Textiles	332
473X	Eames® Sofa Compact, Herman Miller x HAY	402	AJN10	ColourForm Club Chair, Not Quilted, Single Textile	325
2003	U-Chair Lounge Chair	134	AJN10	ColourForm Club Chair, Quilted, Single Textile	326
2004	U-Chair Lounge Chair with Casters	136	AJN10	ColourForm Club Chair, Quilted, Two Textiles	327
2006	U-Settee	138	AJN10	ColourForm Corner, Not Quilted, Single Textile	337
2007	U-Sofa	140	AJN10	ColourForm Corner, Quilted, Single Textile	338
4187	Rohde Paldao Side Table	452	AJN10	ColourForm Sofa, Not Quilted, Single Textile	319
4188	Rohde Paldao Coffee Table	451	AJN10	ColourForm Sofa, Quilted, Single Textile	321
5291	Nelson™ Cane Bench	461	AJN10	ColourForm Sofa, Quilted, Two Textiles	323
5451	Nelson™ Pedestal Table Outdoor	731	AJN10	ColourForm Tete-a-Tete, Not Quilted, Single Textile	334
5451L	Nelson™ Pedestal Table	462	AJN10	ColourForm Tete-a-Tete, Quilted, Single Textile	335
5451S			AJN10	ColourForm Tete-a-Tete, Quilted, Two Textiles	336
5451W			AJNG	ColourForm Ganging Kit	341
5452	Nelson™ Pedestal Table Outdoor	731	AL1C1	Bolster Chaise	316
5452L	Nelson™ Pedestal Table	462	AL1C1	Bolster Club Chair	312
5452S			AL1C1	Bolster Corner	313
5452W			AL1C1	Bolster Settee	314
5453	Nelson™ Pedestal Table Outdoor	731	AL1C1	Bolster Sofa	317
5453L	Nelson™ Pedestal Table	462	AL6C0	Bevel Single Seat	311
5453S			AL6C1	Bevel Chaise	306
5453W			AL6C1	Bevel Club Chair	302
5454	Nelson™ Pedestal Table Outdoor	731	AL6C1	Bevel Corner	303
5454L	Nelson™ Pedestal Table	462	AL6C1	Bevel Settee	304
5454S			AL6C1	Bevel Sofa	307
5454W			AL6C2	Bevel Curved Settee	309
5455	Nelson™ Pedestal Table Outdoor	731	AL6C3		
5455L	Nelson™ Pedestal Table	462	AL510	Lispensard Chair	299
5455S			AL510	Lispensard Ottoman	298
5455W			AL510	Lispensard Sectional	300
5569	Nelson™ Coconut Lounge Chair	105	AL510	Lispensard Sofa	297
5569L	Nelson™ Coconut Lounge Chair Leather	222	ALNHS	Layer Occasional Table, High Nesting	500
5670	Nelson™ Marshmallow Sofa	405	ALNLT	Layer Occasional Table, Low Nesting	502
66332	Girard Color Wheel Ottoman	417	ALYSA	Layer Occasional Table, Wood Shelf	504
ACL1A	Claw Table	471	ALYSN	Layer Occasional Table, No Shelf	506
ACL2A	Claw Occasional Table, Square	472	ALYSS	Layer Occasional Table, Stone Shelf	507

Index by Product Number *continued*

Index: Product Number

ALYSW	Layer Occasional Table, Wood Shelf	504
APN22	Mode Desk	442
APS22		
ASB1A	Saiba Table Wood Top	493
ASB1G	Saiba Table Glass Top	496
ASB1T	Saiba Table Thin Profile Top	498
ASB1W	Saiba Table Wood Top	493
AV3AL	Brabo Occasional Table	469
AV3AW		
AV3WL		
AV3WW		
AWB1Z	I-Beam Side Table	486
AWB2G	I-Beam Coffee Table	485
AWB2M		
AWH2G	H-Frame Coffee Table	482
AWH2G	H-Frame Side Table	479
AWH2S	H-Frame Coffee Table	482
AWH2S	H-Frame Side Table	479
AWH2W	H-Frame Coffee Table	482
AWH2W	H-Frame Side Table	479
AWR2-	Full Round Table	473
AXT3-	Tuxedo Component Lounge Tables Tray	487
AXW2-	Tuxedo Component Lounge Tables Square	489
AXW3-	Tuxedo Component Lounge Tables Rectangular	491
B-3-7	Nelson® Triple Bubble Lamp Fixture	705
BC1618	Nelson® Basic Cabinet Series Bedside Table	519
BC2424	Nelson® Basic Cabinet Series 3-Drawer Cabinet	520
BC3440	Nelson® Basic Cabinet Series 5-Drawer with Door	521
BC4627	Nelson® Basic Cabinet Series Media Unit	523
BC4644	Nelson® Basic Cabinet Series Console	522
BC4933	Nelson® Basic Cabinet Series Credenza	524
BELLX	Nelson® Bell Bubble Pendant	694
BK104	Wireframe™ Ottoman	125
BK110	Wireframe™ Chair	123
BK110	Wireframe™ Sofa	415
CCL60	Striad High Back Sofa	419
CCL70	Striad Low Back Sofa	342
CCL80	Striad Low Back Settee	344
CCL90	Striad Low Back Armless	346
CCL92	Striad Low Back Corner	348
CCL94	Striad Low Back Curve	350
CCL100	Striad High-Back Lounge Chair, 4-Star Base	160
CCL101	Striad High-Back Lounge Chair, Wire Base	162
CCL200	Striad Mid-Back Lounge Chair, 4-Star Base	164
CCL201	Striad Mid-Back Lounge Chair, Wire Base	166
CCL300	Striad Low-Back Lounge Chair, 4-Star Base	168
CCL301	Striad Low-Back Lounge Chair, Wire Base	170

CCL400	Striad Ottoman, 4-Star Base	172
CCL401	Striad Ottoman, Wire Base	174
CCL500	Striad® Pedestal Table	466
CM101	Chadwick Module	355
CM102		
CM103		
CM104	Chadwick Base Cover Kit	357
CM105	Chadwick Module	355
CM106		
CM107	Chadwick Power Entry	358
CM108	Chadwick Receptacle Kit	359
CM109	Chadwick Power Jumper	360
CTM.	Eames® Molded Plywood Coffee Table Metal Base	455
CTW.	Eames® Molded Plywood Coffee Table Wood Base	456
CTW1.	Eames® Rectangular Coffee Table	457
CY100.	Pencil Cup	666
CY101.	Tray	667
CY102.	Box	668
CY103.	Tissue Box	669
CY104.	Media Stand	670
CY105.	Paper Tray	671
DAC.	Eames® Molded Plastic Armchair Herman Miller x HAY	33
DAF	Nelson™ Swag Leg Armchair	46
DAR.	Eames® Molded Plastic Armchair	31
DAR.	Eames® Upholstered Molded Plastic Armchair	38
DAW.	Eames® Molded Plastic Armchair	31
DAW.	Eames® Upholstered Molded Plastic Armchair	38
DAX.	Eames® Molded Plastic Armchair	31
DAX.	Eames® Upholstered Molded Plastic Armchair	38
DCM.	Eames® Molded Plywood Dining Chair Metal Base	5
DCW.	Eames® Molded Plywood Dining Chair Wood Base	7
DFAR.	Eames® Molded Fiberglass Armchair	34
DFAR.	Eames® Upholstered Molded Fiberglass Armchair	41
DFAW.	Eames® Molded Fiberglass Armchair	34
DFAW.	Eames® Upholstered Molded Fiberglass Armchair	41
DFAX.	Eames® Molded Fiberglass Armchair	34
DFAX.	Eames® Upholstered Molded Fiberglass Armchair	41
DFHBX.	Eames® Molded Fiberglass Stool	235
DFHBX.	Eames® Upholstered Molded Fiberglass Stool	236
DFHCX.	Eames® Molded Fiberglass Stool	235
DFHCX.	Eames® Upholstered Molded Fiberglass Stool	236
DFSR.	Eames® Molded Fiberglass Side Chair	22
DFSR.	Eames® Upholstered Molded Fiberglass Side Chair	24
DFSS.	Eames® Molded Fiberglass Side Chair	22
DFSW.		
DFSW.	Eames® Upholstered Molded Fiberglass Side Chair	24
DFSX.	Eames® Molded Fiberglass Side Chair	22

Index by Product Number *continued*

DFSX.	Eames® Upholstered Molded Fiberglass Side Chair	24	EA422		
DKC.	Eames® Wire Chair Herman Miller x HAY	30	EA423	Eames® Soft Pad Ottoman	85
DKHBX.	Eames® Wire Stool	244	EA434	Eames® Soft Pad Group Management Chair	270
DKHCX.			EA435		
DKHQBX	Eames® Wire Stool Outdoor	727	EA437	Eames® Soft Pad Group Executive Chair	267
DKHQCX			EA506	Eames® Aluminum Group Side Chair Outdoor	725
DKQR.	Eames® Wire Chair Outdoor	726	EA508		
DKQX.			EA516	Eames® Aluminum Group Lounge Chair Outdoor	728
DKR.	Eames® Wire Chair	11	EA523	Eames® Aluminum Group Ottoman Outdoor	729
DKW.			EAC02	Eames® Arm Caps, Package of 2	288
DKX.			EAC20	Eames® Arm Caps, Package of 20	289
DOLLY.	Eames® Side Chair Stacking Base Dolly	29	EC4150	Rohde Easy Chair	106
DSC.	Eames® Molded Plastic Side Chair Herman Miller x HAY	18	ECT30	Eames® Coffee Table	453
DSHBX.	Eames® Molded Plastic Stool	238	EDU10.	Eames® Desk Unit	441
DSHBX.	Eames® Upholstered Molded Plastic Stool	239	EDU20.		
DSHCX.	Eames® Molded Plastic Stool	238	EDU21.		
DSHCX.	Eames® Upholstered Molded Plastic Stool	239	EE501	Environmental Enrichment Panel, Girls	675
DSR.	Eames® Molded Plastic Side Chair	9	EE507	Environmental Enrichment Panel, Hand & Dove	676
DSR.	Eames® Upholstered Molded Plastic Side Chair	19	EE513	Environmental Enrichment Panel, Stars	679
DSS.	Eames® Molded Plastic Side Chair	9	EE514	Environmental Enrichment Panel, Eyes	673
DSW.			EE517	Environmental Enrichment Panel, Love Heart	678
DSW.	Eames® Upholstered Molded Plastic Side Chair	19	EE529	Environmental Enrichment Panel, Four Leaf Clover	674
DSX.	Eames® Molded Plastic Side Chair	9	EE532	Environmental Enrichment Panel, Knot	677
DSX.	Eames® Upholstered Molded Plastic Side Chair	19	EE535	Environmental Enrichment Panel, Black and White	672
DWHBX.	Eames® Molded Wood Stool	241	ES106	Eames® Chaise	104
DWHBX.	Eames® Upholstered Molded Wood Stool	242	ES108	Eames® Sofa	403
DWHCX.	Eames® Molded Wood Stool	241	ES110		
DWHCX.	Eames® Upholstered Molded Wood Stool	242	ES204	Eames® Executive Chair	273
DWSR.	Eames® Molded Wood Side Chair	27	ES670	Eames® Lounge Chair	90
DWSR.	Eames® Upholstered Molded Wood Side Chair	44	ES670	Eames® Lounge Chair and Ottoman	86
DWSW.	Eames® Molded Wood Side Chair	27	ES670	Eames® Lounge Chair and Ottoman, Ebony	88
DWSW.	Eames® Upholstered Molded Wood Side Chair	44	ES670	Eames® Lounge Chair and Ottoman White Ash	89
DWSX.	Eames® Molded Wood Side Chair	27	ES670	Eames® Lounge Chair, Ebony	92
DWSX.	Eames® Upholstered Molded Wood Side Chair	44	ES670	Eames® Lounge Chair White Ash	93
EA302	Eames® Aluminum Group Side Chair	14	ES671	Eames® Ottoman	94
EA306			ES671	Eames® Ottoman, Ebony	95
EA308			ES671	Eames® Ottoman White Ash	96
EA316	Eames® Aluminum Group Lounge Chair	81	ESU100	Eames® Storage Unit	517
EA322			ESU150		
EA323	Eames® Aluminum Group Ottoman	83	ESU201		
EA334	Eames® Aluminum Group Management Chair	264	ESU230		
EA335			ESU420		
EA337	Eames® Aluminum Group Executive Chair	262	ET5C.	Eames® Indoor/Outdoor Table, Round Herman Miller x HAY	450
EA402	Eames® Soft Pad Side Chair	16	ET22R	Eames® 2500 Series Executive Desk	444
EA406			ET87R		
EA408			ETRT.	Eames® Wire Base Elliptical Table	458
EA416	Eames® Soft Pad Lounge Chair	84	FE1LS	Cyclade Tables	509

Index by Product Number *continued*

Index: Product Number

FE1LW		
FE1MS		
FE1MW		
FE1TS		
FE1TW		
FE21	Cyclade Glass Bowl	691
FSW	Eames® Molded Plywood Folding Screen	664
GLR10	Luva Modular Sofa, Single Seat	433
GLR20	Luva Modular Sofa, Chaise	435
GLR30	Luva Modular Sofa, Ottoman	436
GLR40	Luva Modular Sofa, 2 Seat Sofa	429
GLR45	Luva Modular Sofa, 2 Seat Sectional	428
GLR50	Luva Modular Sofa, 3 Seat Sofa	430
GLR55	Luva Modular Sofa, 3 Seat Sectional	431
GLR60	Luva Modular Sofa, Corner Sectional	432
GLR70	Luva Modular Sofa, Ganging Hardware	437
GRF24	Girard® Flower Tables	513
GRF32		
H737S	Nelson® Lantern Bubble Pendant	697
H737T	Nelson® Lantern Tripod Lamp	715
H761C	Nelson® Ball Crisscross Bubble Pendant	701
H761L	Nelson® Ball Bubble Pendant	693
H761L	Nelson® Ball Lotus Table Lamp	710
H761M	Nelson® Ball Bubble Pendant	693
H761S		
H761S	Nelson® Ball Wall Sconce	706
H761T	Nelson® Ball Tripod Lamp	713
H762C	Nelson® Cigar Crisscross Bubble Pendant	702
H762L	Nelson® Cigar Bubble Pendant	695
H762L	Nelson® Cigar Lotus Floor Lamp	717
H762L	Nelson® Cigar Lotus Table Lamp	711
H762M	Nelson® Cigar Bubble Pendant	695
H762S		
H762S	Nelson® Cigar Wall Sconce	707
H762T	Nelson® Cigar Tripod Lamp	714
H762X	Nelson® Cigar Bubble Pendant	695
H763C	Nelson® Saucer Crisscross Bubble Pendant	704
H763L	Nelson® Saucer Bubble Pendant	700
H763M		
H763S		
H763S	Nelson® Saucer Wall Sconce	709
H763X	Nelson® Saucer Bubble Pendant	700
H764M	Nelson® Roll Bubble Pendant	719
H766M	Nelson® Apple Bubble Pendant	692
H769L	Nelson® Angled Bubble Pendant	720
H769M		
H769S		
H770C	Nelson® Pear Crisscross Bubble Pendant	703
H770L	Nelson® Pear Lotus Floor Lamp	718
H770L	Nelson® Pear Lotus Table Lamp	712
H770M	Nelson® Pear Bubble Pendant	698
H770S		
H770S	Nelson® Pear Wall Sconce	708
H770T	Nelson® Pear Tripod Lamp	716
H771M	Nelson® Orbit Bubble Pendant	722
H771S		
HA-GI	Girard® Environmental Enrichment Posters	686
HA-GT	Girard® Throw	665
HA-LE	Hot Dog Picnic Poster	685
HA-LE	Limited Edition Armin Hoffman	682
HA-LE	Sweet Corn Picnic Poster	683
HA-LE	Watermelon Picnic Poster	684
HA-NE	Nelson Ads	688
HA-NP	Nelson Pop Art Series	689
HA-NP	Pop Art Individual	690
HIA91	Eames® Hang-It-All®	661
HIABK		
HIAC	Eames® Hang-It-All® Herman Miller x HAY	662
HIAM	Eames® Hang-It-All® MoMA Edition	663
HIAML	Eames® Hang-It-All®	661
HIAOU		
HIAPR		
HIAUL		
IN50	Noguchi® Table	464
IN52	Noguchi® Rudder Table	465
IWCM2	Domino Credenza	542
IWCM3	Domino Credenza	545
IWCM4	Domino Credenza	546
IWCS2	Domino Credenza	537
IWCS3	Domino Credenza	539
IWCS4	Domino Credenza	541
IWSM2	Domino Sideboard	544
IWSM3	Domino Sideboard	547
IWSM4	Domino Sideboard	548
IWSS2	Domino Sideboard	538
IWSS3	Domino Sideboard	540
IWSS4	Domino Sideboard	543
JA	Silverware Drawer Insert	585
JCH1-	H-Frame Credenza One Unit Wide	549
JCH1S	H-Frame Credenza Stone Top	584
JCH2-	H-Frame Credenza Two Units Wide	556
JCH2S	H-Frame Credenza Stone Top	584
JCH3-	H-Frame Credenza Three Units Wide	566
JCH3S	H-Frame Credenza Stone Top	584

Index by Product Number *continued*

JCH4-	H-Frame Credenza Four Units Wide	575	NS585	Nelson™ Swag Leg Dining Table Rectangular	445
JCH4S	H-Frame Credenza Stone Top	584	NS585	Nelson™ Swag Leg Dining Table Round	446
JCS1-	Sled Base Pedestal	586	NS585	Nelson™ Swag Leg Work Table	447
JCS1S	Sled Base Pedestal Stone Top	611	NX100.	Nelson™ X-Leg Table	448
JCS2-	Sled Base Credenza Two Units Wide	591	PACCF.	Eames® Task Chair, Arm Shell	275
JCS2S	Sled Base Credenza Two Units Wide and Stone Top	616	PACCP.		
JCS3-	Sled Base Credenza Three Units Wide	598	PB.	Nelson™ Platform Bench	255
JCS3S	Sled Base Credenza Three Units Wide and Stone Top	623	PBC.	Nelson™ Platform Bench Cushion	256
JCS4-	Sled Base Credenza Four Units Wide	605	PROP1	Nelson® Propeller Bubble Pendant	699
JCS4S	Sled Base Credenza Four Units Wide and Stone Top	630	PROP2		
JMS1-	Sled Base Mobile Pedestal	636	PS16	Nelson™ Pedestal Stool	228
JMS1S	Sled Base Mobile Pedestal Stone Top	647	PSCCD.	Eames® Task Chair, Side Shell	277
JMS2-	Sled Base Mobile Credenza	641	PSCCF.		
JMS2S	Sled Base Mobile Credenza Stone Top	652	PSCCP.		
LARF.	Eames® Low Wire Base, Arm Shell	36	PSCCR.		
LARP.			PTA	Geiger Textile Pillow	680
LCM.	Eames® Molded Plywood Lounge Chair Metal Base	100	PTB		
LCW.	Eames® Molded Plywood Lounge Chair Wood Base	102	PTC		
LN10A	Betwixt Chair with Arms	49	PTD		
LN10N	Betwixt Chair, Armless	51	PWL14	Polygon Wire Table	511
LN20N	Betwixt Counter Stool	229	PWL22		
LN30N	Betwixt Bar Stool	231	PWL26		
LN40A	Betwixt Bench	253	PWM14		
LTRT.	Eames® Wire Base Low Table	459	PWM18		
LTRT.	Eames® Wire Base Low Table Outdoor	730	PWM26		
LTRTC.	Eames® Wire Base Low Table Herman Miller x HAY	460	PWS16		
MAS18	Spot Stool	246	PWS20		
MAS24			PWS26		
MAS30			PX501.	Single Power Unit/Housing	425
MG101	Wilkes Modular Sofa Group	352	RAR.	Eames® Molded Plastic Armchair Rocker Base	97
MG102			RAR.	Eames® Upholstered Molded Plastic Armchair Rocker Base	98
MG103			SBEV-	Envelope® Chair	53
MG104			SBLAC	Landmark Low Arm Chair	58
MG105			SBLAF		
MG106			SBLLC	Landmark Chair	61
MG123	Wilkes Modular Sofa Group with Table	421	SBLLF		
MG124			SBN1H	Saiba Conference Chair	68
MG125			SBN1M		
MG126			SBN3H	Saiba Multitask Chair	280
NC526	Nelson™ Miniature Chest 6 Drawer	525	SBN3M		
NC529	Nelson™ Miniature Chest 9 Drawer	526	SBN5H	Saiba Lounge	176
NC556	Nelson™ Miniature Chest 6 Drawer	525	SBN6	Saiba Ottoman	177
NC559	Nelson™ Miniature Chest 9 Drawer	526	SBN7M	Saiba Guest Chair	178
NCU1	Nelson Cube Lounge Chair	223	SBR4H	Bumper High Arm Lounge Chair, 4 Star	224
NCU2	Nelson Cube Sofa 81	426	SBR4L	Bumper Low Arm Side Chair, 4 Star	291
NCU3	Nelson Cube Sofa 92	427	SBR5H	Bumper High Arm Conference Chair, 5 Star	293
NS585	Nelson™ Swag Leg Desk	443	SBR5L	Bumper Low Arm Conference Chair, 5 Star	284

Index by Product Number *continued*

Index: Product Number

SBRA- Rolled Arm Club Chair	121	SK3N	
SBRA- Rolled Arm Sofa	412	SK4A Rapport Ottoman	191
SBRLH Bumper High Arm Side Chair, 4 Leg	295	SK4B	
SBRLH Bumper High Arm Side Chair, 4 Leg	295	SK5 Rapport Large Pillow	193
SBRLH Bumper Low Arm Side Chair, 4 Leg	286	SK6 Rapport Small Pillow	194
SBSC- Scissor Chair	127	SL10 Full Loop Office Chair	290
SBSD-		SL10W	
SBSU- Sled Chair	129	SL1W	
SEB1B Crosshatch Stool	248	SL1WW	
SEB1C		SL3O Full Loop Lounge Chair	226
SES1A Crosshatch Lounge Chair	107	SL3OW	
SES1W		SL3W	
SES2A Crosshatch Side Chair	70	SL3WW	
SES2W		SNS1A Nessel Chair	64
SES3A Crosshatch Ottoman	110	SNS1W	
SES3W		SNS2A	
SES4A Crosshatch Settee	113	SNS2W	
SES4W		SR1AN Mantle Club Chair	195
SFA1P Taper Chair	282	SR1AP	
SFA1S		SR1HA Mantle Leather Club Chair	198
SFA1T		SR1HN	
SFA2P		SR1NN Mantle Club Chair	195
SFA2S		SR1NP	
SFA2T		SR2AL Mantle Settee	200
SFT1A Full Twist™ Guest Chair	55	SR2AN	
SFT1M		SR2AP	
SFT1N		SR2AR	
SFT1W		SR2CL	
SH1AS Portrait™ Side Chair	78	SR2CR	
SH1AU		SR2HA Mantle Leather Settee	205
SH1AW		SR2HC	
SH1NS		SR2HN	
SH1NU		SR2NN Mantle Settee	200
SH1NW		SR2NP	
SJAA Reframe Mid-Back Lounge Chair	115	SR3AL Mantle Sofa	208
SJAW		SR3AN	
SJBA Reframe High-Back Lounge Chair	117	SR3AP	
SJBW		SR3AR	
SJCA Reframe Wing-Back Lounge Chair	119	SR3CL	
SJCW		SR3CR	
SK1 Rapport Corner	183	SR3HA Mantle Leather Sofa	213
SK2A Rapport Settee	185	SR3HC	
SK2CL		SR3HN	
SK2CR		SR3NN Mantle Sofa	208
SK2N		SR3NP	
SK3A Rapport Sofa	188	SR4H0 Mantle Leather Ottoman	219
SK3CL		SR4H1	
SK3CR			

Index by Product Number *continued*

SR4H2		
SR4H3		
SR4HL		
SR4HR		
SR4LW	Mantle Ottoman	216
SR4RW		
SR5	Mantle Ganging Plate	221
SR40W	Mantle Ottoman	216
SR41W		
SR42W		
SR43W		
ST1AN	Tuxedo Component Lounge™ Club Chair	131
ST1AQ		
ST1BN	Tuxedo Component Lounge™ Ottoman	142
ST1BQ		
ST1NN	Tuxedo Component Lounge™ Club Chair	131
ST1NQ		
ST2AL	Tuxedo Component Lounge™ Settee	366
ST2AN		
ST2AQ		
ST2AR		
ST2BN	Tuxedo Component Lounge™ Bench	258
ST2BQ		
ST2CL	Tuxedo Component Lounge™ Settee Corner	371
ST2CR		
ST2MN	Tuxedo Component Lounge™ Corner Sofa with Attached Settee	377
ST2MQ		
ST2NN	Tuxedo Component Lounge™ Settee	366
ST2NQ		
ST3AL	Tuxedo Component Lounge™ Sofa	361
ST3AN		
ST3AQ		
ST3AR		
ST3BN	Tuxedo Component Lounge™ Museum Bench	260
ST3BQ		
ST3CL	Tuxedo Component Lounge™ Sofa Corner	374
ST3CR		
ST3DN	Tuxedo Component Lounge™ Daybed	144
ST3DQ		
ST3MN	Tuxedo Component Lounge™ Corner Sofa with Attached Sofa	379
ST3MQ		
ST3NN	Tuxedo Component Lounge™ Sofa	361
ST3NQ		
STGP	Tuxedo Ganging Plate	418
SVMP	Leeway™ Metal Frame Side Chair	72
SVMUA		
SVMUW		
SVMWA		
SVMWW		
SVSPB	Leeway™ Stool	250
SVSPC		
SVSUA		
SVSUW		
SVSWA		
SVSWW		
SVV4A	Brabo Lounge Chair	180
SVV4W		
SVV5A	Brabo Settee	406
SVV5W		
SVV6A	Brabo Sofa	409
SVV6W		
SVWUA	Leeway™ Wood Side Chair	75
SVWUW		
SVWWA		
SVWWW		
SX1AL	Tuxedo Component Lounge with Table - One Seat	146
SX1AR		
SX1NL		
SX1NR		
SX2AL	Tuxedo Component Lounge with Table - Two Seats	151
SX2AR		
SX2CL		
SX2CR		
SX2NL		
SX2NR		
SZ1AB	Tuxedo Classic Club Chair	157
SZ2AB	Tuxedo Classic Settee	381
SZ2AL		
SZ2AN		
SZ2AR		
SZ2CL	Tuxedo Classic Corner Settee	387
SZ2CR		
SZ2ZL		
SZ2ZR		
SZ3AB	Tuxedo Classic Sofa	391
SZ3AL		
SZ3AN		
SZ3AR		
SZ3CL	Tuxedo Classic Corner Sofa	397
SZ3CR		
SZ3ZL		
SZ3ZR		
TE0204	Nelson® Thin Edge Double Dresser	535

Index by Product Number *continued*



Index: Product Number

TE1618	Nelson® Thin Edge Bedside Table	527
TE2100	Nelson® Thin Edge Chest	529
TE2167	Nelson® Thin Edge Buffet	533
TE3400	Nelson® Thin Edge Chest Cabinet	531
WA10A	Comma Chair with Arms	47
WA10N	Comma Chair, Armless	48
WA20N	Comma Counter Stool	234
WA30N	Comma Bar Stool	233

20-Day or Less/Assigned Lead-Time Order Information

20-Day or Less and Assigned Lead-Time Programs

20-day or less and assigned lead-time products are designed for established Herman Miller dealers with pre-approved credit.

Products are distributed from multiple manufacturing facilities across the United States. All products and options not designated by an Assigned Lead-Time icon  will ship in 20 business days or less after being acknowledged by Herman Miller. Products and options designated by an  are on the assigned lead-time program and will ship in 20 days, less than 20 days, or more than 20 days from order acknowledgement.

Ordering Procedure

Please place orders through Order Manager. If this is not available to you, place orders through mail or fax. Verbal purchase orders will not be accepted.

Order Entry fax number for Meridian®

Filing and Storage: (616) 846 9236.

Order Entry fax number for all other products:

(616) 654 3085.

For more information, contact your Customer Care representative at:
(866) 854 3048 ext 3400.

Shipments and Delivery

Per Herman Miller Terms and Conditions.

Changes and Cancellation

Per Herman Miller Terms and Conditions.

Stain-to-Match Program

Stain-to-Match Program

Program Overview

The Stain-to-Match program gives you the option of using veneer finishes that are not listed in the standard offering. The program allows Herman Miller to match a customer's existing recut or natural veneer, or create a new finish that is unique to an installation.

Specific information on approval, ordering, pricing, and warranty for the Stain-to-Match program is listed below. Questions and requests for assistance may be directed to Herman Miller Options at:

(800) 654 3910

Stain-to-Match Process

1. Fill out the Options Stain-to-Match Request Form and send along with a color sample (2" x 3" minimum) to the Herman Miller Options Applications Team at the address provided on the form. The form can be found on Omni.
2. Within 7-10 working days, Herman Miller Options will send a sample of the color-matched stain on Herman Miller veneer to the requester for the customer's signed approval.
3. If the sample meets the customer's approval, sign the reverse side of the sample, scan and email the approval to: options@hermanmiller.com.
4. After the stain has been approved, a formal quotation with special number and pricing can be provided, or the product can be specified through the Vary Easy program, if available. Work with the Options team on final product needs and how to specify.
5. A purchase order can then be placed.

Stain-to-Match Warranty

Herman Miller warrants its products to be free from defects in craftsmanship from the date of delivery for the applicable warranty period. Herman Miller is responsible for the physical properties of the veneers available through the Stain-to-Match program, which include:

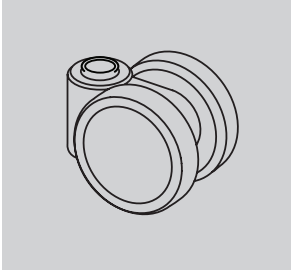
- STA: Stain-to-Match on Recut Ash
- STC: Stain-to-Match on Cherry
- STD: Stain-to-Match on Oak
- STK: Stain-to-Match on Reltech Anigre (Geiger)
- STP: Stain-to-Match on Maple
- STU: Stain-to-Match on Walnut (Geiger)

See your specification tool for product specific finish offering limitations.

Casters and Glides

▲	WARNING	▲
Depending on the floor surface, chair may unexpectedly roll away from user when entering or exiting the chair, possibly leading to unexpected injury. Please refer to descriptions of floor types when selecting casters.		

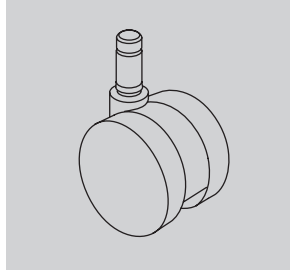
32 Caster



1⁷/₈-inch-diameter hard double-wheel caster; black nylon wheels and yoke; for use on carpet only

Applicable on:
Sayl® Chairs

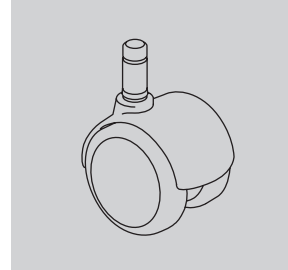
BB Caster



2¹/₂-inch-diameter hard double-wheel caster; black nylon wheels and yoke; for use on carpet only

Applicable on:
Asari Chair by Herman Miller™
New Aeron® Chairs
Caper® Chairs
Embody® Chairs
Fuld Nesting Chairs
Lino™ Chairs
Sayl Chairs
Mirra® 2 Chairs, Verus™ Chairs

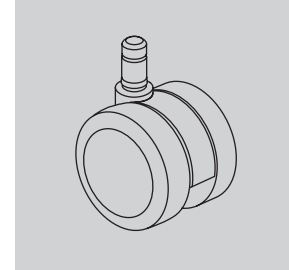
BSC Caster



2-inch-diameter double-wheel caster; black nylon wheels and hood; soft polyurethane tread; for use on hard floors or carpet

Applicable on:
Eames® Aluminum Group
Eames Executive Chairs
Eames Soft Pad Group
Eames Task Chairs

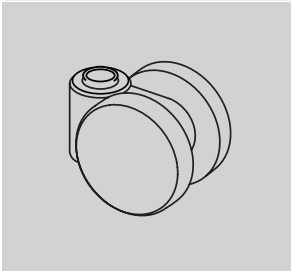
C9 Caster



2¹/₂-inch-diameter double-wheel caster; black nylon wheels and yoke; soft polyurethane tread; internal brake; for use on hard floors or carpet

Applicable on:
Caper Chairs
Embody Chairs
Lino Chairs
Mirra 2 Chairs
Sayl Chairs
Setu® Chairs
Verus Chairs

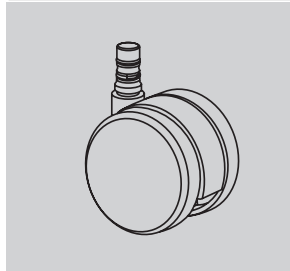
49 Caster



1⁷/₈-inch-diameter soft double-wheel caster; black nylon wheels and yoke; for use on hard floors or carpet

Applicable on:
Sayl Chairs

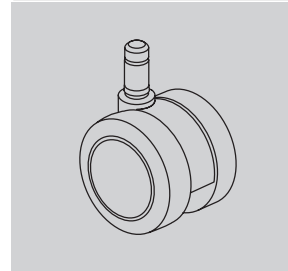
BKS Caster



2¹/₂-inch-diameter hard double-wheel caster; black yoke; quiet roll technology; for use on carpet only

Applicable on:
Cosm™ Chairs

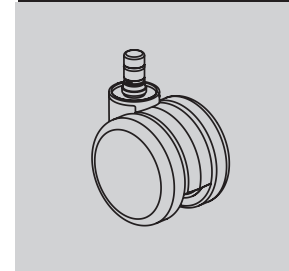
C7 Caster



2¹/₂-inch-diameter double-wheel caster; black nylon wheels and yoke; soft polyurethane tread; for use on hard floors or carpet

Applicable on:
Asari Chair by Herman Miller™
New Aeron Chairs
Caper Chairs
Embody Chairs
Fuld Nesting Chairs
Lino Chairs Sayl Chairs
Mirra 2 Chairs Verus Chairs

CSQ Caster



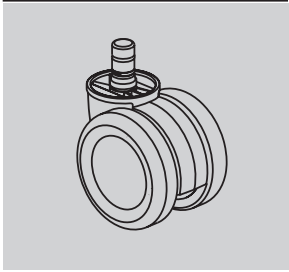
2¹/₂-inch-diameter double-wheel caster; color-matched nylon wheels and yoke; soft polyurethane tread; for use on hard floors or carpet

Applicable on:
Zeph® Chairs

Casters and Glides

continued

DC1 Caster

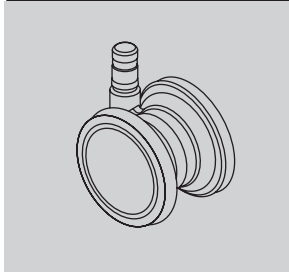


2¹/₂-inch-diameter double-wheel braking caster; black nylon wheels and yoke; for use on hard floors or carpet; quiet roll technology

Applicable on:

New Aeron Chairs

H9 Caster

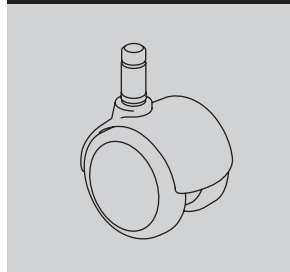


2¹/₂-inch-diameter double-wheel caster; clear polycarbonate wheels; nylon yoke; soft polyurethane tread; for use on carpet only

Applicable on:

Embody Chairs

MD Caster

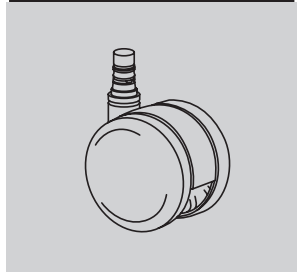


2-inch-diameter double-wheel caster; black nylon wheels with integral chrome hood; soft polyurethane tread; for use on hard floors or carpet

Applicable on:

Eames® Aluminum Group
Eames Executive Chairs
Eames Soft Pad Group
Eames Task Chairs

OC Caster

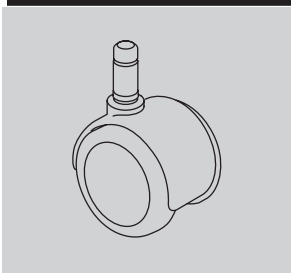


2¹/₂-inch-diameter double-wheel medium roll-resistant caster; black nylon wheels and yoke; soft polyurethane tread; for use on hard floors or carpet; quiet roll technology

Applicable on:

Cosm Chairs
Fuld Nesting Chairs
Setu Chairs

DS Caster

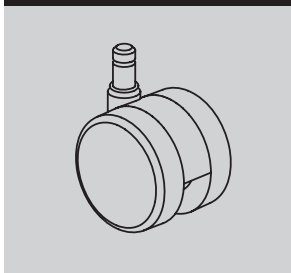


2-inch-diameter soft double-wheel braking caster; black nylon wheels and hood; for use on hard floors only

Applicable on:

Aside® Chairs
Caper Chairs

HCC Caster



2¹/₂-inch-diameter double-wheel low roll resistance caster; black yoke; for use on hard floors or carpet

Applicable on:

Setu Chairs

O2 Caster

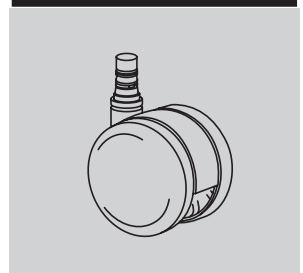


2¹/₂-inch-diameter double-wheel caster; nylon wheels and yoke; soft polyurethane tread; quiet roll technology; for use on hard floors or carpet

Applicable on:

Cosm Chairs

SC8 Caster



2¹/₂-inch-diameter double-wheel caster; black nylon wheels and yoke; soft polyurethane tread; quiet roll technology; for use on hard floors or carpet

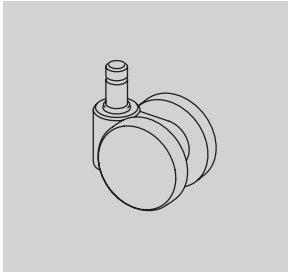
Applicable on:

Cosm Chairs
Fuld Nesting Chairs
Lino Chairs
Mirra 2 Chairs
Verus Chairs

Casters and Glides

continued

U4 Caster

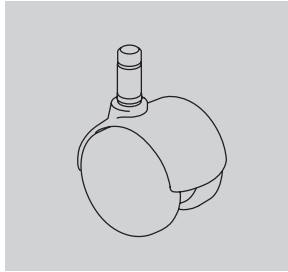


1⁷/₈-inch-diameter hard double-wheel caster; black nylon wheels and yoke; for use on carpet only

Applicable on:

Aside Chairs
Verus Chairs

UD Caster

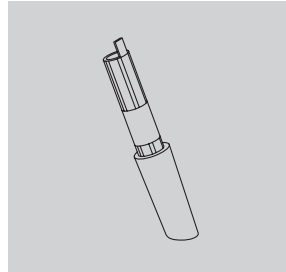


2-inch-diameter hard double-wheel caster; black nylon wheels with painted hood; for use on carpet only

Applicable on:

Eames® Aluminum Group
Eames Executive Chairs
Eames Soft Pad Group
Eames Task Chairs

16 Glide

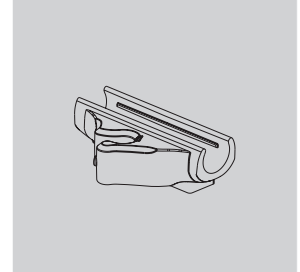


(Front glide shown)
2¹/₈-inch-high glide; black or fog acetal; for use on carpet only

Applicable on:

Sayl Chairs

FGG Glide

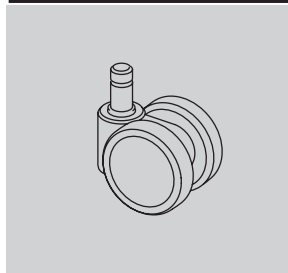


1/2-inch-high ganging glide; black ABS plastic with black felt bottom; for use on resilient flooring

Applicable on:

Pronta Stacking Chairs

U5 Caster

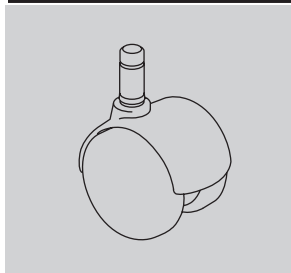


1⁷/₈-inch-diameter soft double-wheel caster; black nylon wheels and yoke; for use on hard floors or carpet

Applicable on:

Aside Chairs
Caper Chairs
Verus Chairs

VD Caster

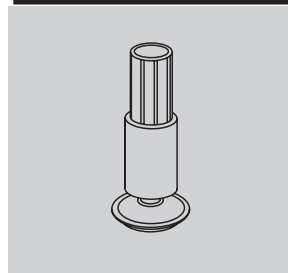


2-inch-diameter hard double-wheel caster; black nylon wheels with integral chrome hood; for use on carpet only

Applicable on:

Eames Aluminum Group
Eames Executive Chairs
Eames Soft Pad Group
Eames Task Chairs

69 Glide

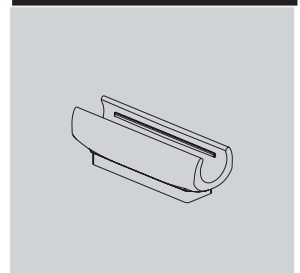


(Front glide shown)
2¹/₈-inch-high glide; black glass-filled nylon stem; steel-plated swivel foot with Floor Saver Glide™ insert; for use on hard floors only

Applicable on:

Sayl Chairs

FTG Glide



1/2-inch-high glide; black ABS plastic with black felt bottom; for use on resilient flooring

Applicable on:

Pronta Stacking Chairs

Casters and Glides

continued

G4 Glide



1 7/8-inch-high glide; black acetal; for use on carpet only

Applicable on:

Verus Chairs

GF Glide



2 1/2-inch-high glide; black nylon; for use on hard floors or carpet

Applicable on:

New Aeron Chairs
Caper Chairs
Cosm Chairs
Lino Chairs
Mirra 2 Chairs
Sayl Chairs
Verus Chairs

GG Glide



1/2-inch-high ganging glide; clear polycarbonate; for use on hard floors or carpet

Applicable on:

Pronta Stacking Chairs

GLN Glide



Acetal glide; for use on carpet only

Applicable on:

Fuld Nesting Chairs

GD Glide



1 1/2-inch-diameter glide; 1/2 inch in height; black nylon; for use on hard floors or carpet

Applicable on:

Eames Aluminum Group
Eames Executive Chairs
Eames Soft Pad Group
Eames Task Chairs

GFG Glide



Floor Saver Glide™ insert; for use on hard floors only

Applicable on:

Zeph Chairs

GL Glide



1 7/8-inch-high glide; black nylon stem; steel-plated swivel foot with Floor Saver Glide™ insert; for use on hard floors only

Applicable on:

Verus chairs

GNB Glide



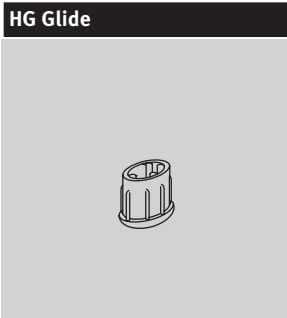
Swivel glide; nylon base; for use on carpet only

Applicable on:

Zeph Chairs

Casters and Glides

continued



1/2-inch-high glide; black nylon glide with stainless-steel insert; for use on hard floors or carpet

Applicable on:
Aside Chairs



1/2-inch-high glide; clear polycarbonate; for use on hard floors or carpet

Applicable on:
Prona Stacking Chairs



1/8-inch-high glide; polycarbonate in black, fog, clear, and studio white finishes; for use on hard floors or carpet

Applicable on:
Sayl Chairs



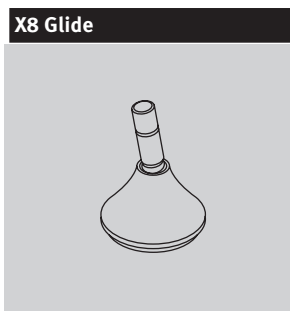
1 7/8-inch-high glide; black nylon stem; steel-plated swivel foot with Floor Saver Glide™ insert; for use on hard floors only

Applicable on:
Caper Chairs



1/2-inch-high glide; black nylon; for use on carpet only

Applicable on:
Aside Chairs



Glide; low profile; for use on hard floors or carpet

Applicable on:
Setu Chairs



1 7/8-inch-high glide; black acetal; for use on carpet only

Applicable on:
Caper Chairs



Customer's Own Material/Customer's Own Leather Order Information — Seating

Packaging

Packaging varies according to individual product. A surcharge may be added for special packaging requests. Contact Customer Care for specific information.

Customer's Own Material/Customer's Own Leather

Program Overview

The Customer's Own Material (COM) and Customer's Own Leather (COL) program gives you the option of using textiles other than those listed. Herman Miller will test textiles for application to Herman Miller products and will process orders for those with approved COM/COL textiles only. COM/COL are assigned lead-time textiles.

Omni lists an overview of fabrics and leathers that have been tested and indicates whether or not they were approved for application to Herman Miller products.

Specific information on the terms and conditions, testing, approval, and ordering process for COM/COL is listed below. Questions about the COM/COL program and requests for assistance may be directed to your COM representative at:

(616) 654 3400

(866) 854 3048 ext 6543400

Customer's Own Material/Customer's Own Leather Warranty

Herman Miller does not warrant COM/COL textiles. COM/COL textiles are tested for application only; they are not tested for performance. The Herman Miller warranty does apply to the underlying products.

Suppliers of COM/COL textiles are responsible for color consistency within commercial tolerances, UV stability, and resistance to soiling and perspiration.

Customer's Own Material/Customer's Own Leather Pricing

COM is a Category 1 fabric. There are no application charges for COM fabrics. COL is a Category 7 textile; refer to prices on specific products to determine the application charge.

Ordering and payment for COM/COL textile yardage are the responsibility of the customer and the textile supplier.

If desired, Herman Miller will purchase COM textiles directly from Maharam, Camira, C.F. Stinson, Guilford of Maine, Luna Textiles, Momentum Textiles and Ultrafabrics to simplify ordering and shipment. For this service, refer to the Supplier Connection program.

Textile Approval

1. Select a COM textile and a Herman Miller product.
2. If your textile does not show as tested in Omni, submit a request. You will be required to select a specific color of the textile and feature of the product to test, i.e., seat, back, etc.
3. Herman Miller will notify you of approval or disapproval within 4 days from receipt of the test yardage.

Ordering Products with COM/COL

1. Refer to the specific products to determine the yardage required for COM/COL textiles.
Note: Additional yardage may be needed due to the unique characteristics of a textile.
2. Obtain the COM ID# in Omni. If the color you are ordering does not have a COM ID# assigned, click "Create ID".
3. Enter your order on Order Manager in Omni.
4. Upon receipt of your purchase order, Herman Miller will send you a PO acknowledgment.
5. Arrangements must be made for the textiles to be shipped from the supplier to Herman Miller for application to the seating products. Textiles must be tagged with the assigned identification number and the roll yardage quantity. See Omni for shipping procedures and current shipping addresses or contact a COM representative at
(616) 654 3400 or (866) 854 3048 ext 6543400.

Products will be scheduled for production when COM/COL textiles are received at Herman Miller. Standard lead times in effect at that time will apply.

Note: If textiles are to be purchased directly by Herman Miller through the Supplier Connection program, Herman Miller will handle the ordering and shipping process and will schedule your order for production upon receipt of your purchase order (dependent on textile availability). Refer to the Supplier Connection program for more information.

Customer's Own Material/Customer's Own Leather Order Information — Seating

continued

Supplier Connection

Program Overview

The Supplier Connection program is a service offered by Herman Miller to purchase approved COM textiles directly from Maharam, Camira, C.F. Stinson, Guilford of Maine, Luna Textiles, Momentum Textiles and Ultrafabrics. When you select a textile through this program, Herman Miller will facilitate the ordering, scheduling, and shipment of the textile directly with the supplier.

Suppliers included in the Supplier Connection program keep an active inventory of textiles that are pre-approved for application to Herman Miller products. Pre-approval applies only to the suitability of a textile for manufacturing and application to a Herman Miller product. Omni provides an overview of fabrics that have been tested and indicates whether or not they were approved for application to Herman Miller products.

Specific information on the terms and conditions, testing, approval, and ordering process for the Supplier Connection program is listed below. Questions and requests for assistance may be directed to your COM representative at:

(616) 654 3400

(866) 854 3048 ext 6543400

Supplier Connection Warranty

Textiles purchased by Herman Miller through the Supplier Connection program are COM and are not warranted by Herman Miller. COM textiles are tested for application only; they are not tested for performance. The Herman Miller warranty does apply to the underlying products.

Suppliers of COM textiles are responsible for color consistency within commercial tolerances, UV stability, and resistance to soiling and perspiration.

Supplier Connection Pricing

Textiles purchased by Herman Miller through the Supplier Connection program are COM. COM is a Category 1 fabric. There are no application charges for COM fabrics.

Payment for textiles purchased by Herman Miller through the Supplier Connection program is the responsibility of the customer or dealer. Herman Miller will invoice the order at a total product cost based on the supplier's price published at the time of the order.

Textile Approval

1. Select a COM textile and a Herman Miller product.
2. If your textile does not show as tested in Omni, submit a request. You will be required to select a specific color of the textile and feature of the product to test, i.e., seat, back, etc.
3. Herman Miller will notify you of approval or disapproval within 4 days from receipt of the test yardage.

Ordering Products with Supplier Connection COM

1. Identify and include the following information on your purchase order:
 - Product number and option
 - Herman Miller's COM identification number
2. Enter your order on Order Manager in Omni.
3. Upon receipt of the purchase order, Herman Miller will process your order and send you a PO acknowledgment. Herman Miller will determine the yardage required to produce your product and will order and schedule for delivery the required textile. Standard lead times in effect at the time the textile is allocated at the supplier will apply to products ordered through this program.

Textiles Application Chart — Ancillary Seating, HermanMiller

• Available

[A] Assigned lead-time textile.

[A] Maharam textiles are on assigned lead times.

See below for exception notes.

[N] Non-woven textile.

	Betwixt Seating	Bevel Sofa Group	Bolster Sofa Group	Chadwick Modular Seating	ColourForm Sofa Group	Eames® Aluminum Group Outdoor	Eames Aluminum Group Chairs/Ottomans	Eames Executive Chairs	Eames Lounge Chairs/Ottomans	Eames Molded Fiberglass/Plastic/Wood Chairs Upholstered Seat Pad	Eames Molded Fiberglass/Plastic Chairs Upholstered	Eames Molded Plywood Chair Upholstered	Eames Sofa, 2 and 3 Seat	Eames Sofa Compact	Eames Soft Pad Chairs/Ottomans	Eames Task Chair	Eames Wire Seating Upholstered Seat Pad	Eames Wire Seating Upholstered Seat and Back	Girard Color Wheel Ottoman	Lispemard Sofa Group	Luva Sofa Group	Nelson™ Coconut Chair—Prone Leather	Nelson Cube Sofa Group	Nelson Daybed Cushion/Bolsters	Nelson Marshmallow Sofa	Nelson Pedestal Stool	Nelson Platform Bench Cushion	Portrait™ Chair	Striad Lounge Seating	Wilkes Modular Sofa Group	Wireframe™ Sofa Group									
Price Category 1																																								
COM Customer's Own Material [A]	1	1	1	1		1	1	1	1	1	1	1	13	1	1		1			1					1	1	1	1	1	1	1	1	1							
3DE__ Dex		•	•							•		•	13													•	•					•								
95__ Gem							•				•		13	•											•		•					•								
1MN__ Monologue		•	•				•	•			•		13								•												•							
4SC__ Scatter							•	•		•	•				•		•									•	•					•		•						
3DN__ Scribe	•	•	•				•	•		•	•					•					•					•						•		•						
235__ Tailored													13	•													•						•							
1WS__ Whisper		•	•	•								•			•											•	•						•							
Price Category 2																																								
3AR__ Aristo		•	•							•	•		13								•						•	•					•							
92__ Crepe							•	•		•	•	•	13	•	•	•									•	•	•					•	•	•						
3EP__ Epic		•	•							•			13																			•		•						
3DP__ Hint		•	•							•				•							•													•						
1MV__ Marvel [N]		•	•																		•													•						
1HA__ Medley	•	•	•	•	•		•	•		•	•	•	13	•	•	•					•			•			•	•	•				•	•	•					
4ME__ Mellow			•							•	•		13				•									•	•	•						•	•					
ZMA__ Metaphor - Maharam [A]		•	•				2	•	2	•	•		2	2	2	2				•						•	2						•	•	•					
81__ Muse - Maharam [A]							•	•						•	•										•	•								•	•					
30__ Rhythm												•														•								•	•					
3SL__ Sequel [N]							•	•		•	•		13	•	•										•									16	•	•				
4TE__ Terra		•	•				•	•		•	•		13			•					•					•	•								•	•				
8R__ Twist							•	•			•		13	•												•									•	•				
Price Category 3																																								
3AC__ Ace [N]		•	•				•	•		•	•		13	•							•						•	•						•	•					
43Z__ Fractal	•	•	•				•	•		•	•	•	•	•			•				•					•	•	•							•	•				
ZM2__ Meld - Maharam [A] *		•	•							•			13					•					•				•	•	•							•	•			
4GE__ Parcel	•	•	•				•	•		•	•	•	•				•				•					•	•	•								•	•			
180__ Saille - Geiger Textile		•	•	•				•			•		13	5							•						•	•	•							•	•			
Price Category 4																																								
54__ Cygnus™						7																																		
3DM__ Daydream							•	•		•	•		13	•	•											•	•									•	•			
1AL__ Kalista - Geiger Textile		•	•				•	•					13	•							•						•	•	•								•	•		
ZLR__ Lariat - Maharam [A] [N]	•						•																														•	•		
3SY__ Sync				•			•	•	•	•	•		13	•	•	•										•	•	•									•	•		
Price Category 5																																								
5YT__ Arlo - Maharam [A]		•	•				•	•		•	•	•	13	•	•	•					•					•	•	•									•	•		
3CY__ Cozy		•	•	•			•	•		•	•	•	13	•	•	•					•	•			•		•	•	•									•	•	
14A__ Hopsak		•	•	•	•		•	•		•	•	•	13	•	•	•					•				•		•	•	•										•	•
1GH__ Ingenue - Geiger Textile	•						•	•		•	•	•	13	•	•											•	•	•											•	•
40G__ Method - Maharam [A]	•	•					•	•		•	•	•	•													•	•	•											•	•
ZNC__ Nico - Maharam [A]		•	•				•	•		•	•	•	•								•						•	•	•										•	•
3SU__ Summit [N]							•	•		•	•	•	13	•	•											•	•	•											•	•
1G__ Vionette - Geiger Textile							•	•		•	•	•	13	•	•											•	•	•											•	•

continued on next page

Textiles Application Chart – Ancillary Seating, HermanMiller continued

• Available

[A] Assigned lead-time textile.

[A] Maharam textiles are on assigned lead times.

See below for exception notes.

[N] Non-woven textile.

	Betwixt Seating	Bevel Sofa Group	Bolster Sofa Group	Chadwick Modular Seating	ColourForm Sofa Group	Eames® Aluminum Group Outdoor	Eames Aluminum Group Chairs/Ottomans	Eames Executive Chairs	Eames Lounge Chairs/Ottomans	Eames Molded Fiberglass/Plastic/Wood Chairs Upholstered Seat Pad	Eames Molded Fiberglass/Plastic Chairs Upholstered	Eames Molded Plywood Chair Upholstered	Eames Sofa, 2 and 3 Seat	Eames Sofa Compact	Eames Soft Pad Chairs	Eames Task Chair	Eames Wire Seating Upholstered Seat Pad	Eames Wire Seating Upholstered Seat and Back	Girard Color Wheel Ottoman	Lispensard Sofa Group	Luva Sofa Group	Nelson™ Coconut Chair—Prone Leather	Nelson Cube Sofa Group	Nelson Daybed Cushion/Bolsters	Nelson Marshmallow Sofa	Nelson Pedestal Stool	Nelson Platform Bench Cushion	Portrait™ Chair	Striad Lounge Seating	Wilkes Modular Sofa Group	Wireframe™ Sofa Group			
Price Category 6																																		
72__ Outdoor Weave						•																												
Price Category 7																																		
COL Customer's Own Leather [A]	1	1	1				1	1	1	1		1	1	1	1	1	1	1		1				1	1	1	1	1	1	1	1	1	1	
1BB__ Bamboo [N]									•																									
ZB3__ Beck - Maharam [A]		•	•	•				•	•	•	•	•	•	•	•	•	•	•		•	•	•	•	•	•	•	•	•	•	•	•	•	•	
1AX__ Bellano - Geiger Textile	•	•	•					•	•	•	•	•	13	•	•	•	•	•																
172__ Capri - Geiger Textile	•	•	•	•			•	•	•	•	•	•	13	•	•	•	•	•																
8PV__ Mantle - Maharam [A]	•	•	•				•	•	•	•	•	•	•	•	•	•	•	•																
171__ Milaner - Geiger Textile	•	•	•				•	•	•	•	•	•	13	•	•	•	•	•																
1AV__ Panno di Dolce - Geiger Textile	•	•	•						•	•	•	•	13	•	•	•	•	•																
1JC__ Pristina - Geiger Textile									•	•	•	•	13	•	•	•	•	•																
1AW__ Resca - Geiger Textile		•	•					•	•	•	•	•	13	•	•	•	•	•																
5K3__ Rowan - Maharam [A]	•	•	•					•	•	•	•	•	•	•	•	•	•	•			•			•	•	•	•	•	•	•	•	•	•	
217__ Vesture - Geiger Textile		•	•																			•												
162__ Wool Epinglé - Geiger Textile																																		
166__ Wool Tweed - Geiger Textile		•	•		•			•	•	•	•	•	13								•						•	•	•	•	•	•	•	
Price Category 8																																		
1GS__ Allusion - Geiger Textile		•	•																			•											•	
ZLU__ Luce - Maharam [A]		•	•					•	•	•	•	•	•	•	•	•	•	•			•		•			•	•	•	•	•	•	•	•	
26S__ Tempo - Maharam [A]																							•											
9DA__ Whim		•																				•												
Price Category 9																																		
185__ Alpaca Mohair - Geiger Textile		•	•																								•							
ZC0__ Campana - Maharam [A]		•	•						•	•	•	•	•	•	•	•	•	•									•	•	•	•	•	•	•	
ZGE__ Gemma - Maharam [A]		•	•	•				•	•	•	•	•	•	•	•	•	•	•									•	•	•	•	•	•	•	•
ZJA__ Jasper - Maharam [A]		•	•						•	•	•	•	•	•	•	•	•	•									•	•	•	•	•	•	•	•
Z1__ Leather [N]	•	•	•				•	•	•	•	•	•	•	•	•	•	•	•									•	•	•	•	•	•	•	•
Price Category 10																																		
5-5__ Bristol Leather - Geiger Textile (5-6__) [N]	•	•			•	•	•	•	•	•	•	•	•	•	•	•	•	•								•	•	•	•	•	•	•	•	
3KH__ Firma - Maharam [A]		•	•	•	•			•	•	•	•	•	•	•	•	•	•	•																
ZGF__ Gemma Multi - Maharam [A]		•	•	•				•	•	•	•	•	•	•	•	•	•	•																
ZGF__ Gemma Multi Reverse - Maharam [A]		•	•	•				•	•	•	•	•	•	•	•	•	•	•																
ZP4__ Petra - Maharam [A]		•	•					•	•	•	•	•	•	•	•	•	•	•																
Z22__ Superweave - Maharam [A]		•	•																															
Price Category 11																																		
3BS__ Felix - Maharam [A]	•	•	•					•	•	•	•	•	•	•	•	•	•	•																
1NX__ Prone Leather - Maharam [A] [N]	•	•	•				•	•	•	•	•	•	•	•	•	•	•	•																
175__ Tenera Leather - Geiger Textile [N]	•	•	•					•	•	•	•	•	•	•	•	•	•	•																
Price Category 12-13																																		
No fabrics available at this time.																																		
Price Category 14																																		
Z13__ Lanalux - Maharam [A]	•	•	•																															

continued on next page

Textiles Application Chart — Ancillary Seating, HermanMiller continued

• Available

[A] Assigned lead-time textile.

[A] Maharam textiles are on assigned lead times.

See below for exception notes.

[N] Non-woven textile.

	Betwixt Seating	Bevel Sofa Group	Bolster Sofa Group	Chadwick Modular Seating	ColourForm Sofa Group	Eames® Aluminum Group Outdoor	Eames Aluminum Group Chairs/Ottomans	Eames Executive Chairs	Eames Lounge Chairs/Ottomans	Eames Molded Fiberglass/Plastic/Wood Chairs Upholstered Seat Pad	Eames Molded Fiberglass/Plastic Chairs Upholstered	Eames Molded Plywood Chair Upholstered	Eames Sofa, 2 and 3 Seat	Eames Sofa Compact	Eames Soft Pad Chairs	Eames Task Chair	Eames Wire Seating Upholstered Seat Pad	Eames Wire Seating Upholstered Seat and Back	Girard Color Wheel Ottoman	Lispemard Sofa Group	Luva Sofa Group	Nelson™ Coconut Chair—Prone Leather	Nelson Cube Sofa Group	Nelson Daybed Cushion/Bolsters	Nelson Marshmallow Sofa	Nelson Pedestal Stool	Nelson Platform Bench Cushion	Portrait™ Chair	Striad Lounge Seating	Wilkes Modular Sofa Group	Wireframe™ Sofa Group				
Price Category A																																			
No fabrics available at this time.																																			
Price Category B																																			
VM__	Medium - Maharam [A]																																		
TL__	Messenger - Maharam [A] *									2																									
Price Category C																																			
Z27__	Manner - Maharam [A]	•		•			2	2		•	2		2	•	•	•											•	•	•				•		
88Z__	Merit - Maharam [A]									•							•	•									•	•							
Z3__	Metric - Maharam [A]											•		•													•						•		
8EY__	Murmur - Maharam [A]																						•										•		
Price Category D																																			
818__	Bluff - Maharam [A]							•	•		•			•	•	•	•										•	•					•		
ZMD__	Mode - Maharam [A]	•			•							•		•	•	•	•	•			•	•					•	•					•		
Price Category E																																			
ZAT__	Article - Maharam [A] [N]		•	•				•	•			•	•	•	•													•					•		
ZMB__	Micro - Maharam [A]								•			•	•	•														•					•		
Price Category F																																			
82T__	Apt - Maharam [A] [N]							•	•	•	•							•															•		
871__	Brindle - Maharam [A]																																	•	
V9M__	Chime - Maharam [A] [N]													•	•													•						•	
87Z__	Conduit - Maharam [A]																																	•	
74M__	Instill - Maharam [A] [N]							•																										•	
89N__	Keen - Maharam [A]									•	•		•	•	•	•	•											•		•				•	
V9G__	Ledger - Maharam [A] [N]							•	•			•	•	•	•	•												•						•	
ZLL__	Loop - Maharam [A]										•	•		•			•	•										•						•	
82A__	Multiply - Maharam [A]																																	•	
81W__	Pepper - Maharam [A]									•	•		•	•	•		•	•									•	•						•	
ZPC__	Pitch - Maharam [A] [N]								•			•	•	•														•	•					•	
V9B__	Scuba - Maharam [A] [N]							•	•			•	•	•	•													•	•					•	
Z33__	Strum - Maharam [A] [N]											•	•	•														•	•					•	
Price Category G																																			
ZC2__	Compound - Maharam [A] [N]																																•	•	
ZFC__	Fluent Crypton - Maharam [A]																																	•	•
8AR__	Gild - Maharam [A]									•	•	•	•	•	•	•												•	•					•	
ZPR__	Pare - Maharam [A]																											•			•				•
ZRF__	Runner - Maharam [A]																																	•	•
ZSD__	Sudden - Maharam [A] [N]								•			•	•	•														•	•					•	•

continued on next page

Textiles Application Chart — Ancillary Seating, Geiger

• Available

[A] Assigned lead-time textile.

[A] Maharam textiles are on assigned lead times.

[N] Non-woven textile.

See below for exception notes.

	Brabo™ Lounge Seating	Bumper™ Seating	Crosshatch™ Lounge Seating	Crosshatch Side Chair	Envelope™ Chair	Full Twist™ Chair	Landmark™ Chair	Leeway™ Seating	Nessel™ Chair	Reframe™ Lounge Seating High-Back Chair	Reframe Lounge Seating Mid-Back Chair	Reframe Lounge Seating Wing-Back Chair	Rolled Arm™ Sofa Group	Saiba™ Seating	Scissor™ Chair	Sted™ Chair	Mantle Lounge Seating	Taper™ Chair	Tuxedo Component Lounge™/Tuxedo Classic Seating—Quilted	Tuxedo Component Lounge/Tuxedo Classic Seating—Non-quilted	U-Series Lounge Seating
Price Category 1																					
COM Customer's Own Material [A]	1	1	1	1	1	1	1	1	1	1	1	1	1	1	1	1	1	1	1	1	1
3DE__ Dex	•		•	•	•	•	•		•					•		•	•		•	•	•
95__ Gem			•	•				•		•	•										
1MN__ Monologue	•	•	•	•	•	•	•	•	•				•	•	•	•			•	•	•
4SC__ Scatter	•	•	•	•	•	•	•	•	•				•	•	•	•			•	•	•
235__ Tailored	•	•	•	•	•	•	•	•	•	•	•		•	•	•	•			•	•	•
1WS__ Whisper	•	•	•		•	•	•	•	•	•	•		•	•	•	•			•	•	•
Price Category 2																					
3AR__ Aristo	•	•	•	•	•	•	•	•	•				•	•	•	•			•	•	•
92__ Crepe	•	•	•	•	•	•	•	•	•	•	•		•	•	•	•			•	•	•
3EP__ Epic	•		•	•	•	•	•	•	•				•	•	•	•			•	•	•
3DP__ Hint																					
1MV__ Marvel [N]	•	•	•		•	•	•	•	•				•	•	•	•			•	•	•
1HA__ Medley	•	•	•		•	•	•	•	•				•	•	•	•	•			•	•
4ME__ Mellow	•	•	•	•	•	•	•	•	•										•	•	•
ZMA__ Metaphor - Maharam [A]	•	•	•	•	•	•	•	•	•				•	•	•	•			•	•	•
3A__ Moiré																					
81__ Muse - Maharam [A]	•	•		•	•		•	•					•	•	•	•			•	•	•
30__ Rhythm			•	•				•									•				
3SL__ Sequel [N]	•	•	•	•	•	•	•	•	•				•	•	•	•			•	•	•
4TE__ Terra	•	•	•	•	•	•	•	•	•				•	•	•	•			•	•	•
8R__ Twist			•	•				•	•					•					•	•	•
Price Category 3																					
3AC__ Ace [N]	•	•	•	•	•	•	•	•	•								•		•	•	•
43Z__ Fractal	•	•	•	•	•	•	•	•	•	•	•	•	•	•	•	•			•	•	•
ZM2__ Meld - Maharam [A] *	•	•	•	•	•	•	•	•	•				•	•	•	•			•	•	•
4GE__ Parcel	•	•	•	•	•	•	•	•	•	•	•	•	•	•	•	•			•	•	•
180__ Saille - Geiger Textile	•	•	•	•	•	•	•	•	•	•	•	•	•	•	•	•			•	•	•
Price Category 4																					
54__ Cygnus™																					
3DM__ Daydream	•	•	•	•	•	•	•	•	•	•	•	•	•	•	•	•			•	•	•
1AL__ Kalista - Geiger Textile	•	•	•	•	•	•	•	•	•	•	•	•	•	•	•	•			•	•	•
ZLR__ Lariat - Maharam [A] [N]	•	•	•	•	•	•	•	•	•	•	•	•	•	•	•	•			•	•	•
3SY__ Sync	•	•	•	•	•	•	•	•	•	•	•	•	•	•	•	•			•	•	•
Price Category 5																					
5YT__ Arlo - Maharam [A]																					
3CY__ Cozy	•	•	•	•	•	•	•	•	•	•	•	•	•	•	•	•			•	•	•
14A__ Hopsak			•	•	•	•	•	•	•	•	•	•	•	•	•	•			•	•	•
1GH__ Ingenue - Geiger Textile	•	•	•	•	•	•	•	•	•	•	•	•	•	•	•	•			•	•	•
40G__ Method - Maharam [A]	•	•	•	•	•	•	•	•	•	•	•	•	•	•	•	•			•	•	•
ZNC__ Nico - Maharam [A]	•	•	•	•	•	•	•	•	•	•	•	•	•	•	•	•			•	•	•
3SU__ Summit [N]	•	•	•	•	•	•	•	•	•	•	•	•	•	•	•	•			•	•	•
1GJ__ Vionette - Geiger Textile	•	•	•	•	•	•	•	•	•	•	•	•	•	•	•	•			•	•	•

continued on next page

Textiles Application Chart – Ancillary Seating, Geiger continued

• Available

[A] Assigned lead-time textile.

[A] Maharam textiles are on assigned lead times.

[N] Non-woven textile.

See below for exception notes.

Appendix: Textiles Application Chart – Ancillary Seating, Geiger

	Brabo™ Lounge Seating	Bumper™ Seating	Crosshatch™ Lounge Seating	Crosshatch Side Chair	Envelope™ Chair	Full Twist™ Chair	Landmark™ Chair	Leeway™ Seating	Nessel™ Chair	Reframe™ Lounge Seating High-Back Chair	Reframe Lounge Seating Mid-Back Chair	Reframe Lounge Seating Wing-Back Chair	Rolled Arm™ Sofa Group	Saiba™ Seating	Scissor™ Chair	Sled™ Chair	Mantle Lounge Seating	Taper™ Chair	Tuxedo Component Lounge™/Tuxedo Classic Seating—Quilted	Tuxedo Component Lounge™/Tuxedo Classic Seating—Non-quilted	U-Series Lounge Seating
Price Category 6																					
72__ Outdoor Weave																					
Price Category 7																					
COL Customer's Own Leather [A]	1																	1			
ZB3__ Beck - Maharam [A]	•	•	•	•	•	•	•	•	•	•	•	•	•	•	•	•	•	•	•	•	•
1AX__ Bellano - Geiger Textile	•	•	•	•	•	•	•	•	•	•	•	•	•	•	•	•	•	•	•	•	•
172__ Capri - Geiger Textile	•	•	•	•	•	•	•	•	•	•	•	•	•	•	•	•	•	•	•	•	•
8VP__ Mantle - Maharam [A]	•	•	•	•	•	•	•	•	•	•	•	•	•	•	•	•	•	•	•	•	•
171__ Milaner - Geiger Textile	•	•	•	•	•	•	•	•	•	•	•	•	•	•	•	•	•	•	•	•	•
1AV__ Panno di Dolce - Geiger Textile	•	•	•	•	•	•	•	•	•	•	•	•	•	•	•	•	•	•	•	•	•
1JC__ Pristina - Geiger Textile	•	•	•	•	•	•	•	•	•	•	•	•	•	•	•	•	•	•	•	•	•
1AW__ Resca - Geiger Textile	•	•	•	•	•	•	•	•	•	•	•	•	•	•	•	•	•	•	•	•	•
5K3__ Rowan - Maharam [A]	•	•	•	•	•	•	•	•	•	•	•	•	•	•	•	•	•	•	•	•	•
217__ Vesture - Geiger Textile	•	•	•	•	•	•	•	•	•	•	•	•	•	•	•	•	•	•	•	•	•
162__ Wool Epinglé - Geiger Textile	•	•	•	•	•	•	•	•	•	•	•	•	•	•	•	•	•	•	•	•	•
166__ Wool Tweed - Geiger Textile	•	•	•	•	•	•	•	•	•	•	•	•	•	•	•	•	•	•	•	•	•
Price Category 8																					
ZLU__ Luce - Maharam [A]	•	•	•	•	•	•	•	•	•	•	•	•	•	•	•	•	•	•	•	•	•
26S__ Tempo - Maharam [A]	•	•	•	•	•	•	•	•	•	•	•	•	•	•	•	•	•	•	•	•	•
Price Category 9																					
185__ Alpaca Mohair - Geiger Textile				•	•	•	•										•	•			
ZC0__ Campana - Maharam [A]	•	•	•	•	•	•	•	•	•	•	•	•	•	•	•	•	•	•	•	•	•
ZGE__ Gemma - Maharam [A]	•	•	•	•	•	•	•	•	•	•	•	•	•	•	•	•	•	•	•	•	•
ZJA__ Jasper - Maharam [A]	•	•	•		•	•	•								•						•
21__ Leather [N]	•	•	•	•	•	•	•	•	•	•	•	•	•	•	•	•	•	•	•	•	•
Price Category 10																					
5-5__ Bristol Leather - Geiger Textile (5-6__) [N]	•	•	•	•	•	•	•	•	•	•	•	•	•	3	•	•	•	•	•	•	•
3KH__ Firma - Maharam [A]	•	•	•	•	•	•	•	•	•	•	•	•	•	•	•	•	•	•	•	•	•
ZGF__ Gemma Multi - Maharam [A]	•	•	•	•	•	•	•	•	•	•	•	•	•	•	•	•	•	•	•	•	•
ZGF__ Gemma Multi Reverse - Maharam [A]	•	•	•	•	•	•	•	•	•	•	•	•	•	•	•	•	•	•	•	•	•
ZP4__ Petra - Maharam [A]	•	•	•	•	•	•	•	•	•	•	•	•	•	•	•	•	•	•	•	•	•
Z22__ Superweave - Maharam [A]	•	•	•		•	•							•		•					•	•
Price Category 11																					
3BS__ Felix - Maharam [A]		•	•					•	•		•			•			•			•	•
1NX__ Prone Leather - Maharam [A] [N]	•	•	•	•	•	•	•	•	•	•	•	•	•	•	•	•	•	•	•	•	•
175__ Tenera Leather - Geiger Textile [N]	•	•	•	•	•	•	•	•	•	•	•	•	•	•	•	•	•	•	•	•	•
Price Category 12-13																					
No fabrics available at this time.																					
Price Category 14																					
Z13__ Lanalux	•	•	•	•			•	•	•		•			•						•	•
Price Category A																					
No fabrics available at this time.																					
Price Category B																					
VM__ Medium																					
TI__ Messenger *								•													

continued on next page

Textiles Application Chart — Ancillary Seating, Geiger continued

• Available

[A] Assigned lead-time textile.

[A] Maharam textiles are on assigned lead times.

[N] Non-woven textile.

See below for exception notes.

	Brabo™ Lounge Seating	Bumper™ Seating	Crosshatch™ Lounge Seating	Crosshatch Side Chair	Envelope™ Chair	Full Twist™ Chair	Landmark™ Chair	Leeway™ Seating	Nessel™ Chair	Reframe™ Lounge Seating High-Back Chair	Reframe Lounge Seating Mid-Back Chair	Reframe Lounge Seating Wing-Back Chair	Rolled-Arm™ Sofa Group	Saiba™ Seating	Scissor™ Chair	Sled™ Chair	Mantle Lounge Seating	Taper™ Chair	Tuxedo Component Lounge™/Tuxedo Classic Seating—Quilted	Tuxedo Component Lounge/Tuxedo Classic Seating—Non-quilted	U-Series Lounge Seating
Price Category C																					
Z27__ Manner	•	•	•		•	•	•	•	•	•	•		•	•	•	•	•		•	•	•
88Z__ Merit		•	•	•																•	•
Z3__ Metric	•	•	•		•	•	•	•	•				•	•	•	•	•			•	•
8EY__ Murmur	•	•	•		•	•	•	•	•				•	•	•	•	•			•	•
Price Category D																					
818__ Bluff	•	•	•	•	•	•	•	•	•				•	•	•	•	•		•	•	•
ZMD__ Mode	•	•	•		•	•	•	•	•				•	•	•	•	•			•	•
Price Category E																					
ZAT__ Article [N]	•	•	•		•	•	•		•				•	•	•	•	•			•	•
ZMB__ Micro	•	•	•		•	•	•				•		•	•	•	•	•			•	•
Price Category F																					
82T__ Apt - Maharam [A] [N]	•	•	•		•	•	•	•	•				•	•	•	•	•		•	•	•
871__ Brindle - Maharam [A]			•		•	•	•	•	•											•	•
V9M__ Chime - Maharam [A] [N]	•	•	•		•	•	•	•	•				•	•	•	•	•			•	•
87Z__ Conduit - Maharam [A]	•	•	•		•	•	•	•	•				•	•	•	•	•			•	•
74M__ Instill - Maharam [A] [N]	•	•	•		•	•	•	•	•				•	•	•	•	•			•	•
89N__ Keen - Maharam [A]	•	•	•	•	•	•	•	•	•	•	•		•	•	•	•	•			•	•
V9G__ Ledger - Maharam [A] [N]	•	•	•		•	•	•	•	•		•		•	•	•	•	•			•	•
ZLL__ Loop - Maharam [A]	•	•	•		•	•	•	•	•				•	•	•	•	•			•	•
82A__ Multiply - Maharam [A]	•	•	•		•	•	•	•	•				•	•	•	•	•			•	•
8LW__ Pepper - Maharam [A]	•	•	•	•	•	•	•	•	•				•	•	•	•	•			•	•
ZPC__ Pitch - Maharam [A] [N]	•	•	•		•	•	•	•	•				•	•	•	•	•			•	•
Z29__ Plait - Maharam [A]	•	•	•		•	•	•	•	•				•	•	•	•	•			•	•
V9B__ Scuba - Maharam [A] [N]	•	•	•		•	•	•	•	•				•	•	•	•	•			•	•
Z33__ Strum - Maharam [A] [N]	•	•	•		•	•	•	•	•				•	•	•	•	•			•	•
Price Category G																					
ZBU__ Bushel by Lisa Scull - Maharam [A]	•	•	•	•	•	•	•	•	•	•	•		•	•	•	•	•			•	•
ZC2__ Compound - Maharam [A] [N]	•	•	•		•	•	•	•	•	•	•		•	•	•	•	•			•	•
ZFC__ Fluent Crypton - Maharam [A]	•	•	•		•	•	•	•	•				•	•	•	•	•			•	•
8AR__ Gild - Maharam [A]	•	•	•	•	•	•	•	•	•				•	•	•	•	•			•	•
ZPR__ Pare - Maharam [A]	•	•	•		•	•	•	•	•				•	•	•	•	•			•	•
ZRF__ Runner - Maharam [A]	•	•	•		•	•	•	•	•				•	•	•	•	•			•	•
ZSD__ Sudden - Maharam [A] [N]	•	•	•		•	•	•	•	•				•	•	•	•	•			•	•
Price Category H																					
ZAN__ Anagram - Maharam [A]	•	•	•		•	•	•	•	•				•	•	•	•	•			•	•
ZT__ Circles - Maharam [A]																					
ZK__ Dot Pattern - Maharam [A]																			5	5	
ZMC__ Mechanism - Maharam [A]	•	•	•		•	•	•	•	•				•	•	•	•	•			•	•
ZMG__ Mister - Maharam [A]	•	•	•		•	•	•	•	•				•	•	•	•	•			•	•
ZQT__ Octave - Maharam [A]	•	•	•		•	•	•	•	•				•	•	•	•	•			•	•
ZRT__ Regatta - Maharam [A]	•	•	•		•	•	•	•	•				•	•	•	•	•			•	•
ZRU__ Rule - Maharam [A]	•	•	•		•	•	•	•	•				•	•	•	•	•			•	•
ZL__ Small Dot Pattern - Maharam [A]																			5	5	

continued on next page

Textiles Application Chart — Ancillary Seating, Geiger continued

• Available

[A] Assigned lead-time textile.

[A] Maharam textiles are on assigned lead times.

[N] Non-woven textile.

See below for exception notes.

Appendix: Textiles Application Chart — Ancillary Seating, Geiger

	Brabo™ Lounge Seating	Bumper™ Seating	Crosshatch™ Lounge Seating	Crosshatch Side Chair	Envelope™ Chair	Full Twist™ Chair	Landmark™ Chair	Leeway™ Seating	Nessel™ Chair	Reframe™ Lounge Seating High-Back Chair	Reframe Lounge Seating Mid-Back Chair	Reframe Lounge Seating Wing-Back Chair	Rolled Arm™ Sofa Group	Saiba™ Seating	Scissor™ Chair	Sled™ Chair	Mantle Lounge Seating	Taper™ Chair	Tuxedo Component Lounge™/Tuxedo Classic Seating—Quilted	Tuxedo Component Lounge™/Tuxedo Classic Seating—Non-quilted	U-Series Lounge Seating
Price Category I																					
ZCW__ Colorwheel - Maharam [A]	•	•	•		•	•	•		•				•		•	•			•	•	•
7CW__ Cursive - Maharam [A]	•		•		•	•	•								•					•	
ZSY__ Study - Maharam [A]	•	•				•	•								•					•	
Price Category J																					
ZFK__ Fluted Silk - Maharam [A]																					
V19__ Mikado - Maharam [A]																					
ZWR__ Wool Rib - Maharam [A]	•	•	•		•	•	•						•		•	•				•	
Price Category K																					
V12__ Checker - Maharam [A]	•	•	•		•	•	•		•						•	•			•	•	•
V13__ Checker Split - Maharam [A]	•	•	•		•	•	•		•						•	•			•	•	•
V14__ Double Triangles - Maharam [A]	•	•	•		•	•	•		•				•		•	•			•	•	
V15__ Facets - Maharam [A]	•	•	•		•	•	•		•				•		•	•			•	•	•
ZQP__ Optik - Maharam [A]	•	•	•		•	•	•		•				•		•	•			•	•	
ZUN__ Unisol - Maharam [A]	•	•	•		•	•	•		•						•	•			•	•	
Price Category L																					
ZEP__ Exaggerated Plaid - Maharam [A]	•	•	•		•	•	•								•	•					
ZGM__ Geometri - Maharam [A]	•	•	•		•	•	•		•				•		•	•			•	•	
V16__ Jacobs Coat - Maharam [A]	•	•	•		•	•	•		•						•	•					
V17__ Millerstripe - Maharam [A]	•	•	•		•	•	•								•	•					•
ZMW__ Monk's Wool - Maharam [A]																					
ZPW__ Pebble Wool - Maharam [A]																					
ZPM__ Pebble Wool Multi - Maharam [A]																					
V21__ Quatrefoil - Maharam [A]			•	•	•	•	•	•	•						•	•			5	5	
ZRS__ Repeat Classic Stripe - Maharam [A]	•		•		•	•									•	•				•	
ZRR__ Repeat Dot Ring - Maharam [A]	•	•	•		•	•	•		•				•		•	•			•	•	•
ZSP__ Stripes - Maharam [A]	•	•	•		•	•	•		•						•	•			•	•	
V22__ Toostripe - Maharam [A]	•	•	•		•	•	•		•						•	•			•	•	
Price Category M																					
V18__ Names - Maharam [A]			•	•	•	•	•	•	•						•	•			•	•	•
ZQN__ Ottoman Stripe - Maharam [A]	•	•	•		•	•	•		•						•	•			•	•	
T11__ Pressed Plaid - Maharam [A]					•	•	•								•	•			•	•	
T12__ Wool Striae - Maharam [A]					•	•	•								•						
Price Category N																					
ZAE__ Alpaca Epinglé - Maharam [A]	•	•	•		•	•	•						•		•	•			•	•	
ZAV__ Alpaca Velvet - Maharam [A]	•	•	•		•	•	•						•		•	•			•	•	
ZBP__ Bespoke Stripe - Maharam [A]	•	•	•		•	•	•		•						•	•			•	•	
ZKP__ Herringbone Stripe - Maharam [A]	•	•	•		•	•	•		•						•	•			•	•	
ZPT__ Point - Maharam [A]	•	•	•		•	•	•								•	•					
ZWV__ Wool Velvet - Maharam [A]	•	•	•		•	•	•						•		•	•			•	•	
Price Category O																					
ZBS__ Bavaria Stripe - Maharam [A]	•	•	•		•	•	•		•						•	•					

continued on next page

Textiles Application Chart — Ancillary Seating, Geiger continued

• Available

[A] Assigned lead-time textile.

[A] Maharam textiles are on assigned lead times.

[N] Non-woven textile.

See below for exception notes.

	Brabo™ Lounge Seating	Bumper™ Seating	Crosshatch™ Lounge Seating	Crosshatch Side Chair	Envelope™ Chair	Full Twist™ Chair	Landmark™ Chair	Leeway™ Seating	Nessel™ Chair	Reframe™ Lounge Seating High-Back Chair	Reframe Lounge Seating Mid-Back Chair	Reframe Lounge Seating Wing-Back Chair	Rolled-Arm™ Sofa Group	Saiba™ Seating	Scissor™ Chair	Sled™ Chair	Mantle Lounge Seating	Taper™ Chair	Tuxedo Component Lounge™/Tuxedo Classic Seating—Quilted	Tuxedo Component Lounge/Tuxedo Classic Seating—Non-quilted	U-Series Lounge Seating
Price Category P																					
ZBR__ Big Stripe - Maharam [A]	•	•	•		•	•	•		•						•	•			•	•	
ZES__ Epinglé Stripe - Maharam [A]	•	•	•		•	•	•								•	•					
ZLY__ Layers Garden - Maharam [A]	•	•	•		•	•	•		•				•		•	•				•	•
ZLP__ Layers Park - Maharam [A]	•	•	•		•	•	•		•				•		•	•				•	•
ZLV__ Layers Vineyard Large - Maharam [A]	•	•	•		•	•	•		•						•	•				•	•
ZLS__ Layers Vineyard Small - Maharam [A]	•	•	•		•	•	•		•				•		•	•				•	•
ZMS__ Mohair Supreme - Maharam [A]	•		•			•	•								•					•	•
Price Category Q																					
ZAB__ A Band Apart - Maharam [A]	•	•	•		•	•	•								•	•				•	•
ZBA__ Brushed Camel - Maharam [A]	•	•	•		•	•	•		•				•		•	•				•	•
ZDS__ Deconstructed Rose - Maharam [A]			•		•	•	•								•	•				•	•
ZMV__ Massive Paisley - Maharam [A]	•	•	•		•	•	•		•						•	•				•	•
ZTF__ The Firm - Maharam [A]	•	•	•		•	•	•		•						•	•				•	•
Price Category R																					
ZBB__ Borders - Maharam [A]	•	•	•		•	•	•						•		•	•				•	•
ZSV__ Stow Leather - Maharam [A] [N]	•	•	•	•	•	•	•	•	•	•	•	•	•	•	•	•			•	•	•
Price Category S																					
ZBV__ Bavaria - Maharam [A]	•	•	•		•	•	•		•						•	•					•
Price Category T																					
ZKR__ Hours - Maharam [A]	•	•	•		•	•	•								•	•					
Price Category U																					
ZLD__ Layers Garden Double - Maharam [A]	•	•	•		•	•	•						•		•	•					
ZLB__ Layers Park Double - Maharam [A]	•	•	•		•	•	•						•		•	•					
Price Category V-W																					
No fabrics available at this time.																					
Price Category X																					
ZED__ Eden - Maharam [A]	•	•			•	•									•					•	•
ZFG__ Foliage - Maharam [A]	•	•			•	•							•		•	•				•	•
Price Category Y																					
ZND__ Industry - Maharam [A]	•	•	[A]		•	•									•					•	•
Price Category Z																					
ZAG__ Agency - Maharam [A]	•	•	•		•	•	•								•	•				•	•
Leather Price Category 10M																					
ZPA__ Pace Leather - Maharam [A] [N]																			•		

* Available in select colors on 20-day lead-time. Refer to "Textile Colors".

- 1 Refer to Price Book appendices and Omni for COM/COL information.
- 3 Not available in Bristol Leather 5-597 Pure on Saiba Chair.
- 5 Available on Tuxedo Classic Seating products only.



Textile Colors

Price Category 1

Customer's Own Material
See Order Information in Appendices. Assigned lead-time textile. [A](#)

8Z Pellicle®
Seating
For New Aeron® Chairs
56% elastomeric
44% polyester
23101 Mineral
23102 Carbon
23103 Graphite

AireWeave™ 2
Seating
For Mirra® 2 Chairs
67% elastomeric
33% antimony-free polyester
1A701 Alpine
1A702 Slate Grey
1A703 Graphite
1A704 Lime Green
1A705 Cappuccino
1A706 Urban Orange
1A707 Dark Turquoise
1A708 Twilight

Chain
Workspaces
66" wide
100% recycled polyester with 12% ocean bound plastic
2V01 Pearl
2V02 Oyster
2V03 Wheat
2V04 Linen
2V05 Wicker
2V06 Bamboo
2V07 Sage
2V08 Spring Wood
2V09 Iceberg

Crossing
Seating/Workspaces
54" wide
86% antimony-free polyester
14% polyester
8T03 Wicker *
8T04 Porcelain *
8T05 Warm Grey *
8T10 Tomato
8T17 Cerulean
8T18 Indigo
8T19 Shale *
8T22 Tin *
8T23 Graphite
8T24 Black

Crossing
Workspaces
For workspaces products only.
54" wide
86% antimony-free polyester
14% polyester
8501 Ivory *
8502 Oyster *

* Colors available on Exclave®
Video-friendly Tackable Boards and Stowage Tackable Backdrop

Dex
Ancillary/Seating/Workspaces
54" wide
67% recycled polyester
33% polyester
3DE01 Frost
3DE02 Silver Pine
3DE03 Stone
3DE04 Shale
3DE05 Charcoal
3DE06 Gossamer
3DE07 Pine

Duo
Seating
For Lino™ Chairs
52% polyester
48% elastomeric
4RM01 Mineral
4RM02 Poppy
4RM03 Green Leaf
4RM04 Jade
4RM05 Shadow
4RM06 Graphite

Flexnet™
Seating
For Caper® Chairs
69% elastomeric
31% polyester
6V01 Black
6V02 Silver Grey

Grasscloth
Workspaces
66" wide
100% recycled polyester with 11% ocean bound plastic
2I01 Silver Birch
2I02 Pampas
2I03 Sedge
2I07 Lea
2I08 Taro
2I09 Steam Grey
2I13 Gravel

Intercept
Seating
For Cosm™ Chairs
60% elastomeric
40% polyester
84501 Graphite
84502 Carbon
84503 Mineral
84504 Nightfall
84505 Glacier
84506 Canyon

Interweave 2
Seating
For Verus™ Chairs
65% elastomeric
35% polyester
36501 Iceberg
36502 Poppy
36503 Beachglass
36504 Blue Grotto
36505 Slate
36506 Shale

Lyris 2™
Seating
For Setu® Chairs
74% elastomeric
26% polyester
4W21 Alpine
4W23 Chartreuse
4W25 Berry Blue
4W26 Slate Grey
4W28 Chino
4W31 Graphite

Monologue
Ancillary/Seating/Workspaces
54" wide
56% recycled polyester
44% polyester
1MN01 Linen
1MN02 Alabaster
1MN04 Folkstone
1MN05 Silver Pine
1MN06 Slate
1MN07 Seed
1MN09 Persimmon
1MN11 Meadow
1MN12 Blue Sky
1MN13 Blue Spruce
1MN14 Deep Sea

Price category 1 continued on next page

- Maharam textiles are on assigned lead times [A](#).
- Fabric numbers are listed as Herman Miller fabric number/Maharam fabric number.

Textile Colors

continued

Price Category 1

continued

Appendix: Textile Colors

Resonance	
Workspaces	
66" wide	
100% polyester	
5T04	Greige
5T05	Porcelain
5T06	Alabaster
5T15	Iris
5T28	Sugar
5T47	Tobacco
5T54	Saltbush
5T57	Seed
5T58	Sepia
5T60	Iceberg
5T65	Red
5T67	Boysenberry
5T68	Pistachio
5T69	Green Apple
5T71	Jade
5T72	Blue Green
5T74	Twilight

Ripple 3D Knit	
Seating	
Available only on Zeph® Chairs.	
knit to size	
99% recycled polyester	
1% lycra	
5H201	Black
5H202	Carbon
5H203	Alpine
5H204	Silt
5H205	Tea Rose
5H206	Cocoa
5H207	Persimmon
5H208	Blaze
5H209	Cayenne
5H210	Falcon
5H211	Mustard Seed
5H212	Patina
5H213	Olive
5H214	Moss
5H215	Aloe
5H216	Glacier
5H217	Ultramarine
5H218	Nightfall
5H219	Bluebell
5H220	Boysenberry
5H221	Nightfall/Bluebell
5H222	Patina/Alpine
5H223	Cayenne/Glacier
5H224	Tea Rose/Olive
5H225	Silt/Blaze

Scatter	
Ancillary/Seating/Workspaces	
54" wide	
100% recycled polyester, with 26% ocean bound plastic	
4SC01	Alpine
4SC02	Fog
4SC03	Shale
4SC04	Persimmon
4SC07	Olive
4SC08	Glacier
4SC09	Blue Sky
4SC10	Lagoon
4SC11	Slate Grey
4SC12	Blue Black

Scribe	
Seating/Workspaces	
54" wide	
100% recycled polyester with 53% ocean bound plastic	
3DN01	Spring Wood
3DN02	Poplar
3DN03	Pewter
3DN04	Deep Sea
3DN05	Fir
3DN06	Nutmeg

Slant	
Workspaces	
66" wide	
51% polyester 49% recycled polyester	
22F04	Pesto
22F06	Neptune
22F07	Blueberry
22F10	Pumpkin
22F12	Silver Birch
22F13	Bluestone
22F15	Shale

Splash 3D Knit	
Seating	
Available only on Zeph® Chairs.	
knit to size	
98% recycled polyester	
2% lycra	
5H101	Black
5H102	Carbon
5H103	Alpine
5H104	Silt
5H105	Tea Rose
5H106	Cocoa
5H107	Persimmon
5H108	Blaze
5H109	Cayenne
5H110	Falcon
5H111	Mustard Seed
5H112	Patina
5H113	Olive
5H114	Moss
5H115	Aloe
5H116	Glacier
5H117	Ultramarine
5H118	Nightfall
5H119	Bluebell
5H120	Boysenberry

Stretch Knit	
Seating	
Assigned lead-time textile. ^A	
Available only on Say®	
Suspension Back Work Chairs	
97% polyester, 3% spandex	
3DK01	Fog
3DK02	Slate Grey
3DK03	Java
3DK04	Black
3DK05	Red
3DK06	Green Apple
3DK07	Berry Blue

Price category 1 continued on next page

- Maharam textiles are on assigned lead times ^A.
- Fabric numbers are listed as Herman Miller fabric number/Maharam fabric number.

Textile Colors

continued

Price Category 1

continued

Tailored

Ancillary/Seating/Workspaces
54" wide

56% polyester
44% recycled polyester

23501	Studio White * **
23502	Sugar *
23503	Tomato
23506	Chive
23508	Cobalt
23509	Cadet
23510	Fog
23511	Graphite
23512	Black
23513	Coffee

* Colors not available on
Plex™ Lounge Furniture.

** Color not available on Canvas
Tiles.

Tuck 3D Knit

Seating
Available only on Fuld Nesting
Chairs.

knit to size
56% polyester
44% recycled polyester

9NK01	Alpine
9NK02	Carbon
9NK03	Nightfall
9NK04	Olive
9NK05	Cocoa
9NK06	Canyon

Whisper

Ancillary/Seating/Workspaces
54" wide

73% recycled polyester
27% polyester
with 11.3% ocean bound plastic

1WS01	Sand Dollar
1WS02	Pebble
1WS03	Silver Birch
1WS04	Iceberg
1WS05	Silver Pine
1WS06	Carbon
1WS07	Cumin
1WS12	Willow
1WS13	Sea Grass
1WS14	Pool
1WS15	Blueberry
1WS16	Glacier
1WS17	Grey
1WS18	Canyon

Price Category 2

Aristo

Ancillary/Seating/Workspaces
54" wide

88% recycled polyester
12% polyester
Acrylic backing

3AR01	Forest Moss
3AR02	Light Brindle
3AR03	Mink
3AR04	Copper
3AR05	Adobe
3AR06	Cherry
3AR07	Lilac
3AR08	Green Apple
3AR09	Surf
3AR10	Waterfall
3AR11	Cadet
3AR12	Tin
3AR13	Pewter
3AR14	Grey Brindle
3AR15	Grey Black

Cord

Workspaces
66" wide
51% antimony-free polyester
49% polyester

5101	Ivory
5102	White Ash
5103	Linen
5104	Bamboo
5105	Sepia
5107	Sesame
5109	Bayou
5111	Spring Wood
5112	Summer White

Crepe

Ancillary/Seating/Workspaces
54" wide

100% recycled polyester,
with 43.6% ocean bound plastic

9201	Licorice
9203	Smoke
9207	Cherry
9223	Cadet
9241	Beachglass
9249	Stone *
9251	Fog *
9252	Slate Grey
9261	Shale
9262	Graphite
9265	Mineral
9266	Persimmon
9267	Juniper
9268	Glacier
9269	Cascade
9270	Navy

* Colors available on Exclave®
Video-friendly Tackable Boards and
Stowage Tackable Backdrop.

Price category 2 continued on
next page

- Maharam textiles are on assigned lead times ^A.
- Fabric numbers are listed as Herman Miller fabric number/Maharam fabric number.

Textile Colors

continued

Price Category 2

continued

Appendix: Textile Colors

Epic	
Ancillary/Seating/Workspaces	
54" wide	
56% recycled polyester	
44% polyester	
Acrylic backing	
3EP01	Alabaster
3EP02	Smoke
3EP03	Falcon
3EP05	Copper
3EP06	Urban Orange
3EP07	Poppy
3EP10	Clover
3EP11	Loden
3EP14	Peacock
3EP15	Cadet
3EP16	Indigo
3EP17	Spring Wood
3EP18	Grey Brindle
3EP19	Seed
3EP20	Carbon Dark

Hint	
Ancillary/Seating/Workspaces	
54" wide	
76% recycled polyester	
24% polyester	
3DP01	Sediment
3DP02	Gunmetal
3DP03	Silt
3DP04	Porcelain
3DP05	Indigo
3DP06	Fern
3DP07	Adobe
3DP08	Red Sea

Horizon	
Workspaces	
54" wide	
65% antimony-free polyester	
35% polyester	
4N01	Rye Grass
4N02	Sugar Pine
4N03	Silver Pine
4N04	White Ash
4N05	Spring Wood
4N08	Haystack
4N09	Oat Grass
4N13	Pine Cone
4N15	Elderberry

Marvel	
Ancillary/Seating	
54" wide	
100% pvc-free polyurethane	
antimicrobial, antibacterial finish	
1MV01	Summer White
1MV02	Sand Dollar
1MV03	Espresso
1MV04	Folkstone Grey
1MV05	Graphite
1MV06	Onyx
1MV07	Polar Blue
1MV08	Blush Grey
1MV12	Red
1MV14	Pine
1MV15	Teal Green
1MV16	Twilight

Medley	
Ancillary/Seating/Workspaces	
54" wide	
100% polyester	
1HA01	Stone *
1HA02	Trail
1HA03	Charcoal
1HA04	Cinder
1HA07	Chutney
1HA09	Feather Grey *
1HA11	Loden
1HA13	Bayou *
1HA14	Blue Grotto
1HA15	Blueberry
1HA22	Khaki
1HA23	Pewter
1HA24	Yellow Oxide
1HA25	Vintage Rose
1HA26	Raspberry
1HA27	Acai Berry

* Colors available on Exclave®
Video-friendly Tackable Boards
and Stowage Tackable Backdrop

Mellow	
Ancillary/Seating/Workspaces	
54" wide	
100% recycled polyester, with 16% ocean bound plastic	
4ME01	Mineral
4ME04	Olive
4ME05	Glacier
4ME06	Oceanside
4ME07	Charcoal

Metaphor – Maharam	
Ancillary/Seating/Workspaces	
54" wide	
100% polyester	
Acrylic backing	
ZMA01/466553-001	Afterfeather *
ZMA02/466553-002	Moonflower
ZMA03/466553-003	Handcraft
ZMA04/466553-004	Crossroad
ZMA05/466553-005	Chondrite
ZMA06/466553-006	Detective
ZMA07/466553-007	Steamship
ZMA08/466553-008	Electricity
ZMA09/466553-009	Takeoff
ZMA10/466553-010	Parachute
ZMA11/466553-011	Blueshift
ZMA12/466553-012	Dockyard
ZMA13/466553-013	Bathe
ZMA14/466553-014	Icebound
ZMA15/466553-015	Thermosphere
ZMA16/466553-016	Aboard
ZMA17/466553-017	Agaware
ZMA18/466553-018	Homeland
ZMA19/466553-019	Rockfall
ZMA20/466553-020	Undergrowth
ZMA21/466553-021	Gremolata
ZMA22/466553-022	Patina
ZMA23/466553-023	Sylvan
ZMA24/466553-024	Outfield
ZMA25/466553-025	Windbreak
ZMA26/466553-026	Saguaro

Price category 2 continued on
next page

- Maharam textiles are on assigned lead times [A](#).
- Fabric numbers are listed as Herman Miller fabric number/Maharam fabric number.

Textile Colors

continued

Price Category 2

continued

Metaphor continued

ZMA27/466553-027	Barnwood
ZMA28/466553-028	Cookshop
ZMA29/466553-029	Amandine
ZMA30/466553-030	Bodhran
ZMA31/466553-031	Centerstage
ZMA32/466553-032	Focaccia
ZMA33/466553-033	Bumblebee
ZMA34/466553-034	Microbrew
ZMA35/466553-035	Sauna
ZMA36/466553-036	Gazebo
ZMA37/466553-037	Pirouette
ZMA38/466553-038	Heartbeat
ZMA39/466553-039	Shino
ZMA40/466553-040	Sunrise
ZMA41/466553-041	Florist
ZMA42/466553-042	Beadwork
ZMA43/466553-043	Framboise
ZMA44/466553-044	Wisteria
ZMA45/466553-045	Warrior

* Colors not available on Eames Aluminum Group, Soft Pad, Sofa Compact, Molded Fiberglass/Plastic Chairs, Task Chair, Wire Chairs, Nelson Platform Bench Cushion, Swoop Plywood Lounge Chair.

Muse – Maharam

Ancillary/Seating/Workspaces	
54" wide	
100% post-consumer recycled polyester	
8I101/466487-001	Crescendo
8I102/466487-002	Resonate
8I103/466487-003	Runway
8I104/466487-004	Ascend
8I105/466487-005	Veil *
8I106/466487-006	Refresh *
8I107/466487-007	Clear *
8I108/466487-008	Fantasy
8I109/466487-009	Miso
8I110/466487-010	Compass
8I111/466487-011	Bergamot *
8I112/466487-012	Grasshopper

Muse continued

8I113/466487-013	Goal
8I114/466487-014	Mistletoe
8I115/466487-015	Seaglass *
8I116/466487-016	Frigid
8I117/466487-017	Riverbend
8I118/466487-018	Noble
8I119/466487-019	Pulsar
8I120/466487-020	Velella
8I121/466487-021	Sailboat
8I122/466487-022	Sparse
8I123/466487-023	Vase
8I124/466487-024	Haven
8I125/466487-025	Mead
8I126/466487-026	Neat
8I127/466487-027	Jovial
8I128/466487-028	Theater
8I129/466487-029	Poinsettia
8I130/466487-030	Celebrate
8I131/466487-031	Spectacle

* Colors not available on Valor Seating.

Rhythm

Ancillary/Seating	
54" wide	
100% polyester	
3002	Green Apple
3004	Bayou
3005	Berry Blue
3006	Iris
3007	Twilight
3009	Poppy
3010	Molasses
3012	Khaki
3013	Mink
3014	Black *
3015	Charcoal *

* Colors available on Embody® Chair.

Sequel

Ancillary/Seating/Workspaces	
54" wide	
100% vinyl	
100% polyester knit backing	
Resilience® finish	
3SL01	White
3SL02	Pebble
3SL03	Mushroom
3SL04	Stone
3SL06	Rattan
3SL09	Seal
3SL10	Blue Fog
3SL11	Folkstone
3SL12	Shale
3SL13	Slate Grey
3SL14	Charcoal
3SL15	Carbon Dark
3SL28	Navy *

* Color available on Eames® Tandem Sling Seating.

Terra

Ancillary/Seating/Workspaces	
54" wide	
100% post-consumer recycled biodegradable polyester *	
4TE01	Spring Wood
4TE02	Zinc
4TE03	Pine Cone
4TE04	Charcoal

* 1% biodegradation in 1,278 days under ASTM D5511 conditions. No evidence of further degradation.

Twine

Workspaces	
66" wide	
100% recycled polyester	
3TW01	Silver Birch
3TW02	Ivory
3TW03	Alabaster
3TW04	Bamboo
3TW05	Iceberg
3TW06	Charcoal
3TW07	Feather Grey
3TW08	Shale

Twist

Ancillary/Seating/Workspaces	
54" wide	
80% antimony-free polyester	
13% recycled polyester	
7% polyester	
8R05	Wicker
8R10	Poppy
8R14	Tin
8R15	Shale
8R16	Graphite
8R17	Birch
8R18	Sepia
8R22	Blueberry
8R23	Green Apple
8R26	Gunmetal
8R27	Cinder
8R29	Pekoe
8R33	Forest
8R35	Waterfall
8R36	Midnight Blue
8R37	Carbon Dark

Twist

Workspaces	
For workspaces products only.	
54" wide	
80% antimony-free polyester	
13% recycled polyester	
7% polyester	
5S03	Oyster

- Maharam textiles are on assigned lead times [A](#).
- Fabric numbers are listed as Herman Miller fabric number/Maharam fabric number.

Textile Colors

continued

Price Category 3

Appendix: Textile Colors

Ace	
Ancillary/Seating	
54" wide	
100% polyurethane	
Polyester knit backing	
Stain resistant finish	
3AC01	Summer White
3AC02	White Ash
3AC03	Rye
3AC04	Metal
3AC05	Clay
3AC06	Chestnut
3AC08	Camelback
3AC09	Chipotle
3AC12	Artichoke
3AC13	Sepia Dark
3AC14	Aloe
3AC15	Flint
3AC16	Blue Sky
3AC17	Oceanside
3AC18	Midnight
3AC20	Frost
3AC21	Lead
3AC22	Black

Fractal	
Ancillary/Seating/Workspaces	
58" wide	
84% recycled polyester	
16% polyester	
43Z01	Granite
43Z02	Golden Olive
43Z03	Verdant
43Z04	Cadet

Ground Cloth®	
Workspaces	
66" wide	
100% polyester	
4701	Vapor Grey
4721	Warm White *
4722	Fog *
4723	Straw *
4724	Red Orange *
4726	Green Apple *
4727	Caribbean *
4728	Midnight *
4729	Cappuccino *

* Colors available on Exclave®
Video-friendly Tackable Boards
and Stowage Tackable Backdrop

Latitude	
Seating	
Colors for Mirra 2 Chairs	
100% polyester	
8M10	Alpine
8M17	Black
8M23	French Press
8M27	Cordovan
8M28	Ochre
8M28	Ultramarine
8M28	Olive

Meld – Maharam	
Ancillary/Seating/Workspaces	
54" wide	
68% post-consumer recycled polyester	
32% polyester	
PFOA-Free stain resistant	
ZM201/466387-201	Vast
ZM202/466387-202	Panda **
ZM203/466387-203	Skyline *
ZM204/466387-204	Knight **
ZM205/466387-205	Quill **
ZM206/466387-206	Pipe
ZM207/466387-207	Grate *
ZM208/466387-208	Gloss

Meld continued	
ZM209/466387-209	Bulb
ZM210/466387-210	Bride
ZM211/466387-211	Stark
ZM212/466387-212	Seashell
ZM213/466387-213	Antler
ZM214/466387-214	Crater *
ZM215/466387-215	Perennial
ZM216/466387-216	Mulberry
ZM217/466387-217	Fuchsia *
ZM218/466387-218	Amethyst *
ZM219/466387-219	Merlot
ZM220/466387-220	Magma *
ZM221/466387-221	Rooster
ZM222/466387-222	Heat *
ZM223/466387-223	Clementine
ZM224/466387-224	Fox
ZM225/466387-225	Kiss *
ZM226/466387-226	Bare
ZM227/466387-227	Blonde
ZM228/466387-228	Mimosa
ZM229/466387-229	Comet *
ZM230/466387-230	Honeydew
ZM231/466387-231	Wild *
ZM232/466387-232	Vine
ZM233/466387-233	Seed
ZM234/466387-234	Kale *
ZM235/466387-235	Waterfall *
ZM236/466387-236	Nordic *
ZM237/466387-237	Reef *
ZM238/466387-238	Wave
ZM239/466387-239	Isle **
ZM240/466387-240	Creek
ZM241/466387-241	Mariner *
ZM242/466387-242	Globe
ZM243/466387-243	Spa

* Colors available on
20-day lead time.

** Colors available on
10-day lead time.

Parcel	
Ancillary/Seating/Workspaces	
54" wide	
100% recycled polyester	
4GE01	Gunmetal
4GE02	Brindle
4GE03	Bayou
4GE04	Pesto
4GE05	Golden Olive
4GE06	Copper Sea

Saille - Geiger Textile	
Ancillary	
57" wide	
69% cotton	
31% polyester	
PFOA-Free stain resistant finish	
Acrylic backing	
18001	Coal
18002	Shale
18003	Haze
18004	Stone
18005	White *
18006	Beach
18007	Sand
18008	Blush
18009	Brick
18010	Fog
18011	Celadon
18012	Poolside
18013	Summer Sky
18014	Lake
18015	Midnight Blue

* Color not available on Eames®
Soft Pad Group Chairs/Ottomans.

Price category 3 continued on
next page

- Maharam textiles are on assigned lead times [A](#).
- Fabric numbers are listed as Herman Miller fabric number/Maharam fabric number.

Textile Colors

continued

Price Category 3

continued

Strands	
Workspaces	
66" wide	
100% recycled polyester	
8W01	Pebble
8W02	Porcelain
8W03	Taupe
8W04	Honey
8W05	Khaki
8W06	Rye
8W07	Wicker
8W08	Tin
8W09	Cool Grey

Price Category 4

Cygnus	
Ancillary	
For Eames® Aluminum Group Chairs	
69% elastomeric	
31% polyester	
5401	Black
5402	Zinc
5403	Quartz

Daydream	
Ancillary/Seating/Workspaces	
54" wide	
48% wool	
41% recycled polyester	
9% nylon	
2% polyester	
3DM01	Rye Grass
3DM02	Silver Birch
3DM03	Pewter
3DM04	Graphite
3DM05	Black
3DM06	Lemongrass
3DM07	Permission
3DM08	Juniper
3DM09	Sea Grass
3DM10	Nightfall

Hush	
Workspaces	
66" wide	
80% polyester	
20% viscose	
1HS01	Canyon
1HS02	Pesto
1HS03	Bayou
1HS04	Greystone
1HS05	Charcoal
1HS06	Rye Grass
1HS07	Cool Grey
1HS08	Dark Grey
1HS09	Aqua Green
1HS10	Nightfall

Kalista - Geiger Textile	
Ancillary	
54" wide	
71% post-industrial recycled cotton	
18% post-industrial recycled polyester	
11% polyester	
PFOA-Free stain resistant finish	
1AL01	Cotton
1AL02	Natural
1AL03	Titanium
1AL04	Pewter
1AL05	Starry Night
1AL06	Red Hot
1AL07	Sun Kissed
1AL08	Dune
1AL09	Beach Glass
1AL10	Bluestone
1AL11	Seaside
1AL12	Night Sky

Lariat - Maharam	
Ancillary/Seating	
54" wide	
100% vinyl	
ZLR01/440401-001	001
ZLR02/440401-002	002
ZLR04/440401-004	004
ZLR06/440401-006	006
ZLR07/440401-007	007
ZLR08/440401-008	008
ZLR10/440401-010	010
ZLR11/440401-011	011
ZLR13/440401-013	013
ZLR14/440401-014	014
ZLR15/440401-015	015
ZLR16/440401-016	016
ZLR18/440401-018	018
ZLR20/440401-020	020
ZLR21/440401-021	021
ZLR24/440401-024	024
ZLR25/440401-025	025
ZLR26/440401-026	026

Lariat continued	
ZLR28/440401-028	028
ZLR31/440401-031	031
ZLR32/440401-032	032
ZLR33/440401-033	033
ZLR34/440401-034	034
ZLR38/440401-038	038
ZLR39/440401-039	Granite
ZLR40/440401-040	Linen
ZLR41/440401-041	Stella
ZLR42/440401-042	Saddle
ZLR43/440401-043	Holly
ZLR44/440401-044	Maroon
ZLR45/440401-045	Siren
ZLR46/440401-046	Reseda
ZLR47/440401-047	Purslane
ZLR48/440401-048	Spire
ZLR49/440401-049	Papyrus
ZLR50/440401-050	Chickadee
ZLR51/440401-051	Requiem

Sync	
Ancillary/Seating	
55" wide	
100% polyester	
3SY01	Pine Cone
3SY03	Canyon
3SY04	Truffle
3SY06	Everglade
3SY08	Nightfall
3SY09	Dark Mineral
3SY10	Slate Grey
3SY11	Dark Carbon
3SY12	Black

Appendix: Textile Colors

- Maharam textiles are on assigned lead times [A](#).
- Fabric numbers are listed as Herman Miller fabric number/Maharam fabric number.

Textile Colors

continued

Price Category 5

Appendix: Textile Colors

Arlo - Maharam		Hopsak		Method - Maharam		Nico - Maharam	
Ancillary/Seating		Ancillary/Seating/Workspaces		Ancillary/Seating/Workspaces		Ancillary/Seating/Workspaces	
70% wool		56" wide		54" wide		54" wide	
30% polyester		100% recycled polyester		100% recycled polyester		63% wool	
5YT01 Turn		14A20 Black		with 9% ocean-bound plastic		21% polyester	
5YT02 Embers		14A22 Raw Umber Dark		40G01/466579-001 Inspire		16% solution-dyed nylon	
5YT03 Parallel		14A26 Grey Blue Dark		40G02/466579-002 Rhea		ZNC01/466564-001 Alcazar	
5YT04 Octave		14A30 Sepia Dark		40G03/466579-003 Noise		ZNC02/466564-002 Ironclad	
5YT05 Musing		14A38 Emerald Dark		40G04/466579-004 Speedway		ZNC03/466564-003 Tune	
5YT06 Summon		14A39 Yellow Dark		40G05/466579-005 Villanelle		ZNC04/466564-004 Bridegroom	
5YT07 Dynamic		14A40 Orange		40G06/466579-006 Maestro		ZNC05/466564-005 Diode	
5YT08 Signals		14A41 Sienna		40G07/466579-007 Destiny		ZNC06/466564-006 Jest	
5YT09 Aspect		14A42 Olive Green Dark		40G08/466579-008 Possess		ZNC07/466564-007 Sanctuary	
5YT10 Dedicate		14A43 Crimson		40G09/466579-009 Waterside		ZNC08/466564-008 Aquarius	
5YT11 Juniper		14A44 Crimson Dark Dark		40G10/466579-010 Relax		ZNC09/466564-009 Houseboat	
5YT12 Cilantro		14A45 Violet Dark		40G11/466579-011 Delightful		ZNC10/466564-010 Olympian	
5YT13 Hawthorn		14A46 Pink Dark Dark		40G12/466579-012 Parrotlet		ZNC11/466564-011 Tennis	
5YT14 Thread		14A47 Ultramarine Dark		40G13/466579-013 Verdurous		ZNC12/466564-012 Dressage	
5YT15 Spalted		14A48 Cobalt Blue		40G14/466579-014 Bosky		ZNC13/466564-013 Zing	
5YT16 Warmer		14A49 Terra Cotta		40G15/466579-015 Acreage		ZNC14/466564-014 Bitterroot	
5YT17 Misted		14A50 Ochre Dark		40G16/466579-016 Allude		ZNC15/466564-015 Gemini	
5YT18 Share				40G17/466579-017 Tweed		ZNC16/466564-016 Posh	
5YT19 Chord		Ingenu - Geiger Textile		40G18/466579-018 Korma		ZNC17/466564-017 Sizzle	
5YT20 Heroic		Ancillary		40G19/466579-019 Fossilize		ZNC18/466564-018 Cheerful	
5YT21 Arpeggio		54" wide		40G20/466579-020 Cattail		ZNC19/466564-019 Watermelon	
5YT22 Roots		28% wool		40G21/466579-021 Shortcake		ZNC20/466564-020 Toucan	
5YT23 Sumac		26% viscose		40G22/466579-022 Racecar		ZNC21/466564-021 Rosin	
5YT24 Purl		25% acrylic		40G23/466579-023 Courtship		ZNC22/466564-022 Jousting	
5YT25 Homeward		16% polyester		40G24/466579-024 Jam		ZNC23/466564-023 Jojoba	
		5% cotton		40G25/466579-025 Sparrow		ZNC24/466564-024 Dromedary	
		PFOA-Free stain resistant finish				ZNC25/466564-025 Toasty	
Cozy		1GH01 Sand				ZNC26/466564-026 Casaba	
Ancillary/Seating		1GH02 Fog				ZNC27/466564-027 Greenhouse	
54" wide		1GH03 Flannel				ZNC28/466564-028 Sibyl	
100% wool		1GH04 Trench				ZNC29/466564-029 Spearmint	
3CY01 Heathered Warm Grey		1GH05 Vermillion				ZNC30/466564-030 Pothos	
3CY02 Heathered Rye Grass		1GH06 Adriatic				ZNC31/466564-031 Calathea	
3CY03 Heathered Cool Grey		1GH07 Umber				ZNC32/466564-032 Landscape	
3CY05 Heathered Black		1GH08 Charcoal				ZNC33/466564-033 Espalier	
3CY06 Heathered Persimmon						ZNC34/466564-034 Gecko	
3CY07 Heathered Loden						ZNC35/466564-035 Meditation	
3CY09 Heathered Lagoon							
3CY10 Heathered Twilight							

Price category 5 continued on next page

- Maharam textiles are on assigned lead times **A**.
- Fabric numbers are listed as Herman Miller fabric number/Maharam fabric number.

Textile Colors

continued

Price Category 5

continued

Summit	
Ancillary/Seating	
54" wide	
100% silicone	
Polyester knit backing	
3SU02	Oyster
3SU03	Zinc
3SU04	Sparrow
3SU07	Black
3SU09	Beachglass
3SU10	Midnight

Vionette - Geiger Textile	
Ancillary	
55" wide	
100% polyester	
1GJ01	White Sand Mix
1GJ02	Desert Mix
1GJ03	Light Gray Mix
1GJ04	Pewter Mix
1GJ05	Cobalt Mix
1GJ06	Prussian Blue Mix
1GJ07	Chocolate Mix
1GJ08	Champagne
1GJ09	Morning Sky
1GJ10	Aquatic
1GJ11	Sapphire
1GJ12	Midnight Blue
1GJ13	Shadow
1GJ14	Java
1GJ15	Carbon
1GJ16	Black
1GJ17	Claret
1GJ18	Poppy

Price Category 6

Balance	
Seating	
For Embody® chairs	
100% polyester	
3512	Carbon
3513	Black

Outdoor Weave	
Ancillary	
For Eames® Aluminum Group	
Outdoor Chairs	
50% elastomeric	
50% polypropylene	
7203	Lead
7205	Graphite

Price Category 7

Customer's Own Leather	
See Order Information in	
Appendices. Assigned lead-time	
textile. A	

Bamboo	
Ancillary	
83% bamboo	
17% polyurethane	
1BB01	Ivory
1BB02	Russet
1BB03	Black

Beck – Maharam	
Ancillary/Seating	
55" wide	
78% wool	
22% nylon	
ZB301/466571-001	Overshadow
ZB302/466571-002	Molecule
ZB303/466571-003	Zeitgeist
ZB304/466571-004	Blacksmith
ZB305/466571-005	Cornerstone
ZB306/466571-006	Chainmail
ZB307/466571-007	Buckram
ZB308/466571-008	Callisto
ZB309/466571-009	Interlude
ZB310/466571-010	Letterpress
ZB311/466571-011	Memoir
ZB312/466571-012	Litmus
ZB313/466571-013	Stoic
ZB314/466571-014	Inkpad
ZB315/466571-015	Praxis
ZB316/466571-016	Astute
ZB317/466571-017	Percolate
ZB318/466571-018	Halocline
ZB319/466571-019	Semblance
ZB320/466571-020	Loch
ZB321/466571-021	Lido
ZB322/466571-022	Underwater
ZB323/466571-023	Tetrapod
ZB324/466571-024	Nymph
ZB325/466571-025	Appalachian

Beck continued	
ZB326/466571-026	Menthol
ZB327/466571-027	Woodruff
ZB328/466571-028	Malachite
ZB329/466571-029	Botanist
ZB330/466571-030	Woodlet
ZB331/466571-031	Katydid
ZB332/466571-032	Exuberant
ZB333/466571-033	Retrospect
ZB334/466571-034	Lambic
ZB335/466571-035	Argil
ZB336/466571-036	Brushstroke
ZB337/466571-037	Candescent
ZB338/466571-038	Reedbuck
ZB339/466571-039	Clayware
ZB340/466571-040	Curio
ZB341/466571-041	Whimsy
ZB342/466571-042	Effervescent
ZB343/466571-043	Lingonberry
ZB344/466571-044	Resplendent
ZB345/466571-045	Hollyhock
ZB346/466571-046	Filigree
ZB347/466571-047	Plutonic
ZB348/466571-048	Foundry
ZB349/466571-049	Patisserie
ZB390	Gold 007/032/033 *
ZB391	Russet 036/040/039 *
ZB392	Indigo 008/013/014 *
ZB393	Forest 006/031/028 *

* Colors available only on Girard Color Wheel Ottoman.

Price category 7 continued on next page

- Maharam textiles are on assigned lead times [A](#).
- Fabric numbers are listed as Herman Miller fabric number/Maharam fabric number.

Textile Colors

continued

Price Category 7

continued

Appendix: Textile Colors

Bellano - Geiger Textile	
Ancillary	
55" wide	
75% wool	
10% linen	
8% nylon	
7% alpaca	
1AX01	Pearl
1AX02	Fog
1AX03	Fawn
1AX04	Pumice
1AX05	Pewter
1AX06	Atlantic
1AX07	Black Green
1AX08	Adriatic
1AX09	Coffee
1AX10	Charcoal
1AX11	Umber
1AX12	Magenta
1AX13	Bittersweet
1AX14	Sunflower

Capri - Geiger Textile	
Ancillary	
55" wide	
36% cotton	
32% acrylic	
24% rayon	
8% polyester	
PFOA-Free stain resistant finish	
Acrylic backing	
17201	Snow
17202	Stone
17203	Trench
17204	Graphite
17205	Anthracite
17206	Light Silver
17207	Russet
17208	Chestnut Brown
17209	Sand
17210	Sterling
17211	Cobalt
17212	Ink

Mantle - Maharam	
Ancillary/Seating	
59% recycled polyester	
37% polyester	
4% spandex	
8PV01	Pavement
8PV02	Future
8PV03	Piper
8PV04	Manifesto
8PV05	Mapo
8PV06	Redwood
8PV07	Rocky
8PV08	Impala
8PV09	Warbler
8PV10	Guild
8PV11	Kinetic
8PV12	Behold
8PV13	Orb
8PV14	Sport
8PV15	Utopia
8PV16	True
8PV17	Galore
8PV18	Parsley
8PV19	Dare
8PV20	Branzino
8PV21	Network
8PV22	Standard
8PV23	Salamander
8PV24	Oscillate

Milaner - Geiger Textile	
Ancillary	
55" wide	
56% wool, 10% acrylic	
10% alpaca, 10% cotton	
8% nylon, 6% rayon	
17101	Linen
17102	Flax
17103	Bark
17104	Deep Navy
17105	Charcoal
17106	Medium Grey
17107	Ash
17108	Crimson

Panno di Dolce - Geiger Textile	
Ancillary	
55" wide	
65% wool	
20% nylon	
15% alpaca	
1AV01	Fog
1AV02	Dune
1AV03	Trench
1AV04	Flannel
1AV05	Charcoal
1AV06	Umber
1AV07	Deep Navy
1AV08	Graphite
1AV09	Orange
1AV10	Pink
1AV11	Deep Red
1AV12	Bright Green
1AV13	Cerulean Blue
1AV14	Deep Cerulean Blue

Pristina - Geiger Textile	
Ancillary	
55" wide	
37% wool	
25% viscose	
17% acrylic	
15% cotton	
6% polyester	
PFOA-Free stain resistant	
1JC01	Dove
1JC02	Goldstone
1JC03	Daybreak
1JC04	Pumice
1JC05	Cappuccino
1JC06	Gunmetal
1JC07	Caspian
1JC08	Café Noir

Resca - Geiger Textile	
Ancillary	
56" wide	
75% wool	
10% linen	
8% nylon	
7% alpaca	
1AW01	Fog
1AW02	Dune
1AW03	Trench
1AW04	Flannel
1AW05	Umber
1AW06	Bordeaux

Rowan - Maharam	
Ancillary/Seating	
77% wool	
12% nylon	
6% acrylic	
5% linen	
5K301	Kingdom
5K302	Northern
5K303	Rabbit
5K304	Elephant
5K305	Furrow
5K306	Heirloom
5K307	Appear
5K308	Repose
5K309	Blackcurrant
5K310	Courage
5K311	Bordeaux
5K312	Cherish
5K313	Brickfield
5K314	Hibiscus
5K315	Carnelian
5K316	Cinnabar
5K317	Toasted
5K318	Revea
5K319	Cortado
5K320	Medallion
5K321	Polenta

Price category 7 continued on next page

- Maharam textiles are on assigned lead times [A](#).
- Fabric numbers are listed as Herman Miller fabric number/Maharam fabric number.

Textile Colors

continued

Price Category 7

continued

Rowan continued	
5K322	Prized
5K323	Travertine
5K324	Companion
5K325	Library
5K326	Fable
5K327	Pixie
5K328	Arboretum
5K329	Ease
5K330	Sapling
5K331	Cottonwood
5K332	Scout
5K333	Valleyside
5K334	Ornament
5K335	Zucchini
5K336	Ethereal
5K337	Springtide
5K338	Traverse
5K339	Untold
5K340	Flowing
5K341	Laguna
5K342	Cerulean
5K343	Soundscape
5K344	Message
5K345	Freefall
5K346	Musical
5K347	Puzzle
5K348	Operatic
5K349	Daydream
5K350	Shale
5K351	Forward
5K352	Anthracite

Vesture - Geiger Textile	
Ancillary	
55" wide	
40% wool, 25% polyester	
20% silk, 15% nylon	
PFOA-Free stain resistant finish	
21701	Ashen
21702	Dark Blush
21703	Dusk
21704	Medium Gray
21705	Twilight

Wool Epinglé - Geiger Textile	
Ancillary	
54" wide	
100% wool	
16201	Swiss Red
16202	Orange
16203	Light Chestnut Brown
16204	Light Burnt Umber
16205	Pale Native Umber
16207	Grey
16208	Natier Blue
16209	Deep Cerulean Blue
16210	Anthracite
16211	Natural Native Umber
16212	Chestnut Brown

Wool Tweed - Geiger Textile	
Ancillary	
54" wide	
80% wool, 20% nylon	
16601	Trench
16602	Pewter
16603	Ruby
16604	Blue Gray
16605	Navy
16606	Umber
16607	Charcoal

Price Category 8

Breeze - Maharam	
Workspaces	
120" wide	
65% FR polyester	
35% post-consumer recycled	
FR polyester	
1QG06/283817-006	Meteorite
1QG09/283817-009	Serum

Luce - Maharam	
Ancillary/Seating	
59" wide	
75% post-consumer recycled wool	
20% polyester	
5% nylon	
ZLU01/466566-001	Brioche
ZLU02/466566-002	Blanched
ZLU03/466566-003	Relic
ZLU04/466566-004	Sinter
ZLU05/466566-005	Scoria
ZLU06/466566-006	Austere
ZLU07/466566-007	Pigment
ZLU08/466566-008	Alkali
ZLU09/466566-009	Tidal
ZLU10/466566-010	Imbue
ZLU11/466566-011	Reservoir
ZLU12/466566-012	Brine
ZLU13/466566-013	Undertone
ZLU14/466566-014	Prelude
ZLU15/466566-015	Submerge
ZLU16/466566-016	Cypress
ZLU17/466566-017	Awash
ZLU18/466566-018	Adriatic
ZLU19/466566-019	Province
ZLU20/466566-020	Virescent
ZLU21/466566-021	Nettle
ZLU22/466566-022	Agrarian
ZLU23/466566-023	Serpentine
ZLU24/466566-024	Laurel
ZLU25/466566-025	Clarion
ZLU26/466566-026	Gooseberry
ZLU27/466566-027	Swelter
ZLU28/466566-028	Etruscan
ZLU29/466566-029	Coulis
ZLU30/466566-030	Rubescant

Luce continued	
ZLU31/466566-031	Akoya
ZLU32/466566-032	Radiant
ZLU33/466566-033	Regent
ZLU34/466566-034	Spectral
ZLU35/466566-035	Thistle

Tempo - Maharam	
Ancillary	
55" wide	
100% polyester	
Polyester backing	
26S01/466589-001	Chert
26S02/466589-002	Grandstand
26S03/466589-003	Restful
26S04/466589-004	Battleship
26S05/466589-005	Lavender
26S06/466589-006	Dockside
26S07/466589-007	Swimming
26S08/466589-008	Ambience
26S09/466589-009	Adornment
26S10/466589-010	Remedy
26S11/466589-011	Fang
26S12/466589-012	Inshore
26S13/466589-013	Camouflage
26S14/466589-014	Mesclun
26S15/466589-015	Farmland
26S16/466589-016	Tadpole
26S17/466589-017	Purr
26S18/466589-018	Snowman
26S19/466589-019	Beehive
26S20/466589-020	Gazelle
26S21/466589-021	Shiitake
26S22/466589-022	Flaxseed
26S23/466589-023	Crawdad
26S24/466589-024	Flowery
26S25/466589-025	Burgundy
26S26/466589-026	Rangoli
26S27/466589-027	Petunia
26S28/466589-028	Campsite

Price category 8 continued on next page

- Maharam textiles are on assigned lead times ^A.
- Fabric numbers are listed as Herman Miller fabric number/Maharam fabric number.

Textile Colors

continued

Price Category 8

continued

Price Category 9

Appendix: Textile Colors

Whim	
Ancillary	
54" wide	
34% viscose	
33% acrylic	
17% wool	
8% polyester	
9DA01	Warm White
9DA02	Rye
9DA03	Mustard Seed
9DA04	Terra Cotta
9DA05	Fir
9DA06	Navy
9DA07	Pewter

Alpaca Mohair - Geiger Textile	
Ancillary	
54" wide	
63% alpaca	
21% cotton, 16% polyester	
18510	Dune
18511	Trench
18512	Vicuna
18570	Sepia
18571	Umber
18580	Fog
18581	Flannel
18582	Charcoal

Campana – Maharam	
Ancillary/Seating	
59" wide	
85% wool	
15% nylon	
ZC001/466571-001	Viverine
ZC002/466571-002	Lithograph
ZC003/466571-003	Moonscape
ZC004/466571-004	Brevity
ZC005/466571-005	Linear
ZC006/466571-006	Hinterland
ZC007/466571-007	Mural
ZC008/466571-008	Sloe
ZC009/466571-009	Interstellar
ZC010/466571-010	Mythology
ZC011/466571-011	Scintillate
ZC012/466571-012	Succession
ZC013/466571-013	Visceral
ZC014/466571-014	Hemisphere
ZC015/466571-015	Troposphere
ZC016/466571-016	Skye
ZC017/466571-017	Seaward
ZC018/466571-018	Nemorous
ZC019/466571-019	Allegory
ZC020/466571-020	Olivine
ZC021/466571-021	Reptilian
ZC022/466571-022	Basil
ZC023/466571-023	Fanleaf
ZC024/466571-024	Beachgrass
ZC025/466571-025	Hayfield

Campana continued	
ZC026/466571-026	Freesia
ZC027/466571-027	Rhodium
ZC028/466571-028	Undercoat
ZC029/466571-029	Airbrush
ZC030/466571-030	Shellfish
ZC031/466571-031	Mojave
ZC032/466571-032	Renaissance
ZC033/466571-033	Decoupage
ZC034/466571-034	Outback
ZC035/466571-035	Millipede

Gemma – Maharam	
Ancillary/Seating	
55" wide	
85% wool	
15% nylon	
ZGE01/466568-001	Crinoline
ZGE02/466568-002	Angelic
ZGE03/466568-003	Savory
ZGE04/466568-004	Honeycomb
ZGE05/466568-005	Gilded
ZGE06/466568-006	Paddleboat
ZGE07/466568-007	Stagecoach
ZGE08/466568-008	Waterbuck
ZGE09/466568-009	Earnest
ZGE10/466568-010	Auric
ZGE11/466568-011	Carmine
ZGE12/466568-012	Serape
ZGE13/466568-013	Ferric
ZGE14/466568-014	Canyon
ZGE15/466568-015	Alembic
ZGE16/466568-016	Patio
ZGE17/466568-017	Sorrel
ZGE18/466568-018	Root

Gemma continued	
ZGE19/466568-019	Mansion
ZGE20/466568-020	Buff
ZGE21/466568-021	Starch
ZGE22/466568-022	Dawn
ZGE23/466568-023	Countryside
ZGE24/466568-024	Dewy
ZGE25/466568-025	Reliquary
ZGE26/466568-026	Deluge
ZGE27/466568-027	Overlay
ZGE28/466568-028	Electron
ZGE29/466568-029	Sheath
ZGE30/466568-030	Quietude
ZGE31/466568-031	Jargon
ZGE32/466568-032	Powder
ZGE33/466568-033	Tide
ZGE34/466568-034	Outwash
ZGE35/466568-035	Enamored
ZGE36/466568-036	Smitten
ZGE37/466568-037	Revere
ZGE38/466568-038	Mangosteen
ZGE39/466568-039	Allium
ZGE40/466568-040	Immense
ZGE41/466568-041	Chamber
ZGE42/466568-042	Cosmos
ZGE43/466568-043	Inkling
ZGE44/466568-044	Rainwater
ZGE45/466568-045	Shade
ZGE46/466568-046	Pendant
ZGE47/466568-047	Axial
ZGE48/466568-048	Fervent
ZGE49/466568-049	Legacy
ZGE50/466568-050	Caliber
ZGE51/466568-051	Temple
ZGE52/466568-052	Evenfall

Price category 9 continued on next page

- Maharam textiles are on assigned lead times **A**.
- Fabric numbers are listed as Herman Miller fabric number/Maharam fabric number.

Textile Colors

continued

Price Category 9

continued

Jasper - Maharam
Ancillary/Seating
53" wide
55% wool
27% solution-dyed nylon
18% cotton
ZJA01/466563-001 Thrill
ZJA02/466563-002 Anise
ZJA03/466563-003 Grapefruit
ZJA04/466563-004 Lifeguard
ZJA05/466563-005 Heartfelt
ZJA06/466563-006 Corsage
ZJA07/466563-007 Earthenware
ZJA08/466563-008 Bear
ZJA09/466563-009 Firelight
ZJA10/466563-010 Dreamcatcher
ZJA11/466563-011 Bobcat
ZJA12/466563-012 Glacial
ZJA13/466563-013 Vaporize
ZJA14/466563-014 Trapdoor
ZJA15/466563-015 Halcyon
ZJA16/466563-016 Observatory
ZJA17/466563-017 Steamboat
ZJA18/466563-018 Aquathlon
ZJA19/466563-019 Cloudless
ZJA20/466563-020 Briny
ZJA21/466563-021 Magical
ZJA22/466563-022 Picnic
ZJA23/466563-023 Herbage
ZJA24/466563-024 Pasture
ZJA25/466563-025 Courtyard
ZJA26/466563-026 Leapfrog

Leather
Ancillary/Seating
approx. 50 sq. ft. per hide
100% leather
2101 Ivory
2109 Black *
2110 Smoke
2111 Graphite
2112 Khaki
2113 Rattan
2114 Truffle
2115 Alpine
2116 Haze
2117 Sable Grey
2118 Dark Mineral **
2119 Dark Carbon ***
2120 Cranberry
2121 Deep Sea

* Armpad color available on Aeron® Chair, Graphite.
 ** Armpad color available on Aeron Chair, Mineral.
 *** Armpad color available on Aeron Chair, Carbon.

Price Category 10

Bristol Leather - Geiger Textile
Ancillary
approx. 55 sq. ft. per hide
100% leather
5-507 Black
5-511 Putty
5-519 Hunter
5-520 White
5-521 Ivory
5-522 Parchment
5-537 Caribbean
5-546 Pumice
5-547 Smoke
5-548 Charcoal
5-549 Dark Shale
5-556 Downtown Grey
5-557 City Night
5-559 Ash Grey
5-563 Champagne
5-564 Chestnut Brown
5-565 Dark Sienna
5-566 Earthen
5-567 Desert
5-568 British Green
5-579 Paris Blue
5-583 Atlantic
5-592 Camel
5-594 Taupe
5-597 Pure *
5-598 Cream
5-600 Midnight Blue
5-603 Sangria
5-604 Swiss Red
5-605 Nordic Yellow
5-606 Sky Grey
5-608 Natural

* Color not available on Saiba Chair.

Firma – Maharam
Ancillary/Seating
55" wide
78% wool
22% nylon
3KH01/466582-001 Wrath
3KH02/466582-002 Pantomime
3KH03/466582-003 Shaded
3KH04/466582-004 Prologue
3KH05/466582-005 Framework
3KH06/466582-006 Railroad
3KH07/466582-007 Grommet
3KH08/466582-008 Lunisolar
3KH09/466582-009 Snowpack
3KH10/466582-010 Coldsnap
3KH11/466582-011 Sealift
3KH12/466582-012 Brood
3KH13/466582-013 Intertidal
3KH14/466582-014 Confide
3KH15/466582-015 Secluded
3KH16/466582-016 Leisure
3KH17/466582-017 Portfolio
3KH18/466582-018 Strato
3KH19/466582-019 Fogbow
3KH20/466582-020 Snowcone
3KH21/466582-021 Kazoo
3KH22/466582-022 Esteem
3KH23/466582-023 Mackerel
3KH24/466582-024 Brooch
3KH25/466582-025 Caesious
3KH26/466582-026 Islet
3KH27/466582-027 Biosphere
3KH28/466582-028 Hilltop
3KH29/466582-029 Arboreal
3KH30/466582-030 Lineage
3KH31/466582-031 Comfrey
3KH32/466582-032 Circe
3KH33/466582-033 Ecosystem
3KH34/466582-034 Knack
3KH35/466582-035 Watt
3KH36/466582-036 Epiphany
3KH37/466582-037 Gamma
3KH38/466582-038 Taxicab
3KH39/466582-039 Varietal
3KH40/466582-040 Tale

Price category 10 continued on next page

- Maharam textiles are on assigned lead times A.
- Fabric numbers are listed as Herman Miller fabric number/Maharam fabric number.

Textile Colors

continued

Price Category 10

continued

Firma continued	Gemma Multi continued	Gemma Multi Reverse – Maharam	Gemma Multi Reverse continued
3KH41/466582-041 Elemental	ZGF19/466569-019 Crocus	Ancillary/Seating	ZGF78/466569-121 Roulette
3KH42/466582-042 Cuff	ZGF20/466569-020 Memoir	55" wide	Reverse
3KH43/466582-043 Emu	ZGF21/466569-021 Roulette	85% wool	ZGF79/466569-122 Voltaic
3KH44/466582-044 Tempeh	ZGF22/466569-022 Voltaic	15% nylon	Reverse
3KH45/466582-045 Tephra	ZGF23/466569-023 Compote	ZGF58/466569-101 Andromeda	ZGF80/466569-123 Compote
3KH46/466582-046 Shellac	ZGF24/466569-024 Lambent	Reverse	Reverse
3KH47/466582-047 Emporium	ZGF25/466569-025 Twister	ZGF59/466569-102 Dappled	ZGF81/466569-124 Lambent
3KH48/466582-048 Keratin	ZGF26/466569-026 Chronicle	Reverse	Reverse
3KH49/466582-049 Camwood	ZGF27/466569-027 Sidereal	ZGF60/466569-103 Lyra	ZGF82/466569-125 Twister
3KH50/466582-050 Gloam	ZGF28/466569-028 Tanzanite	Reverse	Reverse
3KH51/466582-051 Novela	ZGF29/466569-029 Crystalize	ZGF61/466569-104 Flaunt	ZGF83/466569-126 Chronicle
3KH52/466582-052 Fruitpunch	ZGF30/466569-030 Chromium	Reverse	Reverse
3KH53/466582-053 Decant	ZGF31/466569-031 Pallium	ZGF62/466569-105 Celluloid	ZGF84/466569-127 Sidereal
3KH54/466582-054 Milkshake	ZGF32/466569-032 Spectre	Reverse	Reverse
3KH55/466582-055 Metaphysic	ZGF33/466569-033 Courgette	ZGF63/466569-106 Hydrozoa	ZGF85/466569-128 Tanzanite
3KH56/466582-056 Carafe	ZGF34/466569-034 Viper	Reverse	Reverse
3KH57/466582-057 Voyager	ZGF35/466569-035 Sunlit	ZGF64/466569-107 Firefly	ZGF86/466569-129 Crystalize
3KH58/466582-058 Tenebrous	ZGF36/466569-036 Heavenly	Reverse	Reverse
3KH59/466582-059 Subtext	ZGF37/466569-037 Vernal	ZGF65/466569-108 Pisces	ZGF87/466569-130 Chromium
3KH60/466582-060 Silent	ZGF38/466569-038 Cress	Reverse	Reverse
	ZGF39/466569-039 Limn	ZGF66/466569-109 Strath	ZGF88/466569-131 Pallium
	ZGF40/466569-040 Horseradish	Reverse	Reverse
	ZGF41/466569-041 Shandy	ZGF67/466569-110 Erosion	ZGF89/466569-132 Spectre
	ZGF42/466569-042 Granary	Reverse	Reverse
	ZGF43/466569-043 Percolate	ZGF68/466569-111 Cabaret	ZGF90/466569-133 Courgette
	ZGF44/466569-044 Motor	Reverse	Reverse
	ZGF45/466569-045 Unicorn	ZGF69/466569-112 Candytuft	ZGF91/466569-134 Viper
	ZGF46/466569-046 Lobster	Reverse	Reverse
	ZGF47/466569-047 Rhododendron	ZGF70/466569-113 Juice	ZGF92/466569-135 Sunlit
	ZGF48/466569-048 Taffy	Reverse	Reverse
	ZGF49/466569-049 Rishi	ZGF71/466569-114 Fairground	ZGF93/466569-136 Heavenly
	ZGF50/466569-050 Backcountry	Reverse	Reverse
	ZGF51/466569-051 Buckthorn	ZGF72/466569-115 Copperplate	ZGF94/466569-137 Vernal
	ZGF52/466569-052 Coniferous	Reverse	Reverse
	ZGF53/466569-053 Delphic	ZGF73/466569-116 Sunbird	ZGF95/466569-138 Cress
	ZGF54/466569-054 Hieroglyph	Reverse	Reverse
	ZGF55/466569-055 Eiderdown	ZGF74/466569-117 Cinematic	ZGF96/466569-139 Limn
	ZGF56/466569-056 Sandbar	Reverse	Reverse
	ZGF57/466569-057 Tanager	ZGF75/466569-118 Clairvoyant	ZGF97/466569-140 Horseradish
		Reverse	Reverse
		ZGF76/466569-119 Crocus	ZGF98/466569-141 Shandy
		Reverse	Reverse
		ZGF77/466569-120 Memoir	ZGF99/466569-142 Granary
		Reverse	Reverse

- Maharam textiles are on assigned lead times A.
- Fabric numbers are listed as Herman Miller fabric number/Maharam fabric number.

Price category 10 continued on next page

Textile Colors

continued

Price Category 10

continued

Gemma Multi Reverse *continued*

ZGFA0/466569-143	Percolate
	Reverse
ZGFA1/466569-144	Motor
	Reverse
ZGFA2/466569-145	Unicorn
	Reverse
ZGFA3/466569-146	Lobster
	Reverse
ZGFA4/466569-147	Rhododendron
	Reverse
ZGFA5/466569-148	Taffy
	Reverse
ZGFA6/466569-149	Rishi
	Reverse
ZGFA7/466569-150	Backcountry
	Reverse
ZGFA8/466569-151	Buckthorn
	Reverse
ZGFA9/466569-152	Coniferous
	Reverse
ZGFB0/466569-153	Delphic
	Reverse
ZGFB1/466569-154	Hieroglyph
	Reverse
ZGFB2/466569-155	Eiderdown
	Reverse
ZGFB3/466569-157	Tanager
	Reverse

Petra - Maharam

Ancillary/Seating	
55" wide	
70% wool	
19% linen	
11% nylon	
ZP401/466580-001	Hieroglyph
ZP402/466580-002	Interior
ZP403/466580-003	Samovar
ZP404/466580-004	Calcite
ZP405/466580-005	Silversmith
ZP406/466580-006	Rivet
ZP407/466580-007	Carpolite
ZP408/466580-008	Bonbon

Petra *continued*

ZP409/466580-009	Dreamy
ZP410/466580-010	Bejewel
ZP411/466580-011	Sashimi
ZP412/466580-012	Spirula
ZP413/466580-013	Chalet
ZP414/466580-014	Reindeer
ZP415/466580-015	Nostalgia
ZP416/466580-016	Trove
ZP417/466580-017	Narcissus
ZP418/466580-018	Yurt
ZP419/466580-019	Congee
ZP420/466580-020	Genepy
ZP421/466580-021	Herbaceous
ZP422/466580-022	Paddock
ZP423/466580-023	Precious
ZP424/466580-024	Biome
ZP425/466580-025	Tinted
ZP426/466580-026	Pelagic
ZP427/466580-027	Bluebill
ZP428/466580-028	Chicory
ZP429/466580-029	Eaglet
ZP430/466580-030	Permafrost
ZP431/466580-031	Atlantic
ZP432/466580-032	Airstream
ZP433/466580-033	Debonair

Superweave - Maharam

Ancillary	
54" wide	
75% polyester	
25% cotton	
Z2203/466241-005	Sienna
Z2204/466241-002	Ochre
Z2207/466241-004	Marine
Z2208/466241-003	Olive
Z2220/466241-001	Orange and Pink

Price Category 11

Felix - Maharam

Ancillary/Seating	
85% wool	
15% nylon	
3BS01	Angular
3BS02	Shark
3BS03	Easy
3BS04	Cue
3BS05	Rye
3BS06	Champion
3BS07	Between
3BS08	Propose
3BS09	Rising
3BS10	Tile
3BS11	Place
3BS12	Kernel
3BS13	Pinnacle
3BS14	Darling
3BS15	Seasonal
3BS16	Shipmate
3BS17	Jump
3BS18	Geyser
3BS19	Team

Prone Leather - Maharam

Ancillary	
approx. 50 sq. ft. per hide	
100% leather	
protective top coat	
1NX01/700020-001	Lotus
1NX02/700020-002	Timbre
1NX03/700020-003	Essence
1NX04/700020-004	Script
1NX05/700020-005	Gambit
1NX06/700020-006	Obsidian
1NX07/700020-007	Sail
1NX09/700020-009	Vine
1NX10/700020-010	Yarrow
1NX13/700020-013	Balsa
1NX14/700020-014	Shore
1NX15/700020-015	Bricolage
1NX17/700020-017	Ledge
1NX19/700020-019	Mantra
1NX20/700020-020	Java
1NX21/700020-021	Lute
1NX22/700020-022	Glow
1NX23/700020-023	Hickory

Tenera Leather - Geiger Textile

Ancillary	
approx. 55 sq. ft. per hide	
100% leather	
17501	Cement
17502	Marzipan
17504	Raw Sienna
17505	Maple
17508	Cranberry
17510	Dark Chocolate
17511	Black
17512	Carbon
17513	Sapphire

- Maharam textiles are on assigned lead times [A](#).
- Fabric numbers are listed as Herman Miller fabric number/Maharam fabric number.

Textile Colors

continued

Appendix: Textile Colors

Price Category 12-13

No fabrics available at this time.

Price Category 14

Lanalux - Maharam

Ancillary
 54" wide
 100% wool
 Z1375/466240-005 Black/White
 Z1378/466240-006 Olive/Black
 Z1380/466240-001 Natural
 Z1383/466240-002 Umber
 Z1384/466240-007 Natural/Black
 Z1386/466240-003 Orange
 Z1387/466240-004 Crimson

Price Category A

No fabrics available at this time.

Price Category B

Medium – Maharam

Ancillary/Seating/Workspaces
 54" wide
 100% polyester
 VM01/463490-001 Raven
 VM02/463490-002 Smoke
 VM03/463490-003 Alloy
 VM04/463490-004 Flax
 VM07/463490-007 Espresso
 VM14/463490-014 Laser
 VM16/463490-016 Port
 VM22/463490-022 Marina
 VM29/463490-029 Pistachio
 VM32/463490-032 Prospect
 VM36/463490-036 Delight
 VM39/463490-039 Nautical
 VM40/463490-040 Pool
 VM44/463490-044 Washed
 VM45/463490-045 Sculpture
 VM46/463490-046 Thatched
 VM47/463490-047 Hike
 VM48/463490-048 Tangle
 VM49/463490-049 Pacific
 VM50/463490-050 Cosmic
 VM51/463490-051 Cascade
 VM52/463490-052 Blackberry
 VM53/463490-053 Nasturtium

Messenger – Maharam

Ancillary/Seating/Workspaces
 54" wide
 78% post-industrial recycled polyester
 15% polyester, 7% nylon
 TI07/458640-007 Shadow
 TI08/458640-008 Bayou *
 TI24/458640-024 Poppy
 TI25/458640-025 Mao
 TI29/458640-029 Onyx *
 TI31/458640-031 Cloud *
 TI38/458640-038 Depth *
 TI40/458640-040 Nile *
 TI41/458640-041 Azure *

Price category B continued on next page

- Maharam textiles are on assigned lead times [A](#).
- Fabric numbers are listed as Herman Miller fabric number/Maharam fabric number.

Textile Colors

continued

Price Category B

continued

Messenger continued	
TI45/458640-045	Cactus *
TI46/458640-046	Ice * **
TI48/458640-048	Neon
TI50/458640-050	Hydrangea
TI53/458640-053	Tangelo
TI54/458640-054	Lumine *
TI58/458640-058	Snow ** ***
TI60/458640-060	Peridot
TI61/458640-061	Capri *
TI62/458640-062	Ultramarine
TI63/458640-063	Squall
TI66/458640-066	Cassis
TI67/458640-067	Aster
TI69/458640-069	Cherry
TI70/458640-070	Vibrant
TI71/458640-071	Satsuma *
TI72/458640-072	Maize
TI76/458640-076	Fossil
TI77/458640-077	Ash
TI78/458640-078	Tusk
TI79/458640-079	Oyster **
TI81/458640-081	Husk
TI84/458640-084	Robust
TI85/458640-085	Beyond
TI86/458640-086	Voyage *
TI87/458640-087	Everglade
TI89/458640-089	Blanch ***
TI90/458640-090	Longspur
TI91/458640-091	Vireo
TI92/458640-092	Dipper
TI93/458640-093	Gale
TI94/458640-094	Hunter
TI95/458640-095	Lime
TI96/458640-096	Apple
TI97/458640-097	Krill
TI98/458640-098	Catalyst

* Colors available on 20-day lead time.

** Colors not available on Eames Molded Fiberglass and Molded Plastic Side Chairs.

*** Colors not available on Valor Seating.

- Maharam textiles are on assigned lead times [A](#).
- Fabric numbers are listed as Herman Miller fabric number/Maharam fabric number.

Price Category C

Manner - Maharam	
Ancillary/Seating/Workspaces	
54" wide	
65% post-industrial recycled polyester	
35% post-consumer recycled polyester	
Z2701/466177-001	Magic
Z2702/466177-002	Carob
Z2703/466177-003	Porpoise
Z2704/466177-004	Flint
Z2705/466177-005	Hush *
Z2706/466177-006	Nuance
Z2711/466177-011	Ember
Z2712/466177-012	Wagon
Z2713/466177-013	Ablaze
Z2714/466177-014	Peel
Z2716/466177-016	Butterscotch
Z2717/466177-017	Harvest
Z2720/466177-020	Parakeet
Z2722/466177-022	Aquatic
Z2723/466177-023	Cottage
Z2724/466177-024	Dahlia
Z2725/466177-025	Vivid
Z2726/466177-026	Basin
Z2727/466177-027	Schooner
Z2728/466177-028	Slope
Z2729/466177-029	Silverpoint
Z2730/466177-030	Lattice
Z2731/466177-031	Smoky
Z2732/466177-032	Magnetic
Z2733/466177-033	Woad
Z2734/466177-034	Resolute
Z2735/466177-035	Cruise
Z2736/466177-036	Atmospheric
Z2737/466177-037	Cloudburst
Z2738/466177-038	Tidewater
Z2739/466177-039	Firth
Z2740/466177-040	Oceanside
Z2741/466177-041	Grandeur
Z2742/466177-042	Comfort
Z2743/466177-043	Dill
Z2744/466177-044	Poplar
Z2745/466177-045	Citronella
Z2746/466177-046	Passerine

Manner continued	
Z2747/466177-047	Southwest
Z2748/466177-048	Roseate
Z2749/466177-049	Charisma
Z2750/466177-050	Siltstone
Z2751/466177-051	Kimono
Z2752/466177-052	Valiant
Z2753/466177-053	Baroness

* Color not available on Eames Aluminum Group, Executive Chairs, Upholstered Molded Plywood Chairs, and Sofa Compact.

Merit - Maharam	
Ancillary/Seating	
54" wide	
76% post-industrial recycled polyester	
24% polyester	
PFOA-Free stain resistant	
88Z01/466444-001	Trickle
88Z02/466444-002	Beluga
88Z03/466444-003	Gunmetal
88Z04/466444-004	Blackout
88Z05/466444-005	Superior
88Z06/466444-006	Ocean
88Z07/466444-007	Highborn
88Z08/466444-008	Immersed
88Z09/466444-009	Rainfall
88Z10/466444-010	Blizzard
88Z11/466444-011	Poolside
88Z12/466444-012	Steel
88Z13/466444-013	Zircon
88Z14/466444-014	Ripple
88Z15/466444-015	Aegean
88Z16/466444-016	Armada
88Z17/466444-017	Hedera
88Z18/466444-018	Rainforest
88Z19/466444-019	Gator
88Z20/466444-020	Vineyard
88Z21/466444-021	Pine
88Z22/466444-022	Kiwi
88Z23/466444-023	Kookaburra

Merit continued	
88Z24/466444-024	Bellini
88Z25/466444-025	Sunflower
88Z26/466444-026	Sandstorm
88Z27/466444-027	Mudder
88Z28/466444-028	Lynx
88Z29/466444-029	Farro
88Z30/466444-030	Manila
88Z31/466444-031	Starfish
88Z32/466444-032	Brass
88Z33/466444-033	Arrow
88Z34/466444-034	Gelato
88Z35/466444-035	Nectarine
88Z36/466444-036	Macaron
88Z37/466444-037	Alert
88Z38/466444-038	Goji
88Z39/466444-039	Cabernet
88Z40/466444-040	Eggplant
88Z41/466444-041	Hawk
88Z42/466444-042	Stag
88Z43/466444-043	Overcast

Metric - Maharam	
Ancillary/Seating/Workspaces	
54" wide	
51% post-industrial recycled polyester	
49% polyester	
Z302/466014-002	Fog
Z303/466014-003	Fleece
Z312/466014-012	Cardinal
Z313/466014-013	Lava
Z318/466014-018	Pollen
Z320/466014-020	Alligator
Z323/466014-023	Tar
Z324/466014-024	Anchor
Z326/466014-026	Admiral
Z327/466014-027	Seaport
Z328/466014-028	Scuba
Z329/466014-029	Skate
Z330/466014-030	Hopscotch
Z331/466014-031	Film
Z332/466014-032	Whale
Z333/466014-033	Downpour
Z334/466014-034	Midday

Price category C continued on next page

Textile Colors

continued

Price Category C

continued

Metric continued	
Z335/466014-035	Talisman
Z336/466014-036	Hedgerow
Z337/466014-037	Snorkel
Z338/466014-038	Highway
Z339/466014-039	Canary
Z340/466014-040	Sunny
Z341/466014-041	Aztec
Z342/466014-042	Fruit
Z343/466014-043	Galah
Z344/466014-044	Kiln
Z345/466014-045	Moth

Murmur - Maharam	
Ancillary/Seating	
55" wide	
100% polyester	
PFOA-Free stain resistant	
8EY01/466446-001	Gust
8EY02/466446-002	Harmonica
8EY03/466446-003	Canopy
8EY04/466446-004	Dim
8EY05/466446-005	Peppercorn
8EY06/466446-006	Cauldron
8EY07/466446-007	Conquer
8EY08/466446-008	Rapids
8EY09/466446-009	Seawater
8EY10/466446-010	Baby
8EY11/466446-011	Elderberry
8EY12/466446-012	Iceberg
8EY13/466446-013	Tallgrass
8EY14/466446-014	Underground
8EY15/466446-015	Biome
8EY16/466446-016	Cask
8EY17/466446-017	Argan
8EY18/466446-018	Sundown
8EY19/466446-019	Ignite
8EY20/466446-020	Sultry
8EY21/466446-021	Sangria

Price Category D

Bluff - Maharam	
Ancillary/Seating	
54" wide	
100% polyurethane	
Ink-resistant protective top coat	
Polyester backing	
8I801/466489-001	Loom
8I802/466489-002	Helm
8I803/466489-003	Cruller
8I804/466489-004	Folklore
8I805/466489-005	Beguile
8I806/466489-006	Sherpa
8I807/466489-007	Teleport
8I808/466489-008	Annex
8I809/466489-009	Lorimer
8I810/466489-010	Cinema
8I811/466489-011	Zip
8I812/466489-012	Coach
8I813/466489-013	Supernova
8I814/466489-014	Pirate
8I815/466489-015	Academy
8I816/466489-016	Disco
8I817/466489-017	Equator
8I818/466489-018	Brink
8I819/466489-019	Scene
8I820/466489-020	Petrichor
8I821/466489-021	Exotic
8I822/466489-022	Fauna
8I823/466489-023	Calabash
8I824/466489-024	Fuscous
8I825/466489-025	Wildling
8I826/466489-026	Blitz
8I827/466489-027	Allspice
8I828/466489-028	Lumos
8I829/466489-029	Pilot
8I830/466489-030	Jukebox
8I831/466489-031	Dugout
8I832/466489-032	Claret
8I833/466489-033	Flamenco

Mode - Maharam	
Ancillary/Seating/Workspaces	
54" wide	
80% post-consumer recycled polyester	
20% polyester	
PFOA-Free stain resistant finish	
ZMD01/466337-001	Stroll
ZMD02/466337-002	Intaglio
ZMD03/466337-003	Ominous
ZMD04/466337-004	Machine
ZMD05/466337-005	Talus
ZMD06/466337-006	Marsh
ZMD07/466337-007	Hollow
ZMD08/466337-008	Sycamore
ZMD09/466337-009	Clavicle
ZMD10/466337-010	Billygoat
ZMD11/466337-011	Spindle
ZMD12/466337-012	Lemon
ZMD13/466337-013	Oxeye
ZMD14/466337-014	Henge
ZMD15/466337-015	Goldenrod
ZMD16/466337-016	Cottontail
ZMD17/466337-017	Lioness
ZMD18/466337-018	Oriole
ZMD19/466337-019	Rust
ZMD20/466337-020	Carotene
ZMD21/466337-021	Blush
ZMD22/466337-022	Vermilion
ZMD23/466337-023	Alder
ZMD24/466337-024	Kermes
ZMD25/466337-025	Barberry
ZMD26/466337-026	Petal
ZMD27/466337-027	Valley
ZMD28/466337-028	Odyssey
ZMD29/466337-029	Ballpoint
ZMD30/466337-030	Toile
ZMD31/466337-031	Paradise

Mode continued	
ZMD32/466337-032	Angelfish
ZMD33/466337-033	Denim
ZMD34/466337-034	Crush
ZMD35/466337-035	Jetty
ZMD36/466337-036	Saltwater
ZMD37/466337-037	Mallard
ZMD38/466337-038	Celtic
ZMD39/466337-039	Eucalyptus
ZMD40/466337-040	Bonsai
ZMD41/466337-041	Sassafras
ZMD42/466337-042	Yucca
ZMD43/466337-043	Lichen

Spiral - Maharam	
Workspaces	
66" wide	
100% polyester	
ZS301/901882-001	Chalk
ZS303/901882-003	Wheat
ZS304/901882-004	Mica
ZS305/901882-005	Pavement
ZS306/901882-006	Graphite

- Maharam textiles are on assigned lead times [A](#).
- Fabric numbers are listed as Herman Miller fabric number/Maharam fabric number.

Textile Colors

continued

Price Category E

Article – Maharam	
Ancillary/Seating	
54" wide	
100% vinyl	
ZAT08/458600-008	Marina
ZAT13/458600-013	Flume
ZAT14/458600-014	Storm
ZAT15/458600-015	Toast
ZAT19/458600-019	Fleece
ZAT22/458600-022	Stone
ZAT26/458600-026	Mercury
ZAT29/458600-029	Bluegrass
ZAT31/458600-031	Truffle
ZAT32/458600-032	Gravel
ZAT33/458600-033	Value
ZAT34/458600-034	Tint
ZAT35/458600-035	Snowflake
ZAT36/458600-036	Chalice
ZAT37/458600-037	Trail
ZAT38/458600-038	Pyramid
ZAT39/458600-039	Desert
ZAT40/458600-040	Lei
ZAT41/458600-041	Rouge
ZAT42/458600-042	Karma
ZAT43/458600-043	Opal
ZAT44/458600-044	Periwinkle
ZAT45/458600-045	Vampire
ZAT46/458600-046	Surf
ZAT47/458600-047	Plumage

Flock - Maharam	
Workspaces	
63" wide	
100% polyester	
ZF301/901892-001	Calm
ZF302/901892-002	Course
ZF303/901892-003	Highlight
ZF305/901892-005	Poppy
ZF306/901892-006	Briefcase
ZF307/901892-007	Monkstrap
ZF308/901892-008	Quag
ZF309/901892-009	Pistachio
ZF310/901892-010	Froth
ZF311/901892-011	Celadon
ZF312/901892-012	Highsea
ZF313/901892-013	China
ZF314/901892-014	Victorian
ZF315/901892-015	Commander
ZF316/901892-016	Raven
ZF317/901892-017	Aluminum

Micro – Maharam	
Ancillary	
54" wide	
100% vinyl	
ZMB01/466099-001	Muslin
ZMB04/466099-004	Basalt
ZMB06/466099-006	Phantom
ZMB07/466099-007	Depth
ZMB08/466099-008	Cottage
ZMB09/466099-009	Hunter
ZMB11/466099-011	Tomatillo
ZMB12/466099-012	Brew
ZMB14/466099-014	Tang
ZMB15/466099-015	Risk

Parallel – Maharam	
Workspaces	
66" wide	
100% recycled polyester	
TT03/901180-003	Fog
TT22/901180-022	Sterling
TT23/901180-023	Linen
TT24/901180-024	Pea
TT27/901180-027	Boulder
TT28/901180-028	Stream
TT29/901180-029	Shiitake
TT32/901180-032	Brandy
TT33/901180-033	Crater
TT36/901180-036	Quail

Price Category F

Apt – Maharam	
Ancillary/Seating	
54" wide	
100% polyurethane/silicone	
Ink-resistant protective top coat	
Polyester backing	
82T12/466392-012	Iris
82T13/466392-013	Nocturnal
82T14/466392-014	Fluid
82T15/466392-015	Eden
82T16/466392-016	Galactic
82T17/466392-017	Shoreline
82T18/466392-018	Jade
82T19/466392-019	Garden
82T20/466392-020	Botanic
82T21/466392-021	Chartreuse
82T23/466392-023	Lyric
82T24/466392-024	Turmeric
82T25/466392-025	Bengal
82T26/466392-026	Core
82T27/466392-027	Mantle
82T28/466392-028	Sorbet
82T32/466392-032	Oak
82T33/466392-033	Castle
82T34/466392-034	Follow
82T35/466392-035	Elixir
82T36/466392-036	Charm
82T37/466392-037	Descend
82T38/466392-009	Sketch
82T39/466392-010	Glacier
82T40/466392-031	Fortress
82T41/466392-030	Lotus
82T42/466392-001	Coconut
82T43/466392-011	Cobblestone
82T44/466392-029	Bloom
82T45/466392-022	Crepe
82T46/466392-006	Hickory
82T47/466392-007	Constellation
82T48/466392-008	Labyrinth
82T49/466392-002	Vibe
82T50/466392-003	Stampede
82T51/466392-004	Lumber
82T52/466392-005	Gingerbread

Appendix: Textile Colors

- Maharam textiles are on assigned lead times [A](#).
- Fabric numbers are listed as Herman Miller fabric number/Maharam fabric number.

Price category F continued on next page

Textile Colors

continued

Price Category F

continued

Appendix: Textile Colors

Brindle - Maharam	
Ancillary/Seating	
58" wide	
100% polyester	
PFOA-free stain resistant	
Acrylic backing	
87101/466418-001	Calico
87102/466418-002	Mauve
87103/466418-003	Torch
87104/466418-004	Burnt
87105/466418-005	Barn
87106/466418-006	Pharaoh
87107/466418-007	Sandbur
87108/466418-008	Jungle
87109/466418-009	Inland
87110/466418-009	Seagrass
87111/466418-009	Watercolor
87112/466418-009	Aquarium
87113/466418-009	Drill

Chime - Maharam	
Ancillary	
54" wide	
100% vinyl	
V9M3/465350-003	Morel
V9MB/465350-011	Tranquil
V9M/465350-020	Slate
V9MV/465350-031	Verve
V9MW/465350-032	Understory

Conduit - Maharam	
Ancillary/Seating	
58" wide	
100% polyester	
PFOA-free stain resistant	
Acrylic backing	
87Z01/466428-001	Space
87Z02/466428-002	Syrup
87Z03/466428-003	Nimbus
87Z04/466428-004	Greystone
87Z05/466428-005	Fawn
87Z06/466428-006	Ghost
87Z07/466428-007	Caribbean
87Z08/466428-008	Canal
87Z09/466428-009	Bonfire

Emit - Maharam	
Workspaces	
54" wide	
55% post-industrial recycled polyester	
45% post-consumer recycled polyester	
PFOA-free stain resistant	
8EX01/466378-001	Wed
8EX02/466378-002	Zebra
8EX03/466378-003	Chiffon
8EX05/466378-005	Nectar
8EX06/466378-006	Elk
8EX08/466378-008	Goldenrod
8EX09/466378-009	Beached
8EX10/466378-010	Samba
8EX11/466378-011	Nest
8EX14/466378-014	Groove
8EX17/466378-017	Haiku
8EX18/466378-018	Bluefin
8EX19/466378-019	Flow
8EX20/466378-020	Xenon
8EX21/466378-021	Artem
8EX22/466378-022	Zen
8EX25/466378-025	Limeade

Instill - Maharam	
Ancillary/Seating	
54" wide	
100% polyurethane	
Ink-resistant protective top coat	
Polyester backing	
74M01/466351-001	Page
74M02/466351-002	Limestone
74M03/466351-003	Bobwhite
74M04/466351-004	Loafer
74M07/466351-007	Shaker
74M08/466351-008	Doe
74M09/466351-009	Ride
74M10/466351-010	Squire
74M11/466351-011	Tannin
74M12/466351-012	Vitis
74M14/466351-014	Quail
74M15/466351-015	Brittanic
74M16/466351-016	Narwhal
74M18/466351-018	Stowaway
74M19/466351-019	Koala
74M20/466351-020	Dorsal
74M21/466351-021	Stealth
74M22/466351-022	Mosey
74M23/466351-023	Beachfront
74M24/466351-024	Discovery
74M25/466351-025	Grasp
74M26/466351-026	Arboreous
74M27/466351-027	Yearling
74M28/466351-028	Allele
74M29/466351-029	Eager
74M30/466351-030	Rise
74M31/466351-031	Latte
74M32/466351-032	Compose
74M33/466351-033	Furrow
74M34/466351-034	Tenor
74M35/466351-035	Annatto
74M36/466351-036	Together
74M37/466351-037	Intention
74M38/466351-038	Overnight
74M39/466351-039	Icecap
74M40/466351-040	Metamorphic
74M41/466351-041	Anthracite

Keen - Maharam	
Ancillary/Seating	
54" wide	
61% polyester	
39% polyolefin	
PFOA-Free stain resistant	
Acrylic backing	
89N01/466433-001	Gaur
89N02/466433-002	Lock
89N03/466433-003	Elk
89N04/466433-004	Oatmeal
89N05/466433-005	Lakefront
89N06/466433-006	Argent
89N07/466433-007	Coyote
89N08/466433-008	Eventide
89N09/466433-009	Canal
89N10/466433-010	Rosemary
89N11/466433-011	Herb
89N12/466433-012	Ruby
89N13/466433-013	Loganberry

Ledger - Maharam	
Ancillary/Seating	
54" wide	
100% polyurethane	
V9G1/463770-001	001
V9G2/463770-002	002
V9G3/463770-003	003
V9G4/463770-004	004
V9GG/463770-017	017
V9GQ/463770-025	025
V9GS/463770-026	026
V9GU/463770-028	028
V9GV/463770-029	029
V9GW/463770-030	030
V9GX/463770-031	031
V9GY/463770-032	032
V9G18/463770-042	042
V9G19/463770-043	043
V9G20/463770-044	044
V9G21/463770-045	045
V9G22/463770-046	046

Price category F continued on next page

- Maharam textiles are on assigned lead times [A](#).
- Fabric numbers are listed as Herman Miller fabric number/Maharam fabric number.

Textile Colors

continued

Price Category F

continued

Loop - Maharam	
Ancillary/Seating	
57" wide	
48% post-industrial recycled polyester	
26% polyester	
26% post-consumer recycled polyester	
PFOA-Free stain resistant	
Acrylic Backing	
ZLL01/466469-001	Opossum
ZLL02/466469-002	Foundation
ZLL03/466469-003	Naval
ZLL04/466469-004	Buoyant
ZLL05/466469-005	Mockingbird
ZLL06/466469-006	Dynasty
ZLL07/466469-007	Zori
ZLL08/466469-008	Wildfire
ZLL09/466469-009	Floral
ZLL10/466469-010	Penguin

Multiply - Maharam	
Ancillary/Seating	
58" wide	
57% post-consumer recycled polyester	
43% post-industrial recycled polyester	
PFOA-Free stain resistant	
Acrylic Backing	
82A01/466341-001	Winter
82A02/466341-002	Encore
82A03/466341-003	Swing
82A04/466341-004	Contrast
82A05/466341-005	Sterling
82A06/466341-006	Daze
82A07/466341-007	Sway
82A08/466341-008	Sailor
82A09/466341-009	Mystique
82A10/466341-010	Deep
82A11/466341-011	Craft
82A12/466341-012	Town
82A13/466341-013	Limit
82A14/466341-014	Tamale

Pitch - Maharam	
Ancillary	
54" wide	
100% vinyl	
ZPC04/466186-004	Pollen
ZPC07/466186-007	Apple
ZPC11/466186-011	Voyage
ZPC12/466186-012	Turquoise
ZPC14/466186-014	Inlet
ZPC15/466186-015	Captain
ZPC16/466186-016	Aura
ZPC17/466186-017	Coastal
ZPC18/466186-018	Fog
ZPC19/466186-019	Coal
ZPC21/466186-021	Mulberry
ZPC24/466186-024	Flame
ZPC26/466186-026	Tumbleweed
ZPC29/466186-029	Subtle
ZPC30/466186-030	Buff

Pepper - Maharam	
Ancillary/Seating	
58" wide	
49% polyester	
41% post-industrial recycled polyester	
10% post-consumer recycled polyester	
PFOA-Free stain resistant	
Acrylic Backing	
8LW01/466486-001	Dojo
8LW02/466486-002	Marengo
8LW03/466486-003	Harlequin
8LW04/466486-004	Pavlova
8LW06/466486-006	Achiote
8LW07/466486-007	Essence
8LW08/466486-008	Genome
8LW09/466486-009	Myriad
8LW10/466486-010	Terrarium

Scuba - Maharam	
Ancillary	
54" wide	
100% polyurethane	
V9B1/464930-001	Vanilla
V9B5/464930-005	Chinchilla
V9B6/464930-006	Mahogany
V9B7/464930-007	Jet
V9B8/464930-008	Charcoal
V9B9/464930-009	Dolphin
V9BA/464930-010	Drizzle
V9BC/464930-012	Conifer
V9BD/464930-013	Bottle
V9BF/464930-015	Tourmaline
V9BG/464930-016	Sapphire
V9BH/464930-017	Electric
V9BL/464930-020	Cabernet
V9BM/464930-021	Brick
V9BN/464930-022	Coral
V9BP/464930-023	Autumn

Strum - Maharam	
Ancillary/Seating	
54" wide	
100% polyurethane with silane-based antimicrobial	
Z3301/466122-001	Overcast
Z3302/466122-002	Ridge
Z3304/466122-004	Pigeon
Z3307/466122-007	Bur
Z3308/466122-008	Abalone
Z3312/466122-012	Lemongrass

Price Category G

Compound - Maharam	
Ancillary/Seating	
54" wide	
100% polyurethane with silane-based antimicrobial	
ZC201/466196-001	Quartz
ZC203/466196-003	Weathered
ZC204/466196-004	Cliff
ZC205/466196-005	Espresso
ZC206/466196-006	Smolder
ZC207/466196-007	Blaze
ZC208/466196-008	Mandarin
ZC209/466196-009	Maple
ZC210/466196-010	Perennial
ZC211/466196-011	Mountainside
ZC212/466196-012	Tundra
ZC213/466196-013	Manatee
ZC214/466196-014	Marine
ZC215/466196-015	Twilight
ZC216/466196-016	Shelter
ZC217/466196-017	Vessel
ZC218/466196-018	Smoke
ZC219/466196-019	Fog

Fluent Crypton - Maharam	
Ancillary	
54" wide	
52% polyester	
31% post-industrial recycled polyester	
17% post-consumer recycled polyester	
ZFC01/466073-001	Lynx
ZFC12/466073-012	Bayou
ZFC13/466073-013	Bottle
ZFC14/466073-014	Cadet
ZFC22/466073-022	Turf
ZFC24/466073-024	Steady

Price category G continued on next page

Appendix: Textile Colors

- Maharam textiles are on assigned lead times [A](#).
- Fabric numbers are listed as Herman Miller fabric number/Maharam fabric number.

Textile Colors

continued

Appendix: Textile Colors

Price Category G

continued

Fold - Maharam	
Seating	
54" wide	
100% polyurethane	
Polyester backing	
ZF101/466292-001	Jet
ZF102/466292-002	Chalk
ZF103/466292-003	Smoke
ZF105/466292-005	Fatigue
ZF106/466292-006	Splash
ZF107/466292-007	Apple
ZF108/466292-008	Moss
ZF110/466292-010	Midnight

Gild - Maharam	
Ancillary/Seating	
54" wide	
100% non-phthalate vinyl	
Ink-resistant protective top coat	
Polyester backing	
8AR01/466432-005	Grapevine
8AR02/466432-009	Frosting
8AR03/466432-007	Smokey
8AR04/466432-003	Skylight
8AR05/466432-011	Sandstone
8AR06/466432-004	Hurricane
8AR07/466432-002	Wreath
8AR08/466432-001	Rainforest
8AR09/466432-012	Fudge
8AR10/466432-010	Lantern
8AR11/466432-006	Planet
8AR12/466432-008	Reflection

Pare - Maharam	
Ancillary/Seating	
54" wide	
52% wool	
26% polyester	
22% nylon	
PFOA-free stain resistant finish	
ZPR01/466359-001	Polaris
ZPR04/466359-004	Fresco
ZPR06/466359-006	Wink
ZPR07/466359-007	Concord
ZPR08/466359-008	Strawberry
ZPR09/466359-009	Solar
ZPR10/466359-010	Amulet
ZPR11/466359-011	Zest
ZPR12/466359-012	Elmwood
ZPR13/466359-013	Thyme
ZPR17/466359-017	Blueberry

Runner - Maharam	
Ancillary/Seating	
54" wide	
57% post-industrial recycled polyester	
43% post-consumer recycled polyester	
ZRF01/466108-001	Bluff
ZRF03/466108-003	Grove
ZRF04/466108-004	Starboard
ZRF05/466108-005	Plot
ZRF06/466108-006	Carousel

Sudden - Maharam	
Ancillary	
54" wide	
100% polyurethane	
ZSD02/463000-002	002
ZSD03/463000-003	003
ZSD05/463000-005	005
ZSD06/463000-006	006
ZSD07/463000-007	007
ZSD08/463000-008	008
ZSD09/463000-009	009
ZSD10/463000-010	010
ZSD11/463000-011	011
ZSD13/463000-013	013
ZSD15/463000-015	015
ZSD16/463000-016	016
ZSD17/463000-017	017
ZSD18/463000-018	018
ZSD19/463000-019	019
ZSD20/463000-020	020
ZSD24/463000-024	024
ZSD27/463000-027	027
ZSD36/463000-036	036

Price Category H

Anagram - Maharam	
Ancillary	
54" wide	
42% cotton	
32% polyester	
26% nylon	
ZAN01/466067-001	Quarry
ZAN02/466067-002	Hush
ZAN03/466067-003	Electric
ZAN04/466067-004	Range
ZAN05/466067-005	Settle

Circles - Maharam	
Ancillary/Seating	
55" wide	
70% cotton	
30% polyester	
ZT01/458310-001	Khaki
ZT02/458310-002	Fatigue
ZT03/458310-003	Document
ZT04/458310-004	Engine

Dot Pattern - Maharam	
Ancillary/Seating	
55" wide	
71% cotton	
29% polyester	
ZK01/458300-001	Document
ZK02/458300-002	Taupe
ZK04/458300-004	Red
ZK05/458300-005	Navy

Mechanism - Maharam	
Ancillary	
54" wide	
100% polyester	
ZMC01/465952-001	Mercury
ZMC10/465952-010	Pearl
ZMC11/465952-011	Bronze
ZMC13/465952-013	Titanium
ZMC15/465952-015	Tangerine
ZMC17/465952-017	Sprout

Price category H continued on next page

- Maharam textiles are on assigned lead times [A](#).
- Fabric numbers are listed as Herman Miller fabric number/Maharam fabric number.

Textile Colors

continued

Price Category H

continued

Mister – Maharam	
Ancillary	
54" wide	
67% solution-dyed acrylic	
33% solution-dyed polyester	
ZMG01/466178-001 Breeze	
ZMG04/466178-004 Enliven	
ZMG05/466178-005 Notice	
ZMG06/466178-006 Azurite	

Regatta – Maharam	
Ancillary	
54" wide	
65% solution-dyed acrylic	
35% solution-dyed polyester	
ZRT01/466189-001 Drift	
ZRT02/466189-002 Parasol	
ZRT04/466189-004 Swell	

Small Dot Pattern – Maharam	
Ancillary/Seating	
55" wide	
71% cotton	
29% polyester	
ZL01/458320-001 Document	
ZL02/458320-002 Sand	
ZL03/458320-003 Khaki	
ZL04/458320-004 Taupe	
ZL05/458320-005 Charcoal	
ZL06/458320-006 Document	
Reverse	
ZL07/458320-007 Red	
ZL08/458320-008 Yellow	
ZL09/458320-009 Green	

Price Category I

Colorwheel – Maharam	
Ancillary	
54" wide	
62% cotton	
38% solution-dyed	
post-industrial recycled nylon	
ZCW02/466163-002 Pumice	
ZCW03/466163-003 Viridian	
ZCW06/466163-006 Charcoal	
ZCW07/466163-007 Carbon	

Cursive – Maharam	
Ancillary/Seating	
54" wide	
67% solution-dyed acrylic	
33% solution-dyed polyester	
PFOA-Free stain resistant	
7CW01/466335-001 Fast	
7CW03/466335-003 Beachcomb	
7CW05/466335-005 Swift	
7CW07/466335-007 Inkwell	
7CW08/466335-008 Rubber	

Passage - Maharam	
Ancillary	
54" wide	
100% polyester	
59P01/466614-001 Mirage	
59P02/466614-002 Poolside	
59P03/466614-003 Cascade	
59P04/466614-004 Lacinato	
59P05/466614-005 Overstory	
59P06/466614-006 Celadon	
59P07/466614-007 Echo	
59P08/466614-008 Bentonite	
59P09/466614-009 Buttercup	
59P10/466614-010 Maple	
59P11/466614-011 Blossom	
59P12/466614-012 Cloudberry	
59P13/466614-013 Contessa	
59P14/466614-014 Claret	
59P15/466614-015 Katana	

Study - Maharam	
Ancillary/Seating	
54" wide	
73% solution-dyed acrylic	
27% solution-dyed polyester	
ZSY01/466269-001 001	
ZSY02/466269-002 002	
ZSY03/466269-003 003	
ZSY04/466269-004 004	
ZSY05/466269-005 005	

Tracery – Maharam	
Ancillary	
52" wide	
34% solution-dyed nylon	
26% wool	
21% polyester	
19% cotton	
acrylic backing	
PFOA-free stain resistant finish	
ZT501/466372-001 Birch	
ZT502/466372-002 Sterling	
ZT503/466372-003 Flint	
ZT504/466372-004 Indigo	
ZT505/466372-005 Arctic	
ZT506/466372-006 Kelp	
ZT507/466372-007 Melon	
ZT508/466372-008 Poppy	
ZT509/466372-009 Copper	
ZT510/466372-010 Papaya	
ZT511/466372-011 Sepia	

Price Category J

Fluted Silk – Maharam	
Ancillary	
54" wide	
85% silk	
8% cotton	
7% acrylic	
ZFK02/465982-002 Tarnish	
ZFK05/465982-005 Calm	
ZFK06/465982-006 Flaxen	
ZFK10/465982-010 Noticed	
ZFK11/465982-011 Moody	
ZFK12/465982-012 Constant	
ZFK13/465982-013 Seed	
ZFK14/465982-014 Eternal	
ZFK15/465982-015 Honor	
ZFK17/465982-017 Cranach	
ZFK20/465982-020 Discreet	

Mikado – Maharam	
Ancillary	
54" wide	
79% cotton	
21% polyester	
V1901/459330-001 Umber	
V1902/459330-002 Orange	
V1903/459330-003 Ultramarine	
V1904/459330-004 Pink	
V1905/459330-005 Sepia	

Price category J continued on next page

- Maharam textiles are on assigned lead times [A](#).
- Fabric numbers are listed as Herman Miller fabric number/Maharam fabric number.

Textile Colors

continued

Appendix: Textile Colors

Price Category J

continued

Trestle - Maharam	
Ancillary	
54" wide	
36% acrylic	
32% wool	
23% cotton	
9% polyester	
3WG01/466613-001	Loam
3WG02/466613-002	Rift
3WG03/466613-003	Fuse
3WG04/466613-004	Cumulus
3WG05/466613-005	Strand
3WG06/466613-006	Pomelo
3WG07/466613-007	Tawny
3WG08/466613-008	Sunstone
3WG09/466613-009	Kindling
3WG10/466613-010	Sidecar
3WG11/466613-011	Beak
3WG12/466613-012	Ficus
3WG13/466613-013	Hinge
3WG14/466613-014	Bluefish
3WG15/466613-015	Oblivion

Price Category K

Checker – Maharam	
Ancillary	
55" wide	
77% cotton	
23% polyester	
V1201/459830-001	Emerald Light/ Ivory
V1204/459830-004	Ultramarine/ Emerald
V1206/459830-007	Sienna Dark/ Khaki
V1207/459830-008	Black/White
V1209/459830-009	Ultramarine/ Turquoise
V1210/459830-010	Blue Gray/ Emerald
V1211/459830-011	Olive/Pink
V1212/459830-012	Magenta/ Orange
V1213/459830-013	Crimson/ Orange

Checker Split – Maharam	
Ancillary	
55" wide	
77% cotton	
23% polyester	
V1301/460290-01	Black/White

Double Triangles – Maharam	
Ancillary	
55" wide	
77% cotton	
23% polyester	
V1401/459840-001	Black/White

Facets – Maharam	
Ancillary	
55" wide	
77% cotton	
23% polyester	
V1501/459850-001	Black/White

Isa – Maharam	
Ancillary	
59" wide	
85% wool	
15% nylon	
VKZ01/466624-001	Bashful
VKZ02/466624-002	Median
VKZ03/466624-003	Observe
VKZ04/466624-004	Plains
VKZ05/466624-005	Drawn
VKZ06/466624-006	Connect
VKZ07/466624-007	Fennel
VKZ08/466624-008	Skyward
VKZ09/466624-009	Oceanic
VKZ10/466624-010	Neptune
VKZ11/466624-011	Sprint
VKZ12/466624-012	Ledge
VKZ13/466624-013	Surround
VKZ14/466624-014	Foretell
VKZ15/466624-015	Lory
VKZ16/466624-016	Dear
VKZ17/466624-017	Foxtrot
VKZ18/466624-018	Sincere
VKZ19/466624-019	Begonia

Optik – Maharam	
Ancillary	
55" wide	
76% cotton	
24% polyester	
ZQP01/459960-001	Sun Yellow/ Orange
ZQP06/459960-006	White/Black

Unisol – Maharam	
Ancillary	
55" wide	
61% rayon	
21% polyester	
18% cotton	
ZUN01/461160-001	Black/ White

Price Category L

Exaggerated Plaid – Maharam	
Ancillary	
59" wide	
100% wool	
ZEP01/466039-001	Glen
ZEP02/466039-002	Brae
ZEP03/466039-003	Firth

Geometri – Maharam	
Ancillary	
55" wide	
77% cotton	
23% polyester	
ZGM02/459970-002	Red/ Carmine
ZGM03/459970-003	Lilac/Blue
ZGM04/459970-004	White/ Black

Jacobs Coat – Maharam	
Ancillary	
54" wide	
92% wool	
8% nylon	
V1601/462270-001	Multicolored Bright *
V1602/462270-002	Multicolored Neutral

* Color available on Girard Color Wheel Ottoman.

Millerstripe – Maharam	
Ancillary	
54" wide	
92% wool	
8% rayon	
V1701/462250-001	Multicolored Bright
V1702/462250-002	Multicolored Neutral

Price category L continued on next page

- Maharam textiles are on assigned lead times **A**.
- Fabric numbers are listed as Herman Miller fabric number/Maharam fabric number.

Textile Colors

continued

Price Category L

continued

Minicheck - Maharam
Seating
55" wide
78% cotton
22% polyester
PFOA-Free stain resistant finish
ZMK01/466268-001 Black/ White

Monk's Wool – Maharam
Ancillary
54" wide
96% wool
4% nylon
ZMW01/457301-001 Tusk
ZMW03/457301-003 Slate
ZMW05/457301-005 Cherokee

Pebble Wool – Maharam
Ancillary
54" wide
90% wool
10% nylon
ZPW01/457401-001 Birch
ZPW10/457401-010 Cottage
ZPW13/457401-013 Eggshell
ZPW14/457401-014 Whisper
ZPW15/457401-015 Ceramic
ZPW16/457401-016 Seamist
ZPW17/457401-017 Armory
ZPW18/457401-018 Glaze
ZPW19/457401-019 Cordial

Pebble Wool Multi – Maharam
Ancillary
54" wide
97% wool
3% nylon
ZPM01/461200-001 Fawn
ZPM02/461200-002 Slate
ZPM05/461200-005 Moss
ZPM06/461200-006 Tabasco

Quatrefoil – Maharam
Ancillary
54" wide
75% cotton
25% nylon
V2101/459350-001 Silver
V2102/459350-002 Pink
V2103/459350-003 Crimson
V2104/459350-004 Emerald
V2105/459350-005 Violet

Repeat Classic Stripe – Maharam
Ancillary
55" wide
47% cotton
27% rayon
26% polyester
ZRS01/462170-001 Inca
ZRS02/462170-002 Pistachio
ZRS03/462170-003 Poppy
ZRS04/462170-004 Cadet
ZRS05/462170-005 Peacock

Repeat Dot Ring – Maharam
Ancillary
55" wide
75% cotton
25% polyester
ZRR01/462150-001 Gold
ZRR04/462150-004 Pink
ZRR05/462150-005 Coral
ZRR07/462150-007 Gold
Reverse
ZRR10/462150-010 Pink
Reverse
ZRR11/462150-011 Coral
Reverse

Stripes - Maharam
Ancillary
56" wide
92% wool
8% nylon
ZSP01/463980-001 001
ZSP02/463980-002 002
ZSP03/463980-003 003
ZSP04/463980-004 004
ZSP05/463980-005 005
ZSP06/463980-006 006
ZSP07/463980-007 007
ZSP08/463980-008 008
ZSP09/463980-009 009
ZSP10/463980-010 010

Toostripe – Maharam
Ancillary
54" wide
92% wool
8% nylon
V2201/462260-001 Orange Dark/ Crimson Dark
V2202/462260-002 Black/ Raw Umber
V2203/462260-003 Ochre Dark/ Sienna

Price Category M

Fruit - Maharam
Seating
54" wide
55% cotton
32% nylon
13% post-consumer recycled polyester
PFOA-Free stain resistant finish
Acrylic backing
ZF201/466262-001 Opal
ZF202/466262-002 Lime
ZF203/466262-003 Olive
ZF204/466262-004 Sky
ZF207/466262-007 Russet

Names – Maharam
Ancillary
55" wide
73% cotton
27% polyester
V1801/462510-001 Crimson On White
V1802/462510-002 Ultramarine On White
V1803/462510-003 Black On White

Price category M continued on next page

Appendix: Textile Colors

- Maharam textiles are on assigned lead times A.
- Fabric numbers are listed as Herman Miller fabric number/Maharam fabric number.

Textile Colors

continued

Appendix: Textile Colors

Price Category M

continued

Ottoman Stripe – Maharam	
Ancillary	
58" wide	
92% wool	
8% nylon	
ZQN01/466142-001	Brass
ZQN02/466142-002	Cocoa
ZQN03/466142-003	Dusk
ZQN04/466142-004	Pistachio
ZQN05/466142-005	Apricot

Pressed Plaid – Maharam	
Ancillary	
54" wide	
100% wool	
T1101/466181-001	001
T1102/466181-002	002
T1103/466181-003	003
T1104/466181-004	004
T1105/466181-005	005
T1106/466181-006	006

Wool Striae – Maharam	
Ancillary	
54" wide	
100% wool	
T1201/466184-001	001
T1202/466184-002	002
T1203/466184-003	003
T1204/466184-004	004
T1205/466184-005	005
T1206/466184-006	006
T1207/466184-007	007

Price Category N

Alpaca Epinglé - Maharam	
Ancillary	
55" wide	
100% alpaca	
ZAE01/465902-001	Vellum
ZAE02/465902-002	Slate
ZAE06/465902-006	Graphite
ZAE07/465902-007	Beignet

Alpaca Velvet - Maharam	
Ancillary	
54" wide	
100% alpaca	
ZAV01/465901-001	Alpine
ZAV06/465901-006	Charcoal
ZAV07/465901-007	Pewter
ZAV08/465901-008	Squash
ZAV09/465901-009	Wallaby
ZAV10/465901-010	Brunia

Bespoke Stripe - Maharam	
Ancillary	
56" wide	
100% wool	
ZBP01/463540-001	Navy
ZBP02/463540-002	Tobacco
ZBP03/463540-003	Chocolate
ZBP04/463540-004	Charcoal
ZBP05/463540-005	Black
ZBP06/463540-006	Pewter

Herringbone Stripe - Maharam	
Ancillary	
57" wide	
100% wool	
ZKP01/465945-001	Granite
ZKP02/465945-002	Espresso
ZKP03/465945-003	Graphite
ZKP04/465945-004	Indigo
ZKP05/465945-005	Raven

Price Category O

Point – Maharam	
Ancillary	
53" wide	
97% rayon	
3% nylon	
ZPT01/466090-001	Ivory and Ember
ZPT02/466090-002	Black and Coral
ZPT03/466090-003	Slate and Khaki
ZPT04/466090-004	Black and Cobalt
ZPT05/466090-005	Black and Khaki
ZPT06/466090-006	Slate and Mandarin
ZPT07/466090-007	Slate and Black
ZPT08/466090-008	Brick and Greige
ZPT09/466090-009	Gold and Black
ZPT10/466090-010	Greige and Peat
ZPT11/466090-011	Peat and Mandarin
ZPT12/466090-012	Crimson
ZPT13/466090-013	Mandarin
ZPT14/466090-014	Citrus
ZPT15/466090-015	Grass
ZPT16/466090-016	Cyan
ZPT17/466090-017	Cobalt

Wool Velvet - Maharam	
Ancillary	
54" wide	
100% wool	
ZWV01/466120-001	Plush
ZWV02/466120-002	Subdue
ZWV03/466120-003	Flagstone
ZWV04/466120-004	Nori
ZWV06/466120-006	Bridle
ZWV07/466120-007	Covert
ZWV08/466120-008	Gateway

Price Category O

Bavaria Stripe – Maharam	
Ancillary	
55" wide	
77% polyester	
23% cotton	
ZBS02/466161-002	Unique

- Maharam textiles are on assigned lead times. ^A
- Fabric numbers are listed as Herman Miller fabric number/Maharam fabric number.

Textile Colors

continued

Price Category P

Big Stripe – Maharam	
Ancillary	
55" wide	
92% wool	
8% nylon	
ZBR01/466174-001	Peacock
ZBR02/466174-002	Spring
ZBR03/466174-003	Umber
ZBR04/466174-004	Poppy
ZBR05/466174-005	Cobalt

Epinglé Stripe - Maharam	
Ancillary	
50" wide	
100% cotton	
ZES01/466007-001	Caramel
ZES02/466007-002	Lead
ZES03/466007-003	Violet
ZES04/466007-004	Mahogany
ZES05/466007-005	Olive

Layers Garden – Maharam	
Ancillary	
52" wide	
96% wool	
3% nylon	
1% polyester	
ZLY01/465916-001	Ivy/Bronze
ZLY02/465916-002	Putty/ Turquoise
ZLY03/465916-003	Pewter/ White
ZLY04/465916-004	Chocolate/ Lilac
ZLY05/465916-005	Peat/Copper

Layers Park – Maharam	
Ancillary	
52" wide	
95% wool	
3% nylon	
2% polyester	
ZLP01/465918-001	Ash/Snow
ZLP02/465918-002	Mineral/Sky
ZLP03/465918-003	Poppy/ Melon
ZLP04/465918-004	Indigo/ White
ZLP05/465918-005	Earth/Cobalt

Layers Vineyard Large – Maharam	
Ancillary	
52" wide	
95% wool	
3% nylon	
2% polyester	
ZLV01/465921-001	Ivory/Onyx
ZLV02/465921-002	Slate/Azure
ZLV03/465921-003	Loden/Sky
ZLV04/465921-004	Taupe/ Crimson
ZLV05/465921-005	Black/ Mahogany

Layers Vineyard Small – Maharam	
Ancillary	
52" wide	
92% wool	
5% polyester	
3% nylon	
ZLS01/465920-001	Ochre/White
ZLS02/465920-002	Scarlet/ Peony
ZLS03/465920-003	Taupe/Violet
ZLS04/465920-004	Jade/ Turquoise
ZLS05/465920-005	Ginger/Rose

Mohair Supreme - Maharam	
Ancillary	
54" wide	
100% mohair	
ZMS02/451801-072	Stonehenge
ZMS06/451801-112	Slate *
ZMS07/451801-113	Rich Chocolate *
ZMS09/451801-126	Cayenne
ZMS10/451801-127	Cognac
ZMS12/451801-129	Peat *
ZMS15/451801-133	Abyss
ZMS16/451801-134	Intrigue
ZMS18/451801-136	Lupine *
ZMS28/451801-146	League
ZMS29/451801-147	Armory *
ZMS32/451801-150	Capiz
ZMS33/451801-151	Underneath
ZMS34/451801-152	Crescent
ZMS35/451801-153	National
ZMS36/451801-154	Rooftop
ZMS37/451801-155	Skewer
ZMS38/451801-156	Party
ZMS39/451801-157	Keepsake
ZMS40/451801-158	Travel
ZMS41/451801-159	Estate
ZMS42/451801-160	Grassland
ZMS43/451801-161	Limoncello
ZMS44/451801-162	Mango
ZMS45/451801-163	Doll
ZMS46/451801-164	Carousel
ZMS47/451801-165	Palette
ZMS48/451801-166	Brandy
ZMS49/451801-167	Aristocrat
ZMS50/451801-168	Soulmate
ZMS51/451801-169	Rosette
ZMS52/451801-170	Aviator
ZMS53/451801-171	Penny

* Colors available on Eames Lounge Chair and Ottoman.

Price Category Q

A Band Apart – Maharam	
Ancillary	
56" wide	
75% polyester	
25% cotton	
ZAB01/466000-001	Unique

Brushed Camel – Maharam	
Ancillary	
58" wide	
100% baby camel hair	
ZBA01/465977-001	Albino
ZBA02/465977-002	Natural

Deconstructed Rose – Maharam	
Ancillary	
55" wide	
65% polyester	
32% cotton	
3% rayon	
ZDS01/466086-001	Golden
ZDS02/466086-002	Vivid
ZDS03/466086-003	Earthen

Massive Paisley – Maharam	
Ancillary	
57" wide	
76% polyester	
24% cotton	
ZMV01/465915-001	Ash
ZMV03/465915-003	Cardinal
ZMV06/465915-006	Night

The Firm – Maharam	
Ancillary	
56" wide	
75% polyester	
25% cotton	
ZTF03/465999-003	Unique

- Maharam textiles are on assigned lead times. ^A
- Fabric numbers are listed as Herman Miller fabric number/Maharam fabric number.

Textile Colors

continued

Appendix: Textile Colors

Price Category R

Borders – Maharam	
Ancillary	
53" wide	
98% wool	
2% polyester	
ZBB01/466082-001 Natural	
ZBB02/466082-002 Greige	
ZBB03/466082-003 Charcoal	
ZBB04/466082-004 Walnut	

Stow Leather - Maharam	
Ancillary	
approx. 50 sq. ft. per hide	
100% leather	
protective top coat	
ZSV01/700014-001 Opera	
ZSV02/700014-002 Japonica	
ZSV03/700014-003 Masquerade	
ZSV04/700014-004 Laguna	
ZSV05/700014-005 Jettison	
ZSV06/700014-006 Razor	
ZSV07/700014-007 Holiday	
ZSV08/700014-008 Patchouli	
ZSV09/700014-009 Macrame	
ZSV10/700014-010 Grace	
ZSV11/700014-011 Seraphim	
ZSV12/700014-012 Ricotta	
ZSV13/700014-013 Neroli	
ZSV14/700014-014 Sultana	
ZSV15/700014-015 Sundance	
ZSV16/700014-016 Quince	
ZSV17/700014-017 Babka	
ZSV18/700014-018 Maitake	
ZSV19/700014-019 Mercer	
ZSV20/700014-020 Gaucho	
ZSV21/700014-021 Chia	
ZSV22/700014-022 Vanguard	
ZSV23/700014-023 Zone	
ZSV24/700014-024 Zeppelin	

Stow Leather <i>continued</i>	
ZSV25/700014-025 Clandestine	
ZSV26/700014-026 Raven	
ZSV27/700014-027 Cabana	
ZSV28/700014-028 Rime	
ZSV29/700014-029 Forsythia	
ZSV30/700014-030 Panthera	
ZSV31/700014-031 Dune	
ZSV32/700014-032 Madera	
ZSV33/700014-033 Russet	
ZSV34/700014-034 Gala	
ZSV35/700014-035 Heron	

Price Category S

Bavaria – Maharam	
Ancillary	
55" wide	
73% polyester	
27% cotton	
ZBV01/466162-001 Unique	

Price Category T

All Grain Leather – Edelman	
Ancillary	
approx. 50 sq. ft. per hide	
100% full-grain Aniline-dye cowhide	
VB01/AG01	Pitch Brown
VB02/AG02	White
VB03/AG03	Cloud
VB04/AG04	Shadow
VB05/AG05	Black
VB06/AG06	Baked Bean
VB07/AG07	Mildew
VB08/AG08	Soot
VB09/AG09	Blue Jeans
VB10/AG10	Merlot
VB11/AG11	Nutmeg
VB12/AG12	Butter
VB13/AG13	Cherry
VB14/AG14	Burnt Orange
VB15/AG15	Whiskey
VB17/AG17	Raw Silk
VB18/AG18	Balsa
VB19/AG19	Naturale
VB21/AG21	Greige
VB22/AG27	Latte
VB23/AG28	Coral
VB24/AG29	Rose
VB25/AG30	Zinnia
VB26/AG31	Iris
VB27/AG32	Daffodil

Hours – Maharam	
Ancillary	
56" wide	
95% wool	
3% nylon	
2% rayon	
ZKR01/466092-001	Day
ZKR02/466092-002	Night

- Maharam textiles are on assigned lead times. ^A
- Fabric numbers are listed as Herman Miller fabric number/Maharam fabric number.

Textile Colors

continued

Price Category U	Price Category V-W	Price Category X	Price Category Y
<p>Layers Garden Double – Maharam</p> <p>Ancillary 52” wide 96% wool 3% nylon 1% polyester</p> <p>ZLD01/465917-001 Ash/ Quartz/ Grass</p> <p>ZLD02/465917-002 Earth/ Chocolate/ Coral</p> <p>ZLD03/465917-003 Black/ Navy/ Cobalt</p>	<p>No fabrics available at this time.</p>	<p>Eden – Maharam</p> <p>Ancillary 56” wide 83% polyester 17% cotton</p> <p>ZED01/466258-001 001</p> <p>ZED02/466258-002 002</p> <p>ZED03/466258-003 003</p> <p>ZED04/466258-004 004</p> <p>ZED05/466258-005 005</p>	<p>Industry – Maharam</p> <p>Ancillary 55” wide 80% polyester 20% cotton</p> <p>ZND01/466255-001 001</p>
<p>Layers Park Double – Maharam</p> <p>Ancillary 52” wide 96% wool 3% nylon 1% polyester</p> <p>ZLB01/465919-001 Mineral/ Taupe/ Lemon</p> <p>ZLB02/465919-002 Sienna/ Ginger/ Rose</p> <p>ZLB03/465919-003 Black/ Peat/ Copper</p>		<p>Foliage – Maharam</p> <p>Ancillary 56” wide 75% polyester 25% cotton</p> <p>ZFG02/466257-002 002</p> <p>ZFG04/466257-004 004</p> <p>ZFG05/466257-005 005</p>	

Appendix: Textile Colors

- Maharam textiles are on assigned lead times. A
- Fabric numbers are listed as Herman Miller fabric number/Maharam fabric number.

Textile Colors

continued

Price Category Z

Agency – Maharam	
Ancillary	
55" wide	
75% polyester	
25% cotton	
ZAG02/466001-002	002
ZAG04/466001-004	004
ZAG05/466001-005	005
ZAG06/466001-006	006
ZAG07/466001-007	007
ZAG08/466001-008	008

Price Category 10M

Pace Leather – Maharam	
Ancillary	
approx. 50 sq. ft. per hide	
100% leather	
ZPA01/700011-001	Whisper
ZPA02/700011-002	Shy
ZPA03/700011-003	Granite
ZPA04/700011-004	Misty
ZPA05/700011-005	Studio
ZPA06/700011-006	Throne
ZPA07/700011-007	Proper
ZPA08/700011-008	Huron
ZPA09/700011-009	Darkroom
ZPA10/700011-010	Bark
ZPA11/700011-011	Raspberry
ZPA12/700011-012	Sangria
ZPA13/700011-013	Admiral
ZPA14/700011-014	Juniper
ZPA15/700011-015	Regal
ZPA16/700011-016	Vapor
ZPA17/700011-017	Valley
ZPA18/700011-018	Bushel
ZPA19/700011-019	Heirloom
ZPA20/700011-020	Palomino
ZPA21/700011-021	Bamboo
ZPA22/700011-022	Saffron
ZPA23/700011-023	Tearose
ZPA24/700011-024	Canyon
ZPA25/700011-025	Bistro
ZPA26/700011-026	Toffee
ZPA27/700011-027	Rodeo
ZPA28/700011-028	Mudslide
ZPA29/700011-029	Greige
ZPA30/700011-030	Reflection
ZPA31/700011-031	Pure
ZPA32/700011-032	Desert
ZPA33/700011-033	Griffin
ZPA34/700011-034	Urbane
ZPA35/700011-035	Woodrose

Appendix: Textile Colors

- Maharam textiles are on assigned lead times. ^A
- Fabric numbers are listed as Herman Miller fabric number/Maharam fabric number.

For more information about our products and services or to see a list of dealers, please visit us at HermanMiller.com or call (800) 851 1196.

© 2025 Herman Miller, Inc., Zeeland, Michigan

Distribution Rights

Working together since 1956, Herman Miller and Vitra are the authentic sources of designs by Charles and Ray Eames, Alexander Girard, and George Nelson. All the designs shown in this book are protected by law. Herman Miller has obtained all rights to make and sell these designs. Also, Herman Miller holds exclusive worldwide manufacturing and distribution rights for these products with the following exceptions:

Charles and Ray Eames, George Nelson, and Alexander Girard—Worldwide distribution rights for furniture in all areas except Europe and the Middle East. For those areas, please contact Vitra.

Isamu Noguchi—Worldwide distribution rights for the Noguchi Rudder Table. Distribution rights for the Noguchi Table in North America and Central America only. For all other areas, please contact Vitra.

Magis—Exclusive distribution rights in the US and Canada. For all other areas, please contact Magis.

® HermanMiller, 3D Intelligent, 8Z Pellicle, AO, Action Office, Aeron, Aside, Bubble Lamps, Canvas Office Landscape, Caper, Celle, Cosm, Co/Struc, Daisyone, Distil, Eames, Eco-Dematerialized, Embody, Envelop, Ethospace, Exclave, Fine-Tune, FlexFront, Flo, Formcoat, Formwork, Ground Cloth, Intent, Kinemat, Layout Studio, Lino, Live Unframed, Living Office, Maharam, Meridian, Mirra, Motia, Nelson, Pari, Pellicle, Perspectives, Plex, PostureFit, PostureFit SL, Public Office Landscape, Sayl, Setu, Striad, Tu, Ubi, Verus, Wishbone, Y-Tower and Zeph are among the registered trademarks of Herman Miller, Inc., and its owned subsidiaries.

™ About Face, AireWeave, Airia, Ambit, Asari Chair by HermanMiller, Backfit, Bubbletack, Burdick Group, Butterfly Back, Canvas Vista, Cellular Suspension, Commend, Compass, Connect, DOT, Duracare, Durawrap, EnhancedAccess, Everywhere, Flex-Edge, Flute, Harmonic, Headway, Herman Miller Select, Hopsak 2, Iota, Keyless Entry, Latitude, Logic Mini, Logic Power Access Solutions, Lyris, Lyris 2, Made-to-Measure Storage, Mora, Multiscrim, Nevi, OE1, OE1 Workspace Collection, Overlay, Pixelated Support, Pronta, Renew, Sense, Soft Pad, Stackable, Stackable Storage, Swoop, Thrive, Tone, TriFlex, Twist and Wireframe are among the trademarks of Herman Miller, Inc., and its owned subsidiaries.

SM Herman Miller Options is among the service marks of Herman Miller, Inc.

AAP™ is a trademark of Extron Electronics.

Alexander Girard® is a registered trademark of The Alexander Girard Estate.

Chemsur® is a registered trademark of Wilsonart International.

Corian® is a registered trademark of E. I. du Pont de Nemours and Company Corporation.

Crypton® is a registered trademark of Crypton, Inc.

DACRON® is a registered trademark of INVISTA S.a r.l.

Danzer® is a registered trademark of Danzer Holding AG.

Decora® is a registered trademark of Leviton Manufacturing Co., Inc.

Edelman® Leather is a registered trademark of Edelman Leather, Inc.

Extron® is a registered trademark of RGB Systems, Inc.

FENIX NTM® is a registered trademark of Arpa Industriale S.p.A.

FLEXNET™ is a trademark of Milliken & Company.

Floor Saver Glide® is a registered trademark of Carpin Manufacturing, Inc.

Forest Stewardship Council® is a registered trademark of the Forest Stewardship Council A.C. (FSC). We are FSC® certified (FSC® C102895).

FSC® is a registered trademark of the Forest Stewardship Council A.C. (FSC).

Geiger® is a registered trademark, and Bumper™, Saiba™, and Ward Bennett™ are trademarks, of Geiger International.

Hang-It-All® is a registered trademark of Lucia Eames Demetrios, d.b.a. Eames Office.

Holophane® is a registered trademark of Holophane.

Ingeo™ is a trademark of Cargill Dow LLC.

iPad® and Mac mini® are registered trademarks of Apple Inc.

Leviton® is a registered trademark of Leviton Manufacturing Co., Inc.

LifeSize® is a registered trademark of LifeSize Communications, Inc.

Lisocore® is a registered trademark of Pyrus Panels GmbH.

Logitech G® is a registered trademark of Logitech International S.A.

Magis®, Bombo®, and Me Too® are registered trademarks of Magis S.p.A.

MicrobeCare™ is a trademark of Parasol Medical LLC.

Microsoft® and Natural® Keyboard are registered trademarks of Microsoft Corporation.

Noguchi® and the Noguchi table configuration (trade dress) are registered trademarks, and Rudder Table™ is a trademark, of The Isamu Noguchi Foundation and Garden Museum.

Place Textiles® is a registered trademark of Place Textiles.

Sunbrella® is a registered trademark of Glen Raven, Inc.

SuperSeat™ is a trademark of Dahti Seating, a division of ITW.

Valor™ is among the trademarks owned by Nemschoff, Inc.