



Prices effective February 3, 2025

Published February 2025

Eames® Tables

Introduction	page 2
Eames® Tables	3
Occasional Tables	5
Low Conference Tables	20
Conference Tables	59
Standing Height Tables	127
Power Modules	189
Outdoor Tables	201
Indices	231
By Name	231
By Number	233
Appendices	
20-Day or Less/Assigned Lead-Time Order Information	
Stain-to-Match Program	
For the latest materials information, refer to the Materials pages on HermanMiller.com.	

Introduction

A Note on the Organization of This Book

There are a few signals that will help you understand the organization of this book. Once you know them, you should be able to find your way around easily.

Like a newspaper, this book is formatted with columns of text and illustrations that run vertically.

Information wraps from one column to the next and continues for as many pages as it needs to.

Black bars are clues.

A black bar at the top of a page signals the start of information about a product.

This information is divided into two sections, each signaled by a black bar. Product Information includes a description, additional notes, and dimensional drawings. Specification Information, which always begins at the top of a column, includes a series of steps. Each step represents a decision you need to make in order to complete your product number. Steps must be followed sequentially. The number of pages needed to complete information on a product varies; some will be complete in one page; others may fill three or four pages. Just continue going through the steps until you run into the next product, signaled by the black bar at the top of the page.

Black tabs running along the outside edge of the page help you locate what section you are in or what section you want to go to. You can thumb forwards or backwards to find a section; tabs and text appear on both sides of the page.

The additional pages in the back of the book include the appendices and indices. They are signaled by a long black bar running along the outside edge of the page.

The index is presented two ways.

The first index is in alphabetical order by product name. It can be helpful if you are new to the products and numbering scheme or if you are looking for a type of product, such as work chair or round table.

The second index is by product number. It lists, in alphanumeric order, the base product number, typically a five-digit number.

General Information

This book is effective February 3, 2025, subject to change without notice. Products may be purchased from authorized Herman Miller dealers who will quote prices upon request. For more information about our products and services or to see a list of dealers, visit www.HermanMiller.com.


All prices are list prices. Additional services, such as planning services, design, storage, and installation, are not included and must be added to these prices when the additional services are requested.


Illustrations, specifications, and prices are based on the latest information at the time of publication. The right is reserved to make changes at any time without notice in prices, fabrics, finishes, materials, specifications, and models, and also to discontinue models and finishes.

Dimensions shown in the drawings are engineering drawing dimensions rounded up to the nearest $\frac{1}{8}$ ". Product is shipped set up or knocked down. Products that include "Shipped knocked down" in the description require some assembly. If this statement does not appear in the description, the product is shipped assembled.

Service problems are normally handled by a Herman Miller authorized dealer. Where this cannot be accomplished on a local level, service problems should be referred to the Customer Care Representative for your region, Herman Miller, Inc., Zeeland, Michigan 49464.

20-Day or Less/Assigned Lead-Time Shipments

All products and options in this price book not designated by an Assigned Program icon  will ship in **20 business days or less** after being acknowledged by Herman Miller.

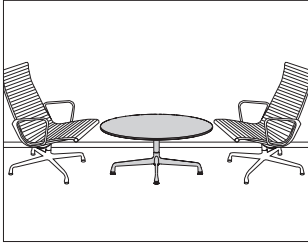
Products and options designated by an  are on the assigned lead-time program and may ship in 20 days, less than 20 days, or more than 20 days from order acknowledgement.

Tables

Outdoor Tables

Eames® Occasional Table, Round

ET307
ET308
ET309
ET310



Product Information

Description

This table has a laminate or veneer top with vinyl edge, a veneer top and edge, a thin-profile HPL top with black edge, a back-painted glass top with modified bullnose edge, or a solid wood top. Table may be specified with cutouts to accommodate simple power options (specified separately). Each table has adjustable glides. Shipped knocked down.

Notes

Tables have a 1-piece top and single column base.

Laminate and veneer tops are 7/8" thick.

Thin profile HPL tops are 1/2" thick.

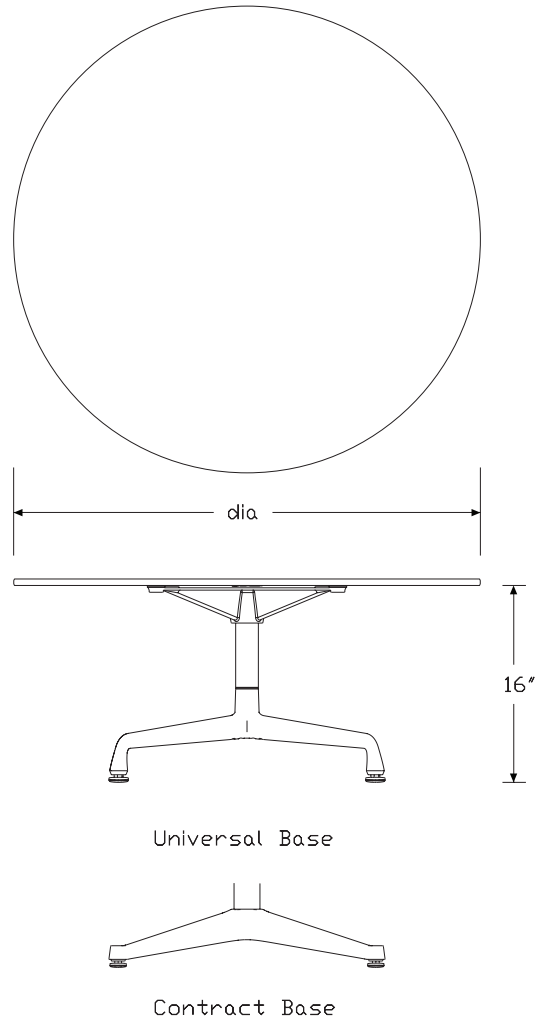
Glass tops are back-painted, with a satin etch finish to reduce the appearance of fingerprints. Tops are 1/2" thick.

30" and 36" diameter tables may only accommodate USB access. Single center cutout (CC) grommet option must be specified. Grommet option is a non-functional hole plug. For USB access, order round dual USB charging unit (ET990.) separately.

42" and 48" diameter tables may accommodate power. Single center cutout (CC) grommet option must be specified. Grommet provides simple pass-through with wire management features and a hinged lid. For power access, order round power module (ET991.) separately.

Santos palisander veneer is celebrated for its unique grain and color variations. Similar products ordered in multiples or dissimilar products ordered separately should be expected to have variation in both grain and color characteristics; no two products will look exactly alike.

Dimensions



Eames® Occasional Table, Round

continued

Eames® Tables

Specification Information

Step 1.

ET

Step 2. Height

3 16" high

Step 3. Diameter

07 30" diameter

08 36" diameter

09 42" diameter

10 48" diameter

Step 4. Base

For 30" diameter (07) or 36" diameter (08)

C contract base

U universal base

For 42" diameter (09) or 48" diameter (10)

C contract base

Step 5. Surface Material

For 30" diameter (07), 36" diameter (08), or 42" diameter (09)

C veneer top with vinyl edge

G back-painted glass top

L high-pressure laminate top with vinyl edge

M thin profile HPL top with black edge

W veneer top with veneer edge

SW solid wood top A

For 48" diameter (10)

C veneer top with vinyl edge A

G back-painted glass top A

L high-pressure laminate top with vinyl edge A

M thin profile HPL top with black edge A

W veneer top with veneer edge A

Step 6. Grommets

CC single center cutout

NG no grommet

Prices for Steps 1-6.

			CC	NG
ET307	C	C	\$1558	1493
		G	\$5690	5070
		L	\$1338	1271
		M	\$2434	2319
		W	\$1749	1683
	U	SW	\$4459	5130
		C	\$1558	1493
		G	\$5690	5070
		L	\$1338	1271
		M	\$2434	2319
	W	\$1749	1683	
	SW	\$4459	5130	

			CC	NG
ET308	C	C	\$1780	1712
		G	\$7178	6573
		L	\$1546	1476
		M	\$3143	3025
		W	\$2044	1977
	U	SW	\$6145	6816
		C	\$1780	1712
		G	\$7178	6573
		L	\$1546	1476
		M	\$3143	3025
	W	\$2044	1977	
	SW	\$6145	6816	

			CC	NG
ET309	C	C	\$2493	2156
		G	\$9312	8517
		L	\$2214	1875
		M	\$5117	4777
		W	\$2759	2420
		SW	\$7233	7905

			CC	NG
ET310	C	C	\$2701	2362
		G	\$11344	10537
		L	\$2407	2065
		M	\$5235	4893
		W	\$2950	2613

Eames® Occasional Table, Round

continued

Step 7.

Top Finish

For back-painted glass top (G)

8Q	folkstone grey (CP)	+\$0
91	white (CP)	+\$0
BK	black	+\$0
WN	warm grey neutral	+\$0

Top Finish

For thin profile HPL top with black edge (M)

91	white (CP)	+\$0
BK	black	+\$0
G1	graphite (CP)	+\$0

Top Finish

For high-pressure laminate top with vinyl edge (L)

8Q	folkstone grey (CP)	+\$0
91	white (CP)	+\$0
98	studio white (CP)	+\$0
BKM	black matte	+\$0
CL	cool grey neutral	+\$0
HF	inner tone light	+\$0
LT	light tone	+\$0
LU	soft white	+\$0
WL	warm stone (CP)	+\$0
WN	warm grey neutral	+\$0

Top Finish

For 30" diameter (07) with solid wood top (SW)

OU	walnut <input type="checkbox"/>	+\$335
WHN	natural white oak <input type="checkbox"/>	+\$0

Top Finish

For 36" diameter (08) with solid wood top (SW)

OU	walnut <input type="checkbox"/>	+\$480
WHN	natural white oak <input type="checkbox"/>	+\$0

Top Finish

For 42" diameter (09) with solid wood top (SW)

OU	walnut <input type="checkbox"/>	+\$580
WHN	natural white oak <input type="checkbox"/>	+\$0

Top Finish

For 30" diameter (07) or 36" diameter (08) with veneer top with vinyl edge (C)

2U	light brown walnut	+\$105
40	dark brown walnut	+\$105
9N	santos palisander	+\$380
A2	white ash	+\$105
CHD	noble cherry	+\$105
EN	ebony	+\$105
OU	walnut	+\$105
UL	natural maple	+\$105
WHN	natural white oak	+\$105

Top Finish

For 42" diameter (09) with veneer top with vinyl edge (C)

2U	light brown walnut	+\$130
40	dark brown walnut	+\$130
9N	santos palisander	+\$720
A2	white ash	+\$130
CHD	noble cherry	+\$130
EN	ebony	+\$130
OU	walnut	+\$130
UL	natural maple	+\$130
WHN	natural white oak	+\$130

Top Finish

For 48" diameter (10) with veneer top with vinyl edge (C)

2U	light brown walnut	+\$175
40	dark brown walnut	+\$175
9N	santos palisander	+\$839
A2	white ash	+\$175
CHD	noble cherry	+\$175
EN	ebony	+\$175
OU	walnut	+\$175
UL	natural maple	+\$175
WHN	natural white oak	+\$175

Eames® Occasional Table, Round

continued

Eames® Tables

Top/Edge Finish		
<i>For 30" diameter (07) or 36" diameter (08) with veneer top with veneer edge (W)</i>		
2U	light brown walnut	+\$105
40	dark brown walnut	+\$105
9N	santos palisander	+\$380
A2	white ash	+\$105
CHD	noble cherry	+\$105
EN	ebony	+\$105
OU	walnut	+\$105
UL	natural maple	+\$105
WHN	natural white oak	+\$105

Top/Edge Finish		
<i>For 42" diameter (09) with veneer top with veneer edge (W)</i>		
2U	light brown walnut	+\$130
40	dark brown walnut	+\$130
9N	santos palisander	+\$720
A2	white ash	+\$130
CHD	noble cherry	+\$130
EN	ebony	+\$130
OU	walnut	+\$130
UL	natural maple	+\$130
WHN	natural white oak	+\$130

Top/Edge Finish		
<i>For 48" diameter (10) with veneer top with veneer edge (W)</i>		
2U	light brown walnut	+\$175
40	dark brown walnut	+\$175
9N	santos palisander	+\$839
A2	white ash	+\$175
CHD	noble cherry	+\$175
EN	ebony	+\$175
OU	walnut	+\$175
UL	natural maple	+\$175
WHN	natural white oak	+\$175

Step 8. Edge Finish		
<i>For veneer top with vinyl edge (C) or high-pressure laminate top with vinyl edge (L)</i>		
8Q	folkstone grey (CP)	+\$0
91	white (CP)	+\$0
98	studio white (CP)	+\$0
BK	black	+\$0
CL	cool grey neutral	+\$0
HF	inner tone light	+\$0
LT	light tone	+\$0
LU	soft white	+\$0
SG	slate grey	+\$0
WL	warm stone (CP)	+\$0
WN	warm grey neutral	+\$0

Step 9. Grommet Finish		
<i>For 30" diameter (07) or 36" diameter (08) with veneer top with vinyl edge (C), back-painted glass top (G), or high-pressure laminate top with vinyl edge (L), or thin profile HPL top with black edge (M), or veneer top with veneer edge (W) with single center cutout (CC)</i>		
PA	polished aluminum	+\$0
<i>For 30" diameter (07) or 36" diameter (08) with solid wood top (SW) with single center cutout (CC)</i>		
NF	no finish A	+\$0

<i>For 42" diameter (09) or 48" diameter (10) with veneer top with vinyl edge (C), back-painted glass top (G), or high-pressure laminate top with vinyl edge (L), or thin profile HPL top with black edge (M), or veneer top with veneer edge (W) with single center cutout (CC)</i>		
91	white (CP)	+\$0
BK	black	+\$0
PA	polished aluminum	+\$0
<i>For 42" diameter (09) with solid wood top (SW) with single center cutout (CC)</i>		
91	white (CP) A	+\$0
BK	black A	+\$0
PA	polished aluminum A	+\$0

Eames® Occasional Table, Round

continued

Step 10. Column Finish		
611	beige mist metallic (CP)	+\$0
613	silver (CP)	+\$0
G1	graphite (CP)	+\$0
91	white (CP)	+\$0
BK	black	+\$0
CL	cool grey neutral	+\$0
EH	metallic bronze	+\$0
HF	inner tone light	+\$0
LT	light tone	+\$0
LU	soft white	+\$0
MT	medium tone	+\$0
SG	slate grey	+\$0
WN	warm grey neutral	+\$0

Step 11. Base Finish		
611	beige mist metallic (CP)	+\$0
613	silver (CP)	+\$0
91	white (CP)	+\$0
BK	black	+\$0
CL	cool grey neutral	+\$0
EH	metallic bronze	+\$0
G1	graphite (CP)	+\$0
HF	inner tone light	+\$0
LT	light tone	+\$0
LU	soft white	+\$0
MT	medium tone	+\$0
PA	polished aluminum	+\$0
SG	slate grey	+\$0
WN	warm grey neutral	+\$0

Step 12. Casters/Glides

For veneer top with vinyl edge (C), high-pressure laminate top with vinyl edge (L), thin profile HPL top with black edge (M), veneer top with veneer edge (W), or solid wood top (SW)

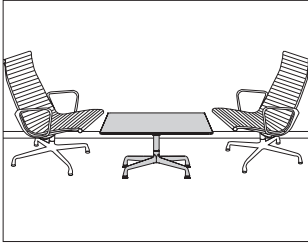
G	glides	+\$0
---	--------	------

For back-painted glass top (G)

G	glides	+\$0
---	--------	------

Eames® Occasional Table, Square

ET304
ET305
ET306
ET348



Eames® Tables

Product Information

Description

This table has a laminate or veneer top with vinyl edge, a veneer top and edge, a thin-profile HPL top with black edge, a back-painted glass top with modified bullnose edge, or a solid wood top. Table may be specified with cutouts to accommodate simple power options (specified separately). Each table has adjustable glides. Shipped knocked down.

Notes

Tables have a 1-piece top and single column base.

Laminate and veneer tops are 7/8" thick.

Thin profile HPL tops are 1/2" thick.

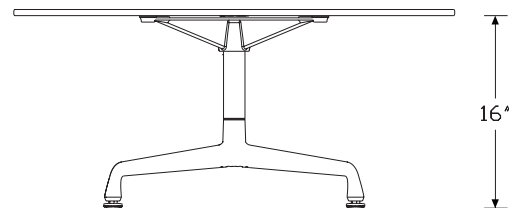
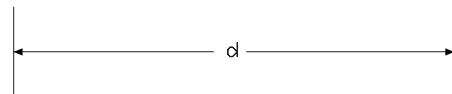
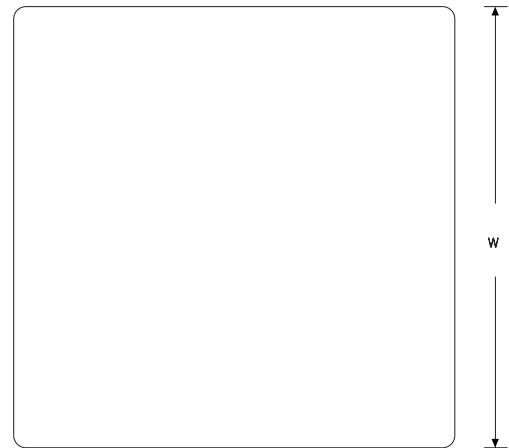
Glass tops are back-painted, with a satin etch finish to reduce the appearance of fingerprints. Tops are 1/2" thick.

30" and 36" tables may only accommodate USB access. Single center cutout (CC) grommet option must be specified. Grommet option is a non-functional hole plug. For USB access, order round dual USB charging unit (ET990.) separately.

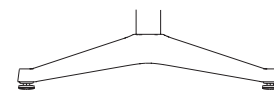
42" and 48" tables may accommodate power. Single center cutout (CC) grommet option must be specified. Grommet provides simple pass-through with wire management features and a hinged lid. For power access, order round power module (ET991.) separately.

Santos palisander veneer is celebrated for its unique grain and color variations. Similar products ordered in multiples or dissimilar products ordered separately should be expected to have variation in both grain and color characteristics; no two products will look exactly alike.

Dimensions



Universal Base



Contract Base

Eames® Occasional Table, Square

continued

Specification Information

Step 1.

ET

Step 2. Height

3 16" high

Step 3. Depth/Width

04 30" deep x 30" wide

05 36" deep x 36" wide

06 42" deep x 42" wide

48 48" deep x 48" wide

Step 4. Base

For 30" deep x 30" wide (04) or 36" deep x 36" wide (05)

C contract base

U universal base

For 42" deep x 42" wide (06) or 48" deep x 48" wide (48)

C contract base

Step 5. Surface Material

For 30" deep x 30" wide (04), 36" deep x 36" wide (05), or 42" deep x 42" wide (06)

L high-pressure laminate top with vinyl edge

C veneer top with vinyl edge

W veneer top with veneer edge

M thin profile HPL top with black edge

G back-painted glass top

SW solid wood top **A**

For 48" deep x 48" wide (48)

L high-pressure laminate top with vinyl edge **A**

C veneer top with vinyl edge **A**

W veneer top with veneer edge **A**

M thin profile HPL top with black edge **A**

G back-painted glass top **A**

Step 6. Grommets

NG no grommet

CC single center cutout

Prices for Steps 1-6.

			NG	CC
ET304	C	L	\$1271	1338
		C	\$1493	1558
		W	\$1683	1749
		M	\$2319	2434
		G	\$5070	5690
	U	SW	\$4459	5130
		L	\$1271	1338
		C	\$1493	1558
		W	\$1683	1749
		M	\$2319	2434
	G	\$5070	5690	
	SW	\$4459	5130	
			NG	CC
ET305	C	L	\$1476	1546
		C	\$1712	1780
		W	\$1977	2044
		M	\$3025	3143
		G	\$6573	7178
	U	SW	\$6145	6816
		L	\$1476	1546
		C	\$1712	1780
		W	\$1977	2044
		M	\$3025	3143
	G	\$6573	7178	
	SW	\$6145	6816	
			NG	CC
ET306	C	L	\$1875	2214
		C	\$2156	2493
		W	\$2420	2759
		M	\$4777	5117
		G	\$8517	9312
		SW	\$7233	7905
			NG	CC
ET348	C	L	\$2065	2407
		C	\$2362	2701
		W	\$2613	2950
		M	\$4893	5235
		G	\$10537	11344

Eames® Occasional Table, Square

continued

Eames® Tables

Step 7.

Top Finish: Top Finish

For back-painted glass top (G)

8Q	folkstone grey (CP)	+\$0
91	white (CP)	+\$0
BK	black	+\$0
WN	warm grey neutral	+\$0

Top Finish: Top Finish

For thin profile HPL top with black edge (M)

91	white (CP)	+\$0
BK	black	+\$0
G1	graphite (CP)	+\$0

Top Finish: Solid-Color Laminate

For high-pressure laminate top with vinyl edge (L)

8Q	folkstone grey (CP)	+\$0
91	white (CP)	+\$0
98	studio white (CP)	+\$0
BKM	black matte	+\$0
CL	cool grey neutral	+\$0
HF	inner tone light	+\$0
LT	light tone	+\$0
LU	soft white	+\$0
WL	warm stone (CP)	+\$0
WN	warm grey neutral	+\$0

Top Finish

For 30" deep x 30" wide (04) with solid wood top (SW)

OU	walnut A	+\$335
WHN	natural white oak A	+\$0

Top Finish

For 36" deep x 36" wide (05) with solid wood top (SW)

OU	walnut A	+\$480
WHN	natural white oak A	+\$0

Top Finish

For 42" deep x 42" wide (06) with solid wood top (SW)

OU	walnut A	+\$580
WHN	natural white oak A	+\$0

Top Finish: Wood Veneer

For 30" deep x 30" wide (04) or 36" deep x 36" wide (05) with veneer top with vinyl edge (C)

2U	light brown walnut	+\$105
40	dark brown walnut	+\$105
9N	santos palisander	+\$380
A2	white ash	+\$105
CHD	noble cherry	+\$105
EN	ebony	+\$105
OU	walnut	+\$105
UL	natural maple	+\$105
WHN	natural white oak	+\$0

Top Finish: Wood Veneer

For 42" deep x 42" wide (06) with veneer top with vinyl edge (C)

2U	light brown walnut	+\$130
40	dark brown walnut	+\$130
9N	santos palisander	+\$720
A2	white ash	+\$130
CHD	noble cherry	+\$130
EN	ebony	+\$130
OU	walnut	+\$130
UL	natural maple	+\$130
WHN	natural white oak	+\$0

Top Finish: Wood Veneer

For 48" deep x 48" wide (48) with veneer top with vinyl edge (C)

2U	light brown walnut	+\$175
40	dark brown walnut	+\$175
9N	santos palisander	+\$839
A2	white ash	+\$175
CHD	noble cherry	+\$175
EN	ebony	+\$175
OU	walnut	+\$175
UL	natural maple	+\$175
WHN	natural white oak	+\$0

Eames® Occasional Table, Square

continued

Top/Edge Finish		
<i>For 30" deep x 30" wide (04) or 36" deep x 36" wide (05) with veneer top with veneer edge (W)</i>		
2U	light brown walnut	+\$105
40	dark brown walnut	+\$105
9N	santos palisander	+\$380
A2	white ash	+\$105
CHD	noble cherry	+\$105
EN	ebony	+\$105
OU	walnut	+\$105
UL	natural maple	+\$105
WHN	natural white oak	+\$0

Top/Edge Finish		
<i>For 42" deep x 42" wide (06) with veneer top with veneer edge (W)</i>		
2U	light brown walnut	+\$130
40	dark brown walnut	+\$130
9N	santos palisander	+\$720
A2	white ash	+\$130
CHD	noble cherry	+\$130
EN	ebony	+\$130
OU	walnut	+\$130
UL	natural maple	+\$130
WHN	natural white oak	+\$0

Top/Edge Finish		
<i>For 48" deep x 48" wide (48) with veneer top with veneer edge (W)</i>		
2U	light brown walnut	+\$175
40	dark brown walnut	+\$175
9N	santos palisander	+\$839
A2	white ash	+\$175
CHD	noble cherry	+\$175
EN	ebony	+\$175
OU	walnut	+\$175
UL	natural maple	+\$175
WHN	natural white oak	+\$0

Step 8. Edge Finish		
<i>For high-pressure laminate top with vinyl edge (L) or veneer top with vinyl edge (C)</i>		
8Q	folkstone grey (CP)	+\$0
91	white (CP)	+\$0
98	studio white (CP)	+\$0
BK	black	+\$0
CL	cool grey neutral	+\$0
HF	inner tone light	+\$0
LT	light tone	+\$0
LU	soft white	+\$0
SG	slate grey	+\$0
WL	warm stone (CP)	+\$0
WN	warm grey neutral	+\$0

Step 9. Grommet Finish		
<i>For 30" deep x 30" wide (04) or 36" deep x 36" wide (05) with high-pressure laminate top with vinyl edge (L), veneer top with vinyl edge (C), or veneer top with veneer edge (W), or thin profile HPL top with black edge (M), or back-painted glass top (G) with single center cutout (CC)</i>		
PA	polished aluminum	+\$0
<i>For 30" deep x 30" wide (04) or 36" deep x 36" wide (05) with solid wood top (SW) with single center cutout (CC)</i>		
NF	no finish A	+\$0

<i>For 42" deep x 42" wide (06) or 48" deep x 48" wide (48) with high-pressure laminate top with vinyl edge (L), veneer top with vinyl edge (C), or veneer top with veneer edge (W), or thin profile HPL top with black edge (M), or back-painted glass top (G) with single center cutout (CC)</i>		
91	white (CP)	+\$0
BK	black	+\$0
PA	polished aluminum	+\$0
<i>For 42" deep x 42" wide (06) with solid wood top (SW) with single center cutout (CC)</i>		
91	white (CP) A	+\$0
BK	black A	+\$0
PA	polished aluminum A	+\$0

Eames® Occasional Table, Square

continued

Eames® Tables

Step 10. Column Finish		
611	beige mist metallic (CP)	+\$0
613	silver (CP)	+\$0
G1	graphite (CP)	+\$0
91	white (CP)	+\$0
BK	black	+\$0
CL	cool grey neutral	+\$0
EH	metallic bronze	+\$0
HF	inner tone light	+\$0
LT	light tone	+\$0
LU	soft white	+\$0
MT	medium tone	+\$0
SG	slate grey	+\$0
WN	warm grey neutral	+\$0

Step 11. Base Finish		
611	beige mist metallic (CP)	+\$0
613	silver (CP)	+\$0
G1	graphite (CP)	+\$0
91	white (CP)	+\$0
BK	black	+\$0
CL	cool grey neutral	+\$0
EH	metallic bronze	+\$0
HF	inner tone light	+\$0
LT	light tone	+\$0
LU	soft white	+\$0
MT	medium tone	+\$0
PA	polished aluminum	+\$0
SG	slate grey	+\$0
WN	warm grey neutral	+\$0

Step 12. Casters/Glides		
-------------------------	--	--

For high-pressure laminate top with vinyl edge (L), veneer top with vinyl edge (C), veneer top with veneer edge (W), thin profile HPL top with black edge (M), or solid wood top (SW)

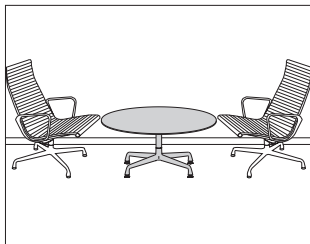
G	glides	+\$0
----------	--------	------

For back-painted glass top (G)

G	glides	+\$0
----------	--------	------

Eames® Occasional Table, Round,
Stone

ET307
ET308
ET309
ET310



Product Information

Description

This table has a stone top and comes with adjustable glides. Ships knocked down with assembly required. Top and base components ship in separate packages.

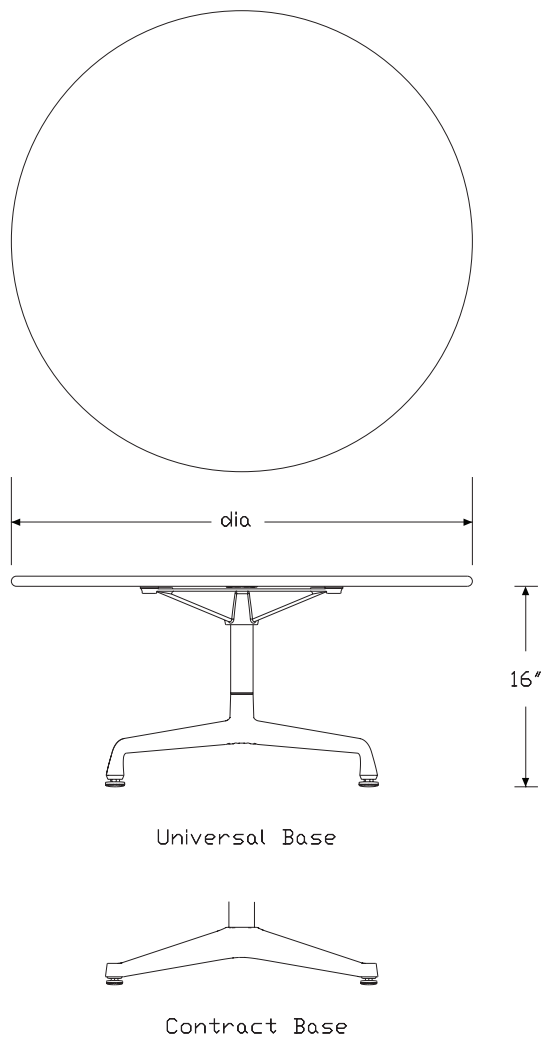
Notes

Stone top is $\frac{3}{4}$ " thick and has a full bullnose edge profile.

Marble tops have a honed finish; quartz tops have a polished finish.

Natural characteristics in stone cause variations in hues, veins, crystals, and distinctive marks. These variations and subtle changes seen as the stone ages are values associated with natural materials. No two tabletops are identically the same; variations in both color and veining are to be expected. Over time the stone may fade in color, staining of the surface may appear, and surface cracks, if not already visible at time of purchase, may appear. Small cracks do not affect the structure of the tabletop.

Dimensions



Eames® Occasional Table, Round,
Stone *continued*

Specification Information

Step 1.

ET A

Step 2. Height

3 16" high A

Step 3. Diameter

07 30" diameter A

08 36" diameter A

09 42" diameter A

10 48" diameter A

Step 4. Base

For 30" diameter (07) or 36" diameter (08)

U universal base A

C contract base A

For 42" diameter (09) or 48" diameter (10)

C contract base A

Step 5. Surface Material

S stone top A

Prices for Steps 1-5.

	S
ET307 U	\$5962
C	\$5962
ET308 U	\$7191
C	\$7191
ET309 C	\$10466
ET310 C	\$10840

Step 6. Top Finish

For 30" diameter (07) with stone top (S)

5U	georgia grey marble <input type="checkbox"/> A	+\$436
CRR	Carrara marble <input type="checkbox"/> A	+\$436
QBL	black quartz <input type="checkbox"/> A	+\$270
QCN	concrete quartz <input type="checkbox"/> A	-\$250
QPL	pearl quartz <input type="checkbox"/> A	-\$250

For 36" diameter (08) with stone top (S)

5U	georgia grey marble <input type="checkbox"/> A	+\$526
CRR	Carrara marble <input type="checkbox"/> A	+\$0
QBL	black quartz <input type="checkbox"/> A	-\$300
QCN	concrete quartz <input type="checkbox"/> A	-\$900
QPL	pearl quartz <input type="checkbox"/> A	-\$900

For 42" diameter (09) with stone top (S)

5U	georgia grey marble <input type="checkbox"/> A	+\$610
CRR	Carrara marble <input type="checkbox"/> A	-\$1000
QBL	black quartz <input type="checkbox"/> A	-\$1200
QCN	concrete quartz <input type="checkbox"/> A	-\$1800
QPL	pearl quartz <input type="checkbox"/> A	-\$1800

For 48" diameter (10) with stone top (S)

5U	georgia grey marble <input type="checkbox"/> A	+\$711
CRR	Carrara marble <input type="checkbox"/> A	-\$1000
QBL	black quartz <input type="checkbox"/> A	-\$1200
QCN	concrete quartz <input type="checkbox"/> A	-\$1800
QPL	pearl quartz <input type="checkbox"/> A	-\$1800

Step 7. Column Finish

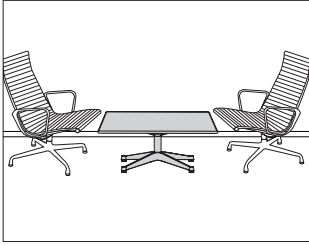
611	beige mist metallic (CP) <input type="checkbox"/> A	+\$0
613	silver (CP) <input type="checkbox"/> A	+\$0
G1	graphite (CP) <input type="checkbox"/> A	+\$0
91	white (CP) <input type="checkbox"/> A	+\$0
BK	black <input type="checkbox"/> A	+\$0
CL	cool grey neutral <input type="checkbox"/> A	+\$0
HF	inner tone light <input type="checkbox"/> A	+\$0
LT	light tone <input type="checkbox"/> A	+\$0
LU	soft white <input type="checkbox"/> A	+\$0
MT	medium tone <input type="checkbox"/> A	+\$0
SG	slate grey <input type="checkbox"/> A	+\$0
WN	warm grey neutral <input type="checkbox"/> A	+\$0
EH	metallic bronze <input type="checkbox"/> A	+\$0

Eames® Occasional Table, Round,
Stone *continued*

Step 8. Base Finish		
611	beige mist metallic (CP) <input type="checkbox"/>	+\$0
613	silver (CP) <input type="checkbox"/>	+\$0
G1	graphite (CP) <input type="checkbox"/>	+\$0
91	white (CP) <input type="checkbox"/>	+\$0
BK	black <input type="checkbox"/>	+\$0
CL	cool grey neutral <input type="checkbox"/>	+\$0
HF	inner tone light <input type="checkbox"/>	+\$0
LT	light tone <input type="checkbox"/>	+\$0
LU	soft white <input type="checkbox"/>	+\$0
MT	medium tone <input type="checkbox"/>	+\$0
PA	polished aluminum <input type="checkbox"/>	+\$0
SG	slate grey <input type="checkbox"/>	+\$0
WN	warm grey neutral <input type="checkbox"/>	+\$0
EH	metallic bronze <input type="checkbox"/>	+\$0

Eames® Occasional Table, Square,
Stone

ET304
ET306



Eames® Tables

Product Information

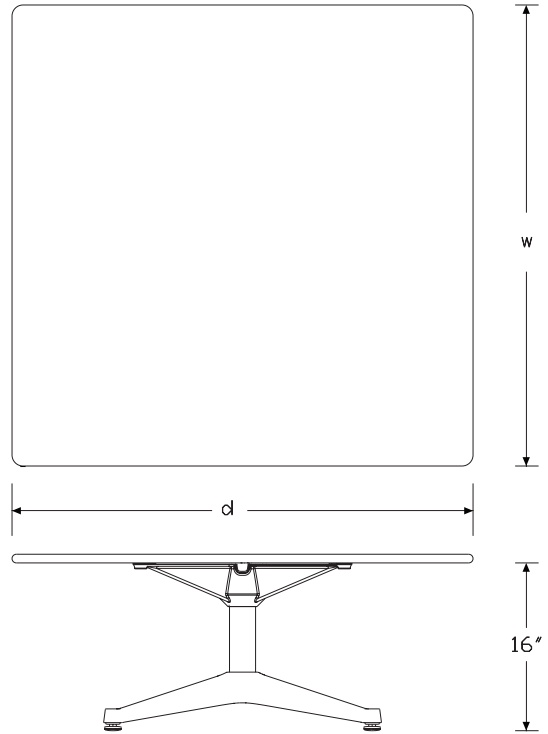
Description

This table has a stone top and comes with adjustable glides. Ships knocked down with assembly required. Top and base components ship in separate packages.

Notes

Stone top is $\frac{3}{4}$ " thick and has a full bullnose edge profile.
Marble tops have a honed finish; quartz tops have a polished finish.
Natural characteristics in stone cause variations in hues, veins, crystals, and distinctive marks. These variations and subtle changes seen as the stone ages are values associated with natural materials. No two tabletops are identically the same; variations in both color and veining are to be expected. Over time the stone may fade in color, staining of the surface may appear, and surface cracks, if not already visible at time of purchase, may appear. Small cracks do not affect the structure of the tabletop.

Dimensions



Contract Base



Universal Base

Eames® Occasional Table, Square,
Stone *continued*

Specification Information

Step 1.

ET A

Step 2. Height

3 16" high A

Step 3. Depth/Width

04 30" deep x 30" wide A

06 42" deep x 42" wide A

Step 4. Base

For 30" deep x 30" wide (04)

U universal base A

C contract base A

For 42" deep x 42" wide (06)

C contract base A

Step 5. Surface Material

S stone top A

Prices for Steps 1-5.

	S
ET304 U	\$5962
C	\$5962
ET306 C	\$10466

Step 6. Top Finish

For 30" deep x 30" wide (04) with stone top (S)

5U georgia grey marble A +\$436

CRR Carrara marble A +\$436

QBL black quartz A +\$270

QCN concrete quartz A -\$250

QPL pearl quartz A -\$250

For 42" deep x 42" wide (06) with stone top (S)

5U georgia grey marble A +\$610

CRR Carrara marble A -\$1000

QBL black quartz A -\$1200

QCN concrete quartz A -\$1800

QPL pearl quartz A -\$1800

Step 7. Column Finish

611 beige mist metallic (CP) A +\$0

613 silver (CP) A +\$0

G1 graphite (CP) A +\$0

91 white (CP) A +\$0

BK black A +\$0

CL cool grey neutral A +\$0

HF inner tone light A +\$0

LT light tone A +\$0

LU soft white A +\$0

MT medium tone A +\$0

SG slate grey A +\$0

WN warm grey neutral A +\$0

EH metallic bronze A +\$0

Step 8. Base Finish

611 beige mist metallic (CP) A +\$0

613 silver (CP) A +\$0

G1 graphite (CP) A +\$0

91 white (CP) A +\$0

BK black A +\$0

CL cool grey neutral A +\$0

HF inner tone light A +\$0

LT light tone A +\$0

LU soft white A +\$0

MT medium tone A +\$0

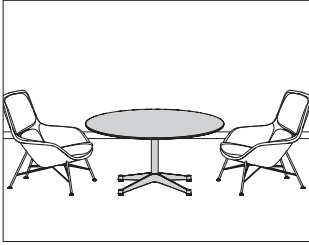
PA polished aluminum A +\$0

SG slate grey A +\$0

WN warm grey neutral A +\$0

EH metallic bronze A +\$0

Eames® Low Conference Table, Round



- ET207
- ET208
- ET222
- ET223
- ET224
- ET225
- ET226
- ET227
- ET229

Product Information

Description

This table has a laminate or veneer top with vinyl edge, a veneer top and edge, a thin-profile HPL top with black edge, a back-painted glass top with modified bullnose edge, or a solid wood top. Table may be specified with cutouts to accommodate simple power options (specified separately). Each table has adjustable glides. Shipped knocked down.

Notes

30"-60" tables have a 1-piece top and single column base. 66"-96" tables have 2-piece tops and a 4-column segmented base.

Laminate and veneer tops 30"-48" diameter are $\frac{7}{8}$ " thick; tops 54"-96" diameter are $1\frac{1}{4}$ " thick.

Thin profile HPL tops are $\frac{1}{2}$ " thick.

Glass tops are back-painted, with a satin etch finish to reduce the appearance of fingerprints. Tops 30"-48" diameter are $\frac{1}{2}$ " thick; tops 54"-60" diameter are $\frac{1}{2}$ " thick with a Formcoat® substructure.

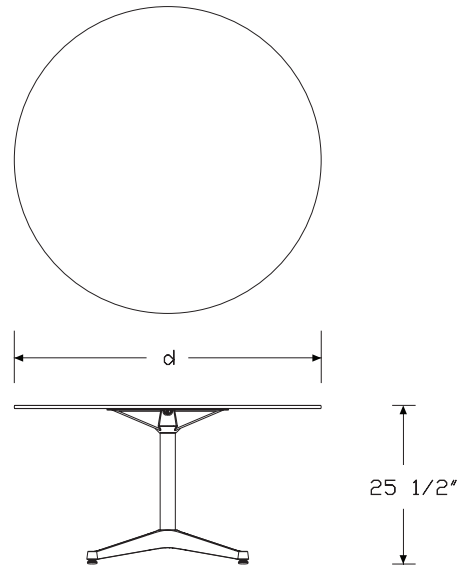
30" and 36" diameter tables may only accommodate USB access. Single center cutout (CC) grommet option must be specified. Grommet option is a non-functional hole plug. For USB access, order round dual USB charging unit (ET990.) separately.

42"-60" diameter tables may accommodate power. Single center cutout (CC) grommet option must be specified. Grommet provides simple pass-through with wire management features and a hinged lid. For power access, order round power module (ET991.) separately.

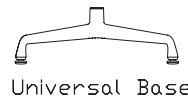
Multiple column tables (66"-96" diameter) may accommodate up to 4 power modules. Four cutouts (C4) option must be specified; cutouts are aligned above the columns. Grommets provide simple pass-through with wire management features and a hinged lid. For power access, order round power module (ET991.) separately.

Santos palisander veneer is celebrated for its unique grain and color variations. Similar products ordered in multiples or dissimilar products ordered separately should be expected to have variation in both grain and color characteristics; no two products will look exactly alike.

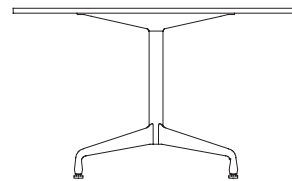
Dimensions



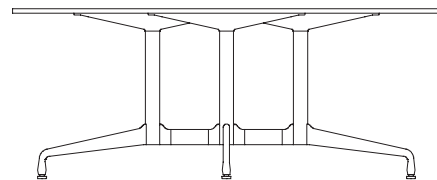
Contract Base



Universal Base



30"-60" Diameter, Segmented Base



66"-96" Diameter, Segmented Base

Eames® Low Conference Table,
Round *continued*

Specification Information

Step 1.

ET

Step 2. Height

2 25½" high

Step 3. Diameter

- 07 30" diameter
- 08 36" diameter
- 22 42" diameter
- 23 48" diameter
- 24 54" diameter
- 25 60" diameter
- 26 66" diameter
- 27 72" diameter
- 29 84" diameter
- 31 96" diameter

Step 4. Base

For 30" diameter (07) or 36" diameter (08)

- C contract base
- U universal base

For 42" diameter (22) or 48" diameter (23)

- C contract base
- S segmented base

For 54" diameter (24), 60" diameter (25), 66" diameter (26), 72" diameter (27), 84" diameter (29), or 96" diameter (31)

- S segmented base

Step 5. Surface Material

For 30" diameter (07), 36" diameter (08), or 42" diameter (22)

- L high-pressure laminate top with vinyl edge
- C veneer top with vinyl edge A
- W veneer top with veneer edge A
- M thin profile HPL top with black edge
- G back-painted glass top
- SW solid wood top A

For 48" diameter (23)

- L high-pressure laminate top with vinyl edge A
- C veneer top with vinyl edge A
- W veneer top with veneer edge A
- M thin profile HPL top with black edge A
- G back-painted glass top A

For 66" diameter (26), 72" diameter (27), 84" diameter (29), or 96" diameter (31)

- L high-pressure laminate top with vinyl edge
- C veneer top with vinyl edge
- W veneer top with veneer edge

For 54" diameter (24) or 60" diameter (25)

- L high-pressure laminate top with vinyl edge A
- C veneer top with vinyl edge A
- W veneer top with veneer edge A
- G back-painted glass top A

Step 6. Grommets

For 30" diameter (07), 36" diameter (08), 42" diameter (22), 48" diameter (23), 54" diameter (24), or 60" diameter (25)

- NG no grommet
- CC single center cutout

For 66" diameter (26), 72" diameter (27), 84" diameter (29), or 96" diameter (31)

- NG no grommet
- C4 four cutouts

Prices for Steps 1-6.

			NG	C4	CC
ET207	C	L	\$1271	—	1338
		C	\$1493	—	1558
		W	\$1683	—	1749
		M	\$2319	—	2434
		G	\$5070	—	5690
		SW	\$4459	—	5130
U	L	L	\$1271	—	1338
		C	\$1493	—	1558
		W	\$1683	—	1749
		M	\$2319	—	2434
		G	\$5070	—	5690
		SW	\$4459	—	5130

Eames® Low Conference Table,
Round *continued*

Eames® Tables

			NG	C4	CC
ET208	C	L	\$1476	—	1546
		C	\$1712	—	1780
		W	\$1977	—	2044
		M	\$3025	—	3143
		G	\$6573	—	7178
		SW	\$6145	—	6816
U	L	L	\$1476	—	1546
		C	\$1712	—	1780
		W	\$1977	—	2044
		M	\$3025	—	3143
		G	\$6573	—	7178
		SW	\$6145	—	6816
			NG	C4	CC
ET222	C	L	\$1875	—	2214
		C	\$2156	—	2493
		W	\$2420	—	2759
		M	\$4777	—	5117
		G	\$8517	—	9312
		SW	\$7233	—	7905
S	L	L	\$1875	—	2214
		C	\$2156	—	2493
		W	\$2420	—	2759
		M	\$4777	—	5117
		G	\$8517	—	9312
		SW	\$7233	—	7905
			NG	C4	CC
ET223	C	L	\$2065	—	2407
		C	\$2362	—	2701
		W	\$2613	—	2950
		M	\$4893	—	5235
		G	\$10537	—	11344
		SW	\$2065	—	2407
S	L	L	\$2065	—	2407
		C	\$2362	—	2701
		W	\$2613	—	2950
		M	\$4893	—	5235
		G	\$10537	—	11344
		SW	\$2065	—	2407
			NG	C4	CC
ET224	S	L	\$2568	—	2904
		C	\$2977	—	3319
		W	\$3171	—	3508
		G	\$14807	—	15354

			NG	C4	CC
ET225	S	L	\$3319	—	3657
		C	\$3802	—	4143
		W	\$4245	—	4585
		G	\$17739	—	18446
			NG	C4	CC
ET226	S	L	\$4832	6190	—
		C	\$5349	6706	—
		W	\$5939	7296	—
			NG	C4	CC
ET227	S	L	\$5038	6393	—
		C	\$5704	7058	—
		W	\$6364	7723	—
			NG	C4	CC
ET229	S	L	\$5688	7042	—
		C	\$6617	7973	—
		W	\$7354	8708	—
			NG	C4	CC
ET231	S	L	\$6907	8262	—
		C	\$8135	9489	—
		W	\$9017	10373	—

Step 7.

Top Finish: Finish

For back-painted glass top (G)

8Q	folkstone grey (CP)	+\$0
91	white (CP)	+\$0
BK	black	+\$0
WN	warm grey neutral	+\$0

Top Finish

For thin profile HPL top with black edge (M)

91	white (CP)	+\$0
G1	graphite (CP)	+\$0
BK	black	+\$0

Eames® Low Conference Table,
Round *continued*

Top Finish: Solid-Color Laminate		
<i>For high-pressure laminate top with vinyl edge (L)</i>		
8Q	folkstone grey (CP)	+\$0
91	white (CP)	+\$0
98	studio white (CP)	+\$0
BKM	black matte	+\$0
CL	cool grey neutral	+\$0
HF	inner tone light	+\$0
LT	light tone	+\$0
LU	soft white	+\$0
WL	warm stone (CP)	+\$0
WN	warm grey neutral	+\$0

Top Finish		
<i>For 30" diameter (07) with solid wood top (SW)</i>		
OU	walnut A	+\$335
WHN	natural white oak A	+\$0

Top Finish		
<i>For 36" diameter (08) with solid wood top (SW)</i>		
OU	walnut A	+\$480
WHN	natural white oak A	+\$0

Top Finish		
<i>For 42" diameter (22) with solid wood top (SW)</i>		
OU	walnut A	+\$580
WHN	natural white oak A	+\$0

Top Finish: Wood Veneer		
<i>For 30" diameter (07) with veneer top with vinyl edge (C)</i>		
2U	light brown walnut	+\$105
40	dark brown walnut	+\$105
9N	santos palisander	+\$380
A2	white ash	+\$105
CHD	noble cherry	+\$105
EN	ebony	+\$105
OU	walnut	+\$105
UL	natural maple	+\$105
WHN	natural white oak	+\$105

Top Finish: Wood Veneer		
<i>For 36" diameter (08) with veneer top with vinyl edge (C)</i>		
2U	light brown walnut	+\$105
40	dark brown walnut	+\$105
9N	santos palisander	+\$380
A2	white ash	+\$105
CHD	noble cherry	+\$105
EN	ebony	+\$105
OU	walnut	+\$105
UL	natural maple	+\$105
WHN	natural white oak	+\$105

Top Finish: Wood Veneer		
<i>For 42" diameter (22) with veneer top with vinyl edge (C)</i>		
2U	light brown walnut	+\$130
40	dark brown walnut	+\$130
9N	santos palisander	+\$720
A2	white ash	+\$130
CHD	noble cherry	+\$130
EN	ebony	+\$130
OU	walnut	+\$130
UL	natural maple	+\$130
WHN	natural white oak	+\$130

Top Finish: Wood Veneer		
<i>For 48" diameter (23) with veneer top with vinyl edge (C)</i>		
2U	light brown walnut	+\$175
40	dark brown walnut	+\$175
9N	santos palisander	+\$839
A2	white ash	+\$175
CHD	noble cherry	+\$175
EN	ebony	+\$175
OU	walnut	+\$175
UL	natural maple	+\$175
WHN	natural white oak	+\$175

Top Finish: Wood Veneer		
<i>For 54" diameter (24) with veneer top with vinyl edge (C)</i>		
2U	light brown walnut	+\$230
40	dark brown walnut	+\$230
9N	santos palisander	+\$976
A2	white ash	+\$230
CHD	noble cherry	+\$230
EN	ebony	+\$230
OU	walnut	+\$230
UL	natural maple	+\$230
WHN	natural white oak	+\$230

Eames® Low Conference Table,
Round *continued*

Eames® Tables

Top Finish: Wood Veneer		
<i>For 60" diameter (25) with veneer top with vinyl edge (C)</i>		
2U	light brown walnut	+\$365
40	dark brown walnut	+\$365
9N	santos palisander	+\$2044
A2	white ash	+\$365
CHD	noble cherry	+\$365
EN	ebony	+\$365
OU	walnut	+\$365
UL	natural maple	+\$365
WHN	natural white oak	+\$365

Top Finish: Wood Veneer		
<i>For 66" diameter (26) with veneer top with vinyl edge (C)</i>		
2U	light brown walnut	+\$365
40	dark brown walnut	+\$365
9N	santos palisander	+\$2044
A2	white ash	+\$365
CHD	noble cherry	+\$365
EN	ebony	+\$365
OU	walnut	+\$365
UL	natural maple	+\$365
WHN	natural white oak	+\$365

Top Finish: Wood Veneer		
<i>For 72" diameter (27) with veneer top with vinyl edge (C)</i>		
2U	light brown walnut	+\$365
40	dark brown walnut	+\$365
9N	santos palisander	+\$2044
A2	white ash	+\$365
CHD	noble cherry	+\$365
EN	ebony	+\$365
OU	walnut	+\$365
UL	natural maple	+\$365
WHN	natural white oak	+\$365

Top Finish: Wood Veneer		
<i>For 84" diameter (29) with veneer top with vinyl edge (C)</i>		
2U	light brown walnut	+\$425
40	dark brown walnut	+\$425
9N	santos palisander	+\$2380
A2	white ash	+\$425
CHD	noble cherry	+\$425
EN	ebony	+\$425
OU	walnut	+\$425
UL	natural maple	+\$425
WHN	natural white oak	+\$425

Top Finish: Wood Veneer		
<i>For 96" diameter (31) with veneer top with vinyl edge (C)</i>		
2U	light brown walnut	+\$495
40	dark brown walnut	+\$495
9N	santos palisander	+\$2782
A2	white ash	+\$495
CHD	noble cherry	+\$495
EN	ebony	+\$495
OU	walnut	+\$495
UL	natural maple	+\$495
WHN	natural white oak	+\$495

Top/Edge Finish		
<i>For 30" diameter (07) with veneer top with veneer edge (W)</i>		
2U	light brown walnut	+\$105
40	dark brown walnut	+\$105
9N	santos palisander	+\$380
A2	white ash	+\$105
CHD	noble cherry	+\$105
EN	ebony	+\$105
OU	walnut	+\$105
UL	natural maple	+\$105
WHN	natural white oak	+\$105

Top/Edge Finish		
<i>For 36" diameter (08) with veneer top with veneer edge (W)</i>		
2U	light brown walnut	+\$105
40	dark brown walnut	+\$105
9N	santos palisander	+\$380
A2	white ash	+\$105
CHD	noble cherry	+\$105
EN	ebony	+\$105
OU	walnut	+\$105
UL	natural maple	+\$105
WHN	natural white oak	+\$105

Top/Edge Finish		
<i>For 42" diameter (22) with veneer top with veneer edge (W)</i>		
2U	light brown walnut	+\$130
40	dark brown walnut	+\$130
9N	santos palisander	+\$720
A2	white ash	+\$130
CHD	noble cherry	+\$130
EN	ebony	+\$130
OU	walnut	+\$130
UL	natural maple	+\$130
WHN	natural white oak	+\$130

Eames® Low Conference Table,
Round *continued*

Top/Edge Finish		
<i>For 48" diameter (23) with veneer top with veneer edge (W)</i>		
2U	light brown walnut	+\$175
40	dark brown walnut	+\$175
9N	santos palisander	+\$839
A2	white ash	+\$175
CHD	noble cherry	+\$175
EN	ebony	+\$175
OU	walnut	+\$175
UL	natural maple	+\$175
WHN	natural white oak	+\$175

Top/Edge Finish		
<i>For 54" diameter (24) with veneer top with veneer edge (W)</i>		
2U	light brown walnut	+\$230
40	dark brown walnut	+\$230
9N	santos palisander	+\$976
A2	white ash	+\$230
CHD	noble cherry	+\$230
EN	ebony	+\$230
OU	walnut	+\$230
UL	natural maple	+\$230
WHN	natural white oak	+\$230

Top/Edge Finish		
<i>For 60" diameter (25) with veneer top with veneer edge (W)</i>		
2U	light brown walnut	+\$365
40	dark brown walnut	+\$365
9N	santos palisander	+\$2044
A2	white ash	+\$365
CHD	noble cherry	+\$365
EN	ebony	+\$365
OU	walnut	+\$365
UL	natural maple	+\$365
WHN	natural white oak	+\$365

Top/Edge Finish		
<i>For 66" diameter (26) with veneer top with veneer edge (W)</i>		
2U	light brown walnut	+\$365
40	dark brown walnut	+\$365
9N	santos palisander	+\$2044
A2	white ash	+\$365
CHD	noble cherry	+\$365
EN	ebony	+\$365
OU	walnut	+\$365
UL	natural maple	+\$365
WHN	natural white oak	+\$365

Top/Edge Finish		
<i>For 72" diameter (27) with veneer top with veneer edge (W)</i>		
2U	light brown walnut	+\$365
40	dark brown walnut	+\$365
9N	santos palisander	+\$2044
A2	white ash	+\$365
CHD	noble cherry	+\$365
EN	ebony	+\$365
OU	walnut	+\$365
UL	natural maple	+\$365
WHN	natural white oak	+\$365

Top/Edge Finish		
<i>For 84" diameter (29) with veneer top with veneer edge (W)</i>		
2U	light brown walnut	+\$425
40	dark brown walnut	+\$425
9N	santos palisander	+\$2380
A2	white ash	+\$425
CHD	noble cherry	+\$425
EN	ebony	+\$425
OU	walnut	+\$425
UL	natural maple	+\$425
WHN	natural white oak	+\$425

Top/Edge Finish		
<i>For 96" diameter (31) with veneer top with veneer edge (W)</i>		
2U	light brown walnut	+\$495
40	dark brown walnut	+\$495
9N	santos palisander	+\$2782
A2	white ash	+\$495
CHD	noble cherry	+\$495
EN	ebony	+\$495
OU	walnut	+\$495
UL	natural maple	+\$495
WHN	natural white oak	+\$495

Eames® Low Conference Table,
Round *continued*

Eames® Tables

Step 8. Edge Finish		
<i>For high-pressure laminate top with vinyl edge (L) or veneer top with vinyl edge (C)</i>		
8Q	folkstone grey (CP)	+\$0
91	white (CP)	+\$0
98	studio white (CP)	+\$0
BK	black	+\$0
CL	cool grey neutral	+\$0
HF	inner tone light	+\$0
LT	light tone	+\$0
LU	soft white	+\$0
SG	slate grey	+\$0
WL	warm stone (CP)	+\$0
WN	warm grey neutral	+\$0

Step 9. Grommet Finish		
<i>For 30" diameter (07) or 36" diameter (08) with high-pressure laminate top with vinyl edge (L), veneer top with vinyl edge (C), or veneer top with veneer edge (W), or thin profile HPL top with black edge (M), or back-painted glass top (G) with single center cutout (CC)</i>		
PA	polished aluminum	+\$0

<i>For 30" diameter (07) or 36" diameter (08) with solid wood top (SW) with single center cutout (CC)</i>		
NF	no finish <input type="checkbox"/>	+\$0

<i>For 42" diameter (22), 48" diameter (23), 54" diameter (24), 60" diameter (25), 66" diameter (26), 72" diameter (27), 84" diameter (29), or 96" diameter (31) with high-pressure laminate top with vinyl edge (L), or veneer top with vinyl edge (C), or veneer top with veneer edge (W), or thin profile HPL top with black edge (M), or back-painted glass top (G) with four cutouts (C4), or single center cutout (CC)</i>		
91	white (CP)	+\$0
BK	black	+\$0
PA	polished aluminum	+\$0

<i>For 42" diameter (22) with solid wood top (SW) with single center cutout (CC)</i>		
91	white (CP) <input type="checkbox"/>	+\$0
BK	black <input type="checkbox"/>	+\$0
PA	polished aluminum <input type="checkbox"/>	+\$0

Step 10. Column Finish		
611	beige mist metallic (CP)	+\$0
613	silver (CP)	+\$0
G1	graphite (CP)	+\$0
91	white (CP)	+\$0
BK	black	+\$0
CL	cool grey neutral	+\$0
EH	metallic bronze	+\$0
HF	inner tone light	+\$0
LT	light tone	+\$0
LU	soft white	+\$0
MT	medium tone	+\$0
SG	slate grey	+\$0
WN	warm grey neutral	+\$0

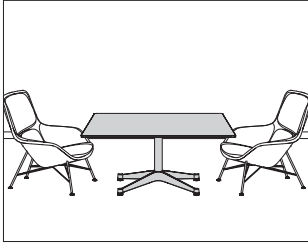
Step 11. Base Finish		
611	beige mist metallic (CP)	+\$0
613	silver (CP)	+\$0
G1	graphite (CP)	+\$0
91	white (CP)	+\$0
BK	black	+\$0
CL	cool grey neutral	+\$0
EH	metallic bronze	+\$0
HF	inner tone light	+\$0
LT	light tone	+\$0
LU	soft white	+\$0
MT	medium tone	+\$0
PA	polished aluminum	+\$0
SG	slate grey	+\$0
WN	warm grey neutral	+\$0

Step 12. Casters/Glides		
<i>For 30" diameter (07), 36" diameter (08), 42" diameter (22), 48" diameter (23), or 54" diameter (24) with high-pressure laminate top with vinyl edge (L), or veneer top with vinyl edge (C), or veneer top with veneer edge (W), or thin profile HPL top with black edge (M), or solid wood top (SW)</i>		
G	glides	+\$0

<i>For 30" diameter (07), 36" diameter (08), 42" diameter (22), 48" diameter (23), 54" diameter (24), 60" diameter (25), 66" diameter (26), 72" diameter (27), 84" diameter (29), or 96" diameter (31) with high-pressure laminate top with vinyl edge (L), or veneer top with vinyl edge (C), or veneer top with veneer edge (W), or back-painted glass top (G)</i>		
G	glides	+\$0

Eames® Low Conference Table,
Square

ET204
ET205
ET206
ET248



Product Information

Description

This table has a laminate or veneer top with vinyl edge, a veneer top and edge, a thin-profile HPL top with black edge, a back-painted glass top with modified bullnose edge, or a solid wood top. Table may be specified with cutouts to accommodate simple power options (specified separately). Each table has adjustable glides. Shipped knocked down.

Notes

Tables have a 1-piece top and single column base.

Laminate and veneer tops are 7/8" thick.

Thin profile HPL tops are 1/2" thick.

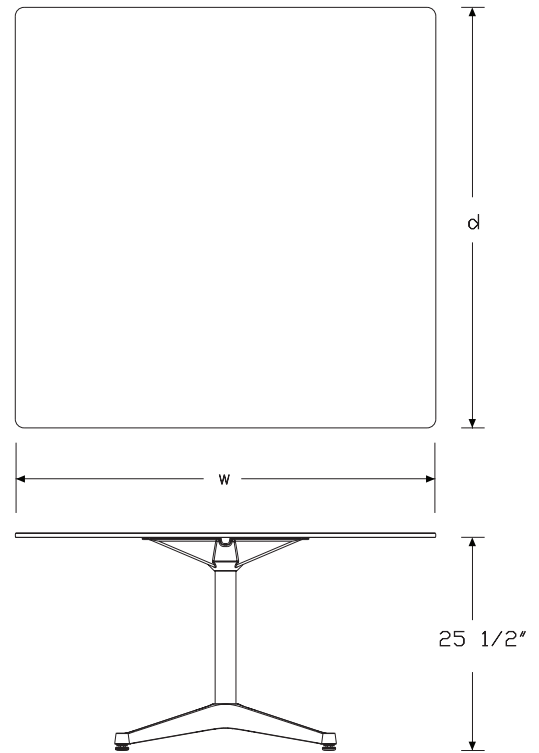
Glass tops are back-painted, with a satin etch finish to reduce the appearance of fingerprints. Tops are 1/2" thick.

30" and 36" tables may only accommodate USB access. Single center cutout (CC) grommet option must be specified. Grommet option is a non-functional hole plug. For USB access, order round dual USB charging unit (ET990.) separately.

42" and 48" tables may accommodate power. Single center cutout (CC) grommet option must be specified. Grommet provides simple pass-through with wire management features and a hinged lid. For power access, order round power module (ET991.) separately.

Santos palisander veneer is celebrated for its unique grain and color variations. Similar products ordered in multiples or dissimilar products ordered separately should be expected to have variation in both grain and color characteristics; no two products will look exactly alike.

Dimensions



Contract Base



Universal Base

Eames® Low Conference Table,
Square *continued*

Eames® Tables

Specification Information	
Step 1.	
ET	
Step 2. Height	
2	25½" high
Step 3. Depth/Width	
04	30" deep x 30" wide
05	36" deep x 36" wide
06	42" deep x 42" wide
48	48" deep x 48" wide
Step 4. Base	
<i>For 30" deep x 30" wide (04) or 36" deep x 36" wide (05)</i>	
C	contract base
U	universal base
<i>For 42" deep x 42" wide (06) or 48" deep x 48" wide (48)</i>	
C	contract base
Step 5. Surface Material	
<i>For 30" deep x 30" wide (04), 36" deep x 36" wide (05), or 42" deep x 42" wide (06)</i>	
L	high-pressure laminate top with vinyl edge
C	veneer top with vinyl edge
W	veneer top with veneer edge
M	thin profile HPL top with black edge
G	back-painted glass top
SW	solid wood top
<i>For 48" deep x 48" wide (48)</i>	
L	high-pressure laminate top with vinyl edge
C	veneer top with vinyl edge
W	veneer top with veneer edge
M	thin profile HPL top with black edge
G	back-painted glass top
Step 6. Grommets	
NG	no grommet
CC	single center cutout

Prices for Steps 1-6.				
			NG	CC
ET204	C	L	\$1271	1338
		C	\$1493	1558
		W	\$1683	1749
		M	\$2319	2434
		G	\$5070	5690
		SW	\$4459	5130
	U	L	\$1271	1338
		C	\$1493	1558
		W	\$1683	1749
		M	\$2319	2434
		G	\$5070	5690
		SW	\$4459	5130
			NG	CC
ET205	C	L	\$1476	1546
		C	\$1712	1780
		W	\$1977	2044
		M	\$3025	3143
		G	\$6573	7178
		SW	\$6145	6816
	U	L	\$1476	1546
		C	\$1712	1780
		W	\$1977	2044
		M	\$3025	3143
		G	\$6573	7178
		SW	\$6145	6816
			NG	CC
ET206	C	L	\$1875	2214
		C	\$2156	2493
		W	\$2420	2759
		M	\$4777	5117
		G	\$8517	9312
		SW	\$7269	7940
			NG	CC
ET248	C	L	\$2065	2407
		C	\$2362	2701
		W	\$2613	2950
		M	\$4893	5235
		G	\$10537	11344

Eames® Low Conference Table,
Square *continued*

Step 7.

Top Finish: Finish		
<i>For back-painted glass top (G)</i>		
8Q	folkstone grey (CP)	+\$0
91	white (CP)	+\$0
BK	black	+\$0
WN	warm grey neutral	+\$0

Top Finish		
<i>For high-pressure laminate top with vinyl edge (L)</i>		
8Q	folkstone grey (CP)	+\$0
91	white (CP)	+\$0
98	studio white (CP)	+\$0
BKM	black matte	+\$0
CL	cool grey neutral	+\$0
HF	inner tone light	+\$0
LT	light tone	+\$0
LU	soft white	+\$0
WL	warm stone (CP)	+\$0
WN	warm grey neutral	+\$0

Top Finish: Finish		
<i>For thin profile HPL top with black edge (M)</i>		
91	white (CP)	+\$0
G1	graphite (CP)	+\$0
BK	black	+\$0

Top Finish		
<i>For 30" deep x 30" wide (04) with solid wood top (SW)</i>		
OU	walnut <input type="checkbox"/>	+\$335
WHN	natural white oak <input type="checkbox"/>	+\$0

Top Finish		
<i>For 36" deep x 36" wide (05) with solid wood top (SW)</i>		
OU	walnut <input type="checkbox"/>	+\$480
WHN	natural white oak <input type="checkbox"/>	+\$0

Top Finish		
<i>For 42" deep x 42" wide (06) with solid wood top (SW)</i>		
OU	walnut <input type="checkbox"/>	+\$580
WHN	natural white oak <input type="checkbox"/>	+\$0

Top Finish: Wood Veneer		
<i>For 30" deep x 30" wide (04) or 36" deep x 36" wide (05) with veneer top with vinyl edge (C)</i>		
2U	light brown walnut	+\$105
40	dark brown walnut	+\$105
9N	santos palisander	+\$380
A2	white ash	+\$105
CHD	noble cherry	+\$105
EN	ebony	+\$105
OU	walnut	+\$105
UL	natural maple	+\$105
WHN	natural white oak	+\$0

Top Finish: Wood Veneer		
<i>For 42" deep x 42" wide (06) with veneer top with vinyl edge (C)</i>		
2U	light brown walnut	+\$130
40	dark brown walnut	+\$130
9N	santos palisander	+\$720
A2	white ash	+\$130
CHD	noble cherry	+\$130
EN	ebony	+\$130
OU	walnut	+\$130
UL	natural maple	+\$130
WHN	natural white oak	+\$0

Top Finish: Wood Veneer		
<i>For 48" deep x 48" wide (48) with veneer top with vinyl edge (C)</i>		
2U	light brown walnut	+\$175
40	dark brown walnut	+\$175
9N	santos palisander	+\$839
A2	white ash	+\$175
CHD	noble cherry	+\$175
EN	ebony	+\$175
OU	walnut	+\$175
UL	natural maple	+\$175
WHN	natural white oak	+\$0

Eames® Low Conference Table,
Square *continued*

Eames® Tables

Top/Edge Finish		
<i>For 30" deep x 30" wide (04) or 36" deep x 36" wide (05) with veneer top with veneer edge (W)</i>		
2U	light brown walnut	+\$105
40	dark brown walnut	+\$105
9N	santos palisander	+\$380
A2	white ash	+\$105
CHD	noble cherry	+\$105
EN	ebony	+\$105
OU	walnut	+\$105
UL	natural maple	+\$105
WHN	natural white oak	+\$0

Top/Edge Finish		
<i>For 42" deep x 42" wide (06) with veneer top with veneer edge (W)</i>		
2U	light brown walnut	+\$130
40	dark brown walnut	+\$130
9N	santos palisander	+\$720
A2	white ash	+\$130
CHD	noble cherry	+\$130
EN	ebony	+\$130
OU	walnut	+\$130
UL	natural maple	+\$130
WHN	natural white oak	+\$0

Top/Edge Finish		
<i>For 48" deep x 48" wide (48) with veneer top with veneer edge (W)</i>		
2U	light brown walnut	+\$175
40	dark brown walnut	+\$175
9N	santos palisander	+\$839
A2	white ash	+\$175
CHD	noble cherry	+\$175
EN	ebony	+\$175
OU	walnut	+\$175
UL	natural maple	+\$175
WHN	natural white oak	+\$0

Step 8. Edge Finish		
<i>For high-pressure laminate top with vinyl edge (L) or veneer top with vinyl edge (C)</i>		
8Q	folkstone grey (CP)	+\$0
91	white (CP)	+\$0
98	studio white (CP)	+\$0
BK	black	+\$0
CL	cool grey neutral	+\$0
HF	inner tone light	+\$0
LT	light tone	+\$0
LU	soft white	+\$0
SG	slate grey	+\$0
WL	warm stone (CP)	+\$0
WN	warm grey neutral	+\$0

Step 9. Grommet Finish		
Finish		
<i>For 30" deep x 30" wide (04) or 36" deep x 36" wide (05) with high-pressure laminate top with vinyl edge (L), veneer top with vinyl edge (C), or veneer top with veneer edge (W), or thin profile HPL top with black edge (M), or back-painted glass top (G) with single center cutout (CC)</i>		
PA	polished aluminum	+\$0

<i>For 30" deep x 30" wide (04) or 36" deep x 36" wide (05) with solid wood top (SW) with single center cutout (CC)</i>		
NF	no finish <input type="checkbox"/>	+\$0

<i>For 42" deep x 42" wide (06) or 48" deep x 48" wide (48) with high-pressure laminate top with vinyl edge (L), veneer top with vinyl edge (C), or veneer top with veneer edge (W), or thin profile HPL top with black edge (M), or back-painted glass top (G) with single center cutout (CC)</i>		
91	white (CP)	+\$0
BK	black	+\$0
PA	polished aluminum	+\$0

<i>For 42" deep x 42" wide (06) with solid wood top (SW) with single center cutout (CC)</i>		
91	white (CP) <input type="checkbox"/>	+\$0
BK	black <input type="checkbox"/>	+\$0
PA	polished aluminum <input type="checkbox"/>	+\$0

Eames® Low Conference Table,
Square *continued*

Step 10. Column Finish

611	beige mist metallic (CP)	+\$0
613	silver (CP)	+\$0
G1	graphite (CP)	+\$0
91	white (CP)	+\$0
BK	black	+\$0
CL	cool grey neutral	+\$0
EH	metallic bronze	+\$0
HF	inner tone light	+\$0
LT	light tone	+\$0
LU	soft white	+\$0
MT	medium tone	+\$0
SG	slate grey	+\$0
WN	warm grey neutral	+\$0

Step 11. Base Finish

611	beige mist metallic (CP)	+\$0
613	silver (CP)	+\$0
G1	graphite (CP)	+\$0
91	white (CP)	+\$0
BK	black	+\$0
CL	cool grey neutral	+\$0
EH	metallic bronze	+\$0
HF	inner tone light	+\$0
LT	light tone	+\$0
LU	soft white	+\$0
MT	medium tone	+\$0
PA	polished aluminum	+\$0
SG	slate grey	+\$0
WN	warm grey neutral	+\$0

Step 12. Casters/Glides

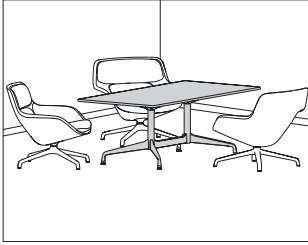
For high-pressure laminate top with vinyl edge (L), veneer top with vinyl edge (C), veneer top with veneer edge (W), thin profile HPL top with black edge (M), or solid wood top (SW)

G	glides	+\$0
----------	--------	------

For back-painted glass top (G)

G	glides	+\$0
----------	--------	------

Eames® Low Conference Table, Rectangular



ET242
ET243
ET244
ET245
ET247
ET250
ET251
ET252
ET254

ET255
ET256
ET257
ET287
ET288
ET289

Product Information

Description

This table has a laminate or veneer top with vinyl edge, a veneer top and edge, a thin-profile HPL top with black edge, a back-painted glass top with modified bullnose edge, or a solid wood top. Table may be specified with cutouts to accommodate simple power options (specified separately). Each table has adjustable glides or casters. Shipped knocked down.

Notes

60"-wide to 96"-wide tables have a 1-piece top and 2-column segmented base. 108"-wide tables have 1-piece (laminate) or 2-piece (veneer) tops and a 2-column segmented base.

For 108" wide veneer tables, tops are shipped in 2 equal pieces.

Laminate and veneer tops are 1 1/4" thick.

Thin profile HPL tops are 1/2" thick.

Glass tops are back-painted, with a satin etch finish to reduce the appearance of fingerprints. Tops up to 42"×78" are 1/2" thick; tops 42"×84" to 54"×108" are 3/8" thick with a Formcoat® substructure.

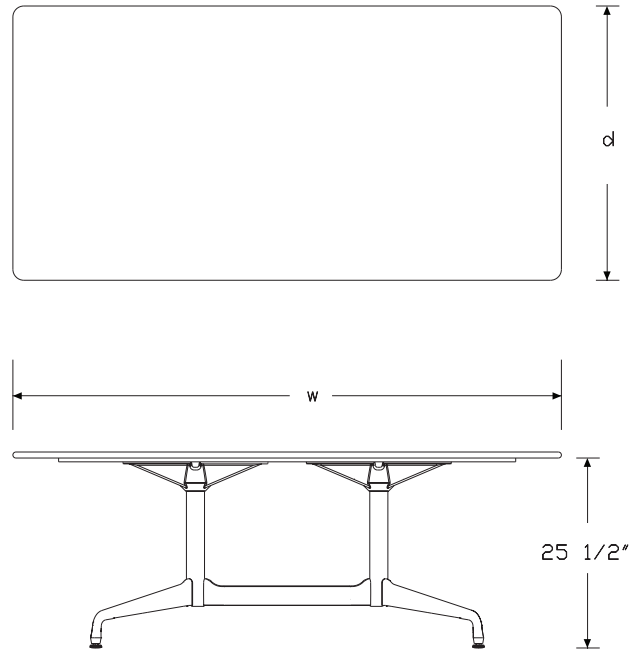
Tables may be specified with cutouts for power in various configurations. Round cutouts align with columns, and oval cutouts are centered between columns.

Order the following compatible power components separately:

- Round power module (ET991.)
- Oval power module (ET992.)

Santos palisander veneer is celebrated for its unique grain and color variations. Similar products ordered in multiples or dissimilar products ordered separately should be expected to have variation in both grain and color characteristics; no two products will look exactly alike.

Dimensions



Segmented Base

Eames® Low Conference Table,
Rectangular *continued*

Specification Information

Step 1.

ET

Step 2. Height

2 25½" high

Step 3. Depth/Width

87R 30" deep x 60" wide
 88R 30" deep x 72" wide
 42R 36" deep x 60" wide
 43R 36" deep x 72" wide
 44R 36" deep x 84" wide
 89R 36" deep x 96" wide
 50R 42" deep x 66" wide
 51R 42" deep x 72" wide
 52R 42" deep x 78" wide
 45R 42" deep x 84" wide
 54R 48" deep x 84" wide
 47R 48" deep x 96" wide
 55R 54" deep x 90" wide
 56R 54" deep x 96" wide
 57R 54" deep x 108" wide

Step 4. Base

S segmented base

Step 5. Surface Material

For 30" deep x 60" wide (87R), 30" deep x 72" wide (88R), 36" deep x 60" wide (42R), or 36" deep x 72" wide (43R)

L high-pressure laminate top with vinyl edge
 C veneer top with vinyl edge
 W veneer top with veneer edge
 M thin profile HPL top with black edge
 G back-painted glass top
 SW solid wood top

For 36" deep x 84" wide (44R), 36" deep x 96" wide (89R), 42" deep x 66" wide (50R), 42" deep x 72" wide (51R), 42" deep x 78" wide (52R), 42" deep x 84" wide (45R), 48" deep x 84" wide (54R), or 48" deep x 96" wide (47R)

L high-pressure laminate top with vinyl edge A
 C veneer top with vinyl edge A
 W veneer top with veneer edge A
 M thin profile HPL top with black edge A
 G back-painted glass top A

For 54" deep x 90" wide (55R), 54" deep x 96" wide (56R), or 54" deep x 108" wide (57R)

L high-pressure laminate top with vinyl edge
 C veneer top with vinyl edge
 W veneer top with veneer edge
 G back-painted glass top

Step 6. Grommets

NG no grommet
 C2 2 round cutouts, over columns
 CR single centered oval cutout
 CA 2 round cutouts and center oval cutout

Prices for Steps 1-6.

		NG	C2	CR	CA
ET287R S	L	\$2454	3130	2791	3467
	C	\$3008	3687	3348	4024
	W	\$3245	3920	3584	4263
	M	\$4688	5366	5026	5705
	G	\$9802	10951	11008	12170
	SW	\$6857	8202	7597	8272

		NG	C2	CR	CA
ET288R S	L	\$2630	3308	2968	3645
	C	\$3274	3951	3613	4291
	W	\$3628	4306	3967	4645
	M	\$4719	5395	5056	5736
	G	\$11053	12216	12259	13424
	SW	\$7394	8738	8135	8809

		NG	C2	CR	CA
ET242R S	L	\$2770	3450	3111	3790
	C	\$3348	4024	3687	4365
	W	\$3636	4313	3973	4650
	M	\$5690	6366	6031	6707
	G	\$11053	12216	12259	13424
	SW	\$8437	9781	9175	9852

		NG	C2	CR	CA
ET243R S	L	\$2841	3519	3180	3859
	C	\$3451	4127	3791	4468
	W	\$3791	4468	4127	4808
	M	\$5720	6396	6060	6737
	G	\$12554	13703	13760	14928
	SW	\$9008	9781	9748	10422

Eames® Low Conference Table,
Rectangular *continued*

Eames® Tables

		NG	C2	CR	CA
ET244R S	L	\$2971	3648	3311	3988
	C	\$3716	4395	4055	4732
	W	\$4145	4822	4481	5159
	M	\$5765	6442	6102	6779
	G	\$14042	15207	15263	16413

		NG	C2	CR	CA
ET289R S	L	\$3181	3860	3521	4198
	C	\$3951	4629	4291	4968
	W	\$4263	4938	4600	5277
	M	\$5793	6471	6132	6810
	G	\$15644	16813	16871	18020

		NG	C2	CR	CA
ET250R S	L	\$3318	3995	3656	4332
	C	\$3850	4527	4187	4863
	W	\$4333	5014	4674	5350
	M	\$5736	6412	6073	6750
	G	\$13143	14309	14367	15517

		NG	C2	CR	CA
ET251R S	L	\$3416	4094	3758	4432
	C	\$3902	4582	4241	4918
	W	\$4375	5053	4714	5390
	M	\$5748	6425	6088	6766
	G	\$14042	15207	15263	16413

		NG	C2	CR	CA
ET252R S	L	\$3489	4169	3829	4505
	C	\$4084	4760	4422	5100
	W	\$4525	5204	4862	5540
	M	\$9255	9932	9594	10271
	G	\$14958	16104	16164	17326

		NG	C2	CR	CA
ET245R S	L	\$3532	4209	3869	4549
	C	\$4124	4806	4465	5142
	W	\$4577	5256	4916	5592
	M	\$9255	9932	9594	10271
	G	\$16353	18298	18092	20051

		NG	C2	CR	CA
ET254R S	L	\$3973	4650	4313	4990
	C	\$4585	5262	4921	5599
	W	\$5025	5704	5365	6041
	M	\$9287	9962	9622	10301
	G	\$18401	20362	20154	22098

		NG	C2	CR	CA
ET247R S	L	\$4058	4737	4400	5075
	C	\$4678	5355	5018	5694
	W	\$5195	5873	5532	6209
	M	\$9328	10007	9666	10345
	G	\$20759	22746	22511	24456

		NG	C2	CR	CA
ET255R S	L	\$4814	5490	5153	5831
	C	\$5467	6145	5804	6484
	W	\$6056	6734	6394	7071
	G	\$21773	23735	23632	25487

		NG	C2	CR	CA
ET256R S	L	\$4876	5552	5212	5890
	C	\$5644	6320	5981	6660
	W	\$6306	6984	6644	7323
	G	\$23100	25060	24854	26812

		NG	C2	CR	CA
ET257R S	L	\$6343	7019	6678	7357
	C	\$7065	7742	7407	8083
	W	\$7838	8516	8180	8856
	G	\$25751	27712	27507	29463

Step 7.

Top Finish: Finish		
<i>For back-painted glass top (G)</i>		
8Q	folkstone grey (CP)	+\$0
91	white (CP)	+\$0
BK	black	+\$0
WN	warm grey neutral	+\$0

Top Finish: Finish		
<i>For thin profile HPL top with black edge (M)</i>		
91	white (CP)	+\$0
G1	graphite (CP)	+\$0
BK	black	+\$0

Eames® Low Conference Table,
Rectangular *continued*

Top Finish: Solid-Color Laminate		
<i>For high-pressure laminate top with vinyl edge (L)</i>		
8Q	folkstone grey (CP)	+\$0
91	white (CP)	+\$0
98	studio white (CP)	+\$0
BKM	black matte	+\$0
CL	cool grey neutral	+\$0
HF	inner tone light	+\$0
LT	light tone	+\$0
LU	soft white	+\$0
WL	warm stone (CP)	+\$0
WN	warm grey neutral	+\$0

Top Finish: Wood Veneer		
<i>For 30" deep x 60" wide (87R) with veneer top with vinyl edge (C)</i>		
2U	light brown walnut	+\$250
40	dark brown walnut	+\$250
9N	santos palisander	+\$950
A2	white ash	+\$250
CHD	noble cherry	+\$250
EN	ebony	+\$250
OU	walnut	+\$250
UL	natural maple	+\$250
WHN	natural white oak	+\$0

Top Finish		
<i>For 30" deep x 60" wide (87R) with solid wood top (SW)</i>		
OU	walnut <input type="checkbox"/> A	+\$585
WHN	natural white oak <input type="checkbox"/> A	+\$0

Top Finish		
<i>For 30" deep x 72" wide (88R) with solid wood top (SW)</i>		
OU	walnut <input type="checkbox"/> A	+\$675
WHN	natural white oak <input type="checkbox"/> A	+\$0

Top Finish		
<i>For 36" deep x 60" wide (42R) with solid wood top (SW)</i>		
OU	walnut <input type="checkbox"/> A	+\$700
WHN	natural white oak <input type="checkbox"/> A	+\$0

Top Finish		
<i>For 36" deep x 72" wide (43R) with solid wood top (SW)</i>		
OU	walnut <input type="checkbox"/> A	+\$815
WHN	natural white oak <input type="checkbox"/> A	+\$0

Top Finish: Wood Veneer		
<i>For 30" deep x 72" wide (88R) with veneer top with vinyl edge (C)</i>		
2U	light brown walnut	+\$265
40	dark brown walnut	+\$265
9N	santos palisander	+\$1009
A2	white ash	+\$265
CHD	noble cherry	+\$265
EN	ebony	+\$265
OU	walnut	+\$265
UL	natural maple	+\$265
WHN	natural white oak	+\$0

Top Finish: Wood Veneer		
<i>For 36" deep x 60" wide (42R) with veneer top with vinyl edge (C)</i>		
2U	light brown walnut	+\$265
40	dark brown walnut	+\$265
9N	santos palisander	+\$1009
A2	white ash	+\$265
CHD	noble cherry	+\$265
EN	ebony	+\$265
OU	walnut	+\$265
UL	natural maple	+\$265
WHN	natural white oak	+\$0

Top Finish: Wood Veneer		
<i>For 36" deep x 72" wide (43R) with veneer top with vinyl edge (C)</i>		
2U	light brown walnut	+\$290
40	dark brown walnut	+\$290
9N	santos palisander	+\$1104
A2	white ash	+\$290
CHD	noble cherry	+\$290
EN	ebony	+\$290
OU	walnut	+\$290
UL	natural maple	+\$290
WHN	natural white oak	+\$0

Top Finish: Wood Veneer		
<i>For 36" deep x 84" wide (44R) with veneer top with vinyl edge (C)</i>		
2U	light brown walnut	+\$305
40	dark brown walnut	+\$305
9N	santos palisander	+\$1161
A2	white ash	+\$305
CHD	noble cherry	+\$305
EN	ebony	+\$305
OU	walnut	+\$305
UL	natural maple	+\$305
WHN	natural white oak	+\$0

Eames® Low Conference Table,
Rectangular *continued*

Eames® Tables

Top Finish: Wood Veneer		
<i>For 36" deep x 96" wide (89R) with veneer top with vinyl edge (C)</i>		
2U	light brown walnut	+\$330
40	dark brown walnut	+\$330
9N	santos palisander	+\$1420
A2	white ash	+\$330
CHD	noble cherry	+\$330
EN	ebony	+\$330
OU	walnut	+\$330
UL	natural maple	+\$330
WHN	natural white oak	+\$0

Top Finish: Wood Veneer		
<i>For 42" deep x 66" wide (50R) with veneer top with vinyl edge (C)</i>		
2U	light brown walnut	+\$290
40	dark brown walnut	+\$290
9N	santos palisander	+\$1160
A2	white ash	+\$290
CHD	noble cherry	+\$290
EN	ebony	+\$290
OU	walnut	+\$290
UL	natural maple	+\$290
WHN	natural white oak	+\$0

Top Finish: Wood Veneer		
<i>For 42" deep x 72" wide (51R) with veneer top with vinyl edge (C)</i>		
2U	light brown walnut	+\$305
40	dark brown walnut	+\$305
9N	santos palisander	+\$1220
A2	white ash	+\$305
CHD	noble cherry	+\$305
EN	ebony	+\$305
OU	walnut	+\$305
UL	natural maple	+\$305
WHN	natural white oak	+\$0

Top Finish: Wood Veneer		
<i>For 42" deep x 78" wide (52R) with veneer top with vinyl edge (C)</i>		
2U	light brown walnut	+\$330
40	dark brown walnut	+\$330
9N	santos palisander	+\$1320
A2	white ash	+\$330
CHD	noble cherry	+\$330
EN	ebony	+\$330
OU	walnut	+\$330
UL	natural maple	+\$330
WHN	natural white oak	+\$0

Top Finish: Wood Veneer		
<i>For 42" deep x 84" wide (45R) with veneer top with vinyl edge (C)</i>		
2U	light brown walnut	+\$330
40	dark brown walnut	+\$330
9N	santos palisander	+\$1320
A2	white ash	+\$330
CHD	noble cherry	+\$330
EN	ebony	+\$330
OU	walnut	+\$330
UL	natural maple	+\$330
WHN	natural white oak	+\$0

Top Finish: Wood Veneer		
<i>For 48" deep x 84" wide (54R) with veneer top with vinyl edge (C)</i>		
2U	light brown walnut	+\$385
40	dark brown walnut	+\$385
9N	santos palisander	+\$1656
A2	white ash	+\$385
CHD	noble cherry	+\$385
EN	ebony	+\$385
OU	walnut	+\$385
UL	natural maple	+\$385
WHN	natural white oak	+\$0

Top Finish: Wood Veneer		
<i>For 48" deep x 96" wide (47R) with veneer top with vinyl edge (C)</i>		
2U	light brown walnut	+\$385
40	dark brown walnut	+\$385
9N	santos palisander	+\$1656
A2	white ash	+\$385
CHD	noble cherry	+\$385
EN	ebony	+\$385
OU	walnut	+\$385
UL	natural maple	+\$385
WHN	natural white oak	+\$0

Top Finish: Wood Veneer		
<i>For 54" deep x 90" wide (55R) with veneer top with vinyl edge (C)</i>		
2U	light brown walnut	+\$425
40	dark brown walnut	+\$425
9N	santos palisander	+\$1700
A2	white ash	+\$425
CHD	noble cherry	+\$425
EN	ebony	+\$425
OU	walnut	+\$425
UL	natural maple	+\$425
WHN	natural white oak	+\$0

Eames® Low Conference Table,
 Rectangular *continued*

Top Finish: Wood Veneer		
<i>For 54" deep x 96" wide (56R) with veneer top with vinyl edge (C)</i>		
2U	light brown walnut	+\$440
40	dark brown walnut	+\$440
9N	santos palisander	+\$1760
A2	white ash	+\$440
CHD	noble cherry	+\$440
EN	ebony	+\$440
OU	walnut	+\$440
UL	natural maple	+\$440
WHN	natural white oak	+\$0

Top/Edge Finish		
<i>For 36" deep x 60" wide (42R) with veneer top with veneer edge (W)</i>		
2U	light brown walnut	+\$265
40	dark brown walnut	+\$265
9N	santos palisander	+\$1009
A2	white ash	+\$265
CHD	noble cherry	+\$265
EN	ebony	+\$265
OU	walnut	+\$265
UL	natural maple	+\$265
WHN	natural white oak	+\$0

Top Finish: Wood Veneer		
<i>For 54" deep x 108" wide (57R) with veneer top with vinyl edge (C)</i>		
2U	light brown walnut	+\$500
40	dark brown walnut	+\$500
9N	santos palisander	+\$2350
A2	white ash	+\$500
CHD	noble cherry	+\$500
EN	ebony	+\$500
OU	walnut	+\$500
UL	natural maple	+\$500
WHN	natural white oak	+\$0

Top/Edge Finish		
<i>For 36" deep x 72" wide (43R) with veneer top with veneer edge (W)</i>		
2U	light brown walnut	+\$290
40	dark brown walnut	+\$290
9N	santos palisander	+\$1104
A2	white ash	+\$290
CHD	noble cherry	+\$290
EN	ebony	+\$290
OU	walnut	+\$290
UL	natural maple	+\$290
WHN	natural white oak	+\$0

Top/Edge Finish		
<i>For 30" deep x 60" wide (87R) with veneer top with veneer edge (W)</i>		
2U	light brown walnut	+\$250
40	dark brown walnut	+\$250
9N	santos palisander	+\$950
A2	white ash	+\$250
CHD	noble cherry	+\$250
EN	ebony	+\$250
OU	walnut	+\$250
UL	natural maple	+\$250
WHN	natural white oak	+\$0

Top/Edge Finish		
<i>For 36" deep x 84" wide (44R) with veneer top with veneer edge (W)</i>		
2U	light brown walnut	+\$305
40	dark brown walnut	+\$305
9N	santos palisander	+\$1161
A2	white ash	+\$305
CHD	noble cherry	+\$305
EN	ebony	+\$305
OU	walnut	+\$305
UL	natural maple	+\$305
WHN	natural white oak	+\$0

Top/Edge Finish		
<i>For 30" deep x 72" wide (88R) with veneer top with veneer edge (W)</i>		
2U	light brown walnut	+\$265
40	dark brown walnut	+\$265
9N	santos palisander	+\$1009
A2	white ash	+\$265
CHD	noble cherry	+\$265
EN	ebony	+\$265
OU	walnut	+\$265
UL	natural maple	+\$265
WHN	natural white oak	+\$0

Top/Edge Finish		
<i>For 36" deep x 96" wide (89R) with veneer top with veneer edge (W)</i>		
2U	light brown walnut	+\$330
40	dark brown walnut	+\$330
9N	santos palisander	+\$1420
A2	white ash	+\$330
CHD	noble cherry	+\$330
EN	ebony	+\$330
OU	walnut	+\$330
UL	natural maple	+\$330
WHN	natural white oak	+\$0

Eames® Low Conference Table,
Rectangular *continued*

Eames® Tables

Top/Edge Finish		
<i>For 42" deep x 66" wide (50R) with veneer top with veneer edge (W)</i>		
2U	light brown walnut	+\$290
40	dark brown walnut	+\$290
9N	santos palisander	+\$1160
A2	white ash	+\$290
CHD	noble cherry	+\$290
EN	ebony	+\$290
OU	walnut	+\$290
UL	natural maple	+\$290
WHN	natural white oak	+\$0

Top/Edge Finish		
<i>For 42" deep x 72" wide (51R) with veneer top with veneer edge (W)</i>		
2U	light brown walnut	+\$305
40	dark brown walnut	+\$305
9N	santos palisander	+\$1220
A2	white ash	+\$305
CHD	noble cherry	+\$305
EN	ebony	+\$305
OU	walnut	+\$305
UL	natural maple	+\$305
WHN	natural white oak	+\$0

Top/Edge Finish		
<i>For 42" deep x 78" wide (52R) with veneer top with veneer edge (W)</i>		
2U	light brown walnut	+\$330
40	dark brown walnut	+\$330
9N	santos palisander	+\$1320
A2	white ash	+\$330
CHD	noble cherry	+\$330
EN	ebony	+\$330
OU	walnut	+\$330
UL	natural maple	+\$330
WHN	natural white oak	+\$0

Top/Edge Finish		
<i>For 42" deep x 84" wide (45R) with veneer top with veneer edge (W)</i>		
2U	light brown walnut	+\$330
40	dark brown walnut	+\$330
9N	santos palisander	+\$1320
A2	white ash	+\$330
CHD	noble cherry	+\$330
EN	ebony	+\$330
OU	walnut	+\$330
UL	natural maple	+\$330
WHN	natural white oak	+\$0

Top/Edge Finish		
<i>For 48" deep x 84" wide (54R) with veneer top with veneer edge (W)</i>		
2U	light brown walnut	+\$385
40	dark brown walnut	+\$385
9N	santos palisander	+\$1656
A2	white ash	+\$385
CHD	noble cherry	+\$385
EN	ebony	+\$385
OU	walnut	+\$385
UL	natural maple	+\$385
WHN	natural white oak	+\$0

Top/Edge Finish		
<i>For 48" deep x 96" wide (47R) with veneer top with veneer edge (W)</i>		
2U	light brown walnut	+\$385
40	dark brown walnut	+\$385
9N	santos palisander	+\$1656
A2	white ash	+\$385
CHD	noble cherry	+\$385
EN	ebony	+\$385
OU	walnut	+\$385
UL	natural maple	+\$385
WHN	natural white oak	+\$0

Top/Edge Finish		
<i>For 54" deep x 90" wide (55R) with veneer top with veneer edge (W)</i>		
2U	light brown walnut	+\$425
40	dark brown walnut	+\$425
9N	santos palisander	+\$1700
A2	white ash	+\$425
CHD	noble cherry	+\$425
EN	ebony	+\$425
OU	walnut	+\$425
UL	natural maple	+\$425
WHN	natural white oak	+\$0

Top/Edge Finish		
<i>For 54" deep x 96" wide (56R) with veneer top with veneer edge (W)</i>		
2U	light brown walnut	+\$440
40	dark brown walnut	+\$440
9N	santos palisander	+\$1760
A2	white ash	+\$440
CHD	noble cherry	+\$440
EN	ebony	+\$440
OU	walnut	+\$440
UL	natural maple	+\$440
WHN	natural white oak	+\$0

Eames® Low Conference Table,
Rectangular *continued*

Top/Edge Finish

For 54" deep x 108" wide (57R) with veneer top with veneer edge (W)

2U	light brown walnut	+\$500
40	dark brown walnut	+\$500
9N	santos palisander	+\$2350
A2	white ash	+\$500
CHD	noble cherry	+\$500
EN	ebony	+\$500
OU	walnut	+\$500
UL	natural maple	+\$500
WHN	natural white oak	+\$0

Step 8. Edge Finish

For high-pressure laminate top with vinyl edge (L) or veneer top with vinyl edge (C)

8Q	folkstone grey (CP)	+\$0
91	white (CP)	+\$0
98	studio white (CP)	+\$0
BK	black	+\$0
CL	cool grey neutral	+\$0
HF	inner tone light	+\$0
LT	light tone	+\$0
LU	soft white	+\$0
SG	slate grey	+\$0
WL	warm stone (CP)	+\$0
WN	warm grey neutral	+\$0

Step 9. Grommet Finish

For 2 round cutouts, over columns (C2)

91	white (CP)	+\$0
BK	black	+\$0
PA	polished aluminum	+\$0

For single centered oval cutout (CR) or 2 round cutouts and center oval cutout (CA)

91	white (CP)	+\$0
BK	black	+\$0
PA	polished aluminum	+\$150

Step 10. Column Finish

611	beige mist metallic (CP)	+\$0
613	silver (CP)	+\$0
G1	graphite (CP)	+\$0
91	white (CP)	+\$0
BK	black	+\$0
CL	cool grey neutral	+\$0
EH	metallic bronze	+\$0
HF	inner tone light	+\$0
LT	light tone	+\$0
LU	soft white	+\$0
MT	medium tone	+\$0
SG	slate grey	+\$0
WN	warm grey neutral	+\$0

Step 11. Base Finish

611	beige mist metallic (CP)	+\$0
613	silver (CP)	+\$0
G1	graphite (CP)	+\$0
91	white (CP)	+\$0
BK	black	+\$0
CL	cool grey neutral	+\$0
EH	metallic bronze	+\$0
HF	inner tone light	+\$0
LT	light tone	+\$0
LU	soft white	+\$0
MT	medium tone	+\$0
PA	polished aluminum	+\$0
SG	slate grey	+\$0
WN	warm grey neutral	+\$0

Step 12. Casters/Glides

For 30" deep x 60" wide (87R), 30" deep x 72" wide (88R), 36" deep x 60" wide (42R), 36" deep x 72" wide (43R), 36" deep x 84" wide (44R), 36" deep x 96" wide (89R), 42" deep x 66" wide (50R), 42" deep x 72" wide (51R), 42" deep x 78" wide (52R), 42" deep x 84" wide (45R), 48" deep x 84" wide (54R), or 48" deep x 96" wide (47R) with high-pressure laminate top with vinyl edge (L), or veneer top with vinyl edge (C), or veneer top with veneer edge (W), or thin profile HPL top with black edge (M), or solid wood top (SW)

G	glides	+\$0
C	casters	+\$80

Eames® Low Conference Table,
 Rectangular *continued*

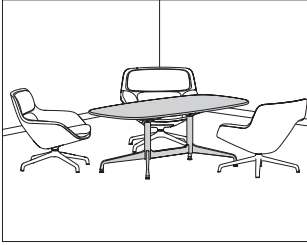
Eames® Tables

For 30" deep x 60" wide (87R), 30" deep x 72" wide (88R), 36" deep x 60" wide (42R), 36" deep x 72" wide (43R), 36" deep x 84" wide (44R), 36" deep x 96" wide (89R), 42" deep x 66" wide (50R), 42" deep x 72" wide (51R), 42" deep x 78" wide (52R), 42" deep x 84" wide (45R), 48" deep x 84" wide (54R), 48" deep x 96" wide (47R), 54" deep x 90" wide (55R), 54" deep x 96" wide (56R), or 54" deep x 108" wide (57R) with high-pressure laminate top with vinyl edge (L), or veneer top with vinyl edge (C), or veneer top with veneer edge (W), or back-painted glass top (G), or thin profile HPL top with black edge (M)

G glides +\$0

Eames® Low Conference Table, Oval

- ET243
- ET244
- ET247
- ET249
- ET250
- ET251
- ET252
- ET253
- ET254
- ET255
- ET256
- ET257
- ET287
- ET288
- ET289



Product Information

Description

This table has a laminate or veneer top with vinyl edge, a veneer top and edge, a thin-profile HPL top with black edge, a back-painted glass top with modified bullnose edge, or a solid wood top. Table may be specified with cutouts to accommodate simple power options (specified separately). Each table has adjustable glides or casters. Shipped knocked down.

Notes

60"-wide to 96"-wide tables have a 1-piece top and 2-column segmented base. 108"-wide tables have 1-piece (laminated) or 2-piece (veneered) tops and a 2-column segmented base.

For 108" wide veneer tables, tops are shipped in 2 equal pieces.

Laminated and veneer tops are 1 1/4" thick.

Thin profile HPL tops are 1/2" thick.

Glass tops are back-painted, with a satin etch finish to reduce the appearance of fingerprints. Tops up to 42"x78" are 1/2" thick; tops 42"x84" to 54"x108" are 3/8" thick with a Formcoat® substructure.

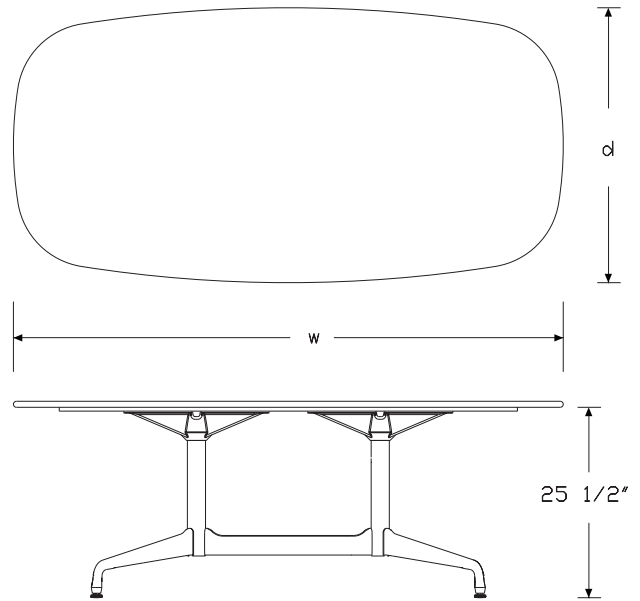
Tables may be specified with cutouts for power in various configurations. Round cutouts align with columns, and oval cutouts are centered between columns.

Order the following compatible power components separately:

- Round power module (ET991.)
- Oval power module (ET992.)

Santos palisander veneer is celebrated for its unique grain and color variations. Similar products ordered in multiples or dissimilar products ordered separately should be expected to have variation in both grain and color characteristics; no two products will look exactly alike.

Dimensions



Segmented Base

Eames® Low Conference Table, Oval

continued

Eames® Tables

Specification Information

Step 1.

ET

Step 2. Height

2 25½" high

Step 3. Depth/Width

87V	30" deep x 60" wide
88V	30" deep x 72" wide
49V	36" deep x 60" wide
43V	36" deep x 72" wide
44V	36" deep x 84" wide
89V	36" deep x 96" wide
50V	42" deep x 66" wide
51V	42" deep x 72" wide
52V	42" deep x 78" wide
53V	42" deep x 84" wide
54V	48" deep x 84" wide
47V	48" deep x 96" wide
55V	54" deep x 90" wide
56V	54" deep x 96" wide
57V	54" deep x 108" wide

Step 4. Base

S segmented base

Step 5. Surface Material

For 30" deep x 60" wide (87V), 30" deep x 72" wide (88V), 36" deep x 60" wide (49V), or 36" deep x 72" wide (43V)

L	high-pressure laminate top with vinyl edge
C	veneer top with vinyl edge
W	veneer top with veneer edge
M	thin profile HPL top with black edge
G	back-painted glass top
SW	solid wood top A

For 36" deep x 84" wide (44V), 36" deep x 96" wide (89V), 42" deep x 66" wide (50V), 42" deep x 72" wide (51V), 42" deep x 78" wide (52V), 42" deep x 84" wide (53V), 48" deep x 84" wide (54V), or 48" deep x 96" wide (47V)

L	high-pressure laminate top with vinyl edge A
C	veneer top with vinyl edge A
W	veneer top with veneer edge A
M	thin profile HPL top with black edge A
G	back-painted glass top A

For 54" deep x 90" wide (55V), 54" deep x 96" wide (56V), or 54" deep x 108" wide (57V)

L	high-pressure laminate top with vinyl edge
C	veneer top with vinyl edge
W	veneer top with veneer edge
G	back-painted glass top

Step 6. Grommets

NG	no grommet
C2	2 round cutouts, over columns
CR	single centered oval cutout
CA	2 round cutouts and center oval cutout

Prices for Steps 1-6.

		NG	C2	CR	CA
ET287V S	L	\$2454	3130	2791	3467
	C	\$3008	3687	3348	4024
	W	\$3245	3920	3584	4263
	M	\$4688	5366	5026	5705
	G	\$9802	10951	11008	12170
	SW	\$6857	8202	7597	8272

		NG	C2	CR	CA
ET288V S	L	\$2630	3308	2968	3645
	C	\$3274	3951	3613	4291
	W	\$3628	4306	3967	4645
	M	\$4719	5395	5056	5736
	G	\$11053	12216	12259	13424
	SW	\$7394	8738	8135	8809

		NG	C2	CR	CA
ET249V S	L	\$2770	3450	3111	3790
	C	\$3348	4024	3687	4365
	W	\$3636	4313	3973	4650
	M	\$5690	6366	6031	6707
	G	\$11053	12216	12259	13424
	SW	\$8437	9781	9175	9852

		NG	C2	CR	CA
ET243V S	L	\$2841	3519	3180	3859
	C	\$3451	4127	3791	4468
	W	\$3791	4468	4127	4808
	M	\$5720	6396	6060	6737
	G	\$12554	13703	13760	14928
	SW	\$9008	10351	9748	10422

Eames® Low Conference Table, Oval

continued

		NG	C2	CR	CA
ET244V S	L	\$2971	3648	3311	3988
	C	\$3716	4395	4055	4732
	W	\$4145	4822	4481	5159
	M	\$5765	6442	6102	6779
	G	\$14042	15207	15263	16413

		NG	C2	CR	CA
ET289V S	L	\$3181	3860	3521	4198
	C	\$3951	4629	4291	4968
	W	\$4263	4938	4600	5277
	M	\$5793	6471	6132	6810
	G	\$15644	16813	16871	18020

		NG	C2	CR	CA
ET250V S	L	\$3318	3995	3656	4332
	C	\$3850	4527	4187	4863
	W	\$4333	5014	4674	5350
	M	\$5736	6412	6073	6750
	G	\$13143	14309	14367	15517

		NG	C2	CR	CA
ET251V S	L	\$3416	4094	3758	4432
	C	\$3902	4582	4241	4918
	W	\$4375	5053	4714	5390
	M	\$5748	6425	6088	6766
	G	\$14042	15207	15263	16413

		NG	C2	CR	CA
ET252V S	L	\$3489	4169	3829	4505
	C	\$4084	4760	4422	5100
	W	\$4525	5204	4862	5540
	M	\$9255	9932	9594	10271
	G	\$14958	16104	16164	17326

		NG	C2	CR	CA
ET253V S	L	\$3532	4209	3869	4549
	C	\$4124	4806	4465	5142
	W	\$4577	5256	4916	5592
	M	\$9255	9932	9594	10271
	G	\$16353	18298	18092	20051

		NG	C2	CR	CA
ET254V S	L	\$3973	4650	4313	4990
	C	\$4585	5262	4921	5599
	W	\$5025	5704	5365	6041
	M	\$9287	9962	9622	10301
	G	\$18401	20362	20154	22098

		NG	C2	CR	CA
ET247V S	L	\$4058	4737	4400	5075
	C	\$4678	5355	5018	5694
	W	\$5195	5873	5532	6209
	M	\$9328	10007	9666	10345
	G	\$20759	22746	22511	24456

		NG	C2	CR	CA
ET255V S	L	\$4814	5490	5153	5831
	C	\$5467	6145	5804	6484
	W	\$6056	6734	6394	7071
	G	\$21773	23735	23632	25487

		NG	C2	CR	CA
ET256V S	L	\$4876	5552	5212	5890
	C	\$5644	6320	5981	6660
	W	\$6306	6984	6644	7323
	G	\$23100	25060	24854	26812

		NG	C2	CR	CA
ET257V S	L	\$6343	7019	6678	7357
	C	\$7065	7742	7407	8083
	W	\$7838	8516	8180	8856
	G	\$25751	27712	27507	29463

Step 7.

Top Finish: Finish

For back-painted glass top (G)

8Q	folkstone grey (CP)	+\$0
91	white (CP)	+\$0
BK	black	+\$0
WN	warm grey neutral	+\$0

Top Finish: Finish

For thin profile HPL top with black edge (M)

91	white (CP)	+\$0
G1	graphite (CP)	+\$0
BK	black	+\$0

Eames® Low Conference Table, Oval

continued

Eames® Tables

Top Finish: Solid-Color Laminate		
<i>For high-pressure laminate top with vinyl edge (L)</i>		
8Q	folkstone grey (CP)	+\$0
91	white (CP)	+\$0
98	studio white (CP)	+\$0
BKM	black matte	+\$0
CL	cool grey neutral	+\$0
HF	inner tone light	+\$0
LT	light tone	+\$0
LU	soft white	+\$0
WL	warm stone (CP)	+\$0
WN	warm grey neutral	+\$0

Top Finish		
<i>For 30" deep x 60" wide (87V) with solid wood top (SW)</i>		
OU	walnut A	+\$575
WHN	natural white oak A	+\$0

Top Finish		
<i>For 30" deep x 72" wide (88V) with solid wood top (SW)</i>		
OU	walnut A	+\$675
WHN	natural white oak A	+\$0

Top Finish		
<i>For 36" deep x 60" wide (49V) with solid wood top (SW)</i>		
OU	walnut A	+\$700
WHN	natural white oak A	+\$0

Top Finish		
<i>For 36" deep x 72" wide (43V) with solid wood top (SW)</i>		
OU	walnut A	+\$815
WHN	natural white oak A	+\$0

Top Finish: Wood Veneer		
<i>For 30" deep x 60" wide (87V) with veneer top with vinyl edge (C)</i>		
2U	light brown walnut	+\$250
40	dark brown walnut	+\$250
9N	santos palisander	+\$950
A2	white ash	+\$250
CHD	noble cherry	+\$250
EN	ebony	+\$250
OU	walnut	+\$250
UL	natural maple	+\$250
WHN	natural white oak	+\$0

Top Finish: Wood Veneer		
<i>For 30" deep x 72" wide (88V) with veneer top with vinyl edge (C)</i>		
2U	light brown walnut	+\$265
40	dark brown walnut	+\$265
9N	santos palisander	+\$1009
A2	white ash	+\$265
CHD	noble cherry	+\$265
EN	ebony	+\$265
OU	walnut	+\$265
UL	natural maple	+\$265
WHN	natural white oak	+\$0

Top Finish: Wood Veneer		
<i>For 36" deep x 60" wide (49V) with veneer top with vinyl edge (C)</i>		
2U	light brown walnut	+\$265
40	dark brown walnut	+\$265
9N	santos palisander	+\$1009
A2	white ash	+\$265
CHD	noble cherry	+\$265
EN	ebony	+\$265
OU	walnut	+\$265
UL	natural maple	+\$265
WHN	natural white oak	+\$0

Top Finish: Wood Veneer		
<i>For 36" deep x 72" wide (43V) with veneer top with vinyl edge (C)</i>		
2U	light brown walnut	+\$290
40	dark brown walnut	+\$290
9N	santos palisander	+\$1104
A2	white ash	+\$290
CHD	noble cherry	+\$290
EN	ebony	+\$290
OU	walnut	+\$290
UL	natural maple	+\$290
WHN	natural white oak	+\$0

Top Finish: Wood Veneer		
<i>For 36" deep x 84" wide (44V) with veneer top with vinyl edge (C)</i>		
2U	light brown walnut	+\$305
40	dark brown walnut	+\$305
9N	santos palisander	+\$1161
A2	white ash	+\$305
CHD	noble cherry	+\$305
EN	ebony	+\$305
OU	walnut	+\$305
UL	natural maple	+\$305
WHN	natural white oak	+\$0

Eames® Low Conference Table, Oval

continued

Top Finish: Wood Veneer		
<i>For 36" deep x 96" wide (89V) with veneer top with vinyl edge (C)</i>		
2U	light brown walnut	+\$330
40	dark brown walnut	+\$330
9N	santos palisander	+\$1420
A2	white ash	+\$330
CHD	noble cherry	+\$330
EN	ebony	+\$330
OU	walnut	+\$330
UL	natural maple	+\$330
WHN	natural white oak	+\$0

Top Finish: Wood Veneer		
<i>For 42" deep x 66" wide (50V) with veneer top with vinyl edge (C)</i>		
2U	light brown walnut	+\$290
40	dark brown walnut	+\$290
9N	santos palisander	+\$1160
A2	white ash	+\$290
CHD	noble cherry	+\$290
EN	ebony	+\$290
OU	walnut	+\$290
UL	natural maple	+\$290
WHN	natural white oak	+\$0

Top Finish: Wood Veneer		
<i>For 42" deep x 72" wide (51V) with veneer top with vinyl edge (C)</i>		
2U	light brown walnut	+\$305
40	dark brown walnut	+\$305
9N	santos palisander	+\$1220
A2	white ash	+\$305
CHD	noble cherry	+\$305
EN	ebony	+\$305
OU	walnut	+\$305
UL	natural maple	+\$305
WHN	natural white oak	+\$0

Top Finish: Wood Veneer		
<i>For 42" deep x 78" wide (52V) with veneer top with vinyl edge (C)</i>		
2U	light brown walnut	+\$330
40	dark brown walnut	+\$330
9N	santos palisander	+\$1320
A2	white ash	+\$330
CHD	noble cherry	+\$330
EN	ebony	+\$330
OU	walnut	+\$330
UL	natural maple	+\$330
WHN	natural white oak	+\$0

Top Finish: Wood Veneer		
<i>For 42" deep x 84" wide (53V) with veneer top with vinyl edge (C)</i>		
2U	light brown walnut	+\$330
40	dark brown walnut	+\$330
9N	santos palisander	+\$1320
A2	white ash	+\$330
CHD	noble cherry	+\$330
EN	ebony	+\$330
OU	walnut	+\$330
UL	natural maple	+\$330
WHN	natural white oak	+\$0

Top Finish: Wood Veneer		
<i>For 48" deep x 84" wide (54V) with veneer top with vinyl edge (C)</i>		
2U	light brown walnut	+\$385
40	dark brown walnut	+\$385
9N	santos palisander	+\$1656
A2	white ash	+\$385
CHD	noble cherry	+\$385
EN	ebony	+\$385
OU	walnut	+\$385
UL	natural maple	+\$385
WHN	natural white oak	+\$0

Top Finish: Wood Veneer		
<i>For 48" deep x 96" wide (47V) with veneer top with vinyl edge (C)</i>		
2U	light brown walnut	+\$385
40	dark brown walnut	+\$385
9N	santos palisander	+\$1656
A2	white ash	+\$385
CHD	noble cherry	+\$385
EN	ebony	+\$385
OU	walnut	+\$385
UL	natural maple	+\$385
WHN	natural white oak	+\$0

Top Finish: Wood Veneer		
<i>For 54" deep x 90" wide (55V) with veneer top with vinyl edge (C)</i>		
2U	light brown walnut	+\$425
40	dark brown walnut	+\$425
9N	santos palisander	+\$1700
A2	white ash	+\$425
CHD	noble cherry	+\$425
EN	ebony	+\$425
OU	walnut	+\$425
UL	natural maple	+\$425
WHN	natural white oak	+\$0

Eames® Low Conference Table, Oval

continued

Eames® Tables

Top Finish: Wood Veneer		
<i>For 54" deep x 96" wide (56V) with veneer top with vinyl edge (C)</i>		
2U	light brown walnut	+\$440
40	dark brown walnut	+\$440
9N	santos palisander	+\$1760
A2	white ash	+\$440
CHD	noble cherry	+\$440
EN	ebony	+\$440
OU	walnut	+\$440
UL	natural maple	+\$440
WHN	natural white oak	+\$0

Top Finish: Wood Veneer		
<i>For 54" deep x 108" wide (57V) with veneer top with vinyl edge (C)</i>		
2U	light brown walnut	+\$500
40	dark brown walnut	+\$500
9N	santos palisander	+\$2350
A2	white ash	+\$500
CHD	noble cherry	+\$500
EN	ebony	+\$500
OU	walnut	+\$500
UL	natural maple	+\$500
WHN	natural white oak	+\$0

Top/Edge Finish		
<i>For 30" deep x 60" wide (87V) with veneer top with veneer edge (W)</i>		
2U	light brown walnut	+\$250
40	dark brown walnut	+\$250
9N	santos palisander	+\$950
A2	white ash	+\$250
CHD	noble cherry	+\$250
EN	ebony	+\$250
OU	walnut	+\$250
UL	natural maple	+\$250
WHN	natural white oak	+\$0

Top/Edge Finish		
<i>For 30" deep x 72" wide (88V) with veneer top with veneer edge (W)</i>		
2U	light brown walnut	+\$265
40	dark brown walnut	+\$265
9N	santos palisander	+\$1009
A2	white ash	+\$265
CHD	noble cherry	+\$265
EN	ebony	+\$265
OU	walnut	+\$265
UL	natural maple	+\$265
WHN	natural white oak	+\$0

Top/Edge Finish		
<i>For 36" deep x 60" wide (49V) with veneer top with veneer edge (W)</i>		
2U	light brown walnut	+\$265
40	dark brown walnut	+\$265
9N	santos palisander	+\$1009
A2	white ash	+\$265
CHD	noble cherry	+\$265
EN	ebony	+\$265
OU	walnut	+\$265
UL	natural maple	+\$265
WHN	natural white oak	+\$0

Top/Edge Finish		
<i>For 36" deep x 72" wide (43V) with veneer top with veneer edge (W)</i>		
2U	light brown walnut	+\$290
40	dark brown walnut	+\$290
9N	santos palisander	+\$1104
A2	white ash	+\$290
CHD	noble cherry	+\$290
EN	ebony	+\$290
OU	walnut	+\$290
UL	natural maple	+\$290
WHN	natural white oak	+\$0

Top/Edge Finish		
<i>For 36" deep x 84" wide (44V) with veneer top with veneer edge (W)</i>		
2U	light brown walnut	+\$305
40	dark brown walnut	+\$305
9N	santos palisander	+\$1161
A2	white ash	+\$305
CHD	noble cherry	+\$305
EN	ebony	+\$305
OU	walnut	+\$305
UL	natural maple	+\$305
WHN	natural white oak	+\$0

Top/Edge Finish		
<i>For 36" deep x 96" wide (89V) with veneer top with veneer edge (W)</i>		
2U	light brown walnut	+\$330
40	dark brown walnut	+\$330
9N	santos palisander	+\$1420
A2	white ash	+\$330
CHD	noble cherry	+\$330
EN	ebony	+\$330
OU	walnut	+\$330
UL	natural maple	+\$330
WHN	natural white oak	+\$0

Eames® Low Conference Table, Oval

continued

Top/Edge Finish		
<i>For 42" deep x 66" wide (50V) with veneer top with veneer edge (W)</i>		
2U	light brown walnut	+\$290
40	dark brown walnut	+\$290
9N	santos palisander	+\$1160
A2	white ash	+\$290
CHD	noble cherry	+\$290
EN	ebony	+\$290
OU	walnut	+\$290
UL	natural maple	+\$290
WHN	natural white oak	+\$0

Top/Edge Finish		
<i>For 42" deep x 72" wide (51V) with veneer top with veneer edge (W)</i>		
2U	light brown walnut	+\$305
40	dark brown walnut	+\$305
9N	santos palisander	+\$1220
A2	white ash	+\$305
CHD	noble cherry	+\$305
EN	ebony	+\$305
OU	walnut	+\$305
UL	natural maple	+\$305
WHN	natural white oak	+\$0

Top/Edge Finish		
<i>For 42" deep x 78" wide (52V) with veneer top with veneer edge (W)</i>		
2U	light brown walnut	+\$330
40	dark brown walnut	+\$330
9N	santos palisander	+\$1320
A2	white ash	+\$330
CHD	noble cherry	+\$330
EN	ebony	+\$330
OU	walnut	+\$330
UL	natural maple	+\$330
WHN	natural white oak	+\$0

Top/Edge Finish		
<i>For 42" deep x 84" wide (53V) with veneer top with veneer edge (W)</i>		
2U	light brown walnut	+\$330
40	dark brown walnut	+\$330
9N	santos palisander	+\$1320
A2	white ash	+\$330
CHD	noble cherry	+\$330
EN	ebony	+\$330
OU	walnut	+\$330
UL	natural maple	+\$330
WHN	natural white oak	+\$0

Top/Edge Finish		
<i>For 48" deep x 84" wide (54V) with veneer top with veneer edge (W)</i>		
2U	light brown walnut	+\$385
40	dark brown walnut	+\$385
9N	santos palisander	+\$1656
A2	white ash	+\$385
CHD	noble cherry	+\$385
EN	ebony	+\$385
OU	walnut	+\$385
UL	natural maple	+\$385
WHN	natural white oak	+\$0

Top/Edge Finish		
<i>For 48" deep x 96" wide (47V) with veneer top with veneer edge (W)</i>		
2U	light brown walnut	+\$385
40	dark brown walnut	+\$385
9N	santos palisander	+\$1656
A2	white ash	+\$385
CHD	noble cherry	+\$385
EN	ebony	+\$385
OU	walnut	+\$385
UL	natural maple	+\$385
WHN	natural white oak	+\$0

Top/Edge Finish		
<i>For 54" deep x 90" wide (55V) with veneer top with veneer edge (W)</i>		
2U	light brown walnut	+\$425
40	dark brown walnut	+\$425
9N	santos palisander	+\$1700
A2	white ash	+\$425
CHD	noble cherry	+\$425
EN	ebony	+\$425
OU	walnut	+\$425
UL	natural maple	+\$425
WHN	natural white oak	+\$0

Top/Edge Finish		
<i>For 54" deep x 96" wide (56V) with veneer top with veneer edge (W)</i>		
2U	light brown walnut	+\$440
40	dark brown walnut	+\$440
9N	santos palisander	+\$1760
A2	white ash	+\$440
CHD	noble cherry	+\$440
EN	ebony	+\$440
OU	walnut	+\$440
UL	natural maple	+\$440
WHN	natural white oak	+\$0

Eames® Low Conference Table, Oval

continued

Eames® Tables

Top/Edge Finish		
<i>For 54" deep x 108" wide (57V) with veneer top with veneer edge (W)</i>		
2U	light brown walnut	+\$500
40	dark brown walnut	+\$500
9N	santos palisander	+\$2350
A2	white ash	+\$500
CHD	noble cherry	+\$500
EN	ebony	+\$500
OU	walnut	+\$500
UL	natural maple	+\$500
WHN	natural white oak	+\$0

Step 8. Edge Finish		
<i>For high-pressure laminate top with vinyl edge (L) or veneer top with vinyl edge (C)</i>		
8Q	folkstone grey (CP)	+\$0
91	white (CP)	+\$0
98	studio white (CP)	+\$0
BK	black	+\$0
CL	cool grey neutral	+\$0
HF	inner tone light	+\$0
LT	light tone	+\$0
LU	soft white	+\$0
SG	slate grey	+\$0
WL	warm stone (CP)	+\$0
WN	warm grey neutral	+\$0

Step 9. Grommet Finish		
<i>For 2 round cutouts, over columns (C2)</i>		
91	white (CP)	+\$0
BK	black	+\$0
PA	polished aluminum	+\$0

<i>For single centered oval cutout (CR) or 2 round cutouts and center oval cutout (CA)</i>		
91	white (CP)	+\$0
BK	black	+\$0
PA	polished aluminum	+\$150

Step 10. Column Finish		
611	beige mist metallic (CP)	+\$0
613	silver (CP)	+\$0
G1	graphite (CP)	+\$0
91	white (CP)	+\$0
BK	black	+\$0
CL	cool grey neutral	+\$0
EH	metallic bronze	+\$0
HF	inner tone light	+\$0
LT	light tone	+\$0
LU	soft white	+\$0
MT	medium tone	+\$0
SG	slate grey	+\$0
WN	warm grey neutral	+\$0

Step 11. Base Finish		
611	beige mist metallic (CP)	+\$0
613	silver (CP)	+\$0
G1	graphite (CP)	+\$0
91	white (CP)	+\$0
BK	black	+\$0
CL	cool grey neutral	+\$0
EH	metallic bronze	+\$0
HF	inner tone light	+\$0
LT	light tone	+\$0
LU	soft white	+\$0
MT	medium tone	+\$0
PA	polished aluminum	+\$0
SG	slate grey	+\$0
WN	warm grey neutral	+\$0

Step 12. Casters/Glides		
<i>For 30" deep x 60" wide (87V), 30" deep x 72" wide (88V), 36" deep x 60" wide (49V), 36" deep x 72" wide (43V), 36" deep x 84" wide (44V), 36" deep x 96" wide (89V), 42" deep x 66" wide (50V), 42" deep x 72" wide (51V), 42" deep x 78" wide (52V), 42" deep x 84" wide (53V), 48" deep x 84" wide (54V), or 48" deep x 96" wide (47V) with high-pressure laminate top with vinyl edge (L), or veneer top with vinyl edge (C), or veneer top with veneer edge (W), or thin profile HPL top with black edge (M), or solid wood top (SW)</i>		
G	glides	+\$0
C	casters	+\$80

Eames® Low Conference Table, Oval

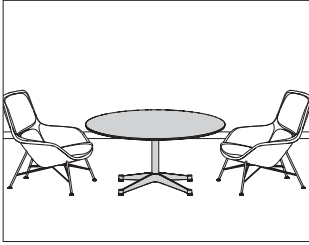
continued

For 30" deep x 60" wide (87V), 30" deep x 72" wide (88V), 36" deep x 60" wide (49V), 36" deep x 72" wide (43V), 36" deep x 84" wide (44V), 36" deep x 96" wide (89V), 42" deep x 66" wide (50V), 42" deep x 72" wide (51V), 42" deep x 78" wide (52V), 42" deep x 84" wide (53V), 48" deep x 84" wide (54V), 48" deep x 96" wide (47V), 54" deep x 90" wide (55V), 54" deep x 96" wide (56V), or 54" deep x 108" wide (57V) with high-pressure laminate top with vinyl edge (L), or veneer top with vinyl edge (C), or veneer top with veneer edge (W), or back-painted glass top (G), or thin profile HPL top with black edge (M)

G glides +\$0

Eames® Low Conference Table,
Round, Stone

ET207
ET208
ET209
ET210



Eames® Tables

Product Information

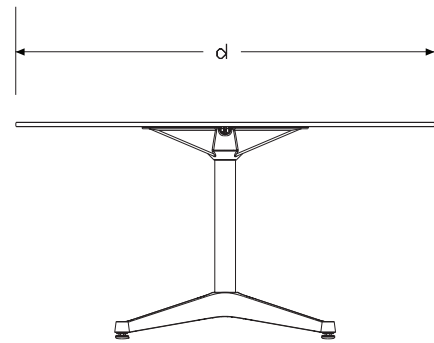
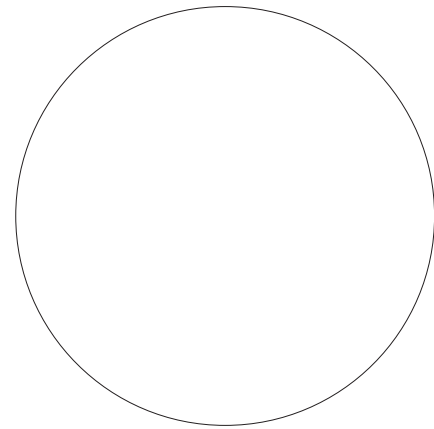
Description

This table has a stone top and comes with adjustable glides. Ships knocked down with assembly required. Top and base components ship in separate packages.

Notes

Stone top is 3/4" thick and has a full bullnose edge profile.
Marble tops have a honed finish; quartz tops have a polished finish.
Natural characteristics in stone cause variations in hues, veins, crystals, and distinctive marks. These variations and subtle changes seen as the stone ages are values associated with natural materials. No two tabletops are identically the same; variations in both color and veining are to be expected. Over time the stone may fade in color, staining of the surface may appear, and surface cracks, if not already visible at time of purchase, may appear. Small cracks do not affect the structure of the tabletop.

Dimensions



25 1/2"

Contract Base



Universal Base

Eames® Low Conference Table,
Round, Stone *continued*

Specification Information

Step 1.

ET A

Step 2. Height

2 25½" high A

Step 3. Diameter

07 30" diameter A

08 36" diameter A

09 42" diameter A

10 48" diameter A

Step 4. Base

For 30" diameter (07) or 36" diameter (08)

U universal base A

C contract base A

For 42" diameter (09) or 48" diameter (10)

C contract base A

Step 5. Surface Material

S stone top A

Prices for Steps 1-5.

	S
ET207 U	\$5962
C	\$5962
ET208 U	\$6981
C	\$6981
ET209 C	\$10466
ET210 C	\$10840

Step 6. Top Finish

For 30" diameter (07) with stone top (S)

5U georgia grey marble <input type="checkbox"/> A	+\$436
CRR Carrara marble <input type="checkbox"/> A	+\$436
QBL black quartz <input type="checkbox"/> A	+\$270
QCN concrete quartz <input type="checkbox"/> A	-\$250
QPL pearl quartz <input type="checkbox"/> A	-\$250

For 36" diameter (08) with stone top (S)

5U georgia grey marble <input type="checkbox"/> A	+\$526
CRR Carrara marble <input type="checkbox"/> A	+\$0
QBL black quartz <input type="checkbox"/> A	-\$300
QCN concrete quartz <input type="checkbox"/> A	-\$900
QPL pearl quartz <input type="checkbox"/> A	-\$900

For 42" diameter (09) with stone top (S)

5U georgia grey marble <input type="checkbox"/> A	+\$610
CRR Carrara marble <input type="checkbox"/> A	-\$1000
QBL black quartz <input type="checkbox"/> A	-\$1200
QCN concrete quartz <input type="checkbox"/> A	-\$1800
QPL pearl quartz <input type="checkbox"/> A	-\$1800

For 48" diameter (10) with stone top (S)

5U georgia grey marble <input type="checkbox"/> A	+\$711
CRR Carrara marble <input type="checkbox"/> A	-\$1000
QBL black quartz <input type="checkbox"/> A	-\$1200
QCN concrete quartz <input type="checkbox"/> A	-\$1800
QPL pearl quartz <input type="checkbox"/> A	-\$1800

Step 7. Column Finish

611 beige mist metallic (CP) <input type="checkbox"/> A	+\$0
613 silver (CP) <input type="checkbox"/> A	+\$0
G1 graphite (CP) <input type="checkbox"/> A	+\$0
91 white (CP) <input type="checkbox"/> A	+\$0
BK black <input type="checkbox"/> A	+\$0
CL cool grey neutral <input type="checkbox"/> A	+\$0
HF inner tone light <input type="checkbox"/> A	+\$0
LT light tone <input type="checkbox"/> A	+\$0
LU soft white <input type="checkbox"/> A	+\$0
MT medium tone <input type="checkbox"/> A	+\$0
SG slate grey <input type="checkbox"/> A	+\$0
WN warm grey neutral <input type="checkbox"/> A	+\$0
EH metallic bronze <input type="checkbox"/> A	+\$0

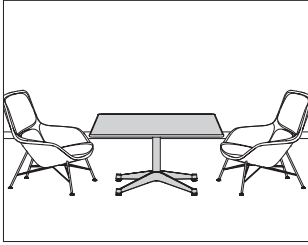
Eames® Low Conference Table,
 Round, Stone *continued*

Eames® Tables

Step 8. Base Finish		
611	beige mist metallic (CP) <input type="checkbox"/> A	+\$0
613	silver (CP) <input type="checkbox"/> A	+\$0
G1	graphite (CP) <input type="checkbox"/> A	+\$0
91	white (CP) <input type="checkbox"/> A	+\$0
BK	black <input type="checkbox"/> A	+\$0
CL	cool grey neutral <input type="checkbox"/> A	+\$0
HF	inner tone light <input type="checkbox"/> A	+\$0
LT	light tone <input type="checkbox"/> A	+\$0
LU	soft white <input type="checkbox"/> A	+\$0
MT	medium tone <input type="checkbox"/> A	+\$0
PA	polished aluminum <input type="checkbox"/> A	+\$0
SG	slate grey <input type="checkbox"/> A	+\$0
WN	warm grey neutral <input type="checkbox"/> A	+\$0
EH	metallic bronze <input type="checkbox"/> A	+\$0

Eames® Low Conference Table,
Square, Stone

ET204
ET206



Product Information

Description

This table has a stone top and comes with adjustable glides. Ships knocked down with assembly required. Top and base components ship in separate packages.

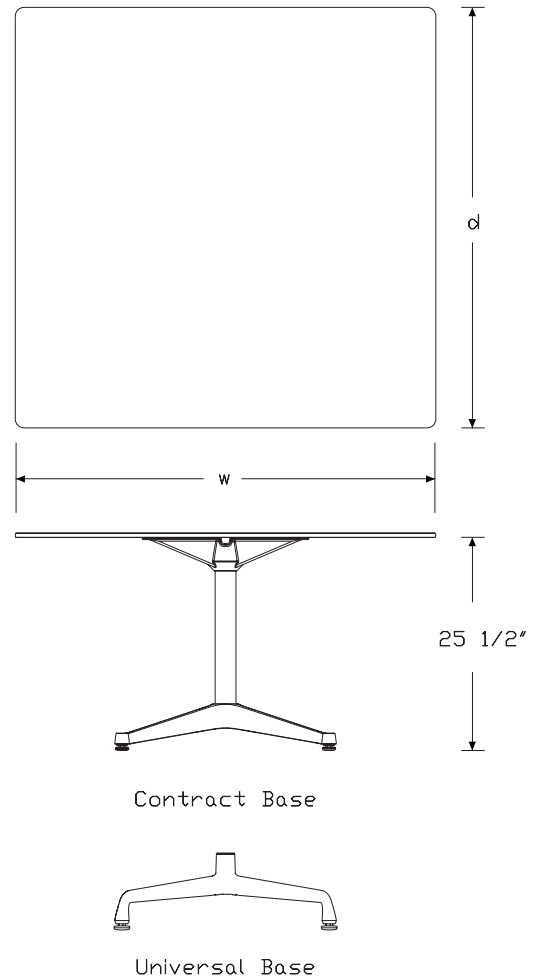
Notes

Stone top is $\frac{3}{4}$ " thick and has a full bullnose edge profile.

Marble tops have a honed finish; quartz tops have a polished finish.

Natural characteristics in stone cause variations in hues, veins, crystals, and distinctive marks. These variations and subtle changes seen as the stone ages are values associated with natural materials. No two tabletops are identically the same; variations in both color and veining are to be expected. Over time the stone may fade in color, staining of the surface may appear, and surface cracks, if not already visible at time of purchase, may appear. Small cracks do not affect the structure of the tabletop.

Dimensions



Eames® Tables

Eames® Low Conference Table,
Square, Stone *continued*

Eames® Tables

Specification Information

Step 1.

ET A

Step 2. Height

2 25½" high A

Step 3. Depth/Width

04 30" deep x 30" wide A

06 42" deep x 42" wide A

Step 4. Base

For 30" deep x 30" wide (04)

U universal base A

C contract base A

For 42" deep x 42" wide (06)

C contract base A

Step 5. Surface Material

S stone top A

Prices for Steps 1-5.

	S
ET204 U	\$5962
C	\$5962
ET206 C	\$10466

Step 6. Top Finish

For 30" deep x 30" wide (04) with stone top (S)

5U georgia grey marble <input type="checkbox"/> A	+\$436
CRR Carrara marble <input type="checkbox"/> A	+\$436
QBL black quartz <input type="checkbox"/> A	+\$270
QCN concrete quartz <input type="checkbox"/> A	-\$250
QPL pearl quartz <input type="checkbox"/> A	-\$250

For 42" deep x 42" wide (06) with stone top (S)

5U georgia grey marble <input type="checkbox"/> A	+\$610
CRR Carrara marble <input type="checkbox"/> A	-\$1000
QBL black quartz <input type="checkbox"/> A	-\$1200
QCN concrete quartz <input type="checkbox"/> A	-\$1800
QPL pearl quartz <input type="checkbox"/> A	-\$1800

Step 7. Column Finish

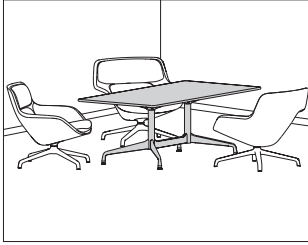
611 beige mist metallic (CP) <input type="checkbox"/> A	+\$0
613 silver (CP) <input type="checkbox"/> A	+\$0
G1 graphite (CP) <input type="checkbox"/> A	+\$0
91 white (CP) <input type="checkbox"/> A	+\$0
BK black <input type="checkbox"/> A	+\$0
CL cool grey neutral <input type="checkbox"/> A	+\$0
HF inner tone light <input type="checkbox"/> A	+\$0
LT light tone <input type="checkbox"/> A	+\$0
LU soft white <input type="checkbox"/> A	+\$0
MT medium tone <input type="checkbox"/> A	+\$0
SG slate grey <input type="checkbox"/> A	+\$0
WN warm grey neutral <input type="checkbox"/> A	+\$0
EH metallic bronze <input type="checkbox"/> A	+\$0

Step 8. Base Finish

611 beige mist metallic (CP) <input type="checkbox"/> A	+\$0
613 silver (CP) <input type="checkbox"/> A	+\$0
G1 graphite (CP) <input type="checkbox"/> A	+\$0
91 white (CP) <input type="checkbox"/> A	+\$0
BK black <input type="checkbox"/> A	+\$0
CL cool grey neutral <input type="checkbox"/> A	+\$0
HF inner tone light <input type="checkbox"/> A	+\$0
LT light tone <input type="checkbox"/> A	+\$0
LU soft white <input type="checkbox"/> A	+\$0
MT medium tone <input type="checkbox"/> A	+\$0
PA polished aluminum <input type="checkbox"/> A	+\$0
SG slate grey <input type="checkbox"/> A	+\$0
WN warm grey neutral <input type="checkbox"/> A	+\$0
EH metallic bronze <input type="checkbox"/> A	+\$0

Eames® Low Conference Table,
Rectangular, Stone

ET243
ET250
ET252
ET287



Product Information

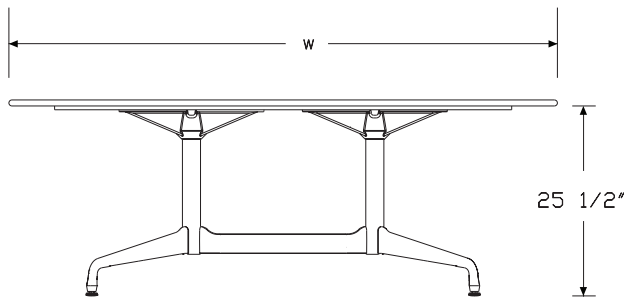
Description

This table has a stone top and comes with adjustable glides. Ships knocked down with assembly required. Top and base components ship in separate packages.

Notes

Stone top is 3/4" thick and has a full bullnose edge profile.
Marble tops have a honed finish; quartz tops have a polished finish.
Natural characteristics in stone cause variations in hues, veins, crystals, and distinctive marks. These variations and subtle changes seen as the stone ages are values associated with natural materials. No two tabletops are identically the same; variations in both color and veining are to be expected. Over time the stone may fade in color, staining of the surface may appear, and surface cracks, if not already visible at time of purchase, may appear. Small cracks do not affect the structure of the tabletop.

Dimensions



Segmented Base

Specification Information

Step 1.

ET A

Step 2. Height

2 25 1/2" high A

Step 3. Depth/Width

43R 36" deep x 72" wide A

50R 42" deep x 66" wide A

52R 42" deep x 78" wide A

87R 30" deep x 60" wide A

Step 4. Base

S segmented base A

Step 5. Surface Material

S stone top A

Prices for Steps 1-5.

	S
ET243R S	\$15674
ET250R S	\$15260
ET252R S	\$16075
ET287R S	\$14015

Step 6. Top Finish

For 36" deep x 72" wide (43R) with stone top (S)

5U georgia grey marble <input type="checkbox"/> A	+\$1148
CRR Carrara marble <input type="checkbox"/> A	-\$500
QBL black quartz <input type="checkbox"/> A	-\$1200
QCN concrete quartz <input type="checkbox"/> A	-\$3000
QPL pearl quartz <input type="checkbox"/> A	-\$3000

For 42" deep x 66" wide (50R) with stone top (S)

5U georgia grey marble <input type="checkbox"/> A	+\$0
CRR Carrara marble <input type="checkbox"/> A	-\$500
QBL black quartz <input type="checkbox"/> A	-\$1400
QCN concrete quartz <input type="checkbox"/> A	-\$3000
QPL pearl quartz <input type="checkbox"/> A	-\$3000

Eames® Low Conference Table,
Rectangular, Stone *continued*

Eames® Tables

For 42" deep x 78" wide (52R) with stone top (S)

5U	georgia grey marble <input type="checkbox"/>	+\$0
CRR	Carrara marble <input type="checkbox"/>	-\$800
QBL	black quartz <input type="checkbox"/>	-\$1400
QCN	concrete quartz <input type="checkbox"/>	-\$3000
QPL	pearl quartz <input type="checkbox"/>	-\$3000

For 30" deep x 60" wide (87R) with stone top (S)

5U	georgia grey marble <input type="checkbox"/>	+\$1026
CRR	Carrara marble <input type="checkbox"/>	-\$500
QBL	black quartz <input type="checkbox"/>	-\$1400
QCN	concrete quartz <input type="checkbox"/>	-\$2200
QPL	pearl quartz <input type="checkbox"/>	-\$2200

Step 7. Column Finish

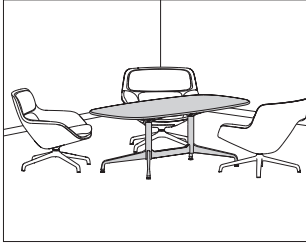
611	beige mist metallic (CP) <input type="checkbox"/>	+\$0
613	silver (CP) <input type="checkbox"/>	+\$0
G1	graphite (CP) <input type="checkbox"/>	+\$0
91	white (CP) <input type="checkbox"/>	+\$0
BK	black <input type="checkbox"/>	+\$0
CL	cool grey neutral <input type="checkbox"/>	+\$0
HF	inner tone light <input type="checkbox"/>	+\$0
LT	light tone <input type="checkbox"/>	+\$0
LU	soft white <input type="checkbox"/>	+\$0
MT	medium tone <input type="checkbox"/>	+\$0
SG	slate grey <input type="checkbox"/>	+\$0
WN	warm grey neutral <input type="checkbox"/>	+\$0
EH	metallic bronze <input type="checkbox"/>	+\$0

Step 8. Base Finish

611	beige mist metallic (CP) <input type="checkbox"/>	+\$0
613	silver (CP) <input type="checkbox"/>	+\$0
G1	graphite (CP) <input type="checkbox"/>	+\$0
91	white (CP) <input type="checkbox"/>	+\$0
BK	black <input type="checkbox"/>	+\$0
CL	cool grey neutral <input type="checkbox"/>	+\$0
HF	inner tone light <input type="checkbox"/>	+\$0
LT	light tone <input type="checkbox"/>	+\$0
LU	soft white <input type="checkbox"/>	+\$0
MT	medium tone <input type="checkbox"/>	+\$0
PA	polished aluminum <input type="checkbox"/>	+\$0
SG	slate grey <input type="checkbox"/>	+\$0
WN	warm grey neutral <input type="checkbox"/>	+\$0
EH	metallic bronze <input type="checkbox"/>	+\$0

Eames® Low Conference Table, Oval,
Stone

ET243
ET250
ET252
ET287



Product Information

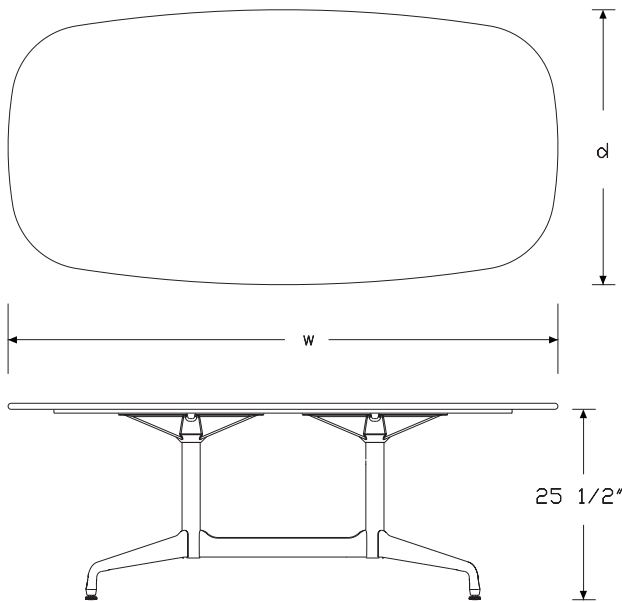
Description

This table has a stone top and comes with adjustable glides. Ships knocked down with assembly required. Top and base components ship in separate packages.

Notes

Stone top is 3/4" thick and has a full bullnose edge profile.
Marble tops have a honed finish; quartz tops have a polished finish.
Natural characteristics in stone cause variations in hues, veins, crystals, and distinctive marks. These variations and subtle changes seen as the stone ages are values associated with natural materials. No two tabletops are identically the same; variations in both color and veining are to be expected. Over time the stone may fade in color, staining of the surface may appear, and surface cracks, if not already visible at time of purchase, may appear. Small cracks do not affect the structure of the tabletop.

Dimensions



Segmented Base

Specification Information

Step 1.

ET A

Step 2. Height

2 25 1/2" high A

Step 3. Depth/Width

87V 30" deep x 60" wide A

43V 36" deep x 72" wide A

50V 42" deep x 66" wide A

52V 42" deep x 78" wide A

Step 4. Base

S segmented base A

Step 5. Surface Material

S stone top A

Prices for Steps 1-5.

	S
ET287V S	\$14015
ET243V S	\$15674
ET250V S	\$15260
ET252V S	\$16075

Step 6. Top Finish

For 30" deep x 60" wide (87V) with stone top (S)

5U georgia grey marble <input type="checkbox"/> A	+\$700
CRR Carrara marble <input type="checkbox"/> A	+\$450
QBL black quartz <input type="checkbox"/> A	-\$400
QCN concrete quartz <input type="checkbox"/> A	-\$1200
QPL pearl quartz <input type="checkbox"/> A	-\$1200

For 36" deep x 72" wide (43V) with stone top (S)

5U georgia grey marble <input type="checkbox"/> A	+\$0
CRR Carrara marble <input type="checkbox"/> A	-\$300
QBL black quartz <input type="checkbox"/> A	-\$350
QCN concrete quartz <input type="checkbox"/> A	-\$2000
QPL pearl quartz <input type="checkbox"/> A	-\$2000

Eames® Low Conference Table, Oval,
Stone *continued*

For 42" deep x 66" wide (50V) with stone top (S)

5U	georgia grey marble <input type="checkbox"/>	+ \$1117
CRR	Carrara marble <input type="checkbox"/>	+ \$500
QBL	black quartz <input type="checkbox"/>	- \$500
QCN	concrete quartz <input type="checkbox"/>	- \$2000
QPL	pearl quartz <input type="checkbox"/>	- \$2000

For 42" deep x 78" wide (52V) with stone top (S)

5U	georgia grey marble <input type="checkbox"/>	+ \$1177
CRR	Carrara marble <input type="checkbox"/>	+ \$500
QBL	black quartz <input type="checkbox"/>	- \$500
QCN	concrete quartz <input type="checkbox"/>	- \$2000
QPL	pearl quartz <input type="checkbox"/>	- \$2000

Step 7. Column Finish

611	beige mist metallic (CP) <input type="checkbox"/>	+ \$0
613	silver (CP) <input type="checkbox"/>	+ \$0
G1	graphite (CP) <input type="checkbox"/>	+ \$0
91	white (CP) <input type="checkbox"/>	+ \$0
BK	black <input type="checkbox"/>	+ \$0
CL	cool grey neutral <input type="checkbox"/>	+ \$0
HF	inner tone light <input type="checkbox"/>	+ \$0
LT	light tone <input type="checkbox"/>	+ \$0
LU	soft white <input type="checkbox"/>	+ \$0
MT	medium tone <input type="checkbox"/>	+ \$0
SG	slate grey <input type="checkbox"/>	+ \$0
WN	warm grey neutral <input type="checkbox"/>	+ \$0
EH	metallic bronze <input type="checkbox"/>	+ \$0

Step 8. Base Finish

611	beige mist metallic (CP) <input type="checkbox"/>	+ \$0
613	silver (CP) <input type="checkbox"/>	+ \$0
G1	graphite (CP) <input type="checkbox"/>	+ \$0
91	white (CP) <input type="checkbox"/>	+ \$0
BK	black <input type="checkbox"/>	+ \$0
CL	cool grey neutral <input type="checkbox"/>	+ \$0
EH	metallic bronze <input type="checkbox"/>	+ \$0
HF	inner tone light <input type="checkbox"/>	+ \$0
LT	light tone <input type="checkbox"/>	+ \$0
LU	soft white <input type="checkbox"/>	+ \$0
MT	medium tone <input type="checkbox"/>	+ \$0
PA	polished aluminum <input type="checkbox"/>	+ \$0
SG	slate grey <input type="checkbox"/>	+ \$0
WN	warm grey neutral <input type="checkbox"/>	+ \$0

Eames® Conference Table, Round

- ET107
- ET108
- ET122
- ET123
- ET124
- ET125
- ET126
- ET127
- ET129

ET131



Product Information

Description

This table has a laminate or veneer top with vinyl edge, a veneer top and edge, a thin-profile HPL top with black edge, a back-painted glass top with modified bullnose edge, or a solid wood top. Table may be specified with cutouts to accommodate simple power options (specified separately). Each table has adjustable glides. Shipped knocked down.

Notes

30"-60" tables have a 1-piece top and single column base. 66"-96" tables have 2-piece tops and a 4-column segmented base.

Laminate tops 30"-48" diameter are 7/8" thick; tops 54"-96" diameter are 1 1/8" thick.

Veneer tops 30"-48" diameter are 3/4" thick; tops 54"-96" diameter are 1 1/8" thick. Thin profile HPL tops are 1/2" thick.

Glass tops are back-painted, with a satin etch finish to reduce the appearance of fingerprints. Tops 30"-48" diameter are 1/2" thick; tops 54"-60" diameter are 3/8" thick.

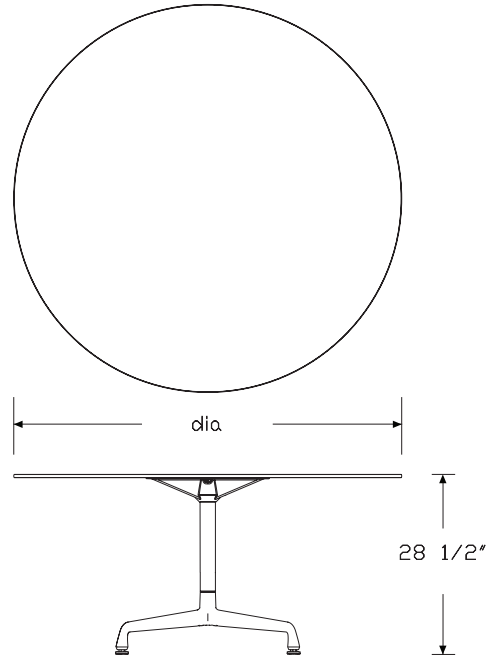
30" and 36" diameter tables may only accommodate USB access. Single center cutout (CC) grommet option must be specified. Grommet option is a non-functional hole plug. For USB access, order round dual USB charging unit (ET990.) separately.

42"-60" diameter tables may accommodate power. Single center cutout (CC) grommet option must be specified. Grommet provides simple pass-through with wire management features and a hinged lid. For power access, order round power module (ET991.) separately.

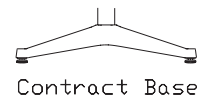
Multiple column tables (66"-96" diameter) may accommodate up to 4 power modules. Four cutouts (C4) option must be specified; cutouts are aligned above the columns. Grommets provide simple pass-through with wire management features and a hinged lid. For power access, order round power module (ET991.) separately.

Santos palisander veneer is celebrated for its unique grain and color variations. Similar products ordered in multiples or dissimilar products ordered separately should be expected to have variation in both grain and color characteristics; no two products will look exactly alike.

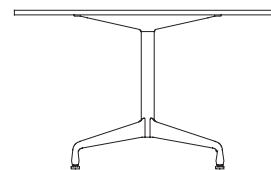
Dimensions



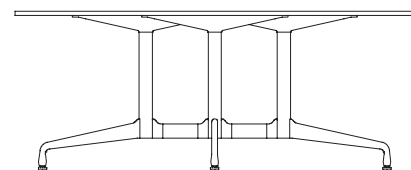
Universal Base



Contract Base



30"-60" Diameter, Segmented Base



66"-96" Diameter, Segmented Base

Eames® Conference Table, Round

continued

Eames® Tables

Specification Information

Step 1.

ET

Step 2. Height

1 28½" high

Step 3. Diameter

07 30" diameter

08 36" diameter

22 42" diameter

23 48" diameter

24 54" diameter

25 60" diameter

26 66" diameter

27 72" diameter

29 84" diameter

31 96" diameter

Step 4. Base

For 54" diameter (24), 60" diameter (25), 66" diameter (26), 72" diameter (27), 84" diameter (29), or 96" diameter (31)

S segmented base

For 42" diameter (22) or 48" diameter (23)

C contract base

S segmented base

For 30" diameter (07) or 36" diameter (08)

C contract base

U universal base

Step 5. Surface Material

For 30" diameter (07), 36" diameter (08), or 42" diameter (22)

L high-pressure laminate top with vinyl edge

C veneer top with vinyl edge A

W veneer top with veneer edge A

M thin profile HPL top with black edge

G back-painted glass top

SW solid wood top A

For 48" diameter (23)

L high-pressure laminate top with vinyl edge A

C veneer top with vinyl edge A

W veneer top with veneer edge A

M thin profile HPL top with black edge A

G back-painted glass top A

For 66" diameter (26), 72" diameter (27), 84" diameter (29), or 96" diameter (31)

L high-pressure laminate top with vinyl edge

C veneer top with vinyl edge

W veneer top with veneer edge

For 54" diameter (24) or 60" diameter (25)

L high-pressure laminate top with vinyl edge A

C veneer top with vinyl edge A

W veneer top with veneer edge A

G back-painted glass top A

Step 6. Grommets

For 30" diameter (07), 36" diameter (08), 42" diameter (22), 48" diameter (23), 54" diameter (24), or 60" diameter (25)

NG no grommet

CC single center cutout

For 66" diameter (26), 72" diameter (27), 84" diameter (29), or 96" diameter (31)

NG no grommet

C4 four cutouts

Prices for Steps 1-6.

			NG	C4	CC
ET107	C	L	\$1271	—	1338
		C	\$1493	—	1558
	W	M	\$1683	—	1749
		G	\$2319	—	2434
	SW	L	\$5070	—	5690
		C	\$4459	—	5130
	U	L	\$1271	—	1338
		C	\$1493	—	1558
		W	\$1683	—	1749
		M	\$2319	—	2434
G		\$5070	—	5690	
SW		\$4459	—	5130	

Eames® Conference Table, Round

continued

			NG	C4	CC
ET108	C	L	\$1386	—	1451
		C	\$1607	—	1671
		W	\$1856	—	1918
		M	\$2840	—	2951
		G	\$6173	—	6741
		SW	\$5770	—	6400
U	L	L	\$1386	—	1451
		C	\$1607	—	1671
		W	\$1856	—	1918
		M	\$2840	—	2951
		G	\$6173	—	6741
		SW	\$5770	—	6400
			NG	C4	CC
ET122	C	L	\$1875	—	2214
		C	\$2156	—	2493
		W	\$2420	—	2759
		M	\$4777	—	5117
		G	\$8517	—	9312
		SW	\$7233	—	7905
S	L	L	\$1875	—	2214
		C	\$2156	—	2493
		W	\$2420	—	2759
		M	\$4777	—	5117
		G	\$8517	—	9312
		SW	\$7233	—	7905
			NG	C4	CC
ET123	C	L	\$2065	—	2407
		C	\$2362	—	2701
		W	\$2613	—	2950
		M	\$4893	—	5235
		G	\$10537	—	11344
		SW	\$2065	—	2407
S	L	L	\$2065	—	2407
		C	\$2362	—	2701
		W	\$2613	—	2950
		M	\$4893	—	5235
		G	\$10537	—	11344
		SW	\$2065	—	2407
			NG	C4	CC
ET124	S	L	\$2568	—	2904
		C	\$2977	—	3319
		W	\$3171	—	3508
		G	\$14807	—	15354

			NG	C4	CC
ET125	S	L	\$3319	—	3657
		C	\$3802	—	4143
		W	\$4245	—	4585
		G	\$17739	—	18446
			NG	C4	CC
ET126	S	L	\$4832	6190	—
		C	\$5349	6706	—
		W	\$5939	7296	—
			NG	C4	CC
ET127	S	L	\$5038	6393	—
		C	\$5704	7058	—
		W	\$6364	7723	—
			NG	C4	CC
ET129	S	L	\$5688	7042	—
		C	\$6617	7973	—
		W	\$7354	8708	—
			NG	C4	CC
ET131	S	L	\$6907	8262	—
		C	\$8135	9489	—
		W	\$9017	10373	—

Step 7.

Top Finish: Finish

For 30" diameter (07), 36" diameter (08), 42" diameter (22), 48" diameter (23), 54" diameter (24), or 60" diameter (25) with back-painted glass top (G)

8Q	folkstone grey (CP)	+\$0
91	white (CP)	+\$0
BK	black	+\$0
WN	warm grey neutral	+\$0

Top Finish: Finish

For 30" diameter (07), 36" diameter (08), 42" diameter (22), 48" diameter (23), 54" diameter (24), or 60" diameter (25) with thin profile HPL top with black edge (M)

91	white (CP)	+\$0
G1	graphite (CP)	+\$0
BK	black	+\$0

Eames® Conference Table, Round

continued

Eames® Tables

Top Finish: Solid-Color Laminate		
<i>For 30" diameter (07), 36" diameter (08), 42" diameter (22), 48" diameter (23), 54" diameter (24), 60" diameter (25), 66" diameter (26), 72" diameter (27), 84" diameter (29), or 96" diameter (31) with high-pressure laminate top with vinyl edge (L)</i>		
8Q	folkstone grey (CP)	+\$0
91	white (CP)	+\$0
98	studio white (CP)	+\$0
BKM	black matte	+\$0
CL	cool grey neutral	+\$0
HF	inner tone light	+\$0
LT	light tone	+\$0
LU	soft white	+\$0
WL	warm stone (CP)	+\$0
WN	warm grey neutral	+\$0

Top Finish		
<i>For 30" diameter (07) with solid wood top (SW)</i>		
OU	walnut A	+\$335
WHN	natural white oak A	+\$0

Top Finish		
<i>For 36" diameter (08) with solid wood top (SW)</i>		
OU	walnut A	+\$480
WHN	natural white oak A	+\$0

Top Finish		
<i>For 42" diameter (22) with solid wood top (SW)</i>		
OU	walnut A	+\$580
WHN	natural white oak A	+\$0

Top Finish: Wood Veneer		
<i>For 30" diameter (07) or 36" diameter (08) with veneer top with vinyl edge (C)</i>		
2U	light brown walnut	+\$105
40	dark brown walnut	+\$105
9N	santos palisander	+\$380
A2	white ash	+\$105
CHD	noble cherry	+\$105
EN	ebony	+\$105
OU	walnut	+\$105
UL	natural maple	+\$105
WHN	natural white oak	+\$105

Top Finish: Wood Veneer		
<i>For 42" diameter (22) with veneer top with vinyl edge (C)</i>		
2U	light brown walnut	+\$130
40	dark brown walnut	+\$130
9N	santos palisander	+\$720
A2	white ash	+\$130
CHD	noble cherry	+\$130
EN	ebony	+\$130
OU	walnut	+\$130
UL	natural maple	+\$130
WHN	natural white oak	+\$130

Top Finish: Wood Veneer		
<i>For 48" diameter (23) with veneer top with vinyl edge (C)</i>		
2U	light brown walnut	+\$175
40	dark brown walnut	+\$175
9N	santos palisander	+\$839
A2	white ash	+\$175
CHD	noble cherry	+\$175
EN	ebony	+\$175
OU	walnut	+\$175
UL	natural maple	+\$175
WHN	natural white oak	+\$175

Top Finish: Wood Veneer		
<i>For 54" diameter (24) with veneer top with vinyl edge (C)</i>		
2U	light brown walnut	+\$230
40	dark brown walnut	+\$230
9N	santos palisander	+\$976
A2	white ash	+\$230
CHD	noble cherry	+\$230
EN	ebony	+\$230
OU	walnut	+\$230
UL	natural maple	+\$230
WHN	natural white oak	+\$230

Top Finish: Wood Veneer		
<i>For 60" diameter (25) with veneer top with vinyl edge (C)</i>		
2U	light brown walnut	+\$365
40	dark brown walnut	+\$365
9N	santos palisander	+\$2044
A2	white ash	+\$365
CHD	noble cherry	+\$365
EN	ebony	+\$365
OU	walnut	+\$365
UL	natural maple	+\$365
WHN	natural white oak	+\$365

Eames® Conference Table, Round

continued

Top Finish: Wood Veneer		
<i>For 66" diameter (26) with veneer top with vinyl edge (C)</i>		
2U	light brown walnut	+\$365
40	dark brown walnut	+\$365
9N	santos palisander	+\$2044
A2	white ash	+\$365
CHD	noble cherry	+\$365
EN	ebony	+\$365
OU	walnut	+\$365
UL	natural maple	+\$365
WHN	natural white oak	+\$365

Top Finish: Wood Veneer		
<i>For 72" diameter (27) with veneer top with vinyl edge (C)</i>		
2U	light brown walnut	+\$365
40	dark brown walnut	+\$365
9N	santos palisander	+\$2044
A2	white ash	+\$365
CHD	noble cherry	+\$365
EN	ebony	+\$365
OU	walnut	+\$365
UL	natural maple	+\$365
WHN	natural white oak	+\$365

Top Finish: Wood Veneer		
<i>For 84" diameter (29) with veneer top with vinyl edge (C)</i>		
2U	light brown walnut	+\$425
40	dark brown walnut	+\$425
9N	santos palisander	+\$2380
A2	white ash	+\$425
CHD	noble cherry	+\$425
EN	ebony	+\$425
OU	walnut	+\$425
UL	natural maple	+\$425
WHN	natural white oak	+\$425

Top Finish: Wood Veneer		
<i>For 96" diameter (31) with veneer top with vinyl edge (C)</i>		
2U	light brown walnut	+\$495
40	dark brown walnut	+\$495
9N	santos palisander	+\$2782
A2	white ash	+\$495
CHD	noble cherry	+\$495
EN	ebony	+\$495
OU	walnut	+\$495
UL	natural maple	+\$495
WHN	natural white oak	+\$495

Top/Edge Finish		
<i>For 30" diameter (07) or 36" diameter (08) with veneer top with veneer edge (W)</i>		
2U	light brown walnut	+\$105
40	dark brown walnut	+\$105
9N	santos palisander	+\$380
A2	white ash	+\$105
CHD	noble cherry	+\$105
EN	ebony	+\$105
OU	walnut	+\$105
UL	natural maple	+\$105
WHN	natural white oak	+\$105

Top/Edge Finish		
<i>For 42" diameter (22) with veneer top with veneer edge (W)</i>		
2U	light brown walnut	+\$130
40	dark brown walnut	+\$130
9N	santos palisander	+\$720
A2	white ash	+\$130
CHD	noble cherry	+\$130
EN	ebony	+\$130
OU	walnut	+\$130
UL	natural maple	+\$130
WHN	natural white oak	+\$130

Top/Edge Finish		
<i>For 48" diameter (23) with veneer top with veneer edge (W)</i>		
2U	light brown walnut	+\$175
40	dark brown walnut	+\$175
9N	santos palisander	+\$839
A2	white ash	+\$175
CHD	noble cherry	+\$175
EN	ebony	+\$175
OU	walnut	+\$175
UL	natural maple	+\$175
WHN	natural white oak	+\$175

Eames® Conference Table, Round

continued

Eames® Tables

Top/Edge Finish		
<i>For 54" diameter (24) with veneer top with veneer edge (W)</i>		
2U	light brown walnut	+\$230
40	dark brown walnut	+\$230
9N	santos palisander	+\$976
A2	white ash	+\$230
CHD	noble cherry	+\$230
EN	ebony	+\$230
OU	walnut	+\$230
UL	natural maple	+\$230
WHN	natural white oak	+\$230

Top/Edge Finish		
<i>For 60" diameter (25) with veneer top with veneer edge (W)</i>		
2U	light brown walnut	+\$365
40	dark brown walnut	+\$365
9N	santos palisander	+\$2044
A2	white ash	+\$365
CHD	noble cherry	+\$365
EN	ebony	+\$365
OU	walnut	+\$365
UL	natural maple	+\$365
WHN	natural white oak	+\$365

Top/Edge Finish		
<i>For 66" diameter (26) with veneer top with veneer edge (W)</i>		
2U	light brown walnut	+\$365
40	dark brown walnut	+\$365
9N	santos palisander	+\$2044
A2	white ash	+\$365
CHD	noble cherry	+\$365
EN	ebony	+\$365
OU	walnut	+\$365
UL	natural maple	+\$365
WHN	natural white oak	+\$365

Top/Edge Finish		
<i>For 72" diameter (27) with veneer top with veneer edge (W)</i>		
2U	light brown walnut	+\$365
40	dark brown walnut	+\$365
9N	santos palisander	+\$2044
A2	white ash	+\$365
CHD	noble cherry	+\$365
EN	ebony	+\$365
OU	walnut	+\$365
UL	natural maple	+\$365
WHN	natural white oak	+\$365

Top/Edge Finish		
<i>For 84" diameter (29) with veneer top with veneer edge (W)</i>		
2U	light brown walnut	+\$425
40	dark brown walnut	+\$425
9N	santos palisander	+\$2380
A2	white ash	+\$425
CHD	noble cherry	+\$425
EN	ebony	+\$425
OU	walnut	+\$425
UL	natural maple	+\$425
WHN	natural white oak	+\$425

Top/Edge Finish		
<i>For 96" diameter (31) with veneer top with veneer edge (W)</i>		
2U	light brown walnut	+\$495
40	dark brown walnut	+\$495
9N	santos palisander	+\$2782
A2	white ash	+\$495
CHD	noble cherry	+\$495
EN	ebony	+\$495
OU	walnut	+\$495
UL	natural maple	+\$495
WHN	natural white oak	+\$495

Step 8. Edge Finish		
<i>For high-pressure laminate top with vinyl edge (L) or veneer top with vinyl edge (C)</i>		
8Q	folkstone grey (CP)	+\$0
91	white (CP)	+\$0
98	studio white (CP)	+\$0
BK	black	+\$0
CL	cool grey neutral	+\$0
HF	inner tone light	+\$0
LT	light tone	+\$0
LU	soft white	+\$0
SG	slate grey	+\$0
WL	warm stone (CP)	+\$0
WN	warm grey neutral	+\$0

Step 9. Grommet Finish		
<i>For 30" diameter (07) or 36" diameter (08) with high-pressure laminate top with vinyl edge (L), veneer top with vinyl edge (C), or veneer top with veneer edge (W), or thin profile HPL top with black edge (M), or back-painted glass top (G) with single center cutout (CC)</i>		
PA	polished aluminum	+\$0

Eames® Conference Table, Round

continued

For 30" diameter (07) or 36" diameter (08) with solid wood top (SW) with single center cutout (CC)

NF	no finish A	+\$0
-----------	---	------

For 42" diameter (22), 48" diameter (23), 54" diameter (24), 60" diameter (25), 66" diameter (26), 72" diameter (27), 84" diameter (29), or 96" diameter (31) with high-pressure laminate top with vinyl edge (L), or veneer top with vinyl edge (C), or veneer top with veneer edge (W), or thin profile HPL top with black edge (M), or back-painted glass top (G) with four cutouts (C4), or single center cutout (CC)

91	white (CP)	+\$0
BK	black	+\$0
PA	polished aluminum	+\$0

For 42" diameter (22) with solid wood top (SW) with single center cutout (CC)

91	white (CP) A	+\$0
BK	black A	+\$0
PA	polished aluminum A	+\$0

Step 10. Column Finish

611	beige mist metallic (CP)	+\$0
613	silver (CP)	+\$0
G1	graphite (CP)	+\$0
91	white (CP)	+\$0
BK	black	+\$0
CL	cool grey neutral	+\$0
EH	metallic bronze	+\$0
HF	inner tone light	+\$0
LT	light tone	+\$0
LU	soft white	+\$0
MT	medium tone	+\$0
SG	slate grey	+\$0
WN	warm grey neutral	+\$0

Step 11. Base Finish

611	beige mist metallic (CP)	+\$0
613	silver (CP)	+\$0
G1	graphite (CP)	+\$0
91	white (CP)	+\$0
BK	black	+\$0
CL	cool grey neutral	+\$0
EH	metallic bronze	+\$0
HF	inner tone light	+\$0
LT	light tone	+\$0
LU	soft white	+\$0
MT	medium tone	+\$0
PA	polished aluminum	+\$0
SG	slate grey	+\$0
WN	warm grey neutral	+\$0

Step 12. Casters/Glides

For 30" diameter (07), 36" diameter (08), 42" diameter (22), 48" diameter (23), or 54" diameter (24) with high-pressure laminate top with vinyl edge (L), or veneer top with vinyl edge (C), or veneer top with veneer edge (W), or thin profile HPL top with black edge (M), or solid wood top (SW)

G	glides	+\$0
----------	--------	------

For 30" diameter (07), 36" diameter (08), 42" diameter (22), 48" diameter (23), 54" diameter (24), 60" diameter (25), 66" diameter (26), 72" diameter (27), 84" diameter (29), or 96" diameter (31) with high-pressure laminate top with vinyl edge (L), or veneer top with vinyl edge (C), or veneer top with veneer edge (W), or back-painted glass top (G)

G	glides	+\$0
----------	--------	------

Eames® Indoor/Outdoor Table, Round ET5C.
Herman Miller x HAY

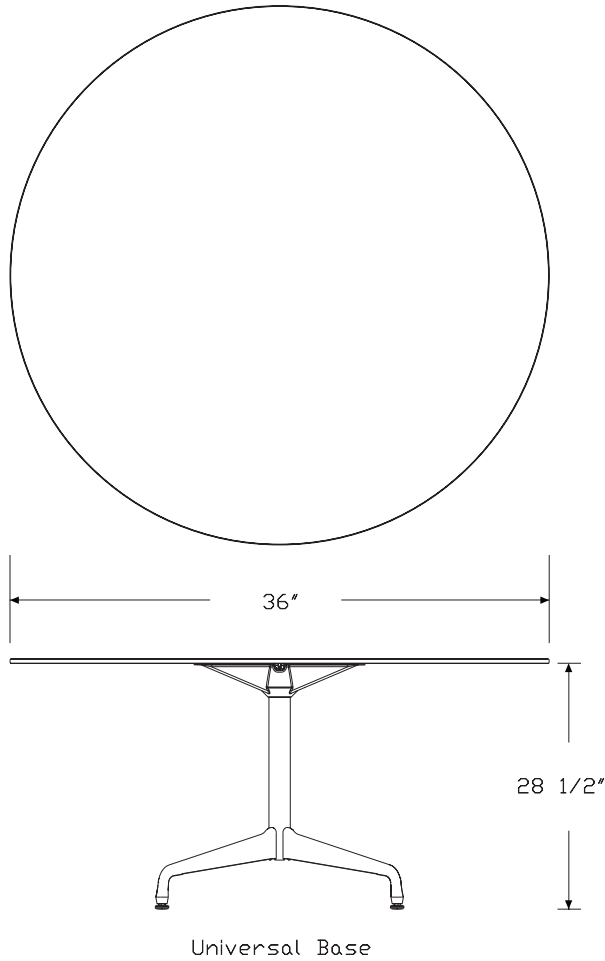


Eames® Tables

Product Information

Description
This outdoor table has a glass top and comes with adjustable glides. Ships knocked down with assembly required. Top and base components ship in separate packages.

Dimensions



Specification Information

Step 1.

ET5C. A \$5075

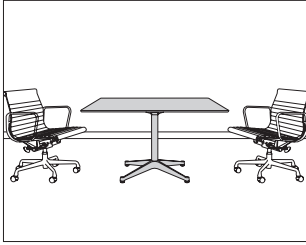
Step 2. Color Finish

RND iron red A +\$0

TFE toffee A +\$0

Eames® Conference Table, Square

ET104
ET105
ET106
ET148



Product Information

Description

This table has a laminate or veneer top with vinyl edge, a veneer top and edge, a thin-profile HPL top with black edge, a back-painted glass top with modified bullnose edge, or a solid wood top. Table may be specified with cutouts to accommodate simple power options (specified separately). Each table has adjustable glides. Shipped knocked down.

Notes

Tables have a 1-piece top and single column base.

Laminate tops are 7/8" thick.

Veneer tops are 3/4" thick.

Thin profile HPL tops are 1/2" thick.

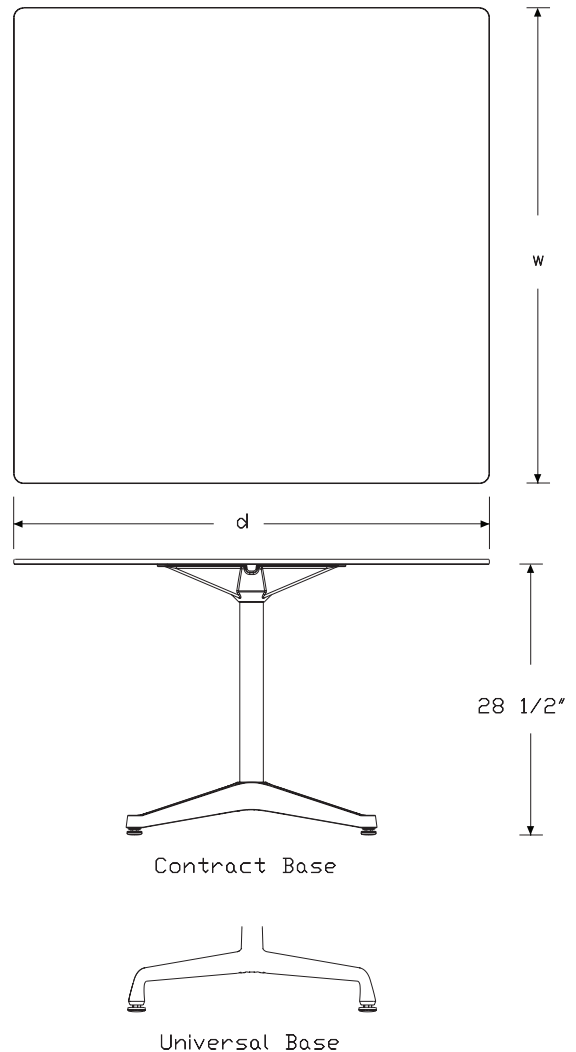
Glass tops are back-painted, with a satin etch finish to reduce the appearance of fingerprints. Tops are 1/2" thick.

30" and 36" tables may only accommodate USB access. Single center cutout (CC) grommet option must be specified. Grommet option is a non-functional hole plug. For USB access, order round dual USB charging unit (ET990.) separately.

42" and 48" tables may accommodate power. Single center cutout (CC) grommet option must be specified. Grommet provides simple pass-through with wire management features and a hinged lid. For power access, order round power module (ET991.) separately.

Santos palisander veneer is celebrated for its unique grain and color variations. Similar products ordered in multiples or dissimilar products ordered separately should be expected to have variation in both grain and color characteristics; no two products will look exactly alike.

Dimensions



Eames® Conference Table, Square

continued

Eames® Tables

Specification Information

Step 1.

ET

Step 2. Height

1 28½" high

Step 3. Depth/Width

04 30" deep x 30" wide

05 36" deep x 36" wide

06 42" deep x 42" wide

48 48" deep x 48" wide

Step 4. Base

For 30" deep x 30" wide (04) or 36" deep x 36" wide (05)

C contract base

U universal base

For 42" deep x 42" wide (06) or 48" deep x 48" wide (48)

C contract base

Step 5. Surface Material

For 30" deep x 30" wide (04), 36" deep x 36" wide (05), or 42" deep x 42" wide (06)

L high-pressure laminate top with vinyl edge

C veneer top with vinyl edge

W veneer top with veneer edge

M thin profile HPL top with black edge

G back-painted glass top

SW solid wood top A

For 48" deep x 48" wide (48)

L high-pressure laminate top with vinyl edge A

C veneer top with vinyl edge A

W veneer top with veneer edge A

M thin profile HPL top with black edge A

G back-painted glass top A

Step 6. Grommets

NG no grommet

CC single center cutout

Prices for Steps 1-6.

			NG	CC
ET104	C	L	\$1271	1338
		C	\$1493	1558
	W	M	\$1683	1749
		G	\$2319	2434
	SW	G	\$5070	5690
		SW	\$4459	5130
	U	L	\$1271	1338
		C	\$1493	1558
		W	\$1683	1749
		M	\$2319	2434
G		\$5070	5690	
SW		\$4459	5130	

			NG	CC
ET105	C	L	\$1476	1546
		C	\$1712	1780
	W	M	\$1977	2044
		G	\$3025	3143
	SW	G	\$6573	7178
		SW	\$6145	6816
	U	L	\$1476	1546
		C	\$1712	1780
		W	\$1977	2044
		M	\$3025	3143
G		\$6573	7178	
SW		\$6145	6816	

			NG	CC
ET106	C	L	\$1875	2214
		C	\$2156	2493
	W	M	\$2420	2759
		G	\$4777	5117
	SW	G	\$8517	9312
		SW	\$7233	7905

			NG	CC
ET148	C	L	\$2065	2407
		C	\$2362	2701
	W	M	\$2613	2950
		G	\$4893	5235
	G	\$10537	11344	

Eames® Conference Table, Square

continued

Step 7.

Top Finish: Finish

For back-painted glass top (G)

8Q	folkstone grey (CP)	+\$0
91	white (CP)	+\$0
BK	black	+\$0
WN	warm grey neutral	+\$0

Top Finish: Finish

For thin profile HPL top with black edge (M)

91	white (CP)	+\$0
G1	graphite (CP)	+\$0
BK	black	+\$0

Top Finish: Solid-Color Laminate

For high-pressure laminate top with vinyl edge (L)

8Q	folkstone grey (CP)	+\$0
91	white (CP)	+\$0
98	studio white (CP)	+\$0
BKM	black matte	+\$0
CL	cool grey neutral	+\$0
HF	inner tone light	+\$0
LT	light tone	+\$0
LU	soft white	+\$0
WL	warm stone (CP)	+\$0
WN	warm grey neutral	+\$0

Top Finish

For 30" deep x 30" wide (04) with solid wood top (SW)

OU	walnut <input type="checkbox"/>	+\$335
WHN	natural white oak <input type="checkbox"/>	+\$0

Top Finish

For 36" deep x 36" wide (05) with solid wood top (SW)

OU	walnut <input type="checkbox"/>	+\$480
WHN	natural white oak <input type="checkbox"/>	+\$0

Top Finish

For 42" deep x 42" wide (06) with solid wood top (SW)

OU	walnut <input type="checkbox"/>	+\$580
WHN	natural white oak <input type="checkbox"/>	+\$0

Top Finish: Wood Veneer

For 30" deep x 30" wide (04) or 36" deep x 36" wide (05) with veneer top with vinyl edge (C)

2U	light brown walnut	+\$105
40	dark brown walnut	+\$105
9N	santos palisander	+\$380
A2	white ash	+\$105
CHD	noble cherry	+\$105
EN	ebony	+\$105
OU	walnut	+\$105
UL	natural maple	+\$105
WHN	natural white oak	+\$0

Top Finish: Wood Veneer

For 42" deep x 42" wide (06) with veneer top with vinyl edge (C)

2U	light brown walnut	+\$130
40	dark brown walnut	+\$130
9N	santos palisander	+\$720
A2	white ash	+\$130
CHD	noble cherry	+\$130
EN	ebony	+\$130
OU	walnut	+\$130
UL	natural maple	+\$130
WHN	natural white oak	+\$0

Top Finish: Wood Veneer

For 48" deep x 48" wide (48) with veneer top with vinyl edge (C)

2U	light brown walnut	+\$175
40	dark brown walnut	+\$175
9N	santos palisander	+\$839
A2	white ash	+\$175
CHD	noble cherry	+\$175
EN	ebony	+\$175
OU	walnut	+\$175
UL	natural maple	+\$175
WHN	natural white oak	+\$0

Eames® Conference Table, Square

continued

Eames® Tables

Top/Edge Finish		
<i>For 30" deep x 30" wide (04) or 36" deep x 36" wide (05) with veneer top with veneer edge (W)</i>		
2U	light brown walnut	+\$105
40	dark brown walnut	+\$105
9N	santos palisander	+\$380
A2	white ash	+\$105
CHD	noble cherry	+\$105
EN	ebony	+\$105
OU	walnut	+\$105
UL	natural maple	+\$105
WHN	natural white oak	+\$0

Top/Edge Finish		
<i>For 42" deep x 42" wide (06) with veneer top with veneer edge (W)</i>		
2U	light brown walnut	+\$130
40	dark brown walnut	+\$130
9N	santos palisander	+\$720
A2	white ash	+\$130
CHD	noble cherry	+\$130
EN	ebony	+\$130
OU	walnut	+\$130
UL	natural maple	+\$130
WHN	natural white oak	+\$0

Top/Edge Finish		
<i>For 48" deep x 48" wide (48) with veneer top with veneer edge (W)</i>		
2U	light brown walnut	+\$175
40	dark brown walnut	+\$175
9N	santos palisander	+\$839
A2	white ash	+\$175
CHD	noble cherry	+\$175
EN	ebony	+\$175
OU	walnut	+\$175
UL	natural maple	+\$175
WHN	natural white oak	+\$0

Step 8. Edge Finish		
<i>For high-pressure laminate top with vinyl edge (L) or veneer top with vinyl edge (C)</i>		
8Q	folkstone grey (CP)	+\$0
91	white (CP)	+\$0
98	studio white (CP)	+\$0
BK	black	+\$0
CL	cool grey neutral	+\$0
HF	inner tone light	+\$0
LT	light tone	+\$0
LU	soft white	+\$0
SG	slate grey	+\$0
WL	warm stone (CP)	+\$0
WN	warm grey neutral	+\$0

Step 9. Grommet Finish		
<i>For 30" deep x 30" wide (04) or 36" deep x 36" wide (05) with high-pressure laminate top with vinyl edge (L), veneer top with vinyl edge (C), or veneer top with veneer edge (W), or thin profile HPL top with black edge (M), or back-painted glass top (G) with single center cutout (CC)</i>		
PA	polished aluminum	+\$0
<i>For 30" deep x 30" wide (04) or 36" deep x 36" wide (05) with solid wood top (SW) with single center cutout (CC)</i>		
NF	no finish <input type="checkbox"/>	+\$0

<i>For 42" deep x 42" wide (06) or 48" deep x 48" wide (48) with high-pressure laminate top with vinyl edge (L), veneer top with vinyl edge (C), or veneer top with veneer edge (W), or thin profile HPL top with black edge (M), or back-painted glass top (G) with single center cutout (CC)</i>		
91	white (CP)	+\$0
BK	black	+\$0
PA	polished aluminum	+\$0
<i>For 42" deep x 42" wide (06) with solid wood top (SW) with single center cutout (CC)</i>		
91	white (CP) <input type="checkbox"/>	+\$0
BK	black <input type="checkbox"/>	+\$0
PA	polished aluminum <input type="checkbox"/>	+\$0

Eames® Conference Table, Square

continued

Step 10. Column Finish		
611	beige mist metallic (CP)	+\$0
613	silver (CP)	+\$0
G1	graphite (CP)	+\$0
91	white (CP)	+\$0
BK	black	+\$0
CL	cool grey neutral	+\$0
EH	metallic bronze	+\$0
HF	inner tone light	+\$0
LT	light tone	+\$0
LU	soft white	+\$0
MT	medium tone	+\$0
SG	slate grey	+\$0
WN	warm grey neutral	+\$0

Step 11. Base Finish		
611	beige mist metallic (CP)	+\$0
613	silver (CP)	+\$0
G1	graphite (CP)	+\$0
91	white (CP)	+\$0
BK	black	+\$0
CL	cool grey neutral	+\$0
EH	metallic bronze	+\$0
HF	inner tone light	+\$0
LT	light tone	+\$0
LU	soft white	+\$0
MT	medium tone	+\$0
PA	polished aluminum	+\$0
SG	slate grey	+\$0
WN	warm grey neutral	+\$0

Step 12. Casters/Glides

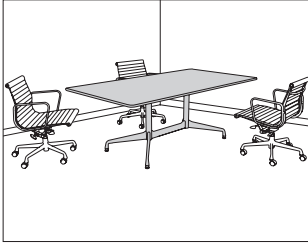
For high-pressure laminate top with vinyl edge (L), veneer top with vinyl edge (C), veneer top with veneer edge (W), thin profile HPL top with black edge (M), or solid wood top (SW)

G	glides	+\$0
---	--------	------

For back-painted glass top (G)

G	glides	+\$0
---	--------	------

Eames® Conference Table, Rectangular



ET142	ET155	ET168	ET178
ET143	ET156	ET170	ET187
ET144	ET157	ET171	ET188
ET145	ET158	ET172	ET189
ET147	ET160	ET173	
ET150	ET161	ET174	
ET151	ET162	ET175	
ET152	ET164	ET176	
ET154	ET166	ET177	

Product Information

Description

This segmented base table has a laminate or veneer top with vinyl edge, a veneer top and edge, a thin-profile HPL top with black edge, a back-painted glass top with modified bullnose edge, or a solid wood top. Table may be specified with cutouts to accommodate simple power options (specified separately). Each table has adjustable glides or casters. Shipped knocked down.

Notes

60"-wide to 96"-wide tables have a 1-piece top and 2-column segmented base. 60"-deep tables have a dual run of columns.

For veneer tables, 108"-wide to 192"-wide tops are shipped in 2 equal pieces; 216"-wide and 264"-wide tops are shipped in 3 equal pieces.

For laminate tables, 108"-wide tables have a 1-piece top; 120"-wide to 216"-wide tops are shipped in 2 equal pieces; 240"-wide and 264"-wide tops are shipped in 3 equal pieces.

Laminate and veneer tops are 1 1/4" thick.

Thin profile HPL tops are 1/2" thick.

Glass tops are back-painted, with a satin etch finish to reduce the appearance of fingerprints. Tops up to 42"×78" are 1/2" thick; tops 42"×84" to 60"×120" are 3/8" thick with a Formcoat® substructure.

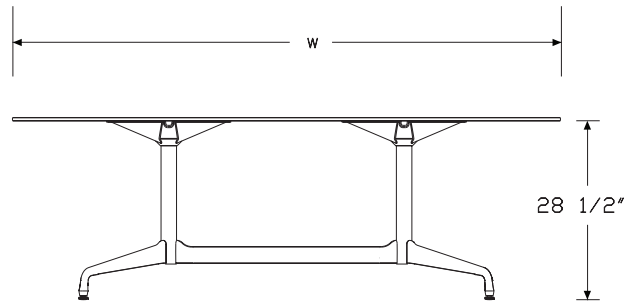
Tables may be specified with cutouts for power in various configurations. Round cutouts align with columns, and oval cutouts are centered between columns.

Order the following compatible power components separately:

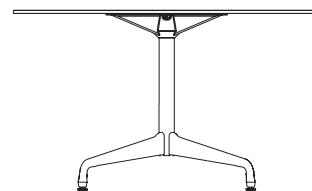
- Round power module (ET991.)
- Oval power module (ET992.)
- Pair of oval power modules (ET993.)
- Oval power module & undermount power (ET994.)
- Pair of oval power modules & undermount power (ET995.)

Santos palisander veneer is celebrated for its unique grain and color variations. Similar products ordered in multiples or dissimilar products ordered separately should be expected to have variation in both grain and color characteristics; no two products will look exactly alike.

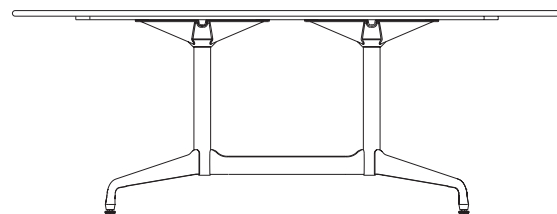
Dimensions



Segmented Base, Width View



30"-54", Depth View



60", Depth View

Eames® Conference Table,
Rectangular *continued*

Specification Information

Step 1.

ET

Step 2. Height

1 28½" high

Step 3. Depth/Width

87R	30" deep x 60" wide
88R	30" deep x 72" wide
42R	36" deep x 60" wide
43R	36" deep x 72" wide
44R	36" deep x 84" wide
89R	36" deep x 96" wide
50R	42" deep x 66" wide
51R	42" deep x 72" wide
52R	42" deep x 78" wide
45R	42" deep x 84" wide
54R	48" deep x 84" wide
47R	48" deep x 96" wide
55R	54" deep x 90" wide
56R	54" deep x 96" wide
57R	54" deep x 108" wide
58R	54" deep x 120" wide
60R	54" deep x 144" wide
61R	54" deep x 156" wide
62R	54" deep x 168" wide
64R	54" deep x 192" wide
66R	54" deep x 216" wide
68R	54" deep x 240" wide
70R	54" deep x 264" wide
71R	60" deep x 120" wide
72R	60" deep x 144" wide
73R	60" deep x 156" wide
74R	60" deep x 168" wide
75R	60" deep x 192" wide
76R	60" deep x 216" wide
77R	60" deep x 240" wide
78R	60" deep x 264" wide

Step 4. Base

S segmented base

Step 5. Surface Material

For 30" deep x 60" wide (87R), 30" deep x 72" wide (88R), 36" deep x 60" wide (42R), or 36" deep x 72" wide (43R)

- L high-pressure laminate top with vinyl edge
- C veneer top with vinyl edge
- W veneer top with veneer edge
- M thin profile HPL top with black edge
- G back-painted glass top
- SW solid wood top A

For 36" deep x 84" wide (44R), 36" deep x 96" wide (89R), 42" deep x 66" wide (50R), 42" deep x 72" wide (51R), 42" deep x 78" wide (52R), 42" deep x 84" wide (45R), 48" deep x 84" wide (54R), or 48" deep x 96" wide (47R)

- L high-pressure laminate top with vinyl edge A
- C veneer top with vinyl edge A
- W veneer top with veneer edge A
- M thin profile HPL top with black edge A
- G back-painted glass top A

For 54" deep x 90" wide (55R), 54" deep x 96" wide (56R), 54" deep x 108" wide (57R), 54" deep x 120" wide (58R), or 60" deep x 120" wide (71R)

- L high-pressure laminate top with vinyl edge
- C veneer top with vinyl edge
- W veneer top with veneer edge
- G back-painted glass top

For 54" deep x 144" wide (60R), 54" deep x 156" wide (61R), 54" deep x 168" wide (62R), 54" deep x 192" wide (64R), 54" deep x 216" wide (66R), 54" deep x 240" wide (68R), 54" deep x 264" wide (70R), 60" deep x 144" wide (72R), 60" deep x 156" wide (73R), 60" deep x 168" wide (74R), 60" deep x 192" wide (75R), 60" deep x 216" wide (76R), 60" deep x 240" wide (77R), or 60" deep x 264" wide (78R)

- L high-pressure laminate top with vinyl edge
- C veneer top with vinyl edge
- W veneer top with veneer edge

Eames® Conference Table,
Rectangular *continued*

Eames® Tables

Step 6. Grommets

For 30" deep x 60" wide (87R), 30" deep x 72" wide (88R), 36" deep x 60" wide (42R), 36" deep x 72" wide (43R), 36" deep x 84" wide (44R), 36" deep x 96" wide (89R), 42" deep x 66" wide (50R), 42" deep x 72" wide (51R), 42" deep x 78" wide (52R), 42" deep x 84" wide (45R), 48" deep x 84" wide (54R), 48" deep x 96" wide (47R), 54" deep x 90" wide (55R), 54" deep x 96" wide (56R), or 54" deep x 108" wide (57R)

- NG no grommet
- C2 2 round cutouts, over columns
- CR single centered oval cutout
- CA 2 round cutouts and center oval cutout

For 54" deep x 120" wide (58R), 54" deep x 144" wide (60R), 54" deep x 156" wide (61R), 54" deep x 168" wide (62R), 60" deep x 120" wide (71R), 60" deep x 144" wide (72R), 60" deep x 156" wide (73R), or 60" deep x 168" wide (74R)

- NG no grommet
- C2 2 round cutouts, over columns
- CM 2 oval cutouts
- CB 2 round cutouts and 2 oval cutouts

For 54" deep x 192" wide (64R) or 60" deep x 192" wide (75R)

- NG no grommet
- C2 2 round cutouts, over columns
- CP 3 oval cutouts
- CE 2 round cutouts and 3 oval cutouts

For 54" deep x 216" wide (66R), 54" deep x 240" wide (68R), 54" deep x 264" wide (70R), 60" deep x 216" wide (76R), 60" deep x 240" wide (77R), or 60" deep x 264" wide (78R)

- NG no grommet
- C3 3 round cutouts, over columns
- CN 4 oval cutouts
- CD 3 round cutouts and 4 oval cutouts

Prices for Steps 1-6.

		NG	C2	C3	CM	CN	CP
ET187R	S L	\$2454	3130	—	—	—	—
	C	\$3008	3687	—	—	—	—
	W	\$3245	3920	—	—	—	—
	M	\$4688	5366	—	—	—	—
	G	\$9802	10951	—	—	—	—
	SW	\$6857	8202	—	—	—	—

		CR	CA	CB	CD	CE
ET187R	S L	\$2791	3467	—	—	—
	C	\$3348	4024	—	—	—
	W	\$3584	4263	—	—	—
	M	\$5026	5705	—	—	—
	G	\$11008	12170	—	—	—
	SW	\$7529	8272	—	—	—

		NG	C2	C3	CM	CN	CP
ET188R	S L	\$2630	3308	—	—	—	—
	C	\$3274	3951	—	—	—	—
	W	\$3628	4306	—	—	—	—
	M	\$4719	5395	—	—	—	—
	G	\$11053	12216	—	—	—	—
	SW	\$7394	8873	—	—	—	—

		CR	CA	CB	CD	CE
ET188R	S L	\$2968	3645	—	—	—
	C	\$3613	4291	—	—	—
	W	\$3967	4645	—	—	—
	M	\$5056	5736	—	—	—
	G	\$12259	13424	—	—	—
	SW	\$8067	8809	—	—	—

		NG	C2	C3	CM	CN	CP
ET142R	S L	\$2770	3450	—	—	—	—
	C	\$3348	4024	—	—	—	—
	W	\$3636	4313	—	—	—	—
	M	\$5690	6366	—	—	—	—
	G	\$11053	12216	—	—	—	—
	SW	\$8437	9781	—	—	—	—

		CR	CA	CB	CD	CE
ET142R	S L	\$3111	3790	—	—	—
	C	\$3687	4365	—	—	—
	W	\$3973	4650	—	—	—
	M	\$6031	6707	—	—	—
	G	\$12259	13424	—	—	—
	SW	\$9109	9852	—	—	—

		NG	C2	C3	CM	CN	CP
ET143R	S L	\$2841	3519	—	—	—	—
	C	\$3451	4127	—	—	—	—
	W	\$3791	4468	—	—	—	—
	M	\$5720	6396	—	—	—	—
	G	\$12554	13703	—	—	—	—
	SW	\$9008	10351	—	—	—	—

Eames® Conference Table,
 Rectangular *continued*

		CR	CA	CB	CD	CE
ET143R S	L	\$3180	3859	—	—	—
	C	\$3791	4468	—	—	—
	W	\$4127	4808	—	—	—
	M	\$6060	6737	—	—	—
	G	\$13760	14928	—	—	—
	SW	\$9680	10422	—	—	—

		NG	C2	C3	CM	CN	CP
ET144R S	L	\$2971	3648	—	—	—	—
	C	\$3716	4395	—	—	—	—
	W	\$4145	4822	—	—	—	—
	M	\$5765	6442	—	—	—	—
	G	\$14042	15207	—	—	—	—

		CR	CA	CB	CD	CE
ET144R S	L	\$3311	3988	—	—	—
	C	\$4055	4732	—	—	—
	W	\$4481	5159	—	—	—
	M	\$6102	6779	—	—	—
	G	\$15263	16413	—	—	—

		NG	C2	C3	CM	CN	CP
ET189R S	L	\$3181	3860	—	—	—	—
	C	\$3951	4629	—	—	—	—
	W	\$4263	4938	—	—	—	—
	M	\$5793	6471	—	—	—	—
	G	\$15644	16813	—	—	—	—

		CR	CA	CB	CD	CE
ET189R S	L	\$3521	4198	—	—	—
	C	\$4291	4968	—	—	—
	W	\$4600	5277	—	—	—
	M	\$6132	6810	—	—	—
	G	\$16871	18020	—	—	—

		NG	C2	C3	CM	CN	CP
ET150R S	L	\$3318	3995	—	—	—	—
	C	\$3850	4527	—	—	—	—
	W	\$4333	5014	—	—	—	—
	M	\$5736	6412	—	—	—	—
	G	\$13143	14309	—	—	—	—

		CR	CA	CB	CD	CE
ET150R S	L	\$3656	4332	—	—	—
	C	\$4187	4863	—	—	—
	W	\$4674	5350	—	—	—
	M	\$6073	6750	—	—	—
	G	\$14367	15517	—	—	—

		NG	C2	C3	CM	CN	CP
ET151R S	L	\$3416	4094	—	—	—	—
	C	\$3902	4582	—	—	—	—
	W	\$4375	5053	—	—	—	—
	M	\$5748	6425	—	—	—	—
	G	\$14042	15207	—	—	—	—

		CR	CA	CB	CD	CE
ET151R S	L	\$3758	4432	—	—	—
	C	\$4241	4918	—	—	—
	W	\$4714	5390	—	—	—
	M	\$6088	6766	—	—	—
	G	\$15263	16413	—	—	—

		NG	C2	C3	CM	CN	CP
ET152R S	L	\$3489	4169	—	—	—	—
	C	\$4084	4760	—	—	—	—
	W	\$4525	5204	—	—	—	—
	M	\$9255	9932	—	—	—	—
	G	\$14958	16104	—	—	—	—

		CR	CA	CB	CD	CE
ET152R S	L	\$3829	4505	—	—	—
	C	\$4422	5100	—	—	—
	W	\$4862	5540	—	—	—
	M	\$9594	10271	—	—	—
	G	\$16164	17326	—	—	—

		NG	C2	C3	CM	CN	CP
ET145R S	L	\$3532	4209	—	—	—	—
	C	\$4124	4806	—	—	—	—
	W	\$4577	5256	—	—	—	—
	M	\$9255	9932	—	—	—	—
	G	\$16353	18298	—	—	—	—

Eames® Tables

Eames® Conference Table,
Rectangular *continued*

Eames® Tables

		CR	CA	CB	CD	CE
ET145R S	L	\$3869	4549	—	—	—
	C	\$4465	5142	—	—	—
	W	\$4916	5592	—	—	—
	M	\$9594	10271	—	—	—
	G	\$18092	20051	—	—	—

		NG	C2	C3	CM	CN	CP
ET154R S	L	\$3973	4650	—	—	—	—
	C	\$4585	5262	—	—	—	—
	W	\$5025	5704	—	—	—	—
	M	\$9287	9962	—	—	—	—
	G	\$18401	20362	—	—	—	—

		CR	CA	CB	CD	CE
ET154R S	L	\$4313	4990	—	—	—
	C	\$4921	5599	—	—	—
	W	\$5365	6041	—	—	—
	M	\$9622	10301	—	—	—
	G	\$20154	22098	—	—	—

		NG	C2	C3	CM	CN	CP
ET147R S	L	\$4058	4737	—	—	—	—
	C	\$4678	5355	—	—	—	—
	W	\$5195	5873	—	—	—	—
	M	\$9328	10007	—	—	—	—
	G	\$20759	22746	—	—	—	—

		CR	CA	CB	CD	CE
ET147R S	L	\$4400	5075	—	—	—
	C	\$5018	5694	—	—	—
	W	\$5532	6209	—	—	—
	M	\$9666	10345	—	—	—
	G	\$22511	24456	—	—	—

		NG	C2	C3	CM	CN	CP
ET155R S	L	\$4814	5490	—	—	—	—
	C	\$5467	6145	—	—	—	—
	W	\$6056	6734	—	—	—	—
	G	\$21773	23735	—	—	—	—

		CR	CA	CB	CD	CE
ET155R S	L	\$5153	5831	—	—	—
	C	\$5804	6484	—	—	—
	W	\$6394	7071	—	—	—
	G	\$23632	25487	—	—	—

		NG	C2	C3	CM	CN	CP
ET156R S	L	\$4876	5552	—	—	—	—
	C	\$5644	6320	—	—	—	—
	W	\$6306	6984	—	—	—	—
	G	\$23100	25060	—	—	—	—

		CR	CA	CB	CD	CE
ET156R S	L	\$5212	5890	—	—	—
	C	\$5981	6660	—	—	—
	W	\$6644	7323	—	—	—
	G	\$24854	26812	—	—	—

		NG	C2	C3	CM	CN	CP
ET157R S	L	\$6343	7019	—	—	—	—
	C	\$7065	7742	—	—	—	—
	W	\$7838	8516	—	—	—	—
	G	\$25751	27712	—	—	—	—

		CR	CA	CB	CD	CE
ET157R S	L	\$6678	7357	—	—	—
	C	\$7407	8083	—	—	—
	W	\$8180	8856	—	—	—
	G	\$27507	29463	—	—	—

		NG	C2	C3	CM	CN	CP
ET158R S	L	\$7052	7729	—	7729	—	—
	C	\$7922	8598	—	8598	—	—
	W	\$8805	9482	—	9482	—	—
	G	\$29318	31260	—	31335	—	—

		CR	CA	CB	CD	CE
ET158R S	L	—	—	\$8407	—	—
	C	—	—	\$9274	—	—
	W	—	—	\$10161	—	—
	G	—	—	\$33294	—	—

		NG	C2	C3	CM	CN	CP
ET160R S	L	\$7640	8318	—	8318	—	—
	C	\$8534	9213	—	9213	—	—
	W	\$9565	10241	—	10241	—	—

		CR	CA	CB	CD	CE
ET160R S	L	—	—	\$8994	—	—
	C	—	—	\$9889	—	—
	W	—	—	\$10922	—	—

Eames® Conference Table,
Rectangular *continued*

		NG	C2	C3	CM	CN	CP
ET161R S	L	\$8302	8980	—	8980	—	—
	C	\$9231	9909	—	9909	—	—
	W	\$10373	11050	—	11050	—	—

			CR	CA	CB	CD	CE
ET161R S	L		—	—	\$9657	—	—
	C		—	—	\$10586	—	—
	W		—	—	\$11728	—	—

		NG	C2	C3	CM	CN	CP
ET162R S	L	\$9097	9773	—	9773	—	—
	C	\$10171	10849	—	10849	—	—
	W	\$11421	12102	—	12102	—	—

			CR	CA	CB	CD	CE
ET162R S	L		—	—	\$10451	—	—
	C		—	—	\$11526	—	—
	W		—	—	\$12777	—	—

		NG	C2	C3	CM	CN	CP
ET164R S	L	\$10041	10719	—	—	—	11059
	C	\$11371	12050	—	—	—	12388
	W	\$12770	13450	—	—	—	13786

			CR	CA	CB	CD	CE
ET164R S	L		—	—	—	—	\$11737
	C		—	—	—	—	\$13068
	W		—	—	—	—	\$14463

		NG	C2	C3	CM	CN	CP
ET166R S	L	\$11061	—	12077	—	12417	—
	C	\$12437	—	13453	—	13791	—
	W	\$13984	—	14999	—	15339	—

			CR	CA	CB	CD	CE
ET166R S	L		—	—	—	\$13432	—
	C		—	—	—	\$14807	—
	W		—	—	—	\$16353	—

		NG	C2	C3	CM	CN	CP
ET168R S	L	\$12201	—	13217	—	13556	—
	C	\$13633	—	14650	—	14987	—
	W	\$15328	—	16343	—	16684	—

			CR	CA	CB	CD	CE
ET168R S	L		—	—	—	\$14572	—
	C		—	—	—	\$16006	—
	W		—	—	—	\$17699	—

		NG	C2	C3	CM	CN	CP
ET170R S	L	\$13311	—	14327	—	14665	—
	C	\$15008	—	16023	—	16363	—
	W	\$16849	—	17867	—	18203	—

			CR	CA	CB	CD	CE
ET170R S	L		—	—	—	\$15681	—
	C		—	—	—	\$17378	—
	W		—	—	—	\$19220	—

		NG	C2	C3	CM	CN	CP
ET171R S	L	\$13114	13791	—	13791	—	—
	C	\$16058	16737	—	16737	—	—
	W	\$17090	17769	—	17769	—	—
	G	\$35989	37934	—	38007	—	—

			CR	CA	CB	CD	CE
ET171R S	L		—	—	\$14470	—	—
	C		—	—	\$17415	—	—
	W		—	—	\$18446	—	—
	G		—	—	\$39968	—	—

		NG	C2	C3	CM	CN	CP
ET172R S	L	\$13702	14379	—	14379	—	—
	C	\$16945	17621	—	17621	—	—
	W	\$18123	18801	—	18801	—	—

			CR	CA	CB	CD	CE
ET172R S	L		—	—	\$15058	—	—
	C		—	—	\$18298	—	—
	W		—	—	\$19478	—	—

		NG	C2	C3	CM	CN	CP
ET173R S	L	\$14143	14824	—	14824	—	—
	C	\$17681	18357	—	18357	—	—
	W	\$18967	19647	—	19647	—	—

			CR	CA	CB	CD	CE
ET173R S	L		—	—	\$15499	—	—
	C		—	—	\$19036	—	—
	W		—	—	\$20325	—	—

Eames® Tables

Eames® Conference Table,
Rectangular *continued*

Eames® Tables

		NG	C2	C3	CM	CN	CP
ET174R S	L	\$14732	15411	—	15411	—	—
	C	\$18566	19242	—	19242	—	—
	W	\$19964	20640	—	20640	—	—

		CR	CA	CB	CD	CE
ET174R S	L	—	—	\$16088	—	—
	C	—	—	\$19919	—	—
	W	—	—	\$21318	—	—

		NG	C2	C3	CM	CN	CP
ET175R S	L	\$17385	18063	—	—	—	18401
	C	\$24750	25428	—	—	—	25768
	W	\$26297	26976	—	—	—	27312

		CR	CA	CB	CD	CE
ET175R S	L	—	—	—	—	\$19081
	C	—	—	—	—	\$26447
	W	—	—	—	—	\$27992

		NG	C2	C3	CM	CN	CP
ET176R S	L	\$21068	—	22086	—	22423	—
	C	\$30791	—	31808	—	32145	—
	W	\$32485	—	33500	—	33840	—

		CR	CA	CB	CD	CE
ET176R S	L	—	—	—	\$23440	—
	C	—	—	—	\$33163	—
	W	—	—	—	\$34856	—

		NG	C2	C3	CM	CN	CP
ET177R S	L	\$22983	—	24000	—	24338	—
	C	\$32854	—	33869	—	34208	—
	W	\$34694	—	35710	—	36049	—

		CR	CA	CB	CD	CE
ET177R S	L	—	—	—	\$25355	—
	C	—	—	—	\$35224	—
	W	—	—	—	\$37066	—

		NG	C2	C3	CM	CN	CP
ET178R S	L	\$23425	—	24441	—	24780	—
	C	\$34177	—	35195	—	35532	—
	W	\$36167	—	37182	—	37522	—

		CR	CA	CB	CD	CE
ET178R S	L	—	—	—	\$25796	—
	C	—	—	—	\$36550	—
	W	—	—	—	\$38539	—

Step 7.

Top Finish: Top Finish
For back-painted glass top (G)

8Q	folkstone grey (CP)	+\$0
91	white (CP)	+\$0
BK	black	+\$0
WN	warm grey neutral	+\$0

Top Finish: Top Finish
For thin profile HPL top with black edge (M)

91	white (CP)	+\$0
G1	graphite (CP)	+\$0
BK	black	+\$0

Top Finish: Solid-Color Laminate
For high-pressure laminate top with vinyl edge (L)

8Q	folkstone grey (CP)	+\$0
91	white (CP)	+\$0
98	studio white (CP)	+\$0
BKM	black matte	+\$0
CL	cool grey neutral	+\$0
HF	inner tone light	+\$0
LT	light tone	+\$0
LU	soft white	+\$0
WL	warm stone (CP)	+\$0
WN	warm grey neutral	+\$0

Top Finish
For 30" deep x 60" wide (87R) with solid wood top (SW)

OU	walnut A	+\$575
WHN	natural white oak A	+\$0

Top Finish
For 30" deep x 72" wide (88R) with solid wood top (SW)

OU	walnut A	+\$675
WHN	natural white oak A	+\$0

Top Finish
For 36" deep x 60" wide (42R) with solid wood top (SW)

OU	walnut A	+\$700
WHN	natural white oak A	+\$0

Eames® Conference Table,
Rectangular *continued*

Top Finish		
<i>For 36" deep x 72" wide (43R) with solid wood top (SW)</i>		
OU	walnut A	+\$815
WHN	natural white oak A	+\$0

Top Finish		
<i>For 30" deep x 60" wide (87R) with veneer top with vinyl edge (C)</i>		
2U	light brown walnut	+\$250
40	dark brown walnut	+\$250
9N	santos palisander	+\$950
A2	white ash	+\$250
CHD	noble cherry	+\$250
EN	ebony	+\$250
OU	walnut	+\$250
UL	natural maple	+\$250
WHN	natural white oak	+\$0

Top Finish		
<i>For 30" deep x 72" wide (88R) with veneer top with vinyl edge (C)</i>		
2U	light brown walnut	+\$265
40	dark brown walnut	+\$265
9N	santos palisander	+\$1009
A2	white ash	+\$265
CHD	noble cherry	+\$265
EN	ebony	+\$265
OU	walnut	+\$265
UL	natural maple	+\$265
WHN	natural white oak	+\$0

Top Finish		
<i>For 36" deep x 60" wide (42R) with veneer top with vinyl edge (C)</i>		
2U	light brown walnut	+\$265
40	dark brown walnut	+\$265
9N	santos palisander	+\$1009
A2	white ash	+\$265
CHD	noble cherry	+\$265
EN	ebony	+\$265
OU	walnut	+\$265
UL	natural maple	+\$265
WHN	natural white oak	+\$0

Top Finish		
<i>For 36" deep x 72" wide (43R) with veneer top with vinyl edge (C)</i>		
2U	light brown walnut	+\$290
40	dark brown walnut	+\$290
9N	santos palisander	+\$1104
A2	white ash	+\$290
CHD	noble cherry	+\$290
EN	ebony	+\$290
OU	walnut	+\$290
UL	natural maple	+\$290
WHN	natural white oak	+\$0

Top Finish		
<i>For 36" deep x 84" wide (44R) with veneer top with vinyl edge (C)</i>		
2U	light brown walnut	+\$305
40	dark brown walnut	+\$305
9N	santos palisander	+\$1161
A2	white ash	+\$305
CHD	noble cherry	+\$305
EN	ebony	+\$305
OU	walnut	+\$305
UL	natural maple	+\$305
WHN	natural white oak	+\$0

Top Finish		
<i>For 36" deep x 96" wide (89R) with veneer top with vinyl edge (C)</i>		
2U	light brown walnut	+\$330
40	dark brown walnut	+\$330
9N	santos palisander	+\$1420
A2	white ash	+\$330
CHD	noble cherry	+\$330
EN	ebony	+\$330
OU	walnut	+\$330
UL	natural maple	+\$330
WHN	natural white oak	+\$0

Top Finish		
<i>For 42" deep x 66" wide (50R) with veneer top with vinyl edge (C)</i>		
2U	light brown walnut	+\$290
40	dark brown walnut	+\$290
9N	santos palisander	+\$1160
A2	white ash	+\$290
CHD	noble cherry	+\$290
EN	ebony	+\$290
OU	walnut	+\$290
UL	natural maple	+\$290
WHN	natural white oak	+\$0

Eames® Conference Table,
Rectangular *continued*

Eames® Tables

Top Finish		
<i>For 42" deep x 72" wide (51R) with veneer top with vinyl edge (C)</i>		
2U	light brown walnut	+\$305
40	dark brown walnut	+\$305
9N	santos palisander	+\$1220
A2	white ash	+\$305
CHD	noble cherry	+\$305
EN	ebony	+\$305
OU	walnut	+\$305
UL	natural maple	+\$305
WHN	natural white oak	+\$0

Top Finish		
<i>For 42" deep x 78" wide (52R) with veneer top with vinyl edge (C)</i>		
2U	light brown walnut	+\$330
40	dark brown walnut	+\$330
9N	santos palisander	+\$1320
A2	white ash	+\$330
CHD	noble cherry	+\$330
EN	ebony	+\$330
OU	walnut	+\$330
UL	natural maple	+\$330
WHN	natural white oak	+\$0

Top Finish		
<i>For 42" deep x 84" wide (45R) with veneer top with vinyl edge (C)</i>		
2U	light brown walnut	+\$330
40	dark brown walnut	+\$330
9N	santos palisander	+\$1320
A2	white ash	+\$330
CHD	noble cherry	+\$330
EN	ebony	+\$330
OU	walnut	+\$330
UL	natural maple	+\$330
WHN	natural white oak	+\$0

Top Finish		
<i>For 48" deep x 84" wide (54R) with veneer top with vinyl edge (C)</i>		
2U	light brown walnut	+\$385
40	dark brown walnut	+\$385
9N	santos palisander	+\$1656
A2	white ash	+\$385
CHD	noble cherry	+\$385
EN	ebony	+\$385
OU	walnut	+\$385
UL	natural maple	+\$385
WHN	natural white oak	+\$0

Top Finish		
<i>For 48" deep x 96" wide (47R) with veneer top with vinyl edge (C)</i>		
2U	light brown walnut	+\$385
40	dark brown walnut	+\$385
9N	santos palisander	+\$1656
A2	white ash	+\$385
CHD	noble cherry	+\$385
EN	ebony	+\$385
OU	walnut	+\$385
UL	natural maple	+\$385
WHN	natural white oak	+\$0

Top Finish		
<i>For 54" deep x 90" wide (55R) with veneer top with vinyl edge (C)</i>		
2U	light brown walnut	+\$425
40	dark brown walnut	+\$425
9N	santos palisander	+\$1700
A2	white ash	+\$425
CHD	noble cherry	+\$425
EN	ebony	+\$425
OU	walnut	+\$425
UL	natural maple	+\$425
WHN	natural white oak	+\$0

Top Finish		
<i>For 54" deep x 96" wide (56R) with veneer top with vinyl edge (C)</i>		
2U	light brown walnut	+\$440
40	dark brown walnut	+\$440
9N	santos palisander	+\$1760
A2	white ash	+\$440
CHD	noble cherry	+\$440
EN	ebony	+\$440
OU	walnut	+\$440
UL	natural maple	+\$440
WHN	natural white oak	+\$0

Top Finish		
<i>For 54" deep x 108" wide (57R) with veneer top with vinyl edge (C)</i>		
2U	light brown walnut	+\$500
40	dark brown walnut	+\$500
9N	santos palisander	+\$2350
A2	white ash	+\$500
CHD	noble cherry	+\$500
EN	ebony	+\$500
OU	walnut	+\$500
UL	natural maple	+\$500
WHN	natural white oak	+\$0

Eames® Conference Table,
Rectangular *continued*

Top Finish		
<i>For 54" deep x 120" wide (58R) with veneer top with vinyl edge (C)</i>		
2U	light brown walnut	+\$540
40	dark brown walnut	+\$540
9N	santos palisander	+\$2538
A2	white ash	+\$540
CHD	noble cherry	+\$540
EN	ebony	+\$540
OU	walnut	+\$540
UL	natural maple	+\$540
WHN	natural white oak	+\$0

Top Finish		
<i>For 54" deep x 144" wide (60R) with veneer top with vinyl edge (C)</i>		
2U	light brown walnut	+\$585
40	dark brown walnut	+\$585
9N	santos palisander	+\$2750
A2	white ash	+\$585
CHD	noble cherry	+\$585
EN	ebony	+\$585
OU	walnut	+\$585
UL	natural maple	+\$585
WHN	natural white oak	+\$0

Top Finish		
<i>For 54" deep x 156" wide (61R) with veneer top with vinyl edge (C)</i>		
2U	light brown walnut	+\$635
40	dark brown walnut	+\$635
9N	santos palisander	+\$3175
A2	white ash	+\$635
CHD	noble cherry	+\$635
EN	ebony	+\$635
OU	walnut	+\$635
UL	natural maple	+\$635
WHN	natural white oak	+\$0

Top Finish		
<i>For 54" deep x 168" wide (62R) with veneer top with vinyl edge (C)</i>		
2U	light brown walnut	+\$690
40	dark brown walnut	+\$690
9N	santos palisander	+\$3450
A2	white ash	+\$690
CHD	noble cherry	+\$690
EN	ebony	+\$690
OU	walnut	+\$690
UL	natural maple	+\$690
WHN	natural white oak	+\$0

Top Finish		
<i>For 54" deep x 192" wide (64R) with veneer top with vinyl edge (C)</i>		
2U	light brown walnut	+\$755
40	dark brown walnut	+\$755
9N	santos palisander	+\$3775
A2	white ash	+\$755
CHD	noble cherry	+\$755
EN	ebony	+\$755
OU	walnut	+\$755
UL	natural maple	+\$755
WHN	natural white oak	+\$0

Top Finish		
<i>For 54" deep x 216" wide (66R) with veneer top with vinyl edge (C)</i>		
2U	light brown walnut	+\$815
40	dark brown walnut	+\$815
9N	santos palisander	+\$4075
A2	white ash	+\$815
CHD	noble cherry	+\$815
EN	ebony	+\$815
OU	walnut	+\$815
UL	natural maple	+\$815
WHN	natural white oak	+\$0

Top Finish		
<i>For 54" deep x 240" wide (68R) with veneer top with vinyl edge (C)</i>		
2U	light brown walnut	+\$880
40	dark brown walnut	+\$880
9N	santos palisander	+\$4400
A2	white ash	+\$880
CHD	noble cherry	+\$880
EN	ebony	+\$880
OU	walnut	+\$880
UL	natural maple	+\$880
WHN	natural white oak	+\$0

Top Finish		
<i>For 54" deep x 264" wide (70R) with veneer top with vinyl edge (C)</i>		
2U	light brown walnut	+\$950
40	dark brown walnut	+\$950
9N	santos palisander	+\$5320
A2	white ash	+\$950
CHD	noble cherry	+\$950
EN	ebony	+\$950
OU	walnut	+\$950
UL	natural maple	+\$950
WHN	natural white oak	+\$0

Eames® Conference Table,
Rectangular *continued*

Eames® Tables

Top Finish		
<i>For 60" deep x 120" wide (71R) with veneer top with vinyl edge (C)</i>		
2U	light brown walnut	+\$680
40	dark brown walnut	+\$680
9N	santos palisander	+\$3180
A2	white ash	+\$680
CHD	noble cherry	+\$680
EN	ebony	+\$680
OU	walnut	+\$680
UL	natural maple	+\$680
WHN	natural white oak	+\$0

Top Finish		
<i>For 60" deep x 144" wide (72R) with veneer top with vinyl edge (C)</i>		
2U	light brown walnut	+\$740
40	dark brown walnut	+\$740
9N	santos palisander	+\$3440
A2	white ash	+\$740
CHD	noble cherry	+\$740
EN	ebony	+\$740
OU	walnut	+\$740
UL	natural maple	+\$740
WHN	natural white oak	+\$0

Top Finish		
<i>For 60" deep x 156" wide (73R) with veneer top with vinyl edge (C)</i>		
2U	light brown walnut	+\$800
40	dark brown walnut	+\$800
9N	santos palisander	+\$3970
A2	white ash	+\$800
CHD	noble cherry	+\$800
EN	ebony	+\$800
OU	walnut	+\$800
UL	natural maple	+\$800
WHN	natural white oak	+\$0

Top Finish		
<i>For 60" deep x 168" wide (74R) with veneer top with vinyl edge (C)</i>		
2U	light brown walnut	+\$870
40	dark brown walnut	+\$870
9N	santos palisander	+\$4320
A2	white ash	+\$870
CHD	noble cherry	+\$870
EN	ebony	+\$870
OU	walnut	+\$870
UL	natural maple	+\$870
WHN	natural white oak	+\$0

Top Finish		
<i>For 60" deep x 192" wide (75R) with veneer top with vinyl edge (C)</i>		
2U	light brown walnut	+\$950
40	dark brown walnut	+\$950
9N	santos palisander	+\$5100
A2	white ash	+\$950
CHD	noble cherry	+\$950
EN	ebony	+\$950
OU	walnut	+\$950
UL	natural maple	+\$950
WHN	natural white oak	+\$0

Top Finish		
<i>For 60" deep x 216" wide (76R) with veneer top with vinyl edge (C)</i>		
2U	light brown walnut	+\$950
40	dark brown walnut	+\$950
9N	santos palisander	+\$5100
A2	white ash	+\$950
CHD	noble cherry	+\$950
EN	ebony	+\$950
OU	walnut	+\$950
UL	natural maple	+\$950
WHN	natural white oak	+\$0

Top Finish		
<i>For 60" deep x 240" wide (77R) with veneer top with vinyl edge (C)</i>		
2U	light brown walnut	+\$1100
40	dark brown walnut	+\$1100
9N	santos palisander	+\$5500
A2	white ash	+\$1100
CHD	noble cherry	+\$1100
EN	ebony	+\$1100
OU	walnut	+\$1100
UL	natural maple	+\$1100
WHN	natural white oak	+\$0

Top Finish		
<i>For 60" deep x 264" wide (78R) with veneer top with vinyl edge (C)</i>		
2U	light brown walnut	+\$1100
40	dark brown walnut	+\$1100
9N	santos palisander	+\$5500
A2	white ash	+\$1100
CHD	noble cherry	+\$1100
EN	ebony	+\$1100
OU	walnut	+\$1100
UL	natural maple	+\$1100
WHN	natural white oak	+\$0

Eames® Conference Table,
Rectangular *continued*

Top/Edge Finish		
<i>For 30" deep x 60" wide (87R) with veneer top with veneer edge (W)</i>		
2U	light brown walnut	+\$250
40	dark brown walnut	+\$250
9N	santos palisander	+\$950
A2	white ash	+\$250
CHD	noble cherry	+\$250
EN	ebony	+\$250
OU	walnut	+\$250
UL	natural maple	+\$250
WHN	natural white oak	+\$0

Top/Edge Finish		
<i>For 30" deep x 72" wide (88R) with veneer top with veneer edge (W)</i>		
2U	light brown walnut	+\$265
40	dark brown walnut	+\$265
9N	santos palisander	+\$1009
A2	white ash	+\$265
CHD	noble cherry	+\$265
EN	ebony	+\$265
OU	walnut	+\$265
UL	natural maple	+\$265
WHN	natural white oak	+\$0

Top/Edge Finish		
<i>For 36" deep x 60" wide (42R) with veneer top with veneer edge (W)</i>		
2U	light brown walnut	+\$265
40	dark brown walnut	+\$265
9N	santos palisander	+\$1009
A2	white ash	+\$265
CHD	noble cherry	+\$265
EN	ebony	+\$265
OU	walnut	+\$265
UL	natural maple	+\$265
WHN	natural white oak	+\$0

Top/Edge Finish		
<i>For 36" deep x 72" wide (43R) with veneer top with veneer edge (W)</i>		
2U	light brown walnut	+\$290
40	dark brown walnut	+\$290
9N	santos palisander	+\$1104
A2	white ash	+\$290
CHD	noble cherry	+\$290
EN	ebony	+\$290
OU	walnut	+\$290
UL	natural maple	+\$290
WHN	natural white oak	+\$0

Top/Edge Finish		
<i>For 36" deep x 84" wide (44R) with veneer top with veneer edge (W)</i>		
CHD	noble cherry	+\$305
WHN	natural white oak	+\$0
2U	light brown walnut	+\$305
40	dark brown walnut	+\$305
9N	santos palisander	+\$1161
A2	white ash	+\$305
EN	ebony	+\$305
OU	walnut	+\$305
UL	natural maple	+\$305

Top/Edge Finish		
<i>For 36" deep x 96" wide (89R) with veneer top with veneer edge (W)</i>		
CHD	noble cherry	+\$330
WHN	natural white oak	+\$0
2U	light brown walnut	+\$330
40	dark brown walnut	+\$330
9N	santos palisander	+\$1420
A2	white ash	+\$330
EN	ebony	+\$330
OU	walnut	+\$330
UL	natural maple	+\$330

Top/Edge Finish		
<i>For 42" deep x 66" wide (50R) with veneer top with veneer edge (W)</i>		
2U	light brown walnut	+\$290
40	dark brown walnut	+\$290
9N	santos palisander	+\$1160
A2	white ash	+\$290
CHD	noble cherry	+\$290
EN	ebony	+\$290
OU	walnut	+\$290
UL	natural maple	+\$290
WHN	natural white oak	+\$0

Top/Edge Finish		
<i>For 42" deep x 72" wide (51R) with veneer top with veneer edge (W)</i>		
2U	light brown walnut	+\$305
40	dark brown walnut	+\$305
9N	santos palisander	+\$1220
A2	white ash	+\$305
CHD	noble cherry	+\$305
EN	ebony	+\$305
OU	walnut	+\$305
UL	natural maple	+\$305
WHN	natural white oak	+\$0

Eames® Conference Table,
Rectangular *continued*

Eames® Tables

Top/Edge Finish		
<i>For 42" deep x 78" wide (52R) with veneer top with veneer edge (W)</i>		
2U	light brown walnut	+\$330
40	dark brown walnut	+\$330
9N	santos palisander	+\$1320
A2	white ash	+\$330
CHD	noble cherry	+\$330
EN	ebony	+\$330
OU	walnut	+\$330
UL	natural maple	+\$330
WHN	white oak	+\$0

Top/Edge Finish		
<i>For 42" deep x 84" wide (45R) with veneer top with veneer edge (W)</i>		
2U	light brown walnut	+\$330
40	dark brown walnut	+\$330
9N	santos palisander	+\$1320
A2	white ash	+\$330
CHD	noble cherry	+\$330
EN	ebony	+\$330
OU	walnut	+\$330
UL	natural maple	+\$330
WHN	natural white oak	+\$0

Top/Edge Finish		
<i>For 48" deep x 84" wide (54R) with veneer top with veneer edge (W)</i>		
2U	light brown walnut	+\$385
40	dark brown walnut	+\$385
9N	santos palisander	+\$1656
A2	white ash	+\$385
CHD	noble cherry	+\$385
EN	ebony	+\$385
OU	walnut	+\$385
UL	natural maple	+\$385
WHN	natural white oak	+\$0

Top/Edge Finish		
<i>For 48" deep x 96" wide (47R) with veneer top with veneer edge (W)</i>		
2U	light brown walnut	+\$385
40	dark brown walnut	+\$385
9N	santos palisander	+\$1656
A2	white ash	+\$385
CHD	noble cherry	+\$385
EN	ebony	+\$385
OU	walnut	+\$385
UL	natural maple	+\$385
WHN	natural white oak	+\$0

Top/Edge Finish		
<i>For 54" deep x 90" wide (55R) with veneer top with veneer edge (W)</i>		
2U	light brown walnut	+\$425
40	dark brown walnut	+\$425
9N	santos palisander	+\$1700
A2	white ash	+\$425
CHD	noble cherry	+\$425
EN	ebony	+\$425
OU	walnut	+\$425
UL	natural maple	+\$425
WHN	natural white oak	+\$0

Top/Edge Finish		
<i>For 54" deep x 96" wide (56R) with veneer top with veneer edge (W)</i>		
2U	light brown walnut	+\$440
40	dark brown walnut	+\$440
9N	santos palisander	+\$1760
A2	white ash	+\$440
CHD	noble cherry	+\$440
EN	ebony	+\$440
OU	walnut	+\$440
UL	natural maple	+\$440
WHN	natural white oak	+\$0

Top/Edge Finish		
<i>For 54" deep x 108" wide (57R) with veneer top with veneer edge (W)</i>		
2U	light brown walnut	+\$500
40	dark brown walnut	+\$500
9N	santos palisander	+\$2350
A2	white ash	+\$500
CHD	noble cherry	+\$500
EN	ebony	+\$500
OU	walnut	+\$500
UL	natural maple	+\$500
WHN	natural white oak	+\$0

Top/Edge Finish		
<i>For 54" deep x 120" wide (58R) with veneer top with veneer edge (W)</i>		
2U	light brown walnut	+\$540
40	dark brown walnut	+\$540
9N	santos palisander	+\$2538
A2	white ash	+\$540
CHD	noble cherry	+\$540
EN	ebony	+\$540
OU	walnut	+\$540
UL	natural maple	+\$540
WHN	natural white oak	+\$0

Eames® Conference Table,
Rectangular *continued*

Top/Edge Finish		
<i>For 54" deep x 144" wide (60R) with veneer top with veneer edge (W)</i>		
2U	light brown walnut	+\$585
40	dark brown walnut	+\$585
9N	santos palisander	+\$2750
A2	white ash	+\$585
CHD	noble cherry	+\$585
EN	ebony	+\$585
OU	walnut	+\$585
UL	natural maple	+\$585
WHN	natural white oak	+\$0

Top/Edge Finish		
<i>For 54" deep x 156" wide (61R) with veneer top with veneer edge (W)</i>		
2U	light brown walnut	+\$635
40	dark brown walnut	+\$635
9N	santos palisander	+\$3175
A2	white ash	+\$635
CHD	noble cherry	+\$635
EN	ebony	+\$635
OU	walnut	+\$635
UL	natural maple	+\$635
WHN	natural white oak	+\$0

Top/Edge Finish		
<i>For 54" deep x 168" wide (62R) with veneer top with veneer edge (W)</i>		
2U	light brown walnut	+\$690
40	dark brown walnut	+\$690
9N	santos palisander	+\$3450
A2	white ash	+\$690
CHD	noble cherry	+\$690
EN	ebony	+\$690
OU	walnut	+\$690
UL	natural maple	+\$690
WHN	natural white oak	+\$0

Top/Edge Finish		
<i>For 54" deep x 192" wide (64R) with veneer top with veneer edge (W)</i>		
2U	light brown walnut	+\$755
40	dark brown walnut	+\$755
9N	santos palisander	+\$3775
A2	white ash	+\$755
CHD	noble cherry	+\$755
EN	ebony	+\$755
OU	walnut	+\$755
UL	natural maple	+\$755
WHN	natural white oak	+\$0

Top/Edge Finish		
<i>For 54" deep x 216" wide (66R) with veneer top with veneer edge (W)</i>		
2U	light brown walnut	+\$815
40	dark brown walnut	+\$815
9N	santos palisander	+\$4075
A2	white ash	+\$815
CHD	noble cherry	+\$815
EN	ebony	+\$815
OU	walnut	+\$815
UL	natural maple	+\$815
WHN	natural white oak	+\$0

Top/Edge Finish		
<i>For 54" deep x 240" wide (68R) with veneer top with veneer edge (W)</i>		
2U	light brown walnut	+\$880
40	dark brown walnut	+\$880
9N	santos palisander	+\$4400
A2	white ash	+\$880
CHD	noble cherry	+\$880
EN	ebony	+\$880
OU	walnut	+\$880
UL	natural maple	+\$880
WHN	natural white oak	+\$0

Top/Edge Finish		
<i>For 54" deep x 264" wide (70R) with veneer top with veneer edge (W)</i>		
2U	light brown walnut	+\$950
40	dark brown walnut	+\$950
9N	santos palisander	+\$5320
A2	white ash	+\$950
CHD	noble cherry	+\$950
EN	ebony	+\$950
OU	walnut	+\$950
UL	natural maple	+\$950
WHN	natural white oak	+\$0

Top/Edge Finish		
<i>For 60" deep x 120" wide (71R) with veneer top with veneer edge (W)</i>		
2U	light brown walnut	+\$680
40	dark brown walnut	+\$680
9N	santos palisander	+\$3180
A2	white ash	+\$680
CHD	noble cherry	+\$680
EN	ebony	+\$680
OU	walnut	+\$680
UL	natural maple	+\$680
WHN	natural white oak	+\$0

Eames® Conference Table,
Rectangular *continued*

Eames® Tables

Top/Edge Finish		
<i>For 60" deep x 144" wide (72R) with veneer top with veneer edge (W)</i>		
2U	light brown walnut	+\$740
40	dark brown walnut	+\$740
9N	santos palisander	+\$3440
A2	white ash	+\$740
CHD	noble cherry	+\$740
EN	ebony	+\$740
OU	walnut	+\$740
UL	natural maple	+\$740
WHN	natural white oak	+\$0

Top/Edge Finish		
<i>For 60" deep x 156" wide (73R) with veneer top with veneer edge (W)</i>		
2U	light brown walnut	+\$800
40	dark brown walnut	+\$800
9N	santos palisander	+\$3970
A2	white ash	+\$800
CHD	noble cherry	+\$800
EN	ebony	+\$800
OU	walnut	+\$800
UL	natural maple	+\$800
WHN	natural white oak	+\$0

Top/Edge Finish		
<i>For 60" deep x 168" wide (74R) with veneer top with veneer edge (W)</i>		
2U	light brown walnut	+\$870
40	dark brown walnut	+\$870
9N	santos palisander	+\$4320
A2	white ash	+\$870
CHD	noble cherry	+\$870
EN	ebony	+\$870
OU	walnut	+\$870
UL	natural maple	+\$870
WHN	natural white oak	+\$0

Top/Edge Finish		
<i>For 60" deep x 192" wide (75R) with veneer top with veneer edge (W)</i>		
2U	light brown walnut	+\$950
40	dark brown walnut	+\$950
9N	santos palisander	+\$5100
A2	white ash	+\$950
CHD	noble cherry	+\$950
EN	ebony	+\$950
OU	walnut	+\$950
UL	natural maple	+\$950
WHN	natural white oak	+\$0

Step 8. Edge Finish		
<i>For high-pressure laminate top with vinyl edge (L) or veneer top with vinyl edge (C)</i>		
8Q	folkstone grey (CP)	+\$0
91	white (CP)	+\$0
98	studio white (CP)	+\$0
BK	black	+\$0
CL	cool grey neutral	+\$0
HF	inner tone light	+\$0
LT	light tone	+\$0
LU	soft white	+\$0
SG	slate grey	+\$0
WL	warm stone (CP)	+\$0
WN	warm grey neutral	+\$0

Step 9. Grommet Finish		
<i>For 2 round cutouts, over columns (C2) or 3 round cutouts, over columns (C3)</i>		
91	white (CP)	+\$0
BK	black	+\$0
PA	polished aluminum	+\$0

<i>For single centered oval cutout (CR) or 2 round cutouts and center oval cutout (CA)</i>		
91	white (CP)	+\$0
BK	black	+\$0
PA	polished aluminum	+\$150

<i>For 2 oval cutouts (CM) or 2 round cutouts and 2 oval cutouts (CB)</i>		
91	white (CP)	+\$0
BK	black	+\$0
PA	polished aluminum	+\$300

<i>For 3 oval cutouts (CP) or 2 round cutouts and 3 oval cutouts (CE)</i>		
91	white (CP)	+\$0
BK	black	+\$0
PA	polished aluminum	+\$450

<i>For 4 oval cutouts (CN) or 3 round cutouts and 4 oval cutouts (CD)</i>		
91	white (CP)	+\$0
BK	black	+\$0
PA	polished aluminum	+\$0
PA	polished aluminum	+\$600

Eames® Conference Table,
Rectangular *continued*

Step 10. Column Finish

611	beige mist metallic (CP)	+\$0
613	silver (CP)	+\$0
G1	graphite (CP)	+\$0
91	white (CP)	+\$0
BK	black	+\$0
CL	cool grey neutral	+\$0
EH	metallic bronze	+\$0
HF	inner tone light	+\$0
LT	light tone	+\$0
LU	soft white	+\$0
MT	medium tone	+\$0
SG	slate grey	+\$0
WN	warm grey neutral	+\$0

Step 11. Base Finish

611	beige mist metallic (CP)	+\$0
613	silver (CP)	+\$0
G1	graphite (CP)	+\$0
91	white (CP)	+\$0
BK	black	+\$0
CL	cool grey neutral	+\$0
EH	metallic bronze	+\$0
HF	inner tone light	+\$0
LT	light tone	+\$0
LU	soft white	+\$0
MT	medium tone	+\$0
PA	polished aluminum	+\$0
SG	slate grey	+\$0
WN	warm grey neutral	+\$0

Step 12. Casters/Glides

For 30" deep x 60" wide (87R), 30" deep x 72" wide (88R), 36" deep x 60" wide (42R), 36" deep x 72" wide (43R), 36" deep x 84" wide (44R), 36" deep x 96" wide (89R), 42" deep x 66" wide (50R), 42" deep x 72" wide (51R), 42" deep x 78" wide (52R), 42" deep x 84" wide (45R), 48" deep x 84" wide (54R), or 48" deep x 96" wide (47R) with high-pressure laminate top with vinyl edge (L), or veneer top with vinyl edge (C), or veneer top with veneer edge (W), or thin profile HPL top with black edge (M), or solid wood top (SW)

G	glides	+\$0
C	casters	+\$80

For 54" deep x 108" wide (57R), 54" deep x 120" wide (58R), 54" deep x 144" wide (60R), 54" deep x 156" wide (61R), 54" deep x 168" wide (62R), 54" deep x 192" wide (64R), 54" deep x 216" wide (66R), 54" deep x 240" wide (68R), 54" deep x 264" wide (70R), 60" deep x 120" wide (71R), 60" deep x 144" wide (72R), 60" deep x 156" wide (73R), 60" deep x 168" wide (74R), 60" deep x 192" wide (75R), 60" deep x 216" wide (76R), 60" deep x 240" wide (77R), or 60" deep x 264" wide (78R) with high-pressure laminate top with vinyl edge (L), or veneer top with vinyl edge (C), or veneer top with veneer edge (W)

G	glides	+\$0
----------	--------	------

For 30" deep x 60" wide (87R), 30" deep x 72" wide (88R), 36" deep x 60" wide (42R), 36" deep x 72" wide (43R), 36" deep x 84" wide (44R), 36" deep x 96" wide (89R), 42" deep x 66" wide (50R), 42" deep x 72" wide (51R), 42" deep x 78" wide (52R), 42" deep x 84" wide (45R), 48" deep x 84" wide (54R), 48" deep x 96" wide (47R), 54" deep x 90" wide (55R), 54" deep x 96" wide (56R), 54" deep x 108" wide (57R), 54" deep x 120" wide (58R), or 60" deep x 120" wide (71R) with back-painted glass top (G)

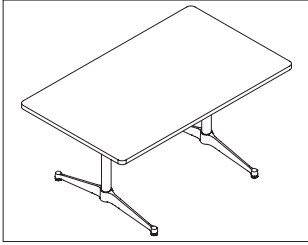
G	glides	+\$0
----------	--------	------

For 54" deep x 90" wide (55R) or 54" deep x 96" wide (56R) with high-pressure laminate top with vinyl edge (L), or veneer top with vinyl edge (C), or veneer top with veneer edge (W)

G	glides	+\$0
----------	--------	------

Eames® Contract Base, T-Leg Table, Rectangular

Eames® Tables



Product Information

Description

This T-leg base table has a laminate or veneer top with vinyl edge or a solid wood top with a small radius edge. All tops are approximately 1³/₁₆" thick. Shipped knocked down.

Notes

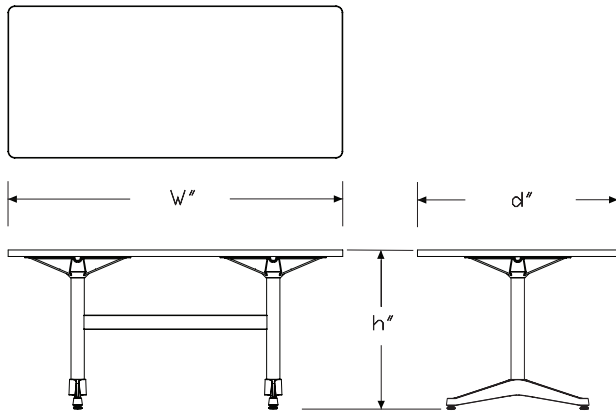
Tables may be specified with cutouts for power in various configurations. Round cutouts align with columns, and oval cutouts are centered between columns.

Order the following compatible power components separately:

- Round power module (ET991.)
- Oval power module (ET992.)
- Pair of oval power modules (ET993.)
- Oval power module & undermount power (ET994.)
- Pair of oval power modules & undermount power (ET995.)

Solid wood is celebrated for its unique grain and color variations. Similar products ordered in multiples or dissimilar products ordered separately should be expected to have variation in both grain and color characteristics; no two products will look exactly alike.

Dimensions



Specification Information

Step 1.

ET A

Step 2. Height

- 1 28¹/₂" high A
- 4 36" high A
- 5 42" high A

Step 3. Depth/Width

- 21R 24" deep x 42" wide A
- 22R 24" deep x 48" wide A
- 23R 24" deep x 60" wide A
- 24R 24" deep x 66" wide A
- 25R 24" deep x 72" wide A
- 87R 30" deep x 60" wide A
- 26R 30" deep x 66" wide A
- 88R 30" deep x 72" wide A
- 42R 36" deep x 60" wide A
- 27R 36" deep x 66" wide A
- 43R 36" deep x 72" wide A
- 28R 36" deep x 78" wide A
- 44R 36" deep x 84" wide A
- 29R 42" deep x 60" wide A
- 50R 42" deep x 66" wide A
- 51R 42" deep x 72" wide A
- 52R 42" deep x 78" wide A
- 45R 42" deep x 84" wide A
- 30R 42" deep x 96" wide A
- 31R 48" deep x 60" wide A
- 32R 48" deep x 66" wide A
- 33R 48" deep x 72" wide A
- 34R 48" deep x 78" wide A
- 54R 48" deep x 84" wide A
- 47R 48" deep x 96" wide A

Step 4. Base

T contract base, T-leg A

Eames® Contract Base, T-Leg Table,
Rectangular *continued*

Step 5. Surface Material

For 24" deep x 42" wide (21R), 24" deep x 48" wide (22R), 24" deep x 60" wide (23R), 24" deep x 66" wide (24R), 24" deep x 72" wide (25R), 30" deep x 60" wide (87R), 30" deep x 66" wide (26R), 30" deep x 72" wide (88R), 36" deep x 60" wide (42R), 36" deep x 66" wide (27R), or 36" deep x 72" wide (43R)

- L high-pressure laminate top with vinyl edge A
- C veneer top with vinyl edge A
- W veneer top with veneer edge A
- SW solid wood top A

For 36" deep x 78" wide (28R), 36" deep x 84" wide (44R), 42" deep x 60" wide (29R), 42" deep x 66" wide (50R), 42" deep x 72" wide (51R), 42" deep x 78" wide (52R), 42" deep x 84" wide (45R), 42" deep x 96" wide (30R), 48" deep x 60" wide (31R), 48" deep x 66" wide (32R), 48" deep x 72" wide (33R), 48" deep x 78" wide (34R), 48" deep x 84" wide (54R), or 48" deep x 96" wide (47R)

- L high-pressure laminate top with vinyl edge A
- C veneer top with vinyl edge A
- W veneer top with veneer edge A

Step 6. Grommets

For 24" deep x 42" wide (21R), 24" deep x 48" wide (22R), 24" deep x 60" wide (23R), 24" deep x 66" wide (24R), 24" deep x 72" wide (25R), 30" deep x 60" wide (87R), 30" deep x 66" wide (26R), or 30" deep x 72" wide (88R)

- NG no grommet A

For 36" deep x 60" wide (42R), 36" deep x 66" wide (27R), 36" deep x 72" wide (43R), 36" deep x 78" wide (28R), 36" deep x 84" wide (44R), 42" deep x 60" wide (29R), 42" deep x 66" wide (50R), 42" deep x 72" wide (51R), 42" deep x 78" wide (52R), 42" deep x 84" wide (45R), 42" deep x 96" wide (30R), 48" deep x 60" wide (31R), 48" deep x 66" wide (32R), 48" deep x 72" wide (33R), 48" deep x 78" wide (34R), 48" deep x 84" wide (54R), or 48" deep x 96" wide (47R)

- NG no grommet A
- C2 2 round cutouts, over columns A
- CR single centered oval cutout A
- CA 2 round cutouts and center oval cutout A

Prices for Steps 1-6.

		NG	C2	CR	CA
ET121R	T L	\$2282	—	—	—
	C	\$2839	—	—	—
	W	\$2973	—	—	—
	SW	\$5817	—	—	—

		NG	C2	CR	CA
ET122R	T L	\$2297	—	—	—
	C	\$2854	—	—	—
	W	\$2989	—	—	—
	SW	\$5931	—	—	—

		NG	C2	CR	CA
ET123R	T L	\$2334	—	—	—
	C	\$2892	—	—	—
	W	\$3161	—	—	—
	SW	\$6468	—	—	—

		NG	C2	CR	CA
ET124R	T L	\$2388	—	—	—
	C	\$2994	—	—	—
	W	\$3128	—	—	—
	SW	\$6782	—	—	—

		NG	C2	CR	CA
ET125R	T L	\$2416	—	—	—
	C	\$3008	—	—	—
	W	\$3144	—	—	—
	SW	\$6938	—	—	—

		NG	C2	CR	CA
ET187R	T L	\$2454	—	—	—
	C	\$3008	—	—	—
	W	\$3245	—	—	—
	SW	\$6857	—	—	—

		NG	C2	CR	CA
ET126R	T L	\$2541	—	—	—
	C	\$3142	—	—	—
	W	\$3438	—	—	—
	SW	\$7181	—	—	—

		NG	C2	CR	CA
ET188R	T L	\$2630	—	—	—
	C	\$3274	—	—	—
	W	\$3628	—	—	—
	SW	\$7394	—	—	—

		NG	C2	CR	CA
ET142R	T L	\$2770	3450	3111	3790
	C	\$3348	4024	3687	4365
	W	\$3636	4313	3973	4650
	SW	\$8437	9781	9109	9852

Eames® Contract Base, T-Leg Table,
Rectangular *continued*

Eames® Tables

		NG	C2	CR	CA
ET127R T	L	\$2780	3485	3145	3556
	C	\$3401	4077	3738	4417
	W	\$3711	4391	4051	4727
	SW	\$8752	10097	9425	10167

		NG	C2	CR	CA
ET143R T	L	\$2841	3519	3180	3859
	C	\$3451	4127	3791	4468
	W	\$3791	4468	4127	4808
	SW	\$9008	10351	9680	10422

		NG	C2	CR	CA
ET128R T	L	\$2904	3586	3245	3922
	C	\$3584	4262	3922	4602
	W	\$3968	4646	4306	4983

		NG	C2	CR	CA
ET144R T	L	\$2971	3648	3311	3988
	C	\$3716	4395	4055	4732
	W	\$4145	4822	4481	5159

		NG	C2	CR	CA
ET129R T	L	\$3144	3822	3484	4159
	C	\$3783	4462	4121	4798
	W	\$4241	4917	4579	5257

		NG	C2	CR	CA
ET150R T	L	\$3318	3995	3656	4332
	C	\$3850	4527	4187	4863
	W	\$4333	5014	4674	5350

		NG	C2	CR	CA
ET151R T	L	\$3416	4094	3758	4432
	C	\$3902	4582	4241	4918
	W	\$4375	5053	4714	5390

		NG	C2	CR	CA
ET152R T	L	\$3489	4169	3829	4505
	C	\$4084	4760	4422	5100
	W	\$4525	5204	4862	5540

		NG	C2	CR	CA
ET145R T	L	\$3532	4209	3869	4549
	C	\$4124	4806	4465	5142
	W	\$4577	5256	4916	5592

		NG	C2	CR	CA
ET130R T	L	\$3610	4281	3946	4617
	C	\$4214	4885	4551	5224
	W	\$4617	5290	4954	5625

		NG	C2	CR	CA
ET131R T	L	\$3690	4362	4023	4697
	C	\$4294	4830	4629	5301
	W	\$4697	5368	5033	5705

		NG	C2	CR	CA
ET132R T	L	\$3769	4441	4106	4777
	C	\$4374	5046	4711	5383
	W	\$4777	5449	5113	5785

		NG	C2	CR	CA
ET133R T	L	\$3852	4525	4189	4860
	C	\$4457	5129	4793	5466
	W	\$4860	5532	5197	5869

		NG	C2	CR	CA
ET134R T	L	\$3937	4609	4272	4945
	C	\$4541	5213	4879	5550
	W	\$4945	5618	5280	5952

		NG	C2	CR	CA
ET154R T	L	\$3973	4650	4313	4990
	C	\$4585	5262	4921	5599
	W	\$5025	5704	5365	6041

		NG	C2	CR	CA
ET147R T	L	\$4058	4737	4400	5075
	C	\$4678	5355	5018	5694
	W	\$5195	5873	5532	6209

		NG	C2	CR	CA
ET421R T	L	\$2299	—	—	—
	C	\$2856	—	—	—
	W	\$3091	—	—	—
	SW	\$5817	—	—	—

		NG	C2	CR	CA
ET422R T	L	\$2386	—	—	—
	C	\$2942	—	—	—
	W	\$3180	—	—	—
	SW	\$5931	—	—	—

Eames® Contract Base, T-Leg Table,
 Rectangular *continued*

		NG	C2	CR	CA
ET423R T	L	\$2475	—	—	—
	C	\$3034	—	—	—
	W	\$3270	—	—	—
	SW	\$6468	—	—	—

		NG	C2	CR	CA
ET424R T	L	\$2568	—	—	—
	C	\$3125	—	—	—
	W	\$3357	—	—	—
	SW	\$6782	—	—	—

		NG	C2	CR	CA
ET425R T	L	\$2656	—	—	—
	C	\$3213	—	—	—
	W	\$3450	—	—	—
	SW	\$6938	—	—	—

		NG	C2	CR	CA
ET487R T	L	\$2746	—	—	—
	C	\$3304	—	—	—
	W	\$3540	—	—	—
	SW	\$6857	—	—	—

		NG	C2	CR	CA
ET426R T	L	\$2836	—	—	—
	C	\$3438	—	—	—
	W	\$3730	—	—	—
	SW	\$7181	—	—	—

		NG	C2	CR	CA
ET488R T	L	\$2925	—	—	—
	C	\$3568	—	—	—
	W	\$3920	—	—	—
	SW	\$7394	—	—	—

		NG	C2	CR	CA
ET442R T	L	\$3065	3745	3405	4084
	C	\$3642	4319	3982	4658
	W	\$3931	4607	4267	4945
	SW	\$8437	9781	9082	9852

		NG	C2	CR	CA
ET427R T	L	\$2997	3674	3334	4013
	C	\$3606	4283	3946	4622
	W	\$3924	4604	4265	4943
	SW	\$8752	10097	9425	10167

		NG	C2	CR	CA
ET443R T	L	\$3136	3813	3476	4153
	C	\$3746	4423	4085	4762
	W	\$4085	4762	4423	5102
	SW	\$9008	10351	9680	10422

		NG	C2	CR	CA
ET428R T	L	\$3199	3881	3541	4217
	C	\$3676	4352	4016	4692
	W	\$4006	4684	4345	5021

		NG	C2	CR	CA
ET444R T	L	\$3266	3945	3604	4282
	C	\$4010	4688	4351	5026
	W	\$4437	5117	4777	5453

		NG	C2	CR	CA
ET429R T	L	\$3439	4118	3778	4456
	C	\$3233	4756	4417	5093
	W	\$3604	5211	4874	5551

		NG	C2	CR	CA
ET450R T	L	\$3612	4290	3950	4628
	C	\$4145	4822	4481	5159
	W	\$4629	5307	4968	5646

		NG	C2	CR	CA
ET451R T	L	\$3710	4391	4051	4727
	C	\$4196	4876	4535	5212
	W	\$4671	5346	5008	5686

		NG	C2	CR	CA
ET452R T	L	\$3785	4463	4122	4800
	C	\$4377	5055	4717	5392
	W	\$4820	5497	5158	5835

		NG	C2	CR	CA
ET445R T	L	\$3827	4503	4165	4842
	C	\$4394	5099	4759	5437
	W	\$4872	5550	5210	5887

		NG	C2	CR	CA
ET430R T	L	\$3866	4538	4205	4876
	C	\$4468	5140	4806	5477
	W	\$4924	5597	5262	5933

Eames® Contract Base, T-Leg Table,
Rectangular *continued*

Eames® Tables

		NG	C2	CR	CA
ET431R T	L	\$3911	4583	4246	4918
	C	\$4517	5190	4854	5525
	W	\$4980	5651	5314	5986

		NG	C2	CR	CA
ET432R T	L	\$3952	4625	4290	4961
	C	\$4567	5239	4905	5576
	W	\$5034	5706	5370	6041

		NG	C2	CR	CA
ET433R T	L	\$3997	4669	4332	5005
	C	\$4617	5290	4954	5625
	W	\$5089	5760	5425	6098

		NG	C2	CR	CA
ET434R T	L	\$4083	4755	4418	5090
	C	\$4669	5340	5005	5678
	W	\$5144	5818	5482	6153

		NG	C2	CR	CA
ET454R T	L	\$4267	4945	4607	5284
	C	\$4880	5556	5215	5895
	W	\$5322	5998	5658	6335

		NG	C2	CR	CA
ET447R T	L	\$4354	5032	4695	5371
	C	\$4971	5651	5313	5989
	W	\$5488	6167	5829	6504

		NG	C2	CR	CA
ET521R T	L	\$2299	—	—	—
	C	\$2856	—	—	—
	W	\$3091	—	—	—
	SW	\$5817	—	—	—

		NG	C2	CR	CA
ET522R T	L	\$2386	—	—	—
	C	\$2942	—	—	—
	W	\$3180	—	—	—
	SW	\$5931	—	—	—

		NG	C2	CR	CA
ET523R T	L	\$2475	—	—	—
	C	\$3034	—	—	—
	W	\$3270	—	—	—
	SW	\$6468	—	—	—

		NG	C2	CR	CA
ET524R T	L	\$2568	—	—	—
	C	\$3125	—	—	—
	W	\$3357	—	—	—
	SW	\$6782	—	—	—

		NG	C2	CR	CA
ET525R T	L	\$2656	—	—	—
	C	\$3213	—	—	—
	W	\$3450	—	—	—
	SW	\$6938	—	—	—

		NG	C2	CR	CA
ET587R T	L	\$2746	—	—	—
	C	\$3304	—	—	—
	W	\$3540	—	—	—
	SW	\$6857	—	—	—

		NG	C2	CR	CA
ET526R T	L	\$2836	—	—	—
	C	\$3438	—	—	—
	W	\$3730	—	—	—
	SW	\$7181	—	—	—

		NG	C2	CR	CA
ET588R T	L	\$2925	—	—	—
	C	\$3568	—	—	—
	W	\$3920	—	—	—
	SW	\$7394	—	—	—

		NG	C2	CR	CA
ET542R T	L	\$3065	3745	3405	4084
	C	\$3642	4319	3982	4658
	W	\$3931	4607	4267	4945
	SW	\$8437	9781	9109	9852

		NG	C2	CR	CA
ET527R T	L	\$3101	3780	3440	4119
	C	\$3696	4370	4034	4711
	W	\$4007	4685	4346	5022
	SW	\$8752	10097	9425	10167

		NG	C2	CR	CA
ET543R T	L	\$3136	3813	3476	4153
	C	\$3746	4423	4085	4762
	W	\$4085	4762	4423	5102
	SW	\$9008	10351	9680	10422

Eames® Contract Base, T-Leg Table,
Rectangular *continued*

			NG	C2	CR	CA
ET528R	T	L	\$3573	4252	3913	4590
		C	\$4093	4769	4431	5108
		W	\$2044	2384	4600	5278

			NG	C2	CR	CA
ET544R	T	L	\$3266	3945	3604	4282
		C	\$4010	4688	4351	5026
		W	\$4437	5117	4777	5453

			NG	C2	CR	CA
ET529R	T	L	\$3439	4118	3778	4456
		C	\$4077	4756	4417	5093
		W	\$4534	5211	4874	5551

			NG	C2	CR	CA
ET550R	T	L	\$3612	4290	3950	4628
		C	\$4145	4822	4481	5159
		W	\$4629	5307	4968	5646

			NG	C2	CR	CA
ET551R	T	L	\$3710	4391	4051	4727
		C	\$4196	4876	4535	5212
		W	\$4671	5346	5008	5686

			NG	C2	CR	CA
ET552R	T	L	\$3785	4463	4122	4800
		C	\$4377	5055	4717	5392
		W	\$4820	5497	5158	5835

			NG	C2	CR	CA
ET545R	T	L	\$3827	4503	4165	4842
		C	\$4420	5099	4759	5437
		W	\$4872	5550	5210	5887

			NG	C2	CR	CA
ET530R	T	L	\$3866	4538	4205	4876
		C	\$4468	5140	4806	5477
		W	\$4924	5597	5262	5933

			NG	C2	CR	CA
ET531R	T	L	\$3911	4583	4246	4918
		C	\$4517	5190	4854	5525
		W	\$4980	5651	5314	5986

			NG	C2	CR	CA
ET532R	T	L	\$3952	4625	4290	4961
		C	\$4567	5239	4905	5576
		W	\$5034	5706	5370	6041

			NG	C2	CR	CA
ET533R	T	L	\$3997	4669	4332	5005
		C	\$4617	5290	4954	5625
		W	\$5089	5760	5425	6098

			NG	C2	CR	CA
ET534R	T	L	\$4083	4755	4418	5090
		C	\$4669	5340	5005	5678
		W	\$5144	5818	5482	6153

			NG	C2	CR	CA
ET554R	T	L	\$4267	4945	4607	5284
		C	\$4880	5556	5215	5895
		W	\$5322	5998	5658	6335

			NG	C2	CR	CA
ET547R	T	L	\$4354	5032	4695	5371
		C	\$4971	5651	5313	5989
		W	\$5488	6167	5829	6504

Step 7.

Top Finish: Solid-Color Laminate

For high-pressure laminate top with vinyl edge (L)

8Q	folkstone grey (CP)	<input type="checkbox"/>	+\$0
91	white (CP)	<input type="checkbox"/>	+\$0
98	studio white (CP)	<input type="checkbox"/>	+\$0
BKM	black matte	<input type="checkbox"/>	+\$0
CL	cool grey neutral	<input type="checkbox"/>	+\$0
HF	inner tone light	<input type="checkbox"/>	+\$0
LT	light tone	<input type="checkbox"/>	+\$0
LU	soft white	<input type="checkbox"/>	+\$0
WL	warm stone (CP)	<input type="checkbox"/>	+\$0
WN	warm grey neutral	<input type="checkbox"/>	+\$0

Eames® Contract Base, T-Leg Table,
Rectangular *continued*

Eames® Tables

Top Finish		
<i>For 24" deep x 42" wide (21R) with veneer top with vinyl edge (C)</i>		
CHD	noble cherry <input type="checkbox"/>	+\$140
WHN	natural white oak <input type="checkbox"/>	+\$0
2U	light brown walnut <input type="checkbox"/>	+\$140
40	dark brown walnut <input type="checkbox"/>	+\$140
9N	santos palisander <input type="checkbox"/>	+\$850
A2	white ash <input type="checkbox"/>	+\$140
EN	ebony <input type="checkbox"/>	+\$140
OU	walnut <input type="checkbox"/>	+\$140
UL	natural maple <input type="checkbox"/>	+\$140

Top Finish		
<i>For 24" deep x 48" wide (22R) with veneer top with vinyl edge (C)</i>		
CHD	noble cherry <input type="checkbox"/>	+\$160
WHN	natural white oak <input type="checkbox"/>	+\$0
2U	light brown walnut <input type="checkbox"/>	+\$160
40	dark brown walnut <input type="checkbox"/>	+\$160
9N	santos palisander <input type="checkbox"/>	+\$860
A2	white ash <input type="checkbox"/>	+\$160
EN	ebony <input type="checkbox"/>	+\$160
OU	walnut <input type="checkbox"/>	+\$160
UL	natural maple <input type="checkbox"/>	+\$160

Top Finish		
<i>For 24" deep x 60" wide (23R) with veneer top with vinyl edge (C)</i>		
CHD	noble cherry <input type="checkbox"/>	+\$200
WHN	natural white oak <input type="checkbox"/>	+\$0
2U	light brown walnut <input type="checkbox"/>	+\$200
40	dark brown walnut <input type="checkbox"/>	+\$200
9N	santos palisander <input type="checkbox"/>	+\$890
A2	white ash <input type="checkbox"/>	+\$200
EN	ebony <input type="checkbox"/>	+\$200
OU	walnut <input type="checkbox"/>	+\$200
UL	natural maple <input type="checkbox"/>	+\$200

Top Finish		
<i>For 24" deep x 66" wide (24R) with veneer top with vinyl edge (C)</i>		
CHD	noble cherry <input type="checkbox"/>	+\$220
WHN	natural white oak <input type="checkbox"/>	+\$0
2U	light brown walnut <input type="checkbox"/>	+\$220
40	dark brown walnut <input type="checkbox"/>	+\$220
9N	santos palisander <input type="checkbox"/>	+\$910
A2	white ash <input type="checkbox"/>	+\$220
EN	ebony <input type="checkbox"/>	+\$220
OU	walnut <input type="checkbox"/>	+\$220
UL	natural maple <input type="checkbox"/>	+\$220

Top Finish		
<i>For 24" deep x 72" wide (25R) with veneer top with vinyl edge (C)</i>		
CHD	noble cherry <input type="checkbox"/>	+\$240
WHN	natural white oak <input type="checkbox"/>	+\$0
2U	light brown walnut <input type="checkbox"/>	+\$240
40	dark brown walnut <input type="checkbox"/>	+\$240
9N	santos palisander <input type="checkbox"/>	+\$930
A2	white ash <input type="checkbox"/>	+\$240
EN	ebony <input type="checkbox"/>	+\$240
OU	walnut <input type="checkbox"/>	+\$240
UL	natural maple <input type="checkbox"/>	+\$240

Top Finish		
<i>For 30" deep x 60" wide (87R) with veneer top with vinyl edge (C)</i>		
CHD	noble cherry <input type="checkbox"/>	+\$250
WHN	natural white oak <input type="checkbox"/>	+\$0
2U	light brown walnut <input type="checkbox"/>	+\$250
40	dark brown walnut <input type="checkbox"/>	+\$250
9N	santos palisander <input type="checkbox"/>	+\$950
A2	white ash <input type="checkbox"/>	+\$250
EN	ebony <input type="checkbox"/>	+\$250
OU	walnut <input type="checkbox"/>	+\$250
UL	natural maple <input type="checkbox"/>	+\$250

Top Finish		
<i>For 30" deep x 66" wide (26R) with veneer top with vinyl edge (C)</i>		
CHD	noble cherry <input type="checkbox"/>	+\$260
WHN	natural white oak <input type="checkbox"/>	+\$0
2U	light brown walnut <input type="checkbox"/>	+\$260
40	dark brown walnut <input type="checkbox"/>	+\$260
9N	santos palisander <input type="checkbox"/>	+\$980
A2	white ash <input type="checkbox"/>	+\$260
EN	ebony <input type="checkbox"/>	+\$260
OU	walnut <input type="checkbox"/>	+\$260
UL	natural maple <input type="checkbox"/>	+\$260

Top Finish		
<i>For 30" deep x 72" wide (88R) with veneer top with vinyl edge (C)</i>		
CHD	noble cherry <input type="checkbox"/>	+\$265
WHN	natural white oak <input type="checkbox"/>	+\$0
2U	light brown walnut <input type="checkbox"/>	+\$265
40	dark brown walnut <input type="checkbox"/>	+\$265
9N	santos palisander <input type="checkbox"/>	+\$1009
A2	white ash <input type="checkbox"/>	+\$265
EN	ebony <input type="checkbox"/>	+\$265
OU	walnut <input type="checkbox"/>	+\$265
UL	natural maple <input type="checkbox"/>	+\$265

Eames® Contract Base, T-Leg Table,
Rectangular *continued*

Top Finish		
<i>For 36" deep x 60" wide (42R) with veneer top with vinyl edge (C)</i>		
CHD	noble cherry <input type="checkbox"/>	+\$265
WHN	natural white oak <input type="checkbox"/>	+\$0
2U	light brown walnut <input type="checkbox"/>	+\$265
40	dark brown walnut <input type="checkbox"/>	+\$265
9N	santos palisander <input type="checkbox"/>	+\$1009
A2	white ash <input type="checkbox"/>	+\$265
EN	ebony <input type="checkbox"/>	+\$265
OU	walnut <input type="checkbox"/>	+\$265
UL	natural maple <input type="checkbox"/>	+\$265

Top Finish		
<i>For 36" deep x 66" wide (27R) with veneer top with vinyl edge (C)</i>		
CHD	noble cherry <input type="checkbox"/>	+\$280
WHN	natural white oak <input type="checkbox"/>	+\$0
2U	light brown walnut <input type="checkbox"/>	+\$280
40	dark brown walnut <input type="checkbox"/>	+\$280
9N	santos palisander <input type="checkbox"/>	+\$1104
A2	white ash <input type="checkbox"/>	+\$280
EN	ebony <input type="checkbox"/>	+\$280
OU	walnut <input type="checkbox"/>	+\$280
UL	natural maple <input type="checkbox"/>	+\$280

Top Finish		
<i>For 36" deep x 72" wide (43R) with veneer top with vinyl edge (C)</i>		
CHD	noble cherry <input type="checkbox"/>	+\$290
WHN	natural white oak <input type="checkbox"/>	+\$0
2U	light brown walnut <input type="checkbox"/>	+\$290
40	dark brown walnut <input type="checkbox"/>	+\$290
9N	santos palisander <input type="checkbox"/>	+\$1160
A2	white ash <input type="checkbox"/>	+\$290
EN	ebony <input type="checkbox"/>	+\$290
OU	walnut <input type="checkbox"/>	+\$290
UL	natural maple <input type="checkbox"/>	+\$290

Top Finish		
<i>For 36" deep x 78" wide (28R) with veneer top with vinyl edge (C)</i>		
CHD	noble cherry <input type="checkbox"/>	+\$295
WHN	natural white oak <input type="checkbox"/>	+\$0
2U	light brown walnut <input type="checkbox"/>	+\$295
40	dark brown walnut <input type="checkbox"/>	+\$295
9N	santos palisander <input type="checkbox"/>	+\$1170
A2	white ash <input type="checkbox"/>	+\$295
EN	ebony <input type="checkbox"/>	+\$295
OU	walnut <input type="checkbox"/>	+\$295
UL	natural maple <input type="checkbox"/>	+\$295

Top Finish		
<i>For 36" deep x 84" wide (44R) with veneer top with vinyl edge (C)</i>		
CHD	noble cherry <input type="checkbox"/>	+\$305
WHN	natural white oak <input type="checkbox"/>	+\$0
2U	light brown walnut <input type="checkbox"/>	+\$305
40	dark brown walnut <input type="checkbox"/>	+\$305
9N	santos palisander <input type="checkbox"/>	+\$1220
A2	white ash <input type="checkbox"/>	+\$305
EN	ebony <input type="checkbox"/>	+\$305
OU	walnut <input type="checkbox"/>	+\$305
UL	natural maple <input type="checkbox"/>	+\$305

Top Finish		
<i>For 42" deep x 60" wide (29R) with veneer top with vinyl edge (C)</i>		
CHD	noble cherry <input type="checkbox"/>	+\$290
WHN	natural white oak <input type="checkbox"/>	+\$0
2U	light brown walnut <input type="checkbox"/>	+\$290
40	dark brown walnut <input type="checkbox"/>	+\$290
9N	santos palisander <input type="checkbox"/>	+\$1160
A2	white ash <input type="checkbox"/>	+\$290
EN	ebony <input type="checkbox"/>	+\$290
OU	walnut <input type="checkbox"/>	+\$290
UL	natural maple <input type="checkbox"/>	+\$290

Top Finish		
<i>For 42" deep x 66" wide (50R) with veneer top with vinyl edge (C)</i>		
CHD	noble cherry <input type="checkbox"/>	+\$290
WHN	natural white oak <input type="checkbox"/>	+\$0
2U	light brown walnut <input type="checkbox"/>	+\$290
40	dark brown walnut <input type="checkbox"/>	+\$290
9N	santos palisander <input type="checkbox"/>	+\$1160
A2	white ash <input type="checkbox"/>	+\$290
EN	ebony <input type="checkbox"/>	+\$290
OU	walnut <input type="checkbox"/>	+\$290
UL	natural maple <input type="checkbox"/>	+\$290

Top Finish		
<i>For 42" deep x 72" wide (51R) with veneer top with vinyl edge (C)</i>		
CHD	noble cherry <input type="checkbox"/>	+\$305
WHN	natural white oak <input type="checkbox"/>	+\$0
2U	light brown walnut <input type="checkbox"/>	+\$305
40	dark brown walnut <input type="checkbox"/>	+\$305
9N	santos palisander <input type="checkbox"/>	+\$1220
A2	white ash <input type="checkbox"/>	+\$305
EN	ebony <input type="checkbox"/>	+\$305
OU	walnut <input type="checkbox"/>	+\$305
UL	natural maple <input type="checkbox"/>	+\$305

Eames® Contract Base, T-Leg Table,
Rectangular *continued*

Eames® Tables

Top Finish		
<i>For 42" deep x 78" wide (52R) with veneer top with vinyl edge (C)</i>		
CHD	noble cherry <input type="checkbox"/> A	+\$330
WHN	natural white oak <input type="checkbox"/> A	+\$0
2U	light brown walnut <input type="checkbox"/> A	+\$330
40	dark brown walnut <input type="checkbox"/> A	+\$330
9N	santos palisander <input type="checkbox"/> A	+\$1320
A2	white ash <input type="checkbox"/> A	+\$330
EN	ebony <input type="checkbox"/> A	+\$330
OU	walnut <input type="checkbox"/> A	+\$330
UL	natural maple <input type="checkbox"/> A	+\$330

Top Finish		
<i>For 42" deep x 84" wide (45R) with veneer top with vinyl edge (C)</i>		
CHD	noble cherry <input type="checkbox"/> A	+\$330
WHN	natural white oak <input type="checkbox"/> A	+\$0
2U	light brown walnut <input type="checkbox"/> A	+\$330
40	dark brown walnut <input type="checkbox"/> A	+\$330
9N	santos palisander <input type="checkbox"/> A	+\$1320
A2	white ash <input type="checkbox"/> A	+\$330
EN	ebony <input type="checkbox"/> A	+\$330
OU	walnut <input type="checkbox"/> A	+\$330
UL	natural maple <input type="checkbox"/> A	+\$330

Top Finish		
<i>For 42" deep x 96" wide (30R) with veneer top with vinyl edge (C)</i>		
CHD	noble cherry <input type="checkbox"/> A	+\$385
WHN	natural white oak <input type="checkbox"/> A	+\$0
2U	light brown walnut <input type="checkbox"/> A	+\$385
40	dark brown walnut <input type="checkbox"/> A	+\$385
9N	santos palisander <input type="checkbox"/> A	+\$1656
A2	white ash <input type="checkbox"/> A	+\$385
EN	ebony <input type="checkbox"/> A	+\$385
OU	walnut <input type="checkbox"/> A	+\$385
UL	natural maple <input type="checkbox"/> A	+\$385

Top Finish		
<i>For 48" deep x 60" wide (31R) with veneer top with vinyl edge (C)</i>		
CHD	noble cherry <input type="checkbox"/> A	+\$305
WHN	natural white oak <input type="checkbox"/> A	+\$0
2U	light brown walnut <input type="checkbox"/> A	+\$305
40	dark brown walnut <input type="checkbox"/> A	+\$305
9N	santos palisander <input type="checkbox"/> A	+\$1220
A2	white ash <input type="checkbox"/> A	+\$305
EN	ebony <input type="checkbox"/> A	+\$305
OU	walnut <input type="checkbox"/> A	+\$305
UL	natural maple <input type="checkbox"/> A	+\$305

Top Finish		
<i>For 48" deep x 66" wide (32R) with veneer top with vinyl edge (C)</i>		
CHD	noble cherry <input type="checkbox"/> A	+\$330
WHN	natural white oak <input type="checkbox"/> A	+\$0
2U	light brown walnut <input type="checkbox"/> A	+\$330
40	dark brown walnut <input type="checkbox"/> A	+\$330
9N	santos palisander <input type="checkbox"/> A	+\$1320
A2	white ash <input type="checkbox"/> A	+\$330
EN	ebony <input type="checkbox"/> A	+\$330
OU	walnut <input type="checkbox"/> A	+\$330
UL	natural maple <input type="checkbox"/> A	+\$330

Top Finish		
<i>For 48" deep x 72" wide (33R) with veneer top with vinyl edge (C)</i>		
CHD	noble cherry <input type="checkbox"/> A	+\$330
WHN	natural white oak <input type="checkbox"/> A	+\$0
2U	light brown walnut <input type="checkbox"/> A	+\$330
40	dark brown walnut <input type="checkbox"/> A	+\$330
9N	santos palisander <input type="checkbox"/> A	+\$1320
A2	white ash <input type="checkbox"/> A	+\$330
EN	ebony <input type="checkbox"/> A	+\$330
OU	walnut <input type="checkbox"/> A	+\$330
UL	natural maple <input type="checkbox"/> A	+\$330

Top Finish		
<i>For 48" deep x 78" wide (34R) with veneer top with vinyl edge (C)</i>		
CHD	noble cherry <input type="checkbox"/> A	+\$330
WHN	natural white oak <input type="checkbox"/> A	+\$0
2U	light brown walnut <input type="checkbox"/> A	+\$330
40	dark brown walnut <input type="checkbox"/> A	+\$330
9N	santos palisander <input type="checkbox"/> A	+\$1320
A2	white ash <input type="checkbox"/> A	+\$330
EN	ebony <input type="checkbox"/> A	+\$330
OU	walnut <input type="checkbox"/> A	+\$330
UL	natural maple <input type="checkbox"/> A	+\$330

Top Finish		
<i>For 48" deep x 84" wide (54R) with veneer top with vinyl edge (C)</i>		
CHD	noble cherry <input type="checkbox"/> A	+\$385
WHN	natural white oak <input type="checkbox"/> A	+\$0
2U	light brown walnut <input type="checkbox"/> A	+\$385
40	dark brown walnut <input type="checkbox"/> A	+\$385
9N	santos palisander <input type="checkbox"/> A	+\$1656
A2	white ash <input type="checkbox"/> A	+\$385
EN	ebony <input type="checkbox"/> A	+\$385
OU	walnut <input type="checkbox"/> A	+\$385
UL	natural maple <input type="checkbox"/> A	+\$385

Eames® Contract Base, T-Leg Table,
Rectangular *continued*

Top Finish		
<i>For 48" deep x 96" wide (47R) with veneer top with vinyl edge (C)</i>		
CHD	noble cherry <input type="checkbox"/>	+\$385
WHN	natural white oak <input type="checkbox"/>	+\$0
2U	light brown walnut <input type="checkbox"/>	+\$385
40	dark brown walnut <input type="checkbox"/>	+\$385
9N	santos palisander <input type="checkbox"/>	+\$1656
A2	white ash <input type="checkbox"/>	+\$385
EN	ebony <input type="checkbox"/>	+\$385
OU	walnut <input type="checkbox"/>	+\$385
UL	natural maple <input type="checkbox"/>	+\$385

Top Finish		
<i>For 24" deep x 42" wide (21R) with solid wood top (SW)</i>		
OU	walnut <input type="checkbox"/>	+\$375
WHN	natural white oak <input type="checkbox"/>	+\$0

Top Finish		
<i>For 24" deep x 48" wide (22R) with solid wood top (SW)</i>		
OU	walnut <input type="checkbox"/>	+\$425
WHN	natural white oak <input type="checkbox"/>	+\$0

Top Finish		
<i>For 24" deep x 60" wide (23R) with solid wood top (SW)</i>		
OU	walnut <input type="checkbox"/>	+\$515
WHN	natural white oak <input type="checkbox"/>	+\$0

Top Finish		
<i>For 24" deep x 66" wide (24R) with solid wood top (SW)</i>		
OU	walnut <input type="checkbox"/>	+\$565
WHN	natural white oak <input type="checkbox"/>	+\$0

Top Finish		
<i>For 24" deep x 72" wide (25R) with solid wood top (SW)</i>		
OU	walnut <input type="checkbox"/>	+\$610
WHN	natural white oak <input type="checkbox"/>	+\$0

Top Finish		
<i>For 30" deep x 60" wide (87R) with solid wood top (SW)</i>		
OU	walnut <input type="checkbox"/>	+\$575
WHN	natural white oak <input type="checkbox"/>	+\$0

Top Finish		
<i>For 30" deep x 66" wide (26R) with solid wood top (SW)</i>		
OU	walnut <input type="checkbox"/>	+\$625
WHN	natural white oak <input type="checkbox"/>	+\$0

Top Finish		
<i>For 30" deep x 72" wide (88R) with solid wood top (SW)</i>		
OU	walnut <input type="checkbox"/>	+\$675
WHN	natural white oak <input type="checkbox"/>	+\$0

Top Finish		
<i>For 36" deep x 60" wide (42R) with solid wood top (SW)</i>		
OU	walnut <input type="checkbox"/>	+\$700
WHN	natural white oak <input type="checkbox"/>	+\$0

Top Finish		
<i>For 36" deep x 66" wide (27R) with solid wood top (SW)</i>		
OU	walnut <input type="checkbox"/>	+\$750
WHN	natural white oak <input type="checkbox"/>	+\$0

Top Finish		
<i>For 36" deep x 72" wide (43R) with solid wood top (SW)</i>		
OU	walnut <input type="checkbox"/>	+\$815
WHN	natural white oak <input type="checkbox"/>	+\$0

Top/Edge Finish		
<i>For 24" deep x 42" wide (21R) with veneer top with veneer edge (W)</i>		
CHD	noble cherry <input type="checkbox"/>	+\$140
WHN	natural white oak <input type="checkbox"/>	+\$0
2U	light brown walnut <input type="checkbox"/>	+\$140
40	dark brown walnut <input type="checkbox"/>	+\$140
9N	santos palisander <input type="checkbox"/>	+\$850
A2	white ash <input type="checkbox"/>	+\$140
EN	ebony <input type="checkbox"/>	+\$140
OU	walnut <input type="checkbox"/>	+\$140
UL	natural maple <input type="checkbox"/>	+\$140

Top/Edge Finish		
<i>For 24" deep x 48" wide (22R) with veneer top with veneer edge (W)</i>		
CHD	noble cherry <input type="checkbox"/>	+\$160
WHN	natural white oak <input type="checkbox"/>	+\$0
2U	light brown walnut <input type="checkbox"/>	+\$160
40	dark brown walnut <input type="checkbox"/>	+\$160
9N	santos palisander <input type="checkbox"/>	+\$860
A2	white ash <input type="checkbox"/>	+\$160
EN	ebony <input type="checkbox"/>	+\$160
OU	walnut <input type="checkbox"/>	+\$160
UL	natural maple <input type="checkbox"/>	+\$160

Eames® Contract Base, T-Leg Table,
Rectangular *continued*

Eames® Tables

Top/Edge Finish		
<i>For 24" deep x 60" wide (23R) with veneer top with veneer edge (W)</i>		
CHD	noble cherry <input type="checkbox"/>	+\$200
WHN	natural white oak <input type="checkbox"/>	+\$0
2U	light brown walnut <input type="checkbox"/>	+\$200
40	dark brown walnut <input type="checkbox"/>	+\$200
9N	santos palisander <input type="checkbox"/>	+\$890
A2	white ash <input type="checkbox"/>	+\$200
EN	ebony <input type="checkbox"/>	+\$200
OU	walnut <input type="checkbox"/>	+\$200
UL	natural maple <input type="checkbox"/>	+\$200

Top/Edge Finish		
<i>For 24" deep x 66" wide (24R) with veneer top with veneer edge (W)</i>		
CHD	noble cherry <input type="checkbox"/>	+\$220
WHN	natural white oak <input type="checkbox"/>	+\$0
2U	light brown walnut <input type="checkbox"/>	+\$220
40	dark brown walnut <input type="checkbox"/>	+\$220
9N	santos palisander <input type="checkbox"/>	+\$910
A2	white ash <input type="checkbox"/>	+\$220
EN	ebony <input type="checkbox"/>	+\$220
OU	walnut <input type="checkbox"/>	+\$220
UL	natural maple <input type="checkbox"/>	+\$220

Top/Edge Finish		
<i>For 24" deep x 72" wide (25R) with veneer top with veneer edge (W)</i>		
CHD	noble cherry <input type="checkbox"/>	+\$240
WHN	natural white oak <input type="checkbox"/>	+\$0
2U	light brown walnut <input type="checkbox"/>	+\$240
40	dark brown walnut <input type="checkbox"/>	+\$240
9N	santos palisander <input type="checkbox"/>	+\$930
A2	white ash <input type="checkbox"/>	+\$240
EN	ebony <input type="checkbox"/>	+\$240
OU	walnut <input type="checkbox"/>	+\$240
UL	natural maple <input type="checkbox"/>	+\$240

Top/Edge Finish		
<i>For 30" deep x 60" wide (87R) with veneer top with veneer edge (W)</i>		
CHD	noble cherry <input type="checkbox"/>	+\$250
WHN	natural white oak <input type="checkbox"/>	+\$0
2U	light brown walnut <input type="checkbox"/>	+\$250
40	dark brown walnut <input type="checkbox"/>	+\$250
9N	santos palisander <input type="checkbox"/>	+\$950
A2	white ash <input type="checkbox"/>	+\$250
EN	ebony <input type="checkbox"/>	+\$250
OU	walnut <input type="checkbox"/>	+\$250
UL	natural maple <input type="checkbox"/>	+\$250

Top/Edge Finish		
<i>For 30" deep x 66" wide (26R) with veneer top with veneer edge (W)</i>		
CHD	noble cherry <input type="checkbox"/>	+\$260
WHN	natural white oak <input type="checkbox"/>	+\$0
2U	light brown walnut <input type="checkbox"/>	+\$260
40	dark brown walnut <input type="checkbox"/>	+\$260
9N	santos palisander <input type="checkbox"/>	+\$980
A2	white ash <input type="checkbox"/>	+\$260
EN	ebony <input type="checkbox"/>	+\$260
OU	walnut <input type="checkbox"/>	+\$260
UL	natural maple <input type="checkbox"/>	+\$260

Top/Edge Finish		
<i>For 30" deep x 72" wide (88R) with veneer top with veneer edge (W)</i>		
CHD	noble cherry <input type="checkbox"/>	+\$265
WHN	natural white oak <input type="checkbox"/>	+\$0
2U	light brown walnut <input type="checkbox"/>	+\$265
40	dark brown walnut <input type="checkbox"/>	+\$265
9N	santos palisander <input type="checkbox"/>	+\$1009
A2	white ash <input type="checkbox"/>	+\$265
EN	ebony <input type="checkbox"/>	+\$265
OU	walnut <input type="checkbox"/>	+\$265
UL	natural maple <input type="checkbox"/>	+\$265

Top/Edge Finish		
<i>For 36" deep x 60" wide (42R) with veneer top with veneer edge (W)</i>		
CHD	noble cherry <input type="checkbox"/>	+\$265
WHN	natural white oak <input type="checkbox"/>	+\$0
2U	light brown walnut <input type="checkbox"/>	+\$265
40	dark brown walnut <input type="checkbox"/>	+\$265
9N	santos palisander <input type="checkbox"/>	+\$1009
A2	white ash <input type="checkbox"/>	+\$265
EN	ebony <input type="checkbox"/>	+\$265
OU	walnut <input type="checkbox"/>	+\$265
UL	natural maple <input type="checkbox"/>	+\$265

Top/Edge Finish		
<i>For 36" deep x 66" wide (27R) with veneer top with veneer edge (W)</i>		
2U	light brown walnut <input type="checkbox"/>	+\$280
40	dark brown walnut <input type="checkbox"/>	+\$280
9N	santos palisander <input type="checkbox"/>	+\$1104
A2	white ash <input type="checkbox"/>	+\$280
CHD	noble cherry <input type="checkbox"/>	+\$280
EN	ebony <input type="checkbox"/>	+\$280
OU	walnut <input type="checkbox"/>	+\$280
UL	natural maple <input type="checkbox"/>	+\$280
WHN	natural white oak <input type="checkbox"/>	+\$0

Eames® Contract Base, T-Leg Table,
Rectangular *continued*

Top/Edge Finish		
<i>For 36" deep x 72" wide (43R) with veneer top with veneer edge (W)</i>		
2U	light brown walnut <input type="checkbox"/>	+\$290
40	dark brown walnut <input type="checkbox"/>	+\$290
9N	santos palisander <input type="checkbox"/>	+\$1160
A2	white ash <input type="checkbox"/>	+\$290
CHD	noble cherry <input type="checkbox"/>	+\$290
EN	ebony <input type="checkbox"/>	+\$290
OU	walnut <input type="checkbox"/>	+\$290
UL	natural maple <input type="checkbox"/>	+\$290
WHN	natural white oak <input type="checkbox"/>	+\$0

Top/Edge Finish		
<i>For 36" deep x 78" wide (28R) with veneer top with veneer edge (W)</i>		
2U	light brown walnut <input type="checkbox"/>	+\$295
40	dark brown walnut <input type="checkbox"/>	+\$295
9N	santos palisander <input type="checkbox"/>	+\$1170
A2	white ash <input type="checkbox"/>	+\$295
CHD	noble cherry <input type="checkbox"/>	+\$295
EN	ebony <input type="checkbox"/>	+\$295
OU	walnut <input type="checkbox"/>	+\$295
UL	natural maple <input type="checkbox"/>	+\$295
WHN	natural white oak <input type="checkbox"/>	+\$0

Top/Edge Finish		
<i>For 36" deep x 84" wide (44R) with veneer top with veneer edge (W)</i>		
2U	light brown walnut <input type="checkbox"/>	+\$305
40	dark brown walnut <input type="checkbox"/>	+\$305
9N	santos palisander <input type="checkbox"/>	+\$1220
A2	white ash <input type="checkbox"/>	+\$305
CHD	noble cherry <input type="checkbox"/>	+\$305
EN	ebony <input type="checkbox"/>	+\$305
OU	walnut <input type="checkbox"/>	+\$305
UL	natural maple <input type="checkbox"/>	+\$305
WHN	natural white oak <input type="checkbox"/>	+\$0

Top/Edge Finish		
<i>For 42" deep x 60" wide (29R) with veneer top with veneer edge (W)</i>		
2U	light brown walnut <input type="checkbox"/>	+\$290
40	dark brown walnut <input type="checkbox"/>	+\$290
9N	santos palisander <input type="checkbox"/>	+\$1160
A2	white ash <input type="checkbox"/>	+\$290
CHD	noble cherry <input type="checkbox"/>	+\$290
EN	ebony <input type="checkbox"/>	+\$290
OU	walnut <input type="checkbox"/>	+\$290
UL	natural maple <input type="checkbox"/>	+\$290
WHN	natural white oak <input type="checkbox"/>	+\$0

Top/Edge Finish		
<i>For 42" deep x 66" wide (50R) with veneer top with veneer edge (W)</i>		
2U	light brown walnut <input type="checkbox"/>	+\$290
40	dark brown walnut <input type="checkbox"/>	+\$290
9N	santos palisander <input type="checkbox"/>	+\$1160
A2	white ash <input type="checkbox"/>	+\$290
CHD	noble cherry <input type="checkbox"/>	+\$290
EN	ebony <input type="checkbox"/>	+\$290
OU	walnut <input type="checkbox"/>	+\$290
UL	natural maple <input type="checkbox"/>	+\$290
WHN	natural white oak <input type="checkbox"/>	+\$0

Top/Edge Finish		
<i>For 42" deep x 72" wide (51R) with veneer top with veneer edge (W)</i>		
2U	light brown walnut <input type="checkbox"/>	+\$305
40	dark brown walnut <input type="checkbox"/>	+\$305
9N	santos palisander <input type="checkbox"/>	+\$1220
A2	white ash <input type="checkbox"/>	+\$305
CHD	noble cherry <input type="checkbox"/>	+\$305
EN	ebony <input type="checkbox"/>	+\$305
OU	walnut <input type="checkbox"/>	+\$305
UL	natural maple <input type="checkbox"/>	+\$305
WHN	natural white oak <input type="checkbox"/>	+\$0

Top/Edge Finish		
<i>For 42" deep x 78" wide (52R) with veneer top with veneer edge (W)</i>		
CHD	noble cherry <input type="checkbox"/>	+\$330
WHN	natural white oak <input type="checkbox"/>	+\$0
2U	light brown walnut <input type="checkbox"/>	+\$330
40	dark brown walnut <input type="checkbox"/>	+\$330
9N	santos palisander <input type="checkbox"/>	+\$1320
A2	white ash <input type="checkbox"/>	+\$330
EN	ebony <input type="checkbox"/>	+\$330
OU	walnut <input type="checkbox"/>	+\$330
UL	natural maple <input type="checkbox"/>	+\$330

Top/Edge Finish		
<i>For 42" deep x 84" wide (45R) with veneer top with veneer edge (W)</i>		
CHD	noble cherry <input type="checkbox"/>	+\$330
WHN	natural white oak <input type="checkbox"/>	+\$0
2U	light brown walnut <input type="checkbox"/>	+\$330
40	dark brown walnut <input type="checkbox"/>	+\$330
9N	santos palisander <input type="checkbox"/>	+\$1320
A2	white ash <input type="checkbox"/>	+\$330
EN	ebony <input type="checkbox"/>	+\$330
OU	walnut <input type="checkbox"/>	+\$330
UL	natural maple <input type="checkbox"/>	+\$330

Eames® Contract Base, T-Leg Table,
Rectangular *continued*

Eames® Tables

Top/Edge Finish		
<i>For 42" deep x 96" wide (30R) with veneer top with veneer edge (W)</i>		
CHD	noble cherry <input type="checkbox"/>	+\$385
WHN	natural white oak <input type="checkbox"/>	+\$0
2U	light brown walnut <input type="checkbox"/>	+\$385
40	dark brown walnut <input type="checkbox"/>	+\$385
9N	santos palisander <input type="checkbox"/>	+\$1656
A2	white ash <input type="checkbox"/>	+\$385
EN	ebony <input type="checkbox"/>	+\$385
OU	walnut <input type="checkbox"/>	+\$385
UL	natural maple <input type="checkbox"/>	+\$385

Top/Edge Finish		
<i>For 48" deep x 60" wide (31R) with veneer top with veneer edge (W)</i>		
CHD	noble cherry <input type="checkbox"/>	+\$305
WHN	natural white oak <input type="checkbox"/>	+\$0
2U	light brown walnut <input type="checkbox"/>	+\$305
40	dark brown walnut <input type="checkbox"/>	+\$305
9N	santos palisander <input type="checkbox"/>	+\$1220
A2	white ash <input type="checkbox"/>	+\$305
EN	ebony <input type="checkbox"/>	+\$305
OU	walnut <input type="checkbox"/>	+\$305
UL	natural maple <input type="checkbox"/>	+\$305

Top/Edge Finish		
<i>For 48" deep x 66" wide (32R) with veneer top with veneer edge (W)</i>		
CHD	noble cherry <input type="checkbox"/>	+\$330
WHN	natural white oak <input type="checkbox"/>	+\$0
2U	light brown walnut <input type="checkbox"/>	+\$330
40	dark brown walnut <input type="checkbox"/>	+\$330
9N	santos palisander <input type="checkbox"/>	+\$1320
A2	white ash <input type="checkbox"/>	+\$330
EN	ebony <input type="checkbox"/>	+\$330
OU	walnut <input type="checkbox"/>	+\$330
UL	natural maple <input type="checkbox"/>	+\$330

Top/Edge Finish		
<i>For 48" deep x 72" wide (33R) with veneer top with veneer edge (W)</i>		
CHD	noble cherry <input type="checkbox"/>	+\$330
WHN	natural white oak <input type="checkbox"/>	+\$0
2U	light brown walnut <input type="checkbox"/>	+\$330
40	dark brown walnut <input type="checkbox"/>	+\$330
9N	santos palisander <input type="checkbox"/>	+\$1320
A2	white ash <input type="checkbox"/>	+\$330
EN	ebony <input type="checkbox"/>	+\$330
OU	walnut <input type="checkbox"/>	+\$330
UL	natural maple <input type="checkbox"/>	+\$330

Top/Edge Finish		
<i>For 48" deep x 78" wide (34R) with veneer top with veneer edge (W)</i>		
CHD	noble cherry <input type="checkbox"/>	+\$330
WHN	natural white oak <input type="checkbox"/>	+\$0
2U	light brown walnut <input type="checkbox"/>	+\$330
40	dark brown walnut <input type="checkbox"/>	+\$330
9N	santos palisander <input type="checkbox"/>	+\$1320
A2	white ash <input type="checkbox"/>	+\$330
EN	ebony <input type="checkbox"/>	+\$330
OU	walnut <input type="checkbox"/>	+\$330
UL	natural maple <input type="checkbox"/>	+\$330

Top/Edge Finish		
<i>For 48" deep x 84" wide (54R) with veneer top with veneer edge (W)</i>		
CHD	noble cherry <input type="checkbox"/>	+\$385
WHN	natural white oak <input type="checkbox"/>	+\$0
2U	light brown walnut <input type="checkbox"/>	+\$385
40	dark brown walnut <input type="checkbox"/>	+\$385
9N	santos palisander <input type="checkbox"/>	+\$1656
A2	white ash <input type="checkbox"/>	+\$385
EN	ebony <input type="checkbox"/>	+\$385
OU	walnut <input type="checkbox"/>	+\$385
UL	natural maple <input type="checkbox"/>	+\$385

Top/Edge Finish		
<i>For 48" deep x 96" wide (47R) with veneer top with veneer edge (W)</i>		
CHD	noble cherry <input type="checkbox"/>	+\$385
WHN	natural white oak <input type="checkbox"/>	+\$0
2U	light brown walnut <input type="checkbox"/>	+\$385
40	dark brown walnut <input type="checkbox"/>	+\$385
9N	santos palisander <input type="checkbox"/>	+\$1656
A2	white ash <input type="checkbox"/>	+\$385
EN	ebony <input type="checkbox"/>	+\$385
OU	walnut <input type="checkbox"/>	+\$385
UL	natural maple <input type="checkbox"/>	+\$385

Eames® Contract Base, T-Leg Table,
Rectangular *continued*

Step 8. Edge Finish

For high-pressure laminate top with vinyl edge (L) or veneer top with vinyl edge (C)

8Q	folkstone grey (CP) <input type="checkbox"/>	+\$0
91	white (CP) <input type="checkbox"/>	+\$0
98	studio white (CP) <input type="checkbox"/>	+\$0
BK	black <input type="checkbox"/>	+\$0
CL	cool grey neutral <input type="checkbox"/>	+\$0
HF	inner tone light <input type="checkbox"/>	+\$0
LT	light tone <input type="checkbox"/>	+\$0
LU	soft white <input type="checkbox"/>	+\$0
SG	slate grey <input type="checkbox"/>	+\$0
WL	warm stone (CP) <input type="checkbox"/>	+\$0
WN	warm grey neutral <input type="checkbox"/>	+\$0

Step 9. Grommet Finish

For 2 round cutouts, over columns (C2)

91	white (CP) <input type="checkbox"/>	+\$0
BK	black <input type="checkbox"/>	+\$0
PA	polished aluminum <input type="checkbox"/>	+\$0

For single centered oval cutout (CR) or 2 round cutouts and center oval cutout (CA)

91	white (CP) <input type="checkbox"/>	+\$0
BK	black <input type="checkbox"/>	+\$0
PA	polished aluminum <input type="checkbox"/>	+\$150

Step 10. Column Finish

611	beige mist metallic (CP) <input type="checkbox"/>	+\$0
613	silver (CP) <input type="checkbox"/>	+\$0
G1	graphite (CP) <input type="checkbox"/>	+\$0
91	white (CP) <input type="checkbox"/>	+\$0
BK	black <input type="checkbox"/>	+\$0
CL	cool grey neutral <input type="checkbox"/>	+\$0
EH	metallic bronze <input type="checkbox"/>	+\$0
HF	inner tone light <input type="checkbox"/>	+\$0
LT	light tone <input type="checkbox"/>	+\$0
LU	soft white <input type="checkbox"/>	+\$0
MT	medium tone <input type="checkbox"/>	+\$0
SG	slate grey <input type="checkbox"/>	+\$0
WN	warm grey neutral <input type="checkbox"/>	+\$0

Step 11. Base Finish

611	beige mist metallic (CP) <input type="checkbox"/>	+\$0
613	silver (CP) <input type="checkbox"/>	+\$0
G1	graphite (CP) <input type="checkbox"/>	+\$0
91	white (CP) <input type="checkbox"/>	+\$0
BK	black <input type="checkbox"/>	+\$0
CL	cool grey neutral <input type="checkbox"/>	+\$0
EH	metallic bronze <input type="checkbox"/>	+\$0
HF	inner tone light <input type="checkbox"/>	+\$0
LT	light tone <input type="checkbox"/>	+\$0
LU	soft white <input type="checkbox"/>	+\$0
MT	medium tone <input type="checkbox"/>	+\$0
PA	polished aluminum <input type="checkbox"/>	+\$0
SG	slate grey <input type="checkbox"/>	+\$0
WN	warm grey neutral <input type="checkbox"/>	+\$0

Step 12. Casters/Glides

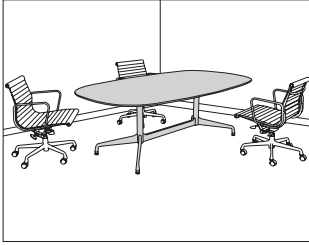
For 28½" high (1)

G	glides <input type="checkbox"/>	+\$0
----------	---------------------------------	------

For 36" high (4) or 42" high (5)

G	glides <input type="checkbox"/>	+\$0
----------	---------------------------------	------

Eames® Conference Table, Oval



ET143
ET144
ET147
ET149
ET150
ET151
ET152
ET153
ET154

ET155
ET156
ET157
ET158
ET160
ET161
ET162
ET164
ET166

ET168
ET170
ET171
ET172
ET173
ET174
ET175
ET176
ET177

ET178
ET187
ET188
ET189

Product Information

Description

This segmented base table has a laminate or veneer top with vinyl edge, a veneer top and edge, a thin-profile HPL top with black edge, a back-painted glass top with modified bullnose edge, or a solid wood top. Table may be specified with cutouts to accommodate simple power options (specified separately). Each table has adjustable glides or casters. Shipped knocked down.

Notes

60"-wide to 96"-wide tables have a 1-piece top and 2-column segmented base. 60"-deep tables have a dual run of columns.

For veneer tables, 108"-wide to 192"-wide tops are shipped in 2 equal pieces; 216"-wide and 264"-wide tops are shipped in 3 equal pieces.

For laminate tables, 108"-wide tables have a 1-piece top; 120"-wide to 216"-wide tops are shipped in 2 equal pieces; 240"-wide and 264"-wide tops are shipped in 3 equal pieces.

Laminate and veneer tops are 1 1/4" thick.

Thin profile HPL tops are 1/2" thick.

Glass tops are back-painted, with a satin etch finish to reduce the appearance of fingerprints. Tops up to 42"×78" are 1/2" thick; tops 42"×84" to 60"×120" are 3/8" thick with a Formcoat® substructure.

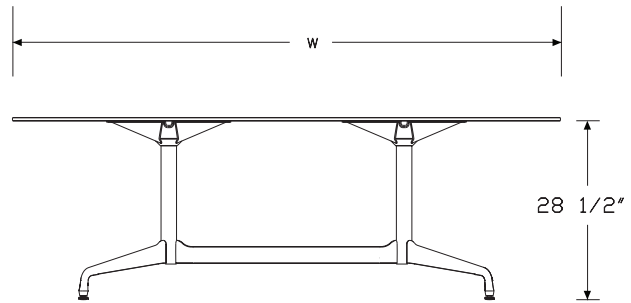
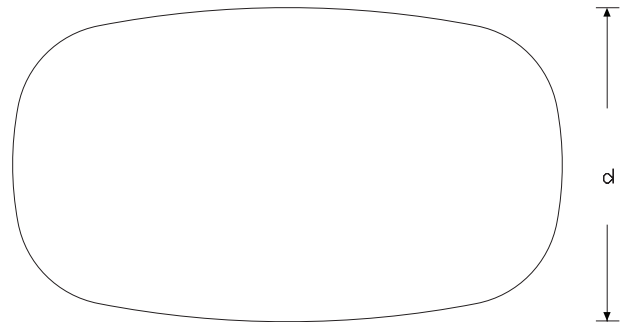
Tables may be specified with cutouts for power in various configurations. Round cutouts align with columns, and oval cutouts are centered between columns.

Order the following compatible power components separately:

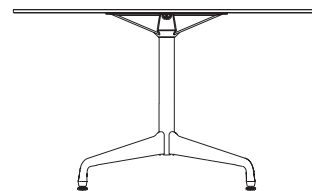
- Round power module (ET991.)
- Oval power module (ET992.)
- Pair of oval power modules (ET993.)
- Oval power module & undermount power (ET994.)
- Pair of oval power modules & undermount power (ET995.)

Santos palisander veneer is celebrated for its unique grain and color variations. Similar products ordered in multiples or dissimilar products ordered separately should be expected to have variation in both grain and color characteristics; no two products will look exactly alike.

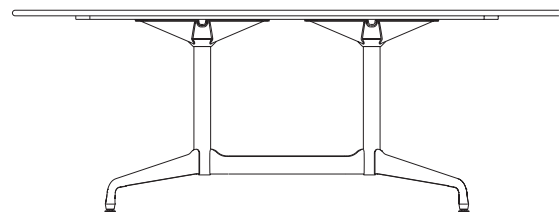
Dimensions



Segmented Base, Width View



30"-54", Depth View



60", Depth View

Eames® Conference Table, Oval

continued

Specification Information

Step 1.

ET

Step 2. Height

1 28½" high

Step 3. Depth/Width

87V	30" deep x 60" wide
88V	30" deep x 72" wide
49V	36" deep x 60" wide
43V	36" deep x 72" wide
44V	36" deep x 84" wide
89V	36" deep x 96" wide
50V	42" deep x 66" wide
51V	42" deep x 72" wide
52V	42" deep x 78" wide
53V	42" deep x 84" wide
54V	48" deep x 84" wide
47V	48" deep x 96" wide
55V	54" deep x 90" wide
56V	54" deep x 96" wide
57V	54" deep x 108" wide
58V	54" deep x 120" wide
60V	54" deep x 144" wide
61V	54" deep x 156" wide
62V	54" deep x 168" wide
64V	54" deep x 192" wide
66V	54" deep x 216" wide
68V	54" deep x 240" wide
70V	54" deep x 264" wide
71V	60" deep x 120" wide
72V	60" deep x 144" wide
73V	60" deep x 156" wide
74V	60" deep x 168" wide
75V	60" deep x 192" wide
76V	60" deep x 216" wide
77V	60" deep x 240" wide
78V	60" deep x 264" wide

Step 4. Base

S segmented base

Step 5. Surface Material

For 30" deep x 60" wide (87V), 30" deep x 72" wide (88V), 36" deep x 60" wide (49V), or 36" deep x 72" wide (43V)

- L high-pressure laminate top with vinyl edge
- C veneer top with vinyl edge
- W veneer top with veneer edge
- M thin profile HPL top with black edge
- G back-painted glass top
- SW solid wood top A

For 36" deep x 84" wide (44V), 36" deep x 96" wide (89V), 42" deep x 66" wide (50V), 42" deep x 72" wide (51V), 42" deep x 78" wide (52V), 42" deep x 84" wide (53V), 48" deep x 84" wide (54V), or 48" deep x 96" wide (47V)

- L high-pressure laminate top with vinyl edge A
- C veneer top with vinyl edge A
- W veneer top with veneer edge A
- M thin profile HPL top with black edge A
- G back-painted glass top A

For 54" deep x 90" wide (55V), 54" deep x 96" wide (56V), 54" deep x 108" wide (57V), 54" deep x 120" wide (58V), or 60" deep x 120" wide (71V)

- L high-pressure laminate top with vinyl edge
- C veneer top with vinyl edge
- W veneer top with veneer edge
- G back-painted glass top

For 54" deep x 144" wide (60V), 54" deep x 156" wide (61V), 54" deep x 168" wide (62V), 54" deep x 192" wide (64V), 54" deep x 216" wide (66V), 54" deep x 240" wide (68V), 54" deep x 264" wide (70V), 60" deep x 144" wide (72V), 60" deep x 156" wide (73V), 60" deep x 168" wide (74V), 60" deep x 192" wide (75V), 60" deep x 216" wide (76V), 60" deep x 240" wide (77V), or 60" deep x 264" wide (78V)

- L high-pressure laminate top with vinyl edge
- C veneer top with vinyl edge
- W veneer top with veneer edge

Eames® Conference Table, Oval

continued

Eames® Tables

Step 6. Grommets

For 30" deep x 60" wide (87V), 30" deep x 72" wide (88V), 36" deep x 60" wide (49V), 36" deep x 72" wide (43V), 36" deep x 84" wide (44V), 36" deep x 96" wide (89V), 42" deep x 66" wide (50V), 42" deep x 72" wide (51V), 42" deep x 78" wide (52V), 42" deep x 84" wide (53V), 48" deep x 84" wide (54V), 48" deep x 96" wide (47V), 54" deep x 90" wide (55V), 54" deep x 96" wide (56V), or 54" deep x 108" wide (57V)

NG	no grommet
C2	2 round cutouts, over columns
CR	single centered oval cutout
CA	2 round cutouts and center oval cutout

For 54" deep x 120" wide (58V), 54" deep x 144" wide (60V), 54" deep x 156" wide (61V), 54" deep x 168" wide (62V), 60" deep x 120" wide (71V), 60" deep x 144" wide (72V), 60" deep x 156" wide (73V), or 60" deep x 168" wide (74V)

NG	no grommet
C2	2 round cutouts, over columns
CM	2 oval cutouts
CB	2 round cutouts and 2 oval cutouts

For 54" deep x 192" wide (64V) or 60" deep x 192" wide (75V)

NG	no grommet
C2	2 round cutouts, over columns
CP	3 oval cutouts
CE	2 round cutouts and 3 oval cutouts

For 54" deep x 216" wide (66V), 54" deep x 240" wide (68V), 54" deep x 264" wide (70V), 60" deep x 216" wide (76V), 60" deep x 240" wide (77V), or 60" deep x 264" wide (78V)

NG	no grommet
C3	3 round cutouts, over columns
CN	4 oval cutouts
CD	3 round cutouts and 4 oval cutouts

Prices for Steps 1-6.

		NG	C2	C3	CM	CN	CP
ET187V S	L	\$2454	3130	—	—	—	—
	C	\$3008	3687	—	—	—	—
	W	\$3245	3920	—	—	—	—
	M	\$4688	5366	—	—	—	—
	G	\$9802	10951	—	—	—	—
	SW	\$6857	8202	—	—	—	—

		CR	CA	CB	CD	CE
ET187V S	L	\$2791	3467	—	—	—
	C	\$3348	4024	—	—	—
	W	\$3584	4263	—	—	—
	M	\$5026	5705	—	—	—
	G	\$11008	12170	—	—	—
	SW	\$7529	8272	—	—	—

		NG	C2	C3	CM	CN	CP
ET188V S	L	\$2630	3308	—	—	—	—
	C	\$3274	3951	—	—	—	—
	W	\$3628	4306	—	—	—	—
	M	\$4719	5395	—	—	—	—
	G	\$11053	12216	—	—	—	—
	SW	\$7394	11562	—	—	—	—

		CR	CA	CB	CD	CE
ET188V S	L	\$2968	3645	—	—	—
	C	\$3613	4291	—	—	—
	W	\$3967	4645	—	—	—
	M	\$5056	5736	—	—	—
	G	\$12259	13424	—	—	—
	SW	\$8067	8809	—	—	—

		NG	C2	C3	CM	CN	CP
ET149V S	L	\$2770	3450	—	—	—	—
	C	\$3348	4024	—	—	—	—
	W	\$3636	4313	—	—	—	—
	M	\$5690	6366	—	—	—	—
	G	\$11053	12216	—	—	—	—
	SW	\$8437	9781	—	—	—	—

		CR	CA	CB	CD	CE
ET149V S	L	\$3111	3790	—	—	—
	C	\$3687	4365	—	—	—
	W	\$3973	4650	—	—	—
	M	\$6031	6707	—	—	—
	G	\$12259	13424	—	—	—
	SW	\$9109	9852	—	—	—

		NG	C2	C3	CM	CN	CP
ET143V S	L	\$2841	3519	—	—	—	—
	C	\$3451	4127	—	—	—	—
	W	\$3791	4468	—	—	—	—
	M	\$5720	6396	—	—	—	—
	G	\$12554	13703	—	—	—	—
	SW	\$9008	10351	—	—	—	—

Eames® Conference Table, Oval

continued

		CR	CA	CB	CD	CE
ET143V S	L	\$3180	3859	—	—	—
	C	\$3791	4468	—	—	—
	W	\$4127	4808	—	—	—
	M	\$6060	6737	—	—	—
	G	\$13760	14928	—	—	—
	SW	\$9680	10422	—	—	—

		NG	C2	C3	CM	CN	CP
ET144V S	L	\$2971	3648	—	—	—	—
	C	\$3716	4395	—	—	—	—
	W	\$4145	4822	—	—	—	—
	M	\$5765	6442	—	—	—	—
	G	\$14042	15207	—	—	—	—

		CR	CA	CB	CD	CE
ET144V S	L	\$3311	3988	—	—	—
	C	\$4055	4732	—	—	—
	W	\$4481	5159	—	—	—
	M	\$6102	6779	—	—	—
	G	\$15263	16413	—	—	—

		NG	C2	C3	CM	CN	CP
ET189V S	L	\$3181	3860	—	—	—	—
	C	\$3951	4629	—	—	—	—
	W	\$4263	4938	—	—	—	—
	M	\$5793	6471	—	—	—	—
	G	\$15644	16813	—	—	—	—

		CR	CA	CB	CD	CE
ET189V S	L	\$3521	4198	—	—	—
	C	\$4291	4968	—	—	—
	W	\$4600	5277	—	—	—
	M	\$6132	6810	—	—	—
	G	\$16871	18020	—	—	—

		NG	C2	C3	CM	CN	CP
ET150V S	L	\$3318	3995	—	—	—	—
	C	\$3850	4527	—	—	—	—
	W	\$4333	5014	—	—	—	—
	M	\$5736	6412	—	—	—	—
	G	\$13143	14309	—	—	—	—

		CR	CA	CB	CD	CE
ET150V S	L	\$3656	4332	—	—	—
	C	\$4187	4863	—	—	—
	W	\$4674	5350	—	—	—
	M	\$6073	6750	—	—	—
	G	\$14367	15517	—	—	—

		NG	C2	C3	CM	CN	CP
ET151V S	L	\$3416	4094	—	—	—	—
	C	\$3902	4582	—	—	—	—
	W	\$4375	5053	—	—	—	—
	M	\$5748	6425	—	—	—	—
	G	\$14042	15207	—	—	—	—

		CR	CA	CB	CD	CE
ET151V S	L	\$3758	4432	—	—	—
	C	\$4241	4918	—	—	—
	W	\$4714	5390	—	—	—
	M	\$6088	6766	—	—	—
	G	\$15263	16413	—	—	—

		NG	C2	C3	CM	CN	CP
ET152V S	L	\$3489	4169	—	—	—	—
	C	\$4084	4760	—	—	—	—
	W	\$4525	5204	—	—	—	—
	M	\$9255	9932	—	—	—	—
	G	\$14958	16104	—	—	—	—

		CR	CA	CB	CD	CE
ET152V S	L	\$3829	4505	—	—	—
	C	\$4422	5100	—	—	—
	W	\$4862	5540	—	—	—
	M	\$9594	10271	—	—	—
	G	\$16164	17326	—	—	—

		NG	C2	C3	CM	CN	CP
ET153V S	L	\$3532	4209	—	—	—	—
	C	\$4124	4806	—	—	—	—
	W	\$4577	5256	—	—	—	—
	M	\$9255	9932	—	—	—	—
	G	\$16353	18298	—	—	—	—

Eames® Tables

Eames® Conference Table, Oval

continued

Eames® Tables

		CR	CA	CB	CD	CE
ET153V S	L	\$3869	4549	—	—	—
	C	\$4465	5142	—	—	—
	W	\$4916	5592	—	—	—
	M	\$9594	10271	—	—	—
	G	\$18092	20051	—	—	—

		NG	C2	C3	CM	CN	CP
ET154V S	L	\$3973	4650	—	—	—	—
	C	\$4585	5262	—	—	—	—
	W	\$5025	5704	—	—	—	—
	M	\$9287	9962	—	—	—	—
	G	\$18401	20362	—	—	—	—

		CR	CA	CB	CD	CE
ET154V S	L	\$4313	4990	—	—	—
	C	\$4921	5599	—	—	—
	W	\$5365	6041	—	—	—
	M	\$9622	10301	—	—	—
	G	\$20154	22098	—	—	—

		NG	C2	C3	CM	CN	CP
ET147V S	L	\$4058	4737	—	—	—	—
	C	\$4678	5355	—	—	—	—
	W	\$5195	5873	—	—	—	—
	M	\$9328	10007	—	—	—	—
	G	\$20759	22746	—	—	—	—

		CR	CA	CB	CD	CE
ET147V S	L	\$4400	5075	—	—	—
	C	\$5018	5694	—	—	—
	W	\$5532	6209	—	—	—
	M	\$9666	10345	—	—	—
	G	\$22511	24456	—	—	—

		NG	C2	C3	CM	CN	CP
ET155V S	L	\$4814	5490	—	—	—	—
	C	\$5467	6145	—	—	—	—
	W	\$6056	6734	—	—	—	—
	G	\$21773	23735	—	—	—	—

		CR	CA	CB	CD	CE
ET155V S	L	\$5153	5831	—	—	—
	C	\$5804	6484	—	—	—
	W	\$6394	7071	—	—	—
	G	\$23632	25487	—	—	—

		NG	C2	C3	CM	CN	CP
ET156V S	L	\$4876	5552	—	—	—	—
	C	\$5644	6320	—	—	—	—
	W	\$6306	6984	—	—	—	—
	G	\$23100	25060	—	—	—	—

		CR	CA	CB	CD	CE
ET156V S	L	\$5212	5890	—	—	—
	C	\$5981	6660	—	—	—
	W	\$6644	7323	—	—	—
	G	\$24854	26812	—	—	—

		NG	C2	C3	CM	CN	CP
ET157V S	L	\$6343	7019	—	—	—	—
	C	\$7065	7742	—	—	—	—
	W	\$7838	8516	—	—	—	—
	G	\$25751	27712	—	—	—	—

		CR	CA	CB	CD	CE
ET157V S	L	\$6678	7357	—	—	—
	C	\$7407	8083	—	—	—
	W	\$8180	8856	—	—	—
	G	\$27507	29463	—	—	—

		NG	C2	C3	CM	CN	CP
ET158V S	L	\$7052	7729	—	7729	—	—
	C	\$7922	8598	—	8598	—	—
	W	\$8805	9482	—	9482	—	—
	G	\$29318	31260	—	31335	—	—

		CR	CA	CB	CD	CE
ET158V S	L	—	—	\$8407	—	—
	C	—	—	\$9274	—	—
	W	—	—	\$10161	—	—
	G	—	—	\$33294	—	—

		NG	C2	C3	CM	CN	CP
ET160V S	L	\$7640	8318	—	8318	—	—
	C	\$8534	9213	—	9213	—	—
	W	\$9565	10241	—	10241	—	—

		CR	CA	CB	CD	CE
ET160V S	L	—	—	\$8994	—	—
	C	—	—	\$9889	—	—
	W	—	—	\$10922	—	—

Eames® Conference Table, Oval

continued

		NG	C2	C3	CM	CN	CP
ET161V S	L	\$8302	8980	—	8980	—	—
	C	\$9231	9909	—	9909	—	—
	W	\$10373	11050	—	11050	—	—

		CR	CA	CB	CD	CE
ET161V S	L	—	—	\$9657	—	—
	C	—	—	\$10586	—	—
	W	—	—	\$11728	—	—

		NG	C2	C3	CM	CN	CP
ET162V S	L	\$9097	9773	—	9773	—	—
	C	\$10171	10849	—	10849	—	—
	W	\$11421	12102	—	12102	—	—

		CR	CA	CB	CD	CE
ET162V S	L	—	—	\$10451	—	—
	C	—	—	\$11526	—	—
	W	—	—	\$12777	—	—

		NG	C2	C3	CM	CN	CP
ET164V S	L	\$10041	10719	—	—	—	11059
	C	\$11371	12050	—	—	—	12388
	W	\$12770	13450	—	—	—	13786

		CR	CA	CB	CD	CE
ET164V S	L	—	—	—	—	\$11737
	C	—	—	—	—	\$13068
	W	—	—	—	—	\$14463

		NG	C2	C3	CM	CN	CP
ET166V S	L	\$11061	—	12077	—	12417	—
	C	\$12437	—	13453	—	13791	—
	W	\$13984	—	14999	—	15339	—

		CR	CA	CB	CD	CE
ET166V S	L	—	—	—	\$13432	—
	C	—	—	—	\$14807	—
	W	—	—	—	\$16353	—

		NG	C2	C3	CM	CN	CP
ET168V S	L	\$12201	—	13217	—	13556	—
	C	\$13633	—	14650	—	14987	—
	W	\$15328	—	16343	—	16684	—

		CR	CA	CB	CD	CE
ET168V S	L	—	—	—	\$14572	—
	C	—	—	—	\$16006	—
	W	—	—	—	\$17699	—

		NG	C2	C3	CM	CN	CP
ET170V S	L	\$13311	—	14327	—	14665	—
	C	\$15008	—	16023	—	16363	—
	W	\$16849	—	17867	—	18203	—

		CR	CA	CB	CD	CE
ET170V S	L	—	—	—	\$15681	—
	C	—	—	—	\$17378	—
	W	—	—	—	\$19220	—

		NG	C2	C3	CM	CN	CP
ET171V S	L	\$13114	13791	—	13791	—	—
	C	\$16058	16737	—	16737	—	—
	W	\$17090	17769	—	17769	—	—
	G	\$35989	37934	—	38007	—	—

		CR	CA	CB	CD	CE
ET171V S	L	—	—	\$14470	—	—
	C	—	—	\$17415	—	—
	W	—	—	\$18446	—	—
	G	—	—	\$39968	—	—

		NG	C2	C3	CM	CN	CP
ET172V S	L	\$13702	14379	—	14379	—	—
	C	\$16945	17621	—	17621	—	—
	W	\$18123	18801	—	18801	—	—

		CR	CA	CB	CD	CE
ET172V S	L	—	—	\$15058	—	—
	C	—	—	\$18298	—	—
	W	—	—	\$19478	—	—

		NG	C2	C3	CM	CN	CP
ET173V S	L	\$14143	14824	—	14824	—	—
	C	\$17681	18357	—	18357	—	—
	W	\$18967	19647	—	19647	—	—

		CR	CA	CB	CD	CE
ET173V S	L	—	—	\$15499	—	—
	C	—	—	\$19036	—	—
	W	—	—	\$20325	—	—

Eames® Tables

Eames® Conference Table, Oval

continued

Eames® Tables

			NG	C2	C3	CM	CN	CP
ET174V S	L		\$14732	15411	—	15411	—	—
	C		\$18566	19242	—	19242	—	—
	W		\$19964	20640	—	20640	—	—

			CR	CA	CB	CD	CE
ET174V S	L		—	—	\$16088	—	—
	C		—	—	\$19919	—	—
	W		—	—	\$21318	—	—

			NG	C2	C3	CM	CN	CP
ET175V S	L		\$17385	18063	—	—	—	18401
	C		\$24750	25428	—	—	—	25768
	W		\$26297	26976	—	—	—	27312

			CR	CA	CB	CD	CE
ET175V S	L		—	—	—	—	\$19081
	C		—	—	—	—	\$26447
	W		—	—	—	—	\$27992

			NG	C2	C3	CM	CN	CP
ET176V S	L		\$21068	—	22086	—	22423	—
	C		\$30791	—	31808	—	32145	—
	W		\$32485	—	33500	—	33840	—

			CR	CA	CB	CD	CE
ET176V S	L		—	—	—	\$23440	—
	C		—	—	—	\$33163	—
	W		—	—	—	\$34856	—

			NG	C2	C3	CM	CN	CP
ET177V S	L		\$22983	—	24000	—	24338	—
	C		\$32854	—	33869	—	34208	—
	W		\$34694	—	35710	—	36049	—

			CR	CA	CB	CD	CE
ET177V S	L		—	—	—	\$25355	—
	C		—	—	—	\$35224	—
	W		—	—	—	\$37066	—

			NG	C2	C3	CM	CN	CP
ET178V S	L		\$23425	—	24441	—	24780	—
	C		\$34177	—	35195	—	35532	—
	W		\$36167	—	37182	—	37522	—

			CR	CA	CB	CD	CE
ET178V S	L		—	—	—	\$25796	—
	C		—	—	—	\$36550	—
	W		—	—	—	\$38539	—

Step 7.

Top Finish: Top Finish

For back-painted glass top (G)

611	beige mist metallic (CP)	+\$0
8Q	folkstone grey (CP)	+\$0
91	white (CP)	+\$0
BK	black	+\$0
WN	warm grey neutral	+\$0

Top Finish: Top Finish

For thin profile HPL top with black edge (M)

91	white (CP)	+\$0
G1	graphite (CP)	+\$0
BK	black	+\$0

Top Finish: Solid-Color Laminate

For high-pressure laminate top with vinyl edge (L)

8Q	folkstone grey (CP)	+\$0
91	white (CP)	+\$0
98	studio white (CP)	+\$0
BKM	black matte	+\$0
CL	cool grey neutral	+\$0
HF	inner tone light	+\$0
LT	light tone	+\$0
LU	soft white	+\$0
WL	warm stone (CP)	+\$0
WN	warm grey neutral	+\$0

Top Finish

For 30" deep x 60" wide (87V) with solid wood top (SW)

OU	walnut A	+\$575
WHN	natural white oak A	+\$0

Top Finish

For 30" deep x 72" wide (88V) with solid wood top (SW)

OU	walnut A	+\$675
WHN	natural white oak A	+\$0

Eames® Conference Table, Oval

continued

Top Finish		
<i>For 36" deep x 60" wide (49V) with solid wood top (SW)</i>		
OU	walnut A	+\$700
WHN	natural white oak A	+\$0

Top Finish		
<i>For 36" deep x 72" wide (43V) with solid wood top (SW)</i>		
OU	walnut A	+\$815
WHN	natural white oak A	+\$0

Top Finish		
<i>For 30" deep x 60" wide (87V) with veneer top with vinyl edge (C)</i>		
2U	light brown walnut	+\$250
40	dark brown walnut	+\$250
9N	santos palisander	+\$950
A2	white ash	+\$250
CHD	noble cherry	+\$250
EN	ebony	+\$250
OU	walnut	+\$250
UL	natural maple	+\$250
WHN	natural white oak	+\$0

Top Finish		
<i>For 30" deep x 72" wide (88V) with veneer top with vinyl edge (C)</i>		
2U	light brown walnut	+\$265
40	dark brown walnut	+\$265
9N	santos palisander	+\$1009
A2	white ash	+\$265
CHD	noble cherry	+\$265
EN	ebony	+\$265
OU	walnut	+\$265
UL	natural maple	+\$265
WHN	natural white oak	+\$0

Top Finish		
<i>For 36" deep x 60" wide (49V) with veneer top with vinyl edge (C)</i>		
2U	light brown walnut	+\$265
40	dark brown walnut	+\$265
9N	santos palisander	+\$1009
A2	white ash	+\$265
CHD	noble cherry	+\$265
EN	ebony	+\$265
OU	walnut	+\$265
UL	natural maple	+\$265
WHN	natural white oak	+\$0

Top Finish		
<i>For 36" deep x 72" wide (43V) with veneer top with vinyl edge (C)</i>		
2U	light brown walnut	+\$290
40	dark brown walnut	+\$290
9N	santos palisander	+\$1104
A2	white ash	+\$290
CHD	noble cherry	+\$290
EN	ebony	+\$290
OU	walnut	+\$290
UL	natural maple	+\$290
WHN	natural white oak	+\$0

Top Finish		
<i>For 36" deep x 84" wide (44V) with veneer top with vinyl edge (C)</i>		
2U	light brown walnut	+\$305
40	dark brown walnut	+\$305
9N	santos palisander	+\$1161
A2	white ash	+\$305
CHD	noble cherry	+\$305
EN	ebony	+\$305
OU	walnut	+\$305
UL	natural maple	+\$305
WHN	natural white oak	+\$0

Top Finish		
<i>For 36" deep x 96" wide (89V) with veneer top with vinyl edge (C)</i>		
2U	light brown walnut	+\$330
40	dark brown walnut	+\$330
9N	santos palisander	+\$1420
A2	white ash	+\$330
CHD	noble cherry	+\$330
EN	ebony	+\$330
OU	walnut	+\$330
UL	natural maple	+\$330
WHN	natural white oak	+\$0

Top Finish		
<i>For 42" deep x 66" wide (50V) with veneer top with vinyl edge (C)</i>		
2U	light brown walnut	+\$290
40	dark brown walnut	+\$290
9N	santos palisander	+\$1160
A2	white ash	+\$290
CHD	noble cherry	+\$290
EN	ebony	+\$290
OU	walnut	+\$290
UL	natural maple	+\$290
WHN	natural white oak	+\$0

Eames® Tables

Eames® Conference Table, Oval

continued

Eames® Tables

Top Finish		
<i>For 42" deep x 72" wide (51V) with veneer top with vinyl edge (C)</i>		
2U	light brown walnut	+\$305
40	dark brown walnut	+\$305
9N	santos palisander	+\$1220
A2	white ash	+\$305
CHD	noble cherry	+\$305
EN	ebony	+\$305
OU	walnut	+\$305
UL	natural maple	+\$305
WHN	natural white oak	+\$0

Top Finish		
<i>For 42" deep x 78" wide (52V) with veneer top with vinyl edge (C)</i>		
2U	light brown walnut	+\$330
40	dark brown walnut	+\$330
9N	santos palisander	+\$1320
A2	white ash	+\$330
CHD	noble cherry	+\$330
EN	ebony	+\$330
OU	walnut	+\$330
UL	natural maple	+\$330
WHN	natural white oak	+\$0

Top Finish		
<i>For 42" deep x 84" wide (53V) with veneer top with vinyl edge (C)</i>		
2U	light brown walnut	+\$330
40	dark brown walnut	+\$330
9N	santos palisander	+\$1320
A2	white ash	+\$330
CHD	noble cherry	+\$330
EN	ebony	+\$330
OU	walnut	+\$330
UL	natural maple	+\$330
WHN	natural white oak	+\$0

Top Finish		
<i>For 48" deep x 84" wide (54V) with veneer top with vinyl edge (C)</i>		
2U	light brown walnut	+\$385
40	dark brown walnut	+\$385
9N	santos palisander	+\$1656
A2	white ash	+\$385
CHD	noble cherry	+\$385
EN	ebony	+\$385
OU	walnut	+\$385
UL	natural maple	+\$385
WHN	natural white oak	+\$0

Top Finish		
<i>For 48" deep x 96" wide (47V) with veneer top with vinyl edge (C)</i>		
2U	light brown walnut	+\$385
40	dark brown walnut	+\$385
9N	santos palisander	+\$1656
A2	white ash	+\$385
CHD	noble cherry	+\$385
EN	ebony	+\$385
OU	walnut	+\$385
UL	natural maple	+\$385
WHN	natural white oak	+\$0

Top Finish		
<i>For 54" deep x 90" wide (55V) with veneer top with vinyl edge (C)</i>		
2U	light brown walnut	+\$425
40	dark brown walnut	+\$425
9N	santos palisander	+\$1700
A2	white ash	+\$425
CHD	noble cherry	+\$425
EN	ebony	+\$425
OU	walnut	+\$425
UL	natural maple	+\$425
WHN	natural white oak	+\$0

Top Finish		
<i>For 54" deep x 96" wide (56V) with veneer top with vinyl edge (C)</i>		
2U	light brown walnut	+\$440
40	dark brown walnut	+\$440
9N	santos palisander	+\$1760
A2	white ash	+\$440
CHD	noble cherry	+\$440
EN	ebony	+\$440
OU	walnut	+\$440
UL	natural maple	+\$440
WHN	natural white oak	+\$0

Top Finish		
<i>For 54" deep x 108" wide (57V) with veneer top with vinyl edge (C)</i>		
2U	light brown walnut	+\$500
40	dark brown walnut	+\$500
9N	santos palisander	+\$2350
A2	white ash	+\$500
CHD	noble cherry	+\$500
EN	ebony	+\$500
OU	walnut	+\$500
UL	natural maple	+\$500
WHN	natural white oak	+\$0

Eames® Conference Table, Oval

continued

Top Finish		
<i>For 54" deep x 120" wide (58V) with veneer top with vinyl edge (C)</i>		
2U	light brown walnut	+\$540
40	dark brown walnut	+\$540
9N	santos palisander	+\$2538
A2	white ash	+\$540
CHD	noble cherry	+\$540
EN	ebony	+\$540
OU	walnut	+\$540
UL	natural maple	+\$540
WHN	natural white oak	+\$0

Top Finish		
<i>For 54" deep x 144" wide (60V) with veneer top with vinyl edge (C)</i>		
2U	light brown walnut	+\$585
40	dark brown walnut	+\$585
9N	santos palisander	+\$2750
A2	white ash	+\$585
CHD	noble cherry	+\$585
EN	ebony	+\$585
OU	walnut	+\$585
UL	natural maple	+\$585
WHN	natural white oak	+\$0

Top Finish		
<i>For 54" deep x 156" wide (61V) with veneer top with vinyl edge (C)</i>		
2U	light brown walnut	+\$635
40	dark brown walnut	+\$635
9N	santos palisander	+\$3175
A2	white ash	+\$635
CHD	noble cherry	+\$635
EN	ebony	+\$635
OU	walnut	+\$635
UL	natural maple	+\$635
WHN	natural white oak	+\$0

Top Finish		
<i>For 54" deep x 168" wide (62V) with veneer top with vinyl edge (C)</i>		
2U	light brown walnut	+\$690
40	dark brown walnut	+\$690
9N	santos palisander	+\$3450
A2	white ash	+\$690
CHD	noble cherry	+\$690
EN	ebony	+\$690
OU	walnut	+\$690
UL	natural maple	+\$690
WHN	natural white oak	+\$0

Top Finish		
<i>For 54" deep x 192" wide (64V) with veneer top with vinyl edge (C)</i>		
2U	light brown walnut	+\$755
40	dark brown walnut	+\$755
9N	santos palisander	+\$3775
A2	white ash	+\$755
CHD	noble cherry	+\$755
EN	ebony	+\$755
OU	walnut	+\$755
UL	natural maple	+\$755
WHN	natural white oak	+\$0

Top Finish		
<i>For 54" deep x 216" wide (66V) with veneer top with vinyl edge (C)</i>		
2U	light brown walnut	+\$815
40	dark brown walnut	+\$815
9N	santos palisander	+\$4075
A2	white ash	+\$815
CHD	noble cherry	+\$815
EN	ebony	+\$815
OU	walnut	+\$815
UL	natural maple	+\$815
WHN	natural white oak	+\$0

Top Finish		
<i>For 54" deep x 240" wide (68V) with veneer top with vinyl edge (C)</i>		
2U	light brown walnut	+\$880
40	dark brown walnut	+\$880
9N	santos palisander	+\$4400
A2	white ash	+\$880
CHD	noble cherry	+\$880
EN	ebony	+\$880
OU	walnut	+\$880
UL	natural maple	+\$880
WHN	natural white oak	+\$0

Top Finish		
<i>For 54" deep x 264" wide (70V) with veneer top with vinyl edge (C)</i>		
2U	light brown walnut	+\$950
40	dark brown walnut	+\$950
9N	santos palisander	+\$5320
A2	white ash	+\$950
CHD	noble cherry	+\$950
EN	ebony	+\$950
OU	walnut	+\$950
UL	natural maple	+\$950
WHN	natural white oak	+\$0

Eames® Conference Table, Oval

continued

Eames® Tables

Top Finish		
<i>For 60" deep x 120" wide (71V) with veneer top with vinyl edge (C)</i>		
2U	light brown walnut	+\$680
40	dark brown walnut	+\$680
9N	santos palisander	+\$3180
A2	white ash	+\$680
CHD	noble cherry	+\$680
EN	ebony	+\$680
OU	walnut	+\$680
UL	natural maple	+\$680
WHN	natural white oak	+\$0

Top Finish		
<i>For 60" deep x 144" wide (72V) with veneer top with vinyl edge (C)</i>		
2U	light brown walnut	+\$740
40	dark brown walnut	+\$740
9N	santos palisander	+\$3440
A2	white ash	+\$740
CHD	noble cherry	+\$740
EN	ebony	+\$740
OU	walnut	+\$740
UL	natural maple	+\$740
WHN	natural white oak	+\$0

Top Finish		
<i>For 60" deep x 156" wide (73V) with veneer top with vinyl edge (C)</i>		
2U	light brown walnut	+\$800
40	dark brown walnut	+\$800
9N	santos palisander	+\$3970
A2	white ash	+\$800
CHD	noble cherry	+\$800
EN	ebony	+\$800
OU	walnut	+\$800
UL	natural maple	+\$800
WHN	natural white oak	+\$0

Top Finish		
<i>For 60" deep x 168" wide (74V) with veneer top with vinyl edge (C)</i>		
CHD	noble cherry	+\$870
WHN	natural white oak	+\$0
2U	light brown walnut	+\$870
40	dark brown walnut	+\$870
9N	santos palisander	+\$4320
A2	white ash	+\$870
EN	ebony	+\$870
OU	walnut	+\$870
UL	natural maple	+\$870

Top Finish		
<i>For 60" deep x 192" wide (75V) with veneer top with vinyl edge (C)</i>		
2U	light brown walnut	+\$950
40	dark brown walnut	+\$950
9N	santos palisander	+\$5100
A2	white ash	+\$950
CHD	noble cherry	+\$950
EN	ebony	+\$950
OU	walnut	+\$950
UL	natural maple	+\$950
WHN	natural white oak	+\$0

Top Finish		
<i>For 60" deep x 216" wide (76V) with veneer top with vinyl edge (C)</i>		
2U	light brown walnut	+\$950
40	dark brown walnut	+\$950
9N	santos palisander	+\$5100
A2	white ash	+\$950
CHD	noble cherry	+\$950
EN	ebony	+\$950
OU	walnut	+\$950
UL	natural maple	+\$950
WHN	natural white oak	+\$0

Top Finish		
<i>For 60" deep x 240" wide (77V) with veneer top with vinyl edge (C)</i>		
2U	light brown walnut	+\$1100
40	dark brown walnut	+\$1100
9N	santos palisander	+\$5500
A2	white ash	+\$1100
CHD	noble cherry	+\$1100
EN	ebony	+\$1100
OU	walnut	+\$1100
UL	natural maple	+\$1100
WHN	natural white oak	+\$0

Top Finish		
<i>For 60" deep x 264" wide (78V) with veneer top with vinyl edge (C)</i>		
2U	light brown walnut	+\$1100
40	dark brown walnut	+\$1100
9N	santos palisander	+\$5500
A2	white ash	+\$1100
CHD	noble cherry	+\$1100
EN	ebony	+\$1100
OU	walnut	+\$1100
UL	natural maple	+\$1100
WHN	natural white oak	+\$0

Eames® Conference Table, Oval

continued

Top/Edge Finish		
<i>For 30" deep x 60" wide (87V) with veneer top with veneer edge (W)</i>		
2U	light brown walnut	+\$250
40	dark brown walnut	+\$250
9N	santos palisander	+\$950
A2	white ash	+\$250
CHD	noble cherry	+\$250
EN	ebony	+\$250
OU	walnut	+\$250
UL	natural maple	+\$250
WHN	natural white oak	+\$0

Top/Edge Finish		
<i>For 30" deep x 72" wide (88V) with veneer top with veneer edge (W)</i>		
2U	light brown walnut	+\$265
40	dark brown walnut	+\$265
9N	santos palisander	+\$1009
A2	white ash	+\$265
CHD	noble cherry	+\$265
EN	ebony	+\$265
OU	walnut	+\$265
UL	natural maple	+\$265
WHN	natural white oak	+\$0

Top/Edge Finish		
<i>For 36" deep x 60" wide (49V) with veneer top with veneer edge (W)</i>		
2U	light brown walnut	+\$265
40	dark brown walnut	+\$265
9N	santos palisander	+\$1009
A2	white ash	+\$265
CHD	noble cherry	+\$265
EN	ebony	+\$265
OU	walnut	+\$265
UL	natural maple	+\$265
WHN	natural white oak	+\$0

Top/Edge Finish		
<i>For 36" deep x 72" wide (43V) with veneer top with veneer edge (W)</i>		
2U	light brown walnut	+\$290
40	dark brown walnut	+\$290
9N	santos palisander	+\$1104
A2	white ash	+\$290
CHD	noble cherry	+\$290
EN	ebony	+\$290
OU	walnut	+\$290
UL	natural maple	+\$290
WHN	natural white oak	+\$0

Top/Edge Finish		
<i>For 36" deep x 84" wide (44V) with veneer top with veneer edge (W)</i>		
2U	light brown walnut	+\$305
40	dark brown walnut	+\$305
9N	santos palisander	+\$1161
A2	white ash	+\$305
CHD	noble cherry	+\$305
EN	ebony	+\$305
OU	walnut	+\$305
UL	natural maple	+\$305
WHN	natural white oak	+\$0

Top/Edge Finish		
<i>For 36" deep x 96" wide (89V) with veneer top with veneer edge (W)</i>		
2U	light brown walnut	+\$330
40	dark brown walnut	+\$330
9N	santos palisander	+\$1420
A2	white ash	+\$330
CHD	noble cherry	+\$330
EN	ebony	+\$330
OU	walnut	+\$330
UL	natural maple	+\$330
WHN	natural white oak	+\$0

Top/Edge Finish		
<i>For 42" deep x 66" wide (50V) with veneer top with veneer edge (W)</i>		
2U	light brown walnut	+\$290
40	dark brown walnut	+\$290
9N	santos palisander	+\$1160
A2	white ash	+\$290
CHD	noble cherry	+\$290
EN	ebony	+\$290
OU	walnut	+\$290
UL	natural maple	+\$290
WHN	natural white oak	+\$0

Top/Edge Finish		
<i>For 42" deep x 72" wide (51V) with veneer top with veneer edge (W)</i>		
2U	light brown walnut	+\$305
40	dark brown walnut	+\$305
9N	santos palisander	+\$1220
A2	white ash	+\$305
CHD	noble cherry	+\$305
EN	ebony	+\$305
OU	walnut	+\$305
UL	natural maple	+\$305
WHN	natural white oak	+\$0

Eames® Conference Table, Oval

continued

Eames® Tables

Top/Edge Finish		
<i>For 42" deep x 78" wide (52V) with veneer top with veneer edge (W)</i>		
2U	light brown walnut	+\$330
40	dark brown walnut	+\$330
9N	santos palisander	+\$1320
A2	white ash	+\$330
CHD	noble cherry	+\$330
EN	ebony	+\$330
OU	walnut	+\$330
UL	natural maple	+\$330
WHN	natural white oak	+\$0

Top/Edge Finish		
<i>For 42" deep x 84" wide (53V) with veneer top with veneer edge (W)</i>		
2U	light brown walnut	+\$330
40	dark brown walnut	+\$330
9N	santos palisander	+\$1320
A2	white ash	+\$330
CHD	noble cherry	+\$330
EN	ebony	+\$330
OU	walnut	+\$330
UL	natural maple	+\$330
WHN	natural white oak	+\$0

Top/Edge Finish		
<i>For 48" deep x 84" wide (54V) with veneer top with veneer edge (W)</i>		
2U	light brown walnut	+\$385
40	dark brown walnut	+\$385
9N	santos palisander	+\$1656
A2	white ash	+\$385
CHD	noble cherry	+\$385
EN	ebony	+\$385
OU	walnut	+\$385
UL	natural maple	+\$385
WHN	natural white oak	+\$0

Top/Edge Finish		
<i>For 48" deep x 96" wide (47V) with veneer top with veneer edge (W)</i>		
2U	light brown walnut	+\$385
40	dark brown walnut	+\$385
9N	santos palisander	+\$1656
A2	white ash	+\$385
CHD	noble cherry	+\$385
EN	ebony	+\$385
OU	walnut	+\$385
UL	natural maple	+\$385
WHN	natural white oak	+\$0

Top/Edge Finish		
<i>For 54" deep x 90" wide (55V) with veneer top with veneer edge (W)</i>		
2U	light brown walnut	+\$425
40	dark brown walnut	+\$425
9N	santos palisander	+\$1700
A2	white ash	+\$425
CHD	noble cherry	+\$425
EN	ebony	+\$425
OU	walnut	+\$425
UL	natural maple	+\$425
WHN	natural white oak	+\$0

Top/Edge Finish		
<i>For 54" deep x 96" wide (56V) with veneer top with veneer edge (W)</i>		
2U	light brown walnut	+\$440
40	dark brown walnut	+\$440
9N	santos palisander	+\$1760
A2	white ash	+\$440
CHD	noble cherry	+\$440
EN	ebony	+\$440
OU	walnut	+\$440
UL	natural maple	+\$440
WHN	natural white oak	+\$0

Top/Edge Finish		
<i>For 54" deep x 108" wide (57V) with veneer top with veneer edge (W)</i>		
2U	light brown walnut	+\$500
40	dark brown walnut	+\$500
9N	santos palisander	+\$2350
A2	white ash	+\$500
CHD	noble cherry	+\$500
EN	ebony	+\$500
OU	walnut	+\$500
UL	natural maple	+\$500
WHN	natural white oak	+\$0

Top/Edge Finish		
<i>For 54" deep x 120" wide (58V) with veneer top with veneer edge (W)</i>		
2U	light brown walnut	+\$540
40	dark brown walnut	+\$540
9N	santos palisander	+\$2538
A2	white ash	+\$540
CHD	noble cherry	+\$540
EN	ebony	+\$540
OU	walnut	+\$540
UL	natural maple	+\$540
WHN	natural white oak	+\$0

Eames® Conference Table, Oval

continued

Top/Edge Finish		
<i>For 54" deep x 144" wide (60V) with veneer top with veneer edge (W)</i>		
2U	light brown walnut	+\$585
40	dark brown walnut	+\$585
9N	santos palisander	+\$2750
A2	white ash	+\$585
CHD	noble cherry	+\$585
EN	ebony	+\$585
OU	walnut	+\$585
UL	natural maple	+\$585
WHN	natural white oak	+\$0

Top/Edge Finish		
<i>For 54" deep x 156" wide (61V) with veneer top with veneer edge (W)</i>		
2U	light brown walnut	+\$635
40	dark brown walnut	+\$635
9N	santos palisander	+\$3175
A2	white ash	+\$635
CHD	noble cherry	+\$635
EN	ebony	+\$635
OU	walnut	+\$635
UL	natural maple	+\$635
WHN	natural white oak	+\$0

Top/Edge Finish		
<i>For 54" deep x 168" wide (62V) with veneer top with veneer edge (W)</i>		
2U	light brown walnut	+\$690
40	dark brown walnut	+\$690
9N	santos palisander	+\$3450
A2	white ash	+\$690
CHD	noble cherry	+\$690
EN	ebony	+\$690
OU	walnut	+\$690
UL	natural maple	+\$690
WHN	natural white oak	+\$0

Top/Edge Finish		
<i>For 54" deep x 192" wide (64V) with veneer top with veneer edge (W)</i>		
2U	light brown walnut	+\$755
40	dark brown walnut	+\$755
9N	santos palisander	+\$3775
A2	white ash	+\$755
CHD	noble cherry	+\$755
EN	ebony	+\$755
OU	walnut	+\$755
UL	natural maple	+\$755
WHN	natural white oak	+\$0

Top/Edge Finish		
<i>For 54" deep x 216" wide (66V) with veneer top with veneer edge (W)</i>		
2U	light brown walnut	+\$815
40	dark brown walnut	+\$815
9N	santos palisander	+\$4075
A2	white ash	+\$815
CHD	noble cherry	+\$815
EN	ebony	+\$815
OU	walnut	+\$815
UL	natural maple	+\$815
WHN	natural white oak	+\$0

Top/Edge Finish		
<i>For 54" deep x 240" wide (68V) with veneer top with veneer edge (W)</i>		
2U	light brown walnut	+\$880
40	dark brown walnut	+\$880
9N	santos palisander	+\$4400
A2	white ash	+\$880
CHD	noble cherry	+\$880
EN	ebony	+\$880
OU	walnut	+\$880
UL	natural maple	+\$880
WHN	natural white oak	+\$0

Top/Edge Finish		
<i>For 54" deep x 264" wide (70V) with veneer top with veneer edge (W)</i>		
2U	light brown walnut	+\$950
40	dark brown walnut	+\$950
9N	santos palisander	+\$5320
A2	white ash	+\$950
CHD	noble cherry	+\$950
EN	ebony	+\$950
OU	walnut	+\$950
UL	natural maple	+\$950
WHN	natural white oak	+\$0

Top/Edge Finish		
<i>For 60" deep x 120" wide (71V) with veneer top with veneer edge (W)</i>		
2U	light brown walnut	+\$680
40	dark brown walnut	+\$680
9N	santos palisander	+\$3180
A2	white ash	+\$680
CHD	noble cherry	+\$680
EN	ebony	+\$680
OU	walnut	+\$680
UL	natural maple	+\$680
WHN	natural white oak	+\$0

Eames® Conference Table, Oval

continued

Eames® Tables

Top/Edge Finish		
<i>For 60" deep x 144" wide (72V) with veneer top with veneer edge (W)</i>		
2U	light brown walnut	+\$740
40	dark brown walnut	+\$740
9N	santos palisander	+\$3440
A2	white ash	+\$740
CHD	noble cherry	+\$740
EN	ebony	+\$740
OU	walnut	+\$740
UL	natural maple	+\$740
WHN	natural white oak	+\$0

Top/Edge Finish		
<i>For 60" deep x 156" wide (73V) with veneer top with veneer edge (W)</i>		
2U	light brown walnut	+\$800
40	dark brown walnut	+\$800
9N	santos palisander	+\$3970
A2	white ash	+\$800
CHD	noble cherry	+\$800
EN	ebony	+\$800
OU	walnut	+\$800
UL	natural maple	+\$800
WHN	natural white oak	+\$0

Top/Edge Finish		
<i>For 60" deep x 168" wide (74V) with veneer top with veneer edge (W)</i>		
2U	light brown walnut	+\$870
40	dark brown walnut	+\$870
9N	santos palisander	+\$4320
A2	white ash	+\$870
CHD	noble cherry	+\$870
EN	ebony	+\$870
OU	walnut	+\$870
UL	natural maple	+\$870
WHN	natural white oak	+\$0

Top/Edge Finish		
<i>For 60" deep x 192" wide (75V) with veneer top with veneer edge (W)</i>		
2U	light brown walnut	+\$950
40	dark brown walnut	+\$950
9N	santos palisander	+\$5100
A2	white ash	+\$950
CHD	noble cherry	+\$950
EN	ebony	+\$950
OU	walnut	+\$950
UL	natural maple	+\$950
WHN	natural white oak	+\$0

Step 8. Edge Finish		
<i>For high-pressure laminate top with vinyl edge (L) or veneer top with vinyl edge (C)</i>		
8Q	folkstone grey (CP)	+\$0
91	white (CP)	+\$0
98	studio white (CP)	+\$0
BK	black	+\$0
CL	cool grey neutral	+\$0
HF	inner tone light	+\$0
LT	light tone	+\$0
LU	soft white	+\$0
SG	slate grey	+\$0
WL	warm stone (CP)	+\$0
WN	warm grey neutral	+\$0

Step 9. Grommet Finish		
<i>For 2 round cutouts, over columns (C2) or 3 round cutouts, over columns (C3)</i>		
91	white (CP)	+\$0
BK	black	+\$0
PA	polished aluminum	+\$0

<i>For single centered oval cutout (CR) or 2 round cutouts and center oval cutout (CA)</i>		
91	white (CP)	+\$0
BK	black	+\$0
PA	polished aluminum	+\$150

<i>For 2 oval cutouts (CM) or 2 round cutouts and 2 oval cutouts (CB)</i>		
91	white (CP)	+\$0
BK	black	+\$0
PA	polished aluminum	+\$300

<i>For 3 oval cutouts (CP) or 2 round cutouts and 3 oval cutouts (CE)</i>		
91	white (CP)	+\$0
BK	black	+\$0
PA	polished aluminum	+\$450

<i>For 4 oval cutouts (CN) or 3 round cutouts and 4 oval cutouts (CD)</i>		
91	white (CP)	+\$0
BK	black	+\$0
PA	polished aluminum	+\$0
PA	polished aluminum	+\$600

Eames® Conference Table, Oval

continued

Step 10. Column Finish

613	silver (CP)	+\$0
G1	graphite (CP)	+\$0
91	white (CP)	+\$0
BK	black	+\$0
CL	cool grey neutral	+\$0
EH	metallic bronze	+\$0
HF	inner tone light	+\$0
LT	light tone	+\$0
LU	soft white	+\$0
MT	medium tone	+\$0
SG	slate grey	+\$0
WN	warm grey neutral	+\$0

Step 11. Base Finish

611	beige mist metallic (CP)	+\$0
613	silver (CP)	+\$0
G1	graphite (CP)	+\$0
91	white (CP)	+\$0
BK	black	+\$0
CL	cool grey neutral	+\$0
EH	metallic bronze	+\$0
HF	inner tone light	+\$0
LT	light tone	+\$0
LU	soft white	+\$0
MT	medium tone	+\$0
PA	polished aluminum	+\$0
SG	slate grey	+\$0
WN	warm grey neutral	+\$0

Step 12. Casters/Glides

For 30" deep x 60" wide (87V), 30" deep x 72" wide (88V), 36" deep x 60" wide (49V), 36" deep x 72" wide (43V), 36" deep x 84" wide (44V), 36" deep x 96" wide (89V), 42" deep x 66" wide (50V), 42" deep x 72" wide (51V), 42" deep x 78" wide (52V), 42" deep x 84" wide (53V), 48" deep x 84" wide (54V), or 48" deep x 96" wide (47V) with high-pressure laminate top with vinyl edge (L), or veneer top with vinyl edge (C), or veneer top with veneer edge (W), or thin profile HPL top with black edge (M), or solid wood top (SW)

G	glides	+\$0
C	casters	+\$80

For 54" deep x 108" wide (57V), 54" deep x 120" wide (58V), 54" deep x 144" wide (60V), 54" deep x 156" wide (61V), 54" deep x 168" wide (62V), 54" deep x 192" wide (64V), 54" deep x 216" wide (66V), 54" deep x 240" wide (68V), 54" deep x 264" wide (70V), 60" deep x 120" wide (71V), 60" deep x 144" wide (72V), 60" deep x 156" wide (73V), 60" deep x 168" wide (74V), 60" deep x 192" wide (75V), 60" deep x 216" wide (76V), 60" deep x 240" wide (77V), or 60" deep x 264" wide (78V) with high-pressure laminate top with vinyl edge (L), or veneer top with vinyl edge (C), or veneer top with veneer edge (W)

G	glides	+\$0
----------	--------	------

For 30" deep x 60" wide (87V), 30" deep x 72" wide (88V), 36" deep x 60" wide (49V), 36" deep x 72" wide (43V), 36" deep x 84" wide (44V), 36" deep x 96" wide (89V), 42" deep x 66" wide (50V), 42" deep x 72" wide (51V), 42" deep x 78" wide (52V), 42" deep x 84" wide (53V), 48" deep x 84" wide (54V), 48" deep x 96" wide (47V), 54" deep x 90" wide (55V), 54" deep x 96" wide (56V), 54" deep x 108" wide (57V), 54" deep x 120" wide (58V), or 60" deep x 120" wide (71V) with back-painted glass top (G)

G	glides	+\$0
----------	--------	------

For 54" deep x 90" wide (55V) or 54" deep x 96" wide (56V) with high-pressure laminate top with vinyl edge (L), or veneer top with vinyl edge (C), or veneer top with veneer edge (W)

G	glides	+\$0
----------	--------	------

Eames® Conference Table, Round,
Stone

ET107
ET108
ET109
ET110



Eames® Tables

Product Information

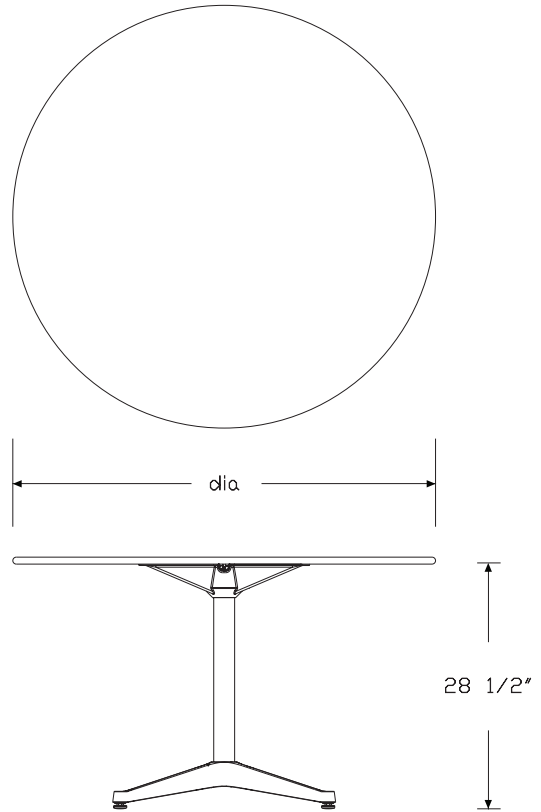
Description

This table has a stone top and comes with adjustable glides. Ships knocked down with assembly required. Top and base components ship in separate packages.

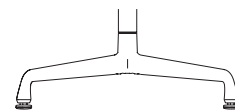
Notes

Stone top is 3/4" thick and has a full bullnose edge profile.
Marble tops have a honed finish; quartz tops have a polished finish.
Natural characteristics in stone cause variations in hues, veins, crystals, and distinctive marks. These variations and subtle changes seen as the stone ages are values associated with natural materials. No two tabletops are identically the same; variations in both color and veining are to be expected. Over time the stone may fade in color, staining of the surface may appear, and surface cracks, if not already visible at time of purchase, may appear. Small cracks do not affect the structure of the tabletop.

Dimensions



Contract Base



Universal Base

Eames® Conference Table, Round,
Stone *continued*

Specification Information

Step 1.

ET A

Step 2. Height

1 28½" high A

Step 3. Diameter

07 30" diameter A

08 36" diameter A

09 42" diameter A

10 48" diameter A

Step 4. Base

For 30" diameter (07) or 36" diameter (08)

U universal base A

C contract base A

For 42" diameter (09) or 48" diameter (10)

C contract base A

Step 5. Surface Material

S stone top A

Prices for Steps 1-5.

	S
ET107 U	\$5962
C	\$5962
ET108 U	\$7191
C	\$7191
ET109 C	\$10466
ET110 C	\$10840

Step 6. Top Finish

For 30" diameter (07) with stone top (S)

5U georgia grey marble <input type="checkbox"/> A	+\$436
CRR Carrara marble <input type="checkbox"/> A	+\$436
QBL black quartz <input type="checkbox"/> A	+\$270
QCN concrete quartz <input type="checkbox"/> A	-\$250
QPL pearl quartz <input type="checkbox"/> A	-\$250

For 36" diameter (08) with stone top (S)

5U georgia grey marble <input type="checkbox"/> A	+\$526
CRR Carrara marble <input type="checkbox"/> A	+\$0
QBL black quartz <input type="checkbox"/> A	-\$300
QCN concrete quartz <input type="checkbox"/> A	-\$900
QPL pearl quartz <input type="checkbox"/> A	-\$900

For 42" diameter (09) with stone top (S)

5U georgia grey marble <input type="checkbox"/> A	+\$610
CRR Carrara marble <input type="checkbox"/> A	-\$1000
QBL black quartz <input type="checkbox"/> A	-\$1200
QCN concrete quartz <input type="checkbox"/> A	-\$1800
QPL pearl quartz <input type="checkbox"/> A	-\$1800

For 48" diameter (10) with stone top (S)

5U georgia grey marble <input type="checkbox"/> A	+\$711
CRR Carrara marble <input type="checkbox"/> A	-\$1000
QBL black quartz <input type="checkbox"/> A	-\$1200
QCN concrete quartz <input type="checkbox"/> A	-\$1800
QPL pearl quartz <input type="checkbox"/> A	-\$1800

Step 7. Column Finish

611 beige mist metallic (CP) <input type="checkbox"/> A	+\$0
613 silver (CP) <input type="checkbox"/> A	+\$0
G1 graphite (CP) <input type="checkbox"/> A	+\$0
91 white (CP) <input type="checkbox"/> A	+\$0
BK black <input type="checkbox"/> A	+\$0
CL cool grey neutral <input type="checkbox"/> A	+\$0
HF inner tone light <input type="checkbox"/> A	+\$0
LT light tone <input type="checkbox"/> A	+\$0
LU soft white <input type="checkbox"/> A	+\$0
MT medium tone <input type="checkbox"/> A	+\$0
SG slate grey <input type="checkbox"/> A	+\$0
WN warm grey neutral <input type="checkbox"/> A	+\$0
EH metallic bronze <input type="checkbox"/> A	+\$0

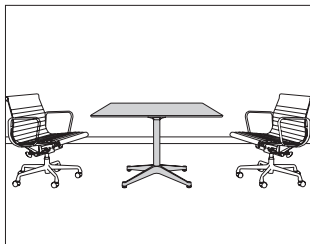
Eames® Conference Table, Round,
Stone *continued*

Eames® Tables

Step 8. Base Finish		
611	beige mist metallic (CP) <input type="checkbox"/>	+\$0
613	silver (CP) <input type="checkbox"/>	+\$0
G1	graphite (CP) <input type="checkbox"/>	+\$0
91	white (CP) <input type="checkbox"/>	+\$0
BK	black <input type="checkbox"/>	+\$0
CL	cool grey neutral <input type="checkbox"/>	+\$0
HF	inner tone light <input type="checkbox"/>	+\$0
LT	light tone <input type="checkbox"/>	+\$0
LU	soft white <input type="checkbox"/>	+\$0
MT	medium tone <input type="checkbox"/>	+\$0
PA	polished aluminum <input type="checkbox"/>	+\$0
SG	slate grey <input type="checkbox"/>	+\$0
WN	warm grey neutral <input type="checkbox"/>	+\$0
EH	metallic bronze <input type="checkbox"/>	+\$0

Eames® Conference Table, Square,
Stone

ET104
ET106



Product Information

Description

This table has a stone top and comes with adjustable glides. Ships knocked down with assembly required. Top and base components ship in separate packages.

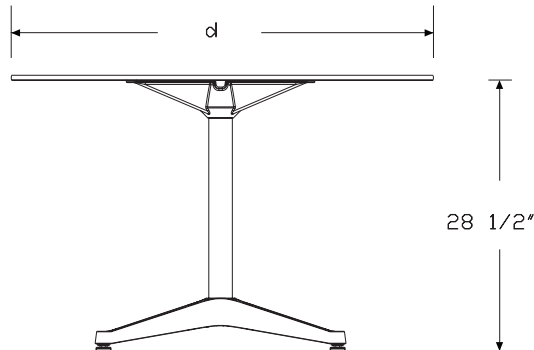
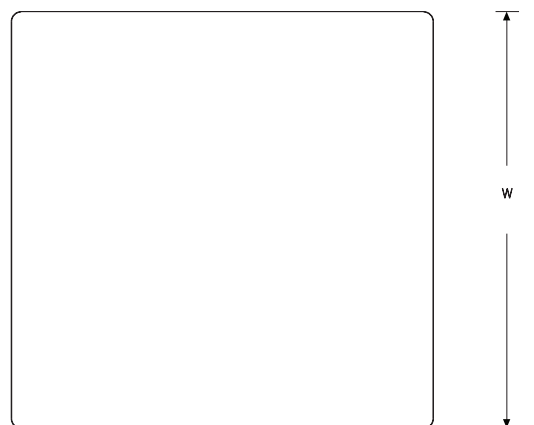
Notes

Stone top is 3/4" thick and has a full bullnose edge profile.

Marble tops have a honed finish; quartz tops have a polished finish.

Natural characteristics in stone cause variations in hues, veins, crystals, and distinctive marks. These variations and subtle changes seen as the stone ages are values associated with natural materials. No two tabletops are identically the same; variations in both color and veining are to be expected. Over time the stone may fade in color, staining of the surface may appear, and surface cracks, if not already visible at time of purchase, may appear. Small cracks do not affect the structure of the tabletop.

Dimensions



Contract Base



Universal Base

Eames® Conference Table, Square,
Stone *continued*

Eames® Tables

Specification Information

Step 1.

ET A

Step 2. Height

1 28½" high A

Step 3. Depth/Width

04 30" deep x 30" wide A

06 42" deep x 42" wide A

Step 4. Base

For 30" deep x 30" wide (04)

U universal base A

C contract base A

For 42" deep x 42" wide (06)

C contract base A

Step 5. Surface Material

S stone top A

Prices for Steps 1-5.

	S
ET104 U	\$5962
C	\$5962
ET106 C	\$10161

Step 6. Top Finish

For 30" deep x 30" wide (04) with stone top (S)

5U georgia grey marble <input type="checkbox"/> A	+\$436
CRR Carrara marble <input type="checkbox"/> A	+\$436
QBL black quartz <input type="checkbox"/> A	+\$270
QCN concrete quartz <input type="checkbox"/> A	-\$250
QPL pearl quartz <input type="checkbox"/> A	-\$250

For 42" deep x 42" wide (06) with stone top (S)

5U georgia grey marble <input type="checkbox"/> A	+\$610
CRR Carrara marble <input type="checkbox"/> A	-\$1000
QBL black quartz <input type="checkbox"/> A	-\$1200
QCN concrete quartz <input type="checkbox"/> A	-\$1800
QPL pearl quartz <input type="checkbox"/> A	-\$1800

Step 7. Column Finish

611 beige mist metallic (CP) <input type="checkbox"/> A	+\$0
613 silver (CP) <input type="checkbox"/> A	+\$0
G1 graphite (CP) <input type="checkbox"/> A	+\$0
91 white (CP) <input type="checkbox"/> A	+\$0
BK black <input type="checkbox"/> A	+\$0
CL cool grey neutral <input type="checkbox"/> A	+\$0
HF inner tone light <input type="checkbox"/> A	+\$0
LT light tone <input type="checkbox"/> A	+\$0
LU soft white <input type="checkbox"/> A	+\$0
MT medium tone <input type="checkbox"/> A	+\$0
SG slate grey <input type="checkbox"/> A	+\$0
WN warm grey neutral <input type="checkbox"/> A	+\$0
EH metallic bronze <input type="checkbox"/> A	+\$0

Step 8. Base Finish

611 beige mist metallic (CP) <input type="checkbox"/> A	+\$0
613 silver (CP) <input type="checkbox"/> A	+\$0
G1 graphite (CP) <input type="checkbox"/> A	+\$0
91 white (CP) <input type="checkbox"/> A	+\$0
BK black <input type="checkbox"/> A	+\$0
CL cool grey neutral <input type="checkbox"/> A	+\$0
HF inner tone light <input type="checkbox"/> A	+\$0
LT light tone <input type="checkbox"/> A	+\$0
LU soft white <input type="checkbox"/> A	+\$0
MT medium tone <input type="checkbox"/> A	+\$0
PA polished aluminum <input type="checkbox"/> A	+\$0
SG slate grey <input type="checkbox"/> A	+\$0
WN warm grey neutral <input type="checkbox"/> A	+\$0
EH metallic bronze <input type="checkbox"/> A	+\$0

Eames® Conference Table,
Rectangular, Stone

ET143
ET150
ET152
ET187



Product Information

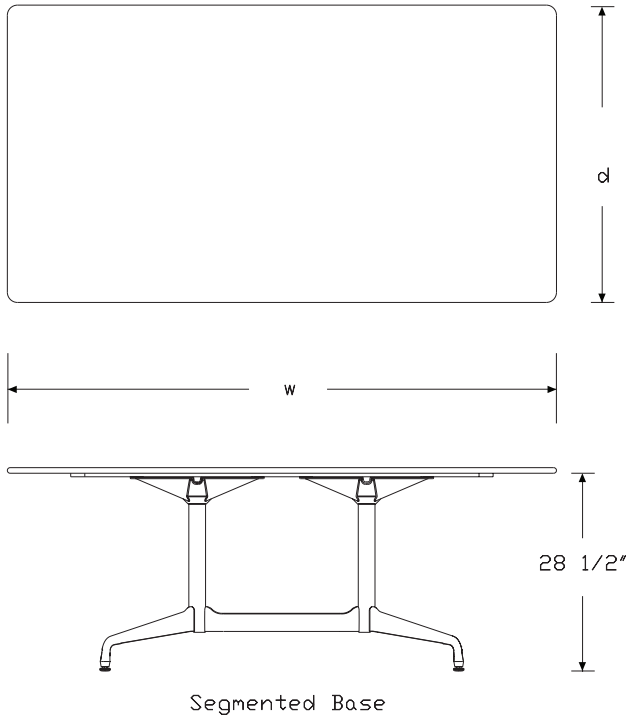
Description

This table has a stone top and comes with adjustable glides. Ships knocked down with assembly required. Top and base components ship in separate packages.

Notes

Stone top is 3/4" thick and has a full bullnose edge profile.
Marble tops have a honed finish; quartz tops have a polished finish.
Natural characteristics in stone cause variations in hues, veins, crystals, and distinctive marks. These variations and subtle changes seen as the stone ages are values associated with natural materials. No two tabletops are identically the same; variations in both color and veining are to be expected. Over time the stone may fade in color, staining of the surface may appear, and surface cracks, if not already visible at time of purchase, may appear. Small cracks do not affect the structure of the tabletop.

Dimensions



Specification Information

Step 1.

ET A

Step 2. Height

1 28 1/2" high A

Step 3. Depth/Width

87R 30" deep x 60" wide A

43R 36" deep x 72" wide A

50R 42" deep x 66" wide A

52R 42" deep x 78" wide A

Step 4. Base

S segmented base A

Step 5. Surface Material

S stone top A

Prices for Steps 1-5.

	S
ET187R S	\$13606
ET143R S	\$15217
ET150R S	\$14815
ET152R S	\$16075

Step 6. Top Finish

For 30" deep x 60" wide (87R) with stone top (S)

5U georgia grey marble <input type="checkbox"/> A	+\$1026
CRR Carrara marble <input type="checkbox"/> A	-\$500
QBL black quartz <input type="checkbox"/> A	-\$1400
QCN concrete quartz <input type="checkbox"/> A	-\$2200
QPL pearl quartz <input type="checkbox"/> A	-\$2200

For 36" deep x 72" wide (43R) with stone top (S)

5U georgia grey marble <input type="checkbox"/> A	+\$1148
CRR Carrara marble <input type="checkbox"/> A	-\$500
QBL black quartz <input type="checkbox"/> A	-\$1200
QCN concrete quartz <input type="checkbox"/> A	-\$3000
QPL pearl quartz <input type="checkbox"/> A	-\$3000

Eames® Conference Table,
 Rectangular, Stone *continued*

Eames® Tables

For 42" deep x 66" wide (50R) with stone top (S)

5U	georgia grey marble <input type="checkbox"/>	+\$0
CRR	Carrara marble <input type="checkbox"/>	-\$500
QBL	black quartz <input type="checkbox"/>	-\$1400
QCN	concrete quartz <input type="checkbox"/>	-\$3000
QPL	pearl quartz <input type="checkbox"/>	-\$3000

For 42" deep x 78" wide (52R) with stone top (S)

5U	georgia grey marble <input type="checkbox"/>	+\$0
CRR	Carrara marble <input type="checkbox"/>	-\$800
QBL	black quartz <input type="checkbox"/>	-\$1200
QCN	concrete quartz <input type="checkbox"/>	-\$3000
QPL	pearl quartz <input type="checkbox"/>	-\$3000

Step 7. Column Finish

611	beige mist metallic (CP) <input type="checkbox"/>	+\$0
613	silver (CP) <input type="checkbox"/>	+\$0
G1	graphite (CP) <input type="checkbox"/>	+\$0
91	white (CP) <input type="checkbox"/>	+\$0
BK	black <input type="checkbox"/>	+\$0
CL	cool grey neutral <input type="checkbox"/>	+\$0
HF	inner tone light <input type="checkbox"/>	+\$0
LT	light tone <input type="checkbox"/>	+\$0
LU	soft white <input type="checkbox"/>	+\$0
MT	medium tone <input type="checkbox"/>	+\$0
SG	slate grey <input type="checkbox"/>	+\$0
WN	warm grey neutral <input type="checkbox"/>	+\$0
EH	metallic bronze <input type="checkbox"/>	+\$0

Step 8. Base Finish

611	beige mist metallic (CP) <input type="checkbox"/>	+\$0
613	silver (CP) <input type="checkbox"/>	+\$0
G1	graphite (CP) <input type="checkbox"/>	+\$0
91	white (CP) <input type="checkbox"/>	+\$0
BK	black <input type="checkbox"/>	+\$0
CL	cool grey neutral <input type="checkbox"/>	+\$0
HF	inner tone light <input type="checkbox"/>	+\$0
LT	light tone <input type="checkbox"/>	+\$0
LU	soft white <input type="checkbox"/>	+\$0
MT	medium tone <input type="checkbox"/>	+\$0
PA	polished aluminum <input type="checkbox"/>	+\$0
SG	slate grey <input type="checkbox"/>	+\$0
WN	warm grey neutral <input type="checkbox"/>	+\$0
EH	metallic bronze <input type="checkbox"/>	+\$0

Eames® Conference Table, Oval,
Stone

ET143
ET150
ET152
ET187



Product Information

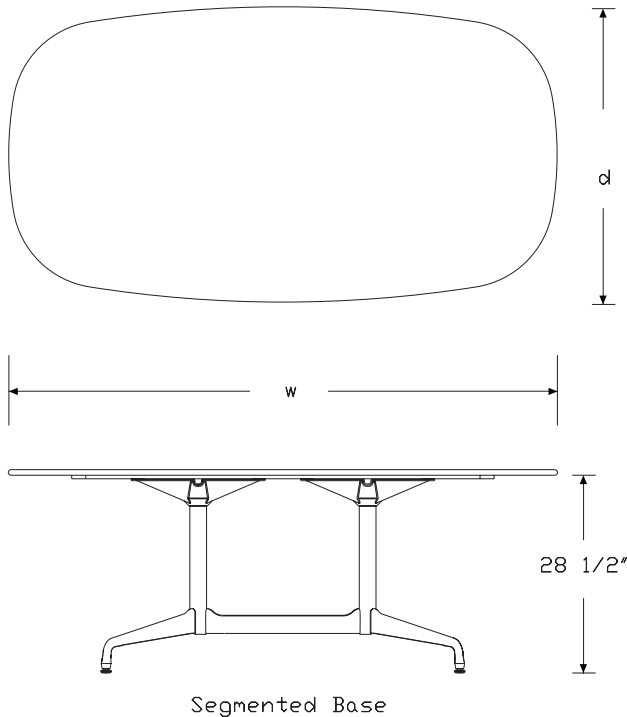
Description

This table has a stone top and comes with adjustable glides. Ships knocked down with assembly required. Top and base components ship in separate packages.

Notes

Stone top is 3/4" thick and has a full bullnose edge profile.
Marble tops have a honed finish; quartz tops have a polished finish.
Natural characteristics in stone cause variations in hues, veins, crystals, and distinctive marks. These variations and subtle changes seen as the stone ages are values associated with natural materials. No two tabletops are identically the same; variations in both color and veining are to be expected. Over time the stone may fade in color, staining of the surface may appear, and surface cracks, if not already visible at time of purchase, may appear. Small cracks do not affect the structure of the tabletop.

Dimensions



Specification Information

Step 1.

ET A

Step 2. Height

1 28 1/2" high A

Step 3. Depth/Width

87V 30" deep x 60" wide A

43V 36" deep x 72" wide A

50V 42" deep x 66" wide A

52V 42" deep x 78" wide A

Step 4. Base

S segmented base A

Step 5. Surface Material

S stone top A

Prices for Steps 1-5.

	S
ET187V S	\$14015
ET143V S	\$15674
ET150V S	\$14815
ET152V S	\$16075

Step 6. Top Finish

For 30" deep x 60" wide (87V) with stone top (S)

5U georgia grey marble <input type="checkbox"/> A	+\$700
CRR Carrara marble <input type="checkbox"/> A	+\$450
QBL black quartz <input type="checkbox"/> A	-\$400
QCN concrete quartz <input type="checkbox"/> A	-\$1200
QPL pearl quartz <input type="checkbox"/> A	-\$1200

For 36" deep x 72" wide (43V) with stone top (S)

5U georgia grey marble <input type="checkbox"/> A	+\$0
CRR Carrara marble <input type="checkbox"/> A	-\$300
QBL black quartz <input type="checkbox"/> A	-\$350
QCN concrete quartz <input type="checkbox"/> A	-\$2000
QPL pearl quartz <input type="checkbox"/> A	-\$2000

Eames® Conference Table, Oval,
Stone *continued*

For 42" deep x 66" wide (50V) with stone top (S)

5U	georgia grey marble <input type="checkbox"/>	+ \$1117
CRR	Carrara marble <input type="checkbox"/>	+ \$500
QBL	black quartz <input type="checkbox"/>	- \$500
QCN	concrete quartz <input type="checkbox"/>	- \$2000
QPL	pearl quartz <input type="checkbox"/>	- \$2000

For 42" deep x 78" wide (52V) with stone top (S)

5U	georgia grey marble <input type="checkbox"/>	+ \$1177
CRR	Carrara marble <input type="checkbox"/>	+ \$500
QBL	black quartz <input type="checkbox"/>	- \$500
QCN	concrete quartz <input type="checkbox"/>	- \$2000
QPL	pearl quartz <input type="checkbox"/>	- \$2000

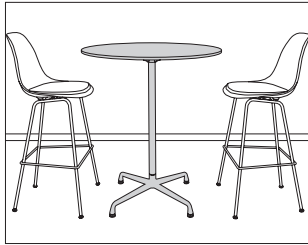
Step 7. Column Finish

611	beige mist metallic (CP) <input type="checkbox"/>	+ \$0
613	silver (CP) <input type="checkbox"/>	+ \$0
G1	graphite (CP) <input type="checkbox"/>	+ \$0
91	white (CP) <input type="checkbox"/>	+ \$0
BK	black <input type="checkbox"/>	+ \$0
CL	cool grey neutral <input type="checkbox"/>	+ \$0
HF	inner tone light <input type="checkbox"/>	+ \$0
LT	light tone <input type="checkbox"/>	+ \$0
LU	soft white <input type="checkbox"/>	+ \$0
MT	medium tone <input type="checkbox"/>	+ \$0
SG	slate grey <input type="checkbox"/>	+ \$0
WN	warm grey neutral <input type="checkbox"/>	+ \$0
EH	metallic bronze <input type="checkbox"/>	+ \$0

Step 8. Base Finish

611	beige mist metallic (CP) <input type="checkbox"/>	+ \$0
613	silver (CP) <input type="checkbox"/>	+ \$0
G1	graphite (CP) <input type="checkbox"/>	+ \$0
91	white (CP) <input type="checkbox"/>	+ \$0
BK	black <input type="checkbox"/>	+ \$0
CL	cool grey neutral <input type="checkbox"/>	+ \$0
HF	inner tone light <input type="checkbox"/>	+ \$0
LT	light tone <input type="checkbox"/>	+ \$0
LU	soft white <input type="checkbox"/>	+ \$0
MT	medium tone <input type="checkbox"/>	+ \$0
PA	polished aluminum <input type="checkbox"/>	+ \$0
SG	slate grey <input type="checkbox"/>	+ \$0
WN	warm grey neutral <input type="checkbox"/>	+ \$0
EH	metallic bronze <input type="checkbox"/>	+ \$0

Eames® Standing Height Table,
Round



ET407
ET408
ET422
ET423
ET424
ET425
ET426
ET427
ET429

ET431
ET507
ET508
ET522
ET523
ET524
ET525
ET526
ET527

ET529
ET531

Product Information

Description

This table has a laminate or veneer top with vinyl edge, a veneer top and edge, a thin-profile HPL top with black edge, a back-painted glass top with modified bullnose edge, or a solid wood top. Table may be specified with cutouts to accommodate simple power options (specified separately). Each table has adjustable glides. Shipped knocked down.

Notes

30"-60" tables have a 1-piece top and single column base. 66"-96" tables have 2-piece tops and a 4-column segmented base.

Laminate and veneer tops 30"-48" diameter are 7/8" thick; tops 54"-96" diameter are 1 1/4" thick.

Thin profile HPL tops are 1/2" thick.

Glass tops are back-painted, with a satin etch finish to reduce the appearance of fingerprints. Tops 30"-48" diameter are 1/2" thick; tops 54"-60" diameter are 1/2" thick with a Formcoat® substructure.

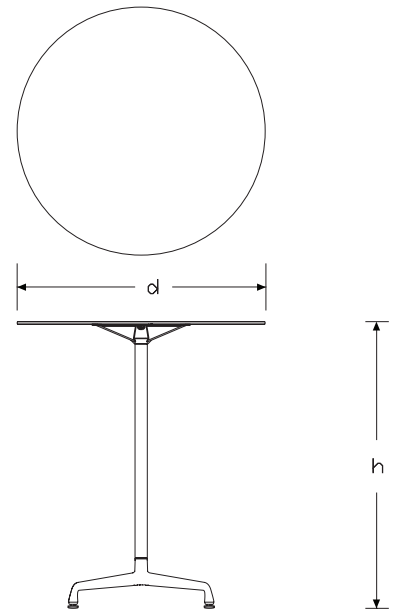
30" and 36" diameter tables may only accommodate USB access. Single center cutout (CC) grommet option must be specified. Grommet option is a non-functional hole plug. For USB access, order round dual USB charging unit (ET990.) separately.

42"-60" diameter tables may accommodate power. Single center cutout (CC) grommet option must be specified. Grommet provides simple pass-through with wire management features and a hinged lid. For power access, order round power module (ET991.) separately.

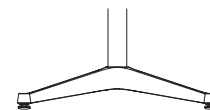
Multiple column tables (66"-96" diameter) may accommodate up to 4 power modules. Four cutouts (C4) option must be specified; cutouts are aligned above the columns. Grommets provide simple pass-through with wire management features and a hinged lid. For power access, order round power module (ET991.) separately.

Santos palisander veneer is celebrated for its unique grain and color variations. Similar products ordered in multiples or dissimilar products ordered separately should be expected to have variation in both grain and color characteristics; no two products will look exactly alike.

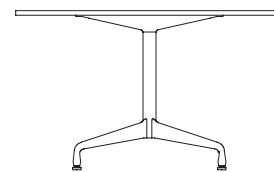
Dimensions



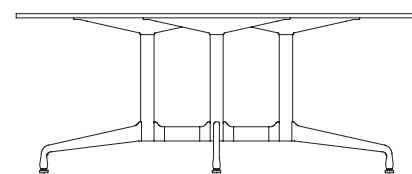
Universal Base



Contract Base



30"-60" Diameter, Segmented Base



66"-96" Diameter, Segmented Base

Eames® Standing Height Table,
Round *continued*

Specification Information

Step 1.

ET

Step 2. Height

- 4 36" high
- 5 42" high

Step 3. Diameter

- 07 30" diameter
- 08 36" diameter
- 22 42" diameter
- 23 48" diameter
- 24 54" diameter
- 25 60" diameter
- 26 66" diameter
- 27 72" diameter
- 29 84" diameter
- 31 96" diameter

Step 4. Base

For 30" diameter (07) or 36" diameter (08)

- C contract base
- U universal base

For 42" diameter (22) or 48" diameter (23)

- C contract base
- S segmented base

For 54" diameter (24), 60" diameter (25), 66" diameter (26), 72" diameter (27), 84" diameter (29), or 96" diameter (31)

- S segmented base

Step 5. Surface Material

For 30" diameter (07), 36" diameter (08), or 42" diameter (22)

- L high-pressure laminate top with vinyl edge
- C veneer top with vinyl edge A
- W veneer top with veneer edge A
- M thin profile HPL top with black edge
- G back-painted glass top
- SW solid wood top A

For 48" diameter (23)

- L high-pressure laminate top with vinyl edge A
- C veneer top with vinyl edge A
- W veneer top with veneer edge A
- M thin profile HPL top with black edge A
- G back-painted glass top A

For 66" diameter (26), 72" diameter (27), 84" diameter (29), or 96" diameter (31)

- L high-pressure laminate top with vinyl edge
- C veneer top with vinyl edge
- W veneer top with veneer edge

For 54" diameter (24) or 60" diameter (25)

- L high-pressure laminate top with vinyl edge A
- C veneer top with vinyl edge A
- W veneer top with veneer edge A
- G back-painted glass top A

Step 6. Grommets

For 30" diameter (07), 36" diameter (08), 42" diameter (22), 48" diameter (23), 54" diameter (24), or 60" diameter (25)

- NG no grommet
- CC single center cutout

For 66" diameter (26), 72" diameter (27), 84" diameter (29), or 96" diameter (31)

- NG no grommet
- C4 four cutouts

Prices for Steps 1-6.

			NG	C4	CC
ET407	C	L	\$1419	—	1487
		C	\$1641	—	1705
		W	\$1830	—	1900
		M	\$2466	—	2581
		G	\$5221	—	5839
	U	SW	\$4459	—	5130
		L	\$1419	—	1487
		C	\$1641	—	1705
		W	\$1830	—	1900
		M	\$2466	—	2581
	G	\$5221	—	5839	
	SW	\$4459	—	5130	

Eames® Standing Height Table,
Round *continued*

			NG	C4	CC
ET408	C	L	\$1624	—	1692
		C	\$1863	—	1926
		W	\$2124	—	2192
		M	\$3171	—	3290
		G	\$6719	—	7325
		SW	\$6145	—	6816
U	L	L	\$1624	—	1692
		C	\$1863	—	1926
		W	\$2124	—	2192
		M	\$3171	—	3290
		G	\$6719	—	7325
		SW	\$6145	—	6816
			NG	C4	CC
ET422	C	L	\$2023	—	2362
		C	\$2301	—	2642
		W	\$2568	—	2904
		M	\$4923	—	5263
		G	\$8665	—	9460
		SW	\$7233	—	7905
S	L	L	\$2023	—	2362
		C	\$2301	—	2642
		W	\$2568	—	2904
		M	\$4923	—	5263
		G	\$8665	—	9460
		SW	\$7233	—	7905
			NG	C4	CC
ET423	C	L	\$2214	—	2553
		C	\$2509	—	2847
		W	\$2759	—	3098
		M	\$5041	—	5382
		G	\$10684	—	11494
		SW	\$10684	—	11494
S	L	L	\$2214	—	2553
		C	\$2509	—	2847
		W	\$2759	—	3098
		M	\$5041	—	5382
		G	\$10684	—	11494
		SW	\$10684	—	11494
			NG	C4	CC
ET424	S	L	\$2714	—	3054
		C	\$3127	—	3466
		W	\$3319	—	3657
		G	\$14958	—	15500

			NG	C4	CC
ET425	S	L	\$3466	—	3803
		C	\$3950	—	4290
		W	\$4394	—	4731
		G	\$17887	—	18593
			NG	C4	CC
ET426	S	L	\$5423	6778	—
		C	\$5939	7296	—
		W	\$6528	7884	—
			NG	C4	CC
ET427	S	L	\$5626	6983	—
		C	\$6293	7648	—
		W	\$6954	8308	—
			NG	C4	CC
ET429	S	L	\$6278	7632	—
		C	\$7207	8562	—
		W	\$7944	9299	—
			NG	C4	CC
ET431	S	L	\$7497	8853	—
		C	\$8723	10077	—
		W	\$9609	10961	—
			NG	C4	CC
ET507	C	L	\$1419	—	1487
		C	\$1641	—	1705
		W	\$1830	—	1900
		M	\$2466	—	2581
		G	\$5221	—	5839
		SW	\$4459	—	5130
U	L	L	\$1419	—	1487
		C	\$1641	—	1705
		W	\$1830	—	1900
		M	\$2466	—	2581
		G	\$5221	—	5839
		SW	\$4459	—	5130
			NG	C4	CC
ET508	C	L	\$1624	—	1692
		C	\$1863	—	1926
		W	\$2124	—	2192
		M	\$3171	—	3290
		G	\$6719	—	7325
		SW	\$6145	—	6816

Eames® Standing Height Table,
Round *continued*

Eames® Tables

U	L	\$1624	—	1692
	C	\$1863	—	1926
	W	\$2124	—	2192
	M	\$3171	—	3290
	G	\$6719	—	7325
	SW	\$6145	—	6816

		NG	C4	CC
ET522	C L	\$2023	—	2362
	C	\$2301	—	2642
	W	\$2568	—	2904
	M	\$4923	—	5263
	G	\$8665	—	9460
	SW	\$7233	—	7905

S	L	\$2023	—	2362
	C	\$2301	—	2642
	W	\$2568	—	2904
	M	\$4923	—	5263
	G	\$8665	—	9460
	SW	\$7233	—	7905

		NG	C4	CC
ET523	C L	\$2214	—	2553
	C	\$2509	—	2847
	W	\$2759	—	3098
	M	\$5041	—	5382
	G	\$10684	—	11494

S	L	\$2214	—	2553
	C	\$2509	—	2847
	W	\$2759	—	3098
	M	\$5041	—	5382
	G	\$10684	—	11494

		NG	C4	CC
ET524	S L	\$2714	—	3054
	C	\$3127	—	3466
	W	\$3319	—	3657
	G	\$14958	—	15500

		NG	C4	CC
ET525	S L	\$3466	—	3803
	C	\$3950	—	4290
	W	\$4394	—	4731
	G	\$17887	—	18593

		NG	C4	CC
ET526	S L	\$5423	6778	—
	C	\$5939	7296	—
	W	\$6528	7884	—

		NG	C4	CC
ET527	S L	\$5626	6983	—
	C	\$6293	7648	—
	W	\$6954	8308	—

		NG	C4	CC
ET529	S L	\$6278	7632	—
	C	\$7207	8562	—
	W	\$7944	9299	—

		NG	C4	CC
ET531	S L	\$7497	8853	—
	C	\$8723	10077	—
	W	\$9609	10961	—

Step 7.

Top Finish: Finish

For back-painted glass top (G)

8Q	folkstone grey (CP)	+\$0
91	white (CP)	+\$0
BK	black	+\$0
WN	warm grey neutral	+\$0

Top Finish: Finish

For thin profile HPL top with black edge (M)

91	white (CP)	+\$0
G1	graphite (CP)	+\$0
BK	black	+\$0

Top Finish: Solid-Color Laminate

For high-pressure laminate top with vinyl edge (L)

8Q	folkstone grey (CP)	+\$0
91	white (CP)	+\$0
98	studio white (CP)	+\$0
BKM	black matte	+\$0
CL	cool grey neutral	+\$0
HF	inner tone light	+\$0
LT	light tone	+\$0
LU	soft white	+\$0
WL	warm stone (CP)	+\$0
WN	warm grey neutral	+\$0

Eames® Standing Height Table,
Round *continued*

Top Finish		
<i>For 30" diameter (07) with solid wood top (SW)</i>		
OU	walnut A	+\$335
WHN	natural white oak A	+\$0

Top Finish		
<i>For 36" diameter (08) with solid wood top (SW)</i>		
OU	walnut A	+\$480
WHN	natural white oak A	+\$0

Top Finish		
<i>For 42" diameter (22) with solid wood top (SW)</i>		
OU	walnut A	+\$580
WHN	natural white oak A	+\$0

Top Finish: Wood Veneer		
<i>For 30" diameter (07) with veneer top with vinyl edge (C)</i>		
2U	light brown walnut	+\$105
40	dark brown walnut	+\$105
9N	santos palisander	+\$380
A2	white ash	+\$105
CHD	noble cherry	+\$105
EN	ebony	+\$105
OU	walnut	+\$105
UL	natural maple	+\$105
WHN	natural white oak	+\$105

Top Finish: Wood Veneer		
<i>For 36" diameter (08) with veneer top with vinyl edge (C)</i>		
2U	light brown walnut	+\$105
40	dark brown walnut	+\$105
9N	santos palisander	+\$380
A2	white ash	+\$105
CHD	noble cherry	+\$105
EN	ebony	+\$105
OU	walnut	+\$105
UL	natural maple	+\$105
WHN	natural white oak	+\$105

Top Finish: Wood Veneer		
<i>For 42" diameter (22) with veneer top with vinyl edge (C)</i>		
2U	light brown walnut	+\$130
40	dark brown walnut	+\$130
9N	santos palisander	+\$720
A2	white ash	+\$130
CHD	noble cherry	+\$130
EN	ebony	+\$130
OU	walnut	+\$130
UL	natural maple	+\$130
WHN	natural white oak	+\$130

Top Finish: Wood Veneer		
<i>For 48" diameter (23) with veneer top with vinyl edge (C)</i>		
2U	light brown walnut	+\$175
40	dark brown walnut	+\$175
9N	santos palisander	+\$839
A2	white ash	+\$175
CHD	noble cherry	+\$175
EN	ebony	+\$175
OU	walnut	+\$175
UL	natural maple	+\$175
WHN	natural white oak	+\$175

Top Finish: Wood Veneer		
<i>For 54" diameter (24) with veneer top with vinyl edge (C)</i>		
2U	light brown walnut	+\$230
40	dark brown walnut	+\$230
9N	santos palisander	+\$976
A2	white ash	+\$230
CHD	noble cherry	+\$230
EN	ebony	+\$230
OU	walnut	+\$230
UL	natural maple	+\$230
WHN	natural white oak	+\$230

Top Finish: Wood Veneer		
<i>For 60" diameter (25) with veneer top with vinyl edge (C)</i>		
2U	light brown walnut	+\$365
40	dark brown walnut	+\$365
9N	santos palisander	+\$2044
A2	white ash	+\$365
CHD	noble cherry	+\$365
EN	ebony	+\$365
OU	walnut	+\$365
UL	natural maple	+\$365
WHN	natural white oak	+\$365

Eames® Standing Height Table,
Round *continued*

Eames® Tables

Top Finish: Wood Veneer		
<i>For 66" diameter (26) with veneer top with vinyl edge (C)</i>		
2U	light brown walnut	+\$365
40	dark brown walnut	+\$365
9N	santos palisander	+\$2044
A2	white ash	+\$365
CHD	noble cherry	+\$365
EN	ebony	+\$365
OU	walnut	+\$365
UL	natural maple	+\$365
WHN	natural white oak	+\$365

Top Finish: Wood Veneer		
<i>For 72" diameter (27) with veneer top with vinyl edge (C)</i>		
2U	light brown walnut	+\$365
40	dark brown walnut	+\$365
9N	santos palisander	+\$2044
A2	white ash	+\$365
CHD	noble cherry	+\$365
EN	ebony	+\$365
OU	walnut	+\$365
UL	natural maple	+\$365
WHN	natural white oak	+\$365

Top Finish: Wood Veneer		
<i>For 84" diameter (29) with veneer top with vinyl edge (C)</i>		
2U	light brown walnut	+\$425
40	dark brown walnut	+\$425
9N	santos palisander	+\$2380
A2	white ash	+\$425
CHD	noble cherry	+\$425
EN	ebony	+\$425
OU	walnut	+\$425
UL	natural maple	+\$425
WHN	natural white oak	+\$425

Top Finish: Wood Veneer		
<i>For 96" diameter (31) with veneer top with vinyl edge (C)</i>		
2U	light brown walnut	+\$495
40	dark brown walnut	+\$495
9N	santos palisander	+\$2782
A2	white ash	+\$495
CHD	noble cherry	+\$495
EN	ebony	+\$495
OU	walnut	+\$495
UL	natural maple	+\$495
WHN	natural white oak	+\$495

Top/Edge Finish		
<i>For 30" diameter (07) with veneer top with veneer edge (W)</i>		
2U	light brown walnut	+\$105
40	dark brown walnut	+\$105
9N	santos palisander	+\$380
A2	white ash	+\$105
CHD	noble cherry	+\$105
EN	ebony	+\$105
OU	walnut	+\$105
UL	natural maple	+\$105
WHN	natural white oak	+\$105

Top/Edge Finish		
<i>For 36" diameter (08) with veneer top with veneer edge (W)</i>		
2U	light brown walnut	+\$105
40	dark brown walnut	+\$105
9N	santos palisander	+\$380
A2	white ash	+\$105
CHD	noble cherry	+\$105
EN	ebony	+\$105
OU	walnut	+\$105
UL	natural maple	+\$105
WHN	natural white oak	+\$105

Top/Edge Finish		
<i>For 42" diameter (22) with veneer top with veneer edge (W)</i>		
2U	light brown walnut	+\$130
40	dark brown walnut	+\$130
9N	santos palisander	+\$720
A2	white ash	+\$130
CHD	noble cherry	+\$130
EN	ebony	+\$130
OU	walnut	+\$130
UL	natural maple	+\$130
WHN	natural white oak	+\$130

Top/Edge Finish		
<i>For 48" diameter (23) with veneer top with veneer edge (W)</i>		
2U	light brown walnut	+\$175
40	dark brown walnut	+\$175
9N	santos palisander	+\$839
A2	white ash	+\$175
CHD	noble cherry	+\$175
EN	ebony	+\$175
OU	walnut	+\$175
UL	natural maple	+\$175
WHN	natural white oak	+\$175

Eames® Standing Height Table,
Round *continued*

Top/Edge Finish		
<i>For 54" diameter (24) with veneer top with veneer edge (W)</i>		
2U	light brown walnut	+\$230
40	dark brown walnut	+\$230
9N	santos palisander	+\$976
A2	white ash	+\$230
CHD	noble cherry	+\$230
EN	ebony	+\$230
OU	walnut	+\$230
UL	natural maple	+\$230
WHN	natural white oak	+\$230

Top/Edge Finish		
<i>For 60" diameter (25) with veneer top with veneer edge (W)</i>		
2U	light brown walnut	+\$365
40	dark brown walnut	+\$365
9N	santos palisander	+\$2044
A2	white ash	+\$365
CHD	noble cherry	+\$365
EN	ebony	+\$365
OU	walnut	+\$365
UL	natural maple	+\$365
WHN	natural white oak	+\$365

Top/Edge Finish		
<i>For 66" diameter (26) with veneer top with veneer edge (W)</i>		
2U	light brown walnut	+\$365
40	dark brown walnut	+\$365
9N	santos palisander	+\$2044
A2	white ash	+\$365
CHD	noble cherry	+\$365
EN	ebony	+\$365
OU	walnut	+\$365
UL	natural maple	+\$365
WHN	natural white oak	+\$365

Top/Edge Finish		
<i>For 72" diameter (27) with veneer top with veneer edge (W)</i>		
2U	light brown walnut	+\$365
40	dark brown walnut	+\$365
9N	santos palisander	+\$2044
A2	white ash	+\$365
CHD	noble cherry	+\$365
EN	ebony	+\$365
OU	walnut	+\$365
UL	natural maple	+\$365
WHN	natural white oak	+\$365

Top/Edge Finish		
<i>For 84" diameter (29) with veneer top with veneer edge (W)</i>		
2U	light brown walnut	+\$425
40	dark brown walnut	+\$425
9N	santos palisander	+\$2380
A2	white ash	+\$425
CHD	noble cherry	+\$425
EN	ebony	+\$425
OU	walnut	+\$425
UL	natural maple	+\$425
WHN	natural white oak	+\$425

Top/Edge Finish		
<i>For 96" diameter (31) with veneer top with veneer edge (W)</i>		
2U	light brown walnut	+\$495
40	dark brown walnut	+\$495
9N	santos palisander	+\$2782
A2	white ash	+\$495
CHD	noble cherry	+\$495
EN	ebony	+\$495
OU	walnut	+\$495
UL	natural maple	+\$495
WHN	natural white oak	+\$495

Step 8. Edge Finish		
<i>For high-pressure laminate top with vinyl edge (L) or veneer top with vinyl edge (C)</i>		
8Q	folkstone grey (CP)	+\$0
91	white (CP)	+\$0
98	studio white (CP)	+\$0
BK	black	+\$0
CL	cool grey neutral	+\$0
HF	inner tone light	+\$0
LT	light tone	+\$0
LU	soft white	+\$0
SG	slate grey	+\$0
WL	warm stone (CP)	+\$0
WN	warm grey neutral	+\$0

Step 9. Grommet Finish		
<i>For 30" diameter (07) or 36" diameter (08) with high-pressure laminate top with vinyl edge (L), veneer top with vinyl edge (C), or veneer top with veneer edge (W), or thin profile HPL top with black edge (M), or back-painted glass top (G) with single center cutout (CC)</i>		
PA	polished aluminum	+\$0

Eames® Standing Height Table,
Round *continued*

For 30" diameter (07) or 36" diameter (08) with solid wood top (SW) with single center cutout (CC)

NF	no finish <input type="checkbox"/> A	+\$0
-----------	--------------------------------------	------

For 42" diameter (22), 48" diameter (23), 54" diameter (24), 60" diameter (25), 66" diameter (26), 72" diameter (27), 84" diameter (29), or 96" diameter (31) with high-pressure laminate top with vinyl edge (L), or veneer top with vinyl edge (C), or veneer top with veneer edge (W), or thin profile HPL top with black edge (M), or back-painted glass top (G) with four cutouts (C4), or single center cutout (CC)

91	white (CP)	+\$0
BK	black	+\$0
PA	polished aluminum	+\$0

For 42" diameter (22) with solid wood top (SW) with single center cutout (CC)

91	white (CP) <input type="checkbox"/> A	+\$0
BK	black <input type="checkbox"/> A	+\$0
PA	polished aluminum <input type="checkbox"/> A	+\$0

Step 10. Column Finish

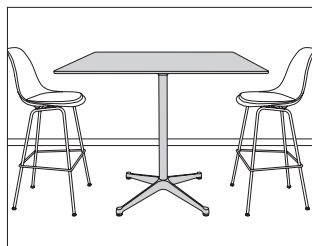
611	beige mist metallic (CP)	+\$0
613	silver (CP)	+\$0
G1	graphite (CP)	+\$0
91	white (CP)	+\$0
BK	black	+\$0
CL	cool grey neutral	+\$0
EH	metallic bronze	+\$0
HF	inner tone light	+\$0
LT	light tone	+\$0
LU	soft white	+\$0
MT	medium tone	+\$0
SG	slate grey	+\$0
WN	warm grey neutral	+\$0

Step 11. Base Finish

611	beige mist metallic (CP)	+\$0
613	silver (CP)	+\$0
G1	graphite (CP)	+\$0
91	white (CP)	+\$0
BK	black	+\$0
CL	cool grey neutral	+\$0
EH	metallic bronze	+\$0
HF	inner tone light	+\$0
LT	light tone	+\$0
LU	soft white	+\$0
MT	medium tone	+\$0
PA	polished aluminum	+\$0
SG	slate grey	+\$0
WN	warm grey neutral	+\$0

Eames® Standing Height Table, Square

- ET404
- ET405
- ET406
- ET448
- ET504
- ET505
- ET506
- ET548



Product Information

Description

This table has a laminate or veneer top with vinyl edge, a veneer top and edge, a thin-profile HPL top with black edge, a back-painted glass top with modified bullnose edge, or a solid wood top. Table may be specified with cutouts to accommodate simple power options (specified separately). Each table has adjustable glides. Shipped knocked down.

Notes

Tables have a 1-piece top and single column base.

Laminate and veneer tops are 7/8" thick.

Thin profile HPL tops are 1/2" thick.

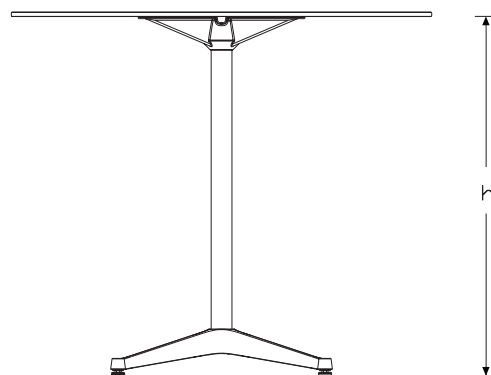
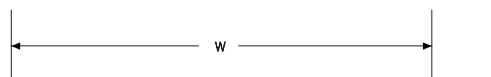
Glass tops are back-painted, with a satin etch finish to reduce the appearance of fingerprints. Tops are 1/2" thick.

30" and 36" tables may only accommodate USB access. Single center cutout (CC) grommet option must be specified. Grommet option is a non-functional hole plug. For USB access, order round dual USB charging unit (ET990.) separately.

42" and 48" tables may accommodate power. Single center cutout (CC) grommet option must be specified. Grommet provides simple pass-through with wire management features and a hinged lid. For power access, order round power module (ET991.) separately.

Santos palisander veneer is celebrated for its unique grain and color variations. Similar products ordered in multiples or dissimilar products ordered separately should be expected to have variation in both grain and color characteristics; no two products will look exactly alike.

Dimensions



Contract Base



Universal Base

Eames® Standing Height Table,
Square *continued*

Eames® Tables

Specification Information

Step 1.

ET A

Step 2. Height

4 36" high
5 42" high

Step 3. Depth/Width

04 30" deep x 30" wide
05 36" deep x 36" wide
06 42" deep x 42" wide
48 48" deep x 48" wide

Step 4. Base

For 30" deep x 30" wide (04) or 36" deep x 36" wide (05)

C contract base
U universal base

For 42" deep x 42" wide (06) or 48" deep x 48" wide (48)

C contract base

Step 5. Surface Material

For 30" deep x 30" wide (04), 36" deep x 36" wide (05), or 42" deep x 42" wide (06)

L high-pressure laminate top with vinyl edge
C veneer top with vinyl edge A
W veneer top with veneer edge A
M thin profile HPL top with black edge A
G back-painted glass top A
SW solid wood top A

For 48" deep x 48" wide (48)

L high-pressure laminate top with vinyl edge A
C veneer top with vinyl edge A
W veneer top with veneer edge A
M thin profile HPL top with black edge A
G back-painted glass top A

Step 6. Grommets

NG no grommet
CC single center cutout

Prices for Steps 1-6.

			NG	CC
ET404	C	L	\$1419	1487
		C	\$1641	1705
	W	M	\$1830	1900
		G	\$2466	2581
	SW	G	\$5221	5839
		SW	\$4459	5130
	U	L	\$1419	1487
		C	\$1641	1705
		W	\$1830	1900
		M	\$2466	2581
G		\$5221	5839	
SW		\$4459	5130	

			NG	CC
ET405	C	L	\$1624	1692
		C	\$1863	1926
	W	M	\$2124	2192
		G	\$3171	3290
	SW	G	\$6719	7325
		SW	\$6145	6816
	U	L	\$1624	1692
		C	\$1863	1926
		W	\$2124	2192
		M	\$3171	3290
G		\$6719	7325	
SW		\$6145	6816	

			NG	CC
ET406	C	L	\$2023	2362
		C	\$2301	2642
	W	M	\$2568	2904
		G	\$4923	5263
	SW	G	\$8665	9460
		SW	\$7233	7905

			NG	CC
ET448	C	L	\$2214	2553
		C	\$2509	2847
	W	M	\$2759	3098
		G	\$5041	5382
	G	\$10684	11494	

Eames® Standing Height Table,
Square *continued*

		NG	CC	
ET504	C L	\$1419	1487	
	C	\$1641	1705	
	W	\$1830	1900	
	M	\$2466	2581	
	G	\$5221	5839	
	SW	\$4459	5130	
	U L	\$1419	1487	
	C	\$1641	1705	
	W	\$1830	1900	
	M	\$2466	2581	
	G	\$5221	5839	
	SW	\$4459	5130	
			NG	CC
	ET505	C L	\$1624	1692
C		\$1863	1926	
W		\$2124	2192	
M		\$3171	3290	
G		\$6719	7325	
SW		\$6145	6816	
U L		\$1624	1692	
	C	\$1863	1926	
	W	\$2124	2192	
	M	\$3171	3290	
	G	\$6719	7325	
	SW	\$6145	6816	
			NG	CC
	ET506	C L	\$2023	2362
C		\$2301	2642	
W		\$2568	2904	
M		\$4923	5263	
G		\$8665	9460	
SW		\$7233	7905	
		NG	CC	
ET548	C L	\$2214	2553	
	C	\$2509	2847	
	W	\$2759	3098	
	M	\$5041	5382	
	G	\$10684	11494	

Step 7.		
Top Finish: Finish		
<i>For back-painted glass top (G)</i>		
8Q	folkstone grey (CP) <input type="checkbox"/> A	+\$0
91	white (CP) <input type="checkbox"/> A	+\$0
BK	black <input type="checkbox"/> A	+\$0
WN	warm grey neutral <input type="checkbox"/> A	+\$0
Top Finish: Finish		
<i>For thin profile HPL top with black edge (M)</i>		
91	white (CP) <input type="checkbox"/> A	+\$0
G1	graphite (CP) <input type="checkbox"/> A	+\$0
BK	black <input type="checkbox"/> A	+\$0
Top Finish: Solid-Color Laminate		
<i>For high-pressure laminate top with vinyl edge (L)</i>		
8Q	folkstone grey (CP)	+\$0
91	white (CP)	+\$0
98	studio white (CP)	+\$0
BKM	black matte <input type="checkbox"/> A	+\$0
CL	cool grey neutral	+\$0
HF	inner tone light	+\$0
LT	light tone	+\$0
LU	soft white	+\$0
WL	warm stone (CP)	+\$0
WN	warm grey neutral	+\$0
Top Finish		
<i>For 30" deep x 30" wide (04) with solid wood top (SW)</i>		
OU	walnut <input type="checkbox"/> A	+\$335
WHN	natural white oak <input type="checkbox"/> A	+\$0
Top Finish		
<i>For 36" deep x 36" wide (05) with solid wood top (SW)</i>		
OU	walnut <input type="checkbox"/> A	+\$480
WHN	natural white oak <input type="checkbox"/> A	+\$0
Top Finish		
<i>For 42" deep x 42" wide (06) with solid wood top (SW)</i>		
OU	walnut <input type="checkbox"/> A	+\$580
WHN	natural white oak <input type="checkbox"/> A	+\$0

Eames® Standing Height Table,
Square *continued*

Top Finish: Wood Veneer		
<i>For 30" deep x 30" wide (04) or 36" deep x 36" wide (05) with veneer top with vinyl edge (C)</i>		
2U	light brown walnut <input type="checkbox"/> A	+\$105
40	dark brown walnut <input type="checkbox"/> A	+\$105
9N	santos palisander <input type="checkbox"/> A	+\$380
A2	white ash <input type="checkbox"/> A	+\$105
CHD	noble cherry <input type="checkbox"/> A	+\$105
EN	ebony <input type="checkbox"/> A	+\$105
OU	walnut <input type="checkbox"/> A	+\$105
UL	natural maple <input type="checkbox"/> A	+\$105
WHN	natural white oak <input type="checkbox"/> A	+\$0

Top Finish: Wood Veneer		
<i>For 42" deep x 42" wide (06) with veneer top with vinyl edge (C)</i>		
2U	light brown walnut <input type="checkbox"/> A	+\$130
40	dark brown walnut <input type="checkbox"/> A	+\$130
9N	santos palisander <input type="checkbox"/> A	+\$720
A2	white ash <input type="checkbox"/> A	+\$130
CHD	noble cherry <input type="checkbox"/> A	+\$130
EN	ebony <input type="checkbox"/> A	+\$130
OU	walnut <input type="checkbox"/> A	+\$130
UL	natural maple <input type="checkbox"/> A	+\$130
WHN	natural white oak <input type="checkbox"/> A	+\$0

Top Finish: Wood Veneer		
<i>For 48" deep x 48" wide (48) with veneer top with vinyl edge (C)</i>		
2U	light brown walnut <input type="checkbox"/> A	+\$175
40	dark brown walnut <input type="checkbox"/> A	+\$175
9N	santos palisander <input type="checkbox"/> A	+\$839
A2	white ash <input type="checkbox"/> A	+\$175
CHD	noble cherry <input type="checkbox"/> A	+\$175
EN	ebony <input type="checkbox"/> A	+\$175
OU	walnut <input type="checkbox"/> A	+\$175
UL	natural maple <input type="checkbox"/> A	+\$175
WHN	natural white oak <input type="checkbox"/> A	+\$0

Top/Edge Finish		
<i>For 30" deep x 30" wide (04) or 36" deep x 36" wide (05) with veneer top with veneer edge (W)</i>		
2U	light brown walnut <input type="checkbox"/> A	+\$105
40	dark brown walnut <input type="checkbox"/> A	+\$105
9N	santos palisander <input type="checkbox"/> A	+\$380
A2	white ash <input type="checkbox"/> A	+\$105
CHD	noble cherry <input type="checkbox"/> A	+\$105
EN	ebony <input type="checkbox"/> A	+\$105
OU	walnut <input type="checkbox"/> A	+\$105
UL	natural maple <input type="checkbox"/> A	+\$105
WHN	natural white oak <input type="checkbox"/> A	+\$0

Top/Edge Finish		
<i>For 42" deep x 42" wide (06) with veneer top with veneer edge (W)</i>		
2U	light brown walnut <input type="checkbox"/> A	+\$130
40	dark brown walnut <input type="checkbox"/> A	+\$130
9N	santos palisander <input type="checkbox"/> A	+\$720
A2	white ash <input type="checkbox"/> A	+\$130
CHD	noble cherry <input type="checkbox"/> A	+\$130
EN	ebony <input type="checkbox"/> A	+\$130
OU	walnut <input type="checkbox"/> A	+\$130
UL	natural maple <input type="checkbox"/> A	+\$130
WHN	natural white oak <input type="checkbox"/> A	+\$0

Top/Edge Finish		
<i>For 48" deep x 48" wide (48) with veneer top with veneer edge (W)</i>		
2U	light brown walnut <input type="checkbox"/> A	+\$175
40	dark brown walnut <input type="checkbox"/> A	+\$175
9N	santos palisander <input type="checkbox"/> A	+\$839
A2	white ash <input type="checkbox"/> A	+\$175
CHD	noble cherry <input type="checkbox"/> A	+\$175
EN	ebony <input type="checkbox"/> A	+\$175
OU	walnut <input type="checkbox"/> A	+\$175
UL	natural maple <input type="checkbox"/> A	+\$175
WHN	natural white oak <input type="checkbox"/> A	+\$0

Eames® Standing Height Table,
Square *continued*

Step 8. Edge Finish

For high-pressure laminate top with vinyl edge (L) or veneer top with vinyl edge (C)

8Q	folkstone grey (CP)	+\$0
91	white (CP)	+\$0
98	studio white (CP)	+\$0
BK	black	+\$0
CL	cool grey neutral	+\$0
HF	inner tone light	+\$0
LT	light tone	+\$0
LU	soft white	+\$0
SG	slate grey	+\$0
WL	warm stone (CP)	+\$0
WN	warm grey neutral	+\$0

Step 9. Grommet Finish

For 30" deep x 30" wide (04) or 36" deep x 36" wide (05) with high-pressure laminate top with vinyl edge (L), veneer top with vinyl edge (C), or veneer top with veneer edge (W), or thin profile HPL top with black edge (M), or back-painted glass top (G) with single center cutout (CC)

PA	polished aluminum	+\$0
-----------	-------------------	------

For 30" deep x 30" wide (04) or 36" deep x 36" wide (05) with solid wood top (SW) with single center cutout (CC)

NF	no finish A	+\$0
-----------	---	------

For 42" deep x 42" wide (06) or 48" deep x 48" wide (48) with high-pressure laminate top with vinyl edge (L), veneer top with vinyl edge (C), or veneer top with veneer edge (W), or thin profile HPL top with black edge (M), or back-painted glass top (G) with single center cutout (CC)

91	white (CP)	+\$0
BK	black	+\$0
PA	polished aluminum	+\$0

For 42" deep x 42" wide (06) with solid wood top (SW) with single center cutout (CC)

91	white (CP) A	+\$0
BK	black A	+\$0
PA	polished aluminum A	+\$0

Step 10. Column Finish

611	beige mist metallic (CP) A	+\$0
613	silver (CP) A	+\$0
G1	graphite (CP) A	+\$0
91	white (CP)	+\$0
BK	black	+\$0
CL	cool grey neutral	+\$0
EH	metallic bronze	+\$0
HF	inner tone light	+\$0
LT	light tone	+\$0
LU	soft white	+\$0
MT	medium tone	+\$0
SG	slate grey	+\$0
WN	warm grey neutral	+\$0

Step 11. Base Finish

611	beige mist metallic (CP) A	+\$0
613	silver (CP) A	+\$0
G1	graphite (CP) A	+\$0
91	white (CP)	+\$0
BK	black	+\$0
CL	cool grey neutral	+\$0
EH	metallic bronze	+\$0
HF	inner tone light	+\$0
LT	light tone	+\$0
LU	soft white	+\$0
MT	medium tone	+\$0
PA	polished aluminum	+\$0
SG	slate grey	+\$0
WN	warm grey neutral	+\$0

Eames® Standing Height Table, Rectangular



Eames® Tables

Product Information

Description

This segmented base table has a laminate or veneer top with vinyl edge, a veneer top and edge, a thin-profile HPL top with black edge, a back-painted glass top with modified bullnose edge, or a solid wood top. Table may be specified with cutouts to accommodate simple power options (specified separately). Each table has adjustable glides. Shipped knocked down.

Notes

60"-wide to 96"-wide tables have a 1-piece top and 2-column segmented base. 60"-deep tables have a dual run of columns.

For veneer tables, 108"-wide to 192"-wide tops are shipped in 2 equal pieces; 216"-wide and 264"-wide tops are shipped in 3 equal pieces.

For laminate tables, 108"-wide tables have a 1-piece top; 120"-wide to 216"-wide tops are shipped in 2 equal pieces; 240"-wide and 264"-wide tops are shipped in 3 equal pieces.

Laminate and veneer tops are 1 1/4" thick.

Thin profile HPL tops are 1/2" thick.

Glass tops are back-painted, with a satin etch finish to reduce the appearance of fingerprints. Tops up to 42"×78" are 1/2" thick; tops 42"×84" to 60"×120" are 3/8" thick with a Formcoat® substructure.

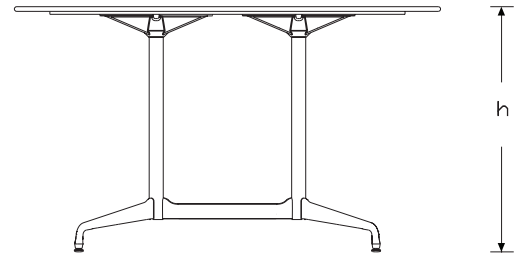
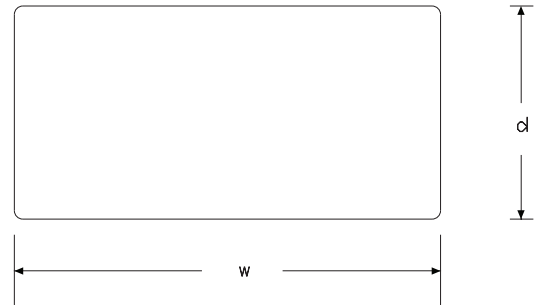
Tables may be specified with cutouts for power in various configurations. Round cutouts align with columns, and oval cutouts are centered between columns.

Order the following compatible power components separately:

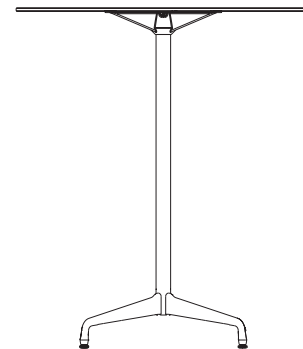
- Round power module (ET991.)
- Oval power module (ET992.)
- Pair of oval power modules (ET993.)
- Oval power module & undermount power (ET994.)
- Pair of oval power modules & undermount power (ET995.)

Santos palisander veneer is celebrated for its unique grain and color variations. Similar products ordered in multiples or dissimilar products ordered separately should be expected to have variation in both grain and color characteristics; no two products will look exactly alike.

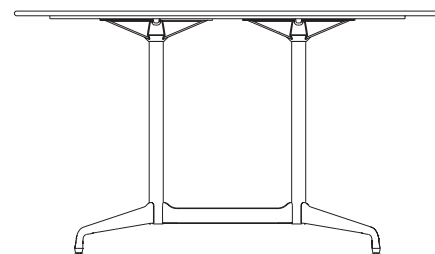
Dimensions



Segmented Base, Width View



30"-54", Depth View



60", Depth View

Eames® Standing Height Table,
Rectangular *continued*

Specification Information

Step 1.

ET

Step 2. Height

4 36" high
5 42" high

Step 3. Depth/Width

87R 30" deep x 60" wide
88R 30" deep x 72" wide
42R 36" deep x 60" wide
43R 36" deep x 72" wide
44R 36" deep x 84" wide
89R 36" deep x 96" wide
50R 42" deep x 66" wide
51R 42" deep x 72" wide
52R 42" deep x 78" wide
45R 42" deep x 84" wide
54R 48" deep x 84" wide
47R 48" deep x 96" wide
55R 54" deep x 90" wide
56R 54" deep x 96" wide
57R 54" deep x 108" wide
58R 54" deep x 120" wide
60R 54" deep x 144" wide
61R 54" deep x 156" wide
62R 54" deep x 168" wide
64R 54" deep x 192" wide
66R 54" deep x 216" wide
68R 54" deep x 240" wide
70R 54" deep x 264" wide
71R 60" deep x 120" wide
72R 60" deep x 144" wide
73R 60" deep x 156" wide
74R 60" deep x 168" wide
75R 60" deep x 192" wide
76R 60" deep x 216" wide
77R 60" deep x 240" wide
78R 60" deep x 264" wide

Step 4. Base

S segmented base

Step 5. Surface Material

For 30" deep x 60" wide (87R), 30" deep x 72" wide (88R), 36" deep x 60" wide (42R), or 36" deep x 72" wide (43R)

L high-pressure laminate top with vinyl edge
C veneer top with vinyl edge
W veneer top with veneer edge
M thin profile HPL top with black edge
G back-painted glass top
SW solid wood top A

For 36" deep x 84" wide (44R), 36" deep x 96" wide (89R), 42" deep x 66" wide (50R), 42" deep x 72" wide (51R), 42" deep x 78" wide (52R), 42" deep x 84" wide (45R), 48" deep x 84" wide (54R), or 48" deep x 96" wide (47R)

L high-pressure laminate top with vinyl edge A
C veneer top with vinyl edge A
W veneer top with veneer edge A
M thin profile HPL top with black edge A
G back-painted glass top A

For 54" deep x 90" wide (55R), 54" deep x 96" wide (56R), 54" deep x 108" wide (57R), 54" deep x 120" wide (58R), or 60" deep x 120" wide (71R)

L high-pressure laminate top with vinyl edge
C veneer top with vinyl edge
W veneer top with veneer edge
G back-painted glass top

For 54" deep x 144" wide (60R), 54" deep x 156" wide (61R), 54" deep x 168" wide (62R), 54" deep x 192" wide (64R), 54" deep x 216" wide (66R), 54" deep x 240" wide (68R), 54" deep x 264" wide (70R), 60" deep x 144" wide (72R), 60" deep x 156" wide (73R), 60" deep x 168" wide (74R), 60" deep x 192" wide (75R), 60" deep x 216" wide (76R), 60" deep x 240" wide (77R), or 60" deep x 264" wide (78R)

L high-pressure laminate top with vinyl edge
C veneer top with vinyl edge
W veneer top with veneer edge

Eames® Standing Height Table,
Rectangular *continued*

Eames® Tables

Step 6. Grommets

For 30" deep x 60" wide (87R), 30" deep x 72" wide (88R), 36" deep x 60" wide (42R), 36" deep x 72" wide (43R), 36" deep x 84" wide (44R), 36" deep x 96" wide (89R), 42" deep x 66" wide (50R), 42" deep x 72" wide (51R), 42" deep x 78" wide (52R), 42" deep x 84" wide (45R), 48" deep x 84" wide (54R), 48" deep x 96" wide (47R), 54" deep x 90" wide (55R), 54" deep x 96" wide (56R), or 54" deep x 108" wide (57R)

- NG no grommet
- C2 2 round cutouts, over columns
- CR single centered oval cutout
- CA 2 round cutouts and center oval cutout

For 54" deep x 120" wide (58R), 54" deep x 144" wide (60R), 54" deep x 156" wide (61R), 54" deep x 168" wide (62R), 60" deep x 120" wide (71R), 60" deep x 144" wide (72R), 60" deep x 156" wide (73R), or 60" deep x 168" wide (74R)

- NG no grommet
- C2 2 round cutouts, over columns
- CM 2 oval cutouts
- CB 2 round cutouts and 2 oval cutouts

For 54" deep x 192" wide (64R) or 60" deep x 192" wide (75R)

- NG no grommet
- C2 2 round cutouts, over columns
- CP 3 oval cutouts
- CE 2 round cutouts and 3 oval cutouts

For 54" deep x 216" wide (66R), 54" deep x 240" wide (68R), 54" deep x 264" wide (70R), 60" deep x 216" wide (76R), 60" deep x 240" wide (77R), or 60" deep x 264" wide (78R)

- NG no grommet
- C3 3 round cutouts, over columns
- CN 4 oval cutouts
- CD 3 round cutouts and 4 oval cutouts

Prices for Steps 1-6.

		NG	C2	C3	CM	CN	CP
ET487R	S L	\$2746	3425	—	—	—	—
	C	\$3304	3982	—	—	—	—
	W	\$3540	4216	—	—	—	—
	M	\$4983	5659	—	—	—	—
	G	\$10094	11245	—	—	—	—
	SW	\$6857	8202	—	—	—	—

		CR	CA	CB	CD	CE
ET487R	S L	\$3085	3762	—	—	—
	C	\$3642	4319	—	—	—
	W	\$3879	4556	—	—	—
	M	\$5323	6000	—	—	—
	G	\$11303	12466	—	—	—
	SW	\$7529	8272	—	—	—

		NG	C2	C3	CM	CN	CP
ET488R	S L	\$2925	3601	—	—	—	—
	C	\$3568	4246	—	—	—	—
	W	\$3920	4600	—	—	—	—
	M	\$5014	5690	—	—	—	—
	G	\$11344	12511	—	—	—	—
	SW	\$7394	8873	—	—	—	—

		CR	CA	CB	CD	CE
ET488R	S L	\$3262	3942	—	—	—
	C	\$3908	4586	—	—	—
	W	\$4263	4938	—	—	—
	M	\$5350	6031	—	—	—
	G	\$12554	13718	—	—	—
	SW	\$8067	8809	—	—	—

		NG	C2	C3	CM	CN	CP
ET442R	S L	\$3065	3745	—	—	—	—
	C	\$3642	4319	—	—	—	—
	W	\$3931	4607	—	—	—	—
	M	\$5983	6664	—	—	—	—
	G	\$11344	12511	—	—	—	—
	SW	\$9008	10351	—	—	—	—

		CR	CA	CB	CD	CE
ET442R	S L	\$3405	4084	—	—	—
	C	\$3982	4658	—	—	—
	W	\$4267	4945	—	—	—
	M	\$6323	7001	—	—	—
	G	\$12554	13718	—	—	—
	SW	\$9109	9852	—	—	—

		NG	C2	C3	CM	CN	CP
ET443R	S L	\$3136	3813	—	—	—	—
	C	\$3746	4423	—	—	—	—
	W	\$4085	4762	—	—	—	—
	M	\$6013	6691	—	—	—	—
	G	\$12848	13999	—	—	—	—
	SW	\$9008	10351	—	—	—	—

Eames® Standing Height Table,
 Rectangular *continued*

		CR	CA	CB	CD	CE
ET443R S	L	\$3476	4153	—	—	—
	C	\$4085	4762	—	—	—
	W	\$4423	5102	—	—	—
	M	\$6355	7031	—	—	—
	G	\$14056	15221	—	—	—
	SW	\$9680	10422	—	—	—

		NG	C2	C3	CM	CN	CP
ET444R S	L	\$3266	3945	—	—	—	—
	C	\$4010	4688	—	—	—	—
	W	\$4437	5117	—	—	—	—
	M	\$6060	6737	—	—	—	—
	G	\$14337	15500	—	—	—	—

		CR	CA	CB	CD	CE
ET444R S	L	\$3604	4282	—	—	—
	C	\$4351	5026	—	—	—
	W	\$4777	5453	—	—	—
	M	\$6396	7076	—	—	—
	G	\$15561	16710	—	—	—

		NG	C2	C3	CM	CN	CP
ET489R S	L	\$3477	4154	—	—	—	—
	C	\$4246	4923	—	—	—	—
	W	\$4556	5235	—	—	—	—
	M	\$6088	6766	—	—	—	—
	G	\$15943	17106	—	—	—	—

		CR	CA	CB	CD	CE
ET489R S	L	\$3814	4494	—	—	—
	C	\$4586	5263	—	—	—
	W	\$4893	5573	—	—	—
	M	\$6425	7103	—	—	—
	G	\$17166	18314	—	—	—

		NG	C2	C3	CM	CN	CP
ET450R S	L	\$3612	4290	—	—	—	—
	C	\$4145	4822	—	—	—	—
	W	\$4629	5307	—	—	—	—
	M	\$6031	6707	—	—	—	—
	G	\$13437	14603	—	—	—	—

		CR	CA	CB	CD	CE
ET450R S	L	\$3950	4628	—	—	—
	C	\$4481	5159	—	—	—
	W	\$4968	5646	—	—	—
	M	\$6366	7046	—	—	—
	G	\$14662	15810	—	—	—

		NG	C2	C3	CM	CN	CP
ET451R S	L	\$3710	4391	—	—	—	—
	C	\$4196	4876	—	—	—	—
	W	\$4671	5346	—	—	—	—
	M	\$6042	6719	—	—	—	—
	G	\$14337	15500	—	—	—	—

		CR	CA	CB	CD	CE
ET451R S	L	\$4051	4727	—	—	—
	C	\$4535	5212	—	—	—
	W	\$5008	5686	—	—	—
	M	\$6384	7060	—	—	—
	G	\$15561	16710	—	—	—

		NG	C2	C3	CM	CN	CP
ET452R S	L	\$3785	4463	—	—	—	—
	C	\$4377	5055	—	—	—	—
	W	\$4820	5497	—	—	—	—
	M	\$9549	10228	—	—	—	—
	G	\$15251	16400	—	—	—	—

		CR	CA	CB	CD	CE
ET452R S	L	\$4122	4800	—	—	—
	C	\$4717	5392	—	—	—
	W	\$5158	5835	—	—	—
	M	\$9888	10566	—	—	—
	G	\$16459	17621	—	—	—

		NG	C2	C3	CM	CN	CP
ET445R S	L	\$3827	4503	—	—	—	—
	C	\$4420	5099	—	—	—	—
	W	\$4872	5550	—	—	—	—
	M	\$9549	10228	—	—	—	—
	G	\$16650	18593	—	—	—	—

Eames® Standing Height Table,
Rectangular *continued*

Eames® Tables

		CR	CA	CB	CD	CE
ET445R S	L	\$4165	4842	—	—	—
	C	\$4759	5437	—	—	—
	W	\$5210	5887	—	—	—
	M	\$9888	10566	—	—	—
	G	\$18388	20344	—	—	—

		NG	C2	C3	CM	CN	CP
ET454R S	L	\$4267	4945	—	—	—	—
	C	\$4880	5556	—	—	—	—
	W	\$5322	5998	—	—	—	—
	M	\$9579	10257	—	—	—	—
	G	\$18699	20655	—	—	—	—

		CR	CA	CB	CD	CE
ET454R S	L	\$4607	5284	—	—	—
	C	\$5215	5895	—	—	—
	W	\$5658	6335	—	—	—
	M	\$9918	10596	—	—	—
	G	\$20448	22394	—	—	—

		NG	C2	C3	CM	CN	CP
ET447R S	L	\$4354	5032	—	—	—	—
	C	\$4971	5651	—	—	—	—
	W	\$5488	6167	—	—	—	—
	M	\$9622	10301	—	—	—	—
	G	\$21055	23041	—	—	—	—

		CR	CA	CB	CD	CE
ET447R S	L	\$4695	5371	—	—	—
	C	\$5313	5989	—	—	—
	W	\$5829	6504	—	—	—
	M	\$9962	10640	—	—	—
	G	\$22807	24750	—	—	—

		NG	C2	C3	CM	CN	CP
ET455R S	L	\$5108	5787	—	—	—	—
	C	\$5760	6438	—	—	—	—
	W	\$6351	7028	—	—	—	—
	G	\$22069	24029	—	—	—	—

		CR	CA	CB	CD	CE
ET455R S	L	\$5447	6124	—	—	—
	C	\$6100	6776	—	—	—
	W	\$6688	7366	—	—	—
	G	\$23925	25781	—	—	—

		NG	C2	C3	CM	CN	CP
ET456R S	L	\$5169	5846	—	—	—	—
	C	\$5938	6615	—	—	—	—
	W	\$6601	7277	—	—	—	—
	G	\$23393	25355	—	—	—	—

		CR	CA	CB	CD	CE
ET456R S	L	\$5508	6185	—	—	—
	C	\$6277	6953	—	—	—
	W	\$6941	7617	—	—	—
	G	\$25149	27109	—	—	—

		NG	C2	C3	CM	CN	CP
ET457R S	L	\$6635	7312	—	—	—	—
	C	\$7360	8038	—	—	—	—
	W	\$8135	8810	—	—	—	—
	G	\$26047	28006	—	—	—	—

		CR	CA	CB	CD	CE
ET457R S	L	\$6975	7650	—	—	—
	C	\$7700	8378	—	—	—
	W	\$8474	9151	—	—	—
	G	\$27801	29757	—	—	—

		NG	C2	C3	CM	CN	CP
ET458R S	L	\$7494	8171	—	8171	—	—
	C	\$8362	9041	—	9041	—	—
	W	\$9244	9925	—	9925	—	—
	G	\$29757	31703	—	31777	—	—

		CR	CA	CB	CD	CE
ET458R S	L	—	—	\$8848	—	—
	C	—	—	\$9718	—	—
	W	—	—	\$10601	—	—
	G	—	—	\$33736	—	—

		NG	C2	C3	CM	CN	CP
ET460R S	L	\$8082	8759	—	8759	—	—
	C	\$8978	9655	—	9655	—	—
	W	\$10008	10685	—	10685	—	—

		CR	CA	CB	CD	CE
ET460R S	L	—	—	\$9437	—	—
	C	—	—	\$10333	—	—
	W	—	—	\$11361	—	—

Eames® Standing Height Table,
Rectangular *continued*

		NG	C2	C3	CM	CN	CP
ET461R S	L	\$8744	9423	—	9423	—	—
	C	\$9673	10351	—	10351	—	—
	W	\$10815	11493	—	11493	—	—

			CR	CA	CB	CD	CE
ET461R S	L		—	—	\$10098	—	—
	C		—	—	\$11028	—	—
	W		—	—	\$12169	—	—

		NG	C2	C3	CM	CN	CP
ET462R S	L	\$9536	10216	—	10216	—	—
	C	\$10611	11290	—	11290	—	—
	W	\$11864	12541	—	12541	—	—

			CR	CA	CB	CD	CE
ET462R S	L		—	—	\$10893	—	—
	C		—	—	\$11968	—	—
	W		—	—	\$13218	—	—

		NG	C2	C3	CM	CN	CP
ET464R S	L	\$10632	11307	—	—	—	11648
	C	\$11960	12638	—	—	—	12978
	W	\$13361	14039	—	—	—	14376

			CR	CA	CB	CD	CE
ET464R S	L		—	—	—	—	\$12327
	C		—	—	—	—	\$13654
	W		—	—	—	—	\$15054

		NG	C2	C3	CM	CN	CP
ET466R S	L	\$11798	—	12813	—	13153	—
	C	\$13174	—	14191	—	14527	—
	W	\$14720	—	15736	—	16075	—

			CR	CA	CB	CD	CE
ET466R S	L		—	—	—	\$14166	—
	C		—	—	—	\$15543	—
	W		—	—	—	\$17090	—

		NG	C2	C3	CM	CN	CP
ET468R S	L	\$12939	—	13953	—	14292	—
	C	\$14369	—	15386	—	15724	—
	W	\$16063	—	17080	—	17419	—

			CR	CA	CB	CD	CE
ET468R S	L		—	—	—	\$15310	—
	C		—	—	—	\$16743	—
	W		—	—	—	\$18434	—

		NG	C2	C3	CM	CN	CP
ET470R S	L	\$14047	—	15065	—	15401	—
	C	\$15743	—	16760	—	17100	—
	W	\$17585	—	18603	—	18940	—

			CR	CA	CB	CD	CE
ET470R S	L		—	—	—	\$16417	—
	C		—	—	—	\$18115	—
	W		—	—	—	\$19958	—

		NG	C2	C3	CM	CN	CP
ET471R S	L	\$13999	14675	—	14675	—	—
	C	\$16945	17621	—	17621	—	—
	W	\$17976	18652	—	18652	—	—
	G	\$36875	38821	—	38891	—	—

			CR	CA	CB	CD	CE
ET471R S	L		—	—	\$15354	—	—
	C		—	—	\$18298	—	—
	W		—	—	\$19328	—	—
	G		—	—	\$40851	—	—

		NG	C2	C3	CM	CN	CP
ET472R S	L	\$14584	15262	—	15262	—	—
	C	\$17829	18505	—	18505	—	—
	W	\$19004	19685	—	19685	—	—

			CR	CA	CB	CD	CE
ET472R S	L		—	—	\$15940	—	—
	C		—	—	\$19183	—	—
	W		—	—	\$20362	—	—

		NG	C2	C3	CM	CN	CP
ET473R S	L	\$15027	15705	—	15705	—	—
	C	\$18566	19242	—	19242	—	—
	W	\$19854	20530	—	20530	—	—

			CR	CA	CB	CD	CE
ET473R S	L		—	—	\$16381	—	—
	C		—	—	\$19919	—	—
	W		—	—	\$21207	—	—

Eames® Tables

Eames® Standing Height Table,
Rectangular *continued*

Eames® Tables

		NG	C2	C3	CM	CN	CP
ET474R S	L	\$15616	16296	—	16296	—	—
	C	\$19448	20125	—	20125	—	—
	W	\$20848	21526	—	21526	—	—

		CR	CA	CB	CD	CE
ET474R S	L	—	—	\$16971	—	—
	C	—	—	\$20801	—	—
	W	—	—	\$22202	—	—

		NG	C2	C3	CM	CN	CP
ET475R S	L	\$18566	19242	—	—	—	19581
	C	\$25930	26606	—	—	—	26946
	W	\$27477	28155	—	—	—	28492

		CR	CA	CB	CD	CE
ET475R S	L	—	—	—	—	\$20257
	C	—	—	—	—	\$27624
	W	—	—	—	—	\$29170

		NG	C2	C3	CM	CN	CP
ET476R S	L	\$22541	—	23558	—	23896	—
	C	\$32265	—	33280	—	33618	—
	W	\$33957	—	34972	—	35313	—

		CR	CA	CB	CD	CE
ET476R S	L	—	—	—	\$24913	—
	C	—	—	—	\$34637	—
	W	—	—	—	\$36330	—

		NG	C2	C3	CM	CN	CP
ET477R S	L	\$24456	—	25472	—	25814	—
	C	\$34325	—	35343	—	35680	—
	W	\$36167	—	37182	—	37522	—

		CR	CA	CB	CD	CE
ET477R S	L	—	—	—	\$26829	—
	C	—	—	—	\$36697	—
	W	—	—	—	\$38539	—

		NG	C2	C3	CM	CN	CP
ET478R S	L	\$24898	—	25914	—	26253	—
	C	\$35649	—	36665	—	37005	—
	W	\$37641	—	38654	—	38995	—

		CR	CA	CB	CD	CE
ET478R S	L	—	—	—	\$27270	—
	C	—	—	—	\$38023	—
	W	—	—	—	\$40011	—

		NG	C2	C3	CM	CN	CP
ET587R S	L	\$2746	3425	—	—	—	—
	C	\$3304	3982	—	—	—	—
	W	\$3540	4216	—	—	—	—
	M	\$4983	5659	—	—	—	—
	G	\$10094	11245	—	—	—	—
	SW	\$6857	8202	—	—	—	—

		CR	CA	CB	CD	CE
ET587R S	L	\$3085	3762	—	—	—
	C	\$3642	4319	—	—	—
	W	\$3879	4556	—	—	—
	M	\$5323	6000	—	—	—
	G	\$11303	12466	—	—	—
	SW	\$7529	8272	—	—	—

		NG	C2	C3	CM	CN	CP
ET588R S	L	\$2925	3601	—	—	—	—
	C	\$3568	4246	—	—	—	—
	W	\$3920	4600	—	—	—	—
	M	\$5014	5690	—	—	—	—
	G	\$11344	12511	—	—	—	—
	SW	\$7394	8873	—	—	—	—

		CR	CA	CB	CD	CE
ET588R S	L	\$3262	3942	—	—	—
	C	\$3908	4586	—	—	—
	W	\$4263	4938	—	—	—
	M	\$5350	6031	—	—	—
	G	\$12554	13718	—	—	—
	SW	\$8067	8809	—	—	—

		NG	C2	C3	CM	CN	CP
ET542R S	L	\$3065	3745	—	—	—	—
	C	\$3642	4319	—	—	—	—
	W	\$3931	4607	—	—	—	—
	M	\$5983	6664	—	—	—	—
	G	\$11344	12511	—	—	—	—
	SW	\$8437	9781	—	—	—	—

Eames® Standing Height Table,
Rectangular *continued*

		CR	CA	CB	CD	CE
ET542R S	L	\$3405	4084	—	—	—
	C	\$3982	4658	—	—	—
	W	\$4267	4945	—	—	—
	M	\$6323	7001	—	—	—
	G	\$12554	13718	—	—	—
	SW	\$9109	9852	—	—	—

		NG	C2	C3	CM	CN	CP
ET543R S	L	\$3136	3813	—	—	—	—
	C	\$3746	4423	—	—	—	—
	W	\$4085	4762	—	—	—	—
	M	\$6013	6691	—	—	—	—
	G	\$12848	13999	—	—	—	—
	SW	\$9008	10351	—	—	—	—

		CR	CA	CB	CD	CE
ET543R S	L	\$3476	4153	—	—	—
	C	\$4085	4762	—	—	—
	W	\$4423	5102	—	—	—
	M	\$6355	7031	—	—	—
	G	\$14056	15221	—	—	—
	SW	\$9680	10422	—	—	—

		NG	C2	C3	CM	CN	CP
ET544R S	L	\$3266	3945	—	—	—	—
	C	\$4010	4688	—	—	—	—
	W	\$4437	5117	—	—	—	—
	M	\$6060	6737	—	—	—	—
	G	\$14337	15500	—	—	—	—

		CR	CA	CB	CD	CE
ET544R S	L	\$3604	4282	—	—	—
	C	\$4351	5026	—	—	—
	W	\$4777	5453	—	—	—
	M	\$6396	7076	—	—	—
	G	\$15561	16710	—	—	—

		NG	C2	C3	CM	CN	CP
ET589R S	L	\$3477	4154	—	—	—	—
	C	\$4246	4923	—	—	—	—
	W	\$4556	5235	—	—	—	—
	M	\$6088	6766	—	—	—	—
	G	\$15943	17106	—	—	—	—

		CR	CA	CB	CD	CE
ET589R S	L	\$3814	4494	—	—	—
	C	\$4586	5263	—	—	—
	W	\$4893	5573	—	—	—
	M	\$6425	7103	—	—	—
	G	\$17166	18314	—	—	—

		NG	C2	C3	CM	CN	CP
ET550R S	L	\$3612	4290	—	—	—	—
	C	\$4145	4822	—	—	—	—
	W	\$4629	5307	—	—	—	—
	M	\$6031	6707	—	—	—	—
	G	\$13437	14603	—	—	—	—

		CR	CA	CB	CD	CE
ET550R S	L	\$3950	4628	—	—	—
	C	\$4481	5159	—	—	—
	W	\$4968	5646	—	—	—
	M	\$6366	7046	—	—	—
	G	\$14662	15810	—	—	—

		NG	C2	C3	CM	CN	CP
ET551R S	L	\$3710	4391	—	—	—	—
	C	\$4196	4876	—	—	—	—
	W	\$4671	5346	—	—	—	—
	M	\$6042	6719	—	—	—	—
	G	\$14337	15500	—	—	—	—

		CR	CA	CB	CD	CE
ET551R S	L	\$4051	4727	—	—	—
	C	\$4535	5212	—	—	—
	W	\$5008	5686	—	—	—
	M	\$6384	7060	—	—	—
	G	\$15561	16710	—	—	—

		NG	C2	C3	CM	CN	CP
ET552R S	L	\$3785	4463	—	—	—	—
	C	\$4377	5055	—	—	—	—
	W	\$4820	5497	—	—	—	—
	M	\$9549	10228	—	—	—	—
	G	\$15251	16400	—	—	—	—

Eames® Tables

Eames® Standing Height Table,
Rectangular *continued*

Eames® Tables

		CR	CA	CB	CD	CE
ET552R S	L	\$4122	4800	—	—	—
	C	\$4717	5392	—	—	—
	W	\$5158	5835	—	—	—
	M	\$9888	10566	—	—	—
	G	\$16459	17621	—	—	—

		NG	C2	C3	CM	CN	CP
ET545R S	L	\$3827	4503	—	—	—	—
	C	\$4420	5099	—	—	—	—
	W	\$4872	5550	—	—	—	—
	M	\$9549	10228	—	—	—	—
	G	\$16650	18593	—	—	—	—

		CR	CA	CB	CD	CE
ET545R S	L	\$4165	4842	—	—	—
	C	\$4759	5437	—	—	—
	W	\$5210	5887	—	—	—
	M	\$9888	10566	—	—	—
	G	\$18388	20344	—	—	—

		NG	C2	C3	CM	CN	CP
ET545R S	L	\$4267	4945	—	—	—	—
	C	\$4880	5556	—	—	—	—
	W	\$5322	5998	—	—	—	—
	M	\$9579	10257	—	—	—	—
	G	\$18699	20655	—	—	—	—

		CR	CA	CB	CD	CE
ET545R S	L	\$4607	5284	—	—	—
	C	\$5215	5895	—	—	—
	W	\$5658	6335	—	—	—
	M	\$9918	10596	—	—	—
	G	\$20448	22394	—	—	—

		NG	C2	C3	CM	CN	CP
ET547R S	L	\$4354	5032	—	—	—	—
	C	\$4971	5651	—	—	—	—
	W	\$5488	6167	—	—	—	—
	M	\$9622	10301	—	—	—	—
	G	\$21055	23041	—	—	—	—

		CR	CA	CB	CD	CE
ET547R S	L	\$4695	5371	—	—	—
	C	\$5313	5989	—	—	—
	W	\$5829	6504	—	—	—
	M	\$9962	10640	—	—	—
	G	\$22807	24750	—	—	—

		NG	C2	C3	CM	CN	CP
ET555R S	L	\$5108	5787	—	—	—	—
	C	\$5760	6438	—	—	—	—
	W	\$6351	7028	—	—	—	—
	G	\$22069	24029	—	—	—	—

		CR	CA	CB	CD	CE
ET555R S	L	\$5447	6124	—	—	—
	C	\$6100	6776	—	—	—
	W	\$6688	7366	—	—	—
	G	\$23925	25781	—	—	—

		NG	C2	C3	CM	CN	CP
ET556R S	L	\$5169	5846	—	—	—	—
	C	\$5938	6615	—	—	—	—
	W	\$6601	7277	—	—	—	—
	G	\$23393	25355	—	—	—	—

		CR	CA	CB	CD	CE
ET556R S	L	\$5508	6185	—	—	—
	C	\$6277	6953	—	—	—
	W	\$6941	7617	—	—	—
	G	\$25149	27109	—	—	—

		NG	C2	C3	CM	CN	CP
ET557R S	L	\$6635	7312	—	—	—	—
	C	\$7360	8038	—	—	—	—
	W	\$8135	8810	—	—	—	—
	G	\$26047	28006	—	—	—	—

		CR	CA	CB	CD	CE
ET557R S	L	\$6975	7650	—	—	—
	C	\$7700	8378	—	—	—
	W	\$8474	9151	—	—	—
	G	\$27801	29757	—	—	—

Eames® Standing Height Table,
Rectangular *continued*

		NG	C2	C3	CM	CN	CP
ET558R S	L	\$7494	8171	—	8171	—	—
	C	\$8362	9041	—	9041	—	—
	W	\$9244	9925	—	9925	—	—
	G	\$29757	31703	—	31777	—	—
		CR	CA	CB	CD	CE	
ET558R S	L	—	—	\$8848	—	—	—
	C	—	—	\$9718	—	—	—
	W	—	—	\$10601	—	—	—
	G	—	—	\$33736	—	—	—
		NG	C2	C3	CM	CN	CP
ET560R S	L	\$8082	8759	—	8759	—	—
	C	\$8978	9655	—	9655	—	—
	W	\$10008	10685	—	10685	—	—
		CR	CA	CB	CD	CE	
ET560R S	L	—	—	\$9437	—	—	—
	C	—	—	\$10333	—	—	—
	W	—	—	\$11361	—	—	—
		NG	C2	C3	CM	CN	CP
ET561R S	L	\$8744	9423	—	9423	—	—
	C	\$9673	10351	—	10351	—	—
	W	\$10815	11493	—	11493	—	—
		CR	CA	CB	CD	CE	
ET561R S	L	—	—	\$10098	—	—	—
	C	—	—	\$11028	—	—	—
	W	—	—	\$12169	—	—	—
		NG	C2	C3	CM	CN	CP
ET562R S	L	\$9536	10216	—	10216	—	—
	C	\$10611	11290	—	11290	—	—
	W	\$11864	12541	—	12541	—	—
		CR	CA	CB	CD	CE	
ET562R S	L	—	—	\$10893	—	—	—
	C	—	—	\$11968	—	—	—
	W	—	—	\$13218	—	—	—
		NG	C2	C3	CM	CN	CP
ET564R S	L	\$10632	11307	—	—	—	11648
	C	\$11960	12638	—	—	—	12978
	W	\$13361	14039	—	—	—	14376

		CR	CA	CB	CD	CE	
ET564R S	L	—	—	—	—	\$12327	
	C	—	—	—	—	\$13654	
	W	—	—	—	—	\$15054	
		NG	C2	C3	CM	CN	CP
ET566R S	L	\$11798	—	12813	—	13153	—
	C	\$13174	—	14191	—	14527	—
	W	\$14720	—	15736	—	16075	—
		CR	CA	CB	CD	CE	
ET566R S	L	—	—	—	\$14166	—	
	C	—	—	—	\$15543	—	
	W	—	—	—	\$17090	—	
		NG	C2	C3	CM	CN	CP
ET568R S	L	\$12939	—	13953	—	14292	—
	C	\$14369	—	15386	—	15724	—
	W	\$16063	—	17080	—	17419	—
		CR	CA	CB	CD	CE	
ET568R S	L	—	—	—	\$15310	—	
	C	—	—	—	\$16743	—	
	W	—	—	—	\$18434	—	
		NG	C2	C3	CM	CN	CP
ET570R S	L	\$14047	—	15065	—	15401	—
	C	\$15743	—	16760	—	17100	—
	W	\$17585	—	18603	—	18940	—
		CR	CA	CB	CD	CE	
ET570R S	L	—	—	—	\$16417	—	
	C	—	—	—	\$18115	—	
	W	—	—	—	\$19958	—	
		NG	C2	C3	CM	CN	CP
ET571R S	L	\$13999	14675	—	14675	—	—
	C	\$16945	17621	—	17621	—	—
	W	\$17976	18652	—	18652	—	—
	G	\$36875	38821	—	38891	—	—
		CR	CA	CB	CD	CE	
ET571R S	L	—	—	\$15354	—	—	
	C	—	—	\$18298	—	—	
	W	—	—	\$19328	—	—	
	G	—	—	\$40851	—	—	

Eames® Standing Height Table,
Rectangular *continued*

Eames® Tables

		NG	C2	C3	CM	CN	CP
ET572R S	L	\$14584	15262	—	15262	—	—
	C	\$17829	18505	—	18505	—	—
	W	\$19004	19685	—	19685	—	—

		CR	CA	CB	CD	CE
ET572R S	L	—	—	\$15940	—	—
	C	—	—	\$19183	—	—
	W	—	—	\$20362	—	—

		NG	C2	C3	CM	CN	CP
ET573R S	L	\$15027	15705	—	15705	—	—
	C	\$18566	19242	—	19242	—	—
	W	\$19854	20530	—	20530	—	—

		CR	CA	CB	CD	CE
ET573R S	L	—	—	\$16381	—	—
	C	—	—	\$19919	—	—
	W	—	—	\$21207	—	—

		NG	C2	C3	CM	CN	CP
ET574R S	L	\$15616	16296	—	16296	—	—
	C	\$19448	20125	—	20125	—	—
	W	\$20848	21526	—	21526	—	—

		CR	CA	CB	CD	CE
ET574R S	L	—	—	\$16971	—	—
	C	—	—	\$20801	—	—
	W	—	—	\$22202	—	—

		NG	C2	C3	CM	CN	CP
ET575R S	L	\$18566	19242	—	—	—	19581
	C	\$25930	26606	—	—	—	26946
	W	\$27477	28155	—	—	—	28492

		CR	CA	CB	CD	CE
ET575R S	L	—	—	—	—	\$20257
	C	—	—	—	—	\$27624
	W	—	—	—	—	\$29170

		NG	C2	C3	CM	CN	CP
ET576R S	L	\$22541	—	23558	—	23896	—
	C	\$32265	—	33280	—	33618	—
	W	\$33957	—	34972	—	35313	—

		CR	CA	CB	CD	CE
ET576R S	L	—	—	—	\$24913	—
	C	—	—	—	\$34637	—
	W	—	—	—	\$36330	—

		NG	C2	C3	CM	CN	CP
ET577R S	L	\$24456	—	25472	—	25814	—
	C	\$34325	—	35343	—	35680	—
	W	\$36167	—	37182	—	37522	—

		CR	CA	CB	CD	CE
ET577R S	L	—	—	—	\$26829	—
	C	—	—	—	\$36697	—
	W	—	—	—	\$38539	—

		NG	C2	C3	CM	CN	CP
ET578R S	L	\$24898	—	25914	—	26253	—
	C	\$35649	—	36665	—	37005	—
	W	\$37641	—	38654	—	38995	—

		CR	CA	CB	CD	CE
ET578R S	L	—	—	—	\$27270	—
	C	—	—	—	\$38023	—
	W	—	—	—	\$40011	—

Step 7.

Top Finish: Finish

For back-painted glass top (G)

8Q	folkstone grey (CP)	+\$0
91	white (CP)	+\$0
BK	black	+\$0
WN	warm grey neutral	+\$0

Top Finish: Finish

For thin profile HPL top with black edge (M)

91	white (CP)	+\$0
G1	graphite (CP)	+\$0
BK	black	+\$0

Eames® Standing Height Table,
Rectangular *continued*

Top Finish: Solid-Color Laminate		
<i>For high-pressure laminate top with vinyl edge (L)</i>		
8Q	folkstone grey (CP)	+\$0
91	white (CP)	+\$0
98	studio white (CP)	+\$0
BKM	black matte	+\$0
CL	cool grey neutral	+\$0
HF	inner tone light	+\$0
LT	light tone	+\$0
LU	soft white	+\$0
WL	warm stone (CP)	+\$0
WN	warm grey neutral	+\$0

Top Finish		
<i>For 30" deep x 60" wide (87R) with solid wood top (SW)</i>		
OU	walnut A	+\$575
WHN	natural white oak A	+\$0

Top Finish		
<i>For 30" deep x 72" wide (88R) with solid wood top (SW)</i>		
OU	walnut A	+\$675
WHN	natural white oak A	+\$0

Top Finish		
<i>For 36" deep x 60" wide (42R) with solid wood top (SW)</i>		
OU	walnut A	+\$700
WHN	natural white oak A	+\$0

Top Finish		
<i>For 36" deep x 72" wide (43R) with solid wood top (SW)</i>		
OU	walnut A	+\$815
WHN	natural white oak A	+\$0

Top Finish: Wood Veneer		
<i>For 30" deep x 60" wide (87R) with veneer top with vinyl edge (C)</i>		
2U	light brown walnut	+\$250
40	dark brown walnut	+\$250
9N	santos palisander	+\$950
A2	white ash	+\$250
CHD	noble cherry	+\$250
EN	ebony	+\$250
OU	walnut	+\$250
UL	natural maple	+\$250
WHN	natural white oak	+\$0

Top Finish: Wood Veneer		
<i>For 30" deep x 72" wide (88R) with veneer top with vinyl edge (C)</i>		
2U	light brown walnut	+\$265
40	dark brown walnut	+\$265
9N	santos palisander	+\$1009
A2	white ash	+\$265
CHD	noble cherry	+\$265
EN	ebony	+\$265
OU	walnut	+\$265
UL	natural maple	+\$265
WHN	natural white oak	+\$0

Top Finish: Wood Veneer		
<i>For 36" deep x 60" wide (42R) with veneer top with vinyl edge (C)</i>		
2U	light brown walnut	+\$265
40	dark brown walnut	+\$265
9N	santos palisander	+\$1009
A2	white ash	+\$265
CHD	noble cherry	+\$265
EN	ebony	+\$265
OU	walnut	+\$265
UL	natural maple	+\$265
WHN	natural white oak	+\$0

Top Finish: Wood Veneer		
<i>For 36" deep x 72" wide (43R) with veneer top with vinyl edge (C)</i>		
2U	light brown walnut	+\$290
40	dark brown walnut	+\$290
9N	santos palisander	+\$1104
A2	white ash	+\$290
CHD	noble cherry	+\$290
EN	ebony	+\$290
OU	walnut	+\$290
UL	natural maple	+\$290
WHN	natural white oak	+\$0

Top Finish: Wood Veneer		
<i>For 36" deep x 84" wide (44R) with veneer top with vinyl edge (C)</i>		
2U	light brown walnut	+\$305
40	dark brown walnut	+\$305
9N	santos palisander	+\$1161
A2	white ash	+\$305
CHD	noble cherry	+\$305
EN	ebony	+\$305
OU	walnut	+\$305
UL	natural maple	+\$305
WHN	natural white oak	+\$0

Eames® Standing Height Table,
Rectangular *continued*

Eames® Tables

Top Finish: Wood Veneer		
<i>For 36" deep x 96" wide (89R) with veneer top with vinyl edge (C)</i>		
2U	light brown walnut	+\$330
40	dark brown walnut	+\$330
9N	santos palisander	+\$1420
A2	white ash	+\$330
CHD	noble cherry	+\$330
EN	ebony	+\$330
OU	walnut	+\$330
UL	natural maple	+\$330
WHN	natural white oak	+\$0

Top Finish: Wood Veneer		
<i>For 42" deep x 66" wide (50R) with veneer top with vinyl edge (C)</i>		
2U	light brown walnut	+\$290
40	dark brown walnut	+\$290
9N	santos palisander	+\$1160
A2	white ash	+\$290
CHD	noble cherry	+\$290
EN	ebony	+\$290
OU	walnut	+\$290
UL	natural maple	+\$290
WHN	natural white oak	+\$0

Top Finish: Wood Veneer		
<i>For 42" deep x 72" wide (51R) with veneer top with vinyl edge (C)</i>		
2U	light brown walnut	+\$305
40	dark brown walnut	+\$305
9N	santos palisander	+\$1220
A2	white ash	+\$305
CHD	noble cherry	+\$305
EN	ebony	+\$305
OU	walnut	+\$305
UL	natural maple	+\$305
WHN	natural white oak	+\$0

Top Finish: Wood Veneer		
<i>For 42" deep x 78" wide (52R) with veneer top with vinyl edge (C)</i>		
2U	light brown walnut	+\$330
40	dark brown walnut	+\$330
9N	santos palisander	+\$1320
A2	white ash	+\$330
CHD	noble cherry	+\$330
EN	ebony	+\$330
OU	walnut	+\$330
UL	natural maple	+\$330
WHN	natural white oak	+\$0

Top Finish: Wood Veneer		
<i>For 42" deep x 84" wide (45R) with veneer top with vinyl edge (C)</i>		
2U	light brown walnut	+\$330
40	dark brown walnut	+\$330
9N	santos palisander	+\$1320
A2	white ash	+\$330
CHD	noble cherry	+\$330
EN	ebony	+\$330
OU	walnut	+\$330
UL	natural maple	+\$330
WHN	natural white oak	+\$0

Top Finish: Wood Veneer		
<i>For 48" deep x 84" wide (54R) with veneer top with vinyl edge (C)</i>		
2U	light brown walnut	+\$385
40	dark brown walnut	+\$385
9N	santos palisander	+\$1656
A2	white ash	+\$385
CHD	noble cherry	+\$385
EN	ebony	+\$385
OU	walnut	+\$385
UL	natural maple	+\$385
WHN	natural white oak	+\$0

Top Finish: Wood Veneer		
<i>For 48" deep x 96" wide (47R) with veneer top with vinyl edge (C)</i>		
2U	light brown walnut	+\$385
40	dark brown walnut	+\$385
9N	santos palisander	+\$1656
A2	white ash	+\$385
CHD	noble cherry	+\$385
EN	ebony	+\$385
OU	walnut	+\$385
UL	natural maple	+\$385
WHN	natural white oak	+\$0

Top Finish: Wood Veneer		
<i>For 54" deep x 90" wide (55R) with veneer top with vinyl edge (C)</i>		
2U	light brown walnut	+\$425
40	dark brown walnut	+\$425
9N	santos palisander	+\$1700
A2	white ash	+\$425
CHD	noble cherry	+\$425
EN	ebony	+\$425
OU	walnut	+\$425
UL	natural maple	+\$425
WHN	natural white oak	+\$0

Eames® Standing Height Table,
Rectangular *continued*

Top Finish: Wood Veneer		
<i>For 54" deep x 96" wide (56R) with veneer top with vinyl edge (C)</i>		
2U	light brown walnut	+\$440
40	dark brown walnut	+\$440
9N	santos palisander	+\$1760
A2	white ash	+\$440
CHD	noble cherry	+\$440
EN	ebony	+\$440
OU	walnut	+\$440
UL	natural maple	+\$440
WHN	natural white oak	+\$0

Top Finish: Wood Veneer		
<i>For 54" deep x 108" wide (57R) with veneer top with vinyl edge (C)</i>		
2U	light brown walnut	+\$500
40	dark brown walnut	+\$500
9N	santos palisander	+\$2350
A2	white ash	+\$500
CHD	noble cherry	+\$500
EN	ebony	+\$500
OU	walnut	+\$500
UL	natural maple	+\$500
WHN	natural white oak	+\$0

Top Finish: Wood Veneer		
<i>For 54" deep x 120" wide (58R) with veneer top with vinyl edge (C)</i>		
2U	light brown walnut	+\$540
40	dark brown walnut	+\$540
9N	santos palisander	+\$2538
A2	white ash	+\$540
CHD	noble cherry	+\$540
EN	ebony	+\$540
OU	walnut	+\$540
UL	natural maple	+\$540
WHN	natural white oak	+\$0

Top Finish: Wood Veneer		
<i>For 54" deep x 144" wide (60R) with veneer top with vinyl edge (C)</i>		
2U	light brown walnut	+\$585
40	dark brown walnut	+\$585
9N	santos palisander	+\$2750
A2	white ash	+\$585
CHD	noble cherry	+\$585
EN	ebony	+\$585
OU	walnut	+\$585
UL	natural maple	+\$585
WHN	natural white oak	+\$0

Top Finish: Wood Veneer		
<i>For 54" deep x 156" wide (61R) with veneer top with vinyl edge (C)</i>		
2U	light brown walnut	+\$635
40	dark brown walnut	+\$635
9N	santos palisander	+\$3175
A2	white ash	+\$635
CHD	noble cherry	+\$635
EN	ebony	+\$635
OU	walnut	+\$635
UL	natural maple	+\$635
WHN	natural white oak	+\$0

Top Finish: Wood Veneer		
<i>For 54" deep x 168" wide (62R) with veneer top with vinyl edge (C)</i>		
2U	light brown walnut	+\$690
40	dark brown walnut	+\$690
9N	santos palisander	+\$3450
A2	white ash	+\$690
CHD	noble cherry	+\$690
EN	ebony	+\$690
OU	walnut	+\$690
UL	natural maple	+\$690
WHN	natural white oak	+\$0

Top Finish: Wood Veneer		
<i>For 54" deep x 192" wide (64R) with veneer top with vinyl edge (C)</i>		
2U	light brown walnut	+\$755
40	dark brown walnut	+\$755
9N	santos palisander	+\$3775
A2	white ash	+\$755
CHD	noble cherry	+\$755
EN	ebony	+\$755
OU	walnut	+\$755
UL	natural maple	+\$755
WHN	natural white oak	+\$0

Top Finish: Wood Veneer		
<i>For 54" deep x 216" wide (66R) with veneer top with vinyl edge (C)</i>		
2U	light brown walnut	+\$815
40	dark brown walnut	+\$815
9N	santos palisander	+\$4075
A2	white ash	+\$815
CHD	noble cherry	+\$815
EN	ebony	+\$815
OU	walnut	+\$815
UL	natural maple	+\$815
WHN	natural white oak	+\$0

Eames® Standing Height Table,
Rectangular *continued*

Eames® Tables

Top Finish: Wood Veneer		
<i>For 54" deep x 240" wide (68R) with veneer top with vinyl edge (C)</i>		
2U	light brown walnut	+\$880
40	dark brown walnut	+\$880
9N	santos palisander	+\$4400
A2	white ash	+\$880
CHD	noble cherry	+\$880
EN	ebony	+\$880
OU	walnut	+\$880
UL	natural maple	+\$880
WHN	natural white oak	+\$0

Top Finish: Wood Veneer		
<i>For 54" deep x 264" wide (70R) with veneer top with vinyl edge (C)</i>		
2U	light brown walnut	+\$950
40	dark brown walnut	+\$950
9N	santos palisander	+\$5320
A2	white ash	+\$950
CHD	noble cherry	+\$950
EN	ebony	+\$950
OU	walnut	+\$950
UL	natural maple	+\$950
WHN	natural white oak	+\$0

Top Finish: Wood Veneer		
<i>For 60" deep x 120" wide (71R) with veneer top with vinyl edge (C)</i>		
2U	light brown walnut	+\$680
40	dark brown walnut	+\$680
9N	santos palisander	+\$3180
A2	white ash	+\$680
CHD	noble cherry	+\$680
EN	ebony	+\$680
OU	walnut	+\$680
UL	natural maple	+\$680
WHN	natural white oak	+\$0

Top Finish: Wood Veneer		
<i>For 60" deep x 144" wide (72R) with veneer top with vinyl edge (C)</i>		
2U	light brown walnut	+\$740
40	dark brown walnut	+\$740
9N	santos palisander	+\$3440
A2	white ash	+\$740
CHD	noble cherry	+\$740
EN	ebony	+\$740
OU	walnut	+\$740
UL	natural maple	+\$740
WHN	natural white oak	+\$0

Top Finish: Wood Veneer		
<i>For 60" deep x 156" wide (73R) with veneer top with vinyl edge (C)</i>		
2U	light brown walnut	+\$800
40	dark brown walnut	+\$800
9N	santos palisander	+\$3970
A2	white ash	+\$800
CHD	noble cherry	+\$800
EN	ebony	+\$800
OU	walnut	+\$800
UL	natural maple	+\$800
WHN	natural white oak	+\$0

Top Finish: Wood Veneer		
<i>For 60" deep x 168" wide (74R) with veneer top with vinyl edge (C)</i>		
2U	light brown walnut	+\$870
40	dark brown walnut	+\$870
9N	santos palisander	+\$4320
A2	white ash	+\$870
CHD	noble cherry	+\$870
EN	ebony	+\$870
OU	walnut	+\$870
UL	natural maple	+\$870
WHN	white oak	+\$0

Top Finish: Wood Veneer		
<i>For 60" deep x 192" wide (75R) with veneer top with vinyl edge (C)</i>		
2U	light brown walnut	+\$950
40	dark brown walnut	+\$950
9N	santos palisander	+\$4720
A2	white ash	+\$950
CHD	noble cherry	+\$950
EN	ebony	+\$950
OU	walnut	+\$950
UL	natural maple	+\$950
WHN	natural white oak	+\$0

Top Finish: Wood Veneer		
<i>For 60" deep x 216" wide (76R) with veneer top with vinyl edge (C)</i>		
2U	light brown walnut	+\$1020
40	dark brown walnut	+\$1020
9N	santos palisander	+\$5100
A2	white ash	+\$1020
CHD	noble cherry	+\$1020
EN	ebony	+\$1020
OU	walnut	+\$1020
UL	natural maple	+\$1020
WHN	natural white oak	+\$0

Eames® Standing Height Table,
Rectangular *continued*

Top Finish: Wood Veneer		
<i>For 60" deep x 240" wide (77R) with veneer top with vinyl edge (C)</i>		
2U	light brown walnut	+\$1100
40	dark brown walnut	+\$1100
9N	santos palisander	+\$5500
A2	white ash	+\$1100
CHD	noble cherry	+\$1100
EN	ebony	+\$1100
OU	walnut	+\$1100
UL	natural maple	+\$1100
WHN	natural white oak	+\$0

Top Finish: Wood Veneer		
<i>For 60" deep x 264" wide (78R) with veneer top with vinyl edge (C)</i>		
2U	light brown walnut	+\$1190
40	dark brown walnut	+\$1190
9N	santos palisander	+\$6650
A2	white ash	+\$1190
CHD	noble cherry	+\$1190
EN	ebony	+\$1190
OU	walnut	+\$1190
UL	natural maple	+\$1190
WHN	natural white oak	+\$0

Top/Edge Finish		
<i>For 30" deep x 60" wide (87R) with veneer top with veneer edge (W)</i>		
2U	light brown walnut	+\$250
40	dark brown walnut	+\$250
9N	santos palisander	+\$950
A2	white ash	+\$250
CHD	noble cherry	+\$250
EN	ebony	+\$250
OU	walnut	+\$250
UL	natural maple	+\$250
WHN	natural white oak	+\$0

Top/Edge Finish		
<i>For 30" deep x 72" wide (88R) with veneer top with veneer edge (W)</i>		
2U	light brown walnut	+\$265
40	dark brown walnut	+\$265
9N	santos palisander	+\$1009
A2	white ash	+\$265
CHD	noble cherry	+\$265
EN	ebony	+\$265
OU	walnut	+\$265
UL	natural maple	+\$265
WHN	natural white oak	+\$0

Top/Edge Finish		
<i>For 36" deep x 60" wide (42R) with veneer top with veneer edge (W)</i>		
2U	light brown walnut	+\$265
40	dark brown walnut	+\$265
9N	santos palisander	+\$1009
A2	white ash	+\$265
CHD	noble cherry	+\$265
EN	ebony	+\$265
OU	walnut	+\$265
UL	natural maple	+\$265
WHN	natural white oak	+\$0

Top/Edge Finish		
<i>For 36" deep x 72" wide (43R) with veneer top with veneer edge (W)</i>		
2U	light brown walnut	+\$290
40	dark brown walnut	+\$290
9N	santos palisander	+\$1104
A2	white ash	+\$290
CHD	noble cherry	+\$290
EN	ebony	+\$290
OU	walnut	+\$290
UL	natural maple	+\$290
WHN	natural white oak	+\$0

Top/Edge Finish		
<i>For 36" deep x 84" wide (44R) with veneer top with veneer edge (W)</i>		
2U	light brown walnut	+\$305
40	dark brown walnut	+\$305
9N	santos palisander	+\$1161
A2	white ash	+\$305
CHD	noble cherry	+\$305
EN	ebony	+\$305
OU	walnut	+\$305
UL	natural maple	+\$305
WHN	natural white oak	+\$0

Top/Edge Finish		
<i>For 36" deep x 96" wide (89R) with veneer top with veneer edge (W)</i>		
2U	light brown walnut	+\$330
40	dark brown walnut	+\$330
9N	santos palisander	+\$1420
A2	white ash	+\$330
CHD	noble cherry	+\$330
EN	ebony	+\$330
OU	walnut	+\$330
UL	natural maple	+\$330
WHN	natural white oak	+\$0

Eames® Standing Height Table,
Rectangular *continued*

Eames® Tables

Top/Edge Finish		
<i>For 42" deep x 66" wide (50R) with veneer top with veneer edge (W)</i>		
2U	light brown walnut	+\$290
40	dark brown walnut	+\$290
9N	santos palisander	+\$1160
A2	white ash	+\$290
CHD	noble cherry	+\$290
EN	ebony	+\$290
OU	walnut	+\$290
UL	natural maple	+\$290
WHN	natural white oak	+\$0

Top/Edge Finish		
<i>For 42" deep x 72" wide (51R) with veneer top with veneer edge (W)</i>		
2U	light brown walnut	+\$305
40	dark brown walnut	+\$305
9N	santos palisander	+\$1220
A2	white ash	+\$305
CHD	noble cherry	+\$305
EN	ebony	+\$305
OU	walnut	+\$305
UL	natural maple	+\$305
WHN	natural white oak	+\$0

Top/Edge Finish		
<i>For 42" deep x 78" wide (52R) with veneer top with veneer edge (W)</i>		
2U	light brown walnut	+\$330
40	dark brown walnut	+\$330
9N	santos palisander	+\$1320
A2	white ash	+\$330
CHD	noble cherry	+\$330
EN	ebony	+\$330
OU	walnut	+\$330
UL	natural maple	+\$330
WHN	natural white oak	+\$0

Top/Edge Finish		
<i>For 42" deep x 84" wide (45R) with veneer top with veneer edge (W)</i>		
2U	light brown walnut	+\$330
40	dark brown walnut	+\$330
9N	santos palisander	+\$1320
A2	white ash	+\$330
CHD	noble cherry	+\$330
EN	ebony	+\$330
OU	walnut	+\$330
UL	natural maple	+\$330
WHN	natural white oak	+\$0

Top/Edge Finish		
<i>For 48" deep x 84" wide (54R) with veneer top with veneer edge (W)</i>		
2U	light brown walnut	+\$385
40	dark brown walnut	+\$385
9N	santos palisander	+\$1656
A2	white ash	+\$385
CHD	noble cherry	+\$385
EN	ebony	+\$385
OU	walnut	+\$385
UL	natural maple	+\$385
WHN	natural white oak	+\$0

Top/Edge Finish		
<i>For 48" deep x 96" wide (47R) with veneer top with veneer edge (W)</i>		
2U	light brown walnut	+\$385
40	dark brown walnut	+\$385
9N	santos palisander	+\$1656
A2	white ash	+\$385
CHD	noble cherry	+\$385
EN	ebony	+\$385
OU	walnut	+\$385
UL	natural maple	+\$385
WHN	natural white oak	+\$0

Top/Edge Finish		
<i>For 54" deep x 90" wide (55R) with veneer top with veneer edge (W)</i>		
2U	light brown walnut	+\$425
40	dark brown walnut	+\$425
9N	santos palisander	+\$1700
A2	white ash	+\$425
CHD	noble cherry	+\$425
EN	ebony	+\$425
OU	walnut	+\$425
UL	natural maple	+\$425
WHN	natural white oak	+\$0

Top/Edge Finish		
<i>For 54" deep x 96" wide (56R) with veneer top with veneer edge (W)</i>		
2U	light brown walnut	+\$440
40	dark brown walnut	+\$440
9N	santos palisander	+\$1760
A2	white ash	+\$440
CHD	noble cherry	+\$440
EN	ebony	+\$440
OU	walnut	+\$440
UL	natural maple	+\$440
WHN	natural white oak	+\$0

Eames® Standing Height Table,
Rectangular *continued*

Top/Edge Finish		
<i>For 54" deep x 108" wide (57R) with veneer top with veneer edge (W)</i>		
2U	light brown walnut	+\$500
40	dark brown walnut	+\$500
9N	santos palisander	+\$2350
A2	white ash	+\$500
CHD	noble cherry	+\$500
EN	ebony	+\$500
OU	walnut	+\$500
UL	natural maple	+\$500
WHN	natural white oak	+\$0

Top/Edge Finish		
<i>For 54" deep x 120" wide (58R) with veneer top with veneer edge (W)</i>		
2U	light brown walnut	+\$540
40	dark brown walnut	+\$540
9N	santos palisander	+\$2538
A2	white ash	+\$540
CHD	noble cherry	+\$540
EN	ebony	+\$540
OU	walnut	+\$540
UL	natural maple	+\$540
WHN	natural white oak	+\$0

Top/Edge Finish		
<i>For 54" deep x 144" wide (60R) with veneer top with veneer edge (W)</i>		
2U	light brown walnut	+\$585
40	dark brown walnut	+\$585
9N	santos palisander	+\$2750
A2	white ash	+\$585
CHD	noble cherry	+\$585
EN	ebony	+\$585
OU	walnut	+\$585
UL	natural maple	+\$585
WHN	natural white oak	+\$0

Top/Edge Finish		
<i>For 54" deep x 156" wide (61R) with veneer top with veneer edge (W)</i>		
2U	light brown walnut	+\$635
40	dark brown walnut	+\$635
9N	santos palisander	+\$3175
A2	white ash	+\$635
CHD	noble cherry	+\$635
EN	ebony	+\$635
OU	walnut	+\$635
UL	natural maple	+\$635
WHN	natural white oak	+\$0

Top/Edge Finish		
<i>For 54" deep x 168" wide (62R) with veneer top with veneer edge (W)</i>		
2U	light brown walnut	+\$690
40	dark brown walnut	+\$690
9N	santos palisander	+\$3450
A2	white ash	+\$690
CHD	noble cherry	+\$690
EN	ebony	+\$690
OU	walnut	+\$690
UL	natural maple	+\$690
WHN	natural white oak	+\$0

Top/Edge Finish		
<i>For 54" deep x 192" wide (64R) with veneer top with veneer edge (W)</i>		
2U	light brown walnut	+\$755
40	dark brown walnut	+\$755
9N	santos palisander	+\$3775
A2	white ash	+\$755
CHD	noble cherry	+\$755
EN	ebony	+\$755
OU	walnut	+\$755
UL	natural maple	+\$755
WHN	natural white oak	+\$0

Top/Edge Finish		
<i>For 54" deep x 216" wide (66R) with veneer top with veneer edge (W)</i>		
2U	light brown walnut	+\$815
40	dark brown walnut	+\$815
9N	santos palisander	+\$4075
A2	white ash	+\$815
CHD	noble cherry	+\$815
EN	ebony	+\$815
OU	walnut	+\$815
UL	natural maple	+\$815
WHN	natural white oak	+\$0

Top/Edge Finish		
<i>For 54" deep x 240" wide (68R) with veneer top with veneer edge (W)</i>		
2U	light brown walnut	+\$880
40	dark brown walnut	+\$880
9N	santos palisander	+\$4400
A2	white ash	+\$880
CHD	noble cherry	+\$880
EN	ebony	+\$880
OU	walnut	+\$880
UL	natural maple	+\$880
WHN	natural white oak	+\$0

Eames® Standing Height Table,
Rectangular *continued*

Eames® Tables

Top/Edge Finish		
<i>For 54" deep x 264" wide (70R) with veneer top with veneer edge (W)</i>		
2U	light brown walnut	+\$950
40	dark brown walnut	+\$950
9N	santos palisander	+\$5320
A2	white ash	+\$950
CHD	noble cherry	+\$950
EN	ebony	+\$950
OU	walnut	+\$950
UL	natural maple	+\$950
WHN	natural white oak	+\$0

Top/Edge Finish		
<i>For 60" deep x 120" wide (71R) with veneer top with veneer edge (W)</i>		
2U	light brown walnut	+\$680
40	dark brown walnut	+\$680
9N	santos palisander	+\$3180
A2	white ash	+\$680
CHD	noble cherry	+\$680
EN	ebony	+\$680
OU	walnut	+\$680
UL	natural maple	+\$680
WHN	natural white oak	+\$0

Top/Edge Finish		
<i>For 60" deep x 144" wide (72R) with veneer top with veneer edge (W)</i>		
2U	light brown walnut	+\$740
40	dark brown walnut	+\$740
9N	santos palisander	+\$3440
A2	white ash	+\$740
CHD	noble cherry	+\$740
EN	ebony	+\$740
OU	walnut	+\$740
UL	natural maple	+\$740
WHN	natural white oak	+\$0

Top/Edge Finish		
<i>For 60" deep x 156" wide (73R) with veneer top with veneer edge (W)</i>		
2U	light brown walnut	+\$800
40	dark brown walnut	+\$800
9N	santos palisander	+\$3970
A2	white ash	+\$800
CHD	noble cherry	+\$800
EN	ebony	+\$800
OU	walnut	+\$800
UL	natural maple	+\$800
WHN	natural white oak	+\$0

Top/Edge Finish		
<i>For 60" deep x 168" wide (74R) with veneer top with veneer edge (W)</i>		
2U	light brown walnut	+\$870
40	dark brown walnut	+\$870
9N	santos palisander	+\$4320
A2	white ash	+\$870
CHD	noble cherry	+\$870
EN	ebony	+\$870
OU	walnut	+\$870
UL	natural maple	+\$870
WHN	natural white oak	+\$0

Top/Edge Finish		
<i>For 60" deep x 192" wide (75R) with veneer top with veneer edge (W)</i>		
2U	light brown walnut	+\$950
40	dark brown walnut	+\$950
9N	santos palisander	+\$4720
A2	white ash	+\$950
CHD	noble cherry	+\$950
EN	ebony	+\$950
OU	walnut	+\$950
UL	natural maple	+\$950
WHN	natural white oak	+\$0

Step 8. Edge Finish		
<i>For high-pressure laminate top with vinyl edge (L) or veneer top with vinyl edge (C)</i>		
8Q	folkstone grey (CP)	+\$0
91	white (CP)	+\$0
98	studio white (CP)	+\$0
BK	black	+\$0
CL	cool grey neutral	+\$0
HF	inner tone light	+\$0
LT	light tone	+\$0
LU	soft white	+\$0
SG	slate grey	+\$0
WL	warm stone (CP)	+\$0
WN	warm grey neutral	+\$0

Step 9. Grommet Finish		
<i>For 2 round cutouts, over columns (C2) or 3 round cutouts, over columns (C3)</i>		
91	white (CP)	+\$0
BK	black	+\$0
PA	polished aluminum	+\$0

Eames® Standing Height Table,
Rectangular *continued*

For single centered oval cutout (CR) or 2 round cutouts and center oval cutout (CA)

91	white (CP)	+\$0
BK	black	+\$0
PA	polished aluminum	+\$150

For 2 oval cutouts (CM) or 2 round cutouts and 2 oval cutouts (CB)

91	white (CP)	+\$0
BK	black	+\$0
PA	polished aluminum	+\$300

For 3 oval cutouts (CP) or 2 round cutouts and 3 oval cutouts (CE)

91	white (CP)	+\$0
BK	black	+\$0
PA	polished aluminum	+\$450

For 4 oval cutouts (CN) or 3 round cutouts and 4 oval cutouts (CD)

91	white (CP)	+\$0
BK	black	+\$0
PA	polished aluminum	+\$0
PA	polished aluminum	+\$600

Step 10. Column Finish

611	beige mist metallic (CP)	+\$0
613	silver (CP)	+\$0
G1	graphite (CP)	+\$0
91	white (CP)	+\$0
BK	black	+\$0
CL	cool grey neutral	+\$0
HF	inner tone light	+\$0
LT	light tone	+\$0
LU	soft white	+\$0
MT	medium tone	+\$0
SG	slate grey	+\$0
WN	warm grey neutral	+\$0
EH	metallic bronze	+\$0

Step 11. Base Finish

611	beige mist metallic (CP)	+\$0
613	silver (CP)	+\$0
G1	graphite (CP)	+\$0
91	white (CP)	+\$0
BK	black	+\$0
CL	cool grey neutral	+\$0
HF	inner tone light	+\$0
LT	light tone	+\$0
LU	soft white	+\$0
MT	medium tone	+\$0
PA	polished aluminum	+\$0
SG	slate grey	+\$0
WN	warm grey neutral	+\$0
EH	metallic bronze	+\$0

Eames® Standing Height Table, Oval

Eames® Tables



Product Information

Description

This segmented base table has a laminate or veneer top with vinyl edge, a veneer top and edge, a thin-profile HPL top with black edge, a back-painted glass top with modified bullnose edge, or a solid wood top. Table may be specified with cutouts to accommodate simple power options (specified separately). Each table has adjustable glides. Shipped knocked down.

Notes

60"-wide to 96"-wide tables have a 1-piece top and 2-column segmented base. 60"-deep tables have a dual run of columns.

For veneer tables, 108"-wide to 192"-wide tops are shipped in 2 equal pieces; 216"-wide and 264"-wide tops are shipped in 3 equal pieces.

For laminate tables, 108"-wide tables have a 1-piece top; 120"-wide to 216"-wide tops are shipped in 2 equal pieces; 240"-wide and 264"-wide tops are shipped in 3 equal pieces.

Laminate and veneer tops are 1 1/4" thick.

Thin profile HPL tops are 1/2" thick.

Glass tops are back-painted, with a satin etch finish to reduce the appearance of fingerprints. Tops up to 42"x78" are 1/2" thick; tops 42"x84" to 60"x120" are 3/8" thick with a Formcoat® substructure.

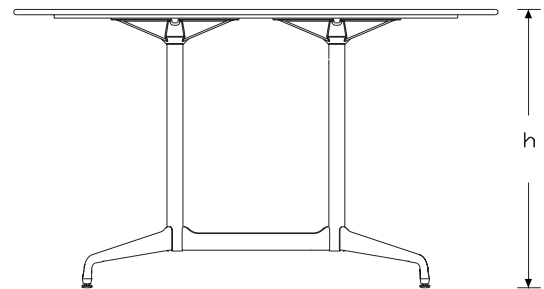
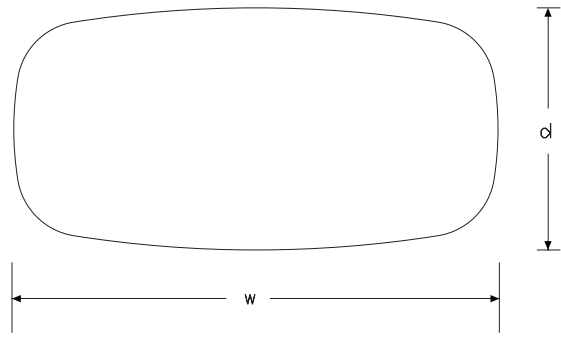
Tables may be specified with cutouts for power in various configurations. Round cutouts align with columns, and oval cutouts are centered between columns.

Order the following compatible power components separately:

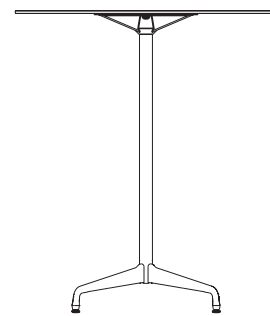
- Round power module (ET991.)
- Oval power module (ET992.)
- Pair of oval power modules (ET993.)
- Oval power module & undermount power (ET994.)
- Pair of oval power modules & undermount power (ET995.)

Santos palisander veneer is celebrated for its unique grain and color variations. Similar products ordered in multiples or dissimilar products ordered separately should be expected to have variation in both grain and color characteristics; no two products will look exactly alike.

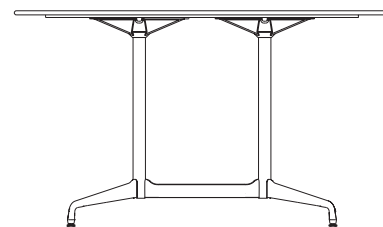
Dimensions



Segmented Base, Width View



30"-54", Depth View



60", Depth View

Eames® Standing Height Table, Oval

continued

Specification Information

Step 1.

ET

Step 2. Height

4	36" high
5	42" high

Step 3. Depth/Width

87V	30" deep x 60" wide
88V	30" deep x 72" wide
49V	36" deep x 60" wide
43V	36" deep x 72" wide
44V	36" deep x 84" wide
89V	36" deep x 96" wide
50V	42" deep x 66" wide
51V	42" deep x 72" wide
52V	42" deep x 78" wide
53V	42" deep x 84" wide
54V	48" deep x 84" wide
47V	48" deep x 96" wide
55V	54" deep x 90" wide
56V	54" deep x 96" wide
57V	54" deep x 108" wide
58V	54" deep x 120" wide
60V	54" deep x 144" wide
61V	54" deep x 156" wide
62V	54" deep x 168" wide
64V	54" deep x 192" wide
66V	54" deep x 216" wide
68V	54" deep x 240" wide
70V	54" deep x 264" wide
71V	60" deep x 120" wide
72V	60" deep x 144" wide
73V	60" deep x 156" wide
74V	60" deep x 168" wide
75V	60" deep x 192" wide
76V	60" deep x 216" wide
77V	60" deep x 240" wide
78V	60" deep x 264" wide

Step 4. Base

S segmented base

Step 5. Surface Material

For 30" deep x 60" wide (87V), 30" deep x 72" wide (88V), 36" deep x 60" wide (49V), or 36" deep x 72" wide (43V)

L	high-pressure laminate top with vinyl edge
C	veneer top with vinyl edge
W	veneer top with veneer edge
M	thin profile HPL top with black edge
G	back-painted glass top

For 36" deep x 84" wide (44V), 36" deep x 96" wide (89V), 42" deep x 66" wide (50V), 42" deep x 72" wide (51V), 42" deep x 78" wide (52V), 42" deep x 84" wide (53V), 48" deep x 84" wide (54V), or 48" deep x 96" wide (47V)

L	high-pressure laminate top with vinyl edge A
C	veneer top with vinyl edge A
W	veneer top with veneer edge A
M	thin profile HPL top with black edge A
G	back-painted glass top A

For 54" deep x 90" wide (55V), 54" deep x 96" wide (56V), 54" deep x 108" wide (57V), 54" deep x 120" wide (58V), or 60" deep x 120" wide (71V)

L	high-pressure laminate top with vinyl edge
C	veneer top with vinyl edge
W	veneer top with veneer edge
G	back-painted glass top

For 54" deep x 144" wide (60V), 54" deep x 156" wide (61V), 54" deep x 168" wide (62V), 54" deep x 192" wide (64V), 54" deep x 216" wide (66V), 54" deep x 240" wide (68V), 54" deep x 264" wide (70V), 60" deep x 144" wide (72V), 60" deep x 156" wide (73V), 60" deep x 168" wide (74V), 60" deep x 192" wide (75V), 60" deep x 216" wide (76V), 60" deep x 240" wide (77V), or 60" deep x 264" wide (78V)

L	high-pressure laminate top with vinyl edge
C	veneer top with vinyl edge
W	veneer top with veneer edge

Eames® Standing Height Table, Oval

continued

Eames® Tables

Step 6. Grommets

For 30" deep x 60" wide (87V), 30" deep x 72" wide (88V), 36" deep x 60" wide (49V), 36" deep x 72" wide (43V), 36" deep x 84" wide (44V), 36" deep x 96" wide (89V), 42" deep x 66" wide (50V), 42" deep x 72" wide (51V), 42" deep x 78" wide (52V), 42" deep x 84" wide (53V), 48" deep x 84" wide (54V), 48" deep x 96" wide (47V), 54" deep x 90" wide (55V), 54" deep x 96" wide (56V), or 54" deep x 108" wide (57V)

NG	no grommet
C2	2 round cutouts, over columns
CR	single centered oval cutout
CA	2 round cutouts and center oval cutout

For 54" deep x 120" wide (58V), 54" deep x 144" wide (60V), 54" deep x 156" wide (61V), 54" deep x 168" wide (62V), 60" deep x 120" wide (71V), 60" deep x 144" wide (72V), 60" deep x 156" wide (73V), or 60" deep x 168" wide (74V)

NG	no grommet
C2	2 round cutouts, over columns
CM	2 oval cutouts
CB	2 round cutouts and 2 oval cutouts

For 54" deep x 192" wide (64V) or 60" deep x 192" wide (75V)

NG	no grommet
C2	2 round cutouts, over columns
CP	3 oval cutouts
CE	2 round cutouts and 3 oval cutouts

For 54" deep x 216" wide (66V), 54" deep x 240" wide (68V), 54" deep x 264" wide (70V), 60" deep x 216" wide (76V), 60" deep x 240" wide (77V), or 60" deep x 264" wide (78V)

NG	no grommet
C3	3 round cutouts, over columns
CN	4 oval cutouts
CD	3 round cutouts and 4 oval cutouts

Prices for Steps 1-6.

		NG	C2	C3	CM	CN	CP
ET487V S	L	\$2746	3425	—	—	—	—
	C	\$3304	3982	—	—	—	—
	W	\$3540	4216	—	—	—	—
	M	\$4983	5659	—	—	—	—
	G	\$10094	11245	—	—	—	—

		CR	CA	CB	CD	CE
ET487V S	L	\$3085	3762	—	—	—
	C	\$3642	4319	—	—	—
	W	\$3879	4556	—	—	—
	M	\$5323	6000	—	—	—
	G	\$11303	12466	—	—	—

		NG	C2	C3	CM	CN	CP
ET488V S	L	\$2925	3601	—	—	—	—
	C	\$3568	4246	—	—	—	—
	W	\$3920	4600	—	—	—	—
	M	\$5014	5690	—	—	—	—
	G	\$11344	12511	—	—	—	—

		CR	CA	CB	CD	CE
ET488V S	L	\$3262	3942	—	—	—
	C	\$3908	4586	—	—	—
	W	\$4263	4938	—	—	—
	M	\$5350	6031	—	—	—
	G	\$12554	13718	—	—	—

		NG	C2	C3	CM	CN	CP
ET449V S	L	\$3065	3745	—	—	—	—
	C	\$3642	4319	—	—	—	—
	W	\$3931	4607	—	—	—	—
	M	\$5983	6664	—	—	—	—
	G	\$11344	12511	—	—	—	—

		CR	CA	CB	CD	CE
ET449V S	L	\$3405	4084	—	—	—
	C	\$3982	4658	—	—	—
	W	\$4267	4945	—	—	—
	M	\$6323	7001	—	—	—
	G	\$12554	13718	—	—	—

		NG	C2	C3	CM	CN	CP
ET443V S	L	\$3136	3813	—	—	—	—
	C	\$3746	4423	—	—	—	—
	W	\$4085	4762	—	—	—	—
	M	\$6013	6691	—	—	—	—
	G	\$12848	13999	—	—	—	—

Eames® Standing Height Table, Oval

continued

		CR	CA	CB	CD	CE
ET443V S	L	\$3476	4153	—	—	—
	C	\$4085	4762	—	—	—
	W	\$4423	5102	—	—	—
	M	\$6355	7031	—	—	—
	G	\$14056	15221	—	—	—

		NG	C2	C3	CM	CN	CP
ET444V S	L	\$3266	3945	—	—	—	—
	C	\$4010	4688	—	—	—	—
	W	\$4437	5117	—	—	—	—
	M	\$6060	6737	—	—	—	—
	G	\$14337	15500	—	—	—	—

		CR	CA	CB	CD	CE
ET444V S	L	\$3604	4282	—	—	—
	C	\$4351	5026	—	—	—
	W	\$4777	5453	—	—	—
	M	\$6396	7076	—	—	—
	G	\$15561	16710	—	—	—

		NG	C2	C3	CM	CN	CP
ET489V S	L	\$3477	4154	—	—	—	—
	C	\$4246	4923	—	—	—	—
	W	\$4556	5235	—	—	—	—
	M	\$6088	6766	—	—	—	—
	G	\$15943	17106	—	—	—	—

		CR	CA	CB	CD	CE
ET489V S	L	\$3814	4494	—	—	—
	C	\$4586	5263	—	—	—
	W	\$4893	5573	—	—	—
	M	\$6425	7103	—	—	—
	G	\$17166	18314	—	—	—

		NG	C2	C3	CM	CN	CP
ET450V S	L	\$3612	4290	—	—	—	—
	C	\$4145	4822	—	—	—	—
	W	\$4629	5307	—	—	—	—
	M	\$6031	6707	—	—	—	—
	G	\$13437	14603	—	—	—	—

		CR	CA	CB	CD	CE
ET450V S	L	\$3950	4628	—	—	—
	C	\$4481	5159	—	—	—
	W	\$4968	5646	—	—	—
	M	\$6366	7046	—	—	—
	G	\$14662	15810	—	—	—

		NG	C2	C3	CM	CN	CP
ET451V S	L	\$3710	4391	—	—	—	—
	C	\$4196	4876	—	—	—	—
	W	\$4671	5346	—	—	—	—
	M	\$6042	6719	—	—	—	—
	G	\$14337	15500	—	—	—	—

		CR	CA	CB	CD	CE
ET451V S	L	\$4051	4727	—	—	—
	C	\$4535	5212	—	—	—
	W	\$5008	5686	—	—	—
	M	\$6384	7060	—	—	—
	G	\$15561	16710	—	—	—

		NG	C2	C3	CM	CN	CP
ET452V S	L	\$3785	4463	—	—	—	—
	C	\$4377	5055	—	—	—	—
	W	\$4820	5497	—	—	—	—
	M	\$9549	10228	—	—	—	—
	G	\$15251	16400	—	—	—	—

		CR	CA	CB	CD	CE
ET452V S	L	\$4122	4800	—	—	—
	C	\$4717	5392	—	—	—
	W	\$5158	5835	—	—	—
	M	\$9888	10566	—	—	—
	G	\$16459	17621	—	—	—

		NG	C2	C3	CM	CN	CP
ET453V S	L	\$3827	4503	—	—	—	—
	C	\$4420	5099	—	—	—	—
	W	\$4872	5550	—	—	—	—
	M	\$9549	10228	—	—	—	—
	G	\$16650	18593	—	—	—	—

Eames® Tables

Eames® Standing Height Table, Oval

continued

Eames® Tables

		CR	CA	CB	CD	CE
ET453V S	L	\$4165	4842	—	—	—
	C	\$4759	5437	—	—	—
	W	\$5210	5887	—	—	—
	M	\$9888	10566	—	—	—
	G	\$18388	20344	—	—	—

		NG	C2	C3	CM	CN	CP
ET454V S	L	\$4267	4945	—	—	—	—
	C	\$4880	5556	—	—	—	—
	W	\$5322	5998	—	—	—	—
	M	\$9579	10257	—	—	—	—
	G	\$18699	20655	—	—	—	—

		CR	CA	CB	CD	CE
ET454V S	L	\$4607	5284	—	—	—
	C	\$5215	5895	—	—	—
	W	\$5658	6335	—	—	—
	M	\$9918	10596	—	—	—
	G	\$20448	22394	—	—	—

		NG	C2	C3	CM	CN	CP
ET447V S	L	\$4354	5032	—	—	—	—
	C	\$4971	5651	—	—	—	—
	W	\$5488	6167	—	—	—	—
	M	\$9622	10301	—	—	—	—
	G	\$21055	23041	—	—	—	—

		CR	CA	CB	CD	CE
ET447V S	L	\$4695	5371	—	—	—
	C	\$5313	5989	—	—	—
	W	\$5829	6504	—	—	—
	M	\$9962	10640	—	—	—
	G	\$22807	24750	—	—	—

		NG	C2	C3	CM	CN	CP
ET455V S	L	\$5108	5787	—	—	—	—
	C	\$5760	6438	—	—	—	—
	W	\$6351	7028	—	—	—	—
	G	\$22069	24029	—	—	—	—

		CR	CA	CB	CD	CE
ET455V S	L	\$5447	6124	—	—	—
	C	\$6100	6776	—	—	—
	W	\$6688	7366	—	—	—
	G	\$23925	25781	—	—	—

		NG	C2	C3	CM	CN	CP
ET456V S	L	\$5169	5846	—	—	—	—
	C	\$5938	6615	—	—	—	—
	W	\$6601	7277	—	—	—	—
	G	\$23393	25355	—	—	—	—

		CR	CA	CB	CD	CE
ET456V S	L	\$5508	6185	—	—	—
	C	\$6277	6953	—	—	—
	W	\$6941	7617	—	—	—
	G	\$25149	27109	—	—	—

		NG	C2	C3	CM	CN	CP
ET457V S	L	\$6635	7312	—	—	—	—
	C	\$7360	8038	—	—	—	—
	W	\$8135	8810	—	—	—	—
	G	\$26047	28006	—	—	—	—

		CR	CA	CB	CD	CE
ET457V S	L	\$6975	7650	—	—	—
	C	\$7700	8378	—	—	—
	W	\$8474	9151	—	—	—
	G	\$27801	29757	—	—	—

		NG	C2	C3	CM	CN	CP
ET458V S	L	\$7494	8171	—	8171	—	—
	C	\$8362	9041	—	9041	—	—
	W	\$9244	9925	—	9925	—	—
	G	\$29757	31703	—	31777	—	—

		CR	CA	CB	CD	CE
ET458V S	L	—	—	\$8848	—	—
	C	—	—	\$9718	—	—
	W	—	—	\$10601	—	—
	G	—	—	\$33736	—	—

		NG	C2	C3	CM	CN	CP
ET460V S	L	\$8082	8759	—	8759	—	—
	C	\$8978	9655	—	9655	—	—
	W	\$10008	10685	—	10685	—	—

		CR	CA	CB	CD	CE
ET460V S	L	—	—	\$9437	—	—
	C	—	—	\$10333	—	—
	W	—	—	\$11361	—	—

Eames® Standing Height Table, Oval

continued

		NG	C2	C3	CM	CN	CP
ET461V S	L	\$8744	9423	—	9423	—	—
	C	\$9673	10351	—	10351	—	—
	W	\$10815	11493	—	11493	—	—

		CR	CA	CB	CD	CE
ET461V S	L	—	—	\$10098	—	—
	C	—	—	\$11028	—	—
	W	—	—	\$12169	—	—

		NG	C2	C3	CM	CN	CP
ET462V S	L	\$9536	10216	—	10216	—	—
	C	\$10611	11290	—	11290	—	—
	W	\$11864	12541	—	12541	—	—

		CR	CA	CB	CD	CE
ET462V S	L	—	—	\$10893	—	—
	C	—	—	\$11968	—	—
	W	—	—	\$13218	—	—

		NG	C2	C3	CM	CN	CP
ET464V S	L	\$10632	11307	—	—	—	11648
	C	\$11960	12638	—	—	—	12978
	W	\$13361	14039	—	—	—	14376

		CR	CA	CB	CD	CE
ET464V S	L	—	—	—	—	\$12327
	C	—	—	—	—	\$13654
	W	—	—	—	—	\$15054

		NG	C2	C3	CM	CN	CP
ET466V S	L	\$11798	—	12813	—	13153	—
	C	\$13174	—	14191	—	14527	—
	W	\$14720	—	15736	—	16075	—

		CR	CA	CB	CD	CE
ET466V S	L	—	—	—	\$14166	—
	C	—	—	—	\$15543	—
	W	—	—	—	\$17090	—

		NG	C2	C3	CM	CN	CP
ET468V S	L	\$12939	—	13953	—	14292	—
	C	\$14369	—	15386	—	15724	—
	W	\$16063	—	17080	—	17419	—

		CR	CA	CB	CD	CE
ET468V S	L	—	—	—	\$15310	—
	C	—	—	—	\$16743	—
	W	—	—	—	\$18434	—

		NG	C2	C3	CM	CN	CP
ET470V S	L	\$14047	—	15065	—	15401	—
	C	\$15743	—	16760	—	17100	—
	W	\$17585	—	18603	—	18940	—

		CR	CA	CB	CD	CE
ET470V S	L	—	—	—	\$16417	—
	C	—	—	—	\$18115	—
	W	—	—	—	\$19958	—

		NG	C2	C3	CM	CN	CP
ET471V S	L	\$13999	14675	—	14675	—	—
	C	\$16945	17621	—	17621	—	—
	W	\$17976	18652	—	18652	—	—
	G	\$36875	38821	—	38891	—	—

		CR	CA	CB	CD	CE
ET471V S	L	—	—	\$15354	—	—
	C	—	—	\$18298	—	—
	W	—	—	\$19328	—	—
	G	—	—	\$40851	—	—

		NG	C2	C3	CM	CN	CP
ET472V S	L	\$14584	15262	—	15262	—	—
	C	\$17829	18505	—	18505	—	—
	W	\$19004	19685	—	19685	—	—

		CR	CA	CB	CD	CE
ET472V S	L	—	—	\$15940	—	—
	C	—	—	\$19183	—	—
	W	—	—	\$20362	—	—

		NG	C2	C3	CM	CN	CP
ET473V S	L	\$15027	15705	—	15705	—	—
	C	\$18566	19242	—	19242	—	—
	W	\$19854	20530	—	20530	—	—

		CR	CA	CB	CD	CE
ET473V S	L	—	—	\$16381	—	—
	C	—	—	\$19919	—	—
	W	—	—	\$21207	—	—

Eames® Tables

Eames® Standing Height Table, Oval

continued

Eames® Tables

		NG	C2	C3	CM	CN	CP
ET474V S	L	\$15616	16296	—	16296	—	—
	C	\$19448	20125	—	20125	—	—
	W	\$20848	21526	—	21526	—	—

		CR	CA	CB	CD	CE
ET474V S	L	—	—	\$16971	—	—
	C	—	—	\$20801	—	—
	W	—	—	\$22202	—	—

		NG	C2	C3	CM	CN	CP
ET475V S	L	\$18566	19242	—	—	—	19581
	C	\$25930	26606	—	—	—	26946
	W	\$27477	28155	—	—	—	28492

		CR	CA	CB	CD	CE
ET475V S	L	—	—	—	—	\$20257
	C	—	—	—	—	\$27624
	W	—	—	—	—	\$29170

		NG	C2	C3	CM	CN	CP
ET476V S	L	\$22541	—	23558	—	23896	—
	C	\$32265	—	33280	—	33618	—
	W	\$33957	—	34972	—	35313	—

		CR	CA	CB	CD	CE
ET476V S	L	—	—	—	\$24913	—
	C	—	—	—	\$34637	—
	W	—	—	—	\$36330	—

		NG	C2	C3	CM	CN	CP
ET477V S	L	\$24456	—	25472	—	25814	—
	C	\$34325	—	35343	—	35680	—
	W	\$36167	—	37182	—	37522	—

		CR	CA	CB	CD	CE
ET477V S	L	—	—	—	\$26829	—
	C	—	—	—	\$36697	—
	W	—	—	—	\$38539	—

		NG	C2	C3	CM	CN	CP
ET478V S	L	\$24898	—	25914	—	26253	—
	C	\$35649	—	36665	—	37005	—
	W	\$37641	—	38654	—	38995	—

		CR	CA	CB	CD	CE
ET478V S	L	—	—	—	\$27270	—
	C	—	—	—	\$38023	—
	W	—	—	—	\$40011	—

		NG	C2	C3	CM	CN	CP
ET587V S	L	\$2746	3425	—	—	—	—
	C	\$3304	3982	—	—	—	—
	W	\$3540	4216	—	—	—	—
	M	\$4983	5659	—	—	—	—
	G	\$10094	11245	—	—	—	—

		CR	CA	CB	CD	CE
ET587V S	L	\$3085	3762	—	—	—
	C	\$3642	4319	—	—	—
	W	\$3879	4556	—	—	—
	M	\$5323	6000	—	—	—
	G	\$11303	12466	—	—	—

		NG	C2	C3	CM	CN	CP
ET588V S	L	\$2925	3601	—	—	—	—
	C	\$3568	4246	—	—	—	—
	W	\$3920	4600	—	—	—	—
	M	\$5014	5690	—	—	—	—
	G	\$11344	12511	—	—	—	—

		CR	CA	CB	CD	CE
ET588V S	L	\$3262	3942	—	—	—
	C	\$3908	4586	—	—	—
	W	\$4263	4938	—	—	—
	M	\$5350	6031	—	—	—
	G	\$12554	13718	—	—	—

		NG	C2	C3	CM	CN	CP
ET549V S	L	\$3065	3745	—	—	—	—
	C	\$3642	4319	—	—	—	—
	W	\$3931	4607	—	—	—	—
	M	\$5983	6664	—	—	—	—
	G	\$11344	12511	—	—	—	—

		CR	CA	CB	CD	CE
ET549V S	L	\$3405	4084	—	—	—
	C	\$3982	4658	—	—	—
	W	\$4267	4945	—	—	—
	M	\$6323	7001	—	—	—
	G	\$12554	13718	—	—	—

Eames® Standing Height Table, Oval

continued

		NG	C2	C3	CM	CN	CP
ET543V S	L	\$3136	3813	—	—	—	—
	C	\$3746	4423	—	—	—	—
	W	\$4085	4762	—	—	—	—
	M	\$6013	6691	—	—	—	—
	G	\$12848	13999	—	—	—	—

		CR	CA	CB	CD	CE
ET543V S	L	\$3476	4153	—	—	—
	C	\$4085	4762	—	—	—
	W	\$4423	5102	—	—	—
	M	\$6355	7031	—	—	—
	G	\$14056	15221	—	—	—

		NG	C2	C3	CM	CN	CP
ET544V S	L	\$3266	3945	—	—	—	—
	C	\$4010	4688	—	—	—	—
	W	\$4437	5117	—	—	—	—
	M	\$6060	6737	—	—	—	—
	G	\$14337	15500	—	—	—	—

		CR	CA	CB	CD	CE
ET544V S	L	\$3604	4282	—	—	—
	C	\$4351	5026	—	—	—
	W	\$4777	5453	—	—	—
	M	\$6396	7076	—	—	—
	G	\$15561	16710	—	—	—

		NG	C2	C3	CM	CN	CP
ET589V S	L	\$3477	4154	—	—	—	—
	C	\$4246	4923	—	—	—	—
	W	\$4556	5235	—	—	—	—
	M	\$6088	6766	—	—	—	—
	G	\$15943	17106	—	—	—	—

		CR	CA	CB	CD	CE
ET589V S	L	\$3814	4494	—	—	—
	C	\$4586	5263	—	—	—
	W	\$4893	5573	—	—	—
	M	\$6425	7103	—	—	—
	G	\$17166	18314	—	—	—

		NG	C2	C3	CM	CN	CP
ET550V S	L	\$3612	4290	—	—	—	—
	C	\$4145	4822	—	—	—	—
	W	\$4629	5307	—	—	—	—
	M	\$6031	6707	—	—	—	—
	G	\$13437	14603	—	—	—	—

		CR	CA	CB	CD	CE
ET550V S	L	\$3950	4628	—	—	—
	C	\$4481	5159	—	—	—
	W	\$4968	5646	—	—	—
	M	\$6366	7046	—	—	—
	G	\$14662	15810	—	—	—

		NG	C2	C3	CM	CN	CP
ET551V S	L	\$3710	4391	—	—	—	—
	C	\$4196	4876	—	—	—	—
	W	\$4671	5346	—	—	—	—
	M	\$6042	6719	—	—	—	—
	G	\$14337	15500	—	—	—	—

		CR	CA	CB	CD	CE
ET551V S	L	\$4051	4727	—	—	—
	C	\$4535	5212	—	—	—
	W	\$5008	5686	—	—	—
	M	\$6384	7060	—	—	—
	G	\$15561	16710	—	—	—

		NG	C2	C3	CM	CN	CP
ET552V S	L	\$3785	4463	—	—	—	—
	C	\$4377	5055	—	—	—	—
	W	\$4820	5497	—	—	—	—
	M	\$9549	10228	—	—	—	—
	G	\$15251	16400	—	—	—	—

		CR	CA	CB	CD	CE
ET552V S	L	\$4122	4800	—	—	—
	C	\$4717	5392	—	—	—
	W	\$5158	5835	—	—	—
	M	\$9888	10566	—	—	—
	G	\$16459	17621	—	—	—

Eames® Tables

Eames® Standing Height Table, Oval

continued

Eames® Tables

		NG	C2	C3	CM	CN	CP
ET553V S	L	\$3827	4503	—	—	—	—
	C	\$4420	5099	—	—	—	—
	W	\$4872	5550	—	—	—	—
	M	\$9549	10228	—	—	—	—
	G	\$16650	18593	—	—	—	—

		CR	CA	CB	CD	CE
ET553V S	L	\$4165	4842	—	—	—
	C	\$4759	5437	—	—	—
	W	\$5210	5887	—	—	—
	M	\$9888	10566	—	—	—
	G	\$18388	20344	—	—	—

		NG	C2	C3	CM	CN	CP
ET554V S	L	\$4267	4945	—	—	—	—
	C	\$4880	5556	—	—	—	—
	W	\$5322	5998	—	—	—	—
	M	\$9579	10257	—	—	—	—
	G	\$18699	20655	—	—	—	—

		CR	CA	CB	CD	CE
ET554V S	L	\$4607	5284	—	—	—
	C	\$5215	5895	—	—	—
	W	\$5658	6335	—	—	—
	M	\$9918	10596	—	—	—
	G	\$20448	22394	—	—	—

		NG	C2	C3	CM	CN	CP
ET547V S	L	\$4354	5032	—	—	—	—
	C	\$4971	5651	—	—	—	—
	W	\$5488	6167	—	—	—	—
	M	\$9622	10301	—	—	—	—
	G	\$21055	23041	—	—	—	—

		CR	CA	CB	CD	CE
ET547V S	L	\$4695	5371	—	—	—
	C	\$5313	5989	—	—	—
	W	\$5829	6504	—	—	—
	M	\$9962	10640	—	—	—
	G	\$22807	24750	—	—	—

		NG	C2	C3	CM	CN	CP
ET555V S	L	\$5108	5787	—	—	—	—
	C	\$5760	6438	—	—	—	—
	W	\$6351	7028	—	—	—	—
	M	\$12209	13029	—	—	—	—
	G	\$22069	24029	—	—	—	—

		CR	CA	CB	CD	CE
ET555V S	L	\$5447	6124	—	—	—
	C	\$6100	6776	—	—	—
	W	\$6688	7366	—	—	—
	M	\$123925	125781	—	—	—
	G	\$23925	25781	—	—	—

		NG	C2	C3	CM	CN	CP
ET556V S	L	\$5169	5846	—	—	—	—
	C	\$5938	6615	—	—	—	—
	W	\$6601	7277	—	—	—	—
	M	\$123393	125355	—	—	—	—
	G	\$23393	25355	—	—	—	—

		CR	CA	CB	CD	CE
ET556V S	L	\$5508	6185	—	—	—
	C	\$6277	6953	—	—	—
	W	\$6941	7617	—	—	—
	M	\$125149	127109	—	—	—
	G	\$25149	27109	—	—	—

		NG	C2	C3	CM	CN	CP
ET557V S	L	\$6635	7312	—	—	—	—
	C	\$7360	8038	—	—	—	—
	W	\$8135	8810	—	—	—	—
	M	\$126047	128006	—	—	—	—
	G	\$26047	28006	—	—	—	—

		CR	CA	CB	CD	CE
ET557V S	L	\$6975	7650	—	—	—
	C	\$7700	8378	—	—	—
	W	\$8474	9151	—	—	—
	M	\$127801	129757	—	—	—
	G	\$27801	29757	—	—	—

		NG	C2	C3	CM	CN	CP
ET558V S	L	\$7494	8171	—	8171	—	—
	C	\$8362	9041	—	9041	—	—
	W	\$9244	9925	—	9925	—	—
	M	\$129757	131703	—	131777	—	—
	G	\$29757	31703	—	31777	—	—

		CR	CA	CB	CD	CE
ET558V S	L	—	—	\$8848	—	—
	C	—	—	\$9718	—	—
	W	—	—	\$10601	—	—
	M	—	—	\$33736	—	—
	G	—	—	\$33736	—	—

		NG	C2	C3	CM	CN	CP
ET560V S	L	\$8082	8759	—	8759	—	—
	C	\$8978	9655	—	9655	—	—
	W	\$10008	10685	—	10685	—	—

Eames® Standing Height Table, Oval

continued

		CR	CA	CB	CD	CE
ET560V S	L	—	—	\$9437	—	—
	C	—	—	\$10333	—	—
	W	—	—	\$11361	—	—

		NG	C2	C3	CM	CN	CP
ET561V S	L	\$8744	9423	—	9423	—	—
	C	\$9673	10351	—	10351	—	—
	W	\$10815	11493	—	11493	—	—

		CR	CA	CB	CD	CE
ET561V S	L	—	—	\$10098	—	—
	C	—	—	\$11028	—	—
	W	—	—	\$12169	—	—

		NG	C2	C3	CM	CN	CP
ET562V S	L	\$9536	10216	—	10216	—	—
	C	\$10611	11290	—	11290	—	—
	W	\$11864	12541	—	12541	—	—

		CR	CA	CB	CD	CE
ET562V S	L	—	—	\$10893	—	—
	C	—	—	\$11968	—	—
	W	—	—	\$13218	—	—

		NG	C2	C3	CM	CN	CP
ET564V S	L	\$10632	11307	—	—	—	11648
	C	\$11960	12638	—	—	—	12978
	W	\$13361	14039	—	—	—	14376

		CR	CA	CB	CD	CE
ET564V S	L	—	—	—	—	\$12327
	C	—	—	—	—	\$13654
	W	—	—	—	—	\$15054

		NG	C2	C3	CM	CN	CP
ET566V S	L	\$11798	—	12813	—	13153	—
	C	\$13174	—	14191	—	14527	—
	W	\$14720	—	15736	—	16075	—

		CR	CA	CB	CD	CE
ET566V S	L	—	—	—	\$14166	—
	C	—	—	—	\$15543	—
	W	—	—	—	\$17090	—

		NG	C2	C3	CM	CN	CP
ET568V S	L	\$12939	—	13953	—	14292	—
	C	\$14369	—	15386	—	15724	—
	W	\$16063	—	17080	—	17419	—

		CR	CA	CB	CD	CE
ET568V S	L	—	—	—	\$15310	—
	C	—	—	—	\$16743	—
	W	—	—	—	\$18434	—

		NG	C2	C3	CM	CN	CP
ET570V S	L	\$14047	—	15065	—	15401	—
	C	\$15743	—	16760	—	17100	—
	W	\$17585	—	18603	—	18940	—

		CR	CA	CB	CD	CE
ET570V S	L	—	—	—	\$16417	—
	C	—	—	—	\$18115	—
	W	—	—	—	\$19958	—

		NG	C2	C3	CM	CN	CP
ET571V S	L	\$13999	14675	—	14675	—	—
	C	\$16945	17621	—	17621	—	—
	W	\$17976	18652	—	18652	—	—
	G	\$36875	38821	—	38891	—	—

		CR	CA	CB	CD	CE
ET571V S	L	—	—	\$15354	—	—
	C	—	—	\$18298	—	—
	W	—	—	\$19328	—	—
	G	—	—	\$40851	—	—

		NG	C2	C3	CM	CN	CP
ET572V S	L	\$14584	15262	—	15262	—	—
	C	\$17829	18505	—	18505	—	—
	W	\$19004	19685	—	19685	—	—

		CR	CA	CB	CD	CE
ET572V S	L	—	—	\$15940	—	—
	C	—	—	\$19183	—	—
	W	—	—	\$20362	—	—

		NG	C2	C3	CM	CN	CP
ET573V S	L	\$15027	15705	—	15705	—	—
	C	\$18566	19242	—	19242	—	—
	W	\$19854	20530	—	20530	—	—

Eames® Tables

Eames® Standing Height Table, Oval

continued

Eames® Tables

			CR	CA	CB	CD	CE
ET573V	S	L	—	—	\$16381	—	—
		C	—	—	\$19919	—	—
		W	—	—	\$21207	—	—

			NG	C2	C3	CM	CN	CP
ET574V	S	L	\$15616	16296	—	16296	—	—
		C	\$19448	20125	—	20125	—	—
		W	\$20848	21526	—	21526	—	—

			CR	CA	CB	CD	CE
ET574V	S	L	—	—	\$16971	—	—
		C	—	—	\$20801	—	—
		W	—	—	\$22202	—	—

			NG	C2	C3	CM	CN	CP
ET575V	S	L	\$18566	19242	—	—	—	19581
		C	\$25930	26606	—	—	—	26946
		W	\$27477	28155	—	—	—	28492

			CR	CA	CB	CD	CE
ET575V	S	L	—	—	—	—	\$20257
		C	—	—	—	—	\$27624
		W	—	—	—	—	\$29170

			NG	C2	C3	CM	CN	CP
ET576V	S	L	\$22541	—	23558	—	23896	—
		C	\$32265	—	33280	—	33618	—
		W	\$33957	—	34972	—	35313	—

			CR	CA	CB	CD	CE
ET576V	S	L	—	—	—	\$24913	—
		C	—	—	—	\$34637	—
		W	—	—	—	\$36330	—

			NG	C2	C3	CM	CN	CP
ET577V	S	L	\$24456	—	25472	—	25814	—
		C	\$34325	—	35343	—	35680	—
		W	\$36167	—	37182	—	37522	—

			CR	CA	CB	CD	CE
ET577V	S	L	—	—	—	\$26829	—
		C	—	—	—	\$36697	—
		W	—	—	—	\$38539	—

			NG	C2	C3	CM	CN	CP
ET578V	S	L	\$24898	—	25914	—	26253	—
		C	\$35649	—	36665	—	37005	—
		W	\$37641	—	38654	—	38995	—

			CR	CA	CB	CD	CE
ET578V	S	L	—	—	—	\$27270	—
		C	—	—	—	\$38023	—
		W	—	—	—	\$40011	—

Step 7.

Top Finish: Finish

For back-painted glass top (G)

8Q	folkstone grey (CP)	+\$0
91	white (CP)	+\$0
BK	black	+\$0
WN	warm grey neutral	+\$0

Top Finish: Finish

For thin profile HPL top with black edge (M)

91	white (CP)	+\$0
G1	graphite (CP)	+\$0
BK	black	+\$0

Top Finish: Solid-Color Laminate

For high-pressure laminate top with vinyl edge (L)

8Q	folkstone grey (CP)	+\$0
91	white (CP)	+\$0
98	studio white (CP)	+\$0
BKM	black matte	+\$0
CL	cool grey neutral	+\$0
HF	inner tone light	+\$0
LT	light tone	+\$0
LU	soft white	+\$0
WL	warm stone (CP)	+\$0
WN	warm grey neutral	+\$0

Eames® Standing Height Table, Oval

continued

Top Finish: Wood Veneer		
<i>For 30" deep x 60" wide (87V) with veneer top with vinyl edge (C)</i>		
2U	light brown walnut	+\$250
40	dark brown walnut	+\$250
9N	santos palisander	+\$950
A2	white ash	+\$250
CHD	noble cherry	+\$250
EN	ebony	+\$250
OU	walnut	+\$250
UL	natural maple	+\$250
WHN	natural white oak	+\$0

Top Finish: Wood Veneer		
<i>For 30" deep x 72" wide (88V) with veneer top with vinyl edge (C)</i>		
2U	light brown walnut	+\$265
40	dark brown walnut	+\$265
9N	santos palisander	+\$1009
A2	white ash	+\$265
CHD	noble cherry	+\$265
EN	ebony	+\$265
OU	walnut	+\$265
UL	natural maple	+\$265
WHN	natural white oak	+\$0

Top Finish: Wood Veneer		
<i>For 36" deep x 60" wide (49V) with veneer top with vinyl edge (C)</i>		
2U	light brown walnut	+\$265
40	dark brown walnut	+\$265
9N	santos palisander	+\$1009
A2	white ash	+\$265
CHD	noble cherry	+\$265
EN	ebony	+\$265
OU	walnut	+\$265
UL	natural maple	+\$265
WHN	natural white oak	+\$0

Top Finish: Wood Veneer		
<i>For 36" deep x 72" wide (43V) with veneer top with vinyl edge (C)</i>		
2U	light brown walnut	+\$290
40	dark brown walnut	+\$290
9N	santos palisander	+\$1104
A2	white ash	+\$290
CHD	noble cherry	+\$290
EN	ebony	+\$290
OU	walnut	+\$290
UL	natural maple	+\$290
WHN	natural white oak	+\$0

Top Finish: Wood Veneer		
<i>For 36" deep x 84" wide (44V) with veneer top with vinyl edge (C)</i>		
2U	light brown walnut	+\$305
40	dark brown walnut	+\$305
9N	santos palisander	+\$1161
A2	white ash	+\$305
CHD	noble cherry	+\$305
EN	ebony	+\$305
OU	walnut	+\$305
UL	natural maple	+\$305
WHN	natural white oak	+\$0

Top Finish: Wood Veneer		
<i>For 36" deep x 96" wide (89V) with veneer top with vinyl edge (C)</i>		
2U	light brown walnut	+\$330
40	dark brown walnut	+\$330
9N	santos palisander	+\$1420
A2	white ash	+\$330
CHD	noble cherry	+\$330
EN	ebony	+\$330
OU	walnut	+\$330
UL	natural maple	+\$330
WHN	natural white oak	+\$0

Top Finish: Wood Veneer		
<i>For 42" deep x 66" wide (50V) with veneer top with vinyl edge (C)</i>		
2U	light brown walnut	+\$290
40	dark brown walnut	+\$290
9N	santos palisander	+\$1160
A2	white ash	+\$290
CHD	noble cherry	+\$290
EN	ebony	+\$290
OU	walnut	+\$290
UL	natural maple	+\$290
WHN	natural white oak	+\$0

Top Finish: Wood Veneer		
<i>For 42" deep x 72" wide (51V) with veneer top with vinyl edge (C)</i>		
2U	light brown walnut	+\$305
40	dark brown walnut	+\$305
9N	santos palisander	+\$1220
A2	white ash	+\$305
CHD	noble cherry	+\$305
EN	ebony	+\$305
OU	walnut	+\$305
UL	natural maple	+\$305
WHN	natural white oak	+\$0

Eames® Standing Height Table, Oval

continued

Eames® Tables

Top Finish: Wood Veneer		
<i>For 42" deep x 78" wide (52V) with veneer top with vinyl edge (C)</i>		
2U	light brown walnut	+\$330
40	dark brown walnut	+\$330
9N	santos palisander	+\$1320
A2	white ash	+\$330
CHD	noble cherry	+\$330
EN	ebony	+\$330
OU	walnut	+\$330
UL	natural maple	+\$330
WHN	natural white oak	+\$0

Top Finish: Wood Veneer		
<i>For 42" deep x 84" wide (53V) with veneer top with vinyl edge (C)</i>		
2U	light brown walnut	+\$330
40	dark brown walnut	+\$330
9N	santos palisander	+\$1320
A2	white ash	+\$330
CHD	noble cherry	+\$330
EN	ebony	+\$330
OU	walnut	+\$330
UL	natural maple	+\$330
WHN	natural white oak	+\$0

Top Finish: Wood Veneer		
<i>For 48" deep x 84" wide (54V) with veneer top with vinyl edge (C)</i>		
2U	light brown walnut	+\$385
40	dark brown walnut	+\$385
9N	santos palisander	+\$1656
A2	white ash	+\$385
CHD	noble cherry	+\$385
EN	ebony	+\$385
OU	walnut	+\$385
UL	natural maple	+\$385
WHN	natural white oak	+\$0

Top Finish: Wood Veneer		
<i>For 48" deep x 96" wide (47V) with veneer top with vinyl edge (C)</i>		
2U	light brown walnut	+\$385
40	dark brown walnut	+\$385
9N	santos palisander	+\$1656
A2	white ash	+\$385
CHD	noble cherry	+\$385
EN	ebony	+\$385
OU	walnut	+\$385
UL	natural maple	+\$385
WHN	natural white oak	+\$0

Top Finish: Wood Veneer		
<i>For 54" deep x 90" wide (55V) with veneer top with vinyl edge (C)</i>		
2U	light brown walnut	+\$425
40	dark brown walnut	+\$425
9N	santos palisander	+\$1700
A2	white ash	+\$425
CHD	noble cherry	+\$425
EN	ebony	+\$425
OU	walnut	+\$425
UL	natural maple	+\$425
WHN	natural white oak	+\$0

Top Finish: Wood Veneer		
<i>For 54" deep x 96" wide (56V) with veneer top with vinyl edge (C)</i>		
2U	light brown walnut	+\$440
40	dark brown walnut	+\$440
9N	santos palisander	+\$1760
A2	white ash	+\$440
CHD	noble cherry	+\$440
EN	ebony	+\$440
OU	walnut	+\$440
UL	natural maple	+\$440
WHN	natural white oak	+\$0

Top Finish: Wood Veneer		
<i>For 54" deep x 108" wide (57V) with veneer top with vinyl edge (C)</i>		
2U	light brown walnut	+\$500
40	dark brown walnut	+\$500
9N	santos palisander	+\$2350
A2	white ash	+\$500
CHD	noble cherry	+\$500
EN	ebony	+\$500
OU	walnut	+\$500
UL	natural maple	+\$500
WHN	natural white oak	+\$0

Top Finish: Wood Veneer		
<i>For 54" deep x 120" wide (58V) with veneer top with vinyl edge (C)</i>		
2U	light brown walnut	+\$540
40	dark brown walnut	+\$540
9N	santos palisander	+\$2538
A2	white ash	+\$540
CHD	noble cherry	+\$540
EN	ebony	+\$540
OU	walnut	+\$540
UL	natural maple	+\$540
WHN	natural white oak	+\$0

Eames® Standing Height Table, Oval

continued

Top Finish: Wood Veneer		
<i>For 54" deep x 144" wide (60V) with veneer top with vinyl edge (C)</i>		
2U	light brown walnut	+\$585
40	dark brown walnut	+\$585
9N	santos palisander	+\$2750
A2	white ash	+\$585
CHD	noble cherry	+\$585
EN	ebony	+\$585
OU	walnut	+\$585
UL	natural maple	+\$585
WHN	natural white oak	+\$0

Top Finish: Wood Veneer		
<i>For 54" deep x 156" wide (61V) with veneer top with vinyl edge (C)</i>		
2U	light brown walnut	+\$635
40	dark brown walnut	+\$635
9N	santos palisander	+\$3175
A2	white ash	+\$635
CHD	noble cherry	+\$635
EN	ebony	+\$635
OU	walnut	+\$635
UL	natural maple	+\$635
WHN	natural white oak	+\$0

Top Finish: Wood Veneer		
<i>For 54" deep x 168" wide (62V) with veneer top with vinyl edge (C)</i>		
2U	light brown walnut	+\$690
40	dark brown walnut	+\$690
9N	santos palisander	+\$3450
A2	white ash	+\$690
CHD	noble cherry	+\$690
EN	ebony	+\$690
OU	walnut	+\$690
UL	natural maple	+\$690
WHN	natural white oak	+\$0

Top Finish: Wood Veneer		
<i>For 54" deep x 192" wide (64V) with veneer top with vinyl edge (C)</i>		
2U	light brown walnut	+\$755
40	dark brown walnut	+\$755
9N	santos palisander	+\$3775
A2	white ash	+\$755
CHD	noble cherry	+\$755
EN	ebony	+\$755
OU	walnut	+\$755
UL	natural maple	+\$755
WHN	natural white oak	+\$0

Top Finish: Wood Veneer		
<i>For 54" deep x 216" wide (66V) with veneer top with vinyl edge (C)</i>		
2U	light brown walnut	+\$815
40	dark brown walnut	+\$815
9N	santos palisander	+\$4075
A2	white ash	+\$815
CHD	noble cherry	+\$815
EN	ebony	+\$815
OU	walnut	+\$815
UL	natural maple	+\$815
WHN	natural white oak	+\$0

Top Finish: Wood Veneer		
<i>For 54" deep x 240" wide (68V) with veneer top with vinyl edge (C)</i>		
2U	light brown walnut	+\$880
40	dark brown walnut	+\$880
9N	santos palisander	+\$4400
A2	white ash	+\$880
CHD	noble cherry	+\$880
EN	ebony	+\$880
OU	walnut	+\$880
UL	natural maple	+\$880
WHN	natural white oak	+\$0

Top Finish: Wood Veneer		
<i>For 54" deep x 264" wide (70V) with veneer top with vinyl edge (C)</i>		
2U	light brown walnut	+\$950
40	dark brown walnut	+\$950
9N	santos palisander	+\$5320
A2	white ash	+\$950
CHD	noble cherry	+\$950
EN	ebony	+\$950
OU	walnut	+\$950
UL	natural maple	+\$950
WHN	natural white oak	+\$0

Top Finish: Wood Veneer		
<i>For 60" deep x 120" wide (71V) with veneer top with vinyl edge (C)</i>		
2U	light brown walnut	+\$680
40	dark brown walnut	+\$680
9N	santos palisander	+\$3180
A2	white ash	+\$680
CHD	noble cherry	+\$680
EN	ebony	+\$680
OU	walnut	+\$680
UL	natural maple	+\$680
WHN	natural white oak	+\$0

Eames® Standing Height Table, Oval

continued

Eames® Tables

Top Finish: Wood Veneer		
<i>For 60" deep x 144" wide (72V) with veneer top with vinyl edge (C)</i>		
2U	light brown walnut	+\$740
40	dark brown walnut	+\$740
9N	santos palisander	+\$3440
A2	white ash	+\$740
CHD	noble cherry	+\$740
EN	ebony	+\$740
OU	walnut	+\$740
UL	natural maple	+\$740
WHN	natural white oak	+\$0

Top Finish: Wood Veneer		
<i>For 60" deep x 156" wide (73V) with veneer top with vinyl edge (C)</i>		
2U	light brown walnut	+\$800
40	dark brown walnut	+\$800
9N	santos palisander	+\$3970
A2	white ash	+\$800
CHD	noble cherry	+\$800
EN	ebony	+\$800
OU	walnut	+\$800
UL	natural maple	+\$800
WHN	natural white oak	+\$0

Top Finish: Wood Veneer		
<i>For 60" deep x 168" wide (74V) with veneer top with vinyl edge (C)</i>		
2U	light brown walnut	+\$870
40	dark brown walnut	+\$870
9N	santos palisander	+\$4320
A2	white ash	+\$870
CHD	noble cherry	+\$870
EN	ebony	+\$870
OU	walnut	+\$870
UL	natural maple	+\$870
WHN	natural white oak	+\$0

Top Finish: Wood Veneer		
<i>For 60" deep x 192" wide (75V) with veneer top with vinyl edge (C)</i>		
2U	light brown walnut	+\$950
40	dark brown walnut	+\$950
9N	santos palisander	+\$4720
A2	white ash	+\$950
CHD	noble cherry	+\$950
EN	ebony	+\$950
OU	walnut	+\$950
UL	natural maple	+\$950
WHN	natural white oak	+\$0

Top Finish: Wood Veneer		
<i>For 60" deep x 216" wide (76V) with veneer top with vinyl edge (C)</i>		
2U	light brown walnut	+\$1020
40	dark brown walnut	+\$1020
9N	santos palisander	+\$5100
A2	white ash	+\$1020
CHD	noble cherry	+\$1020
EN	ebony	+\$1020
OU	walnut	+\$1020
UL	natural maple	+\$1020
WHN	natural white oak	+\$0

Top Finish: Wood Veneer		
<i>For 60" deep x 240" wide (77V) with veneer top with vinyl edge (C)</i>		
2U	light brown walnut	+\$1100
40	dark brown walnut	+\$1100
9N	santos palisander	+\$5500
A2	white ash	+\$1100
CHD	noble cherry	+\$1100
EN	ebony	+\$1100
OU	walnut	+\$1100
UL	natural maple	+\$1100
WHN	natural white oak	+\$0

Top Finish: Wood Veneer		
<i>For 60" deep x 264" wide (78V) with veneer top with vinyl edge (C)</i>		
2U	light brown walnut	+\$1190
40	dark brown walnut	+\$1190
9N	santos palisander	+\$6650
A2	white ash	+\$1190
CHD	noble cherry	+\$1190
EN	ebony	+\$1190
OU	walnut	+\$1190
UL	natural maple	+\$1190
WHN	natural white oak	+\$0

Top/Edge Finish		
<i>For 30" deep x 60" wide (87V) with veneer top with veneer edge (W)</i>		
2U	light brown walnut	+\$250
40	dark brown walnut	+\$250
9N	santos palisander	+\$950
A2	white ash	+\$250
CHD	noble cherry	+\$250
EN	ebony	+\$250
OU	walnut	+\$250
UL	natural maple	+\$250
WHN	natural white oak	+\$0

Eames® Standing Height Table, Oval

continued

Top/Edge Finish		
<i>For 30" deep x 72" wide (88V) with veneer top with veneer edge (W)</i>		
2U	light brown walnut	+\$265
40	dark brown walnut	+\$265
9N	santos palisander	+\$1009
A2	white ash	+\$265
CHD	noble cherry	+\$265
EN	ebony	+\$265
OU	walnut	+\$265
UL	natural maple	+\$265
WHN	natural white oak	+\$0

Top/Edge Finish		
<i>For 36" deep x 60" wide (49V) with veneer top with veneer edge (W)</i>		
2U	light brown walnut	+\$265
40	dark brown walnut	+\$265
9N	santos palisander	+\$1009
A2	white ash	+\$265
CHD	noble cherry	+\$265
EN	ebony	+\$265
OU	walnut	+\$265
UL	natural maple	+\$265
WHN	natural white oak	+\$0

Top/Edge Finish		
<i>For 36" deep x 72" wide (43V) with veneer top with veneer edge (W)</i>		
2U	light brown walnut	+\$290
40	dark brown walnut	+\$290
9N	santos palisander	+\$1104
A2	white ash	+\$290
CHD	noble cherry	+\$290
EN	ebony	+\$290
OU	walnut	+\$290
UL	natural maple	+\$290
WHN	natural white oak	+\$0

Top/Edge Finish		
<i>For 36" deep x 84" wide (44V) with veneer top with veneer edge (W)</i>		
2U	light brown walnut	+\$305
40	dark brown walnut	+\$305
9N	santos palisander	+\$1161
A2	white ash	+\$305
CHD	noble cherry	+\$305
EN	ebony	+\$305
OU	walnut	+\$305
UL	natural maple	+\$305
WHN	natural white oak	+\$0

Top/Edge Finish		
<i>For 36" deep x 96" wide (89V) with veneer top with veneer edge (W)</i>		
2U	light brown walnut	+\$330
40	dark brown walnut	+\$330
9N	santos palisander	+\$1420
A2	white ash	+\$330
CHD	noble cherry	+\$330
EN	ebony	+\$330
OU	walnut	+\$330
UL	natural maple	+\$330
WHN	natural white oak	+\$0

Top/Edge Finish		
<i>For 42" deep x 66" wide (50V) with veneer top with veneer edge (W)</i>		
2U	light brown walnut	+\$290
40	dark brown walnut	+\$290
9N	santos palisander	+\$1160
A2	white ash	+\$290
CHD	noble cherry	+\$290
EN	ebony	+\$290
OU	walnut	+\$290
UL	natural maple	+\$290
WHN	natural white oak	+\$0

Top/Edge Finish		
<i>For 42" deep x 72" wide (51V) with veneer top with veneer edge (W)</i>		
2U	light brown walnut	+\$305
40	dark brown walnut	+\$305
9N	santos palisander	+\$1220
A2	white ash	+\$305
CHD	noble cherry	+\$305
EN	ebony	+\$305
OU	walnut	+\$305
UL	natural maple	+\$305
WHN	natural white oak	+\$0

Top/Edge Finish		
<i>For 42" deep x 78" wide (52V) with veneer top with veneer edge (W)</i>		
2U	light brown walnut	+\$330
40	dark brown walnut	+\$330
9N	santos palisander	+\$1320
A2	white ash	+\$330
CHD	noble cherry	+\$330
EN	ebony	+\$330
OU	walnut	+\$330
UL	natural maple	+\$330
WHN	natural white oak	+\$0

Eames® Standing Height Table, Oval

continued

Eames® Tables

Top/Edge Finish		
<i>For 42" deep x 84" wide (53V) with veneer top with veneer edge (W)</i>		
2U	light brown walnut	+\$330
40	dark brown walnut	+\$330
9N	santos palisander	+\$1320
A2	white ash	+\$330
CHD	noble cherry	+\$330
EN	ebony	+\$330
OU	walnut	+\$330
UL	natural maple	+\$330
WHN	natural white oak	+\$0

Top/Edge Finish		
<i>For 48" deep x 84" wide (54V) with veneer top with veneer edge (W)</i>		
2U	light brown walnut	+\$385
40	dark brown walnut	+\$385
9N	santos palisander	+\$1656
A2	white ash	+\$385
CHD	noble cherry	+\$385
EN	ebony	+\$385
OU	walnut	+\$385
UL	natural maple	+\$385
WHN	natural white oak	+\$0

Top/Edge Finish		
<i>For 48" deep x 96" wide (47V) with veneer top with veneer edge (W)</i>		
2U	light brown walnut	+\$385
40	dark brown walnut	+\$385
9N	santos palisander	+\$1656
A2	white ash	+\$385
CHD	noble cherry	+\$385
EN	ebony	+\$385
OU	walnut	+\$385
UL	natural maple	+\$385
WHN	natural white oak	+\$0

Top/Edge Finish		
<i>For 54" deep x 90" wide (55V) with veneer top with veneer edge (W)</i>		
2U	light brown walnut	+\$425
40	dark brown walnut	+\$425
9N	santos palisander	+\$1700
A2	white ash	+\$425
CHD	noble cherry	+\$425
EN	ebony	+\$425
OU	walnut	+\$425
UL	natural maple	+\$425
WHN	natural white oak	+\$0

Top/Edge Finish		
<i>For 54" deep x 96" wide (56V) with veneer top with veneer edge (W)</i>		
CHD	noble cherry	+\$440
WHN	natural white oak	+\$0
2U	light brown walnut	+\$440
A2	white ash	+\$440
40	dark brown walnut	+\$440
EN	ebony	+\$440
OU	walnut	+\$440
UL	natural maple	+\$440
9N	santos palisander	+\$1760

Top/Edge Finish		
<i>For 54" deep x 108" wide (57V) with veneer top with veneer edge (W)</i>		
2U	light brown walnut	+\$500
40	dark brown walnut	+\$500
9N	santos palisander	+\$2350
A2	white ash	+\$500
CHD	noble cherry	+\$500
EN	ebony	+\$500
OU	walnut	+\$500
UL	natural maple	+\$500
WHN	natural white oak	+\$0

Top/Edge Finish		
<i>For 54" deep x 120" wide (58V) with veneer top with veneer edge (W)</i>		
2U	light brown walnut	+\$540
40	dark brown walnut	+\$540
9N	santos palisander	+\$2538
A2	white ash	+\$540
CHD	noble cherry	+\$540
EN	ebony	+\$540
OU	walnut	+\$540
UL	natural maple	+\$540
WHN	natural white oak	+\$0

Top/Edge Finish		
<i>For 54" deep x 144" wide (60V) with veneer top with veneer edge (W)</i>		
2U	light brown walnut	+\$585
40	dark brown walnut	+\$585
9N	santos palisander	+\$2750
A2	white ash	+\$585
CHD	noble cherry	+\$585
EN	ebony	+\$585
OU	walnut	+\$585
UL	natural maple	+\$585
WHN	natural white oak	+\$0

Eames® Standing Height Table, Oval

continued

Top/Edge Finish		
<i>For 54" deep x 156" wide (61V) with veneer top with veneer edge (W)</i>		
2U	light brown walnut	+\$635
40	dark brown walnut	+\$635
9N	santos palisander	+\$3175
A2	white ash	+\$635
CHD	noble cherry	+\$635
EN	ebony	+\$635
OU	walnut	+\$635
UL	natural maple	+\$635
WHN	natural white oak	+\$0

Top/Edge Finish		
<i>For 54" deep x 168" wide (62V) with veneer top with veneer edge (W)</i>		
2U	light brown walnut	+\$690
40	dark brown walnut	+\$690
9N	santos palisander	+\$3450
A2	white ash	+\$690
CHD	noble cherry	+\$690
EN	ebony	+\$690
OU	walnut	+\$690
UL	natural maple	+\$690
WHN	natural white oak	+\$0

Top/Edge Finish		
<i>For 54" deep x 192" wide (64V) with veneer top with veneer edge (W)</i>		
2U	light brown walnut	+\$755
40	dark brown walnut	+\$755
9N	santos palisander	+\$3775
A2	white ash	+\$755
CHD	noble cherry	+\$755
EN	ebony	+\$755
OU	walnut	+\$755
UL	natural maple	+\$755
WHN	natural white oak	+\$0

Top/Edge Finish		
<i>For 54" deep x 216" wide (66V) with veneer top with veneer edge (W)</i>		
2U	light brown walnut	+\$815
40	dark brown walnut	+\$815
9N	santos palisander	+\$4075
A2	white ash	+\$815
CHD	noble cherry	+\$815
EN	ebony	+\$815
OU	walnut	+\$815
UL	natural maple	+\$815
WHN	natural white oak	+\$0

Top/Edge Finish		
<i>For 54" deep x 240" wide (68V) with veneer top with veneer edge (W)</i>		
2U	light brown walnut	+\$880
40	dark brown walnut	+\$880
9N	santos palisander	+\$4400
A2	white ash	+\$880
CHD	noble cherry	+\$880
EN	ebony	+\$880
OU	walnut	+\$880
UL	natural maple	+\$880
WHN	natural white oak	+\$0

Top/Edge Finish		
<i>For 54" deep x 264" wide (70V) with veneer top with veneer edge (W)</i>		
2U	light brown walnut	+\$950
40	dark brown walnut	+\$950
9N	santos palisander	+\$5320
A2	white ash	+\$950
CHD	noble cherry	+\$950
EN	ebony	+\$950
OU	walnut	+\$950
UL	natural maple	+\$950
WHN	natural white oak	+\$0

Top/Edge Finish		
<i>For 60" deep x 120" wide (71V) with veneer top with veneer edge (W)</i>		
2U	light brown walnut	+\$680
40	dark brown walnut	+\$680
9N	santos palisander	+\$3180
A2	white ash	+\$680
CHD	noble cherry	+\$680
EN	ebony	+\$680
OU	walnut	+\$680
UL	natural maple	+\$680
WHN	natural white oak	+\$0

Top/Edge Finish		
<i>For 60" deep x 144" wide (72V) with veneer top with veneer edge (W)</i>		
2U	light brown walnut	+\$740
40	dark brown walnut	+\$740
9N	santos palisander	+\$3440
A2	white ash	+\$740
CHD	noble cherry	+\$740
EN	ebony	+\$740
OU	walnut	+\$740
UL	natural maple	+\$740
WHN	natural white oak	+\$0

Eames® Standing Height Table, Oval

continued

Eames® Tables

Top/Edge Finish		
<i>For 60" deep x 156" wide (73V) with veneer top with veneer edge (W)</i>		
2U	light brown walnut	+\$800
40	dark brown walnut	+\$800
9N	santos palisander	+\$3970
A2	white ash	+\$800
CHD	noble cherry	+\$800
EN	ebony	+\$800
OU	walnut	+\$800
UL	natural maple	+\$800
WHN	natural white oak	+\$0

Top/Edge Finish		
<i>For 60" deep x 168" wide (74V) with veneer top with veneer edge (W)</i>		
2U	light brown walnut	+\$870
40	dark brown walnut	+\$870
9N	santos palisander	+\$4320
A2	white ash	+\$870
CHD	noble cherry	+\$870
EN	ebony	+\$870
OU	walnut	+\$870
UL	natural maple	+\$870
WHN	natural white oak	+\$0

Top/Edge Finish		
<i>For 60" deep x 192" wide (75V) with veneer top with veneer edge (W)</i>		
2U	light brown walnut	+\$950
40	dark brown walnut	+\$950
9N	santos palisander	+\$4720
A2	white ash	+\$950
CHD	noble cherry	+\$950
EN	ebony	+\$950
OU	walnut	+\$950
UL	natural maple	+\$950
WHN	natural white oak	+\$0

Top/Edge Finish		
<i>For 60" deep x 216" wide (76V) with veneer top with veneer edge (W)</i>		
2U	light brown walnut	+\$1020
40	dark brown walnut	+\$1020
9N	santos palisander	+\$5100
A2	white ash	+\$1020
CHD	noble cherry	+\$1020
EN	ebony	+\$1020
OU	walnut	+\$1020
UL	natural maple	+\$1020
WHN	natural white oak	+\$0

Top/Edge Finish		
<i>For 60" deep x 240" wide (77V) with veneer top with veneer edge (W)</i>		
2U	light brown walnut	+\$1100
40	dark brown walnut	+\$1100
9N	santos palisander	+\$5500
A2	white ash	+\$1100
CHD	noble cherry	+\$1100
EN	ebony	+\$1100
OU	walnut	+\$1100
UL	natural maple	+\$1100
WHN	natural white oak	+\$0

Top/Edge Finish		
<i>For 60" deep x 264" wide (78V) with veneer top with veneer edge (W)</i>		
2U	light brown walnut	+\$1190
40	dark brown walnut	+\$1190
9N	santos palisander	+\$6650
A2	white ash	+\$1190
CHD	noble cherry	+\$1190
EN	ebony	+\$1190
OU	walnut	+\$1190
UL	natural maple	+\$1190
WHN	natural white oak	+\$0

Step 8. Edge Finish		
<i>For high-pressure laminate top with vinyl edge (L) or veneer top with vinyl edge (C)</i>		
8Q	folkstone grey (CP)	+\$0
91	white (CP)	+\$0
98	studio white (CP)	+\$0
BK	black	+\$0
CL	cool grey neutral	+\$0
HF	inner tone light	+\$0
LT	light tone	+\$0
LU	soft white	+\$0
SG	slate grey	+\$0
WL	warm stone (CP)	+\$0
WN	warm grey neutral	+\$0

Step 9. Grommet Finish		
<i>For 2 round cutouts, over columns (C2) or 3 round cutouts, over columns (C3)</i>		
91	white (CP)	+\$0
BK	black	+\$0
PA	polished aluminum	+\$0

Eames® Standing Height Table, Oval

continued

For single centered oval cutout (CR) or 2 round cutouts and center oval cutout (CA)

91	white (CP)	+\$0
BK	black	+\$0
PA	polished aluminum	+\$150

For 2 oval cutouts (CM) or 2 round cutouts and 2 oval cutouts (CB)

91	white (CP)	+\$0
BK	black	+\$0
PA	polished aluminum	+\$300

For 3 oval cutouts (CP) or 2 round cutouts and 3 oval cutouts (CE)

91	white (CP)	+\$0
BK	black	+\$0
PA	polished aluminum	+\$450

For 4 oval cutouts (CN) or 3 round cutouts and 4 oval cutouts (CD)

91	white (CP)	+\$0
BK	black	+\$0
PA	polished aluminum	+\$0
PA	polished aluminum	+\$600

Step 10. Column Finish

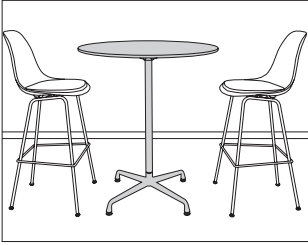
611	beige mist metallic (CP)	+\$0
613	silver (CP)	+\$0
G1	graphite (CP)	+\$0
91	white (CP)	+\$0
BK	black	+\$0
CL	cool grey neutral	+\$0
HF	inner tone light	+\$0
LT	light tone	+\$0
LU	soft white	+\$0
MT	medium tone	+\$0
SG	slate grey	+\$0
WN	warm grey neutral	+\$0
EH	metallic bronze	+\$0

Step 11. Base Finish

611	beige mist metallic (CP)	+\$0
613	silver (CP)	+\$0
G1	graphite (CP)	+\$0
91	white (CP)	+\$0
BK	black	+\$0
CL	cool grey neutral	+\$0
HF	inner tone light	+\$0
LT	light tone	+\$0
LU	soft white	+\$0
MT	medium tone	+\$0
PA	polished aluminum	+\$0
SG	slate grey	+\$0
WN	warm grey neutral	+\$0
EH	metallic bronze	+\$0

Eames® Standing Height Table,
Round, Stone

- ET407
- ET408
- ET409
- ET410
- ET507
- ET508
- ET509
- ET510



Eames® Tables

Product Information

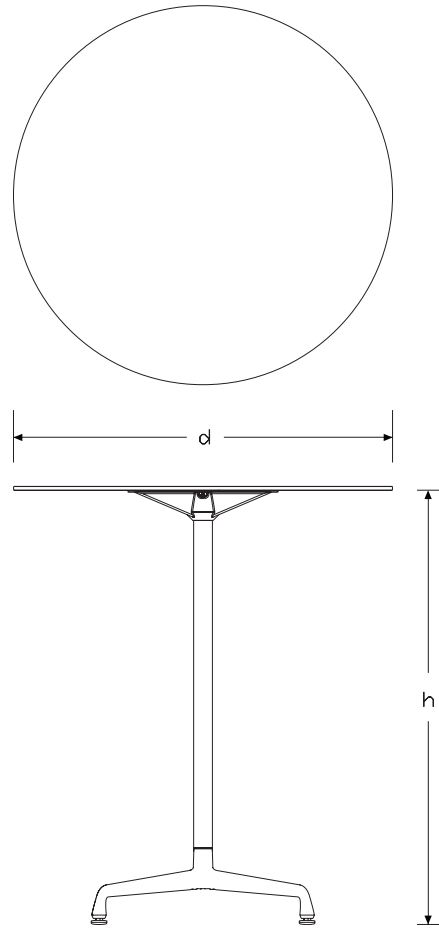
Description

This table has a stone top and comes with adjustable glides. Ships knocked down with assembly required. Top and base components ship in separate packages.

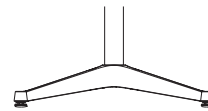
Notes

Stone top is 3/4" thick and has a full bullnose edge profile.
 Marble tops have a honed finish; quartz tops have a polished finish.
 Natural characteristics in stone cause variations in hues, veins, crystals, and distinctive marks. These variations and subtle changes seen as the stone ages are values associated with natural materials. No two tabletops are identically the same; variations in both color and veining are to be expected. Over time the stone may fade in color, staining of the surface may appear, and surface cracks, if not already visible at time of purchase, may appear. Small cracks do not affect the structure of the tabletop.

Dimensions



Universal Base



Contract Base

Eames® Standing Height Table,
Round, Stone *continued*

Specification Information

Step 1.

ET A

Step 2. Height

4 36" high A

5 42" high A

Step 3. Diameter

07 30" diameter A

08 36" diameter A

09 42" diameter A

10 48" diameter A

Step 4. Base

For 30" diameter (07) or 36" diameter (08)

U universal base A

C contract base A

For 42" diameter (09) or 48" diameter (10)

C contract base A

Step 5. Surface Material

S stone top A

Prices for Steps 1-5.

	S
ET407 U	\$6104
C	\$6104
ET408 U	\$7335
C	\$7335
ET409 C	\$10610
ET410 C	\$10985
ET507 U	\$6104
C	\$6104
ET508 U	\$7335
C	\$7335
ET509 C	\$10610
ET510 C	\$10985

Step 6. Top Finish

For 30" diameter (07) with stone top (S)

5U georgia grey marble A +\$436

CRR Carrara marble A +\$436

QBL black quartz A +\$270

QCN concrete quartz A -\$250

QPL pearl quartz A -\$250

For 36" diameter (08) with stone top (S)

5U georgia grey marble A +\$526

CRR Carrara marble A +\$0

QBL black quartz A -\$300

QCN concrete quartz A -\$900

QPL pearl quartz A -\$900

For 42" diameter (09) with stone top (S)

5U georgia grey marble A +\$610

CRR Carrara marble A -\$1000

QBL black quartz A -\$1200

QCN concrete quartz A -\$1800

QPL pearl quartz A -\$1800

For 48" diameter (10) with stone top (S)

5U georgia grey marble A +\$711

CRR Carrara marble A -\$1000

QBL black quartz A -\$1200

QCN concrete quartz A -\$1800

QPL pearl quartz A -\$1800

Step 7. Column Finish

611 beige mist metallic (CP) A +\$0

613 silver (CP) A +\$0

G1 graphite (CP) A +\$0

91 white (CP) A +\$0

BK black A +\$0

CL cool grey neutral A +\$0

HF inner tone light A +\$0

LT light tone A +\$0

LU soft white A +\$0

MT medium tone A +\$0

SG slate grey A +\$0

WN warm grey neutral A +\$0

EH metallic bronze A +\$0

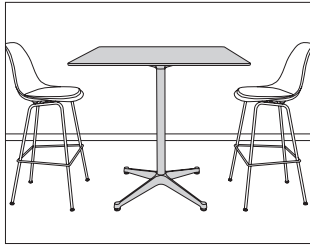
Eames® Standing Height Table,
 Round, Stone *continued*

Eames® Tables

Step 8. Base Finish		
611	beige mist metallic (CP) <input type="checkbox"/> A	+\$0
613	silver (CP) <input type="checkbox"/> A	+\$0
G1	graphite (CP) <input type="checkbox"/> A	+\$0
91	white (CP) <input type="checkbox"/> A	+\$0
BK	black <input type="checkbox"/> A	+\$0
CL	cool grey neutral <input type="checkbox"/> A	+\$0
HF	inner tone light <input type="checkbox"/> A	+\$0
LT	light tone <input type="checkbox"/> A	+\$0
LU	soft white <input type="checkbox"/> A	+\$0
MT	medium tone <input type="checkbox"/> A	+\$0
PA	polished aluminum <input type="checkbox"/> A	+\$0
SG	slate grey <input type="checkbox"/> A	+\$0
WN	warm grey neutral <input type="checkbox"/> A	+\$0
EH	metallic bronze <input type="checkbox"/> A	+\$0

Eames® Standing Height Table,
Square, Stone

ET404
ET406
ET504
ET506



Product Information

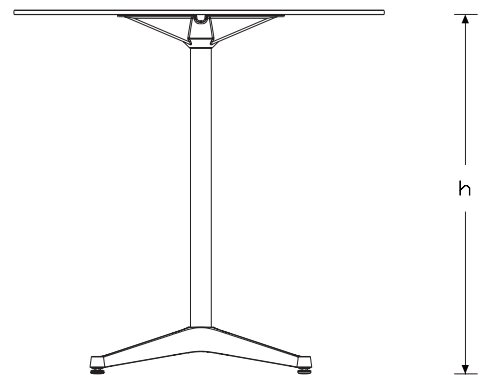
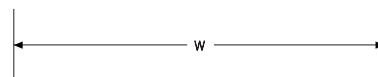
Description

This table has a stone top and comes with adjustable glides. Ships knocked down with assembly required. Top and base components ship in separate packages.

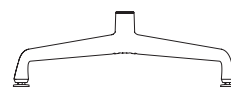
Notes

Stone top is 3/4" thick and has a full bullnose edge profile.
Marble tops have a honed finish; quartz tops have a polished finish.
Natural characteristics in stone cause variations in hues, veins, crystals, and distinctive marks. These variations and subtle changes seen as the stone ages are values associated with natural materials. No two tabletops are identically the same; variations in both color and veining are to be expected. Over time the stone may fade in color, staining of the surface may appear, and surface cracks, if not already visible at time of purchase, may appear. Small cracks do not affect the structure of the tabletop.

Dimensions



Contract Base



Universal Base

Eames® Standing Height Table,
Square, Stone *continued*

Specification Information

Step 1.

ET A

Step 2. Height

4 36" high A

5 42" high A

Step 3. Depth/Width

04 30" deep x 30" wide A

06 42" deep x 42" wide A

Step 4. Base

For 30" deep x 30" wide (04)

U universal base A

C contract base A

For 42" deep x 42" wide (06)

C contract base A

Step 5. Surface Material

S stone top A

Prices for Steps 1-5.

	S
ET404 U	\$6104
C	\$6104
ET406 C	\$10610
ET504 U	\$6104
C	\$6104
ET506 C	\$10610

Step 6. Top Finish

For 30" deep x 30" wide (04) with stone top (S)

5U georgia grey marble A +\$436

CRR Carrara marble A +\$436

QBL black quartz A +\$270

QCN concrete quartz A -\$250

QPL pearl quartz A -\$250

For 42" deep x 42" wide (06) with stone top (S)

5U georgia grey marble A +\$610

CRR Carrara marble A -\$1000

QBL black quartz A -\$1200

QCN concrete quartz A -\$1800

QPL pearl quartz A -\$1800

Step 7. Column Finish

611 beige mist metallic (CP) A +\$0

613 silver (CP) A +\$0

G1 graphite (CP) A +\$0

91 white (CP) A +\$0

BK black A +\$0

CL cool grey neutral A +\$0

HF inner tone light A +\$0

LT light tone A +\$0

LU soft white A +\$0

MT medium tone A +\$0

SG slate grey A +\$0

WN warm grey neutral A +\$0

EH metallic bronze A +\$0

Step 8. Base Finish

611 beige mist metallic (CP) A +\$0

613 silver (CP) A +\$0

G1 graphite (CP) A +\$0

91 white (CP) A +\$0

BK black A +\$0

CL cool grey neutral A +\$0

HF inner tone light A +\$0

LT light tone A +\$0

LU soft white A +\$0

MT medium tone A +\$0

PA polished aluminum A +\$0

SG slate grey A +\$0

WN warm grey neutral A +\$0

EH metallic bronze A +\$0

Eames® Standing Height Table,
Rectangular, Stone

ET443
ET450
ET452
ET487
ET543
ET550
ET552
ET587



Product Information

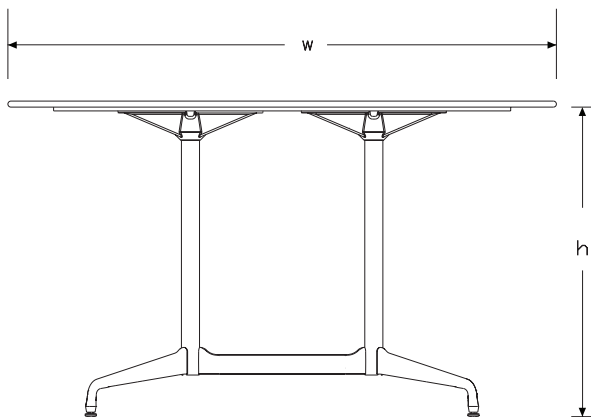
Description

This table has a stone top and comes with adjustable glides. Ships knocked down with assembly required. Top and base components ship in separate packages.

Notes

Stone top is 3/4" thick and has a full bullnose edge profile.
Marble tops have a honed finish; quartz tops have a polished finish.
Natural characteristics in stone cause variations in hues, veins, crystals, and distinctive marks. These variations and subtle changes seen as the stone ages are values associated with natural materials. No two tabletops are identically the same; variations in both color and veining are to be expected. Over time the stone may fade in color, staining of the surface may appear, and surface cracks, if not already visible at time of purchase, may appear. Small cracks do not affect the structure of the tabletop.

Dimensions



Segmented Base

Specification Information

Step 1.

ET A

Step 2. Height

4 36" high A
5 42" high A

Step 3. Depth/Width

87R 30" deep x 60" wide A
43R 36" deep x 72" wide A
50R 42" deep x 66" wide A
52R 42" deep x 78" wide A

Step 4. Base

S segmented base A

Step 5. Surface Material

S stone top A

Prices for Steps 1-5.

	S
ET487R S	\$14302
ET443R S	\$15961
ET450R S	\$15548
ET452R S	\$16364
ET587R S	\$14024
ET543R S	\$15961
ET550R S	\$15246
ET552R S	\$16046

Step 6. Top Finish

For 30" deep x 60" wide (87R) with stone top (S)

5U georgia grey marble <input type="checkbox"/> A	+\$1026
CRR Carrara marble <input type="checkbox"/> A	-\$500
QBL black quartz <input type="checkbox"/> A	-\$1400
QCN concrete quartz <input type="checkbox"/> A	-\$2200
QPL pearl quartz <input type="checkbox"/> A	-\$2200

Eames® Standing Height Table,
Rectangular, Stone *continued*

Eames® Tables

For 36" deep x 72" wide (43R) with stone top (S)

5U	georgia grey marble <input type="checkbox"/>	+\$1148
CRR	Carrara marble <input type="checkbox"/>	-\$500
QBL	black quartz <input type="checkbox"/>	-\$1200
QCN	concrete quartz <input type="checkbox"/>	-\$3000
QPL	pearl quartz <input type="checkbox"/>	-\$3000

For 42" deep x 66" wide (50R) with stone top (S)

5U	georgia grey marble <input type="checkbox"/>	+\$0
CRR	Carrara marble <input type="checkbox"/>	-\$500
QBL	black quartz <input type="checkbox"/>	-\$1400
QCN	concrete quartz <input type="checkbox"/>	-\$3000
QPL	pearl quartz <input type="checkbox"/>	-\$3000

For 42" deep x 78" wide (52R) with stone top (S)

5U	georgia grey marble <input type="checkbox"/>	+\$0
CRR	Carrara marble <input type="checkbox"/>	-\$800
QBL	black quartz <input type="checkbox"/>	-\$1200
QCN	concrete quartz <input type="checkbox"/>	-\$3000
QPL	pearl quartz <input type="checkbox"/>	-\$3000

Step 7. Column Finish

611	beige mist metallic (CP) <input type="checkbox"/>	+\$0
613	silver (CP) <input type="checkbox"/>	+\$0
G1	graphite (CP) <input type="checkbox"/>	+\$0
91	white (CP) <input type="checkbox"/>	+\$0
BK	black <input type="checkbox"/>	+\$0
CL	cool grey neutral <input type="checkbox"/>	+\$0
HF	inner tone light <input type="checkbox"/>	+\$0
LT	light tone <input type="checkbox"/>	+\$0
LU	soft white <input type="checkbox"/>	+\$0
MT	medium tone <input type="checkbox"/>	+\$0
SG	slate grey <input type="checkbox"/>	+\$0
WN	warm grey neutral <input type="checkbox"/>	+\$0
EH	metallic bronze <input type="checkbox"/>	+\$0

Step 8. Base Finish

611	beige mist metallic (CP) <input type="checkbox"/>	+\$0
613	silver (CP) <input type="checkbox"/>	+\$0
G1	graphite (CP) <input type="checkbox"/>	+\$0
91	white (CP) <input type="checkbox"/>	+\$0
BK	black <input type="checkbox"/>	+\$0
CL	cool grey neutral <input type="checkbox"/>	+\$0
HF	inner tone light <input type="checkbox"/>	+\$0
LT	light tone <input type="checkbox"/>	+\$0
LU	soft white <input type="checkbox"/>	+\$0
MT	medium tone <input type="checkbox"/>	+\$0
PA	polished aluminum <input type="checkbox"/>	+\$0
SG	slate grey <input type="checkbox"/>	+\$0
WN	warm grey neutral <input type="checkbox"/>	+\$0
EH	metallic bronze <input type="checkbox"/>	+\$0

Eames® Standing Height Table, Oval, Stone

ET443
ET450
ET452
ET487
ET543
ET550
ET552
ET587



Product Information

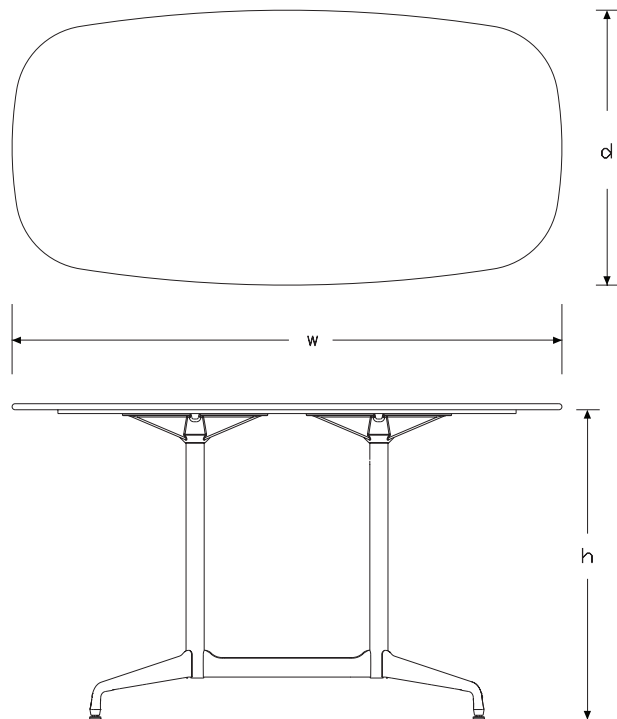
Description

This table has a stone top and comes with adjustable glides. Ships knocked down with assembly required. Top and base components ship in separate packages.

Notes

Stone top is 3/4" thick and has a full bullnose edge profile.
Marble tops have a honed finish; quartz tops have a polished finish.
Natural characteristics in stone cause variations in hues, veins, crystals, and distinctive marks. These variations and subtle changes seen as the stone ages are values associated with natural materials. No two tabletops are identically the same; variations in both color and veining are to be expected. Over time the stone may fade in color, staining of the surface may appear, and surface cracks, if not already visible at time of purchase, may appear. Small cracks do not affect the structure of the tabletop.

Dimensions



Segmented Base

Specification Information

Step 1.

ET A

Step 2. Height

4 36" high A
5 42" high A

Step 3. Depth/Width

87V 30" deep x 60" wide A
43V 36" deep x 72" wide A
50V 42" deep x 66" wide A
52V 42" deep x 78" wide A

Step 4. Base

S segmented base A

Step 5. Surface Material

S stone top A

Prices for Steps 1-5.

	S
ET487V S	\$14302
ET443V S	\$15961
ET450V S	\$15548
ET452V S	\$16364
ET587V S	\$14024
ET543V S	\$15961
ET550V S	\$15246
ET552V S	\$16046

Step 6. Top Finish

For 30" deep x 60" wide (87V) with stone top (S)

5U georgia grey marble <input type="checkbox"/> A	+\$700
CRR Carrara marble <input type="checkbox"/> A	+\$450
QBL black quartz <input type="checkbox"/> A	-\$400
QCN concrete quartz <input type="checkbox"/> A	-\$1200
QPL pearl quartz <input type="checkbox"/> A	-\$1200

Eames® Standing Height Table, Oval,
Stone *continued*

Eames® Tables

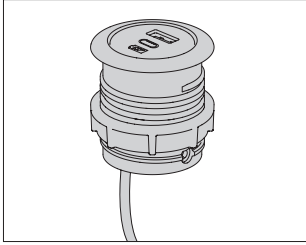
For 36" deep x 72" wide (43V) with stone top (S)		
5U	georgia grey marble <input type="checkbox"/>	+\$0
CRR	Carrara marble <input type="checkbox"/>	-\$300
QBL	black quartz <input type="checkbox"/>	-\$350
QCN	concrete quartz <input type="checkbox"/>	-\$2000
QPL	pearl quartz <input type="checkbox"/>	-\$2000

For 42" deep x 66" wide (50V) with stone top (S)		
5U	georgia grey marble <input type="checkbox"/>	+\$1117
CRR	Carrara marble <input type="checkbox"/>	+\$500
QBL	black quartz <input type="checkbox"/>	-\$500
QCN	concrete quartz <input type="checkbox"/>	-\$2000
QPL	pearl quartz <input type="checkbox"/>	-\$2000

For 42" deep x 78" wide (52V) with stone top (S)		
5U	georgia grey marble <input type="checkbox"/>	+\$1177
CRR	Carrara marble <input type="checkbox"/>	+\$500
QBL	black quartz <input type="checkbox"/>	-\$500
QCN	concrete quartz <input type="checkbox"/>	-\$2000
QPL	pearl quartz <input type="checkbox"/>	-\$2000

Step 7. Column Finish		
611	beige mist metallic (CP) <input type="checkbox"/>	+\$0
613	silver (CP) <input type="checkbox"/>	+\$0
G1	graphite (CP) <input type="checkbox"/>	+\$0
91	white (CP) <input type="checkbox"/>	+\$0
BK	black <input type="checkbox"/>	+\$0
CL	cool grey neutral <input type="checkbox"/>	+\$0
HF	inner tone light <input type="checkbox"/>	+\$0
LT	light tone <input type="checkbox"/>	+\$0
LU	soft white <input type="checkbox"/>	+\$0
MT	medium tone <input type="checkbox"/>	+\$0
SG	slate grey <input type="checkbox"/>	+\$0
WN	warm grey neutral <input type="checkbox"/>	+\$0
EH	metallic bronze <input type="checkbox"/>	+\$0

Step 8. Base Finish		
611	beige mist metallic (CP) <input type="checkbox"/>	+\$0
613	silver (CP) <input type="checkbox"/>	+\$0
G1	graphite (CP) <input type="checkbox"/>	+\$0
91	white (CP) <input type="checkbox"/>	+\$0
BK	black <input type="checkbox"/>	+\$0
CL	cool grey neutral <input type="checkbox"/>	+\$0
HF	inner tone light <input type="checkbox"/>	+\$0
LT	light tone <input type="checkbox"/>	+\$0
LU	soft white <input type="checkbox"/>	+\$0
MT	medium tone <input type="checkbox"/>	+\$0
PA	polished aluminum <input type="checkbox"/>	+\$0
SG	slate grey <input type="checkbox"/>	+\$0
WN	warm grey neutral <input type="checkbox"/>	+\$0
EH	metallic bronze <input type="checkbox"/>	+\$0



Product Information

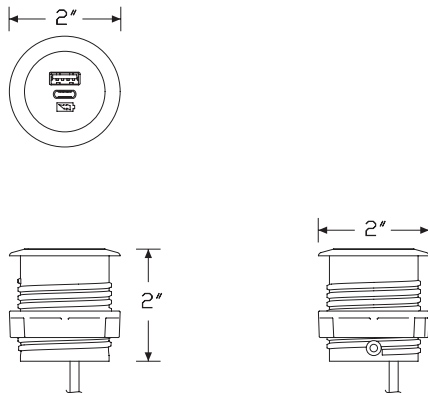
Description

This round dual USB charging unit works with small Eames® tables (30" or 36" round or square tops) with a universal or contract base. Unit is powered using a standard power cord with plug end.

Notes

Unit provides 2 amps per port.
 Can be used with Eames round or square tables (30", 36") in occasional, collaborative lounge, conference, or standing heights, ordered separately.

Dimensions



Specification Information

Step 1.

ET990. A

Step 2. Configuration

- A** 1 dual USB-A
- B** 1 USB-C 18W
- C** 1 USB-C 60W
- D** 1 USB A + C

Step 3. Cord Length

For 1 dual USB-A (A)

- 02** 2' cord A
- 04** 4' cord A
- 10** 10' cord A
- 20** 20' cord A

For 1 USB-C 18W (B) or 1 USB-C 60W (C)

- 06** 6' cord A

For 1 USB A + C (D)

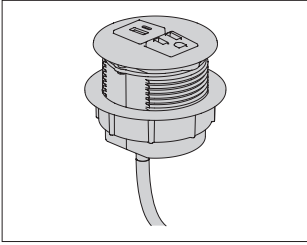
- 02** 2' cord A
- 04** 4' cord A
- 06** 6' cord A
- 10** 10' cord A
- 12** 12' cord A
- 20** 20' cord A

Prices for Steps 1-3.

	02	04	06	10	12	20
ET990. A	\$592	592	—	631	—	673
B	—	—	\$614	—	—	—
C	—	—	\$627	—	—	—
D	\$607	607	640	642	670	691

Step 4. Finish

- 91** white bezel, white faceplate A +\$0
- BK** black bezel, black faceplate A +\$0
- PA91** polished aluminum bezel, white faceplate A +\$150
- PABK** polished aluminum bezel, black faceplate A +\$150



Product Information

Description

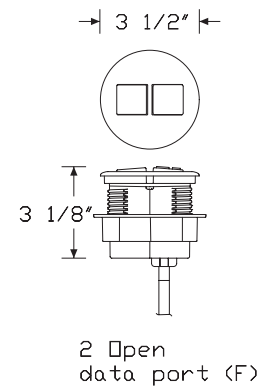
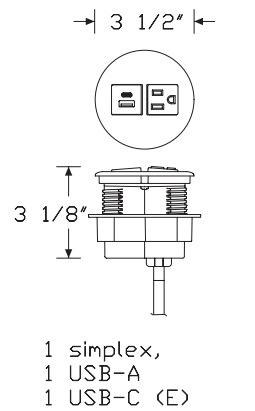
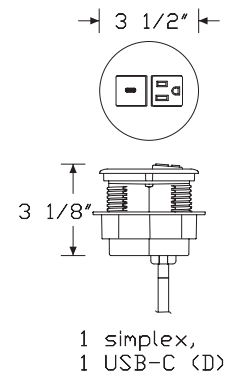
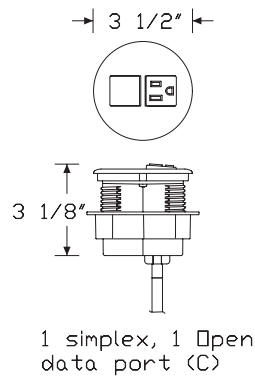
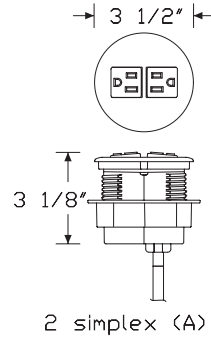
This power module offers a range of power, data and USB configurations for use on large Eames® tables with contract or segmented bases. This unit may be used in place of any of the round grommets over the column(s) of Eames contract or segmented base tables with tops larger than 36". Power module is UL listed and available with 15-amp cord or an open end for hard-wiring.

Notes

Field cutting of grommet cutouts is possible; factory cutouts are recommended.

This unit will not work on 30" or 36" round or square Eames tables with universal or contract bases.

Dimensions



Round Power Module *continued*

Specification Information

Step 1.

ET991. A

Step 2. Configuration

- A** 2 simplex receptacles A
- C** 1 simplex receptacle, 1 open data port A
- D** 1 simplex receptacle, 1 USB-C (18W) A
- E** 1 simplex receptacle, 1 USB-A and 1 USB-C A
- F** 2 open data port A

Step 3. Power Type

For 2 simplex receptacles (A), 1 simplex receptacle, 1 open data port (C), 1 simplex receptacle, 1 USB-C (18W) (D), or 1 simplex receptacle, 1 USB-A and 1 USB-C (E)

- A** power cord with plug end A
- B** conduit with open end, for hard-wiring A

For 2 open data port (F)

- C** no power A

Step 4. Cord/Conduit Length

For power cord with plug end (A)

- 02** 2' cord A
- 04** 4' cord A
- 10** 10' cord A
- 20** 20' cord A

For conduit with open end, for hard-wiring (B)

- 02** 2' conduit A
- 04** 4' conduit A
- 10** 10' conduit A
- 20** 20' conduit A

For no power (C)

- NC** no cord/conduit A

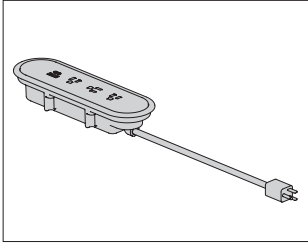
Prices for Steps 1-4.

		NC	02	04	10	20
ET991. A	A	—	\$381	381	416	461
	B	—	\$389	431	573	794
C	A	—	\$381	381	416	461
	B	—	\$389	431	573	794
D	A	—	\$622	622	635	661
	B	—	\$635	661	716	809

E	A	—	\$540	540	554	582
	B	—	\$554	567	635	728
F	C	\$393	—	—	—	—

Step 5. Finish

- 91** white faceplate, white simplex A +\$0
- BK** black faceplate, black simplex A +\$0
- PA91** polished aluminum faceplate, white simplex A +\$0
- PABK** polished aluminum faceplate, black simplex A +\$0



Product Information

Description

This power module works on rectangular and oval Eames® tables with segmented base. It comes in configurations of 4 simplex receptacles, 3 simplex receptacles and 1 dual USB A charging port, or 3 simplex receptacles and 1 USB A/C combo charging port. Unit is powered using a standard power cord with plug end or a hard-wired connection with electrical conduit. This product is UL listed.

Notes

Eames oval or rectangular tables 10L-14L may utilize any of the following power solutions if proper cutouts are selected as part of the table specification:

- 2 individual oval power modules (ET992.)
- 2 individual oval power modules with undermount power (ET994.)
- 1 pair of oval power modules (ET993.)
- 1 pair of oval power modules with undermount power (ET995.)
- Up to 2 round power modules (ET991.)

Eames oval or rectangular tables 16L may utilize any of the following power solutions if proper cutouts are selected as part of the table specification:

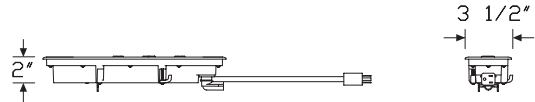
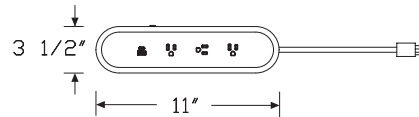
- 3 individual oval power modules (ET992.)
- 2 individual oval power modules with undermount power (ET994.) in conjunction with 1 additional oval power module (ET992.) in the center
- 1 pair of oval power modules (ET993.) with 1 additional oval power module (ET992.) at one end
- 1 pair of oval power modules with undermount power (ET995.) in conjunction with 1 additional oval power module (ET992.)
- Up to 2 round power modules (ET991.)

Eames oval or rectangular tables 18L and larger may utilize any of the following power solutions if proper cutouts are selected as part of the table specification:

- 2 pair of oval power modules (ET993.)
- 2 pair of oval power modules with undermount power (ET995.)
- 2 individual oval power modules with undermount power (ET994.) for each end of the table, in conjunction with 2 additional oval power modules (ET992.) in the center
- 4 individual oval power modules (ET992.)
- Up to 3 round power modules (ET991.)

Field cutting of grommet cutouts is possible; factory cutouts are recommended.

Dimensions



Specification Information

Step 1.

ET992. A

Step 2. Configuration

- A 4 simplex receptacles A
- B 3 simplex receptacles, 1 dual USB A A
- C 3 simplex receptacles, 1 USB A/C Combo A

Step 3. Power Type

- A power cord with plug end A
- B conduit with open end, for hard-wiring A

Step 4. Cord/Conduit Length

For power cord with plug end (A)

- 04 4' cord A
- 06 6' cord A
- 10 10' cord A
- 20 20' cord A

For conduit with open end, for hard-wiring (B)

- 04 4' conduit A
- 06 6' conduit A
- 10 10' conduit A
- 20 20' conduit A

Prices for Steps 1-4.

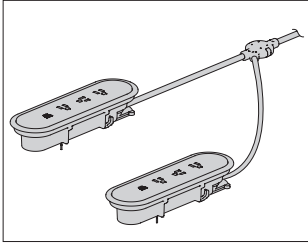
		04	06	10	20
ET992.	A A	\$1064	1064	1101	1145
	B	\$1151	1229	1286	1505
	B A	\$1109	1109	1145	1191
	B	\$1198	1271	1330	1552
	C A	\$1122	1122	1159	1203
	B	\$1210	1285	1342	1564

Step 5. Bezel Finish

- 91 white (CP) A +\$0
- BK black A +\$0
- PA polished aluminum A +\$0

Step 6. Faceplate Finish

- 91 white (CP) A +\$0
- BK black A +\$0



Product Information

Description

This pair of oval power modules works on rectangular and oval Eames® tables with segmented base. Each module comes with 4 simplex receptacles, 3 simplex receptacles and 1 dual USB A charging port, or 3 simplex receptacles and 1 USB A/C combo charging port. Unit is powered using a standard power cord with plug. This product is ETL listed to UL standards.

Notes

Eames oval or rectangular tables 10L-14L may utilize any of the following power solutions if proper cutouts are selected as part of the table specification:

- 2 individual oval power modules (ET992.)
- 2 individual oval power modules with undermount power (ET994.)
- 1 pair of oval power modules (ET993.)
- 1 pair of oval power modules with undermount power (ET995.)
- Up to 2 round power modules (ET991.)

Eames oval or rectangular tables 16L may utilize any of the following power solutions if proper cutouts are selected as part of the table specification:

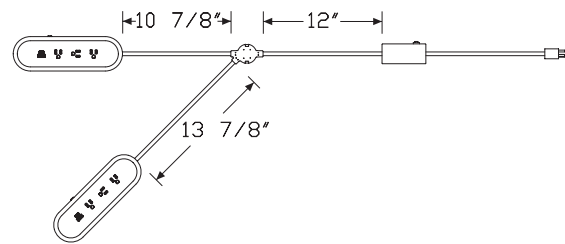
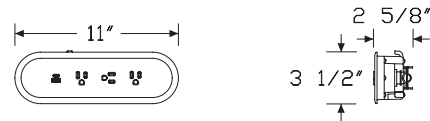
- 3 individual oval power modules (ET992.)
- 2 individual oval power modules with undermount power (ET994.) in conjunction with 1 additional oval power module (ET992.) in the center
- 1 pair of oval power modules (ET993.) with 1 additional oval power module (ET992.) at one end
- 1 pair of oval power modules with undermount power (ET995.) in conjunction with 1 additional oval power module (ET992.)
- Up to 2 round power modules (ET991.)

Eames oval or rectangular tables 18L and larger may utilize any of the following power solutions if proper cutouts are selected as part of the table specification:

- 2 pair of oval power modules (ET993.)
- 2 pair of oval power modules with undermount power (ET995.)
- 2 individual oval power modules with undermount power (ET994.) for each end of the table, in conjunction with 2 additional oval power modules (ET992.) in the center
- 4 individual oval power modules (ET992.)
- Up to 3 round power modules (ET991.)

Field cutting of grommet cutouts is possible; factory cutouts are recommended.

Dimensions



Specification Information

Step 1.

ET993. A

Step 2. Configuration (in each unit)

- A** 4 simplex receptacles per distributor A
- B** 3 simplex receptacles, 1 dual USB A per distributor A
- C** 3 simplex receptacles, 1 USB A/C Combo per distributor A

Step 3. Cord Length

- 04** 4' cord A
- 10** 10' cord A
- 16** 16' cord A

Prices for Steps 1-3.

	04	10	16
ET993. A	\$2730	2765	2812
B	\$2832	2869	2915
C	\$2845	2885	2927

Step 4. Bezel Finish

- 91** white (CP) A + \$0
- BK** black A + \$0
- PA** polished aluminum A + \$0

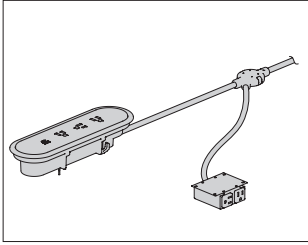
Step 5. Faceplate Finish

- 91** white (CP) A + \$0
- BK** black A + \$0

Oval Power Module & Undermount Power

ET994.

Eames® Tables



Product Information

Description

This oval power module with undermount unit works on rectangular and oval Eames® tables with segmented base. Oval power module comes with 4 simplex receptacles, 3 simplex receptacles and 1 dual USB A charging port, or 3 simplex receptacles and 1 USB A/C combo charging port. The undermount unit provides optional combinations of 2 simplex receptacles, or 1 simplex with 1 dual USB A port or 1 data port. Product is ETL listed to UL standards and powered using a standard power cord with plug.

Notes

Undermount power unit is always black.

Eames oval or rectangular tables 10L-14L may utilize any of the following power solutions if proper cutouts are selected as part of the table specification:

- 2 individual oval power modules (ET992.)
- 2 individual oval power modules with undermount power (ET994.)
- 1 pair of oval power modules (ET993.)
- 1 pair of oval power modules with undermount power (ET995.)
- Up to 2 round power modules (ET991.)

Eames oval or rectangular tables 16L may utilize any of the following power solutions if proper cutouts are selected as part of the table specification:

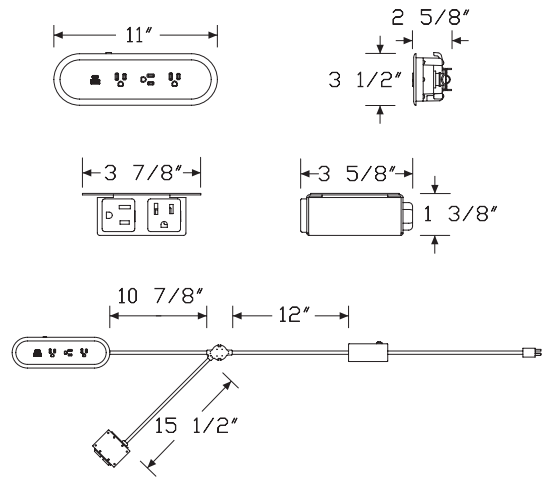
- 3 individual oval power modules (ET992.)
- 2 individual oval power modules with undermount power (ET994.) in conjunction with 1 additional oval power module (ET992.) in the center
- 1 pair of oval power modules (ET993.) with 1 additional oval power module (ET992.) at one end
- 1 pair of oval power modules with undermount power (ET995.) in conjunction with 1 additional oval power module (ET992.)
- Up to 2 round power modules (ET991.)

Eames oval or rectangular tables 18L and larger may utilize any of the following power solutions if proper cutouts are selected as part of the table specification:

- 2 pair of oval power modules (ET993.)
- 2 pair of oval power modules with undermount power (ET995.)
- 2 individual oval power modules with undermount power (ET994.) for each end of the table, in conjunction with 2 additional oval power modules (ET992.) in the center
- 4 individual oval power modules (ET992.)
- Up to 3 round power modules (ET991.)

Field cutting of grommet cutouts is possible; factory cutouts are recommended.

Dimensions



Oval Power Module & Undermount Power *continued*

Specification Information

Step 1.

ET994. A

Step 2. Oval Power Module Configuration

- A** 4 simplex receptacles A
- B** 3 simplex receptacles, 1 dual USB A A
- C** 3 simplex receptacles, 1 USB A/C Combo A

Step 3. Undermount Unit Configuration

- A** 2 simplex receptacles A
- B** 1 simplex receptacle, 1 dual USB A A
- C** 1 simplex receptacle, 1 open data port A

Step 4. Cord Length

- 04** 4' cord A
- 10** 10' cord A
- 17** 17' cord A

Prices for Steps 1-4.

		04	10	17
ET994. A	A	\$1950	1985	2028
	B	\$2272	2310	2353
	C	\$1950	1985	2028
B	A	\$1994	2028	2075
	B	\$2319	2353	2399
	C	\$2007	2044	2089
C	A	\$2007	2042	2088
	B	\$2331	2365	2412
	C	\$2022	2059	2104

Step 5. Bezel Finish

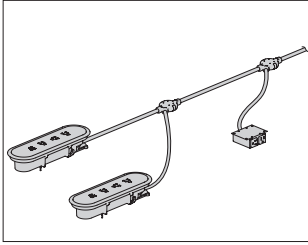
- 91** white (CP) A +\$0
- BK** black A +\$0
- PA** polished aluminum A +\$0

Step 6. Faceplate Finish

- 91** white (CP) A +\$0
- BK** black A +\$0

Pair of Oval Power Module & Undermount Power

ET995.



Eames® Tables

Product Information

Description

This set of power modules with undermount unit works on rectangular and oval Eames® tables with segmented base. Oval power modules come with 4 simplex receptacles, 3 simplex receptacles and 1 dual USB A charging port, or 3 simplex receptacles and 1 USB A/C combo charging port. The undermount unit provides optional combinations of 2 simplex receptacles, or 1 simplex with 1 dual USB A port or 1 data port. Product is ETL listed to UL standards and powered using a standard power cord with plug.

Notes

Undermount power unit is always black.

Eames oval or rectangular tables 10L-14L may utilize any of the following power solutions if proper cutouts are selected as part of the table specification:

- 2 individual oval power modules (ET992.)
- 2 individual oval power modules with undermount power (ET994.)
- 1 pair of oval power modules (ET993.)
- 1 pair of oval power modules with undermount power (ET995.)
- Up to 2 round power modules (ET991.)

Eames oval or rectangular tables 16L may utilize any of the following power solutions if proper cutouts are selected as part of the table specification:

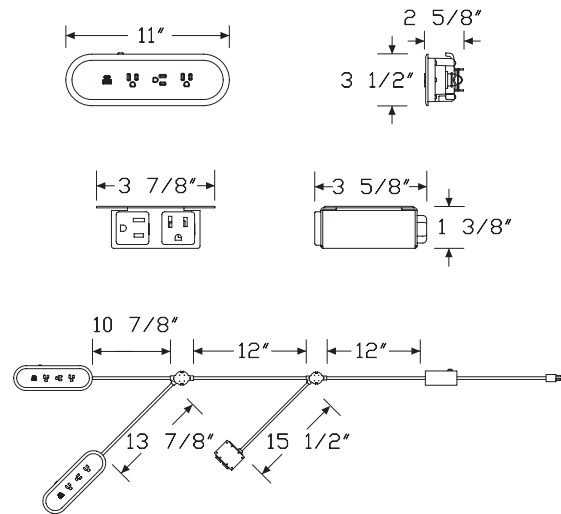
- 3 individual oval power modules (ET992.)
- 2 individual oval power modules with undermount power (ET994.) in conjunction with 1 additional oval power module (ET992.) in the center
- 1 pair of oval power modules (ET993.) with 1 additional oval power module (ET992.) at one end
- 1 pair of oval power modules with undermount power (ET995.) in conjunction with 1 additional oval power module (ET992.)
- Up to 2 round power modules (ET991.)

Eames oval or rectangular tables 18L and larger may utilize any of the following power solutions if proper cutouts are selected as part of the table specification:

- 2 pair of oval power modules (ET993.)
- 2 pair of oval power modules with undermount power (ET995.)
- 2 individual oval power modules with undermount power (ET994.) for each end of the table, in conjunction with 2 additional oval power modules (ET992.) in the center
- 4 individual oval power modules (ET992.)
- Up to 3 round power modules (ET991.)

Field cutting of grommet cutouts is possible; factory cutouts are recommended.

Dimensions



Pair of Oval Power Module & Undermount Power *continued*

Specification Information

Step 1.

ET995. A

Step 2. Oval Power Module Configuration

B 3 simplex receptacles, 1 dual USB A A

D 3 simplex receptacles, 1 USB A/C Combo A

Step 3. Undermount Unit Configuration

A 2 simplex receptacles A

B 1 simplex receptacle, 1 dual USB A A

C 1 simplex receptacle, 1 open data port A

Step 4. Cord Length

04 4' cord A

10 10' cord A

17 17' cord A

Prices for Steps 1-4.

		04	10	17
ET995. B	A	\$2730	2765	2812
	B	\$3067	3106	3149
	C	\$2730	2765	2812
D	A	\$2743	2779	2824
	B	\$3081	3121	3162
	C	\$2743	2779	2824

Step 5. Bezel Finish

91 white (CP) A +\$0

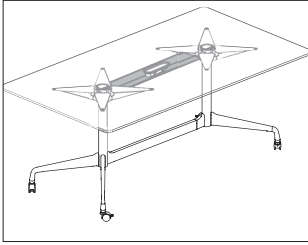
BK black A +\$0

PA polished aluminum A +\$0

Step 6. Faceplate Finish

91 white (CP) A +\$0

BK black A +\$0

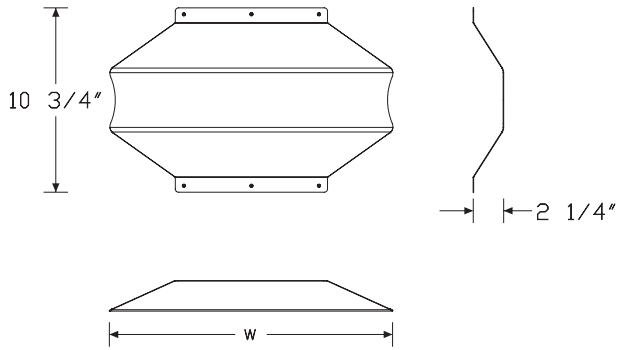


Product Information

Description

This wire shroud mounts to the underside of wood core tops only. It is specifically designed for use with Eames® round and oval power units.

Dimensions



Specification Information

Step 1.

ET998.

Step 2. Base

S segmented

T T-leg

Step 3. Size

For segmented (S)

- 48** 48" wide (for 48" x 96" tables)
- 36** 36" wide (for 42" x 84" and 48" x 84" tables)
- 24** 24" wide (for 42" x 78" and smaller)

For T-leg (T)

- 60** 60" wide (for 84" - 96" tables)
- 42** 42" wide (for 72" - 78" tables)
- 35** 35" wide (for 60" tables)

Prices for Steps 1-3.

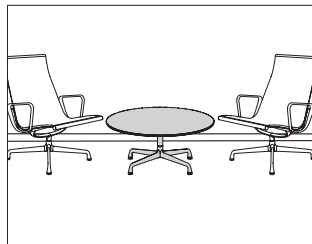
	48	60	36	42	24	35
ET998. S	\$333	—	305	—	211	—
T	—	\$400	—	266	—	238

Step 4. Finish

- 91** white (CP) +\$0
- BK** black +\$0

Eames® Outdoor Occasional Table,
Round

ET530
ET531



Product Information

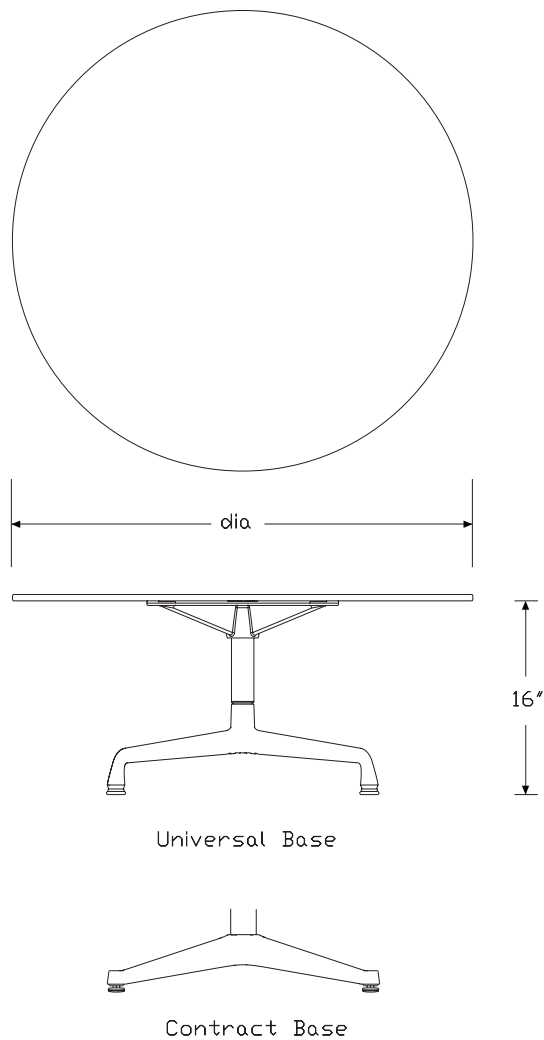
Description

This outdoor table has a stone top or a thin-profile HPL top and comes with adjustable glides. Ships knocked down with assembly required. Top and base components ship in separate packages.

Notes

Stone top is $\frac{3}{4}$ " thick and has a honed finish and full bullnose edge profile.
Thin profile HPL top is $\frac{1}{2}$ " thick and always has a black edge.
Natural characteristics in stone cause variations in hues, veins, crystals, and distinctive marks. These variations and subtle changes seen as the stone ages are values associated with natural materials. No two tabletops are identically the same; variations in both color and veining are to be expected. Over time the stone may fade in color, staining of the surface may appear, and surface cracks, if not already visible at time of purchase, may appear. Small cracks do not affect the structure of the tabletop.

Dimensions



Eames® Outdoor Occasional Table,
Round *continued*

Eames® Outdoor Tables

Specification Information

Step 1.

ET5 A

Step 2. Height

3 16" high A

Step 3. Diameter

07 30" diameter A

08 36" diameter A

09 42" diameter A

10 48" diameter A

Step 4. Base

For 30" diameter (07) or 36" diameter (08)

C contract base A

U universal base A

For 42" diameter (09) or 48" diameter (10)

C contract base A

Step 5. Surface Material

S stone top A

M thin profile HPL top with black edge A

Prices for Steps 1-5.

	S	M
ET5307 C	\$5962	1860
U	\$5962	1860
ET5308 C	\$7191	2392
U	\$7191	2392
ET5309 C	\$10466	3721
ET5310 C	\$10840	3808

Step 6. Top Finish

For 30" diameter (07) with stone top (S)

5U georgia grey marble A +\$436

CRR Carrara marble A +\$436

For 36" diameter (08) with stone top (S)

5U georgia grey marble A +\$526

CRR Carrara marble A +\$0

For 42" diameter (09) with stone top (S)

5U georgia grey marble A +\$610

CRR Carrara marble A -\$1000

For 48" diameter (10) with stone top (S)

5U georgia grey marble A +\$711

CRR Carrara marble A -\$1000

For thin profile HPL top with black edge (M)

91 white (CP) A +\$0

G1 graphite (CP) A +\$0

BK black A +\$0

Step 7. Column Finish

G1 graphite (CP) A +\$0

91 white (CP) A +\$20

BK black A +\$20

Step 8. Base Finish

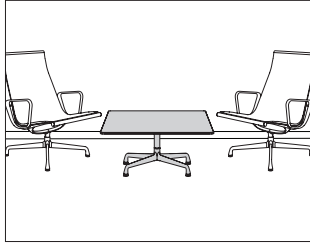
91 white (CP) A +\$20

BK black A +\$20

G2 graphite satin A +\$20

Eames® Outdoor Occasional Table,
Square

ET530
ET534



Product Information

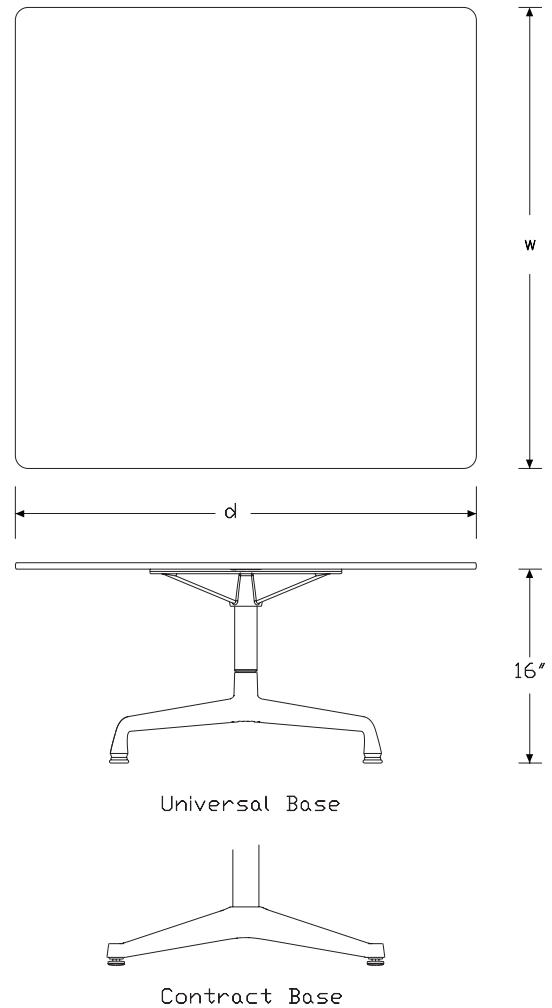
Description

This outdoor table has a stone top or a thin-profile HPL top and comes with adjustable glides. Ships knocked down with assembly required. Top and base components ship in separate packages.

Notes

Stone top is $\frac{3}{4}$ " thick and has a honed finish and full bullnose edge profile.
Thin profile HPL top is $\frac{1}{2}$ " thick and always has a black edge.
Natural characteristics in stone cause variations in hues, veins, crystals, and distinctive marks. These variations and subtle changes seen as the stone ages are values associated with natural materials. No two tabletops are identically the same; variations in both color and veining are to be expected. Over time the stone may fade in color, staining of the surface may appear, and surface cracks, if not already visible at time of purchase, may appear. Small cracks do not affect the structure of the tabletop.

Dimensions



Eames® Outdoor Tables

Eames® Outdoor Occasional Table,
Square *continued*

Specification Information

Step 1.

ET5 A

Step 2. Height

3 16" high A

Step 3. Depth/Width

04 30" deep x 30" wide A

05 36" deep x 36" wide A

06 42" deep x 42" wide A

48 48" deep x 48" wide A

Step 4. Base

For 30" deep x 30" wide (04) or 36" deep x 36" wide (05)

U universal base A

C contract base A

For 42" deep x 42" wide (06) or 48" deep x 48" wide (48)

C contract base A

Step 5. Surface Material

For 30" deep x 30" wide (04) or 42" deep x 42" wide (06)

S stone top A

M thin profile HPL top with black edge A

For 36" deep x 36" wide (05) or 48" deep x 48" wide (48)

M thin profile HPL top with black edge A

Prices for Steps 1-5.

		S	M
ET5304	U	\$5962	1860
	C	\$5962	1860
ET5305	U	—	\$2392
	C	—	\$2392
ET5306	C	\$10466	3721
ET5348	C	—	\$3808

Step 6. Top Finish

For 30" deep x 30" wide (04) with stone top (S)

5U georgia grey marble A +\$436

CRR Carrara marble A +\$436

For 42" deep x 42" wide (06) with stone top (S)

5U georgia grey marble A +\$610

CRR Carrara marble A -\$1000

For thin profile HPL top with black edge (M)

91 white (CP) A +\$0

G1 graphite (CP) A +\$0

BK black A +\$0

Step 7. Column Finish

G1 graphite (CP) A +\$0

91 white (CP) A +\$20

BK black A +\$20

Step 8. Base Finish

91 white (CP) A +\$20

BK black A +\$20

G2 graphite satin A +\$20

Eames® Outdoor Table, Low
Conference Height, Rectangular

ET524
ET525
ET528



Product Information

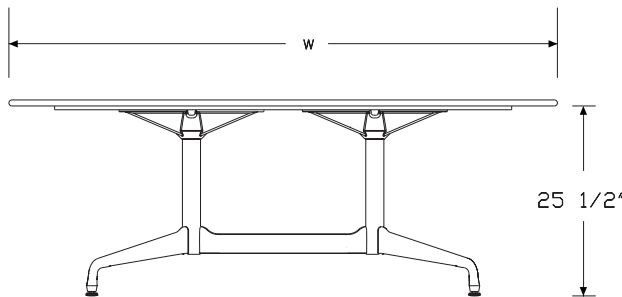
Description

This outdoor table has a stone top or a thin-profile HPL top and comes with adjustable glides. Ships knocked down with assembly required. Top and base components ship in separate packages.

Notes

Stone top is 3/4" thick and has a honed finish and full bullnose edge profile.
Thin profile HPL top is 1/2" thick and always has a black edge.
Natural characteristics in stone cause variations in hues, veins, crystals, and distinctive marks. These variations and subtle changes seen as the stone ages are values associated with natural materials. No two tabletops are identically the same; variations in both color and veining are to be expected. Over time the stone may fade in color, staining of the surface may appear, and surface cracks, if not already visible at time of purchase, may appear. Small cracks do not affect the structure of the tabletop.

Dimensions



Segmented Base

Specification Information

Step 1.

ET5 [A]

Step 2. Height

2 25 1/2" high [A]

Step 3. Depth/Width

87R 30" deep x 60" wide [A]

43R 36" deep x 72" wide [A]

50R 42" deep x 66" wide [A]

52R 42" deep x 78" wide [A]

Step 4. Base

S segmented base [A]

Step 5. Surface Material

S stone top [A]

M thin profile HPL top with black edge [A]

Prices for Steps 1-5.

	S	M
ET5287R S	\$14015	3654
ET5243R S	\$15674	4431
ET5250R S	\$15260	4445
ET5252R S	\$16075	7108

Step 6. Top Finish

For 30" deep x 60" wide (87R) with stone top (S)

5U georgia grey marble [A]	+\$1026
CRR Carrara marble [A]	-\$500

For 36" deep x 72" wide (43R) with stone top (S)

5U georgia grey marble [A]	+\$1148
CRR Carrara marble [A]	-\$500

For 42" deep x 66" wide (50R) with stone top (S)

5U georgia grey marble [A]	+\$0
CRR Carrara marble [A]	-\$500

For 42" deep x 78" wide (52R) with stone top (S)

5U georgia grey marble [A]	+\$0
CRR Carrara marble [A]	-\$800

Eames® Outdoor Table, Low
Conference Height, Rectangular

continued

Eames® Outdoor Tables

For thin profile HPL top with black edge (M)

91	white (CP)	<input type="checkbox"/>	<input type="checkbox"/>	+\$0
G1	graphite (CP)	<input type="checkbox"/>	<input type="checkbox"/>	+\$0
BK	black	<input type="checkbox"/>		+\$0

Step 7. Column Finish

G1	graphite (CP)	<input type="checkbox"/>		+\$0
91	white (CP)	<input type="checkbox"/>		+\$20
BK	black	<input type="checkbox"/>		+\$20

Step 8. Base Finish

91	white (CP)	<input type="checkbox"/>		+\$20
BK	black	<input type="checkbox"/>		+\$20
G2	graphite satin	<input type="checkbox"/>		+\$20

Eames® Outdoor Table, Low
Conference Height, Oval

ET524
ET525
ET528



Product Information

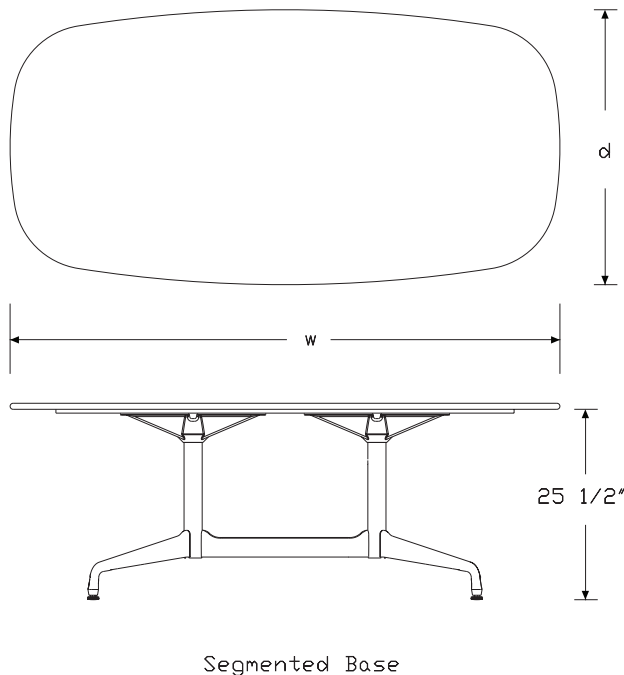
Description

This outdoor table has a stone top or a thin-profile HPL top and comes with adjustable glides. Ships knocked down with assembly required. Top and base components ship in separate packages.

Notes

Stone top is 3/4" thick and has a honed finish and full bullnose edge profile.
Thin profile HPL top is 1/2" thick and always has a black edge.
Natural characteristics in stone cause variations in hues, veins, crystals, and distinctive marks. These variations and subtle changes seen as the stone ages are values associated with natural materials. No two tabletops are identically the same; variations in both color and veining are to be expected. Over time the stone may fade in color, staining of the surface may appear, and surface cracks, if not already visible at time of purchase, may appear. Small cracks do not affect the structure of the tabletop.

Dimensions



Segmented Base

Specification Information

Step 1.

ET5 A

Step 2. Height

2 25 1/2" high A

Step 3. Depth/Width

87V 30" deep x 60" wide A

43V 36" deep x 72" wide A

50V 42" deep x 66" wide A

52V 42" deep x 78" wide A

Step 4. Base

S segmented base A

Step 5. Surface Material

S stone top A

M thin profile HPL top with black edge A

Prices for Steps 1-5.

	S	M
ET5287V S	\$14015	3654
ET5243V S	\$15674	4431
ET5250V S	\$15260	4445
ET5252V S	\$16075	7108

Step 6. Top Finish

For 30" deep x 60" wide (87V) with stone top (S)

5U georgia grey marble <input type="checkbox"/> A	+\$700
CRR Carrara marble <input type="checkbox"/> A	+\$450

For 36" deep x 72" wide (43V) with stone top (S)

5U georgia grey marble <input type="checkbox"/> A	+\$0
CRR Carrara marble <input type="checkbox"/> A	-\$300

For 42" deep x 66" wide (50V) with stone top (S)

5U georgia grey marble <input type="checkbox"/> A	+\$1117
CRR Carrara marble <input type="checkbox"/> A	+\$500

For 42" deep x 78" wide (52V) with stone top (S)

5U georgia grey marble <input type="checkbox"/> A	+\$1177
CRR Carrara marble <input type="checkbox"/> A	+\$500

Eames® Outdoor Table, Low
 Conference Height, Oval *continued*

Eames® Outdoor Tables

For thin profile HPL top with black edge (M)

91	white (CP) <input type="checkbox"/> A	+\$0
G1	graphite (CP) <input type="checkbox"/> A	+\$0
BK	black <input type="checkbox"/> A	+\$0

Step 7. Column Finish

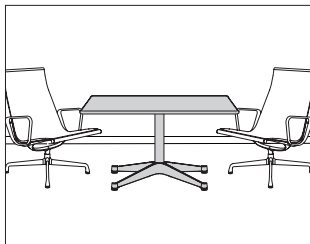
G1	graphite (CP) <input type="checkbox"/> A	+\$0
91	white (CP) <input type="checkbox"/> A	+\$20
BK	black <input type="checkbox"/> A	+\$20

Step 8. Base Finish

91	white (CP) <input type="checkbox"/> A	+\$20
BK	black <input type="checkbox"/> A	+\$20
G2	graphite satin <input type="checkbox"/> A	+\$20

Eames® Outdoor Table, Low
Conference Height, Square

ET520
ET524



Product Information

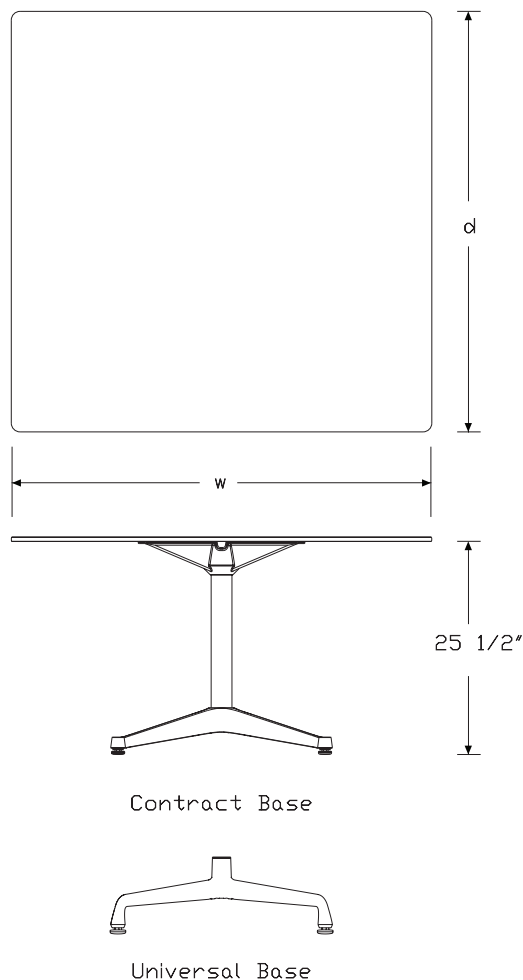
Description

This outdoor table has a stone top or a thin-profile HPL top and comes with adjustable glides. Ships knocked down with assembly required. Top and base components ship in separate packages.

Notes

Stone top is 3/4" thick and has a honed finish and full bullnose edge profile.
Thin profile HPL top is 1/2" thick and always has a black edge.
Natural characteristics in stone cause variations in hues, veins, crystals, and distinctive marks. These variations and subtle changes seen as the stone ages are values associated with natural materials. No two tabletops are identically the same; variations in both color and veining are to be expected. Over time the stone may fade in color, staining of the surface may appear, and surface cracks, if not already visible at time of purchase, may appear. Small cracks do not affect the structure of the tabletop.

Dimensions



Eames® Outdoor Table, Low
Conference Height, Square *continued*

Specification Information

Step 1.

ET5 A

Step 2. Height

2 25½" high A

Step 3. Depth/Width

04 30" deep x 30" wide A

05 36" deep x 36" wide A

06 42" deep x 42" wide A

48 48" deep x 48" wide A

Step 4. Base

For 30" deep x 30" wide (04) or 36" deep x 36" wide (05)

U universal base A

C contract base A

For 42" deep x 42" wide (06) or 48" deep x 48" wide (48)

C contract base A

Step 5. Surface Material

For 30" deep x 30" wide (04) or 42" deep x 42" wide (06)

S stone top A

M thin profile HPL top with black edge A

For 36" deep x 36" wide (05) or 48" deep x 48" wide (48)

M thin profile HPL top with black edge A

Prices for Steps 1-5.

		S	M
ET5204	U	\$5962	1860
	C	\$5962	1860
ET5205	U	—	\$2392
	C	—	\$2392
ET5206	C	\$10466	3721
ET5248	C	—	\$3808

Step 6. Top Finish

For 30" deep x 30" wide (04) with stone top (S)

5U georgia grey marble A +\$436

CRR Carrara marble A +\$436

For 42" deep x 42" wide (06) with stone top (S)

5U georgia grey marble A +\$610

CRR Carrara marble A -\$1000

For thin profile HPL top with black edge (M)

91 white (CP) A +\$0

G1 graphite (CP) A +\$0

BK black A +\$0

Step 7. Column Finish

G1 graphite (CP) A +\$0

91 white (CP) A +\$20

BK black A +\$20

Step 8. Base Finish

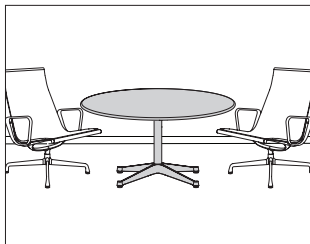
91 white (CP) A +\$20

BK black A +\$20

G2 graphite satin A +\$20

Eames® Outdoor Table, Low
Conference Height, Round

ET520
ET521



Product Information

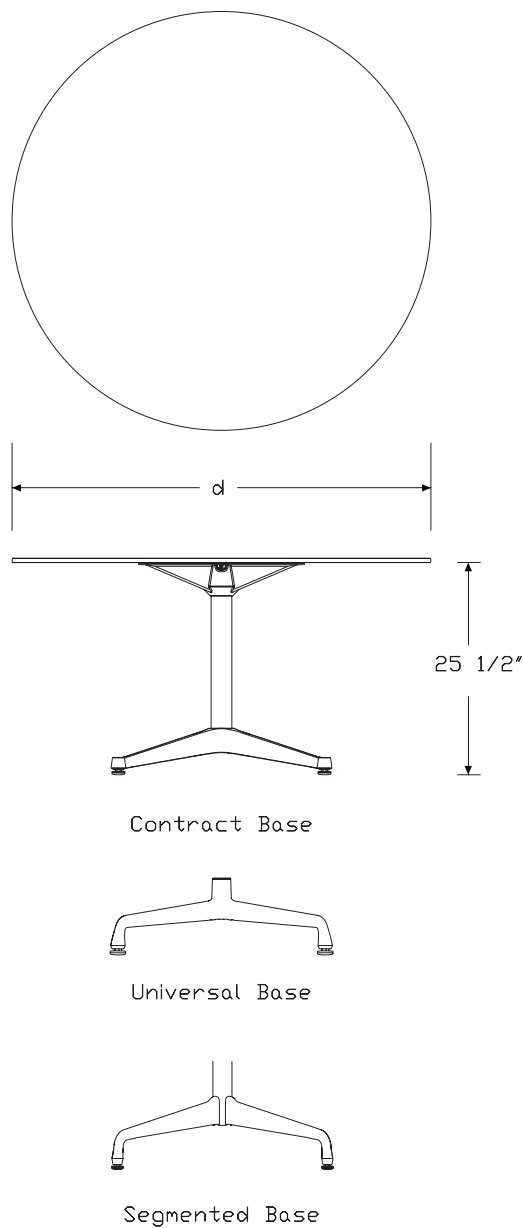
Description

This outdoor table has a stone top or a thin-profile HPL top and comes with adjustable glides. Ships knocked down with assembly required. Top and base components ship in separate packages.

Notes

Stone top is 3/4" thick and has a honed finish and full bullnose edge profile.
Thin profile HPL top is 1/2" thick and always has a black edge.
Natural characteristics in stone cause variations in hues, veins, crystals, and distinctive marks. These variations and subtle changes seen as the stone ages are values associated with natural materials. No two tabletops are identically the same; variations in both color and veining are to be expected. Over time the stone may fade in color, staining of the surface may appear, and surface cracks, if not already visible at time of purchase, may appear. Small cracks do not affect the structure of the tabletop.

Dimensions



Eames® Outdoor Table, Low
Conference Height, Round *continued*

Eames® Outdoor Tables

Specification Information

Step 1.

ET5 A

Step 2. Height

2 25½" high A

Step 3. Diameter

07 30" diameter A

08 36" diameter A

09 42" diameter A

10 48" diameter A

Step 4. Base

For 30" diameter (07) or 36" diameter (08)

C contract base A

U universal base A

For 42" diameter (09) or 48" diameter (10)

C contract base A

S segmented base A

Step 5. Surface Material

For 30" diameter (07) or 36" diameter (08)

S stone top A

M thin profile HPL top with black edge A

For 42" diameter (09) or 48" diameter (10) with contract base (C)

S stone top A

M thin profile HPL top with black edge A

For 42" diameter (09) or 48" diameter (10) with segmented base (S)

M thin profile HPL top with black edge A

Prices for Steps 1-5.

	S	M
ET5207 C	\$5962	1860
U	\$5962	1860
ET5208 C	\$7191	2392
U	\$7191	2392
ET5209 C	\$10466	3721
S	—	\$3721

ET5210 C	\$10840	3808
S	—	\$3808

Step 6. Top Finish

For 30" diameter (07) with stone top (S)

5U georgia grey marble A +\$436

CRR Carrara marble A +\$436

For 36" diameter (08) with stone top (S)

5U georgia grey marble A +\$526

CRR Carrara marble A +\$0

For 42" diameter (09) with stone top (S)

5U georgia grey marble A +\$610

CRR Carrara marble A -\$1000

For 48" diameter (10) with stone top (S)

5U georgia grey marble A +\$711

CRR Carrara marble A -\$1000

For thin profile HPL top with black edge (M)

91 white (CP) A +\$0

G1 graphite (CP) A +\$0

BK black A +\$0

Step 7. Column Finish

G1 graphite (CP) A +\$0

91 white (CP) A +\$20

BK black A +\$20

Step 8. Base Finish

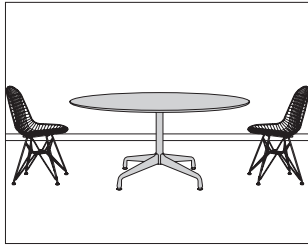
91 white (CP) A +\$20

BK black A +\$20

G2 graphite satin A +\$20

Eames® Outdoor Table, Round

ET510
ET511



Product Information

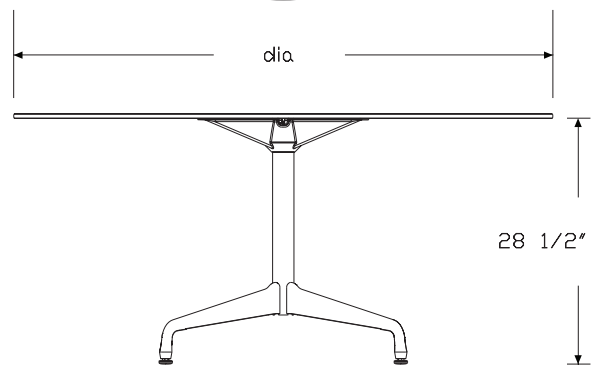
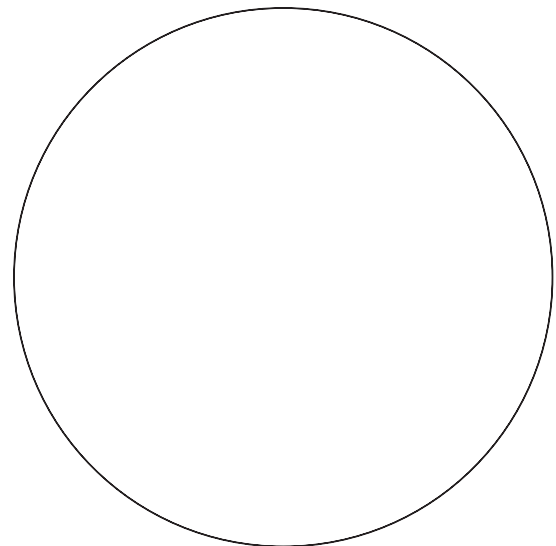
Description

This outdoor table has a stone top or a thin-profile HPL top and comes with adjustable glides. Ships knocked down with assembly required. Top and base components ship in separate packages.

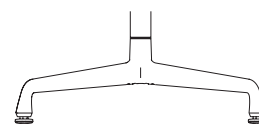
Notes

Stone top is $\frac{3}{4}$ " thick and has a honed finish and full bullnose edge profile.
Thin profile HPL top is $\frac{1}{2}$ " thick and always has a black edge.
Natural characteristics in stone cause variations in hues, veins, crystals, and distinctive marks. These variations and subtle changes seen as the stone ages are values associated with natural materials. No two tabletops are identically the same; variations in both color and veining are to be expected. Over time the stone may fade in color, staining of the surface may appear, and surface cracks, if not already visible at time of purchase, may appear. Small cracks do not affect the structure of the tabletop.

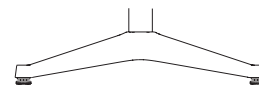
Dimensions



Segmented Base



Universal Base



Contract Base

Eames® Outdoor Table, Round

continued

Eames® Outdoor Tables

Specification Information

Step 1.

ET5 A

Step 2. Height

1 28½" high A

Step 3. Diameter

07 30" diameter A

08 36" diameter A

09 42" diameter A

10 48" diameter A

Step 4. Base

For 30" diameter (07) or 36" diameter (08)

C contract base A

U universal base A

For 42" diameter (09) or 48" diameter (10)

C contract base A

S segmented base A

Step 5. Surface Material

For 30" diameter (07) or 36" diameter (08)

S stone top A

M thin profile HPL top with black edge A

For 42" diameter (09) or 48" diameter (10) with contract base (C)

S stone top A

M thin profile HPL top with black edge A

For 42" diameter (09) or 48" diameter (10) with segmented base (S)

M thin profile HPL top with black edge A

Prices for Steps 1-5.

	S	M
ET5107 C	\$5962	1860
U	\$5962	1860
ET5108 C	\$7191	2392
U	\$7191	2392
ET5109 C	\$10466	3721
S	—	\$3721

ET5110 C	\$10840	3808
S	—	\$3808

Step 6. Top Finish

For 30" diameter (07) with stone top (S)

5U georgia grey marble A +\$436

CRR Carrara marble A +\$436

For 36" diameter (08) with stone top (S)

5U georgia grey marble A +\$526

CRR Carrara marble A +\$0

For 42" diameter (09) with stone top (S)

5U georgia grey marble A +\$610

CRR Carrara marble A -\$1000

For 48" diameter (10) with stone top (S)

5U georgia grey marble A +\$711

CRR Carrara marble A -\$1000

For thin profile HPL top with black edge (M)

91 white (CP) A +\$0

G1 graphite (CP) A +\$0

BK black A +\$0

Step 7. Column Finish

G1 graphite (CP) A +\$0

91 white (CP) A +\$20

BK black A +\$20

Step 8. Base Finish

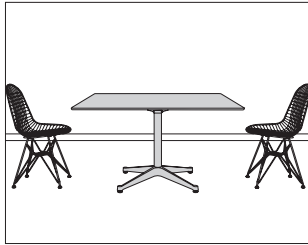
91 white (CP) A +\$20

BK black A +\$20

G2 graphite satin A +\$20

Eames® Outdoor Table, Square

ET510
ET514



Product Information

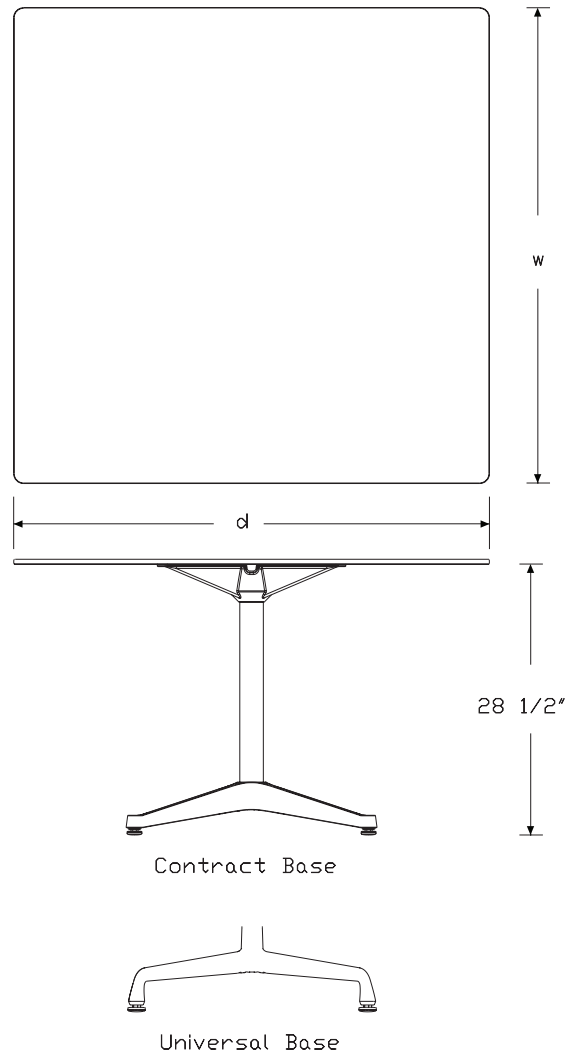
Description

This outdoor table has a stone top or a thin-profile HPL top and comes with adjustable glides. Ships knocked down with assembly required. Top and base components ship in separate packages.

Notes

Stone top is $\frac{3}{4}$ " thick and has a honed finish and full bullnose edge profile.
Thin profile HPL top is $\frac{1}{2}$ " thick and always has a black edge.
Natural characteristics in stone cause variations in hues, veins, crystals, and distinctive marks. These variations and subtle changes seen as the stone ages are values associated with natural materials. No two tabletops are identically the same; variations in both color and veining are to be expected. Over time the stone may fade in color, staining of the surface may appear, and surface cracks, if not already visible at time of purchase, may appear. Small cracks do not affect the structure of the tabletop.

Dimensions



Eames® Outdoor Tables

Eames® Outdoor Table, Square

continued

Eames® Outdoor Tables

Specification Information

Step 1.

ET5 A

Step 2. Height

1 28½" high A

Step 3. Depth/Width

04 30" deep x 30" wide A

05 36" deep x 36" wide A

06 42" deep x 42" wide A

48 48" deep x 48" wide A

Step 4. Base

For 30" deep x 30" wide (04) or 36" deep x 36" wide (05)

U universal base A

C contract base A

For 42" deep x 42" wide (06) or 48" deep x 48" wide (48)

C contract base A

Step 5. Surface Material

For 30" deep x 30" wide (04) or 42" deep x 42" wide (06)

S stone top A

M thin profile HPL top with black edge A

For 36" deep x 36" wide (05) or 48" deep x 48" wide (48)

M thin profile HPL top with black edge A

Prices for Steps 1-5.

		S	M
ET5104	U	\$5962	1860
	C	\$5962	1860
ET5105	U	—	\$2392
	C	—	\$2392
ET5106	C	\$10466	3721
ET5148	C	—	\$3808

Step 6. Top Finish

For 30" deep x 30" wide (04) with stone top (S)

5U georgia grey marble A +\$436

CRR Carrara marble A +\$436

For 42" deep x 42" wide (06) with stone top (S)

5U georgia grey marble A +\$610

CRR Carrara marble A -\$1000

For thin profile HPL top with black edge (M)

91 white (CP) A +\$0

G1 graphite (CP) A +\$0

BK black A +\$0

Step 7. Column Finish

G1 graphite (CP) A +\$0

91 white (CP) A +\$20

BK black A +\$20

Step 8. Base Finish

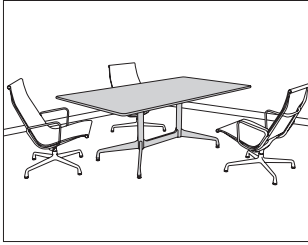
91 white (CP) A +\$20

BK black A +\$20

G2 graphite satin A +\$20

Eames® Outdoor Table, Rectangular

ET514
ET515
ET518



Product Information

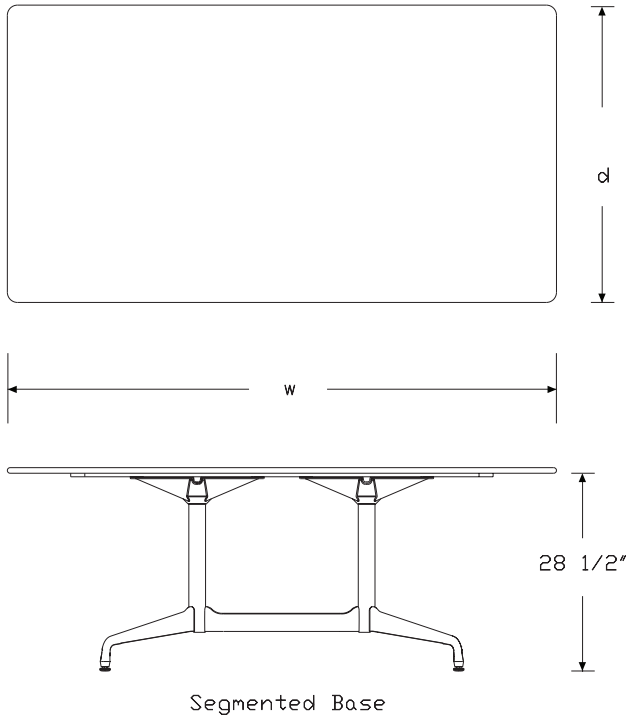
Description

This outdoor table has a stone top or a thin-profile HPL top and comes with adjustable glides. Ships knocked down with assembly required. Top and base components ship in separate packages.

Notes

Stone top is 3/4" thick and has a honed finish and full bullnose edge profile.
Thin profile HPL top is 1/2" thick and always has a black edge.
Natural characteristics in stone cause variations in hues, veins, crystals, and distinctive marks. These variations and subtle changes seen as the stone ages are values associated with natural materials. No two tabletops are identically the same; variations in both color and veining are to be expected. Over time the stone may fade in color, staining of the surface may appear, and surface cracks, if not already visible at time of purchase, may appear. Small cracks do not affect the structure of the tabletop.

Dimensions



Specification Information

Step 1.

ET5 [A]

Step 2. Height

1 28 1/2" high [A]

Step 3. Depth/Width

87R 30" deep x 60" wide [A]

43R 36" deep x 72" wide [A]

50R 42" deep x 66" wide [A]

52R 42" deep x 78" wide [A]

Step 4. Base

S segmented base [A]

Step 5. Surface Material

S stone top [A]

M thin profile HPL top with black edge [A]

Prices for Steps 1-5.

	S	M
ET5187R S	\$14015	3654
ET5143R S	\$15674	4431
ET5150R S	\$15260	4445
ET5152R S	\$16075	7108

Step 6. Top Finish

For 30" deep x 60" wide (87R) with stone top (S)

5U georgia grey marble [A]	+\$1026
CRR Carrara marble [A]	-\$500

For 36" deep x 72" wide (43R) with stone top (S)

5U georgia grey marble [A]	+\$1148
CRR Carrara marble [A]	-\$500

For 42" deep x 66" wide (50R) with stone top (S)

5U georgia grey marble [A]	+\$0
CRR Carrara marble [A]	-\$500

For 42" deep x 78" wide (52R) with stone top (S)

5U georgia grey marble [A]	+\$0
CRR Carrara marble [A]	-\$800

Eames® Outdoor Table, Rectangular

continued

Eames® Outdoor Tables

For thin profile HPL top with black edge (M)

91	white (CP) <input type="checkbox"/>	+\$0
G1	graphite (CP) <input type="checkbox"/>	+\$0
BK	black <input type="checkbox"/>	+\$0

Step 7. Column Finish

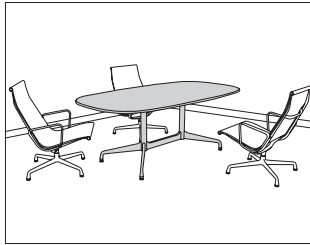
G1	graphite (CP) <input type="checkbox"/>	+\$0
91	white (CP) <input type="checkbox"/>	+\$20
BK	black <input type="checkbox"/>	+\$20

Step 8. Base Finish

91	white (CP) <input type="checkbox"/>	+\$20
BK	black <input type="checkbox"/>	+\$20
G2	graphite satin <input type="checkbox"/>	+\$20

Eames® Outdoor Table, Oval

ET514
ET515
ET518



Product Information

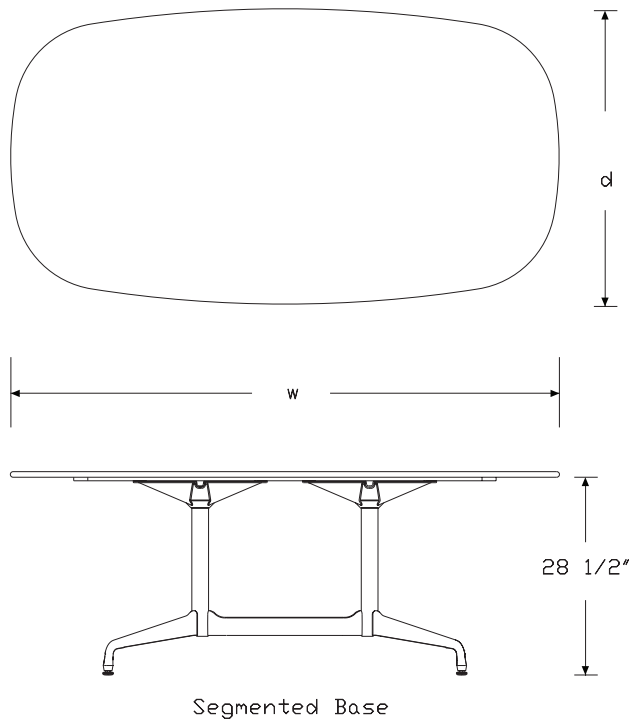
Description

This outdoor table has a stone top or a thin-profile HPL top and comes with adjustable glides. Ships knocked down with assembly required. Top and base components ship in separate packages.

Notes

Stone top is 3/4" thick and has a honed finish and full bullnose edge profile.
Thin profile HPL top is 1/2" thick and always has a black edge.
Natural characteristics in stone cause variations in hues, veins, crystals, and distinctive marks. These variations and subtle changes seen as the stone ages are values associated with natural materials. No two tabletops are identically the same; variations in both color and veining are to be expected. Over time the stone may fade in color, staining of the surface may appear, and surface cracks, if not already visible at time of purchase, may appear. Small cracks do not affect the structure of the tabletop.

Dimensions



Segmented Base

Specification Information

Step 1.

ET5 [A]

Step 2. Height

1 28 1/2" high [A]

Step 3. Depth/Width

87V 30" deep x 60" wide [A]

43V 36" deep x 72" wide [A]

50V 42" deep x 66" wide [A]

52V 42" deep x 78" wide [A]

Step 4. Base

S segmented base [A]

Step 5. Surface Material

S stone top [A]

M thin profile HPL top with black edge [A]

Prices for Steps 1-5.

	S	M
ET5187V S	\$14015	3654
ET5143V S	\$15674	4431
ET5150V S	\$15260	4445
ET5152V S	\$16075	7108

Step 6. Top Finish

For 30" deep x 60" wide (87V) with stone top (S)

5U georgia grey marble [A]	+\$700
CRR Carrara marble [A]	+\$450

For 36" deep x 72" wide (43V) with stone top (S)

5U georgia grey marble [A]	+\$0
CRR Carrara marble [A]	-\$300

For 42" deep x 66" wide (50V) with stone top (S)

5U georgia grey marble [A]	+\$1117
CRR Carrara marble [A]	+\$500

For 42" deep x 78" wide (52V) with stone top (S)

5U georgia grey marble [A]	+\$1177
CRR Carrara marble [A]	+\$500

Eames® Outdoor Table, Oval *continued*

Eames® Outdoor Tables

For thin profile HPL top with black edge (M)

91	white (CP) <input type="checkbox"/> A	+\$0
G1	graphite (CP) <input type="checkbox"/> A	+\$0
BK	black <input type="checkbox"/> A	+\$0

Step 7. Column Finish

G1	graphite (CP) <input type="checkbox"/> A	+\$0
91	white (CP) <input type="checkbox"/> A	+\$20
BK	black <input type="checkbox"/> A	+\$20

Step 8. Base Finish

91	white (CP) <input type="checkbox"/> A	+\$20
BK	black <input type="checkbox"/> A	+\$20
G2	graphite satin <input type="checkbox"/> A	+\$20

Eames® Outdoor Table, Standing
Height, Round

ET540
ET541
ET550
ET551



Product Information

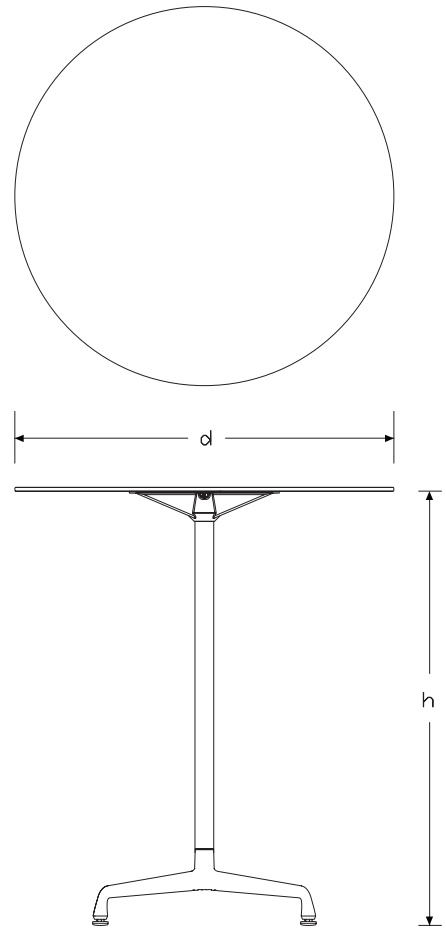
Description

This outdoor table has a stone top or a thin-profile HPL top and comes with adjustable glides. Ships knocked down with assembly required. Top and base components ship in separate packages.

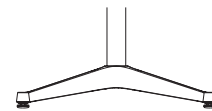
Notes

Stone top is 3/4" thick and has a honed finish and full bullnose edge profile.
Thin profile HPL top is 1/2" thick and always has a black edge.
Natural characteristics in stone cause variations in hues, veins, crystals, and distinctive marks. These variations and subtle changes seen as the stone ages are values associated with natural materials. No two tabletops are identically the same; variations in both color and veining are to be expected. Over time the stone may fade in color, staining of the surface may appear, and surface cracks, if not already visible at time of purchase, may appear. Small cracks do not affect the structure of the tabletop.

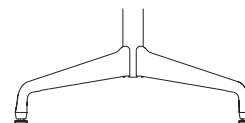
Dimensions



Universal Base



Contract Base



Segmented Base

Eames® Outdoor Table, Standing
Height, Round *continued*

Eames® Outdoor Tables

Specification Information

Step 1.

ET5 A

Step 2. Height

4 36" high A

5 42" high A

Step 3. Diameter

07 30" diameter A

08 36" diameter A

09 42" diameter A

10 48" diameter A

Step 4. Base

For 30" diameter (07) or 36" diameter (08)

C contract base A

U universal base A

For 42" diameter (09) or 48" diameter (10)

C contract base A

S segmented base A

Step 5. Surface Material

For 30" diameter (07) or 36" diameter (08) with contract base (C) or universal base (U)

S stone top A

M thin profile HPL top with black edge A

For 42" diameter (09) or 48" diameter (10) with contract base (C)

S stone top A

M thin profile HPL top with black edge A

For 42" diameter (09) or 48" diameter (10) with segmented base (S)

M thin profile HPL top with black edge A

Prices for Steps 1-5.

		S	M
ET5407	C	\$6104	2004
	U	\$6104	2004
ET5408	C	\$7335	2537
	U	\$7335	2537

ET5409	C	\$10610	3864
	S	—	\$3864

ET5410	C	\$10985	3952
	S	—	\$3952

ET5507	C	\$5986	1965
	U	\$5986	1965

ET5508	C	\$7193	2488
	U	\$7193	2488

ET5509	C	\$10403	3789
	S	—	\$3789

ET5510	C	\$10772	3875
	S	—	\$3875

Step 6. Top Finish

For 30" diameter (07) with stone top (S)

5U georgia grey marble A +\$436

CRR Carrara marble A +\$436

For 36" diameter (08) with stone top (S)

5U georgia grey marble A +\$526

CRR Carrara marble A +\$0

For 42" diameter (09) with stone top (S)

5U georgia grey marble A +\$610

CRR Carrara marble A -\$1000

For 48" diameter (10) with stone top (S)

5U georgia grey marble A +\$711

CRR Carrara marble A -\$1000

For thin profile HPL top with black edge (M)

91 white (CP) A +\$0

G1 graphite (CP) A +\$0

BK black A +\$0

Step 7. Column Finish

G1 graphite (CP) A +\$0

91 white (CP) A +\$20

BK black A +\$20

Eames® Outdoor Table, Standing
Height, Round *continued*

Step 8. Base Finish		
91	white (CP) <input type="checkbox"/>	+\$20
BK	black <input type="checkbox"/>	+\$20
G2	graphite satin <input type="checkbox"/>	+\$20

Eames® Outdoor Table, Standing
Height, Square

ET540
ET544
ET550
ET554



Eames® Outdoor Tables

Product Information

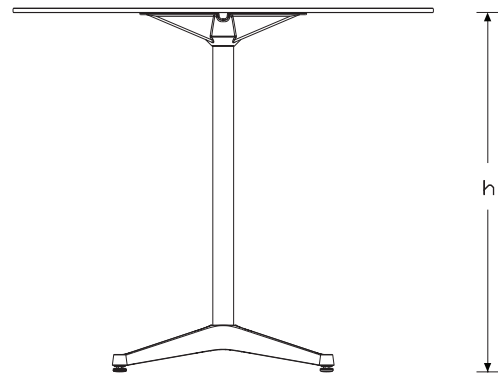
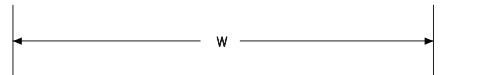
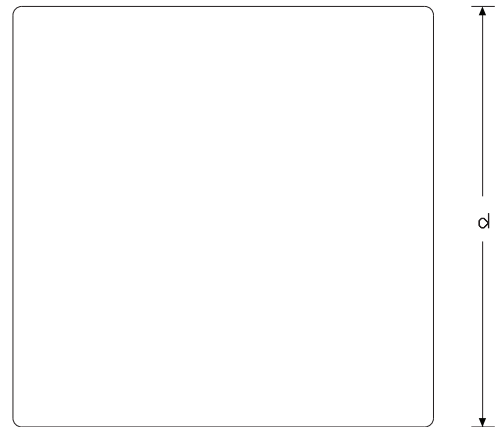
Description

This outdoor table has a stone top or a thin-profile HPL top and comes with adjustable glides. Ships knocked down with assembly required. Top and base components ship in separate packages.

Notes

Stone top is 3/4" thick and has a honed finish and full bullnose edge profile.
Thin profile HPL top is 1/2" thick and always has a black edge.
Natural characteristics in stone cause variations in hues, veins, crystals, and distinctive marks. These variations and subtle changes seen as the stone ages are values associated with natural materials. No two tabletops are identically the same; variations in both color and veining are to be expected. Over time the stone may fade in color, staining of the surface may appear, and surface cracks, if not already visible at time of purchase, may appear. Small cracks do not affect the structure of the tabletop.

Dimensions



Contract Base



Universal Base

Eames® Outdoor Table, Standing
Height, Square *continued*

Specification Information

Step 1.

ET5 [A]

Step 2. Height

4 36" high [A]

5 42" high [A]

Step 3. Depth/Width

04 30" deep x 30" wide [A]

05 36" deep x 36" wide [A]

06 42" deep x 42" wide [A]

48 48" deep x 48" wide [A]

Step 4. Base

For 30" deep x 30" wide (04) or 36" deep x 36" wide (05)

U universal base [A]

C contract base [A]

For 42" deep x 42" wide (06) or 48" deep x 48" wide (48)

C contract base [A]

Step 5. Surface Material

For 30" deep x 30" wide (04) or 42" deep x 42" wide (06)

S stone top [A]

M thin profile HPL top with black edge [A]

For 36" deep x 36" wide (05) or 48" deep x 48" wide (48)

M thin profile HPL top with black edge [A]

Prices for Steps 1-5.

	S	M
ET5404 U	\$6104	2004
C	\$6104	2004
ET5405 U	—	\$2537
C	—	\$2537
ET5406 C	\$10610	3864
ET5448 C	—	\$3875
ET5504 U	\$5986	1965
C	\$5986	1965

ET5505 U	—	\$2488
C	—	\$2488

ET5506 C	\$10403	3789
----------	---------	------

ET5548 C	—	\$3875
----------	---	--------

Step 6. Top Finish

For 30" deep x 30" wide (04) with stone top (S)

5U georgia grey marble [A] +\$436

CRR Carrara marble [A] +\$436

For 42" deep x 42" wide (06) with stone top (S)

5U georgia grey marble [A] +\$610

CRR Carrara marble [A] -\$1000

For thin profile HPL top with black edge (M)

91 white (CP) [A] +\$0

G1 graphite (CP) [A] +\$0

BK black [A] +\$0

Step 7. Column Finish

G1 graphite (CP) [A] +\$0

91 white (CP) [A] +\$20

BK black [A] +\$20

Step 8. Base Finish

91 white (CP) [A] +\$20

BK black [A] +\$20

G2 graphite satin [A] +\$20

Eames® Outdoor Table, Standing Height, Rectangular

ET544
ET545
ET548
ET554
ET555
ET558



Eames® Outdoor Tables

Product Information

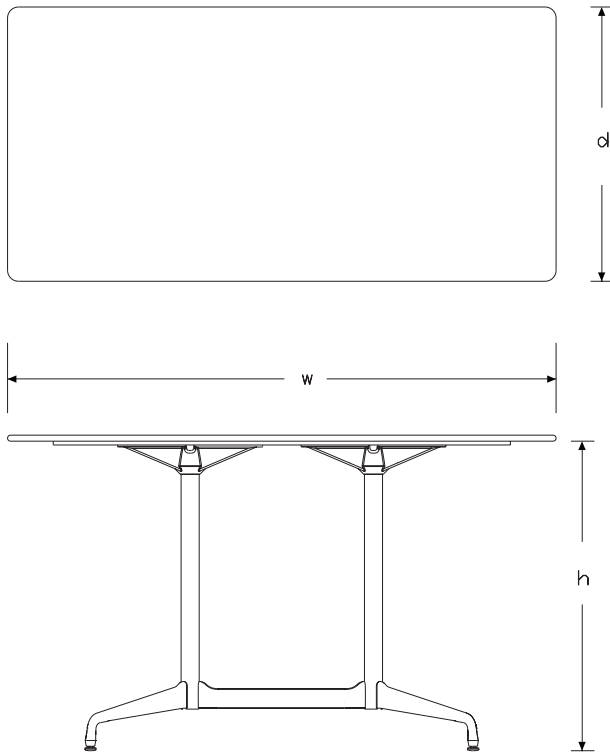
Description

This outdoor table has a stone top or a thin-profile HPL top and comes with adjustable glides. Ships knocked down with assembly required. Top and base components ship in separate packages.

Notes

Stone top is 3/4" thick and has a honed finish and full bullnose edge profile.
Thin profile HPL top is 1/2" thick and always has a black edge.
Natural characteristics in stone cause variations in hues, veins, crystals, and distinctive marks. These variations and subtle changes seen as the stone ages are values associated with natural materials. No two tabletops are identically the same; variations in both color and veining are to be expected. Over time the stone may fade in color, staining of the surface may appear, and surface cracks, if not already visible at time of purchase, may appear. Small cracks do not affect the structure of the tabletop.

Dimensions



Segmented Base

Specification Information

Step 1.

ET5 A

Step 2. Height

4 36" high A
5 42" high A

Step 3. Depth/Width

87R 30" deep x 60" wide A
43R 36" deep x 72" wide A
50R 42" deep x 66" wide A
52R 42" deep x 78" wide A

Step 4. Base

S segmented base A

Step 5. Surface Material

S stone top A
M thin profile HPL top with black edge A

Prices for Steps 1-5.

	S	M
ET5487R S	\$14024	3866
ET5443R S	\$15651	4630
ET5450R S	\$15246	4641
ET5452R S	\$16046	7255
ET5587R S	\$14024	3866
ET5543R S	\$15651	4630
ET5550R S	\$15246	4641
ET5552R S	\$16046	7255

Step 6. Top Finish

For 30" deep x 60" wide (87R) with stone top (S)

5U georgia grey marble A +\$1026
CRR Carrara marble A -\$500

Eames® Outdoor Table, Standing
Height, Rectangular *continued*

For 36" deep x 72" wide (43R) with stone top (S)

5U	georgia grey marble <input type="checkbox"/>	+\$1148
CRR	Carrara marble <input type="checkbox"/>	-\$500

For 42" deep x 66" wide (50R) with stone top (S)

5U	georgia grey marble <input type="checkbox"/>	+\$0
CRR	Carrara marble <input type="checkbox"/>	-\$500

For 42" deep x 78" wide (52R) with stone top (S)

5U	georgia grey marble <input type="checkbox"/>	+\$0
CRR	Carrara marble <input type="checkbox"/>	-\$800

For thin profile HPL top with black edge (M)

91	white (CP) <input type="checkbox"/>	+\$0
G1	graphite (CP) <input type="checkbox"/>	+\$0
BK	black <input type="checkbox"/>	+\$0

Step 7. Column Finish

G1	graphite (CP) <input type="checkbox"/>	+\$0
91	white (CP) <input type="checkbox"/>	+\$20
BK	black <input type="checkbox"/>	+\$20

Step 8. Base Finish

91	white (CP) <input type="checkbox"/>	+\$20
BK	black <input type="checkbox"/>	+\$20
G2	graphite satin <input type="checkbox"/>	+\$20

Eames® Outdoor Table, Standing
Height, Oval

- ET544
- ET545
- ET548
- ET554
- ET555
- ET558



Product Information

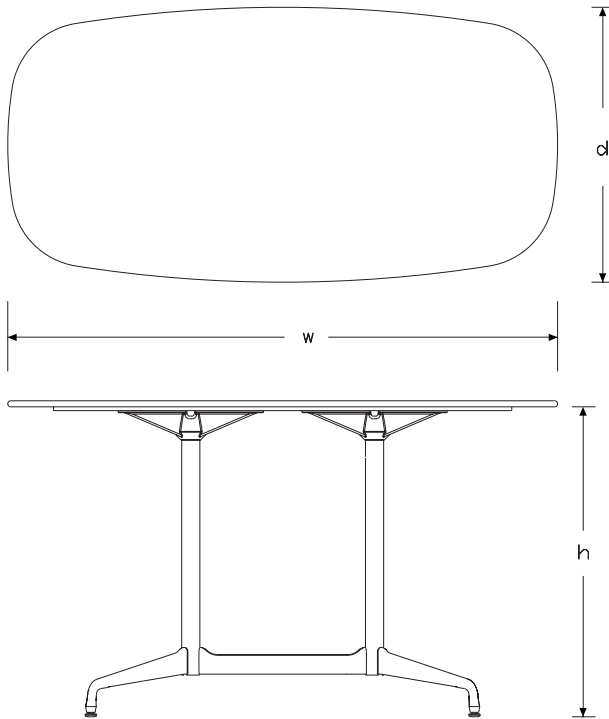
Description

This outdoor table has a stone top or a thin-profile HPL top and comes with adjustable glides. Ships knocked down with assembly required. Top and base components ship in separate packages.

Notes

Stone top is 3/4" thick and has a honed finish and full bullnose edge profile.
Thin profile HPL top is 1/2" thick and always has a black edge.
Natural characteristics in stone cause variations in hues, veins, crystals, and distinctive marks. These variations and subtle changes seen as the stone ages are values associated with natural materials. No two tabletops are identically the same; variations in both color and veining are to be expected. Over time the stone may fade in color, staining of the surface may appear, and surface cracks, if not already visible at time of purchase, may appear. Small cracks do not affect the structure of the tabletop.

Dimensions



Segmented Base

Specification Information

Step 1.

ET5 A

Step 2. Height

- 4 36" high A
- 5 42" high A

Step 3. Depth/Width

- 87V 30" deep x 60" wide A
- 43V 36" deep x 72" wide A
- 50V 42" deep x 66" wide A
- 52V 42" deep x 78" wide A

Step 4. Base

S segmented base A

Step 5. Surface Material

- S stone top A
- M thin profile HPL top with black edge A

Prices for Steps 1-5.

	S	M
ET5487V S	\$14024	3866
ET5443V S	\$15961	4722
ET5450V S	\$15246	4641
ET5452V S	\$16046	7255
ET5587V S	\$14024	3866
ET5543V S	\$15651	4630
ET5550V S	\$15246	4641
ET5552V S	\$16046	7255

Step 6. Top Finish

For 30" deep x 60" wide (87V) with stone top (S)

- 5U georgia grey marble A +\$700
- CRR Carrara marble A +\$450

Eames® Outdoor Table, Standing
Height, Oval *continued*

For 36" deep x 72" wide (43V) with stone top (S)

5U	georgia grey marble <input type="checkbox"/>	+\$0
CRR	Carrara marble <input type="checkbox"/>	-\$300

For 42" deep x 66" wide (50V) with stone top (S)

5U	georgia grey marble <input type="checkbox"/>	+\$1117
CRR	Carrara marble <input type="checkbox"/>	+\$500

For 42" deep x 78" wide (52V) with stone top (S)

5U	georgia grey marble <input type="checkbox"/>	+\$1177
CRR	Carrara marble <input type="checkbox"/>	+\$500

For thin profile HPL top with black edge (M)

91	white (CP) <input type="checkbox"/>	+\$0
G1	graphite (CP) <input type="checkbox"/>	+\$0
BK	black <input type="checkbox"/>	+\$0

Step 7. Column Finish

G1	graphite (CP) <input type="checkbox"/>	+\$0
91	white (CP) <input type="checkbox"/>	+\$20
BK	black <input type="checkbox"/>	+\$20

Step 8. Base Finish

91	white (CP) <input type="checkbox"/>	+\$20
BK	black <input type="checkbox"/>	+\$20
G2	graphite satin <input type="checkbox"/>	+\$20

Index by Product Name

Eames® Tables	
	page(s)
Eames® Conference Table, Oval	102
Eames® Conference Table, Oval, Stone	125
Eames® Conference Table, Rectangular	72
Eames® Conference Table, Rectangular, Stone	123
Eames® Conference Table, Round	59
Eames® Conference Table, Round, Stone	118
Eames® Conference Table, Square	67
Eames® Conference Table, Square, Stone	121
Eames® Contract Base, T-Leg Table, Rectangular	88
Eames® Indoor/Outdoor Table, Round Herman Miller x HAY	66
Eames® Low Conference Table, Oval	41
Eames® Low Conference Table, Oval, Stone	57
Eames® Low Conference Table, Rectangular	32
Eames® Low Conference Table, Rectangular, Stone	55
Eames® Low Conference Table, Round	20
Eames® Low Conference Table, Round, Stone	50
Eames® Low Conference Table, Square	27
Eames® Low Conference Table, Square, Stone	53
Eames® Occasional Table, Round	5
Eames® Occasional Table, Round, Stone	15
Eames® Occasional Table, Square	10
Eames® Occasional Table, Square, Stone	18
Eames® Outdoor Occasional Table, Round	201
Eames® Outdoor Occasional Table, Square	203
Eames® Outdoor Table, Low Conference Height, Oval	207
Eames® Outdoor Table, Low Conference Height, Rectangular	205
Eames® Outdoor Table, Low Conference Height, Round	211
Eames® Outdoor Table, Low Conference Height, Square	209
Eames® Outdoor Table, Oval	219
Eames® Outdoor Table, Rectangular	217
Eames® Outdoor Table, Round	213
Eames® Outdoor Table, Square	215
Eames® Outdoor Table, Standing Height, Oval	228
Eames® Outdoor Table, Standing Height, Rectangular	226
Eames® Outdoor Table, Standing Height, Round	221
Eames® Outdoor Table, Standing Height, Square	224
Eames® Standing Height Table, Oval	160
Eames® Standing Height Table, Oval, Stone	187
Eames® Standing Height Table, Rectangular	140
Eames® Standing Height Table, Rectangular, Stone	185
Eames® Standing Height Table, Round	127
Eames® Standing Height Table, Round, Stone	180
Eames® Standing Height Table, Square	135
Eames® Standing Height Table, Square, Stone	183
Eames® Table Wire Shroud	200
Oval Power Module	192

Oval Power Module & Undermount Power	196
Pair of Oval Power Modules	194
Pair of Oval Power Module & Undermount Power	198
Round Dual USB Charging Unit	189
Round Power Module	190

Index: Product Name

Index by Product Number

ET5C. Eames® Indoor/Outdoor Table, Round Herman Miller x HAY	page(s) 66	ET155 Eames® Conference Table, Rectangular	72
ET104 Eames® Conference Table, Square	67	ET156 Eames® Conference Table, Oval	102
ET104 Eames® Conference Table, Square, Stone	121	ET156 Eames® Conference Table, Rectangular	72
ET105 Eames® Conference Table, Square	67	ET157 Eames® Conference Table, Oval	102
ET106		ET157 Eames® Conference Table, Rectangular	72
ET106 Eames® Conference Table, Square, Stone	121	ET158 Eames® Conference Table, Oval	102
ET107 Eames® Conference Table, Round	59	ET158 Eames® Conference Table, Rectangular	72
ET107 Eames® Conference Table, Round, Stone	118	ET160 Eames® Conference Table, Oval	102
ET108 Eames® Conference Table, Round	59	ET160 Eames® Conference Table, Rectangular	72
ET108 Eames® Conference Table, Round, Stone	118	ET161 Eames® Conference Table, Oval	102
ET109		ET161 Eames® Conference Table, Rectangular	72
ET110		ET162 Eames® Conference Table, Oval	102
ET122 Eames® Conference Table, Round	59	ET162 Eames® Conference Table, Rectangular	72
ET123		ET164 Eames® Conference Table, Oval	102
ET124		ET164 Eames® Conference Table, Rectangular	72
ET125		ET166 Eames® Conference Table, Oval	102
ET126		ET166 Eames® Conference Table, Rectangular	72
ET127		ET168 Eames® Conference Table, Oval	102
ET129		ET168 Eames® Conference Table, Rectangular	72
ET131		ET170 Eames® Conference Table, Oval	102
ET142 Eames® Conference Table, Rectangular	72	ET170 Eames® Conference Table, Rectangular	72
ET143 Eames® Conference Table, Oval	102	ET171 Eames® Conference Table, Oval	102
ET143 Eames® Conference Table, Oval, Stone	125	ET171 Eames® Conference Table, Rectangular	72
ET143 Eames® Conference Table, Rectangular	72	ET172 Eames® Conference Table, Oval	102
ET143 Eames® Conference Table, Rectangular, Stone	123	ET172 Eames® Conference Table, Rectangular	72
ET144 Eames® Conference Table, Oval	102	ET173 Eames® Conference Table, Oval	102
ET144 Eames® Conference Table, Rectangular	72	ET173 Eames® Conference Table, Rectangular	72
ET145		ET174 Eames® Conference Table, Oval	102
ET147 Eames® Conference Table, Oval	102	ET174 Eames® Conference Table, Rectangular	72
ET147 Eames® Conference Table, Rectangular	72	ET175 Eames® Conference Table, Oval	102
ET148 Eames® Conference Table, Square	67	ET175 Eames® Conference Table, Rectangular	72
ET149 Eames® Conference Table, Oval	102	ET176 Eames® Conference Table, Oval	102
ET150		ET176 Eames® Conference Table, Rectangular	72
ET150 Eames® Conference Table, Oval, Stone	125	ET177 Eames® Conference Table, Oval	102
ET150 Eames® Conference Table, Rectangular	72	ET177 Eames® Conference Table, Rectangular	72
ET150 Eames® Conference Table, Rectangular, Stone	123	ET178 Eames® Conference Table, Oval	102
ET151 Eames® Conference Table, Oval	102	ET178 Eames® Conference Table, Rectangular	72
ET151 Eames® Conference Table, Rectangular	72	ET187 Eames® Conference Table, Oval	102
ET152 Eames® Conference Table, Oval	102	ET187 Eames® Conference Table, Oval, Stone	125
ET152 Eames® Conference Table, Oval, Stone	125	ET187 Eames® Conference Table, Rectangular	72
ET152 Eames® Conference Table, Rectangular	72	ET187 Eames® Conference Table, Rectangular, Stone	123
ET152 Eames® Conference Table, Rectangular, Stone	123	ET188 Eames® Conference Table, Oval	102
ET153 Eames® Conference Table, Oval	102	ET188 Eames® Conference Table, Rectangular	72
ET154		ET189 Eames® Conference Table, Oval	102
ET154 Eames® Conference Table, Rectangular	72	ET189 Eames® Conference Table, Rectangular	72
ET155 Eames® Conference Table, Oval	102	ET204 Eames® Low Conference Table, Square	27
		ET204 Eames® Low Conference Table, Square, Stone	53

Index by Product Number *continued*

Index: Product Number

ET205	Eames® Low Conference Table, Square	27
ET206		
ET206	Eames® Low Conference Table, Square, Stone	53
ET207	Eames® Low Conference Table, Round	20
ET207	Eames® Low Conference Table, Round, Stone	50
ET208	Eames® Low Conference Table, Round	20
ET208	Eames® Low Conference Table, Round, Stone	50
ET209		
ET210		
ET222	Eames® Low Conference Table, Round	20
ET223		
ET224		
ET225		
ET226		
ET227		
ET229		
ET231		
ET242	Eames® Low Conference Table, Rectangular	32
ET243	Eames® Low Conference Table, Oval	41
ET243	Eames® Low Conference Table, Oval, Stone	57
ET243	Eames® Low Conference Table, Rectangular	32
ET243	Eames® Low Conference Table, Rectangular, Stone	55
ET244	Eames® Low Conference Table, Oval	41
ET244	Eames® Low Conference Table, Rectangular	32
ET245		
ET247	Eames® Low Conference Table, Oval	41
ET247	Eames® Low Conference Table, Rectangular	32
ET248	Eames® Low Conference Table, Square	27
ET249	Eames® Low Conference Table, Oval	41
ET250		
ET250	Eames® Low Conference Table, Oval, Stone	57
ET250	Eames® Low Conference Table, Rectangular	32
ET250	Eames® Low Conference Table, Rectangular, Stone	55
ET251	Eames® Low Conference Table, Oval	41
ET251	Eames® Low Conference Table, Rectangular	32
ET252	Eames® Low Conference Table, Oval	41
ET252	Eames® Low Conference Table, Oval, Stone	57
ET252	Eames® Low Conference Table, Rectangular	32
ET252	Eames® Low Conference Table, Rectangular, Stone	55
ET253	Eames® Low Conference Table, Oval	41
ET254		
ET254	Eames® Low Conference Table, Rectangular	32
ET255	Eames® Low Conference Table, Oval	41
ET255	Eames® Low Conference Table, Rectangular	32
ET256	Eames® Low Conference Table, Oval	41
ET256	Eames® Low Conference Table, Rectangular	32
ET257	Eames® Low Conference Table, Oval	41

ET257	Eames® Low Conference Table, Rectangular	32
ET287	Eames® Low Conference Table, Oval	41
ET287	Eames® Low Conference Table, Oval, Stone	57
ET287	Eames® Low Conference Table, Rectangular	32
ET287	Eames® Low Conference Table, Rectangular, Stone	55
ET288	Eames® Low Conference Table, Oval	41
ET288	Eames® Low Conference Table, Rectangular	32
ET289	Eames® Low Conference Table, Oval	41
ET289	Eames® Low Conference Table, Rectangular	32
ET304	Eames® Occasional Table, Square	10
ET304	Eames® Occasional Table, Square, Stone	18
ET305	Eames® Occasional Table, Square	10
ET306		
ET306	Eames® Occasional Table, Square, Stone	18
ET307	Eames® Occasional Table, Round	5
ET307	Eames® Occasional Table, Round, Stone	15
ET308	Eames® Occasional Table, Round	5
ET308	Eames® Occasional Table, Round, Stone	15
ET309	Eames® Occasional Table, Round	5
ET309	Eames® Occasional Table, Round, Stone	15
ET310	Eames® Occasional Table, Round	5
ET310	Eames® Occasional Table, Round, Stone	15
ET348	Eames® Occasional Table, Square	10
ET404	Eames® Standing Height Table, Square	135
ET404	Eames® Standing Height Table, Square, Stone	183
ET405	Eames® Standing Height Table, Square	135
ET406		
ET406	Eames® Standing Height Table, Square, Stone	183
ET407	Eames® Standing Height Table, Round	127
ET407	Eames® Standing Height Table, Round, Stone	180
ET408	Eames® Standing Height Table, Round	127
ET408	Eames® Standing Height Table, Round, Stone	180
ET409		
ET410		
ET422	Eames® Standing Height Table, Round	127
ET423		
ET424		
ET425		
ET426		
ET427		
ET429		
ET431		
ET443	Eames® Standing Height Table, Oval, Stone	187
ET443	Eames® Standing Height Table, Rectangular, Stone	185
ET448	Eames® Standing Height Table, Square	135
ET450	Eames® Standing Height Table, Oval, Stone	187
ET450	Eames® Standing Height Table, Rectangular, Stone	185

Index by Product Number *continued*



ET452	Eames® Standing Height Table, Oval, Stone	187	ET540	Eames® Outdoor Table, Standing Height, Round	221
ET452	Eames® Standing Height Table, Rectangular, Stone	185	ET540	Eames® Outdoor Table, Standing Height, Square	224
ET487	Eames® Standing Height Table, Oval, Stone	187	ET541	Eames® Outdoor Table, Standing Height, Round	221
ET487	Eames® Standing Height Table, Rectangular, Stone	185	ET543	Eames® Standing Height Table, Oval, Stone	187
ET504	Eames® Standing Height Table, Square	135	ET543	Eames® Standing Height Table, Rectangular, Stone	185
ET504	Eames® Standing Height Table, Square, Stone	183	ET544	Eames® Outdoor Table, Standing Height, Oval	228
ET505	Eames® Standing Height Table, Square	135	ET544	Eames® Outdoor Table, Standing Height, Rectangular	226
ET506			ET544	Eames® Outdoor Table, Standing Height, Square	224
ET506	Eames® Standing Height Table, Square, Stone	183	ET545	Eames® Outdoor Table, Standing Height, Oval	228
ET507	Eames® Standing Height Table, Round	127	ET545	Eames® Outdoor Table, Standing Height, Rectangular	226
ET507	Eames® Standing Height Table, Round, Stone	180	ET548	Eames® Outdoor Table, Standing Height, Oval	228
ET508	Eames® Standing Height Table, Round	127	ET548	Eames® Outdoor Table, Standing Height, Rectangular	226
ET508	Eames® Standing Height Table, Round, Stone	180	ET548	Eames® Standing Height Table, Square	135
ET509			ET550	Eames® Outdoor Table, Standing Height, Round	221
ET510	Eames® Outdoor Table, Round	213	ET550	Eames® Outdoor Table, Standing Height, Square	224
ET510	Eames® Outdoor Table, Square	215	ET550	Eames® Standing Height Table, Oval, Stone	187
ET510	Eames® Standing Height Table, Round, Stone	180	ET550	Eames® Standing Height Table, Rectangular, Stone	185
ET511	Eames® Outdoor Table, Round	213	ET551	Eames® Outdoor Table, Standing Height, Round	221
ET514	Eames® Outdoor Table, Oval	219	ET552	Eames® Standing Height Table, Oval, Stone	187
ET514	Eames® Outdoor Table, Rectangular	217	ET552	Eames® Standing Height Table, Rectangular, Stone	185
ET514	Eames® Outdoor Table, Square	215	ET554	Eames® Outdoor Table, Standing Height, Oval	228
ET515	Eames® Outdoor Table, Oval	219	ET554	Eames® Outdoor Table, Standing Height, Rectangular	226
ET515	Eames® Outdoor Table, Rectangular	217	ET554	Eames® Outdoor Table, Standing Height, Square	224
ET518	Eames® Outdoor Table, Oval	219	ET555	Eames® Outdoor Table, Standing Height, Oval	228
ET518	Eames® Outdoor Table, Rectangular	217	ET555	Eames® Outdoor Table, Standing Height, Rectangular	226
ET520	Eames® Outdoor Table, Low Conference Height, Round	211	ET558	Eames® Outdoor Table, Standing Height, Oval	228
ET520	Eames® Outdoor Table, Low Conference Height, Square	209	ET558	Eames® Outdoor Table, Standing Height, Rectangular	226
ET521	Eames® Outdoor Table, Low Conference Height, Round	211	ET587	Eames® Standing Height Table, Oval, Stone	187
ET522	Eames® Standing Height Table, Round	127	ET587	Eames® Standing Height Table, Rectangular, Stone	185
ET523			ET990.	Round Dual USB Charging Unit	189
ET524	Eames® Outdoor Table, Low Conference Height, Oval	207	ET991.	Round Power Module	190
ET524	Eames® Outdoor Table, Low Conference Height, Rectangular	205	ET992.	Oval Power Module	192
ET524	Eames® Outdoor Table, Low Conference Height, Square	209	ET993.	Pair of Oval Power Modules	194
ET524	Eames® Standing Height Table, Round	127	ET994.	Oval Power Module & Undermount Power	196
ET525	Eames® Outdoor Table, Low Conference Height, Oval	207	ET995.	Pair of Oval Power Module & Undermount Power	198
ET525	Eames® Outdoor Table, Low Conference Height, Rectangular	205	ET998.	Eames® Table Wire Shroud	200
ET525	Eames® Standing Height Table, Round	127			
ET526					
ET527					
ET528	Eames® Outdoor Table, Low Conference Height, Oval	207			
ET528	Eames® Outdoor Table, Low Conference Height, Rectangular	205			
ET529	Eames® Standing Height Table, Round	127			
ET530	Eames® Outdoor Occasional Table, Round	201			
ET530	Eames® Outdoor Occasional Table, Square	203			
ET531	Eames® Outdoor Occasional Table, Round	201			
ET531	Eames® Standing Height Table, Round	127			
ET534	Eames® Outdoor Occasional Table, Square	203			



20-Day or Less/Assigned Lead-Time Order Information

20-Day or Less and Assigned Lead-Time Programs

20-day or less and assigned lead-time products are designed for established Herman Miller dealers with pre-approved credit.

Products are distributed from multiple manufacturing facilities across the United States. All products and options not designated by an Assigned Lead-Time icon  will ship in 20 business days or less after being acknowledged by Herman Miller. Products and options designated by an  are on the assigned lead-time program and will ship in 20 days, less than 20 days, or more than 20 days from order acknowledgement.

Ordering Procedure

Please place orders through Order Manager. If this is not available to you, place orders through mail or fax. Verbal purchase orders will not be accepted.

Order Entry fax number for Meridian®

Filing and Storage: (616) 846 9236.

Order Entry fax number for all other products:

(616) 654 3085.

For more information, contact your Customer Care representative at:
(866) 854 3048 ext 3400.

Shipments and Delivery

Per Herman Miller Terms and Conditions.

Changes and Cancellation

Per Herman Miller Terms and Conditions.



Stain-to-Match Program

Stain-to-Match Program

Program Overview

The Stain-to-Match program gives you the option of using veneer finishes that are not listed in the standard offering. The program allows Herman Miller to match a customer's existing recut or natural veneer, or create a new finish that is unique to an installation.

Specific information on approval, ordering, pricing, and warranty for the Stain-to-Match program is listed below. Questions and requests for assistance may be directed to Herman Miller Options at:

(800) 654 3910

Ordering Products with Stain-to-Match Veneers

1. Fill out the Options Stain-to-Match Request Form and send along with a color sample (2" x 3" minimum) to the Herman Miller Options Applications Team at the address provided on the form. The form can be found on Omni.
2. Within 7-10 working days, Herman Miller Options will send a sample of the color-matched stain on Herman Miller veneer to the requester for the customer's signed approval.
3. If the sample meets the customer's approval, sign the reverse side of the sample, scan and email the approval to: options@hermanmiller.com.
4. After the stain has been approved, a formal quotation with special number and pricing can be provided, or the product can be specified through the Vary Easy program, if available. Work with the Options team on final product needs and how to specify.
5. A purchase order can then be placed.

Stain-to-Match Warranty

Herman Miller warrants its products to be free from defects in craftsmanship from the date of delivery for the applicable warranty period. Herman Miller is responsible for the physical properties of the veneers available through the Stain-to-Match program, which include:

- STA: Stain-to-Match on Recut Ash
- STC: Stain-to-Match on Cherry
- STD: Stain-to-Match on Oak
- STK: Stain-to-Match on Reltech Anigre (Geiger)
- STP: Stain-to-Match on Maple
- STU: Stain-to-Match on Walnut (Geiger)

See your specification tool for product specific finish offering limitations.

For more information about our products and services or to see a list of dealers, please visit us at HermanMiller.com or call (800) 851 1196.

© 2025 Herman Miller, Inc., Zeeland, Michigan

Distribution Rights

Working together since 1956, Herman Miller and Vitra are the authentic sources of designs by Charles and Ray Eames, Alexander Girard, and George Nelson. All the designs shown in this book are protected by law. Herman Miller has obtained all rights to make and sell these designs. Also, Herman Miller holds exclusive worldwide manufacturing and distribution rights for these products with the following exceptions:

Charles and Ray Eames, George Nelson, and Alexander Girard—Worldwide distribution rights for furniture in all areas except Europe and the Middle East. For those areas, please contact Vitra.

Isamu Noguchi—Worldwide distribution rights for the Noguchi Rudder Table. Distribution rights for the Noguchi Table in North America and Central America only. For all other areas, please contact Vitra.

Magis—Exclusive distribution rights in the US and Canada. For all other areas, please contact Magis.

© HermanMiller, 3D Intelligent, 8Z Pellicle, AO, Action Office, Aeron, Aside, Bubble Lamps, Canvas Office Landscape, Caper, Celle, Cosm, Co/Struc, Daisyone, Distil, Eames, Eco-Dematerialized, Embody, Envelop, Ethospace, Exclave, Fine-Tune, FlexFront, Flo, Formcoat, Formwork, Ground Cloth, Intent, Kinemat, Layout Studio, Lino, Live Unframed, Living Office, Maharam, Meridian, Mirra, Motia, Nelson, Pari, Pellicle, Perspectives, Plex, PostureFit, PostureFit SL, Public Office Landscape, Sayl, Setu, Striad, Tu, Ubi, Verus, Wishbone, Y-Tower and Zeph are among the registered trademarks of Herman Miller, Inc., and its owned subsidiaries.

™ About Face, AireWeave, Airia, Ambit, Asari Chair by HermanMiller, Backfit, Bubbletack, Burdick Group, Butterfly Back, Canvas Vista, Cellular Suspension, Commend, Compass, Connect, DOT, Duracare, Durawrap, EnhancedAccess, Everywhere, Flex-Edge, Flute, Harmonic, Headway, Herman Miller Select, Hopsak 2, Iota, Keyless Entry, Latitude, Logic Mini, Logic Power Access Solutions, Lyris, Lyris 2, Made-to-Measure Storage, Mora, Multiscrim, Nevi, OE1, OE1 Workspace Collection, Overlay, Pixelated Support, Pronta, Renew, Sense, Soft Pad, Stackable, Stackable Storage, Swoop, Thrive, Tone, TriFlex, Twist and Wireframe are among the trademarks of Herman Miller, Inc., and its owned subsidiaries.

SM Herman Miller Options is among the service marks of Herman Miller, Inc.

AAP™ is a trademark of Extron Electronics.

Alexander Girard® is a registered trademark of The Alexander Girard Estate.

Chemsur® is a registered trademark of Wilsonart International.

Corian® is a registered trademark of E. I. du Pont de Nemours and Company Corporation.

Crypton® is a registered trademark of Crypton, Inc.

DACRON® is a registered trademark of INVISTA S.a r.l.

Danzer® is a registered trademark of Danzer Holding AG.

Decora® is a registered trademark of Leviton Manufacturing Co., Inc.

Edelman® Leather is a registered trademark of Edelman Leather, Inc.

Extron® is a registered trademark of RGB Systems, Inc.

FENIX NTM® is a registered trademark of Arpa Industriale S.p.A.

FLEXNET™ is a trademark of Milliken & Company.

Floor Saver Glide® is a registered trademark of Carpin Manufacturing, Inc.

Forest Stewardship Council® is a registered trademark of the Forest Stewardship Council A.C. (FSC). We are FSC® certified (FSC® C102895).

FSC® is a registered trademark of the Forest Stewardship Council A.C. (FSC).

Geiger® is a registered trademark, and Bumper™, Saiba™, and Ward Bennett™ are trademarks, of Geiger International.

Hang-It-All® is a registered trademark of Lucia Eames Demetrios, d.b.a. Eames Office.

Holophane® is a registered trademark of Holophane.

Ingeo™ is a trademark of Cargill Dow LLC.

iPad® and Mac mini® are registered trademarks of Apple Inc.

Leviton® is a registered trademark of Leviton Manufacturing Co., Inc.

LifeSize® is a registered trademark of LifeSize Communications, Inc.

Lisocore® is a registered trademark of Pyrus Panels GmbH.

Logitech G® is a registered trademark of Logitech International S.A.

Magis®, Bombo®, and Me Too® are registered trademarks of Magis S.p.A.

MicrobeCare™ is a trademark of Parasol Medical LLC.

Microsoft® and Natural® Keyboard are registered trademarks of Microsoft Corporation.

Noguchi® and the Noguchi table configuration (trade dress) are registered trademarks, and Rudder Table™ is a trademark, of The Isamu Noguchi Foundation and Garden Museum.

Place Textiles® is a registered trademark of Place Textiles.

Sunbrella® is a registered trademark of Glen Raven, Inc.

SuperSeat™ is a trademark of Dahti Seating, a division of ITW.

Valor™ is among the trademarks owned by Nemschoff, Inc.