



Prices effective February 3, 2025

Published February 2025

Nemschoff® Pristo® Recliners

Introduction	page 2
Nemschoff® Pristo® Recliners	3
Recliner with Urethane Arm Caps, 34.5" Wide	5
Recliner with Urethane Arm Caps with Fold Down Arm RSF, 34.5" Wide	9
Plus Recliner, 37.5" Wide	12
Indices	17
By Name	17
By Number	19
Appendices	
20-Day or Less/Assigned Lead-Time Order Information	
Multiple Fabrics Guide	

Introduction

A Note on the Organization of This Book

There are a few signals that will help you understand the organization of this book. Once you know them, you should be able to find your way around easily.

Like a newspaper, this book is formatted with columns of text and illustrations that run vertically.

Information wraps from one column to the next and continues for as many pages as it needs to.

Black bars are clues.

A black bar at the top of a page signals the start of information about a product.

This information is divided into two sections, each signaled by a black bar. Product Information includes a description, additional notes, and dimensional drawings. Specification Information, which always begins at the top of a column, includes a series of steps. Each step represents a decision you need to make in order to complete your product number. Steps must be followed sequentially. The number of pages needed to complete information on a product varies; some will be complete in one page; others may fill three or four pages. Just continue going through the steps until you run into the next product, signaled by the black bar at the top of the page.

Black tabs running along the outside edge of the page help you locate what section you are in or what section you want to go to. You can thumb forwards or backwards to find a section; tabs and text appear on both sides of the page.

The additional pages in the back of the book include the appendices and indices. They are signaled by a long black bar running along the outside edge of the page.

The index is presented two ways.

The first index is in alphabetical order by product name. It can be helpful if you are new to the products and numbering scheme or if you are looking for a type of product, such as work chair or round table.

The second index is by product number. It lists, in alphanumeric order, the base product number, typically a five-digit number.

General Information

This book is effective February 3, 2025, subject to change without notice. Products may be purchased from authorized Herman Miller dealers who will quote prices upon request. For more information about our products and services or to see a list of dealers, visit www.HermanMiller.com.


All prices are list prices. Additional services, such as planning services, design, storage, and installation, are not included and must be added to these prices when the additional services are requested.


Illustrations, specifications, and prices are based on the latest information at the time of publication. The right is reserved to make changes at any time without notice in prices, fabrics, finishes, materials, specifications, and models, and also to discontinue models and finishes.

Dimensions shown in the drawings are engineering drawing dimensions rounded up to the nearest $\frac{1}{8}$ ". Product is shipped set up or knocked down. Products that include "Shipped knocked down" in the description require some assembly. If this statement does not appear in the description, the product is shipped assembled.

Service problems are normally handled by a Herman Miller authorized dealer. Where this cannot be accomplished on a local level, service problems should be referred to the Customer Care Representative for your region, Herman Miller, Inc., Zeeland, Michigan 49464.

20-Day or Less/Assigned Lead-Time Shipments

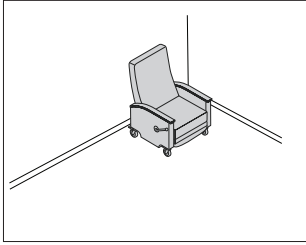
All products and options in this price book not designated by an Assigned Program icon  will ship in **20 business days or less** after being acknowledged by Herman Miller.

Products and options designated by an  are on the assigned lead-time program and may ship in 20 days, less than 20 days, or more than 20 days from order acknowledgement.

Pristo®

Pristo® Recliner with Urethane Arm Caps, 34.5" Wide

PRTT-



Product Information

Description

Features:

- Spring seat construction
- Replaceable components
- Removable covers
- Urethane arm caps
- 5" caster, front swivel with brakes, rear fixed
- Arcade back
- Wallsaver edge
- Nemschoff® healthcare wood finish
- Indoor Advantage™ Gold Certified

Notes

Swivel table (LSF) prevents interference with the recline lever handle

Weight—144 lbs

COM yardage:

Single Fabric—6½

Multiple Fabrics:

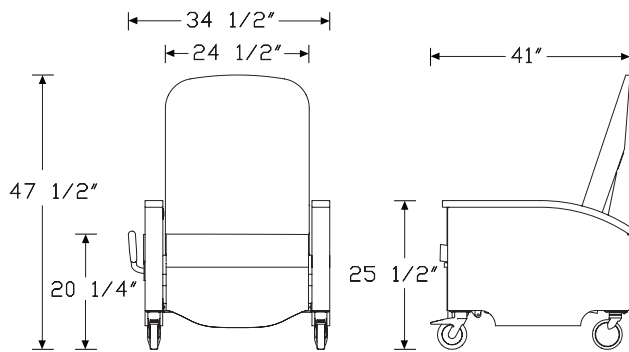
Seat—1¼

Back—3

Arms—3½

Footrest—¾

Dimensions



Specification Information

Step 1.

PRTT **A**

Step 2. Size

-16 34.5" wide **A** +\$8006

Step 3. Back Style

R arcade back style **A** +\$0

S square back style **A** +\$0

Step 4. Folding Side Table

N no folding side table **A** +\$0

R right side facing of unit **A** +\$416

Step 5. Adjustable Tray Table

N no adjustable tray table **A** +\$0

R right side facing of unit **A** +\$1079

Step 6. Accessory and Swivel Table

NN no accessory or swivel table **A** +\$0

NS no accessory table - swivel table LSF of unit **A** +\$552

LN accessory table on LSF of unit - no swivel table **A** +\$1194

RN accessory table on RSF of unit - no swivel table **A** +\$1194

RS accessory table on RSF of unit - swivel table LSF of unit **A** +\$1745

BB accessory tables on both sides of unit **A** +\$2387

Step 7. Arm Caps and Trim Detail

PU pewter urethane arm caps and upholstered trim **A** +\$60

RU black urethane arm caps and upholstered trim **A** +\$0

UU upholstered arm caps and trim **A** +\$148

WW wood arm caps and trim **A** +\$148

Step 8. Fire Retardancy

NR not fire retardant (non CTB-133) **A** +\$0

Step 9. Fabric Configuration

1F one fabric **A** +\$0

MF multiple fabrics **A** +\$127

Nemschoff® Pristo® Recliners

Pristo® Recliner with Urethane Arm
Caps, 34.5" Wide *continued*

Step 10. Laminate Top Finish

For right side facing of unit (R) with no adjustable tray table (N) with no accessory or swivel table (NN), no accessory table - swivel table LSF of unit (NS), accessory table on LSF of unit - no swivel table (LN), or accessory table on RSF of unit - no swivel table (RN), or accessory table on RSF of unit - swivel table LSF of unit (RS), or accessory tables on both sides of unit (BB)

0W	dark brown walnut	A	+\$0
2K	aged teak	A	+\$0
76	light brown walnut	A	+\$0
8Q	folkstone grey (CP)	A	+\$0
91	white (CP)	A	+\$0
98	studio white (CP)	A	+\$0
BKN	black	A	+\$0
LU	soft white	A	+\$0
OG	honey maple	A	+\$0
WL	warm stone (CP)	A	+\$0
WY	medium cherry	A	+\$0

For right side facing of unit (R) with right side facing of unit (R) with no accessory or swivel table (NN), no accessory table - swivel table LSF of unit (NS), accessory table on LSF of unit - no swivel table (LN), or accessory table on RSF of unit - no swivel table (RN), or accessory table on RSF of unit - swivel table LSF of unit (RS), or accessory tables on both sides of unit (BB)

0W	dark brown walnut	A	+\$0
2K	aged teak	A	+\$0
76	light brown walnut	A	+\$0
8Q	folkstone grey (CP)	A	+\$0
91	white (CP)	A	+\$0
98	studio white (CP)	A	+\$0
BKN	black	A	+\$0
LU	soft white	A	+\$0
OG	honey maple	A	+\$0
WL	warm stone (CP)	A	+\$0
WY	medium cherry	A	+\$0

For no folding side table (N) with no adjustable tray table (N) with no accessory table - swivel table LSF of unit (NS), accessory table on LSF of unit - no swivel table (LN), or accessory table on RSF of unit - no swivel table (RN), or accessory table on RSF of unit - swivel table LSF of unit (RS), or accessory tables on both sides of unit (BB)

0W	dark brown walnut	A	+\$0
2K	aged teak	A	+\$0
76	light brown walnut	A	+\$0
8Q	folkstone grey (CP)	A	+\$0
91	white (CP)	A	+\$0
98	studio white (CP)	A	+\$0
BKN	black	A	+\$0
LU	soft white	A	+\$0
OG	honey maple	A	+\$0
WL	warm stone (CP)	A	+\$0
WY	medium cherry	A	+\$0

For no folding side table (N) with right side facing of unit (R) with no accessory or swivel table (NN), no accessory table - swivel table LSF of unit (NS), accessory table on LSF of unit - no swivel table (LN), or accessory table on RSF of unit - no swivel table (RN), or accessory table on RSF of unit - swivel table LSF of unit (RS), or accessory tables on both sides of unit (BB)

0W	dark brown walnut	A	+\$0
2K	aged teak	A	+\$0
76	light brown walnut	A	+\$0
8Q	folkstone grey (CP)	A	+\$0
91	white (CP)	A	+\$0
98	studio white (CP)	A	+\$0
BKN	black	A	+\$0
LU	soft white	A	+\$0
OG	honey maple	A	+\$0
WL	warm stone (CP)	A	+\$0
WY	medium cherry	A	+\$0

Pristo® Recliner with Urethane Arm
Caps, 34.5" Wide *continued*

Step 11. Wood Edge Finish

For right side facing of unit (R) with no adjustable tray table (N) with no accessory or swivel table (NN), no accessory table - swivel table LSF of unit (NS), accessory table on LSF of unit - no swivel table (LN), or accessory table on RSF of unit - no swivel table (RN), or accessory table on RSF of unit - swivel table LSF of unit (RS), or accessory tables on both sides of unit (BB)

0Z	medium cherry <input type="checkbox"/>	+\$0
2U	light brown walnut <input type="checkbox"/>	+\$0
40	dark brown walnut <input type="checkbox"/>	+\$0
5K	honey maple <input type="checkbox"/>	+\$0
ED	aged cherry <input type="checkbox"/>	+\$0
IZ	aged teak <input type="checkbox"/>	+\$0
UL	natural maple <input type="checkbox"/>	+\$0

For right side facing of unit (R) with right side facing of unit (R) with no accessory or swivel table (NN), no accessory table - swivel table LSF of unit (NS), accessory table on LSF of unit - no swivel table (LN), or accessory table on RSF of unit - no swivel table (RN), or accessory table on RSF of unit - swivel table LSF of unit (RS), or accessory tables on both sides of unit (BB)

0Z	medium cherry <input type="checkbox"/>	+\$0
2U	light brown walnut <input type="checkbox"/>	+\$0
40	dark brown walnut <input type="checkbox"/>	+\$0
5K	honey maple <input type="checkbox"/>	+\$0
ED	aged cherry <input type="checkbox"/>	+\$0
IZ	aged teak <input type="checkbox"/>	+\$0
UL	natural maple <input type="checkbox"/>	+\$0

For no folding side table (N) with no adjustable tray table (N) with no accessory table - swivel table LSF of unit (NS), accessory table on LSF of unit - no swivel table (LN), or accessory table on RSF of unit - no swivel table (RN), or accessory table on RSF of unit - swivel table LSF of unit (RS), or accessory tables on both sides of unit (BB)

0Z	medium cherry <input type="checkbox"/>	+\$0
2U	light brown walnut <input type="checkbox"/>	+\$0
40	dark brown walnut <input type="checkbox"/>	+\$0
5K	honey maple <input type="checkbox"/>	+\$0
ED	aged cherry <input type="checkbox"/>	+\$0
IZ	aged teak <input type="checkbox"/>	+\$0
UL	natural maple <input type="checkbox"/>	+\$0

For no folding side table (N) with right side facing of unit (R) with no accessory or swivel table (NN), no accessory table - swivel table LSF of unit (NS), accessory table on LSF of unit - no swivel table (LN), or accessory table on RSF of unit - no swivel table (RN), or accessory table on RSF of unit - swivel table LSF of unit (RS), or accessory tables on both sides of unit (BB)

0Z	medium cherry <input type="checkbox"/>	+\$0
2U	light brown walnut <input type="checkbox"/>	+\$0
40	dark brown walnut <input type="checkbox"/>	+\$0
5K	honey maple <input type="checkbox"/>	+\$0
ED	aged cherry <input type="checkbox"/>	+\$0
IZ	aged teak <input type="checkbox"/>	+\$0
UL	natural maple <input type="checkbox"/>	+\$0

Step 12. Wood Finish

For wood arm caps and trim (WW)

0Z	medium cherry <input type="checkbox"/>	+\$0
2U	light brown walnut <input type="checkbox"/>	+\$0
40	dark brown walnut <input type="checkbox"/>	+\$0
5K	honey maple <input type="checkbox"/>	+\$0
ED	aged cherry <input type="checkbox"/>	+\$0
IZ	aged teak <input type="checkbox"/>	+\$0
UL	natural maple <input type="checkbox"/>	+\$0

Step 13. Push Bar or Lay Flat Recline

NNN	standard recline - no push bar <input type="checkbox"/>	+\$0
PBR	push bar <input type="checkbox"/>	+\$156
LFR	lay flat recline <input type="checkbox"/>	+\$316

Step 14. Recline Activation Location

MAL	standard location - mid inside arm <input type="checkbox"/>	+\$0
FAL	optional location - front inside arm <input type="checkbox"/>	+\$70
DBL	dual button - both locations <input type="checkbox"/>	+\$316

Step 15. Utility Hook

NNN	no utility hook <input type="checkbox"/>	+\$0
RSF	right side facing of unit <input type="checkbox"/>	+\$196

Step 16. Central Brake and Steer Caster System

NNN	no central brake and steer caster system <input type="checkbox"/>	+\$0
CBS	central brake and steer caster system <input type="checkbox"/>	+\$1104

Step 17. Moisture Barrier Option

MBN	no moisture barrier <input type="checkbox"/>	+\$0
MBB	moisture barrier back only <input type="checkbox"/>	+\$175
MBS	moisture barrier seat only <input type="checkbox"/>	+\$175
MBX	moisture barrier seat and back <input type="checkbox"/>	+\$350

Pristo® Recliner with Urethane Arm
Caps, 34.5" Wide *continued*

Nemschoff® Pristo® Recliners

Step 18. MicrobeCare Selection		
MCN	no MicrobeCare protection <input type="checkbox"/> A	+\$0
MCY	MicrobeCare protection <input type="checkbox"/> A	+\$175

Step 19. Fabric		
<i>For not fire retardant (non CTB-133) (NR) with one fabric (1F)</i>		
Price Category (Nemschoff) Series 3		+\$0
Price Category (Nemschoff) Series 4		+\$377
Price Category (Nemschoff) Series 5		+\$771
Price Category (Nemschoff) Series 6		+\$1242
Price Category (Nemschoff) Series 7		+\$1714
Price Category (Nemschoff) Series 8		+\$2305

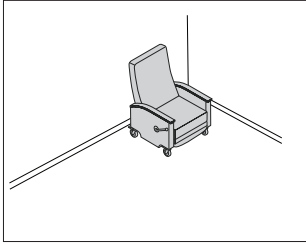
Step 20. Seat Fabric		
<i>For not fire retardant (non CTB-133) (NR) with multiple fabrics (MF)</i>		
Price Category (Nemschoff) Series 3		+\$0
Price Category (Nemschoff) Series 4		+\$72
Price Category (Nemschoff) Series 5		+\$139
Price Category (Nemschoff) Series 6		+\$220
Price Category (Nemschoff) Series 7		+\$304
Price Category (Nemschoff) Series 8		+\$405

Step 21. Back Fabric		
<i>For not fire retardant (non CTB-133) (NR) with multiple fabrics (MF)</i>		
Price Category (Nemschoff) Series 3		+\$0
Price Category (Nemschoff) Series 4		+\$176
Price Category (Nemschoff) Series 5		+\$349
Price Category (Nemschoff) Series 6		+\$552
Price Category (Nemschoff) Series 7		+\$758
Price Category (Nemschoff) Series 8		+\$1016

Step 22. Arm Fabric		
<i>For not fire retardant (non CTB-133) (NR) with multiple fabrics (MF)</i>		
Price Category (Nemschoff) Series 3		+\$0
Price Category (Nemschoff) Series 4		+\$205
Price Category (Nemschoff) Series 5		+\$401
Price Category (Nemschoff) Series 6		+\$638
Price Category (Nemschoff) Series 7		+\$874
Price Category (Nemschoff) Series 8		+\$1171

Step 23. Footrest Fabric		
<i>For not fire retardant (non CTB-133) (NR) with multiple fabrics (MF)</i>		
Price Category (Nemschoff) Series 3		+\$0
Price Category (Nemschoff) Series 4		+\$41
Price Category (Nemschoff) Series 5		+\$80
Price Category (Nemschoff) Series 6		+\$123
Price Category (Nemschoff) Series 7		+\$170
Price Category (Nemschoff) Series 8		+\$225

Pristo® Recliner with Urethane Arm Caps with Fold Down Arm RSF, 34.5" Wide PRTT-



Product Information

Description

Features:

- Spring seat construction
- Replaceable components
- Removable covers
- Urethane arm caps
- 5" caster, front swivel with brakes, rear fixed
- Arcade back
- Wallsaver edge
- Nemschoff® healthcare wood finish
- Indoor Advantage™ Gold Certified

Notes

Swivel table (LSF) prevents interference with the recline lever handle

Weight—150 lbs

COM yardage:

Single Fabric—6½

Multiple Fabrics:

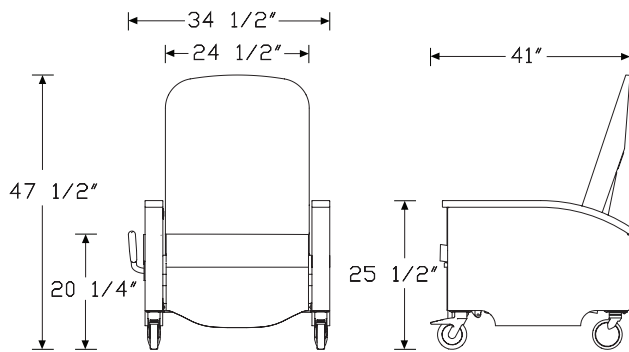
Seat—1¼

Back—3

Arms—3½

Footrest—¾

Dimensions



Specification Information

Step 1.

PRTT A

Step 2. Size

-16FA 34.5" wide A +\$8967

Step 3. Back Style

R arcade back style A +\$0

S square back style A +\$0

Step 4. Accessory and Swivel Table

NN no accessory or swivel table A +\$0

NS no accessory table - swivel table LSF of unit A +\$552

LN accessory table on LSF of unit - no swivel table A +\$1194

Step 5. Arm Caps and Trim Detail

PU pewter urethane arm caps and upholstered trim A +\$60

RU black urethane arm caps and upholstered trim A +\$0

UU upholstered arm caps and trim A +\$148

WW wood arm caps and trim A +\$148

Step 6. Fire Retardancy

NR not fire retardant (non CTB-133) A +\$0

Step 7. Fabric Configuration

1F one fabric A +\$0

MF multiple fabrics A +\$127

Step 8. Laminate Top Finish

For no accessory table - swivel table LSF of unit (NS) or accessory table on LSF of unit - no swivel table (LN)

0W dark brown walnut A +\$0

2K aged teak A +\$0

76 light brown walnut A +\$0

8Q folkstone grey (CP) A +\$0

91 white (CP) A +\$0

98 studio white (CP) A +\$0

BKN black A +\$0

LU soft white A +\$0

OG honey maple A +\$0

WL warm stone (CP) A +\$0

WY medium cherry A +\$0

Pristo® Recliner with Urethane Arm
Caps with Fold Down Arm RSF, 34.5"
Wide *continued*

Step 9. Wood Edge Finish		
<i>For no accessory table - swivel table LSF of unit (NS) or accessory table on LSF of unit - no swivel table (LN)</i>		
0Z	medium cherry <input type="checkbox"/>	+\$0
2U	light brown walnut <input type="checkbox"/>	+\$0
40	dark brown walnut <input type="checkbox"/>	+\$0
5K	honey maple <input type="checkbox"/>	+\$0
ED	aged cherry <input type="checkbox"/>	+\$0
IZ	aged teak <input type="checkbox"/>	+\$0
UL	natural maple <input type="checkbox"/>	+\$0

Step 10. Wood Arm Cap/Trim Finish		
<i>For wood arm caps and trim (WW)</i>		
0Z	medium cherry <input type="checkbox"/>	+\$0
2U	light brown walnut <input type="checkbox"/>	+\$0
40	dark brown walnut <input type="checkbox"/>	+\$0
5K	honey maple <input type="checkbox"/>	+\$0
ED	aged cherry <input type="checkbox"/>	+\$0
IZ	aged teak <input type="checkbox"/>	+\$0
UL	natural maple <input type="checkbox"/>	+\$0

Step 11. Push Bar or Lay Flat Recline		
NNN	standard recline - no push bar <input type="checkbox"/>	+\$0
PBR	push bar <input type="checkbox"/>	+\$156
LFR	lay flat recline <input type="checkbox"/>	+\$316

Step 12. Recline Activation Location		
MAL	standard location - mid inside arm <input type="checkbox"/>	+\$0
FAL	optional location - front inside arm <input type="checkbox"/>	+\$70
DBL	dual button - both locations <input type="checkbox"/>	+\$316

Step 13. Central Brake and Steer Caster System		
NNN	no central brake and steer caster system <input type="checkbox"/>	+\$0
CBS	central brake and steer caster system <input type="checkbox"/>	+\$1104

Step 14. Moisture Barrier Option		
MBN	no moisture barrier <input type="checkbox"/>	+\$0
MBB	moisture barrier back only <input type="checkbox"/>	+\$175
MBS	moisture barrier seat only <input type="checkbox"/>	+\$175
MBX	moisture barrier seat and back <input type="checkbox"/>	+\$350

Step 15. MicrobeCare Selection		
MCN	no MicrobeCare protection <input type="checkbox"/>	+\$0
MCY	MicrobeCare protection <input type="checkbox"/>	+\$175

Step 16. Fabric	
<i>For not fire retardant (non CTB-133) (NR) with one fabric (1F)</i>	
Price Category (Nemschoff) Series 3	+\$0
Price Category (Nemschoff) Series 4	+\$377
Price Category (Nemschoff) Series 5	+\$771
Price Category (Nemschoff) Series 6	+\$1242
Price Category (Nemschoff) Series 7	+\$1714
Price Category (Nemschoff) Series 8	+\$2305

Step 17. Seat Fabric	
<i>For not fire retardant (non CTB-133) (NR) with multiple fabrics (MF)</i>	
Price Category (Nemschoff) Series 3	+\$0
Price Category (Nemschoff) Series 4	+\$72
Price Category (Nemschoff) Series 5	+\$139
Price Category (Nemschoff) Series 6	+\$220
Price Category (Nemschoff) Series 7	+\$304
Price Category (Nemschoff) Series 8	+\$405

Step 18. Back Fabric	
<i>For not fire retardant (non CTB-133) (NR) with multiple fabrics (MF)</i>	
Price Category (Nemschoff) Series 3	+\$0
Price Category (Nemschoff) Series 4	+\$176
Price Category (Nemschoff) Series 5	+\$349
Price Category (Nemschoff) Series 6	+\$552
Price Category (Nemschoff) Series 7	+\$758
Price Category (Nemschoff) Series 8	+\$1016

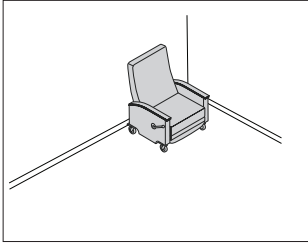
Step 19. Arm Fabric	
<i>For not fire retardant (non CTB-133) (NR) with multiple fabrics (MF)</i>	
Price Category (Nemschoff) Series 3	+\$0
Price Category (Nemschoff) Series 4	+\$205
Price Category (Nemschoff) Series 5	+\$401
Price Category (Nemschoff) Series 6	+\$638
Price Category (Nemschoff) Series 7	+\$874
Price Category (Nemschoff) Series 8	+\$1171

Pristo® Recliner with Urethane Arm
Caps with Fold Down Arm RSF, 34.5"
Wide *continued*

Step 20. Footrest Fabric

*For not fire retardant (non CTB-133) (NR) with multiple fabrics
(MF)*

Price Category (Nemschoff) Series 3	+\$0
Price Category (Nemschoff) Series 4	+\$41
Price Category (Nemschoff) Series 5	+\$80
Price Category (Nemschoff) Series 6	+\$123
Price Category (Nemschoff) Series 7	+\$170
Price Category (Nemschoff) Series 8	+\$225



Nemschoff® Pristo® Recliners

Product Information

Description

Features:

- Spring seat construction
- Replaceable components
- Removable covers
- Urethane arm caps
- Three-position footrest
- 5" caster, front swivel with brakes, rear fixed
- Arcade back
- Wallsaver edge
- Nemschoff® healthcare wood finish
- Indoor Advantage™ Gold Certified

Notes

Swivel table (LSF) prevents interference with the recline lever handle

Depth—33 1/2" / 59" (fully reclined)

Weight—170 lbs

COM yardage:

Single Fabric—8 1/2

Multiple Fabrics:

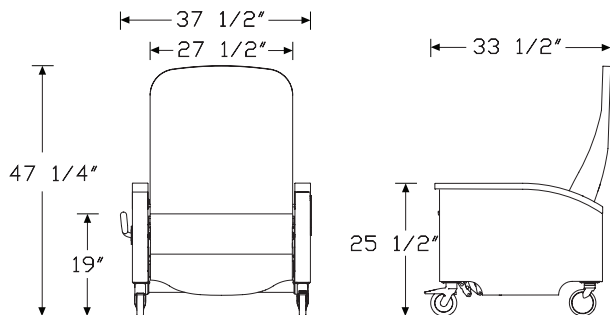
Seat—1 1/2

Back—3 1/2

Arms—3 1/2

Footrest—3/4

Dimensions



Specification Information

Step 1.

PRCL A

Step 2. Size

-160B 37.5" wide A +\$8593

Step 3. Back Style

R arcade back style A +\$0

S square back style A +\$0

Step 4. Folding Side Table

N no folding side table A +\$0

R right side facing of unit A +\$416

Step 5. Adjustable Tray Table

N no adjustable tray table A +\$0

R right side facing of unit A +\$1079

Step 6. Accessory and Swivel Table

NN no accessory or swivel table A +\$0

NS no accessory table - swivel table LSF of unit A +\$552

LN accessory table on LSF of unit - no swivel table A +\$1194

RN accessory table on RSF of unit - no swivel table A +\$1194

RS accessory table on RSF of unit - swivel table LSF of unit A +\$1745

BB accessory tables on both sides of unit A +\$2387

Step 7. Arm Cap Detail

P pewter urethane arm caps A +\$60

R black urethane arm caps A +\$0

U upholstered arm caps A +\$148

W wood arm caps A +\$148

Step 8. Fire Retardancy

NR not fire retardant (non CTB-133) A +\$0

Step 9. Fabric Configuration

1F one fabric A +\$0

MF multiple fabrics A +\$127

Pristo® Plus Recliner, 37.5" Wide

continued

Step 10. Laminate Top Finish

For right side facing of unit (R) with no adjustable tray table (N) with no accessory or swivel table (NN), no accessory table - swivel table LSF of unit (NS), accessory table on LSF of unit - no swivel table (LN), or accessory table on RSF of unit - no swivel table (RN), or accessory table on RSF of unit - swivel table LSF of unit (RS), or accessory tables on both sides of unit (BB)

0W	dark brown walnut <input type="checkbox"/>	+\$0
2K	aged teak <input type="checkbox"/>	+\$0
76	light brown walnut <input type="checkbox"/>	+\$0
8Q	folkstone grey (CP) <input type="checkbox"/>	+\$0
91	white (CP) <input type="checkbox"/>	+\$0
98	studio white (CP) <input type="checkbox"/>	+\$0
BKN	black <input type="checkbox"/>	+\$0
LU	soft white <input type="checkbox"/>	+\$0
OG	honey maple <input type="checkbox"/>	+\$0
WL	warm stone (CP) <input type="checkbox"/>	+\$0
WY	medium cherry <input type="checkbox"/>	+\$0

For right side facing of unit (R) with right side facing of unit (R) with no accessory or swivel table (NN), no accessory table - swivel table LSF of unit (NS), accessory table on LSF of unit - no swivel table (LN), or accessory table on RSF of unit - no swivel table (RN), or accessory table on RSF of unit - swivel table LSF of unit (RS), or accessory tables on both sides of unit (BB)

0W	dark brown walnut <input type="checkbox"/>	+\$0
2K	aged teak <input type="checkbox"/>	+\$0
76	light brown walnut <input type="checkbox"/>	+\$0
8Q	folkstone grey (CP) <input type="checkbox"/>	+\$0
91	white (CP) <input type="checkbox"/>	+\$0
98	studio white (CP) <input type="checkbox"/>	+\$0
BKN	black <input type="checkbox"/>	+\$0
LU	soft white <input type="checkbox"/>	+\$0
OG	honey maple <input type="checkbox"/>	+\$0
WL	warm stone (CP) <input type="checkbox"/>	+\$0
WY	medium cherry <input type="checkbox"/>	+\$0

For no folding side table (N) with no adjustable tray table (N) with no accessory table - swivel table LSF of unit (NS), accessory table on LSF of unit - no swivel table (LN), or accessory table on RSF of unit - no swivel table (RN), or accessory table on RSF of unit - swivel table LSF of unit (RS), or accessory tables on both sides of unit (BB)

0W	dark brown walnut <input type="checkbox"/>	+\$0
2K	aged teak <input type="checkbox"/>	+\$0
76	light brown walnut <input type="checkbox"/>	+\$0
8Q	folkstone grey (CP) <input type="checkbox"/>	+\$0
91	white (CP) <input type="checkbox"/>	+\$0
98	studio white (CP) <input type="checkbox"/>	+\$0
BKN	black <input type="checkbox"/>	+\$0
LU	soft white <input type="checkbox"/>	+\$0
OG	honey maple <input type="checkbox"/>	+\$0
WL	warm stone (CP) <input type="checkbox"/>	+\$0
WY	medium cherry <input type="checkbox"/>	+\$0

For no folding side table (N) with right side facing of unit (R) with no accessory or swivel table (NN), no accessory table - swivel table LSF of unit (NS), accessory table on LSF of unit - no swivel table (LN), or accessory table on RSF of unit - no swivel table (RN), or accessory table on RSF of unit - swivel table LSF of unit (RS), or accessory tables on both sides of unit (BB)

0W	dark brown walnut <input type="checkbox"/>	+\$0
2K	aged teak <input type="checkbox"/>	+\$0
76	light brown walnut <input type="checkbox"/>	+\$0
8Q	folkstone grey (CP) <input type="checkbox"/>	+\$0
91	white (CP) <input type="checkbox"/>	+\$0
98	studio white (CP) <input type="checkbox"/>	+\$0
BKN	black <input type="checkbox"/>	+\$0
LU	soft white <input type="checkbox"/>	+\$0
OG	honey maple <input type="checkbox"/>	+\$0
WL	warm stone (CP) <input type="checkbox"/>	+\$0
WY	medium cherry <input type="checkbox"/>	+\$0

Pristo® Plus Recliner, 37.5" Wide

continued

Step 11. Wood Edge Finish

For right side facing of unit (R) with no adjustable tray table (N) with no accessory or swivel table (NN), no accessory table - swivel table LSF of unit (NS), accessory table on LSF of unit - no swivel table (LN), or accessory table on RSF of unit - no swivel table (RN), or accessory table on RSF of unit - swivel table LSF of unit (RS), or accessory tables on both sides of unit (BB)

0Z	medium cherry	A	+\$0
2U	light brown walnut	A	+\$0
40	dark brown walnut	A	+\$0
5K	honey maple	A	+\$0
ED	aged cherry	A	+\$0
IZ	aged teak	A	+\$0
UL	natural maple	A	+\$0

For right side facing of unit (R) with right side facing of unit (R) with no accessory or swivel table (NN), no accessory table - swivel table LSF of unit (NS), accessory table on LSF of unit - no swivel table (LN), or accessory table on RSF of unit - no swivel table (RN), or accessory table on RSF of unit - swivel table LSF of unit (RS), or accessory tables on both sides of unit (BB)

0Z	medium cherry	A	+\$0
2U	light brown walnut	A	+\$0
40	dark brown walnut	A	+\$0
5K	honey maple	A	+\$0
ED	aged cherry	A	+\$0
IZ	aged teak	A	+\$0
UL	natural maple	A	+\$0

For no folding side table (N) with no adjustable tray table (N) with no accessory table - swivel table LSF of unit (NS), accessory table on LSF of unit - no swivel table (LN), or accessory table on RSF of unit - no swivel table (RN), or accessory table on RSF of unit - swivel table LSF of unit (RS), or accessory tables on both sides of unit (BB)

0Z	medium cherry	A	+\$0
2U	light brown walnut	A	+\$0
40	dark brown walnut	A	+\$0
5K	honey maple	A	+\$0
ED	aged cherry	A	+\$0
IZ	aged teak	A	+\$0
UL	natural maple	A	+\$0

For no folding side table (N) with right side facing of unit (R) with no accessory or swivel table (NN), no accessory table - swivel table LSF of unit (NS), accessory table on LSF of unit - no swivel table (LN), or accessory table on RSF of unit - no swivel table (RN), or accessory table on RSF of unit - swivel table LSF of unit (RS), or accessory tables on both sides of unit (BB)

0Z	medium cherry	A	+\$0
2U	light brown walnut	A	+\$0
40	dark brown walnut	A	+\$0
5K	honey maple	A	+\$0
ED	aged cherry	A	+\$0
IZ	aged teak	A	+\$0
UL	natural maple	A	+\$0

Step 12. Arm Cap Finish

For upholstered arm caps (U)

SU	same as chair arm upholstery	A	+\$0
----	------------------------------	---	------

For wood arm caps (W)

0Z	medium cherry	A	+\$0
2U	light brown walnut	A	+\$0
40	dark brown walnut	A	+\$0
5K	honey maple	A	+\$0
ED	aged cherry	A	+\$0
IZ	aged teak	A	+\$0
UL	natural maple	A	+\$0

Step 13. Utility Hook

NNN	no utility hook	A	+\$0
RSF	right side facing of unit	A	+\$196

Step 14. Moisture Barrier Option

MBN	no moisture barrier	A	+\$0
MBB	moisture barrier back only	A	+\$175
MBS	moisture barrier seat only	A	+\$175
MBX	moisture barrier seat and back	A	+\$350

Step 15. MicrobeCare Selection

MCN	no MicrobeCare protection	A	+\$0
MCY	MicrobeCare protection	A	+\$175

Pristo® Plus Recliner, 37.5" Wide

continued

Step 16. Fabric	
<i>For not fire retardant (non CTB-133) (NR) with one fabric (1F)</i>	
Price Category (Nemschoff) Series 3	+\$0
Price Category (Nemschoff) Series 4	+\$494
Price Category (Nemschoff) Series 5	+\$1010
Price Category (Nemschoff) Series 6	+\$1622
Price Category (Nemschoff) Series 7	+\$2240
Price Category (Nemschoff) Series 8	+\$3015

Step 17. Seat Fabric	
<i>For not fire retardant (non CTB-133) (NR) with multiple fabrics (MF)</i>	
Price Category (Nemschoff) Series 3	+\$0
Price Category (Nemschoff) Series 4	+\$96
Price Category (Nemschoff) Series 5	+\$185
Price Category (Nemschoff) Series 6	+\$293
Price Category (Nemschoff) Series 7	+\$402
Price Category (Nemschoff) Series 8	+\$539

Step 18. Back Fabric	
<i>For not fire retardant (non CTB-133) (NR) with multiple fabrics (MF)</i>	
Price Category (Nemschoff) Series 3	+\$0
Price Category (Nemschoff) Series 4	+\$248
Price Category (Nemschoff) Series 5	+\$490
Price Category (Nemschoff) Series 6	+\$774
Price Category (Nemschoff) Series 7	+\$1065
Price Category (Nemschoff) Series 8	+\$1428

Step 19. Arm Fabric	
<i>For not fire retardant (non CTB-133) (NR) with multiple fabrics (MF)</i>	
Price Category (Nemschoff) Series 3	+\$0
Price Category (Nemschoff) Series 4	+\$248
Price Category (Nemschoff) Series 5	+\$490
Price Category (Nemschoff) Series 6	+\$774
Price Category (Nemschoff) Series 7	+\$1065
Price Category (Nemschoff) Series 8	+\$1428

Step 20. Footrest Fabric	
<i>For not fire retardant (non CTB-133) (NR) with multiple fabrics (MF)</i>	
Price Category (Nemschoff) Series 3	+\$0
Price Category (Nemschoff) Series 4	+\$52
Price Category (Nemschoff) Series 5	+\$100
Price Category (Nemschoff) Series 6	+\$159
Price Category (Nemschoff) Series 7	+\$220
Price Category (Nemschoff) Series 8	+\$291

Nemschoff® Pristo® Recliners

Index by Product Name

Nemschoff® Recliners	
Pristo® Plus Recliner, 37.5" Wide	page(s) 12
Pristo® Recliner with Urethane Arm Caps, 34.5" Wide	5
Pristo® Recliner with Urethane Arm Caps with Fold Down Arm RSF, 34.5" Wide	9

Index: Product Name



Index by Product Number



PRCL-	Pristo® Plus Recliner, 37.5" Wide	page(s) 12
PRTT-	Pristo® Recliner with Urethane Arm Caps, 34.5" Wide	5
PRTT-	Pristo® Recliner with Urethane Arm Caps with Fold Down Arm RSF, 34.5" Wide	9



20-Day or Less/Assigned Lead-Time Order Information

20-Day or Less and Assigned Lead-Time Programs

20-day or less and assigned lead-time products are designed for established Herman Miller dealers with pre-approved credit.

Products are distributed from multiple manufacturing facilities across the United States. All products and options not designated by an Assigned Lead-Time icon  will ship in 20 business days or less after being acknowledged by Herman Miller. Products and options designated by an  are on the assigned lead-time program and will ship in 20 days, less than 20 days, or more than 20 days from order acknowledgement.

Ordering Procedure

Please place orders through Order Manager. If this is not available to you, place orders through mail or fax. Verbal purchase orders will not be accepted.

Order Entry fax number for Meridian®

Filing and Storage: (616) 846 9236.

Order Entry fax number for all other products:

(616) 654 3085.

For more information, contact your Customer Care representative at:
(866) 854 3048 ext 3400.

Shipments and Delivery

Per Herman Miller Terms and Conditions.

Changes and Cancellation

Per Herman Miller Terms and Conditions.



Nemschoff® Pristo® Recliners Multiple Fabrics Guide

Multiple fabrics can be selected for application on a single product. Choosing multiple fabrics allows for high-performance fabrics to be used in the specific areas where they're most needed. For example, easy-to-clean, abrasion-resistant polyurethane can be used on the seat and headrest, combined with a softer woven fabric for the back where wear is less of an issue.

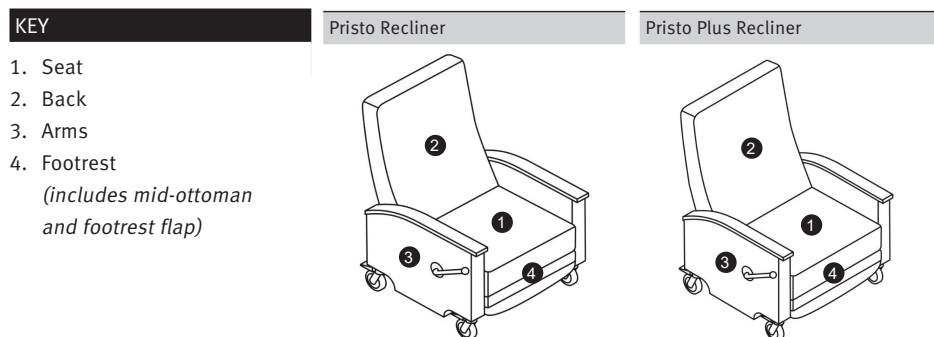
Choosing multiple fabrics also offers aesthetic flexibility. For example, you can create design continuity among multiple pieces by combining colors and patterns to help coordinate them.

All surfaces included in an area must be the same fabric.

Illustrations intended for single seat, multiple seat, and different back height units.

All arms, including intervening when applicable, must be in the same fabric.

All footrests include the mid-ottoman and footrest flap in the same fabric.



For more information about our products and services or to see a list of dealers, please visit us at HermanMiller.com or call (800) 851 1196.

© 2025 Herman Miller, Inc., Zeeland, Michigan

Distribution Rights

Working together since 1956, Herman Miller and Vitra are the authentic sources of designs by Charles and Ray Eames, Alexander Girard, and George Nelson. All the designs shown in this book are protected by law. Herman Miller has obtained all rights to make and sell these designs. Also, Herman Miller holds exclusive worldwide manufacturing and distribution rights for these products with the following exceptions:

Charles and Ray Eames, George Nelson, and Alexander Girard—Worldwide distribution rights for furniture in all areas except Europe and the Middle East. For those areas, please contact Vitra.

Isamu Noguchi—Worldwide distribution rights for the Noguchi Rudder Table. Distribution rights for the Noguchi Table in North America and Central America only. For all other areas, please contact Vitra.

Magis—Exclusive distribution rights in the US and Canada. For all other areas, please contact Magis.

© HermanMiller, 3D Intelligent, 8Z Pellicle, AO, Action Office, Aeron, Aside, Bubble Lamps, Canvas Office Landscape, Caper, Celle, Cosm, Co/Struc, Daisyone, Distil, Eames, Eco-Dematerialized, Embody, Envelop, Ethospace, Exclave, Fine-Tune, FlexFront, Flo, Formcoat, Formwork, Ground Cloth, Intent, Kinemat, Layout Studio, Lino, Live Unframed, Living Office, Maharam, Meridian, Mirra, Motia, Nelson, Pari, Pellicle, Perspectives, Plex, PostureFit, PostureFit SL, Public Office Landscape, Sayl, Setu, Striad, Tu, Ubi, Verus, Wishbone, Y-Tower and Zeph are among the registered trademarks of Herman Miller, Inc., and its owned subsidiaries.

™ About Face, AireWeave, Airia, Ambit, Asari Chair by HermanMiller, Backfit, Bubbletack, Burdick Group, Butterfly Back, Canvas Vista, Cellular Suspension, Commend, Compass, Connect, DOT, Duracare, Durawrap, EnhancedAccess, Everywhere, Flex-Edge, Flute, Harmonic, Headway, Herman Miller Select, Hopsak 2, Iota, Keyless Entry, Latitude, Logic Mini, Logic Power Access Solutions, Lyris, Lyris 2, Made-to-Measure Storage, Mora, Multiscrim, Nevi, OE1, OE1 Workspace Collection, Overlay, Pixelated Support, Pronta, Renew, Sense, Soft Pad, Stackable, Stackable Storage, Swoop, Thrive, Tone, TriFlex, Twist and Wireframe are among the trademarks of Herman Miller, Inc., and its owned subsidiaries.

SM Herman Miller Options is among the service marks of Herman Miller, Inc.

AAP™ is a trademark of Extron Electronics.

Alexander Girard® is a registered trademark of The Alexander Girard Estate.

Chemsur® is a registered trademark of Wilsonart International.

Corian® is a registered trademark of E. I. du Pont de Nemours and Company Corporation.

Crypton® is a registered trademark of Crypton, Inc.

DACRON® is a registered trademark of INVISTA S.a r.l.

Danzer® is a registered trademark of Danzer Holding AG.

Decora® is a registered trademark of Leviton Manufacturing Co., Inc.

Edelman® Leather is a registered trademark of Edelman Leather, Inc.

Extron® is a registered trademark of RGB Systems, Inc.

FENIX NTM® is a registered trademark of Arpa Industriale S.p.A.

FLEXNET™ is a trademark of Milliken & Company.

Floor Saver Glide® is a registered trademark of Carpin Manufacturing, Inc.

Forest Stewardship Council® is a registered trademark of the Forest Stewardship Council A.C. (FSC). We are FSC® certified (FSC® C102895).

FSC® is a registered trademark of the Forest Stewardship Council A.C. (FSC).

Geiger® is a registered trademark, and Bumper™, Saiba™, and Ward Bennett™ are trademarks, of Geiger International.

Hang-It-All® is a registered trademark of Lucia Eames Demetrios, d.b.a. Eames Office.

Holophane® is a registered trademark of Holophane.

Ingeo™ is a trademark of Cargill Dow LLC.

iPad® and Mac mini® are registered trademarks of Apple Inc.

Leviton® is a registered trademark of Leviton Manufacturing Co., Inc.

LifeSize® is a registered trademark of LifeSize Communications, Inc.

Lisocore® is a registered trademark of Pyrus Panels GmbH.

Logitech G® is a registered trademark of Logitech International S.A.

Magis®, Bombo®, and Me Too® are registered trademarks of Magis S.p.A.

MicrobeCare™ is a trademark of Parasol Medical LLC.

Microsoft® and Natural® Keyboard are registered trademarks of Microsoft Corporation.

Noguchi® and the Noguchi table configuration (trade dress) are registered trademarks, and Rudder Table™ is a trademark, of The Isamu Noguchi Foundation and Garden Museum.

Place Textiles® is a registered trademark of Place Textiles.

Sunbrella® is a registered trademark of Glen Raven, Inc.

SuperSeat™ is a trademark of Dahti Seating, a division of ITW.

Valor™ is among the trademarks owned by Nemschoff, Inc.