



Prices effective February 3, 2025

Published February 2025

# NaughtOne®

<b>Introduction</b>	<b>page 2</b>
<b>NaughtOne® Seating</b>	<b>3</b>
Chairs	5
Lounge Chairs	22
Sofa	51
Stools	93
Booths	114
<b>NaughtOne Tables</b>	<b>121</b>
Coffee Tables	123
Meeting Tables	142
Desks	269
<b>NaughtOne Storage</b>	<b>271</b>
<b>NaughtOne Accessories</b>	<b>277</b>
<b>Indices</b>	<b>291</b>
By Name	291
By Number	293
<b>Appendix-Textiles</b>	

# Introduction

## A Note on the Organization of This Book

There are a few signals that will help you understand the organization of this book. Once you know them, you should be able to find your way around easily.

### Like a newspaper, this book is formatted with columns of text and illustrations that run vertically.

Information wraps from one column to the next and continues for as many pages as it needs to.

### Black bars are clues.

A black bar at the top of a page signals the start of information about a product.

This information is divided into two sections, each signaled by a black bar. Product Information includes a description, additional notes, and dimensional drawings. Specification Information, which always begins at the top of a column, includes a series of steps. Each step represents a decision you need to make in order to complete your product number. Steps must be followed sequentially. The number of pages needed to complete information on a product varies; some will be complete in one page; others may fill three or four pages. Just continue going through the steps until you run into the next product, signaled by the black bar at the top of the page.

Black tabs running along the outside edge of the page help you locate what section you are in or what section you want to go to. You can thumb forwards or backwards to find a section; tabs and text appear on both sides of the page.

The additional pages in the back of the book include the appendices and indices. They are signaled by a long black bar running along the outside edge of the page.

### The index is presented two ways.

The first index is in alphabetical order by product name. It can be helpful if you are new to the products and numbering scheme or if you are looking for a type of product, such as work chair or round table.

The second index is by product number. It lists, in alphanumeric order, the base product number, typically a five-digit number.

## General Information

This book is effective February 3, 2025, subject to change without notice. Products may be purchased from authorized Herman Miller dealers who will quote prices upon request. For more information about our products and services or to see a list of dealers, visit [www.HermanMiller.com](http://www.HermanMiller.com).


All prices are list prices. Additional services, such as planning services, design, storage, and installation, are not included and must be added to these prices when the additional services are requested.


Illustrations, specifications, and prices are based on the latest information at the time of publication. The right is reserved to make changes at any time without notice in prices, fabrics, finishes, materials, specifications, and models, and also to discontinue models and finishes.

Dimensions shown in the drawings are engineering drawing dimensions rounded up to the nearest  $\frac{1}{8}$ ". Product is shipped set up or knocked down. Products that include "Shipped knocked down" in the description require some assembly. If this statement does not appear in the description, the product is shipped assembled.

Service problems are normally handled by a Herman Miller authorized dealer. Where this cannot be accomplished on a local level, service problems should be referred to the Customer Care Representative for your region, Herman Miller, Inc., Zeeland, Michigan 49464.

### 20-Day or Less/Assigned Lead-Time Shipments

All products and options in this price book not designated by an Assigned Program icon  will ship in **20 business days or less** after being acknowledged by Herman Miller.

Products and options designated by an  are on the assigned lead-time program and may ship in 20 days, less than 20 days, or more than 20 days from order acknowledgement.

**Chairs**

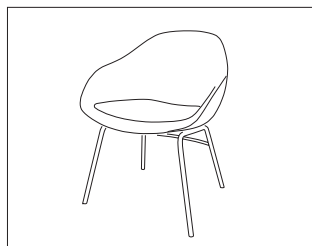
**Lounge Chairs**

**Sofa**

**Stools**

**Booths**





**Product Information**

**Description**

This chair is upholstered over an engineered foam core with a steel frame for base attachment. Bases are available in steel with polyester powder coat, polished, or bright chrome finishes, or molded plywood legs.

**Notes**

Nominal dimensions rounded to the nearest 1/2 inch.

Type	Width	Depth	Height	Seat Ht.
1	24 1/2	23 1/2	30 1/2	18
2	24 1/2	23 1/2	30 1/2	18
5	24 1/2	23 1/2	30 1/2	18
3	24 1/2	23 1/2	30 1/2	18
6	24 1/2	23 1/2	30 1/2	18
7L	25	23 1/2	31-35	19 1/2-23 1/2
7N	25	23 1/2	30 1/2	18

Customer's Own Material (COM) requires the following yardage:

Type	Total	Shell	Seat Pad
1-7	2 1/4	2	1

Customer's Own Leather (COL) requires the following square feet:

Type	Total	Shell	Seat Pad
1-7	41	36	18

**Specification Information**

**Step 1.**

**NOALN1**

**Step 2. Base Type**

- 1 four leg
- 2 sled base
- 5 cantilever base
- 3 wood legs
- 6 4-star swivel base
- 7 5-star swivel base

**Step 3. Lift Mechanism Option**

*For 5-star swivel base (7)*

- L lift mechanism
- N no lift mechanism

*For four leg (1), sled base (2), cantilever base (5), wood legs (3), or 4-star swivel base (6), skip this step.*

no selection

**Step 4. Upholstery**

- 1 single fabric
- 2 multiple fabric

**Prices for Steps 1-4.**

	1	2
<b>NOALN1 1</b>	\$1976	1976
<b>2</b>	\$1987	1987
<b>5</b>	\$2019	2019
<b>3</b>	\$2426	2426
<b>6</b>	\$2237	2237
<b>7 L</b>	\$2287	2287
<b>N</b>	\$2287	2287

Step 5. Base Finish

*For four leg (1)*

<b>CHR</b>	chrome	+\$56
<b>R00</b>	black RAL 9005	+\$0
<b>R02</b>	stone grey RAL 7030	+\$140
<b>R03</b>	silver - RAL 9006	+\$140
<b>R08</b>	traffic orange RAL 2009	+\$140
<b>R13</b>	pastel blue RAL 5024	+\$140
<b>R14</b>	signal white RAL9003	+\$0
<b>R23</b>	black grey RAL 7021	+\$140
<b>R24</b>	leaf green RAL 6002	+\$140
<b>R25</b>	pale green RAL 6021	+\$140
<b>R26</b>	RAL 3020 red	+\$140
<b>R28</b>	light pink RAL 3015	+\$140
<b>R29</b>	dark blue RAL 5001	+\$140
<b>R30</b>	oyster RAL 1013 <input type="checkbox"/>	+\$140
<b>R38</b>	broom yellow RAL 1032 <input type="checkbox"/>	+\$140
<b>R39</b>	moss green RAL 6005 <input type="checkbox"/>	+\$140
<b>R40</b>	steel blue RAL 5011 <input type="checkbox"/>	+\$140

*For sled base (2) or cantilever base (5)*

<b>CHR</b>	chrome	+\$86
<b>R00</b>	black RAL 9005	+\$0
<b>R02</b>	stone grey RAL 7030	+\$140
<b>R03</b>	silver - RAL 9006	+\$140
<b>R26</b>	RAL 3020 red	+\$140
<b>R08</b>	traffic orange RAL 2009	+\$140
<b>R13</b>	pastel blue RAL 5024	+\$140
<b>R14</b>	signal white RAL9003	+\$0
<b>R23</b>	black grey RAL 7021	+\$140
<b>R24</b>	leaf green RAL 6002	+\$140
<b>R25</b>	pale green RAL 6021	+\$140
<b>R28</b>	light pink RAL 3015	+\$140
<b>R29</b>	dark blue RAL 5001	+\$140
<b>R30</b>	oyster RAL 1013 <input type="checkbox"/>	+\$140
<b>R38</b>	broom yellow RAL 1032 <input type="checkbox"/>	+\$140
<b>R39</b>	moss green RAL 6005 <input type="checkbox"/>	+\$140
<b>R40</b>	steel blue RAL 5011 <input type="checkbox"/>	+\$140

*For 4-star swivel base (6)*

<b>POL</b>	polished <input type="checkbox"/>	+\$113
<b>R00</b>	black RAL 9005 <input type="checkbox"/>	+\$0
<b>R02</b>	stone grey RAL 7030 <input type="checkbox"/>	+\$140
<b>R03</b>	silver - RAL 9006 <input type="checkbox"/>	+\$140
<b>R08</b>	traffic orange RAL 2009 <input type="checkbox"/>	+\$140
<b>R13</b>	pastel blue RAL 5024 <input type="checkbox"/>	+\$140
<b>R14</b>	signal white RAL9003 <input type="checkbox"/>	+\$0
<b>R23</b>	black grey RAL 7021 <input type="checkbox"/>	+\$140
<b>R24</b>	leaf green RAL 6002 <input type="checkbox"/>	+\$140
<b>R25</b>	pale green RAL 6021 <input type="checkbox"/>	+\$140
<b>R26</b>	RAL 3020 red <input type="checkbox"/>	+\$140
<b>R28</b>	light pink RAL 3015 <input type="checkbox"/>	+\$140
<b>R29</b>	dark blue RAL 5001 <input type="checkbox"/>	+\$140
<b>R30</b>	oyster RAL 1013 <input type="checkbox"/>	+\$140
<b>R38</b>	broom yellow RAL 1032 <input type="checkbox"/>	+\$140
<b>R39</b>	moss green RAL 6005 <input type="checkbox"/>	+\$140
<b>R40</b>	steel blue RAL 5011 <input type="checkbox"/>	+\$140

*For 5-star swivel base (7)*

<b>POL</b>	polished <input type="checkbox"/>	+\$115
<b>R00</b>	black RAL 9005 <input type="checkbox"/>	+\$0
<b>R02</b>	stone grey RAL 7030 <input type="checkbox"/>	+\$140
<b>R03</b>	silver - RAL 9006 <input type="checkbox"/>	+\$140
<b>R08</b>	traffic orange RAL 2009 <input type="checkbox"/>	+\$140
<b>R13</b>	pastel blue RAL 5024 <input type="checkbox"/>	+\$140
<b>R14</b>	signal white RAL9003 <input type="checkbox"/>	+\$0
<b>R23</b>	black grey RAL 7021 <input type="checkbox"/>	+\$140
<b>R24</b>	leaf green RAL 6002 <input type="checkbox"/>	+\$140
<b>R25</b>	pale green RAL 6021 <input type="checkbox"/>	+\$140
<b>R28</b>	light pink RAL 3015 <input type="checkbox"/>	+\$140
<b>R29</b>	dark blue RAL 5001 <input type="checkbox"/>	+\$140
<b>R30</b>	oyster RAL 1013 <input type="checkbox"/>	+\$140
<b>R26</b>	RAL 3020 red <input type="checkbox"/>	+\$140
<b>R38</b>	broom yellow RAL 1032 <input type="checkbox"/>	+\$140
<b>R39</b>	moss green RAL 6005 <input type="checkbox"/>	+\$140
<b>R40</b>	steel blue RAL 5011 <input type="checkbox"/>	+\$140

*For wood legs (3)*

<b>OAK</b>	oak	+\$0
<b>WAL</b>	walnut <input type="checkbox"/>	+\$0

**Step 6. Fabric**

*For four leg (1) with single fabric (1)*

Price Category (NaughtOne) 0 <input type="checkbox"/>	-\$130
Price Category (NaughtOne) 1	+\$0
Price Category (NaughtOne) 2	+\$59
Price Category (NaughtOne) 3	+\$123
Price Category (NaughtOne) 4	+\$187
Price Category (NaughtOne) 5	+\$312
Price Category (NaughtOne) 6	+\$476
Price Category (NaughtOne) 7	+\$642

*For cantilever base (5) with single fabric (1)*

Price Category (NaughtOne) 0 <input type="checkbox"/>	-\$122
Price Category (NaughtOne) 1	+\$0
Price Category (NaughtOne) 2	+\$61
Price Category (NaughtOne) 3	+\$129
Price Category (NaughtOne) 4	+\$179
Price Category (NaughtOne) 5	+\$318
Price Category (NaughtOne) 6	+\$440
Price Category (NaughtOne) 7	+\$563

*For sled base (2) with single fabric (1)*

Price Category (NaughtOne) 0 <input type="checkbox"/>	-\$113
Price Category (NaughtOne) 1	+\$0
Price Category (NaughtOne) 2	+\$64
Price Category (NaughtOne) 3	+\$129
Price Category (NaughtOne) 4	+\$188
Price Category (NaughtOne) 5	+\$318
Price Category (NaughtOne) 6	+\$441
Price Category (NaughtOne) 7	+\$565

*For wood legs (3) with single fabric (1)*

Price Category (NaughtOne) 0 <input type="checkbox"/>	-\$113
Price Category (NaughtOne) 1	+\$0
Price Category (NaughtOne) 2	+\$66
Price Category (NaughtOne) 3	+\$120
Price Category (NaughtOne) 4	+\$179
Price Category (NaughtOne) 5	+\$293
Price Category (NaughtOne) 6	+\$401
Price Category (NaughtOne) 7	+\$510

*For 4-star swivel base (6) with single fabric (1)*

Price Category (NaughtOne) 0 <input type="checkbox"/>	+\$0
Price Category (NaughtOne) 1	+\$0
Price Category (NaughtOne) 2	+\$68
Price Category (NaughtOne) 3	+\$134
Price Category (NaughtOne) 4	+\$200
Price Category (NaughtOne) 5	+\$335
Price Category (NaughtOne) 6	+\$469
Price Category (NaughtOne) 7	+\$603

*For 5-star swivel base (7) with single fabric (1)*

Price Category (NaughtOne) 0 <input type="checkbox"/>	+\$0
Price Category (NaughtOne) 1	+\$0
Price Category (NaughtOne) 2	+\$67
Price Category (NaughtOne) 3	+\$133
Price Category (NaughtOne) 4	+\$201
Price Category (NaughtOne) 5	+\$334
Price Category (NaughtOne) 6	+\$468
Price Category (NaughtOne) 7	+\$602
Price Category (NaughtOne) 9	+\$869

**Step 7. Shell Band Fabric**

*For four leg (1) with multiple fabric (2)*

Price Category (NaughtOne) 0 <input type="checkbox"/>	-\$78
Price Category (NaughtOne) 1	+\$0
Price Category (NaughtOne) 2	+\$35
Price Category (NaughtOne) 3	+\$74
Price Category (NaughtOne) 4	+\$112
Price Category (NaughtOne) 5	+\$186
Price Category (NaughtOne) 6	+\$286

*For sled base (2) with multiple fabric (2)*

Price Category (NaughtOne) 0 <input type="checkbox"/>	-\$68
Price Category (NaughtOne) 1	+\$0
Price Category (NaughtOne) 2	+\$38
Price Category (NaughtOne) 3	+\$78
Price Category (NaughtOne) 4	+\$113
Price Category (NaughtOne) 5	+\$189
Price Category (NaughtOne) 6	+\$265

<i>For cantilever base (5) with multiple fabric (2)</i>	
Price Category (NaughtOne) 0 <span style="border: 1px solid black; padding: 0 2px;">A</span>	-\$73
Price Category (NaughtOne) 1	+\$0
Price Category (NaughtOne) 2	+\$36
Price Category (NaughtOne) 3	+\$77
Price Category (NaughtOne) 4	+\$107
Price Category (NaughtOne) 5	+\$189
Price Category (NaughtOne) 6	+\$264

<i>For wood legs (3) with multiple fabric (2)</i>	
Price Category (NaughtOne) 0 <span style="border: 1px solid black; padding: 0 2px;">A</span>	-\$68
Price Category (NaughtOne) 1	+\$0
Price Category (NaughtOne) 2	+\$38
Price Category (NaughtOne) 3	+\$73
Price Category (NaughtOne) 4	+\$107
Price Category (NaughtOne) 5	+\$177
Price Category (NaughtOne) 6	+\$241

<i>For 4-star swivel base (6) with multiple fabric (2)</i>	
Price Category (NaughtOne) 0 <span style="border: 1px solid black; padding: 0 2px;">A</span>	+\$0
Price Category (NaughtOne) 1	+\$0
Price Category (NaughtOne) 2	+\$41
Price Category (NaughtOne) 3	+\$81
Price Category (NaughtOne) 4	+\$122
Price Category (NaughtOne) 5	+\$200
Price Category (NaughtOne) 6	+\$282

<i>For 5-star swivel base (7) with multiple fabric (2)</i>	
Price Category (NaughtOne) 0 <span style="border: 1px solid black; padding: 0 2px;">A</span>	+\$0
Price Category (NaughtOne) 1	+\$0
Price Category (NaughtOne) 2	+\$40
Price Category (NaughtOne) 3	+\$81
Price Category (NaughtOne) 4	+\$122
Price Category (NaughtOne) 5	+\$201
Price Category (NaughtOne) 6	+\$281

Step 8. Seat Fabric

<i>For four leg (1) with multiple fabric (2)</i>	
Price Category (NaughtOne) 0 <span style="border: 1px solid black; padding: 0 2px;">A</span>	-\$28
Price Category (NaughtOne) 1	+\$50
Price Category (NaughtOne) 2	+\$85
Price Category (NaughtOne) 3	+\$129
Price Category (NaughtOne) 4	+\$165
Price Category (NaughtOne) 5	+\$242
Price Category (NaughtOne) 6	+\$336
Price Category (NaughtOne) 7	+\$430

<i>For cantilever base (5) with multiple fabric (2)</i>	
Price Category (NaughtOne) 0 <span style="border: 1px solid black; padding: 0 2px;">A</span>	-\$25
Price Category (NaughtOne) 1	+\$50
Price Category (NaughtOne) 2	+\$86
Price Category (NaughtOne) 3	+\$131
Price Category (NaughtOne) 4	+\$162
Price Category (NaughtOne) 5	+\$245
Price Category (NaughtOne) 6	+\$321
Price Category (NaughtOne) 7	+\$397

<i>For sled base (2) with multiple fabric (2)</i>	
Price Category (NaughtOne) 0 <span style="border: 1px solid black; padding: 0 2px;">A</span>	-\$22
Price Category (NaughtOne) 1	+\$50
Price Category (NaughtOne) 2	+\$87
Price Category (NaughtOne) 3	+\$131
Price Category (NaughtOne) 4	+\$165
Price Category (NaughtOne) 5	+\$245
Price Category (NaughtOne) 6	+\$321
Price Category (NaughtOne) 7	+\$398

<i>For wood legs (3) with multiple fabric (2)</i>	
Price Category (NaughtOne) 0 <span style="border: 1px solid black; padding: 0 2px;">A</span>	-\$22
Price Category (NaughtOne) 1	+\$50
Price Category (NaughtOne) 2	+\$88
Price Category (NaughtOne) 3	+\$127
Price Category (NaughtOne) 4	+\$162
Price Category (NaughtOne) 5	+\$162
Price Category (NaughtOne) 6	+\$233
Price Category (NaughtOne) 7	+\$306

<i>For 4-star swivel base (6) with multiple fabric (2)</i>	
Price Category (NaughtOne) 0 <span style="border: 1px solid black; padding: 0 2px;">A</span>	+\$24
Price Category (NaughtOne) 1	+\$50
Price Category (NaughtOne) 2	+\$88
Price Category (NaughtOne) 3	+\$133
Price Category (NaughtOne) 4	+\$171
Price Category (NaughtOne) 5	+\$252
Price Category (NaughtOne) 6	+\$333
Price Category (NaughtOne) 7	+\$414
Price Category (NaughtOne) 9	+\$575



---

*For 5-star swivel base (7) with multiple fabric (2)*

---

Price Category (NaughtOne) 0	<input type="checkbox"/> A	+\$24
Price Category (NaughtOne) 1		+\$50
Price Category (NaughtOne) 2		+\$88
Price Category (NaughtOne) 3		+\$132
Price Category (NaughtOne) 4		+\$170
Price Category (NaughtOne) 6		+\$250
Price Category (NaughtOne) 7		+\$333
Price Category (NaughtOne) 9		+\$575
Price Category (NaughtOne) 5		+\$252

---

Step 9. Glide Option

---

*For 4-star swivel base (6)*

---

<b>PG</b>	plastic glides	<input type="checkbox"/> A	+\$0
<b>FG</b>	felt glides	<input type="checkbox"/> A	+\$24

*For four leg (1), sled base (2), or wood legs (3)*

---

<b>FG</b>	felt glides	<input type="checkbox"/> A	+\$24
<b>PG</b>	plastic glides	<input type="checkbox"/> A	+\$0

---

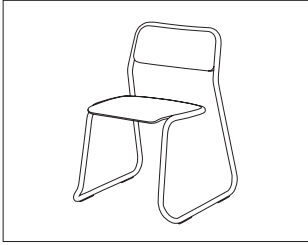
Step 10. Caster Option

---

*For 5-star swivel base (7)*

---

<b>HC</b>	hard casters	<input type="checkbox"/> A	+\$0
<b>SC</b>	soft casters	<input type="checkbox"/> A	+\$63



NaughtOne® Chairs

**Product Information**

**Description**

This chair has a 1-piece steel tube frame with a hard-wearing polyester powder coated finish. Seat and back are plywood veneered in oak or walnut with a matte lacquer finish. Chair is stackable on the floor up to 8 high and on a trolley or cart up to 14 high.

**Notes**

W22" D21½" H29½". Seat height 17½".

Nominal dimensions rounded to nearest ½ inch.

**Specification Information**

**Step 1.**

**NOBNN**

**Step 2. Type**

**1** chair

**Prices for Steps 1-2.**

**NOBNN 1** \$868

**Step 3. Seat/Back Type**

**OAK** oak veneer plywood  +\$0

**WLN** walnut veneer plywood  +\$0

**Step 4. Base Finish**

**R00** black RAL 9005 +\$0

**R02** stone grey RAL 7030 +\$140

**R03** silver - RAL 9006 +\$140

**R26** RAL 3020 red +\$140

**R08** traffic orange RAL 2009 +\$140

**R13** pastel blue RAL 5024 +\$140

**R14** signal white RAL9003 +\$0

**R23** black grey RAL 7021 +\$140

**R24** leaf green RAL 6002 +\$140

**R25** pale green RAL 6021 +\$140

**R28** light pink RAL 3015 +\$140

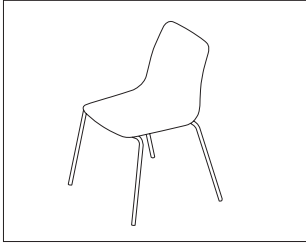
**R29** dark blue RAL 5001 +\$140

**R30** oyster RAL 1013  +\$140

**R38** broom yellow RAL 1032  +\$140

**R39** moss green RAL 6005  +\$140

**R40** steel blue RAL 5011  +\$140



**Product Information**

**Description**

This chair is molded in the UK using 100% recyclable glass reinforced polypropylene and is available with or without an upholstered seat pad. Bases options are tubular or solid bar steel finished with powder coat or chrome, dowel base, 4-star swivel base with glides, or 5-star swivel base with casters. 5-star base comes with or without lift mechanism. Chair is available in several standard colors. 4-leg and sled base chairs are stackable on the floor up to 10 high or up to 5 high with seat pads, and on a trolley or cart up to 20 high or up to 10 high with seat pads.

**Notes**

Nominal dimensions rounded to the nearest 1/2 inch.

Type	Width	Depth	Height	Seat Ht.
100	20	21	31	17½
200	20½	21	31	17½
600	19½	21	31	17½
601	19½	21	31	17½
700L	25	21	31-35	18½-22½
700N	25	21	31	17½
701L	25	21	31-35	18½-22½
701N	25	21	31	17½
950	20	21	31½	17

Seat pad accepts Customer's Own Material (COM)/Customer's Own Leather (COL). COM requires 1 yard; COL requires 16¼ square feet. See Order Information in appendices.

**Specification Information**

**Step 1.**

**NOPLN**

**Step 2. Base/Arm Type**

- 100** 4 leg - no arms
- 200** sled base - no arms
- 600** 4-star swivel base - no arms
- 601** 4-star swivel base - with arms
- 700** 5-star swivel base - no arms
- 701** 5-star swivel base - with arms
- 950** dowel base

**Step 3. Lift Mechanism Option**

*For 5-star swivel base - no arms (700) or 5-star swivel base - with arms (701)*

- L** lift mechanism
- N** no lift mechanism

*For 4 leg - no arms (100), sled base - no arms (200), 4-star swivel base - no arms (600), 4-star swivel base - with arms (601), or dowel base (950), skip this step.*

no selection

**Step 4. Seat Pad**

- NP** no seat pad
- SP** seat pad

**Prices for Steps 1-4.**

	<b>NP</b>	<b>SP</b>
<b>NOPLN 100</b>	\$463	463
<b>200</b>	\$503	503
<b>600</b>	\$792	792
<b>601</b>	\$1011	1011
<b>700 L</b>	\$842	842
<b>N</b>	\$842	842
<b>701 L</b>	\$1063	1063
<b>N</b>	\$1063	1063
<b>950</b>	\$705	705

**Step 5. Base Finish**

*For 4 leg - no arms (100) or sled base - no arms (200)*

<b>CHR</b>	chrome <input type="checkbox"/>	+\$58
<b>R00</b>	black RAL 9005 <input type="checkbox"/>	+\$0
<b>R02</b>	stone grey RAL 7030	+\$0
<b>R03</b>	silver - RAL 9006	+\$0
<b>R08</b>	traffic orange RAL 2009	+\$0
<b>R13</b>	pastel blue RAL 5024	+\$0
<b>R14</b>	signal white RAL9003	+\$0
<b>R23</b>	black grey RAL 7021	+\$0
<b>R24</b>	leaf green RAL 6002	+\$0
<b>R25</b>	pale green RAL 6021	+\$0
<b>R26</b>	RAL 3020 red	+\$0
<b>R28</b>	light pink RAL 3015	+\$0
<b>R29</b>	dark blue RAL 5001	+\$0
<b>R30</b>	oyster RAL 1013 <input type="checkbox"/>	+\$0
<b>R38</b>	broom yellow RAL 1032 <input type="checkbox"/>	+\$0
<b>R39</b>	moss green RAL 6005 <input type="checkbox"/>	+\$0
<b>R40</b>	steel blue RAL 5011 <input type="checkbox"/>	+\$0

*For 4-star swivel base - no arms (600) or 5-star swivel base - no arms (700)*

<b>POL</b>	polished <input type="checkbox"/>	+\$112
<b>R00</b>	jet black RAL 9005 <input type="checkbox"/>	+\$0
<b>R02</b>	stone grey RAL 7030 <input type="checkbox"/>	+\$136
<b>R03</b>	silver - RAL 9006 <input type="checkbox"/>	+\$136
<b>R08</b>	traffic orange RAL 2009 <input type="checkbox"/>	+\$136
<b>R13</b>	pastel blue RAL 5024 <input type="checkbox"/>	+\$136
<b>R14</b>	signal white RAL9003 <input type="checkbox"/>	+\$0
<b>R23</b>	black grey RAL 7021 <input type="checkbox"/>	+\$136
<b>R24</b>	leaf green RAL 6002 <input type="checkbox"/>	+\$136
<b>R25</b>	pale green RAL 6021 <input type="checkbox"/>	+\$136
<b>R26</b>	RAL 3020 red <input type="checkbox"/>	+\$136
<b>R28</b>	light pink RAL 3015 <input type="checkbox"/>	+\$136
<b>R29</b>	dark blue RAL 5001 <input type="checkbox"/>	+\$136
<b>R30</b>	oyster RAL 1013 <input type="checkbox"/>	+\$136
<b>R38</b>	broom yellow RAL 1032 <input type="checkbox"/>	+\$136
<b>R39</b>	moss green RAL 6005 <input type="checkbox"/>	+\$136
<b>R40</b>	steel blue RAL 5011 <input type="checkbox"/>	+\$136

*For 4-star swivel base - with arms (601) or 5-star swivel base - with arms (701)*

<b>POL</b>	polished <input type="checkbox"/>	+\$261
<b>R00</b>	jet black RAL 9005 <input type="checkbox"/>	+\$0
<b>R02</b>	stone grey RAL 7030 <input type="checkbox"/>	+\$186
<b>R03</b>	silver - RAL 9006 <input type="checkbox"/>	+\$186
<b>R08</b>	traffic orange RAL 2009 <input type="checkbox"/>	+\$186
<b>R13</b>	pastel blue RAL 5024 <input type="checkbox"/>	+\$186
<b>R14</b>	signal white RAL9003 <input type="checkbox"/>	+\$0
<b>R23</b>	black grey RAL 7021 <input type="checkbox"/>	+\$186
<b>R24</b>	leaf green RAL 6002 <input type="checkbox"/>	+\$186
<b>R25</b>	pale green RAL 6021 <input type="checkbox"/>	+\$186
<b>R26</b>	RAL 3020 red <input type="checkbox"/>	+\$186
<b>R28</b>	light pink RAL 3015 <input type="checkbox"/>	+\$186
<b>R29</b>	dark blue RAL 5001 <input type="checkbox"/>	+\$186
<b>R30</b>	oyster RAL 1013 <input type="checkbox"/>	+\$186
<b>R38</b>	broom yellow RAL 1032 <input type="checkbox"/>	+\$186
<b>R39</b>	moss green RAL 6005 <input type="checkbox"/>	+\$186
<b>R40</b>	steel blue RAL 5011 <input type="checkbox"/>	+\$186

*For dowel base (950)*

<b>OAK</b>	oak <input type="checkbox"/>	+\$0
<b>WAL</b>	walnut <input type="checkbox"/>	+\$112

**Step 6. Shell Finish**

<b>R02</b>	stone grey RAL 7030 <input type="checkbox"/>	+\$0
<b>R13</b>	pastel blue RAL 5024 <input type="checkbox"/>	+\$0
<b>R14</b>	signal white RAL9003 <input type="checkbox"/>	+\$0
<b>R23</b>	black grey RAL 7021 <input type="checkbox"/>	+\$0
<b>R25</b>	pale green RAL 6021 <input type="checkbox"/>	+\$0
<b>R26</b>	RAL 3020 red <input type="checkbox"/>	+\$0
<b>R30</b>	oyster RAL 1013 <input type="checkbox"/>	+\$0
<b>R38</b>	broom yellow RAL 1032 <input type="checkbox"/>	+\$0
<b>R39</b>	moss green RAL 6005 <input type="checkbox"/>	+\$0
<b>R40</b>	steel blue RAL 5011 <input type="checkbox"/>	+\$0

**Step 7. Seat Pad Fabric**

*For seat pad (SP)*

Price Category (NaughtOne) 0 <input type="checkbox"/>	+\$218
Price Category (NaughtOne) 1	+\$218
Price Category (NaughtOne) 2	+\$240
Price Category (NaughtOne) 3	+\$260
Price Category (NaughtOne) 4	+\$281
Price Category (NaughtOne) 5	+\$321
Price Category (NaughtOne) 6	+\$362
Price Category (NaughtOne) 7	+\$402
Price Category (NaughtOne) 9	+\$485

Polly Chair *continued*

---

Step 8. Glide Option

---

*For 4 leg - no arms (100), sled base - no arms (200), 4-star swivel base - no arms (600), or 4-star swivel base - with arms (601)*

<b>FG</b>	felt glides <input type="checkbox"/> A	+\$24
<b>PG</b>	plastic glides <input type="checkbox"/> A	+\$0

---

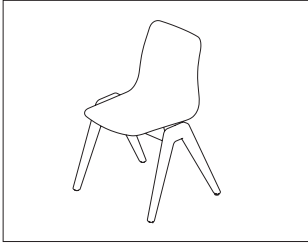
*For dowel base (950)*

<b>PG</b>	plastic glides <input type="checkbox"/> A	+\$0
-----------	---	------

---

*For 5-star swivel base - no arms (700) or 5-star swivel base - with arms (701)*

<b>HC</b>	hard casters <input type="checkbox"/> A	+\$0
<b>SC</b>	soft casters <input type="checkbox"/> A	+\$63



**Product Information**

**Description**

This chair is molded in the UK using 100% recyclable glass reinforced polypropylene. Bases are solid oak or walnut. Chair is available in several standard colors and with or without an upholstered seat pad.

**Notes**

Nominal dimensions rounded to the nearest 1/2 inch.

Type	Width	Depth	Height	Seat Ht.
100	21 1/2	19	32	17 1/2
101	21 1/2	19	32	17 1/2
200	21 1/2	19	32	17 1/2
201	21 1/2	19	32	17 1/2

Seat pad accepts Customer's Own Material (COM)/Customer's Own Leather (COL). COM requires 1 yard; COL requires 16 1/4 square feet. See Order Information in appendices.

**Specification Information**

**Step 1.**

**NOPWN**

**Step 2. Type**

**100** armless - no seat pad

**101** armless - with seat pad

**Prices for Steps 1-2.**

<b>NOPWN 100</b>	\$1375
<b>101</b>	\$1375

**Step 3. Base Finish**

**OAK** oak  +\$0

**WAL** walnut  +\$67

**Step 4. Shell Finish**

**R02** stone grey RAL 7030  +\$0

**R13** pastel blue RAL 5024  +\$0

**R14** signal white RAL9003  +\$0

**R23** black grey RAL 7021  +\$0

**R25** pale green RAL 6021  +\$0

**R26** RAL 3020 red  +\$0

**R30** oyster RAL 1013  +\$0

**R38** broom yellow RAL 1032  +\$0

**R39** moss green RAL 6005  +\$0

**R40** steel blue RAL 5011  +\$0

**Step 5. Seat Pad Fabric**

*For armless - with seat pad (101)*

Price Category (NaughtOne) 0  +\$218

Price Category (NaughtOne) 1 +\$218

Price Category (NaughtOne) 2 +\$240

Price Category (NaughtOne) 3 +\$260

Price Category (NaughtOne) 4 +\$281

Price Category (NaughtOne) 5 +\$321

Price Category (NaughtOne) 6 +\$362

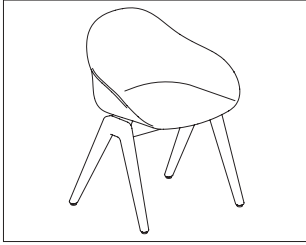
Price Category (NaughtOne) 7 +\$402

Price Category (NaughtOne) 9 +\$485

**Step 6. Glide Option**

**PG** plastic glides  +\$0

**FG** felt glides  +\$23



**Product Information**

**Description**

This chair is molded using 100% recyclable glass reinforced polypropylene. Base is solid oak or walnut. Chair is available in several standard colors and with or without an upholstered seat pad.

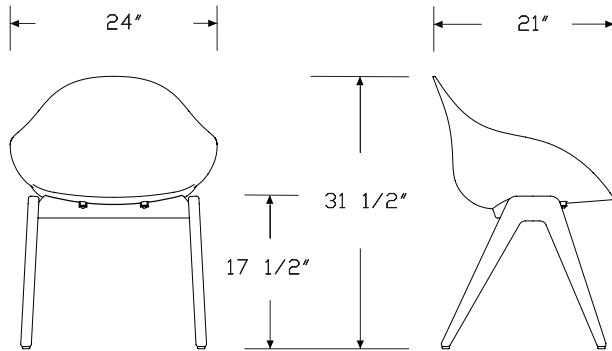
**Notes**

Nominal dimensions rounded to the nearest 1/2 inch.

Type	Width	Depth	Height	Seat Ht.
100	24	21	31 1/2	17 1/2

Seat pad accepts Customer's Own Material (COM)/Customer's Own Leather (COL). COM requires 1 yard; COL requires 16 1/4 square feet.

**Dimensions**



**Specification Information**

**Step 1.**

**NORBW**

**Step 2. Type**

**100** chair

**Step 3. Seat Pad**

**NP** no seat pad

**SP** seat pad

**Prices for Steps 1-3.**

	NP	SP
<b>NORBW 100</b>	\$1400	1400

**Step 4. Base Finish**

**OAK** oak  +\$0

**WAL** walnut  +\$67

**Step 5. Shell Finish**

**R02** stone grey RAL 7030  +\$0

**R13** pastel blue RAL 5024  +\$0

**R14** signal white RAL9003  +\$0

**R23** black grey RAL 7021  +\$0

**R25** pale green RAL 6021  +\$0

**R26** RAL 3020 red  +\$0

**R30** oyster RAL 1013  +\$0

**R38** broom yellow RAL 1032  +\$0

**R39** moss green RAL 6005  +\$0

**R40** steel blue RAL 5011  +\$0

**Step 6. Seat Pad Fabric**

*For seat pad (SP)*

Price Category (NaughtOne) 0  +\$218

Price Category (NaughtOne) 1 +\$218

Price Category (NaughtOne) 2 +\$240

Price Category (NaughtOne) 3 +\$260

Price Category (NaughtOne) 4 +\$281

Price Category (NaughtOne) 5 +\$321

Price Category (NaughtOne) 6 +\$362

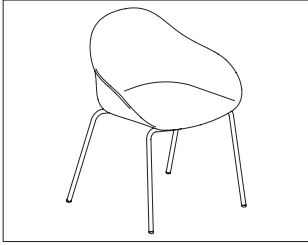
Price Category (NaughtOne) 7 +\$402

Price Category (NaughtOne) 9 +\$484

**Step 7. Glide Option**

**PG** plastic glides  +\$0

**FG** felt glides  +\$24



**Product Information**

**Description**

This chair is molded using 100% recyclable glass reinforced polypropylene. Base options are tubular or solid bar steel finished with powder coat or chrome, 4-star swivel base with glides, or 5-star swivel base with casters. 5-star base comes with or without lift mechanism. Dowel base is available in oak or walnut. Chair is available in several standard colors and with or without an upholstered seat pad.

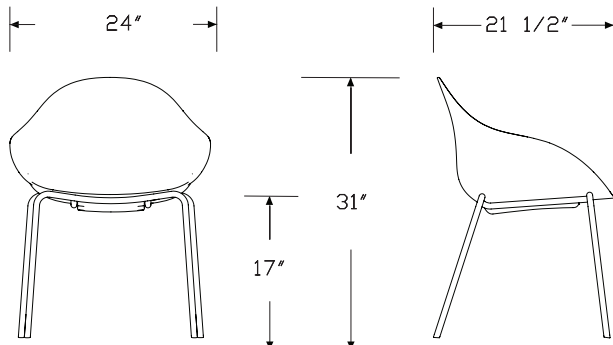
**Notes**

Nominal dimensions rounded to the nearest 1/2 inch.

Type	Width	Depth	Height	Seat Ht.
100	24	21 1/2	31	17
200	24	21	31	17
600	24	21	31	17 1/2
700L	24	25	31	17 1/2
700N	24	25	31 1/2-35	18 1/2-22 1/2
950	24	21	31	17

Seat pad accepts Customer's Own Material (COM)/Customer's Own Leather (COL). COM requires 1 yard; COL requires 16 1/4 square feet.

**Dimensions**



**Specification Information**

**Step 1.**

**NORBY**

**Step 2. Type**

- 100** 4 leg base
- 200** sled base
- 600** 4-star swivel base
- 700** 5-star swivel base
- 950** dowel base

**Step 3. Lift Mechanism Option**

*For 5-star swivel base (700)*

- L** lift mechanism
- N** no lift mechanism

*For 4 leg base (100), sled base (200), 4-star swivel base (600), or dowel base (950), skip this step.*

**Step 4. Seat Pad**

- NP** no seat pad
- SP** seat pad

**Prices for Steps 1-4.**

	NP	SP
<b>NORBY 100</b>	\$485	485
<b>200</b>	\$527	527
<b>600</b>	\$817	817
<b>700 L</b>	\$867	867
<b>N</b>	\$867	867
<b>950</b>	\$733	733



# Ruby Chair *continued*

## Step 5. Base Finish

### For 4 leg base (100) or sled base (200)

<b>R00</b>	RAL 9005 black <input type="checkbox"/>	+\$0
<b>R02</b>	RAL 7030 stone grey <input type="checkbox"/>	+\$0
<b>R03</b>	RAL 9006 silver <input type="checkbox"/>	+\$0
<b>R08</b>	RAL 2009 orange <input type="checkbox"/>	+\$0
<b>R13</b>	RAL 5024 pastel blue <input type="checkbox"/>	+\$0
<b>R14</b>	RAL 9003 white <input type="checkbox"/>	+\$0
<b>R23</b>	RAL 7021 black grey <input type="checkbox"/>	+\$0
<b>R24</b>	RAL 6002 leaf green <input type="checkbox"/>	+\$0
<b>R25</b>	RAL 6021 green <input type="checkbox"/>	+\$0
<b>R26</b>	RAL 3020 red <input type="checkbox"/>	+\$0
<b>R28</b>	RAL 3015 light pink <input type="checkbox"/>	+\$0
<b>R29</b>	RAL 5001 blue <input type="checkbox"/>	+\$0
<b>R30</b>	RAL 1013 oyster <input type="checkbox"/>	+\$0
<b>R38</b>	broom yellow RAL 1032 <input type="checkbox"/>	+\$0
<b>R39</b>	moss green RAL 6005 <input type="checkbox"/>	+\$0
<b>R40</b>	steel blue RAL 5011 <input type="checkbox"/>	+\$0
<b>CHR</b>	chrome <input type="checkbox"/>	+\$60

### For 4-star swivel base (600) or 5-star swivel base (700)

<b>POL</b>	polished <input type="checkbox"/>	+\$115
<b>R00</b>	RAL 9005 black <input type="checkbox"/>	+\$0
<b>R02</b>	RAL 7030 stone grey <input type="checkbox"/>	+\$140
<b>R03</b>	RAL 9006 silver <input type="checkbox"/>	+\$140
<b>R08</b>	RAL 2009 orange <input type="checkbox"/>	+\$140
<b>R13</b>	RAL 5024 pastel blue <input type="checkbox"/>	+\$140
<b>R14</b>	RAL 9003 white <input type="checkbox"/>	+\$0
<b>R23</b>	RAL 7021 black grey <input type="checkbox"/>	+\$140
<b>R24</b>	RAL 6002 leaf green <input type="checkbox"/>	+\$140
<b>R25</b>	RAL 6021 green <input type="checkbox"/>	+\$140
<b>R26</b>	RAL 3020 red <input type="checkbox"/>	+\$140
<b>R28</b>	RAL 3015 light pink <input type="checkbox"/>	+\$140
<b>R29</b>	RAL 5001 blue <input type="checkbox"/>	+\$140
<b>R30</b>	RAL 1013 oyster <input type="checkbox"/>	+\$140
<b>R38</b>	broom yellow RAL 1032 <input type="checkbox"/>	+\$140
<b>R39</b>	moss green RAL 6005 <input type="checkbox"/>	+\$140
<b>R40</b>	steel blue RAL 5011 <input type="checkbox"/>	+\$140

### For dowel base (950)

<b>OAK</b>	oak <input type="checkbox"/>	+\$0
<b>WAL</b>	walnut <input type="checkbox"/>	+\$112

## Step 6. Shell Finish

<b>R02</b>	stone grey RAL 7030 <input type="checkbox"/>	+\$0
<b>R13</b>	pastel blue RAL 5024 <input type="checkbox"/>	+\$0
<b>R14</b>	signal white RAL9003 <input type="checkbox"/>	+\$0
<b>R23</b>	black grey RAL 7021 <input type="checkbox"/>	+\$0
<b>R25</b>	pale green RAL 6021 <input type="checkbox"/>	+\$0
<b>R26</b>	RAL 3020 red <input type="checkbox"/>	+\$0
<b>R30</b>	oyster RAL 1013 <input type="checkbox"/>	+\$0
<b>R38</b>	broom yellow RAL 1032 <input type="checkbox"/>	+\$0
<b>R39</b>	moss green RAL 6005 <input type="checkbox"/>	+\$0
<b>R40</b>	steel blue RAL 5011 <input type="checkbox"/>	+\$0

## Step 7. Seat Pad Fabric

### For seat pad (SP)

Price Category (NaughtOne) 0 <input type="checkbox"/>	+\$218
Price Category (NaughtOne) 1	+\$218
Price Category (NaughtOne) 2	+\$240
Price Category (NaughtOne) 3	+\$260
Price Category (NaughtOne) 4	+\$281
Price Category (NaughtOne) 5	+\$321
Price Category (NaughtOne) 6	+\$362
Price Category (NaughtOne) 7	+\$402
Price Category (NaughtOne) 9	+\$484

## Step 8. Glide Option

### For 4 leg base (100), sled base (200), or 4-star swivel base (600)

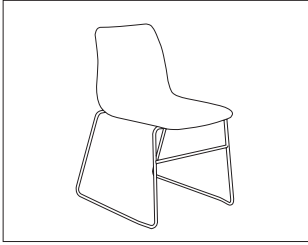
<b>FG</b>	felt glides <input type="checkbox"/>	+\$24
<b>PG</b>	plastic glides <input type="checkbox"/>	+\$0

### For dowel base (950)

<b>PG</b>	plastic glides <input type="checkbox"/>	+\$0
-----------	---	------

### For 5-star swivel base (700)

<b>HC</b>	hard casters <input type="checkbox"/>	+\$61
<b>SC</b>	soft casters <input type="checkbox"/>	+\$0



NaughtOne® Chairs

**Product Information**

**Description**

This upholstered chair has a bucketed seat of molded polypropylene covered with CMHR foam. Wire and 4-leg bases are mild steel finished in polyester powder coat or chrome. Base options include a dowel base, a 4-star swivel base with glides and a 5-star swivel base with casters. Sled chair is stackable on the floor up to 6 high and on a trolley or cart up to 10 high.

**Notes**

Nominal dimensions rounded to the nearest 1/2 inch.

Type	Width	Depth	Height	Seat Ht.
100	20 1/2	22	32	17 1/2
150	22	21 1/2	32	17 1/2
600	19 1/2	21	32	17 1/2
601	19 1/2	21	32	17 1/2
700L	25	21	32 1/2-36 1/2	18 1/2-22 1/2
700N	25	21	32	17 1/2
701L	25	21	32 1/2-36 1/2	18 1/2-22 1/2
701N	25	21	32	17 1/2
950	20	22	32	17 1/2

Customer's Own Material (COM) requires the following yardage:

Type	Total
100	1
150	1
600	1
601	1
700	1
701	1
950	1

Customer's Own Leather (COL) requires the following square feet:

Type	Total
100	17
150	17
600	17
601	17
700	17
701	17
950	17

**Specification Information**

**Step 1.**

**NOVVN**

**Step 2. Base/Arm Type**

- 100** chair - no arms
- 150** 4-leg base - no arms
- 600** 4-star swivel base - no arms
- 601** 4-star swivel base - with arms
- 700** 5-star swivel base - no arms
- 701** 5-star swivel base - with arms
- 950** dowel base

**Step 3. Lift Mechanism Option**

*For 5-star swivel base - no arms (700) or 5-star swivel base - with arms (701)*

- L** lift mechanism
- N** no lift mechanism

*For chair - no arms (100), 4-leg base - no arms (150), 4-star swivel base - no arms (600), 4-star swivel base - with arms (601), or dowel base (950), skip this step.*

no selection

**Prices for Steps 1-3.**

		*	L	N
<b>NOVVN</b>	<b>100</b>	\$1196	—	—
	<b>150</b>	\$1142	—	—
	<b>600</b>	\$1500	—	—
	<b>601</b>	\$1730	—	—
	<b>700</b>	—	\$1554	1554
	<b>701</b>	—	\$1781	1781
	<b>950</b>	\$1360	—	—

**Step 4. Base Finish**

*For chair - no arms (100)*

<b>CHR</b>	chrome	+\$0
<b>R00</b>	black RAL 9005	+\$0
<b>R14</b>	signal white RAL9003	+\$0
<b>R24</b>	leaf green RAL 6002	+\$136
<b>R25</b>	pale green RAL 6021	+\$136
<b>R26</b>	RAL 3020 red	+\$136
<b>R28</b>	light pink RAL 3015	+\$136
<b>R29</b>	dark blue RAL 5001	+\$136
<b>R02</b>	stone grey RAL 7030	+\$136
<b>R03</b>	silver - RAL 9006	+\$136
<b>R08</b>	traffic orange RAL 2009	+\$136
<b>R13</b>	pastel blue RAL 5024	+\$136
<b>R30</b>	oyster RAL 1013 <input type="checkbox"/>	+\$136
<b>R23</b>	black grey RAL 7021 <input type="checkbox"/>	+\$136
<b>R38</b>	broom yellow RAL 1032 <input type="checkbox"/>	+\$136
<b>R39</b>	moss green RAL 6005 <input type="checkbox"/>	+\$136
<b>R40</b>	steel blue RAL 5011 <input type="checkbox"/>	+\$136

*For 4-leg base - no arms (150)*

<b>R00</b>	RAL 9005 black <input type="checkbox"/>	+\$0
<b>R02</b>	RAL 7030 stone grey <input type="checkbox"/>	+\$140
<b>R03</b>	RAL 9006 silver <input type="checkbox"/>	+\$140
<b>R08</b>	RAL 2009 orange <input type="checkbox"/>	+\$140
<b>R13</b>	RAL 5024 pastel blue <input type="checkbox"/>	+\$140
<b>R14</b>	RAL 9003 white <input type="checkbox"/>	+\$0
<b>R23</b>	RAL 7021 black grey <input type="checkbox"/>	+\$140
<b>R24</b>	RAL 6002 leaf green <input type="checkbox"/>	+\$140
<b>R25</b>	RAL 6021 green <input type="checkbox"/>	+\$140
<b>R26</b>	RAL 3020 red <input type="checkbox"/>	+\$140
<b>R28</b>	RAL 3015 light pink <input type="checkbox"/>	+\$140
<b>R29</b>	RAL 5001 blue <input type="checkbox"/>	+\$140
<b>R30</b>	RAL 1013 oyster <input type="checkbox"/>	+\$140
<b>R38</b>	broom yellow RAL 1032 <input type="checkbox"/>	+\$140
<b>R39</b>	moss green RAL 6005 <input type="checkbox"/>	+\$140
<b>R40</b>	steel blue RAL 5011 <input type="checkbox"/>	+\$140
<b>CHR</b>	chrome <input type="checkbox"/>	+\$0

*For 4-star swivel base - no arms (600) or 4-star swivel base - with arms (601)*

<b>R00</b>	black RAL 9005 <input type="checkbox"/>	+\$0
<b>R14</b>	signal white RAL9003 <input type="checkbox"/>	+\$0
<b>R23</b>	black grey RAL 7021 <input type="checkbox"/>	+\$136
<b>R24</b>	leaf green RAL 6002 <input type="checkbox"/>	+\$136
<b>R25</b>	pale green RAL 6021 <input type="checkbox"/>	+\$136
<b>R26</b>	RAL 3020 red <input type="checkbox"/>	+\$136
<b>R28</b>	light pink RAL 3015 <input type="checkbox"/>	+\$136
<b>R29</b>	dark blue RAL 5001 <input type="checkbox"/>	+\$136
<b>R02</b>	stone grey RAL 7030 <input type="checkbox"/>	+\$136
<b>R03</b>	silver - RAL 9006 <input type="checkbox"/>	+\$136
<b>R08</b>	traffic orange RAL 2009 <input type="checkbox"/>	+\$136
<b>R13</b>	pastel blue RAL 5024 <input type="checkbox"/>	+\$136
<b>R30</b>	oyster RAL 1013 <input type="checkbox"/>	+\$136
<b>POL</b>	polished <input type="checkbox"/>	+\$112
<b>POL</b>	polished <input type="checkbox"/>	+\$261
<b>R38</b>	broom yellow RAL 1032 <input type="checkbox"/>	+\$136
<b>R39</b>	moss green RAL 6005 <input type="checkbox"/>	+\$136
<b>R40</b>	steel blue RAL 5011 <input type="checkbox"/>	+\$136

*For 5-star swivel base - no arms (700) or 5-star swivel base - with arms (701)*

<b>R00</b>	black RAL 9005 <input type="checkbox"/>	+\$0
<b>R14</b>	signal white RAL9003 <input type="checkbox"/>	+\$0
<b>R23</b>	black grey RAL 7021 <input type="checkbox"/>	+\$186
<b>R24</b>	leaf green RAL 6002 <input type="checkbox"/>	+\$186
<b>R25</b>	pale green RAL 6021 <input type="checkbox"/>	+\$186
<b>R26</b>	RAL 3020 red <input type="checkbox"/>	+\$186
<b>R28</b>	light pink RAL 3015 <input type="checkbox"/>	+\$186
<b>R29</b>	dark blue RAL 5001 <input type="checkbox"/>	+\$186
<b>R02</b>	stone grey RAL 7030 <input type="checkbox"/>	+\$186
<b>R03</b>	silver - RAL 9006 <input type="checkbox"/>	+\$186
<b>R08</b>	traffic orange RAL 2009 <input type="checkbox"/>	+\$186
<b>R13</b>	pastel blue RAL 5024 <input type="checkbox"/>	+\$186
<b>R30</b>	oyster RAL 1013 <input type="checkbox"/>	+\$186
<b>POL</b>	polished <input type="checkbox"/>	+\$112
<b>POL</b>	polished <input type="checkbox"/>	+\$261
<b>R38</b>	broom yellow RAL 1032 <input type="checkbox"/>	+\$186
<b>R39</b>	moss green RAL 6005 <input type="checkbox"/>	+\$186
<b>R40</b>	steel blue RAL 5011 <input type="checkbox"/>	+\$186

*For dowel base (950)*

<b>OAK</b>	oak <input type="checkbox"/>	+\$0
<b>WAL</b>	walnut <input type="checkbox"/>	+\$112

Step 5. Fabric

*For chair - no arms (100)*

Price Category (NaughtOne) 0 <input type="checkbox"/>	-\$114
Price Category (NaughtOne) 1	+\$0
Price Category (NaughtOne) 2	+\$50
Price Category (NaughtOne) 3	+\$104
Price Category (NaughtOne) 4	+\$164
Price Category (NaughtOne) 5	+\$268
Price Category (NaughtOne) 6	+\$378
Price Category (NaughtOne) 7	+\$350

*For 4-leg base - no arms (150)*

Price Category (NaughtOne) 0 <input type="checkbox"/>	+\$0
Price Category (NaughtOne) 1	+\$0
Price Category (NaughtOne) 2	+\$51
Price Category (NaughtOne) 3	+\$98
Price Category (NaughtOne) 4	+\$147
Price Category (NaughtOne) 5	+\$243
Price Category (NaughtOne) 6	+\$339
Price Category (NaughtOne) 7	+\$0

*For 4-star swivel base - no arms (600), 4-star swivel base - with arms (601), 5-star swivel base - no arms (700), or 5-star swivel base - with arms (701)*

Price Category (NaughtOne) 0 <input type="checkbox"/>	+\$0
Price Category (NaughtOne) 1	+\$0
Price Category (NaughtOne) 2	+\$40
Price Category (NaughtOne) 3	+\$80
Price Category (NaughtOne) 4	+\$120
Price Category (NaughtOne) 5	+\$200
Price Category (NaughtOne) 6	+\$280
Price Category (NaughtOne) 7	+\$350
Price Category (NaughtOne) 9	+\$468

*For dowel base (950)*

Price Category (NaughtOne) 0 <input type="checkbox"/>	+\$0
Price Category (NaughtOne) 1	+\$0
Price Category (NaughtOne) 2	+\$45
Price Category (NaughtOne) 3	+\$88
Price Category (NaughtOne) 4	+\$133
Price Category (NaughtOne) 5	+\$219
Price Category (NaughtOne) 6	+\$308
Price Category (NaughtOne) 7	+\$396

Step 6. Casters

*For chair - no arms (100), 4-leg base - no arms (150), 4-star swivel base - no arms (600), or 4-star swivel base - with arms (601)*

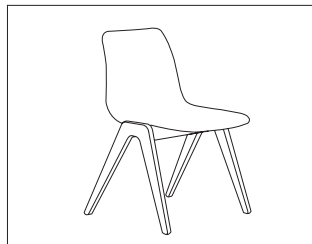
<b>PG</b> plastic glides <input type="checkbox"/>	+\$0
<b>FG</b> felt glides <input type="checkbox"/>	+\$24

*For dowel base (950)*

<b>PG</b> plastic glides <input type="checkbox"/>	+\$0
---	------

*For 5-star swivel base - no arms (700) or 5-star swivel base - with arms (701)*

<b>HC</b> hard casters <input type="checkbox"/>	+\$0
<b>SC</b> soft casters <input type="checkbox"/>	+\$63



**Product Information**

**Description**

This upholstered chair has a bucketed seat of molded polypropylene covered with CMHR foam. Base is handmade from solid wood and finished with matte lacquer. Chair and lounge chair are stackable on a trolley or cart up to 3 high.

**Notes**

Nominal dimensions rounded to the nearest 1/2 inch.

Type	Width	Depth	Height	Seat Ht.
100	20 1/2	22	30 1/2	17 1/2
500	23 1/2	25 1/2	25 1/2	16

Customer's Own Material (COM) requires the following yardage:

Type	Total
100	1
500	1 1/2

Customer's Own Leather (COL) requires the following square feet:

Type	Total
100	17
500	17

**Specification Information**

**Step 1.**

**NOVWN**  A

**Step 2. Base Type**

**100** chair  A

**Prices for Steps 1-2.**

**NOVWN 100** \$2187

**Step 3. Base Finish**

**OAK** oak +\$0

**WLN** walnut  A +\$123

**Step 4. Fabric**

Price Category (NaughtOne) 0  A -\$114

Price Category (NaughtOne) 1 +\$0

Price Category (NaughtOne) 2 +\$41

Price Category (NaughtOne) 3 +\$84

Price Category (NaughtOne) 4 +\$139

Price Category (NaughtOne) 5 +\$239

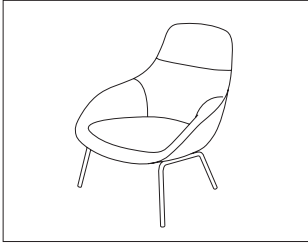
Price Category (NaughtOne) 6 +\$338

Price Category (NaughtOne) 7 +\$523

**Step 5. Glide Option**

**FG** felt glides  A +\$24

**PG** plastic glides  A +\$0



NaughtOne® Lounge Chairs

**Product Information**

**Description**

This lounge chair is upholstered over an engineered foam core with a steel frame for base attachment. Bases are available in steel with polyester powder coat, polished, or bright chrome finishes, or molded plywood legs.

**Notes**

Nominal dimensions rounded to the nearest 1/2 inch.

Type	Width	Depth	Height	Seat Ht.
1	31	31 1/2	36 1/2	16 1/2
2	31	31 1/2	36 1/2	16 1/2
3	31	31 1/2	36 1/2	16 1/2
5	31	31 1/2	36 1/2	16 1/2
6	31	32	36 1/2	16 1/2

Customer's Own Material (COM) requires the following yardage:

Type	Total	Shell	Seat Pad
1-6	3 1/4	2 3/4	1

Customer's Own Leather (COL) requires the following square feet:

Type	Total	Shell	Seat Pad
1-6	59	50	18

**Specification Information**

**Step 1.**

**NOALN2**

**Step 2. Base Type**

- 1 four leg
- 2 sled base
- 3 wood legs
- 5 4-star swivel base
- 6 rocker base

**Step 3. Upholstery**

- 1 single fabric
- 2 multiple fabric

**Prices for Steps 1-3.**

	1	2
<b>NOALN2 1</b>	\$3477	3477
<b>2</b>	\$3555	3555
<b>3</b>	\$4388	4388
<b>5</b>	\$3878	3878
<b>6</b>	\$4974	4974

**Step 4. Base Finish**

*For four leg (1)*

<b>CHR</b>	chrome	+\$56
<b>R00</b>	black RAL 9005	+\$0
<b>R02</b>	stone grey RAL 7030	+\$140
<b>R03</b>	silver - RAL 9006	+\$140
<b>R26</b>	RAL 3020 red	+\$140
<b>R08</b>	traffic orange RAL 2009	+\$140
<b>R13</b>	pastel blue RAL 5024	+\$140
<b>R14</b>	signal white RAL9003	+\$0
<b>R23</b>	black grey RAL 7021	+\$140
<b>R24</b>	leaf green RAL 6002	+\$140
<b>R25</b>	pale green RAL 6021	+\$140
<b>R28</b>	light pink RAL 3015	+\$140
<b>R29</b>	dark blue RAL 5001	+\$140
<b>R30</b>	oyster RAL 1013 <input type="checkbox"/>	+\$140
<b>R38</b>	broom yellow RAL 1032 <input type="checkbox"/>	+\$140
<b>R39</b>	moss green RAL 6005 <input type="checkbox"/>	+\$140
<b>R40</b>	steel blue RAL 5011 <input type="checkbox"/>	+\$140

# Always Lounge Chair *continued*

*For sled base (2)*

<b>CHR</b>	chrome <input type="checkbox"/>	+\$86
<b>R00</b>	black RAL 9005 <input type="checkbox"/>	+\$0
<b>R02</b>	stone grey RAL 7030 <input type="checkbox"/>	+\$140
<b>R03</b>	silver - RAL 9006 <input type="checkbox"/>	+\$140
<b>R08</b>	traffic orange RAL 2009 <input type="checkbox"/>	+\$140
<b>R13</b>	pastel blue RAL 5024 <input type="checkbox"/>	+\$140
<b>R14</b>	signal white RAL9003 <input type="checkbox"/>	+\$0
<b>R23</b>	black grey RAL 7021 <input type="checkbox"/>	+\$140
<b>R24</b>	leaf green RAL 6002 <input type="checkbox"/>	+\$140
<b>R25</b>	pale green RAL 6021 <input type="checkbox"/>	+\$140
<b>R26</b>	RAL 3020 red <input type="checkbox"/>	+\$140
<b>R28</b>	light pink RAL 3015 <input type="checkbox"/>	+\$140
<b>R29</b>	dark blue RAL 5001 <input type="checkbox"/>	+\$140
<b>R30</b>	oyster RAL 1013 <input type="checkbox"/>	+\$140
<b>R38</b>	broom yellow RAL 1032 <input type="checkbox"/>	+\$140
<b>R39</b>	moss green RAL 6005 <input type="checkbox"/>	+\$140
<b>R40</b>	steel blue RAL 5011 <input type="checkbox"/>	+\$140

*For 4-star swivel base (5)*

<b>POL</b>	polished <input type="checkbox"/>	+\$163
<b>R00</b>	black RAL 9005 <input type="checkbox"/>	+\$0
<b>R02</b>	stone grey RAL 7030 <input type="checkbox"/>	+\$140
<b>R03</b>	silver - RAL 9006 <input type="checkbox"/>	+\$140
<b>R08</b>	traffic orange RAL 2009 <input type="checkbox"/>	+\$140
<b>R13</b>	pastel blue RAL 5024 <input type="checkbox"/>	+\$140
<b>R14</b>	signal white RAL9003 <input type="checkbox"/>	+\$0
<b>R23</b>	black grey RAL 7021 <input type="checkbox"/>	+\$140
<b>R24</b>	leaf green RAL 6002 <input type="checkbox"/>	+\$140
<b>R25</b>	pale green RAL 6021 <input type="checkbox"/>	+\$140
<b>R26</b>	RAL 3020 red <input type="checkbox"/>	+\$140
<b>R28</b>	light pink RAL 3015 <input type="checkbox"/>	+\$140
<b>R29</b>	dark blue RAL 5001 <input type="checkbox"/>	+\$140
<b>R30</b>	oyster RAL 1013 <input type="checkbox"/>	+\$140
<b>R38</b>	broom yellow RAL 1032 <input type="checkbox"/>	+\$140
<b>R39</b>	moss green RAL 6005 <input type="checkbox"/>	+\$140
<b>R40</b>	steel blue RAL 5011 <input type="checkbox"/>	+\$140

*For wood legs (3)*

<b>OAK</b>	oak	+\$0
<b>WAL</b>	walnut <input type="checkbox"/>	+\$0

*For rocker base (6)*

<b>OAK</b>	oak <input type="checkbox"/>	+\$0
<b>WLN</b>	walnut <input type="checkbox"/>	+\$308

**Step 5. Rocker Sub-Base Finish**

*For rocker base (6)*

<b>R00</b>	black RAL 9005 <input type="checkbox"/>	+\$0
<b>R02</b>	stone grey RAL 7030 <input type="checkbox"/>	+\$137
<b>R03</b>	silver - RAL 9006 <input type="checkbox"/>	+\$137
<b>R08</b>	traffic orange RAL 2009 <input type="checkbox"/>	+\$137
<b>R13</b>	pastel blue RAL 5024 <input type="checkbox"/>	+\$137
<b>R14</b>	signal white RAL9003 <input type="checkbox"/>	+\$0
<b>R23</b>	black grey RAL 7021 <input type="checkbox"/>	+\$137
<b>R24</b>	leaf green RAL 6002 <input type="checkbox"/>	+\$137
<b>R25</b>	pale green RAL 6021 <input type="checkbox"/>	+\$137
<b>R26</b>	RAL 3020 red <input type="checkbox"/>	+\$137
<b>R28</b>	light pink RAL 3015 <input type="checkbox"/>	+\$137
<b>R29</b>	dark blue RAL 5001 <input type="checkbox"/>	+\$137
<b>R30</b>	oyster RAL 1013 <input type="checkbox"/>	+\$137
<b>R38</b>	broom yellow RAL 1032 <input type="checkbox"/>	+\$137
<b>R39</b>	moss green RAL 6005 <input type="checkbox"/>	+\$137
<b>R40</b>	steel blue RAL 5011 <input type="checkbox"/>	+\$137

**Step 6. Fabric**

*For four leg (1) with single fabric (1)*

Price Category (NaughtOne) 0 <input type="checkbox"/>	-\$342
Price Category (NaughtOne) 1	+\$0
Price Category (NaughtOne) 2	+\$174
Price Category (NaughtOne) 3	+\$347
Price Category (NaughtOne) 4	+\$510
Price Category (NaughtOne) 5	+\$863
Price Category (NaughtOne) 6	+\$1201
Price Category (NaughtOne) 7	+\$1538

*For sled base (2) with single fabric (1)*

Price Category (NaughtOne) 0 <input type="checkbox"/>	-\$120
Price Category (NaughtOne) 1	+\$0
Price Category (NaughtOne) 2	+\$126
Price Category (NaughtOne) 3	+\$215
Price Category (NaughtOne) 4	+\$293
Price Category (NaughtOne) 5	+\$458
Price Category (NaughtOne) 6	+\$542
Price Category (NaughtOne) 7	+\$1554

<i>For wood legs (3) with single fabric (1)</i>	
Price Category (NaughtOne) 0 <input type="checkbox"/>	-\$353
Price Category (NaughtOne) 1	+\$0
Price Category (NaughtOne) 2	+\$157
Price Category (NaughtOne) 3	+\$337
Price Category (NaughtOne) 4	+\$510
Price Category (NaughtOne) 5	+\$849
Price Category (NaughtOne) 6	+\$1200
Price Category (NaughtOne) 7	+\$1551

<i>For 4-star swivel base (5) with single fabric (1)</i>	
Price Category (NaughtOne) 0 <input type="checkbox"/>	+\$0
Price Category (NaughtOne) 1	+\$0
Price Category (NaughtOne) 2	+\$119
Price Category (NaughtOne) 3	+\$192
Price Category (NaughtOne) 4	+\$261
Price Category (NaughtOne) 5	+\$404
Price Category (NaughtOne) 6	+\$545
Price Category (NaughtOne) 7	+\$1286
Price Category (NaughtOne) 9	+\$1857

<i>For rocker base (6) with single fabric (1)</i>	
Price Category (NaughtOne) 0 <input type="checkbox"/>	+\$0
Price Category (NaughtOne) 1	+\$0
Price Category (NaughtOne) 2	+\$101
Price Category (NaughtOne) 3	+\$156
Price Category (NaughtOne) 4	+\$206
Price Category (NaughtOne) 5	+\$393
Price Category (NaughtOne) 6	+\$550
Price Category (NaughtOne) 7	+\$1062
Price Category (NaughtOne) 9	+\$1415

Step 7. Shell Band Fabric

<i>For four leg (1) with multiple fabric (2)</i>	
Price Category (NaughtOne) 0 <input type="checkbox"/>	-\$206
Price Category (NaughtOne) 1	+\$0
Price Category (NaughtOne) 2	+\$104
Price Category (NaughtOne) 3	+\$209
Price Category (NaughtOne) 4	+\$307
Price Category (NaughtOne) 5	+\$517
Price Category (NaughtOne) 6	+\$721

<i>For sled base (2) with multiple fabric (2)</i>	
Price Category (NaughtOne) 0 <input type="checkbox"/>	-\$214
Price Category (NaughtOne) 1	+\$0
Price Category (NaughtOne) 2	+\$96
Price Category (NaughtOne) 3	+\$206
Price Category (NaughtOne) 4	+\$307
Price Category (NaughtOne) 5	+\$509
Price Category (NaughtOne) 6	+\$805

<i>For 4-star swivel base (5) with multiple fabric (2)</i>	
Price Category (NaughtOne) 0 <input type="checkbox"/>	+\$0
Price Category (NaughtOne) 1	+\$0
Price Category (NaughtOne) 2	+\$85
Price Category (NaughtOne) 3	+\$172
Price Category (NaughtOne) 4	+\$257
Price Category (NaughtOne) 5	+\$428
Price Category (NaughtOne) 6	+\$600

<i>For wood legs (3) with multiple fabric (2)</i>	
Price Category (NaughtOne) 0 <input type="checkbox"/>	-\$212
Price Category (NaughtOne) 1	+\$0
Price Category (NaughtOne) 2	+\$95
Price Category (NaughtOne) 3	+\$203
Price Category (NaughtOne) 4	+\$307
Price Category (NaughtOne) 5	+\$509
Price Category (NaughtOne) 6	+\$720

<i>For rocker base (6) with multiple fabric (2)</i>	
Price Category (NaughtOne) 0 <input type="checkbox"/>	+\$0
Price Category (NaughtOne) 1	+\$0
Price Category (NaughtOne) 2	+\$79
Price Category (NaughtOne) 3	+\$157
Price Category (NaughtOne) 4	+\$237
Price Category (NaughtOne) 5	+\$393
Price Category (NaughtOne) 6	+\$550

Step 8. Seat Fabric

<i>For four leg (1) with multiple fabric (2)</i>	
Price Category (NaughtOne) 0 <input type="checkbox"/>	-\$113
Price Category (NaughtOne) 1	+\$50
Price Category (NaughtOne) 2	+\$132
Price Category (NaughtOne) 3	+\$217
Price Category (NaughtOne) 4	+\$293
Price Category (NaughtOne) 5	+\$463
Price Category (NaughtOne) 6	+\$626
Price Category (NaughtOne) 7	+\$685



# Always Lounge Chair *continued*

---

*For sled base (2) with multiple fabric (2)*

Price Category (NaughtOne) 0 <input type="checkbox"/>	-\$120
Price Category (NaughtOne) 1	+\$50
Price Category (NaughtOne) 2	+\$126
Price Category (NaughtOne) 3	+\$215
Price Category (NaughtOne) 4	+\$293
Price Category (NaughtOne) 5	+\$458
Price Category (NaughtOne) 6	+\$542
Price Category (NaughtOne) 7	+\$691

---

*For wood legs (3) with multiple fabric (2)*

Price Category (NaughtOne) 0 <input type="checkbox"/>	-\$118
Price Category (NaughtOne) 1	+\$50
Price Category (NaughtOne) 2	+\$126
Price Category (NaughtOne) 3	+\$214
Price Category (NaughtOne) 4	+\$293
Price Category (NaughtOne) 5	+\$458
Price Category (NaughtOne) 6	+\$626
Price Category (NaughtOne) 7	+\$690

---

*For 4-star swivel base (5) with multiple fabric (2)*

Price Category (NaughtOne) 0 <input type="checkbox"/>	+\$23
Price Category (NaughtOne) 1	+\$50
Price Category (NaughtOne) 2	+\$119
Price Category (NaughtOne) 3	+\$192
Price Category (NaughtOne) 4	+\$261
Price Category (NaughtOne) 5	+\$404
Price Category (NaughtOne) 6	+\$545
Price Category (NaughtOne) 7	+\$687
Price Category (NaughtOne) 9	+\$970

---

*For rocker base (6) with multiple fabric (2)*

Price Category (NaughtOne) 0 <input type="checkbox"/>	+\$49
Price Category (NaughtOne) 1	+\$49
Price Category (NaughtOne) 2	+\$101
Price Category (NaughtOne) 3	+\$156
Price Category (NaughtOne) 4	+\$206
Price Category (NaughtOne) 5	+\$313
Price Category (NaughtOne) 6	+\$418
Price Category (NaughtOne) 7	+\$523
Price Category (NaughtOne) 9	+\$734

---

Step 9. Glide Option

---

*For 4-star swivel base (5)*

<b>PG</b> plastic glides <input type="checkbox"/>	+\$0
<b>FG</b> felt glides <input type="checkbox"/>	+\$24

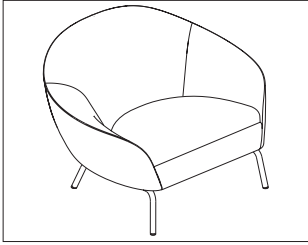
---

*For four leg (1), sled base (2), or wood legs (3)*

<b>FG</b> felt glides <input type="checkbox"/>	+\$24
<b>PG</b> plastic glides <input type="checkbox"/>	+\$0

Ever Lounge Chair

NOEVE



NaughtOne® Lounge Chairs

**Product Information**

**Description**

This lounge chair is upholstered over an engineered foam core. The foam is slotted over a plywood and steel bracket frame. Legs are available in steel with polyester powder coat or bright chrome finishes, or machined solid wood.

**Notes**

Nominal dimensions rounded to the nearest 1/2 inch.

Type	Width	Depth	Height	Seat Ht.
10	43 1/2	31 1/2	30	16

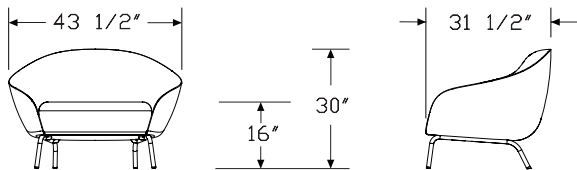
Customer's Own Material (COM) requires the following yardage:

Type	Total	Outer	Seat
10xx1	4 1/4	—	—
10xx2	—	3 1/2	1 1/2

Customer's Own Leather (COL) requires the following square feet:

Type	Total	Outer	Seat
10xx1	76 1/2	—	—
10xx2	—	63	27

**Dimensions**



**Specification Information**

**Step 1.**

**NOEVE**

**Step 2. Type**

**10** armchair

**Step 3. Base Type**

**ST** steel legs

**WD** wooden legs

**Step 4. Upholstery**

**1** single fabric

**2** multiple fabric

**Prices for Steps 1-4.**

		1	2
<b>NOEVE</b>	<b>10 ST</b>	\$3903	3903
	<b>WD</b>	\$3903	3903

**Step 5. Base Finish**

*For armchair (10) with steel legs (ST)*

<b>CHR</b>	chrome <input type="checkbox"/>	+\$86
<b>R00</b>	black RAL 9005 <input type="checkbox"/>	+\$0
<b>R02</b>	stone grey RAL 7030 <input type="checkbox"/>	+\$140
<b>R03</b>	silver - RAL 9006 <input type="checkbox"/>	+\$140
<b>R08</b>	traffic orange RAL 2009 <input type="checkbox"/>	+\$140
<b>R13</b>	pastel blue RAL 5024 <input type="checkbox"/>	+\$140
<b>R14</b>	signal white RAL9003 <input type="checkbox"/>	+\$0
<b>R23</b>	black grey RAL 7021 <input type="checkbox"/>	+\$140
<b>R24</b>	leaf green RAL 6002 <input type="checkbox"/>	+\$140
<b>R25</b>	pale green RAL 6021 <input type="checkbox"/>	+\$140
<b>R28</b>	light pink RAL 3015 <input type="checkbox"/>	+\$140
<b>R29</b>	dark blue RAL 5001 <input type="checkbox"/>	+\$140
<b>R30</b>	oyster RAL 1013 <input type="checkbox"/>	+\$140
<b>R26</b>	RAL 3020 red <input type="checkbox"/>	+\$140
<b>R38</b>	broom yellow RAL 1032 <input type="checkbox"/>	+\$140
<b>R39</b>	moss green RAL 6005 <input type="checkbox"/>	+\$140
<b>R40</b>	steel blue RAL 5011 <input type="checkbox"/>	+\$140

*For armchair (10) with wooden legs (WD)*

<b>OAK</b>	oak <input type="checkbox"/>	+\$945
<b>WLN</b>	walnut <input type="checkbox"/>	+\$1304

## Ever Lounge Chair *continued*

### Step 6. Fabric

#### *For armchair (10) with single fabric (1)*

Price Category (NaughtOne) 0	<input type="checkbox"/> A	+\$0
Price Category (NaughtOne) 1		+\$0
Price Category (NaughtOne) 2		+\$154
Price Category (NaughtOne) 3		+\$308
Price Category (NaughtOne) 4		+\$463
Price Category (NaughtOne) 5		+\$769
Price Category (NaughtOne) 6		+\$1076
Price Category (NaughtOne) 7		+\$1384
Price Category (NaughtOne) 9		+\$2000

### Step 7. Outer Fabric

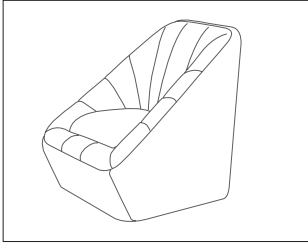
#### *For armchair (10) with multiple fabric (2)*

Price Category (NaughtOne) 0	<input type="checkbox"/> A	+\$0
Price Category (NaughtOne) 1		+\$0
Price Category (NaughtOne) 2		+\$103
Price Category (NaughtOne) 3		+\$205
Price Category (NaughtOne) 4		+\$309
Price Category (NaughtOne) 5		+\$513
Price Category (NaughtOne) 6		+\$718
Price Category (NaughtOne) 7		+\$922
Price Category (NaughtOne) 9		+\$1333

### Step 8. Seat Fabric

#### *For armchair (10) with multiple fabric (2)*

Price Category (NaughtOne) 0	<input type="checkbox"/> A	+\$0
Price Category (NaughtOne) 1		+\$0
Price Category (NaughtOne) 2		+\$51
Price Category (NaughtOne) 3		+\$103
Price Category (NaughtOne) 4		+\$154
Price Category (NaughtOne) 5		+\$256
Price Category (NaughtOne) 6		+\$359
Price Category (NaughtOne) 7		+\$462
Price Category (NaughtOne) 9		+\$667



NaughtOne® Lounge Chairs

**Product Information**

**Description**

This lounge chair has a wood frame and offers two-tone fabric for the outer and inner shell. Chair is available with a fixed base or a hidden swivel base.

**Notes**

Nominal dimensions rounded to the nearest 1/2 inch.

Type	Width	Depth	Height
1	33 1/2	34	35
2	33 1/2	34	35

Customer's Own Material (COM) requires the following yardage:

Type	Total	Outer	Inner and Seat Cushion
1-2	6	3	3

Customer's Own Leather (COL) requires the following square feet:

Type	Total	Outer	Inner and Seat Cushion
1-2	92	38	54

**Specification Information**

**Step 1.**

**NOFIJ**  A

**Step 2. Base Type**

- 1 chair - fixed  A
- 2 chair - with swivel  A

**Prices for Steps 1-2.**

<b>NOFIJ 1</b>	\$4607
<b>2</b>	\$5198

**Step 3. Shell Band Fabric**

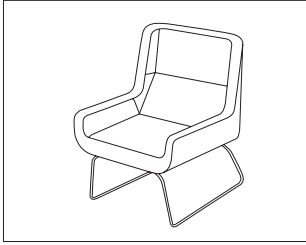
Price Category (NaughtOne) 0 <input type="checkbox"/> A	+\$0
Price Category (NaughtOne) 1	+\$0
Price Category (NaughtOne) 2	+\$217
Price Category (NaughtOne) 3	+\$261
Price Category (NaughtOne) 4	+\$392
Price Category (NaughtOne) 5	+\$652
Price Category (NaughtOne) 6	+\$914
Price Category (NaughtOne) 7	+\$1175
Price Category (NaughtOne) 9	+\$1697

**Step 4. Seat Fabric**

Price Category (NaughtOne) 0 <input type="checkbox"/> A	+\$0
Price Category (NaughtOne) 1	+\$0
Price Category (NaughtOne) 2	+\$87
Price Category (NaughtOne) 3	+\$175
Price Category (NaughtOne) 4	+\$261
Price Category (NaughtOne) 5	+\$435
Price Category (NaughtOne) 6	+\$609
Price Category (NaughtOne) 7	+\$783

# Hush Low Back Chair

NOHUN



## Product Information

### Description

This low back upholstered chair is constructed with a molded plywood inner frame and topped with high quality foam. Bases are available in solid oak, chromed mild steel, brushed stainless steel, or a hard-wearing polyester powder coat.

### Notes

Nominal dimensions rounded to the nearest 1/2 inch.

Type	Width	Depth	Height	Seat Ht.
2	28 1/2	30	34 1/2	17
3	28 1/2	30	34 1/2	17
5	28 1/2	30	34 1/2	17

Customer's Own Material (COM) requires the following yardage:

Type	Total (1-fab)	Inner (2-fab)	Outer (2-fab)
2-5	3 1/2	2	2 1/2

Customer's Own Leather (COL) requires the following square feet:

Type	Total (1-fab)	Inner (2-fab)	Outer (2-fab)
2-5	63	36	45

## Specification Information

### Step 1.

**NOHUN11**

### Step 2. Base Type

- 2 sled base
- 3 wooden legs
- 5 4-star swivel base

### Prices for Steps 1-2.

<b>NOHUN11</b>	<b>2</b>	\$3181
	<b>3</b>	\$4133
	<b>5</b>	\$3920

### Step 3. Base Finish

#### For sled base (2)

<b>CHR</b>	chrome	+\$0
<b>R00</b>	black RAL 9005	+\$0
<b>R02</b>	stone grey RAL 7030	+\$140
<b>R03</b>	silver - RAL 9006	+\$140
<b>R26</b>	RAL 3020 red	+\$140
<b>R08</b>	traffic orange RAL 2009	+\$140
<b>R13</b>	pastel blue RAL 5024	+\$140
<b>R14</b>	signal white RAL9003	+\$0
<b>R23</b>	black grey RAL 7021	+\$140
<b>R24</b>	leaf green RAL 6002	+\$140
<b>R25</b>	pale green RAL 6021	+\$140
<b>R28</b>	light pink RAL 3015	+\$140
<b>R29</b>	dark blue RAL 5001	+\$140
<b>R30</b>	oyster RAL 1013 <input type="checkbox"/>	+\$140
<b>R38</b>	broom yellow RAL 1032 <input type="checkbox"/>	+\$140
<b>R39</b>	moss green RAL 6005 <input type="checkbox"/>	+\$140
<b>R40</b>	steel blue RAL 5011 <input type="checkbox"/>	+\$140

#### For wooden legs (3)

<b>OAK</b>	oak	+\$0
<b>WLN</b>	walnut <input type="checkbox"/>	+\$0

*For 4-star swivel base (5)*

POL	polished <span style="border: 1px solid black; padding: 0 2px;">A</span>	+\$164
R00	black RAL 9005	+\$0
R02	stone grey RAL 7030	+\$140
R03	silver - RAL 9006	+\$140
R26	RAL 3020 red	+\$140
R08	traffic orange RAL 2009	+\$140
R13	pastel blue RAL 5024	+\$140
R14	signal white RAL9003	+\$0
R23	black grey RAL 7021	+\$140
R24	leaf green RAL 6002	+\$140
R25	pale green RAL 6021	+\$140
R28	light pink RAL 3015	+\$140
R29	dark blue RAL 5001	+\$140
R30	oyster RAL 1013 <span style="border: 1px solid black; padding: 0 2px;">A</span>	+\$140
R38	broom yellow RAL 1032 <span style="border: 1px solid black; padding: 0 2px;">A</span>	+\$140
R39	moss green RAL 6005 <span style="border: 1px solid black; padding: 0 2px;">A</span>	+\$140
R40	steel blue RAL 5011 <span style="border: 1px solid black; padding: 0 2px;">A</span>	+\$140

Step 4. Internal Fabric

*For sled base (2)*

Price Category (NaughtOne) 0 <span style="border: 1px solid black; padding: 0 2px;">A</span>	-\$99
Price Category (NaughtOne) 1	+\$0
Price Category (NaughtOne) 2	+\$70
Price Category (NaughtOne) 3	+\$127
Price Category (NaughtOne) 4	+\$190
Price Category (NaughtOne) 5	+\$317
Price Category (NaughtOne) 6	+\$440
Price Category (NaughtOne) 7	+\$563

*For wooden legs (3)*

Price Category (NaughtOne) 0 <span style="border: 1px solid black; padding: 0 2px;">A</span>	-\$96
Price Category (NaughtOne) 1	+\$0
Price Category (NaughtOne) 2	+\$66
Price Category (NaughtOne) 3	+\$126
Price Category (NaughtOne) 4	+\$191
Price Category (NaughtOne) 5	+\$318
Price Category (NaughtOne) 6	+\$435
Price Category (NaughtOne) 7	+\$552

*For 4-star swivel base (5)*

Price Category (NaughtOne) 0 <span style="border: 1px solid black; padding: 0 2px;">A</span>	+\$0
Price Category (NaughtOne) 1	+\$0
Price Category (NaughtOne) 2	+\$57
Price Category (NaughtOne) 3	+\$114
Price Category (NaughtOne) 4	+\$170
Price Category (NaughtOne) 5	+\$283
Price Category (NaughtOne) 6	+\$396
Price Category (NaughtOne) 7	+\$0

Step 5. External Fabric

*For sled base (2)*

Price Category (NaughtOne) 0 <span style="border: 1px solid black; padding: 0 2px;">A</span>	-\$132
Price Category (NaughtOne) 1	+\$0
Price Category (NaughtOne) 2	+\$93
Price Category (NaughtOne) 3	+\$170
Price Category (NaughtOne) 4	+\$255
Price Category (NaughtOne) 5	+\$423
Price Category (NaughtOne) 6	+\$586
Price Category (NaughtOne) 7	+\$749

*For wooden legs (3)*

Price Category (NaughtOne) 0 <span style="border: 1px solid black; padding: 0 2px;">A</span>	-\$129
Price Category (NaughtOne) 1	+\$0
Price Category (NaughtOne) 2	+\$86
Price Category (NaughtOne) 3	+\$166
Price Category (NaughtOne) 4	+\$255
Price Category (NaughtOne) 5	+\$423
Price Category (NaughtOne) 6	+\$579
Price Category (NaughtOne) 7	+\$736

*For 4-star swivel base (5)*

Price Category (NaughtOne) 0 <span style="border: 1px solid black; padding: 0 2px;">A</span>	+\$0
Price Category (NaughtOne) 1	+\$0
Price Category (NaughtOne) 2	+\$57
Price Category (NaughtOne) 3	+\$113
Price Category (NaughtOne) 4	+\$170
Price Category (NaughtOne) 5	+\$283
Price Category (NaughtOne) 6	+\$396
Price Category (NaughtOne) 7	+\$0

Step 6. Casters

*For 4-star swivel base (5)*

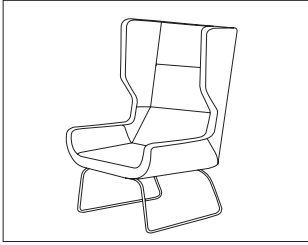
FG	felt glides <span style="border: 1px solid black; padding: 0 2px;">A</span>	+\$24
PG	plastic glides <span style="border: 1px solid black; padding: 0 2px;">A</span>	+\$0

Hush Low Back Chair *continued*

---

*For sled base (2) or wooden legs (3)*

<b>FG</b>	felt glides <input type="checkbox"/> A	+\$24
<b>PG</b>	plastic glides <input type="checkbox"/> A	+\$0



NaughtOne® Lounge Chairs

**Product Information**

**Description**

This upholstered chair is constructed with a molded plywood inner frame topped with high quality foam. Bases are available in solid oak, chromed mild steel, brushed stainless steel, or a hard-wearing polyester powder coat. 4-star swivel base has a choice of glides.

**Notes**

Nominal dimensions rounded to the nearest 1/2 inch.

Type	Width	Depth	Height	Seat Ht.
2	28½	32	45½	17
3	28½	32	45½	17
5	28½	32	45½	17

Customer's Own Material (COM) requires the following yardage:

Type	Total (1-fab)	Inner (2-fab)	Outer (2-fab)
2-5	4½	2½	3

Customer's Own Leather (COL) requires the following square feet:

Type	Total (1-fab)	Inner (2-fab)	Outer (2-fab)
2-5	81	45	54

**Specification Information**

**Step 1.**

**NOHUN21**  A

**Step 2. Base Type**

- 2 sled base  A
- 3 wooden legs  A
- 5 4-star swivel base  A

**Prices for Steps 1-2.**

<b>NOHUN21</b>	<b>2</b>	\$4332
	<b>3</b>	\$5482
	<b>5</b>	\$4926

**Step 3. Base Finish**

*For sled base (2)*

<b>CHR</b>	chrome	+\$0
<b>R00</b>	black RAL 9005	+\$0
<b>R02</b>	stone grey RAL 7030	+\$140
<b>R03</b>	silver - RAL 9006	+\$140
<b>R26</b>	RAL 3020 red	+\$140
<b>R08</b>	traffic orange RAL 2009	+\$140
<b>R13</b>	pastel blue RAL 5024	+\$140
<b>R14</b>	signal white RAL9003	+\$0
<b>R23</b>	black grey RAL 7021	+\$140
<b>R24</b>	leaf green RAL 6002	+\$140
<b>R25</b>	pale green RAL 6021	+\$140
<b>R28</b>	light pink RAL 3015	+\$140
<b>R29</b>	dark blue RAL 5001	+\$140
<b>R30</b>	oyster RAL 1013 <input type="checkbox"/> A	+\$140
<b>R38</b>	broom yellow RAL 1032 <input type="checkbox"/> A	+\$140
<b>R39</b>	moss green RAL 6005 <input type="checkbox"/> A	+\$140
<b>R40</b>	steel blue RAL 5011 <input type="checkbox"/> A	+\$140

*For wooden legs (3)*

<b>OAK</b>	oak	+\$0
<b>WLN</b>	walnut <input type="checkbox"/> A	+\$0



*For 4-star swivel base (5)*

<b>POL</b>	polished <input type="checkbox"/>	+\$164
<b>R00</b>	black RAL 9005	+\$0
<b>R02</b>	stone grey RAL 7030	+\$140
<b>R03</b>	silver - RAL 9006	+\$140
<b>R26</b>	RAL 3020 red	+\$140
<b>R08</b>	traffic orange RAL 2009	+\$140
<b>R13</b>	pastel blue RAL 5024	+\$140
<b>R14</b>	signal white RAL9003	+\$0
<b>R23</b>	black grey RAL 7021	+\$140
<b>R24</b>	leaf green RAL 6002	+\$140
<b>R25</b>	pale green RAL 6021	+\$140
<b>R28</b>	light pink RAL 3015	+\$140
<b>R29</b>	dark blue RAL 5001	+\$140
<b>R30</b>	oyster RAL 1013 <input type="checkbox"/>	+\$140
<b>R38</b>	broom yellow RAL 1032 <input type="checkbox"/>	+\$140
<b>R39</b>	moss green RAL 6005 <input type="checkbox"/>	+\$140
<b>R40</b>	steel blue RAL 5011 <input type="checkbox"/>	+\$140

Step 4. Internal Fabric

*For sled base (2)*

Price Category (NaughtOne) 0 <input type="checkbox"/>	-\$183
Price Category (NaughtOne) 1	+\$0
Price Category (NaughtOne) 2	+\$90
Price Category (NaughtOne) 3	+\$177
Price Category (NaughtOne) 4	+\$265
Price Category (NaughtOne) 5	+\$447
Price Category (NaughtOne) 6	+\$616
Price Category (NaughtOne) 7	+\$785

*For wooden legs (3)*

Price Category (NaughtOne) 0 <input type="checkbox"/>	-\$184
Price Category (NaughtOne) 1	+\$0
Price Category (NaughtOne) 2	+\$87
Price Category (NaughtOne) 3	+\$177
Price Category (NaughtOne) 4	+\$265
Price Category (NaughtOne) 5	+\$445
Price Category (NaughtOne) 6	+\$610
Price Category (NaughtOne) 7	+\$777

*For 4-star swivel base (5)*

Price Category (NaughtOne) 0 <input type="checkbox"/>	+\$0
Price Category (NaughtOne) 1	+\$0
Price Category (NaughtOne) 2	+\$66
Price Category (NaughtOne) 3	+\$130
Price Category (NaughtOne) 4	+\$193
Price Category (NaughtOne) 5	+\$322
Price Category (NaughtOne) 6	+\$452
Price Category (NaughtOne) 7	+\$0

Step 5. External Fabric

*For sled base (2)*

Price Category (NaughtOne) 0 <input type="checkbox"/>	-\$305
Price Category (NaughtOne) 1	+\$0
Price Category (NaughtOne) 2	+\$149
Price Category (NaughtOne) 3	+\$293
Price Category (NaughtOne) 4	+\$444
Price Category (NaughtOne) 5	+\$745
Price Category (NaughtOne) 6	+\$1026
Price Category (NaughtOne) 7	+\$1308

*For wooden legs (3)*

Price Category (NaughtOne) 0 <input type="checkbox"/>	-\$308
Price Category (NaughtOne) 1	+\$0
Price Category (NaughtOne) 2	+\$147
Price Category (NaughtOne) 3	+\$294
Price Category (NaughtOne) 4	+\$444
Price Category (NaughtOne) 5	+\$742
Price Category (NaughtOne) 6	+\$1018
Price Category (NaughtOne) 7	+\$1293

*For 4-star swivel base (5)*

Price Category (NaughtOne) 0 <input type="checkbox"/>	+\$0
Price Category (NaughtOne) 1	+\$0
Price Category (NaughtOne) 2	+\$107
Price Category (NaughtOne) 3	+\$214
Price Category (NaughtOne) 4	+\$321
Price Category (NaughtOne) 5	+\$536
Price Category (NaughtOne) 6	+\$749
Price Category (NaughtOne) 7	+\$0

Step 6. Glides

*For 4-star swivel base (5)*

<b>PG</b>	plastic glides <input type="checkbox"/>	+\$0
<b>FG</b>	felt glides <input type="checkbox"/>	+\$24

Hush Chair *continued*

NaughtOne® Lounge Chairs

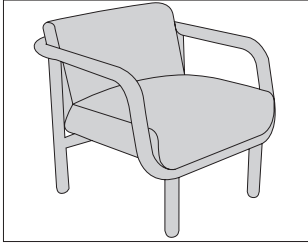
---

*For sled base (2) or wooden legs (3)*

PG	plastic glides	A	+\$0
FG	felt glides	A	+\$24

# Percy Lounge Chair

NOPRC



## Product Information

### Description

This lounge chair is upholstered over a plywood inner structure and high-quality foam. The frame is constructed from laser-cut, machine-bent and welded steel tube finished in a hard-wearing polyester powder coat.

### Notes

Nominal dimensions rounded to the nearest 1/2 inch.

Type	Width	Depth	Height	Seat Ht.
10	27 1/2	30	28 1/2	17 1/2

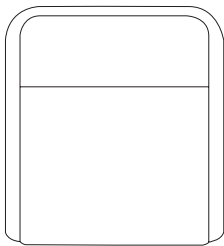
Customer's Own Material (COM) requires the following yardage:

Type	Total
10	2 1/2

Customer's Own Leather (COL) requires the following square feet:

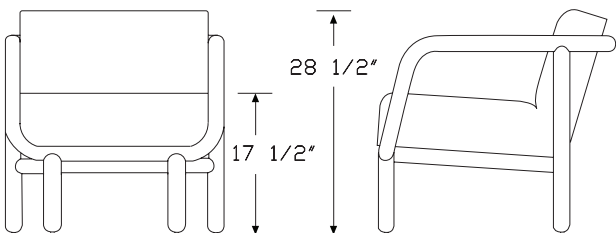
Type	Total
10	40

## Dimensions



27 1/2"

30"



28 1/2"

17 1/2"

## Specification Information

### Step 1.

**NOPRC**

### Step 2. Type

**10** lounge chair

### Prices for Steps 1-2.

**NOPRC 10** \$3608

### Step 3. Frame Finish

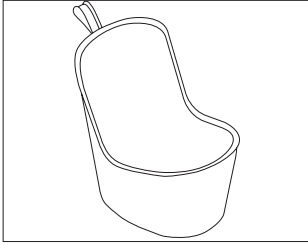
<b>R00</b>	black RAL 9005 <input type="checkbox"/>	+\$0
<b>R14</b>	signal white RAL9003 <input type="checkbox"/>	+\$0
<b>R02</b>	stone grey RAL 7030 <input type="checkbox"/>	+\$200
<b>R03</b>	silver - RAL 9006 <input type="checkbox"/>	+\$200
<b>R08</b>	traffic orange RAL 2009 <input type="checkbox"/>	+\$200
<b>R13</b>	pastel blue RAL 5024 <input type="checkbox"/>	+\$200
<b>R23</b>	black grey RAL 7021 <input type="checkbox"/>	+\$200
<b>R24</b>	leaf green RAL 6002 <input type="checkbox"/>	+\$200
<b>R25</b>	pale green RAL 6021 <input type="checkbox"/>	+\$200
<b>R26</b>	traffic red RAL 3020 <input type="checkbox"/>	+\$200
<b>R28</b>	light pink RAL 3015 <input type="checkbox"/>	+\$200
<b>R29</b>	dark blue RAL 5001 <input type="checkbox"/>	+\$200
<b>R30</b>	oyster RAL 1013 <input type="checkbox"/>	+\$200
<b>R38</b>	broom yellow RAL 1032 <input type="checkbox"/>	+\$200
<b>R39</b>	moss green RAL 6005 <input type="checkbox"/>	+\$200
<b>R40</b>	steel blue RAL 5011 <input type="checkbox"/>	+\$200

### Step 4. Fabric

Price Category (NaughtOne) 0 <input type="checkbox"/>	+\$0
Price Category (NaughtOne) 1	+\$0
Price Category (NaughtOne) 2	+\$143
Price Category (NaughtOne) 3	+\$286
Price Category (NaughtOne) 4	+\$429
Price Category (NaughtOne) 5	+\$715
Price Category (NaughtOne) 6	+\$1001
Price Category (NaughtOne) 7	+\$1287
Price Category (NaughtOne) 8	+\$1573

Pippin Lounge Chair

NOPIP



NaughtOne® Lounge Chairs

**Product Information**

**Description**

This lounge chair is upholstered over an engineered foam core. The textile cover is removable, and the foam is slotted over a plywood frame. Product is available with glides or casters and with or without a TPU strap handle.

**Notes**

Nominal dimensions rounded to the nearest 1/2 inch.

Type	Width	Depth	Height	Seat Ht.
10	21	30	30	15 1/2

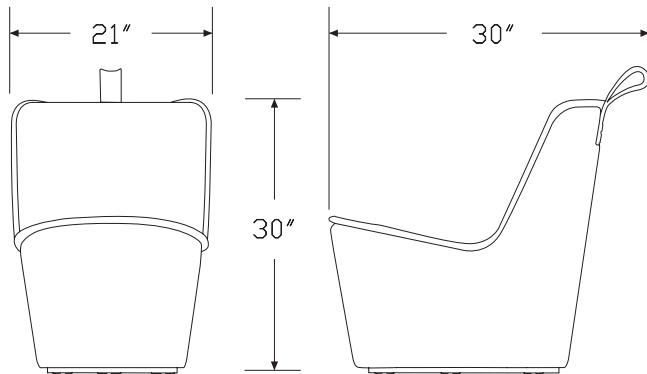
Customer's Own Material (COM) requires the following yardage:

Type	Total
10	2 1/2

Customer's Own Leather (COL) requires the following square feet:

Type	Total
10	40

**Dimensions**



**Specification Information**

**Step 1.**

**NOPIP**

**Step 2. Type**

**10** lounge chair

**Step 3. Base Type**

**GL** glides

**CS** casters

**Step 4. Strap Handle**

**N** no strap handle

**H** strap handle

**Prices for Steps 1-4.**

		N	H
<b>NOPIP</b>	<b>10 GL</b>	\$2496	2548
	<b>CS</b>	\$2704	2756

**Step 5. Handle Finish**

*For no strap handle (N)*

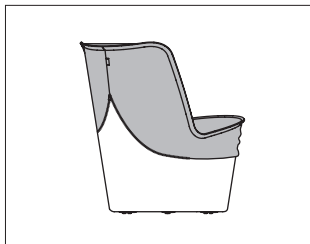
**N** no selection  +\$0

*For strap handle (H)*

<b>R08</b>	traffic orange RAL 2009 <input type="checkbox"/>	+\$0
<b>R13</b>	pastel blue RAL 5024 <input type="checkbox"/>	+\$0
<b>R23</b>	black grey RAL 7021 <input type="checkbox"/>	+\$0
<b>R25</b>	pale green RAL 6021 <input type="checkbox"/>	+\$0
<b>R28</b>	light pink RAL 3015 <input type="checkbox"/>	+\$0
<b>R30</b>	oyster RAL 1013 <input type="checkbox"/>	+\$0

**Step 6. Fabric**

Price Category (NaughtOne) 0 <input type="checkbox"/>	+\$0
Price Category (NaughtOne) 1	+\$0
Price Category (NaughtOne) 2	+\$130
Price Category (NaughtOne) 3	+\$260
Price Category (NaughtOne) 4	+\$390
Price Category (NaughtOne) 5	+\$650
Price Category (NaughtOne) 6	+\$910
Price Category (NaughtOne) 7	+\$1170



**Product Information**

**Description**

This replacement textile cover for the Pippin Lounge Chair can be used with or without a Pippin strap handle, ordered separately. Replacement instructions included.

**Notes**

Replacement textile cover for Pippin Lounge Chair (NOPIP10).

For guidance on how to correctly recover the product, see Pippin

Replacement Instructions provided with cover.

Customer's Own Material (COM) requires 2½ yards.

Customer's Own Leather (COL) requires 40 square feet.

**Specification Information**

**Step 1.**

**NOPIP**

**Step 2. Type**

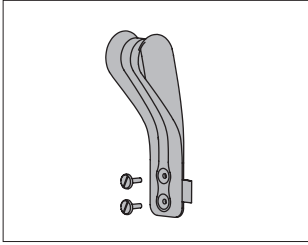
**CV** Replacement cover

**Prices for Steps 1-2.**

**NOPIP CV** \$936

**Step 3. Fabric**

Price Category (NaughtOne) 0	<input type="checkbox"/>	+\$0
Price Category (NaughtOne) 1		+\$0
Price Category (NaughtOne) 2		+\$130
Price Category (NaughtOne) 3		+\$260
Price Category (NaughtOne) 4		+\$390
Price Category (NaughtOne) 5		+\$650
Price Category (NaughtOne) 6		+\$910
Price Category (NaughtOne) 7		+\$1170



NaughtOne® Lounge Chairs

**Product Information**

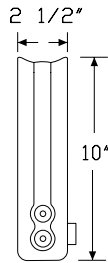
**Description**

This molded TPU replacement strap handle for the Pippin Lounge Chair can replace an existing strap handle or be added to an existing Pippin lounge chair. Required fasteners and replacement instructions included.

**Notes**

Replacement strap handle for Pippin Lounge Chair (NOPIP10).  
 Replacement strap handle can be added to a Pippin lounge chair that does not currently have a strap handle with no damage to the textile cover.  
 For guidance on how to correctly replace or add the strap handle, see Pippin Replacement Instructions provided with strap handle.

**Dimensions**



**Specification Information**

**Step 1.**

**NOPIP**

**Step 2. Type**

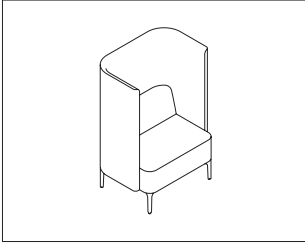
**SH** Replacement strap handle

**Prices for Steps 1-2.**

**NOPIP SH** \$83

**Step 3. Handle Finish**

<b>R08</b>	traffic orange RAL 2009 <input type="checkbox"/>	+\$0
<b>R13</b>	pastel blue RAL 5024 <input type="checkbox"/>	+\$0
<b>R23</b>	black grey RAL 7021 <input type="checkbox"/>	+\$0
<b>R25</b>	pale green RAL 6021 <input type="checkbox"/>	+\$0
<b>R28</b>	light pink RAL 3015 <input type="checkbox"/>	+\$0
<b>R30</b>	oyster RAL 1013 <input type="checkbox"/>	+\$0



**Product Information**

**Description**

The Pullman chair is upholstered over a plywood inner frame topped with high quality foams. Pullman can be upholstered in a single fabric or multiple fabrics. Legs are laser cut folded mild steel and solid wood. Chair can be specified with swivel or non-swivel plinth base. Tablet top is CNC cut from white melamine faced medium-density fiberboard or oak and walnut veneer.

**Notes**

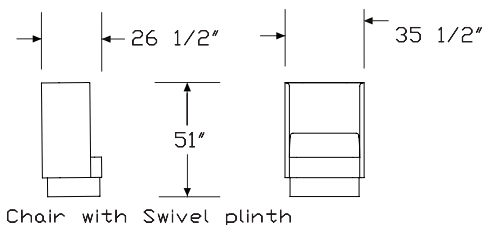
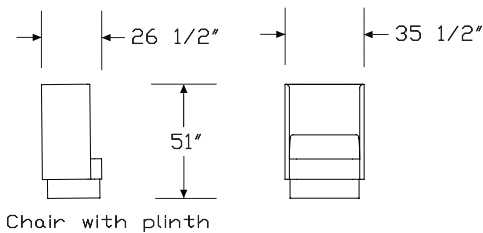
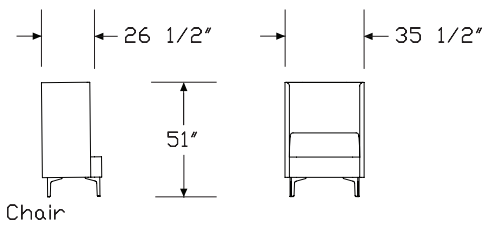
Customer's Own Material (COM) requires the following yardage:

Type	Total	Inner & Seat	Outer
4	9	3	6
5	11	5	6
6	11	5	6

Customer's Own Leather (COL) requires the following square feet:

Type	Total	Inner & Seat	Outer
4	144	48	96
5	176	80	96
6	176	80	96

**Dimensions**



**Specification Information**

**Step 1.**

**NOPUL**  A

**Step 2. Type**

- 4 chair  A
- 5 chair with plinth  A
- 6 chair with swivel plinth  A

**Step 3. Upholstery**

- 1 single fabric  A
- 2 multiple fabric  A

**Step 4. Power Access Cut-out**

*For chair (4) or chair with plinth (5)*

- OCS** no cut-out system  A
- WNDR** with node cut-out system (right hand side)  A

*For chair with swivel plinth (6)*

- OCS** no cut-out system  A

**Step 5. Tablet Arm Option**

*For chair (4), chair with plinth (5), or chair with swivel plinth (6)*

- 00** no tablet arm  A
- RB** black tablet arm to right side (users POV)  A
- RW** white tablet arm to right side (users POV)  A

**Prices for Steps 1-5.**

			OCS00	OCSRB	OCSRW	WNDR00	WNDRRB	WNDRRW
<b>NOPUL</b>	4	1	\$7569	8160	8160	8071	8664	8664
		2	\$7569	8160	8160	8071	8664	8664
	5	1	\$8509	9100	9100	9013	9604	9604
		2	\$8509	9100	9100	9013	9604	9604
	6	1	\$9091	9682	9682	—	—	—
		2	\$9091	9682	9682	—	—	—

Pullman Chair *continued*

NaughtOne® Lounge Chairs

Step 6. Base Finish

*For chair (4)*

R00	RAL 9005 black	A	+\$0
R02	RAL 7030 stone grey	A	+\$177
R03	RAL 9006 silver	A	+\$177
R08	RAL 2009 orange	A	+\$177
R13	RAL 5024 pastel blue	A	+\$177
R14	RAL 9003 white	A	+\$0
R23	RAL 7021 black grey	A	+\$177
R24	leaf green RAL 6002	A	+\$177
R25	RAL 6021 green	A	+\$177
R26	RAL 3020 red	A	+\$177
R28	RAL 3015 light pink	A	+\$177
R29	RAL 5001 blue	A	+\$177
R30	RAL 1013 oyster	A	+\$177
R38	broom yellow RAL 1032	A	+\$177
R39	moss green RAL 6005	A	+\$177
R40	steel blue RAL 5011	A	+\$177
OAK	oak	A	+\$714
WLN	walnut	A	+\$1243

Step 7. Surface Finish

*For chair (4), chair with plinth (5), or chair with swivel plinth (6) with black tablet arm to right side (users POV) (RB) or white tablet arm to right side (users POV) (RW)*

BRC	black MFMDf top with reverse chamfer edge	A	+\$0
WRC	white MFMDf top with reverse chamfer edge	A	+\$0
OAK	oak veneer top with reverse chamfer edge	A	+\$227
WLN	walnut veneer top with reverse chamfer edge	A	+\$227

Step 8. Fabric

*For chair (4) with single fabric (1)*

Price Category (NaughtOne) 1	+\$0
Price Category (NaughtOne) 2	+\$240
Price Category (NaughtOne) 3	+\$480
Price Category (NaughtOne) 4	+\$719
Price Category (NaughtOne) 5	+\$1199
Price Category (NaughtOne) 6	+\$1678
Price Category (NaughtOne) 7	+\$2158

*For chair with plinth (5) or chair with swivel plinth (6) with single fabric (1)*

Price Category (NaughtOne) 1	+\$0
Price Category (NaughtOne) 2	+\$254
Price Category (NaughtOne) 3	+\$505
Price Category (NaughtOne) 4	+\$759
Price Category (NaughtOne) 5	+\$1265
Price Category (NaughtOne) 6	+\$1771
Price Category (NaughtOne) 7	+\$2277

Step 9. Seat and Backrest Fabric

*For chair (4) with multiple fabric (2)*

Price Category (NaughtOne) 0	A	+\$0
Price Category (NaughtOne) 1		+\$0
Price Category (NaughtOne) 2		+\$66
Price Category (NaughtOne) 3		+\$131
Price Category (NaughtOne) 4		+\$198
Price Category (NaughtOne) 5		+\$331
Price Category (NaughtOne) 6		+\$463
Price Category (NaughtOne) 7		+\$594
Price Category (NaughtOne) 9		+\$857

*For chair with plinth (5) or chair with swivel plinth (6) with multiple fabric (2)*

Price Category (NaughtOne) 0	A	+\$0
Price Category (NaughtOne) 1		+\$0
Price Category (NaughtOne) 2		+\$71
Price Category (NaughtOne) 3		+\$138
Price Category (NaughtOne) 4		+\$209
Price Category (NaughtOne) 5		+\$349
Price Category (NaughtOne) 6		+\$488
Price Category (NaughtOne) 7		+\$626
Price Category (NaughtOne) 9		+\$905

Step 10. Outer Fabric

*For chair (4) with multiple fabric (2)*

Price Category (NaughtOne) 0	A	+\$0
Price Category (NaughtOne) 1		+\$0
Price Category (NaughtOne) 2		+\$175
Price Category (NaughtOne) 3		+\$349
Price Category (NaughtOne) 4		+\$521
Price Category (NaughtOne) 5		+\$868
Price Category (NaughtOne) 6		+\$1215
Price Category (NaughtOne) 7		+\$1564
Price Category (NaughtOne) 9		+\$2260



Pullman Chair *continued*

---

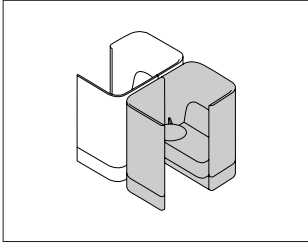
*For chair with plinth (5) or chair with swivel plinth (6) with multiple fabric (2)*

Price Category (NaughtOne) 0	<input type="checkbox"/> A	+\$0
Price Category (NaughtOne) 1		+\$0
Price Category (NaughtOne) 2		+\$184
Price Category (NaughtOne) 3		+\$367
Price Category (NaughtOne) 4		+\$551
Price Category (NaughtOne) 5		+\$916
Price Category (NaughtOne) 6		+\$1283
Price Category (NaughtOne) 7		+\$1650
Price Category (NaughtOne) 9		+\$2385

Step 11. Power Option

*For chair (4) or chair with plinth (5) with with node cut-out system (right hand side) (WNR)*

<b>ND1W</b>	node power unit with 1x power and 2x USB in white	<input type="checkbox"/> A	+\$349
<b>ND1B</b>	node power unit with 1x power and 2x USB in black	<input type="checkbox"/> A	+\$349
<b>ND2W</b>	node power unit with 2x power in white	<input type="checkbox"/> A	+\$427
<b>ND2B</b>	node power unit with 2x power in black	<input type="checkbox"/> A	+\$427



NaughtOne® Lounge Chairs

**Product Information**

**Description**

The Pullman chair pod is upholstered over a plywood inner frame topped with high quality foams. Pullman can be upholstered in a single fabric or multiple fabrics. Legs are laser cut folded mild steel and solid wood. Chair pod can also be specified with an upholstered plinth base. Tablet top is CNC cut from white or black melamine-faced medium-density fiberboard or oak and walnut veneer.

**Notes**

Nominal dimensions rounded to the nearest 1/2 inch.

Type	Width	Depth	Height	Seat Height
P4L	35 1/2	51	51	18
P4R	35 1/2	51	51	18
P5L	35 1/2	51	51	18
P5R	35 1/2	51	51	18

Customer's Own Material (COM) requires the following yardage:

Type	Total	Seat/Backrest	Outer (Upper)	Plinth
P4L	13.2	3	10.2	-
P4R	13.2	3	10.2	-
P5L	14.85	3	9.75	2.1
P5R	14.85	3	9.75	2.1

**Specification Information**

**Step 1.**

**NOPUL**

**Step 2. Type**

- P4L** chair pod on legs - screen left
- P4R** chair pod on legs - screen right
- P5L** chair pod on plinth - screen left
- P5R** chair pod on plinth - screen right

**Step 3. Upholstery**

*For chair pod on legs - screen left (P4L) or chair pod on legs - screen right (P4R)*

- 1** single fabric
- 2** multiple fabrics (seat and backrest / outer)

*For chair pod on plinth - screen left (P5L) or chair pod on plinth - screen right (P5R)*

- 1** single fabric
- 2** multiple fabrics (seat and backrest / outer)
- 3** multiple fabrics (seat, backrest and upper outer / plinth)

**Step 4. Power Access Cut-out**

- OCS** no cut-out system
- WND** with node cut-out system (same side of chair as screen)

**Step 5. Tablet Arm Option**

- 00** no tablet arm
- TB** black tablet arm (same side of chair as screen)
- TW** white tablet arm (same side of chair as screen)

**Prices for Steps 1-5.**

			OCS00	OCSTB	OCSTW	WND00	WNDTB	WNDTW
<b>NOPUL</b>	<b>P4L</b>	<b>1</b>	\$8442	9006	9006	8921	9485	9485
		<b>2</b>	\$8442	9006	9006	8921	9485	9485
	<b>P4R</b>	<b>1</b>	\$8442	9006	9006	8921	9485	9485
		<b>2</b>	\$8442	9006	9006	8921	9485	9485
	<b>P5L</b>	<b>1</b>	\$8887	9453	9453	9366	9932	9932
		<b>2</b>	\$8887	9453	9453	9366	9932	9932
		<b>3</b>	\$8887	9453	9453	9366	9932	9932
	<b>P5R</b>	<b>1</b>	\$8887	9453	9453	9366	9932	9932
		<b>2</b>	\$8887	9453	9453	9366	9932	9932
		<b>3</b>	\$8887	9453	9453	9366	9932	9932

**Step 6. Base Finish**  
*For chair pod on legs - screen left (P4L) or chair pod on legs - screen right (P4R)*

<b>R00</b>	RAL 9005 black [A]	+\$0
<b>R02</b>	RAL 7030 stone grey [A]	+\$264
<b>R03</b>	RAL 9006 silver [A]	+\$264
<b>R08</b>	RAL 2009 orange [A]	+\$264
<b>R13</b>	RAL 5024 pastel blue [A]	+\$264
<b>R14</b>	RAL 9003 white [A]	+\$0
<b>R23</b>	RAL 7021 black grey [A]	+\$264
<b>R24</b>	RAL 6002 leaf green [A]	+\$264
<b>R25</b>	RAL 6021 green [A]	+\$264
<b>R26</b>	RAL 3020 red [A]	+\$264
<b>R28</b>	RAL 3015 light pink [A]	+\$264
<b>R29</b>	RAL 5001 blue [A]	+\$264
<b>R30</b>	RAL 1013 oyster [A]	+\$264
<b>R38</b>	broom yellow RAL 1032 [A]	+\$264
<b>R39</b>	moss green RAL 6005 [A]	+\$264
<b>R40</b>	steel blue RAL 5011 [A]	+\$264
<b>OAK</b>	oak [A]	+\$846
<b>WLN</b>	walnut [A]	+\$1642

**Step 7. Surface Finish**  
*For chair pod on legs - screen left (P4L), chair pod on legs - screen right (P4R), chair pod on plinth - screen left (P5L), or chair pod on plinth - screen right (P5R) with black tablet arm (same side of chair as screen) (TB) or white tablet arm (same side of chair as screen) (TW)*

<b>BRC</b>	black MFMDf top with reverse chamfer edge [A]	+\$0
<b>WRC</b>	white MFMDf top with reverse chamfer edge [A]	+\$0
<b>OAK</b>	oak veneer top with reverse chamfer edge [A]	+\$227
<b>WLN</b>	walnut veneer top with reverse chamfer edge [A]	+\$227

**Step 8. Fabric**

*For chair pod on legs - screen left (P4L) or chair pod on legs - screen right (P4R) with single fabric (1)*

Price Category (NaughtOne) 0 [A]	+\$0
Price Category (NaughtOne) 1	+\$0
Price Category (NaughtOne) 2	+\$441
Price Category (NaughtOne) 3	+\$883
Price Category (NaughtOne) 4	+\$1326
Price Category (NaughtOne) 5	+\$2209
Price Category (NaughtOne) 6	+\$3093
Price Category (NaughtOne) 7	+\$3977
Price Category (NaughtOne) 9	+\$5745

*For chair pod on plinth - screen left (P5L) or chair pod on plinth - screen right (P5R) with single fabric (1)*

Price Category (NaughtOne) 0 [A]	+\$0
Price Category (NaughtOne) 1	+\$0
Price Category (NaughtOne) 2	+\$515
Price Category (NaughtOne) 3	+\$1030
Price Category (NaughtOne) 4	+\$1544
Price Category (NaughtOne) 5	+\$2574
Price Category (NaughtOne) 6	+\$3602
Price Category (NaughtOne) 7	+\$4629
Price Category (NaughtOne) 9	+\$6684

**Step 9. Seat and Backrest Fabric**

*For chair pod on legs - screen left (P4L) or chair pod on legs - screen right (P4R) with multiple fabrics (seat and backrest / outer) (2)*

Price Category (NaughtOne) 0 [A]	+\$0
Price Category (NaughtOne) 1	+\$0
Price Category (NaughtOne) 2	+\$88
Price Category (NaughtOne) 3	+\$177
Price Category (NaughtOne) 4	+\$265
Price Category (NaughtOne) 5	+\$442
Price Category (NaughtOne) 6	+\$619
Price Category (NaughtOne) 7	+\$796
Price Category (NaughtOne) 9	+\$1149

*For chair pod on plinth - screen left (P5L) or chair pod on plinth - screen right (P5R) with multiple fabrics (seat and backrest / outer) (2)*

Price Category (NaughtOne) 0 [A]	+\$0
Price Category (NaughtOne) 1	+\$0
Price Category (NaughtOne) 2	+\$88
Price Category (NaughtOne) 3	+\$179
Price Category (NaughtOne) 4	+\$268
Price Category (NaughtOne) 5	+\$446
Price Category (NaughtOne) 6	+\$625
Price Category (NaughtOne) 7	+\$803
Price Category (NaughtOne) 9	+\$1160

Step 10. Outer Fabric

*For chair pod on legs - screen left (P4L) or chair pod on legs - screen right (P4R) with multiple fabrics (seat and backrest / outer) (2)*

Price Category (NaughtOne) 0 <input type="checkbox"/>	+\$0
Price Category (NaughtOne) 1	+\$0
Price Category (NaughtOne) 2	+\$353
Price Category (NaughtOne) 3	+\$706
Price Category (NaughtOne) 4	+\$1061
Price Category (NaughtOne) 5	+\$1767
Price Category (NaughtOne) 6	+\$2474
Price Category (NaughtOne) 7	+\$3181
Price Category (NaughtOne) 9	+\$4596

*For chair pod on plinth - screen left (P5L) or chair pod on plinth - screen right (P5R) with multiple fabrics (seat and backrest / outer) (2)*

Price Category (NaughtOne) 0 <input type="checkbox"/>	+\$0
Price Category (NaughtOne) 1	+\$0
Price Category (NaughtOne) 2	+\$425
Price Category (NaughtOne) 3	+\$851
Price Category (NaughtOne) 4	+\$1276
Price Category (NaughtOne) 5	+\$2128
Price Category (NaughtOne) 6	+\$2976
Price Category (NaughtOne) 7	+\$3826
Price Category (NaughtOne) 9	+\$5524

Step 11. Seat, Backrest and Upper Outer Fabric

*For chair pod on plinth - screen left (P5L) or chair pod on plinth - screen right (P5R) with multiple fabrics (seat, backrest and upper outer / plinth) (3)*

Price Category (NaughtOne) 0 <input type="checkbox"/>	+\$0
Price Category (NaughtOne) 1	+\$0
Price Category (NaughtOne) 2	+\$442
Price Category (NaughtOne) 3	+\$884
Price Category (NaughtOne) 4	+\$1326
Price Category (NaughtOne) 5	+\$2210
Price Category (NaughtOne) 6	+\$3092
Price Category (NaughtOne) 7	+\$3975
Price Category (NaughtOne) 9	+\$5739

Step 12. Plinth Fabric

*For chair pod on plinth - screen left (P5L) or chair pod on plinth - screen right (P5R) with multiple fabrics (seat, backrest and upper outer / plinth) (3)*

Price Category (NaughtOne) 0 <input type="checkbox"/>	+\$0
Price Category (NaughtOne) 1	+\$0
Price Category (NaughtOne) 2	+\$73
Price Category (NaughtOne) 3	+\$146
Price Category (NaughtOne) 4	+\$218
Price Category (NaughtOne) 5	+\$364
Price Category (NaughtOne) 6	+\$510
Price Category (NaughtOne) 7	+\$654
Price Category (NaughtOne) 9	+\$945

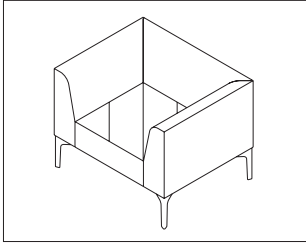
Step 13. Power Option

*For chair pod on legs - screen left (P4L), chair pod on legs - screen right (P4R), chair pod on plinth - screen left (P5L), or chair pod on plinth - screen right (P5R) with with node cut-out system (same side of chair as screen) (WND)*

<b>ND1B</b> node power unit with 1x power and 2x USB in black <input type="checkbox"/>	+\$349
<b>ND1W</b> node power unit with 1x power and 2x USB in white <input type="checkbox"/>	+\$349
<b>ND2B</b> node power unit with 2x power in black <input type="checkbox"/>	+\$427
<b>ND2W</b> node power unit with 2x power in white <input type="checkbox"/>	+\$427

# Hatch Single Seat

# NOHAN



### Product Information

#### Description

This chair is upholstered over a wood frame and high quality foam. Legs are available in steel with polyester powder coat or solid oak or walnut with a matte lacquer finish.

#### Notes

Nominal dimensions rounded to the nearest 1/2 inch.

Type	Width	Depth	Height	Seat Ht.
10	20	20	16	16
20	20	27	27	16
30	27	27	27	16
40	34½	27	27	16

Customer's Own Material (COM) requires the following yardage:

Type	Total	Back and Arms	Seat
10	2		
20	5	2	3
30	5	2	3
40	5	2	3

### Specification Information

#### Step 1.

**NOHAN1**

#### Step 2. Type

- 10 single seat bench
- 20 no arms
- 30 one arm corner
- 40 two arms

#### Step 3. Upholstery

*For single seat bench (10)*

- 1 single fabric

*For no arms (20), one arm corner (30), or two arms (40)*

- 1 single fabric
- 2 multiple fabric

#### Prices for Steps 1-3.

	1	2
<b>NOHAN1 10</b>	\$1917	—
<b>20</b>	\$3476	3476
<b>30</b>	\$4160	4160
<b>40</b>	\$4927	4927

#### Step 4. Base Finish

- R00** black RAL 9005  +\$0
- R02** stone grey RAL 7030  +\$137
- R03** silver - RAL 9006  +\$137
- R08** traffic orange RAL 2009  +\$137
- R26** RAL 3020 red  +\$137
- R13** pastel blue RAL 5024  +\$137
- R14** signal white RAL9003  +\$0
- R23** black grey RAL 7021  +\$137
- R24** leaf green RAL 6002  +\$137
- R25** pale green RAL 6021  +\$137
- R28** light pink RAL 3015  +\$137
- R29** dark blue RAL 5001  +\$137
- R30** oyster RAL 1013  +\$137
- OAK** oak  +\$600
- WLN** walnut  +\$600
- R38** broom yellow RAL 1032  +\$137
- R39** moss green RAL 6005  +\$137
- R40** steel blue RAL 5011  +\$137

# Hatch Single Seat *continued*

NaughtOne® Lounge Chairs

## Step 5. Fabric

<i>For single seat bench (10) with single fabric (1)</i>	
Price Category (NaughtOne) 0 <input type="checkbox"/> A	+\$0
Price Category (NaughtOne) 1	+\$0
Price Category (NaughtOne) 2	+\$71
Price Category (NaughtOne) 3	+\$139
Price Category (NaughtOne) 4	+\$208
Price Category (NaughtOne) 5	+\$347
Price Category (NaughtOne) 6	+\$485
Price Category (NaughtOne) 7	+\$838

<i>For no arms (20) with single fabric (1)</i>	
Price Category (NaughtOne) 0 <input type="checkbox"/> A	+\$0
Price Category (NaughtOne) 1	+\$0
Price Category (NaughtOne) 2	+\$92
Price Category (NaughtOne) 3	+\$184
Price Category (NaughtOne) 4	+\$278
Price Category (NaughtOne) 5	+\$461
Price Category (NaughtOne) 6	+\$645
Price Category (NaughtOne) 7	+\$978

<i>For one arm corner (30) with single fabric (1)</i>	
Price Category (NaughtOne) 0 <input type="checkbox"/> A	+\$0
Price Category (NaughtOne) 1	+\$0
Price Category (NaughtOne) 2	+\$139
Price Category (NaughtOne) 3	+\$278
Price Category (NaughtOne) 4	+\$416
Price Category (NaughtOne) 5	+\$692
Price Category (NaughtOne) 6	+\$968
Price Category (NaughtOne) 7	+\$1118

<i>For two arms (40) with single fabric (1)</i>	
Price Category (NaughtOne) 0 <input type="checkbox"/> A	+\$0
Price Category (NaughtOne) 1	+\$0
Price Category (NaughtOne) 2	+\$162
Price Category (NaughtOne) 3	+\$323
Price Category (NaughtOne) 4	+\$485
Price Category (NaughtOne) 5	+\$808
Price Category (NaughtOne) 6	+\$1129
Price Category (NaughtOne) 7	+\$1398

## Step 6. Back and Arm Fabric

<i>For no arms (20) with multiple fabric (2)</i>	
Price Category (NaughtOne) 0 <input type="checkbox"/> A	+\$0
Price Category (NaughtOne) 1	+\$0
Price Category (NaughtOne) 2	+\$36
Price Category (NaughtOne) 3	+\$74
Price Category (NaughtOne) 4	+\$111
Price Category (NaughtOne) 5	+\$184
Price Category (NaughtOne) 6	+\$258
Price Category (NaughtOne) 7	+\$978

<i>For one arm corner (30) with multiple fabric (2)</i>	
Price Category (NaughtOne) 0 <input type="checkbox"/> A	+\$0
Price Category (NaughtOne) 1	+\$0
Price Category (NaughtOne) 2	+\$80
Price Category (NaughtOne) 3	+\$158
Price Category (NaughtOne) 4	+\$238
Price Category (NaughtOne) 5	+\$396
Price Category (NaughtOne) 6	+\$554
Price Category (NaughtOne) 7	+\$1118

<i>For two arms (40) with multiple fabric (2)</i>	
Price Category (NaughtOne) 0 <input type="checkbox"/> A	+\$0
Price Category (NaughtOne) 1	+\$0
Price Category (NaughtOne) 2	+\$108
Price Category (NaughtOne) 3	+\$215
Price Category (NaughtOne) 4	+\$322
Price Category (NaughtOne) 5	+\$539
Price Category (NaughtOne) 6	+\$753
Price Category (NaughtOne) 7	+\$1398

## Step 7. Seat Fabric

<i>For no arms (20) with multiple fabric (2)</i>	
Price Category (NaughtOne) 0 <input type="checkbox"/> A	+\$0
Price Category (NaughtOne) 1	+\$0
Price Category (NaughtOne) 2	+\$237
Price Category (NaughtOne) 3	+\$345
Price Category (NaughtOne) 4	+\$448
Price Category (NaughtOne) 5	+\$649
Price Category (NaughtOne) 6	+\$852
Price Category (NaughtOne) 7	+\$978

## Hatch Single Seat *continued*

---

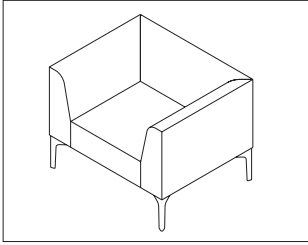
*For one arm corner (30) with multiple fabric (2)*

Price Category (NaughtOne) 0 <input type="checkbox"/>	+\$0
Price Category (NaughtOne) 1	+\$0
Price Category (NaughtOne) 2	+\$241
Price Category (NaughtOne) 3	+\$353
Price Category (NaughtOne) 4	+\$460
Price Category (NaughtOne) 5	+\$670
Price Category (NaughtOne) 6	+\$881
Price Category (NaughtOne) 7	+\$1118

---

*For two arms (40) with multiple fabric (2)*

Price Category (NaughtOne) 0 <input type="checkbox"/>	+\$0
Price Category (NaughtOne) 1	+\$0
Price Category (NaughtOne) 2	+\$236
Price Category (NaughtOne) 3	+\$343
Price Category (NaughtOne) 4	+\$443
Price Category (NaughtOne) 5	+\$642
Price Category (NaughtOne) 6	+\$841
Price Category (NaughtOne) 7	+\$1398



NaughtOne® Lounge Chairs

**Product Information**

**Description**

This chair is upholstered over a wood frame and high quality foam. Legs are available in steel with polyester powder coat or solid oak or walnut with a matte lacquer finish.

**Notes**

Nominal dimensions rounded to the nearest 1/2 inch.

Type	Width	Depth	Height	Seat Ht.
10	20	20	16	16
20	20	27	27	16
30	27	27	27	16
40	34 1/2	27	27	16
50	27	27	16	16

Customer's Own Material (COM) requires the following yardage:

Type	Total	Back and Arms	Seat
10	2		
20	5	2	2
30	5	2	3
40	5	3	2
50	3		

**Specification Information**

**Step 1.**

**NOSYN1**

**Step 2. Type**

- 10 single seat bench
- 20 no arms
- 30 one arm corner
- 40 two arms
- 50 quarter circle bench

**Step 3. Upholstery**

*For single seat bench (10) or quarter circle bench (50)*

- 1 single fabric

*For no arms (20), one arm corner (30), or two arms (40)*

- 1 single fabric
- 2 multiple fabric

**Prices for Steps 1-3.**

	1	2
<b>NOSYN1 10</b>	\$1793	—
20	\$3236	3236
30	\$3909	3909
40	\$4650	4650
50	\$2222	—

**Step 4. Base Finish**

- R02 stone grey RAL 7030  +\$137
- R03 silver - RAL 9006  +\$137
- R00 black RAL 9005  +\$0
- R08 traffic orange RAL 2009  +\$137
- R13 pastel blue RAL 5024  +\$137
- R14 signal white RAL9003  +\$0
- R23 black grey RAL 7021  +\$137
- R24 leaf green RAL 6002  +\$137
- R25 pale green RAL 6021  +\$137
- R26 RAL 3020 red  +\$137
- R28 light pink RAL 3015  +\$137
- R29 dark blue RAL 5001  +\$137
- R30 oyster RAL 1013  +\$137
- OAK oak  +\$600
- WAL walnut  +\$600
- R38 broom yellow RAL 1032  +\$137
- R39 moss green RAL 6005  +\$137
- R40 steel blue RAL 5011  +\$137



Symbol Single Seat *continued*

Step 5. Fabric

*For single seat bench (10) with single fabric (1)*

Price Category (NaughtOne) 0 <input type="checkbox"/>	+\$0
Price Category (NaughtOne) 1	+\$0
Price Category (NaughtOne) 2	+\$70
Price Category (NaughtOne) 3	+\$139
Price Category (NaughtOne) 4	+\$208
Price Category (NaughtOne) 5	+\$346
Price Category (NaughtOne) 6	+\$485
Price Category (NaughtOne) 7	+\$832

*For no arms (20) with single fabric (1)*

Price Category (NaughtOne) 0 <input type="checkbox"/>	+\$0
Price Category (NaughtOne) 1	+\$0
Price Category (NaughtOne) 2	+\$94
Price Category (NaughtOne) 3	+\$186
Price Category (NaughtOne) 4	+\$278
Price Category (NaughtOne) 5	+\$463
Price Category (NaughtOne) 6	+\$646
Price Category (NaughtOne) 7	+\$1244

*For one arm corner (30) with single fabric (1)*

Price Category (NaughtOne) 0 <input type="checkbox"/>	+\$0
Price Category (NaughtOne) 1	+\$0
Price Category (NaughtOne) 2	+\$138
Price Category (NaughtOne) 3	+\$278
Price Category (NaughtOne) 4	+\$415
Price Category (NaughtOne) 5	+\$691
Price Category (NaughtOne) 6	+\$967
Price Category (NaughtOne) 7	+\$1452

*For two arms (40) with single fabric (1)*

Price Category (NaughtOne) 0 <input type="checkbox"/>	+\$0
Price Category (NaughtOne) 1	+\$0
Price Category (NaughtOne) 2	+\$161
Price Category (NaughtOne) 3	+\$322
Price Category (NaughtOne) 4	+\$485
Price Category (NaughtOne) 5	+\$807
Price Category (NaughtOne) 6	+\$1129
Price Category (NaughtOne) 7	+\$830

*For quarter circle bench (50) with single fabric (1)*

Price Category (NaughtOne) 0 <input type="checkbox"/>	+\$0
Price Category (NaughtOne) 1	+\$0
Price Category (NaughtOne) 2	+\$90
Price Category (NaughtOne) 3	+\$183
Price Category (NaughtOne) 4	+\$276
Price Category (NaughtOne) 5	+\$463
Price Category (NaughtOne) 6	+\$647
Price Category (NaughtOne) 7	+\$831

Step 6. Back and Arm Fabric

*For no arms (20) with multiple fabric (2)*

Price Category (NaughtOne) 0 <input type="checkbox"/>	+\$10
Price Category (NaughtOne) 1	+\$10
Price Category (NaughtOne) 2	+\$37
Price Category (NaughtOne) 3	+\$75
Price Category (NaughtOne) 4	+\$111
Price Category (NaughtOne) 5	+\$185
Price Category (NaughtOne) 6	+\$258
Price Category (NaughtOne) 7	+\$333

*For one arm corner (30) with multiple fabric (2)*

Price Category (NaughtOne) 0 <input type="checkbox"/>	+\$10
Price Category (NaughtOne) 1	+\$10
Price Category (NaughtOne) 2	+\$79
Price Category (NaughtOne) 3	+\$158
Price Category (NaughtOne) 4	+\$238
Price Category (NaughtOne) 5	+\$395
Price Category (NaughtOne) 6	+\$554
Price Category (NaughtOne) 7	+\$710

*For two arms (40) with multiple fabric (2)*

Price Category (NaughtOne) 0 <input type="checkbox"/>	+\$64
Price Category (NaughtOne) 1	+\$64
Price Category (NaughtOne) 2	+\$107
Price Category (NaughtOne) 3	+\$215
Price Category (NaughtOne) 4	+\$322
Price Category (NaughtOne) 5	+\$538
Price Category (NaughtOne) 6	+\$753
Price Category (NaughtOne) 7	+\$967

Symbol Single Seat *continued*

NaughtOne® Lounge Chairs

Step 7. Seat Fabric

*For no arms (20) with multiple fabric (2)*

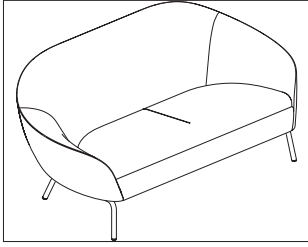
Price Category (NaughtOne) 0 <input type="checkbox"/> A	+\$54
Price Category (NaughtOne) 1	+\$141
Price Category (NaughtOne) 2	+\$238
Price Category (NaughtOne) 3	+\$346
Price Category (NaughtOne) 4	+\$448
Price Category (NaughtOne) 5	+\$650
Price Category (NaughtOne) 6	+\$853
Price Category (NaughtOne) 7	+\$639

*For one arm corner (30) with multiple fabric (2)*

Price Category (NaughtOne) 0 <input type="checkbox"/> A	+\$54
Price Category (NaughtOne) 1	+\$141
Price Category (NaughtOne) 2	+\$241
Price Category (NaughtOne) 3	+\$353
Price Category (NaughtOne) 4	+\$459
Price Category (NaughtOne) 5	+\$670
Price Category (NaughtOne) 6	+\$880
Price Category (NaughtOne) 7	+\$1090

*For two arms (40) with multiple fabric (2)*

Price Category (NaughtOne) 0 <input type="checkbox"/> A	+\$54
Price Category (NaughtOne) 1	+\$141
Price Category (NaughtOne) 2	+\$236
Price Category (NaughtOne) 3	+\$342
Price Category (NaughtOne) 4	+\$443
Price Category (NaughtOne) 5	+\$642
Price Category (NaughtOne) 6	+\$841
Price Category (NaughtOne) 7	+\$1041



**Product Information**

**Description**

This sofa is upholstered over an engineered foam core. The foam is slotted over a plywood and steel bracket frame. Legs are available in steel with polyester powder coat or bright chrome finishes, or machined solid wood.

**Notes**

Nominal dimensions rounded to the nearest 1/2 inch.

Type	Width	Depth	Height	Seat Ht.
20	66 1/2	31 1/2	30	16
30	91 1/2	31 1/2	30	16

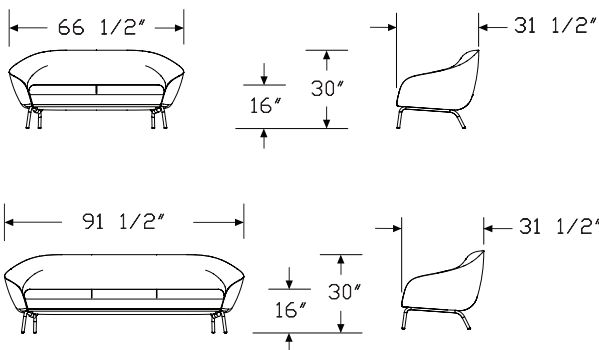
Customer's Own Material (COM) requires the following yardage:

Type	Total	Outer	Seat
20xx1	5 1/2	—	—
20xx2	—	4 1/4	2 1/4
30xx1	7	—	—
30xx2	—	5 1/4	3

Customer's Own Leather (COL) requires the following square feet:

Type	Total	Outer	Seat
20xx1	99	—	—
20xx2	—	76 1/2	40 1/2
30xx1	126	—	—
30xx2	—	94 1/2	54

**Dimensions**



**Specification Information**

**Step 1.**

**NOEVE** [A]

**Step 2. Type**

- 20** 2 seat sofa [A]
- 30** 3 seat sofa [A]

**Step 3. Base Type**

- ST** steel legs [A]
- WD** wooden legs [A]

**Step 4. Upholstery**

- 1** single fabric [A]
- 2** multiple fabric [A]

**Prices for Steps 1-4.**

	1	2
<b>NOEVE 20 ST</b>	\$5445	5445
<b>WD</b>	\$5445	5445
<b>30 ST</b>	\$6555	6555
<b>WD</b>	\$6555	6555

**Step 5. Base Finish**

*For 2 seat sofa (20) or 3 seat sofa (30) with steel legs (ST)*

<b>CHR</b> chrome [A]	+ \$86
<b>R00</b> black RAL 9005 [A]	+ \$0
<b>R02</b> stone grey RAL 7030 [A]	+ \$140
<b>R03</b> silver - RAL 9006 [A]	+ \$140
<b>R08</b> traffic orange RAL 2009 [A]	+ \$140
<b>R13</b> pastel blue RAL 5024 [A]	+ \$140
<b>R14</b> signal white RAL9003 [A]	+ \$0
<b>R23</b> black grey RAL 7021 [A]	+ \$140
<b>R24</b> leaf green RAL 6002 [A]	+ \$140
<b>R25</b> pale green RAL 6021 [A]	+ \$140
<b>R28</b> light pink RAL 3015 [A]	+ \$140
<b>R29</b> dark blue RAL 5001 [A]	+ \$140
<b>R30</b> oyster RAL 1013 [A]	+ \$140
<b>R26</b> RAL 3020 red [A]	+ \$140
<b>R38</b> broom yellow RAL 1032 [A]	+ \$140
<b>R39</b> moss green RAL 6005 [A]	+ \$140
<b>R40</b> steel blue RAL 5011 [A]	+ \$140

*For 2 seat sofa (20) or 3 seat sofa (30) with wooden legs (WD)*

<b>OAK</b> oak [A]	+ \$945
<b>WLN</b> walnut [A]	+ \$1304

Step 6. Fabric

*For 2 seat sofa (20) with single fabric (1)*

Price Category (NaughtOne) 0 <input type="checkbox"/>	+\$0
Price Category (NaughtOne) 1	+\$0
Price Category (NaughtOne) 2	+\$209
Price Category (NaughtOne) 3	+\$416
Price Category (NaughtOne) 4	+\$625
Price Category (NaughtOne) 5	+\$1038
Price Category (NaughtOne) 6	+\$1454
Price Category (NaughtOne) 7	+\$1870
Price Category (NaughtOne) 9	+\$2702

*For 3 seat sofa (30) with single fabric (1)*

Price Category (NaughtOne) 0 <input type="checkbox"/>	+\$0
Price Category (NaughtOne) 1	+\$0
Price Category (NaughtOne) 2	+\$262
Price Category (NaughtOne) 3	+\$523
Price Category (NaughtOne) 4	+\$783
Price Category (NaughtOne) 5	+\$1306
Price Category (NaughtOne) 6	+\$1827
Price Category (NaughtOne) 7	+\$2348
Price Category (NaughtOne) 9	+\$3390

Step 7. Outer Fabric

*For 2 seat sofa (20) with multiple fabric (2)*

Price Category (NaughtOne) 0 <input type="checkbox"/>	+\$0
Price Category (NaughtOne) 1	+\$0
Price Category (NaughtOne) 2	+\$0
Price Category (NaughtOne) 3	+\$0
Price Category (NaughtOne) 4	+\$0
Price Category (NaughtOne) 5	+\$0
Price Category (NaughtOne) 6	+\$0
Price Category (NaughtOne) 7	+\$0
Price Category (NaughtOne) 9	+\$0

*For 3 seat sofa (30) with multiple fabric (2)*

Price Category (NaughtOne) 0 <input type="checkbox"/>	+\$0
Price Category (NaughtOne) 1	+\$0
Price Category (NaughtOne) 2	+\$0
Price Category (NaughtOne) 3	+\$0
Price Category (NaughtOne) 4	+\$0
Price Category (NaughtOne) 5	+\$0
Price Category (NaughtOne) 6	+\$0
Price Category (NaughtOne) 7	+\$0
Price Category (NaughtOne) 9	+\$0

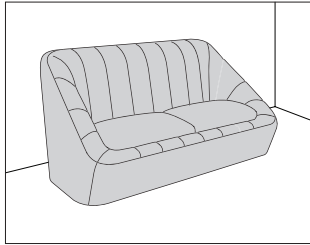
Step 8. Seat Fabric

*For 2 seat sofa (20) with multiple fabric (2)*

Price Category (NaughtOne) 0 <input type="checkbox"/>	+\$49
Price Category (NaughtOne) 1	+\$49
Price Category (NaughtOne) 2	+\$190
Price Category (NaughtOne) 3	+\$284
Price Category (NaughtOne) 4	+\$378
Price Category (NaughtOne) 5	+\$562
Price Category (NaughtOne) 6	+\$746
Price Category (NaughtOne) 7	+\$930
Price Category (NaughtOne) 9	+\$1297

*For 3 seat sofa (30) with multiple fabric (2)*

Price Category (NaughtOne) 0 <input type="checkbox"/>	+\$89
Price Category (NaughtOne) 1	+\$89
Price Category (NaughtOne) 2	+\$310
Price Category (NaughtOne) 3	+\$443
Price Category (NaughtOne) 4	+\$575
Price Category (NaughtOne) 5	+\$839
Price Category (NaughtOne) 6	+\$1104
Price Category (NaughtOne) 7	+\$1370
Price Category (NaughtOne) 9	+\$1899



**Product Information**

**Description**

This sofa has a wood frame and offers two-tone fabric for the outer and inner shell. It is available in 2-seat and 3-seat models.

**Notes**

Nominal dimensions rounded to the nearest 1/2 inch.

Type	Width	Depth	Height	Seat Ht.
2	65	34	35	18 1/2
3	88 1/2	34	35	18 1/2

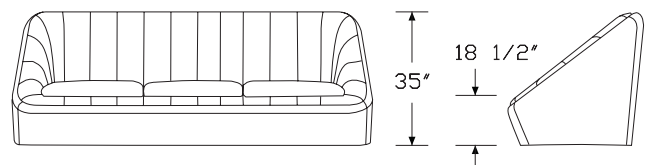
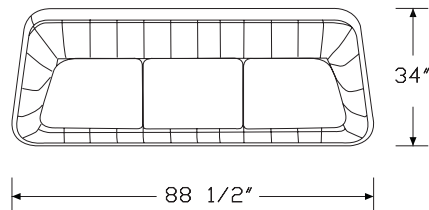
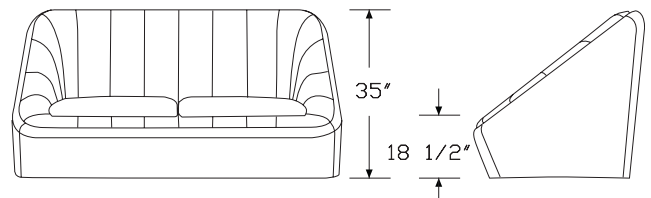
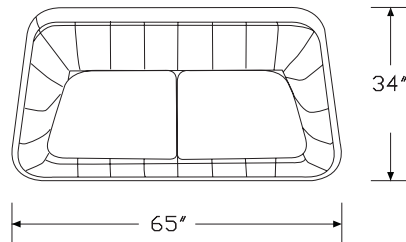
Customer's Own Material (COM) requires the following yardage:

Type	Total	Shell	Band	Seat
2	9	4		5
3	11	5		6

Customer's Own Leather (COL) requires the following square feet:

Type	Total	Shell	Band	Seat
2	144	64		80
3	176	80		96

**Dimensions**



NaughtOne® Sofa

**Specification Information**

Step 1.

**NOFJS**  A

Step 2. Base Type

**2** 2-Seat Sofa  A

**3** 3-Seat Sofa  A

Prices for Steps 1-2.

<b>NOFJS 2</b>	\$8169
<b>3</b>	\$10156

Step 3. Shell Band Fabric

*For 2-Seat Sofa (2)*

Price Category (NaughtOne) 0 <input type="checkbox"/> A	+\$0
Price Category (NaughtOne) 1	+\$0
Price Category (NaughtOne) 2	+\$153
Price Category (NaughtOne) 3	+\$307
Price Category (NaughtOne) 4	+\$460
Price Category (NaughtOne) 5	+\$764
Price Category (NaughtOne) 6	+\$1072
Price Category (NaughtOne) 7	+\$1379
Price Category (NaughtOne) 9	+\$1991

*For 3-Seat Sofa (3)*

Price Category (NaughtOne) 0 <input type="checkbox"/> A	+\$0
Price Category (NaughtOne) 1	+\$0
Price Category (NaughtOne) 2	+\$164
Price Category (NaughtOne) 3	+\$328
Price Category (NaughtOne) 4	+\$492
Price Category (NaughtOne) 5	+\$820
Price Category (NaughtOne) 6	+\$1147
Price Category (NaughtOne) 7	+\$1475
Price Category (NaughtOne) 9	+\$2131

Step 4. Seat Fabric

*For 2-Seat Sofa (2)*

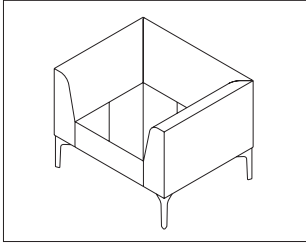
Price Category (NaughtOne) 0 <input type="checkbox"/> A	+\$0
Price Category (NaughtOne) 1	+\$0
Price Category (NaughtOne) 2	+\$175
Price Category (NaughtOne) 3	+\$350
Price Category (NaughtOne) 4	+\$525
Price Category (NaughtOne) 5	+\$876
Price Category (NaughtOne) 6	+\$1224
Price Category (NaughtOne) 7	+\$1575

*For 3-Seat Sofa (3)*

Price Category (NaughtOne) 0 <input type="checkbox"/> A	+\$0
Price Category (NaughtOne) 1	+\$0
Price Category (NaughtOne) 2	+\$234
Price Category (NaughtOne) 3	+\$468
Price Category (NaughtOne) 4	+\$703
Price Category (NaughtOne) 5	+\$1172
Price Category (NaughtOne) 6	+\$1640
Price Category (NaughtOne) 7	+\$2108

# Hatch Single Seat

NOHAN



## Product Information

### Description

This chair is upholstered over a wood frame and high quality foam. Legs are available in steel with polyester powder coat or solid oak or walnut with a matte lacquer finish.

### Notes

Nominal dimensions rounded to the nearest 1/2 inch.

Type	Width	Depth	Height	Seat Ht.
10	20	20	16	16
20	20	27	27	16
30	27	27	27	16
40	34½	27	27	16

Customer's Own Material (COM) requires the following yardage:

Type	Total	Back and Arms	Seat
10	2		
20	5	2	3
30	5	2	3
40	5	2	3

## Specification Information

### Step 1.

**NOHAN1**

### Step 2. Type

- 10 single seat bench
- 20 no arms
- 30 one arm corner
- 40 two arms

### Step 3. Upholstery

*For single seat bench (10)*

- 1 single fabric

*For no arms (20), one arm corner (30), or two arms (40)*

- 1 single fabric
- 2 multiple fabric

### Prices for Steps 1-3.

	1	2
<b>NOHAN1 10</b>	\$1917	—
20	\$3476	3476
30	\$4160	4160
40	\$4927	4927

### Step 4. Base Finish

- R00** black RAL 9005  +\$0
- R02** stone grey RAL 7030  +\$137
- R03** silver - RAL 9006  +\$137
- R08** traffic orange RAL 2009  +\$137
- R26** RAL 3020 red  +\$137
- R13** pastel blue RAL 5024  +\$137
- R14** signal white RAL9003  +\$0
- R23** black grey RAL 7021  +\$137
- R24** leaf green RAL 6002  +\$137
- R25** pale green RAL 6021  +\$137
- R28** light pink RAL 3015  +\$137
- R29** dark blue RAL 5001  +\$137
- R30** oyster RAL 1013  +\$137
- OAK** oak  +\$600
- WLN** walnut  +\$600
- R38** broom yellow RAL 1032  +\$137
- R39** moss green RAL 6005  +\$137
- R40** steel blue RAL 5011  +\$137

# Hatch Single Seat *continued*

NaughtOne® Sofa

## Step 5. Fabric

<i>For single seat bench (10) with single fabric (1)</i>	
Price Category (NaughtOne) 0 <input type="checkbox"/>	+\$0
Price Category (NaughtOne) 1	+\$0
Price Category (NaughtOne) 2	+\$71
Price Category (NaughtOne) 3	+\$139
Price Category (NaughtOne) 4	+\$208
Price Category (NaughtOne) 5	+\$347
Price Category (NaughtOne) 6	+\$485
Price Category (NaughtOne) 7	+\$838

<i>For no arms (20) with single fabric (1)</i>	
Price Category (NaughtOne) 0 <input type="checkbox"/>	+\$0
Price Category (NaughtOne) 1	+\$0
Price Category (NaughtOne) 2	+\$92
Price Category (NaughtOne) 3	+\$184
Price Category (NaughtOne) 4	+\$278
Price Category (NaughtOne) 5	+\$461
Price Category (NaughtOne) 6	+\$645
Price Category (NaughtOne) 7	+\$978

<i>For one arm corner (30) with single fabric (1)</i>	
Price Category (NaughtOne) 0 <input type="checkbox"/>	+\$0
Price Category (NaughtOne) 1	+\$0
Price Category (NaughtOne) 2	+\$139
Price Category (NaughtOne) 3	+\$278
Price Category (NaughtOne) 4	+\$416
Price Category (NaughtOne) 5	+\$692
Price Category (NaughtOne) 6	+\$968
Price Category (NaughtOne) 7	+\$1118

<i>For two arms (40) with single fabric (1)</i>	
Price Category (NaughtOne) 0 <input type="checkbox"/>	+\$0
Price Category (NaughtOne) 1	+\$0
Price Category (NaughtOne) 2	+\$162
Price Category (NaughtOne) 3	+\$323
Price Category (NaughtOne) 4	+\$485
Price Category (NaughtOne) 5	+\$808
Price Category (NaughtOne) 6	+\$1129
Price Category (NaughtOne) 7	+\$1398

## Step 6. Back and Arm Fabric

<i>For no arms (20) with multiple fabric (2)</i>	
Price Category (NaughtOne) 0 <input type="checkbox"/>	+\$0
Price Category (NaughtOne) 1	+\$0
Price Category (NaughtOne) 2	+\$36
Price Category (NaughtOne) 3	+\$74
Price Category (NaughtOne) 4	+\$111
Price Category (NaughtOne) 5	+\$184
Price Category (NaughtOne) 6	+\$258
Price Category (NaughtOne) 7	+\$978

<i>For one arm corner (30) with multiple fabric (2)</i>	
Price Category (NaughtOne) 0 <input type="checkbox"/>	+\$0
Price Category (NaughtOne) 1	+\$0
Price Category (NaughtOne) 2	+\$80
Price Category (NaughtOne) 3	+\$158
Price Category (NaughtOne) 4	+\$238
Price Category (NaughtOne) 5	+\$396
Price Category (NaughtOne) 6	+\$554
Price Category (NaughtOne) 7	+\$1118

<i>For two arms (40) with multiple fabric (2)</i>	
Price Category (NaughtOne) 0 <input type="checkbox"/>	+\$0
Price Category (NaughtOne) 1	+\$0
Price Category (NaughtOne) 2	+\$108
Price Category (NaughtOne) 3	+\$215
Price Category (NaughtOne) 4	+\$322
Price Category (NaughtOne) 5	+\$539
Price Category (NaughtOne) 6	+\$753
Price Category (NaughtOne) 7	+\$1398

## Step 7. Seat Fabric

<i>For no arms (20) with multiple fabric (2)</i>	
Price Category (NaughtOne) 0 <input type="checkbox"/>	+\$0
Price Category (NaughtOne) 1	+\$0
Price Category (NaughtOne) 2	+\$237
Price Category (NaughtOne) 3	+\$345
Price Category (NaughtOne) 4	+\$448
Price Category (NaughtOne) 5	+\$649
Price Category (NaughtOne) 6	+\$852
Price Category (NaughtOne) 7	+\$978



## Hatch Single Seat *continued*

---

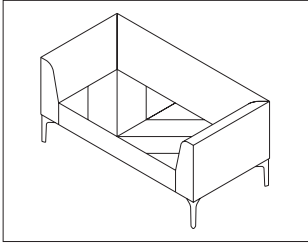
*For one arm corner (30) with multiple fabric (2)*

Price Category (NaughtOne) 0 <input type="checkbox"/>	+\$0
Price Category (NaughtOne) 1	+\$0
Price Category (NaughtOne) 2	+\$241
Price Category (NaughtOne) 3	+\$353
Price Category (NaughtOne) 4	+\$460
Price Category (NaughtOne) 5	+\$670
Price Category (NaughtOne) 6	+\$881
Price Category (NaughtOne) 7	+\$1118

---

*For two arms (40) with multiple fabric (2)*

Price Category (NaughtOne) 0 <input type="checkbox"/>	+\$0
Price Category (NaughtOne) 1	+\$0
Price Category (NaughtOne) 2	+\$236
Price Category (NaughtOne) 3	+\$343
Price Category (NaughtOne) 4	+\$443
Price Category (NaughtOne) 5	+\$642
Price Category (NaughtOne) 6	+\$841
Price Category (NaughtOne) 7	+\$1398



NaughtOne® Sofa

**Product Information**

**Description**

This 2-seat unit is upholstered over a wood frame and high quality foam. Legs are available in steel with polyester powder coat or solid oak or walnut with a matte lacquer finish.

**Notes**

Nominal dimensions rounded to the nearest 1/2 inch.

Type	Width	Depth	Height	Seat Ht.
10	40	20	16	16
20	40	27	27	16
30	47	27	27	16
40	47	27	27	16
50	54 1/2	27	27	16

Customer's Own Material (COM) requires the following yardage:

Type	Total	Back and Arms	Seat
10	4		
20	5	2	3
30	7	3	4
40	7	3	4
50	8	4	4

**Specification Information**

**Step 1.**

**NOHAN2**

**Step 2. Type**

- 10 two seat bench
- 20 no arms
- 30 right arm
- 40 left arm
- 50 two arms

**Step 3. Upholstery**

*For two seat bench (10)*

- 1 single fabric

*For no arms (20), right arm (30), left arm (40), or two arms (50)*

- 1 single fabric
- 2 multiple fabric

**Prices for Steps 1-3.**

	1	2
<b>NOHAN2 10</b>	\$3133	—
20	\$4774	4774
30	\$5450	5450
40	\$5450	5450
50	\$6210	6210

**Step 4. Base Finish**

<b>R00</b>	black RAL 9005 <input type="checkbox"/>	+\$0
<b>R02</b>	stone grey RAL 7030 <input type="checkbox"/>	+\$137
<b>R03</b>	silver - RAL 9006 <input type="checkbox"/>	+\$137
<b>R08</b>	traffic orange RAL 2009 <input type="checkbox"/>	+\$137
<b>R26</b>	RAL 3020 red <input type="checkbox"/>	+\$137
<b>R13</b>	pastel blue RAL 5024 <input type="checkbox"/>	+\$137
<b>R14</b>	signal white RAL9003 <input type="checkbox"/>	+\$0
<b>R23</b>	black grey RAL 7021 <input type="checkbox"/>	+\$137
<b>R24</b>	leaf green RAL 6002 <input type="checkbox"/>	+\$137
<b>R25</b>	pale green RAL 6021 <input type="checkbox"/>	+\$137
<b>R28</b>	light pink RAL 3015 <input type="checkbox"/>	+\$137
<b>R29</b>	dark blue RAL 5001 <input type="checkbox"/>	+\$137
<b>R30</b>	oyster RAL 1013 <input type="checkbox"/>	+\$137
<b>OAK</b>	oak <input type="checkbox"/>	+\$600
<b>WLN</b>	walnut <input type="checkbox"/>	+\$600
<b>R38</b>	broom yellow RAL 1032 <input type="checkbox"/>	+\$137
<b>R39</b>	moss green RAL 6005 <input type="checkbox"/>	+\$137
<b>R40</b>	steel blue RAL 5011 <input type="checkbox"/>	+\$137

## Hatch Two Seat *continued*

### Step 5. Fabric

#### *For two seat bench (10) with single fabric (1)*

Price Category (NaughtOne) 0 <input type="checkbox"/>	+\$0
Price Category (NaughtOne) 1	+\$0
Price Category (NaughtOne) 2	+\$94
Price Category (NaughtOne) 3	+\$186
Price Category (NaughtOne) 4	+\$278
Price Category (NaughtOne) 5	+\$463
Price Category (NaughtOne) 6	+\$646
Price Category (NaughtOne) 7	+\$781

#### *For no arms (20) with single fabric (1)*

Price Category (NaughtOne) 0 <input type="checkbox"/>	+\$0
Price Category (NaughtOne) 1	+\$0
Price Category (NaughtOne) 2	+\$115
Price Category (NaughtOne) 3	+\$231
Price Category (NaughtOne) 4	+\$346
Price Category (NaughtOne) 5	+\$576
Price Category (NaughtOne) 6	+\$807
Price Category (NaughtOne) 7	+\$999

#### *For right arm (30) with single fabric (1)*

Price Category (NaughtOne) 0 <input type="checkbox"/>	+\$0
Price Category (NaughtOne) 1	+\$0
Price Category (NaughtOne) 2	+\$138
Price Category (NaughtOne) 3	+\$278
Price Category (NaughtOne) 4	+\$415
Price Category (NaughtOne) 5	+\$691
Price Category (NaughtOne) 6	+\$967
Price Category (NaughtOne) 7	+\$1112

#### *For left arm (40) with single fabric (1)*

Price Category (NaughtOne) 0 <input type="checkbox"/>	+\$0
Price Category (NaughtOne) 1	+\$0
Price Category (NaughtOne) 2	+\$138
Price Category (NaughtOne) 3	+\$278
Price Category (NaughtOne) 4	+\$415
Price Category (NaughtOne) 5	+\$691
Price Category (NaughtOne) 6	+\$967
Price Category (NaughtOne) 7	+\$1112

#### *For two arms (50) with single fabric (1)*

Price Category (NaughtOne) 0 <input type="checkbox"/>	+\$0
Price Category (NaughtOne) 1	+\$0
Price Category (NaughtOne) 2	+\$185
Price Category (NaughtOne) 3	+\$368
Price Category (NaughtOne) 4	+\$555
Price Category (NaughtOne) 5	+\$922
Price Category (NaughtOne) 6	+\$1291
Price Category (NaughtOne) 7	+\$1478

### Step 6. Back and Arm Fabric

#### *For no arms (20) with multiple fabric (2)*

Price Category (NaughtOne) 0 <input type="checkbox"/>	+\$0
Price Category (NaughtOne) 1	+\$0
Price Category (NaughtOne) 2	+\$59
Price Category (NaughtOne) 3	+\$116
Price Category (NaughtOne) 4	+\$174
Price Category (NaughtOne) 5	+\$289
Price Category (NaughtOne) 6	+\$404
Price Category (NaughtOne) 7	+\$999

#### *For right arm (30) with multiple fabric (2)*

Price Category (NaughtOne) 0 <input type="checkbox"/>	+\$0
Price Category (NaughtOne) 1	+\$0
Price Category (NaughtOne) 2	+\$86
Price Category (NaughtOne) 3	+\$174
Price Category (NaughtOne) 4	+\$259
Price Category (NaughtOne) 5	+\$432
Price Category (NaughtOne) 6	+\$605
Price Category (NaughtOne) 7	+\$1112

#### *For left arm (40) with multiple fabric (2)*

Price Category (NaughtOne) 0 <input type="checkbox"/>	+\$0
Price Category (NaughtOne) 1	+\$0
Price Category (NaughtOne) 2	+\$86
Price Category (NaughtOne) 3	+\$174
Price Category (NaughtOne) 4	+\$259
Price Category (NaughtOne) 5	+\$432
Price Category (NaughtOne) 6	+\$605
Price Category (NaughtOne) 7	+\$1112

## Hatch Two Seat *continued*

---

*For two arms (50) with multiple fabric (2)*

Price Category (NaughtOne) 0 <input type="checkbox"/>	+\$0
Price Category (NaughtOne) 1	+\$0
Price Category (NaughtOne) 2	+\$144
Price Category (NaughtOne) 3	+\$287
Price Category (NaughtOne) 4	+\$431
Price Category (NaughtOne) 5	+\$718
Price Category (NaughtOne) 6	+\$1005
Price Category (NaughtOne) 7	+\$1478

---

*For two arms (50) with multiple fabric (2)*

Price Category (NaughtOne) 0 <input type="checkbox"/>	+\$0
Price Category (NaughtOne) 1	+\$0
Price Category (NaughtOne) 2	+\$442
Price Category (NaughtOne) 3	+\$580
Price Category (NaughtOne) 4	+\$722
Price Category (NaughtOne) 5	+\$1004
Price Category (NaughtOne) 6	+\$1289
Price Category (NaughtOne) 7	+\$1478

---

Step 7. Seat Fabric

---

*For no arms (20) with multiple fabric (2)*

Price Category (NaughtOne) 0 <input type="checkbox"/>	+\$0
Price Category (NaughtOne) 1	+\$0
Price Category (NaughtOne) 2	+\$459
Price Category (NaughtOne) 3	+\$615
Price Category (NaughtOne) 4	+\$772
Price Category (NaughtOne) 5	+\$1086
Price Category (NaughtOne) 6	+\$1405
Price Category (NaughtOne) 7	+\$999

---

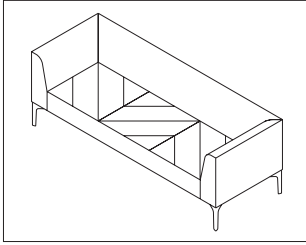
*For right arm (30) with multiple fabric (2)*

Price Category (NaughtOne) 0 <input type="checkbox"/>	+\$0
Price Category (NaughtOne) 1	+\$0
Price Category (NaughtOne) 2	+\$452
Price Category (NaughtOne) 3	+\$603
Price Category (NaughtOne) 4	+\$753
Price Category (NaughtOne) 5	+\$1058
Price Category (NaughtOne) 6	+\$1364
Price Category (NaughtOne) 7	+\$1112

---

*For left arm (40) with multiple fabric (2)*

Price Category (NaughtOne) 0 <input type="checkbox"/>	+\$0
Price Category (NaughtOne) 1	+\$0
Price Category (NaughtOne) 2	+\$452
Price Category (NaughtOne) 3	+\$603
Price Category (NaughtOne) 4	+\$753
Price Category (NaughtOne) 5	+\$1058
Price Category (NaughtOne) 6	+\$1364
Price Category (NaughtOne) 7	+\$1112



**Product Information**

**Description**

This 3-seat unit is upholstered over a wood frame and high quality foam. Legs are available in steel with polyester powder coat or solid oak or walnut with a matte lacquer finish.

**Notes**

Nominal dimensions rounded to the nearest 1/2 inch.

Type	Width	Depth	Height	Seat Ht.
10	60	20	16	16
20	60	27	27	16
30	67½	27	27	16
40	67½	27	27	16
50	74½	27	27	16

Customer's Own Material (COM) requires the following yardage:

Type	Total	Back and Arms	Seat
10	4		
20	7	3	4
30	8	4	4
40	8	4	4
50	8	4	4

**Specification Information**

**Step 1.**

**NOHAN3**

**Step 2. Type**

- 10 three seat bench
- 20 no arms
- 30 right arm
- 40 left arm
- 50 two arms

**Step 3. Upholstery**

*For three seat bench (10)*

- 1 single fabric

*For no arms (20), right arm (30), left arm (40), or two arms (50)*

- 1 single fabric
- 2 multiple fabric

**Prices for Steps 1-3.**

	1	2
<b>NOHAN3 10</b>	\$3962	—
20	\$6456	6456
30	\$7090	7090
40	\$7090	7090
50	\$7810	7810

**Step 4. Base Finish**

- R00** black RAL 9005  +\$0
- R02** stone grey RAL 7030  +\$137
- R03** silver - RAL 9006  +\$137
- R08** traffic orange RAL 2009  +\$137
- R26** RAL 3020 red  +\$137
- R13** pastel blue RAL 5024  +\$137
- R14** signal white RAL9003  +\$0
- R23** black grey RAL 7021  +\$137
- R24** leaf green RAL 6002  +\$137
- R25** pale green RAL 6021  +\$137
- R28** light pink RAL 3015  +\$137
- R29** dark blue RAL 5001  +\$137
- R30** oyster RAL 1013  +\$137
- OAK** oak  +\$600
- WLN** walnut  +\$600
- R38** broom yellow RAL 1032  +\$137
- R39** moss green RAL 6005  +\$137
- R40** steel blue RAL 5011  +\$137

# Hatch Three Seat *continued*

NaughtOne® Sofa

## Step 5. Fabric

<i>For three seat bench (10) with single fabric (1)</i>	
Price Category (NaughtOne) 0 <input type="checkbox"/>	+\$0
Price Category (NaughtOne) 1	+\$0
Price Category (NaughtOne) 2	+\$139
Price Category (NaughtOne) 3	+\$278
Price Category (NaughtOne) 4	+\$416
Price Category (NaughtOne) 5	+\$692
Price Category (NaughtOne) 6	+\$969
Price Category (NaughtOne) 7	+\$1393

<i>For no arms (20) with single fabric (1)</i>	
Price Category (NaughtOne) 0 <input type="checkbox"/>	+\$0
Price Category (NaughtOne) 1	+\$0
Price Category (NaughtOne) 2	+\$161
Price Category (NaughtOne) 3	+\$321
Price Category (NaughtOne) 4	+\$484
Price Category (NaughtOne) 5	+\$806
Price Category (NaughtOne) 6	+\$1129
Price Category (NaughtOne) 7	+\$1453

<i>For right arm (30) with single fabric (1)</i>	
Price Category (NaughtOne) 0 <input type="checkbox"/>	+\$0
Price Category (NaughtOne) 1	+\$0
Price Category (NaughtOne) 2	+\$186
Price Category (NaughtOne) 3	+\$369
Price Category (NaughtOne) 4	+\$555
Price Category (NaughtOne) 5	+\$924
Price Category (NaughtOne) 6	+\$1291
Price Category (NaughtOne) 7	+\$1658

<i>For left arm (40) with single fabric (1)</i>	
Price Category (NaughtOne) 0 <input type="checkbox"/>	+\$0
Price Category (NaughtOne) 1	+\$0
Price Category (NaughtOne) 2	+\$186
Price Category (NaughtOne) 3	+\$369
Price Category (NaughtOne) 4	+\$555
Price Category (NaughtOne) 5	+\$924
Price Category (NaughtOne) 6	+\$1291
Price Category (NaughtOne) 7	+\$1658

<i>For two arms (50) with single fabric (1)</i>	
Price Category (NaughtOne) 0 <input type="checkbox"/>	+\$0
Price Category (NaughtOne) 1	+\$0
Price Category (NaughtOne) 2	+\$231
Price Category (NaughtOne) 3	+\$461
Price Category (NaughtOne) 4	+\$692
Price Category (NaughtOne) 5	+\$1153
Price Category (NaughtOne) 6	+\$1613
Price Category (NaughtOne) 7	+\$2073

## Step 6. Back and Arm Fabric

<i>For no arms (20) with multiple fabric (2)</i>	
Price Category (NaughtOne) 0 <input type="checkbox"/>	+\$0
Price Category (NaughtOne) 1	+\$0
Price Category (NaughtOne) 2	+\$81
Price Category (NaughtOne) 3	+\$161
Price Category (NaughtOne) 4	+\$242
Price Category (NaughtOne) 5	+\$404
Price Category (NaughtOne) 6	+\$566
Price Category (NaughtOne) 7	+\$727

<i>For right arm (30) with multiple fabric (2)</i>	
Price Category (NaughtOne) 0 <input type="checkbox"/>	+\$0
Price Category (NaughtOne) 1	+\$0
Price Category (NaughtOne) 2	+\$112
Price Category (NaughtOne) 3	+\$223
Price Category (NaughtOne) 4	+\$333
Price Category (NaughtOne) 5	+\$555
Price Category (NaughtOne) 6	+\$776
Price Category (NaughtOne) 7	+\$995

<i>For left arm (40) with multiple fabric (2)</i>	
Price Category (NaughtOne) 0 <input type="checkbox"/>	+\$0
Price Category (NaughtOne) 1	+\$0
Price Category (NaughtOne) 2	+\$112
Price Category (NaughtOne) 3	+\$223
Price Category (NaughtOne) 4	+\$333
Price Category (NaughtOne) 5	+\$555
Price Category (NaughtOne) 6	+\$776
Price Category (NaughtOne) 7	+\$995

## Hatch Three Seat *continued*

---

### *For two arms (50) with multiple fabric (2)*

Price Category (NaughtOne) 0 <input type="checkbox"/>	+\$0
Price Category (NaughtOne) 1	+\$0
Price Category (NaughtOne) 2	+\$147
Price Category (NaughtOne) 3	+\$293
Price Category (NaughtOne) 4	+\$441
Price Category (NaughtOne) 5	+\$734
Price Category (NaughtOne) 6	+\$1026
Price Category (NaughtOne) 7	+\$1320

---

### Step 7. Seat Fabric

---

### *For no arms (20) with multiple fabric (2)*

Price Category (NaughtOne) 0 <input type="checkbox"/>	+\$0
Price Category (NaughtOne) 1	+\$0
Price Category (NaughtOne) 2	+\$543
Price Category (NaughtOne) 3	+\$717
Price Category (NaughtOne) 4	+\$933
Price Category (NaughtOne) 5	+\$1325
Price Category (NaughtOne) 6	+\$1715
Price Category (NaughtOne) 7	+\$2105

---

### *For right arm (30) with multiple fabric (2)*

Price Category (NaughtOne) 0 <input type="checkbox"/>	+\$0
Price Category (NaughtOne) 1	+\$0
Price Category (NaughtOne) 2	+\$537
Price Category (NaughtOne) 3	+\$703
Price Category (NaughtOne) 4	+\$913
Price Category (NaughtOne) 5	+\$1291
Price Category (NaughtOne) 6	+\$1666
Price Category (NaughtOne) 7	+\$2042

---

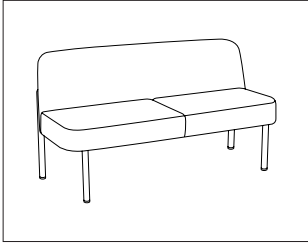
### *For left arm (40) with multiple fabric (2)*

Price Category (NaughtOne) 0 <input type="checkbox"/>	+\$0
Price Category (NaughtOne) 1	+\$0
Price Category (NaughtOne) 2	+\$537
Price Category (NaughtOne) 3	+\$703
Price Category (NaughtOne) 4	+\$913
Price Category (NaughtOne) 5	+\$1291
Price Category (NaughtOne) 6	+\$1666
Price Category (NaughtOne) 7	+\$2042

---

### *For two arms (50) with multiple fabric (2)*

Price Category (NaughtOne) 0 <input type="checkbox"/>	+\$0
Price Category (NaughtOne) 1	+\$0
Price Category (NaughtOne) 2	+\$546
Price Category (NaughtOne) 3	+\$723
Price Category (NaughtOne) 4	+\$942
Price Category (NaughtOne) 5	+\$1342
Price Category (NaughtOne) 6	+\$1737
Price Category (NaughtOne) 7	+\$2133



NaughtOne® Sofa

**Product Information**

**Description**

This sofa is upholstered over a machined plywood inner frame topped with high quality foams. It can be upholstered in a single fabric or multiple fabrics. The laser-cut, CNC-bent and welded steel frame is available in a choice of RAL colors.

**Notes**

Nominal dimensions rounded to the nearest 1/2 inch.

Type	Width	Depth	Height	Seat Ht.
20	55	25	29 1/2	17 1/2
25	55	25	41 1/2	29 1/2

Customer's Own Material (COM) requires the following yardage:

Type	Total	Back/Screen	Seat
20	5 1/4	3 1/4	2
25	5 1/4	3 1/4	2

Customer's Own Leather (COL) requires the following square feet:

Type	Total	Back/Screen	Seat
20	62	32	30
25	62	32	30

**Specification Information**

**Step 1.**

**NOHES2**

**Step 2. Type**

- 20** standard height no arms
- 25** bar height no arms

**Step 3. Upholstery**

- 1** single fabric
- 2** multiple fabric

**Prices for Steps 1-3.**

	1	2
<b>NOHES2 20</b>	\$6142	6142
<b>25</b>	\$6237	6237

**Step 4. Base Finish**

<b>R00</b> RAL 9005 black <input type="checkbox"/>	+\$0
<b>R02</b> RAL 7030 stone grey <input type="checkbox"/>	+\$280
<b>R03</b> RAL 9006 silver <input type="checkbox"/>	+\$280
<b>R08</b> RAL 2009 orange <input type="checkbox"/>	+\$280
<b>R13</b> RAL 5024 pastel blue <input type="checkbox"/>	+\$280
<b>R14</b> RAL 9003 white <input type="checkbox"/>	+\$0
<b>R23</b> RAL 7021 black grey <input type="checkbox"/>	+\$280
<b>R24</b> leaf green RAL 6002 <input type="checkbox"/>	+\$280
<b>R25</b> RAL 6021 green <input type="checkbox"/>	+\$280
<b>R26</b> RAL 3020 red <input type="checkbox"/>	+\$280
<b>R28</b> RAL 3015 light pink <input type="checkbox"/>	+\$280
<b>R29</b> RAL 5001 blue <input type="checkbox"/>	+\$280
<b>R30</b> RAL 1013 oyster <input type="checkbox"/>	+\$280
<b>R38</b> broom yellow RAL 1032 <input type="checkbox"/>	+\$280
<b>R39</b> moss green RAL 6005 <input type="checkbox"/>	+\$280
<b>R40</b> steel blue RAL 5011 <input type="checkbox"/>	+\$280

**Step 5. Fabric**

*For standard height no arms (20) with single fabric (1)*

Price Category (NaughtOne) 0 <input type="checkbox"/>	+\$0
Price Category (NaughtOne) 1	+\$0
Price Category (NaughtOne) 2	+\$99
Price Category (NaughtOne) 3	+\$198
Price Category (NaughtOne) 4	+\$294
Price Category (NaughtOne) 5	+\$493
Price Category (NaughtOne) 6	+\$688
Price Category (NaughtOne) 7	+\$884
Price Category (NaughtOne) 9	+\$1275



Hue 2 Seat Sofa *continued*

*For bar height no arms (25) with single fabric (1)*

Price Category (NaughtOne) 0 <input type="checkbox"/>	+\$0
Price Category (NaughtOne) 1	+\$0
Price Category (NaughtOne) 2	+\$99
Price Category (NaughtOne) 3	+\$196
Price Category (NaughtOne) 4	+\$294
Price Category (NaughtOne) 5	+\$491
Price Category (NaughtOne) 6	+\$686
Price Category (NaughtOne) 7	+\$882
Price Category (NaughtOne) 9	+\$1273

Step 6. Back Fabric

*For standard height no arms (20) with multiple fabric (2)*

Price Category (NaughtOne) 0 <input type="checkbox"/>	+\$0
Price Category (NaughtOne) 1	+\$0
Price Category (NaughtOne) 2	+\$42
Price Category (NaughtOne) 3	+\$83
Price Category (NaughtOne) 4	+\$124
Price Category (NaughtOne) 5	+\$208
Price Category (NaughtOne) 6	+\$290
Price Category (NaughtOne) 7	+\$372
Price Category (NaughtOne) 9	+\$537

*For bar height no arms (25) with multiple fabric (2)*

Price Category (NaughtOne) 0 <input type="checkbox"/>	+\$0
Price Category (NaughtOne) 1	+\$0
Price Category (NaughtOne) 2	+\$42
Price Category (NaughtOne) 3	+\$82
Price Category (NaughtOne) 4	+\$124
Price Category (NaughtOne) 5	+\$207
Price Category (NaughtOne) 6	+\$289
Price Category (NaughtOne) 7	+\$371
Price Category (NaughtOne) 9	+\$536

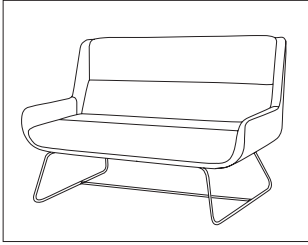
Step 7. Seat Fabric

*For standard height no arms (20) with multiple fabric (2)*

Price Category (NaughtOne) 0 <input type="checkbox"/>	+\$0
Price Category (NaughtOne) 1	+\$88
Price Category (NaughtOne) 2	+\$176
Price Category (NaughtOne) 3	+\$260
Price Category (NaughtOne) 4	+\$344
Price Category (NaughtOne) 5	+\$518
Price Category (NaughtOne) 6	+\$688
Price Category (NaughtOne) 7	+\$862

*For bar height no arms (25) with multiple fabric (2)*

Price Category (NaughtOne) 0 <input type="checkbox"/>	+\$0
Price Category (NaughtOne) 1	+\$88
Price Category (NaughtOne) 2	+\$176
Price Category (NaughtOne) 3	+\$259
Price Category (NaughtOne) 4	+\$344
Price Category (NaughtOne) 5	+\$517
Price Category (NaughtOne) 6	+\$687
Price Category (NaughtOne) 7	+\$861



NaughtOne® Sofa

**Product Information**

**Description**

This upholstered low back 2-seat sofa is constructed with a molded plywood inner frame topped with high quality foam. Bases are available in solid oak, chromed mild steel, brushed stainless steel, or a hard-wearing polyester powder coat.

**Notes**

Nominal dimensions rounded to the nearest 1/2 inch.

Type	Width	Depth	Height	Seat Ht.
2	53	30	34 1/2	17
3	53	30	34 1/2	17

Customer's Own Material (COM) requires the following yardage:

Type	Total	Inner	Outer
2, 3	5	3	2 1/2

Customer's Own Leather (COL) requires the following square feet:

Type	Total	Inner	Outer
2, 3	76	44	49

**Specification Information**

**Step 1.**

**NOHUN12** [A]

**Step 2. Base Type**

- 2 sled base [A]
- 3 wooden legs [A]

**Prices for Steps 1-2.**

<b>NOHUN12 2</b>	\$7482
<b>3</b>	\$8034

**Step 3. Base Finish**

*For wooden legs (3)*

<b>OAK</b> oak	+\$0
<b>WLN</b> walnut [A]	+\$0

*For sled base (2)*

<b>CHR</b> chrome	+\$0
<b>R00</b> black RAL 9005	+\$0
<b>R02</b> stone grey RAL 7030	+\$140
<b>R03</b> silver - RAL 9006	+\$140
<b>R26</b> RAL 3020 red	+\$140
<b>R08</b> traffic orange RAL 2009	+\$140
<b>R13</b> pastel blue RAL 5024	+\$140
<b>R14</b> signal white RAL9003	+\$0
<b>R23</b> black grey RAL 7021	+\$140
<b>R24</b> leaf green RAL 6002	+\$140
<b>R25</b> pale green RAL 6021	+\$140
<b>R28</b> light pink RAL 3015	+\$140
<b>R29</b> dark blue RAL 5001	+\$140
<b>R30</b> oyster RAL 1013 [A]	+\$140
<b>R38</b> broom yellow RAL 1032 [A]	+\$140
<b>R39</b> moss green RAL 6005 [A]	+\$140
<b>R40</b> steel blue RAL 5011 [A]	+\$140

# Hush Low Back Two Seat Sofa

continued

## Step 4. Internal Fabric

### For wooden legs (3)

Price Category (NaughtOne) 0	<input type="checkbox"/> A	-\$365
Price Category (NaughtOne) 1		+\$0
Price Category (NaughtOne) 2		+\$178
Price Category (NaughtOne) 3		+\$373
Price Category (NaughtOne) 4		+\$546
Price Category (NaughtOne) 5		+\$914
Price Category (NaughtOne) 6		+\$1266
Price Category (NaughtOne) 7		+\$1617

### For sled base (2)

Price Category (NaughtOne) 0	<input type="checkbox"/> A	-\$365
Price Category (NaughtOne) 1		+\$0
Price Category (NaughtOne) 2		+\$178
Price Category (NaughtOne) 3		+\$373
Price Category (NaughtOne) 4		+\$546
Price Category (NaughtOne) 5		+\$914
Price Category (NaughtOne) 6		+\$1266
Price Category (NaughtOne) 7		+\$1617

## Step 5. External Fabric

### For wooden legs (3)

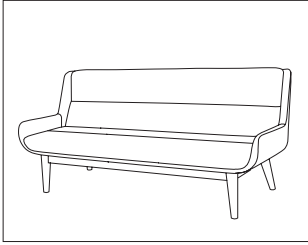
Price Category (NaughtOne) 0	<input type="checkbox"/> A	-\$365
Price Category (NaughtOne) 1		+\$0
Price Category (NaughtOne) 2		+\$178
Price Category (NaughtOne) 3		+\$373
Price Category (NaughtOne) 4		+\$546
Price Category (NaughtOne) 5		+\$914
Price Category (NaughtOne) 6		+\$1266
Price Category (NaughtOne) 7		+\$1617

### For sled base (2)

Price Category (NaughtOne) 0	<input type="checkbox"/> A	-\$365
Price Category (NaughtOne) 1		+\$0
Price Category (NaughtOne) 2		+\$178
Price Category (NaughtOne) 3		+\$373
Price Category (NaughtOne) 4		+\$546
Price Category (NaughtOne) 5		+\$914
Price Category (NaughtOne) 6		+\$1266
Price Category (NaughtOne) 7		+\$1617

## Step 6. Glide Option

<b>FG</b>	felt glides <input type="checkbox"/> A	+\$24
<b>PG</b>	plastic glides <input type="checkbox"/> A	+\$0



NaughtOne® Sofa

**Product Information**

**Description**  
 This upholstered low back 3-seat sofa is constructed with a molded plywood inner frame topped with high quality foam. Bases are available in solid oak, chromed mild steel, brushed stainless steel, or a hard-wearing polyester powder coat.

**Notes**

Nominal dimensions rounded to the nearest 1/2 inch.

Type	Width	Depth	Height	Seat Ht.
3	79	30	34 1/2	17

Customer's Own Material (COM) requires the following yardage:

Type	Total	Inner	Outer
3	8	5	3 1/2

Customer's Own Leather (COL) requires the following square feet:

Type	Total	Inner	Outer
3	103	54	70

**Specification Information**

**Step 1.**

**NOHUN13**  A

**Step 2. Base Type**

**3** wooden legs  A

**Prices for Steps 1-2.**

**NOHUN13 3** \$10837

**Step 3. Base Finish**

**OAK** oak  A +\$0  
**WLN** walnut  A +\$0

**Step 4. Internal Fabric**

Price Category (NaughtOne) 0  A -\$661  
 Price Category (NaughtOne) 1 +\$0  
 Price Category (NaughtOne) 2 +\$212  
 Price Category (NaughtOne) 3 +\$412  
 Price Category (NaughtOne) 4 +\$620  
 Price Category (NaughtOne) 5 +\$1032  
 Price Category (NaughtOne) 6 +\$2063  
 Price Category (NaughtOne) 7 +\$2874

**Step 5. External Fabric**

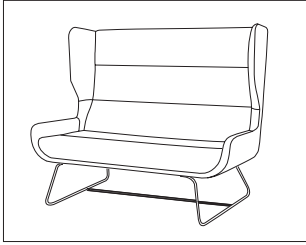
Price Category (NaughtOne) 0  A -\$413  
 Price Category (NaughtOne) 1 +\$0  
 Price Category (NaughtOne) 2 +\$133  
 Price Category (NaughtOne) 3 +\$257  
 Price Category (NaughtOne) 4 +\$389  
 Price Category (NaughtOne) 5 +\$645  
 Price Category (NaughtOne) 6 +\$1290  
 Price Category (NaughtOne) 7 +\$2155

**Step 6. Glide Option**

**FG** felt glides  A +\$24  
**PG** plastic glides  A +\$0

# Hush Two Seat Sofa

# NOHUN



### Product Information

#### Description

This upholstered 2-seat sofa is constructed with a molded plywood inner frame topped with high quality foam. Bases are available in solid oak, chromed mild steel, brushed stainless steel, or a hard-wearing polyester powder coat.

#### Notes

Nominal dimensions rounded to the nearest 1/2 inch.

Type	Width	Depth	Height	Seat Ht.
2	53	32	45 1/2	17
3	53	32	45 1/2	17

Customer's Own Material (COM) requires the following yardage:

Type	Total	Inner	Outer
2, 3	6 1/2	3 1/2	3 1/2

Customer's Own Leather (COL) requires the following square feet:

Type	Total	Inner	Outer
2, 3	97	49	54

### Specification Information

#### Step 1.

**NOHUN22**

#### Step 2. Base Type

- 2 sled base
- 3 wooden legs

#### Prices for Steps 1-2.

<b>NOHUN22</b>	<b>2</b>	\$9068
	<b>3</b>	\$9771

#### Step 3. Base Finish

##### For sled base (2)

<b>CHR</b>	chrome	+\$0
<b>R00</b>	black RAL 9005	+\$0
<b>R02</b>	stone grey RAL 7030	+\$140
<b>R03</b>	silver - RAL 9006	+\$140
<b>R26</b>	RAL 3020 red	+\$140
<b>R08</b>	traffic orange RAL 2009	+\$140
<b>R13</b>	pastel blue RAL 5024	+\$140
<b>R14</b>	signal white RAL9003	+\$0
<b>R23</b>	black grey RAL 7021	+\$140
<b>R24</b>	leaf green RAL 6002	+\$140
<b>R25</b>	pale green RAL 6021	+\$140
<b>R28</b>	light pink RAL 3015	+\$140
<b>R29</b>	dark blue RAL 5001	+\$140
<b>R30</b>	oyster RAL 1013 <input type="checkbox"/>	+\$140
<b>R38</b>	broom yellow RAL 1032 <input type="checkbox"/>	+\$140
<b>R39</b>	moss green RAL 6005 <input type="checkbox"/>	+\$140
<b>R40</b>	steel blue RAL 5011 <input type="checkbox"/>	+\$140

##### For wooden legs (3)

<b>OAK</b>	oak	+\$0
<b>WLN</b>	walnut <input type="checkbox"/>	+\$0

# Hush Two Seat Sofa *continued*

NaughtOne® Sofa

## Step 4. Internal Fabric

### For sled base (2)

Price Category (NaughtOne) 0	<input type="checkbox"/> A	-\$517
Price Category (NaughtOne) 1		+\$0
Price Category (NaughtOne) 2		+\$261
Price Category (NaughtOne) 3		+\$514
Price Category (NaughtOne) 4		+\$773
Price Category (NaughtOne) 5		+\$1291
Price Category (NaughtOne) 6		+\$1802
Price Category (NaughtOne) 7		+\$0

### For wooden legs (3)

Price Category (NaughtOne) 0	<input type="checkbox"/> A	-\$517
Price Category (NaughtOne) 1		+\$0
Price Category (NaughtOne) 2		+\$261
Price Category (NaughtOne) 3		+\$514
Price Category (NaughtOne) 4		+\$773
Price Category (NaughtOne) 5		+\$1291
Price Category (NaughtOne) 6		+\$1802
Price Category (NaughtOne) 7		+\$0

## Step 5. External Fabric

### For sled base (2)

Price Category (NaughtOne) 0	<input type="checkbox"/> A	-\$431
Price Category (NaughtOne) 1		+\$0
Price Category (NaughtOne) 2		+\$217
Price Category (NaughtOne) 3		+\$427
Price Category (NaughtOne) 4		+\$644
Price Category (NaughtOne) 5		+\$1076
Price Category (NaughtOne) 6		+\$1503
Price Category (NaughtOne) 7		+\$0

### For wooden legs (3)

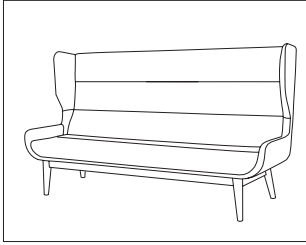
Price Category (NaughtOne) 0	<input type="checkbox"/> A	-\$431
Price Category (NaughtOne) 1		+\$0
Price Category (NaughtOne) 2		+\$217
Price Category (NaughtOne) 3		+\$427
Price Category (NaughtOne) 4		+\$644
Price Category (NaughtOne) 5		+\$1076
Price Category (NaughtOne) 6		+\$1503
Price Category (NaughtOne) 7		+\$0

## Step 6. Glide Option

<b>FG</b>	felt glides	<input type="checkbox"/> A	+\$24
<b>PG</b>	plastic glides	<input type="checkbox"/> A	+\$0

# Hush Three Seat Sofa

NOHUN



### Product Information

#### Description

This upholstered 3-seat sofa is constructed with a molded plywood inner frame topped with high quality foam. Bases are available in solid oak, chromed mild steel, brushed stainless steel, or a hard-wearing polyester powder coat.

#### Notes

Nominal dimensions rounded to the nearest 1/2 inch.

Type	Width	Depth	Height	Seat Ht.
3	79	32	45 1/2	17

Customer's Own Material (COM) requires the following yardage:

Type	Total	Inner	Outer
3	8	5	4 1/2

Customer's Own Leather (COL) requires the following square feet:

Type	Total	Inner	Outer
3	135	65	70

### Specification Information

#### Step 1.

**NOHUN23**

#### Step 2. Base Type

**3** wooden legs

#### Prices for Steps 1-2.

**NOHUN23 3** \$12829

#### Step 3. Base Finish

**OAK** oak  +\$0

**WLN** walnut  +\$0

#### Step 4. Internal Fabric

Price Category (NaughtOne) 0  -\$540

Price Category (NaughtOne) 1 +\$0

Price Category (NaughtOne) 2 +\$272

Price Category (NaughtOne) 3 +\$535

Price Category (NaughtOne) 4 +\$801

Price Category (NaughtOne) 5 +\$1336

Price Category (NaughtOne) 6 +\$1866

Price Category (NaughtOne) 7 +\$2394

#### Step 5. External Fabric

Price Category (NaughtOne) 0  -\$472

Price Category (NaughtOne) 1 +\$0

Price Category (NaughtOne) 2 +\$239

Price Category (NaughtOne) 3 +\$467

Price Category (NaughtOne) 4 +\$702

Price Category (NaughtOne) 5 +\$1170

Price Category (NaughtOne) 6 +\$1633

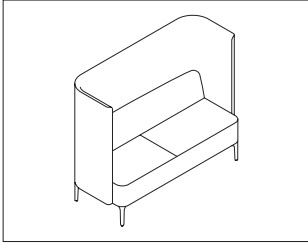
Price Category (NaughtOne) 7 +\$2097

#### Step 6. Glide Option

**FG** felt glides  +\$24

**PG** plastic glides  +\$0

NaughtOne® Sofa



NaughtOne® Sofa

**Product Information**

**Description**

The Pullman sofa is upholstered over a plywood inner frame topped with high quality foams. Pullman can be upholstered in a single fabric or multiple fabrics. Legs are laser cut folded mild steel and solid wood. Tablet top is CNC cut from white melamine faced medium-density fiberboard or oak and walnut veneer.

**Notes**

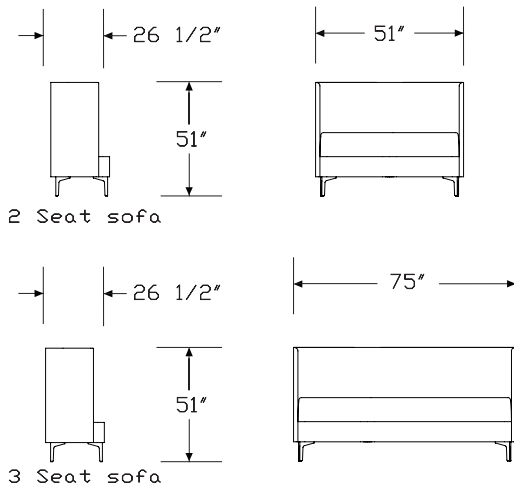
Customer's Own Material (COM) requires the following yardage:

Type	Total	Inner & Seat	Outer
7	11	4	7
8	14	5	9

Customer's Own Leather (COL) requires the following square feet:

Type	Total	Inner & Seat	Outer
7	176	64	112
8	224	80	144

**Dimensions**



**Specification Information**

**Step 1.**

**NOPUL**  A

**Step 2. Type**

- 7 2 seat sofa  A
- 8 3 seat sofa  A

**Step 3. Upholstery**

- 1 single fabric  A
- 2 multiple fabric  A

**Step 4. Power Access Cut-out**

*For 2 seat sofa (7) or 3 seat sofa (8)*

- OCS** no cut-out system  A
- WNDB** with node cut-out system (both sides)  A
- WNDL** with node cut-out system (left hand side)  A
- WNDR** with node cut-out system (right hand side)  A

**Step 5. Tablet Arm Option**

*For 2 seat sofa (7) or 3 seat sofa (8)*

- 00** no tablet arm  A
- RB** black tablet arm to right side (users POV)  A
- LB** black tablet arm to left side (users POV)  A
- BB** black tablet arm to both sides  A
- RW** white tablet arm to right side (users POV)  A
- LW** white tablet arm to left side (users POV)  A
- BW** white tablet arm to both sides  A

**Prices for Steps 1-5.**

			OCS00	OCSRB	OCSLB	OCSBB	OCSRW	OCSLW
<b>NOPUL</b>	<b>7</b>	<b>1</b>	\$9126	9719	9719	10312	9719	9719
		<b>2</b>	\$9126	9719	9719	10312	9719	9719
	<b>8</b>	<b>1</b>	\$10418	11010	11010	11603	11010	11010
		<b>2</b>	\$10418	11010	11010	11603	11010	11010

			OCSBW	WNDB00	WNDBRB	WNDBLB	WNDBBB	WNDBRW
<b>NOPUL</b>	<b>7</b>	<b>1</b>	\$10312	10095	10688	10688	11281	10688
		<b>2</b>	\$10312	10095	10688	10688	11281	10688
	<b>8</b>	<b>1</b>	\$11603	11387	11980	11980	12573	11980
		<b>2</b>	\$11603	11387	11980	11980	12573	11980

			WNDBLW	WNDBBW	WNDL00	WNDLRB	WNDLLB	WNDLBB
<b>NOPUL</b>	<b>7</b>	<b>1</b>	\$10688	11281	9611	10203	10203	10796
		<b>2</b>	\$10688	11281	9611	10203	10203	10796



Pullman Sofa *continued*

	<b>8</b>	<b>1</b>	\$11980	12573	10902	11495	11495	12088	
		<b>2</b>	\$11980	12573	10902	11495	11495	12088	
				<b>WNDLRW</b>	<b>WNDLLW</b>	<b>WNDLBW</b>	<b>WNDRO0</b>	<b>WNDRRB</b>	<b>WNDRLB</b>
<b>NOPUL</b>	<b>7</b>	<b>1</b>	\$10203	10203	10796	9611	10203	10203	
		<b>2</b>	\$10203	10203	10796	9611	10203	10203	
	<b>8</b>	<b>1</b>	\$11495	11495	12088	10902	11495	11495	
		<b>2</b>	\$11495	11495	12088	10902	11495	11495	

				<b>WNDRBB</b>	<b>WNDRRW</b>	<b>WNDRLW</b>	<b>WNDRBW</b>
<b>NOPUL</b>	<b>7</b>	<b>1</b>	\$10796	10203	10203	10796	
		<b>2</b>	\$10796	10203	10203	10796	
	<b>8</b>	<b>1</b>	\$12088	11495	11495	12088	
		<b>2</b>	\$12088	11495	11495	12088	

Step 6. Base Finish

<b>R00</b>	RAL 9005 black	A						+\$0
<b>R02</b>	RAL 7030 stone grey	A						+\$177
<b>R03</b>	RAL 9006 silver	A						+\$177
<b>R08</b>	RAL 2009 orange	A						+\$177
<b>R13</b>	RAL 5024 pastel blue	A						+\$177
<b>R14</b>	RAL 9003 white	A						+\$0
<b>R23</b>	RAL 7021 black grey	A						+\$177
<b>R24</b>	leaf green RAL 6002	A						+\$177
<b>R25</b>	RAL 6021 green	A						+\$177
<b>R26</b>	RAL 3020 red	A						+\$177
<b>R28</b>	RAL 3015 light pink	A						+\$177
<b>R29</b>	RAL 5001 blue	A						+\$177
<b>R30</b>	RAL 1013 oyster	A						+\$177
<b>R38</b>	broom yellow RAL 1032	A						+\$177
<b>R39</b>	moss green RAL 6005	A						+\$177
<b>R40</b>	steel blue RAL 5011	A						+\$177
<b>OAK</b>	oak	A						+\$714
<b>WLN</b>	walnut	A						+\$1243

Step 7. Surface Finish

For 2 seat sofa (7) or 3 seat sofa (8) with black tablet arm to right side (users POV) (RB), or black tablet arm to left side (users POV) (LB), or white tablet arm to right side (users POV) (RW), or white tablet arm to left side (users POV) (LW)

<b>BRC</b>	black MFMDf top with reverse chamfer edge	A						+\$0
<b>WRC</b>	white MFMDf top with reverse chamfer edge	A						+\$0
<b>OAK</b>	oak veneer top with reverse chamfer edge	A						+\$227
<b>WLN</b>	walnut veneer top with reverse chamfer edge	A						+\$227

For 2 seat sofa (7) or 3 seat sofa (8) with black tablet arm to both sides (BB), or white tablet arm to both sides (BW)

<b>BRC</b>	black MFMDf top with reverse chamfer edge	A						+\$0
<b>WRC</b>	white MFMDf top with reverse chamfer edge	A						+\$0
<b>OAK</b>	oak veneer top with reverse chamfer edge	A						+\$453
<b>WLN</b>	walnut veneer top with reverse chamfer edge	A						+\$453

Step 8. Fabric

For 2 seat sofa (7) with single fabric (1)

Price Category (NaughtOne) 0	A							+\$0
Price Category (NaughtOne) 1								+\$0
Price Category (NaughtOne) 2								+\$275
Price Category (NaughtOne) 3								+\$551
Price Category (NaughtOne) 4								+\$826
Price Category (NaughtOne) 5								+\$1374
Price Category (NaughtOne) 6								+\$1925
Price Category (NaughtOne) 7								+\$2476

For 3 seat sofa (8) with single fabric (1)

Price Category (NaughtOne) 0	A							+\$0
Price Category (NaughtOne) 1								+\$0
Price Category (NaughtOne) 2								+\$356
Price Category (NaughtOne) 3								+\$712
Price Category (NaughtOne) 4								+\$1070
Price Category (NaughtOne) 5								+\$1782
Price Category (NaughtOne) 6								+\$2494
Price Category (NaughtOne) 7								+\$3208

Step 9. Seat and Backrest Fabric

For 2 seat sofa (7) with multiple fabric (2)

Price Category (NaughtOne) 0	A							+\$0
Price Category (NaughtOne) 1								+\$0
Price Category (NaughtOne) 2								+\$75
Price Category (NaughtOne) 3								+\$152
Price Category (NaughtOne) 4								+\$227
Price Category (NaughtOne) 5								+\$379
Price Category (NaughtOne) 6								+\$530
Price Category (NaughtOne) 7								+\$682
Price Category (NaughtOne) 9								+\$984

<i>For 3 seat sofa (8) with multiple fabric (2)</i>	
Price Category (NaughtOne) 0	A +\$0
Price Category (NaughtOne) 1	+\$0
Price Category (NaughtOne) 2	+\$98
Price Category (NaughtOne) 3	+\$194
Price Category (NaughtOne) 4	+\$294
Price Category (NaughtOne) 5	+\$490
Price Category (NaughtOne) 6	+\$687
Price Category (NaughtOne) 7	+\$882
Price Category (NaughtOne) 9	+\$1274

Step 10. Outer Fabric

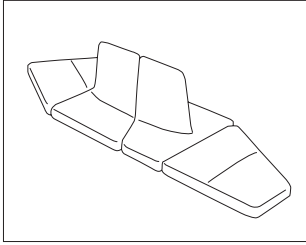
<i>For 2 seat sofa (7) with multiple fabric (2)</i>	
Price Category (NaughtOne) 0	A +\$0
Price Category (NaughtOne) 1	+\$0
Price Category (NaughtOne) 2	+\$200
Price Category (NaughtOne) 3	+\$399
Price Category (NaughtOne) 4	+\$599
Price Category (NaughtOne) 5	+\$995
Price Category (NaughtOne) 6	+\$1395
Price Category (NaughtOne) 7	+\$1793
Price Category (NaughtOne) 9	+\$2592

<i>For 3 seat sofa (8) with multiple fabric (2)</i>	
Price Category (NaughtOne) 0	A +\$0
Price Category (NaughtOne) 1	+\$0
Price Category (NaughtOne) 2	+\$259
Price Category (NaughtOne) 3	+\$517
Price Category (NaughtOne) 4	+\$776
Price Category (NaughtOne) 5	+\$1293
Price Category (NaughtOne) 6	+\$1806
Price Category (NaughtOne) 7	+\$2326
Price Category (NaughtOne) 9	+\$3358

Step 11. Power Option

<i>For 2 seat sofa (7) or 3 seat sofa (8) with with node cut-out system (left hand side) (WNDL), or with node cut-out system (right hand side) (WNDR)</i>	
<b>ND1W</b> node power unit with 1x power and 2x USB in white	A +\$349
<b>ND1B</b> node power unit with 1x power and 2x USB in black	A +\$349
<b>ND2W</b> node power unit with 2x power in white	A +\$427
<b>ND2B</b> node power unit with 2x power in black	A +\$427

<i>For 2 seat sofa (7) or 3 seat sofa (8) with with node cut-out system (both sides) (WNDB)</i>	
<b>ND1W</b> node power unit with 1x power and 2x USB in white	A +\$698
<b>ND1B</b> node power unit with 1x power and 2x USB in black	A +\$698
<b>ND2W</b> node power unit with 2x power in white	A +\$854
<b>ND2B</b> node power unit with 2x power in black	A +\$854



**Product Information**

**Description**

These seating units are upholstered over birch frames and CMHR foam. Bases are simple plinths constructed from powder coated steel panels. Individual modules are delivered in parts. Units bolt together and can be reconfigured.

**Notes**

Can be used with Rhyme Plinth Infill Panel (NORHN000), ordered separately.

Nominal dimensions rounded to the nearest 1/2 inch.

Type	Width	Depth	Height	Seat Ht.
100	55	55	16 1/2	17 1/2
200	55	55	53	17 1/2
250	55	55	33 1/2	17 1/2
300	55	55	53	17 1/2
350	55	55	33 1/2	17 1/2
400	55	55	53	17 1/2
450	55	55	33 1/2	17 1/2
500	55	55	53	17 1/2
550	55	55	33 1/2	17 1/2

Customer's Own Material (COM) requires the following yardage:

Type	Total
100	5
200	7
250	7
300	7
350	7
400	7
450	7
500	7
550	7

**Specification Information**

**Step 1.**

**NORHN**

**Step 2. Type**

- 100 bench
- 400 end A
- 450 low back end A
- 500 end B
- 550 low back end B
- 200 single
- 250 low back single
- 300 middle
- 350 low back middle

**Prices for Steps 1-2.**

<b>NORHN</b>	<b>100</b>	\$5526
	<b>400</b>	\$9527
	<b>450</b>	\$9245
	<b>500</b>	\$9527
	<b>550</b>	\$9245
	<b>200</b>	\$10394
	<b>250</b>	\$10083
	<b>300</b>	\$10394
	<b>350</b>	\$10083

**Step 3. Base Finish**

*For bench (100), end A (400), end B (500), single (200), or middle (300)*

<b>R00</b>	black RAL 9005 <input type="checkbox"/>	+\$0
<b>R14</b>	signal white RAL9003 <input type="checkbox"/>	+\$0
<b>R23</b>	black grey RAL 7021 <input type="checkbox"/>	+\$574
<b>R24</b>	leaf green RAL 6002 <input type="checkbox"/>	+\$574
<b>R25</b>	pale green RAL 6021 <input type="checkbox"/>	+\$574
<b>R26</b>	RAL 3020 red <input type="checkbox"/>	+\$574
<b>R28</b>	light pink RAL 3015 <input type="checkbox"/>	+\$574
<b>R29</b>	dark blue RAL 5001 <input type="checkbox"/>	+\$574
<b>R02</b>	stone grey RAL 7030 <input type="checkbox"/>	+\$574
<b>R03</b>	silver - RAL 9006 <input type="checkbox"/>	+\$574
<b>R08</b>	traffic orange RAL 2009 <input type="checkbox"/>	+\$574
<b>R13</b>	pastel blue RAL 5024 <input type="checkbox"/>	+\$574
<b>R30</b>	oyster RAL 1013 <input type="checkbox"/>	+\$574
<b>R38</b>	broom yellow RAL 1032 <input type="checkbox"/>	+\$574
<b>R39</b>	moss green RAL 6005 <input type="checkbox"/>	+\$574
<b>R40</b>	steel blue RAL 5011 <input type="checkbox"/>	+\$574

*For low back end A (450), low back end B (550), low back single (250), or low back middle (350)*

R00	black RAL 9005	A	+\$0
R14	signal white RAL9003	A	+\$0
R23	black grey RAL 7021	A	+\$586
R24	leaf green RAL 6002	A	+\$586
R25	pale green RAL 6021	A	+\$586
R26	RAL 3020 red	A	+\$586
R28	light pink RAL 3015	A	+\$586
R29	dark blue RAL 5001	A	+\$586
R02	stone grey RAL 7030	A	+\$586
R03	silver - RAL 9006	A	+\$586
R08	traffic orange RAL 2009	A	+\$586
R13	pastel blue RAL 5024	A	+\$586
R30	oyster RAL 1013	A	+\$586
R38	broom yellow RAL 1032	A	+\$586
R39	moss green RAL 6005	A	+\$586
R40	steel blue RAL 5011	A	+\$586

Step 4. Fabric

*For bench (100)*

Price Category (NaughtOne) 0	A	-\$258
Price Category (NaughtOne) 1		+\$0
Price Category (NaughtOne) 2		+\$130
Price Category (NaughtOne) 3		+\$262
Price Category (NaughtOne) 4		+\$393
Price Category (NaughtOne) 5		+\$666
Price Category (NaughtOne) 6		+\$927
Price Category (NaughtOne) 7		+\$978

*For end A (400) or end B (500)*

Price Category (NaughtOne) 0	A	-\$526
Price Category (NaughtOne) 1		+\$0
Price Category (NaughtOne) 2		+\$268
Price Category (NaughtOne) 3		+\$531
Price Category (NaughtOne) 4		+\$795
Price Category (NaughtOne) 5		+\$1321
Price Category (NaughtOne) 6		+\$1846
Price Category (NaughtOne) 7		+\$2479

*For single (200) or middle (300)*

Price Category (NaughtOne) 0	A	-\$575
Price Category (NaughtOne) 1		+\$0
Price Category (NaughtOne) 2		+\$293
Price Category (NaughtOne) 3		+\$576
Price Category (NaughtOne) 4		+\$863
Price Category (NaughtOne) 5		+\$1439
Price Category (NaughtOne) 6		+\$2013
Price Category (NaughtOne) 7		+\$2699

*For low back end A (450) or low back end B (550)*

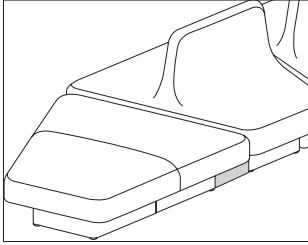
Price Category (NaughtOne) 0	A	-\$509
Price Category (NaughtOne) 1		+\$0
Price Category (NaughtOne) 2		+\$245
Price Category (NaughtOne) 3		+\$503
Price Category (NaughtOne) 4		+\$762
Price Category (NaughtOne) 5		+\$1270
Price Category (NaughtOne) 6		+\$1785
Price Category (NaughtOne) 7		+\$2299

*For low back single (250) or low back middle (350)*

Price Category (NaughtOne) 0	A	-\$556
Price Category (NaughtOne) 1		+\$0
Price Category (NaughtOne) 2		+\$270
Price Category (NaughtOne) 3		+\$554
Price Category (NaughtOne) 4		+\$836
Price Category (NaughtOne) 5		+\$1401
Price Category (NaughtOne) 6		+\$1955
Price Category (NaughtOne) 7		+\$2510

# Rhyme Plinth Infill

NORHN



## Product Information

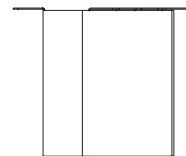
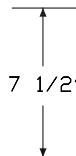
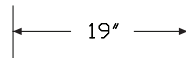
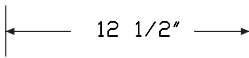
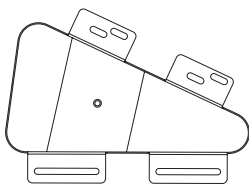
### Description

This plinth infill panel is laser-cut, folded and welded steel plate with powder coat. It is used to fill the gaps between plinths of Rhyme seating units. Package contains 1 infill panel.

### Notes

2 infill panels are required to fill gaps between Rhyme seating units.  
 Plinth infill panels are available in all NaughtOne® standard RAL finishes.  
 Specify infill panel finish to match finish of Rhyme seating units.

### Dimensions



## Specification Information

### Step 1.

**NORHN**

### Step 2. Type

**000** Plinth Infill Panel

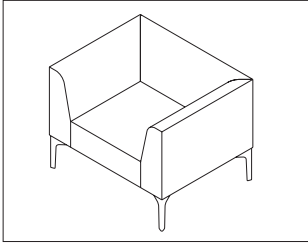
### Prices for Steps 1-2.

**NORHN 000** \$454

### Step 3. Base Finish

<b>R00</b>	black RAL 9005 <input type="checkbox"/>	+\$0
<b>R02</b>	stone grey RAL 7030 <input type="checkbox"/>	+\$0
<b>R03</b>	silver - RAL 9006 <input type="checkbox"/>	+\$0
<b>R08</b>	traffic orange RAL 2009 <input type="checkbox"/>	+\$0
<b>R13</b>	pastel blue RAL 5024 <input type="checkbox"/>	+\$0
<b>R14</b>	signal white RAL9003 <input type="checkbox"/>	+\$0
<b>R23</b>	black grey RAL 7021 <input type="checkbox"/>	+\$0
<b>R24</b>	leaf green RAL 6002 <input type="checkbox"/>	+\$0
<b>R25</b>	pale green RAL 6021 <input type="checkbox"/>	+\$0
<b>R26</b>	RAL 3020 red <input type="checkbox"/>	+\$0
<b>R28</b>	light pink RAL 3015 <input type="checkbox"/>	+\$0
<b>R29</b>	dark blue RAL 5001 <input type="checkbox"/>	+\$0
<b>R30</b>	oyster RAL 1013 <input type="checkbox"/>	+\$0
<b>R38</b>	broom yellow RAL 1032 <input type="checkbox"/>	+\$0
<b>R39</b>	moss green RAL 6005 <input type="checkbox"/>	+\$0
<b>R40</b>	steel blue RAL 5011 <input type="checkbox"/>	+\$0

NaughtOne® Sofa



NaughtOne® Sofa

**Product Information**

**Description**

This chair is upholstered over a wood frame and high quality foam. Legs are available in steel with polyester powder coat or solid oak or walnut with a matte lacquer finish.

**Notes**

Nominal dimensions rounded to the nearest 1/2 inch.

Type	Width	Depth	Height	Seat Ht.
10	20	20	16	16
20	20	27	27	16
30	27	27	27	16
40	34 1/2	27	27	16
50	27	27	16	16

Customer's Own Material (COM) requires the following yardage:

Type	Total	Back and Arms	Seat
10	2		
20	5	2	2
30	5	2	3
40	5	3	2
50	3		

**Specification Information**

**Step 1.**

**NOSYN1**

**Step 2. Type**

- 10 single seat bench
- 20 no arms
- 30 one arm corner
- 40 two arms
- 50 quarter circle bench

**Step 3. Upholstery**

*For single seat bench (10) or quarter circle bench (50)*

- 1 single fabric

*For no arms (20), one arm corner (30), or two arms (40)*

- 1 single fabric
- 2 multiple fabric

**Prices for Steps 1-3.**

	1	2
<b>NOSYN1 10</b>	\$1793	—
20	\$3236	3236
30	\$3909	3909
40	\$4650	4650
50	\$2222	—

**Step 4. Base Finish**

<b>R02</b>	stone grey RAL 7030 <input type="checkbox"/>	+\$137
<b>R03</b>	silver - RAL 9006 <input type="checkbox"/>	+\$137
<b>R00</b>	black RAL 9005 <input type="checkbox"/>	+\$0
<b>R08</b>	traffic orange RAL 2009 <input type="checkbox"/>	+\$137
<b>R13</b>	pastel blue RAL 5024 <input type="checkbox"/>	+\$137
<b>R14</b>	signal white RAL9003 <input type="checkbox"/>	+\$0
<b>R23</b>	black grey RAL 7021 <input type="checkbox"/>	+\$137
<b>R24</b>	leaf green RAL 6002 <input type="checkbox"/>	+\$137
<b>R25</b>	pale green RAL 6021 <input type="checkbox"/>	+\$137
<b>R26</b>	RAL 3020 red <input type="checkbox"/>	+\$137
<b>R28</b>	light pink RAL 3015 <input type="checkbox"/>	+\$137
<b>R29</b>	dark blue RAL 5001 <input type="checkbox"/>	+\$137
<b>R30</b>	oyster RAL 1013 <input type="checkbox"/>	+\$137
<b>OAK</b>	oak <input type="checkbox"/>	+\$600
<b>WAL</b>	walnut <input type="checkbox"/>	+\$600
<b>R38</b>	broom yellow RAL 1032 <input type="checkbox"/>	+\$137
<b>R39</b>	moss green RAL 6005 <input type="checkbox"/>	+\$137
<b>R40</b>	steel blue RAL 5011 <input type="checkbox"/>	+\$137

# Symbol Single Seat *continued*

## Step 5. Fabric

### *For single seat bench (10) with single fabric (1)*

Price Category (NaughtOne) 0 <span style="border: 1px solid black; padding: 0 2px;">A</span>	+\$0
Price Category (NaughtOne) 1	+\$0
Price Category (NaughtOne) 2	+\$70
Price Category (NaughtOne) 3	+\$139
Price Category (NaughtOne) 4	+\$208
Price Category (NaughtOne) 5	+\$346
Price Category (NaughtOne) 6	+\$485
Price Category (NaughtOne) 7	+\$832

### *For no arms (20) with single fabric (1)*

Price Category (NaughtOne) 0 <span style="border: 1px solid black; padding: 0 2px;">A</span>	+\$0
Price Category (NaughtOne) 1	+\$0
Price Category (NaughtOne) 2	+\$94
Price Category (NaughtOne) 3	+\$186
Price Category (NaughtOne) 4	+\$278
Price Category (NaughtOne) 5	+\$463
Price Category (NaughtOne) 6	+\$646
Price Category (NaughtOne) 7	+\$1244

### *For one arm corner (30) with single fabric (1)*

Price Category (NaughtOne) 0 <span style="border: 1px solid black; padding: 0 2px;">A</span>	+\$0
Price Category (NaughtOne) 1	+\$0
Price Category (NaughtOne) 2	+\$138
Price Category (NaughtOne) 3	+\$278
Price Category (NaughtOne) 4	+\$415
Price Category (NaughtOne) 5	+\$691
Price Category (NaughtOne) 6	+\$967
Price Category (NaughtOne) 7	+\$1452

### *For two arms (40) with single fabric (1)*

Price Category (NaughtOne) 0 <span style="border: 1px solid black; padding: 0 2px;">A</span>	+\$0
Price Category (NaughtOne) 1	+\$0
Price Category (NaughtOne) 2	+\$161
Price Category (NaughtOne) 3	+\$322
Price Category (NaughtOne) 4	+\$485
Price Category (NaughtOne) 5	+\$807
Price Category (NaughtOne) 6	+\$1129
Price Category (NaughtOne) 7	+\$830

## *For quarter circle bench (50) with single fabric (1)*

Price Category (NaughtOne) 0 <span style="border: 1px solid black; padding: 0 2px;">A</span>	+\$0
Price Category (NaughtOne) 1	+\$0
Price Category (NaughtOne) 2	+\$90
Price Category (NaughtOne) 3	+\$183
Price Category (NaughtOne) 4	+\$276
Price Category (NaughtOne) 5	+\$463
Price Category (NaughtOne) 6	+\$647
Price Category (NaughtOne) 7	+\$831

## Step 6. Back and Arm Fabric

### *For no arms (20) with multiple fabric (2)*

Price Category (NaughtOne) 0 <span style="border: 1px solid black; padding: 0 2px;">A</span>	+\$10
Price Category (NaughtOne) 1	+\$10
Price Category (NaughtOne) 2	+\$37
Price Category (NaughtOne) 3	+\$75
Price Category (NaughtOne) 4	+\$111
Price Category (NaughtOne) 5	+\$185
Price Category (NaughtOne) 6	+\$258
Price Category (NaughtOne) 7	+\$333

### *For one arm corner (30) with multiple fabric (2)*

Price Category (NaughtOne) 0 <span style="border: 1px solid black; padding: 0 2px;">A</span>	+\$10
Price Category (NaughtOne) 1	+\$10
Price Category (NaughtOne) 2	+\$79
Price Category (NaughtOne) 3	+\$158
Price Category (NaughtOne) 4	+\$238
Price Category (NaughtOne) 5	+\$395
Price Category (NaughtOne) 6	+\$554
Price Category (NaughtOne) 7	+\$710

### *For two arms (40) with multiple fabric (2)*

Price Category (NaughtOne) 0 <span style="border: 1px solid black; padding: 0 2px;">A</span>	+\$64
Price Category (NaughtOne) 1	+\$64
Price Category (NaughtOne) 2	+\$107
Price Category (NaughtOne) 3	+\$215
Price Category (NaughtOne) 4	+\$322
Price Category (NaughtOne) 5	+\$538
Price Category (NaughtOne) 6	+\$753
Price Category (NaughtOne) 7	+\$967

Symbol Single Seat *continued*

NaughtOne® Sofa

Step 7. Seat Fabric

*For no arms (20) with multiple fabric (2)*

Price Category (NaughtOne) 0 <input type="checkbox"/> A	+\$54
Price Category (NaughtOne) 1	+\$141
Price Category (NaughtOne) 2	+\$238
Price Category (NaughtOne) 3	+\$346
Price Category (NaughtOne) 4	+\$448
Price Category (NaughtOne) 5	+\$650
Price Category (NaughtOne) 6	+\$853
Price Category (NaughtOne) 7	+\$639

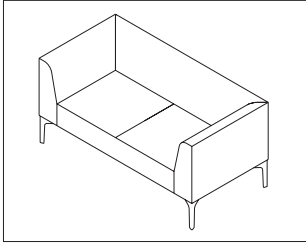
*For one arm corner (30) with multiple fabric (2)*

Price Category (NaughtOne) 0 <input type="checkbox"/> A	+\$54
Price Category (NaughtOne) 1	+\$141
Price Category (NaughtOne) 2	+\$241
Price Category (NaughtOne) 3	+\$353
Price Category (NaughtOne) 4	+\$459
Price Category (NaughtOne) 5	+\$670
Price Category (NaughtOne) 6	+\$880
Price Category (NaughtOne) 7	+\$1090

*For two arms (40) with multiple fabric (2)*

Price Category (NaughtOne) 0 <input type="checkbox"/> A	+\$54
Price Category (NaughtOne) 1	+\$141
Price Category (NaughtOne) 2	+\$236
Price Category (NaughtOne) 3	+\$342
Price Category (NaughtOne) 4	+\$443
Price Category (NaughtOne) 5	+\$642
Price Category (NaughtOne) 6	+\$841
Price Category (NaughtOne) 7	+\$1041





**Product Information**

**Description**

This 2-seat unit is upholstered over a wood frame and high quality foam. Legs are available in steel with polyester powder coat or solid oak or walnut with a matte lacquer finish.

**Notes**

Nominal dimensions rounded to the nearest 1/2 inch.

Type	Width	Depth	Height	Seat Ht.
10	40	20	16	16
20	40	27	27	16
30	47	27	27	16
40	47	27	27	16
50	54 1/2	27	27	16
60	54 1/2	27	16	16

Customer's Own Material (COM) requires the following yardage:

Type	Total	Back and Arms	Seat
10	4		
20	5	2	3
30	7	3	4
40	7	3	4
50	8	4	4
60	3		

**Specification Information**

**Step 1.**

**NOSYN2**

**Step 2. Type**

- 10 two seat bench
- 20 no arms
- 30 right arm
- 40 left arm
- 50 two arms
- 60 180 degree, half circle bench

**Step 3. Upholstery**

*For two seat bench (10) or 180 degree, half circle bench (60)*

- 1 single fabric

*For no arms (20), right arm (30), left arm (40), or two arms (50)*

- 1 single fabric
- 2 multiple fabric

**Prices for Steps 1-3.**

	1	2
<b>NOSYN2 10</b>	\$2898	—
20	\$4405	4405
30	\$5066	5066
40	\$5066	5066
50	\$5811	5811
60	\$3292	—

Symbol Two Seat *continued*

Step 4. Base Finish

<b>R00</b>	black RAL 9005 <input type="checkbox"/>	+\$0
<b>R14</b>	signal white RAL9003 <input type="checkbox"/>	+\$0
<b>R02</b>	stone grey RAL 7030 <input type="checkbox"/>	+\$137
<b>R03</b>	silver - RAL 9006 <input type="checkbox"/>	+\$137
<b>R08</b>	traffic orange RAL 2009 <input type="checkbox"/>	+\$137
<b>R13</b>	pastel blue RAL 5024 <input type="checkbox"/>	+\$137
<b>R23</b>	black grey RAL 7021 <input type="checkbox"/>	+\$137
<b>R24</b>	leaf green RAL 6002 <input type="checkbox"/>	+\$137
<b>R25</b>	pale green RAL 6021 <input type="checkbox"/>	+\$137
<b>R26</b>	RAL 3020 red <input type="checkbox"/>	+\$137
<b>R28</b>	light pink RAL 3015 <input type="checkbox"/>	+\$137
<b>R29</b>	dark blue RAL 5001 <input type="checkbox"/>	+\$137
<b>R30</b>	oyster RAL 1013 <input type="checkbox"/>	+\$137
<b>OAK</b>	oak <input type="checkbox"/>	+\$600
<b>WAL</b>	walnut <input type="checkbox"/>	+\$600
<b>R38</b>	broom yellow RAL 1032 <input type="checkbox"/>	+\$137
<b>R39</b>	moss green RAL 6005 <input type="checkbox"/>	+\$137
<b>R40</b>	steel blue RAL 5011 <input type="checkbox"/>	+\$137

Step 5. Fabric

*For two seat bench (10) with single fabric (1)*

Price Category (NaughtOne) 0 <input type="checkbox"/>	+\$0
Price Category (NaughtOne) 1	+\$0
Price Category (NaughtOne) 2	+\$93
Price Category (NaughtOne) 3	+\$185
Price Category (NaughtOne) 4	+\$279
Price Category (NaughtOne) 5	+\$462
Price Category (NaughtOne) 6	+\$645
Price Category (NaughtOne) 7	+\$791

*For no arms (20) with single fabric (1)*

Price Category (NaughtOne) 0 <input type="checkbox"/>	+\$0
Price Category (NaughtOne) 1	+\$0
Price Category (NaughtOne) 2	+\$116
Price Category (NaughtOne) 3	+\$231
Price Category (NaughtOne) 4	+\$347
Price Category (NaughtOne) 5	+\$576
Price Category (NaughtOne) 6	+\$807
Price Category (NaughtOne) 7	+\$1037

*For right arm (30) with single fabric (1)*

Price Category (NaughtOne) 0 <input type="checkbox"/>	+\$0
Price Category (NaughtOne) 1	+\$0
Price Category (NaughtOne) 2	+\$138
Price Category (NaughtOne) 3	+\$278
Price Category (NaughtOne) 4	+\$415
Price Category (NaughtOne) 5	+\$691
Price Category (NaughtOne) 6	+\$967
Price Category (NaughtOne) 7	+\$1244

*For left arm (40) with single fabric (1)*

Price Category (NaughtOne) 0 <input type="checkbox"/>	+\$0
Price Category (NaughtOne) 1	+\$0
Price Category (NaughtOne) 2	+\$138
Price Category (NaughtOne) 3	+\$278
Price Category (NaughtOne) 4	+\$415
Price Category (NaughtOne) 5	+\$691
Price Category (NaughtOne) 6	+\$967
Price Category (NaughtOne) 7	+\$1244

*For two arms (50) with single fabric (1)*

Price Category (NaughtOne) 0 <input type="checkbox"/>	+\$0
Price Category (NaughtOne) 1	+\$0
Price Category (NaughtOne) 2	+\$184
Price Category (NaughtOne) 3	+\$369
Price Category (NaughtOne) 4	+\$554
Price Category (NaughtOne) 5	+\$922
Price Category (NaughtOne) 6	+\$1291
Price Category (NaughtOne) 7	+\$1659

*For 180 degree, half circle bench (60) with single fabric (1)*

Price Category (NaughtOne) 0 <input type="checkbox"/>	+\$0
Price Category (NaughtOne) 1	+\$0
Price Category (NaughtOne) 2	+\$141
Price Category (NaughtOne) 3	+\$280
Price Category (NaughtOne) 4	+\$418
Price Category (NaughtOne) 5	+\$698
Price Category (NaughtOne) 6	+\$976
Price Category (NaughtOne) 7	+\$1253

Symbol Two Seat *continued*

Step 6. Back and Arm Fabric

*For no arms (20) with multiple fabric (2)*

Price Category (NaughtOne) 0 <input type="checkbox"/>	+\$0
Price Category (NaughtOne) 1	+\$0
Price Category (NaughtOne) 2	+\$59
Price Category (NaughtOne) 3	+\$116
Price Category (NaughtOne) 4	+\$175
Price Category (NaughtOne) 5	+\$289
Price Category (NaughtOne) 6	+\$404
Price Category (NaughtOne) 7	+\$520

*For right arm (30) with multiple fabric (2)*

Price Category (NaughtOne) 0 <input type="checkbox"/>	+\$0
Price Category (NaughtOne) 1	+\$0
Price Category (NaughtOne) 2	+\$86
Price Category (NaughtOne) 3	+\$174
Price Category (NaughtOne) 4	+\$259
Price Category (NaughtOne) 5	+\$432
Price Category (NaughtOne) 6	+\$605
Price Category (NaughtOne) 7	+\$778

*For left arm (40) with multiple fabric (2)*

Price Category (NaughtOne) 0 <input type="checkbox"/>	+\$0
Price Category (NaughtOne) 1	+\$0
Price Category (NaughtOne) 2	+\$86
Price Category (NaughtOne) 3	+\$174
Price Category (NaughtOne) 4	+\$259
Price Category (NaughtOne) 5	+\$432
Price Category (NaughtOne) 6	+\$605
Price Category (NaughtOne) 7	+\$778

*For two arms (50) with multiple fabric (2)*

Price Category (NaughtOne) 0 <input type="checkbox"/>	+\$0
Price Category (NaughtOne) 1	+\$0
Price Category (NaughtOne) 2	+\$144
Price Category (NaughtOne) 3	+\$288
Price Category (NaughtOne) 4	+\$431
Price Category (NaughtOne) 5	+\$718
Price Category (NaughtOne) 6	+\$1005
Price Category (NaughtOne) 7	+\$1291

Step 7. Seat Fabric

*For no arms (20) with multiple fabric (2)*

Price Category (NaughtOne) 0 <input type="checkbox"/>	+\$0
Price Category (NaughtOne) 1	+\$300
Price Category (NaughtOne) 2	+\$459
Price Category (NaughtOne) 3	+\$615
Price Category (NaughtOne) 4	+\$773
Price Category (NaughtOne) 5	+\$1086
Price Category (NaughtOne) 6	+\$1405
Price Category (NaughtOne) 7	+\$1725

*For right arm (30) with multiple fabric (2)*

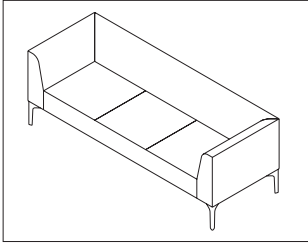
Price Category (NaughtOne) 0 <input type="checkbox"/>	+\$0
Price Category (NaughtOne) 1	+\$300
Price Category (NaughtOne) 2	+\$452
Price Category (NaughtOne) 3	+\$603
Price Category (NaughtOne) 4	+\$753
Price Category (NaughtOne) 5	+\$1058
Price Category (NaughtOne) 6	+\$1364
Price Category (NaughtOne) 7	+\$1673

*For left arm (40) with multiple fabric (2)*

Price Category (NaughtOne) 0 <input type="checkbox"/>	+\$0
Price Category (NaughtOne) 1	+\$300
Price Category (NaughtOne) 2	+\$452
Price Category (NaughtOne) 3	+\$603
Price Category (NaughtOne) 4	+\$753
Price Category (NaughtOne) 5	+\$1058
Price Category (NaughtOne) 6	+\$1364
Price Category (NaughtOne) 7	+\$1673

*For two arms (50) with multiple fabric (2)*

Price Category (NaughtOne) 0 <input type="checkbox"/>	+\$0
Price Category (NaughtOne) 1	+\$300
Price Category (NaughtOne) 2	+\$441
Price Category (NaughtOne) 3	+\$580
Price Category (NaughtOne) 4	+\$721
Price Category (NaughtOne) 5	+\$1004
Price Category (NaughtOne) 6	+\$1289
Price Category (NaughtOne) 7	+\$1575



NaughtOne® Sofa

**Product Information**

**Description**

This 3-seat unit is upholstered over a wood frame and high quality foam. Legs are available in steel with polyester powder coat or solid oak or walnut with a matte lacquer finish.

**Notes**

Nominal dimensions rounded to the nearest 1/2 inch.

Type	Width	Depth	Height	Seat Ht.
10	60	20	16	16
20	60	27	27	16
30	67 1/2	27	27	16
40	67 1/2	27	27	16
50	74 1/2	27	27	16

Customer's Own Material (COM) requires the following yardage:

Type	Total	Back and Arms	Seat
10	7		
20	7	3	4
30	8	4	4
40	8	4	4
50	8	4	4

**Specification Information**

**Step 1.**

**NOSYN3**  A

**Step 2. Type**

- 10 three seat bench  A
- 20 no arms  A
- 30 right arm  A
- 40 left arm  A
- 50 two arms  A

**Step 3. Upholstery**

*For three seat bench (10)*

- 1 single fabric  A

*For no arms (20), right arm (30), left arm (40), or two arms (50)*

- 1 single fabric  A
- 2 multiple fabric  A

**Prices for Steps 1-3.**

	1	2
<b>NOSYN3 10</b>	\$3676	—
20	\$6023	6023
30	\$6649	6649
40	\$6649	6649
50	\$7359	7359

**Step 4. Base Finish**

<b>R00</b>	black RAL 9005 <input type="checkbox"/> A	+\$0
<b>R02</b>	stone grey RAL 7030 <input type="checkbox"/> A	+\$137
<b>R03</b>	silver - RAL 9006 <input type="checkbox"/> A	+\$137
<b>R08</b>	traffic orange RAL 2009 <input type="checkbox"/> A	+\$137
<b>R13</b>	pastel blue RAL 5024 <input type="checkbox"/> A	+\$137
<b>R14</b>	signal white RAL9003 <input type="checkbox"/> A	+\$0
<b>R23</b>	black grey RAL 7021 <input type="checkbox"/> A	+\$137
<b>R24</b>	leaf green RAL 6002 <input type="checkbox"/> A	+\$137
<b>R25</b>	pale green RAL 6021 <input type="checkbox"/> A	+\$137
<b>R26</b>	RAL 3020 red <input type="checkbox"/> A	+\$137
<b>R28</b>	light pink RAL 3015 <input type="checkbox"/> A	+\$137
<b>R29</b>	dark blue RAL 5001 <input type="checkbox"/> A	+\$137
<b>R30</b>	oyster RAL 1013 <input type="checkbox"/> A	+\$137
<b>OAK</b>	oak <input type="checkbox"/> A	+\$600
<b>WAL</b>	walnut <input type="checkbox"/> A	+\$600
<b>R38</b>	broom yellow RAL 1032 <input type="checkbox"/> A	+\$137
<b>R39</b>	moss green RAL 6005 <input type="checkbox"/> A	+\$137
<b>R40</b>	steel blue RAL 5011 <input type="checkbox"/> A	+\$137

Symbol Three Seat *continued*

Step 5. Fabric

*For three seat bench (10) with single fabric (1)*

Price Category (NaughtOne) 0 <input type="checkbox"/>	+\$0
Price Category (NaughtOne) 1	+\$0
Price Category (NaughtOne) 2	+\$137
Price Category (NaughtOne) 3	+\$276
Price Category (NaughtOne) 4	+\$415
Price Category (NaughtOne) 5	+\$691
Price Category (NaughtOne) 6	+\$967
Price Category (NaughtOne) 7	+\$1329

*For no arms (20) with single fabric (1)*

Price Category (NaughtOne) 0 <input type="checkbox"/>	+\$0
Price Category (NaughtOne) 1	+\$0
Price Category (NaughtOne) 2	+\$161
Price Category (NaughtOne) 3	+\$322
Price Category (NaughtOne) 4	+\$484
Price Category (NaughtOne) 5	+\$807
Price Category (NaughtOne) 6	+\$1129
Price Category (NaughtOne) 7	+\$1452

*For right arm (30) with single fabric (1)*

Price Category (NaughtOne) 0 <input type="checkbox"/>	+\$0
Price Category (NaughtOne) 1	+\$0
Price Category (NaughtOne) 2	+\$184
Price Category (NaughtOne) 3	+\$368
Price Category (NaughtOne) 4	+\$554
Price Category (NaughtOne) 5	+\$921
Price Category (NaughtOne) 6	+\$1291
Price Category (NaughtOne) 7	+\$1661

*For left arm (40) with single fabric (1)*

Price Category (NaughtOne) 0 <input type="checkbox"/>	+\$0
Price Category (NaughtOne) 1	+\$0
Price Category (NaughtOne) 2	+\$184
Price Category (NaughtOne) 3	+\$368
Price Category (NaughtOne) 4	+\$554
Price Category (NaughtOne) 5	+\$921
Price Category (NaughtOne) 6	+\$1291
Price Category (NaughtOne) 7	+\$1661

*For two arms (50) with single fabric (1)*

Price Category (NaughtOne) 0 <input type="checkbox"/>	+\$0
Price Category (NaughtOne) 1	+\$0
Price Category (NaughtOne) 2	+\$231
Price Category (NaughtOne) 3	+\$461
Price Category (NaughtOne) 4	+\$691
Price Category (NaughtOne) 5	+\$1152
Price Category (NaughtOne) 6	+\$1613
Price Category (NaughtOne) 7	+\$2074

Step 6. Back and Arm Fabric

*For no arms (20) with multiple fabric (2)*

Price Category (NaughtOne) 0 <input type="checkbox"/>	+\$0
Price Category (NaughtOne) 1	+\$0
Price Category (NaughtOne) 2	+\$81
Price Category (NaughtOne) 3	+\$162
Price Category (NaughtOne) 4	+\$237
Price Category (NaughtOne) 5	+\$404
Price Category (NaughtOne) 6	+\$566
Price Category (NaughtOne) 7	+\$726

*For right arm (30) with multiple fabric (2)*

Price Category (NaughtOne) 0 <input type="checkbox"/>	+\$0
Price Category (NaughtOne) 1	+\$0
Price Category (NaughtOne) 2	+\$111
Price Category (NaughtOne) 3	+\$222
Price Category (NaughtOne) 4	+\$333
Price Category (NaughtOne) 5	+\$554
Price Category (NaughtOne) 6	+\$776
Price Category (NaughtOne) 7	+\$996

*For left arm (40) with multiple fabric (2)*

Price Category (NaughtOne) 0 <input type="checkbox"/>	+\$0
Price Category (NaughtOne) 1	+\$0
Price Category (NaughtOne) 2	+\$111
Price Category (NaughtOne) 3	+\$222
Price Category (NaughtOne) 4	+\$333
Price Category (NaughtOne) 5	+\$554
Price Category (NaughtOne) 6	+\$776
Price Category (NaughtOne) 7	+\$996

Symbol Three Seat *continued*

NaughtOne® Sofa

*For two arms (50) with multiple fabric (2)*

Price Category (NaughtOne) 0 <input type="checkbox"/>	+\$0
Price Category (NaughtOne) 1	+\$0
Price Category (NaughtOne) 2	+\$147
Price Category (NaughtOne) 3	+\$293
Price Category (NaughtOne) 4	+\$440
Price Category (NaughtOne) 5	+\$734
Price Category (NaughtOne) 6	+\$1026
Price Category (NaughtOne) 7	+\$1321

*For two arms (50) with multiple fabric (2)*

Price Category (NaughtOne) 0 <input type="checkbox"/>	+\$0
Price Category (NaughtOne) 1	+\$347
Price Category (NaughtOne) 2	+\$546
Price Category (NaughtOne) 3	+\$723
Price Category (NaughtOne) 4	+\$942
Price Category (NaughtOne) 5	+\$1341
Price Category (NaughtOne) 6	+\$1737
Price Category (NaughtOne) 7	+\$2133

Step 7. Seat Fabric

*For no arms (20) with multiple fabric (2)*

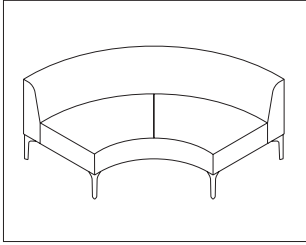
Price Category (NaughtOne) 0 <input type="checkbox"/>	+\$0
Price Category (NaughtOne) 1	+\$347
Price Category (NaughtOne) 2	+\$543
Price Category (NaughtOne) 3	+\$718
Price Category (NaughtOne) 4	+\$933
Price Category (NaughtOne) 5	+\$1325
Price Category (NaughtOne) 6	+\$1715
Price Category (NaughtOne) 7	+\$2104

*For right arm (30) with multiple fabric (2)*

Price Category (NaughtOne) 0 <input type="checkbox"/>	+\$0
Price Category (NaughtOne) 1	+\$347
Price Category (NaughtOne) 2	+\$536
Price Category (NaughtOne) 3	+\$703
Price Category (NaughtOne) 4	+\$912
Price Category (NaughtOne) 5	+\$1290
Price Category (NaughtOne) 6	+\$1666
Price Category (NaughtOne) 7	+\$2043

*For left arm (40) with multiple fabric (2)*

Price Category (NaughtOne) 0 <input type="checkbox"/>	+\$0
Price Category (NaughtOne) 1	+\$347
Price Category (NaughtOne) 2	+\$536
Price Category (NaughtOne) 3	+\$703
Price Category (NaughtOne) 4	+\$912
Price Category (NaughtOne) 5	+\$1290
Price Category (NaughtOne) 6	+\$1666
Price Category (NaughtOne) 7	+\$2043



**Product Information**

**Description**

This curve seat is upholstered over a wood frame and high quality foam. Legs are available in steel with polyester powder coat or solid oak or walnut with a matte lacquer finish.

**Notes**

Nominal dimensions rounded to the nearest 1/2 inch.

Type	Width	Depth	Height	Seat Ht.
10	62	27	27	16
20	72	34	27	16

Customer's Own Material (COM) requires the following yardage:

Type	Total	Back and Arms	Seat
10	5		
20	8	4	4

**Specification Information**

**Step 1.**

**NOSYN4**

**Step 2. Type**

- 10 90 degree curve bench
- 20 90 degree curve seat

**Step 3. Upholstery**

*For 90 degree curve bench (10)*

- 1 single fabric

*For 90 degree curve seat (20)*

- 1 single fabric
- 2 multiple fabric

**Prices for Steps 1-3.**

	1	2
<b>NOSYN4 10</b>	\$4165	—
<b>20</b>	\$6250	6250

**Step 4. Base Finish**

- R00** black RAL 9005  +\$0
- R02** stone grey RAL 7030  +\$137
- R03** silver - RAL 9006  +\$137
- R08** traffic orange RAL 2009  +\$137
- R13** pastel blue RAL 5024  +\$137
- R14** signal white RAL9003  +\$0
- R23** black grey RAL 7021  +\$137
- R24** leaf green RAL 6002  +\$137
- R25** pale green RAL 6021  +\$137
- R26** RAL 3020 red  +\$137
- R28** light pink RAL 3015  +\$137
- R29** dark blue RAL 5001  +\$137
- R30** oyster RAL 1013  +\$137
- OAK** oak  +\$600
- WAL** walnut  +\$600
- R38** broom yellow RAL 1032  +\$137
- R39** moss green RAL 6005  +\$137
- R40** steel blue RAL 5011  +\$137

Symbol 90 Degree Curve *continued*

Step 5. Fabric

*For 90 degree curve bench (10) with single fabric (1)*

Price Category (NaughtOne) 0	A	+\$0
Price Category (NaughtOne) 1		+\$0
Price Category (NaughtOne) 2		+\$139
Price Category (NaughtOne) 3		+\$279
Price Category (NaughtOne) 4		+\$416
Price Category (NaughtOne) 5		+\$692
Price Category (NaughtOne) 6		+\$968
Price Category (NaughtOne) 7		+\$1545

*For 90 degree curve seat (20) with single fabric (1)*

Price Category (NaughtOne) 0	A	+\$0
Price Category (NaughtOne) 1		+\$0
Price Category (NaughtOne) 2		+\$185
Price Category (NaughtOne) 3		+\$369
Price Category (NaughtOne) 4		+\$554
Price Category (NaughtOne) 5		+\$966
Price Category (NaughtOne) 6		+\$1291
Price Category (NaughtOne) 7		+\$1659

Step 6. Back and Arm Fabric

*For 90 degree curve seat (20) with multiple fabric (2)*

Price Category (NaughtOne) 0	A	+\$0
Price Category (NaughtOne) 1		+\$0
Price Category (NaughtOne) 2		+\$111
Price Category (NaughtOne) 3		+\$223
Price Category (NaughtOne) 4		+\$333
Price Category (NaughtOne) 5		+\$554
Price Category (NaughtOne) 6		+\$776
Price Category (NaughtOne) 7		+\$1545

Step 7. Seat Fabric

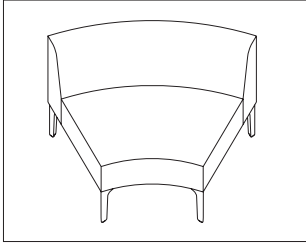
*For 90 degree curve seat (20) with multiple fabric (2)*

Price Category (NaughtOne) 0	A	+\$0
Price Category (NaughtOne) 1		+\$0
Price Category (NaughtOne) 2		+\$537
Price Category (NaughtOne) 3		+\$703
Price Category (NaughtOne) 4		+\$912
Price Category (NaughtOne) 5		+\$1291
Price Category (NaughtOne) 6		+\$1666
Price Category (NaughtOne) 7		+\$2042



Symbol 45 Degree Curve

NOSYN



Product Information

Description

This curve seat is upholstered over a wood frame and high quality foam. Legs are available in steel with polyester powder coat or solid oak or walnut with a matte lacquer finish.

Notes

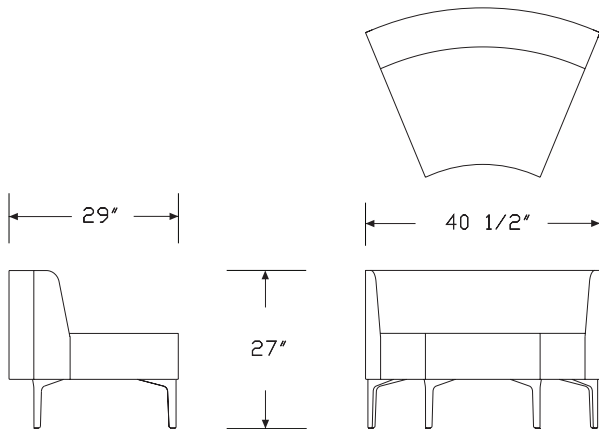
Nominal dimensions rounded to the nearest 1/2 inch.

Type	Width	Depth	Height	Seat Ht.
10	53 1/2	27	16	16
20	40 1/2	29	27	16
30	61 1/2	31	27	16

Customer's Own Material (COM) requires the following yardage:

Type	Total	Back and Arms	Seat
10	3		
20	6	3	3
30	6	3	3

Dimensions



Specification Information

Step 1.

NOSYN5

Step 2. Type

- 10 45 degree curve bench
- 20 45 degree curve seat
- 30 External 45 degree curve seat

Step 3. Upholstery

For 45 degree curve bench (10)

- 1 single fabric

For 45 degree curve seat (20) or External 45 degree curve seat (30)

- 1 single fabric
- 2 multiple fabric

Prices for Steps 1-3.

	1	2
NOSYN5 10	\$3027	—
20	\$4690	4690
30	\$5632	5632

Step 4. Base Finish

- R00 black RAL 9005  +\$0
- R14 signal white RAL9003  +\$0
- R02 stone grey RAL 7030  +\$137
- R03 silver - RAL 9006  +\$137
- R08 traffic orange RAL 2009  +\$137
- R13 pastel blue RAL 5024  +\$137
- R23 black grey RAL 7021  +\$137
- R24 leaf green RAL 6002  +\$137
- R25 pale green RAL 6021  +\$137
- R26 RAL 3020 red  +\$137
- R28 light pink RAL 3015  +\$137
- R29 dark blue RAL 5001  +\$137
- R30 oyster RAL 1013  +\$137
- OAK oak  +\$600
- WAL walnut  +\$600
- R38 broom yellow RAL 1032  +\$137
- R39 moss green RAL 6005  +\$137
- R40 steel blue RAL 5011  +\$137

NaughtOne® Sofa

Step 5. Fabric

*For 45 degree curve bench (10) with single fabric (1)*

Price Category (NaughtOne) 0 <input type="checkbox"/>	+\$0
Price Category (NaughtOne) 1	+\$0
Price Category (NaughtOne) 2	+\$139
Price Category (NaughtOne) 3	+\$278
Price Category (NaughtOne) 4	+\$418
Price Category (NaughtOne) 5	+\$694
Price Category (NaughtOne) 6	+\$973
Price Category (NaughtOne) 7	+\$1253

*For 45 degree curve seat (20) with single fabric (1)*

Price Category (NaughtOne) 0 <input type="checkbox"/>	+\$0
Price Category (NaughtOne) 1	+\$0
Price Category (NaughtOne) 2	+\$187
Price Category (NaughtOne) 3	+\$371
Price Category (NaughtOne) 4	+\$558
Price Category (NaughtOne) 5	+\$931
Price Category (NaughtOne) 6	+\$1301
Price Category (NaughtOne) 7	+\$1671

*For External 45 degree curve seat (30) with single fabric (1)*

Price Category (NaughtOne) 0 <input type="checkbox"/>	+\$0
Price Category (NaughtOne) 1	+\$0
Price Category (NaughtOne) 2	+\$240
Price Category (NaughtOne) 3	+\$479
Price Category (NaughtOne) 4	+\$724
Price Category (NaughtOne) 5	+\$1206
Price Category (NaughtOne) 6	+\$1686
Price Category (NaughtOne) 7	+\$2165

Step 6. Back Fabric

*For 45 degree curve seat (20) with multiple fabric (2)*

Price Category (NaughtOne) 0 <input type="checkbox"/>	+\$0
Price Category (NaughtOne) 1	+\$0
Price Category (NaughtOne) 2	+\$94
Price Category (NaughtOne) 3	+\$186
Price Category (NaughtOne) 4	+\$280
Price Category (NaughtOne) 5	+\$466
Price Category (NaughtOne) 6	+\$651
Price Category (NaughtOne) 7	+\$836
Price Category (NaughtOne) 9	+\$1206

*For External 45 degree curve seat (30) with multiple fabric (2)*

Price Category (NaughtOne) 0 <input type="checkbox"/>	+\$0
Price Category (NaughtOne) 1	+\$0
Price Category (NaughtOne) 2	+\$112
Price Category (NaughtOne) 3	+\$225
Price Category (NaughtOne) 4	+\$339
Price Category (NaughtOne) 5	+\$565
Price Category (NaughtOne) 6	+\$788
Price Category (NaughtOne) 7	+\$1013
Price Category (NaughtOne) 9	+\$1461

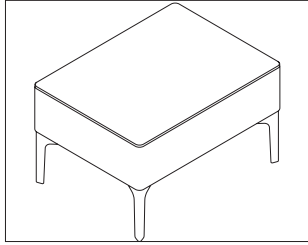
Step 7. Seat Fabric

*For 45 degree curve seat (20) with multiple fabric (2)*

Price Category (NaughtOne) 0 <input type="checkbox"/>	+\$0
Price Category (NaughtOne) 1	+\$141
Price Category (NaughtOne) 2	+\$276
Price Category (NaughtOne) 3	+\$421
Price Category (NaughtOne) 4	+\$562
Price Category (NaughtOne) 5	+\$838
Price Category (NaughtOne) 6	+\$1116
Price Category (NaughtOne) 7	+\$1394

*For External 45 degree curve seat (30) with multiple fabric (2)*

Price Category (NaughtOne) 0 <input type="checkbox"/>	+\$0
Price Category (NaughtOne) 1	+\$300
Price Category (NaughtOne) 2	+\$528
Price Category (NaughtOne) 3	+\$754
Price Category (NaughtOne) 4	+\$982
Price Category (NaughtOne) 5	+\$1440
Price Category (NaughtOne) 6	+\$1900
Price Category (NaughtOne) 7	+\$2359



**Product Information**

**Description**

This coffee table is upholstered over a wood frame and high quality foam. Legs are available in steel with polyester powder coat or solid oak or walnut with a matte lacquer finish. Table top is MDF with several surface finish options.

**Notes**

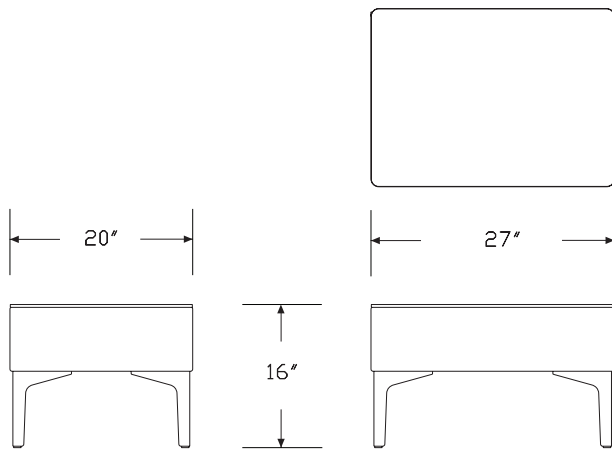
Nominal dimensions rounded to the nearest 1/2 inch.

Type	Width	Depth	Height
10	27	20	16

Customer's Own Material (COM) requires the following yardage:

Type	Total
10	2

**Dimensions**



**Specification Information**

**Step 1.**

**NOSYN6**

**Step 2. Type**

**10** rectangle coffee table

**Step 3. Upholstery**

*For rectangle coffee table (10)*

**1** single fabric

**Prices for Steps 1-3.**

	<b>1</b>
<b>NOSYN6 10</b>	<b>\$2216</b>

**Step 4. Base Finish**

<b>R00</b>	black RAL 9005 <input type="checkbox"/>	+\$0
<b>R14</b>	signal white RAL9003 <input type="checkbox"/>	+\$0
<b>R02</b>	stone grey RAL 7030 <input type="checkbox"/>	+\$137
<b>R03</b>	silver - RAL 9006 <input type="checkbox"/>	+\$137
<b>R08</b>	traffic orange RAL 2009 <input type="checkbox"/>	+\$137
<b>R13</b>	pastel blue RAL 5024 <input type="checkbox"/>	+\$137
<b>R23</b>	black grey RAL 7021 <input type="checkbox"/>	+\$137
<b>R24</b>	leaf green RAL 6002 <input type="checkbox"/>	+\$137
<b>R25</b>	pale green RAL 6021 <input type="checkbox"/>	+\$137
<b>R26</b>	RAL 3020 red <input type="checkbox"/>	+\$137
<b>R28</b>	light pink RAL 3015 <input type="checkbox"/>	+\$137
<b>R29</b>	dark blue RAL 5001 <input type="checkbox"/>	+\$137
<b>R30</b>	oyster RAL 1013 <input type="checkbox"/>	+\$137
<b>OAK</b>	oak <input type="checkbox"/>	+\$600
<b>WAL</b>	walnut <input type="checkbox"/>	+\$600
<b>R38</b>	broom yellow RAL 1032 <input type="checkbox"/>	+\$137
<b>R39</b>	moss green RAL 6005 <input type="checkbox"/>	+\$137
<b>R40</b>	steel blue RAL 5011 <input type="checkbox"/>	+\$137

**Step 5. Surface Finish**

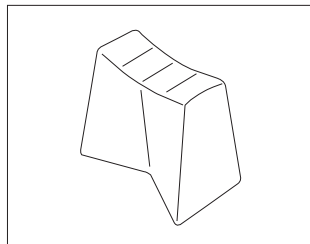
<b>BL</b>	black MF MDF <input type="checkbox"/>	+\$0
<b>WH</b>	white MF MDF <input type="checkbox"/>	+\$0
<b>OAK</b>	oak veneer top <input type="checkbox"/>	+\$132
<b>WLN</b>	walnut veneer top <input type="checkbox"/>	+\$132

# Hatch and Symbol Coffee Table

*continued*

Step 6. Fabric	
Price Category (NaughtOne) 0 <input type="checkbox"/>	+\$0
Price Category (NaughtOne) 1	+\$0
Price Category (NaughtOne) 2	+\$44
Price Category (NaughtOne) 3	+\$93
Price Category (NaughtOne) 4	+\$138
Price Category (NaughtOne) 5	+\$231
Price Category (NaughtOne) 6	+\$323
Price Category (NaughtOne) 7	+\$416

**NaughtOne® Sofa**



**Product Information**

**Description**

This stool is constructed from CNC machined particle board and topped with high quality foam. The cover can be chosen by the customer or recommended by Naughtone.

**Notes**

Nominal dimensions rounded to the nearest 1/2 inch.

Type	Width	Depth	Height	Seat Ht.
100	21½	14	19½	17½
200	23½	17½	16	14
400	75	17½	16	16

Customer's Own Material (COM) requires the following yardage:

Type	Total
100	1½
200	1½
400	2¾

Customer's Own Leather (COL) requires the following square feet:

Type	Total
100	17
200	17
400	49

**Specification Information**

**Step 1.**

**NOPHN**  A

**Step 2. Type**

**100** stool  A

**Prices for Steps 1-2.**

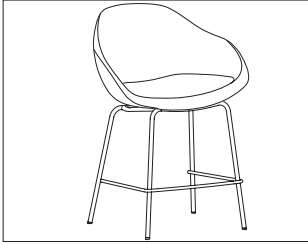
**NOPHN 100** \$1202

**Step 3. Fabric**

Price Category (NaughtOne) 0	<input type="checkbox"/> A	-\$74
Price Category (NaughtOne) 1		+\$0
Price Category (NaughtOne) 2		+\$61
Price Category (NaughtOne) 3		+\$90
Price Category (NaughtOne) 4		+\$150
Price Category (NaughtOne) 5		+\$224
Price Category (NaughtOne) 6		+\$323
Price Category (NaughtOne) 7		+\$350
Price Category (NaughtOne) 9		+\$539

**Step 4. Glide Option**

<b>FG</b>	felt glides <input type="checkbox"/> A	+\$24
<b>PG</b>	plastic glides <input type="checkbox"/> A	+\$0



NaughtOne® Stools

**Product Information**

**Description**

This stool is upholstered over an engineered foam core with a steel frame for base attachment. Bases are available in steel with polyester powder coat or bright chrome finishes.

**Notes**

Nominal dimensions rounded to the nearest 1/2 inch.

Type	Width	Depth	Height	Seat Ht.
8	25	23 1/2	38	26
9	25	23 1/2	42	30

Customer's Own Material (COM) requires the following yardage:

Type	Total	Shell	Seat Pad
8-9	2 1/4	2	1

Customer's Own Leather (COL) requires the following square feet:

Type	Total	Shell	Seat Pad
8-9	41	36	18

**Specification Information**

**Step 1.**

**NOALN1**

**Step 2. Base Type**

- 8 counter height stool 4-leg
- 9 bar stool 4 leg

**Step 3. Upholstery**

- 1 single fabric
- 2 multiple fabric

**Prices for Steps 1-3.**

	1	2
<b>NOALN1 8</b>	\$2423	2423
<b>9</b>	\$2423	2423

**Step 4. Base Finish**

*For counter height stool 4-leg (8)*

<b>R00</b>	RAL 9005 black <input type="checkbox"/>	+\$0
<b>R02</b>	RAL 7030 stone grey <input type="checkbox"/>	+\$140
<b>R03</b>	RAL 9006 silver <input type="checkbox"/>	+\$140
<b>R08</b>	RAL 2009 orange <input type="checkbox"/>	+\$140
<b>R13</b>	RAL 5024 pastel blue <input type="checkbox"/>	+\$140
<b>R14</b>	RAL 9003 white <input type="checkbox"/>	+\$0
<b>R23</b>	RAL 7021 black grey <input type="checkbox"/>	+\$140
<b>R24</b>	leaf green RAL 6002 <input type="checkbox"/>	+\$140
<b>R25</b>	RAL 6021 green <input type="checkbox"/>	+\$140
<b>R26</b>	RAL 3020 red <input type="checkbox"/>	+\$140
<b>R28</b>	RAL 3015 light pink <input type="checkbox"/>	+\$140
<b>R29</b>	RAL 5001 blue <input type="checkbox"/>	+\$140
<b>R30</b>	RAL 1013 oyster <input type="checkbox"/>	+\$140
<b>R38</b>	broom yellow RAL 1032 <input type="checkbox"/>	+\$140
<b>R39</b>	moss green RAL 6005 <input type="checkbox"/>	+\$140
<b>R40</b>	steel blue RAL 5011 <input type="checkbox"/>	+\$140
<b>CHR</b>	chrome <input type="checkbox"/>	+\$86

*For bar stool 4 leg (9)*

<b>R00</b>	RAL 9005 black [A]	+\$0
<b>R02</b>	RAL 7030 stone grey [A]	+\$140
<b>R03</b>	RAL 9006 silver [A]	+\$140
<b>R08</b>	RAL 2009 orange [A]	+\$140
<b>R13</b>	RAL 5024 pastel blue [A]	+\$140
<b>R14</b>	RAL 9003 white [A]	+\$0
<b>R23</b>	RAL 7021 black grey [A]	+\$140
<b>R24</b>	leaf green RAL 6002 [A]	+\$140
<b>R25</b>	RAL 6021 green [A]	+\$140
<b>R26</b>	RAL 3020 red [A]	+\$140
<b>R28</b>	RAL 3015 light pink [A]	+\$140
<b>R29</b>	RAL 5001 blue [A]	+\$140
<b>R30</b>	RAL 1013 oyster [A]	+\$140
<b>R38</b>	broom yellow RAL 1032 [A]	+\$140
<b>R39</b>	moss green RAL 6005 [A]	+\$140
<b>R40</b>	steel blue RAL 5011 [A]	+\$140
<b>CHR</b>	chrome [A]	+\$86

Step 5. Fabric

*For counter height stool 4-leg (8) with single fabric (1)*

Price Category (NaughtOne) 0 [A]	+\$0
Price Category (NaughtOne) 1	+\$0
Price Category (NaughtOne) 2	+\$71
Price Category (NaughtOne) 3	+\$141
Price Category (NaughtOne) 4	+\$212
Price Category (NaughtOne) 5	+\$354
Price Category (NaughtOne) 6	+\$495
Price Category (NaughtOne) 7	+\$636

*For bar stool 4 leg (9) with single fabric (1)*

Price Category (NaughtOne) 0 [A]	+\$0
Price Category (NaughtOne) 1	+\$0
Price Category (NaughtOne) 2	+\$71
Price Category (NaughtOne) 3	+\$141
Price Category (NaughtOne) 4	+\$212
Price Category (NaughtOne) 5	+\$354
Price Category (NaughtOne) 6	+\$495
Price Category (NaughtOne) 7	+\$636

Step 6. Shell Band Fabric

*For counter height stool 4-leg (8) with multiple fabric (2)*

Price Category (NaughtOne) 0 [A]	+\$0
Price Category (NaughtOne) 1	+\$0
Price Category (NaughtOne) 2	+\$43
Price Category (NaughtOne) 3	+\$85
Price Category (NaughtOne) 4	+\$129
Price Category (NaughtOne) 5	+\$213
Price Category (NaughtOne) 6	+\$297

*For bar stool 4 leg (9) with multiple fabric (2)*

Price Category (NaughtOne) 0 [A]	+\$0
Price Category (NaughtOne) 1	+\$0
Price Category (NaughtOne) 2	+\$43
Price Category (NaughtOne) 3	+\$85
Price Category (NaughtOne) 4	+\$129
Price Category (NaughtOne) 5	+\$213
Price Category (NaughtOne) 6	+\$297

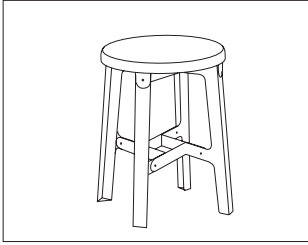
Step 7. Seat Fabric

*For counter height stool 4-leg (8) with multiple fabric (2)*

Price Category (NaughtOne) 0 [A]	+\$0
Price Category (NaughtOne) 1	+\$50
Price Category (NaughtOne) 2	+\$93
Price Category (NaughtOne) 3	+\$137
Price Category (NaughtOne) 4	+\$176
Price Category (NaughtOne) 5	+\$261
Price Category (NaughtOne) 6	+\$345
Price Category (NaughtOne) 7	+\$427
Price Category (NaughtOne) 9	+\$595

*For bar stool 4 leg (9) with multiple fabric (2)*

Price Category (NaughtOne) 0 [A]	+\$0
Price Category (NaughtOne) 1	+\$50
Price Category (NaughtOne) 2	+\$93
Price Category (NaughtOne) 3	+\$137
Price Category (NaughtOne) 4	+\$176
Price Category (NaughtOne) 5	+\$261
Price Category (NaughtOne) 6	+\$345
Price Category (NaughtOne) 7	+\$427
Price Category (NaughtOne) 9	+\$595



NaughtOne® Stools

**Product Information**

**Description**

This stool has a base of laser cut, folded steel fastened together with aluminum aircraft rivets and finished with polyester powder coat. Top is solid oak finished with light matte lacquer.

**Notes**

Standard base color is white. RAL colors available on request.

Nominal dimensions rounded to the nearest 1/2 inch.

Type	Width	Depth	Height
00	13 1/2	13 1/2	17 1/2
20	17	17	30
30	17	17	26

**Specification Information**

**Step 1.**

**NOCSN1**

**Step 2. Type**

- 00** low stool
- 20** barstool
- 30** counter height stool

**Prices for Steps 1-2.**

<b>NOCSN1 00</b>	\$880
<b>20</b>	\$1279
<b>30</b>	\$1275

**Step 3. Leg Finish**

<b>R00</b> black RAL 9005 <input type="checkbox"/>	+\$0
<b>R02</b> stone grey RAL 7030 <input type="checkbox"/>	+\$135
<b>R03</b> silver - RAL 9006 <input type="checkbox"/>	+\$135
<b>R26</b> RAL 3020 red <input type="checkbox"/>	+\$135
<b>R08</b> traffic orange RAL 2009 <input type="checkbox"/>	+\$135
<b>R13</b> pastel blue RAL 5024 <input type="checkbox"/>	+\$135
<b>R14</b> signal white RAL9003 <input type="checkbox"/>	+\$0
<b>R23</b> black grey RAL 7021 <input type="checkbox"/>	+\$135
<b>R24</b> leaf green RAL 6002 <input type="checkbox"/>	+\$135
<b>R25</b> pale green RAL 6021 <input type="checkbox"/>	+\$135
<b>R28</b> light pink RAL 3015 <input type="checkbox"/>	+\$135
<b>R29</b> dark blue RAL 5001 <input type="checkbox"/>	+\$135
<b>R30</b> oyster RAL 1013 <input type="checkbox"/>	+\$135
<b>R38</b> broom yellow RAL 1032 <input type="checkbox"/>	+\$135
<b>R39</b> moss green RAL 6005 <input type="checkbox"/>	+\$135
<b>R40</b> steel blue RAL 5011 <input type="checkbox"/>	+\$135

**Step 4. Surface Finish**

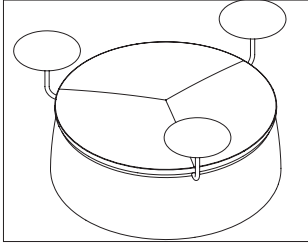
*For low stool (00)*

<b>OAK</b> oak <input type="checkbox"/>	+\$0
<b>WLN</b> walnut <input type="checkbox"/>	+\$60

*For barstool (20) or counter height stool (30)*

<b>OAK</b> oak <input type="checkbox"/>	+\$0
<b>WLN</b> walnut <input type="checkbox"/>	+\$41





**Product Information**

**Description**

This 3-seat stool is upholstered over a plywood inner frame topped with high quality foams. Stool can be upholstered in a single fabric or multiple fabrics. Tables are MDF with several surface finish options and polished MDF edges.

**Notes**

Nominal dimensions rounded to the nearest 1/2 inch.

Type	Width	Depth	Height	Seat Ht.
3	47 1/2	47 1/2	19 1/2	19
4	56	57 1/2	28	19

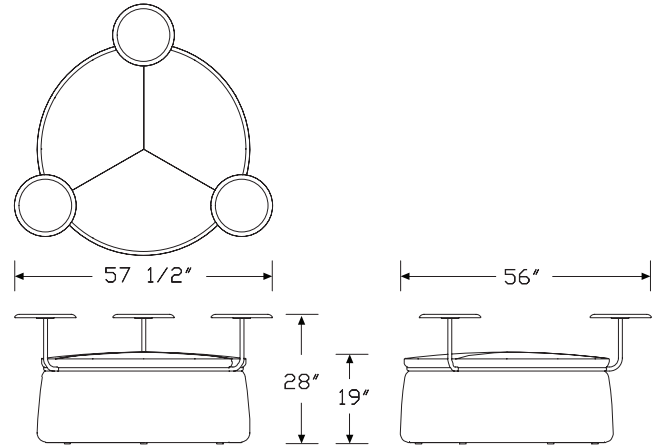
Customer's Own Material (COM) requires the following yardage:

Type	Total	Body	Seat
3	7		
4	7	4	3

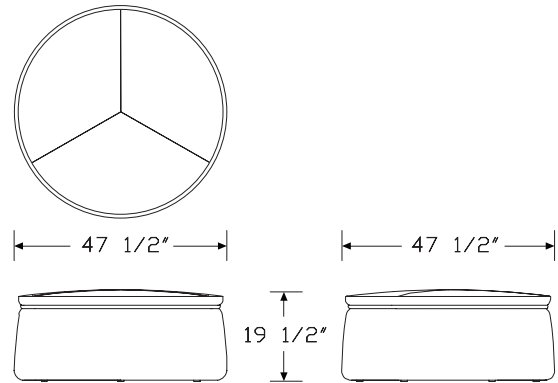
Customer's Own Leather (COL) requires the following square feet:

Type	Total	Body	Seat
3	112		
4	112	64	48

**Dimensions**



3-Seat Stool and Tables



3-Seat Stool

**Specification Information**

Step 1.

**NOLAS**

Step 2. Type

**3** 3-seat stool

**4** 3-seat stool and tables

Step 3. Upholstery

**1** single fabric

**2** multiple fabric

Prices for Steps 1-3.

		1	2
<b>NOLAS</b>	<b>3</b>	\$4362	4362
	<b>4</b>	\$4987	4987

Step 4. Ring/Tablet Ring

<b>R00</b>	RAL 9005 black <input type="checkbox"/>	+\$0
<b>R02</b>	RAL 7030 stone grey <input type="checkbox"/>	+\$234
<b>R03</b>	RAL 9006 silver <input type="checkbox"/>	+\$234
<b>R08</b>	RAL 2009 orange <input type="checkbox"/>	+\$234
<b>R13</b>	RAL 5024 pastel blue <input type="checkbox"/>	+\$234
<b>R14</b>	RAL 9003 white <input type="checkbox"/>	+\$0
<b>R23</b>	RAL 7021 black grey <input type="checkbox"/>	+\$234
<b>R24</b>	leaf green RAL 6002 <input type="checkbox"/>	+\$234
<b>R25</b>	RAL 6021 green <input type="checkbox"/>	+\$234
<b>R26</b>	RAL 3020 red <input type="checkbox"/>	+\$234
<b>R28</b>	RAL 3015 light pink <input type="checkbox"/>	+\$234
<b>R29</b>	RAL 5001 blue <input type="checkbox"/>	+\$234
<b>R30</b>	RAL 1013 oyster <input type="checkbox"/>	+\$234
<b>R38</b>	broom yellow RAL 1032 <input type="checkbox"/>	+\$234
<b>R39</b>	moss green RAL 6005 <input type="checkbox"/>	+\$234
<b>R40</b>	steel blue RAL 5011 <input type="checkbox"/>	+\$234

Step 5. Surface Finish

*For 3-seat stool and tables (4)*

<b>BRC</b>	black MFMDf top <input type="checkbox"/>	+\$0
<b>OAK</b>	oak veneer top <input type="checkbox"/>	+\$155
<b>WLN</b>	walnut veneer top <input type="checkbox"/>	+\$155
<b>WRC</b>	white MFMDf top <input type="checkbox"/>	+\$0

Step 6. Fabric

*For single fabric (1)*

Price Category (NaughtOne) 0 <input type="checkbox"/>	+\$0
Price Category (NaughtOne) 1	+\$0
Price Category (NaughtOne) 2	+\$150
Price Category (NaughtOne) 3	+\$298
Price Category (NaughtOne) 4	+\$447
Price Category (NaughtOne) 5	+\$746
Price Category (NaughtOne) 6	+\$1041
Price Category (NaughtOne) 7	+\$1341
Price Category (NaughtOne) 9	+\$1935

Step 7. Body Fabric

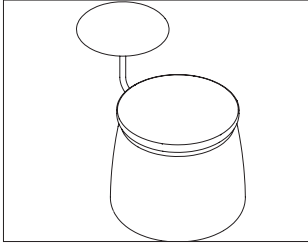
*For multiple fabric (2)*

Price Category (NaughtOne) 0 <input type="checkbox"/>	+\$0
Price Category (NaughtOne) 1	+\$0
Price Category (NaughtOne) 2	+\$95
Price Category (NaughtOne) 3	+\$185
Price Category (NaughtOne) 4	+\$277
Price Category (NaughtOne) 5	+\$463
Price Category (NaughtOne) 6	+\$647
Price Category (NaughtOne) 7	+\$832
Price Category (NaughtOne) 9	+\$1201

Step 8. Seat Top Fabric

*For multiple fabric (2)*

Price Category (NaughtOne) 0 <input type="checkbox"/>	+\$0
Price Category (NaughtOne) 1	+\$0
Price Category (NaughtOne) 2	+\$57
Price Category (NaughtOne) 3	+\$114
Price Category (NaughtOne) 4	+\$172
Price Category (NaughtOne) 5	+\$283
Price Category (NaughtOne) 6	+\$395
Price Category (NaughtOne) 7	+\$510
Price Category (NaughtOne) 9	+\$736



**Product Information**

**Description**

This single stool is upholstered over a plywood inner frame topped with high quality foams. Stool can be upholstered in a single fabric or multiple fabrics. Table is MDF with several surface finish options and polished MDF edge.

**Notes**

Nominal dimensions rounded to the nearest 1/2 inch.

Type	Width	Depth	Height	Seat Ht.
1	20	20	19	19
2	20	28 1/2	28	19

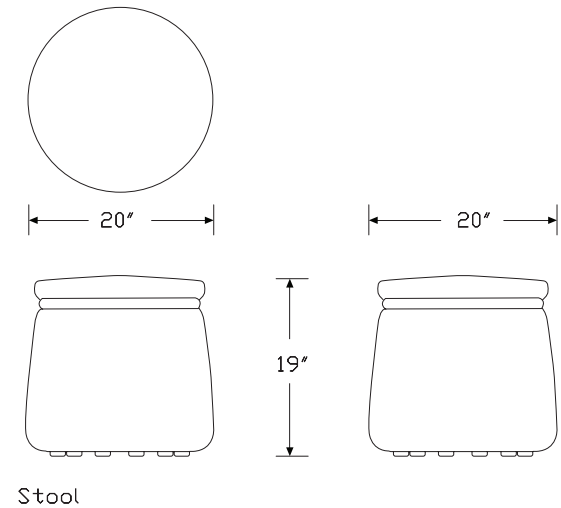
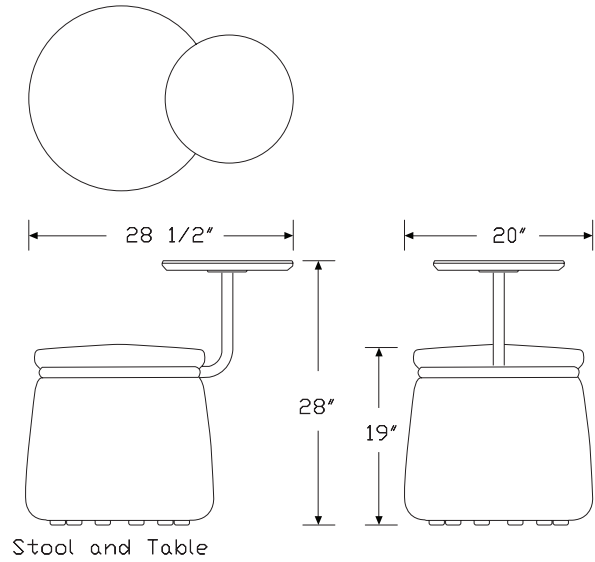
Customer's Own Material (COM) requires the following yardage:

Type	Total	Body	Seat
1	3		
2	3	2	1

Customer's Own Leather (COL) requires the following square feet:

Type	Total	Body	Seat
1	48		
2	48	32	16

**Dimensions**



**Specification Information**

Step 1.

**NOLAS**

Step 2. Type

- 1 single stool
- 2 single stool and table

Step 3. Upholstery

- 1 single fabric
- 2 multiple fabric

Prices for Steps 1-3.

	1	2
<b>NOLAS</b> 1	\$1597	1597
2	\$1834	1834

Step 4. Ring/Tablet Ring

- R00** RAL 9005 black  +\$0
- R02** RAL 7030 stone grey  +\$140
- R03** RAL 9006 silver  +\$140
- R08** RAL 2009 orange  +\$140
- R13** RAL 5024 pastel blue  +\$140
- R14** RAL 9003 white  +\$0
- R23** RAL 7021 black grey  +\$140
- R24** leaf green RAL 6002  +\$140
- R25** RAL 6021 green  +\$140
- R26** RAL 3020 red  +\$140
- R28** RAL 3015 light pink  +\$140
- R29** RAL 5001 blue  +\$140
- R30** RAL 1013 oyster  +\$140
- R38** broom yellow RAL 1032  +\$140
- R39** moss green RAL 6005  +\$140
- R40** steel blue RAL 5011  +\$140

Step 5. Surface Finish

*For single stool and table (2)*

- BRC** black MFMDf top  +\$0
- OAK** oak veneer top  +\$52
- WLN** walnut veneer top  +\$52
- WRC** white MFMDf top  +\$0

Step 6. Fabric

*For single fabric (1)*

- Price Category (NaughtOne) 0  +\$0
- Price Category (NaughtOne) 1 +\$0
- Price Category (NaughtOne) 2 +\$56
- Price Category (NaughtOne) 3 +\$112
- Price Category (NaughtOne) 4 +\$171
- Price Category (NaughtOne) 5 +\$285
- Price Category (NaughtOne) 6 +\$397
- Price Category (NaughtOne) 7 +\$512
- Price Category (NaughtOne) 9 +\$740

Step 7. Body Fabric

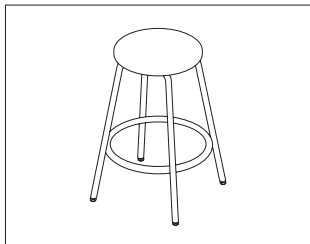
*For multiple fabric (2)*

- Price Category (NaughtOne) 0  +\$0
- Price Category (NaughtOne) 1 +\$0
- Price Category (NaughtOne) 2 +\$41
- Price Category (NaughtOne) 3 +\$80
- Price Category (NaughtOne) 4 +\$122
- Price Category (NaughtOne) 5 +\$202
- Price Category (NaughtOne) 6 +\$283
- Price Category (NaughtOne) 7 +\$362
- Price Category (NaughtOne) 9 +\$526

Step 8. Seat Top Fabric

*For multiple fabric (2)*

- Price Category (NaughtOne) 0  +\$0
- Price Category (NaughtOne) 1 +\$57
- Price Category (NaughtOne) 2 +\$88
- Price Category (NaughtOne) 3 +\$124
- Price Category (NaughtOne) 4 +\$159
- Price Category (NaughtOne) 5 +\$227
- Price Category (NaughtOne) 6 +\$296
- Price Category (NaughtOne) 7 +\$367
- Price Category (NaughtOne) 9 +\$504



**Product Information**

**Description**

This stool has a base of laser cut, bent and welded steel tube, finished with polyester powder coat. Seat top is solid hardwood finished with a clear lacquer.

**Notes**

Nominal dimensions rounded to the nearest 1/2 inch.

Type	Width	Depth	Height
LO	14	14	17½
CH	17	17	25½
BS	17	17	29½

**Specification Information**

**Step 1.**

**NOPEN**

**Step 2. Type**

**LO** low stool

**CH** counter height stool

**BS** barstool

**Prices for Steps 1-2.**

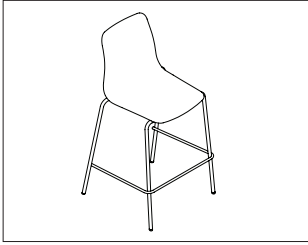
<b>NOPEN LO</b>	\$622
<b>CH</b>	\$728
<b>BS</b>	\$728

**Step 3. Leg Finish**

<b>R00</b> black RAL 9005 <input type="checkbox"/>	+\$0
<b>R02</b> stone grey RAL 7030 <input type="checkbox"/>	+\$141
<b>R03</b> silver - RAL 9006 <input type="checkbox"/>	+\$141
<b>R08</b> traffic orange RAL 2009 <input type="checkbox"/>	+\$141
<b>R13</b> pastel blue RAL 5024 <input type="checkbox"/>	+\$141
<b>R14</b> signal white RAL9003 <input type="checkbox"/>	+\$0
<b>R23</b> black grey RAL 7021 <input type="checkbox"/>	+\$141
<b>R24</b> leaf green RAL 6002 <input type="checkbox"/>	+\$141
<b>R25</b> pale green RAL 6021 <input type="checkbox"/>	+\$141
<b>R26</b> RAL 3020 red <input type="checkbox"/>	+\$141
<b>R28</b> light pink RAL 3015 <input type="checkbox"/>	+\$141
<b>R29</b> dark blue RAL 5001 <input type="checkbox"/>	+\$141
<b>R30</b> oyster RAL 1013 <input type="checkbox"/>	+\$141
<b>R38</b> broom yellow RAL 1032 <input type="checkbox"/>	+\$141
<b>R39</b> moss green RAL 6005 <input type="checkbox"/>	+\$141
<b>R40</b> steel blue RAL 5011 <input type="checkbox"/>	+\$141

**Step 4. Seat Finish**

<b>OAK</b> oak <input type="checkbox"/>	+\$0
<b>WLN</b> walnut <input type="checkbox"/>	+\$125



NaughtOne® Stools

**Product Information**

**Description**

This stool is molded in the UK using 100% recyclable glass reinforced polypropylene and is available with or without an upholstered seat pad. Base is solid bar steel finished with powder coat or chrome. Stool is available in several standard colors. 4-leg and sled base stools are stackable on the floor up to 6 high or up to 3 high with seat pads.

**Notes**

Nominal dimensions rounded to the nearest 1/2 inch.

Type	Width	Depth	Height	Seat Ht.
300	23 1/2	21	43 1/2	29 1/2
320	22 1/2	22 1/2	43 1/2	29 1/2
500	23 1/2	21	39 1/2	25 1/2
520	22 1/2	22 1/2	43 1/2	25 1/2

Seat pad accepts Customer's Own Material (COM)/Customer's Own Leather (COL). COM requires 1 yard; COL requires 16 1/4 square feet. See Order Information in appendices.

**Specification Information**

**Step 1.**

**NOPLN**

**Step 2. Base/Arm Type**

- 300** 4-leg barstool - no arms
- 320** sled base barstool - no arms
- 500** 4-leg counter height stool - no arms
- 520** sled base - counter height stool - no arms

**Step 3. Seat Pad**

- NP** no seat pad
- SP** seat pad

**Prices for Steps 1-3.**

		NP	SP
<b>NOPLN</b>	<b>300</b>	\$781	781
	<b>320</b>	\$880	880
	<b>500</b>	\$781	781
	<b>520</b>	\$880	880

**Step 4. Base Finish**

*For 4-leg barstool - no arms (300) or 4-leg counter height stool - no arms (500)*

<b>CHR</b>	chrome <input type="checkbox"/>	+\$59
<b>R00</b>	black RAL 9005	+\$0
<b>R02</b>	stone grey RAL 7030	+\$0
<b>R03</b>	silver - RAL 9006	+\$0
<b>R08</b>	traffic orange RAL 2009	+\$0
<b>R13</b>	pastel blue RAL 5024	+\$0
<b>R14</b>	signal white RAL9003	+\$0
<b>R23</b>	black grey RAL 7021	+\$0
<b>R24</b>	leaf green RAL 6002	+\$0
<b>R25</b>	pale green RAL 6021	+\$0
<b>R26</b>	RAL 3020 red	+\$0
<b>R28</b>	light pink RAL 3015	+\$0
<b>R29</b>	dark blue RAL 5001	+\$0
<b>R30</b>	oyster RAL 1013 <input type="checkbox"/>	+\$0
<b>R38</b>	broom yellow RAL 1032 <input type="checkbox"/>	+\$0
<b>R39</b>	moss green RAL 6005 <input type="checkbox"/>	+\$0
<b>R40</b>	steel blue RAL 5011 <input type="checkbox"/>	+\$0

## Polly Stool *continued*

For sled base barstool - no arms (320) or sled base - counter height stool - no arms (520)

<b>CHR</b>	chrome <input type="checkbox"/>	+\$145
<b>R00</b>	black RAL 9005	+\$0
<b>R02</b>	stone grey RAL 7030	+\$0
<b>R03</b>	silver - RAL 9006 <input type="checkbox"/>	+\$0
<b>R08</b>	traffic orange RAL 2009 <input type="checkbox"/>	+\$0
<b>R13</b>	pastel blue RAL 5024	+\$0
<b>R14</b>	signal white RAL9003	+\$0
<b>R23</b>	black grey RAL 7021	+\$0
<b>R24</b>	leaf green RAL 6002 <input type="checkbox"/>	+\$0
<b>R25</b>	pale green RAL 6021	+\$0
<b>R26</b>	RAL 3020 red <input type="checkbox"/>	+\$0
<b>R28</b>	light pink RAL 3015 <input type="checkbox"/>	+\$0
<b>R29</b>	dark blue RAL 5001 <input type="checkbox"/>	+\$0
<b>R30</b>	oyster RAL 1013 <input type="checkbox"/>	+\$0
<b>R38</b>	broom yellow RAL 1032 <input type="checkbox"/>	+\$0
<b>R39</b>	moss green RAL 6005 <input type="checkbox"/>	+\$0
<b>R40</b>	steel blue RAL 5011 <input type="checkbox"/>	+\$0

### Step 5. Shell Finish

<b>R02</b>	stone grey RAL 7030 <input type="checkbox"/>	+\$0
<b>R13</b>	pastel blue RAL 5024 <input type="checkbox"/>	+\$0
<b>R14</b>	signal white RAL9003 <input type="checkbox"/>	+\$0
<b>R23</b>	black grey RAL 7021 <input type="checkbox"/>	+\$0
<b>R25</b>	pale green RAL 6021 <input type="checkbox"/>	+\$0
<b>R26</b>	RAL 3020 red <input type="checkbox"/>	+\$0
<b>R30</b>	oyster RAL 1013 <input type="checkbox"/>	+\$0
<b>R38</b>	broom yellow RAL 1032 <input type="checkbox"/>	+\$0
<b>R39</b>	moss green RAL 6005 <input type="checkbox"/>	+\$0
<b>R40</b>	steel blue RAL 5011 <input type="checkbox"/>	+\$0

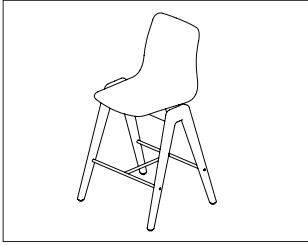
### Step 6. Seat Pad Fabric

For seat pad (SP)

Price Category (NaughtOne) 0 <input type="checkbox"/>	+\$218
Price Category (NaughtOne) 1	+\$218
Price Category (NaughtOne) 2	+\$240
Price Category (NaughtOne) 3	+\$260
Price Category (NaughtOne) 4	+\$281
Price Category (NaughtOne) 5	+\$321
Price Category (NaughtOne) 6	+\$362
Price Category (NaughtOne) 7	+\$402
Price Category (NaughtOne) 9	+\$485

### Step 7. Glide Option

<b>FG</b>	felt glides <input type="checkbox"/>	+\$24
<b>PG</b>	plastic glides <input type="checkbox"/>	+\$0



NaughtOne® Stools

**Product Information**

**Description**

This stool is molded in the UK using 100% recyclable glass reinforced polypropylene. Bases are solid oak or walnut. Stool is available in several standard colors and with or without an upholstered seat pad.

**Notes**

Nominal dimensions rounded to the nearest 1/2 inch.

Type	Width	Depth	Height	Seat Ht.
300	22 1/2	20	40	26
301	22 1/2	20	40	26
400	22 1/2	22	42 1/2	29 1/2
401	22 1/2	22	42 1/2	29 1/2

Seat pad accepts Customer's Own Material (COM)/Customer's Own Leather (COL). COM requires 1 yard; COL requires 16 1/4 square feet. See Order Information in appendices.

**Specification Information**

**Step 1.**

**NOPWN**

**Step 2. Type**

- 300** counter height stool - no seat pad
- 301** counter height stool - with seat pad
- 400** bar height stool - no seat pad
- 401** bar height stool - with seat pad

**Prices for Steps 1-2.**

<b>NOPWN</b>	<b>300</b>	\$2283
	<b>301</b>	\$2283
	<b>400</b>	\$2388
	<b>401</b>	\$2388

**Step 3. Base Finish**

*For counter height stool - no seat pad (300) or counter height stool - with seat pad (301)*

<b>OAK</b>	oak <input type="checkbox"/>	+\$0
<b>WAL</b>	walnut <input type="checkbox"/>	+\$86

*For bar height stool - no seat pad (400) or bar height stool - with seat pad (401)*

<b>OAK</b>	oak <input type="checkbox"/>	+\$0
<b>WAL</b>	walnut <input type="checkbox"/>	+\$86

**Step 4. Shell Finish**

<b>R02</b>	stone grey RAL 7030 <input type="checkbox"/>	+\$0
<b>R13</b>	pastel blue RAL 5024 <input type="checkbox"/>	+\$0
<b>R14</b>	signal white RAL9003 <input type="checkbox"/>	+\$0
<b>R23</b>	black grey RAL 7021 <input type="checkbox"/>	+\$0
<b>R25</b>	pale green RAL 6021 <input type="checkbox"/>	+\$0
<b>R26</b>	RAL 3020 red <input type="checkbox"/>	+\$0
<b>R30</b>	oyster RAL 1013 <input type="checkbox"/>	+\$0
<b>R38</b>	broom yellow RAL 1032 <input type="checkbox"/>	+\$0
<b>R39</b>	moss green RAL 6005 <input type="checkbox"/>	+\$0
<b>R40</b>	steel blue RAL 5011 <input type="checkbox"/>	+\$0



## Polly Wood Stool *continued*

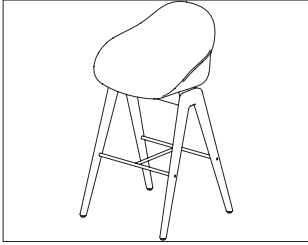
### Step 5. Seat Pad Fabric

*For counter height stool - with seat pad (301) or bar height stool  
- with seat pad (401)*

Price Category (NaughtOne) 0	<input type="checkbox"/>	+\$0
Price Category (NaughtOne) 1		+\$218
Price Category (NaughtOne) 2		+\$240
Price Category (NaughtOne) 3		+\$260
Price Category (NaughtOne) 4		+\$281
Price Category (NaughtOne) 5		+\$321
Price Category (NaughtOne) 6		+\$362
Price Category (NaughtOne) 7		+\$402
Price Category (NaughtOne) 9		+\$485

### Step 6. Glide Option

<b>FG</b>	felt glides	<input type="checkbox"/>	+\$24
<b>PG</b>	plastic glides	<input type="checkbox"/>	+\$0



NaughtOne® Stools

**Product Information**

**Description**

This stool is molded using 100% recyclable glass reinforced polypropylene. Base is solid oak or walnut. Stool is available in several standard colors and with or without an upholstered seat pad.

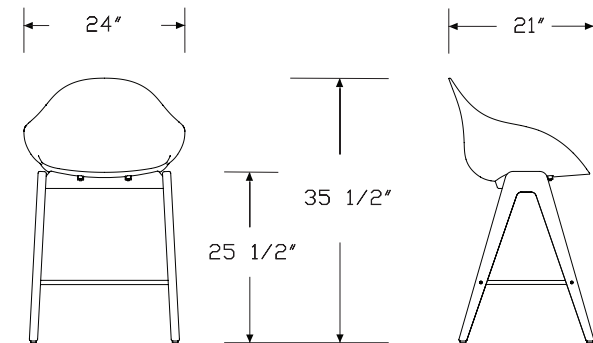
**Notes**

Nominal dimensions rounded to the nearest 1/2 inch.

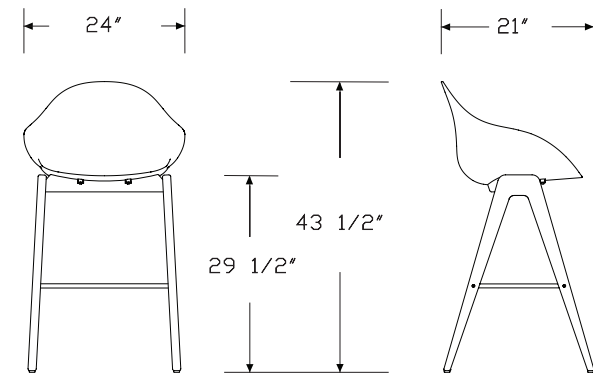
Type	Width	Depth	Height	Seat Ht.
300	24	21	35 1/2	25 1/2
400	24	21	43 1/2	29 1/2

Seat pad accepts Customer's Own Material (COM)/Customer's Own Leather (COL). COM requires 1 yard; COL requires 16 1/4 square feet.

**Dimensions**



Counter height stool



Bar stool

**Specification Information**

**Step 1.**

**NORBW**  A

**Step 2. Type**

**300** counter height stool  A

**400** barstool  A

**Step 3. Seat Pad**

**NP** no seat pad  A

**SP** seat pad  A

**Prices for Steps 1-3.**

		NP	SP
<b>NORBW</b>	<b>300</b>	\$2309	2309
	<b>400</b>	\$2413	2413

**Step 4. Base Finish**

**OAK** oak  A +\$0

**WAL** walnut  A +\$86

**Step 5. Shell Finish**

**R02** stone grey RAL 7030  A +\$0

**R13** pastel blue RAL 5024  A +\$0

**R14** signal white RAL9003  A +\$0

**R23** black grey RAL 7021  A +\$0

**R25** pale green RAL 6021  A +\$0

**R26** RAL 3020 red  A +\$0

**R30** oyster RAL 1013  A +\$0

**R38** broom yellow RAL 1032  A +\$0

**R39** moss green RAL 6005  A +\$0

**R40** steel blue RAL 5011  A +\$0

**Step 6. Seat Pad Fabric**

*For seat pad (SP)*

Price Category (NaughtOne) 0  A +\$218

Price Category (NaughtOne) 1 +\$218

Price Category (NaughtOne) 2 +\$240

Price Category (NaughtOne) 3 +\$260

Price Category (NaughtOne) 4 +\$281

Price Category (NaughtOne) 5 +\$321

Price Category (NaughtOne) 6 +\$362

Price Category (NaughtOne) 7 +\$402

Price Category (NaughtOne) 9 +\$484

# Ruby Wood Stool *continued*

---

Step 7. Glide Option		
<b>PG</b>	plastic glides <input type="checkbox"/> A	+\$0
<b>FG</b>	felt glides <input type="checkbox"/> A	+\$24

# Ruby Stool

# NORBY



NaughtOne® Stools

### Product Information

#### Description

This stool is molded using 100% recyclable glass reinforced polypropylene. Base options are tubular or solid bar steel finished with powder coat or chrome. Stool is available in several standard colors and with or without an upholstered seat pad.

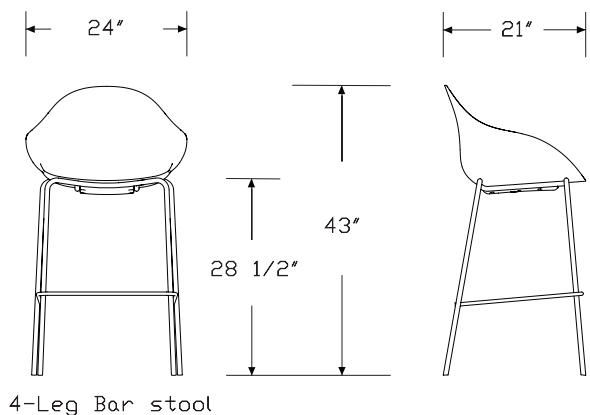
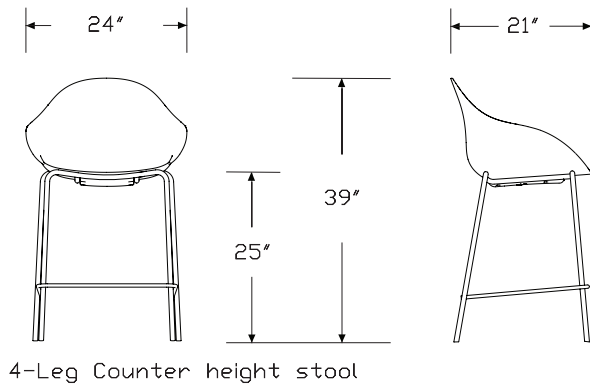
#### Notes

Nominal dimensions rounded to the nearest 1/2 inch.

Type	Width	Depth	Height	Seat Ht.
300	24	21	43	28 1/2
320	24	22	43	28 1/2
500	24	21	39	25
520	24	21 1/2	39	25

Seat pad accepts Customer's Own Material (COM)/Customer's Own Leather (COL). COM requires 1 yard; COL requires 16 1/4 square feet.

#### Dimensions



### Specification Information

#### Step 1.

**NORBY**

#### Step 2. Type

- 300** 4 leg barstool
- 320** sled base barstool
- 500** 4 leg counter height stool
- 520** sled base counter height stool

#### Step 3. Seat Pad

- NP** no seat pad
- SP** seat pad

#### Prices for Steps 1-3.

	NP	SP
<b>NORBY 300</b>	\$806	806
<b>320</b>	\$906	906
<b>500</b>	\$806	806
<b>520</b>	\$906	906

#### Step 4. Base Finish

<b>R00</b>	RAL 9005 black <input type="checkbox"/>	+\$0
<b>R02</b>	RAL 7030 stone grey <input type="checkbox"/>	+\$0
<b>R03</b>	RAL 9006 silver <input type="checkbox"/>	+\$0
<b>R08</b>	RAL 2009 orange <input type="checkbox"/>	+\$0
<b>R13</b>	RAL 5024 pastel blue <input type="checkbox"/>	+\$0
<b>R14</b>	RAL 9003 white <input type="checkbox"/>	+\$0
<b>R23</b>	RAL 7021 black grey <input type="checkbox"/>	+\$0
<b>R24</b>	RAL 6002 leaf green <input type="checkbox"/>	+\$0
<b>R25</b>	RAL 6021 green <input type="checkbox"/>	+\$0
<b>R28</b>	RAL 3015 light pink <input type="checkbox"/>	+\$0
<b>R29</b>	RAL 5001 blue <input type="checkbox"/>	+\$0
<b>R26</b>	RAL 3020 red <input type="checkbox"/>	+\$0
<b>R30</b>	RAL 1013 oyster <input type="checkbox"/>	+\$0
<b>R38</b>	broom yellow RAL 1032 <input type="checkbox"/>	+\$0
<b>R39</b>	moss green RAL 6005 <input type="checkbox"/>	+\$0
<b>R40</b>	steel blue RAL 5011 <input type="checkbox"/>	+\$0
<b>CHR</b>	chrome <input type="checkbox"/>	+\$61

## Ruby Stool *continued*

### Step 5. Shell Finish

<b>R02</b>	stone grey RAL 7030	<input type="checkbox"/> A	+\$0
<b>R13</b>	pastel blue RAL 5024	<input type="checkbox"/> A	+\$0
<b>R14</b>	signal white RAL9003	<input type="checkbox"/> A	+\$0
<b>R23</b>	black grey RAL 7021	<input type="checkbox"/> A	+\$0
<b>R25</b>	pale green RAL 6021	<input type="checkbox"/> A	+\$0
<b>R26</b>	RAL 3020 red	<input type="checkbox"/> A	+\$0
<b>R30</b>	oyster RAL 1013	<input type="checkbox"/> A	+\$0
<b>R38</b>	broom yellow RAL 1032	<input type="checkbox"/> A	+\$0
<b>R39</b>	moss green RAL 6005	<input type="checkbox"/> A	+\$0
<b>R40</b>	steel blue RAL 5011	<input type="checkbox"/> A	+\$0

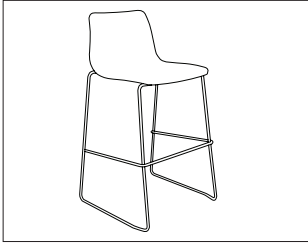
### Step 6. Seat Pad Fabric

#### *For seat pad (SP)*

Price Category (NaughtOne) 0	<input type="checkbox"/> A	+\$218
Price Category (NaughtOne) 1		+\$218
Price Category (NaughtOne) 2		+\$240
Price Category (NaughtOne) 3		+\$260
Price Category (NaughtOne) 4		+\$281
Price Category (NaughtOne) 5		+\$321
Price Category (NaughtOne) 6		+\$362
Price Category (NaughtOne) 7		+\$402
Price Category (NaughtOne) 9		+\$484

### Step 7. Glide Option

<b>PG</b>	plastic glides	<input type="checkbox"/> A	+\$0
<b>FG</b>	felt glides	<input type="checkbox"/> A	+\$24



NaughtOne® Stools

**Product Information**

**Description**

This upholstered stool has a bucketed seat of polypropylene covered with CMHR foam. Tube and wire bases are mild steel finished in polyester powder coat or chrome. Stools are stackable on the floor up to 4 high.

**Notes**

Nominal dimensions rounded to the nearest 1/2 inch.

Type	Width	Depth	Height	Seat Ht.
400	22	21 1/2	36	25 1/2
450	22 1/2	21	37	25 1/2
300	22	22 1/2	40 1/2	29 1/2
350	22 1/2	21	41 1/2	29 1/2

Customer's Own Material (COM) requires the following yardage:

Type	Total
400	1
450	1
300	1
350	1

Customer's Own Leather (COL) requires the following square feet:

Type	Total
400	17
450	17
300	17
350	17

**Specification Information**

**Step 1.**

**NOVVN** A

**Step 2. Base/Arm Type**

- 400** counter height - no arms A
- 450** counter height 4 leg base - no arms A
- 300** bar height - no arms A
- 350** bar height 4 leg base - no arms A

**Prices for Steps 1-2.**

<b>NOVVN 400</b>	\$1736
<b>450</b>	\$1645
<b>300</b>	\$1736
<b>350</b>	\$1645

**Step 3. Base Finish**

<b>CHR</b> chrome	+\$0
<b>R00</b> black RAL 9005	+\$0
<b>R14</b> signal white RAL9003	+\$0
<b>R23</b> black grey RAL 7021	+\$140
<b>R24</b> leaf green RAL 6002	+\$140
<b>R25</b> pale green RAL 6021	+\$140
<b>R26</b> RAL 3020 red	+\$140
<b>R28</b> light pink RAL 3015	+\$140
<b>R29</b> dark blue RAL 5001	+\$140
<b>R02</b> stone grey RAL 7030	+\$140
<b>R03</b> silver - RAL 9006	+\$140
<b>R08</b> traffic orange RAL 2009	+\$140
<b>R13</b> pastel blue RAL 5024	+\$140
<b>R30</b> oyster RAL 1013	+\$140
<b>R38</b> broom yellow RAL 1032	+\$140
<b>R39</b> moss green RAL 6005	+\$140
<b>R40</b> steel blue RAL 5011	+\$140

**Step 4. Fabric**

*For counter height - no arms (400) or bar height - no arms (300)*

Price Category (NaughtOne) 0 <span style="border: 1px solid black; padding: 0 2px;">A</span>	-\$104
Price Category (NaughtOne) 1	+\$0
Price Category (NaughtOne) 2	+\$60
Price Category (NaughtOne) 3	+\$109
Price Category (NaughtOne) 4	+\$168
Price Category (NaughtOne) 5	+\$274
Price Category (NaughtOne) 6	+\$372
Price Category (NaughtOne) 7	+\$468

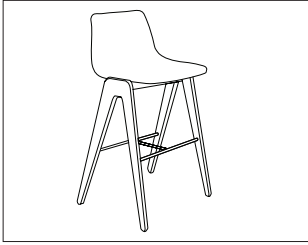
## Viv Stool *continued*

For counter height 4 leg base - no arms (450) or bar height 4 leg base - no arms (350)

Price Category (NaughtOne) 0	-\$122
Price Category (NaughtOne) 1	+\$0
Price Category (NaughtOne) 2	+\$40
Price Category (NaughtOne) 3	+\$79
Price Category (NaughtOne) 4	+\$122
Price Category (NaughtOne) 5	+\$202
Price Category (NaughtOne) 6	+\$283
Price Category (NaughtOne) 7	+\$365

### Step 5. Glide Option

<b>FG</b>	felt glides	+\$24
<b>PG</b>	plastic glides	+\$0



NaughtOne® Stools

**Product Information**

**Description**  
 This upholstered stool has a bucketed seat of molded polypropylene covered with CMHR foam. Base is handmade from solid wood and finished with matte lacquer.

**Notes**

Nominal dimensions rounded to the nearest 1/2 inch.

Type	Width	Depth	Height	Seat Ht.
400	22	22	36	26
300	22	22	39 1/2	29 1/2

Customer's Own Material (COM) requires the following yardage:

Type	Total
400	1
300	1

Customer's Own Leather (COL) requires the following square feet:

Type	Total
400	17
300	17

**Specification Information**

**Step 1.**

**NOVWN**  A

**Step 2. Base Type**

**300** bar height  A

**400** counter height  A

**Prices for Steps 1-2.**

<b>NOVWN</b>	<b>300</b>	\$2583
	<b>400</b>	\$2583

**Step 3. Base Finish**

**OAK** oak +\$0

**WLN** walnut  A +\$147

**Step 4. Fabric**

Price Category (NaughtOne) 0	<input type="checkbox"/> A	-\$95
Price Category (NaughtOne) 1		+\$0
Price Category (NaughtOne) 2		+\$60
Price Category (NaughtOne) 3		+\$109
Price Category (NaughtOne) 4		+\$164
Price Category (NaughtOne) 5		+\$193
Price Category (NaughtOne) 6		+\$362
Price Category (NaughtOne) 7		+\$523

**Step 5. Glide Option**

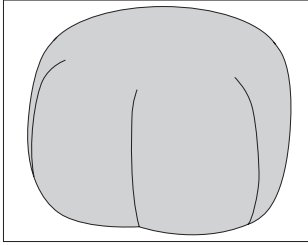
**PG** plastic glides  A +\$0

**FG** felt glides  A +\$23



Truffle Pouf

NOTRF



Product Information

Description

This pouf is upholstered over high-quality molded foam with a plywood base.

Notes

Nominal dimensions rounded to the nearest 1/2 inch.

Type	Width	Depth	Height	Seat Height
A	24	24	16	16
B	18 1/2	18 1/2	17 1/2	17 1/2

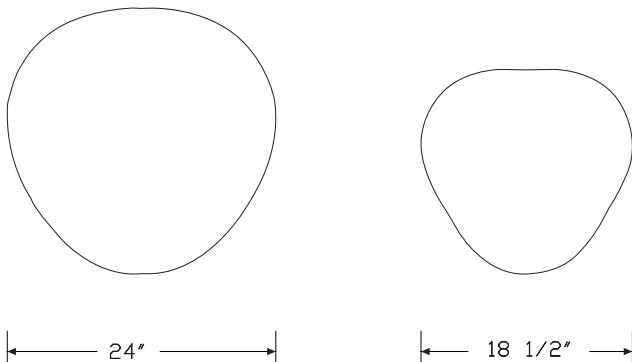
Customer's Own Material (COM) requires the following yardage:

Type	Total
A	1.75
B	1.75

Customer's Own Leather (COL) requires the following square feet:

Type	Total
A	31.5
B	31.5

Dimensions



Type A

Type B

Specification Information

Step 1.

NOTRF  A

Step 2. Type

A Type A - 24" x 16"  A

B Type B - 18.5" x 17.5"  A

Prices for Steps 1-2.

NOTRF A	\$1092
B	\$962

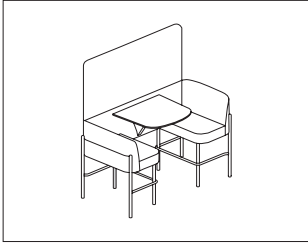
Step 3. Fabric

For Type A - 24" x 16" (A)

Price Category (NaughtOne) 0 <input type="checkbox"/> A	+\$0
Price Category (NaughtOne) 1	+\$0
Price Category (NaughtOne) 2	+\$48
Price Category (NaughtOne) 3	+\$96
Price Category (NaughtOne) 4	+\$144
Price Category (NaughtOne) 5	+\$240
Price Category (NaughtOne) 6	+\$336
Price Category (NaughtOne) 7	+\$432

For Type B - 18.5" x 17.5" (B)

Price Category (NaughtOne) 0 <input type="checkbox"/> A	+\$0
Price Category (NaughtOne) 1	+\$0
Price Category (NaughtOne) 2	+\$48
Price Category (NaughtOne) 3	+\$96
Price Category (NaughtOne) 4	+\$144
Price Category (NaughtOne) 5	+\$240
Price Category (NaughtOne) 6	+\$336
Price Category (NaughtOne) 7	+\$432



NaughtOne® Booths

**Product Information**

**Description**

This booth is upholstered over a machined plywood inner frame topped with high quality foams. It can be upholstered in a single fabric or multiple fabrics. The laser-cut, CNC-bent and welded steel frame is available in a choice of RAL colors. Table top is MDF with several surface finish options and polished MDF edge.

**Notes**

Nominal dimensions rounded to the nearest 1/2 inch.

Type	Width	Depth	Height	Seat Ht.
01	73 1/2	37	29 1/2	18
02	73 1/2	35 1/2	59	18
03	73 1/2	37	41 1/2	29 1/2
04	73 1/2	35 1/2	71	29 1/2

Customer's Own Material (COM) requires the following yardage:

Type	Total	Back/Screen	Seat
01	8		
02	11		
03	8	5	3
04	11	8	3

Customer's Own Leather (COL) requires the following square feet:

Type	Total	Back/Screen	Seat
01	128		
02	176		
03	128	80	48
04	176	128	48

**Specification Information**

**Step 1.**

**NOHES**

**Step 2. Type**

- 01 standard height booth without screen
- 02 standard height booth with screen
- 03 bar height booth without screen
- 04 bar height booth with screen

**Step 3. Upholstery**

- 1 single fabric
- 2 multiple fabric

**Prices for Steps 1-3.**

		1	2
<b>NOHES</b>	<b>01</b>	\$12186	12186
	<b>02</b>	\$14087	14087
	<b>03</b>	\$12413	12413
	<b>04</b>	\$14315	14315

**Step 4. Base Finish**

<b>R00</b>	RAL 9005 black <input type="checkbox"/>	+\$0
<b>R02</b>	RAL 7030 stone grey <input type="checkbox"/>	+\$370
<b>R03</b>	RAL 9006 silver <input type="checkbox"/>	+\$370
<b>R08</b>	RAL 2009 orange <input type="checkbox"/>	+\$370
<b>R13</b>	RAL 5024 pastel blue <input type="checkbox"/>	+\$370
<b>R14</b>	RAL 9003 white <input type="checkbox"/>	+\$0
<b>R23</b>	RAL 7021 black grey <input type="checkbox"/>	+\$370
<b>R24</b>	leaf green RAL 6002 <input type="checkbox"/>	+\$370
<b>R25</b>	RAL 6021 green <input type="checkbox"/>	+\$370
<b>R26</b>	RAL 3020 red <input type="checkbox"/>	+\$370
<b>R28</b>	RAL 3015 light pink <input type="checkbox"/>	+\$370
<b>R29</b>	RAL 5001 blue <input type="checkbox"/>	+\$370
<b>R30</b>	RAL 1013 oyster <input type="checkbox"/>	+\$370
<b>R38</b>	broom yellow RAL 1032 <input type="checkbox"/>	+\$370
<b>R39</b>	moss green RAL 6005 <input type="checkbox"/>	+\$370
<b>R40</b>	steel blue RAL 5011 <input type="checkbox"/>	+\$370

**Step 5. Surface Finish**

<b>WRC</b>	white MF MDF top with reverse chamfer edge <input type="checkbox"/>	+\$0
<b>BRC</b>	black MF MDF top with reverse chamfer edge <input type="checkbox"/>	+\$0
<b>OAK</b>	oak veneer top with reverse chamfer edge <input type="checkbox"/>	+\$234
<b>WLN</b>	walnut veneer top with reverse chamfer edge <input type="checkbox"/>	+\$234

Step 6.

Fabric

*For standard height booth without screen (01) or bar height booth without screen (03) with single fabric (1)*

Price Category (NaughtOne) 0 <input type="checkbox"/>	+\$0
Price Category (NaughtOne) 1	+\$0
Price Category (NaughtOne) 2	+\$271
Price Category (NaughtOne) 3	+\$544
Price Category (NaughtOne) 4	+\$815
Price Category (NaughtOne) 5	+\$1358
Price Category (NaughtOne) 6	+\$1902
Price Category (NaughtOne) 7	+\$2444
Price Category (NaughtOne) 9	+\$3532

Back and Screen Fabric

*For standard height booth without screen (01) or bar height booth without screen (03) with multiple fabric (2)*

Price Category (NaughtOne) 0 <input type="checkbox"/>	+\$0
Price Category (NaughtOne) 1	+\$0
Price Category (NaughtOne) 2	+\$217
Price Category (NaughtOne) 3	+\$435
Price Category (NaughtOne) 4	+\$652
Price Category (NaughtOne) 5	+\$1084
Price Category (NaughtOne) 6	+\$1518
Price Category (NaughtOne) 7	+\$1951
Price Category (NaughtOne) 9	+\$2817

Fabric

*For standard height booth with screen (02) or bar height booth with screen (04) with single fabric (1)*

Price Category (NaughtOne) 0 <input type="checkbox"/>	+\$0
Price Category (NaughtOne) 1	+\$0
Price Category (NaughtOne) 2	+\$400
Price Category (NaughtOne) 3	+\$804
Price Category (NaughtOne) 4	+\$1207
Price Category (NaughtOne) 5	+\$2012
Price Category (NaughtOne) 6	+\$2819
Price Category (NaughtOne) 7	+\$3628
Price Category (NaughtOne) 9	+\$5240

Back and Screen Fabric

*For standard height booth with screen (02) or bar height booth with screen (04) with multiple fabric (2)*

Price Category (NaughtOne) 0 <input type="checkbox"/>	+\$0
Price Category (NaughtOne) 1	+\$0
Price Category (NaughtOne) 2	+\$354
Price Category (NaughtOne) 3	+\$706
Price Category (NaughtOne) 4	+\$1059
Price Category (NaughtOne) 5	+\$1761
Price Category (NaughtOne) 6	+\$2467
Price Category (NaughtOne) 7	+\$3170
Price Category (NaughtOne) 9	+\$4577

Step 7. Seat Cushion Fabric

*For standard height booth without screen (01) or bar height booth without screen (03) with multiple fabric (2)*

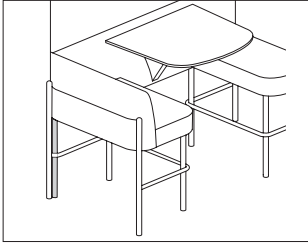
Price Category (NaughtOne) 0 <input type="checkbox"/>	+\$0
Price Category (NaughtOne) 1	+\$0
Price Category (NaughtOne) 2	+\$63
Price Category (NaughtOne) 3	+\$127
Price Category (NaughtOne) 4	+\$189
Price Category (NaughtOne) 5	+\$316
Price Category (NaughtOne) 6	+\$442
Price Category (NaughtOne) 7	+\$568
Price Category (NaughtOne) 9	+\$823

*For standard height booth with screen (02) or bar height booth with screen (04) with multiple fabric (2)*

Price Category (NaughtOne) 0 <input type="checkbox"/>	+\$0
Price Category (NaughtOne) 1	+\$0
Price Category (NaughtOne) 2	+\$63
Price Category (NaughtOne) 3	+\$127
Price Category (NaughtOne) 4	+\$189
Price Category (NaughtOne) 5	+\$316
Price Category (NaughtOne) 6	+\$442
Price Category (NaughtOne) 7	+\$569
Price Category (NaughtOne) 9	+\$823

Step 8. Cutout

<b>NC</b>	No Cutout <input type="checkbox"/>	+\$0
<b>BN</b>	with central cutout for Byrne Node power unit diameter 3" <input type="checkbox"/>	+\$466



**Product Information**

**Description**

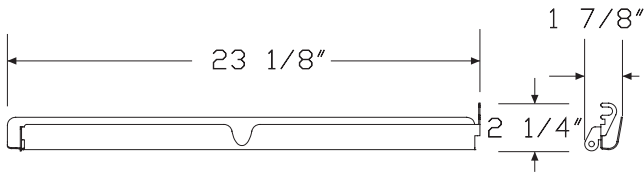
This cable leg cap is made from mild steel finished in a polyester powdercoat. Leg cap is used to guide power cables from the seat frame to the floor for Hue Booth products.

**Notes**

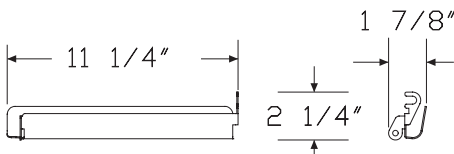
- Ensure that correct leg cap type is specified for booth height:
- For standard-height booths (NOHES01, NOHES02), specify NOHESCLC01.
  - For bar-height booths (NOHES03, NOHES04), specify NOHESCLC03.

**Dimensions**

NaughtOne® Booths



For bar height booth



For standard height booth

**Specification Information**

**Step 1.**

**NOHES**

**Step 2. Type**

**CLC01** hue cable leg cap for standard height booth

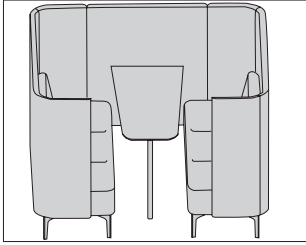
**CLC03** hue cable leg cap for bar height booth

**Prices for Steps 1-2.**

<b>NOHES</b>	<b>CLC01</b>	\$316
	<b>CLC03</b>	\$316

**Step 3. Base Finish**

<b>R00</b>	black RAL 9005 <input type="checkbox"/>	+\$0
<b>R02</b>	stone grey RAL 7030 <input type="checkbox"/>	+\$0
<b>R03</b>	silver - RAL 9006 <input type="checkbox"/>	+\$0
<b>R08</b>	traffic orange RAL 2009 <input type="checkbox"/>	+\$0
<b>R13</b>	pastel blue RAL 5024 <input type="checkbox"/>	+\$0
<b>R14</b>	signal white RAL9003 <input type="checkbox"/>	+\$0
<b>R23</b>	black grey RAL 7021 <input type="checkbox"/>	+\$0
<b>R24</b>	leaf green RAL 6002 <input type="checkbox"/>	+\$0
<b>R25</b>	pale green RAL 6021 <input type="checkbox"/>	+\$0
<b>R26</b>	RAL 3020 red <input type="checkbox"/>	+\$0
<b>R28</b>	light pink RAL 3015 <input type="checkbox"/>	+\$0
<b>R29</b>	dark blue RAL 5001 <input type="checkbox"/>	+\$0
<b>R30</b>	oyster RAL 1013 <input type="checkbox"/>	+\$0
<b>R38</b>	broom yellow RAL 1032 <input type="checkbox"/>	+\$0
<b>R39</b>	moss green RAL 6005 <input type="checkbox"/>	+\$0
<b>R40</b>	steel blue RAL 5011 <input type="checkbox"/>	+\$0



**Product Information**

**Description**

The Pullman booth is available in two-tone fabric. Inner fabric covers the seat and back on the inside of the booth and outer fabric covers the inner and outer walls of the booth.

**Notes**

Order accessory products separately:

- White board (NOPULAWB)
- TV bracket (NOPULATVB)

Customer's Own Material (COM) requires the following yardage:

Type	Total	Inner & Seat	Outer
2	23	8	15
3	28	10	18
2W	25	8	17
3W	30	10	20

Customer's Own Leather (COL) requires the following square feet:

Type	Total	Inner & Seat	Outer
2	368	128	240
3	448	160	288
2W	400	128	272
3W	480	160	320

**Specification Information**

**Step 1.**

**NOPUL** [A]

**Step 2. Type**

- 2** 2-seat booth [A]
- 2W** 2-seat booth wide [A]
- 3** 3-seat booth [A]
- 3W** 3-seat booth wide [A]

**Prices for Steps 1-2.**

<b>NOPUL 2</b>	\$22190
<b>2W</b>	\$23110
<b>3</b>	\$25637
<b>3W</b>	\$26556

**Step 3. Base Finish**

<b>R00</b> black RAL 9005 [A]	+\$0
<b>R02</b> stone grey RAL 7030 [A]	+\$370
<b>R03</b> silver - RAL 9006 [A]	+\$370
<b>R08</b> traffic orange RAL 2009 [A]	+\$370
<b>R13</b> pastel blue RAL 5024 [A]	+\$370
<b>R14</b> white RAL 9003 [A]	+\$0
<b>R23</b> black grey RAL 7021 [A]	+\$370
<b>R24</b> leaf green RAL 6002 [A]	+\$370
<b>R25</b> pale green RAL 6021 [A]	+\$370
<b>R26</b> RAL 3020 red [A]	+\$370
<b>R28</b> light pink RAL 3015 [A]	+\$370
<b>R29</b> dark blue RAL 5001 [A]	+\$370
<b>R30</b> oyster RAL 1013 [A]	+\$370
<b>OAK</b> oak [A]	+\$1263
<b>WLN</b> walnut [A]	+\$2150
<b>R38</b> broom yellow RAL 1032 [A]	+\$370
<b>R39</b> moss green RAL 6005 [A]	+\$370
<b>R40</b> steel blue RAL 5011 [A]	+\$370

Pullman Booth *continued*

NaughtOne® Booths

Step 4. Surface Finish

*For 2-seat booth (2) or 2-seat booth wide (2W)*

<b>BRC</b>	black MFMDF top with reverse chamfer edge <input type="checkbox"/> A	+\$0
<b>BSE</b>	black MFMDF top with edge band <input type="checkbox"/> A	+\$0
<b>WRC</b>	white MFMDF top with reverse chamfer edge <input type="checkbox"/> A	+\$0
<b>WSE</b>	white MFMDF top with edge band <input type="checkbox"/> A	+\$0
<b>OAK</b>	oak veneer top with reverse chamfer edge <input type="checkbox"/> A	+\$120
<b>WLN</b>	walnut veneer top with reverse chamfer edge <input type="checkbox"/> A	+\$120
<b>Q23</b>	4123 nero forbo lino top with reverse chamfer edge <input type="checkbox"/> A	+\$358
<b>Q32</b>	4132 ash forbo lino top with reverse chamfer edge <input type="checkbox"/> A	+\$358
<b>Q55</b>	4155 pewter forbo lino top with reverse chamfer edge <input type="checkbox"/> A	+\$358
<b>Q66</b>	4166 charcoal forbo lino top with reverse chamfer edge <input type="checkbox"/> A	+\$358
<b>Q72</b>	4172 mauve forbo lino top with reverse chamfer edge <input type="checkbox"/> A	+\$358
<b>Q75</b>	4175 pebble forbo lino top with reverse chamfer edge <input type="checkbox"/> A	+\$358
<b>Q76</b>	4176 mushroom forbo lino top with reverse chamfer edge <input type="checkbox"/> A	+\$358
<b>Q79</b>	4179 smokey blue forbo lino top with reverse chamfer edge <input type="checkbox"/> A	+\$358

*For 3-seat booth (3) or 3-seat booth wide (3W)*

<b>BRC</b>	black MFMDF top with reverse chamfer edge <input type="checkbox"/> A	+\$0
<b>BSE</b>	black MFMDF top with edge band <input type="checkbox"/> A	+\$0
<b>WRC</b>	white MFMDF top with reverse chamfer edge <input type="checkbox"/> A	+\$0
<b>WSE</b>	white MFMDF top with edge band <input type="checkbox"/> A	+\$0
<b>OAK</b>	oak veneer top with reverse chamfer edge <input type="checkbox"/> A	+\$135
<b>WLN</b>	walnut veneer top with reverse chamfer edge <input type="checkbox"/> A	+\$135
<b>Q23</b>	4123 nero forbo lino top with reverse chamfer edge <input type="checkbox"/> A	+\$348
<b>Q32</b>	4132 ash forbo lino top with reverse chamfer edge <input type="checkbox"/> A	+\$348
<b>Q55</b>	4155 pewter forbo lino top with reverse chamfer edge <input type="checkbox"/> A	+\$348
<b>Q66</b>	4166 charcoal forbo lino top with reverse chamfer edge <input type="checkbox"/> A	+\$348
<b>Q72</b>	4172 mauve forbo lino top with reverse chamfer edge <input type="checkbox"/> A	+\$348
<b>Q75</b>	4175 pebble forbo lino top with reverse chamfer edge <input type="checkbox"/> A	+\$348
<b>Q76</b>	4176 mushroom forbo lino top with reverse chamfer edge <input type="checkbox"/> A	+\$348
<b>Q79</b>	4179 smokey blue forbo lino top with reverse chamfer edge <input type="checkbox"/> A	+\$348

Step 5. Inner Fabric (Seat and Midback)

*For 2-seat booth (2)*

Price Category (NaughtOne) 0 <input type="checkbox"/> A	+\$0
Price Category (NaughtOne) 1	+\$0
Price Category (NaughtOne) 2	+\$285
Price Category (NaughtOne) 3	+\$570
Price Category (NaughtOne) 4	+\$856
Price Category (NaughtOne) 5	+\$1426
Price Category (NaughtOne) 6	+\$1996
Price Category (NaughtOne) 7	+\$2567
Price Category (NaughtOne) 9	+\$3707

*For 2-seat booth wide (2W)*

Price Category (NaughtOne) 0 <input type="checkbox"/> A	+\$0
Price Category (NaughtOne) 1	+\$0
Price Category (NaughtOne) 2	+\$301
Price Category (NaughtOne) 3	+\$602
Price Category (NaughtOne) 4	+\$903
Price Category (NaughtOne) 5	+\$1505
Price Category (NaughtOne) 6	+\$2107
Price Category (NaughtOne) 7	+\$2709
Price Category (NaughtOne) 9	+\$3914

*For 3-seat booth (3)*

Price Category (NaughtOne) 0 <input type="checkbox"/> A	+\$0
Price Category (NaughtOne) 1	+\$0
Price Category (NaughtOne) 2	+\$349
Price Category (NaughtOne) 3	+\$699
Price Category (NaughtOne) 4	+\$1048
Price Category (NaughtOne) 5	+\$1747
Price Category (NaughtOne) 6	+\$2447
Price Category (NaughtOne) 7	+\$3146
Price Category (NaughtOne) 9	+\$4544

*For 3-seat booth wide (3W)*

Price Category (NaughtOne) 0 <input type="checkbox"/> A	+\$0
Price Category (NaughtOne) 1	+\$0
Price Category (NaughtOne) 2	+\$365
Price Category (NaughtOne) 3	+\$731
Price Category (NaughtOne) 4	+\$1096
Price Category (NaughtOne) 5	+\$1827
Price Category (NaughtOne) 6	+\$2558
Price Category (NaughtOne) 7	+\$3165
Price Category (NaughtOne) 9	+\$4377

## Pullman Booth *continued*

### Step 6. Outer Fabric

#### *For 2-seat booth (2)*

Price Category (NaughtOne) 0 <input type="checkbox"/>	+\$0
Price Category (NaughtOne) 1	+\$0
Price Category (NaughtOne) 2	+\$504
Price Category (NaughtOne) 3	+\$1009
Price Category (NaughtOne) 4	+\$1513
Price Category (NaughtOne) 5	+\$2523
Price Category (NaughtOne) 6	+\$3532
Price Category (NaughtOne) 7	+\$4540
Price Category (NaughtOne) 9	+\$6558

#### *For 2-seat booth wide (2W)*

Price Category (NaughtOne) 0 <input type="checkbox"/>	+\$0
Price Category (NaughtOne) 1	+\$0
Price Category (NaughtOne) 2	+\$531
Price Category (NaughtOne) 3	+\$1065
Price Category (NaughtOne) 4	+\$1597
Price Category (NaughtOne) 5	+\$2663
Price Category (NaughtOne) 6	+\$3728
Price Category (NaughtOne) 7	+\$4793
Price Category (NaughtOne) 9	+\$6923

#### *For 3-seat booth (3)*

Price Category (NaughtOne) 0 <input type="checkbox"/>	+\$0
Price Category (NaughtOne) 1	+\$0
Price Category (NaughtOne) 2	+\$612
Price Category (NaughtOne) 3	+\$1223
Price Category (NaughtOne) 4	+\$1835
Price Category (NaughtOne) 5	+\$3059
Price Category (NaughtOne) 6	+\$4282
Price Category (NaughtOne) 7	+\$5505
Price Category (NaughtOne) 9	+\$7953

#### *For 3-seat booth wide (3W)*

Price Category (NaughtOne) 0 <input type="checkbox"/>	+\$0
Price Category (NaughtOne) 1	+\$0
Price Category (NaughtOne) 2	+\$639
Price Category (NaughtOne) 3	+\$1279
Price Category (NaughtOne) 4	+\$1918
Price Category (NaughtOne) 5	+\$3198
Price Category (NaughtOne) 6	+\$4478
Price Category (NaughtOne) 7	+\$5539
Price Category (NaughtOne) 9	+\$7661



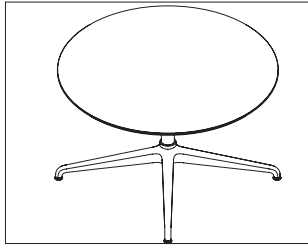


Coffee Tables

Meeting Tables

Desks





**Product Information**

**Description**

The Ali table range is constructed using the 4-star aluminum base and comes in a variety of shapes, sizes and colors. The base matches other 4-star bases found on Always, Hush, Polly and Viv.

**Notes**

Nominal dimensions rounded to the nearest 1/2 inch.

Type	Width	Diameter	Depth	Height
C650		25 1/2		17 1/2
C850		33 1/2		17 1/2
SQ650	25 1/2		25 1/2	17 1/2
SQ850	33 1/2		33 1/2	17 1/2

**Specification Information**

**Step 1.**

**NOALI1**

**Step 2. Type**

- C650** circular coffee table 650
- C850** circular coffee table 850
- SQ650** square coffee table 650
- SQ850** square coffee table 850

**Prices for Steps 1-2.**

<b>NOALI1 C650</b>	\$1188
<b>C850</b>	\$1357
<b>SQ650</b>	\$1188
<b>SQ850</b>	\$1357

**Step 3. Base Finish**

<b>R00</b> black RAL 9005 <input type="checkbox"/>	+\$0
<b>R14</b> signal white RAL9003 <input type="checkbox"/>	+\$0
<b>R23</b> black grey RAL 7021 <input type="checkbox"/>	+\$275
<b>R24</b> leaf green RAL 6002 <input type="checkbox"/>	+\$275
<b>R25</b> pale green RAL 6021 <input type="checkbox"/>	+\$275
<b>R26</b> RAL 3020 red <input type="checkbox"/>	+\$275
<b>R28</b> light pink RAL 3015 <input type="checkbox"/>	+\$275
<b>R29</b> dark blue RAL 5001 <input type="checkbox"/>	+\$275
<b>R02</b> stone grey RAL 7030 <input type="checkbox"/>	+\$275
<b>R03</b> silver - RAL 9006 <input type="checkbox"/>	+\$275
<b>R08</b> traffic orange RAL 2009 <input type="checkbox"/>	+\$275
<b>R13</b> pastel blue RAL 5024 <input type="checkbox"/>	+\$275
<b>R30</b> oyster RAL 1013 <input type="checkbox"/>	+\$275
<b>R38</b> broom yellow RAL 1032 <input type="checkbox"/>	+\$275
<b>R39</b> moss green RAL 6005 <input type="checkbox"/>	+\$275
<b>R40</b> steel blue RAL 5011 <input type="checkbox"/>	+\$275

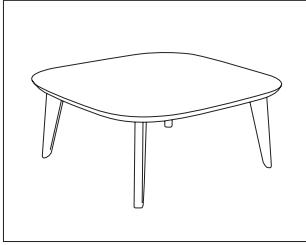
Step 4. Surface Finish

*For circular coffee table 650 (C650) or square coffee table 650 (SQ650)*

<b>WSE</b>	white melamine with std edge band <input type="checkbox"/> A	+\$0
<b>WRC</b>	white melamine with reverse chamfer edge <input type="checkbox"/> A	+\$0
<b>BSE</b>	black melamine with std edge band <input type="checkbox"/> A	+\$0
<b>BRC</b>	black melamine with reverse chamfer edge <input type="checkbox"/> A	+\$0
<b>OAK</b>	n1 oak <input type="checkbox"/> A	+\$82
<b>WLN</b>	n1 walnut <input type="checkbox"/> A	+\$82
<b>Q76</b>	lino mushroom 4176 <input type="checkbox"/> A	+\$547
<b>Q75</b>	lino pebble 4175 <input type="checkbox"/> A	+\$547
<b>Q32</b>	lino ash 4132 <input type="checkbox"/> A	+\$547
<b>Q55</b>	lino pewter 4155 <input type="checkbox"/> A	+\$547
<b>Q66</b>	lino charcoal 4166 <input type="checkbox"/> A	+\$547
<b>Q23</b>	lino nero 4123 <input type="checkbox"/> A	+\$547
<b>Q79</b>	lino smokey blue 4179 <input type="checkbox"/> A	+\$547
<b>Q72</b>	lino mauve 4172 <input type="checkbox"/> A	+\$547

*For circular coffee table 850 (C850) or square coffee table 850 (SQ850)*

<b>WSE</b>	white melamine with std edge band <input type="checkbox"/> A	+\$0
<b>WRC</b>	white melamine with reverse chamfer edge <input type="checkbox"/> A	+\$0
<b>BSE</b>	black melamine with std edge band <input type="checkbox"/> A	+\$0
<b>BRC</b>	black melamine with reverse chamfer edge <input type="checkbox"/> A	+\$0
<b>OAK</b>	n1 oak <input type="checkbox"/> A	+\$111
<b>WLN</b>	n1 walnut <input type="checkbox"/> A	+\$111
<b>Q76</b>	lino mushroom 4176 <input type="checkbox"/> A	+\$622
<b>Q75</b>	lino pebble 4175 <input type="checkbox"/> A	+\$622
<b>Q32</b>	lino ash 4132 <input type="checkbox"/> A	+\$622
<b>Q55</b>	lino pewter 4155 <input type="checkbox"/> A	+\$622
<b>Q66</b>	lino charcoal 4166 <input type="checkbox"/> A	+\$622
<b>Q23</b>	lino nero 4123 <input type="checkbox"/> A	+\$622
<b>Q79</b>	lino smokey blue 4179 <input type="checkbox"/> A	+\$622
<b>Q72</b>	lino mauve 4172 <input type="checkbox"/> A	+\$622



**Product Information**

**Description**

These coffee and side tables have solid oak or solid walnut legs that are CNC cut and shaped and hand finished before receiving a coat of matte lacquer. Table understructure is oak veneer or walnut veneer with a matching matte lacquer. Table top is available in a variety of finishes. Table components are delivered disassembled.

**Notes**

Nominal dimensions rounded to the nearest 1/2 inch.

Type	Width	Depth	Height	Diameter
00			14	25 1/2
10			14	33 1/2
20	25 1/2	25 1/2	14	
30	33 1/2	33 1/2	14	
40	43 1/2	21 1/2	14	
50			19 1/2	14
60	14	14	19 1/2	

**Specification Information**

**Step 1.**

**NODLN1**

**Step 2. Type**

40	rectangular coffee table	<input type="checkbox"/>
50	circular side table 350	<input type="checkbox"/>
60	square side table 350	<input type="checkbox"/>
00	circular coffee table 650	<input type="checkbox"/>
20	square coffee table 650	<input type="checkbox"/>
10	circular coffee table 850	<input type="checkbox"/>
30	square coffee table 850	<input type="checkbox"/>

**Prices for Steps 1-2.**

<b>NODLN1 40</b>	\$2117
50	\$1811
60	\$1811
00	\$1984
20	\$1984
10	\$2117
30	\$2117

**Step 3. Leg Finish**

<b>OAK</b>	oak <input type="checkbox"/>	+\$0
<b>WLN</b>	walnut <input type="checkbox"/>	+\$74

**Step 4. Surface Finish**

*For circular side table 350 (50) or square side table 350 (60)*

<b>BRC</b>	black melamine with reverse chamfer edge <input type="checkbox"/>	+\$0
<b>BSE</b>	black melamine with std edge band <input type="checkbox"/>	+\$0
<b>WRC</b>	white melamine with reverse chamfer edge <input type="checkbox"/>	+\$0
<b>WSE</b>	white melamine with std edge band <input type="checkbox"/>	+\$0
<b>OAK</b>	oak <input type="checkbox"/>	+\$34
<b>WLN</b>	walnut <input type="checkbox"/>	+\$34
<b>Q23</b>	lino nero 4123 <input type="checkbox"/>	+\$412
<b>Q32</b>	lino ash 4132 <input type="checkbox"/>	+\$412
<b>Q55</b>	lino pewter 4155 <input type="checkbox"/>	+\$412
<b>Q66</b>	lino charcoal 4166 <input type="checkbox"/>	+\$412
<b>Q72</b>	lino mauve 4172 <input type="checkbox"/>	+\$412
<b>Q75</b>	lino pebble 4175 <input type="checkbox"/>	+\$412
<b>Q76</b>	lino mushroom 4176 <input type="checkbox"/>	+\$412
<b>Q79</b>	lino smokey blue 4179 <input type="checkbox"/>	+\$412

# Dalby Coffee and Side Tables

continued

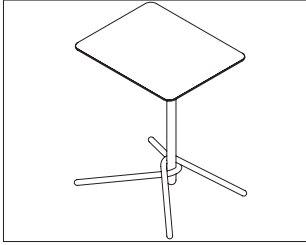
NaughtOne® Coffee Tables

For circular coffee table 650 (00) or square coffee table 650 (20)

<b>BRC</b>	black melamine with reverse chamfer edge	A	+\$0
<b>BSE</b>	black melamine with std edge band	A	+\$0
<b>WRC</b>	white melamine with reverse chamfer edge	A	+\$0
<b>WSE</b>	white melamine with std edge band	A	+\$0
<b>OAK</b>	oak	A	+\$60
<b>WLN</b>	walnut	A	+\$60
<b>Q23</b>	lino nero 4123	A	+\$476
<b>Q32</b>	lino ash 4132	A	+\$476
<b>Q55</b>	lino pewter 4155	A	+\$476
<b>Q66</b>	lino charcoal 4166	A	+\$476
<b>Q72</b>	lino mauve 4172	A	+\$476
<b>Q75</b>	lino pebble 4175	A	+\$476
<b>Q76</b>	lino mushroom 4176	A	+\$476
<b>Q79</b>	lino smokey blue 4179	A	+\$476

For rectangular coffee table (40), circular coffee table 850 (10), or square coffee table 850 (30)

<b>BRC</b>	black melamine with reverse chamfer edge	A	+\$0
<b>BSE</b>	black melamine with std edge band	A	+\$0
<b>WRC</b>	white melamine with reverse chamfer edge	A	+\$0
<b>WSE</b>	white melamine with std edge band	A	+\$0
<b>OAK</b>	oak	A	+\$80
<b>WLN</b>	walnut	A	+\$80
<b>Q23</b>	lino nero 4123	A	+\$452
<b>Q32</b>	lino ash 4132	A	+\$452
<b>Q55</b>	lino pewter 4155	A	+\$452
<b>Q66</b>	lino charcoal 4166	A	+\$452
<b>Q72</b>	lino mauve 4172	A	+\$452
<b>Q75</b>	lino pebble 4175	A	+\$452
<b>Q76</b>	lino mushroom 4176	A	+\$452
<b>Q79</b>	lino smokey blue 4179	A	+\$452



**Product Information**

**Description**

These tables are made from mild steel tube, laser cut, then bent and welded together. End caps on the tubes are machined mild steel welded and polished into the tube ends. Table tops are available in a variety of finishes.

**Notes**

Nominal dimensions rounded to the nearest 1/2 inch.

Type	Width	Depth	Height	Diameter
10			25 1/2	21 1/2
20	15 1/2	19 1/2	25 1/2	

**Specification Information**

**Step 1.**

**NOKNO5**

**Step 2. Type**

**10** circular side table 550

**20** rectangular side table 400

**Prices for Steps 1-2.**

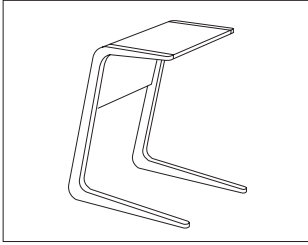
<b>NOKNO5 10</b>	\$960
<b>20</b>	\$960

**Step 3. Base Finish**

<b>R00</b> black RAL 9005 <input type="checkbox"/>	+\$0
<b>R14</b> signal white RAL9003 <input type="checkbox"/>	+\$0
<b>R23</b> black grey RAL 7021 <input type="checkbox"/>	+\$151
<b>R24</b> leaf green RAL 6002 <input type="checkbox"/>	+\$151
<b>R25</b> pale green RAL 6021 <input type="checkbox"/>	+\$151
<b>R26</b> RAL 3020 red <input type="checkbox"/>	+\$151
<b>R28</b> light pink RAL 3015 <input type="checkbox"/>	+\$151
<b>R29</b> dark blue RAL 5001 <input type="checkbox"/>	+\$151
<b>R02</b> stone grey RAL 7030 <input type="checkbox"/>	+\$151
<b>R03</b> silver - RAL 9006 <input type="checkbox"/>	+\$151
<b>R08</b> traffic orange RAL 2009 <input type="checkbox"/>	+\$151
<b>R13</b> pastel blue RAL 5024 <input type="checkbox"/>	+\$151
<b>R30</b> oyster RAL 1013 <input type="checkbox"/>	+\$151
<b>R38</b> broom yellow RAL 1032 <input type="checkbox"/>	+\$151
<b>R39</b> moss green RAL 6005 <input type="checkbox"/>	+\$151
<b>R40</b> steel blue RAL 5011 <input type="checkbox"/>	+\$151

**Step 4. Surface Finish**

<b>WRC</b> white melamine with reverse chamfer edge <input type="checkbox"/>	+\$0
<b>BRC</b> black melamine with reverse chamfer edge <input type="checkbox"/>	+\$0
<b>OAK</b> oak <input type="checkbox"/>	+\$81
<b>WLN</b> walnut <input type="checkbox"/>	+\$81
<b>Q23</b> lino nero 4123 <input type="checkbox"/>	+\$489
<b>Q32</b> lino ash 4132 <input type="checkbox"/>	+\$489
<b>Q55</b> lino pewter 4155 <input type="checkbox"/>	+\$489
<b>Q66</b> lino charcoal 4166 <input type="checkbox"/>	+\$489
<b>Q72</b> lino mauve 4172 <input type="checkbox"/>	+\$489
<b>Q75</b> lino pebble 4175 <input type="checkbox"/>	+\$489
<b>Q76</b> lino mushroom 4176 <input type="checkbox"/>	+\$489
<b>Q79</b> lino smokey blue 4179 <input type="checkbox"/>	+\$489



NaughtOne® Coffee Tables

**Product Information**

**Description**

This table is made from solid oak and oak faced molded plywood. It is sealed with a light matte lacquer.

**Notes**

Nominal dimensions rounded to the nearest 1/2 inch.

Type	Width	Depth	Height
100	17 1/2	21 1/2	25 1/2

**Specification Information**

**Step 1.**

**NORLN**  A

**Step 2. Base Type**

**100** table  A

**Prices for Steps 1-2.**

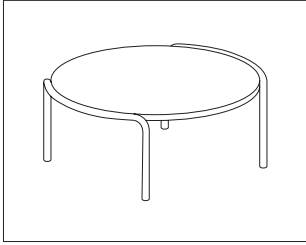
**NORLN 100** \$1551

**Step 3. Surface Finish**

**OAK** oak  A +\$0

**WLN** walnut  A +\$227





**Product Information**

**Description**

This table has a base of laser cut and bent steel tube welded to a flat steel plate, finished with polyester powder coat. Tops are available in a variety of materials and finishes.

**Notes**

Nominal dimensions rounded to the nearest 1/2 inch.

Type	Width	Depth	Height
550S	21 1/2	21 1/2	14
750S	29 1/2	29 1/2	14
650D	25 1/2	23 1/2	14
850D	33 1/2	31 1/2	14
955R	35 1/2	21 1/2	14

**Specification Information**

**Step 1.**

**NOSWP**

**Step 2. Type**

- 550S** 550 square coffee table
- 750S** 750 square coffee table
- 650D** 650 diameter coffee table
- 850D** 850 diameter coffee table
- 955R** 900 x 550 rectangle coffee table

**Prices for Steps 1-2.**

<b>NOSWP</b>	<b>550S</b>	\$1413
	<b>750S</b>	\$1631
	<b>650D</b>	\$1413
	<b>850D</b>	\$1631
	<b>955R</b>	\$1631

**Step 3. Base Finish**

- R00** black RAL 9005  +\$0
- R14** signal white RAL9003  +\$0
- R02** stone grey RAL 7030  +\$141
- R03** silver - RAL 9006  +\$141
- R08** traffic orange RAL 2009  +\$141
- R13** pastel blue RAL 5024  +\$141
- R23** black grey RAL 7021  +\$141
- R24** leaf green RAL 6002  +\$141
- R25** pale green RAL 6021  +\$141
- R26** RAL 3020 red  +\$141
- R28** light pink RAL 3015  +\$141
- R29** dark blue RAL 5001  +\$141
- R30** oyster RAL 1013  +\$141
- R38** broom yellow RAL 1032  +\$141
- R39** moss green RAL 6005  +\$141
- R40** steel blue RAL 5011  +\$141

**Step 4. Surface Finish**

*For 550 square coffee table (550S) or 650 diameter coffee table (650D)*

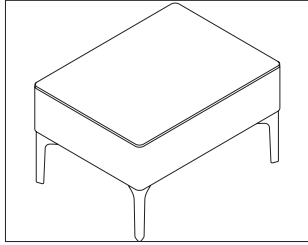
- WSE** white MF MDF  +\$0
- BSE** black MF MDF  +\$0
- OAK** oak  +\$350
- WLN** walnut  +\$350

Sweep Coffee Tables *continued*

NaughtOne® Coffee Tables

For 750 square coffee table (750S), 850 diameter coffee table (850D), or  
900 x 550 rectangle coffee table (955R)

<b>WSE</b>	white MF MDF	A	+\$0
<b>BSE</b>	black MF MDF	A	+\$0
<b>OAK</b>	oak	A	+\$525
<b>WLN</b>	walnut	A	+\$525



**Product Information**

**Description**

This coffee table is upholstered over a wood frame and high quality foam. Legs are available in steel with polyester powder coat or solid oak or walnut with a matte lacquer finish. Table top is MDF with several surface finish options.

**Notes**

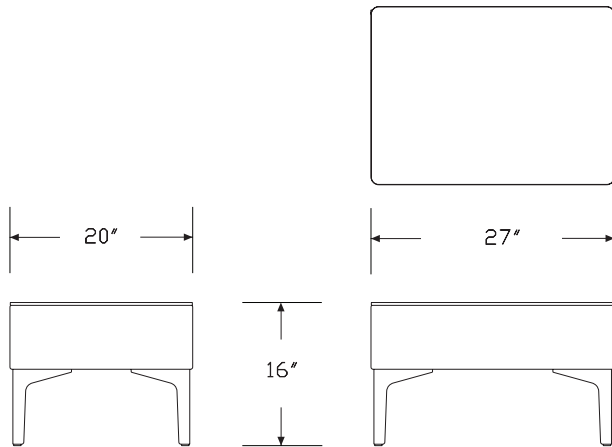
Nominal dimensions rounded to the nearest 1/2 inch.

Type	Width	Depth	Height
10	27	20	16

Customer's Own Material (COM) requires the following yardage:

Type	Total
10	2

**Dimensions**



**Specification Information**

**Step 1.**

**NOSYN6** [A]

**Step 2. Type**

**10** rectangle coffee table [A]

**Step 3. Upholstery**

*For rectangle coffee table (10)*

**1** single fabric [A]

**Prices for Steps 1-3.**

	<b>1</b>
<b>NOSYN6 10</b>	<b>\$2216</b>

**Step 4. Base Finish**

<b>R00</b>	black RAL 9005 [A]	+\$0
<b>R14</b>	signal white RAL9003 [A]	+\$0
<b>R02</b>	stone grey RAL 7030 [A]	+\$137
<b>R03</b>	silver - RAL 9006 [A]	+\$137
<b>R08</b>	traffic orange RAL 2009 [A]	+\$137
<b>R13</b>	pastel blue RAL 5024 [A]	+\$137
<b>R23</b>	black grey RAL 7021 [A]	+\$137
<b>R24</b>	leaf green RAL 6002 [A]	+\$137
<b>R25</b>	pale green RAL 6021 [A]	+\$137
<b>R26</b>	RAL 3020 red [A]	+\$137
<b>R28</b>	light pink RAL 3015 [A]	+\$137
<b>R29</b>	dark blue RAL 5001 [A]	+\$137
<b>R30</b>	oyster RAL 1013 [A]	+\$137
<b>OAK</b>	oak [A]	+\$600
<b>WAL</b>	walnut [A]	+\$600
<b>R38</b>	broom yellow RAL 1032 [A]	+\$137
<b>R39</b>	moss green RAL 6005 [A]	+\$137
<b>R40</b>	steel blue RAL 5011 [A]	+\$137

**Step 5. Surface Finish**

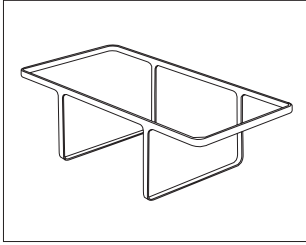
<b>BL</b>	black MF MDF [A]	+\$0
<b>WH</b>	white MF MDF [A]	+\$0
<b>OAK</b>	oak veneer top [A]	+\$132
<b>WLN</b>	walnut veneer top [A]	+\$132

# Hatch and Symbol Coffee Table

*continued*

**NaughtOne® Coffee Tables**

Step 6. Fabric	
Price Category (NaughtOne) 0 <input type="checkbox"/>	+\$0
Price Category (NaughtOne) 1	+\$0
Price Category (NaughtOne) 2	+\$44
Price Category (NaughtOne) 3	+\$93
Price Category (NaughtOne) 4	+\$138
Price Category (NaughtOne) 5	+\$231
Price Category (NaughtOne) 6	+\$323
Price Category (NaughtOne) 7	+\$416



### Product Information

#### Description

These coffee and side tables have a 1-piece frame handmade from cold drawn mild steel finished with polyester powder coat. Tops are available in a variety of materials and finishes.

#### Notes

Nominal dimensions rounded to the nearest 1/2 inch.

Type	Width	Depth	Height
00	43	21½	14
10	33½	33½	10
20	17½	12	17½

### Specification Information

#### Step 1.

**NOTCN1**

#### Step 2. Type

**20** side table

**00** rectangle coffee table

**10** square coffee table

#### Prices for Steps 1-2.

<b>NOTCN1 20</b>	\$1751
<b>00</b>	\$3063
<b>10</b>	\$3138

#### Step 3. Base Finish

#### For side table (20)

<b>R00</b> black RAL 9005	+\$0
<b>R14</b> signal white RAL9003	+\$0
<b>R23</b> black grey RAL 7021	+\$268
<b>R24</b> leaf green RAL 6002	+\$268
<b>R25</b> pale green RAL 6021	+\$268
<b>R26</b> RAL 3020 red	+\$268
<b>R28</b> light pink RAL 3015	+\$268
<b>R29</b> dark blue RAL 5001	+\$268
<b>R02</b> stone grey RAL 7030	+\$268
<b>R03</b> silver - RAL 9006	+\$268
<b>R08</b> traffic orange RAL 2009	+\$268
<b>R13</b> pastel blue RAL 5024	+\$268
<b>R30</b> oyster RAL 1013 <input type="checkbox"/>	+\$268
<b>R38</b> broom yellow RAL 1032 <input type="checkbox"/>	+\$268
<b>R39</b> moss green RAL 6005 <input type="checkbox"/>	+\$268
<b>R40</b> steel blue RAL 5011 <input type="checkbox"/>	+\$268

# Trace Coffee and Side Tables

continued

NaughtOne® Coffee Tables

<i>For rectangle coffee table (00)</i>		
<b>R00</b>	black RAL 9005	+\$0
<b>R14</b>	signal white RAL9003	+\$0
<b>R23</b>	black grey RAL 7021	+\$268
<b>R24</b>	leaf green RAL 6002	+\$268
<b>R25</b>	pale green RAL 6021	+\$268
<b>R26</b>	RAL 3020 red	+\$268
<b>R28</b>	light pink RAL 3015	+\$268
<b>R29</b>	dark blue RAL 5001	+\$268
<b>R02</b>	stone grey RAL 7030	+\$268
<b>R03</b>	silver - RAL 9006	+\$268
<b>R08</b>	traffic orange RAL 2009	+\$268
<b>R13</b>	pastel blue RAL 5024	+\$268
<b>R30</b>	oyster RAL 1013 <span style="border: 1px solid black; padding: 0 2px;">A</span>	+\$268
<b>R38</b>	broom yellow RAL 1032 <span style="border: 1px solid black; padding: 0 2px;">A</span>	+\$268
<b>R39</b>	moss green RAL 6005 <span style="border: 1px solid black; padding: 0 2px;">A</span>	+\$268
<b>R40</b>	steel blue RAL 5011 <span style="border: 1px solid black; padding: 0 2px;">A</span>	+\$268

<i>For square coffee table (10)</i>		
<b>R00</b>	black RAL 9005	+\$0
<b>R14</b>	signal white RAL9003	+\$0
<b>R23</b>	black grey RAL 7021	+\$268
<b>R24</b>	leaf green RAL 6002	+\$268
<b>R25</b>	pale green RAL 6021	+\$268
<b>R26</b>	RAL 3020 red	+\$268
<b>R28</b>	light pink RAL 3015	+\$268
<b>R29</b>	dark blue RAL 5001	+\$268
<b>R02</b>	stone grey RAL 7030	+\$268
<b>R03</b>	silver - RAL 9006	+\$268
<b>R08</b>	traffic orange RAL 2009	+\$268
<b>R13</b>	pastel blue RAL 5024	+\$268
<b>R30</b>	oyster RAL 1013 <span style="border: 1px solid black; padding: 0 2px;">A</span>	+\$268
<b>R38</b>	broom yellow RAL 1032 <span style="border: 1px solid black; padding: 0 2px;">A</span>	+\$268
<b>R39</b>	moss green RAL 6005 <span style="border: 1px solid black; padding: 0 2px;">A</span>	+\$268
<b>R40</b>	steel blue RAL 5011 <span style="border: 1px solid black; padding: 0 2px;">A</span>	+\$268

<b>Step 4. Surface Finish</b>		
<i>For side table (20)</i>		
<b>CLG</b>	clear glass <span style="border: 1px solid black; padding: 0 2px;">A</span>	-\$50
<b>WSE</b>	white MF MDF <span style="border: 1px solid black; padding: 0 2px;">A</span>	+\$0
<b>BSE</b>	black MF MDF <span style="border: 1px solid black; padding: 0 2px;">A</span>	+\$0
<b>OAK</b>	oak <span style="border: 1px solid black; padding: 0 2px;">A</span>	+\$0
<b>WLN</b>	walnut <span style="border: 1px solid black; padding: 0 2px;">A</span>	+\$0
<b>Q23</b>	lino nero 4123 <span style="border: 1px solid black; padding: 0 2px;">A</span>	+\$388
<b>Q32</b>	lino ash 4132 <span style="border: 1px solid black; padding: 0 2px;">A</span>	+\$388
<b>Q55</b>	lino pewter 4155 <span style="border: 1px solid black; padding: 0 2px;">A</span>	+\$388
<b>Q66</b>	lino charcoal 4166 <span style="border: 1px solid black; padding: 0 2px;">A</span>	+\$388
<b>Q72</b>	lino mauve 4172 <span style="border: 1px solid black; padding: 0 2px;">A</span>	+\$388
<b>Q75</b>	lino pebble 4175 <span style="border: 1px solid black; padding: 0 2px;">A</span>	+\$388
<b>Q76</b>	lino mushroom 4176 <span style="border: 1px solid black; padding: 0 2px;">A</span>	+\$388
<b>Q79</b>	lino smokey blue 4179 <span style="border: 1px solid black; padding: 0 2px;">A</span>	+\$388
<b>BRG</b>	black reverse painted glass <span style="border: 1px solid black; padding: 0 2px;">A</span>	+\$526
<b>WRG</b>	white reverse painted glass <span style="border: 1px solid black; padding: 0 2px;">A</span>	+\$526
<b>G00</b>	black RAL 9005 back painted glass <span style="border: 1px solid black; padding: 0 2px;">A</span>	+\$0
<b>G02</b>	stone grey RAL 7030 back painted glass <span style="border: 1px solid black; padding: 0 2px;">A</span>	+\$615
<b>G03</b>	silver - RAL 9006 back painted glass <span style="border: 1px solid black; padding: 0 2px;">A</span>	+\$615
<b>G08</b>	traffic orange RAL 2009 back painted glass <span style="border: 1px solid black; padding: 0 2px;">A</span>	+\$615
<b>G13</b>	pastel blue RAL 5024 back painted glass <span style="border: 1px solid black; padding: 0 2px;">A</span>	+\$615
<b>G14</b>	signal white RAL9003 back painted glass <span style="border: 1px solid black; padding: 0 2px;">A</span>	+\$0
<b>G23</b>	black grey RAL 7021 back painted glass <span style="border: 1px solid black; padding: 0 2px;">A</span>	+\$615
<b>G24</b>	leaf green RAL 6002 back painted glass <span style="border: 1px solid black; padding: 0 2px;">A</span>	+\$615
<b>G25</b>	pale green RAL 6021 back painted glass <span style="border: 1px solid black; padding: 0 2px;">A</span>	+\$615
<b>G26</b>	traffic red RAL 3020 back painted glass <span style="border: 1px solid black; padding: 0 2px;">A</span>	+\$615
<b>G28</b>	light pink RAL 3015 back painted glass <span style="border: 1px solid black; padding: 0 2px;">A</span>	+\$615
<b>G29</b>	dark blue RAL 5001 back painted glass <span style="border: 1px solid black; padding: 0 2px;">A</span>	+\$615
<b>G30</b>	oyster RAL 1013 back painted glass <span style="border: 1px solid black; padding: 0 2px;">A</span>	+\$615
<b>G38</b>	broom yellow RAL 1032 back painted glass <span style="border: 1px solid black; padding: 0 2px;">A</span>	+\$615
<b>G39</b>	moss green RAL 6005 back painted glass <span style="border: 1px solid black; padding: 0 2px;">A</span>	+\$615
<b>G40</b>	steel blue RAL 5011 back painted glass <span style="border: 1px solid black; padding: 0 2px;">A</span>	+\$615
<b>WML</b>	white marble <span style="border: 1px solid black; padding: 0 2px;">A</span>	+\$388

# Trace Coffee and Side Tables

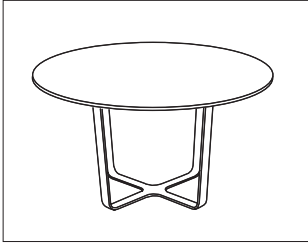
continued

## For rectangle coffee table (00)

<b>CLG</b>	clear glass <input type="checkbox"/>	-\$90
<b>WSE</b>	white MF MDF <input type="checkbox"/>	+\$0
<b>BSE</b>	black MF MDF <input type="checkbox"/>	+\$0
<b>OAK</b>	oak <input type="checkbox"/>	+\$49
<b>WLN</b>	walnut <input type="checkbox"/>	+\$49
<b>Q23</b>	lino nero 4123 <input type="checkbox"/>	+\$435
<b>Q32</b>	lino ash 4132 <input type="checkbox"/>	+\$435
<b>Q55</b>	lino pewter 4155 <input type="checkbox"/>	+\$435
<b>Q66</b>	lino charcoal 4166 <input type="checkbox"/>	+\$435
<b>Q72</b>	lino mauve 4172 <input type="checkbox"/>	+\$435
<b>Q75</b>	lino pebble 4175 <input type="checkbox"/>	+\$435
<b>Q76</b>	lino mushroom 4176 <input type="checkbox"/>	+\$435
<b>Q79</b>	lino smokey blue 4179 <input type="checkbox"/>	+\$435
<b>BRG</b>	black reverse painted glass <input type="checkbox"/>	+\$849
<b>WRG</b>	white reverse painted glass <input type="checkbox"/>	+\$849
<b>G00</b>	black RAL 9005 back painted glass <input type="checkbox"/>	+\$0
<b>G02</b>	stone grey RAL 7030 back painted glass <input type="checkbox"/>	+\$1289
<b>G03</b>	silver - RAL 9006 back painted glass <input type="checkbox"/>	+\$1289
<b>G08</b>	traffic orange RAL 2009 back painted glass <input type="checkbox"/>	+\$1289
<b>G13</b>	pastel blue RAL 5024 back painted glass <input type="checkbox"/>	+\$1289
<b>G14</b>	signal white RAL9003 back painted glass <input type="checkbox"/>	+\$0
<b>G23</b>	black grey RAL 7021 back painted glass <input type="checkbox"/>	+\$1289
<b>G24</b>	leaf green RAL 6002 back painted glass <input type="checkbox"/>	+\$1289
<b>G25</b>	pale green RAL 6021 back painted glass <input type="checkbox"/>	+\$1289
<b>G26</b>	traffic red RAL 3020 back painted glass <input type="checkbox"/>	+\$1289
<b>G28</b>	light pink RAL 3015 back painted glass <input type="checkbox"/>	+\$1289
<b>G29</b>	dark blue RAL 5001 back painted glass <input type="checkbox"/>	+\$1289
<b>G30</b>	oyster RAL 1013 back painted glass <input type="checkbox"/>	+\$1289
<b>G38</b>	broom yellow RAL 1032 back painted glass <input type="checkbox"/>	+\$1289
<b>G39</b>	moss green RAL 6005 back painted glass <input type="checkbox"/>	+\$1289
<b>G40</b>	steel blue RAL 5011 back painted glass <input type="checkbox"/>	+\$1289
<b>WML</b>	white marble <input type="checkbox"/>	+\$2035

## For square coffee table (10)

<b>CLG</b>	clear glass <input type="checkbox"/>	-\$96
<b>WSE</b>	white MF MDF <input type="checkbox"/>	+\$0
<b>BSE</b>	black MF MDF <input type="checkbox"/>	+\$0
<b>OAK</b>	oak <input type="checkbox"/>	+\$45
<b>WLN</b>	walnut <input type="checkbox"/>	+\$45
<b>Q23</b>	lino nero 4123 <input type="checkbox"/>	+\$494
<b>Q32</b>	lino ash 4132 <input type="checkbox"/>	+\$494
<b>Q55</b>	lino pewter 4155 <input type="checkbox"/>	+\$494
<b>Q66</b>	lino charcoal 4166 <input type="checkbox"/>	+\$494
<b>Q72</b>	lino mauve 4172 <input type="checkbox"/>	+\$494
<b>Q75</b>	lino pebble 4175 <input type="checkbox"/>	+\$494
<b>Q76</b>	lino mushroom 4176 <input type="checkbox"/>	+\$494
<b>Q79</b>	lino smokey blue 4179 <input type="checkbox"/>	+\$494
<b>WML</b>	white marble <input type="checkbox"/>	+\$1574
<b>BRG</b>	black reverse painted glass <input type="checkbox"/>	+\$995
<b>WRG</b>	white reverse painted glass <input type="checkbox"/>	+\$995
<b>G00</b>	black RAL 9005 back painted glass <input type="checkbox"/>	+\$0
<b>G02</b>	stone grey RAL 7030 back painted glass <input type="checkbox"/>	+\$995
<b>G03</b>	silver - RAL 9006 back painted glass <input type="checkbox"/>	+\$995
<b>G08</b>	traffic orange RAL 2009 back painted glass <input type="checkbox"/>	+\$995
<b>G13</b>	pastel blue RAL 5024 back painted glass <input type="checkbox"/>	+\$995
<b>G14</b>	signal white RAL9003 back painted glass <input type="checkbox"/>	+\$0
<b>G23</b>	black grey RAL 7021 back painted glass <input type="checkbox"/>	+\$995
<b>G24</b>	leaf green RAL 6002 back painted glass <input type="checkbox"/>	+\$995
<b>G25</b>	pale green RAL 6021 back painted glass <input type="checkbox"/>	+\$995
<b>G26</b>	traffic red RAL 3020 back painted glass <input type="checkbox"/>	+\$995
<b>G28</b>	light pink RAL 3015 back painted glass <input type="checkbox"/>	+\$995
<b>G29</b>	dark blue RAL 5001 back painted glass <input type="checkbox"/>	+\$995
<b>G30</b>	oyster RAL 1013 back painted glass <input type="checkbox"/>	+\$995
<b>G38</b>	broom yellow RAL 1032 back painted glass <input type="checkbox"/>	+\$995
<b>G39</b>	moss green RAL 6005 back painted glass <input type="checkbox"/>	+\$995
<b>G40</b>	steel blue RAL 5011 back painted glass <input type="checkbox"/>	+\$995

**Product Information****Description**

These circular tables have a 1-piece frame handmade from cold drawn mild steel finished with polyester powder coat. Tops are available in a variety of materials and finishes.

**Notes**

Nominal dimensions rounded to the nearest 1/2 inch.

Type	Height	Diameter
00	14	23 1/2
10	14	31 1/2
20	29 1/2	47
30	29 1/2	55

**Specification Information****Step 1.**

**NOTCN2**

**Step 2. Type**

**00** 600 diameter coffee table

**10** 800 diameter coffee table

**Prices for Steps 1-2.**

<b>NOTCN2 00</b>	\$2572
<b>10</b>	\$2816

**Step 3. Base Finish***For 600 diameter coffee table (00)*

<b>R00</b>	black RAL 9005	+\$0
<b>R14</b>	signal white RAL9003	+\$0
<b>R23</b>	black grey RAL 7021	+\$268
<b>R24</b>	leaf green RAL 6002	+\$268
<b>R25</b>	pale green RAL 6021	+\$268
<b>R26</b>	RAL 3020 red	+\$268
<b>R28</b>	light pink RAL 3015	+\$268
<b>R29</b>	dark blue RAL 5001	+\$268
<b>R02</b>	stone grey RAL 7030	+\$268
<b>R03</b>	silver - RAL 9006	+\$268
<b>R08</b>	traffic orange RAL 2009	+\$268
<b>R13</b>	pastel blue RAL 5024	+\$268
<b>R30</b>	oyster RAL 1013 <input type="checkbox"/>	+\$176
<b>R38</b>	broom yellow RAL 1032 <input type="checkbox"/>	+\$268
<b>R39</b>	moss green RAL 6005 <input type="checkbox"/>	+\$268
<b>R40</b>	steel blue RAL 5011 <input type="checkbox"/>	+\$268



*For 800 diameter coffee table (10)*

<b>R00</b>	black RAL 9005	+\$0
<b>R14</b>	signal white RAL9003	+\$0
<b>R23</b>	black grey RAL 7021	+\$268
<b>R24</b>	leaf green RAL 6002	+\$268
<b>R25</b>	pale green RAL 6021	+\$268
<b>R26</b>	RAL 3020 red	+\$268
<b>R28</b>	light pink RAL 3015	+\$268
<b>R29</b>	dark blue RAL 5001	+\$268
<b>R02</b>	stone grey RAL 7030	+\$268
<b>R03</b>	silver - RAL 9006	+\$268
<b>R08</b>	traffic orange RAL 2009	+\$268
<b>R13</b>	pastel blue RAL 5024	+\$268
<b>R30</b>	oyster RAL 1013 <input type="checkbox"/>	+\$176
<b>R38</b>	broom yellow RAL 1032 <input type="checkbox"/>	+\$268
<b>R39</b>	moss green RAL 6005 <input type="checkbox"/>	+\$268
<b>R40</b>	steel blue RAL 5011 <input type="checkbox"/>	+\$268

## Step 4. Surface Finish

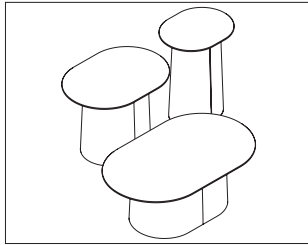
*For 600 diameter coffee table (00)*

<b>WSE</b>	white MF MDF <input type="checkbox"/>	+\$0
<b>BSE</b>	black MF MDF <input type="checkbox"/>	+\$0
<b>OAK</b>	oak <input type="checkbox"/>	+\$17
<b>WLN</b>	walnut <input type="checkbox"/>	+\$17
<b>CLG</b>	clear glass <input type="checkbox"/>	+\$134
<b>Q23</b>	lino nero 4123 <input type="checkbox"/>	+\$401
<b>Q32</b>	lino ash 4132 <input type="checkbox"/>	+\$401
<b>Q55</b>	lino pewter 4155 <input type="checkbox"/>	+\$401
<b>Q66</b>	lino charcoal 4166 <input type="checkbox"/>	+\$401
<b>Q72</b>	lino mauve 4172 <input type="checkbox"/>	+\$401
<b>Q75</b>	lino pebble 4175 <input type="checkbox"/>	+\$401
<b>Q76</b>	lino mushroom 4176 <input type="checkbox"/>	+\$401
<b>Q79</b>	lino smokey blue 4179 <input type="checkbox"/>	+\$401
<b>BRG</b>	black reverse painted glass <input type="checkbox"/>	+\$702
<b>WRG</b>	white reverse painted glass <input type="checkbox"/>	+\$702
<b>G00</b>	black RAL 9005 back painted glass <input type="checkbox"/>	+\$0
<b>G02</b>	stone grey RAL 7030 back painted glass <input type="checkbox"/>	+\$719
<b>G03</b>	silver - RAL 9006 back painted glass <input type="checkbox"/>	+\$719
<b>G08</b>	traffic orange RAL 2009 back painted glass <input type="checkbox"/>	+\$719
<b>G13</b>	pastel blue RAL 5024 back painted glass <input type="checkbox"/>	+\$719
<b>G14</b>	signal white RAL9003 back painted glass <input type="checkbox"/>	+\$0
<b>G23</b>	black grey RAL 7021 back painted glass <input type="checkbox"/>	+\$719
<b>G24</b>	leaf green RAL 6002 back painted glass <input type="checkbox"/>	+\$719
<b>G25</b>	pale green RAL 6021 back painted glass <input type="checkbox"/>	+\$719
<b>G26</b>	traffic red RAL 3020 back painted glass <input type="checkbox"/>	+\$719
<b>G28</b>	light pink RAL 3015 back painted glass <input type="checkbox"/>	+\$719
<b>G29</b>	dark blue RAL 5001 back painted glass <input type="checkbox"/>	+\$719
<b>G30</b>	oyster RAL 1013 back painted glass <input type="checkbox"/>	+\$719
<b>G38</b>	broom yellow RAL 1032 back painted glass <input type="checkbox"/>	+\$719
<b>G39</b>	moss green RAL 6005 back painted glass <input type="checkbox"/>	+\$719
<b>G40</b>	steel blue RAL 5011 back painted glass <input type="checkbox"/>	+\$719
<b>WML</b>	white marble <input type="checkbox"/>	+\$1843

Trace Circle Tables *continued*

For 800 diameter coffee table (10)

<b>WSE</b>	white MF MDF <input type="checkbox"/>	+\$0
<b>BSE</b>	black MF MDF <input type="checkbox"/>	+\$0
<b>OAK</b>	oak <input type="checkbox"/>	+\$106
<b>WLN</b>	walnut <input type="checkbox"/>	+\$106
<b>CLG</b>	clear glass <input type="checkbox"/>	+\$106
<b>Q23</b>	lino nero 4123 <input type="checkbox"/>	+\$453
<b>Q32</b>	lino ash 4132 <input type="checkbox"/>	+\$453
<b>Q55</b>	lino pewter 4155 <input type="checkbox"/>	+\$453
<b>Q66</b>	lino charcoal 4166 <input type="checkbox"/>	+\$453
<b>Q72</b>	lino mauve 4172 <input type="checkbox"/>	+\$453
<b>Q75</b>	lino pebble 4175 <input type="checkbox"/>	+\$453
<b>Q76</b>	lino mushroom 4176 <input type="checkbox"/>	+\$453
<b>Q79</b>	lino smokey blue 4179 <input type="checkbox"/>	+\$453
<b>BRG</b>	black reverse painted glass <input type="checkbox"/>	+\$1205
<b>WRG</b>	white reverse painted glass <input type="checkbox"/>	+\$1205
<b>G00</b>	black RAL 9005 back painted glass <input type="checkbox"/>	+\$0
<b>G02</b>	stone grey RAL 7030 back painted glass <input type="checkbox"/>	+\$1388
<b>G03</b>	silver - RAL 9006 back painted glass <input type="checkbox"/>	+\$1388
<b>G08</b>	traffic orange RAL 2009 back painted glass <input type="checkbox"/>	+\$1388
<b>G13</b>	pastel blue RAL 5024 back painted glass <input type="checkbox"/>	+\$1388
<b>G14</b>	signal white RAL9003 back painted glass <input type="checkbox"/>	+\$0
<b>G23</b>	black grey RAL 7021 back painted glass <input type="checkbox"/>	+\$1388
<b>G24</b>	leaf green RAL 6002 back painted glass <input type="checkbox"/>	+\$1388
<b>G25</b>	pale green RAL 6021 back painted glass <input type="checkbox"/>	+\$1388
<b>G26</b>	traffic red RAL 3020 back painted glass <input type="checkbox"/>	+\$1388
<b>G28</b>	light pink RAL 3015 back painted glass <input type="checkbox"/>	+\$1388
<b>G29</b>	dark blue RAL 5001 back painted glass <input type="checkbox"/>	+\$1388
<b>G30</b>	oyster RAL 1013 back painted glass <input type="checkbox"/>	+\$1388
<b>G38</b>	broom yellow RAL 1032 back painted glass <input type="checkbox"/>	+\$1388
<b>G39</b>	moss green RAL 6005 back painted glass <input type="checkbox"/>	+\$1388
<b>G40</b>	steel blue RAL 5011 back painted glass <input type="checkbox"/>	+\$1388
<b>WML</b>	white marble <input type="checkbox"/>	+\$2331



**Product Information**

**Description**

These coffee and side tables have a steel or upholstered base. The steel base is laser cut, machine bent and powdercoated. The upholstered base is foam over a CNC-machined plywood frame. Tops are available in a variety of materials and finishes.

**Notes**

Nominal dimensions rounded to the nearest 1/2 inch.

Type	Width	Depth	Height
420	16 1/2	13 1/2	21 1/2
620	24 1/2	17 1/2	17 1/2
920	36	22	14

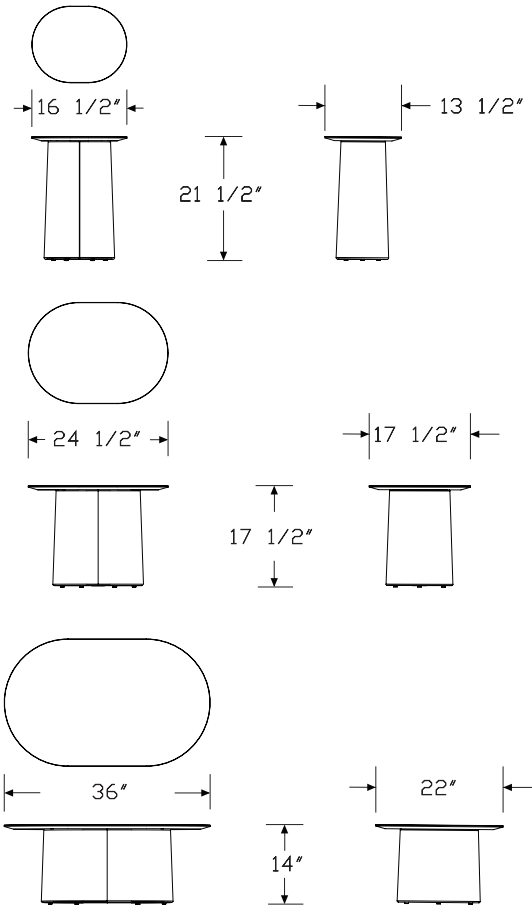
Customer's Own Material (COM) requires the following yardage:

Type	Total
420UP	1
620UP	1
920UP	1 1/2

Customer's Own Leather (COL) requires the following square feet:

Type	Total
420UP	16 1/2
620UP	21 1/2
920UP	27

**Dimensions**



**Specification Information**

Step 1.

**NOTUN**

Step 2. Type

- 420** side table
- 620** coffee table
- 920** low coffee table

Step 3. Base Material

- ST** steel base
- UP** upholstered base

Prices for Steps 1-3.

		ST	UP
<b>NOTUN</b>	<b>420</b>	\$1790	1262
	<b>620</b>	\$1874	1496
	<b>920</b>	\$2115	1813

Step 4.

Steel Base Finish

*For side table (420), coffee table (620), or low coffee table (920) with steel base (ST)*

<b>R00</b>	black RAL 9005 <input type="checkbox"/>	+\$0
<b>R14</b>	signal white RAL9003 <input type="checkbox"/>	+\$0
<b>R02</b>	stone grey RAL 7030 <input type="checkbox"/>	+\$266
<b>R03</b>	silver - RAL 9006 <input type="checkbox"/>	+\$266
<b>R08</b>	traffic orange RAL 2009 <input type="checkbox"/>	+\$266
<b>R13</b>	pastel blue RAL 5024 <input type="checkbox"/>	+\$266
<b>R23</b>	black grey RAL 7021 <input type="checkbox"/>	+\$266
<b>R24</b>	leaf green RAL 6002 <input type="checkbox"/>	+\$266
<b>R25</b>	pale green RAL 6021 <input type="checkbox"/>	+\$266
<b>R26</b>	RAL 3020 red <input type="checkbox"/>	+\$266
<b>R28</b>	light pink RAL 3015 <input type="checkbox"/>	+\$266
<b>R29</b>	dark blue RAL 5001 <input type="checkbox"/>	+\$266
<b>R30</b>	oyster RAL 1013 <input type="checkbox"/>	+\$266
<b>R38</b>	broom yellow RAL 1032 <input type="checkbox"/>	+\$266
<b>R39</b>	moss green RAL 6005 <input type="checkbox"/>	+\$266
<b>R40</b>	steel blue RAL 5011 <input type="checkbox"/>	+\$266

Upholstered Base Fabric

*For side table (420) with upholstered base (UP)*

Price Category (NaughtOne) 0 <input type="checkbox"/>	+\$0
Price Category (NaughtOne) 1	+\$0
Price Category (NaughtOne) 2	+\$33
Price Category (NaughtOne) 3	+\$64
Price Category (NaughtOne) 4	+\$99
Price Category (NaughtOne) 5	+\$164
Price Category (NaughtOne) 6	+\$230
Price Category (NaughtOne) 7	+\$295
Price Category (NaughtOne) 9	+\$426

Step 5. Upholstered Base Fabric

*For coffee table (620) with upholstered base (UP)*

Price Category (NaughtOne) 0 <input type="checkbox"/>	+\$0
Price Category (NaughtOne) 1	+\$0
Price Category (NaughtOne) 2	+\$41
Price Category (NaughtOne) 3	+\$81
Price Category (NaughtOne) 4	+\$123
Price Category (NaughtOne) 5	+\$203
Price Category (NaughtOne) 6	+\$283
Price Category (NaughtOne) 7	+\$363
Price Category (NaughtOne) 9	+\$523

Step 6. Upholstered Base Fabric

*For low coffee table (920) with upholstered base (UP)*

Price Category (NaughtOne) 0 <input type="checkbox"/>	+\$0
Price Category (NaughtOne) 1	+\$0
Price Category (NaughtOne) 2	+\$49
Price Category (NaughtOne) 3	+\$98
Price Category (NaughtOne) 4	+\$146
Price Category (NaughtOne) 5	+\$241
Price Category (NaughtOne) 6	+\$338
Price Category (NaughtOne) 7	+\$435
Price Category (NaughtOne) 9	+\$628

## Tun Coffee and Side Tables *continued*

### Step 7. Surface Finish

#### For side table (420)

<b>WRC</b>	white MFMDf with reverse chamfer edge <input type="checkbox"/>	+\$0
<b>BRC</b>	black MFMDf with reverse chamfer edge <input type="checkbox"/>	+\$0
<b>OAK</b>	oak with reverse chamfer edge <input type="checkbox"/>	+\$74
<b>WLN</b>	walnut with reverse chamfer edge <input type="checkbox"/>	+\$74
<b>Q23</b>	lino nero 4023 with reverse chamfer edge <input type="checkbox"/>	+\$528
<b>Q32</b>	lino ash 4132 with reverse chamfer edge <input type="checkbox"/>	+\$528
<b>Q55</b>	lino pewter 4155 with reverse chamfer edge <input type="checkbox"/>	+\$528
<b>Q66</b>	lino charcoal 4166 with reverse chamfer edge <input type="checkbox"/>	+\$528
<b>Q72</b>	lino mauve 4172 with reverse chamfer edge <input type="checkbox"/>	+\$528
<b>Q75</b>	lino pebble 4175 with reverse chamfer edge <input type="checkbox"/>	+\$528
<b>Q76</b>	lino mushroom 4176 with reverse chamfer edge <input type="checkbox"/>	+\$528
<b>Q79</b>	lino smokey blue 4179 with reverse chamfer edge <input type="checkbox"/>	+\$528

#### For coffee table (620)

<b>WRC</b>	white MFMDf with reverse chamfer edge <input type="checkbox"/>	+\$0
<b>BRC</b>	black MFMDf with reverse chamfer edge <input type="checkbox"/>	+\$0
<b>OAK</b>	oak with reverse chamfer edge <input type="checkbox"/>	+\$275
<b>WLN</b>	walnut with reverse chamfer edge <input type="checkbox"/>	+\$275
<b>Q23</b>	lino nero 4023 with reverse chamfer edge <input type="checkbox"/>	+\$672
<b>Q32</b>	lino ash 4132 with reverse chamfer edge <input type="checkbox"/>	+\$672
<b>Q55</b>	lino pewter 4155 with reverse chamfer edge <input type="checkbox"/>	+\$672
<b>Q66</b>	lino charcoal 4166 with reverse chamfer edge <input type="checkbox"/>	+\$672
<b>Q72</b>	lino mauve 4172 with reverse chamfer edge <input type="checkbox"/>	+\$672
<b>Q75</b>	lino pebble 4175 with reverse chamfer edge <input type="checkbox"/>	+\$672
<b>Q76</b>	lino mushroom 4176 with reverse chamfer edge <input type="checkbox"/>	+\$672
<b>Q79</b>	lino smokey blue 4179 with reverse chamfer edge <input type="checkbox"/>	+\$672

#### For low coffee table (920)

<b>WRC</b>	white MFMDf with reverse chamfer edge <input type="checkbox"/>	+\$0
<b>BRC</b>	black MFMDf with reverse chamfer edge <input type="checkbox"/>	+\$0
<b>OAK</b>	oak with reverse chamfer edge <input type="checkbox"/>	+\$275
<b>WLN</b>	walnut with reverse chamfer edge <input type="checkbox"/>	+\$275
<b>Q23</b>	lino nero 4023 with reverse chamfer edge <input type="checkbox"/>	+\$672
<b>Q32</b>	lino ash 4132 with reverse chamfer edge <input type="checkbox"/>	+\$672
<b>Q55</b>	lino pewter 4155 with reverse chamfer edge <input type="checkbox"/>	+\$672
<b>Q66</b>	lino charcoal 4166 with reverse chamfer edge <input type="checkbox"/>	+\$672
<b>Q72</b>	lino mauve 4172 with reverse chamfer edge <input type="checkbox"/>	+\$672
<b>Q75</b>	lino pebble 4175 with reverse chamfer edge <input type="checkbox"/>	+\$672
<b>Q76</b>	lino mushroom 4176 with reverse chamfer edge <input type="checkbox"/>	+\$672
<b>Q79</b>	lino smokey blue 4179 with reverse chamfer edge <input type="checkbox"/>	+\$672

### Step 8. Power Cutout

#### For side table (420)

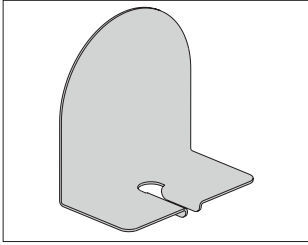
<b>OCS</b>	no cutout <input type="checkbox"/>	+\$0
------------	------------------------------------	------

#### For coffee table (620)

<b>OCS</b>	no cutout <input type="checkbox"/>	+\$0
<b>BYROCK</b>	with central cut-out for Byrne Rock power unit <input type="checkbox"/>	+\$466

#### For low coffee table (920)

<b>OCS</b>	no cutout <input type="checkbox"/>	+\$0
<b>BYKIA</b>	with central cut-out for Byrne Kia power unit <input type="checkbox"/>	+\$466



NaughtOne® Meeting Tables

**Product Information**

**Description**

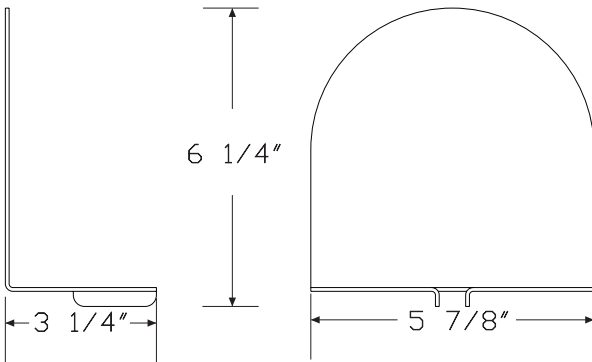
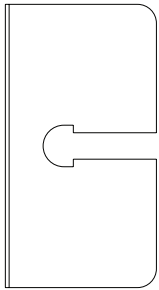
This Morse Table System book end is laser cut and folded mild steel, which is then powder coated. There are folded steel tabs to the base which align the book end within the Morse Table System accessories channel.

**Notes**

Nominal dimensions rounded to the nearest 1/2 inch.

Type	Width	Depth	Height
SG	3	6	6 1/2

**Dimensions**



**Specification Information**

**Step 1.**

**NOMABKE**

**Step 2. Type**

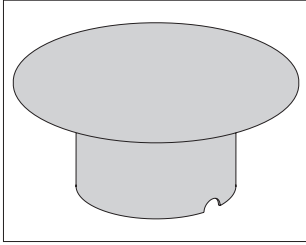
**SG** single unit

**Prices for Steps 1-2.**

**NOMABKE SG** \$175

**Step 3. Steel Finish**

<b>R00</b>	black RAL 9005 <input type="checkbox"/>	+\$0
<b>R14</b>	signal white RAL9003 <input type="checkbox"/>	+\$0
<b>R02</b>	stone grey RAL 7030 <input type="checkbox"/>	+\$0
<b>R03</b>	silver - RAL 9006 <input type="checkbox"/>	+\$0
<b>R08</b>	traffic orange RAL 2009 <input type="checkbox"/>	+\$0
<b>R13</b>	pastel blue RAL 5024 <input type="checkbox"/>	+\$0
<b>R23</b>	black grey RAL 7021 <input type="checkbox"/>	+\$0
<b>R24</b>	leaf green RAL 6002 <input type="checkbox"/>	+\$0
<b>R25</b>	pale green RAL 6021 <input type="checkbox"/>	+\$0
<b>R26</b>	RAL 3020 red <input type="checkbox"/>	+\$0
<b>R28</b>	light pink RAL 3015 <input type="checkbox"/>	+\$0
<b>R29</b>	dark blue RAL 5001 <input type="checkbox"/>	+\$0
<b>R30</b>	oyster RAL 1013 <input type="checkbox"/>	+\$0
<b>R38</b>	broom yellow RAL 1032 <input type="checkbox"/>	+\$0
<b>R39</b>	moss green RAL 6005 <input type="checkbox"/>	+\$0
<b>R40</b>	steel blue RAL 5011 <input type="checkbox"/>	+\$0



**Product Information**

**Description**

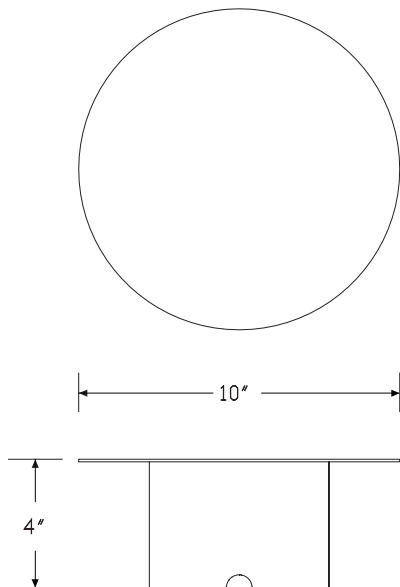
This shelf is laser cut and folded mild steel which is then welded and powder coated. A location plate on the underside aligns the Dot shelf within the Morse table accessories channel. Shelf base includes cutout for cable pass-through.

**Notes**

Nominal dimensions rounded to the nearest 1/2 inch.

Width	Depth	Height
10	10	4

**Dimensions**



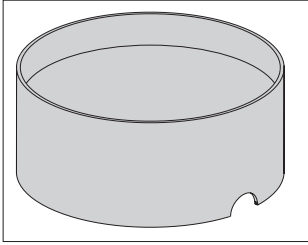
**Specification Information**

**Step 1.**

**NOMADOTS**  \$436

**Step 2. Steel Finish**

<b>R00</b>	black RAL 9005 <input type="checkbox"/>	+\$0
<b>R14</b>	signal white RAL9003 <input type="checkbox"/>	+\$0
<b>R02</b>	stone grey RAL 7030 <input type="checkbox"/>	+\$0
<b>R03</b>	silver - RAL 9006 <input type="checkbox"/>	+\$0
<b>R08</b>	traffic orange RAL 2009 <input type="checkbox"/>	+\$0
<b>R13</b>	pastel blue RAL 5024 <input type="checkbox"/>	+\$0
<b>R23</b>	black grey RAL 7021 <input type="checkbox"/>	+\$0
<b>R24</b>	leaf green RAL 6002 <input type="checkbox"/>	+\$0
<b>R25</b>	pale green RAL 6021 <input type="checkbox"/>	+\$0
<b>R26</b>	RAL 3020 red <input type="checkbox"/>	+\$0
<b>R28</b>	light pink RAL 3015 <input type="checkbox"/>	+\$0
<b>R29</b>	dark blue RAL 5001 <input type="checkbox"/>	+\$0
<b>R30</b>	oyster RAL 1013 <input type="checkbox"/>	+\$0
<b>R38</b>	broom yellow RAL 1032 <input type="checkbox"/>	+\$0
<b>R39</b>	moss green RAL 6005 <input type="checkbox"/>	+\$0
<b>R40</b>	steel blue RAL 5011 <input type="checkbox"/>	+\$0



NaughtOne® Meeting Tables

**Product Information**

**Description**

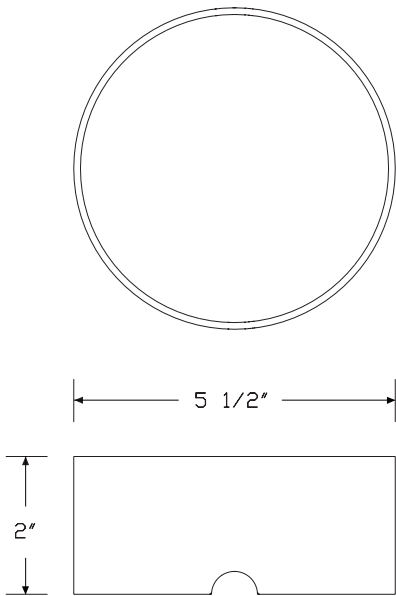
This tray is laser cut and folded mild steel which is then welded and powder coated. A location plate on the underside aligns the Dot tray within the Morse table accessories channel. Tray base includes cutout for cable pass-through.

**Notes**

Nominal dimensions rounded to the nearest 1/2 inch.

Width	Depth	Height
5 1/2	5 1/2	2

**Dimensions**



**Specification Information**

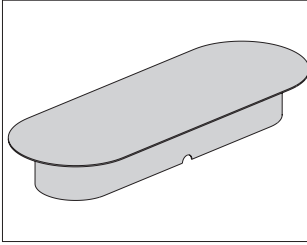
**Step 1.**

**NOMADOTT** [A] \$436

**Step 2. Steel Finish**

<b>R00</b>	black RAL 9005 [A]	+\$0
<b>R14</b>	signal white RAL9003 [A]	+\$0
<b>R02</b>	stone grey RAL 7030 [A]	+\$0
<b>R03</b>	silver - RAL 9006 [A]	+\$0
<b>R08</b>	traffic orange RAL 2009 [A]	+\$0
<b>R13</b>	pastel blue RAL 5024 [A]	+\$0
<b>R23</b>	black grey RAL 7021 [A]	+\$0
<b>R24</b>	leaf green RAL 6002 [A]	+\$0
<b>R25</b>	pale green RAL 6021 [A]	+\$0
<b>R26</b>	RAL 3020 red [A]	+\$0
<b>R28</b>	light pink RAL 3015 [A]	+\$0
<b>R29</b>	dark blue RAL 5001 [A]	+\$0
<b>R30</b>	oyster RAL 1013 [A]	+\$0
<b>R38</b>	broom yellow RAL 1032 [A]	+\$0
<b>R39</b>	moss green RAL 6005 [A]	+\$0
<b>R40</b>	steel blue RAL 5011 [A]	+\$0





**Product Information**

**Description**

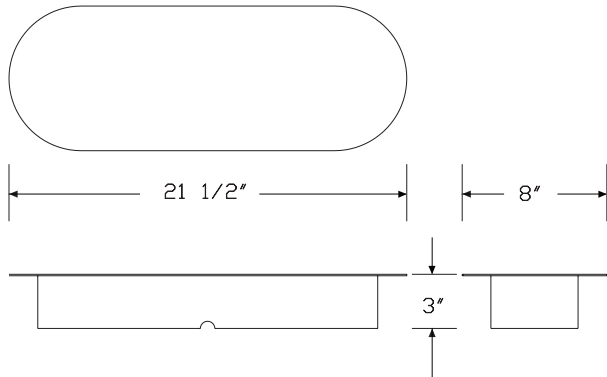
This shelf is laser cut and folded mild steel which is then welded and powder coated. A location plate on the underside aligns the Dash shelf within the Morse table accessories channel. Shelf base includes cutout for cable pass-through.

**Notes**

Nominal dimensions rounded to the nearest 1/2 inch.

Width	Depth	Height
21 1/2	8	3

**Dimensions**



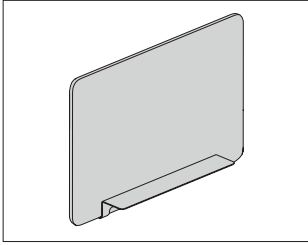
**Specification Information**

**Step 1.**

**NOMADSHS**  \$580

**Step 2. Steel Finish**

<b>R00</b>	black RAL 9005 <input type="checkbox"/>	+\$0
<b>R14</b>	signal white RAL9003 <input type="checkbox"/>	+\$0
<b>R02</b>	stone grey RAL 7030 <input type="checkbox"/>	+\$0
<b>R03</b>	silver - RAL 9006 <input type="checkbox"/>	+\$0
<b>R08</b>	traffic orange RAL 2009 <input type="checkbox"/>	+\$0
<b>R13</b>	pastel blue RAL 5024 <input type="checkbox"/>	+\$0
<b>R23</b>	black grey RAL 7021 <input type="checkbox"/>	+\$0
<b>R24</b>	leaf green RAL 6002 <input type="checkbox"/>	+\$0
<b>R25</b>	pale green RAL 6021 <input type="checkbox"/>	+\$0
<b>R26</b>	RAL 3020 red <input type="checkbox"/>	+\$0
<b>R28</b>	light pink RAL 3015 <input type="checkbox"/>	+\$0
<b>R29</b>	dark blue RAL 5001 <input type="checkbox"/>	+\$0
<b>R30</b>	oyster RAL 1013 <input type="checkbox"/>	+\$0
<b>R38</b>	broom yellow RAL 1032 <input type="checkbox"/>	+\$0
<b>R39</b>	moss green RAL 6005 <input type="checkbox"/>	+\$0
<b>R40</b>	steel blue RAL 5011 <input type="checkbox"/>	+\$0



NaughtOne® Meeting Tables

**Product Information**

**Description**

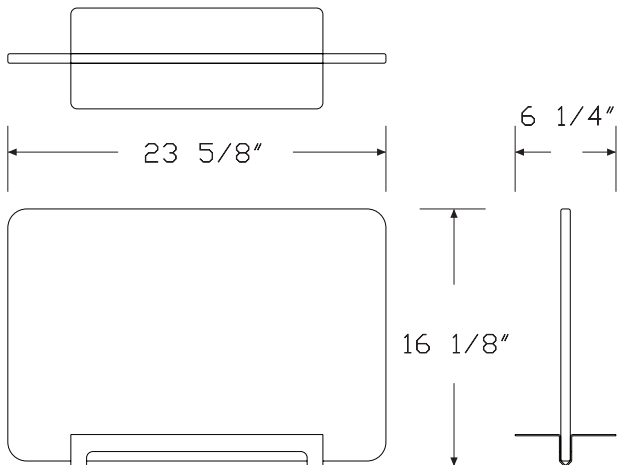
This Morse Table System divider has a cork panel and a laser cut and folded mild steel base, which is then powder coated. The folded steel base slots into the Morse Table System accessories channel.

**Notes**

Nominal dimensions rounded to the nearest 1/2 inch.

Type	Width	Depth	Height
CK	23 1/2"	6"	16"

**Dimensions**



**Specification Information**

**Step 1.**

**NOMADVD** A

**Step 2. Type**

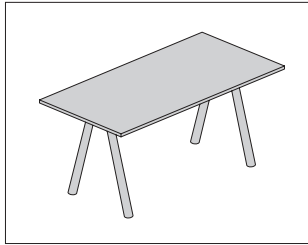
**CK** cork A

**Prices for Steps 1-2.**

**NOMADVD CK** \$492

**Step 3. Steel Finish**

<b>R00</b>	black RAL 9005 <span style="border: 1px solid black; padding: 0 2px;">A</span>	+\$0
<b>R14</b>	signal white RAL9003 <span style="border: 1px solid black; padding: 0 2px;">A</span>	+\$0
<b>R02</b>	stone grey RAL 7030 <span style="border: 1px solid black; padding: 0 2px;">A</span>	+\$0
<b>R03</b>	silver - RAL 9006 <span style="border: 1px solid black; padding: 0 2px;">A</span>	+\$0
<b>R08</b>	traffic orange RAL 2009 <span style="border: 1px solid black; padding: 0 2px;">A</span>	+\$0
<b>R13</b>	pastel blue RAL 5024 <span style="border: 1px solid black; padding: 0 2px;">A</span>	+\$0
<b>R23</b>	black grey RAL 7021 <span style="border: 1px solid black; padding: 0 2px;">A</span>	+\$0
<b>R24</b>	leaf green RAL 6002 <span style="border: 1px solid black; padding: 0 2px;">A</span>	+\$0
<b>R25</b>	pale green RAL 6021 <span style="border: 1px solid black; padding: 0 2px;">A</span>	+\$0
<b>R26</b>	RAL 3020 red <span style="border: 1px solid black; padding: 0 2px;">A</span>	+\$0
<b>R28</b>	light pink RAL 3015 <span style="border: 1px solid black; padding: 0 2px;">A</span>	+\$0
<b>R29</b>	dark blue RAL 5001 <span style="border: 1px solid black; padding: 0 2px;">A</span>	+\$0
<b>R30</b>	oyster RAL 1013 <span style="border: 1px solid black; padding: 0 2px;">A</span>	+\$0
<b>R38</b>	broom yellow RAL 1032 <span style="border: 1px solid black; padding: 0 2px;">A</span>	+\$0
<b>R39</b>	moss green RAL 6005 <span style="border: 1px solid black; padding: 0 2px;">A</span>	+\$0
<b>R40</b>	steel blue RAL 5011 <span style="border: 1px solid black; padding: 0 2px;">A</span>	+\$0



**Product Information**

**Description**

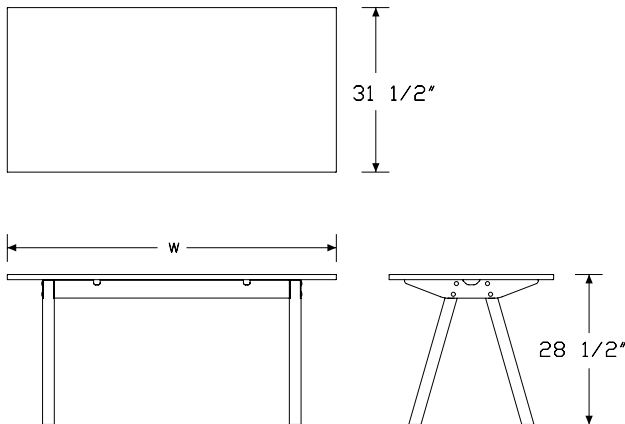
This table has a laser cut and folded mild steel underframe, finished with polyester powder coat. Legs come in either powder coated mild steel, or solid wood finished in a clear lacquer. Tops are available in a variety of materials and finishes. Fixed height legs provide 3/4" of leveling adjustment. Product is delivered unassembled.

**Notes**

When specified with a cable managed leg, a standard leg is replaced with a version that has an aperture to guide a cable from table top to floor. Cable managed leg can be used in any leg position.

Dimensional illustration does not contain all configurations.

**Dimensions**



**Specification Information**

**Step 1.**

**NOMSAC3**

**Step 2. Type**

<b>16</b>	rectangular table - 1600w x 800d <input type="checkbox"/>	+\$3342
<b>24</b>	rectangular table - 2400w x 800d <input type="checkbox"/>	+\$3931

**Step 3. Cable Management**

<b>A</b>	no dot power port, no cable management <input type="checkbox"/>	+\$0
<b>X</b>	no dot power port, comes with cable managed leg <input type="checkbox"/>	+\$295

**Step 4. Leg Material**

<b>W</b>	wood <input type="checkbox"/>	+\$0
<b>S</b>	steel <input type="checkbox"/>	+\$0

**Step 5. Leg Finish**

*For wood (W)*

<b>OAK</b>	oak <input type="checkbox"/>	+\$302
------------	------------------------------	--------

*For steel (S)*

<b>R00</b>	black RAL 9005 <input type="checkbox"/>	+\$0
<b>R14</b>	signal white RAL9003 <input type="checkbox"/>	+\$0
<b>R02</b>	stone grey RAL 7030 <input type="checkbox"/>	+\$302
<b>R03</b>	silver - RAL 9006 <input type="checkbox"/>	+\$302
<b>R08</b>	traffic orange RAL 2009 <input type="checkbox"/>	+\$302
<b>R13</b>	pastel blue RAL 5024 <input type="checkbox"/>	+\$302
<b>R23</b>	black grey RAL 7021 <input type="checkbox"/>	+\$302
<b>R24</b>	leaf green RAL 6002 <input type="checkbox"/>	+\$302
<b>R25</b>	pale green RAL 6021 <input type="checkbox"/>	+\$302
<b>R26</b>	RAL 3020 red <input type="checkbox"/>	+\$302
<b>R28</b>	light pink RAL 3015 <input type="checkbox"/>	+\$302
<b>R29</b>	dark blue RAL 5001 <input type="checkbox"/>	+\$302
<b>R30</b>	oyster RAL 1013 <input type="checkbox"/>	+\$302
<b>R38</b>	broom yellow RAL 1032 <input type="checkbox"/>	+\$302
<b>R39</b>	moss green RAL 6005 <input type="checkbox"/>	+\$302
<b>R40</b>	steel blue RAL 5011 <input type="checkbox"/>	+\$302

# Morse 31.5" Deep Work Table

continued

## Step 6. Under-Frame Finish

<b>R00</b>	black RAL 9005 <input type="checkbox"/>	+\$0
<b>R14</b>	signal white RAL9003 <input type="checkbox"/>	+\$0
<b>R02</b>	stone grey RAL 7030 <input type="checkbox"/>	+\$454
<b>R03</b>	silver - RAL 9006 <input type="checkbox"/>	+\$454
<b>R08</b>	traffic orange RAL 2009 <input type="checkbox"/>	+\$454
<b>R13</b>	pastel blue RAL 5024 <input type="checkbox"/>	+\$454
<b>R23</b>	black grey RAL 7021 <input type="checkbox"/>	+\$454
<b>R24</b>	leaf green RAL 6002 <input type="checkbox"/>	+\$454
<b>R25</b>	pale green RAL 6021 <input type="checkbox"/>	+\$454
<b>R26</b>	RAL 3020 red <input type="checkbox"/>	+\$454
<b>R28</b>	light pink RAL 3015 <input type="checkbox"/>	+\$454
<b>R29</b>	dark blue RAL 5001 <input type="checkbox"/>	+\$454
<b>R30</b>	oyster RAL 1013 <input type="checkbox"/>	+\$454
<b>R38</b>	broom yellow RAL 1032 <input type="checkbox"/>	+\$454
<b>R39</b>	moss green RAL 6005 <input type="checkbox"/>	+\$454
<b>R40</b>	steel blue RAL 5011 <input type="checkbox"/>	+\$454

## Step 7. Surface Finish

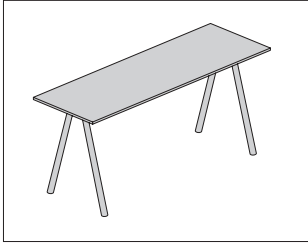
### For rectangular table - 1600w x 800d (16)

<b>BSE</b>	black MFMDf top with edge band <input type="checkbox"/>	+\$0
<b>WSE</b>	white MFMDf top with edge band <input type="checkbox"/>	+\$0
<b>OKE</b>	oak veneer top with edge band <input type="checkbox"/>	+\$1380
<b>J23</b>	4023 Nero forbo lino top with edge band <input type="checkbox"/>	+\$1446
<b>J32</b>	4132 Ash forbo lino top with edge band <input type="checkbox"/>	+\$1446
<b>J55</b>	4155 Pewter forbo lino top with edge band <input type="checkbox"/>	+\$1446
<b>J57</b>	4157 Pearl forbo lino top with edge band <input type="checkbox"/>	+\$1446
<b>J64</b>	4164 Salsa forbo lino top with edge band <input type="checkbox"/>	+\$1446
<b>J66</b>	4166 Charcoal forbo lino top with edge band <input type="checkbox"/>	+\$1446
<b>J72</b>	4172 Mauve forbo lino top with edge band <input type="checkbox"/>	+\$1446
<b>J74</b>	4174 Conifer forbo lino top with edge band <input type="checkbox"/>	+\$1446
<b>J75</b>	4175 Pebble forbo lino top with edge band <input type="checkbox"/>	+\$1446
<b>J76</b>	4176 Mushroom forbo lino top with edge band <input type="checkbox"/>	+\$1446
<b>J77</b>	4177 Vapour forbo lino top with edge band <input type="checkbox"/>	+\$1446
<b>J78</b>	4178 Iron forbo lino top with edge band <input type="checkbox"/>	+\$1446
<b>J79</b>	4179 Smokey Blue forbo lino top with edge band <input type="checkbox"/>	+\$1446
<b>J80</b>	4180 Aquavert forbo lino top with edge band <input type="checkbox"/>	+\$1446
<b>J81</b>	4181 Midnight Blue forbo lino top with edge band <input type="checkbox"/>	+\$1446
<b>J82</b>	4182 Spring Green forbo lino top with edge band <input type="checkbox"/>	+\$1446
<b>J83</b>	4183 Pistachio forbo lino top with edge band <input type="checkbox"/>	+\$1446
<b>J84</b>	4184 Olive forbo lino top with edge band <input type="checkbox"/>	+\$1446
<b>J85</b>	4185 Powder forbo lino top with edge band <input type="checkbox"/>	+\$1446
<b>J86</b>	4186 Orange Blast forbo lino top with edge band <input type="checkbox"/>	+\$1446

### For rectangular table - 2400w x 800d (24)

<b>BSE</b>	black MFMDf top with edge band <input type="checkbox"/>	+\$0
<b>WSE</b>	white MFMDf top with edge band <input type="checkbox"/>	+\$0
<b>OKE</b>	oak veneer top with edge band <input type="checkbox"/>	+\$1125
<b>J23</b>	4023 Nero forbo lino top with edge band <input type="checkbox"/>	+\$1696
<b>J32</b>	4132 Ash forbo lino top with edge band <input type="checkbox"/>	+\$1696
<b>J55</b>	4155 Pewter forbo lino top with edge band <input type="checkbox"/>	+\$1696
<b>J57</b>	4157 Pearl forbo lino top with edge band <input type="checkbox"/>	+\$1696
<b>J64</b>	4164 Salsa forbo lino top with edge band <input type="checkbox"/>	+\$1696
<b>J66</b>	4166 Charcoal forbo lino top with edge band <input type="checkbox"/>	+\$1696
<b>J72</b>	4172 Mauve forbo lino top with edge band <input type="checkbox"/>	+\$1696
<b>J74</b>	4174 Conifer forbo lino top with edge band <input type="checkbox"/>	+\$1696
<b>J75</b>	4175 Pebble forbo lino top with edge band <input type="checkbox"/>	+\$1696
<b>J76</b>	4176 Mushroom forbo lino top with edge band <input type="checkbox"/>	+\$1696
<b>J77</b>	4177 Vapour forbo lino top with edge band <input type="checkbox"/>	+\$1696
<b>J78</b>	4178 Iron forbo lino top with edge band <input type="checkbox"/>	+\$1696
<b>J79</b>	4179 Smokey Blue forbo lino top with edge band <input type="checkbox"/>	+\$1696
<b>J80</b>	4180 Aquavert forbo lino top with edge band <input type="checkbox"/>	+\$1696
<b>J81</b>	4181 Midnight Blue forbo lino top with edge band <input type="checkbox"/>	+\$1696
<b>J82</b>	4182 Spring Green forbo lino top with edge band <input type="checkbox"/>	+\$1696
<b>J83</b>	4183 Pistachio forbo lino top with edge band <input type="checkbox"/>	+\$1696
<b>J84</b>	4184 Olive forbo lino top with edge band <input type="checkbox"/>	+\$1696
<b>J85</b>	4185 Powder forbo lino top with edge band <input type="checkbox"/>	+\$1696
<b>J86</b>	4186 Orange Blast forbo lino top with edge band <input type="checkbox"/>	+\$1696

Morse Bar Height 31.5" Deep Work Table NOMSA



**Product Information**

**Description**

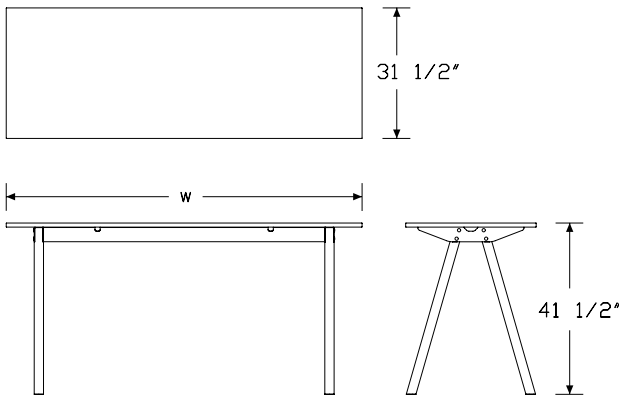
This table has a laser cut and folded mild steel underframe, finished with polyester powder coat. Legs come in either powder coated mild steel, or solid wood finished in a clear lacquer. Tops are available in a variety of materials and finishes. Fixed height legs provide 3/4" of leveling adjustment. Product is delivered unassembled.

**Notes**

When specified with a cable managed leg, a standard leg is replaced with a version that has an aperture to guide a cable from table top to floor. Cable managed leg can be used in any leg position.

Dimensional illustration does not contain all configurations.

**Dimensions**



**Specification Information**

**Step 1.**

**NOMSAC5**

**Step 2. Type**

<b>16</b>	bar height rectangular table - 1600w x 800d <input type="checkbox"/>	+\$3540
<b>24</b>	bar height rectangular table - 2400w x 800d <input type="checkbox"/>	+\$4130

**Step 3. Cable Management**

<b>A</b>	no dot power port, no cable management <input type="checkbox"/>	+\$0
<b>X</b>	no dot power port, comes with cable managed leg <input type="checkbox"/>	+\$295

**Step 4. Leg Material**

<b>W</b>	wood <input type="checkbox"/>	+\$0
<b>S</b>	steel <input type="checkbox"/>	+\$0

**Step 5. Leg Finish**

*For wood (W)*

<b>OAK</b>	oak <input type="checkbox"/>	+\$302
------------	------------------------------	--------

*For steel (S)*

<b>R00</b>	black RAL 9005 <input type="checkbox"/>	+\$0
<b>R14</b>	signal white RAL9003 <input type="checkbox"/>	+\$0
<b>R02</b>	stone grey RAL 7030 <input type="checkbox"/>	+\$302
<b>R03</b>	silver - RAL 9006 <input type="checkbox"/>	+\$302
<b>R08</b>	traffic orange RAL 2009 <input type="checkbox"/>	+\$302
<b>R13</b>	pastel blue RAL 5024 <input type="checkbox"/>	+\$302
<b>R23</b>	black grey RAL 7021 <input type="checkbox"/>	+\$302
<b>R24</b>	leaf green RAL 6002 <input type="checkbox"/>	+\$302
<b>R25</b>	pale green RAL 6021 <input type="checkbox"/>	+\$302
<b>R26</b>	RAL 3020 red <input type="checkbox"/>	+\$302
<b>R28</b>	light pink RAL 3015 <input type="checkbox"/>	+\$302
<b>R29</b>	dark blue RAL 5001 <input type="checkbox"/>	+\$302
<b>R30</b>	oyster RAL 1013 <input type="checkbox"/>	+\$302
<b>R38</b>	broom yellow RAL 1032 <input type="checkbox"/>	+\$302
<b>R39</b>	moss green RAL 6005 <input type="checkbox"/>	+\$302
<b>R40</b>	steel blue RAL 5011 <input type="checkbox"/>	+\$302

# Morse Bar Height 31.5" Deep Work Table *continued*

## Step 6. Under-Frame Finish

<b>R00</b>	black RAL 9005 <input type="checkbox"/>	+\$0
<b>R14</b>	signal white RAL9003 <input type="checkbox"/>	+\$0
<b>R02</b>	stone grey RAL 7030 <input type="checkbox"/>	+\$454
<b>R03</b>	silver - RAL 9006 <input type="checkbox"/>	+\$454
<b>R08</b>	traffic orange RAL 2009 <input type="checkbox"/>	+\$454
<b>R13</b>	pastel blue RAL 5024 <input type="checkbox"/>	+\$454
<b>R23</b>	black grey RAL 7021 <input type="checkbox"/>	+\$454
<b>R24</b>	leaf green RAL 6002 <input type="checkbox"/>	+\$454
<b>R25</b>	pale green RAL 6021 <input type="checkbox"/>	+\$454
<b>R26</b>	RAL 3020 red <input type="checkbox"/>	+\$454
<b>R28</b>	light pink RAL 3015 <input type="checkbox"/>	+\$454
<b>R29</b>	dark blue RAL 5001 <input type="checkbox"/>	+\$454
<b>R30</b>	oyster RAL 1013 <input type="checkbox"/>	+\$454
<b>R38</b>	broom yellow RAL 1032 <input type="checkbox"/>	+\$454
<b>R39</b>	moss green RAL 6005 <input type="checkbox"/>	+\$454
<b>R40</b>	steel blue RAL 5011 <input type="checkbox"/>	+\$454

## Step 7. Surface Finish

### *For bar height rectangular table - 1600w x 800d (16)*

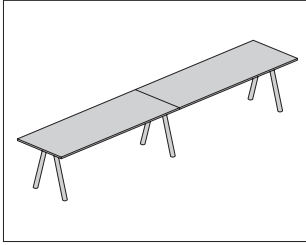
<b>BSE</b>	black MF MDF top with edge band <input type="checkbox"/>	+\$0
<b>WSE</b>	white MF MDF top with edge band <input type="checkbox"/>	+\$0
<b>OKE</b>	oak veneer top with edge band <input type="checkbox"/>	+\$1380
<b>J23</b>	4023 Nero forbo lino top with edge band <input type="checkbox"/>	+\$1446
<b>J32</b>	4132 Ash forbo lino top with edge band <input type="checkbox"/>	+\$1446
<b>J55</b>	4155 Pewter forbo lino top with edge band <input type="checkbox"/>	+\$1446
<b>J57</b>	4157 Pearl forbo lino top with edge band <input type="checkbox"/>	+\$1446
<b>J64</b>	4164 Salsa forbo lino top with edge band <input type="checkbox"/>	+\$1446
<b>J66</b>	4166 Charcoal forbo lino top with edge band <input type="checkbox"/>	+\$1446
<b>J72</b>	4172 Mauve forbo lino top with edge band <input type="checkbox"/>	+\$1446
<b>J74</b>	4174 Conifer forbo lino top with edge band <input type="checkbox"/>	+\$1446
<b>J75</b>	4175 Pebble forbo lino top with edge band <input type="checkbox"/>	+\$1446
<b>J76</b>	4176 Mushroom forbo lino top with edge band <input type="checkbox"/>	+\$1446
<b>J77</b>	4177 Vapour forbo lino top with edge band <input type="checkbox"/>	+\$1446
<b>J78</b>	4178 Iron forbo lino top with edge band <input type="checkbox"/>	+\$1446
<b>J79</b>	4179 Smokey Blue forbo lino top with edge band <input type="checkbox"/>	+\$1446
<b>J80</b>	4180 Aquavert forbo lino top with edge band <input type="checkbox"/>	+\$1446
<b>J81</b>	4181 Midnight Blue forbo lino top with edge band <input type="checkbox"/>	+\$1446
<b>J82</b>	4182 Spring Green forbo lino top with edge band <input type="checkbox"/>	+\$1446
<b>J83</b>	4183 Pistachio forbo lino top with edge band <input type="checkbox"/>	+\$1446
<b>J84</b>	4184 Olive forbo lino top with edge band <input type="checkbox"/>	+\$1446
<b>J85</b>	4185 Powder forbo lino top with edge band <input type="checkbox"/>	+\$1446
<b>J86</b>	4186 Orange Blast forbo lino top with edge band <input type="checkbox"/>	+\$1446

### *For bar height rectangular table - 2400w x 800d (24)*

<b>BSE</b>	black MF MDF top with edge band <input type="checkbox"/>	+\$0
<b>WSE</b>	white MF MDF top with edge band <input type="checkbox"/>	+\$0
<b>OKE</b>	oak veneer top with edge band <input type="checkbox"/>	+\$1125
<b>J23</b>	4023 Nero forbo lino top with edge band <input type="checkbox"/>	+\$1696
<b>J32</b>	4132 Ash forbo lino top with edge band <input type="checkbox"/>	+\$1696
<b>J55</b>	4155 Pewter forbo lino top with edge band <input type="checkbox"/>	+\$1696
<b>J57</b>	4157 Pearl forbo lino top with edge band <input type="checkbox"/>	+\$1696
<b>J64</b>	4164 Salsa forbo lino top with edge band <input type="checkbox"/>	+\$1696
<b>J66</b>	4166 Charcoal forbo lino top with edge band <input type="checkbox"/>	+\$1696
<b>J72</b>	4172 Mauve forbo lino top with edge band <input type="checkbox"/>	+\$1696
<b>J74</b>	4174 Conifer forbo lino top with edge band <input type="checkbox"/>	+\$1696
<b>J75</b>	4175 Pebble forbo lino top with edge band <input type="checkbox"/>	+\$1696
<b>J76</b>	4176 Mushroom forbo lino top with edge band <input type="checkbox"/>	+\$1696
<b>J77</b>	4177 Vapour forbo lino top with edge band <input type="checkbox"/>	+\$1696
<b>J78</b>	4178 Iron forbo lino top with edge band <input type="checkbox"/>	+\$1696
<b>J79</b>	4179 Smokey Blue forbo lino top with edge band <input type="checkbox"/>	+\$1696
<b>J80</b>	4180 Aquavert forbo lino top with edge band <input type="checkbox"/>	+\$1696
<b>J81</b>	4181 Midnight Blue forbo lino top with edge band <input type="checkbox"/>	+\$1696
<b>J82</b>	4182 Spring Green forbo lino top with edge band <input type="checkbox"/>	+\$1696
<b>J83</b>	4183 Pistachio forbo lino top with edge band <input type="checkbox"/>	+\$1696
<b>J84</b>	4184 Olive forbo lino top with edge band <input type="checkbox"/>	+\$1696
<b>J85</b>	4185 Powder forbo lino top with edge band <input type="checkbox"/>	+\$1696
<b>J86</b>	4186 Orange Blast forbo lino top with edge band <input type="checkbox"/>	+\$1696

# Morse 31.5" Deep Work Table Configuration

NOMSA



## Product Information

### Description

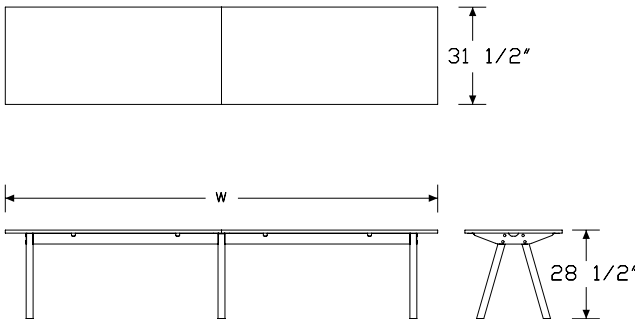
This table has a laser cut and folded mild steel underframe, finished with polyester powder coat. Legs come in either powder coated mild steel, or solid wood finished in a clear lacquer. Tops are available in a variety of materials and finishes. Fixed height legs provide 3/4" of leveling adjustment. Product is delivered unassembled.

### Notes

When specified with a cable managed leg, a standard leg is replaced with a version that has an aperture to guide a cable from table top to floor. Cable managed leg can be used in any leg position.

Dimensional illustration does not contain all configurations.

## Dimensions



## Specification Information

### Step 1.

**NOMSAG3** [A]

### Step 2. Type

<b>28</b>	rectangular table - 2800w x 800d - 6 leg	[A]	+\$6192
<b>36</b>	rectangular table - 3600w x 800d - 6 leg	[A]	+\$6880
<b>40</b>	rectangular table - 4000w x 800d - 8 leg	[A]	+\$8944
<b>44</b>	rectangular table - 4400w x 800d - 6 leg	[A]	+\$7568
<b>48</b>	rectangular table - 4800w x 800d - 8 leg	[A]	+\$9631
<b>56</b>	rectangular table - 5600w x 800d - 8 leg	[A]	+\$10320
<b>64</b>	rectangular table - 6400w x 800d - 8 leg	[A]	+\$11007

### Step 3. Cable Management

For rectangular table - 2800w x 800d - 6 leg (28), rectangular table - 3600w x 800d - 6 leg (36), or rectangular table - 4400w x 800d - 6 leg (44)

<b>A</b>	no dot power port, no cable management	[A]	+\$0
<b>X</b>	no dot power port, comes with cable managed leg	[A]	+\$295

For rectangular table - 4000w x 800d - 8 leg (40), rectangular table - 4800w x 800d - 8 leg (48), rectangular table - 5600w x 800d - 8 leg (56), or rectangular table - 6400w x 800d - 8 leg (64)

<b>A</b>	no dot power port, no cable management	[A]	+\$0
<b>X</b>	no dot power port, comes with cable managed leg	[A]	+\$590

### Step 4. Leg Material

<b>W</b>	wood	[A]	+\$0
<b>S</b>	steel	[A]	+\$0

### Step 5. Leg Finish

For rectangular table - 2800w x 800d - 6 leg (28), rectangular table - 3600w x 800d - 6 leg (36), or rectangular table - 4400w x 800d - 6 leg (44) with wood (W)

<b>OAK</b>	oak	[A]	+\$454
------------	-----	-----	--------

# Morse 31.5" Deep Work Table Configuration *continued*

*For rectangular table - 2800w x 800d - 6 leg (28), rectangular table - 3600w x 800d - 6 leg (36), or rectangular table - 4400w x 800d - 6 leg (44) with steel*

(S)		
R00	black RAL 9005 <input type="checkbox"/>	+\$0
R14	signal white RAL9003 <input type="checkbox"/>	+\$0
R02	stone grey RAL 7030 <input type="checkbox"/>	+\$454
R03	silver - RAL 9006 <input type="checkbox"/>	+\$454
R08	traffic orange RAL 2009 <input type="checkbox"/>	+\$454
R13	pastel blue RAL 5024 <input type="checkbox"/>	+\$454
R23	black grey RAL 7021 <input type="checkbox"/>	+\$454
R24	leaf green RAL 6002 <input type="checkbox"/>	+\$454
R25	pale green RAL 6021 <input type="checkbox"/>	+\$454
R26	RAL 3020 red <input type="checkbox"/>	+\$454
R28	light pink RAL 3015 <input type="checkbox"/>	+\$454
R29	dark blue RAL 5001 <input type="checkbox"/>	+\$454
R30	oyster RAL 1013 <input type="checkbox"/>	+\$454
R38	broom yellow RAL 1032 <input type="checkbox"/>	+\$454
R39	moss green RAL 6005 <input type="checkbox"/>	+\$454
R40	steel blue RAL 5011 <input type="checkbox"/>	+\$454

*For rectangular table - 4000w x 800d - 8 leg (40), rectangular table - 4800w x 800d - 8 leg (48), rectangular table - 5600w x 800d - 8 leg (56), or rectangular table - 6400w x 800d - 8 leg (64) with wood (W)*

OAK	oak <input type="checkbox"/>	+\$605
-----	------------------------------	--------

*For rectangular table - 4000w x 800d - 8 leg (40), rectangular table - 4800w x 800d - 8 leg (48), rectangular table - 5600w x 800d - 8 leg (56), or rectangular table - 6400w x 800d - 8 leg (64) with steel (S)*

R00	black RAL 9005 <input type="checkbox"/>	+\$0
R14	signal white RAL9003 <input type="checkbox"/>	+\$0
R02	stone grey RAL 7030 <input type="checkbox"/>	+\$605
R03	silver - RAL 9006 <input type="checkbox"/>	+\$605
R08	traffic orange RAL 2009 <input type="checkbox"/>	+\$605
R13	pastel blue RAL 5024 <input type="checkbox"/>	+\$605
R23	black grey RAL 7021 <input type="checkbox"/>	+\$605
R24	leaf green RAL 6002 <input type="checkbox"/>	+\$605
R25	pale green RAL 6021 <input type="checkbox"/>	+\$605
R26	RAL 3020 red <input type="checkbox"/>	+\$605
R28	light pink RAL 3015 <input type="checkbox"/>	+\$605
R29	dark blue RAL 5001 <input type="checkbox"/>	+\$605
R30	oyster RAL 1013 <input type="checkbox"/>	+\$605
R38	broom yellow RAL 1032 <input type="checkbox"/>	+\$605
R39	moss green RAL 6005 <input type="checkbox"/>	+\$605
R40	steel blue RAL 5011 <input type="checkbox"/>	+\$605

## Step 6. Under-Frame Finish

*For rectangular table - 2800w x 800d - 6 leg (28), rectangular table - 3600w x 800d - 6 leg (36), or rectangular table - 4400w x 800d - 6 leg (44)*

R00	black RAL 9005 <input type="checkbox"/>	+\$0
R14	signal white RAL9003 <input type="checkbox"/>	+\$0
R02	stone grey RAL 7030 <input type="checkbox"/>	+\$832
R03	silver - RAL 9006 <input type="checkbox"/>	+\$832
R08	traffic orange RAL 2009 <input type="checkbox"/>	+\$832
R13	pastel blue RAL 5024 <input type="checkbox"/>	+\$832
R23	black grey RAL 7021 <input type="checkbox"/>	+\$832
R24	leaf green RAL 6002 <input type="checkbox"/>	+\$832
R25	pale green RAL 6021 <input type="checkbox"/>	+\$832
R26	RAL 3020 red <input type="checkbox"/>	+\$832
R28	light pink RAL 3015 <input type="checkbox"/>	+\$832
R29	dark blue RAL 5001 <input type="checkbox"/>	+\$832
R30	oyster RAL 1013 <input type="checkbox"/>	+\$832
R38	broom yellow RAL 1032 <input type="checkbox"/>	+\$832
R39	moss green RAL 6005 <input type="checkbox"/>	+\$832
R40	steel blue RAL 5011 <input type="checkbox"/>	+\$832

*For rectangular table - 4000w x 800d - 8 leg (40), rectangular table - 4800w x 800d - 8 leg (48), rectangular table - 5600w x 800d - 8 leg (56), or rectangular table - 6400w x 800d - 8 leg (64)*

R00	black RAL 9005 <input type="checkbox"/>	+\$0
R14	signal white RAL9003 <input type="checkbox"/>	+\$0
R02	stone grey RAL 7030 <input type="checkbox"/>	+\$1210
R03	silver - RAL 9006 <input type="checkbox"/>	+\$1210
R08	traffic orange RAL 2009 <input type="checkbox"/>	+\$1210
R13	pastel blue RAL 5024 <input type="checkbox"/>	+\$1210
R23	black grey RAL 7021 <input type="checkbox"/>	+\$1210
R24	leaf green RAL 6002 <input type="checkbox"/>	+\$1210
R25	pale green RAL 6021 <input type="checkbox"/>	+\$1210
R26	RAL 3020 red <input type="checkbox"/>	+\$1210
R28	light pink RAL 3015 <input type="checkbox"/>	+\$1210
R29	dark blue RAL 5001 <input type="checkbox"/>	+\$1210
R30	oyster RAL 1013 <input type="checkbox"/>	+\$1210
R38	broom yellow RAL 1032 <input type="checkbox"/>	+\$1210
R39	moss green RAL 6005 <input type="checkbox"/>	+\$1210
R40	steel blue RAL 5011 <input type="checkbox"/>	+\$1210



# Morse 31.5" Deep Work Table Configuration *continued*

## Step 7. Surface Finish

### For rectangular table - 2800w x 800d - 6 leg (28)

<b>BSE</b>	black MFMDf top with edge band <input type="checkbox"/>	+\$0
<b>WSE</b>	white MFMDf top with edge band <input type="checkbox"/>	+\$0
<b>OKE</b>	oak veneer top with edge band <input type="checkbox"/>	+\$1890
<b>J23</b>	4023 Nero forbo lino top with edge band <input type="checkbox"/>	+\$2169
<b>J32</b>	4132 Ash forbo lino top with edge band <input type="checkbox"/>	+\$2169
<b>J55</b>	4155 Pewter forbo lino top with edge band <input type="checkbox"/>	+\$2169
<b>J57</b>	4157 Pearl forbo lino top with edge band <input type="checkbox"/>	+\$2169
<b>J64</b>	4164 Salsa forbo lino top with edge band <input type="checkbox"/>	+\$2169
<b>J66</b>	4166 Charcoal forbo lino top with edge band <input type="checkbox"/>	+\$2169
<b>J72</b>	4172 Mauve forbo lino top with edge band <input type="checkbox"/>	+\$2169
<b>J74</b>	4174 Conifer forbo lino top with edge band <input type="checkbox"/>	+\$2169
<b>J75</b>	4175 Pebble forbo lino top with edge band <input type="checkbox"/>	+\$2169
<b>J76</b>	4176 Mushroom forbo lino top with edge band <input type="checkbox"/>	+\$2169
<b>J77</b>	4177 Vapour forbo lino top with edge band <input type="checkbox"/>	+\$2169
<b>J78</b>	4178 Iron forbo lino top with edge band <input type="checkbox"/>	+\$2169
<b>J79</b>	4179 Smokey Blue forbo lino top with edge band <input type="checkbox"/>	+\$2169
<b>J80</b>	4180 Aquavert forbo lino top with edge band <input type="checkbox"/>	+\$2169
<b>J81</b>	4181 Midnight Blue forbo lino top with edge band <input type="checkbox"/>	+\$2169
<b>J82</b>	4182 Spring Green forbo lino top with edge band <input type="checkbox"/>	+\$2169
<b>J83</b>	4183 Pistachio forbo lino top with edge band <input type="checkbox"/>	+\$2169
<b>J84</b>	4184 Olive forbo lino top with edge band <input type="checkbox"/>	+\$2169
<b>J85</b>	4185 Powder forbo lino top with edge band <input type="checkbox"/>	+\$2169
<b>J86</b>	4186 Orange Blast forbo lino top with edge band <input type="checkbox"/>	+\$2169

### For rectangular table - 3600w x 800d - 6 leg (36)

<b>BSE</b>	black MFMDf top with edge band <input type="checkbox"/>	+\$0
<b>WSE</b>	white MFMDf top with edge band <input type="checkbox"/>	+\$0
<b>OKE</b>	oak veneer top with edge band <input type="checkbox"/>	+\$2211
<b>J23</b>	4023 Nero forbo lino top with edge band <input type="checkbox"/>	+\$2374
<b>J32</b>	4132 Ash forbo lino top with edge band <input type="checkbox"/>	+\$2374
<b>J55</b>	4155 Pewter forbo lino top with edge band <input type="checkbox"/>	+\$2374
<b>J57</b>	4157 Pearl forbo lino top with edge band <input type="checkbox"/>	+\$2374
<b>J64</b>	4164 Salsa forbo lino top with edge band <input type="checkbox"/>	+\$2374
<b>J66</b>	4166 Charcoal forbo lino top with edge band <input type="checkbox"/>	+\$2374
<b>J72</b>	4172 Mauve forbo lino top with edge band <input type="checkbox"/>	+\$2374
<b>J74</b>	4174 Conifer forbo lino top with edge band <input type="checkbox"/>	+\$2374
<b>J75</b>	4175 Pebble forbo lino top with edge band <input type="checkbox"/>	+\$2374
<b>J76</b>	4176 Mushroom forbo lino top with edge band <input type="checkbox"/>	+\$2374
<b>J77</b>	4177 Vapour forbo lino top with edge band <input type="checkbox"/>	+\$2374
<b>J78</b>	4178 Iron forbo lino top with edge band <input type="checkbox"/>	+\$2374
<b>J79</b>	4179 Smokey Blue forbo lino top with edge band <input type="checkbox"/>	+\$2374
<b>J80</b>	4180 Aquavert forbo lino top with edge band <input type="checkbox"/>	+\$2374
<b>J81</b>	4181 Midnight Blue forbo lino top with edge band <input type="checkbox"/>	+\$2374
<b>J82</b>	4182 Spring Green forbo lino top with edge band <input type="checkbox"/>	+\$2374
<b>J83</b>	4183 Pistachio forbo lino top with edge band <input type="checkbox"/>	+\$2374
<b>J84</b>	4184 Olive forbo lino top with edge band <input type="checkbox"/>	+\$2374
<b>J85</b>	4185 Powder forbo lino top with edge band <input type="checkbox"/>	+\$2374
<b>J86</b>	4186 Orange Blast forbo lino top with edge band <input type="checkbox"/>	+\$2374

Morse 31.5" Deep Work Table  
Configuration *continued*

NaughtOne® Meeting Tables

*For rectangular table - 4000w x 800d - 8 leg (40)*

<b>BSE</b>	black MFMDF top with edge band <input type="checkbox"/> A	+\$0
<b>WSE</b>	white MFMDF top with edge band <input type="checkbox"/> A	+\$0
<b>OKE</b>	oak veneer top with edge band <input type="checkbox"/> A	+\$2570
<b>J23</b>	4023 Nero forbo lino top with edge band <input type="checkbox"/> A	+\$3088
<b>J32</b>	4132 Ash forbo lino top with edge band <input type="checkbox"/> A	+\$3088
<b>J55</b>	4155 Pewter forbo lino top with edge band <input type="checkbox"/> A	+\$3088
<b>J57</b>	4157 Pearl forbo lino top with edge band <input type="checkbox"/> A	+\$3088
<b>J64</b>	4164 Salsa forbo lino top with edge band <input type="checkbox"/> A	+\$3088
<b>J66</b>	4166 Charcoal forbo lino top with edge band <input type="checkbox"/> A	+\$3088
<b>J72</b>	4172 Mauve forbo lino top with edge band <input type="checkbox"/> A	+\$3088
<b>J74</b>	4174 Conifer forbo lino top with edge band <input type="checkbox"/> A	+\$3088
<b>J75</b>	4175 Pebble forbo lino top with edge band <input type="checkbox"/> A	+\$3088
<b>J76</b>	4176 Mushroom forbo lino top with edge band <input type="checkbox"/> A	+\$3088
<b>J77</b>	4177 Vapour forbo lino top with edge band <input type="checkbox"/> A	+\$3088
<b>J78</b>	4178 Iron forbo lino top with edge band <input type="checkbox"/> A	+\$3088
<b>J79</b>	4179 Smokey Blue forbo lino top with edge band <input type="checkbox"/> A	+\$3088
<b>J80</b>	4180 Aquavert forbo lino top with edge band <input type="checkbox"/> A	+\$3088
<b>J81</b>	4181 Midnight Blue forbo lino top with edge band <input type="checkbox"/> A	+\$3088
<b>J82</b>	4182 Spring Green forbo lino top with edge band <input type="checkbox"/> A	+\$3088
<b>J83</b>	4183 Pistachio forbo lino top with edge band <input type="checkbox"/> A	+\$3088
<b>J84</b>	4184 Olive forbo lino top with edge band <input type="checkbox"/> A	+\$3088
<b>J85</b>	4185 Powder forbo lino top with edge band <input type="checkbox"/> A	+\$3088
<b>J86</b>	4186 Orange Blast forbo lino top with edge band <input type="checkbox"/> A	+\$3088

*For rectangular table - 4400w x 800d - 6 leg (44)*

<b>BSE</b>	black MFMDF top with edge band <input type="checkbox"/> A	+\$0
<b>WSE</b>	white MFMDF top with edge band <input type="checkbox"/> A	+\$0
<b>OKE</b>	oak veneer top with edge band <input type="checkbox"/> A	+\$2524
<b>J23</b>	4023 Nero forbo lino top with edge band <input type="checkbox"/> A	+\$2570
<b>J32</b>	4132 Ash forbo lino top with edge band <input type="checkbox"/> A	+\$2570
<b>J55</b>	4155 Pewter forbo lino top with edge band <input type="checkbox"/> A	+\$2570
<b>J57</b>	4157 Pearl forbo lino top with edge band <input type="checkbox"/> A	+\$2570
<b>J64</b>	4164 Salsa forbo lino top with edge band <input type="checkbox"/> A	+\$2570
<b>J66</b>	4166 Charcoal forbo lino top with edge band <input type="checkbox"/> A	+\$2570
<b>J72</b>	4172 Mauve forbo lino top with edge band <input type="checkbox"/> A	+\$2570
<b>J74</b>	4174 Conifer forbo lino top with edge band <input type="checkbox"/> A	+\$2570
<b>J75</b>	4175 Pebble forbo lino top with edge band <input type="checkbox"/> A	+\$2570
<b>J76</b>	4176 Mushroom forbo lino top with edge band <input type="checkbox"/> A	+\$2570
<b>J77</b>	4177 Vapour forbo lino top with edge band <input type="checkbox"/> A	+\$2570
<b>J78</b>	4178 Iron forbo lino top with edge band <input type="checkbox"/> A	+\$2570
<b>J79</b>	4179 Smokey Blue forbo lino top with edge band <input type="checkbox"/> A	+\$2570
<b>J80</b>	4180 Aquavert forbo lino top with edge band <input type="checkbox"/> A	+\$2570
<b>J81</b>	4181 Midnight Blue forbo lino top with edge band <input type="checkbox"/> A	+\$2570
<b>J82</b>	4182 Spring Green forbo lino top with edge band <input type="checkbox"/> A	+\$2570
<b>J83</b>	4183 Pistachio forbo lino top with edge band <input type="checkbox"/> A	+\$2570
<b>J84</b>	4184 Olive forbo lino top with edge band <input type="checkbox"/> A	+\$2570
<b>J85</b>	4185 Powder forbo lino top with edge band <input type="checkbox"/> A	+\$2570
<b>J86</b>	4186 Orange Blast forbo lino top with edge band <input type="checkbox"/> A	+\$2570

# Morse 31.5" Deep Work Table Configuration *continued*

## For rectangular table - 4800w x 800d - 8 leg (48)

<b>BSE</b>	black MFMDf top with edge band <input type="checkbox"/>	+\$0
<b>WSE</b>	white MFMDf top with edge band <input type="checkbox"/>	+\$0
<b>OKE</b>	oak veneer top with edge band <input type="checkbox"/>	+\$3156
<b>J23</b>	4023 Nero forbo lino top with edge band <input type="checkbox"/>	+\$3294
<b>J32</b>	4132 Ash forbo lino top with edge band <input type="checkbox"/>	+\$3294
<b>J55</b>	4155 Pewter forbo lino top with edge band <input type="checkbox"/>	+\$3294
<b>J57</b>	4157 Pearl forbo lino top with edge band <input type="checkbox"/>	+\$3294
<b>J64</b>	4164 Salsa forbo lino top with edge band <input type="checkbox"/>	+\$3294
<b>J66</b>	4166 Charcoal forbo lino top with edge band <input type="checkbox"/>	+\$3294
<b>J72</b>	4172 Mauve forbo lino top with edge band <input type="checkbox"/>	+\$3294
<b>J74</b>	4174 Conifer forbo lino top with edge band <input type="checkbox"/>	+\$3294
<b>J75</b>	4175 Pebble forbo lino top with edge band <input type="checkbox"/>	+\$3294
<b>J76</b>	4176 Mushroom forbo lino top with edge band <input type="checkbox"/>	+\$3294
<b>J77</b>	4177 Vapour forbo lino top with edge band <input type="checkbox"/>	+\$3294
<b>J78</b>	4178 Iron forbo lino top with edge band <input type="checkbox"/>	+\$3294
<b>J79</b>	4179 Smokey Blue forbo lino top with edge band <input type="checkbox"/>	+\$3294
<b>J80</b>	4180 Aquavert forbo lino top with edge band <input type="checkbox"/>	+\$3294
<b>J81</b>	4181 Midnight Blue forbo lino top with edge band <input type="checkbox"/>	+\$3294
<b>J82</b>	4182 Spring Green forbo lino top with edge band <input type="checkbox"/>	+\$3294
<b>J83</b>	4183 Pistachio forbo lino top with edge band <input type="checkbox"/>	+\$3294
<b>J84</b>	4184 Olive forbo lino top with edge band <input type="checkbox"/>	+\$3294
<b>J85</b>	4185 Powder forbo lino top with edge band <input type="checkbox"/>	+\$3294
<b>J86</b>	4186 Orange Blast forbo lino top with edge band <input type="checkbox"/>	+\$3294

## For rectangular table - 5600w x 800d - 8 leg (56)

<b>BSE</b>	black MFMDf top with edge band <input type="checkbox"/>	+\$0
<b>WSE</b>	white MFMDf top with edge band <input type="checkbox"/>	+\$0
<b>OKE</b>	oak veneer top with edge band <input type="checkbox"/>	+\$3326
<b>J23</b>	4023 Nero forbo lino top with edge band <input type="checkbox"/>	+\$3651
<b>J32</b>	4132 Ash forbo lino top with edge band <input type="checkbox"/>	+\$3651
<b>J55</b>	4155 Pewter forbo lino top with edge band <input type="checkbox"/>	+\$3651
<b>J57</b>	4157 Pearl forbo lino top with edge band <input type="checkbox"/>	+\$3651
<b>J64</b>	4164 Salsa forbo lino top with edge band <input type="checkbox"/>	+\$3651
<b>J66</b>	4166 Charcoal forbo lino top with edge band <input type="checkbox"/>	+\$3651
<b>J72</b>	4172 Mauve forbo lino top with edge band <input type="checkbox"/>	+\$3651
<b>J74</b>	4174 Conifer forbo lino top with edge band <input type="checkbox"/>	+\$3651
<b>J75</b>	4175 Pebble forbo lino top with edge band <input type="checkbox"/>	+\$3651
<b>J76</b>	4176 Mushroom forbo lino top with edge band <input type="checkbox"/>	+\$3651
<b>J77</b>	4177 Vapour forbo lino top with edge band <input type="checkbox"/>	+\$3651
<b>J78</b>	4178 Iron forbo lino top with edge band <input type="checkbox"/>	+\$3651
<b>J79</b>	4179 Smokey Blue forbo lino top with edge band <input type="checkbox"/>	+\$3651
<b>J80</b>	4180 Aquavert forbo lino top with edge band <input type="checkbox"/>	+\$3651
<b>J81</b>	4181 Midnight Blue forbo lino top with edge band <input type="checkbox"/>	+\$3651
<b>J82</b>	4182 Spring Green forbo lino top with edge band <input type="checkbox"/>	+\$3651
<b>J83</b>	4183 Pistachio forbo lino top with edge band <input type="checkbox"/>	+\$3651
<b>J84</b>	4184 Olive forbo lino top with edge band <input type="checkbox"/>	+\$3651
<b>J85</b>	4185 Powder forbo lino top with edge band <input type="checkbox"/>	+\$3651
<b>J86</b>	4186 Orange Blast forbo lino top with edge band <input type="checkbox"/>	+\$3651

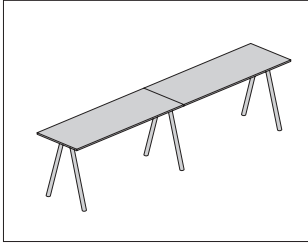
Morse 31.5" Deep Work Table  
 Configuration *continued*

NaughtOne® Meeting Tables

*For rectangular table - 6400w x 800d - 8 leg (64)*

<b>BSE</b>	black MFMDf top with edge band	A	+\$0
<b>WSE</b>	white MFMDf top with edge band	A	+\$0
<b>OKE</b>	oak veneer top with edge band	A	+\$3790
<b>J23</b>	4023 Nero forbo lino top with edge band	A	+\$3695
<b>J32</b>	4132 Ash forbo lino top with edge band	A	+\$3695
<b>J55</b>	4155 Pewter forbo lino top with edge band	A	+\$3695
<b>J57</b>	4157 Pearl forbo lino top with edge band	A	+\$3695
<b>J64</b>	4164 Salsa forbo lino top with edge band	A	+\$3695
<b>J66</b>	4166 Charcoal forbo lino top with edge band	A	+\$3695
<b>J72</b>	4172 Mauve forbo lino top with edge band	A	+\$3695
<b>J74</b>	4174 Conifer forbo lino top with edge band	A	+\$3695
<b>J75</b>	4175 Pebble forbo lino top with edge band	A	+\$3695
<b>J76</b>	4176 Mushroom forbo lino top with edge band	A	+\$3695
<b>J77</b>	4177 Vapour forbo lino top with edge band	A	+\$3695
<b>J78</b>	4178 Iron forbo lino top with edge band	A	+\$3695
<b>J79</b>	4179 Smokey Blue forbo lino top with edge band	A	+\$3695
<b>J80</b>	4180 Aquavert forbo lino top with edge band	A	+\$3695
<b>J81</b>	4181 Midnight Blue forbo lino top with edge band	A	+\$3695
<b>J82</b>	4182 Spring Green forbo lino top with edge band	A	+\$3695
<b>J83</b>	4183 Pistachio forbo lino top with edge band	A	+\$3695
<b>J84</b>	4184 Olive forbo lino top with edge band	A	+\$3695
<b>J85</b>	4185 Powder forbo lino top with edge band	A	+\$3695
<b>J86</b>	4186 Orange Blast forbo lino top with edge band	A	+\$3695

Morse Bar Height 31.5" Deep Work Table Configuration NOMSA



**Product Information**

**Description**

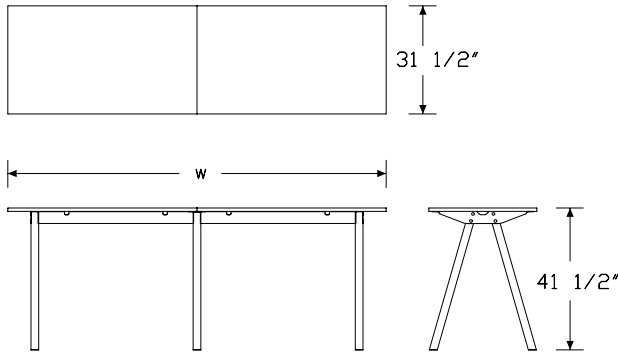
This table has a laser cut and folded mild steel underframe, finished with polyester powder coat. Legs come in either powder coated mild steel, or solid wood finished in a clear lacquer. Tops are available in a variety of materials and finishes. Fixed height legs provide 3/4" of leveling adjustment. Product is delivered unassembled.

**Notes**

When specified with a cable managed leg, a standard leg is replaced with a version that has an aperture to guide a cable from table top to floor. Cable managed leg can be used in any leg position.

Dimensional illustration does not contain all configurations.

**Dimensions**



**Specification Information**

**Step 1.**

**NOMSAG5** [A]

**Step 2. Type**

<b>28</b>	bar height rectangular table - 2800w x 800d - 6 leg	[A]	+\$6490
<b>36</b>	bar height rectangular table - 3600w x 800d - 6 leg	[A]	+\$7177
<b>40</b>	bar height rectangular table - 4000w x 800d - 8 leg	[A]	+\$9340
<b>44</b>	bar height rectangular table - 4400w x 800d - 6 leg	[A]	+\$7866
<b>48</b>	bar height rectangular table - 4800w x 800d - 8 leg	[A]	+\$10028
<b>56</b>	bar height rectangular table - 5600w x 800d - 8 leg	[A]	+\$10716
<b>64</b>	bar height rectangular table - 6400w x 800d - 8 leg	[A]	+\$11405

**Step 3. Cable Management**

For bar height rectangular table - 2800w x 800d - 6 leg (28), bar height rectangular table - 3600w x 800d - 6 leg (36), or bar height rectangular table - 4400w x 800d - 6 leg (44)

<b>A</b>	no dot power port, no cable management	[A]	+\$0
<b>X</b>	no dot power port, comes with cable managed leg	[A]	+\$295

For bar height rectangular table - 4000w x 800d - 8 leg (40), bar height rectangular table - 4800w x 800d - 8 leg (48), bar height rectangular table - 5600w x 800d - 8 leg (56), or bar height rectangular table - 6400w x 800d - 8 leg (64)

<b>A</b>	no dot power port, no cable management	[A]	+\$0
<b>X</b>	no power grommet, comes with cable tray and cable managed leg	[A]	+\$590

**Step 4. Leg Material**

<b>W</b>	wood	[A]	+\$0
<b>S</b>	steel	[A]	+\$0

**Step 5. Leg Finish**

For bar height rectangular table - 2800w x 800d - 6 leg (28), bar height rectangular table - 3600w x 800d - 6 leg (36), or bar height rectangular table - 4400w x 800d - 6 leg (44) with wood (W)

<b>OAK</b>	oak	[A]	+\$454
------------	-----	-----	--------

# Morse Bar Height 31.5" Deep Work Table Configuration *continued*

For bar height rectangular table - 2800w x 800d - 6 leg (28), bar height rectangular table - 3600w x 800d - 6 leg (36), or bar height rectangular table - 4400w x 800d - 6 leg (44) with steel (S)

R00	black RAL 9005	A	+\$0
R14	signal white RAL9003	A	+\$0
R02	stone grey RAL 7030	A	+\$454
R03	silver - RAL 9006	A	+\$454
R08	traffic orange RAL 2009	A	+\$454
R13	pastel blue RAL 5024	A	+\$454
R23	black grey RAL 7021	A	+\$454
R24	leaf green RAL 6002	A	+\$454
R25	pale green RAL 6021	A	+\$454
R26	RAL 3020 red	A	+\$454
R28	light pink RAL 3015	A	+\$454
R29	dark blue RAL 5001	A	+\$454
R30	oyster RAL 1013	A	+\$454
R38	broom yellow RAL 1032	A	+\$454
R39	moss green RAL 6005	A	+\$454
R40	steel blue RAL 5011	A	+\$454

For bar height rectangular table - 4000w x 800d - 8 leg (40), bar height rectangular table - 4800w x 800d - 8 leg (48), bar height rectangular table - 5600w x 800d - 8 leg (56), or bar height rectangular table - 6400w x 800d - 8 leg (64) with wood (W)

OAK	oak	A	+\$605
-----	-----	---	--------

For bar height rectangular table - 4000w x 800d - 8 leg (40), bar height rectangular table - 4800w x 800d - 8 leg (48), bar height rectangular table - 5600w x 800d - 8 leg (56), or bar height rectangular table - 6400w x 800d - 8 leg (64) with steel (S)

R00	black RAL 9005	A	+\$0
R14	signal white RAL9003	A	+\$0
R02	stone grey RAL 7030	A	+\$605
R03	silver - RAL 9006	A	+\$605
R08	traffic orange RAL 2009	A	+\$605
R13	pastel blue RAL 5024	A	+\$605
R23	black grey RAL 7021	A	+\$605
R24	leaf green RAL 6002	A	+\$605
R25	pale green RAL 6021	A	+\$605
R26	RAL 3020 red	A	+\$605
R28	light pink RAL 3015	A	+\$605
R29	dark blue RAL 5001	A	+\$605
R30	oyster RAL 1013	A	+\$605
R38	broom yellow RAL 1032	A	+\$605
R39	moss green RAL 6005	A	+\$605
R40	steel blue RAL 5011	A	+\$605

## Step 6. Under-Frame Finish

For bar height rectangular table - 2800w x 800d - 6 leg (28), bar height rectangular table - 3600w x 800d - 6 leg (36), or bar height rectangular table - 4400w x 800d - 6 leg (44)

R00	black RAL 9005	A	+\$0
R14	signal white RAL9003	A	+\$0
R02	stone grey RAL 7030	A	+\$832
R03	silver - RAL 9006	A	+\$832
R08	traffic orange RAL 2009	A	+\$832
R13	pastel blue RAL 5024	A	+\$832
R23	black grey RAL 7021	A	+\$832
R24	leaf green RAL 6002	A	+\$832
R25	pale green RAL 6021	A	+\$832
R26	RAL 3020 red	A	+\$832
R28	light pink RAL 3015	A	+\$832
R29	dark blue RAL 5001	A	+\$832
R30	oyster RAL 1013	A	+\$832
R38	broom yellow RAL 1032	A	+\$832
R39	moss green RAL 6005	A	+\$832
R40	steel blue RAL 5011	A	+\$832

For bar height rectangular table - 4000w x 800d - 8 leg (40), bar height rectangular table - 4800w x 800d - 8 leg (48), bar height rectangular table - 5600w x 800d - 8 leg (56), or bar height rectangular table - 6400w x 800d - 8 leg (64)

R00	black RAL 9005	A	+\$0
R14	signal white RAL9003	A	+\$0
R02	stone grey RAL 7030	A	+\$1210
R03	silver - RAL 9006	A	+\$1210
R08	traffic orange RAL 2009	A	+\$1210
R13	pastel blue RAL 5024	A	+\$1210
R23	black grey RAL 7021	A	+\$1210
R24	leaf green RAL 6002	A	+\$1210
R25	pale green RAL 6021	A	+\$1210
R26	RAL 3020 red	A	+\$1210
R28	light pink RAL 3015	A	+\$1210
R29	dark blue RAL 5001	A	+\$1210
R30	oyster RAL 1013	A	+\$1210
R38	broom yellow RAL 1032	A	+\$1210
R39	moss green RAL 6005	A	+\$1210
R40	steel blue RAL 5011	A	+\$1210

# Morse Bar Height 31.5" Deep Work Table Configuration *continued*

## Step 7. Surface Finish

### For bar height rectangular table - 2800w x 800d - 6 leg (28)

<b>BSE</b>	black MFMDf top with edge band <input type="checkbox"/>	+\$0
<b>WSE</b>	white MFMDf top with edge band <input type="checkbox"/>	+\$0
<b>OKE</b>	oak veneer top with edge band <input type="checkbox"/>	+\$1890
<b>J23</b>	4023 Nero forbo lino top with edge band <input type="checkbox"/>	+\$2169
<b>J32</b>	4132 Ash forbo lino top with edge band <input type="checkbox"/>	+\$2169
<b>J55</b>	4155 Pewter forbo lino top with edge band <input type="checkbox"/>	+\$2169
<b>J57</b>	4157 Pearl forbo lino top with edge band <input type="checkbox"/>	+\$2169
<b>J64</b>	4164 Salsa forbo lino top with edge band <input type="checkbox"/>	+\$2169
<b>J66</b>	4166 Charcoal forbo lino top with edge band <input type="checkbox"/>	+\$2169
<b>J72</b>	4172 Mauve forbo lino top with edge band <input type="checkbox"/>	+\$2169
<b>J74</b>	4174 Conifer forbo lino top with edge band <input type="checkbox"/>	+\$2169
<b>J75</b>	4175 Pebble forbo lino top with edge band <input type="checkbox"/>	+\$2169
<b>J76</b>	4176 Mushroom forbo lino top with edge band <input type="checkbox"/>	+\$2169
<b>J77</b>	4177 Vapour forbo lino top with edge band <input type="checkbox"/>	+\$2169
<b>J78</b>	4178 Iron forbo lino top with edge band <input type="checkbox"/>	+\$2169
<b>J79</b>	4179 Smokey Blue forbo lino top with edge band <input type="checkbox"/>	+\$2169
<b>J80</b>	4180 Aquavert forbo lino top with edge band <input type="checkbox"/>	+\$2169
<b>J81</b>	4181 Midnight Blue forbo lino top with edge band <input type="checkbox"/>	+\$2169
<b>J82</b>	4182 Spring Green forbo lino top with edge band <input type="checkbox"/>	+\$2169
<b>J83</b>	4183 Pistachio forbo lino top with edge band <input type="checkbox"/>	+\$2169
<b>J84</b>	4184 Olive forbo lino top with edge band <input type="checkbox"/>	+\$2169
<b>J85</b>	4185 Powder forbo lino top with edge band <input type="checkbox"/>	+\$2169
<b>J86</b>	4186 Orange Blast forbo lino top with edge band <input type="checkbox"/>	+\$2169

### For bar height rectangular table - 3600w x 800d - 6 leg (36)

<b>BSE</b>	black MFMDf top with edge band <input type="checkbox"/>	+\$0
<b>WSE</b>	white MFMDf top with edge band <input type="checkbox"/>	+\$0
<b>OKE</b>	oak veneer top with edge band <input type="checkbox"/>	+\$2211
<b>J23</b>	4023 Nero forbo lino top with edge band <input type="checkbox"/>	+\$2374
<b>J32</b>	4132 Ash forbo lino top with edge band <input type="checkbox"/>	+\$2374
<b>J55</b>	4155 Pewter forbo lino top with edge band <input type="checkbox"/>	+\$2374
<b>J57</b>	4157 Pearl forbo lino top with edge band <input type="checkbox"/>	+\$2374
<b>J64</b>	4164 Salsa forbo lino top with edge band <input type="checkbox"/>	+\$2374
<b>J66</b>	4166 Charcoal forbo lino top with edge band <input type="checkbox"/>	+\$2374
<b>J72</b>	4172 Mauve forbo lino top with edge band <input type="checkbox"/>	+\$2374
<b>J74</b>	4174 Conifer forbo lino top with edge band <input type="checkbox"/>	+\$2374
<b>J75</b>	4175 Pebble forbo lino top with edge band <input type="checkbox"/>	+\$2374
<b>J76</b>	4176 Mushroom forbo lino top with edge band <input type="checkbox"/>	+\$2374
<b>J77</b>	4177 Vapour forbo lino top with edge band <input type="checkbox"/>	+\$2374
<b>J78</b>	4178 Iron forbo lino top with edge band <input type="checkbox"/>	+\$2374
<b>J79</b>	4179 Smokey Blue forbo lino top with edge band <input type="checkbox"/>	+\$2374
<b>J80</b>	4180 Aquavert forbo lino top with edge band <input type="checkbox"/>	+\$2374
<b>J81</b>	4181 Midnight Blue forbo lino top with edge band <input type="checkbox"/>	+\$2374
<b>J82</b>	4182 Spring Green forbo lino top with edge band <input type="checkbox"/>	+\$2374
<b>J83</b>	4183 Pistachio forbo lino top with edge band <input type="checkbox"/>	+\$2374
<b>J84</b>	4184 Olive forbo lino top with edge band <input type="checkbox"/>	+\$2374
<b>J85</b>	4185 Powder forbo lino top with edge band <input type="checkbox"/>	+\$2374
<b>J86</b>	4186 Orange Blast forbo lino top with edge band <input type="checkbox"/>	+\$2374

Morse Bar Height 31.5" Deep Work  
Table Configuration *continued*

NaughtOne® Meeting Tables

*For bar height rectangular table - 4000w x 800d - 8 leg (40)*

<b>BSE</b>	black MFMDf top with edge band <input type="checkbox"/>	+\$0
<b>WSE</b>	white MFMDf top with edge band <input type="checkbox"/>	+\$0
<b>OKE</b>	oak veneer top with edge band <input type="checkbox"/>	+\$2570
<b>J23</b>	4023 Nero forbo lino top with edge band <input type="checkbox"/>	+\$3088
<b>J32</b>	4132 Ash forbo lino top with edge band <input type="checkbox"/>	+\$3088
<b>J55</b>	4155 Pewter forbo lino top with edge band <input type="checkbox"/>	+\$3088
<b>J57</b>	4157 Pearl forbo lino top with edge band <input type="checkbox"/>	+\$3088
<b>J64</b>	4164 Salsa forbo lino top with edge band <input type="checkbox"/>	+\$3088
<b>J66</b>	4166 Charcoal forbo lino top with edge band <input type="checkbox"/>	+\$3088
<b>J72</b>	4172 Mauve forbo lino top with edge band <input type="checkbox"/>	+\$3088
<b>J74</b>	4174 Conifer forbo lino top with edge band <input type="checkbox"/>	+\$3088
<b>J75</b>	4175 Pebble forbo lino top with edge band <input type="checkbox"/>	+\$3088
<b>J76</b>	4176 Mushroom forbo lino top with edge band <input type="checkbox"/>	+\$3088
<b>J77</b>	4177 Vapour forbo lino top with edge band <input type="checkbox"/>	+\$3088
<b>J78</b>	4178 Iron forbo lino top with edge band <input type="checkbox"/>	+\$3088
<b>J79</b>	4179 Smokey Blue forbo lino top with edge band <input type="checkbox"/>	+\$3088
<b>J80</b>	4180 Aquavert forbo lino top with edge band <input type="checkbox"/>	+\$3088
<b>J81</b>	4181 Midnight Blue forbo lino top with edge band <input type="checkbox"/>	+\$3088
<b>J82</b>	4182 Spring Green forbo lino top with edge band <input type="checkbox"/>	+\$3088
<b>J83</b>	4183 Pistachio forbo lino top with edge band <input type="checkbox"/>	+\$3088
<b>J84</b>	4184 Olive forbo lino top with edge band <input type="checkbox"/>	+\$3088
<b>J85</b>	4185 Powder forbo lino top with edge band <input type="checkbox"/>	+\$3088
<b>J86</b>	4186 Orange Blast forbo lino top with edge band <input type="checkbox"/>	+\$3088

*For bar height rectangular table - 4400w x 800d - 6 leg (44)*

<b>BSE</b>	black MFMDf top with edge band <input type="checkbox"/>	+\$0
<b>WSE</b>	white MFMDf top with edge band <input type="checkbox"/>	+\$0
<b>OKE</b>	oak veneer top with edge band <input type="checkbox"/>	+\$2524
<b>J23</b>	4023 Nero forbo lino top with edge band <input type="checkbox"/>	+\$2570
<b>J32</b>	4132 Ash forbo lino top with edge band <input type="checkbox"/>	+\$2570
<b>J55</b>	4155 Pewter forbo lino top with edge band <input type="checkbox"/>	+\$2570
<b>J57</b>	4157 Pearl forbo lino top with edge band <input type="checkbox"/>	+\$2570
<b>J64</b>	4164 Salsa forbo lino top with edge band <input type="checkbox"/>	+\$2570
<b>J66</b>	4166 Charcoal forbo lino top with edge band <input type="checkbox"/>	+\$2570
<b>J72</b>	4172 Mauve forbo lino top with edge band <input type="checkbox"/>	+\$2570
<b>J74</b>	4174 Conifer forbo lino top with edge band <input type="checkbox"/>	+\$2570
<b>J75</b>	4175 Pebble forbo lino top with edge band <input type="checkbox"/>	+\$2570
<b>J76</b>	4176 Mushroom forbo lino top with edge band <input type="checkbox"/>	+\$2570
<b>J77</b>	4177 Vapour forbo lino top with edge band <input type="checkbox"/>	+\$2570
<b>J78</b>	4178 Iron forbo lino top with edge band <input type="checkbox"/>	+\$2570
<b>J79</b>	4179 Smokey Blue forbo lino top with edge band <input type="checkbox"/>	+\$2570
<b>J80</b>	4180 Aquavert forbo lino top with edge band <input type="checkbox"/>	+\$2570
<b>J81</b>	4181 Midnight Blue forbo lino top with edge band <input type="checkbox"/>	+\$2570
<b>J82</b>	4182 Spring Green forbo lino top with edge band <input type="checkbox"/>	+\$2570
<b>J83</b>	4183 Pistachio forbo lino top with edge band <input type="checkbox"/>	+\$2570
<b>J84</b>	4184 Olive forbo lino top with edge band <input type="checkbox"/>	+\$2570
<b>J85</b>	4185 Powder forbo lino top with edge band <input type="checkbox"/>	+\$2570
<b>J86</b>	4186 Orange Blast forbo lino top with edge band <input type="checkbox"/>	+\$2570



Morse Bar Height 31.5" Deep Work  
Table Configuration *continued*

*For bar height rectangular table - 4800w x 800d - 8 leg (48)*

<b>BSE</b>	black MFMDf top with edge band <input type="checkbox"/>	+\$0
<b>WSE</b>	white MFMDf top with edge band <input type="checkbox"/>	+\$0
<b>OKE</b>	oak veneer top with edge band <input type="checkbox"/>	+\$3156
<b>J23</b>	4023 Nero forbo lino top with edge band <input type="checkbox"/>	+\$3294
<b>J32</b>	4132 Ash forbo lino top with edge band <input type="checkbox"/>	+\$3294
<b>J55</b>	4155 Pewter forbo lino top with edge band <input type="checkbox"/>	+\$3294
<b>J57</b>	4157 Pearl forbo lino top with edge band <input type="checkbox"/>	+\$3294
<b>J64</b>	4164 Salsa forbo lino top with edge band <input type="checkbox"/>	+\$3294
<b>J66</b>	4166 Charcoal forbo lino top with edge band <input type="checkbox"/>	+\$3294
<b>J72</b>	4172 Mauve forbo lino top with edge band <input type="checkbox"/>	+\$3294
<b>J74</b>	4174 Conifer forbo lino top with edge band <input type="checkbox"/>	+\$3294
<b>J75</b>	4175 Pebble forbo lino top with edge band <input type="checkbox"/>	+\$3294
<b>J76</b>	4176 Mushroom forbo lino top with edge band <input type="checkbox"/>	+\$3294
<b>J77</b>	4177 Vapour forbo lino top with edge band <input type="checkbox"/>	+\$3294
<b>J78</b>	4178 Iron forbo lino top with edge band <input type="checkbox"/>	+\$3294
<b>J79</b>	4179 Smokey Blue forbo lino top with edge band <input type="checkbox"/>	+\$3294
<b>J80</b>	4180 Aquavert forbo lino top with edge band <input type="checkbox"/>	+\$3294
<b>J81</b>	4181 Midnight Blue forbo lino top with edge band <input type="checkbox"/>	+\$3294
<b>J82</b>	4182 Spring Green forbo lino top with edge band <input type="checkbox"/>	+\$3294
<b>J83</b>	4183 Pistachio forbo lino top with edge band <input type="checkbox"/>	+\$3294
<b>J84</b>	4184 Olive forbo lino top with edge band <input type="checkbox"/>	+\$3294
<b>J85</b>	4185 Powder forbo lino top with edge band <input type="checkbox"/>	+\$3294
<b>J86</b>	4186 Orange Blast forbo lino top with edge band <input type="checkbox"/>	+\$3294

*For bar height rectangular table - 5600w x 800d - 8 leg (56)*

<b>BSE</b>	black MFMDf top with edge band <input type="checkbox"/>	+\$0
<b>WSE</b>	white MFMDf top with edge band <input type="checkbox"/>	+\$0
<b>OKE</b>	oak veneer top with edge band <input type="checkbox"/>	+\$3326
<b>J23</b>	4023 Nero forbo lino top with edge band <input type="checkbox"/>	+\$3651
<b>J32</b>	4132 Ash forbo lino top with edge band <input type="checkbox"/>	+\$3651
<b>J55</b>	4155 Pewter forbo lino top with edge band <input type="checkbox"/>	+\$3651
<b>J57</b>	4157 Pearl forbo lino top with edge band <input type="checkbox"/>	+\$3651
<b>J64</b>	4164 Salsa forbo lino top with edge band <input type="checkbox"/>	+\$3651
<b>J66</b>	4166 Charcoal forbo lino top with edge band <input type="checkbox"/>	+\$3651
<b>J72</b>	4172 Mauve forbo lino top with edge band <input type="checkbox"/>	+\$3651
<b>J74</b>	4174 Conifer forbo lino top with edge band <input type="checkbox"/>	+\$3651
<b>J75</b>	4175 Pebble forbo lino top with edge band <input type="checkbox"/>	+\$3651
<b>J76</b>	4176 Mushroom forbo lino top with edge band <input type="checkbox"/>	+\$3651
<b>J77</b>	4177 Vapour forbo lino top with edge band <input type="checkbox"/>	+\$3651
<b>J78</b>	4178 Iron forbo lino top with edge band <input type="checkbox"/>	+\$3651
<b>J79</b>	4179 Smokey Blue forbo lino top with edge band <input type="checkbox"/>	+\$3651
<b>J80</b>	4180 Aquavert forbo lino top with edge band <input type="checkbox"/>	+\$3651
<b>J81</b>	4181 Midnight Blue forbo lino top with edge band <input type="checkbox"/>	+\$3651
<b>J82</b>	4182 Spring Green forbo lino top with edge band <input type="checkbox"/>	+\$3651
<b>J83</b>	4183 Pistachio forbo lino top with edge band <input type="checkbox"/>	+\$3651
<b>J84</b>	4184 Olive forbo lino top with edge band <input type="checkbox"/>	+\$3651
<b>J85</b>	4185 Powder forbo lino top with edge band <input type="checkbox"/>	+\$3651
<b>J86</b>	4186 Orange Blast forbo lino top with edge band <input type="checkbox"/>	+\$3651

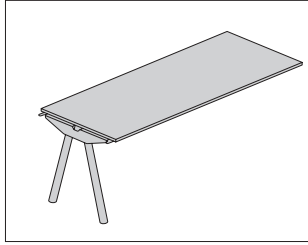
Morse Bar Height 31.5" Deep Work  
Table Configuration *continued*

NaughtOne® Meeting Tables

<i>For bar height rectangular table - 6400w x 800d - 8 leg (64)</i>		
<b>BSE</b>	black MFMDf top with edge band <input type="checkbox"/>	+\$0
<b>WSE</b>	white MFMDf top with edge band <input type="checkbox"/>	+\$0
<b>OKE</b>	oak veneer top with edge band <input type="checkbox"/>	+\$3790
<b>J23</b>	4023 Nero forbo lino top with edge band <input type="checkbox"/>	+\$3695
<b>J32</b>	4132 Ash forbo lino top with edge band <input type="checkbox"/>	+\$3695
<b>J55</b>	4155 Pewter forbo lino top with edge band <input type="checkbox"/>	+\$3695
<b>J57</b>	4157 Pearl forbo lino top with edge band <input type="checkbox"/>	+\$3695
<b>J64</b>	4164 Salsa forbo lino top with edge band <input type="checkbox"/>	+\$3695
<b>J66</b>	4166 Charcoal forbo lino top with edge band <input type="checkbox"/>	+\$3695
<b>J72</b>	4172 Mauve forbo lino top with edge band <input type="checkbox"/>	+\$3695
<b>J74</b>	4174 Conifer forbo lino top with edge band <input type="checkbox"/>	+\$3695
<b>J75</b>	4175 Pebble forbo lino top with edge band <input type="checkbox"/>	+\$3695
<b>J76</b>	4176 Mushroom forbo lino top with edge band <input type="checkbox"/>	+\$3695
<b>J77</b>	4177 Vapour forbo lino top with edge band <input type="checkbox"/>	+\$3695
<b>J78</b>	4178 Iron forbo lino top with edge band <input type="checkbox"/>	+\$3695
<b>J79</b>	4179 Smokey Blue forbo lino top with edge band <input type="checkbox"/>	+\$3695
<b>J80</b>	4180 Aquavert forbo lino top with edge band <input type="checkbox"/>	+\$3695
<b>J81</b>	4181 Midnight Blue forbo lino top with edge band <input type="checkbox"/>	+\$3695
<b>J82</b>	4182 Spring Green forbo lino top with edge band <input type="checkbox"/>	+\$3695
<b>J83</b>	4183 Pistachio forbo lino top with edge band <input type="checkbox"/>	+\$3695
<b>J84</b>	4184 Olive forbo lino top with edge band <input type="checkbox"/>	+\$3695
<b>J85</b>	4185 Powder forbo lino top with edge band <input type="checkbox"/>	+\$3695
<b>J86</b>	4186 Orange Blast forbo lino top with edge band <input type="checkbox"/>	+\$3695

# Morse 31.5" Deep Work Table Section Middle A

NOMSA



## Product Information

### Description

This table section middle enables creation of longer tables in a Morse Table System build-your-own configuration. It has a laser cut and folded mild steel underframe, finished with polyester powder coat. Legs come in either powder coated mild steel, or solid wood finished in a clear lacquer. Tops are available in a variety of materials and finishes. Fixed height legs provide 3/4" of leveling adjustment. Product is delivered unassembled.

### Notes

When specified with a cable managed leg, a standard leg is replaced with a version that has an aperture to guide a cable from table top to floor. Cable managed leg can be used in any leg position.

Depth of table section middle must match depth of other table section elements in build-your-own configuration.

Height of table section middle must match height of other table section elements in build-your-own configuration.

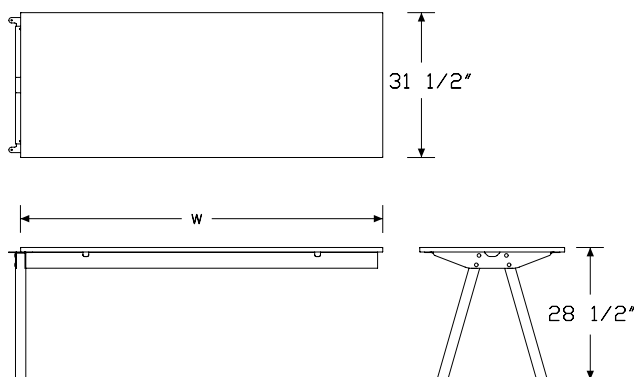
Morse build-your-own table must contain at least 2 section starters (NOMSxSx) or leaf ends (NOMSLFD) and 1 leg set (NOMSLG). Section middles can be used to extend the length of the build-your-own table. Leaf ends are only available for 55" deep build-your-own tables.

Morse power units (NOMSPWR) which are suited to the dot power ports are ordered separately.

Dimensional illustration does not contain all configurations.

For further information, reference Morse Planning Guide.

## Dimensions



## Specification Information

### Step 1.

**NOMSAM3**

### Step 2. Type

<b>12</b>	table section middle A - 1200w x 800d	<input type="checkbox"/>	+\$2752
<b>20</b>	table section middle A - 2000w x 800d	<input type="checkbox"/>	+\$3440

### Step 3. Cable Management

<b>A</b>	no dot power port, no cable management	<input type="checkbox"/>	+\$0
<b>X</b>	no dot power port, comes with cable managed leg	<input type="checkbox"/>	+\$295

### Step 4. Leg Material

<b>W</b>	wood	<input type="checkbox"/>	+\$0
<b>S</b>	steel	<input type="checkbox"/>	+\$0

### Step 5. Leg Finish

#### For wood (W)

<b>OAK</b>	oak	<input type="checkbox"/>	+\$151
------------	-----	--------------------------	--------

#### For steel (S)

<b>R00</b>	black RAL 9005	<input type="checkbox"/>	+\$0
<b>R14</b>	signal white RAL9003	<input type="checkbox"/>	+\$0
<b>R02</b>	stone grey RAL 7030	<input type="checkbox"/>	+\$151
<b>R03</b>	silver - RAL 9006	<input type="checkbox"/>	+\$151
<b>R08</b>	traffic orange RAL 2009	<input type="checkbox"/>	+\$151
<b>R13</b>	pastel blue RAL 5024	<input type="checkbox"/>	+\$151
<b>R23</b>	black grey RAL 7021	<input type="checkbox"/>	+\$151
<b>R24</b>	leaf green RAL 6002	<input type="checkbox"/>	+\$151
<b>R25</b>	pale green RAL 6021	<input type="checkbox"/>	+\$151
<b>R26</b>	RAL 3020 red	<input type="checkbox"/>	+\$151
<b>R28</b>	light pink RAL 3015	<input type="checkbox"/>	+\$151
<b>R29</b>	dark blue RAL 5001	<input type="checkbox"/>	+\$151
<b>R30</b>	oyster RAL 1013	<input type="checkbox"/>	+\$151
<b>R38</b>	broom yellow RAL 1032	<input type="checkbox"/>	+\$151
<b>R39</b>	moss green RAL 6005	<input type="checkbox"/>	+\$151
<b>R40</b>	steel blue RAL 5011	<input type="checkbox"/>	+\$151

Morse 31.5" Deep Work Table  
Section Middle A *continued*

Step 6. Under-Frame Finish

<b>R00</b>	black RAL 9005 [A]	+\$0
<b>R14</b>	signal white RAL9003 [A]	+\$0
<b>R02</b>	stone grey RAL 7030 [A]	+\$378
<b>R03</b>	silver - RAL 9006 [A]	+\$378
<b>R08</b>	traffic orange RAL 2009 [A]	+\$378
<b>R13</b>	pastel blue RAL 5024 [A]	+\$378
<b>R23</b>	black grey RAL 7021 [A]	+\$378
<b>R24</b>	leaf green RAL 6002 [A]	+\$378
<b>R25</b>	pale green RAL 6021 [A]	+\$378
<b>R26</b>	RAL 3020 red [A]	+\$378
<b>R28</b>	light pink RAL 3015 [A]	+\$378
<b>R29</b>	dark blue RAL 5001 [A]	+\$378
<b>R30</b>	oyster RAL 1013 [A]	+\$378
<b>R38</b>	broom yellow RAL 1032 [A]	+\$378
<b>R39</b>	moss green RAL 6005 [A]	+\$378
<b>R40</b>	steel blue RAL 5011 [A]	+\$378

Step 7. Surface Finish

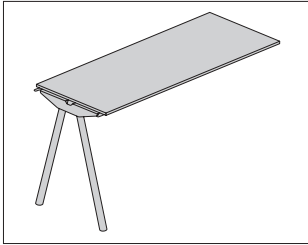
*For table section middle A - 1200w x 800d (12)*

<b>BSE</b>	black MFMDf top with edge band [A]	+\$0
<b>WSE</b>	white MFMDf top with edge band [A]	+\$0
<b>OKE</b>	oak veneer top with edge band [A]	+\$671
<b>J23</b>	4023 Nero forbo lino top with edge band [A]	+\$920
<b>J32</b>	4132 Ash forbo lino top with edge band [A]	+\$920
<b>J55</b>	4155 Pewter forbo lino top with edge band [A]	+\$920
<b>J57</b>	4157 Pearl forbo lino top with edge band [A]	+\$920
<b>J64</b>	4164 Salsa forbo lino top with edge band [A]	+\$920
<b>J66</b>	4166 Charcoal forbo lino top with edge band [A]	+\$920
<b>J72</b>	4172 Mauve forbo lino top with edge band [A]	+\$920
<b>J74</b>	4174 Conifer forbo lino top with edge band [A]	+\$920
<b>J75</b>	4175 Pebble forbo lino top with edge band [A]	+\$920
<b>J76</b>	4176 Mushroom forbo lino top with edge band [A]	+\$920
<b>J77</b>	4177 Vapour forbo lino top with edge band [A]	+\$920
<b>J78</b>	4178 Iron forbo lino top with edge band [A]	+\$920
<b>J79</b>	4179 Smokey Blue forbo lino top with edge band [A]	+\$920
<b>J80</b>	4180 Aquavert forbo lino top with edge band [A]	+\$920
<b>J81</b>	4181 Midnight Blue forbo lino top with edge band [A]	+\$920
<b>J82</b>	4182 Spring Green forbo lino top with edge band [A]	+\$920
<b>J83</b>	4183 Pistachio forbo lino top with edge band [A]	+\$920
<b>J84</b>	4184 Olive forbo lino top with edge band [A]	+\$920
<b>J85</b>	4185 Powder forbo lino top with edge band [A]	+\$920
<b>J86</b>	4186 Orange Blast forbo lino top with edge band [A]	+\$920

*For table section middle A - 2000w x 800d (20)*

<b>BSE</b>	black MFMDf top with edge band [A]	+\$0
<b>WSE</b>	white MFMDf top with edge band [A]	+\$0
<b>OKE</b>	oak veneer top with edge band [A]	+\$1266
<b>J23</b>	4023 Nero forbo lino top with edge band [A]	+\$1125
<b>J32</b>	4132 Ash forbo lino top with edge band [A]	+\$1125
<b>J55</b>	4155 Pewter forbo lino top with edge band [A]	+\$1125
<b>J57</b>	4157 Pearl forbo lino top with edge band [A]	+\$1125
<b>J64</b>	4164 Salsa forbo lino top with edge band [A]	+\$1125
<b>J66</b>	4166 Charcoal forbo lino top with edge band [A]	+\$1125
<b>J72</b>	4172 Mauve forbo lino top with edge band [A]	+\$1125
<b>J74</b>	4174 Conifer forbo lino top with edge band [A]	+\$1125
<b>J75</b>	4175 Pebble forbo lino top with edge band [A]	+\$1125
<b>J76</b>	4176 Mushroom forbo lino top with edge band [A]	+\$1125
<b>J77</b>	4177 Vapour forbo lino top with edge band [A]	+\$1125
<b>J78</b>	4178 Iron forbo lino top with edge band [A]	+\$1125
<b>J79</b>	4179 Smokey Blue forbo lino top with edge band [A]	+\$1125
<b>J80</b>	4180 Aquavert forbo lino top with edge band [A]	+\$1125
<b>J81</b>	4181 Midnight Blue forbo lino top with edge band [A]	+\$1125
<b>J82</b>	4182 Spring Green forbo lino top with edge band [A]	+\$1125
<b>J83</b>	4183 Pistachio forbo lino top with edge band [A]	+\$1125
<b>J84</b>	4184 Olive forbo lino top with edge band [A]	+\$1125
<b>J85</b>	4185 Powder forbo lino top with edge band [A]	+\$1125
<b>J86</b>	4186 Orange Blast forbo lino top with edge band [A]	+\$1125

Morse Bar Height 31.5" Deep Work Table Section Middle A NOMSA



**Product Information**

**Description**

This table section middle enables creation of longer tables in a Morse Table System build-your-own configuration. It has a laser cut and folded mild steel underframe, finished with polyester powder coat. Legs come in either powder coated mild steel, or solid wood finished in a clear lacquer. Tops are available in a variety of materials and finishes. Fixed height legs provide 3/4" of leveling adjustment. Product is delivered unassembled.

**Notes**

When specified with a cable managed leg, a standard leg is replaced with a version that has an aperture to guide a cable from table top to floor. Cable managed leg can be used in any leg position.

Depth of table section middle must match depth of other table section elements in build-your-own configuration.

Height of table section middle must match height of other table section elements in build-your-own configuration.

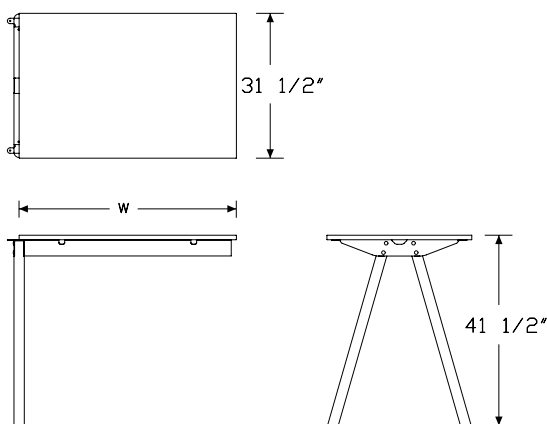
Morse build-your-own table must contain at least 2 section starters (NOMSxSx) or leaf ends (NOMSLFD) and 1 leg set (NOMSLG). Section middles can be used to extend the length of the build-your-own table. Leaf ends are only available for 55" deep build-your-own tables.

Morse power units (NOMSPWR) which are suited to the dot power ports are ordered separately.

Dimensional illustration does not contain all configurations.

For further information, reference Morse Planning Guide.

**Dimensions**



**Specification Information**

**Step 1.**

**NOMSAM5** [A]

**Step 2. Type**

<b>12</b>	bar height table section middle A - 1200w x 800d	[A]	+\$2851
<b>20</b>	bar height table section middle A - 2000w x 800d	[A]	+\$3539

**Step 3. Cable Management**

<b>A</b>	no dot power port, no cable management	[A]	+\$0
<b>X</b>	no dot power port, comes with cable managed leg	[A]	+\$295

**Step 4. Leg Material**

<b>W</b>	wood	[A]	+\$0
<b>S</b>	steel	[A]	+\$0

**Step 5. Leg Finish**

*For wood (W)*

<b>OAK</b>	oak	[A]	+\$151
------------	-----	-----	--------

*For steel (S)*

<b>R00</b>	black RAL 9005	[A]	+\$0
<b>R14</b>	signal white RAL9003	[A]	+\$0
<b>R02</b>	stone grey RAL 7030	[A]	+\$151
<b>R03</b>	silver - RAL 9006	[A]	+\$151
<b>R08</b>	traffic orange RAL 2009	[A]	+\$151
<b>R13</b>	pastel blue RAL 5024	[A]	+\$151
<b>R23</b>	black grey RAL 7021	[A]	+\$151
<b>R24</b>	leaf green RAL 6002	[A]	+\$151
<b>R25</b>	pale green RAL 6021	[A]	+\$151
<b>R26</b>	RAL 3020 red	[A]	+\$151
<b>R28</b>	light pink RAL 3015	[A]	+\$151
<b>R29</b>	dark blue RAL 5001	[A]	+\$151
<b>R30</b>	oyster RAL 1013	[A]	+\$151
<b>R38</b>	broom yellow RAL 1032	[A]	+\$151
<b>R39</b>	moss green RAL 6005	[A]	+\$151
<b>R40</b>	steel blue RAL 5011	[A]	+\$151

Morse Bar Height 31.5" Deep Work  
Table Section Middle A *continued*

Step 6. Under-Frame Finish

<b>R00</b>	black RAL 9005 [A]	+\$0
<b>R14</b>	signal white RAL9003 [A]	+\$0
<b>R02</b>	stone grey RAL 7030 [A]	+\$378
<b>R03</b>	silver - RAL 9006 [A]	+\$378
<b>R08</b>	traffic orange RAL 2009 [A]	+\$378
<b>R13</b>	pastel blue RAL 5024 [A]	+\$378
<b>R23</b>	black grey RAL 7021 [A]	+\$378
<b>R24</b>	leaf green RAL 6002 [A]	+\$378
<b>R25</b>	pale green RAL 6021 [A]	+\$378
<b>R26</b>	RAL 3020 red [A]	+\$378
<b>R28</b>	light pink RAL 3015 [A]	+\$378
<b>R29</b>	dark blue RAL 5001 [A]	+\$378
<b>R30</b>	oyster RAL 1013 [A]	+\$378
<b>R38</b>	broom yellow RAL 1032 [A]	+\$378
<b>R39</b>	moss green RAL 6005 [A]	+\$378
<b>R40</b>	steel blue RAL 5011 [A]	+\$378

Step 7. Surface Finish

*For bar height table section middle A - 1200w x 800d (12)*

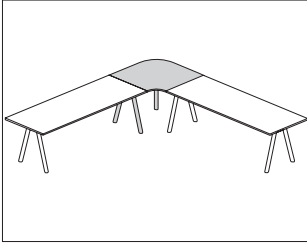
<b>BSE</b>	black MF MDF top with edge band [A]	+\$0
<b>WSE</b>	white MF MDF top with edge band [A]	+\$0
<b>OKE</b>	oak veneer top with edge band [A]	+\$671
<b>J23</b>	4023 Nero forbo lino top with edge band [A]	+\$920
<b>J32</b>	4132 Ash forbo lino top with edge band [A]	+\$920
<b>J55</b>	4155 Pewter forbo lino top with edge band [A]	+\$920
<b>J57</b>	4157 Pearl forbo lino top with edge band [A]	+\$920
<b>J64</b>	4164 Salsa forbo lino top with edge band [A]	+\$920
<b>J66</b>	4166 Charcoal forbo lino top with edge band [A]	+\$920
<b>J72</b>	4172 Mauve forbo lino top with edge band [A]	+\$920
<b>J74</b>	4174 Conifer forbo lino top with edge band [A]	+\$920
<b>J75</b>	4175 Pebble forbo lino top with edge band [A]	+\$920
<b>J76</b>	4176 Mushroom forbo lino top with edge band [A]	+\$920
<b>J77</b>	4177 Vapour forbo lino top with edge band [A]	+\$920
<b>J78</b>	4178 Iron forbo lino top with edge band [A]	+\$920
<b>J79</b>	4179 Smokey Blue forbo lino top with edge band [A]	+\$920
<b>J80</b>	4180 Aquavert forbo lino top with edge band [A]	+\$920
<b>J81</b>	4181 Midnight Blue forbo lino top with edge band [A]	+\$920
<b>J82</b>	4182 Spring Green forbo lino top with edge band [A]	+\$920
<b>J83</b>	4183 Pistachio forbo lino top with edge band [A]	+\$920
<b>J84</b>	4184 Olive forbo lino top with edge band [A]	+\$920
<b>J85</b>	4185 Powder forbo lino top with edge band [A]	+\$920
<b>J86</b>	4186 Orange Blast forbo lino top with edge band [A]	+\$920

*For bar height table section middle A - 2000w x 800d (20)*

<b>BSE</b>	black MF MDF top with edge band [A]	+\$0
<b>WSE</b>	white MF MDF top with edge band [A]	+\$0
<b>OKE</b>	oak veneer top with edge band [A]	+\$1266
<b>J23</b>	4023 Nero forbo lino top with edge band [A]	+\$1125
<b>J32</b>	4132 Ash forbo lino top with edge band [A]	+\$1125
<b>J55</b>	4155 Pewter forbo lino top with edge band [A]	+\$1125
<b>J57</b>	4157 Pearl forbo lino top with edge band [A]	+\$1125
<b>J64</b>	4164 Salsa forbo lino top with edge band [A]	+\$1125
<b>J66</b>	4166 Charcoal forbo lino top with edge band [A]	+\$1125
<b>J72</b>	4172 Mauve forbo lino top with edge band [A]	+\$1125
<b>J74</b>	4174 Conifer forbo lino top with edge band [A]	+\$1125
<b>J75</b>	4175 Pebble forbo lino top with edge band [A]	+\$1125
<b>J76</b>	4176 Mushroom forbo lino top with edge band [A]	+\$1125
<b>J77</b>	4177 Vapour forbo lino top with edge band [A]	+\$1125
<b>J78</b>	4178 Iron forbo lino top with edge band [A]	+\$1125
<b>J79</b>	4179 Smokey Blue forbo lino top with edge band [A]	+\$1125
<b>J80</b>	4180 Aquavert forbo lino top with edge band [A]	+\$1125
<b>J81</b>	4181 Midnight Blue forbo lino top with edge band [A]	+\$1125
<b>J82</b>	4182 Spring Green forbo lino top with edge band [A]	+\$1125
<b>J83</b>	4183 Pistachio forbo lino top with edge band [A]	+\$1125
<b>J84</b>	4184 Olive forbo lino top with edge band [A]	+\$1125
<b>J85</b>	4185 Powder forbo lino top with edge band [A]	+\$1125
<b>J86</b>	4186 Orange Blast forbo lino top with edge band [A]	+\$1125

Morse 31.5" Deep Work Table  
Section Corner A

NOMSA



Product Information

Description

The 90° curve extension offers versatility in tight turns and corner configurations for Morse Table System. It has a laser-cut and folded mild steel underframe finished with polyester powder coat. Legs come in either powder-coated mild steel or solid wood with a clear lacquer finish. Tops are available in a variety of materials and finishes. Fixed-height legs provide 3/4" of leveling adjustment. Product is delivered unassembled.

Notes

When specified with a cable managed leg (X), standard leg is replaced with a version that has an aperture to guide cable from tabletop to floor. Cable managed leg can be used in any leg position.

Depth of corner section must match depth of other table section elements in build-your-own configuration.

Height of corner section must match height of other table section elements in build-your-own configuration.

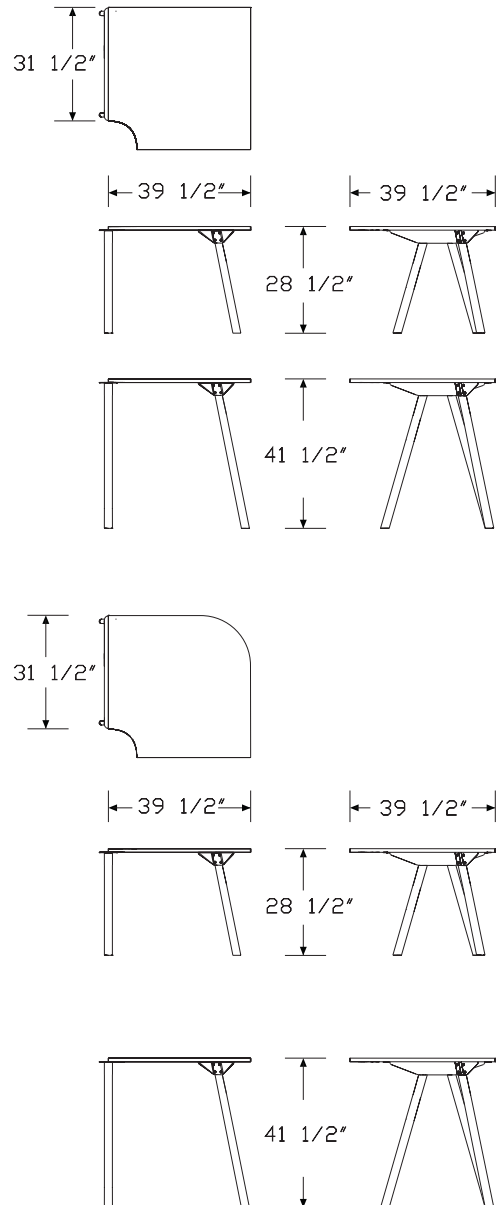
Curve extension cannot be used next to leaf ends (NOMSLFDx).

Curve extensions cannot be used next to another curve extension (NOMSAUx).

Curve extensions must be connected by 2 straight sections (NOMSASx or NOMSAMx) of the same width and height.

Dimensional illustration does not contain all configurations.

Dimensions



# Morse 31.5" Deep Work Table

## Section Corner A *continued*

Specification Information		
Step 1.		
<b>NOMSAU</b>		
Step 2. Type		
<b>90</b>	table section 90 degree curve - 55"d	+\$2506
Step 3. Height		
<b>3</b>	standard height	+\$0
<b>5</b>	bar height	+\$148
Step 4. Corner Type		
<b>RD</b>	radius corner	+\$0
<b>SQ</b>	square corner	+\$0
Step 5. Cable Management		
<b>A</b>	no dot power port, no cable management	+\$0
<b>X</b>	no dot power port, comes with cable managed leg	+\$295
Step 6. Leg Material		
<b>W</b>	wood	+\$0
<b>S</b>	steel	+\$0
Step 7. Leg Finish		
<i>For wood (W)</i>		
<b>OAK</b>	oak	+\$227
<i>For steel (S)</i>		
<b>R00</b>	black RAL 9005	+\$0
<b>R02</b>	stone grey RAL 7030	+\$227
<b>R03</b>	silver - RAL 9006	+\$227
<b>R08</b>	traffic orange RAL 2009	+\$227
<b>R13</b>	pastel blue RAL 5024	+\$227
<b>R14</b>	signal white RAL9003	+\$0
<b>R23</b>	black grey RAL 7021	+\$227
<b>R24</b>	leaf green RAL 6002	+\$227
<b>R25</b>	pale green RAL 6021	+\$227
<b>R26</b>	traffic red RAL 3020	+\$227
<b>R28</b>	light pink RAL 3015	+\$227
<b>R29</b>	dark blue RAL 5001	+\$227
<b>R30</b>	oyster RAL 1013	+\$227
<b>R38</b>	broom yellow RAL 1032	+\$227
<b>R39</b>	moss green RAL 6005	+\$227
<b>R40</b>	steel blue RAL 5011	+\$227

Step 8. Under-Frame Finish		
<b>R00</b>	black RAL 9005	+\$0
<b>R02</b>	stone grey RAL 7030	+\$151
<b>R03</b>	silver - RAL 9006	+\$151
<b>R08</b>	traffic orange RAL 2009	+\$151
<b>R13</b>	pastel blue RAL 5024	+\$151
<b>R14</b>	signal white RAL9003	+\$0
<b>R23</b>	black grey RAL 7021	+\$151
<b>R24</b>	leaf green RAL 6002	+\$151
<b>R25</b>	pale green RAL 6021	+\$151
<b>R26</b>	traffic red RAL 3020	+\$151
<b>R28</b>	light pink RAL 3015	+\$151
<b>R29</b>	dark blue RAL 5001	+\$151
<b>R30</b>	oyster RAL 1013	+\$151
<b>R38</b>	broom yellow RAL 1032	+\$151
<b>R39</b>	moss green RAL 6005	+\$151
<b>R40</b>	steel blue RAL 5011	+\$151

Step 9. Surface Finish		
<i>For radius corner (RD)</i>		
<b>BSE</b>	black MFMDF top with edge band	+\$0
<b>WSE</b>	white MFMDF top with edge band	+\$0
<b>J23</b>	4023 Nero forbo lino top with edge band	+\$1035
<b>J32</b>	4132 Ash forbo lino top with edge band	+\$1035
<b>J55</b>	4155 Pewter forbo lino top with edge band	+\$1035
<b>J57</b>	4157 Pearl forbo lino top with edge band	+\$1035
<b>J64</b>	4164 Salsa forbo lino top with edge band	+\$1035
<b>J66</b>	4166 Charcoal forbo lino top with edge band	+\$1035
<b>J72</b>	4172 Mauve forbo lino top with edge band	+\$1035
<b>J74</b>	4174 Conifer forbo lino top with edge band	+\$1035
<b>J75</b>	4175 Pebble forbo lino top with edge band	+\$1035
<b>J76</b>	4176 Mushroom forbo lino top with edge band	+\$1035
<b>J77</b>	4177 Vapour forbo lino top with edge band	+\$1035
<b>J78</b>	4178 Iron forbo lino top with edge band	+\$1035
<b>J79</b>	4179 Smokey Blue forbo lino top with edge band	+\$1035
<b>J80</b>	4180 Aquavert forbo lino top with edge band	+\$1035
<b>J81</b>	4181 Midnight Blue forbo lino top with edge band	+\$1035
<b>J82</b>	4182 Spring Green forbo lino top with edge band	+\$1035
<b>J83</b>	4183 Pistachio forbo lino top with edge band	+\$1035
<b>J84</b>	4184 Olive forbo lino top with edge band	+\$1035
<b>J85</b>	4185 Powder forbo lino top with edge band	+\$1035
<b>J86</b>	4186 Orange Blast forbo lino top with edge band	+\$1035



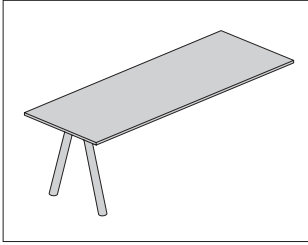
Morse 31.5" Deep Work Table  
Section Corner A *continued*

For square corner (SQ)

<b>BSE</b>	black MFMDf top with edge band <input type="checkbox"/>	+\$0
<b>WSE</b>	white MFMDf top with edge band <input type="checkbox"/>	+\$0
<b>J23</b>	4023 Nero forbo lino top with edge band <input type="checkbox"/>	+\$1035
<b>J32</b>	4132 Ash forbo lino top with edge band <input type="checkbox"/>	+\$1035
<b>J55</b>	4155 Pewter forbo lino top with edge band <input type="checkbox"/>	+\$1035
<b>J57</b>	4157 Pearl forbo lino top with edge band <input type="checkbox"/>	+\$1035
<b>J64</b>	4164 Salsa forbo lino top with edge band <input type="checkbox"/>	+\$1035
<b>J66</b>	4166 Charcoal forbo lino top with edge band <input type="checkbox"/>	+\$1035
<b>J72</b>	4172 Mauve forbo lino top with edge band <input type="checkbox"/>	+\$1035
<b>J74</b>	4174 Conifer forbo lino top with edge band <input type="checkbox"/>	+\$1035
<b>J75</b>	4175 Pebble forbo lino top with edge band <input type="checkbox"/>	+\$1035
<b>J76</b>	4176 Mushroom forbo lino top with edge band <input type="checkbox"/>	+\$1035
<b>J77</b>	4177 Vapour forbo lino top with edge band <input type="checkbox"/>	+\$1035
<b>J78</b>	4178 Iron forbo lino top with edge band <input type="checkbox"/>	+\$1035
<b>J79</b>	4179 Smokey Blue forbo lino top with edge band <input type="checkbox"/>	+\$1035
<b>J80</b>	4180 Aquavert forbo lino top with edge band <input type="checkbox"/>	+\$1035
<b>J81</b>	4181 Midnight Blue forbo lino top with edge band <input type="checkbox"/>	+\$1035
<b>J82</b>	4182 Spring Green forbo lino top with edge band <input type="checkbox"/>	+\$1035
<b>J83</b>	4183 Pistachio forbo lino top with edge band <input type="checkbox"/>	+\$1035
<b>J84</b>	4184 Olive forbo lino top with edge band <input type="checkbox"/>	+\$1035
<b>J85</b>	4185 Powder forbo lino top with edge band <input type="checkbox"/>	+\$1035
<b>J86</b>	4186 Orange Blast forbo lino top with edge band <input type="checkbox"/>	+\$1035

# Morse 31.5" Deep Work Table Section Starter A

NOMSA



NaughtOne® Meeting Tables

## Product Information

### Description

This table section starter provides a beginning or end to a Morse Table System build-your-own configuration. It has a laser cut and folded mild steel underframe, finished with polyester powder coat. Legs come in either powder coated mild steel, or solid wood finished in a clear lacquer. Tops are available in a variety of materials and finishes. Fixed height legs provide 3/4" of leveling adjustment. Product is delivered unassembled.

### Notes

When specified with a cable managed leg, a standard leg is replaced with a version that has an aperture to guide a cable from table top to floor. Cable managed leg can be used in any leg position.

Depth of table section starter must match depth of other table section elements in build-your-own configuration.

Height of table section starter must match height of other table section elements in build-your-own configuration.

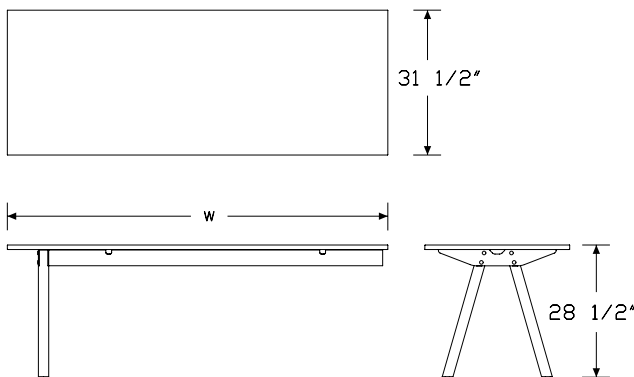
Morse build-your-own table must contain at least 2 section starters or leaf ends (NOMSLFD) and 1 leg set (NOMSLG). Section middles (NOMSxMx) can be used to extend the length of the build-your-own table. Leaf ends are only available for 55" deep build-your-own tables.

Morse power units (NOMSPWR) which are suited to the dot power ports are ordered separately.

Dimensional illustration does not contain all configurations.

For further information, reference Morse Planning Guide.

### Dimensions



## Specification Information

### Step 1.

**NOMSAS3**

### Step 2. Type

<b>14</b>	table section starter A - 1400w x 800d	<input type="checkbox"/>	+\$2752
<b>22</b>	table section starter A - 2200w x 800d	<input type="checkbox"/>	+\$3440

### Step 3. Cable Management

<b>A</b>	no dot power port, no cable management	<input type="checkbox"/>	+\$0
----------	--	--------------------------	------

### Step 4. Leg Material

<b>W</b>	wood	<input type="checkbox"/>	+\$0
<b>S</b>	steel	<input type="checkbox"/>	+\$0

### Step 5. Leg Finish

#### For wood (W)

<b>OAK</b>	oak	<input type="checkbox"/>	+\$151
------------	-----	--------------------------	--------

#### For steel (S)

<b>R00</b>	black RAL 9005	<input type="checkbox"/>	+\$0
<b>R14</b>	signal white RAL9003	<input type="checkbox"/>	+\$0
<b>R02</b>	stone grey RAL 7030	<input type="checkbox"/>	+\$151
<b>R03</b>	silver - RAL 9006	<input type="checkbox"/>	+\$151
<b>R08</b>	traffic orange RAL 2009	<input type="checkbox"/>	+\$151
<b>R13</b>	pastel blue RAL 5024	<input type="checkbox"/>	+\$151
<b>R23</b>	black grey RAL 7021	<input type="checkbox"/>	+\$151
<b>R24</b>	leaf green RAL 6002	<input type="checkbox"/>	+\$151
<b>R25</b>	pale green RAL 6021	<input type="checkbox"/>	+\$151
<b>R26</b>	RAL 3020 red	<input type="checkbox"/>	+\$151
<b>R28</b>	light pink RAL 3015	<input type="checkbox"/>	+\$151
<b>R29</b>	dark blue RAL 5001	<input type="checkbox"/>	+\$151
<b>R30</b>	oyster RAL 1013	<input type="checkbox"/>	+\$151
<b>R38</b>	broom yellow RAL 1032	<input type="checkbox"/>	+\$151
<b>R39</b>	moss green RAL 6005	<input type="checkbox"/>	+\$151
<b>R40</b>	steel blue RAL 5011	<input type="checkbox"/>	+\$151

Morse 31.5" Deep Work Table  
Section Starter A *continued*

Step 6. Under-Frame Finish

R00	black RAL 9005 [A]	+\$0
R14	signal white RAL9003 [A]	+\$0
R02	stone grey RAL 7030 [A]	+\$378
R03	silver - RAL 9006 [A]	+\$378
R08	traffic orange RAL 2009 [A]	+\$378
R13	pastel blue RAL 5024 [A]	+\$378
R23	black grey RAL 7021 [A]	+\$378
R24	leaf green RAL 6002 [A]	+\$378
R25	pale green RAL 6021 [A]	+\$378
R26	RAL 3020 red [A]	+\$378
R28	light pink RAL 3015 [A]	+\$378
R29	dark blue RAL 5001 [A]	+\$378
R30	oyster RAL 1013 [A]	+\$378
R38	broom yellow RAL 1032 [A]	+\$378
R39	moss green RAL 6005 [A]	+\$378
R40	steel blue RAL 5011 [A]	+\$378

Step 7. Surface Finish

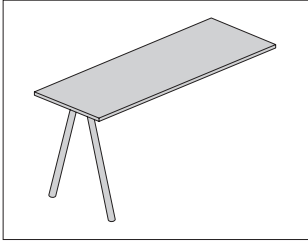
For table section starter A - 1400w x 800d (14)

BSE	black MFMDf top with edge band [A]	+\$0
WSE	white MFMDf top with edge band [A]	+\$0
OKE	oak veneer top with edge band [A]	+\$945
J23	4023 Nero forbo lino top with edge band [A]	+\$1089
J32	4132 Ash forbo lino top with edge band [A]	+\$1089
J55	4155 Pewter forbo lino top with edge band [A]	+\$1089
J57	4157 Pearl forbo lino top with edge band [A]	+\$1089
J64	4164 Salsa forbo lino top with edge band [A]	+\$1089
J66	4166 Charcoal forbo lino top with edge band [A]	+\$1089
J72	4172 Mauve forbo lino top with edge band [A]	+\$1089
J74	4174 Conifer forbo lino top with edge band [A]	+\$1089
J75	4175 Pebble forbo lino top with edge band [A]	+\$1089
J76	4176 Mushroom forbo lino top with edge band [A]	+\$1089
J77	4177 Vapour forbo lino top with edge band [A]	+\$1089
J78	4178 Iron forbo lino top with edge band [A]	+\$1089
J79	4179 Smokey Blue forbo lino top with edge band [A]	+\$1089
J80	4180 Aquavert forbo lino top with edge band [A]	+\$1089
J81	4181 Midnight Blue forbo lino top with edge band [A]	+\$1089
J82	4182 Spring Green forbo lino top with edge band [A]	+\$1089
J83	4183 Pistachio forbo lino top with edge band [A]	+\$1089
J84	4184 Olive forbo lino top with edge band [A]	+\$1089
J85	4185 Powder forbo lino top with edge band [A]	+\$1089
J86	4186 Orange Blast forbo lino top with edge band [A]	+\$1089

For table section starter A - 2200w x 800d (22)

BSE	black MFMDf top with edge band [A]	+\$0
WSE	white MFMDf top with edge band [A]	+\$0
OKE	oak veneer top with edge band [A]	+\$1266
J23	4023 Nero forbo lino top with edge band [A]	+\$1285
J32	4132 Ash forbo lino top with edge band [A]	+\$1285
J55	4155 Pewter forbo lino top with edge band [A]	+\$1285
J57	4157 Pearl forbo lino top with edge band [A]	+\$1285
J64	4164 Salsa forbo lino top with edge band [A]	+\$1285
J66	4166 Charcoal forbo lino top with edge band [A]	+\$1285
J72	4172 Mauve forbo lino top with edge band [A]	+\$1285
J74	4174 Conifer forbo lino top with edge band [A]	+\$1285
J75	4175 Pebble forbo lino top with edge band [A]	+\$1285
J76	4176 Mushroom forbo lino top with edge band [A]	+\$1285
J77	4177 Vapour forbo lino top with edge band [A]	+\$1285
J78	4178 Iron forbo lino top with edge band [A]	+\$1285
J79	4179 Smokey Blue forbo lino top with edge band [A]	+\$1285
J80	4180 Aquavert forbo lino top with edge band [A]	+\$1285
J81	4181 Midnight Blue forbo lino top with edge band [A]	+\$1285
J82	4182 Spring Green forbo lino top with edge band [A]	+\$1285
J83	4183 Pistachio forbo lino top with edge band [A]	+\$1285
J84	4184 Olive forbo lino top with edge band [A]	+\$1285
J85	4185 Powder forbo lino top with edge band [A]	+\$1285
J86	4186 Orange Blast forbo lino top with edge band [A]	+\$1285

Morse Bar Height 31.5" Deep Work Table Section Starter A NOMSA



NaughtOne® Meeting Tables

**Product Information**

**Description**

This table section starter provides a beginning or end to a Morse Table System build-your-own configuration. It has a laser cut and folded mild steel underframe, finished with polyester powder coat. Legs come in either powder coated mild steel, or solid wood finished in a clear lacquer. Tops are available in a variety of materials and finishes. Fixed height legs provide 3/4" of leveling adjustment. Product is delivered unassembled.

**Notes**

When specified with a cable managed leg, a standard leg is replaced with a version that has an aperture to guide a cable from table top to floor. Cable managed leg can be used in any leg position.

Depth of table section starter must match depth of other table section elements in build-your-own configuration.

Height of table section starter must match height of other table section elements in build-your-own configuration.

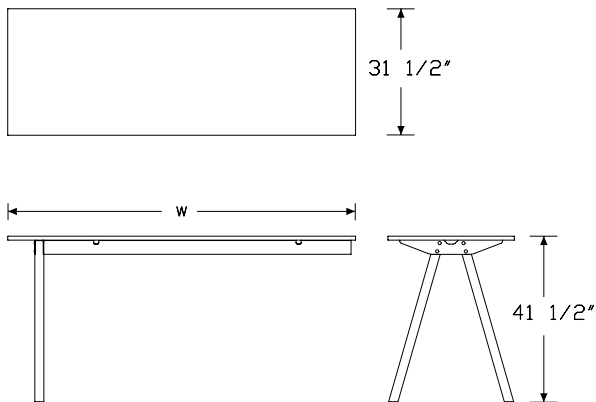
Morse build-your-own table must contain at least 2 section starters or leaf ends (NOMSLFD) and 1 leg set (NOMSLG). Section middles (NOMSxMx) can be used to extend the length of the build-your-own table. Leaf ends are only available for 55" deep build-your-own tables.

Morse power units (NOMSPWR) which are suited to the dot power ports are ordered separately.

Dimensional illustration does not contain all configurations.

For further information, reference Morse Planning Guide.

**Dimensions**



**Specification Information**

**Step 1.**

**NOMSAS5**

**Step 2. Type**

<b>14</b>	bar height table section starter A - 1400w x 800d <input type="checkbox"/>	+\$2851
<b>22</b>	bar height table section starter A - 2200w x 800d <input type="checkbox"/>	+\$3539

**Step 3. Cable Management**

<b>A</b>	no dot power port, no cable management <input type="checkbox"/>	+\$0
----------	---	------

**Step 4. Leg Material**

<b>W</b>	wood <input type="checkbox"/>	+\$0
<b>S</b>	steel <input type="checkbox"/>	+\$0

**Step 5. Leg Finish**

*For wood (W)*

<b>OAK</b>	oak <input type="checkbox"/>	+\$151
------------	------------------------------	--------

*For steel (S)*

<b>R00</b>	black RAL 9005 <input type="checkbox"/>	+\$0
<b>R14</b>	signal white RAL9003 <input type="checkbox"/>	+\$0
<b>R02</b>	stone grey RAL 7030 <input type="checkbox"/>	+\$151
<b>R03</b>	silver - RAL 9006 <input type="checkbox"/>	+\$151
<b>R08</b>	traffic orange RAL 2009 <input type="checkbox"/>	+\$151
<b>R13</b>	pastel blue RAL 5024 <input type="checkbox"/>	+\$151
<b>R23</b>	black grey RAL 7021 <input type="checkbox"/>	+\$151
<b>R24</b>	leaf green RAL 6002 <input type="checkbox"/>	+\$151
<b>R25</b>	pale green RAL 6021 <input type="checkbox"/>	+\$151
<b>R26</b>	RAL 3020 red <input type="checkbox"/>	+\$151
<b>R28</b>	light pink RAL 3015 <input type="checkbox"/>	+\$151
<b>R29</b>	dark blue RAL 5001 <input type="checkbox"/>	+\$151
<b>R30</b>	oyster RAL 1013 <input type="checkbox"/>	+\$151
<b>R38</b>	broom yellow RAL 1032 <input type="checkbox"/>	+\$151
<b>R39</b>	moss green RAL 6005 <input type="checkbox"/>	+\$151
<b>R40</b>	steel blue RAL 5011 <input type="checkbox"/>	+\$151

Morse Bar Height 31.5" Deep Work  
Table Section Starter A *continued*

Step 6. Under-Frame Finish

R00	black RAL 9005	A	+\$0
R14	signal white RAL9003	A	+\$0
R02	stone grey RAL 7030	A	+\$378
R03	silver - RAL 9006	A	+\$378
R08	traffic orange RAL 2009	A	+\$378
R13	pastel blue RAL 5024	A	+\$378
R23	black grey RAL 7021	A	+\$378
R24	leaf green RAL 6002	A	+\$378
R25	pale green RAL 6021	A	+\$378
R26	RAL 3020 red	A	+\$378
R28	light pink RAL 3015	A	+\$378
R29	dark blue RAL 5001	A	+\$378
R30	oyster RAL 1013	A	+\$378
R38	broom yellow RAL 1032	A	+\$378
R39	moss green RAL 6005	A	+\$378
R40	steel blue RAL 5011	A	+\$378

Step 7. Surface Finish

For bar height table section starter A - 1400w x 800d (14)

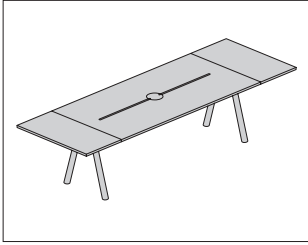
BSE	black MFMDf top with edge band	A	+\$0
WSE	white MFMDf top with edge band	A	+\$0
OKE	oak veneer top with edge band	A	+\$945
J23	4023 Nero forbo lino top with edge band	A	+\$1089
J32	4132 Ash forbo lino top with edge band	A	+\$1089
J55	4155 Pewter forbo lino top with edge band	A	+\$1089
J57	4157 Pearl forbo lino top with edge band	A	+\$1089
J64	4164 Salsa forbo lino top with edge band	A	+\$1089
J66	4166 Charcoal forbo lino top with edge band	A	+\$1089
J72	4172 Mauve forbo lino top with edge band	A	+\$1089
J74	4174 Conifer forbo lino top with edge band	A	+\$1089
J75	4175 Pebble forbo lino top with edge band	A	+\$1089
J76	4176 Mushroom forbo lino top with edge band	A	+\$1089
J77	4177 Vapour forbo lino top with edge band	A	+\$1089
J78	4178 Iron forbo lino top with edge band	A	+\$1089
J79	4179 Smokey Blue forbo lino top with edge band	A	+\$1089
J80	4180 Aquavert forbo lino top with edge band	A	+\$1089
J81	4181 Midnight Blue forbo lino top with edge band	A	+\$1089
J82	4182 Spring Green forbo lino top with edge band	A	+\$1089
J83	4183 Pistachio forbo lino top with edge band	A	+\$1089
J84	4184 Olive forbo lino top with edge band	A	+\$1089
J85	4185 Powder forbo lino top with edge band	A	+\$1089
J86	4186 Orange Blast forbo lino top with edge band	A	+\$1089

For bar height table section starter A - 2200w x 800d (22)

BSE	black MFMDf top with edge band	A	+\$0
WSE	white MFMDf top with edge band	A	+\$0
OKE	oak veneer top with edge band	A	+\$1266
J23	4023 Nero forbo lino top with edge band	A	+\$1285
J32	4132 Ash forbo lino top with edge band	A	+\$1285
J55	4155 Pewter forbo lino top with edge band	A	+\$1285
J57	4157 Pearl forbo lino top with edge band	A	+\$1285
J64	4164 Salsa forbo lino top with edge band	A	+\$1285
J66	4166 Charcoal forbo lino top with edge band	A	+\$1285
J72	4172 Mauve forbo lino top with edge band	A	+\$1285
J74	4174 Conifer forbo lino top with edge band	A	+\$1285
J75	4175 Pebble forbo lino top with edge band	A	+\$1285
J76	4176 Mushroom forbo lino top with edge band	A	+\$1285
J77	4177 Vapour forbo lino top with edge band	A	+\$1285
J78	4178 Iron forbo lino top with edge band	A	+\$1285
J79	4179 Smokey Blue forbo lino top with edge band	A	+\$1285
J80	4180 Aquavert forbo lino top with edge band	A	+\$1285
J81	4181 Midnight Blue forbo lino top with edge band	A	+\$1285
J82	4182 Spring Green forbo lino top with edge band	A	+\$1285
J83	4183 Pistachio forbo lino top with edge band	A	+\$1285
J84	4184 Olive forbo lino top with edge band	A	+\$1285
J85	4185 Powder forbo lino top with edge band	A	+\$1285
J86	4186 Orange Blast forbo lino top with edge band	A	+\$1285

# Morse 39.5" Deep Meeting Table

NOMSB



NaughtOne® Meeting Tables

## Product Information

### Description

This table has a laser cut and folded mild steel underframe, finished with polyester powder coat. Legs come in either powder coated mild steel, or solid wood finished in a clear lacquer. Tops are available in a variety of materials and finishes. Fixed height legs provide 3/4" of leveling adjustment. Product is delivered unassembled.

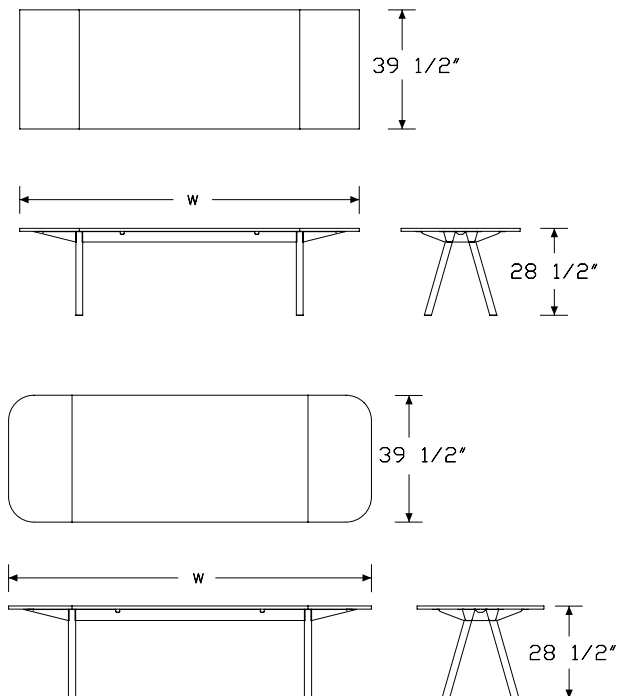
### Notes

When specified with a cable managed leg, a standard leg is replaced with a version that has an aperture to guide a cable from table top to floor. Cable managed leg can be used in any leg position.

When specified with dot power ports, table tops are also provided with a machined accessories channel. This does not apply to rectangular meeting table 2000w x 1000d (20R), which comes with the dot power port only. Morse power units (NOMSPWR) which are suited to the dot power ports are ordered separately.

Dimensional illustration does not contain all configurations.

## Dimensions



## Specification Information

### Step 1.

**NOMSB3** A

### Step 2. Type

<b>20R</b>	rectangular meeting table - 2000w x 1000d	<span style="border: 1px solid black; padding: 0 2px;">A</span>	+\$3735
<b>24R</b>	rectangular meeting table - 2400w x 1000d	<span style="border: 1px solid black; padding: 0 2px;">A</span>	+\$4128
<b>30R</b>	rectangular meeting table - 3000w x 1000d	<span style="border: 1px solid black; padding: 0 2px;">A</span>	+\$6683
<b>30D</b>	radius corner meeting table - 3000w x 1000d	<span style="border: 1px solid black; padding: 0 2px;">A</span>	+\$6683

### Step 3. Cable Management

*For rectangular meeting table - 2000w x 1000d (20R) or rectangular meeting table - 2400w x 1000d (24R)*

<b>A</b>	no dot power port, no cable management	<span style="border: 1px solid black; padding: 0 2px;">A</span>	+\$0
<b>B</b>	one dot power port, cable tray, no cable managed leg	<span style="border: 1px solid black; padding: 0 2px;">A</span>	+\$640
<b>Y</b>	one dot power port, comes with cable tray and cable managed leg	<span style="border: 1px solid black; padding: 0 2px;">A</span>	+\$934

*For rectangular meeting table - 3000w x 1000d (30R) or radius corner meeting table - 3000w x 1000d (30D)*

<b>A</b>	no dot power port, no cable management	<span style="border: 1px solid black; padding: 0 2px;">A</span>	+\$0
<b>B</b>	one dot power port, cable tray, no cable managed leg	<span style="border: 1px solid black; padding: 0 2px;">A</span>	+\$640
<b>C</b>	two dot power ports, cable tray, no cable managed leg	<span style="border: 1px solid black; padding: 0 2px;">A</span>	+\$836
<b>Y</b>	one dot power port, comes with cable tray and cable managed leg	<span style="border: 1px solid black; padding: 0 2px;">A</span>	+\$934
<b>Z</b>	two dot power ports, cable tray and cable managed leg	<span style="border: 1px solid black; padding: 0 2px;">A</span>	+\$1130

### Step 4. Leg Material

<b>W</b>	wood	<span style="border: 1px solid black; padding: 0 2px;">A</span>	+\$0
<b>S</b>	steel	<span style="border: 1px solid black; padding: 0 2px;">A</span>	+\$0

### Step 5. Leg Finish

*For wood (W)*

<b>OAK</b>	oak	<span style="border: 1px solid black; padding: 0 2px;">A</span>	+\$302
------------	-----	---	--------

# Morse 39.5" Deep Meeting Table

continued

## For steel (S)

R00	black RAL 9005	A	+\$0
R14	signal white RAL9003	A	+\$0
R02	stone grey RAL 7030	A	+\$302
R03	silver - RAL 9006	A	+\$302
R08	traffic orange RAL 2009	A	+\$302
R13	pastel blue RAL 5024	A	+\$302
R23	black grey RAL 7021	A	+\$302
R24	leaf green RAL 6002	A	+\$302
R25	pale green RAL 6021	A	+\$302
R26	RAL 3020 red	A	+\$302
R28	light pink RAL 3015	A	+\$302
R29	dark blue RAL 5001	A	+\$302
R30	oyster RAL 1013	A	+\$302
R38	broom yellow RAL 1032	A	+\$302
R39	moss green RAL 6005	A	+\$302
R40	steel blue RAL 5011	A	+\$302

## Step 6. Under-Frame Finish

R00	black RAL 9005	A	+\$0
R14	signal white RAL9003	A	+\$0
R02	stone grey RAL 7030	A	+\$454
R03	silver - RAL 9006	A	+\$454
R08	traffic orange RAL 2009	A	+\$454
R13	pastel blue RAL 5024	A	+\$454
R23	black grey RAL 7021	A	+\$454
R24	leaf green RAL 6002	A	+\$454
R25	pale green RAL 6021	A	+\$454
R26	RAL 3020 red	A	+\$454
R28	light pink RAL 3015	A	+\$454
R29	dark blue RAL 5001	A	+\$454
R30	oyster RAL 1013	A	+\$454
R38	broom yellow RAL 1032	A	+\$454
R39	moss green RAL 6005	A	+\$454
R40	steel blue RAL 5011	A	+\$454

## Step 7. Surface Finish

### For rectangular meeting table - 2000w x 1000d (20R)

BSE	black MFMDf top with edge band	A	+\$0
WSE	white MFMDf top with edge band	A	+\$0
OKE	oak veneer top with edge band	A	+\$1220
J23	4023 Nero forbo lino top with edge band	A	+\$1482
J32	4132 Ash forbo lino top with edge band	A	+\$1482
J55	4155 Pewter forbo lino top with edge band	A	+\$1482
J57	4157 Pearl forbo lino top with edge band	A	+\$1482
J64	4164 Salsa forbo lino top with edge band	A	+\$1482
J66	4166 Charcoal forbo lino top with edge band	A	+\$1482
J72	4172 Mauve forbo lino top with edge band	A	+\$1482
J74	4174 Conifer forbo lino top with edge band	A	+\$1482
J75	4175 Pebble forbo lino top with edge band	A	+\$1482
J76	4176 Mushroom forbo lino top with edge band	A	+\$1482
J77	4177 Vapour forbo lino top with edge band	A	+\$1482
J78	4178 Iron forbo lino top with edge band	A	+\$1482
J79	4179 Smokey Blue forbo lino top with edge band	A	+\$1482
J80	4180 Aquavert forbo lino top with edge band	A	+\$1482
J81	4181 Midnight Blue forbo lino top with edge band	A	+\$1482
J82	4182 Spring Green forbo lino top with edge band	A	+\$1482
J83	4183 Pistachio forbo lino top with edge band	A	+\$1482
J84	4184 Olive forbo lino top with edge band	A	+\$1482
J85	4185 Powder forbo lino top with edge band	A	+\$1482
J86	4186 Orange Blast forbo lino top with edge band	A	+\$1482

# Morse 39.5" Deep Meeting Table

continued

NaughtOne® Meeting Tables

*For rectangular meeting table - 2400w x 1000d (24R)*

<b>BSE</b>	black MFMDF top with edge band <input type="checkbox"/>	+\$0
<b>WSE</b>	white MFMDF top with edge band <input type="checkbox"/>	+\$0
<b>OKE</b>	oak veneer top with edge band <input type="checkbox"/>	+\$1182
<b>J23</b>	4023 Nero forbo lino top with edge band <input type="checkbox"/>	+\$1803
<b>J32</b>	4132 Ash forbo lino top with edge band <input type="checkbox"/>	+\$1803
<b>J55</b>	4155 Pewter forbo lino top with edge band <input type="checkbox"/>	+\$1803
<b>J57</b>	4157 Pearl forbo lino top with edge band <input type="checkbox"/>	+\$1803
<b>J64</b>	4164 Salsa forbo lino top with edge band <input type="checkbox"/>	+\$1803
<b>J66</b>	4166 Charcoal forbo lino top with edge band <input type="checkbox"/>	+\$1803
<b>J72</b>	4172 Mauve forbo lino top with edge band <input type="checkbox"/>	+\$1803
<b>J74</b>	4174 Conifer forbo lino top with edge band <input type="checkbox"/>	+\$1803
<b>J75</b>	4175 Pebble forbo lino top with edge band <input type="checkbox"/>	+\$1803
<b>J76</b>	4176 Mushroom forbo lino top with edge band <input type="checkbox"/>	+\$1803
<b>J77</b>	4177 Vapour forbo lino top with edge band <input type="checkbox"/>	+\$1803
<b>J78</b>	4178 Iron forbo lino top with edge band <input type="checkbox"/>	+\$1803
<b>J79</b>	4179 Smokey Blue forbo lino top with edge band <input type="checkbox"/>	+\$1803
<b>J80</b>	4180 Aquavert forbo lino top with edge band <input type="checkbox"/>	+\$1803
<b>J81</b>	4181 Midnight Blue forbo lino top with edge band <input type="checkbox"/>	+\$1803
<b>J82</b>	4182 Spring Green forbo lino top with edge band <input type="checkbox"/>	+\$1803
<b>J83</b>	4183 Pistachio forbo lino top with edge band <input type="checkbox"/>	+\$1803
<b>J84</b>	4184 Olive forbo lino top with edge band <input type="checkbox"/>	+\$1803
<b>J85</b>	4185 Powder forbo lino top with edge band <input type="checkbox"/>	+\$1803
<b>J86</b>	4186 Orange Blast forbo lino top with edge band <input type="checkbox"/>	+\$1803

*For rectangular meeting table - 3000w x 1000d (30R)*

<b>BSE</b>	black MFMDF top with edge band <input type="checkbox"/>	+\$0
<b>WSE</b>	white MFMDF top with edge band <input type="checkbox"/>	+\$0
<b>OKE</b>	oak veneer top with edge band <input type="checkbox"/>	+\$2060
<b>J23</b>	4023 Nero forbo lino top with edge band <input type="checkbox"/>	+\$2927
<b>J32</b>	4132 Ash forbo lino top with edge band <input type="checkbox"/>	+\$2927
<b>J55</b>	4155 Pewter forbo lino top with edge band <input type="checkbox"/>	+\$2927
<b>J57</b>	4157 Pearl forbo lino top with edge band <input type="checkbox"/>	+\$2927
<b>J64</b>	4164 Salsa forbo lino top with edge band <input type="checkbox"/>	+\$2927
<b>J66</b>	4166 Charcoal forbo lino top with edge band <input type="checkbox"/>	+\$2927
<b>J72</b>	4172 Mauve forbo lino top with edge band <input type="checkbox"/>	+\$2927
<b>J74</b>	4174 Conifer forbo lino top with edge band <input type="checkbox"/>	+\$2927
<b>J75</b>	4175 Pebble forbo lino top with edge band <input type="checkbox"/>	+\$2927
<b>J76</b>	4176 Mushroom forbo lino top with edge band <input type="checkbox"/>	+\$2927
<b>J77</b>	4177 Vapour forbo lino top with edge band <input type="checkbox"/>	+\$2927
<b>J78</b>	4178 Iron forbo lino top with edge band <input type="checkbox"/>	+\$2927
<b>J79</b>	4179 Smokey Blue forbo lino top with edge band <input type="checkbox"/>	+\$2927
<b>J80</b>	4180 Aquavert forbo lino top with edge band <input type="checkbox"/>	+\$2927
<b>J81</b>	4181 Midnight Blue forbo lino top with edge band <input type="checkbox"/>	+\$2927
<b>J82</b>	4182 Spring Green forbo lino top with edge band <input type="checkbox"/>	+\$2927
<b>J83</b>	4183 Pistachio forbo lino top with edge band <input type="checkbox"/>	+\$2927
<b>J84</b>	4184 Olive forbo lino top with edge band <input type="checkbox"/>	+\$2927
<b>J85</b>	4185 Powder forbo lino top with edge band <input type="checkbox"/>	+\$2927
<b>J86</b>	4186 Orange Blast forbo lino top with edge band <input type="checkbox"/>	+\$2927



# Morse 39.5" Deep Meeting Table

continued

*For radius corner meeting table - 3000w x 1000d (30D)*

<b>BSE</b>	black MFMDF top with edge band <input type="checkbox"/>	+\$0
<b>WSE</b>	white MFMDF top with edge band <input type="checkbox"/>	+\$0
<b>OKE</b>	oak veneer top with edge band <input type="checkbox"/>	+\$2060
<b>J23</b>	4023 Nero forbo lino top with edge band <input type="checkbox"/>	+\$2927
<b>J32</b>	4132 Ash forbo lino top with edge band <input type="checkbox"/>	+\$2927
<b>J55</b>	4155 Pewter forbo lino top with edge band <input type="checkbox"/>	+\$2927
<b>J57</b>	4157 Pearl forbo lino top with edge band <input type="checkbox"/>	+\$2927
<b>J64</b>	4164 Salsa forbo lino top with edge band <input type="checkbox"/>	+\$2927
<b>J66</b>	4166 Charcoal forbo lino top with edge band <input type="checkbox"/>	+\$2927
<b>J72</b>	4172 Mauve forbo lino top with edge band <input type="checkbox"/>	+\$2927
<b>J74</b>	4174 Conifer forbo lino top with edge band <input type="checkbox"/>	+\$2927
<b>J75</b>	4175 Pebble forbo lino top with edge band <input type="checkbox"/>	+\$2927
<b>J76</b>	4176 Mushroom forbo lino top with edge band <input type="checkbox"/>	+\$2927
<b>J77</b>	4177 Vapour forbo lino top with edge band <input type="checkbox"/>	+\$2927
<b>J78</b>	4178 Iron forbo lino top with edge band <input type="checkbox"/>	+\$2927
<b>J79</b>	4179 Smokey Blue forbo lino top with edge band <input type="checkbox"/>	+\$2927
<b>J80</b>	4180 Aquavert forbo lino top with edge band <input type="checkbox"/>	+\$2927
<b>J81</b>	4181 Midnight Blue forbo lino top with edge band <input type="checkbox"/>	+\$2927
<b>J82</b>	4182 Spring Green forbo lino top with edge band <input type="checkbox"/>	+\$2927
<b>J83</b>	4183 Pistachio forbo lino top with edge band <input type="checkbox"/>	+\$2927
<b>J84</b>	4184 Olive forbo lino top with edge band <input type="checkbox"/>	+\$2927
<b>J85</b>	4185 Powder forbo lino top with edge band <input type="checkbox"/>	+\$2927
<b>J86</b>	4186 Orange Blast forbo lino top with edge band <input type="checkbox"/>	+\$2927

Step 8. Dot Power Port Finish

*For no dot power port, no cable management (A)*

<b>N</b>	no selection necessary <input type="checkbox"/>	+\$0
----------	---	------

*For one dot power port, cable tray, no cable managed leg (B) or one dot power port, comes with cable tray and cable managed leg (Y)*

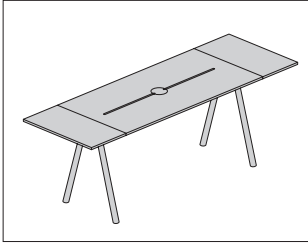
<b>R00</b>	black RAL 9005 <input type="checkbox"/>	+\$0
<b>R14</b>	signal white RAL9003 <input type="checkbox"/>	+\$0
<b>R02</b>	stone grey RAL 7030 <input type="checkbox"/>	+\$0
<b>R03</b>	silver - RAL 9006 <input type="checkbox"/>	+\$0
<b>R08</b>	traffic orange RAL 2009 <input type="checkbox"/>	+\$0
<b>R13</b>	pastel blue RAL 5024 <input type="checkbox"/>	+\$0
<b>R23</b>	black grey RAL 7021 <input type="checkbox"/>	+\$0
<b>R24</b>	leaf green RAL 6002 <input type="checkbox"/>	+\$0
<b>R25</b>	pale green RAL 6021 <input type="checkbox"/>	+\$0
<b>R26</b>	RAL 3020 red <input type="checkbox"/>	+\$0
<b>R28</b>	light pink RAL 3015 <input type="checkbox"/>	+\$0
<b>R29</b>	dark blue RAL 5001 <input type="checkbox"/>	+\$0
<b>R30</b>	oyster RAL 1013 <input type="checkbox"/>	+\$0
<b>R38</b>	broom yellow RAL 1032 <input type="checkbox"/>	+\$0
<b>R39</b>	moss green RAL 6005 <input type="checkbox"/>	+\$0
<b>R40</b>	steel blue RAL 5011 <input type="checkbox"/>	+\$0

*For two dot power ports, cable tray, no cable managed leg (C) or two dot power ports, cable tray and cable managed leg (Z)*

<b>R00</b>	black RAL 9005 <input type="checkbox"/>	+\$0
<b>R14</b>	signal white RAL9003 <input type="checkbox"/>	+\$0
<b>R02</b>	stone grey RAL 7030 <input type="checkbox"/>	+\$0
<b>R03</b>	silver - RAL 9006 <input type="checkbox"/>	+\$0
<b>R08</b>	traffic orange RAL 2009 <input type="checkbox"/>	+\$0
<b>R13</b>	pastel blue RAL 5024 <input type="checkbox"/>	+\$0
<b>R23</b>	black grey RAL 7021 <input type="checkbox"/>	+\$0
<b>R24</b>	leaf green RAL 6002 <input type="checkbox"/>	+\$0
<b>R25</b>	pale green RAL 6021 <input type="checkbox"/>	+\$0
<b>R26</b>	RAL 3020 red <input type="checkbox"/>	+\$0
<b>R28</b>	light pink RAL 3015 <input type="checkbox"/>	+\$0
<b>R29</b>	dark blue RAL 5001 <input type="checkbox"/>	+\$0
<b>R30</b>	oyster RAL 1013 <input type="checkbox"/>	+\$0
<b>R38</b>	broom yellow RAL 1032 <input type="checkbox"/>	+\$0
<b>R39</b>	moss green RAL 6005 <input type="checkbox"/>	+\$0
<b>R40</b>	steel blue RAL 5011 <input type="checkbox"/>	+\$0

# Morse Bar Height 39.5" Deep Meeting Table NOMSB

NaughtOne® Meeting Tables



## Product Information

### Description

This table has a laser cut and folded mild steel underframe, finished with polyester powder coat. Legs come in either powder coated mild steel, or solid wood finished in a clear lacquer. Tops are available in a variety of materials and finishes. Fixed height legs provide 3/4" of leveling adjustment. Product is delivered unassembled.

### Notes

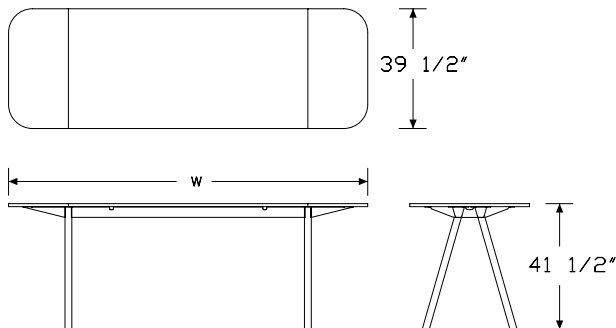
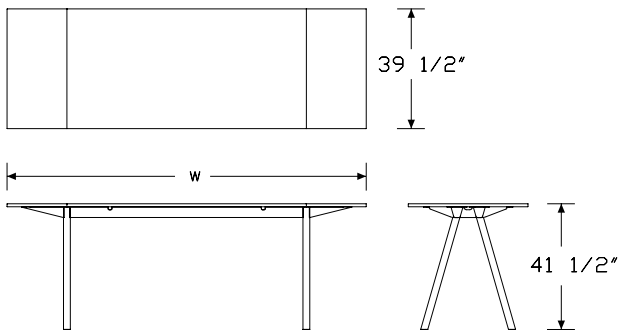
When specified with a cable managed leg, a standard leg is replaced with a version that has an aperture to guide a cable from table top to floor. Cable managed leg can be used in any leg position.

When specified with dot power ports, table tops are also provided with a machined accessories channel. This does not apply to bar height rectangular meeting table 2000w x 1000d (20R), which comes with the dot power port only.

Morse power units (NOMSPWR) which are suited to the dot power ports are ordered separately.

Dimensional illustration does not contain all configurations.

## Dimensions



## Specification Information

### Step 1.

**NOMSB5**

### Step 2. Type

<b>20R</b>	bar height rectangular meeting table - 2000w x 1000d	<input type="checkbox"/>	+\$3933
<b>24R</b>	bar height rectangular meeting table - 2400w x 1000d	<input type="checkbox"/>	+\$4326
<b>30R</b>	bar height rectangular meeting table - 3000w x 1000d	<input type="checkbox"/>	+\$6882
<b>30D</b>	bar height radius corner meeting table - 3000w x 1000d	<input type="checkbox"/>	+\$6882

### Step 3. Cable Management

*For bar height rectangular meeting table - 2000w x 1000d (20R) or bar height rectangular meeting table - 2400w x 1000d (24R)*

<b>A</b>	no dot power port, no cable management	<input type="checkbox"/>	+\$0
<b>B</b>	one dot power port, cable tray, no cable managed leg	<input type="checkbox"/>	+\$640
<b>Y</b>	one dot power port, comes with cable tray and cable managed leg	<input type="checkbox"/>	+\$934

*For bar height rectangular meeting table - 3000w x 1000d (30R) or bar height radius corner meeting table - 3000w x 1000d (30D)*

<b>A</b>	no dot power port, no cable management	<input type="checkbox"/>	+\$0
<b>B</b>	one dot power port, cable tray, no cable managed leg	<input type="checkbox"/>	+\$640
<b>C</b>	two dot power ports, cable tray, no cable managed leg	<input type="checkbox"/>	+\$836
<b>Y</b>	one dot power port, comes with cable tray and cable managed leg	<input type="checkbox"/>	+\$934
<b>Z</b>	two dot power ports, cable tray and cable managed leg	<input type="checkbox"/>	+\$1130

### Step 4. Leg Material

<b>W</b>	wood	<input type="checkbox"/>	+\$0
<b>S</b>	steel	<input type="checkbox"/>	+\$0

### Step 5. Leg Finish

*For wood (W)*

<b>OAK</b>	oak	<input type="checkbox"/>	+\$302
------------	-----	--------------------------	--------

Morse Bar Height 39.5" Deep Meeting  
Table *continued*

For steel (S)

R00	black RAL 9005	A	+\$0
R14	signal white RAL9003	A	+\$0
R02	stone grey RAL 7030	A	+\$302
R03	silver - RAL 9006	A	+\$302
R08	traffic orange RAL 2009	A	+\$302
R13	pastel blue RAL 5024	A	+\$302
R23	black grey RAL 7021	A	+\$302
R24	leaf green RAL 6002	A	+\$302
R25	pale green RAL 6021	A	+\$302
R26	RAL 3020 red	A	+\$302
R28	light pink RAL 3015	A	+\$302
R29	dark blue RAL 5001	A	+\$302
R30	oyster RAL 1013	A	+\$302
R38	broom yellow RAL 1032	A	+\$302
R39	moss green RAL 6005	A	+\$302
R40	steel blue RAL 5011	A	+\$302

Step 6. Under-Frame Finish

R00	black RAL 9005	A	+\$0
R14	signal white RAL9003	A	+\$0
R02	stone grey RAL 7030	A	+\$454
R03	silver - RAL 9006	A	+\$454
R08	traffic orange RAL 2009	A	+\$454
R13	pastel blue RAL 5024	A	+\$454
R23	black grey RAL 7021	A	+\$454
R24	leaf green RAL 6002	A	+\$454
R25	pale green RAL 6021	A	+\$454
R26	RAL 3020 red	A	+\$454
R28	light pink RAL 3015	A	+\$454
R29	dark blue RAL 5001	A	+\$454
R30	oyster RAL 1013	A	+\$454
R38	broom yellow RAL 1032	A	+\$454
R39	moss green RAL 6005	A	+\$454
R40	steel blue RAL 5011	A	+\$454

Step 7. Surface Finish

For bar height rectangular meeting table - 2000w x 1000d (20R)

BSE	black MFMDf top with edge band	A	+\$0
WSE	white MFMDf top with edge band	A	+\$0
OKE	oak veneer top with edge band	A	+\$1220
J23	4023 Nero forbo lino top with edge band	A	+\$1482
J32	4132 Ash forbo lino top with edge band	A	+\$1482
J55	4155 Pewter forbo lino top with edge band	A	+\$1482
J57	4157 Pearl forbo lino top with edge band	A	+\$1482
J64	4164 Salsa forbo lino top with edge band	A	+\$1482
J66	4166 Charcoal forbo lino top with edge band	A	+\$1482
J72	4172 Mauve forbo lino top with edge band	A	+\$1482
J74	4174 Conifer forbo lino top with edge band	A	+\$1482
J75	4175 Pebble forbo lino top with edge band	A	+\$1482
J76	4176 Mushroom forbo lino top with edge band	A	+\$1482
J77	4177 Vapour forbo lino top with edge band	A	+\$1482
J78	4178 Iron forbo lino top with edge band	A	+\$1482
J79	4179 Smokey Blue forbo lino top with edge band	A	+\$1482
J80	4180 Aquavert forbo lino top with edge band	A	+\$1482
J81	4181 Midnight Blue forbo lino top with edge band	A	+\$1482
J82	4182 Spring Green forbo lino top with edge band	A	+\$1482
J83	4183 Pistachio forbo lino top with edge band	A	+\$1482
J84	4184 Olive forbo lino top with edge band	A	+\$1482
J85	4185 Powder forbo lino top with edge band	A	+\$1482
J86	4186 Orange Blast forbo lino top with edge band	A	+\$1482

Morse Bar Height 39.5" Deep Meeting Table *continued*

NaughtOne® Meeting Tables

*For bar height rectangular meeting table - 2400w x 1000d (24R)*

<b>BSE</b>	black MFMDf top with edge band <input type="checkbox"/>	+\$0
<b>WSE</b>	white MFMDf top with edge band <input type="checkbox"/>	+\$0
<b>OKE</b>	oak veneer top with edge band <input type="checkbox"/>	+\$1182
<b>J23</b>	4023 Nero forbo lino top with edge band <input type="checkbox"/>	+\$1803
<b>J32</b>	4132 Ash forbo lino top with edge band <input type="checkbox"/>	+\$1803
<b>J55</b>	4155 Pewter forbo lino top with edge band <input type="checkbox"/>	+\$1803
<b>J57</b>	4157 Pearl forbo lino top with edge band <input type="checkbox"/>	+\$1803
<b>J64</b>	4164 Salsa forbo lino top with edge band <input type="checkbox"/>	+\$1803
<b>J66</b>	4166 Charcoal forbo lino top with edge band <input type="checkbox"/>	+\$1803
<b>J72</b>	4172 Mauve forbo lino top with edge band <input type="checkbox"/>	+\$1803
<b>J74</b>	4174 Conifer forbo lino top with edge band <input type="checkbox"/>	+\$1803
<b>J75</b>	4175 Pebble forbo lino top with edge band <input type="checkbox"/>	+\$1803
<b>J76</b>	4176 Mushroom forbo lino top with edge band <input type="checkbox"/>	+\$1803
<b>J77</b>	4177 Vapour forbo lino top with edge band <input type="checkbox"/>	+\$1803
<b>J78</b>	4178 Iron forbo lino top with edge band <input type="checkbox"/>	+\$1803
<b>J79</b>	4179 Smokey Blue forbo lino top with edge band <input type="checkbox"/>	+\$1803
<b>J80</b>	4180 Aquavert forbo lino top with edge band <input type="checkbox"/>	+\$1803
<b>J81</b>	4181 Midnight Blue forbo lino top with edge band <input type="checkbox"/>	+\$1803
<b>J82</b>	4182 Spring Green forbo lino top with edge band <input type="checkbox"/>	+\$1803
<b>J83</b>	4183 Pistachio forbo lino top with edge band <input type="checkbox"/>	+\$1803
<b>J84</b>	4184 Olive forbo lino top with edge band <input type="checkbox"/>	+\$1803
<b>J85</b>	4185 Powder forbo lino top with edge band <input type="checkbox"/>	+\$1803
<b>J86</b>	4186 Orange Blast forbo lino top with edge band <input type="checkbox"/>	+\$1803

*For bar height rectangular meeting table - 3000w x 1000d (30R)*

<b>BSE</b>	black MFMDf top with edge band <input type="checkbox"/>	+\$0
<b>WSE</b>	white MFMDf top with edge band <input type="checkbox"/>	+\$0
<b>OKE</b>	oak veneer top with edge band <input type="checkbox"/>	+\$2060
<b>J23</b>	4023 Nero forbo lino top with edge band <input type="checkbox"/>	+\$2927
<b>J32</b>	4132 Ash forbo lino top with edge band <input type="checkbox"/>	+\$2927
<b>J55</b>	4155 Pewter forbo lino top with edge band <input type="checkbox"/>	+\$2927
<b>J57</b>	4157 Pearl forbo lino top with edge band <input type="checkbox"/>	+\$2927
<b>J64</b>	4164 Salsa forbo lino top with edge band <input type="checkbox"/>	+\$2927
<b>J66</b>	4166 Charcoal forbo lino top with edge band <input type="checkbox"/>	+\$2927
<b>J72</b>	4172 Mauve forbo lino top with edge band <input type="checkbox"/>	+\$2927
<b>J74</b>	4174 Conifer forbo lino top with edge band <input type="checkbox"/>	+\$2927
<b>J75</b>	4175 Pebble forbo lino top with edge band <input type="checkbox"/>	+\$2927
<b>J76</b>	4176 Mushroom forbo lino top with edge band <input type="checkbox"/>	+\$2927
<b>J77</b>	4177 Vapour forbo lino top with edge band <input type="checkbox"/>	+\$2927
<b>J78</b>	4178 Iron forbo lino top with edge band <input type="checkbox"/>	+\$2927
<b>J79</b>	4179 Smokey Blue forbo lino top with edge band <input type="checkbox"/>	+\$2927
<b>J80</b>	4180 Aquavert forbo lino top with edge band <input type="checkbox"/>	+\$2927
<b>J81</b>	4181 Midnight Blue forbo lino top with edge band <input type="checkbox"/>	+\$2927
<b>J82</b>	4182 Spring Green forbo lino top with edge band <input type="checkbox"/>	+\$2927
<b>J83</b>	4183 Pistachio forbo lino top with edge band <input type="checkbox"/>	+\$2927
<b>J84</b>	4184 Olive forbo lino top with edge band <input type="checkbox"/>	+\$2927
<b>J85</b>	4185 Powder forbo lino top with edge band <input type="checkbox"/>	+\$2927
<b>J86</b>	4186 Orange Blast forbo lino top with edge band <input type="checkbox"/>	+\$2927

# Morse Bar Height 39.5" Deep Meeting Table *continued*

*For bar height radius corner meeting table - 3000w x 1000d (30D)*

<b>BSE</b>	black MFMDF top with edge band <input type="checkbox"/> A	+\$0
<b>WSE</b>	white MFMDF top with edge band <input type="checkbox"/> A	+\$0
<b>OKE</b>	oak veneer top with edge band <input type="checkbox"/> A	+\$2060
<b>J23</b>	4023 Nero forbo lino top with edge band <input type="checkbox"/> A	+\$2927
<b>J32</b>	4132 Ash forbo lino top with edge band <input type="checkbox"/> A	+\$2927
<b>J55</b>	4155 Pewter forbo lino top with edge band <input type="checkbox"/> A	+\$2927
<b>J57</b>	4157 Pearl forbo lino top with edge band <input type="checkbox"/> A	+\$2927
<b>J64</b>	4164 Salsa forbo lino top with edge band <input type="checkbox"/> A	+\$2927
<b>J66</b>	4166 Charcoal forbo lino top with edge band <input type="checkbox"/> A	+\$2927
<b>J72</b>	4172 Mauve forbo lino top with edge band <input type="checkbox"/> A	+\$2927
<b>J74</b>	4174 Conifer forbo lino top with edge band <input type="checkbox"/> A	+\$2927
<b>J75</b>	4175 Pebble forbo lino top with edge band <input type="checkbox"/> A	+\$2927
<b>J76</b>	4176 Mushroom forbo lino top with edge band <input type="checkbox"/> A	+\$2927
<b>J77</b>	4177 Vapour forbo lino top with edge band <input type="checkbox"/> A	+\$2927
<b>J78</b>	4178 Iron forbo lino top with edge band <input type="checkbox"/> A	+\$2927
<b>J79</b>	4179 Smokey Blue forbo lino top with edge band <input type="checkbox"/> A	+\$2927
<b>J80</b>	4180 Aquavert forbo lino top with edge band <input type="checkbox"/> A	+\$2927
<b>J81</b>	4181 Midnight Blue forbo lino top with edge band <input type="checkbox"/> A	+\$2927
<b>J82</b>	4182 Spring Green forbo lino top with edge band <input type="checkbox"/> A	+\$2927
<b>J83</b>	4183 Pistachio forbo lino top with edge band <input type="checkbox"/> A	+\$2927
<b>J84</b>	4184 Olive forbo lino top with edge band <input type="checkbox"/> A	+\$2927
<b>J85</b>	4185 Powder forbo lino top with edge band <input type="checkbox"/> A	+\$2927
<b>J86</b>	4186 Orange Blast forbo lino top with edge band <input type="checkbox"/> A	+\$2927

## Step 8. Dot Power Port Finish

*For no dot power port, no cable management (A)*

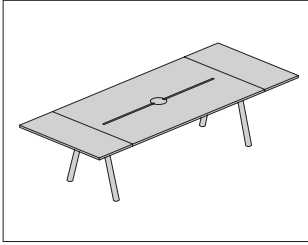
<b>N</b>	no selection necessary <input type="checkbox"/> A	+\$0
----------	---	------

*For one dot power port, cable tray, no cable managed leg (B) or one dot power port, comes with cable tray and cable managed leg (Y)*

<b>R00</b>	black RAL 9005 <input type="checkbox"/> A	+\$0
<b>R14</b>	signal white RAL9003 <input type="checkbox"/> A	+\$0
<b>R02</b>	stone grey RAL 7030 <input type="checkbox"/> A	+\$0
<b>R03</b>	silver - RAL 9006 <input type="checkbox"/> A	+\$0
<b>R08</b>	traffic orange RAL 2009 <input type="checkbox"/> A	+\$0
<b>R13</b>	pastel blue RAL 5024 <input type="checkbox"/> A	+\$0
<b>R23</b>	black grey RAL 7021 <input type="checkbox"/> A	+\$0
<b>R24</b>	leaf green RAL 6002 <input type="checkbox"/> A	+\$0
<b>R25</b>	pale green RAL 6021 <input type="checkbox"/> A	+\$0
<b>R26</b>	RAL 3020 red <input type="checkbox"/> A	+\$0
<b>R28</b>	light pink RAL 3015 <input type="checkbox"/> A	+\$0
<b>R29</b>	dark blue RAL 5001 <input type="checkbox"/> A	+\$0
<b>R30</b>	oyster RAL 1013 <input type="checkbox"/> A	+\$0
<b>R38</b>	broom yellow RAL 1032 <input type="checkbox"/> A	+\$0
<b>R39</b>	moss green RAL 6005 <input type="checkbox"/> A	+\$0
<b>R40</b>	steel blue RAL 5011 <input type="checkbox"/> A	+\$0

*For two dot power ports, cable tray, no cable managed leg (C) or two dot power ports, cable tray and cable managed leg (Z)*

<b>R00</b>	black RAL 9005 <input type="checkbox"/> A	+\$0
<b>R14</b>	signal white RAL9003 <input type="checkbox"/> A	+\$0
<b>R02</b>	stone grey RAL 7030 <input type="checkbox"/> A	+\$0
<b>R03</b>	silver - RAL 9006 <input type="checkbox"/> A	+\$0
<b>R08</b>	traffic orange RAL 2009 <input type="checkbox"/> A	+\$0
<b>R13</b>	pastel blue RAL 5024 <input type="checkbox"/> A	+\$0
<b>R23</b>	black grey RAL 7021 <input type="checkbox"/> A	+\$0
<b>R24</b>	leaf green RAL 6002 <input type="checkbox"/> A	+\$0
<b>R25</b>	pale green RAL 6021 <input type="checkbox"/> A	+\$0
<b>R26</b>	RAL 3020 red <input type="checkbox"/> A	+\$0
<b>R28</b>	light pink RAL 3015 <input type="checkbox"/> A	+\$0
<b>R29</b>	dark blue RAL 5001 <input type="checkbox"/> A	+\$0
<b>R30</b>	oyster RAL 1013 <input type="checkbox"/> A	+\$0
<b>R38</b>	broom yellow RAL 1032 <input type="checkbox"/> A	+\$0
<b>R39</b>	moss green RAL 6005 <input type="checkbox"/> A	+\$0
<b>R40</b>	steel blue RAL 5011 <input type="checkbox"/> A	+\$0



**Product Information**

**Description**

This table has a laser cut and folded mild steel underframe, finished with polyester powder coat. Legs come in either powder coated mild steel, or solid wood finished in a clear lacquer. Tops are available in a variety of materials and finishes. Fixed height legs provide 3/4" of leveling adjustment. Product is delivered unassembled.

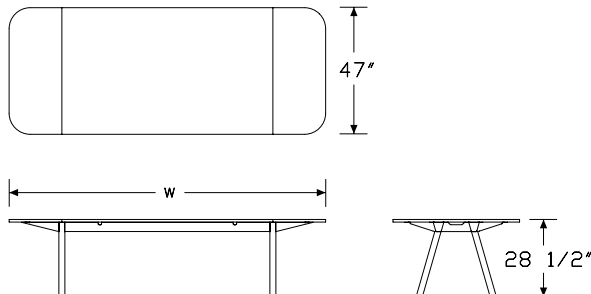
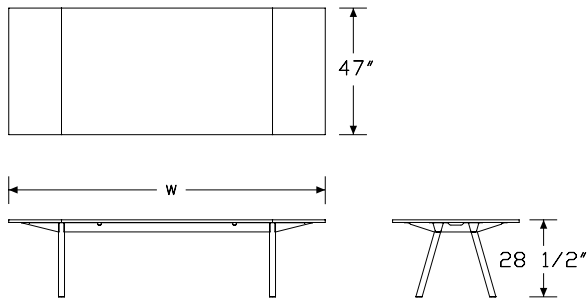
**Notes**

When specified with a cable managed leg, a standard leg is replaced with a version that has an aperture to guide a cable from table top to floor. Cable managed leg can be used in any leg position.

When specified with dot power ports, table tops are also provided with a machined accessories channel. This does not apply to rectangular meeting table 2000w x 1200d (20R), which comes with the dot power port only. Morse power units (NOMSPWR) which are suited to the dot power ports are ordered separately.

Dimensional illustration does not contain all configurations.

**Dimensions**



**Specification Information**

**Step 1.**

**NOMSC3** [A]

**Step 2. Type**

<b>20R</b>	rectangular meeting table - 2000w x 1200d	[A]	+\$4324
<b>24R</b>	rectangular meeting table - 2400w x 1200d	[A]	+\$4717
<b>30R</b>	rectangular meeting table - 3000w x 1200d	[A]	+\$7273
<b>30D</b>	radius corner meeting table - 3000w x 1200d	[A]	+\$7273

**Step 3. Cable Management**

*For rectangular meeting table - 2000w x 1200d (20R) or rectangular meeting table - 2400w x 1200d (24R)*

<b>A</b>	no dot power port, no cable management	[A]	+\$0
<b>B</b>	one dot power port, cable tray, no cable managed leg	[A]	+\$640
<b>Y</b>	one dot power port, comes with cable tray and cable managed leg	[A]	+\$934

*For rectangular meeting table - 3000w x 1200d (30R) or radius corner meeting table - 3000w x 1200d (30D)*

<b>A</b>	no dot power port, no cable management	[A]	+\$0
<b>B</b>	one dot power port, cable tray, no cable managed leg	[A]	+\$640
<b>C</b>	two dot power ports, cable tray, no cable managed leg	[A]	+\$836
<b>Y</b>	one dot power port, comes with cable tray and cable managed leg	[A]	+\$934
<b>Z</b>	two dot power ports, cable tray and cable managed leg	[A]	+\$1130

**Step 4. Leg Material**

<b>W</b>	wood	[A]	+\$0
<b>S</b>	steel	[A]	+\$0

**Step 5. Leg Finish**

*For wood (W)*

<b>OAK</b>	oak	[A]	+\$302
------------	-----	-----	--------

# Morse 47" Deep Meeting Table

continued

## For steel (S)

<b>R00</b>	black RAL 9005 <input type="checkbox"/>	+\$0
<b>R14</b>	signal white RAL9003 <input type="checkbox"/>	+\$0
<b>R02</b>	stone grey RAL 7030 <input type="checkbox"/>	+\$302
<b>R03</b>	silver - RAL 9006 <input type="checkbox"/>	+\$302
<b>R08</b>	traffic orange RAL 2009 <input type="checkbox"/>	+\$302
<b>R13</b>	pastel blue RAL 5024 <input type="checkbox"/>	+\$302
<b>R23</b>	black grey RAL 7021 <input type="checkbox"/>	+\$302
<b>R24</b>	leaf green RAL 6002 <input type="checkbox"/>	+\$302
<b>R25</b>	pale green RAL 6021 <input type="checkbox"/>	+\$302
<b>R26</b>	RAL 3020 red <input type="checkbox"/>	+\$302
<b>R28</b>	light pink RAL 3015 <input type="checkbox"/>	+\$302
<b>R29</b>	dark blue RAL 5001 <input type="checkbox"/>	+\$302
<b>R30</b>	oyster RAL 1013 <input type="checkbox"/>	+\$302
<b>R38</b>	broom yellow RAL 1032 <input type="checkbox"/>	+\$302
<b>R39</b>	moss green RAL 6005 <input type="checkbox"/>	+\$302
<b>R40</b>	steel blue RAL 5011 <input type="checkbox"/>	+\$302

## Step 6. Under-Frame Finish

<b>R00</b>	black RAL 9005 <input type="checkbox"/>	+\$0
<b>R14</b>	signal white RAL9003 <input type="checkbox"/>	+\$0
<b>R02</b>	stone grey RAL 7030 <input type="checkbox"/>	+\$454
<b>R03</b>	silver - RAL 9006 <input type="checkbox"/>	+\$454
<b>R08</b>	traffic orange RAL 2009 <input type="checkbox"/>	+\$454
<b>R13</b>	pastel blue RAL 5024 <input type="checkbox"/>	+\$454
<b>R23</b>	black grey RAL 7021 <input type="checkbox"/>	+\$454
<b>R24</b>	leaf green RAL 6002 <input type="checkbox"/>	+\$454
<b>R25</b>	pale green RAL 6021 <input type="checkbox"/>	+\$454
<b>R26</b>	RAL 3020 red <input type="checkbox"/>	+\$454
<b>R28</b>	light pink RAL 3015 <input type="checkbox"/>	+\$454
<b>R29</b>	dark blue RAL 5001 <input type="checkbox"/>	+\$454
<b>R30</b>	oyster RAL 1013 <input type="checkbox"/>	+\$454
<b>R38</b>	broom yellow RAL 1032 <input type="checkbox"/>	+\$454
<b>R39</b>	moss green RAL 6005 <input type="checkbox"/>	+\$454
<b>R40</b>	steel blue RAL 5011 <input type="checkbox"/>	+\$454

## Step 7. Surface Finish

### For rectangular meeting table - 2000w x 1200d (20R)

<b>BSE</b>	black MF MDF top with edge band <input type="checkbox"/>	+\$0
<b>WSE</b>	white MF MDF top with edge band <input type="checkbox"/>	+\$0
<b>OKE</b>	oak veneer top with edge band <input type="checkbox"/>	+\$1068
<b>J23</b>	4023 Nero forbo lino top with edge band <input type="checkbox"/>	+\$1348
<b>J32</b>	4132 Ash forbo lino top with edge band <input type="checkbox"/>	+\$1348
<b>J55</b>	4155 Pewter forbo lino top with edge band <input type="checkbox"/>	+\$1348
<b>J57</b>	4157 Pearl forbo lino top with edge band <input type="checkbox"/>	+\$1348
<b>J64</b>	4164 Salsa forbo lino top with edge band <input type="checkbox"/>	+\$1348
<b>J66</b>	4166 Charcoal forbo lino top with edge band <input type="checkbox"/>	+\$1348
<b>J72</b>	4172 Mauve forbo lino top with edge band <input type="checkbox"/>	+\$1348
<b>J74</b>	4174 Conifer forbo lino top with edge band <input type="checkbox"/>	+\$1348
<b>J75</b>	4175 Pebble forbo lino top with edge band <input type="checkbox"/>	+\$1348
<b>J76</b>	4176 Mushroom forbo lino top with edge band <input type="checkbox"/>	+\$1348
<b>J77</b>	4177 Vapour forbo lino top with edge band <input type="checkbox"/>	+\$1348
<b>J78</b>	4178 Iron forbo lino top with edge band <input type="checkbox"/>	+\$1348
<b>J79</b>	4179 Smokey Blue forbo lino top with edge band <input type="checkbox"/>	+\$1348
<b>J80</b>	4180 Aquavert forbo lino top with edge band <input type="checkbox"/>	+\$1348
<b>J81</b>	4181 Midnight Blue forbo lino top with edge band <input type="checkbox"/>	+\$1348
<b>J82</b>	4182 Spring Green forbo lino top with edge band <input type="checkbox"/>	+\$1348
<b>J83</b>	4183 Pistachio forbo lino top with edge band <input type="checkbox"/>	+\$1348
<b>J84</b>	4184 Olive forbo lino top with edge band <input type="checkbox"/>	+\$1348
<b>J85</b>	4185 Powder forbo lino top with edge band <input type="checkbox"/>	+\$1348
<b>J86</b>	4186 Orange Blast forbo lino top with edge band <input type="checkbox"/>	+\$1348

# Morse 47" Deep Meeting Table

continued

NaughtOne® Meeting Tables

*For rectangular meeting table - 2400w x 1200d (24R)*

<b>BSE</b>	black MFMDF top with edge band <input type="checkbox"/>	+\$0
<b>WSE</b>	white MFMDF top with edge band <input type="checkbox"/>	+\$0
<b>OKE</b>	oak veneer top with edge band <input type="checkbox"/>	+\$1106
<b>J23</b>	4023 Nero forbo lino top with edge band <input type="checkbox"/>	+\$1696
<b>J32</b>	4132 Ash forbo lino top with edge band <input type="checkbox"/>	+\$1696
<b>J55</b>	4155 Pewter forbo lino top with edge band <input type="checkbox"/>	+\$1696
<b>J57</b>	4157 Pearl forbo lino top with edge band <input type="checkbox"/>	+\$1696
<b>J64</b>	4164 Salsa forbo lino top with edge band <input type="checkbox"/>	+\$1696
<b>J66</b>	4166 Charcoal forbo lino top with edge band <input type="checkbox"/>	+\$1696
<b>J72</b>	4172 Mauve forbo lino top with edge band <input type="checkbox"/>	+\$1696
<b>J74</b>	4174 Conifer forbo lino top with edge band <input type="checkbox"/>	+\$1696
<b>J75</b>	4175 Pebble forbo lino top with edge band <input type="checkbox"/>	+\$1696
<b>J76</b>	4176 Mushroom forbo lino top with edge band <input type="checkbox"/>	+\$1696
<b>J77</b>	4177 Vapour forbo lino top with edge band <input type="checkbox"/>	+\$1696
<b>J78</b>	4178 Iron forbo lino top with edge band <input type="checkbox"/>	+\$1696
<b>J79</b>	4179 Smokey Blue forbo lino top with edge band <input type="checkbox"/>	+\$1696
<b>J80</b>	4180 Aquavert forbo lino top with edge band <input type="checkbox"/>	+\$1696
<b>J81</b>	4181 Midnight Blue forbo lino top with edge band <input type="checkbox"/>	+\$1696
<b>J82</b>	4182 Spring Green forbo lino top with edge band <input type="checkbox"/>	+\$1696
<b>J83</b>	4183 Pistachio forbo lino top with edge band <input type="checkbox"/>	+\$1696
<b>J84</b>	4184 Olive forbo lino top with edge band <input type="checkbox"/>	+\$1696
<b>J85</b>	4185 Powder forbo lino top with edge band <input type="checkbox"/>	+\$1696
<b>J86</b>	4186 Orange Blast forbo lino top with edge band <input type="checkbox"/>	+\$1696

*For rectangular meeting table - 3000w x 1200d (30R)*

<b>BSE</b>	black MFMDF top with edge band <input type="checkbox"/>	+\$0
<b>WSE</b>	white MFMDF top with edge band <input type="checkbox"/>	+\$0
<b>OKE</b>	oak veneer top with edge band <input type="checkbox"/>	+\$1833
<b>J23</b>	4023 Nero forbo lino top with edge band <input type="checkbox"/>	+\$2687
<b>J32</b>	4132 Ash forbo lino top with edge band <input type="checkbox"/>	+\$2687
<b>J55</b>	4155 Pewter forbo lino top with edge band <input type="checkbox"/>	+\$2687
<b>J57</b>	4157 Pearl forbo lino top with edge band <input type="checkbox"/>	+\$2687
<b>J64</b>	4164 Salsa forbo lino top with edge band <input type="checkbox"/>	+\$2687
<b>J66</b>	4166 Charcoal forbo lino top with edge band <input type="checkbox"/>	+\$2687
<b>J72</b>	4172 Mauve forbo lino top with edge band <input type="checkbox"/>	+\$2687
<b>J74</b>	4174 Conifer forbo lino top with edge band <input type="checkbox"/>	+\$2687
<b>J75</b>	4175 Pebble forbo lino top with edge band <input type="checkbox"/>	+\$2687
<b>J76</b>	4176 Mushroom forbo lino top with edge band <input type="checkbox"/>	+\$2687
<b>J77</b>	4177 Vapour forbo lino top with edge band <input type="checkbox"/>	+\$2687
<b>J78</b>	4178 Iron forbo lino top with edge band <input type="checkbox"/>	+\$2687
<b>J79</b>	4179 Smokey Blue forbo lino top with edge band <input type="checkbox"/>	+\$2687
<b>J80</b>	4180 Aquavert forbo lino top with edge band <input type="checkbox"/>	+\$2687
<b>J81</b>	4181 Midnight Blue forbo lino top with edge band <input type="checkbox"/>	+\$2687
<b>J82</b>	4182 Spring Green forbo lino top with edge band <input type="checkbox"/>	+\$2687
<b>J83</b>	4183 Pistachio forbo lino top with edge band <input type="checkbox"/>	+\$2687
<b>J84</b>	4184 Olive forbo lino top with edge band <input type="checkbox"/>	+\$2687
<b>J85</b>	4185 Powder forbo lino top with edge band <input type="checkbox"/>	+\$2687
<b>J86</b>	4186 Orange Blast forbo lino top with edge band <input type="checkbox"/>	+\$2687



# Morse 47" Deep Meeting Table

continued

*For radius corner meeting table - 3000w x 1200d (30D)*

<b>BSE</b>	black MFMDf top with edge band <input type="checkbox"/>	+\$0
<b>WSE</b>	white MFMDf top with edge band <input type="checkbox"/>	+\$0
<b>OKE</b>	oak veneer top with edge band <input type="checkbox"/>	+\$1833
<b>J23</b>	4023 Nero forbo lino top with edge band <input type="checkbox"/>	+\$2687
<b>J32</b>	4132 Ash forbo lino top with edge band <input type="checkbox"/>	+\$2687
<b>J55</b>	4155 Pewter forbo lino top with edge band <input type="checkbox"/>	+\$2687
<b>J57</b>	4157 Pearl forbo lino top with edge band <input type="checkbox"/>	+\$2687
<b>J64</b>	4164 Salsa forbo lino top with edge band <input type="checkbox"/>	+\$2687
<b>J66</b>	4166 Charcoal forbo lino top with edge band <input type="checkbox"/>	+\$2687
<b>J72</b>	4172 Mauve forbo lino top with edge band <input type="checkbox"/>	+\$2687
<b>J74</b>	4174 Conifer forbo lino top with edge band <input type="checkbox"/>	+\$2687
<b>J75</b>	4175 Pebble forbo lino top with edge band <input type="checkbox"/>	+\$2687
<b>J76</b>	4176 Mushroom forbo lino top with edge band <input type="checkbox"/>	+\$2687
<b>J77</b>	4177 Vapour forbo lino top with edge band <input type="checkbox"/>	+\$2687
<b>J78</b>	4178 Iron forbo lino top with edge band <input type="checkbox"/>	+\$2687
<b>J79</b>	4179 Smokey Blue forbo lino top with edge band <input type="checkbox"/>	+\$2687
<b>J80</b>	4180 Aquavert forbo lino top with edge band <input type="checkbox"/>	+\$2687
<b>J81</b>	4181 Midnight Blue forbo lino top with edge band <input type="checkbox"/>	+\$2687
<b>J82</b>	4182 Spring Green forbo lino top with edge band <input type="checkbox"/>	+\$2687
<b>J83</b>	4183 Pistachio forbo lino top with edge band <input type="checkbox"/>	+\$2687
<b>J84</b>	4184 Olive forbo lino top with edge band <input type="checkbox"/>	+\$2687
<b>J85</b>	4185 Powder forbo lino top with edge band <input type="checkbox"/>	+\$2687
<b>J86</b>	4186 Orange Blast forbo lino top with edge band <input type="checkbox"/>	+\$2687

Step 8. Dot Power Port Finish

*For no dot power port, no cable management (A)*

<b>N</b>	no selection necessary <input type="checkbox"/>	+\$0
----------	---	------

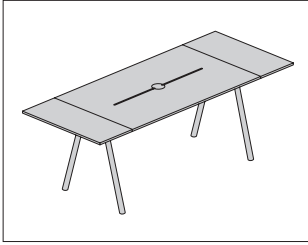
*For one dot power port, cable tray, no cable managed leg (B) or one dot power port, comes with cable tray and cable managed leg (Y)*

<b>R00</b>	black RAL 9005 <input type="checkbox"/>	+\$0
<b>R14</b>	signal white RAL9003 <input type="checkbox"/>	+\$0
<b>R02</b>	stone grey RAL 7030 <input type="checkbox"/>	+\$0
<b>R03</b>	silver - RAL 9006 <input type="checkbox"/>	+\$0
<b>R08</b>	traffic orange RAL 2009 <input type="checkbox"/>	+\$0
<b>R13</b>	pastel blue RAL 5024 <input type="checkbox"/>	+\$0
<b>R23</b>	black grey RAL 7021 <input type="checkbox"/>	+\$0
<b>R24</b>	leaf green RAL 6002 <input type="checkbox"/>	+\$0
<b>R25</b>	pale green RAL 6021 <input type="checkbox"/>	+\$0
<b>R26</b>	RAL 3020 red <input type="checkbox"/>	+\$0
<b>R28</b>	light pink RAL 3015 <input type="checkbox"/>	+\$0
<b>R29</b>	dark blue RAL 5001 <input type="checkbox"/>	+\$0
<b>R30</b>	oyster RAL 1013 <input type="checkbox"/>	+\$0
<b>R38</b>	broom yellow RAL 1032 <input type="checkbox"/>	+\$0
<b>R39</b>	moss green RAL 6005 <input type="checkbox"/>	+\$0
<b>R40</b>	steel blue RAL 5011 <input type="checkbox"/>	+\$0

*For two dot power ports, cable tray, no cable managed leg (C) or two dot power ports, cable tray and cable managed leg (Z)*

<b>R00</b>	black RAL 9005 <input type="checkbox"/>	+\$0
<b>R14</b>	signal white RAL9003 <input type="checkbox"/>	+\$0
<b>R02</b>	stone grey RAL 7030 <input type="checkbox"/>	+\$0
<b>R03</b>	silver - RAL 9006 <input type="checkbox"/>	+\$0
<b>R08</b>	traffic orange RAL 2009 <input type="checkbox"/>	+\$0
<b>R13</b>	pastel blue RAL 5024 <input type="checkbox"/>	+\$0
<b>R23</b>	black grey RAL 7021 <input type="checkbox"/>	+\$0
<b>R24</b>	leaf green RAL 6002 <input type="checkbox"/>	+\$0
<b>R25</b>	pale green RAL 6021 <input type="checkbox"/>	+\$0
<b>R26</b>	RAL 3020 red <input type="checkbox"/>	+\$0
<b>R28</b>	light pink RAL 3015 <input type="checkbox"/>	+\$0
<b>R29</b>	dark blue RAL 5001 <input type="checkbox"/>	+\$0
<b>R30</b>	oyster RAL 1013 <input type="checkbox"/>	+\$0
<b>R38</b>	broom yellow RAL 1032 <input type="checkbox"/>	+\$0
<b>R39</b>	moss green RAL 6005 <input type="checkbox"/>	+\$0
<b>R40</b>	steel blue RAL 5011 <input type="checkbox"/>	+\$0

Morse Bar Height 47" Deep Meeting Table NOMSC



NaughtOne® Meeting Tables

**Product Information**

**Description**

This table has a laser cut and folded mild steel underframe, finished with polyester powder coat. Legs come in either powder coated mild steel, or solid wood finished in a clear lacquer. Tops are available in a variety of materials and finishes. Fixed height legs provide 3/4" of leveling adjustment. Product is delivered unassembled.

**Notes**

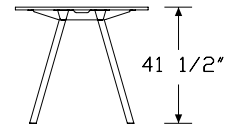
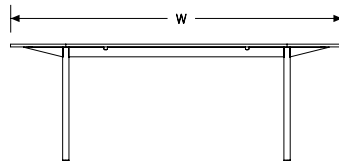
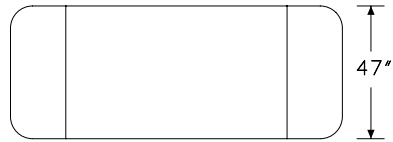
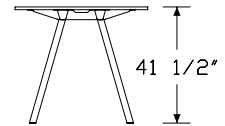
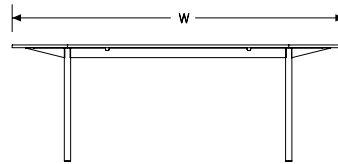
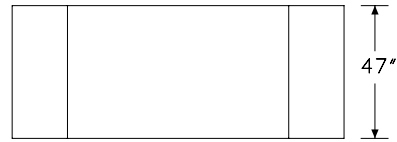
When specified with a cable managed leg, a standard leg is replaced with a version that has an aperture to guide a cable from table top to floor. Cable managed leg can be used in any leg position.

When specified with dot power ports, table tops are also provided with a machined accessories channel. This does not apply to bar height rectangular meeting table 2000w x 1200d (20R), which comes with the dot power port only.

Morse power units (NOMSPWR) which are suited to the dot power ports are ordered separately.

Dimensional illustration does not contain all configurations.

**Dimensions**



# Morse Bar Height 47" Deep Meeting Table *continued*

## Specification Information

### Step 1.

**NOMSC5**

### Step 2. Type

<b>20R</b>	bar height rectangular meeting table - 2000w x 1200d	<input type="checkbox"/>	+\$4523
<b>24R</b>	bar height rectangular meeting table - 2400w x 1200d	<input type="checkbox"/>	+\$4916
<b>30R</b>	bar height rectangular meeting table - 3000w x 1200d	<input type="checkbox"/>	+\$7471
<b>30D</b>	bar height radius corner meeting table - 3000w x 1200d	<input type="checkbox"/>	+\$7471

### Step 3. Cable Management

*For bar height rectangular meeting table - 2000w x 1200d (20R) or bar height rectangular meeting table - 2400w x 1200d (24R)*

<b>A</b>	no dot power port, no cable management	<input type="checkbox"/>	+\$0
<b>B</b>	one dot power port, cable tray, no cable managed leg	<input type="checkbox"/>	+\$640
<b>Y</b>	one dot power port, comes with cable tray and cable managed leg	<input type="checkbox"/>	+\$934

*For bar height rectangular meeting table - 3000w x 1200d (30R) or bar height radius corner meeting table - 3000w x 1200d (30D)*

<b>A</b>	no dot power port, no cable management	<input type="checkbox"/>	+\$0
<b>B</b>	one dot power port, cable tray, no cable managed leg	<input type="checkbox"/>	+\$640
<b>C</b>	two dot power ports, cable tray, no cable managed leg	<input type="checkbox"/>	+\$836
<b>Y</b>	one dot power port, comes with cable tray and cable managed leg	<input type="checkbox"/>	+\$934
<b>Z</b>	two dot power ports, cable tray and cable managed leg	<input type="checkbox"/>	+\$1130

### Step 4. Leg Material

<b>W</b>	wood	<input type="checkbox"/>	+\$0
<b>S</b>	steel	<input type="checkbox"/>	+\$0

### Step 5. Leg Finish

*For wood (W)*

<b>OAK</b>	oak	<input type="checkbox"/>	+\$302
------------	-----	--------------------------	--------

### For steel (S)

<b>R00</b>	black RAL 9005	<input type="checkbox"/>	+\$0
<b>R14</b>	signal white RAL9003	<input type="checkbox"/>	+\$0
<b>R02</b>	stone grey RAL 7030	<input type="checkbox"/>	+\$302
<b>R03</b>	silver - RAL 9006	<input type="checkbox"/>	+\$302
<b>R08</b>	traffic orange RAL 2009	<input type="checkbox"/>	+\$302
<b>R13</b>	pastel blue RAL 5024	<input type="checkbox"/>	+\$302
<b>R23</b>	black grey RAL 7021	<input type="checkbox"/>	+\$302
<b>R24</b>	leaf green RAL 6002	<input type="checkbox"/>	+\$302
<b>R25</b>	pale green RAL 6021	<input type="checkbox"/>	+\$302
<b>R26</b>	RAL 3020 red	<input type="checkbox"/>	+\$302
<b>R28</b>	light pink RAL 3015	<input type="checkbox"/>	+\$302
<b>R29</b>	dark blue RAL 5001	<input type="checkbox"/>	+\$302
<b>R30</b>	oyster RAL 1013	<input type="checkbox"/>	+\$302
<b>R38</b>	broom yellow RAL 1032	<input type="checkbox"/>	+\$302
<b>R39</b>	moss green RAL 6005	<input type="checkbox"/>	+\$302
<b>R40</b>	steel blue RAL 5011	<input type="checkbox"/>	+\$302

### Step 6. Under-Frame Finish

<b>R00</b>	black RAL 9005	<input type="checkbox"/>	+\$0
<b>R14</b>	signal white RAL9003	<input type="checkbox"/>	+\$0
<b>R02</b>	stone grey RAL 7030	<input type="checkbox"/>	+\$454
<b>R03</b>	silver - RAL 9006	<input type="checkbox"/>	+\$454
<b>R08</b>	traffic orange RAL 2009	<input type="checkbox"/>	+\$454
<b>R13</b>	pastel blue RAL 5024	<input type="checkbox"/>	+\$454
<b>R23</b>	black grey RAL 7021	<input type="checkbox"/>	+\$454
<b>R24</b>	leaf green RAL 6002	<input type="checkbox"/>	+\$454
<b>R25</b>	pale green RAL 6021	<input type="checkbox"/>	+\$454
<b>R26</b>	RAL 3020 red	<input type="checkbox"/>	+\$454
<b>R28</b>	light pink RAL 3015	<input type="checkbox"/>	+\$454
<b>R29</b>	dark blue RAL 5001	<input type="checkbox"/>	+\$454
<b>R30</b>	oyster RAL 1013	<input type="checkbox"/>	+\$454
<b>R38</b>	broom yellow RAL 1032	<input type="checkbox"/>	+\$454
<b>R39</b>	moss green RAL 6005	<input type="checkbox"/>	+\$454
<b>R40</b>	steel blue RAL 5011	<input type="checkbox"/>	+\$454

Morse Bar Height 47" Deep Meeting  
Table *continued*

NaughtOne® Meeting Tables

Step 7. Surface Finish

*For bar height rectangular meeting table - 2000w x 1200d (20R)*

<b>BSE</b>	black MF MDF top with edge band <input type="checkbox"/>	+\$0
<b>WSE</b>	white MF MDF top with edge band <input type="checkbox"/>	+\$0
<b>OKE</b>	oak veneer top with edge band <input type="checkbox"/>	+\$1068
<b>J23</b>	4023 Nero forbo lino top with edge band <input type="checkbox"/>	+\$1348
<b>J32</b>	4132 Ash forbo lino top with edge band <input type="checkbox"/>	+\$1348
<b>J55</b>	4155 Pewter forbo lino top with edge band <input type="checkbox"/>	+\$1348
<b>J57</b>	4157 Pearl forbo lino top with edge band <input type="checkbox"/>	+\$1348
<b>J64</b>	4164 Salsa forbo lino top with edge band <input type="checkbox"/>	+\$1348
<b>J66</b>	4166 Charcoal forbo lino top with edge band <input type="checkbox"/>	+\$1348
<b>J72</b>	4172 Mauve forbo lino top with edge band <input type="checkbox"/>	+\$1348
<b>J74</b>	4174 Conifer forbo lino top with edge band <input type="checkbox"/>	+\$1348
<b>J75</b>	4175 Pebble forbo lino top with edge band <input type="checkbox"/>	+\$1348
<b>J76</b>	4176 Mushroom forbo lino top with edge band <input type="checkbox"/>	+\$1348
<b>J77</b>	4177 Vapour forbo lino top with edge band <input type="checkbox"/>	+\$1348
<b>J78</b>	4178 Iron forbo lino top with edge band <input type="checkbox"/>	+\$1348
<b>J79</b>	4179 Smokey Blue forbo lino top with edge band <input type="checkbox"/>	+\$1348
<b>J80</b>	4180 Aquavert forbo lino top with edge band <input type="checkbox"/>	+\$1348
<b>J81</b>	4181 Midnight Blue forbo lino top with edge band <input type="checkbox"/>	+\$1348
<b>J82</b>	4182 Spring Green forbo lino top with edge band <input type="checkbox"/>	+\$1348
<b>J83</b>	4183 Pistachio forbo lino top with edge band <input type="checkbox"/>	+\$1348
<b>J84</b>	4184 Olive forbo lino top with edge band <input type="checkbox"/>	+\$1348
<b>J85</b>	4185 Powder forbo lino top with edge band <input type="checkbox"/>	+\$1348
<b>J86</b>	4186 Orange Blast forbo lino top with edge band <input type="checkbox"/>	+\$1348

*For bar height rectangular meeting table - 2400w x 1200d (24R)*

<b>BSE</b>	black MF MDF top with edge band <input type="checkbox"/>	+\$0
<b>WSE</b>	white MF MDF top with edge band <input type="checkbox"/>	+\$0
<b>OKE</b>	oak veneer top with edge band <input type="checkbox"/>	+\$1106
<b>J23</b>	4023 Nero forbo lino top with edge band <input type="checkbox"/>	+\$1696
<b>J32</b>	4132 Ash forbo lino top with edge band <input type="checkbox"/>	+\$1696
<b>J55</b>	4155 Pewter forbo lino top with edge band <input type="checkbox"/>	+\$1696
<b>J57</b>	4157 Pearl forbo lino top with edge band <input type="checkbox"/>	+\$1696
<b>J64</b>	4164 Salsa forbo lino top with edge band <input type="checkbox"/>	+\$1696
<b>J66</b>	4166 Charcoal forbo lino top with edge band <input type="checkbox"/>	+\$1696
<b>J72</b>	4172 Mauve forbo lino top with edge band <input type="checkbox"/>	+\$1696
<b>J74</b>	4174 Conifer forbo lino top with edge band <input type="checkbox"/>	+\$1696
<b>J75</b>	4175 Pebble forbo lino top with edge band <input type="checkbox"/>	+\$1696
<b>J76</b>	4176 Mushroom forbo lino top with edge band <input type="checkbox"/>	+\$1696
<b>J77</b>	4177 Vapour forbo lino top with edge band <input type="checkbox"/>	+\$1696
<b>J78</b>	4178 Iron forbo lino top with edge band <input type="checkbox"/>	+\$1696
<b>J79</b>	4179 Smokey Blue forbo lino top with edge band <input type="checkbox"/>	+\$1696
<b>J80</b>	4180 Aquavert forbo lino top with edge band <input type="checkbox"/>	+\$1696
<b>J81</b>	4181 Midnight Blue forbo lino top with edge band <input type="checkbox"/>	+\$1696
<b>J82</b>	4182 Spring Green forbo lino top with edge band <input type="checkbox"/>	+\$1696
<b>J83</b>	4183 Pistachio forbo lino top with edge band <input type="checkbox"/>	+\$1696
<b>J84</b>	4184 Olive forbo lino top with edge band <input type="checkbox"/>	+\$1696
<b>J85</b>	4185 Powder forbo lino top with edge band <input type="checkbox"/>	+\$1696
<b>J86</b>	4186 Orange Blast forbo lino top with edge band <input type="checkbox"/>	+\$1696

Morse Bar Height 47" Deep Meeting  
Table *continued*

*For bar height rectangular meeting table - 3000w x 1200d (30R)*

<b>BSE</b>	black MFMDf top with edge band <input type="checkbox"/>	+\$0
<b>WSE</b>	white MFMDf top with edge band <input type="checkbox"/>	+\$0
<b>OKE</b>	oak veneer top with edge band <input type="checkbox"/>	+\$1833
<b>J23</b>	4023 Nero forbo lino top with edge band <input type="checkbox"/>	+\$2687
<b>J32</b>	4132 Ash forbo lino top with edge band <input type="checkbox"/>	+\$2687
<b>J55</b>	4155 Pewter forbo lino top with edge band <input type="checkbox"/>	+\$2687
<b>J57</b>	4157 Pearl forbo lino top with edge band <input type="checkbox"/>	+\$2687
<b>J64</b>	4164 Salsa forbo lino top with edge band <input type="checkbox"/>	+\$2687
<b>J66</b>	4166 Charcoal forbo lino top with edge band <input type="checkbox"/>	+\$2687
<b>J72</b>	4172 Mauve forbo lino top with edge band <input type="checkbox"/>	+\$2687
<b>J74</b>	4174 Conifer forbo lino top with edge band <input type="checkbox"/>	+\$2687
<b>J75</b>	4175 Pebble forbo lino top with edge band <input type="checkbox"/>	+\$2687
<b>J76</b>	4176 Mushroom forbo lino top with edge band <input type="checkbox"/>	+\$2687
<b>J77</b>	4177 Vapour forbo lino top with edge band <input type="checkbox"/>	+\$2687
<b>J78</b>	4178 Iron forbo lino top with edge band <input type="checkbox"/>	+\$2687
<b>J79</b>	4179 Smokey Blue forbo lino top with edge band <input type="checkbox"/>	+\$2687
<b>J80</b>	4180 Aquavert forbo lino top with edge band <input type="checkbox"/>	+\$2687
<b>J81</b>	4181 Midnight Blue forbo lino top with edge band <input type="checkbox"/>	+\$2687
<b>J82</b>	4182 Spring Green forbo lino top with edge band <input type="checkbox"/>	+\$2687
<b>J83</b>	4183 Pistachio forbo lino top with edge band <input type="checkbox"/>	+\$2687
<b>J84</b>	4184 Olive forbo lino top with edge band <input type="checkbox"/>	+\$2687
<b>J85</b>	4185 Powder forbo lino top with edge band <input type="checkbox"/>	+\$2687
<b>J86</b>	4186 Orange Blast forbo lino top with edge band <input type="checkbox"/>	+\$2687

*For bar height radius corner meeting table - 3000w x 1200d (30D)*

<b>BSE</b>	black MFMDf top with edge band <input type="checkbox"/>	+\$0
<b>WSE</b>	white MFMDf top with edge band <input type="checkbox"/>	+\$0
<b>OKE</b>	oak veneer top with edge band <input type="checkbox"/>	+\$1833
<b>J23</b>	4023 Nero forbo lino top with edge band <input type="checkbox"/>	+\$2687
<b>J32</b>	4132 Ash forbo lino top with edge band <input type="checkbox"/>	+\$2687
<b>J55</b>	4155 Pewter forbo lino top with edge band <input type="checkbox"/>	+\$2687
<b>J57</b>	4157 Pearl forbo lino top with edge band <input type="checkbox"/>	+\$2687
<b>J64</b>	4164 Salsa forbo lino top with edge band <input type="checkbox"/>	+\$2687
<b>J66</b>	4166 Charcoal forbo lino top with edge band <input type="checkbox"/>	+\$2687
<b>J72</b>	4172 Mauve forbo lino top with edge band <input type="checkbox"/>	+\$2687
<b>J74</b>	4174 Conifer forbo lino top with edge band <input type="checkbox"/>	+\$2687
<b>J75</b>	4175 Pebble forbo lino top with edge band <input type="checkbox"/>	+\$2687
<b>J76</b>	4176 Mushroom forbo lino top with edge band <input type="checkbox"/>	+\$2687
<b>J77</b>	4177 Vapour forbo lino top with edge band <input type="checkbox"/>	+\$2687
<b>J78</b>	4178 Iron forbo lino top with edge band <input type="checkbox"/>	+\$2687
<b>J79</b>	4179 Smokey Blue forbo lino top with edge band <input type="checkbox"/>	+\$2687
<b>J80</b>	4180 Aquavert forbo lino top with edge band <input type="checkbox"/>	+\$2687
<b>J81</b>	4181 Midnight Blue forbo lino top with edge band <input type="checkbox"/>	+\$2687
<b>J82</b>	4182 Spring Green forbo lino top with edge band <input type="checkbox"/>	+\$2687
<b>J83</b>	4183 Pistachio forbo lino top with edge band <input type="checkbox"/>	+\$2687
<b>J84</b>	4184 Olive forbo lino top with edge band <input type="checkbox"/>	+\$2687
<b>J85</b>	4185 Powder forbo lino top with edge band <input type="checkbox"/>	+\$2687
<b>J86</b>	4186 Orange Blast forbo lino top with edge band <input type="checkbox"/>	+\$2687

Step 8. Dot Power Port Finish

*For no dot power port, no cable management (A)*

<b>N</b>	no selection necessary <input type="checkbox"/>	+\$0
----------	---	------

Morse Bar Height 47" Deep Meeting  
Table *continued*

NaughtOne® Meeting Tables

For one dot power port, cable tray, no cable managed leg (B) or one dot power port, comes with cable tray and cable managed leg (Y)

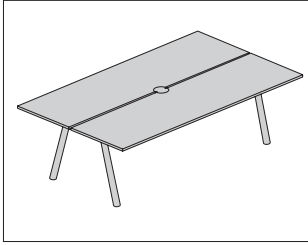
R00	black RAL 9005	A	+\$0
R14	signal white RAL9003	A	+\$0
R02	stone grey RAL 7030	A	+\$0
R03	silver - RAL 9006	A	+\$0
R08	traffic orange RAL 2009	A	+\$0
R13	pastel blue RAL 5024	A	+\$0
R23	black grey RAL 7021	A	+\$0
R24	leaf green RAL 6002	A	+\$0
R25	pale green RAL 6021	A	+\$0
R26	RAL 3020 red	A	+\$0
R28	light pink RAL 3015	A	+\$0
R29	dark blue RAL 5001	A	+\$0
R30	oyster RAL 1013	A	+\$0
R38	broom yellow RAL 1032	A	+\$0
R39	moss green RAL 6005	A	+\$0
R40	steel blue RAL 5011	A	+\$0

For two dot power ports, cable tray, no cable managed leg (C) or two dot power ports, cable tray and cable managed leg (Z)

R00	black RAL 9005	A	+\$0
R14	signal white RAL9003	A	+\$0
R02	stone grey RAL 7030	A	+\$0
R03	silver - RAL 9006	A	+\$0
R08	traffic orange RAL 2009	A	+\$0
R13	pastel blue RAL 5024	A	+\$0
R23	black grey RAL 7021	A	+\$0
R24	leaf green RAL 6002	A	+\$0
R25	pale green RAL 6021	A	+\$0
R26	RAL 3020 red	A	+\$0
R28	light pink RAL 3015	A	+\$0
R29	dark blue RAL 5001	A	+\$0
R30	oyster RAL 1013	A	+\$0
R38	broom yellow RAL 1032	A	+\$0
R39	moss green RAL 6005	A	+\$0
R40	steel blue RAL 5011	A	+\$0

# Morse 55" Deep Work Table

NOMSD



## Product Information

### Description

This table has a laser cut and folded mild steel underframe, finished with polyester powder coat. Legs come in either powder coated mild steel, or solid wood finished in a clear lacquer. Tops are available in a variety of materials and finishes. Fixed height legs provide 3/4" of leveling adjustment. Product is delivered unassembled.

### Notes

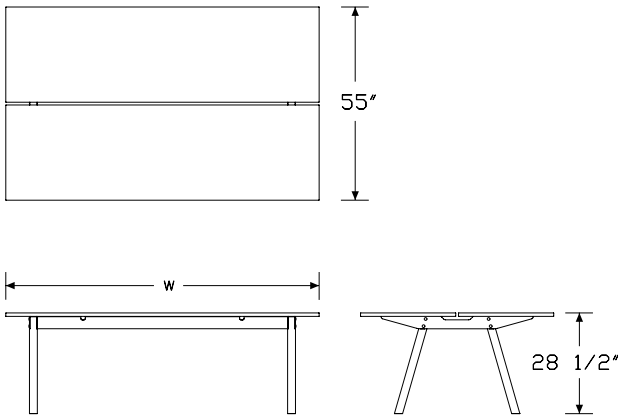
When specified with a cable managed leg, a standard leg is replaced with a version that has an aperture to guide a cable from table top to floor. Cable managed leg can be used in any leg position.

Table tops are provided with an accessories channel. Morse accessories (NOMA) are ordered separately.

Morse power units (NOMSPWR) which are suited to the dot power ports are ordered separately.

Dimensional illustration does not contain all configurations.

## Dimensions



## Specification Information

### Step 1.

**NOMSDC3**  A

### Step 2. Type

<b>16</b>	rectangular table - 1600w x 1400d	<input type="checkbox"/> A	+\$4128
<b>24</b>	rectangular table - 2400w x 1400d	<input type="checkbox"/> A	+\$5111

### Step 3. Cable Management

#### For rectangular table - 1600w x 1400d (16)

<b>A</b>	no dot power port, no cable management	<input type="checkbox"/> A	+\$0
<b>B</b>	one dot power port, cable tray, no cable managed leg	<input type="checkbox"/> A	+\$640
<b>X</b>	no dot power port, comes with cable tray and cable managed leg	<input type="checkbox"/> A	+\$640
<b>Y</b>	one dot power port, comes with cable tray and cable managed leg	<input type="checkbox"/> A	+\$934

#### For rectangular table - 2400w x 1400d (24)

<b>A</b>	no dot power port, no cable management	<input type="checkbox"/> A	+\$0
<b>B</b>	one dot power port, cable tray, no cable managed leg	<input type="checkbox"/> A	+\$640
<b>X</b>	no dot power port, comes with cable tray and cable managed leg	<input type="checkbox"/> A	+\$640
<b>Y</b>	one dot power port, comes with cable tray and cable managed leg	<input type="checkbox"/> A	+\$934

### Step 4. Leg Material

<b>W</b>	wood	<input type="checkbox"/> A	+\$0
<b>S</b>	steel	<input type="checkbox"/> A	+\$0

### Step 5. Leg Finish

#### For wood (W)

<b>OAK</b>	oak	<input type="checkbox"/> A	+\$302
------------	-----	----------------------------	--------

Morse 55" Deep Work Table *continued*

*For steel (S)*

<b>R00</b>	black RAL 9005 <input type="checkbox"/>	+\$0
<b>R14</b>	signal white RAL9003 <input type="checkbox"/>	+\$0
<b>R02</b>	stone grey RAL 7030 <input type="checkbox"/>	+\$302
<b>R03</b>	silver - RAL 9006 <input type="checkbox"/>	+\$302
<b>R08</b>	traffic orange RAL 2009 <input type="checkbox"/>	+\$302
<b>R13</b>	pastel blue RAL 5024 <input type="checkbox"/>	+\$302
<b>R23</b>	black grey RAL 7021 <input type="checkbox"/>	+\$302
<b>R24</b>	leaf green RAL 6002 <input type="checkbox"/>	+\$302
<b>R25</b>	pale green RAL 6021 <input type="checkbox"/>	+\$302
<b>R26</b>	RAL 3020 red <input type="checkbox"/>	+\$302
<b>R28</b>	light pink RAL 3015 <input type="checkbox"/>	+\$302
<b>R29</b>	dark blue RAL 5001 <input type="checkbox"/>	+\$302
<b>R30</b>	oyster RAL 1013 <input type="checkbox"/>	+\$302
<b>R38</b>	broom yellow RAL 1032 <input type="checkbox"/>	+\$302
<b>R39</b>	moss green RAL 6005 <input type="checkbox"/>	+\$302
<b>R40</b>	steel blue RAL 5011 <input type="checkbox"/>	+\$302

Step 6. Under-Frame Finish

<b>R00</b>	black RAL 9005 <input type="checkbox"/>	+\$0
<b>R14</b>	signal white RAL9003 <input type="checkbox"/>	+\$0
<b>R02</b>	stone grey RAL 7030 <input type="checkbox"/>	+\$454
<b>R03</b>	silver - RAL 9006 <input type="checkbox"/>	+\$454
<b>R08</b>	traffic orange RAL 2009 <input type="checkbox"/>	+\$454
<b>R13</b>	pastel blue RAL 5024 <input type="checkbox"/>	+\$454
<b>R23</b>	black grey RAL 7021 <input type="checkbox"/>	+\$454
<b>R24</b>	leaf green RAL 6002 <input type="checkbox"/>	+\$454
<b>R25</b>	pale green RAL 6021 <input type="checkbox"/>	+\$454
<b>R26</b>	RAL 3020 red <input type="checkbox"/>	+\$454
<b>R28</b>	light pink RAL 3015 <input type="checkbox"/>	+\$454
<b>R29</b>	dark blue RAL 5001 <input type="checkbox"/>	+\$454
<b>R30</b>	oyster RAL 1013 <input type="checkbox"/>	+\$454
<b>R38</b>	broom yellow RAL 1032 <input type="checkbox"/>	+\$454
<b>R39</b>	moss green RAL 6005 <input type="checkbox"/>	+\$454
<b>R40</b>	steel blue RAL 5011 <input type="checkbox"/>	+\$454

Step 7. Surface Finish

*For rectangular table - 1600w x 1400d (16)*

<b>BSE</b>	black MFMDf top with edge band <input type="checkbox"/>	+\$0
<b>WSE</b>	white MFMDf top with edge band <input type="checkbox"/>	+\$0
<b>OKE</b>	oak veneer top with edge band <input type="checkbox"/>	+\$2127
<b>J23</b>	4023 Nero forbo lino top with edge band <input type="checkbox"/>	+\$2321
<b>J32</b>	4132 Ash forbo lino top with edge band <input type="checkbox"/>	+\$2321
<b>J55</b>	4155 Pewter forbo lino top with edge band <input type="checkbox"/>	+\$2321
<b>J57</b>	4157 Pearl forbo lino top with edge band <input type="checkbox"/>	+\$2321
<b>J64</b>	4164 Salsa forbo lino top with edge band <input type="checkbox"/>	+\$2321
<b>J66</b>	4166 Charcoal forbo lino top with edge band <input type="checkbox"/>	+\$2321
<b>J72</b>	4172 Mauve forbo lino top with edge band <input type="checkbox"/>	+\$2321
<b>J74</b>	4174 Conifer forbo lino top with edge band <input type="checkbox"/>	+\$2321
<b>J75</b>	4175 Pebble forbo lino top with edge band <input type="checkbox"/>	+\$2321
<b>J76</b>	4176 Mushroom forbo lino top with edge band <input type="checkbox"/>	+\$2321
<b>J77</b>	4177 Vapour forbo lino top with edge band <input type="checkbox"/>	+\$2321
<b>J78</b>	4178 Iron forbo lino top with edge band <input type="checkbox"/>	+\$2321
<b>J79</b>	4179 Smokey Blue forbo lino top with edge band <input type="checkbox"/>	+\$2321
<b>J80</b>	4180 Aquavert forbo lino top with edge band <input type="checkbox"/>	+\$2321
<b>J81</b>	4181 Midnight Blue forbo lino top with edge band <input type="checkbox"/>	+\$2321
<b>J82</b>	4182 Spring Green forbo lino top with edge band <input type="checkbox"/>	+\$2321
<b>J83</b>	4183 Pistachio forbo lino top with edge band <input type="checkbox"/>	+\$2321
<b>J84</b>	4184 Olive forbo lino top with edge band <input type="checkbox"/>	+\$2321
<b>J85</b>	4185 Powder forbo lino top with edge band <input type="checkbox"/>	+\$2321
<b>J86</b>	4186 Orange Blast forbo lino top with edge band <input type="checkbox"/>	+\$2321



Morse 55" Deep Work Table *continued*

*For rectangular table - 2400w x 1400d (24)*

<b>BSE</b>	black MFMDf top with edge band <input type="checkbox"/> A	+\$0
<b>WSE</b>	white MFMDf top with edge band <input type="checkbox"/> A	+\$0
<b>OKE</b>	oak veneer top with edge band <input type="checkbox"/> A	+\$2211
<b>J23</b>	4023 Nero forbo lino top with edge band <input type="checkbox"/> A	+\$2838
<b>J32</b>	4132 Ash forbo lino top with edge band <input type="checkbox"/> A	+\$2838
<b>J55</b>	4155 Pewter forbo lino top with edge band <input type="checkbox"/> A	+\$2838
<b>J57</b>	4157 Pearl forbo lino top with edge band <input type="checkbox"/> A	+\$2838
<b>J64</b>	4164 Salsa forbo lino top with edge band <input type="checkbox"/> A	+\$2838
<b>J66</b>	4166 Charcoal forbo lino top with edge band <input type="checkbox"/> A	+\$2838
<b>J72</b>	4172 Mauve forbo lino top with edge band <input type="checkbox"/> A	+\$2838
<b>J74</b>	4174 Conifer forbo lino top with edge band <input type="checkbox"/> A	+\$2838
<b>J75</b>	4175 Pebble forbo lino top with edge band <input type="checkbox"/> A	+\$2838
<b>J76</b>	4176 Mushroom forbo lino top with edge band <input type="checkbox"/> A	+\$2838
<b>J77</b>	4177 Vapour forbo lino top with edge band <input type="checkbox"/> A	+\$2838
<b>J78</b>	4178 Iron forbo lino top with edge band <input type="checkbox"/> A	+\$2838
<b>J79</b>	4179 Smokey Blue forbo lino top with edge band <input type="checkbox"/> A	+\$2838
<b>J80</b>	4180 Aquavert forbo lino top with edge band <input type="checkbox"/> A	+\$2838
<b>J81</b>	4181 Midnight Blue forbo lino top with edge band <input type="checkbox"/> A	+\$2838
<b>J82</b>	4182 Spring Green forbo lino top with edge band <input type="checkbox"/> A	+\$2838
<b>J83</b>	4183 Pistachio forbo lino top with edge band <input type="checkbox"/> A	+\$2838
<b>J84</b>	4184 Olive forbo lino top with edge band <input type="checkbox"/> A	+\$2838
<b>J85</b>	4185 Powder forbo lino top with edge band <input type="checkbox"/> A	+\$2838
<b>J86</b>	4186 Orange Blast forbo lino top with edge band <input type="checkbox"/> A	+\$2838

Step 8. Dot Power Port Finish

*For no dot power port, no cable management (A) or no dot power port, comes with cable tray and cable managed leg (X)*

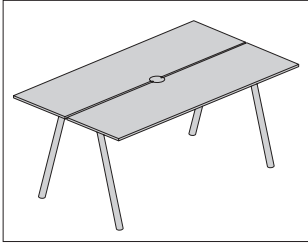
<b>N</b>	no selection necessary <input type="checkbox"/> A	+\$0
----------	---	------

*For one dot power port, cable tray, no cable managed leg (B) or one dot power port, comes with cable tray and cable managed leg (Y)*

<b>R00</b>	black RAL 9005 <input type="checkbox"/> A	+\$0
<b>R14</b>	signal white RAL9003 <input type="checkbox"/> A	+\$0
<b>R02</b>	stone grey RAL 7030 <input type="checkbox"/> A	+\$0
<b>R03</b>	silver - RAL 9006 <input type="checkbox"/> A	+\$0
<b>R08</b>	traffic orange RAL 2009 <input type="checkbox"/> A	+\$0
<b>R13</b>	pastel blue RAL 5024 <input type="checkbox"/> A	+\$0
<b>R23</b>	black grey RAL 7021 <input type="checkbox"/> A	+\$0
<b>R24</b>	leaf green RAL 6002 <input type="checkbox"/> A	+\$0
<b>R25</b>	pale green RAL 6021 <input type="checkbox"/> A	+\$0
<b>R26</b>	RAL 3020 red <input type="checkbox"/> A	+\$0
<b>R28</b>	light pink RAL 3015 <input type="checkbox"/> A	+\$0
<b>R29</b>	dark blue RAL 5001 <input type="checkbox"/> A	+\$0
<b>R30</b>	oyster RAL 1013 <input type="checkbox"/> A	+\$0
<b>R38</b>	broom yellow RAL 1032 <input type="checkbox"/> A	+\$0
<b>R39</b>	moss green RAL 6005 <input type="checkbox"/> A	+\$0
<b>R40</b>	steel blue RAL 5011 <input type="checkbox"/> A	+\$0

# Morse Bar Height 55" Deep Work Table

NOMSD



NaughtOne® Meeting Tables

## Product Information

### Description

This table has a laser cut and folded mild steel underframe, finished with polyester powder coat. Legs come in either powder coated mild steel, or solid wood finished in a clear lacquer. Tops are available in a variety of materials and finishes. Fixed height legs provide 3/4" of leveling adjustment. Product is delivered unassembled.

### Notes

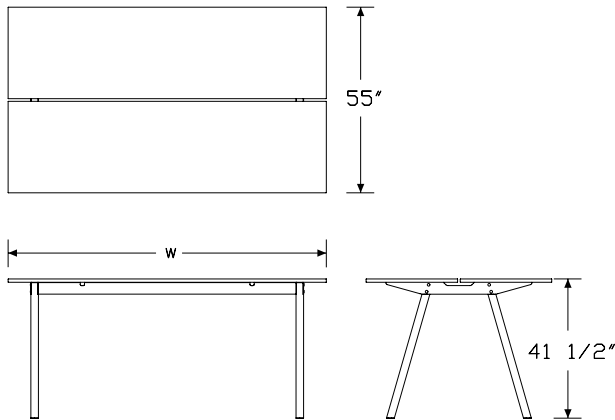
When specified with a cable managed leg, a standard leg is replaced with a version that has an aperture to guide a cable from table top to floor. Cable managed leg can be used in any leg position.

Table tops are provided with an accessories channel. Morse accessories (NOMA) are ordered separately.

Morse power units (NOMSPWR) which are suited to the dot power ports are ordered separately.

Dimensional illustration does not contain all configurations.

## Dimensions



## Specification Information

### Step 1.

**NOMSDC5** [A]

### Step 2. Type

<b>16</b>	bar height rectangular table - 1600w x 1400d	[A]	+\$4326
<b>24</b>	bar height rectangular table - 2400w x 1400d	[A]	+\$5309

### Step 3. Cable Management

#### For bar height rectangular table - 1600w x 1400d (16)

<b>A</b>	no dot power port, no cable management	[A]	+\$0
<b>B</b>	one dot power port, cable tray, no cable managed leg	[A]	+\$640
<b>X</b>	no dot power port, comes with cable tray and cable managed leg	[A]	+\$640
<b>Y</b>	one dot power port, comes with cable tray and cable managed leg	[A]	+\$934

#### For bar height rectangular table - 2400w x 1400d (24)

<b>A</b>	no dot power port, no cable management	[A]	+\$0
<b>B</b>	one dot power port, cable tray, no cable managed leg	[A]	+\$640
<b>X</b>	no dot power port, comes with cable tray and cable managed leg	[A]	+\$640
<b>Y</b>	one dot power port, comes with cable tray and cable managed leg	[A]	+\$934

### Step 4. Leg Material

<b>W</b>	wood	[A]	+\$0
<b>S</b>	steel	[A]	+\$0

### Step 5. Leg Finish

#### For wood (W)

<b>OAK</b>	oak	[A]	+\$302
------------	-----	-----	--------

Morse Bar Height 55" Deep Work  
Table *continued*

For steel (S)

R00	black RAL 9005	A	+\$0
R14	signal white RAL9003	A	+\$0
R02	stone grey RAL 7030	A	+\$302
R03	silver - RAL 9006	A	+\$302
R08	traffic orange RAL 2009	A	+\$302
R13	pastel blue RAL 5024	A	+\$302
R23	black grey RAL 7021	A	+\$302
R24	leaf green RAL 6002	A	+\$302
R25	pale green RAL 6021	A	+\$302
R26	RAL 3020 red	A	+\$302
R28	light pink RAL 3015	A	+\$302
R29	dark blue RAL 5001	A	+\$302
R30	oyster RAL 1013	A	+\$302
R38	broom yellow RAL 1032	A	+\$302
R39	moss green RAL 6005	A	+\$302
R40	steel blue RAL 5011	A	+\$302

Step 6. Under-Frame Finish

R00	black RAL 9005	A	+\$0
R14	signal white RAL9003	A	+\$0
R02	stone grey RAL 7030	A	+\$454
R03	silver - RAL 9006	A	+\$454
R08	traffic orange RAL 2009	A	+\$454
R13	pastel blue RAL 5024	A	+\$454
R23	black grey RAL 7021	A	+\$454
R24	leaf green RAL 6002	A	+\$454
R25	pale green RAL 6021	A	+\$454
R26	RAL 3020 red	A	+\$454
R28	light pink RAL 3015	A	+\$454
R29	dark blue RAL 5001	A	+\$454
R30	oyster RAL 1013	A	+\$454
R38	broom yellow RAL 1032	A	+\$454
R39	moss green RAL 6005	A	+\$454
R40	steel blue RAL 5011	A	+\$454

Step 7. Surface Finish

For bar height rectangular table - 1600w x 1400d (16)

BSE	black MFMDf top with edge band	A	+\$0
WSE	white MFMDf top with edge band	A	+\$0
OKE	oak veneer top with edge band	A	+\$2127
J23	4023 Nero forbo lino top with edge band	A	+\$2321
J32	4132 Ash forbo lino top with edge band	A	+\$2321
J55	4155 Pewter forbo lino top with edge band	A	+\$2321
J57	4157 Pearl forbo lino top with edge band	A	+\$2321
J64	4164 Salsa forbo lino top with edge band	A	+\$2321
J66	4166 Charcoal forbo lino top with edge band	A	+\$2321
J72	4172 Mauve forbo lino top with edge band	A	+\$2321
J74	4174 Conifer forbo lino top with edge band	A	+\$2321
J75	4175 Pebble forbo lino top with edge band	A	+\$2321
J76	4176 Mushroom forbo lino top with edge band	A	+\$2321
J77	4177 Vapour forbo lino top with edge band	A	+\$2321
J78	4178 Iron forbo lino top with edge band	A	+\$2321
J79	4179 Smokey Blue forbo lino top with edge band	A	+\$2321
J80	4180 Aquavert forbo lino top with edge band	A	+\$2321
J81	4181 Midnight Blue forbo lino top with edge band	A	+\$2321
J82	4182 Spring Green forbo lino top with edge band	A	+\$2321
J83	4183 Pistachio forbo lino top with edge band	A	+\$2321
J84	4184 Olive forbo lino top with edge band	A	+\$2321
J85	4185 Powder forbo lino top with edge band	A	+\$2321
J86	4186 Orange Blast forbo lino top with edge band	A	+\$2321

Morse Bar Height 55" Deep Work  
Table *continued*

NaughtOne® Meeting Tables

*For bar height rectangular table - 2400w x 1400d (24)*

<b>BSE</b>	black MFMDF top with edge band <input type="checkbox"/> A	+\$0
<b>WSE</b>	white MFMDF top with edge band <input type="checkbox"/> A	+\$0
<b>OKE</b>	oak veneer top with edge band <input type="checkbox"/> A	+\$2211
<b>J23</b>	4023 Nero forbo lino top with edge band <input type="checkbox"/> A	+\$2838
<b>J32</b>	4132 Ash forbo lino top with edge band <input type="checkbox"/> A	+\$2838
<b>J55</b>	4155 Pewter forbo lino top with edge band <input type="checkbox"/> A	+\$2838
<b>J57</b>	4157 Pearl forbo lino top with edge band <input type="checkbox"/> A	+\$2838
<b>J64</b>	4164 Salsa forbo lino top with edge band <input type="checkbox"/> A	+\$2838
<b>J66</b>	4166 Charcoal forbo lino top with edge band <input type="checkbox"/> A	+\$2838
<b>J72</b>	4172 Mauve forbo lino top with edge band <input type="checkbox"/> A	+\$2838
<b>J74</b>	4174 Conifer forbo lino top with edge band <input type="checkbox"/> A	+\$2838
<b>J75</b>	4175 Pebble forbo lino top with edge band <input type="checkbox"/> A	+\$2838
<b>J76</b>	4176 Mushroom forbo lino top with edge band <input type="checkbox"/> A	+\$2838
<b>J77</b>	4177 Vapour forbo lino top with edge band <input type="checkbox"/> A	+\$2838
<b>J78</b>	4178 Iron forbo lino top with edge band <input type="checkbox"/> A	+\$2838
<b>J79</b>	4179 Smokey Blue forbo lino top with edge band <input type="checkbox"/> A	+\$2838
<b>J80</b>	4180 Aquavert forbo lino top with edge band <input type="checkbox"/> A	+\$2838
<b>J81</b>	4181 Midnight Blue forbo lino top with edge band <input type="checkbox"/> A	+\$2838
<b>J82</b>	4182 Spring Green forbo lino top with edge band <input type="checkbox"/> A	+\$2838
<b>J83</b>	4183 Pistachio forbo lino top with edge band <input type="checkbox"/> A	+\$2838
<b>J84</b>	4184 Olive forbo lino top with edge band <input type="checkbox"/> A	+\$2838
<b>J85</b>	4185 Powder forbo lino top with edge band <input type="checkbox"/> A	+\$2838
<b>J86</b>	4186 Orange Blast forbo lino top with edge band <input type="checkbox"/> A	+\$2838

Step 8. Dot Power Port Finish

*For no dot power port, no cable management (A) or no dot power port, comes with cable tray and cable managed leg (X)*

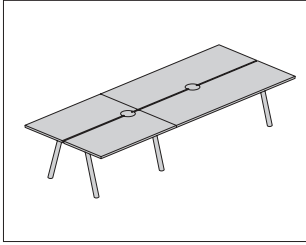
<b>N</b>	no selection necessary <input type="checkbox"/> A	+\$0
----------	---	------

*For one dot power port, cable tray, no cable managed leg (B) or one dot power port, comes with cable tray and cable managed leg (Y)*

<b>R00</b>	black RAL 9005 <input type="checkbox"/> A	+\$0
<b>R14</b>	signal white RAL9003 <input type="checkbox"/> A	+\$0
<b>R02</b>	stone grey RAL 7030 <input type="checkbox"/> A	+\$0
<b>R03</b>	silver - RAL 9006 <input type="checkbox"/> A	+\$0
<b>R08</b>	traffic orange RAL 2009 <input type="checkbox"/> A	+\$0
<b>R13</b>	pastel blue RAL 5024 <input type="checkbox"/> A	+\$0
<b>R23</b>	black grey RAL 7021 <input type="checkbox"/> A	+\$0
<b>R24</b>	leaf green RAL 6002 <input type="checkbox"/> A	+\$0
<b>R25</b>	pale green RAL 6021 <input type="checkbox"/> A	+\$0
<b>R26</b>	RAL 3020 red <input type="checkbox"/> A	+\$0
<b>R28</b>	light pink RAL 3015 <input type="checkbox"/> A	+\$0
<b>R29</b>	dark blue RAL 5001 <input type="checkbox"/> A	+\$0
<b>R30</b>	oyster RAL 1013 <input type="checkbox"/> A	+\$0
<b>R38</b>	broom yellow RAL 1032 <input type="checkbox"/> A	+\$0
<b>R39</b>	moss green RAL 6005 <input type="checkbox"/> A	+\$0
<b>R40</b>	steel blue RAL 5011 <input type="checkbox"/> A	+\$0

# Morse 55" Deep Work Table Configuration

NOMSD



## Product Information

### Description

This table has a laser cut and folded mild steel underframe, finished with polyester powder coat. Legs come in either powder coated mild steel, or solid wood finished in a clear lacquer. Tops are available in a variety of materials and finishes. Fixed height legs provide 3/4" of leveling adjustment. Product is delivered unassembled.

### Notes

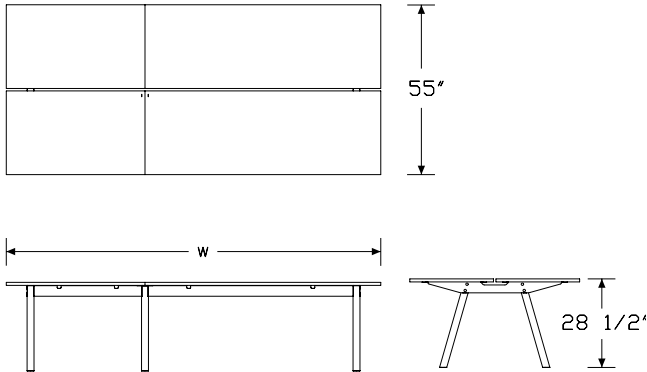
When specified with a cable managed leg, a standard leg is replaced with a version that has an aperture to guide a cable from table top to floor. Cable managed leg can be used in any leg position.

Table tops are provided with an accessories channel. Morse accessories (NOMA) are ordered separately.

Morse power units (NOMSPWR) which are suited to the dot power ports are ordered separately.

Dimensional illustration does not contain all configurations.

## Dimensions



## Specification Information

### Step 1.

**NOMSDG3**

### Step 2. Type

<b>28</b>	rectangular table - 2800w x 1400d - 6 leg	<input type="checkbox"/>	+\$7519
<b>36</b>	rectangular table - 3600w x 1400d - 6 leg	<input type="checkbox"/>	+\$8699
<b>40</b>	rectangular table - 4000w x 1400d - 8 leg	<input type="checkbox"/>	+\$10861
<b>44</b>	rectangular table - 4400w x 1400d - 6 leg	<input type="checkbox"/>	+\$9878
<b>48</b>	rectangular table - 4800w x 1400d - 8 leg	<input type="checkbox"/>	+\$12040
<b>56</b>	rectangular table - 5600w x 1400d - 8 leg	<input type="checkbox"/>	+\$13219
<b>64</b>	rectangular table - 6400w x 1400d - 8 leg	<input type="checkbox"/>	+\$14399

### Step 3. Cable Management

For rectangular table - 2800w x 1400d - 6 leg (28), rectangular table - 3600w x 1400d - 6 leg (36), or rectangular table - 4400w x 1400d - 6 leg (44)

<b>A</b>	no dot power port, no cable management	<input type="checkbox"/>	+\$0
<b>B</b>	dot power ports, cable trays, no cable managed leg	<input type="checkbox"/>	+\$1278
<b>X</b>	no dot power port, comes with cable tray and cable managed leg	<input type="checkbox"/>	+\$983
<b>Y</b>	dot power ports, cable trays and cable managed leg	<input type="checkbox"/>	+\$1572

For rectangular table - 4000w x 1400d - 8 leg (40), rectangular table - 4800w x 1400d - 8 leg (48), rectangular table - 5600w x 1400d - 8 leg (56), or rectangular table - 6400w x 1400d - 8 leg (64)

<b>A</b>	no dot power port, no cable management	<input type="checkbox"/>	+\$0
<b>B</b>	dot power ports, cable trays, no cable managed leg	<input type="checkbox"/>	+\$1917
<b>X</b>	no dot power port, comes with cable tray and cable managed leg	<input type="checkbox"/>	+\$1622
<b>Y</b>	dot power ports, cable trays and cable managed leg	<input type="checkbox"/>	+\$2506

### Step 4. Leg Material

<b>W</b>	wood	<input type="checkbox"/>	+\$0
<b>S</b>	steel	<input type="checkbox"/>	+\$0

### Step 5. Leg Finish

For rectangular table - 2800w x 1400d - 6 leg (28), rectangular table - 3600w x 1400d - 6 leg (36), or rectangular table - 4400w x 1400d - 6 leg (44) with wood (W)

<b>OAK</b>	oak	<input type="checkbox"/>	+\$454
------------	-----	--------------------------	--------

# Morse 55" Deep Work Table Configuration *continued*

For rectangular table - 2800w x 1400d - 6 leg (28), rectangular table - 3600w x 1400d - 6 leg (36), or rectangular table - 4400w x 1400d - 6 leg (44) with steel (S)

R00	black RAL 9005	A	+\$0
R14	signal white RAL9003	A	+\$0
R02	stone grey RAL 7030	A	+\$454
R03	silver - RAL 9006	A	+\$454
R08	traffic orange RAL 2009	A	+\$454
R13	pastel blue RAL 5024	A	+\$454
R23	black grey RAL 7021	A	+\$454
R24	leaf green RAL 6002	A	+\$454
R25	pale green RAL 6021	A	+\$454
R26	RAL 3020 red	A	+\$454
R28	light pink RAL 3015	A	+\$454
R29	dark blue RAL 5001	A	+\$454
R30	oyster RAL 1013	A	+\$454
R38	broom yellow RAL 1032	A	+\$454
R39	moss green RAL 6005	A	+\$454
R40	steel blue RAL 5011	A	+\$454

For rectangular table - 4000w x 1400d - 8 leg (40), rectangular table - 4800w x 1400d - 8 leg (48), rectangular table - 5600w x 1400d - 8 leg (56), or rectangular table - 6400w x 1400d - 8 leg (64) with wood (W)

OAK	oak	A	+\$605
-----	-----	---	--------

For rectangular table - 4000w x 1400d - 8 leg (40), rectangular table - 4800w x 1400d - 8 leg (48), rectangular table - 5600w x 1400d - 8 leg (56), or rectangular table - 6400w x 1400d - 8 leg (64) with steel (S)

R00	black RAL 9005	A	+\$0
R14	signal white RAL9003	A	+\$0
R02	stone grey RAL 7030	A	+\$605
R03	silver - RAL 9006	A	+\$605
R08	traffic orange RAL 2009	A	+\$605
R13	pastel blue RAL 5024	A	+\$605
R23	black grey RAL 7021	A	+\$605
R24	leaf green RAL 6002	A	+\$605
R25	pale green RAL 6021	A	+\$605
R26	RAL 3020 red	A	+\$605
R28	light pink RAL 3015	A	+\$605
R29	dark blue RAL 5001	A	+\$605
R30	oyster RAL 1013	A	+\$605
R38	broom yellow RAL 1032	A	+\$605
R39	moss green RAL 6005	A	+\$605
R40	steel blue RAL 5011	A	+\$605

## Step 6. Under-Frame Finish

For rectangular table - 2800w x 1400d - 6 leg (28), rectangular table - 3600w x 1400d - 6 leg (36), or rectangular table - 4400w x 1400d - 6 leg (44)

R00	black RAL 9005	A	+\$0
R14	signal white RAL9003	A	+\$0
R02	stone grey RAL 7030	A	+\$832
R03	silver - RAL 9006	A	+\$832
R08	traffic orange RAL 2009	A	+\$832
R13	pastel blue RAL 5024	A	+\$832
R23	black grey RAL 7021	A	+\$832
R24	leaf green RAL 6002	A	+\$832
R25	pale green RAL 6021	A	+\$832
R26	RAL 3020 red	A	+\$832
R28	light pink RAL 3015	A	+\$832
R29	dark blue RAL 5001	A	+\$832
R30	oyster RAL 1013	A	+\$832
R38	broom yellow RAL 1032	A	+\$832
R39	moss green RAL 6005	A	+\$832
R40	steel blue RAL 5011	A	+\$832

For rectangular table - 4000w x 1400d - 8 leg (40), rectangular table - 4800w x 1400d - 8 leg (48), rectangular table - 5600w x 1400d - 8 leg (56), or rectangular table - 6400w x 1400d - 8 leg (64)

R00	black RAL 9005	A	+\$0
R14	signal white RAL9003	A	+\$0
R02	stone grey RAL 7030	A	+\$1210
R03	silver - RAL 9006	A	+\$1210
R08	traffic orange RAL 2009	A	+\$1210
R13	pastel blue RAL 5024	A	+\$1210
R23	black grey RAL 7021	A	+\$1210
R24	leaf green RAL 6002	A	+\$1210
R25	pale green RAL 6021	A	+\$1210
R26	RAL 3020 red	A	+\$1210
R28	light pink RAL 3015	A	+\$1210
R29	dark blue RAL 5001	A	+\$1210
R30	oyster RAL 1013	A	+\$1210
R38	broom yellow RAL 1032	A	+\$1210
R39	moss green RAL 6005	A	+\$1210
R40	steel blue RAL 5011	A	+\$1210

# Morse 55" Deep Work Table Configuration *continued*

## Step 7. Surface Finish

### For rectangular table - 2800w x 1400d - 6 leg (28)

<b>BSE</b>	black MF MDF top with edge band <input type="checkbox"/>	+\$0
<b>WSE</b>	white MF MDF top with edge band <input type="checkbox"/>	+\$0
<b>OKE</b>	oak veneer top with edge band <input type="checkbox"/>	+\$3770
<b>J23</b>	4023 Nero forbo lino top with edge band <input type="checkbox"/>	+\$4373
<b>J32</b>	4132 Ash forbo lino top with edge band <input type="checkbox"/>	+\$4373
<b>J55</b>	4155 Pewter forbo lino top with edge band <input type="checkbox"/>	+\$4373
<b>J57</b>	4157 Pearl forbo lino top with edge band <input type="checkbox"/>	+\$4373
<b>J64</b>	4164 Salsa forbo lino top with edge band <input type="checkbox"/>	+\$4373
<b>J66</b>	4166 Charcoal forbo lino top with edge band <input type="checkbox"/>	+\$4373
<b>J72</b>	4172 Mauve forbo lino top with edge band <input type="checkbox"/>	+\$4373
<b>J74</b>	4174 Conifer forbo lino top with edge band <input type="checkbox"/>	+\$4373
<b>J75</b>	4175 Pebble forbo lino top with edge band <input type="checkbox"/>	+\$4373
<b>J76</b>	4176 Mushroom forbo lino top with edge band <input type="checkbox"/>	+\$4373
<b>J77</b>	4177 Vapour forbo lino top with edge band <input type="checkbox"/>	+\$4373
<b>J78</b>	4178 Iron forbo lino top with edge band <input type="checkbox"/>	+\$4373
<b>J79</b>	4179 Smokey Blue forbo lino top with edge band <input type="checkbox"/>	+\$4373
<b>J80</b>	4180 Aquavert forbo lino top with edge band <input type="checkbox"/>	+\$4373
<b>J81</b>	4181 Midnight Blue forbo lino top with edge band <input type="checkbox"/>	+\$4373
<b>J82</b>	4182 Spring Green forbo lino top with edge band <input type="checkbox"/>	+\$4373
<b>J83</b>	4183 Pistachio forbo lino top with edge band <input type="checkbox"/>	+\$4373
<b>J84</b>	4184 Olive forbo lino top with edge band <input type="checkbox"/>	+\$4373
<b>J85</b>	4185 Powder forbo lino top with edge band <input type="checkbox"/>	+\$4373
<b>J86</b>	4186 Orange Blast forbo lino top with edge band <input type="checkbox"/>	+\$4373

### For rectangular table - 3600w x 1400d - 6 leg (36)

<b>BSE</b>	black MF MDF top with edge band <input type="checkbox"/>	+\$0
<b>WSE</b>	white MF MDF top with edge band <input type="checkbox"/>	+\$0
<b>OKE</b>	oak veneer top with edge band <input type="checkbox"/>	+\$4120
<b>J23</b>	4023 Nero forbo lino top with edge band <input type="checkbox"/>	+\$4935
<b>J32</b>	4132 Ash forbo lino top with edge band <input type="checkbox"/>	+\$4935
<b>J55</b>	4155 Pewter forbo lino top with edge band <input type="checkbox"/>	+\$4935
<b>J57</b>	4157 Pearl forbo lino top with edge band <input type="checkbox"/>	+\$4935
<b>J64</b>	4164 Salsa forbo lino top with edge band <input type="checkbox"/>	+\$4935
<b>J66</b>	4166 Charcoal forbo lino top with edge band <input type="checkbox"/>	+\$4935
<b>J72</b>	4172 Mauve forbo lino top with edge band <input type="checkbox"/>	+\$4935
<b>J74</b>	4174 Conifer forbo lino top with edge band <input type="checkbox"/>	+\$4935
<b>J75</b>	4175 Pebble forbo lino top with edge band <input type="checkbox"/>	+\$4935
<b>J76</b>	4176 Mushroom forbo lino top with edge band <input type="checkbox"/>	+\$4935
<b>J77</b>	4177 Vapour forbo lino top with edge band <input type="checkbox"/>	+\$4935
<b>J78</b>	4178 Iron forbo lino top with edge band <input type="checkbox"/>	+\$4935
<b>J79</b>	4179 Smokey Blue forbo lino top with edge band <input type="checkbox"/>	+\$4935
<b>J80</b>	4180 Aquavert forbo lino top with edge band <input type="checkbox"/>	+\$4935
<b>J81</b>	4181 Midnight Blue forbo lino top with edge band <input type="checkbox"/>	+\$4935
<b>J82</b>	4182 Spring Green forbo lino top with edge band <input type="checkbox"/>	+\$4935
<b>J83</b>	4183 Pistachio forbo lino top with edge band <input type="checkbox"/>	+\$4935
<b>J84</b>	4184 Olive forbo lino top with edge band <input type="checkbox"/>	+\$4935
<b>J85</b>	4185 Powder forbo lino top with edge band <input type="checkbox"/>	+\$4935
<b>J86</b>	4186 Orange Blast forbo lino top with edge band <input type="checkbox"/>	+\$4935

Morse 55" Deep Work Table  
Configuration *continued*

NaughtOne® Meeting Tables

*For rectangular table - 4000w x 1400d - 8 leg (40)*

<b>BSE</b>	black MFMDF top with edge band <input type="checkbox"/>	+\$0
<b>WSE</b>	white MFMDF top with edge band <input type="checkbox"/>	+\$0
<b>OKE</b>	oak veneer top with edge band <input type="checkbox"/>	+\$5169
<b>J23</b>	4023 Nero forbo lino top with edge band <input type="checkbox"/>	+\$6060
<b>J32</b>	4132 Ash forbo lino top with edge band <input type="checkbox"/>	+\$6060
<b>J55</b>	4155 Pewter forbo lino top with edge band <input type="checkbox"/>	+\$6060
<b>J57</b>	4157 Pearl forbo lino top with edge band <input type="checkbox"/>	+\$6060
<b>J64</b>	4164 Salsa forbo lino top with edge band <input type="checkbox"/>	+\$6060
<b>J66</b>	4166 Charcoal forbo lino top with edge band <input type="checkbox"/>	+\$6060
<b>J72</b>	4172 Mauve forbo lino top with edge band <input type="checkbox"/>	+\$6060
<b>J74</b>	4174 Conifer forbo lino top with edge band <input type="checkbox"/>	+\$6060
<b>J75</b>	4175 Pebble forbo lino top with edge band <input type="checkbox"/>	+\$6060
<b>J76</b>	4176 Mushroom forbo lino top with edge band <input type="checkbox"/>	+\$6060
<b>J77</b>	4177 Vapour forbo lino top with edge band <input type="checkbox"/>	+\$6060
<b>J78</b>	4178 Iron forbo lino top with edge band <input type="checkbox"/>	+\$6060
<b>J79</b>	4179 Smokey Blue forbo lino top with edge band <input type="checkbox"/>	+\$6060
<b>J80</b>	4180 Aquavert forbo lino top with edge band <input type="checkbox"/>	+\$6060
<b>J81</b>	4181 Midnight Blue forbo lino top with edge band <input type="checkbox"/>	+\$6060
<b>J82</b>	4182 Spring Green forbo lino top with edge band <input type="checkbox"/>	+\$6060
<b>J83</b>	4183 Pistachio forbo lino top with edge band <input type="checkbox"/>	+\$6060
<b>J84</b>	4184 Olive forbo lino top with edge band <input type="checkbox"/>	+\$6060
<b>J85</b>	4185 Powder forbo lino top with edge band <input type="checkbox"/>	+\$6060
<b>J86</b>	4186 Orange Blast forbo lino top with edge band <input type="checkbox"/>	+\$6060

*For rectangular table - 4400w x 1400d - 6 leg (44)*

<b>BSE</b>	black MFMDF top with edge band <input type="checkbox"/>	+\$0
<b>WSE</b>	white MFMDF top with edge band <input type="checkbox"/>	+\$0
<b>OKE</b>	oak veneer top with edge band <input type="checkbox"/>	+\$4460
<b>J23</b>	4023 Nero forbo lino top with edge band <input type="checkbox"/>	+\$5488
<b>J32</b>	4132 Ash forbo lino top with edge band <input type="checkbox"/>	+\$5488
<b>J55</b>	4155 Pewter forbo lino top with edge band <input type="checkbox"/>	+\$5488
<b>J57</b>	4157 Pearl forbo lino top with edge band <input type="checkbox"/>	+\$5488
<b>J64</b>	4164 Salsa forbo lino top with edge band <input type="checkbox"/>	+\$5488
<b>J66</b>	4166 Charcoal forbo lino top with edge band <input type="checkbox"/>	+\$5488
<b>J72</b>	4172 Mauve forbo lino top with edge band <input type="checkbox"/>	+\$5488
<b>J74</b>	4174 Conifer forbo lino top with edge band <input type="checkbox"/>	+\$5488
<b>J75</b>	4175 Pebble forbo lino top with edge band <input type="checkbox"/>	+\$5488
<b>J76</b>	4176 Mushroom forbo lino top with edge band <input type="checkbox"/>	+\$5488
<b>J77</b>	4177 Vapour forbo lino top with edge band <input type="checkbox"/>	+\$5488
<b>J78</b>	4178 Iron forbo lino top with edge band <input type="checkbox"/>	+\$5488
<b>J79</b>	4179 Smokey Blue forbo lino top with edge band <input type="checkbox"/>	+\$5488
<b>J80</b>	4180 Aquavert forbo lino top with edge band <input type="checkbox"/>	+\$5488
<b>J81</b>	4181 Midnight Blue forbo lino top with edge band <input type="checkbox"/>	+\$5488
<b>J82</b>	4182 Spring Green forbo lino top with edge band <input type="checkbox"/>	+\$5488
<b>J83</b>	4183 Pistachio forbo lino top with edge band <input type="checkbox"/>	+\$5488
<b>J84</b>	4184 Olive forbo lino top with edge band <input type="checkbox"/>	+\$5488
<b>J85</b>	4185 Powder forbo lino top with edge band <input type="checkbox"/>	+\$5488
<b>J86</b>	4186 Orange Blast forbo lino top with edge band <input type="checkbox"/>	+\$5488



Morse 55" Deep Work Table  
Configuration *continued*

*For rectangular table - 4800w x 1400d - 8 leg (48)*

<b>BSE</b>	black MFMDf top with edge band <input type="checkbox"/>	+\$0
<b>WSE</b>	white MFMDf top with edge band <input type="checkbox"/>	+\$0
<b>OKE</b>	oak veneer top with edge band <input type="checkbox"/>	+\$5698
<b>J23</b>	4023 Nero forbo lino top with edge band <input type="checkbox"/>	+\$6765
<b>J32</b>	4132 Ash forbo lino top with edge band <input type="checkbox"/>	+\$6765
<b>J55</b>	4155 Pewter forbo lino top with edge band <input type="checkbox"/>	+\$6765
<b>J57</b>	4157 Pearl forbo lino top with edge band <input type="checkbox"/>	+\$6765
<b>J64</b>	4164 Salsa forbo lino top with edge band <input type="checkbox"/>	+\$6765
<b>J66</b>	4166 Charcoal forbo lino top with edge band <input type="checkbox"/>	+\$6765
<b>J72</b>	4172 Mauve forbo lino top with edge band <input type="checkbox"/>	+\$6765
<b>J74</b>	4174 Conifer forbo lino top with edge band <input type="checkbox"/>	+\$6765
<b>J75</b>	4175 Pebble forbo lino top with edge band <input type="checkbox"/>	+\$6765
<b>J76</b>	4176 Mushroom forbo lino top with edge band <input type="checkbox"/>	+\$6765
<b>J77</b>	4177 Vapour forbo lino top with edge band <input type="checkbox"/>	+\$6765
<b>J78</b>	4178 Iron forbo lino top with edge band <input type="checkbox"/>	+\$6765
<b>J79</b>	4179 Smokey Blue forbo lino top with edge band <input type="checkbox"/>	+\$6765
<b>J80</b>	4180 Aquavert forbo lino top with edge band <input type="checkbox"/>	+\$6765
<b>J81</b>	4181 Midnight Blue forbo lino top with edge band <input type="checkbox"/>	+\$6765
<b>J82</b>	4182 Spring Green forbo lino top with edge band <input type="checkbox"/>	+\$6765
<b>J83</b>	4183 Pistachio forbo lino top with edge band <input type="checkbox"/>	+\$6765
<b>J84</b>	4184 Olive forbo lino top with edge band <input type="checkbox"/>	+\$6765
<b>J85</b>	4185 Powder forbo lino top with edge band <input type="checkbox"/>	+\$6765
<b>J86</b>	4186 Orange Blast forbo lino top with edge band <input type="checkbox"/>	+\$6765

*For rectangular table - 5600w x 1400d - 8 leg (56)*

<b>BSE</b>	black MFMDf top with edge band <input type="checkbox"/>	+\$0
<b>WSE</b>	white MFMDf top with edge band <input type="checkbox"/>	+\$0
<b>OKE</b>	oak veneer top with edge band <input type="checkbox"/>	+\$5859
<b>J23</b>	4023 Nero forbo lino top with edge band <input type="checkbox"/>	+\$7176
<b>J32</b>	4132 Ash forbo lino top with edge band <input type="checkbox"/>	+\$7176
<b>J55</b>	4155 Pewter forbo lino top with edge band <input type="checkbox"/>	+\$7176
<b>J57</b>	4157 Pearl forbo lino top with edge band <input type="checkbox"/>	+\$7176
<b>J64</b>	4164 Salsa forbo lino top with edge band <input type="checkbox"/>	+\$7176
<b>J66</b>	4166 Charcoal forbo lino top with edge band <input type="checkbox"/>	+\$7176
<b>J72</b>	4172 Mauve forbo lino top with edge band <input type="checkbox"/>	+\$7176
<b>J74</b>	4174 Conifer forbo lino top with edge band <input type="checkbox"/>	+\$7176
<b>J75</b>	4175 Pebble forbo lino top with edge band <input type="checkbox"/>	+\$7176
<b>J76</b>	4176 Mushroom forbo lino top with edge band <input type="checkbox"/>	+\$7176
<b>J77</b>	4177 Vapour forbo lino top with edge band <input type="checkbox"/>	+\$7176
<b>J78</b>	4178 Iron forbo lino top with edge band <input type="checkbox"/>	+\$7176
<b>J79</b>	4179 Smokey Blue forbo lino top with edge band <input type="checkbox"/>	+\$7176
<b>J80</b>	4180 Aquavert forbo lino top with edge band <input type="checkbox"/>	+\$7176
<b>J81</b>	4181 Midnight Blue forbo lino top with edge band <input type="checkbox"/>	+\$7176
<b>J82</b>	4182 Spring Green forbo lino top with edge band <input type="checkbox"/>	+\$7176
<b>J83</b>	4183 Pistachio forbo lino top with edge band <input type="checkbox"/>	+\$7176
<b>J84</b>	4184 Olive forbo lino top with edge band <input type="checkbox"/>	+\$7176
<b>J85</b>	4185 Powder forbo lino top with edge band <input type="checkbox"/>	+\$7176
<b>J86</b>	4186 Orange Blast forbo lino top with edge band <input type="checkbox"/>	+\$7176

# Morse 55" Deep Work Table Configuration *continued*

*For rectangular table - 6400w x 1400d - 8 leg (64)*

<b>BSE</b>	black MFMDf top with edge band <input type="checkbox"/> A	+\$0
<b>WSE</b>	white MFMDf top with edge band <input type="checkbox"/> A	+\$0
<b>OKE</b>	oak veneer top with edge band <input type="checkbox"/> A	+\$6378
<b>J23</b>	4023 Nero forbo lino top with edge band <input type="checkbox"/> A	+\$7872
<b>J32</b>	4132 Ash forbo lino top with edge band <input type="checkbox"/> A	+\$7872
<b>J55</b>	4155 Pewter forbo lino top with edge band <input type="checkbox"/> A	+\$7872
<b>J57</b>	4157 Pearl forbo lino top with edge band <input type="checkbox"/> A	+\$7872
<b>J64</b>	4164 Salsa forbo lino top with edge band <input type="checkbox"/> A	+\$7872
<b>J66</b>	4166 Charcoal forbo lino top with edge band <input type="checkbox"/> A	+\$7872
<b>J72</b>	4172 Mauve forbo lino top with edge band <input type="checkbox"/> A	+\$7872
<b>J74</b>	4174 Conifer forbo lino top with edge band <input type="checkbox"/> A	+\$7872
<b>J75</b>	4175 Pebble forbo lino top with edge band <input type="checkbox"/> A	+\$7872
<b>J76</b>	4176 Mushroom forbo lino top with edge band <input type="checkbox"/> A	+\$7872
<b>J77</b>	4177 Vapour forbo lino top with edge band <input type="checkbox"/> A	+\$7872
<b>J78</b>	4178 Iron forbo lino top with edge band <input type="checkbox"/> A	+\$7872
<b>J79</b>	4179 Smokey Blue forbo lino top with edge band <input type="checkbox"/> A	+\$7872
<b>J80</b>	4180 Aquavert forbo lino top with edge band <input type="checkbox"/> A	+\$7872
<b>J81</b>	4181 Midnight Blue forbo lino top with edge band <input type="checkbox"/> A	+\$7872
<b>J82</b>	4182 Spring Green forbo lino top with edge band <input type="checkbox"/> A	+\$7872
<b>J83</b>	4183 Pistachio forbo lino top with edge band <input type="checkbox"/> A	+\$7872
<b>J84</b>	4184 Olive forbo lino top with edge band <input type="checkbox"/> A	+\$7872
<b>J85</b>	4185 Powder forbo lino top with edge band <input type="checkbox"/> A	+\$7872
<b>J86</b>	4186 Orange Blast forbo lino top with edge band <input type="checkbox"/> A	+\$7872

**Step 8. Dot Power Port Finish**

*For rectangular table - 2800w x 1400d - 6 leg (28), rectangular table - 3600w x 1400d - 6 leg (36), rectangular table - 4000w x 1400d - 8 leg (40), rectangular table - 4400w x 1400d - 6 leg (44), rectangular table - 4800w x 1400d - 8 leg (48), rectangular table - 5600w x 1400d - 8 leg (56), or rectangular table - 6400w x 1400d - 8 leg (64) with no dot power port, no cable management (A), or no dot power port, comes with cable tray and cable managed leg (X)*

<b>N</b>	no selection necessary <input type="checkbox"/> A	+\$0
----------	---	------

*For rectangular table - 2800w x 1400d - 6 leg (28), rectangular table - 3600w x 1400d - 6 leg (36), or rectangular table - 4400w x 1400d - 6 leg (44) with dot power ports, cable trays, no cable managed leg (B), or dot power ports, cable trays and cable managed leg (Y)*

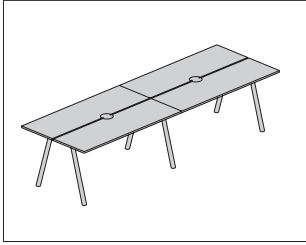
<b>R00</b>	black RAL 9005 <input type="checkbox"/> A	+\$0
<b>R14</b>	signal white RAL9003 <input type="checkbox"/> A	+\$0
<b>R02</b>	stone grey RAL 7030 <input type="checkbox"/> A	+\$0
<b>R03</b>	silver - RAL 9006 <input type="checkbox"/> A	+\$0
<b>R08</b>	traffic orange RAL 2009 <input type="checkbox"/> A	+\$0
<b>R13</b>	pastel blue RAL 5024 <input type="checkbox"/> A	+\$0
<b>R23</b>	black grey RAL 7021 <input type="checkbox"/> A	+\$0
<b>R24</b>	leaf green RAL 6002 <input type="checkbox"/> A	+\$0
<b>R25</b>	pale green RAL 6021 <input type="checkbox"/> A	+\$0
<b>R26</b>	RAL 3020 red <input type="checkbox"/> A	+\$0
<b>R28</b>	light pink RAL 3015 <input type="checkbox"/> A	+\$0
<b>R29</b>	dark blue RAL 5001 <input type="checkbox"/> A	+\$0
<b>R30</b>	oyster RAL 1013 <input type="checkbox"/> A	+\$0
<b>R38</b>	broom yellow RAL 1032 <input type="checkbox"/> A	+\$0
<b>R39</b>	moss green RAL 6005 <input type="checkbox"/> A	+\$0
<b>R40</b>	steel blue RAL 5011 <input type="checkbox"/> A	+\$0

*For rectangular table - 4000w x 1400d - 8 leg (40), rectangular table - 4800w x 1400d - 8 leg (48), rectangular table - 5600w x 1400d - 8 leg (56), or rectangular table - 6400w x 1400d - 8 leg (64) with dot power ports, cable trays, no cable managed leg (B), or dot power ports, cable trays and cable managed leg (Y)*

<b>R00</b>	black RAL 9005 <input type="checkbox"/> A	+\$0
<b>R14</b>	signal white RAL9003 <input type="checkbox"/> A	+\$0
<b>R02</b>	stone grey RAL 7030 <input type="checkbox"/> A	+\$0
<b>R03</b>	silver - RAL 9006 <input type="checkbox"/> A	+\$0
<b>R08</b>	traffic orange RAL 2009 <input type="checkbox"/> A	+\$0
<b>R13</b>	pastel blue RAL 5024 <input type="checkbox"/> A	+\$0
<b>R23</b>	black grey RAL 7021 <input type="checkbox"/> A	+\$0
<b>R24</b>	leaf green RAL 6002 <input type="checkbox"/> A	+\$0
<b>R25</b>	pale green RAL 6021 <input type="checkbox"/> A	+\$0
<b>R26</b>	RAL 3020 red <input type="checkbox"/> A	+\$0
<b>R28</b>	light pink RAL 3015 <input type="checkbox"/> A	+\$0
<b>R29</b>	dark blue RAL 5001 <input type="checkbox"/> A	+\$0
<b>R30</b>	oyster RAL 1013 <input type="checkbox"/> A	+\$0
<b>R38</b>	broom yellow RAL 1032 <input type="checkbox"/> A	+\$0
<b>R39</b>	moss green RAL 6005 <input type="checkbox"/> A	+\$0
<b>R40</b>	steel blue RAL 5011 <input type="checkbox"/> A	+\$0

# Morse Bar Height 55" Deep Work Table Configuration

NOMSD



## Product Information

### Description

This table has a laser cut and folded mild steel underframe, finished with polyester powder coat. Legs come in either powder coated mild steel, or solid wood finished in a clear lacquer. Tops are available in a variety of materials and finishes. Fixed height legs provide 3/4" of leveling adjustment. Product is delivered unassembled.

### Notes

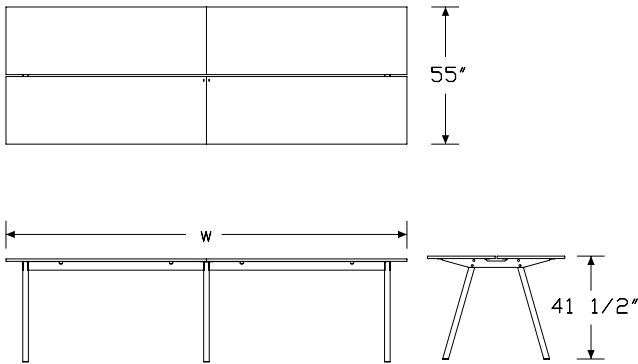
When specified with a cable managed leg, a standard leg is replaced with a version that has an aperture to guide a cable from table top to floor. Cable managed leg can be used in any leg position.

Table tops are provided with an accessories channel. Morse accessories (NOMA) are ordered separately.

Morse power units (NOMSPWR) which are suited to the dot power ports are ordered separately.

Dimensional illustration does not contain all configurations.

## Dimensions



## Specification Information

### Step 1.

**NOMSDG5**

### Step 2. Type

<b>28</b>	bar height rectangular table - 2800w x 1400d - 6 leg	<input type="checkbox"/>	+\$7817
<b>36</b>	bar height rectangular table - 3600w x 1400d - 6 leg	<input type="checkbox"/>	+\$8996
<b>40</b>	bar height rectangular table - 4000w x 1400d - 8 leg	<input type="checkbox"/>	+\$11257
<b>44</b>	bar height rectangular table - 4400w x 1400d - 6 leg	<input type="checkbox"/>	+\$10175
<b>48</b>	bar height rectangular table - 4800w x 1400d - 8 leg	<input type="checkbox"/>	+\$12436
<b>56</b>	bar height rectangular table - 5600w x 1400d - 8 leg	<input type="checkbox"/>	+\$13616
<b>64</b>	bar height rectangular table - 6400w x 1400d - 8 leg	<input type="checkbox"/>	+\$14795

### Step 3. Cable Management

For bar height rectangular table - 2800w x 1400d - 6 leg (28), bar height rectangular table - 3600w x 1400d - 6 leg (36), or bar height rectangular table - 4400w x 1400d - 6 leg (44)

<b>A</b>	no dot power port, no cable management	<input type="checkbox"/>	+\$0
<b>B</b>	dot power ports, cable trays, no cable managed leg	<input type="checkbox"/>	+\$1278
<b>X</b>	no dot power port, comes with cable tray and cable managed leg	<input type="checkbox"/>	+\$983
<b>Y</b>	dot power ports, cable trays and cable managed leg	<input type="checkbox"/>	+\$1572

For bar height rectangular table - 4000w x 1400d - 8 leg (40), bar height rectangular table - 4800w x 1400d - 8 leg (48), bar height rectangular table - 5600w x 1400d - 8 leg (56), or bar height rectangular table - 6400w x 1400d - 8 leg (64)

<b>A</b>	no dot power port, no cable management	<input type="checkbox"/>	+\$0
<b>B</b>	dot power ports, cable trays, no cable managed leg	<input type="checkbox"/>	+\$1917
<b>X</b>	no dot power port, comes with cable tray and cable managed leg	<input type="checkbox"/>	+\$1622
<b>Y</b>	dot power ports, cable trays and cable managed leg	<input type="checkbox"/>	+\$2506

### Step 4. Leg Material

<b>W</b>	wood	<input type="checkbox"/>	+\$0
<b>S</b>	steel	<input type="checkbox"/>	+\$0

# Morse Bar Height 55" Deep Work Table Configuration *continued*

## Step 5. Leg Finish

For bar height rectangular table - 2800w x 1400d - 6 leg (28), bar height rectangular table - 3600w x 1400d - 6 leg (36), or bar height rectangular table - 4400w x 1400d - 6 leg (44) with wood (W)

**OAK** oak  +\$454

For bar height rectangular table - 2800w x 1400d - 6 leg (28), bar height rectangular table - 3600w x 1400d - 6 leg (36), or bar height rectangular table - 4400w x 1400d - 6 leg (44) with steel (S)

<b>R00</b>	black RAL 9005 <input type="checkbox"/>	+\$0
<b>R14</b>	signal white RAL9003 <input type="checkbox"/>	+\$0
<b>R02</b>	stone grey RAL 7030 <input type="checkbox"/>	+\$454
<b>R03</b>	silver - RAL 9006 <input type="checkbox"/>	+\$454
<b>R08</b>	traffic orange RAL 2009 <input type="checkbox"/>	+\$454
<b>R13</b>	pastel blue RAL 5024 <input type="checkbox"/>	+\$454
<b>R23</b>	black grey RAL 7021 <input type="checkbox"/>	+\$454
<b>R24</b>	leaf green RAL 6002 <input type="checkbox"/>	+\$454
<b>R25</b>	pale green RAL 6021 <input type="checkbox"/>	+\$454
<b>R26</b>	RAL 3020 red <input type="checkbox"/>	+\$454
<b>R28</b>	light pink RAL 3015 <input type="checkbox"/>	+\$454
<b>R29</b>	dark blue RAL 5001 <input type="checkbox"/>	+\$454
<b>R30</b>	oyster RAL 1013 <input type="checkbox"/>	+\$454
<b>R38</b>	broom yellow RAL 1032 <input type="checkbox"/>	+\$454
<b>R39</b>	moss green RAL 6005 <input type="checkbox"/>	+\$454
<b>R40</b>	steel blue RAL 5011 <input type="checkbox"/>	+\$454

For bar height rectangular table - 4000w x 1400d - 8 leg (40), bar height rectangular table - 4800w x 1400d - 8 leg (48), bar height rectangular table - 5600w x 1400d - 8 leg (56), or bar height rectangular table - 6400w x 1400d - 8 leg (64) with wood (W)

**OAK** oak  +\$605

For bar height rectangular table - 4000w x 1400d - 8 leg (40), bar height rectangular table - 4800w x 1400d - 8 leg (48), bar height rectangular table - 5600w x 1400d - 8 leg (56), or bar height rectangular table - 6400w x 1400d - 8 leg (64) with steel (S)

<b>R00</b>	black RAL 9005 <input type="checkbox"/>	+\$0
<b>R14</b>	signal white RAL9003 <input type="checkbox"/>	+\$0
<b>R02</b>	stone grey RAL 7030 <input type="checkbox"/>	+\$605
<b>R03</b>	silver - RAL 9006 <input type="checkbox"/>	+\$605
<b>R08</b>	traffic orange RAL 2009 <input type="checkbox"/>	+\$605
<b>R13</b>	pastel blue RAL 5024 <input type="checkbox"/>	+\$605
<b>R23</b>	black grey RAL 7021 <input type="checkbox"/>	+\$605
<b>R24</b>	leaf green RAL 6002 <input type="checkbox"/>	+\$605
<b>R25</b>	pale green RAL 6021 <input type="checkbox"/>	+\$605
<b>R26</b>	RAL 3020 red <input type="checkbox"/>	+\$605
<b>R28</b>	light pink RAL 3015 <input type="checkbox"/>	+\$605
<b>R29</b>	dark blue RAL 5001 <input type="checkbox"/>	+\$605
<b>R30</b>	oyster RAL 1013 <input type="checkbox"/>	+\$605
<b>R38</b>	broom yellow RAL 1032 <input type="checkbox"/>	+\$605
<b>R39</b>	moss green RAL 6005 <input type="checkbox"/>	+\$605
<b>R40</b>	steel blue RAL 5011 <input type="checkbox"/>	+\$605

## Step 6. Under-Frame Finish

For bar height rectangular table - 2800w x 1400d - 6 leg (28), bar height rectangular table - 3600w x 1400d - 6 leg (36), or bar height rectangular table - 4400w x 1400d - 6 leg (44)

<b>R00</b>	black RAL 9005 <input type="checkbox"/>	+\$0
<b>R14</b>	signal white RAL9003 <input type="checkbox"/>	+\$0
<b>R02</b>	stone grey RAL 7030 <input type="checkbox"/>	+\$832
<b>R03</b>	silver - RAL 9006 <input type="checkbox"/>	+\$832
<b>R08</b>	traffic orange RAL 2009 <input type="checkbox"/>	+\$832
<b>R13</b>	pastel blue RAL 5024 <input type="checkbox"/>	+\$832
<b>R23</b>	black grey RAL 7021 <input type="checkbox"/>	+\$832
<b>R24</b>	leaf green RAL 6002 <input type="checkbox"/>	+\$832
<b>R25</b>	pale green RAL 6021 <input type="checkbox"/>	+\$832
<b>R26</b>	RAL 3020 red <input type="checkbox"/>	+\$832
<b>R28</b>	light pink RAL 3015 <input type="checkbox"/>	+\$832
<b>R29</b>	dark blue RAL 5001 <input type="checkbox"/>	+\$832
<b>R30</b>	oyster RAL 1013 <input type="checkbox"/>	+\$832
<b>R38</b>	broom yellow RAL 1032 <input type="checkbox"/>	+\$832
<b>R39</b>	moss green RAL 6005 <input type="checkbox"/>	+\$832
<b>R40</b>	steel blue RAL 5011 <input type="checkbox"/>	+\$832

# Morse Bar Height 55" Deep Work Table Configuration *continued*

For bar height rectangular table - 4000w x 1400d - 8 leg (40), bar height rectangular table - 4800w x 1400d - 8 leg (48), bar height rectangular table - 5600w x 1400d - 8 leg (56), or bar height rectangular table - 6400w x 1400d - 8 leg (64)

<b>R00</b>	black RAL 9005 <input type="checkbox"/>	+\$0
<b>R14</b>	signal white RAL9003 <input type="checkbox"/>	+\$0
<b>R02</b>	stone grey RAL 7030 <input type="checkbox"/>	+\$1210
<b>R03</b>	silver - RAL 9006 <input type="checkbox"/>	+\$1210
<b>R08</b>	traffic orange RAL 2009 <input type="checkbox"/>	+\$1210
<b>R13</b>	pastel blue RAL 5024 <input type="checkbox"/>	+\$1210
<b>R23</b>	black grey RAL 7021 <input type="checkbox"/>	+\$1210
<b>R24</b>	leaf green RAL 6002 <input type="checkbox"/>	+\$1210
<b>R25</b>	pale green RAL 6021 <input type="checkbox"/>	+\$1210
<b>R26</b>	RAL 3020 red <input type="checkbox"/>	+\$1210
<b>R28</b>	light pink RAL 3015 <input type="checkbox"/>	+\$1210
<b>R29</b>	dark blue RAL 5001 <input type="checkbox"/>	+\$1210
<b>R30</b>	oyster RAL 1013 <input type="checkbox"/>	+\$1210
<b>R38</b>	broom yellow RAL 1032 <input type="checkbox"/>	+\$1210
<b>R39</b>	moss green RAL 6005 <input type="checkbox"/>	+\$1210
<b>R40</b>	steel blue RAL 5011 <input type="checkbox"/>	+\$1210

## Step 7. Surface Finish

For bar height rectangular table - 2800w x 1400d - 6 leg (28)

<b>BSE</b>	black MFMDf top with edge band <input type="checkbox"/>	+\$0
<b>WSE</b>	white MFMDf top with edge band <input type="checkbox"/>	+\$0
<b>OKE</b>	oak veneer top with edge band <input type="checkbox"/>	+\$3770
<b>J23</b>	4023 Nero forbo lino top with edge band <input type="checkbox"/>	+\$4373
<b>J32</b>	4132 Ash forbo lino top with edge band <input type="checkbox"/>	+\$4373
<b>J55</b>	4155 Pewter forbo lino top with edge band <input type="checkbox"/>	+\$4373
<b>J57</b>	4157 Pearl forbo lino top with edge band <input type="checkbox"/>	+\$4373
<b>J64</b>	4164 Salsa forbo lino top with edge band <input type="checkbox"/>	+\$4373
<b>J66</b>	4166 Charcoal forbo lino top with edge band <input type="checkbox"/>	+\$4373
<b>J72</b>	4172 Mauve forbo lino top with edge band <input type="checkbox"/>	+\$4373
<b>J74</b>	4174 Conifer forbo lino top with edge band <input type="checkbox"/>	+\$4373
<b>J75</b>	4175 Pebble forbo lino top with edge band <input type="checkbox"/>	+\$4373
<b>J76</b>	4176 Mushroom forbo lino top with edge band <input type="checkbox"/>	+\$4373
<b>J77</b>	4177 Vapour forbo lino top with edge band <input type="checkbox"/>	+\$4373
<b>J78</b>	4178 Iron forbo lino top with edge band <input type="checkbox"/>	+\$4373
<b>J79</b>	4179 Smokey Blue forbo lino top with edge band <input type="checkbox"/>	+\$4373
<b>J80</b>	4180 Aquavert forbo lino top with edge band <input type="checkbox"/>	+\$4373
<b>J81</b>	4181 Midnight Blue forbo lino top with edge band <input type="checkbox"/>	+\$4373
<b>J82</b>	4182 Spring Green forbo lino top with edge band <input type="checkbox"/>	+\$4373
<b>J83</b>	4183 Pistachio forbo lino top with edge band <input type="checkbox"/>	+\$4373
<b>J84</b>	4184 Olive forbo lino top with edge band <input type="checkbox"/>	+\$4373
<b>J85</b>	4185 Powder forbo lino top with edge band <input type="checkbox"/>	+\$4373
<b>J86</b>	4186 Orange Blast forbo lino top with edge band <input type="checkbox"/>	+\$4373

For bar height rectangular table - 3600w x 1400d - 6 leg (36)

<b>BSE</b>	black MFMDf top with edge band <input type="checkbox"/>	+\$0
<b>WSE</b>	white MFMDf top with edge band <input type="checkbox"/>	+\$0
<b>OKE</b>	oak veneer top with edge band <input type="checkbox"/>	+\$4120
<b>J23</b>	4023 Nero forbo lino top with edge band <input type="checkbox"/>	+\$4935
<b>J32</b>	4132 Ash forbo lino top with edge band <input type="checkbox"/>	+\$4935
<b>J55</b>	4155 Pewter forbo lino top with edge band <input type="checkbox"/>	+\$4935
<b>J57</b>	4157 Pearl forbo lino top with edge band <input type="checkbox"/>	+\$4935
<b>J64</b>	4164 Salsa forbo lino top with edge band <input type="checkbox"/>	+\$4935
<b>J66</b>	4166 Charcoal forbo lino top with edge band <input type="checkbox"/>	+\$4935
<b>J72</b>	4172 Mauve forbo lino top with edge band <input type="checkbox"/>	+\$4935
<b>J74</b>	4174 Conifer forbo lino top with edge band <input type="checkbox"/>	+\$4935
<b>J75</b>	4175 Pebble forbo lino top with edge band <input type="checkbox"/>	+\$4935
<b>J76</b>	4176 Mushroom forbo lino top with edge band <input type="checkbox"/>	+\$4935
<b>J77</b>	4177 Vapour forbo lino top with edge band <input type="checkbox"/>	+\$4935
<b>J78</b>	4178 Iron forbo lino top with edge band <input type="checkbox"/>	+\$4935
<b>J79</b>	4179 Smokey Blue forbo lino top with edge band <input type="checkbox"/>	+\$4935
<b>J80</b>	4180 Aquavert forbo lino top with edge band <input type="checkbox"/>	+\$4935
<b>J81</b>	4181 Midnight Blue forbo lino top with edge band <input type="checkbox"/>	+\$4935
<b>J82</b>	4182 Spring Green forbo lino top with edge band <input type="checkbox"/>	+\$4935
<b>J83</b>	4183 Pistachio forbo lino top with edge band <input type="checkbox"/>	+\$4935
<b>J84</b>	4184 Olive forbo lino top with edge band <input type="checkbox"/>	+\$4935
<b>J85</b>	4185 Powder forbo lino top with edge band <input type="checkbox"/>	+\$4935
<b>J86</b>	4186 Orange Blast forbo lino top with edge band <input type="checkbox"/>	+\$4935

Morse Bar Height 55" Deep Work  
Table Configuration *continued*

NaughtOne® Meeting Tables

*For bar height rectangular table - 4000w x 1400d - 8 leg (40)*

<b>BSE</b>	black MFMDf top with edge band <input type="checkbox"/>	+\$0
<b>WSE</b>	white MFMDf top with edge band <input type="checkbox"/>	+\$0
<b>OKE</b>	oak veneer top with edge band <input type="checkbox"/>	+\$5169
<b>J23</b>	4023 Nero forbo lino top with edge band <input type="checkbox"/>	+\$6060
<b>J32</b>	4132 Ash forbo lino top with edge band <input type="checkbox"/>	+\$6060
<b>J55</b>	4155 Pewter forbo lino top with edge band <input type="checkbox"/>	+\$6060
<b>J57</b>	4157 Pearl forbo lino top with edge band <input type="checkbox"/>	+\$6060
<b>J64</b>	4164 Salsa forbo lino top with edge band <input type="checkbox"/>	+\$6060
<b>J66</b>	4166 Charcoal forbo lino top with edge band <input type="checkbox"/>	+\$6060
<b>J72</b>	4172 Mauve forbo lino top with edge band <input type="checkbox"/>	+\$6060
<b>J74</b>	4174 Conifer forbo lino top with edge band <input type="checkbox"/>	+\$6060
<b>J75</b>	4175 Pebble forbo lino top with edge band <input type="checkbox"/>	+\$6060
<b>J76</b>	4176 Mushroom forbo lino top with edge band <input type="checkbox"/>	+\$6060
<b>J77</b>	4177 Vapour forbo lino top with edge band <input type="checkbox"/>	+\$6060
<b>J78</b>	4178 Iron forbo lino top with edge band <input type="checkbox"/>	+\$6060
<b>J79</b>	4179 Smokey Blue forbo lino top with edge band <input type="checkbox"/>	+\$6060
<b>J80</b>	4180 Aquavert forbo lino top with edge band <input type="checkbox"/>	+\$6060
<b>J81</b>	4181 Midnight Blue forbo lino top with edge band <input type="checkbox"/>	+\$6060
<b>J82</b>	4182 Spring Green forbo lino top with edge band <input type="checkbox"/>	+\$6060
<b>J83</b>	4183 Pistachio forbo lino top with edge band <input type="checkbox"/>	+\$6060
<b>J84</b>	4184 Olive forbo lino top with edge band <input type="checkbox"/>	+\$6060
<b>J85</b>	4185 Powder forbo lino top with edge band <input type="checkbox"/>	+\$6060
<b>J86</b>	4186 Orange Blast forbo lino top with edge band <input type="checkbox"/>	+\$6060

*For bar height rectangular table - 4400w x 1400d - 6 leg (44)*

<b>BSE</b>	black MFMDf top with edge band <input type="checkbox"/>	+\$0
<b>WSE</b>	white MFMDf top with edge band <input type="checkbox"/>	+\$0
<b>OKE</b>	oak veneer top with edge band <input type="checkbox"/>	+\$4460
<b>J23</b>	4023 Nero forbo lino top with edge band <input type="checkbox"/>	+\$5488
<b>J32</b>	4132 Ash forbo lino top with edge band <input type="checkbox"/>	+\$5488
<b>J55</b>	4155 Pewter forbo lino top with edge band <input type="checkbox"/>	+\$5488
<b>J57</b>	4157 Pearl forbo lino top with edge band <input type="checkbox"/>	+\$5488
<b>J64</b>	4164 Salsa forbo lino top with edge band <input type="checkbox"/>	+\$5488
<b>J66</b>	4166 Charcoal forbo lino top with edge band <input type="checkbox"/>	+\$5488
<b>J72</b>	4172 Mauve forbo lino top with edge band <input type="checkbox"/>	+\$5488
<b>J74</b>	4174 Conifer forbo lino top with edge band <input type="checkbox"/>	+\$5488
<b>J75</b>	4175 Pebble forbo lino top with edge band <input type="checkbox"/>	+\$5488
<b>J76</b>	4176 Mushroom forbo lino top with edge band <input type="checkbox"/>	+\$5488
<b>J77</b>	4177 Vapour forbo lino top with edge band <input type="checkbox"/>	+\$5488
<b>J78</b>	4178 Iron forbo lino top with edge band <input type="checkbox"/>	+\$5488
<b>J79</b>	4179 Smokey Blue forbo lino top with edge band <input type="checkbox"/>	+\$5488
<b>J80</b>	4180 Aquavert forbo lino top with edge band <input type="checkbox"/>	+\$5488
<b>J81</b>	4181 Midnight Blue forbo lino top with edge band <input type="checkbox"/>	+\$5488
<b>J82</b>	4182 Spring Green forbo lino top with edge band <input type="checkbox"/>	+\$5488
<b>J83</b>	4183 Pistachio forbo lino top with edge band <input type="checkbox"/>	+\$5488
<b>J84</b>	4184 Olive forbo lino top with edge band <input type="checkbox"/>	+\$5488
<b>J85</b>	4185 Powder forbo lino top with edge band <input type="checkbox"/>	+\$5488
<b>J86</b>	4186 Orange Blast forbo lino top with edge band <input type="checkbox"/>	+\$5488

# Morse Bar Height 55" Deep Work Table Configuration *continued*

## For bar height rectangular table - 4800w x 1400d - 8 leg (48)

<b>BSE</b>	black MFMDf top with edge band <input type="checkbox"/>	+\$0
<b>WSE</b>	white MFMDf top with edge band <input type="checkbox"/>	+\$0
<b>OKE</b>	oak veneer top with edge band <input type="checkbox"/>	+\$5698
<b>J23</b>	4023 Nero forbo lino top with edge band <input type="checkbox"/>	+\$6765
<b>J32</b>	4132 Ash forbo lino top with edge band <input type="checkbox"/>	+\$6765
<b>J55</b>	4155 Pewter forbo lino top with edge band <input type="checkbox"/>	+\$6765
<b>J57</b>	4157 Pearl forbo lino top with edge band <input type="checkbox"/>	+\$6765
<b>J64</b>	4164 Salsa forbo lino top with edge band <input type="checkbox"/>	+\$6765
<b>J66</b>	4166 Charcoal forbo lino top with edge band <input type="checkbox"/>	+\$6765
<b>J72</b>	4172 Mauve forbo lino top with edge band <input type="checkbox"/>	+\$6765
<b>J74</b>	4174 Conifer forbo lino top with edge band <input type="checkbox"/>	+\$6765
<b>J75</b>	4175 Pebble forbo lino top with edge band <input type="checkbox"/>	+\$6765
<b>J76</b>	4176 Mushroom forbo lino top with edge band <input type="checkbox"/>	+\$6765
<b>J77</b>	4177 Vapour forbo lino top with edge band <input type="checkbox"/>	+\$6765
<b>J78</b>	4178 Iron forbo lino top with edge band <input type="checkbox"/>	+\$6765
<b>J79</b>	4179 Smokey Blue forbo lino top with edge band <input type="checkbox"/>	+\$6765
<b>J80</b>	4180 Aquavert forbo lino top with edge band <input type="checkbox"/>	+\$6765
<b>J81</b>	4181 Midnight Blue forbo lino top with edge band <input type="checkbox"/>	+\$6765
<b>J82</b>	4182 Spring Green forbo lino top with edge band <input type="checkbox"/>	+\$6765
<b>J83</b>	4183 Pistachio forbo lino top with edge band <input type="checkbox"/>	+\$6765
<b>J84</b>	4184 Olive forbo lino top with edge band <input type="checkbox"/>	+\$6765
<b>J85</b>	4185 Powder forbo lino top with edge band <input type="checkbox"/>	+\$6765
<b>J86</b>	4186 Orange Blast forbo lino top with edge band <input type="checkbox"/>	+\$6765

## For bar height rectangular table - 5600w x 1400d - 8 leg (56)

<b>BSE</b>	black MFMDf top with edge band <input type="checkbox"/>	+\$0
<b>WSE</b>	white MFMDf top with edge band <input type="checkbox"/>	+\$0
<b>OKE</b>	oak veneer top with edge band <input type="checkbox"/>	+\$5859
<b>J23</b>	4023 Nero forbo lino top with edge band <input type="checkbox"/>	+\$7176
<b>J32</b>	4132 Ash forbo lino top with edge band <input type="checkbox"/>	+\$7176
<b>J55</b>	4155 Pewter forbo lino top with edge band <input type="checkbox"/>	+\$7176
<b>J57</b>	4157 Pearl forbo lino top with edge band <input type="checkbox"/>	+\$7176
<b>J64</b>	4164 Salsa forbo lino top with edge band <input type="checkbox"/>	+\$7176
<b>J66</b>	4166 Charcoal forbo lino top with edge band <input type="checkbox"/>	+\$7176
<b>J72</b>	4172 Mauve forbo lino top with edge band <input type="checkbox"/>	+\$7176
<b>J74</b>	4174 Conifer forbo lino top with edge band <input type="checkbox"/>	+\$7176
<b>J75</b>	4175 Pebble forbo lino top with edge band <input type="checkbox"/>	+\$7176
<b>J76</b>	4176 Mushroom forbo lino top with edge band <input type="checkbox"/>	+\$7176
<b>J77</b>	4177 Vapour forbo lino top with edge band <input type="checkbox"/>	+\$7176
<b>J78</b>	4178 Iron forbo lino top with edge band <input type="checkbox"/>	+\$7176
<b>J79</b>	4179 Smokey Blue forbo lino top with edge band <input type="checkbox"/>	+\$7176
<b>J80</b>	4180 Aquavert forbo lino top with edge band <input type="checkbox"/>	+\$7176
<b>J81</b>	4181 Midnight Blue forbo lino top with edge band <input type="checkbox"/>	+\$7176
<b>J82</b>	4182 Spring Green forbo lino top with edge band <input type="checkbox"/>	+\$7176
<b>J83</b>	4183 Pistachio forbo lino top with edge band <input type="checkbox"/>	+\$7176
<b>J84</b>	4184 Olive forbo lino top with edge band <input type="checkbox"/>	+\$7176
<b>J85</b>	4185 Powder forbo lino top with edge band <input type="checkbox"/>	+\$7176
<b>J86</b>	4186 Orange Blast forbo lino top with edge band <input type="checkbox"/>	+\$7176

# Morse Bar Height 55" Deep Work Table Configuration *continued*

*For bar height rectangular table - 6400w x 1400d - 8 leg (64)*

<b>BSE</b>	black MFMDF top with edge band <input type="checkbox"/>	+\$0
<b>WSE</b>	white MFMDF top with edge band <input type="checkbox"/>	+\$0
<b>OKE</b>	oak veneer top with edge band <input type="checkbox"/>	+\$6378
<b>J23</b>	4023 Nero forbo lino top with edge band <input type="checkbox"/>	+\$7872
<b>J32</b>	4132 Ash forbo lino top with edge band <input type="checkbox"/>	+\$7872
<b>J55</b>	4155 Pewter forbo lino top with edge band <input type="checkbox"/>	+\$7872
<b>J57</b>	4157 Pearl forbo lino top with edge band <input type="checkbox"/>	+\$7872
<b>J64</b>	4164 Salsa forbo lino top with edge band <input type="checkbox"/>	+\$7872
<b>J66</b>	4166 Charcoal forbo lino top with edge band <input type="checkbox"/>	+\$7872
<b>J72</b>	4172 Mauve forbo lino top with edge band <input type="checkbox"/>	+\$7872
<b>J74</b>	4174 Conifer forbo lino top with edge band <input type="checkbox"/>	+\$7872
<b>J75</b>	4175 Pebble forbo lino top with edge band <input type="checkbox"/>	+\$7872
<b>J76</b>	4176 Mushroom forbo lino top with edge band <input type="checkbox"/>	+\$7872
<b>J77</b>	4177 Vapour forbo lino top with edge band <input type="checkbox"/>	+\$7872
<b>J78</b>	4178 Iron forbo lino top with edge band <input type="checkbox"/>	+\$7872
<b>J79</b>	4179 Smokey Blue forbo lino top with edge band <input type="checkbox"/>	+\$7872
<b>J80</b>	4180 Aquavert forbo lino top with edge band <input type="checkbox"/>	+\$7872
<b>J81</b>	4181 Midnight Blue forbo lino top with edge band <input type="checkbox"/>	+\$7872
<b>J82</b>	4182 Spring Green forbo lino top with edge band <input type="checkbox"/>	+\$7872
<b>J83</b>	4183 Pistachio forbo lino top with edge band <input type="checkbox"/>	+\$7872
<b>J84</b>	4184 Olive forbo lino top with edge band <input type="checkbox"/>	+\$7872
<b>J85</b>	4185 Powder forbo lino top with edge band <input type="checkbox"/>	+\$7872
<b>J86</b>	4186 Orange Blast forbo lino top with edge band <input type="checkbox"/>	+\$7872

**Step 8. Dot Power Port Finish**

*For bar height rectangular table - 2800w x 1400d - 6 leg (28), bar height rectangular table - 3600w x 1400d - 6 leg (36), bar height rectangular table - 4000w x 1400d - 8 leg (40), bar height rectangular table - 4400w x 1400d - 6 leg (44), bar height rectangular table - 4800w x 1400d - 8 leg (48), bar height rectangular table - 5600w x 1400d - 8 leg (56), or bar height rectangular table - 6400w x 1400d - 8 leg (64) with no dot power port, no cable management (A), or no dot power port, comes with cable tray and cable managed leg (X)*

<b>N</b>	no selection necessary <input type="checkbox"/>	+\$0
----------	---	------

*For bar height rectangular table - 2800w x 1400d - 6 leg (28), bar height rectangular table - 3600w x 1400d - 6 leg (36), or bar height rectangular table - 4400w x 1400d - 6 leg (44) with dot power ports, cable trays, no cable managed leg (B), or dot power ports, cable trays and cable managed leg (Y)*

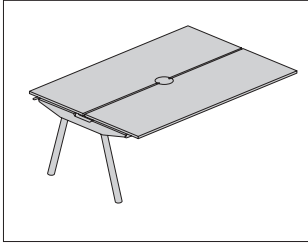
<b>R00</b>	black RAL 9005 <input type="checkbox"/>	+\$0
<b>R14</b>	signal white RAL9003 <input type="checkbox"/>	+\$0
<b>R02</b>	stone grey RAL 7030 <input type="checkbox"/>	+\$0
<b>R03</b>	silver - RAL 9006 <input type="checkbox"/>	+\$0
<b>R08</b>	traffic orange RAL 2009 <input type="checkbox"/>	+\$0
<b>R13</b>	pastel blue RAL 5024 <input type="checkbox"/>	+\$0
<b>R23</b>	black grey RAL 7021 <input type="checkbox"/>	+\$0
<b>R24</b>	leaf green RAL 6002 <input type="checkbox"/>	+\$0
<b>R25</b>	pale green RAL 6021 <input type="checkbox"/>	+\$0
<b>R26</b>	RAL 3020 red <input type="checkbox"/>	+\$0
<b>R28</b>	light pink RAL 3015 <input type="checkbox"/>	+\$0
<b>R29</b>	dark blue RAL 5001 <input type="checkbox"/>	+\$0
<b>R30</b>	oyster RAL 1013 <input type="checkbox"/>	+\$0
<b>R38</b>	broom yellow RAL 1032 <input type="checkbox"/>	+\$0
<b>R39</b>	moss green RAL 6005 <input type="checkbox"/>	+\$0
<b>R40</b>	steel blue RAL 5011 <input type="checkbox"/>	+\$0

*For bar height rectangular table - 4000w x 1400d - 8 leg (40), bar height rectangular table - 4800w x 1400d - 8 leg (48), bar height rectangular table - 5600w x 1400d - 8 leg (56), or bar height rectangular table - 6400w x 1400d - 8 leg (64) with dot power ports, cable trays, no cable managed leg (B), or dot power ports, cable trays and cable managed leg (Y)*

<b>R00</b>	black RAL 9005 <input type="checkbox"/>	+\$0
<b>R14</b>	signal white RAL9003 <input type="checkbox"/>	+\$0
<b>R02</b>	stone grey RAL 7030 <input type="checkbox"/>	+\$0
<b>R03</b>	silver - RAL 9006 <input type="checkbox"/>	+\$0
<b>R08</b>	traffic orange RAL 2009 <input type="checkbox"/>	+\$0
<b>R13</b>	pastel blue RAL 5024 <input type="checkbox"/>	+\$0
<b>R23</b>	black grey RAL 7021 <input type="checkbox"/>	+\$0
<b>R24</b>	leaf green RAL 6002 <input type="checkbox"/>	+\$0
<b>R25</b>	pale green RAL 6021 <input type="checkbox"/>	+\$0
<b>R26</b>	RAL 3020 red <input type="checkbox"/>	+\$0
<b>R28</b>	light pink RAL 3015 <input type="checkbox"/>	+\$0
<b>R29</b>	dark blue RAL 5001 <input type="checkbox"/>	+\$0
<b>R30</b>	oyster RAL 1013 <input type="checkbox"/>	+\$0
<b>R38</b>	broom yellow RAL 1032 <input type="checkbox"/>	+\$0
<b>R39</b>	moss green RAL 6005 <input type="checkbox"/>	+\$0
<b>R40</b>	steel blue RAL 5011 <input type="checkbox"/>	+\$0



Morse 55" Deep Work Table Section Middle D  
NOMSD



**Product Information**

**Description**

This table section middle enables creation of longer tables in a Morse Table System build-your-own configuration. It has a laser cut and folded mild steel underframe, finished with polyester powder coat. Legs come in either powder coated mild steel, or solid wood finished in a clear lacquer. Tops are available in a variety of materials and finishes. Fixed height legs provide 3/4" of leveling adjustment. Product is delivered unassembled.

**Notes**

When specified with a cable managed leg, a standard leg is replaced with a version that has an aperture to guide a cable from table top to floor. Cable managed leg can be used in any leg position.

Depth of table section middle must match depth of other table section elements in build-your-own configuration.

Height of table section middle must match height of other table section elements in build-your-own configuration.

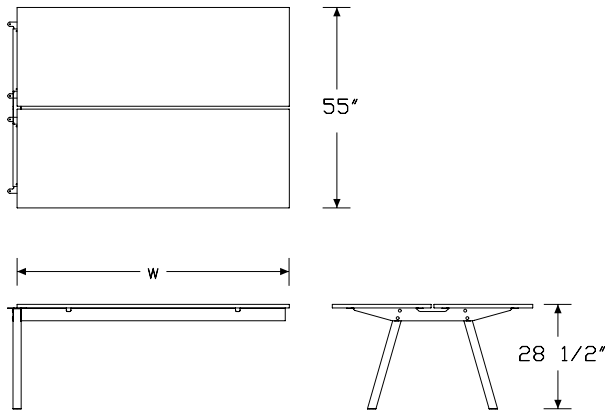
Morse build-your-own table must contain at least 2 section starters (NOMSxSx) or leaf ends (NOMSLFD) and 1 leg set (NOMSLG). Section middles can be used to extend the length of the build-your-own table. Leaf ends are only available for 55" deep build-your-own tables.

Morse power units (NOMSPWR) which are suited to the dot power ports are ordered separately.

Dimensional illustration does not contain all configurations.

For further information, reference Morse Planning Guide.

**Dimensions**



**Specification Information**

**Step 1.**

**NOMSDM3** [A]

**Step 2. Type**

<b>12</b>	table section middle D - 1200w x 1400d [A]	+\$3342
<b>20</b>	table section middle D - 2000w x 1400d [A]	+\$4521

**Step 3. Cable Management**

*For table section middle D - 1200w x 1400d (12)*

<b>A</b>	no dot power port, no cable management [A]	+\$0
<b>B</b>	one dot power port, cable tray, no cable managed leg [A]	+\$640
<b>X</b>	no dot power port, comes with cable tray and cable managed leg [A]	+\$640
<b>Y</b>	one dot power port, comes with cable tray and cable managed leg [A]	+\$934

*For table section middle D - 2000w x 1400d (20)*

<b>A</b>	no dot power port, no cable management [A]	+\$0
<b>B</b>	one dot power port, cable tray, no cable managed leg [A]	+\$640
<b>X</b>	no dot power port, comes with cable tray and cable managed leg [A]	+\$640
<b>Y</b>	one dot power port, comes with cable tray and cable managed leg [A]	+\$934

**Step 4. Leg Material**

<b>W</b>	wood [A]	+\$0
<b>S</b>	steel [A]	+\$0

**Step 5. Leg Finish**

*For wood (W)*

<b>OAK</b>	oak [A]	+\$151
------------	---------	--------

Morse 55" Deep Work Table Section  
Middle D *continued*

*For steel (S)*

R00	black RAL 9005	A	+\$0
R14	signal white RAL9003	A	+\$0
R02	stone grey RAL 7030	A	+\$151
R03	silver - RAL 9006	A	+\$151
R08	traffic orange RAL 2009	A	+\$151
R13	pastel blue RAL 5024	A	+\$151
R23	black grey RAL 7021	A	+\$151
R24	leaf green RAL 6002	A	+\$151
R25	pale green RAL 6021	A	+\$151
R26	RAL 3020 red	A	+\$151
R28	light pink RAL 3015	A	+\$151
R29	dark blue RAL 5001	A	+\$151
R30	oyster RAL 1013	A	+\$151
R38	broom yellow RAL 1032	A	+\$151
R39	moss green RAL 6005	A	+\$151
R40	steel blue RAL 5011	A	+\$151

Step 6. Under-Frame Finish

R00	black RAL 9005	A	+\$0
R14	signal white RAL9003	A	+\$0
R02	stone grey RAL 7030	A	+\$378
R03	silver - RAL 9006	A	+\$378
R08	traffic orange RAL 2009	A	+\$378
R13	pastel blue RAL 5024	A	+\$378
R23	black grey RAL 7021	A	+\$378
R24	leaf green RAL 6002	A	+\$378
R25	pale green RAL 6021	A	+\$378
R26	RAL 3020 red	A	+\$378
R28	light pink RAL 3015	A	+\$378
R29	dark blue RAL 5001	A	+\$378
R30	oyster RAL 1013	A	+\$378
R38	broom yellow RAL 1032	A	+\$378
R39	moss green RAL 6005	A	+\$378
R40	steel blue RAL 5011	A	+\$378

Step 7. Surface Finish

*For table section middle D - 1200w x 1400d (12)*

BSE	black MFMDF top with edge band	A	+\$0
WSE	white MFMDF top with edge band	A	+\$0
OKE	oak veneer top with edge band	A	+\$1409
J23	4023 Nero forbo lino top with edge band	A	+\$1687
J32	4132 Ash forbo lino top with edge band	A	+\$1687
J55	4155 Pewter forbo lino top with edge band	A	+\$1687
J57	4157 Pearl forbo lino top with edge band	A	+\$1687
J64	4164 Salsa forbo lino top with edge band	A	+\$1687
J66	4166 Charcoal forbo lino top with edge band	A	+\$1687
J72	4172 Mauve forbo lino top with edge band	A	+\$1687
J74	4174 Conifer forbo lino top with edge band	A	+\$1687
J75	4175 Pebble forbo lino top with edge band	A	+\$1687
J76	4176 Mushroom forbo lino top with edge band	A	+\$1687
J77	4177 Vapour forbo lino top with edge band	A	+\$1687
J78	4178 Iron forbo lino top with edge band	A	+\$1687
J79	4179 Smokey Blue forbo lino top with edge band	A	+\$1687
J80	4180 Aquavert forbo lino top with edge band	A	+\$1687
J81	4181 Midnight Blue forbo lino top with edge band	A	+\$1687
J82	4182 Spring Green forbo lino top with edge band	A	+\$1687
J83	4183 Pistachio forbo lino top with edge band	A	+\$1687
J84	4184 Olive forbo lino top with edge band	A	+\$1687
J85	4185 Powder forbo lino top with edge band	A	+\$1687
J86	4186 Orange Blast forbo lino top with edge band	A	+\$1687

Morse 55" Deep Work Table Section  
Middle D *continued*

*For table section middle D - 2000w x 1400d (20)*

<b>BSE</b>	black MFMDF top with edge band <input type="checkbox"/>	+\$0
<b>WSE</b>	white MFMDF top with edge band <input type="checkbox"/>	+\$0
<b>OKE</b>	oak veneer top with edge band <input type="checkbox"/>	+\$1919
<b>J23</b>	4023 Nero forbo lino top with edge band <input type="checkbox"/>	+\$2383
<b>J32</b>	4132 Ash forbo lino top with edge band <input type="checkbox"/>	+\$2383
<b>J55</b>	4155 Pewter forbo lino top with edge band <input type="checkbox"/>	+\$2383
<b>J57</b>	4157 Pearl forbo lino top with edge band <input type="checkbox"/>	+\$2383
<b>J64</b>	4164 Salsa forbo lino top with edge band <input type="checkbox"/>	+\$2383
<b>J66</b>	4166 Charcoal forbo lino top with edge band <input type="checkbox"/>	+\$2383
<b>J72</b>	4172 Mauve forbo lino top with edge band <input type="checkbox"/>	+\$2383
<b>J74</b>	4174 Conifer forbo lino top with edge band <input type="checkbox"/>	+\$2383
<b>J75</b>	4175 Pebble forbo lino top with edge band <input type="checkbox"/>	+\$2383
<b>J76</b>	4176 Mushroom forbo lino top with edge band <input type="checkbox"/>	+\$2383
<b>J77</b>	4177 Vapour forbo lino top with edge band <input type="checkbox"/>	+\$2383
<b>J78</b>	4178 Iron forbo lino top with edge band <input type="checkbox"/>	+\$2383
<b>J79</b>	4179 Smokey Blue forbo lino top with edge band <input type="checkbox"/>	+\$2383
<b>J80</b>	4180 Aquavert forbo lino top with edge band <input type="checkbox"/>	+\$2383
<b>J81</b>	4181 Midnight Blue forbo lino top with edge band <input type="checkbox"/>	+\$2383
<b>J82</b>	4182 Spring Green forbo lino top with edge band <input type="checkbox"/>	+\$2383
<b>J83</b>	4183 Pistachio forbo lino top with edge band <input type="checkbox"/>	+\$2383
<b>J84</b>	4184 Olive forbo lino top with edge band <input type="checkbox"/>	+\$2383
<b>J85</b>	4185 Powder forbo lino top with edge band <input type="checkbox"/>	+\$2383
<b>J86</b>	4186 Orange Blast forbo lino top with edge band <input type="checkbox"/>	+\$2383

Step 8. Dot Power Port Finish

*For no dot power port, no cable management (A) or no dot power port, comes with cable tray and cable managed leg (X)*

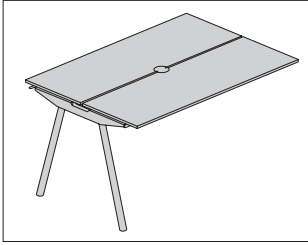
<b>N</b>	no selection necessary <input type="checkbox"/>	+\$0
----------	---	------

*For one dot power port, cable tray, no cable managed leg (B) or one dot power port, comes with cable tray and cable managed leg (Y)*

<b>R00</b>	black RAL 9005 <input type="checkbox"/>	+\$0
<b>R14</b>	signal white RAL9003 <input type="checkbox"/>	+\$0
<b>R02</b>	stone grey RAL 7030 <input type="checkbox"/>	+\$0
<b>R03</b>	silver - RAL 9006 <input type="checkbox"/>	+\$0
<b>R08</b>	traffic orange RAL 2009 <input type="checkbox"/>	+\$0
<b>R13</b>	pastel blue RAL 5024 <input type="checkbox"/>	+\$0
<b>R23</b>	black grey RAL 7021 <input type="checkbox"/>	+\$0
<b>R24</b>	leaf green RAL 6002 <input type="checkbox"/>	+\$0
<b>R25</b>	pale green RAL 6021 <input type="checkbox"/>	+\$0
<b>R26</b>	RAL 3020 red <input type="checkbox"/>	+\$0
<b>R28</b>	light pink RAL 3015 <input type="checkbox"/>	+\$0
<b>R29</b>	dark blue RAL 5001 <input type="checkbox"/>	+\$0
<b>R30</b>	oyster RAL 1013 <input type="checkbox"/>	+\$0
<b>R38</b>	broom yellow RAL 1032 <input type="checkbox"/>	+\$0
<b>R39</b>	moss green RAL 6005 <input type="checkbox"/>	+\$0
<b>R40</b>	steel blue RAL 5011 <input type="checkbox"/>	+\$0

Morse Bar Height 55" Deep Work  
Table Section Middle D

NOMSD



NaughtOne® Meeting Tables

**Product Information**

**Description**

This table section middle enables creation of longer tables in a Morse Table System build-your-own configuration. It has a laser cut and folded mild steel underframe, finished with polyester powder coat. Legs come in either powder coated mild steel, or solid wood finished in a clear lacquer. Tops are available in a variety of materials and finishes. Fixed height legs provide 3/4" of leveling adjustment. Product is delivered unassembled.

**Notes**

When specified with a cable managed leg, a standard leg is replaced with a version that has an aperture to guide a cable from table top to floor. Cable managed leg can be used in any leg position.

Depth of table section middle must match depth of other table section elements in build-your-own configuration.

Height of table section middle must match height of other table section elements in build-your-own configuration.

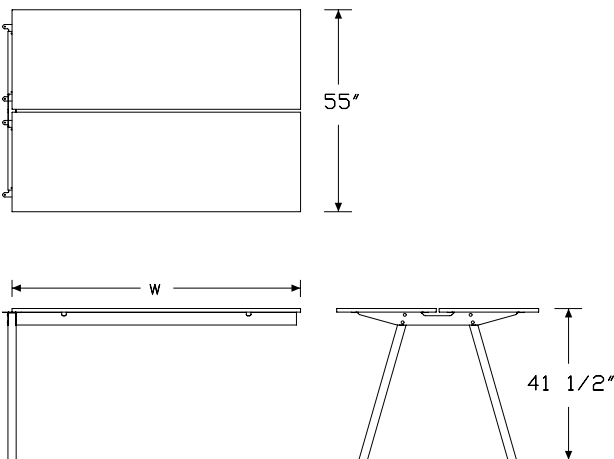
Morse build-your-own table must contain at least 2 section starters (NOMSxSx) or leaf ends (NOMSLFD) and 1 leg set (NOMSLG). Section middles can be used to extend the length of the build-your-own table. Leaf ends are only available for 55" deep build-your-own tables.

Morse power units (NOMSPWR) which are suited to the dot power ports are ordered separately.

Dimensional illustration does not contain all configurations.

For further information, reference Morse Planning Guide.

**Dimensions**



**Specification Information**

**Step 1.**

**NOMSDM5** [A]

**Step 2. Type**

<b>12</b>	bar height table section middle D - 1200w x 1400d	[A]	+\$3440
<b>20</b>	bar height table section middle D - 2000w x 1400d	[A]	+\$4620

**Step 3. Cable Management**

*For bar height table section middle D - 1200w x 1400d (12)*

<b>A</b>	no dot power port, no cable management	[A]	+\$0
<b>B</b>	one dot power port, cable tray, no cable managed leg	[A]	+\$640
<b>X</b>	no dot power port, comes with cable tray and cable managed leg	[A]	+\$640
<b>Y</b>	one dot power port, comes with cable tray and cable managed leg	[A]	+\$934

*For bar height table section middle D - 2000w x 1400d (20)*

<b>A</b>	no dot power port, no cable management	[A]	+\$0
<b>B</b>	one dot power port, cable tray, no cable managed leg	[A]	+\$640
<b>X</b>	no dot power port, comes with cable tray and cable managed leg	[A]	+\$640
<b>Y</b>	one dot power port, comes with cable tray and cable managed leg	[A]	+\$934

**Step 4. Leg Material**

<b>W</b>	wood	[A]	+\$0
<b>S</b>	steel	[A]	+\$0

**Step 5. Leg Finish**

*For wood (W)*

<b>OAK</b>	oak	[A]	+\$151
------------	-----	-----	--------

Morse Bar Height 55" Deep Work  
Table Section Middle D *continued*

For steel (S)

R00	black RAL 9005	A	+\$0
R14	signal white RAL9003	A	+\$0
R02	stone grey RAL 7030	A	+\$151
R03	silver - RAL 9006	A	+\$151
R08	traffic orange RAL 2009	A	+\$151
R13	pastel blue RAL 5024	A	+\$151
R23	black grey RAL 7021	A	+\$151
R24	leaf green RAL 6002	A	+\$151
R25	pale green RAL 6021	A	+\$151
R26	RAL 3020 red	A	+\$151
R28	light pink RAL 3015	A	+\$151
R29	dark blue RAL 5001	A	+\$151
R30	oyster RAL 1013	A	+\$151
R38	broom yellow RAL 1032	A	+\$151
R39	moss green RAL 6005	A	+\$151
R40	steel blue RAL 5011	A	+\$151

Step 6. Under-Frame Finish

R00	black RAL 9005	A	+\$0
R14	signal white RAL9003	A	+\$0
R02	stone grey RAL 7030	A	+\$378
R03	silver - RAL 9006	A	+\$378
R08	traffic orange RAL 2009	A	+\$378
R13	pastel blue RAL 5024	A	+\$378
R23	black grey RAL 7021	A	+\$378
R24	leaf green RAL 6002	A	+\$378
R25	pale green RAL 6021	A	+\$378
R26	RAL 3020 red	A	+\$378
R28	light pink RAL 3015	A	+\$378
R29	dark blue RAL 5001	A	+\$378
R30	oyster RAL 1013	A	+\$378
R38	broom yellow RAL 1032	A	+\$378
R39	moss green RAL 6005	A	+\$378
R40	steel blue RAL 5011	A	+\$378

Step 7. Surface Finish

For bar height table section middle D - 1200w x 1400d (12)

BSE	black MFMDf top with edge band	A	+\$0
WSE	white MFMDf top with edge band	A	+\$0
OKE	oak veneer top with edge band	A	+\$1409
J23	4023 Nero forbo lino top with edge band	A	+\$1687
J32	4132 Ash forbo lino top with edge band	A	+\$1687
J55	4155 Pewter forbo lino top with edge band	A	+\$1687
J57	4157 Pearl forbo lino top with edge band	A	+\$1687
J64	4164 Salsa forbo lino top with edge band	A	+\$1687
J66	4166 Charcoal forbo lino top with edge band	A	+\$1687
J72	4172 Mauve forbo lino top with edge band	A	+\$1687
J74	4174 Conifer forbo lino top with edge band	A	+\$1687
J75	4175 Pebble forbo lino top with edge band	A	+\$1687
J76	4176 Mushroom forbo lino top with edge band	A	+\$1687
J77	4177 Vapour forbo lino top with edge band	A	+\$1687
J78	4178 Iron forbo lino top with edge band	A	+\$1687
J79	4179 Smokey Blue forbo lino top with edge band	A	+\$1687
J80	4180 Aquavert forbo lino top with edge band	A	+\$1687
J81	4181 Midnight Blue forbo lino top with edge band	A	+\$1687
J82	4182 Spring Green forbo lino top with edge band	A	+\$1687
J83	4183 Pistachio forbo lino top with edge band	A	+\$1687
J84	4184 Olive forbo lino top with edge band	A	+\$1687
J85	4185 Powder forbo lino top with edge band	A	+\$1687
J86	4186 Orange Blast forbo lino top with edge band	A	+\$1687

Morse Bar Height 55" Deep Work  
Table Section Middle D *continued*

NaughtOne® Meeting Tables

*For bar height table section middle D - 2000w x 1400d (20)*

<b>BSE</b>	black MFMDF top with edge band <input type="checkbox"/> A	+\$0
<b>WSE</b>	white MFMDF top with edge band <input type="checkbox"/> A	+\$0
<b>OKE</b>	oak veneer top with edge band <input type="checkbox"/> A	+\$1919
<b>J23</b>	4023 Nero forbo lino top with edge band <input type="checkbox"/> A	+\$2383
<b>J32</b>	4132 Ash forbo lino top with edge band <input type="checkbox"/> A	+\$2383
<b>J55</b>	4155 Pewter forbo lino top with edge band <input type="checkbox"/> A	+\$2383
<b>J57</b>	4157 Pearl forbo lino top with edge band <input type="checkbox"/> A	+\$2383
<b>J64</b>	4164 Salsa forbo lino top with edge band <input type="checkbox"/> A	+\$2383
<b>J66</b>	4166 Charcoal forbo lino top with edge band <input type="checkbox"/> A	+\$2383
<b>J72</b>	4172 Mauve forbo lino top with edge band <input type="checkbox"/> A	+\$2383
<b>J74</b>	4174 Conifer forbo lino top with edge band <input type="checkbox"/> A	+\$2383
<b>J75</b>	4175 Pebble forbo lino top with edge band <input type="checkbox"/> A	+\$2383
<b>J76</b>	4176 Mushroom forbo lino top with edge band <input type="checkbox"/> A	+\$2383
<b>J77</b>	4177 Vapour forbo lino top with edge band <input type="checkbox"/> A	+\$2383
<b>J78</b>	4178 Iron forbo lino top with edge band <input type="checkbox"/> A	+\$2383
<b>J79</b>	4179 Smokey Blue forbo lino top with edge band <input type="checkbox"/> A	+\$2383
<b>J80</b>	4180 Aquavert forbo lino top with edge band <input type="checkbox"/> A	+\$2383
<b>J81</b>	4181 Midnight Blue forbo lino top with edge band <input type="checkbox"/> A	+\$2383
<b>J82</b>	4182 Spring Green forbo lino top with edge band <input type="checkbox"/> A	+\$2383
<b>J83</b>	4183 Pistachio forbo lino top with edge band <input type="checkbox"/> A	+\$2383
<b>J84</b>	4184 Olive forbo lino top with edge band <input type="checkbox"/> A	+\$2383
<b>J85</b>	4185 Powder forbo lino top with edge band <input type="checkbox"/> A	+\$2383
<b>J86</b>	4186 Orange Blast forbo lino top with edge band <input type="checkbox"/> A	+\$2383

Step 8. Dot Power Port Finish

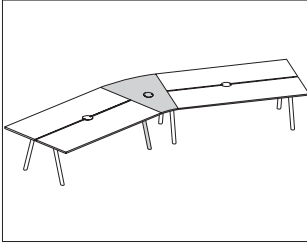
*For no dot power port, no cable management (A) or no dot power port, comes with cable tray and cable managed leg (X)*

<b>N</b>	no selection necessary <input type="checkbox"/> A	+\$0
----------	---	------

*For one dot power port, cable tray, no cable managed leg (B) or one dot power port, comes with cable tray and cable managed leg (Y)*

<b>R00</b>	black RAL 9005 <input type="checkbox"/> A	+\$0
<b>R14</b>	signal white RAL9003 <input type="checkbox"/> A	+\$0
<b>R02</b>	stone grey RAL 7030 <input type="checkbox"/> A	+\$0
<b>R03</b>	silver - RAL 9006 <input type="checkbox"/> A	+\$0
<b>R08</b>	traffic orange RAL 2009 <input type="checkbox"/> A	+\$0
<b>R13</b>	pastel blue RAL 5024 <input type="checkbox"/> A	+\$0
<b>R23</b>	black grey RAL 7021 <input type="checkbox"/> A	+\$0
<b>R24</b>	leaf green RAL 6002 <input type="checkbox"/> A	+\$0
<b>R25</b>	pale green RAL 6021 <input type="checkbox"/> A	+\$0
<b>R26</b>	RAL 3020 red <input type="checkbox"/> A	+\$0
<b>R28</b>	light pink RAL 3015 <input type="checkbox"/> A	+\$0
<b>R29</b>	dark blue RAL 5001 <input type="checkbox"/> A	+\$0
<b>R30</b>	oyster RAL 1013 <input type="checkbox"/> A	+\$0
<b>R38</b>	broom yellow RAL 1032 <input type="checkbox"/> A	+\$0
<b>R39</b>	moss green RAL 6005 <input type="checkbox"/> A	+\$0
<b>R40</b>	steel blue RAL 5011 <input type="checkbox"/> A	+\$0

Morse 55" Deep WorkTable Section NOMSD  
Curve D



**Product Information**

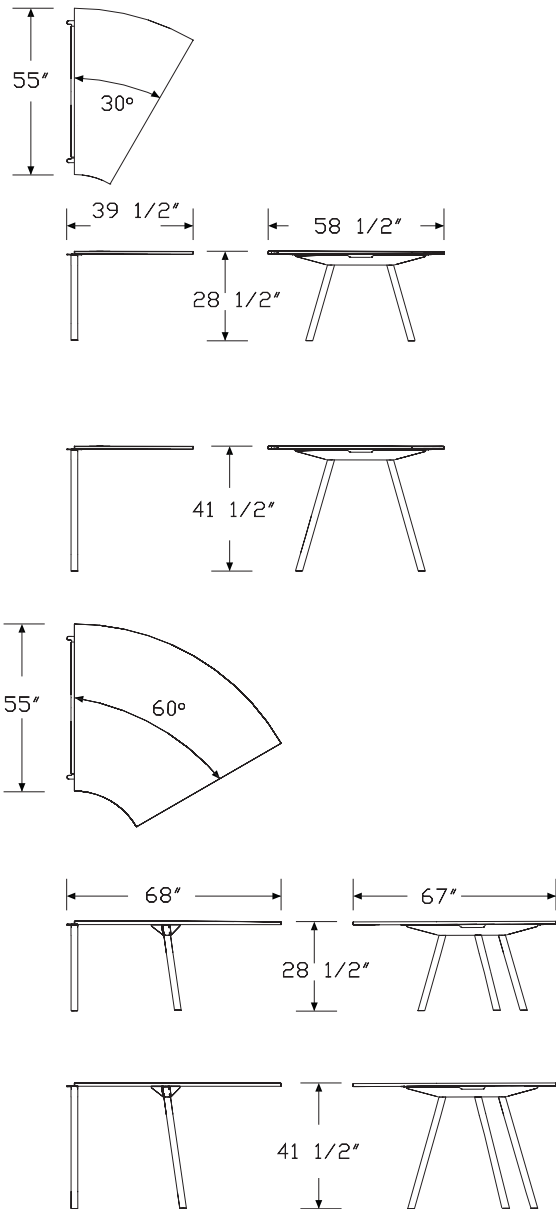
**Description**

The 30° and 60° curve extensions seamlessly integrate into a Morse Table System, allowing gentle bends in configurations. They have a laser-cut and folded mild steel underframe finished with polyester powder coat. Legs come in either powder-coated mild steel or solid wood with a clear lacquer finish. Tops are available in a variety of materials and finishes. Fixed-height legs provide 3/4" of leveling adjustment. Product is delivered unassembled.

**Notes**

- When specified with a cable managed leg (X, Y), standard leg is replaced with a version that has an aperture to guide cable from tabletop to floor.
- Cable managed leg can be used in any leg position.
- Depth of corner section must match depth of other table section elements in build-your-own configuration.
- Height of corner section must match height of other table section elements in build-your-own configuration.
- Curve extension cannot be used next to leaf ends (NOMSLFDx).
- Curve extensions cannot be used next to another curve extension (NOMSDUx).
- Curve extensions must be connected by 2 straight sections (NOMSDSx or NOMSDMx) of the same width and height.
- Morse power units (NOMSPWRx) which are suited to the dot power ports are ordered separately.
- Dimensional illustration does not contain all configurations.

**Dimensions**



Morse 55" Deep WorkTable Section  
Curve D *continued*

Specification Information		
Step 1.		
<b>NOMSDU</b>	<input type="checkbox"/>	
Step 2. Type		
<b>30</b>	table section 30 degree curve - 55"d <input type="checkbox"/>	+\$2162
<b>60</b>	table section 60 degree curve - 55"d <input type="checkbox"/>	+\$3047
Step 3. Height		
<i>For table section 30 degree curve - 55"d (30)</i>		
<b>3</b>	standard height <input type="checkbox"/>	+\$0
<b>5</b>	bar height <input type="checkbox"/>	+\$99
<i>For table section 60 degree curve - 55"d (60)</i>		
<b>3</b>	standard height <input type="checkbox"/>	+\$0
<b>5</b>	bar height <input type="checkbox"/>	+\$147
Step 4. Cable Management		
<b>A</b>	no dot power port, no cable management <input type="checkbox"/>	+\$0
<b>B</b>	dot power port, cable tray, no cable managed leg <input type="checkbox"/>	+\$640
<b>X</b>	no dot power port, comes with cable managed leg <input type="checkbox"/>	+\$640
<b>Y</b>	dot power port, comes with cable tray and cable managed leg <input type="checkbox"/>	+\$934
Step 5. Leg Material		
<b>W</b>	wood <input type="checkbox"/>	+\$0
<b>S</b>	steel <input type="checkbox"/>	+\$0
Step 6. Leg Finish		
<i>For table section 30 degree curve - 55"d (30) with wood (W)</i>		
<b>OAK</b>	oak <input type="checkbox"/>	+\$151

<i>For table section 30 degree curve - 55"d (30) with steel (S)</i>		
<b>R23</b>	black grey RAL 7021 <input type="checkbox"/>	+\$151
<b>R00</b>	black RAL 9005 <input type="checkbox"/>	+\$0
<b>R38</b>	broom yellow RAL 1032 <input type="checkbox"/>	+\$151
<b>R29</b>	dark blue RAL 5001 <input type="checkbox"/>	+\$151
<b>R24</b>	leaf green RAL 6002 <input type="checkbox"/>	+\$151
<b>R28</b>	light pink RAL 3015 <input type="checkbox"/>	+\$151
<b>R39</b>	moss green RAL 6005 <input type="checkbox"/>	+\$151
<b>R30</b>	oyster RAL 1013 <input type="checkbox"/>	+\$151
<b>R25</b>	pale green RAL 6021 <input type="checkbox"/>	+\$151
<b>R13</b>	pastel blue RAL 5024 <input type="checkbox"/>	+\$151
<b>R14</b>	signal white RAL9003 <input type="checkbox"/>	+\$0
<b>R03</b>	silver - RAL 9006 <input type="checkbox"/>	+\$151
<b>R40</b>	steel blue RAL 5011 <input type="checkbox"/>	+\$151
<b>R02</b>	stone grey RAL 7030 <input type="checkbox"/>	+\$151
<b>R08</b>	traffic orange RAL 2009 <input type="checkbox"/>	+\$151
<b>R26</b>	traffic red RAL 3020 <input type="checkbox"/>	+\$151

<i>For table section 60 degree curve - 55"d (60) with wood (W)</i>		
<b>OAK</b>	oak <input type="checkbox"/>	+\$227

<i>For table section 60 degree curve - 55"d (60) with steel (S)</i>		
<b>R00</b>	black RAL 9005 <input type="checkbox"/>	+\$0
<b>R02</b>	stone grey RAL 7030 <input type="checkbox"/>	+\$227
<b>R03</b>	silver - RAL 9006 <input type="checkbox"/>	+\$227
<b>R08</b>	traffic orange RAL 2009 <input type="checkbox"/>	+\$227
<b>R13</b>	pastel blue RAL 5024 <input type="checkbox"/>	+\$227
<b>R14</b>	signal white RAL9003 <input type="checkbox"/>	+\$0
<b>R23</b>	black grey RAL 7021 <input type="checkbox"/>	+\$227
<b>R24</b>	leaf green RAL 6002 <input type="checkbox"/>	+\$227
<b>R25</b>	pale green RAL 6021 <input type="checkbox"/>	+\$227
<b>R26</b>	traffic red RAL 3020 <input type="checkbox"/>	+\$227
<b>R28</b>	light pink RAL 3015 <input type="checkbox"/>	+\$227
<b>R29</b>	dark blue RAL 5001 <input type="checkbox"/>	+\$227
<b>R30</b>	oyster RAL 1013 <input type="checkbox"/>	+\$227
<b>R38</b>	broom yellow RAL 1032 <input type="checkbox"/>	+\$227
<b>R39</b>	moss green RAL 6005 <input type="checkbox"/>	+\$227
<b>R40</b>	steel blue RAL 5011 <input type="checkbox"/>	+\$227



Morse 55" Deep WorkTable Section  
Curve D *continued*

Step 7. Under-Frame Finish

*For table section 30 degree curve - 55"d (30)*

R00	black RAL 9005	A	+\$0
R14	signal white RAL9003	A	+\$0
R02	stone grey RAL 7030	A	+\$76
R03	silver - RAL 9006	A	+\$76
R08	traffic orange RAL 2009	A	+\$76
R13	pastel blue RAL 5024	A	+\$76
R23	black grey RAL 7021	A	+\$76
R24	leaf green RAL 6002	A	+\$76
R25	pale green RAL 6021	A	+\$76
R26	RAL 3020 red	A	+\$76
R28	light pink RAL 3015	A	+\$76
R29	dark blue RAL 5001	A	+\$76
R30	oyster RAL 1013	A	+\$76
R38	broom yellow RAL 1032	A	+\$76
R39	moss green RAL 6005	A	+\$76
R40	steel blue RAL 5011	A	+\$76

*For table section 60 degree curve - 55"d (60)*

R00	black RAL 9005	A	+\$0
R14	signal white RAL9003	A	+\$0
R02	stone grey RAL 7030	A	+\$151
R03	silver - RAL 9006	A	+\$151
R08	traffic orange RAL 2009	A	+\$151
R13	pastel blue RAL 5024	A	+\$151
R23	black grey RAL 7021	A	+\$151
R24	leaf green RAL 6002	A	+\$151
R25	pale green RAL 6021	A	+\$151
R26	RAL 3020 red	A	+\$151
R28	light pink RAL 3015	A	+\$151
R29	dark blue RAL 5001	A	+\$151
R30	oyster RAL 1013	A	+\$151
R38	broom yellow RAL 1032	A	+\$151
R39	moss green RAL 6005	A	+\$151
R40	steel blue RAL 5011	A	+\$151

Step 8. Surface Finish

*For table section 30 degree curve - 55"d (30)*

BSE	black MFMDf top with edge band	A	+\$0
WSE	white MFMDf top with edge band	A	+\$0
J23	4023 Nero forbo lino top with edge band	A	+\$1089
J32	4132 Ash forbo lino top with edge band	A	+\$1089
J55	4155 Pewter forbo lino top with edge band	A	+\$1089
J57	4157 Pearl forbo lino top with edge band	A	+\$1089
J64	4164 Salsa forbo lino top with edge band	A	+\$1089
J66	4166 Charcoal forbo lino top with edge band	A	+\$1089
J72	4172 Mauve forbo lino top with edge band	A	+\$1089
J74	4174 Conifer forbo lino top with edge band	A	+\$1089
J75	4175 Pebble forbo lino top with edge band	A	+\$1089
J76	4176 Mushroom forbo lino top with edge band	A	+\$1089
J77	4177 Vapour forbo lino top with edge band	A	+\$1089
J78	4178 Iron forbo lino top with edge band	A	+\$1089
J79	4179 Smokey Blue forbo lino top with edge band	A	+\$1089
J80	4180 Aquavert forbo lino top with edge band	A	+\$1089
J81	4181 Midnight Blue forbo lino top with edge band	A	+\$1089
J82	4182 Spring Green forbo lino top with edge band	A	+\$1089
J83	4183 Pistachio forbo lino top with edge band	A	+\$1089
J84	4184 Olive forbo lino top with edge band	A	+\$1089
J85	4185 Powder forbo lino top with edge band	A	+\$1089
J86	4186 Orange Blast forbo lino top with edge band	A	+\$1089

Morse 55" Deep WorkTable Section  
Curve D *continued*

NaughtOne® Meeting Tables

*For table section 60 degree curve - 55"d (60)*

<b>BSE</b>	black MFMDF top with edge band <input type="checkbox"/> A	+\$0
<b>WSE</b>	white MFMDF top with edge band <input type="checkbox"/> A	+\$0
<b>J23</b>	4023 Nero forbo lino top with edge band <input type="checkbox"/> A	+\$2178
<b>J32</b>	4132 Ash forbo lino top with edge band <input type="checkbox"/> A	+\$2178
<b>J55</b>	4155 Pewter forbo lino top with edge band <input type="checkbox"/> A	+\$2178
<b>J57</b>	4157 Pearl forbo lino top with edge band <input type="checkbox"/> A	+\$2178
<b>J64</b>	4164 Salsa forbo lino top with edge band <input type="checkbox"/> A	+\$2178
<b>J66</b>	4166 Charcoal forbo lino top with edge band <input type="checkbox"/> A	+\$2178
<b>J72</b>	4172 Mauve forbo lino top with edge band <input type="checkbox"/> A	+\$2178
<b>J74</b>	4174 Conifer forbo lino top with edge band <input type="checkbox"/> A	+\$2178
<b>J75</b>	4175 Pebble forbo lino top with edge band <input type="checkbox"/> A	+\$2178
<b>J76</b>	4176 Mushroom forbo lino top with edge band <input type="checkbox"/> A	+\$2178
<b>J77</b>	4177 Vapour forbo lino top with edge band <input type="checkbox"/> A	+\$2178
<b>J78</b>	4178 Iron forbo lino top with edge band <input type="checkbox"/> A	+\$2178
<b>J79</b>	4179 Smokey Blue forbo lino top with edge band <input type="checkbox"/> A	+\$2178
<b>J80</b>	4180 Aquavert forbo lino top with edge band <input type="checkbox"/> A	+\$2178
<b>J81</b>	4181 Midnight Blue forbo lino top with edge band <input type="checkbox"/> A	+\$2178
<b>J82</b>	4182 Spring Green forbo lino top with edge band <input type="checkbox"/> A	+\$2178
<b>J83</b>	4183 Pistachio forbo lino top with edge band <input type="checkbox"/> A	+\$2178
<b>J84</b>	4184 Olive forbo lino top with edge band <input type="checkbox"/> A	+\$2178
<b>J85</b>	4185 Powder forbo lino top with edge band <input type="checkbox"/> A	+\$2178
<b>J86</b>	4186 Orange Blast forbo lino top with edge band <input type="checkbox"/> A	+\$2178

Step 9. Dot Power Port Finish

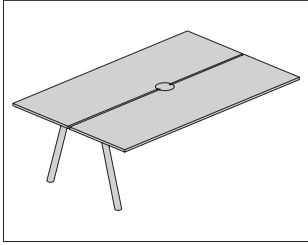
*For no dot power port, no cable management (A) or no dot power port, comes with cable managed leg (X)*

<b>N</b>	no selection necessary <input type="checkbox"/> A	+\$0
----------	---	------

*For dot power port, cable tray, no cable managed leg (B) or dot power port, comes with cable tray and cable managed leg (Y)*

<b>R00</b>	black RAL 9005 <input type="checkbox"/> A	+\$0
<b>R02</b>	stone grey RAL 7030 <input type="checkbox"/> A	+\$0
<b>R03</b>	silver - RAL 9006 <input type="checkbox"/> A	+\$0
<b>R08</b>	traffic orange RAL 2009 <input type="checkbox"/> A	+\$0
<b>R13</b>	pastel blue RAL 5024 <input type="checkbox"/> A	+\$0
<b>R14</b>	signal white RAL9003 <input type="checkbox"/> A	+\$0
<b>R23</b>	black grey RAL 7021 <input type="checkbox"/> A	+\$0
<b>R24</b>	leaf green RAL 6002 <input type="checkbox"/> A	+\$0
<b>R25</b>	pale green RAL 6021 <input type="checkbox"/> A	+\$0
<b>R26</b>	RAL 3020 red <input type="checkbox"/> A	+\$0
<b>R28</b>	light pink RAL 3015 <input type="checkbox"/> A	+\$0
<b>R29</b>	dark blue RAL 5001 <input type="checkbox"/> A	+\$0
<b>R30</b>	oyster RAL 1013 <input type="checkbox"/> A	+\$0
<b>R38</b>	broom yellow RAL 1032 <input type="checkbox"/> A	+\$0
<b>R39</b>	moss green RAL 6005 <input type="checkbox"/> A	+\$0
<b>R40</b>	steel blue RAL 5011 <input type="checkbox"/> A	+\$0

# Morse 55" Deep Work Table Section Starter D NOMSD



## Product Information

### Description

This table section starter provides a beginning or end to a Morse Table System build-your-own configuration. It has a laser cut and folded mild steel underframe, finished with polyester powder coat. Legs come in either powder coated mild steel, or solid wood finished in a clear lacquer. Tops are available in a variety of materials and finishes. Fixed height legs provide 3/4" of leveling adjustment. Product is delivered unassembled.

### Notes

When specified with a cable managed leg, a standard leg is replaced with a version that has an aperture to guide a cable from table top to floor. Cable managed leg can be used in any leg position.

Depth of table section starter must match depth of other table section elements in build-your-own configuration.

Height of table section starter must match height of other table section elements in build-your-own configuration.

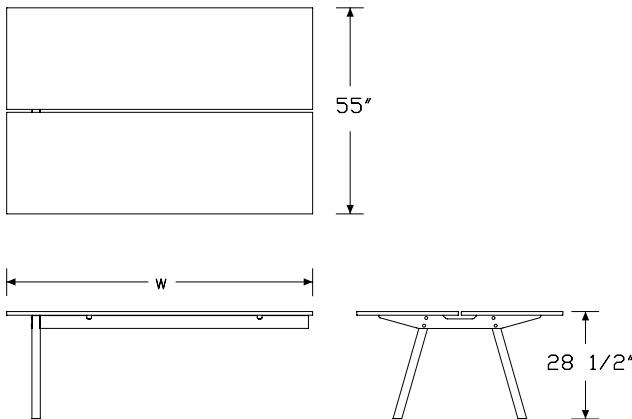
Morse build-your-own table must contain at least 2 section starters or leaf ends (NOMSLFD) and 1 leg set (NOMSLG). Section middles (NOMSxMx) can be used to extend the length of the build-your-own table. Leaf ends are only available for 55" deep build-your-own tables.

Morse power units (NOMSPWR) which are suited to the dot power ports are ordered separately.

Dimensional illustration does not contain all configurations.

For further information, reference Morse Planning Guide.

## Dimensions



## Specification Information

### Step 1.

**NOMSDS3**

### Step 2. Type

<b>14</b>	table section starter D - 1400w x 1400d	<input type="checkbox"/>	+\$3342
<b>22</b>	table section starter D - 2200w x 1400d	<input type="checkbox"/>	+\$4521

### Step 3. Cable Management

#### For table section starter D - 1400w x 1400d (14)

<b>A</b>	no dot power port, no cable management	<input type="checkbox"/>	+\$0
<b>B</b>	one dot power port, cable tray, no cable managed leg	<input type="checkbox"/>	+\$640
<b>X</b>	no dot power port, comes with cable tray and cable managed leg	<input type="checkbox"/>	+\$640
<b>Y</b>	one dot power port, comes with cable tray and cable managed leg	<input type="checkbox"/>	+\$934

#### For table section starter D - 2200w x 1400d (22)

<b>A</b>	no dot power port, no cable management	<input type="checkbox"/>	+\$0
<b>B</b>	one dot power port, cable tray, no cable managed leg	<input type="checkbox"/>	+\$640
<b>X</b>	no dot power port, comes with cable tray and cable managed leg	<input type="checkbox"/>	+\$640
<b>Y</b>	one dot power port, comes with cable tray and cable managed leg	<input type="checkbox"/>	+\$934

### Step 4. Leg Material

<b>W</b>	wood	<input type="checkbox"/>	+\$0
<b>S</b>	steel	<input type="checkbox"/>	+\$0

### Step 5. Leg Finish

#### For wood (W)

<b>OAK</b>	oak	<input type="checkbox"/>	+\$151
------------	-----	--------------------------	--------

Morse 55" Deep Work Table Section  
 Starter D *continued*

*For steel (S)*

<b>R00</b>	black RAL 9005 <input type="checkbox"/>	+\$0
<b>R14</b>	signal white RAL9003 <input type="checkbox"/>	+\$0
<b>R02</b>	stone grey RAL 7030 <input type="checkbox"/>	+\$151
<b>R03</b>	silver - RAL 9006 <input type="checkbox"/>	+\$151
<b>R08</b>	traffic orange RAL 2009 <input type="checkbox"/>	+\$151
<b>R13</b>	pastel blue RAL 5024 <input type="checkbox"/>	+\$151
<b>R23</b>	black grey RAL 7021 <input type="checkbox"/>	+\$151
<b>R24</b>	leaf green RAL 6002 <input type="checkbox"/>	+\$151
<b>R25</b>	pale green RAL 6021 <input type="checkbox"/>	+\$151
<b>R26</b>	RAL 3020 red <input type="checkbox"/>	+\$151
<b>R28</b>	light pink RAL 3015 <input type="checkbox"/>	+\$151
<b>R29</b>	dark blue RAL 5001 <input type="checkbox"/>	+\$151
<b>R30</b>	oyster RAL 1013 <input type="checkbox"/>	+\$151
<b>R38</b>	broom yellow RAL 1032 <input type="checkbox"/>	+\$151
<b>R39</b>	moss green RAL 6005 <input type="checkbox"/>	+\$151
<b>R40</b>	steel blue RAL 5011 <input type="checkbox"/>	+\$151

Step 6. Under-Frame Finish

<b>R00</b>	black RAL 9005 <input type="checkbox"/>	+\$0
<b>R14</b>	signal white RAL9003 <input type="checkbox"/>	+\$0
<b>R02</b>	stone grey RAL 7030 <input type="checkbox"/>	+\$378
<b>R03</b>	silver - RAL 9006 <input type="checkbox"/>	+\$378
<b>R08</b>	traffic orange RAL 2009 <input type="checkbox"/>	+\$378
<b>R13</b>	pastel blue RAL 5024 <input type="checkbox"/>	+\$378
<b>R23</b>	black grey RAL 7021 <input type="checkbox"/>	+\$378
<b>R24</b>	leaf green RAL 6002 <input type="checkbox"/>	+\$378
<b>R25</b>	pale green RAL 6021 <input type="checkbox"/>	+\$378
<b>R26</b>	RAL 3020 red <input type="checkbox"/>	+\$378
<b>R28</b>	light pink RAL 3015 <input type="checkbox"/>	+\$378
<b>R29</b>	dark blue RAL 5001 <input type="checkbox"/>	+\$378
<b>R30</b>	oyster RAL 1013 <input type="checkbox"/>	+\$378
<b>R38</b>	broom yellow RAL 1032 <input type="checkbox"/>	+\$378
<b>R39</b>	moss green RAL 6005 <input type="checkbox"/>	+\$378
<b>R40</b>	steel blue RAL 5011 <input type="checkbox"/>	+\$378

Step 7. Surface Finish

*For table section starter D - 1400w x 1400d (14)*

<b>BSE</b>	black MFMDf top with edge band <input type="checkbox"/>	+\$0
<b>WSE</b>	white MFMDf top with edge band <input type="checkbox"/>	+\$0
<b>OKE</b>	oak veneer top with edge band <input type="checkbox"/>	+\$1871
<b>J23</b>	4023 Nero forbo lino top with edge band <input type="checkbox"/>	+\$2178
<b>J32</b>	4132 Ash forbo lino top with edge band <input type="checkbox"/>	+\$2178
<b>J55</b>	4155 Pewter forbo lino top with edge band <input type="checkbox"/>	+\$2178
<b>J57</b>	4157 Pearl forbo lino top with edge band <input type="checkbox"/>	+\$2178
<b>J64</b>	4164 Salsa forbo lino top with edge band <input type="checkbox"/>	+\$2178
<b>J66</b>	4166 Charcoal forbo lino top with edge band <input type="checkbox"/>	+\$2178
<b>J72</b>	4172 Mauve forbo lino top with edge band <input type="checkbox"/>	+\$2178
<b>J74</b>	4174 Conifer forbo lino top with edge band <input type="checkbox"/>	+\$2178
<b>J75</b>	4175 Pebble forbo lino top with edge band <input type="checkbox"/>	+\$2178
<b>J76</b>	4176 Mushroom forbo lino top with edge band <input type="checkbox"/>	+\$2178
<b>J77</b>	4177 Vapour forbo lino top with edge band <input type="checkbox"/>	+\$2178
<b>J78</b>	4178 Iron forbo lino top with edge band <input type="checkbox"/>	+\$2178
<b>J79</b>	4179 Smokey Blue forbo lino top with edge band <input type="checkbox"/>	+\$2178
<b>J80</b>	4180 Aquavert forbo lino top with edge band <input type="checkbox"/>	+\$2178
<b>J81</b>	4181 Midnight Blue forbo lino top with edge band <input type="checkbox"/>	+\$2178
<b>J82</b>	4182 Spring Green forbo lino top with edge band <input type="checkbox"/>	+\$2178
<b>J83</b>	4183 Pistachio forbo lino top with edge band <input type="checkbox"/>	+\$2178
<b>J84</b>	4184 Olive forbo lino top with edge band <input type="checkbox"/>	+\$2178
<b>J85</b>	4185 Powder forbo lino top with edge band <input type="checkbox"/>	+\$2178
<b>J86</b>	4186 Orange Blast forbo lino top with edge band <input type="checkbox"/>	+\$2178

Morse 55" Deep Work Table Section  
 Starter D *continued*

*For table section starter D - 2200w x 1400d (22)*

<b>BSE</b>	black MFMDF top with edge band <input type="checkbox"/> A	+\$0
<b>WSE</b>	white MFMDF top with edge band <input type="checkbox"/> A	+\$0
<b>OKE</b>	oak veneer top with edge band <input type="checkbox"/> A	+\$2230
<b>J23</b>	4023 Nero forbo lino top with edge band <input type="checkbox"/> A	+\$2740
<b>J32</b>	4132 Ash forbo lino top with edge band <input type="checkbox"/> A	+\$2740
<b>J55</b>	4155 Pewter forbo lino top with edge band <input type="checkbox"/> A	+\$2740
<b>J57</b>	4157 Pearl forbo lino top with edge band <input type="checkbox"/> A	+\$2740
<b>J64</b>	4164 Salsa forbo lino top with edge band <input type="checkbox"/> A	+\$2740
<b>J66</b>	4166 Charcoal forbo lino top with edge band <input type="checkbox"/> A	+\$2740
<b>J72</b>	4172 Mauve forbo lino top with edge band <input type="checkbox"/> A	+\$2740
<b>J74</b>	4174 Conifer forbo lino top with edge band <input type="checkbox"/> A	+\$2740
<b>J75</b>	4175 Pebble forbo lino top with edge band <input type="checkbox"/> A	+\$2740
<b>J76</b>	4176 Mushroom forbo lino top with edge band <input type="checkbox"/> A	+\$2740
<b>J77</b>	4177 Vapour forbo lino top with edge band <input type="checkbox"/> A	+\$2740
<b>J78</b>	4178 Iron forbo lino top with edge band <input type="checkbox"/> A	+\$2740
<b>J79</b>	4179 Smokey Blue forbo lino top with edge band <input type="checkbox"/> A	+\$2740
<b>J80</b>	4180 Aquavert forbo lino top with edge band <input type="checkbox"/> A	+\$2740
<b>J81</b>	4181 Midnight Blue forbo lino top with edge band <input type="checkbox"/> A	+\$2740
<b>J82</b>	4182 Spring Green forbo lino top with edge band <input type="checkbox"/> A	+\$2740
<b>J83</b>	4183 Pistachio forbo lino top with edge band <input type="checkbox"/> A	+\$2740
<b>J84</b>	4184 Olive forbo lino top with edge band <input type="checkbox"/> A	+\$2740
<b>J85</b>	4185 Powder forbo lino top with edge band <input type="checkbox"/> A	+\$2740
<b>J86</b>	4186 Orange Blast forbo lino top with edge band <input type="checkbox"/> A	+\$2740

Step 8. Dot Power Port Finish

*For no dot power port, no cable management (A) or no dot power port, comes with cable tray and cable managed leg (X)*

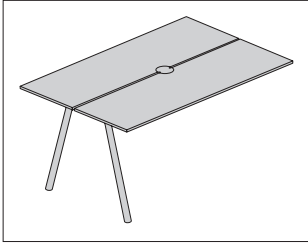
<b>N</b>	no selection necessary <input type="checkbox"/> A	+\$0
----------	---	------

*For one dot power port, cable tray, no cable managed leg (B) or one dot power port, comes with cable tray and cable managed leg (Y)*

<b>R00</b>	black RAL 9005 <input type="checkbox"/> A	+\$0
<b>R14</b>	signal white RAL9003 <input type="checkbox"/> A	+\$0
<b>R02</b>	stone grey RAL 7030 <input type="checkbox"/> A	+\$0
<b>R03</b>	silver - RAL 9006 <input type="checkbox"/> A	+\$0
<b>R08</b>	traffic orange RAL 2009 <input type="checkbox"/> A	+\$0
<b>R13</b>	pastel blue RAL 5024 <input type="checkbox"/> A	+\$0
<b>R23</b>	black grey RAL 7021 <input type="checkbox"/> A	+\$0
<b>R24</b>	leaf green RAL 6002 <input type="checkbox"/> A	+\$0
<b>R25</b>	pale green RAL 6021 <input type="checkbox"/> A	+\$0
<b>R26</b>	RAL 3020 red <input type="checkbox"/> A	+\$0
<b>R28</b>	light pink RAL 3015 <input type="checkbox"/> A	+\$0
<b>R29</b>	dark blue RAL 5001 <input type="checkbox"/> A	+\$0
<b>R30</b>	oyster RAL 1013 <input type="checkbox"/> A	+\$0
<b>R38</b>	broom yellow RAL 1032 <input type="checkbox"/> A	+\$0
<b>R39</b>	moss green RAL 6005 <input type="checkbox"/> A	+\$0
<b>R40</b>	steel blue RAL 5011 <input type="checkbox"/> A	+\$0

Morse Bar Height 55" Deep Work  
Table Section Starter D

NOMSD



NaughtOne® Meeting Tables

**Product Information**

**Description**

This table section starter provides a beginning or end to a Morse Table System build-your-own configuration. It has a laser cut and folded mild steel underframe, finished with polyester powder coat. Legs come in either powder coated mild steel, or solid wood finished in a clear lacquer. Tops are available in a variety of materials and finishes. Fixed height legs provide 3/4" of leveling adjustment. Product is delivered unassembled.

**Notes**

When specified with a cable managed leg, a standard leg is replaced with a version that has an aperture to guide a cable from table top to floor. Cable managed leg can be used in any leg position.

Depth of table section starter must match depth of other table section elements in build-your-own configuration.

Height of table section starter must match height of other table section elements in build-your-own configuration.

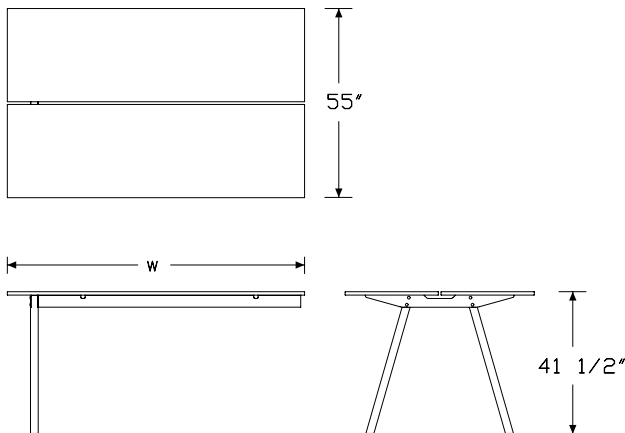
Morse build-your-own table must contain at least 2 section starters or leaf ends (NOMSLFD) and 1 leg set (NOMSLG). Section middles (NOMSxMx) can be used to extend the length of the build-your-own table. Leaf ends are only available for 55" deep build-your-own tables.

Morse power units (NOMSPWR) which are suited to the dot power ports are ordered separately.

Dimensional illustration does not contain all configurations.

For further information, reference Morse Planning Guide.

**Dimensions**



**Specification Information**

**Step 1.**

**NOMSDS5** [A]

**Step 2. Type**

<b>14</b>	bar height table section starter D - 1400w x 1400d [A]	+\$3440
<b>22</b>	bar height table section starter D - 2200w x 1400d [A]	+\$4620

**Step 3. Cable Management**

*For bar height table section starter D - 1400w x 1400d (14)*

<b>A</b>	no dot power port, no cable management [A]	+\$0
<b>B</b>	one dot power port, cable tray, no cable managed leg [A]	+\$640
<b>X</b>	no dot power port, comes with cable tray and cable managed leg [A]	+\$640
<b>Y</b>	one dot power port, comes with cable tray and cable managed leg [A]	+\$934

*For bar height table section starter D - 2200w x 1400d (22)*

<b>A</b>	no dot power port, no cable management [A]	+\$0
<b>B</b>	one dot power port, cable tray, no cable managed leg [A]	+\$640
<b>X</b>	no dot power port, comes with cable tray and cable managed leg [A]	+\$640
<b>Y</b>	one dot power port, comes with cable tray and cable managed leg [A]	+\$934

**Step 4. Leg Material**

<b>W</b>	wood [A]	+\$0
<b>S</b>	steel [A]	+\$0

**Step 5. Leg Finish**

*For wood (W)*

<b>OAK</b>	oak [A]	+\$151
------------	---------	--------

Morse Bar Height 55" Deep Work  
Table Section Starter D *continued*

For steel (S)

R00	black RAL 9005	A	+\$0
R14	signal white RAL9003	A	+\$0
R02	stone grey RAL 7030	A	+\$151
R03	silver - RAL 9006	A	+\$151
R08	traffic orange RAL 2009	A	+\$151
R13	pastel blue RAL 5024	A	+\$151
R23	black grey RAL 7021	A	+\$151
R24	leaf green RAL 6002	A	+\$151
R25	pale green RAL 6021	A	+\$151
R26	RAL 3020 red	A	+\$151
R28	light pink RAL 3015	A	+\$151
R29	dark blue RAL 5001	A	+\$151
R30	oyster RAL 1013	A	+\$151
R38	broom yellow RAL 1032	A	+\$151
R39	moss green RAL 6005	A	+\$151
R40	steel blue RAL 5011	A	+\$151

Step 6. Under-Frame Finish

R00	black RAL 9005	A	+\$0
R14	signal white RAL9003	A	+\$0
R02	stone grey RAL 7030	A	+\$378
R03	silver - RAL 9006	A	+\$378
R08	traffic orange RAL 2009	A	+\$378
R13	pastel blue RAL 5024	A	+\$378
R23	black grey RAL 7021	A	+\$378
R24	leaf green RAL 6002	A	+\$378
R25	pale green RAL 6021	A	+\$378
R26	RAL 3020 red	A	+\$378
R28	light pink RAL 3015	A	+\$378
R29	dark blue RAL 5001	A	+\$378
R30	oyster RAL 1013	A	+\$378
R38	broom yellow RAL 1032	A	+\$378
R39	moss green RAL 6005	A	+\$378
R40	steel blue RAL 5011	A	+\$378

Step 7. Surface Finish

For bar height table section starter D - 1400w x 1400d (14)

BSE	black MFMDf top with edge band	A	+\$0
WSE	white MFMDf top with edge band	A	+\$0
OKE	oak veneer top with edge band	A	+\$1871
J23	4023 Nero forbo lino top with edge band	A	+\$2178
J32	4132 Ash forbo lino top with edge band	A	+\$2178
J55	4155 Pewter forbo lino top with edge band	A	+\$2178
J57	4157 Pearl forbo lino top with edge band	A	+\$2178
J64	4164 Salsa forbo lino top with edge band	A	+\$2178
J66	4166 Charcoal forbo lino top with edge band	A	+\$2178
J72	4172 Mauve forbo lino top with edge band	A	+\$2178
J74	4174 Conifer forbo lino top with edge band	A	+\$2178
J75	4175 Pebble forbo lino top with edge band	A	+\$2178
J76	4176 Mushroom forbo lino top with edge band	A	+\$2178
J77	4177 Vapour forbo lino top with edge band	A	+\$2178
J78	4178 Iron forbo lino top with edge band	A	+\$2178
J79	4179 Smokey Blue forbo lino top with edge band	A	+\$2178
J80	4180 Aquavert forbo lino top with edge band	A	+\$2178
J81	4181 Midnight Blue forbo lino top with edge band	A	+\$2178
J82	4182 Spring Green forbo lino top with edge band	A	+\$2178
J83	4183 Pistachio forbo lino top with edge band	A	+\$2178
J84	4184 Olive forbo lino top with edge band	A	+\$2178
J85	4185 Powder forbo lino top with edge band	A	+\$2178
J86	4186 Orange Blast forbo lino top with edge band	A	+\$2178

Morse Bar Height 55" Deep Work  
Table Section Starter D *continued*

NaughtOne® Meeting Tables

*For bar height table section starter D - 2200w x 1400d (22)*

<b>BSE</b>	black MFMDF top with edge band <input type="checkbox"/> A	+\$0
<b>WSE</b>	white MFMDF top with edge band <input type="checkbox"/> A	+\$0
<b>OKE</b>	oak veneer top with edge band <input type="checkbox"/> A	+\$2230
<b>J23</b>	4023 Nero forbo lino top with edge band <input type="checkbox"/> A	+\$2740
<b>J32</b>	4132 Ash forbo lino top with edge band <input type="checkbox"/> A	+\$2740
<b>J55</b>	4155 Pewter forbo lino top with edge band <input type="checkbox"/> A	+\$2740
<b>J57</b>	4157 Pearl forbo lino top with edge band <input type="checkbox"/> A	+\$2740
<b>J64</b>	4164 Salsa forbo lino top with edge band <input type="checkbox"/> A	+\$2740
<b>J66</b>	4166 Charcoal forbo lino top with edge band <input type="checkbox"/> A	+\$2740
<b>J72</b>	4172 Mauve forbo lino top with edge band <input type="checkbox"/> A	+\$2740
<b>J74</b>	4174 Conifer forbo lino top with edge band <input type="checkbox"/> A	+\$2740
<b>J75</b>	4175 Pebble forbo lino top with edge band <input type="checkbox"/> A	+\$2740
<b>J76</b>	4176 Mushroom forbo lino top with edge band <input type="checkbox"/> A	+\$2740
<b>J77</b>	4177 Vapour forbo lino top with edge band <input type="checkbox"/> A	+\$2740
<b>J78</b>	4178 Iron forbo lino top with edge band <input type="checkbox"/> A	+\$2740
<b>J79</b>	4179 Smokey Blue forbo lino top with edge band <input type="checkbox"/> A	+\$2740
<b>J80</b>	4180 Aquavert forbo lino top with edge band <input type="checkbox"/> A	+\$2740
<b>J81</b>	4181 Midnight Blue forbo lino top with edge band <input type="checkbox"/> A	+\$2740
<b>J82</b>	4182 Spring Green forbo lino top with edge band <input type="checkbox"/> A	+\$2740
<b>J83</b>	4183 Pistachio forbo lino top with edge band <input type="checkbox"/> A	+\$2740
<b>J84</b>	4184 Olive forbo lino top with edge band <input type="checkbox"/> A	+\$2740
<b>J85</b>	4185 Powder forbo lino top with edge band <input type="checkbox"/> A	+\$2740
<b>J86</b>	4186 Orange Blast forbo lino top with edge band <input type="checkbox"/> A	+\$2740

Step 8. Dot Power Port Finish

*For no dot power port, no cable management (A) or no dot power port, comes with cable tray and cable managed leg (X)*

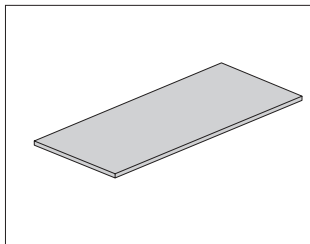
<b>N</b>	no selection necessary <input type="checkbox"/> A	+\$0
----------	---	------

*For one dot power port, cable tray, no cable managed leg (B) or one dot power port, comes with cable tray and cable managed leg (Y)*

<b>R00</b>	black RAL 9005 <input type="checkbox"/> A	+\$0
<b>R14</b>	signal white RAL9003 <input type="checkbox"/> A	+\$0
<b>R02</b>	stone grey RAL 7030 <input type="checkbox"/> A	+\$0
<b>R03</b>	silver - RAL 9006 <input type="checkbox"/> A	+\$0
<b>R08</b>	traffic orange RAL 2009 <input type="checkbox"/> A	+\$0
<b>R13</b>	pastel blue RAL 5024 <input type="checkbox"/> A	+\$0
<b>R23</b>	black grey RAL 7021 <input type="checkbox"/> A	+\$0
<b>R24</b>	leaf green RAL 6002 <input type="checkbox"/> A	+\$0
<b>R25</b>	pale green RAL 6021 <input type="checkbox"/> A	+\$0
<b>R26</b>	RAL 3020 red <input type="checkbox"/> A	+\$0
<b>R28</b>	light pink RAL 3015 <input type="checkbox"/> A	+\$0
<b>R29</b>	dark blue RAL 5001 <input type="checkbox"/> A	+\$0
<b>R30</b>	oyster RAL 1013 <input type="checkbox"/> A	+\$0
<b>R38</b>	broom yellow RAL 1032 <input type="checkbox"/> A	+\$0
<b>R39</b>	moss green RAL 6005 <input type="checkbox"/> A	+\$0
<b>R40</b>	steel blue RAL 5011 <input type="checkbox"/> A	+\$0



Morse 55" Deep Work Table Section      NOMSL  
 Leaf End D



**Product Information**

**Description**

This table section leaf end provides a beginning or end to a Morse Table System build-your-own configuration. It has a laser cut and folded mild steel underframe, finished with polyester powder coat. Tops are available in a variety of materials and finishes. Product is delivered unassembled.

**Notes**

Depth of table section leaf end must match depth of other table section elements in build-your-own configuration. Leaf ends are only available for 55" deep build-your-own tables.

Morse build-your-own table must contain at least 2 section starters (NOMSxSx) or leaf ends and 1 leg set (NOMSLG). Section middles (NOMSxMx) can be used to extend the length of the build-your-own table.

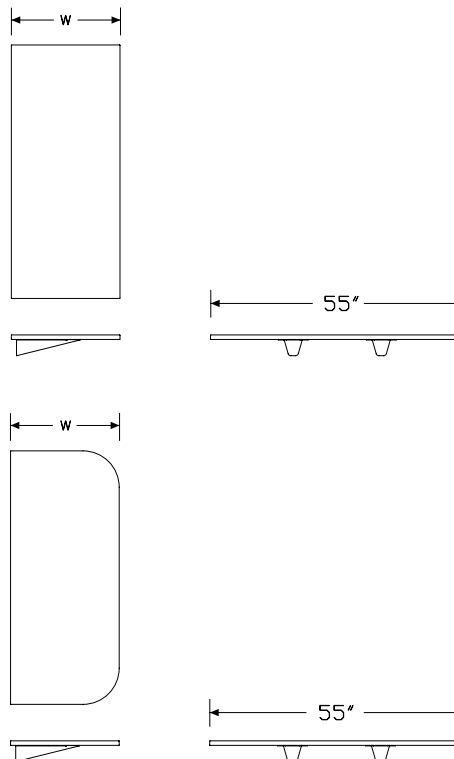
Leaf ends are only available for 55" deep build-your-own tables.

Morse power units (NOMSPWR) which are suited to the dot power ports are ordered separately.

Dimensional illustration does not contain all configurations.

For further information, reference Morse Planning Guide.

**Dimensions**



Morse 55" Deep Work Table Section  
Leaf End D *continued*

**Specification Information**

Step 1.

**NOMSLFD**  A

Step 2. Type

**R** rectangular leaf-end table section D - 600w x 1400d  A +\$1475  
**D** radius corner leaf-end table section D - 600w x 1400d  A +\$1475

Step 3. Under-Frame Finish

**R00** black RAL 9005  A +\$0  
**R14** signal white RAL9003  A +\$0  
**R02** stone grey RAL 7030  A +\$151  
**R03** silver - RAL 9006  A +\$151  
**R08** traffic orange RAL 2009  A +\$151  
**R13** pastel blue RAL 5024  A +\$151  
**R23** black grey RAL 7021  A +\$151  
**R24** leaf green RAL 6002  A +\$151  
**R25** pale green RAL 6021  A +\$151  
**R26** RAL 3020 red  A +\$151  
**R28** light pink RAL 3015  A +\$151  
**R29** dark blue RAL 5001  A +\$151  
**R30** oyster RAL 1013  A +\$151  
**R38** broom yellow RAL 1032  A +\$151  
**R39** moss green RAL 6005  A +\$151  
**R40** steel blue RAL 5011  A +\$151

Step 4. Surface Finish

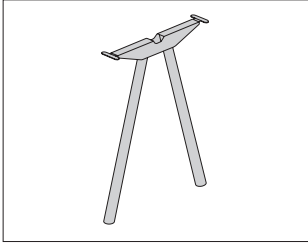
*For rectangular leaf-end table section D - 600w x 1400d (R)*

**BSE** black MF MDF top with edge band  A +\$0  
**WSE** white MF MDF top with edge band  A +\$0  
**OKE** oak veneer top with edge band  A +\$709  
**J23** 4023 Nero forbo lino top with edge band  A +\$1027  
**J32** 4132 Ash forbo lino top with edge band  A +\$1027  
**J55** 4155 Pewter forbo lino top with edge band  A +\$1027  
**J57** 4157 Pearl forbo lino top with edge band  A +\$1027  
**J64** 4164 Salsa forbo lino top with edge band  A +\$1027  
**J66** 4166 Charcoal forbo lino top with edge band  A +\$1027  
**J72** 4172 Mauve forbo lino top with edge band  A +\$1027  
**J74** 4174 Conifer forbo lino top with edge band  A +\$1027  
**J75** 4175 Pebble forbo lino top with edge band  A +\$1027  
**J76** 4176 Mushroom forbo lino top with edge band  A +\$1027  
**J77** 4177 Vapour forbo lino top with edge band  A +\$1027  
**J78** 4178 Iron forbo lino top with edge band  A +\$1027  
**J79** 4179 Smokey Blue forbo lino top with edge band  A +\$1027  
**J80** 4180 Aquavert forbo lino top with edge band  A +\$1027  
**J81** 4181 Midnight Blue forbo lino top with edge band  A +\$1027  
**J82** 4182 Spring Green forbo lino top with edge band  A +\$1027  
**J83** 4183 Pistachio forbo lino top with edge band  A +\$1027  
**J84** 4184 Olive forbo lino top with edge band  A +\$1027  
**J85** 4185 Powder forbo lino top with edge band  A +\$1027  
**J86** 4186 Orange Blast forbo lino top with edge band  A +\$1027

Morse 55" Deep Work Table Section  
 Leaf End D *continued*

*For radius corner leaf-end table section D - 600w x 1400d (D)*

<b>BSE</b>	black MFMDF top with edge band <input type="checkbox"/>	+\$0
<b>WSE</b>	white MFMDF top with edge band <input type="checkbox"/>	+\$0
<b>OKE</b>	oak veneer top with edge band <input type="checkbox"/>	+\$718
<b>J23</b>	4023 Nero forbo lino top with edge band <input type="checkbox"/>	+\$1027
<b>J32</b>	4132 Ash forbo lino top with edge band <input type="checkbox"/>	+\$1027
<b>J55</b>	4155 Pewter forbo lino top with edge band <input type="checkbox"/>	+\$1027
<b>J57</b>	4157 Pearl forbo lino top with edge band <input type="checkbox"/>	+\$1027
<b>J64</b>	4164 Salsa forbo lino top with edge band <input type="checkbox"/>	+\$1027
<b>J66</b>	4166 Charcoal forbo lino top with edge band <input type="checkbox"/>	+\$1027
<b>J72</b>	4172 Mauve forbo lino top with edge band <input type="checkbox"/>	+\$1027
<b>J74</b>	4174 Conifer forbo lino top with edge band <input type="checkbox"/>	+\$1027
<b>J75</b>	4175 Pebble forbo lino top with edge band <input type="checkbox"/>	+\$1027
<b>J76</b>	4176 Mushroom forbo lino top with edge band <input type="checkbox"/>	+\$1027
<b>J77</b>	4177 Vapour forbo lino top with edge band <input type="checkbox"/>	+\$1027
<b>J78</b>	4178 Iron forbo lino top with edge band <input type="checkbox"/>	+\$1027
<b>J79</b>	4179 Smokey Blue forbo lino top with edge band <input type="checkbox"/>	+\$1027
<b>J80</b>	4180 Aquavert forbo lino top with edge band <input type="checkbox"/>	+\$1027
<b>J81</b>	4181 Midnight Blue forbo lino top with edge band <input type="checkbox"/>	+\$1027
<b>J82</b>	4182 Spring Green forbo lino top with edge band <input type="checkbox"/>	+\$1027
<b>J83</b>	4183 Pistachio forbo lino top with edge band <input type="checkbox"/>	+\$1027
<b>J84</b>	4184 Olive forbo lino top with edge band <input type="checkbox"/>	+\$1027
<b>J85</b>	4185 Powder forbo lino top with edge band <input type="checkbox"/>	+\$1027
<b>J86</b>	4186 Orange Blast forbo lino top with edge band <input type="checkbox"/>	+\$1027



NaughtOne® Meeting Tables

**Product Information**

**Description**

This leg set is required to complete a Morse Table System build-your-own configuration. Legs come in either powder coated mild steel, or solid wood finished in a clear lacquer. Product is delivered unassembled.

**Notes**

When specified with a cable managed leg, a standard leg is replaced with a version that has an aperture to guide a cable from table top to floor. Cable managed leg can be used in any leg position.

Specify depth and height of leg set to match other elements in build-your-own configuration.

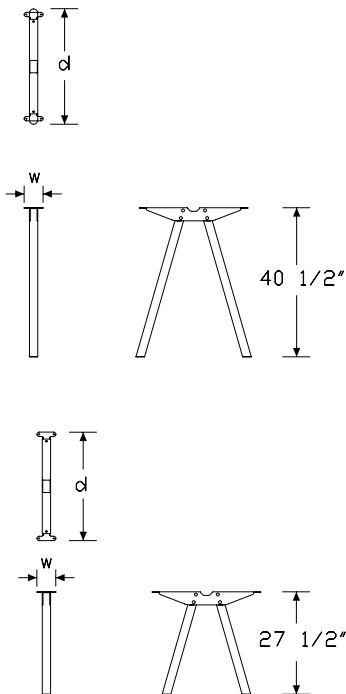
Morse build-your-own table must contain at least 2 section starters (NOMSxSx) or leaf ends (NOMSLFD) and 1 leg set. Section middles (NOMSxMx) can be used to extend the length of the build-your-own table.

Leaf ends are only available for 55" deep build-your-own tables.

Dimensional illustration does not contain all configurations.

For further information, reference Morse Planning Guide.

**Dimensions**



**Specification Information**

**Step 1.**

**NOMSLG**

**Step 2. Type**

<b>A3</b>	leg set A - 800d <input type="checkbox"/>	+\$688
<b>A5</b>	bar height leg set A - 800d <input type="checkbox"/>	+\$787
<b>D3</b>	leg set D - 1400d <input type="checkbox"/>	+\$836
<b>D5</b>	bar height leg set D - 1400d <input type="checkbox"/>	+\$935

**Step 3. Cable Management**

<b>A</b>	no dot power port, no cable management <input type="checkbox"/>	+\$0
<b>X</b>	no dot power port, comes with cable managed leg <input type="checkbox"/>	+\$295

**Step 4. Leg Material**

<b>W</b>	wood <input type="checkbox"/>	+\$0
<b>S</b>	steel <input type="checkbox"/>	+\$0

**Step 5. Leg Finish**

*For wood (W)*

<b>OAK</b>	oak <input type="checkbox"/>	+\$151
------------	------------------------------	--------

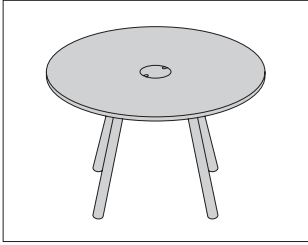
*For steel (S)*

<b>R00</b>	black RAL 9005 <input type="checkbox"/>	+\$0
<b>R14</b>	signal white RAL9003 <input type="checkbox"/>	+\$0
<b>R02</b>	stone grey RAL 7030 <input type="checkbox"/>	+\$151
<b>R03</b>	silver - RAL 9006 <input type="checkbox"/>	+\$151
<b>R08</b>	traffic orange RAL 2009 <input type="checkbox"/>	+\$151
<b>R13</b>	pastel blue RAL 5024 <input type="checkbox"/>	+\$151
<b>R23</b>	black grey RAL 7021 <input type="checkbox"/>	+\$151
<b>R24</b>	leaf green RAL 6002 <input type="checkbox"/>	+\$151
<b>R25</b>	pale green RAL 6021 <input type="checkbox"/>	+\$151
<b>R26</b>	RAL 3020 red <input type="checkbox"/>	+\$151
<b>R28</b>	light pink RAL 3015 <input type="checkbox"/>	+\$151
<b>R29</b>	dark blue RAL 5001 <input type="checkbox"/>	+\$151
<b>R30</b>	oyster RAL 1013 <input type="checkbox"/>	+\$151
<b>R38</b>	broom yellow RAL 1032 <input type="checkbox"/>	+\$151
<b>R39</b>	moss green RAL 6005 <input type="checkbox"/>	+\$151
<b>R40</b>	steel blue RAL 5011 <input type="checkbox"/>	+\$151

## Morse Leg Set *continued*

### Step 6. Under-Frame Finish

R00	black RAL 9005	A	+\$0
R14	signal white RAL9003	A	+\$0
R02	stone grey RAL 7030	A	+\$76
R03	silver - RAL 9006	A	+\$76
R08	traffic orange RAL 2009	A	+\$76
R13	pastel blue RAL 5024	A	+\$76
R23	black grey RAL 7021	A	+\$76
R24	leaf green RAL 6002	A	+\$76
R25	pale green RAL 6021	A	+\$76
R26	RAL 3020 red	A	+\$76
R28	light pink RAL 3015	A	+\$76
R29	dark blue RAL 5001	A	+\$76
R30	oyster RAL 1013	A	+\$76
R38	broom yellow RAL 1032	A	+\$76
R39	moss green RAL 6005	A	+\$76
R40	steel blue RAL 5011	A	+\$76



NaughtOne® Meeting Tables

**Product Information**

**Description**

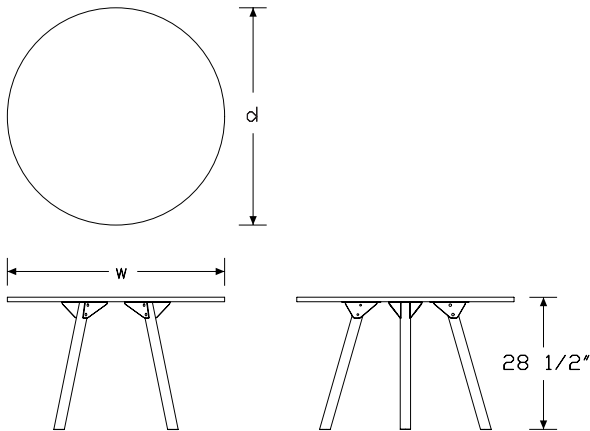
This chair has a laser cut and folded mild steel underframe, finished with polyester powder coat. Legs come in either power coated mild steel, or solid wood finished in a clear lacquer. Tops are available in a variety of materials and finishes. Product is delivered unassembled.

**Notes**

Nominal dimensions rounded to the nearest 1/2 inch.

Type	Width	Depth	Height
12	47	47	28 1/2
14	55	55	28 1/2

**Dimensions**



**Specification Information**

**Step 1.**

**NOMSO3**

**Step 2. Type**

12	circular table - 1200	<input type="checkbox"/>	+\$3342
14	circular table - 1400	<input type="checkbox"/>	+\$4128

**Step 3. Cable Management**

A	no dot power port, no cable management	<input type="checkbox"/>	+\$0
Y	one dot power port, comes with cable tray and cable managed leg	<input type="checkbox"/>	+\$934

**Step 4. Leg Material**

W	wood	<input type="checkbox"/>	+\$0
S	steel	<input type="checkbox"/>	+\$0

**Step 5. Leg Finish**

*For wood (W)*

OAK	oak	<input type="checkbox"/>	+\$302
-----	-----	--------------------------	--------

*For steel (S)*

R00	black RAL 9005	<input type="checkbox"/>	+\$0
R14	signal white RAL9003	<input type="checkbox"/>	+\$0
R02	stone grey RAL 7030	<input type="checkbox"/>	+\$302
R03	silver - RAL 9006	<input type="checkbox"/>	+\$302
R08	traffic orange RAL 2009	<input type="checkbox"/>	+\$302
R13	pastel blue RAL 5024	<input type="checkbox"/>	+\$302
R23	black grey RAL 7021	<input type="checkbox"/>	+\$302
R24	leaf green RAL 6002	<input type="checkbox"/>	+\$302
R25	pale green RAL 6021	<input type="checkbox"/>	+\$302
R26	RAL 3020 red	<input type="checkbox"/>	+\$302
R28	light pink RAL 3015	<input type="checkbox"/>	+\$302
R29	dark blue RAL 5001	<input type="checkbox"/>	+\$302
R30	oyster RAL 1013	<input type="checkbox"/>	+\$302
R38	broom yellow RAL 1032	<input type="checkbox"/>	+\$302
R39	moss green RAL 6005	<input type="checkbox"/>	+\$302
R40	steel blue RAL 5011	<input type="checkbox"/>	+\$302

**Step 6. Under-Frame Finish**

<b>R00</b>	black RAL 9005 [A]	+\$0
<b>R14</b>	signal white RAL9003 [A]	+\$0
<b>R02</b>	stone grey RAL 7030 [A]	+\$302
<b>R03</b>	silver - RAL 9006 [A]	+\$302
<b>R08</b>	traffic orange RAL 2009 [A]	+\$302
<b>R13</b>	pastel blue RAL 5024 [A]	+\$302
<b>R23</b>	black grey RAL 7021 [A]	+\$302
<b>R24</b>	leaf green RAL 6002 [A]	+\$302
<b>R25</b>	pale green RAL 6021 [A]	+\$302
<b>R26</b>	RAL 3020 red [A]	+\$302
<b>R28</b>	light pink RAL 3015 [A]	+\$302
<b>R29</b>	dark blue RAL 5001 [A]	+\$302
<b>R30</b>	oyster RAL 1013 [A]	+\$302
<b>R38</b>	broom yellow RAL 1032 [A]	+\$302
<b>R39</b>	moss green RAL 6005 [A]	+\$302
<b>R40</b>	steel blue RAL 5011 [A]	+\$302

**Step 7. Surface Finish**

*For circular table - 1200 (12)*

<b>BSE</b>	black MFMDf top with edge band [A]	+\$0
<b>WSE</b>	white MFMDf top with edge band [A]	+\$0
<b>OKE</b>	oak veneer top with edge band [A]	+\$634
<b>J23</b>	4023 Nero forbo lino top with edge band [A]	+\$1553
<b>J32</b>	4132 Ash forbo lino top with edge band [A]	+\$1553
<b>J55</b>	4155 Pewter forbo lino top with edge band [A]	+\$1553
<b>J57</b>	4157 Pearl forbo lino top with edge band [A]	+\$1553
<b>J64</b>	4164 Salsa forbo lino top with edge band [A]	+\$1553
<b>J66</b>	4166 Charcoal forbo lino top with edge band [A]	+\$1553
<b>J72</b>	4172 Mauve forbo lino top with edge band [A]	+\$1553
<b>J74</b>	4174 Conifer forbo lino top with edge band [A]	+\$1553
<b>J75</b>	4175 Pebble forbo lino top with edge band [A]	+\$1553
<b>J76</b>	4176 Mushroom forbo lino top with edge band [A]	+\$1553
<b>J77</b>	4177 Vapour forbo lino top with edge band [A]	+\$1553
<b>J78</b>	4178 Iron forbo lino top with edge band [A]	+\$1553
<b>J79</b>	4179 Smokey Blue forbo lino top with edge band [A]	+\$1553
<b>J80</b>	4180 Aquavert forbo lino top with edge band [A]	+\$1553
<b>J81</b>	4181 Midnight Blue forbo lino top with edge band [A]	+\$1553
<b>J82</b>	4182 Spring Green forbo lino top with edge band [A]	+\$1553
<b>J83</b>	4183 Pistachio forbo lino top with edge band [A]	+\$1553
<b>J84</b>	4184 Olive forbo lino top with edge band [A]	+\$1553
<b>J85</b>	4185 Powder forbo lino top with edge band [A]	+\$1553
<b>J86</b>	4186 Orange Blast forbo lino top with edge band [A]	+\$1553

*For circular table - 1400 (14)*

<b>BSE</b>	black MFMDf top with edge band [A]	+\$0
<b>WSE</b>	white MFMDf top with edge band [A]	+\$0
<b>OKE</b>	oak veneer top with edge band [A]	+\$1493
<b>J23</b>	4023 Nero forbo lino top with edge band [A]	+\$1901
<b>J32</b>	4132 Ash forbo lino top with edge band [A]	+\$1901
<b>J55</b>	4155 Pewter forbo lino top with edge band [A]	+\$1901
<b>J57</b>	4157 Pearl forbo lino top with edge band [A]	+\$1901
<b>J64</b>	4164 Salsa forbo lino top with edge band [A]	+\$1901
<b>J66</b>	4166 Charcoal forbo lino top with edge band [A]	+\$1901
<b>J72</b>	4172 Mauve forbo lino top with edge band [A]	+\$1901
<b>J74</b>	4174 Conifer forbo lino top with edge band [A]	+\$1901
<b>J75</b>	4175 Pebble forbo lino top with edge band [A]	+\$1901
<b>J76</b>	4176 Mushroom forbo lino top with edge band [A]	+\$1901
<b>J77</b>	4177 Vapour forbo lino top with edge band [A]	+\$1901
<b>J78</b>	4178 Iron forbo lino top with edge band [A]	+\$1901
<b>J79</b>	4179 Smokey Blue forbo lino top with edge band [A]	+\$1901
<b>J80</b>	4180 Aquavert forbo lino top with edge band [A]	+\$1901
<b>J81</b>	4181 Midnight Blue forbo lino top with edge band [A]	+\$1901
<b>J82</b>	4182 Spring Green forbo lino top with edge band [A]	+\$1901
<b>J83</b>	4183 Pistachio forbo lino top with edge band [A]	+\$1901
<b>J84</b>	4184 Olive forbo lino top with edge band [A]	+\$1901
<b>J85</b>	4185 Powder forbo lino top with edge band [A]	+\$1901
<b>J86</b>	4186 Orange Blast forbo lino top with edge band [A]	+\$1901

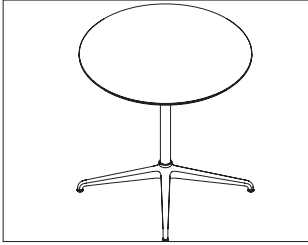
**Step 8. Dot Power Port Finish**

*For no dot power port, no cable management (A)*

<b>N</b>	no selection necessary [A]	+\$0
----------	----------------------------	------

*For one dot power port, comes with cable tray and cable managed leg (Y)*

<b>R00</b>	black RAL 9005 [A]	+\$0
<b>R14</b>	signal white RAL9003 [A]	+\$0
<b>R02</b>	stone grey RAL 7030 [A]	+\$0
<b>R03</b>	silver - RAL 9006 [A]	+\$0
<b>R08</b>	traffic orange RAL 2009 [A]	+\$0
<b>R13</b>	pastel blue RAL 5024 [A]	+\$0
<b>R23</b>	black grey RAL 7021 [A]	+\$0
<b>R24</b>	leaf green RAL 6002 [A]	+\$0
<b>R25</b>	pale green RAL 6021 [A]	+\$0
<b>R26</b>	RAL 3020 red [A]	+\$0
<b>R28</b>	light pink RAL 3015 [A]	+\$0
<b>R29</b>	dark blue RAL 5001 [A]	+\$0
<b>R30</b>	oyster RAL 1013 [A]	+\$0
<b>R38</b>	broom yellow RAL 1032 [A]	+\$0
<b>R39</b>	moss green RAL 6005 [A]	+\$0
<b>R40</b>	steel blue RAL 5011 [A]	+\$0



NaughtOne® Meeting Tables

**Product Information**

**Description**

The Ali table range is constructed using the 4-star aluminum base and comes in a variety of shapes, sizes and colors. The base matches other 4-star bases found on Always, Hush, Polly and Viv.

**Notes**

Nominal dimensions rounded to the nearest 1/2 inch.

Type	Width	Diameter	Depth	Height
C650		25 1/2		29 1/2
C850		33 1/2		29 1/2
SQ650	25 1/2		25 1/2	29 1/2
SQ850	33 1/2		33 1/2	29 1/2

**Specification Information**

**Step 1.**

**NOALI2**

**Step 2. Type**

- C650** circular cafe table 650
- C850** circular cafe table 850
- SQ650** square cafe table 650
- SQ850** square cafe table 850

**Prices for Steps 1-2.**

<b>NOALI2 C650</b>	\$1189
<b>C850</b>	\$1357
<b>SQ650</b>	\$1189
<b>SQ850</b>	\$1357

**Step 3. Base Finish**

<b>R00</b> black RAL 9005 <input type="checkbox"/>	+\$0
<b>R14</b> white RAL 9003 <input type="checkbox"/>	+\$0
<b>R02</b> stone grey RAL 7030 <input type="checkbox"/>	+\$275
<b>R03</b> silver - RAL 9006 <input type="checkbox"/>	+\$275
<b>R08</b> traffic orange RAL 2009 <input type="checkbox"/>	+\$275
<b>R13</b> pastel blue RAL 5024 <input type="checkbox"/>	+\$275
<b>R23</b> black grey RAL 7021 <input type="checkbox"/>	+\$275
<b>R24</b> leaf green RAL 6002 <input type="checkbox"/>	+\$275
<b>R25</b> pale green RAL 6021 <input type="checkbox"/>	+\$275
<b>R26</b> RAL 3020 red <input type="checkbox"/>	+\$275
<b>R28</b> light pink RAL 3015 <input type="checkbox"/>	+\$275
<b>R29</b> dark blue RAL 5001 <input type="checkbox"/>	+\$275
<b>R30</b> oyster RAL 1013 <input type="checkbox"/>	+\$275
<b>R38</b> broom yellow RAL 1032 <input type="checkbox"/>	+\$275
<b>R39</b> moss green RAL 6005 <input type="checkbox"/>	+\$275
<b>R40</b> steel blue RAL 5011 <input type="checkbox"/>	+\$275



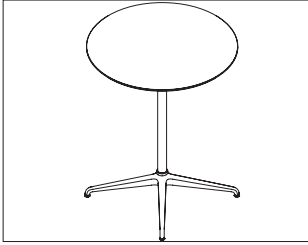
Step 4. Surface Finish

*For circular cafe table 650 (C650) or square cafe table 650 (SQ650)*

<b>WSE</b>	white melamine with std edge band <span style="border: 1px solid black; padding: 0 2px;">A</span>	+\$0
<b>WRC</b>	white melamine with reverse chamfer edge <span style="border: 1px solid black; padding: 0 2px;">A</span>	+\$0
<b>BSE</b>	black melamine with std edge band <span style="border: 1px solid black; padding: 0 2px;">A</span>	+\$0
<b>BRC</b>	black melamine with reverse chamfer edge <span style="border: 1px solid black; padding: 0 2px;">A</span>	+\$0
<b>OAK</b>	n1 oak <span style="border: 1px solid black; padding: 0 2px;">A</span>	+\$82
<b>WLN</b>	n1 walnut <span style="border: 1px solid black; padding: 0 2px;">A</span>	+\$82
<b>Q76</b>	lino mushroom 4176 <span style="border: 1px solid black; padding: 0 2px;">A</span>	+\$547
<b>Q75</b>	lino pebble 4175 <span style="border: 1px solid black; padding: 0 2px;">A</span>	+\$547
<b>Q32</b>	lino ash 4132 <span style="border: 1px solid black; padding: 0 2px;">A</span>	+\$547
<b>Q55</b>	lino pewter 4155 <span style="border: 1px solid black; padding: 0 2px;">A</span>	+\$547
<b>Q66</b>	lino charcoal 4166 <span style="border: 1px solid black; padding: 0 2px;">A</span>	+\$547
<b>Q23</b>	lino nero 4123 <span style="border: 1px solid black; padding: 0 2px;">A</span>	+\$547
<b>Q79</b>	lino smokey blue 4179 <span style="border: 1px solid black; padding: 0 2px;">A</span>	+\$547
<b>Q72</b>	lino mauve 4172 <span style="border: 1px solid black; padding: 0 2px;">A</span>	+\$547

*For circular cafe table 850 (C850) or square cafe table 850 (SQ850)*

<b>WSE</b>	white melamine with std edge band <span style="border: 1px solid black; padding: 0 2px;">A</span>	+\$0
<b>WRC</b>	white melamine with reverse chamfer edge <span style="border: 1px solid black; padding: 0 2px;">A</span>	+\$0
<b>BSE</b>	black melamine with std edge band <span style="border: 1px solid black; padding: 0 2px;">A</span>	+\$0
<b>BRC</b>	black melamine with reverse chamfer edge <span style="border: 1px solid black; padding: 0 2px;">A</span>	+\$0
<b>OAK</b>	n1 oak <span style="border: 1px solid black; padding: 0 2px;">A</span>	+\$111
<b>WLN</b>	n1 walnut <span style="border: 1px solid black; padding: 0 2px;">A</span>	+\$111
<b>Q76</b>	lino mushroom 4176 <span style="border: 1px solid black; padding: 0 2px;">A</span>	+\$622
<b>Q75</b>	lino pebble 4175 <span style="border: 1px solid black; padding: 0 2px;">A</span>	+\$622
<b>Q32</b>	lino ash 4132 <span style="border: 1px solid black; padding: 0 2px;">A</span>	+\$622
<b>Q55</b>	lino pewter 4155 <span style="border: 1px solid black; padding: 0 2px;">A</span>	+\$622
<b>Q66</b>	lino charcoal 4166 <span style="border: 1px solid black; padding: 0 2px;">A</span>	+\$622
<b>Q23</b>	lino nero 4123 <span style="border: 1px solid black; padding: 0 2px;">A</span>	+\$622
<b>Q79</b>	lino smokey blue 4179 <span style="border: 1px solid black; padding: 0 2px;">A</span>	+\$622
<b>Q72</b>	lino mauve 4172 <span style="border: 1px solid black; padding: 0 2px;">A</span>	+\$622



NaughtOne® Meeting Tables

**Product Information**

**Description**

The Ali table range is constructed using the 4-star aluminum base and comes in a variety of shapes, sizes and colors. The base matches other 4-star bases found on Always, Hush, Polly and Viv.

**Notes**

Nominal dimensions rounded to the nearest 1/2 inch.

Type	Width	Diameter	Depth	Height
C650		25 1/2		39 1/2
C850		33 1/2		39 1/2
SQ650	25 1/2		25 1/2	39 1/2

**Specification Information**

**Step 1.**

**NOALI3**

**Step 2. Type**

**C650** bar height circular table 650

**C850** bar height circular table 850

**SQ650** bar height square table 650

**Prices for Steps 1-2.**

<b>NOALI3 C650</b>	\$1216
<b>C850</b>	\$1388
<b>SQ650</b>	\$1216

**Step 3. Base Finish**

<b>R00</b> black RAL 9005 <input type="checkbox"/>	+\$0
<b>R14</b> signal white RAL9003 <input type="checkbox"/>	+\$0
<b>R23</b> black grey RAL 7021 <input type="checkbox"/>	+\$275
<b>R24</b> leaf green RAL 6002 <input type="checkbox"/>	+\$275
<b>R25</b> pale green RAL 6021 <input type="checkbox"/>	+\$275
<b>R26</b> RAL 3020 red <input type="checkbox"/>	+\$275
<b>R28</b> light pink RAL 3015 <input type="checkbox"/>	+\$275
<b>R29</b> dark blue RAL 5001 <input type="checkbox"/>	+\$275
<b>R02</b> stone grey RAL 7030 <input type="checkbox"/>	+\$275
<b>R03</b> silver - RAL 9006 <input type="checkbox"/>	+\$275
<b>R08</b> traffic orange RAL 2009 <input type="checkbox"/>	+\$275
<b>R13</b> pastel blue RAL 5024 <input type="checkbox"/>	+\$275
<b>R30</b> oyster RAL 1013 <input type="checkbox"/>	+\$275
<b>R38</b> broom yellow RAL 1032 <input type="checkbox"/>	+\$275
<b>R39</b> moss green RAL 6005 <input type="checkbox"/>	+\$275
<b>R40</b> steel blue RAL 5011 <input type="checkbox"/>	+\$275

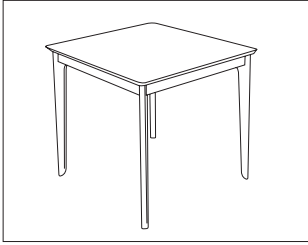
Step 4. Surface Finish

*For bar height circular table 650 (C650) or bar height square table 650 (SQ650)*

<b>WSE</b>	white melamine with std edge band	A	+\$0
<b>WRC</b>	white melamine with reverse chamfer edge	A	+\$0
<b>BSE</b>	black melamine with std edge band	A	+\$0
<b>BRC</b>	black melamine with reverse chamfer edge	A	+\$0
<b>OAK</b>	n1 oak	A	+\$82
<b>WLN</b>	n1 walnut	A	+\$82
<b>Q76</b>	lino mushroom 4176	A	+\$547
<b>Q75</b>	lino pebble 4175	A	+\$547
<b>Q32</b>	lino ash 4132	A	+\$547
<b>Q55</b>	lino pewter 4155	A	+\$547
<b>Q66</b>	lino charcoal 4166	A	+\$547
<b>Q23</b>	lino nero 4123	A	+\$547
<b>Q79</b>	lino smokey blue 4179	A	+\$547
<b>Q72</b>	lino mauve 4172	A	+\$547

*For bar height circular table 850 (C850)*

<b>WSE</b>	white melamine with std edge band	A	+\$0
<b>WRC</b>	white melamine with reverse chamfer edge	A	+\$0
<b>BSE</b>	black melamine with std edge band	A	+\$0
<b>BRC</b>	black melamine with reverse chamfer edge	A	+\$0
<b>OAK</b>	n1 oak	A	+\$111
<b>WLN</b>	n1 walnut	A	+\$111
<b>Q76</b>	lino mushroom 4176	A	+\$621
<b>Q75</b>	lino pebble 4175	A	+\$621
<b>Q32</b>	lino ash 4132	A	+\$621
<b>Q55</b>	lino pewter 4155	A	+\$621
<b>Q66</b>	lino charcoal 4166	A	+\$621
<b>Q23</b>	lino nero 4123	A	+\$621
<b>Q79</b>	lino smokey blue 4179	A	+\$621
<b>Q72</b>	lino mauve 4172	A	+\$621



NaughtOne® Meeting Tables

**Product Information**

**Description**

This café table has solid oak or solid walnut legs that are CNC cut and shaped and hand finished before receiving a coat of matte lacquer. Table understructure is oak veneer or walnut veneer with a matching matte lacquer. Table top is available in a variety of finishes. Table components are delivered disassembled.

**Notes**

Nominal dimensions rounded to the nearest 1/2 inch.

Type	Width	Depth	Height	Diameter
10			29 1/2	33 1/2
20	25 1/2	25 1/2	29 1/2	
30	33 1/2	33 1/2	29 1/2	

**Specification Information**

**Step 1.**

**NODLN2**

**Step 2. Type**

- 20** square café table 650
- 10** circular café table 850
- 30** square café table 850

**Prices for Steps 1-2.**

<b>NODLN2 20</b>	\$2924
<b>10</b>	\$3047
<b>30</b>	\$3047

**Step 3. Leg Finish**

- OAK** oak  +\$0
- WLN** walnut  +\$207

**Step 4. Surface Finish**

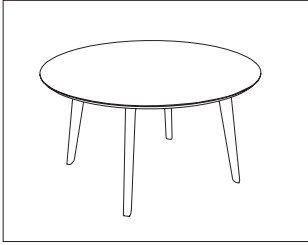
*For square café table 650 (20)*

<b>BRC</b>	black melamine with reverse chamfer edge <input type="checkbox"/>	+\$0
<b>BSE</b>	black melamine with std edge band <input type="checkbox"/>	+\$0
<b>WRC</b>	white melamine with reverse chamfer edge <input type="checkbox"/>	+\$0
<b>WSE</b>	white melamine with std edge band <input type="checkbox"/>	+\$0
<b>OAK</b>	oak <input type="checkbox"/>	+\$66
<b>WLN</b>	walnut <input type="checkbox"/>	+\$66
<b>Q23</b>	lino nero 4123 <input type="checkbox"/>	+\$476
<b>Q32</b>	lino ash 4132 <input type="checkbox"/>	+\$476
<b>Q55</b>	lino pewter 4155 <input type="checkbox"/>	+\$476
<b>Q66</b>	lino charcoal 4166 <input type="checkbox"/>	+\$476
<b>Q72</b>	lino mauve 4172 <input type="checkbox"/>	+\$476
<b>Q75</b>	lino pebble 4175 <input type="checkbox"/>	+\$476
<b>Q76</b>	lino mushroom 4176 <input type="checkbox"/>	+\$476
<b>Q79</b>	lino smokey blue 4179 <input type="checkbox"/>	+\$476

Dalby Café Tables *continued*

*For circular café table 850 (10) or square café table 850 (30)*

<b>BRC</b>	black melamine with reverse chamfer edge	A	+\$0
<b>BSE</b>	black melamine with std edge band	A	+\$0
<b>WRC</b>	white melamine with reverse chamfer edge	A	+\$0
<b>WSE</b>	white melamine with std edge band	A	+\$0
<b>OAK</b>	oak	A	+\$75
<b>WLN</b>	walnut	A	+\$75
<b>Q23</b>	lino nero 4123	A	+\$466
<b>Q32</b>	lino ash 4132	A	+\$466
<b>Q55</b>	lino pewter 4155	A	+\$466
<b>Q66</b>	lino charcoal 4166	A	+\$466
<b>Q72</b>	lino mauve 4172	A	+\$466
<b>Q75</b>	lino pebble 4175	A	+\$466
<b>Q76</b>	lino mushroom 4176	A	+\$466
<b>Q79</b>	lino smokey blue 4179	A	+\$466



NaughtOne® Meeting Tables

**Product Information**

**Description**

This circular table has solid oak or solid walnut legs that are CNC cut and shaped and hand finished before receiving a coat of matte lacquer. Table understructure is oak veneer or walnut veneer with a matching matte lacquer. Table top is available in a variety of finishes. Table components are delivered disassembled.

**Notes**

Nominal dimensions rounded to the nearest 1/2 inch.

Type	Height	Diameter
00	29 1/2	47 1/2
10	29 1/2	55
20	29 1/2	63

When specifying table with a cutout, order power unit separately:

- For cutout (1D3) option, order power unit NOPWRBYDSMD3xxxx
- For cutout (1D4) option, order power unit NOPWRBYDSMD4xxxx
- For cutout (1D5) option, order power unit NOPWRBYDSMD5xxxx
- For cutout (1G3) option, order power unit NOPWRHMG1000G3xxxx
- For cutout (1G5) option, order power unit NOPWRHMG1000G5xxxx

When specified with cable management (WCL) leg type, a leg is replaced with a version that has an aperture to guide a cable from table top to floor.

**Specification Information**

**Step 1.**

**NODLN3**

**Step 2. Type**

<b>00</b>	circular table 1200	<input type="checkbox"/>
<b>10</b>	circular table 1400	<input type="checkbox"/>
<b>20</b>	circular table 1600	<input type="checkbox"/>

**Prices for Steps 1-2.**

<b>NODLN3 00</b>	\$5478
<b>10</b>	\$5516
<b>20</b>	\$6904

**Step 3. Leg Finish**

<b>OAK</b>	oak <input type="checkbox"/>	+\$0
<b>WLN</b>	walnut <input type="checkbox"/>	+\$244

**Step 4. Surface Finish**

*For circular table 1200 (00)*

<b>BRC</b>	black melamine with reverse chamfer edge <input type="checkbox"/>	+\$0
<b>BSE</b>	black melamine with std edge band <input type="checkbox"/>	+\$0
<b>WRC</b>	white melamine with reverse chamfer edge <input type="checkbox"/>	+\$0
<b>WSE</b>	white melamine with std edge band <input type="checkbox"/>	+\$0
<b>OAK</b>	oak <input type="checkbox"/>	+\$0
<b>WLN</b>	walnut <input type="checkbox"/>	+\$0
<b>Q23</b>	lino nero 4123 <input type="checkbox"/>	+\$279
<b>Q32</b>	lino ash 4132 <input type="checkbox"/>	+\$279
<b>Q55</b>	lino pewter 4155 <input type="checkbox"/>	+\$279
<b>Q66</b>	lino charcoal 4166 <input type="checkbox"/>	+\$279
<b>Q72</b>	lino mauve 4172 <input type="checkbox"/>	+\$279
<b>Q75</b>	lino pebble 4175 <input type="checkbox"/>	+\$279
<b>Q76</b>	lino mushroom 4176 <input type="checkbox"/>	+\$279
<b>Q79</b>	lino smokey blue 4179 <input type="checkbox"/>	+\$279

Dalby Circular Tables *continued*

For circular table 1400 (10)

<b>BRC</b>	black melamine with reverse chamfer edge	A	+\$0
<b>BSE</b>	black melamine with std edge band	A	+\$0
<b>WRC</b>	white melamine with reverse chamfer edge	A	+\$0
<b>WSE</b>	white melamine with std edge band	A	+\$0
<b>OAK</b>	oak	A	+\$0
<b>WLN</b>	walnut	A	+\$0
<b>Q23</b>	lino nero 4123	A	+\$834
<b>Q32</b>	lino ash 4132	A	+\$834
<b>Q55</b>	lino pewter 4155	A	+\$834
<b>Q66</b>	lino charcoal 4166	A	+\$834
<b>Q72</b>	lino mauve 4172	A	+\$834
<b>Q75</b>	lino pebble 4175	A	+\$834
<b>Q76</b>	lino mushroom 4176	A	+\$834
<b>Q79</b>	lino smokey blue 4179	A	+\$834

For circular table 1600 (20)

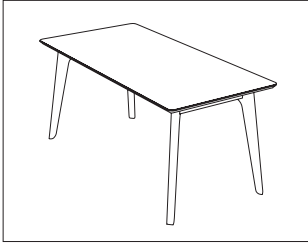
<b>Q23</b>	lino nero 4123	A	+\$249
<b>Q32</b>	lino ash 4132	A	+\$249
<b>Q55</b>	lino pewter 4155	A	+\$249
<b>Q66</b>	lino charcoal 4166	A	+\$249
<b>Q72</b>	lino mauve 4172	A	+\$249
<b>Q75</b>	lino pebble 4175	A	+\$249
<b>Q76</b>	lino mushroom 4176	A	+\$249
<b>Q79</b>	lino smokey blue 4179	A	+\$249
<b>BRC</b>	black melamine with reverse chamfer edge	A	+\$0
<b>BSE</b>	black melamine with std edge band	A	+\$0
<b>WRC</b>	white melamine with reverse chamfer edge	A	+\$0
<b>WSE</b>	white melamine with std edge band	A	+\$0
<b>OAK</b>	oak	A	+\$244
<b>WLN</b>	walnut	A	+\$244

Step 5. Cutout

<b>OCS</b>	no cutout	A	+\$0
<b>1D3</b>	with central cutout for Byrne Dean Surface Mount 3 port unit (1 <sup>15</sup> / <sub>16</sub> " x 6 <sup>5</sup> / <sub>16</sub> ")	A	+\$636
<b>1D4</b>	with central cutout for Byrne Dean Surface Mount 4 port unit (1 <sup>15</sup> / <sub>16</sub> " x 7 <sup>13</sup> / <sub>16</sub> ")	A	+\$636
<b>1D5</b>	with central cutout for Byrne Dean Surface Mount 5 port unit (1 <sup>15</sup> / <sub>16</sub> " x 9 <sup>5</sup> / <sub>16</sub> ")	A	+\$636
<b>1G3</b>	with central cutout for HM G1000 3 port unit (6 <sup>1</sup> / <sub>2</sub> " x 7 <sup>1</sup> / <sub>4</sub> ")	A	+\$636
<b>1G5</b>	with central cutout for HM G1000 5 port unit (6 <sup>1</sup> / <sub>2</sub> " x 10 <sup>3</sup> / <sub>4</sub> ")	A	+\$636

Step 6. Leg Type

<b>WSL</b>	with standard legs	A	+\$0
<b>WCL</b>	with a cable managed leg	A	+\$295



NaughtOne® Meeting Tables

**Product Information**

**Description**

This rectangular table has solid oak or solid walnut legs that are CNC cut and shaped and hand finished before receiving a coat of matte lacquer. Table understructure is oak veneer or walnut veneer with a matching matte lacquer. Table top is available in a variety of finishes. Table components are delivered disassembled.

**Notes**

Nominal dimensions rounded to the nearest 1/2 inch.

Type	Width	Depth	Height
00	63	31 1/2	29 1/2
10	71	31 1/2	29 1/2
20	79	35 1/2	29 1/2
30	87	35 1/2	29 1/2
40	94 1/2	39	29 1/2
50	94 1/2	47 1/2	29 1/2

When specifying table with a cutout, order power unit separately:

- For cutout (1D3) option, order power unit NOPWRBYDSMD3xxxx
- For cutout (1D4) option, order power unit NOPWRBYDSMD4xxxx
- For cutout (1D5) option, order power unit NOPWRBYDSMD5xxxx
- For cutout (1G3) option, order power unit NOPWRHMG1000G3xxxx
- For cutout (1G5) option, order power unit NOPWRHMG1000G5xxxx

When specified with cable management (WCL) leg type, a leg is replaced with a version that has an aperture to guide a cable from table top to floor.

**Specification Information**

**Step 1.**

**NODLN4**

**Step 2. Type**

<b>00</b>	rectangular table 1600 x 800	<input type="checkbox"/>
<b>10</b>	rectangular table 1800 x 800	<input type="checkbox"/>
<b>20</b>	rectangular table 2000 x 900	<input type="checkbox"/>
<b>30</b>	rectangular table 2200 x 900	<input type="checkbox"/>
<b>40</b>	rectangular table 2400 x 1000	<input type="checkbox"/>
<b>50</b>	rectangular table 2400 x 1200	<input type="checkbox"/>

**Prices for Steps 1-2.**

<b>NODLN4 00</b>	\$4586
<b>10</b>	\$4833
<b>20</b>	\$5112
<b>30</b>	\$5839
<b>40</b>	\$6166
<b>50</b>	\$6917

**Step 3. Leg Finish**

<b>WLN</b>	walnut <input type="checkbox"/>	+\$244
<b>OAK</b>	oak <input type="checkbox"/>	+\$0

**Step 4. Surface Finish**

*For rectangular table 1600 x 800 (00)*

<b>BRC</b>	black melamine with reverse chamfer edge <input type="checkbox"/>	+\$0
<b>BSE</b>	black melamine with std edge band <input type="checkbox"/>	+\$0
<b>WRC</b>	white melamine with reverse chamfer edge <input type="checkbox"/>	+\$0
<b>WSE</b>	white melamine with std edge band <input type="checkbox"/>	+\$0
<b>OAK</b>	oak <input type="checkbox"/>	+\$517
<b>WLN</b>	walnut <input type="checkbox"/>	+\$517
<b>Q23</b>	lino nero 4123 <input type="checkbox"/>	+\$814
<b>Q32</b>	lino ash 4132 <input type="checkbox"/>	+\$814
<b>Q55</b>	lino pewter 4155 <input type="checkbox"/>	+\$814
<b>Q66</b>	lino charcoal 4166 <input type="checkbox"/>	+\$814
<b>Q72</b>	lino mauve 4172 <input type="checkbox"/>	+\$814
<b>Q75</b>	lino pebble 4175 <input type="checkbox"/>	+\$814
<b>Q76</b>	lino mushroom 4176 <input type="checkbox"/>	+\$814
<b>Q79</b>	lino smokey blue 4179 <input type="checkbox"/>	+\$814



# Dalby Rectangular Tables *continued*

*For rectangular table 1800 x 800 (10)*

<b>BRC</b>	black melamine with reverse chamfer edge <span style="border: 1px solid black; padding: 0 2px;">A</span>	+\$0
<b>BSE</b>	black melamine with std edge band <span style="border: 1px solid black; padding: 0 2px;">A</span>	+\$0
<b>WRC</b>	white melamine with reverse chamfer edge <span style="border: 1px solid black; padding: 0 2px;">A</span>	+\$0
<b>WSE</b>	white melamine with std edge band <span style="border: 1px solid black; padding: 0 2px;">A</span>	+\$0
<b>OAK</b>	oak <span style="border: 1px solid black; padding: 0 2px;">A</span>	+\$541
<b>WLN</b>	walnut <span style="border: 1px solid black; padding: 0 2px;">A</span>	+\$541
<b>Q23</b>	lino nero 4123 <span style="border: 1px solid black; padding: 0 2px;">A</span>	+\$862
<b>Q32</b>	lino ash 4132 <span style="border: 1px solid black; padding: 0 2px;">A</span>	+\$862
<b>Q55</b>	lino pewter 4155 <span style="border: 1px solid black; padding: 0 2px;">A</span>	+\$862
<b>Q66</b>	lino charcoal 4166 <span style="border: 1px solid black; padding: 0 2px;">A</span>	+\$862
<b>Q72</b>	lino mauve 4172 <span style="border: 1px solid black; padding: 0 2px;">A</span>	+\$862
<b>Q75</b>	lino pebble 4175 <span style="border: 1px solid black; padding: 0 2px;">A</span>	+\$862
<b>Q76</b>	lino mushroom 4176 <span style="border: 1px solid black; padding: 0 2px;">A</span>	+\$862
<b>Q79</b>	lino smokey blue 4179 <span style="border: 1px solid black; padding: 0 2px;">A</span>	+\$862

*For rectangular table 2000 x 900 (20)*

<b>Q23</b>	lino nero 4123 <span style="border: 1px solid black; padding: 0 2px;">A</span>	+\$1112
<b>Q32</b>	lino ash 4132 <span style="border: 1px solid black; padding: 0 2px;">A</span>	+\$1112
<b>Q55</b>	lino pewter 4155 <span style="border: 1px solid black; padding: 0 2px;">A</span>	+\$1112
<b>Q66</b>	lino charcoal 4166 <span style="border: 1px solid black; padding: 0 2px;">A</span>	+\$1112
<b>Q72</b>	lino mauve 4172 <span style="border: 1px solid black; padding: 0 2px;">A</span>	+\$1112
<b>Q75</b>	lino pebble 4175 <span style="border: 1px solid black; padding: 0 2px;">A</span>	+\$1112
<b>Q76</b>	lino mushroom 4176 <span style="border: 1px solid black; padding: 0 2px;">A</span>	+\$1112
<b>Q79</b>	lino smokey blue 4179 <span style="border: 1px solid black; padding: 0 2px;">A</span>	+\$1112
<b>BRC</b>	black melamine with reverse chamfer edge <span style="border: 1px solid black; padding: 0 2px;">A</span>	+\$0
<b>BSE</b>	black melamine with std edge band <span style="border: 1px solid black; padding: 0 2px;">A</span>	+\$0
<b>WRC</b>	white melamine with reverse chamfer edge <span style="border: 1px solid black; padding: 0 2px;">A</span>	+\$0
<b>WSE</b>	white melamine with std edge band <span style="border: 1px solid black; padding: 0 2px;">A</span>	+\$0
<b>OAK</b>	oak <span style="border: 1px solid black; padding: 0 2px;">A</span>	+\$566
<b>WLN</b>	walnut <span style="border: 1px solid black; padding: 0 2px;">A</span>	+\$566

*For rectangular table 2200 x 900 (30)*

<b>Q23</b>	lino nero 4123 <span style="border: 1px solid black; padding: 0 2px;">A</span>	+\$1063
<b>Q32</b>	lino ash 4132 <span style="border: 1px solid black; padding: 0 2px;">A</span>	+\$1063
<b>Q55</b>	lino pewter 4155 <span style="border: 1px solid black; padding: 0 2px;">A</span>	+\$1063
<b>Q66</b>	lino charcoal 4166 <span style="border: 1px solid black; padding: 0 2px;">A</span>	+\$1063
<b>Q72</b>	lino mauve 4172 <span style="border: 1px solid black; padding: 0 2px;">A</span>	+\$1063
<b>Q75</b>	lino pebble 4175 <span style="border: 1px solid black; padding: 0 2px;">A</span>	+\$1063
<b>Q76</b>	lino mushroom 4176 <span style="border: 1px solid black; padding: 0 2px;">A</span>	+\$1063
<b>Q79</b>	lino smokey blue 4179 <span style="border: 1px solid black; padding: 0 2px;">A</span>	+\$1063
<b>BRC</b>	black melamine with reverse chamfer edge <span style="border: 1px solid black; padding: 0 2px;">A</span>	+\$0
<b>BSE</b>	black melamine with std edge band <span style="border: 1px solid black; padding: 0 2px;">A</span>	+\$0
<b>WRC</b>	white melamine with reverse chamfer edge <span style="border: 1px solid black; padding: 0 2px;">A</span>	+\$0
<b>WSE</b>	white melamine with std edge band <span style="border: 1px solid black; padding: 0 2px;">A</span>	+\$0
<b>OAK</b>	oak <span style="border: 1px solid black; padding: 0 2px;">A</span>	+\$254
<b>WLN</b>	walnut <span style="border: 1px solid black; padding: 0 2px;">A</span>	+\$254

*For rectangular table 2400 x 1000 (40)*

<b>Q23</b>	lino nero 4123 <span style="border: 1px solid black; padding: 0 2px;">A</span>	+\$1116
<b>Q32</b>	lino ash 4132 <span style="border: 1px solid black; padding: 0 2px;">A</span>	+\$1116
<b>Q55</b>	lino pewter 4155 <span style="border: 1px solid black; padding: 0 2px;">A</span>	+\$1116
<b>Q66</b>	lino charcoal 4166 <span style="border: 1px solid black; padding: 0 2px;">A</span>	+\$1116
<b>Q72</b>	lino mauve 4172 <span style="border: 1px solid black; padding: 0 2px;">A</span>	+\$1116
<b>Q75</b>	lino pebble 4175 <span style="border: 1px solid black; padding: 0 2px;">A</span>	+\$1116
<b>Q76</b>	lino mushroom 4176 <span style="border: 1px solid black; padding: 0 2px;">A</span>	+\$1116
<b>Q79</b>	lino smokey blue 4179 <span style="border: 1px solid black; padding: 0 2px;">A</span>	+\$1116
<b>BRC</b>	black melamine with reverse chamfer edge <span style="border: 1px solid black; padding: 0 2px;">A</span>	+\$0
<b>BSE</b>	black melamine with std edge band <span style="border: 1px solid black; padding: 0 2px;">A</span>	+\$0
<b>WRC</b>	white melamine with reverse chamfer edge <span style="border: 1px solid black; padding: 0 2px;">A</span>	+\$0
<b>WSE</b>	white melamine with std edge band <span style="border: 1px solid black; padding: 0 2px;">A</span>	+\$0
<b>OAK</b>	oak <span style="border: 1px solid black; padding: 0 2px;">A</span>	+\$258
<b>WLN</b>	walnut <span style="border: 1px solid black; padding: 0 2px;">A</span>	+\$258

*For rectangular table 2400 x 1200 (50)*

<b>Q23</b>	lino nero 4123 <span style="border: 1px solid black; padding: 0 2px;">A</span>	+\$1271
<b>Q32</b>	lino ash 4132 <span style="border: 1px solid black; padding: 0 2px;">A</span>	+\$1271
<b>Q55</b>	lino pewter 4155 <span style="border: 1px solid black; padding: 0 2px;">A</span>	+\$1271
<b>Q66</b>	lino charcoal 4166 <span style="border: 1px solid black; padding: 0 2px;">A</span>	+\$1271
<b>Q72</b>	lino mauve 4172 <span style="border: 1px solid black; padding: 0 2px;">A</span>	+\$1271
<b>Q75</b>	lino pebble 4175 <span style="border: 1px solid black; padding: 0 2px;">A</span>	+\$1271
<b>Q76</b>	lino mushroom 4176 <span style="border: 1px solid black; padding: 0 2px;">A</span>	+\$1271
<b>Q79</b>	lino smokey blue 4179 <span style="border: 1px solid black; padding: 0 2px;">A</span>	+\$1271
<b>BRC</b>	black melamine with reverse chamfer edge <span style="border: 1px solid black; padding: 0 2px;">A</span>	+\$0
<b>BSE</b>	black melamine with std edge band <span style="border: 1px solid black; padding: 0 2px;">A</span>	+\$0
<b>WRC</b>	white melamine with reverse chamfer edge <span style="border: 1px solid black; padding: 0 2px;">A</span>	+\$0
<b>WSE</b>	white melamine with std edge band <span style="border: 1px solid black; padding: 0 2px;">A</span>	+\$0
<b>OAK</b>	oak <span style="border: 1px solid black; padding: 0 2px;">A</span>	+\$303
<b>WLN</b>	walnut <span style="border: 1px solid black; padding: 0 2px;">A</span>	+\$303

**Step 5. Cutout**

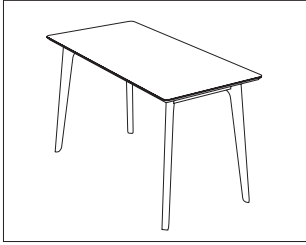
<b>OCS</b>	no cutout <span style="border: 1px solid black; padding: 0 2px;">A</span>	+\$0
<b>1D3</b>	with central cutout for Byrne Dean Surface Mount 3 port unit (1 <sup>5</sup> / <sub>16</sub> " x 6 <sup>5</sup> / <sub>16</sub> ") <span style="border: 1px solid black; padding: 0 2px;">A</span>	+\$636
<b>1D4</b>	with central cutout for Byrne Dean Surface Mount 4 port unit (1 <sup>5</sup> / <sub>16</sub> " x 7 <sup>3</sup> / <sub>16</sub> ") <span style="border: 1px solid black; padding: 0 2px;">A</span>	+\$636
<b>1D5</b>	with central cutout for Byrne Dean Surface Mount 5 port unit (1 <sup>5</sup> / <sub>16</sub> " x 9 <sup>5</sup> / <sub>16</sub> ") <span style="border: 1px solid black; padding: 0 2px;">A</span>	+\$636
<b>1G3</b>	with central cutout for HM G1000 3 port unit (6 <sup>1</sup> / <sub>2</sub> " x 7 <sup>1</sup> / <sub>4</sub> ") <span style="border: 1px solid black; padding: 0 2px;">A</span>	+\$636
<b>1G5</b>	with central cutout for HM G1000 5 port unit (6 <sup>1</sup> / <sub>2</sub> " x 10 <sup>3</sup> / <sub>4</sub> ") <span style="border: 1px solid black; padding: 0 2px;">A</span>	+\$636

## Dalby Rectangular Tables *continued*

---

### Step 6. Leg Type

<b>WSL</b>	with standard legs <input type="checkbox"/> A	+\$0
<b>WCL</b>	with a cable managed leg <input type="checkbox"/> A	+\$295



**Product Information**

**Description**

This rectangular bar height table has solid oak or solid walnut legs that are CNC cut and shaped and hand finished before receiving a coat of matte lacquer. Table understructure is oak veneer or walnut veneer with a matching matte lacquer. Table top is available in a variety of finishes. Table components are delivered disassembled.

**Notes**

Nominal dimensions rounded to the nearest 1/2 inch.

Type	Width	Depth	Height
00	63	31 1/2	39
10	71	31 1/2	39
20	79	35 1/2	39
30	87	35 1/2	39

When specifying table with a cutout, order power unit separately:

- For cutout (1D3) option, order power unit NOPWRBYDSMD3xxxx
- For cutout (1D4) option, order power unit NOPWRBYDSMD4xxxx
- For cutout (1D5) option, order power unit NOPWRBYDSMD5xxxx
- For cutout (1G3) option, order power unit NOPWRHMG1000G3xxxx
- For cutout (1G5) option, order power unit NOPWRHMG1000G5xxxx

When specified with cable management (WCL) leg type, a leg is replaced with a version that has an aperture to guide a cable from table top to floor.

**Specification Information**

**Step 1.**

**NODLN5**

**Step 2. Type**

<b>00</b>	bar height table 1600	<input type="checkbox"/>
<b>10</b>	bar height table 1800	<input type="checkbox"/>
<b>20</b>	bar height table 2000	<input type="checkbox"/>
<b>30</b>	bar height table 2200	<input type="checkbox"/>

**Prices for Steps 1-2.**

<b>NODLN5 00</b>	\$5609
<b>10</b>	\$5895
<b>20</b>	\$6224
<b>30</b>	\$7026

**Step 3. Leg Finish**

<b>OAK</b>	oak	<input type="checkbox"/>	+\$0
<b>WLN</b>	walnut	<input type="checkbox"/>	+\$323

**Step 4. Surface Finish**

*For bar height table 1600 (00)*

<b>BRC</b>	black melamine with reverse chamfer edge	<input type="checkbox"/>	+\$0
<b>BSE</b>	black melamine with std edge band	<input type="checkbox"/>	+\$0
<b>WRC</b>	white melamine with reverse chamfer edge	<input type="checkbox"/>	+\$0
<b>WSE</b>	white melamine with std edge band	<input type="checkbox"/>	+\$0
<b>OAK</b>	oak	<input type="checkbox"/>	+\$512
<b>WLN</b>	walnut	<input type="checkbox"/>	+\$512
<b>Q23</b>	lino nero 4123	<input type="checkbox"/>	+\$813
<b>Q32</b>	lino ash 4132	<input type="checkbox"/>	+\$813
<b>Q55</b>	lino pewter 4155	<input type="checkbox"/>	+\$813
<b>Q66</b>	lino charcoal 4166	<input type="checkbox"/>	+\$813
<b>Q72</b>	lino mauve 4172	<input type="checkbox"/>	+\$813
<b>Q75</b>	lino pebble 4175	<input type="checkbox"/>	+\$813
<b>Q76</b>	lino mushroom 4176	<input type="checkbox"/>	+\$813
<b>Q79</b>	lino smokey blue 4179	<input type="checkbox"/>	+\$813

Dalby Bar Height Tables *continued*

*For bar height table 1800 (10)*

<b>BRC</b>	black melamine with reverse chamfer edge <span style="border: 1px solid black; padding: 0 2px;">A</span>	+\$0
<b>BSE</b>	black melamine with std edge band <span style="border: 1px solid black; padding: 0 2px;">A</span>	+\$0
<b>WRC</b>	white melamine with reverse chamfer edge <span style="border: 1px solid black; padding: 0 2px;">A</span>	+\$0
<b>WSE</b>	white melamine with std edge band <span style="border: 1px solid black; padding: 0 2px;">A</span>	+\$0
<b>OAK</b>	oak <span style="border: 1px solid black; padding: 0 2px;">A</span>	+\$546
<b>WLN</b>	walnut <span style="border: 1px solid black; padding: 0 2px;">A</span>	+\$546
<b>Q23</b>	lino nero 4123 <span style="border: 1px solid black; padding: 0 2px;">A</span>	+\$863
<b>Q32</b>	lino ash 4132 <span style="border: 1px solid black; padding: 0 2px;">A</span>	+\$863
<b>Q55</b>	lino pewter 4155 <span style="border: 1px solid black; padding: 0 2px;">A</span>	+\$863
<b>Q66</b>	lino charcoal 4166 <span style="border: 1px solid black; padding: 0 2px;">A</span>	+\$863
<b>Q72</b>	lino mauve 4172 <span style="border: 1px solid black; padding: 0 2px;">A</span>	+\$863
<b>Q75</b>	lino pebble 4175 <span style="border: 1px solid black; padding: 0 2px;">A</span>	+\$863
<b>Q76</b>	lino mushroom 4176 <span style="border: 1px solid black; padding: 0 2px;">A</span>	+\$863
<b>Q79</b>	lino smokey blue 4179 <span style="border: 1px solid black; padding: 0 2px;">A</span>	+\$863

*For bar height table 2000 (20)*

<b>Q23</b>	lino nero 4123 <span style="border: 1px solid black; padding: 0 2px;">A</span>	+\$1126
<b>Q32</b>	lino ash 4132 <span style="border: 1px solid black; padding: 0 2px;">A</span>	+\$1126
<b>Q55</b>	lino pewter 4155 <span style="border: 1px solid black; padding: 0 2px;">A</span>	+\$1126
<b>Q66</b>	lino charcoal 4166 <span style="border: 1px solid black; padding: 0 2px;">A</span>	+\$1126
<b>Q72</b>	lino mauve 4172 <span style="border: 1px solid black; padding: 0 2px;">A</span>	+\$1126
<b>Q75</b>	lino pebble 4175 <span style="border: 1px solid black; padding: 0 2px;">A</span>	+\$1126
<b>Q76</b>	lino mushroom 4176 <span style="border: 1px solid black; padding: 0 2px;">A</span>	+\$1126
<b>Q79</b>	lino smokey blue 4179 <span style="border: 1px solid black; padding: 0 2px;">A</span>	+\$1126
<b>BRC</b>	black melamine with reverse chamfer edge <span style="border: 1px solid black; padding: 0 2px;">A</span>	+\$0
<b>BSE</b>	black melamine with std edge band <span style="border: 1px solid black; padding: 0 2px;">A</span>	+\$0
<b>WRC</b>	white melamine with reverse chamfer edge <span style="border: 1px solid black; padding: 0 2px;">A</span>	+\$0
<b>WSE</b>	white melamine with std edge band <span style="border: 1px solid black; padding: 0 2px;">A</span>	+\$0
<b>OAK</b>	oak <span style="border: 1px solid black; padding: 0 2px;">A</span>	+\$575
<b>WLN</b>	walnut <span style="border: 1px solid black; padding: 0 2px;">A</span>	+\$575

*For bar height table 2200 (30)*

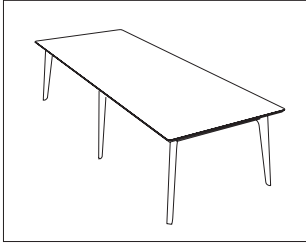
<b>Q23</b>	lino nero 4123 <span style="border: 1px solid black; padding: 0 2px;">A</span>	+\$1062
<b>Q32</b>	lino ash 4132 <span style="border: 1px solid black; padding: 0 2px;">A</span>	+\$1062
<b>Q55</b>	lino pewter 4155 <span style="border: 1px solid black; padding: 0 2px;">A</span>	+\$1062
<b>Q66</b>	lino charcoal 4166 <span style="border: 1px solid black; padding: 0 2px;">A</span>	+\$1062
<b>Q72</b>	lino mauve 4172 <span style="border: 1px solid black; padding: 0 2px;">A</span>	+\$1062
<b>Q75</b>	lino pebble 4175 <span style="border: 1px solid black; padding: 0 2px;">A</span>	+\$1062
<b>Q76</b>	lino mushroom 4176 <span style="border: 1px solid black; padding: 0 2px;">A</span>	+\$1062
<b>Q79</b>	lino smokey blue 4179 <span style="border: 1px solid black; padding: 0 2px;">A</span>	+\$1062
<b>BRC</b>	black melamine with reverse chamfer edge <span style="border: 1px solid black; padding: 0 2px;">A</span>	+\$0
<b>BSE</b>	black melamine with std edge band <span style="border: 1px solid black; padding: 0 2px;">A</span>	+\$0
<b>WRC</b>	white melamine with reverse chamfer edge <span style="border: 1px solid black; padding: 0 2px;">A</span>	+\$0
<b>WSE</b>	white melamine with std edge band <span style="border: 1px solid black; padding: 0 2px;">A</span>	+\$0
<b>OAK</b>	oak <span style="border: 1px solid black; padding: 0 2px;">A</span>	+\$249
<b>WLN</b>	walnut <span style="border: 1px solid black; padding: 0 2px;">A</span>	+\$249

Step 5. Cutout

<b>OCS</b>	no cutout <span style="border: 1px solid black; padding: 0 2px;">A</span>	+\$0
<b>1D3</b>	with central cutout for Byrne Dean Surface Mount 3 port unit (1 <sup>1</sup> / <sub>16</sub> " x 6 <sup>5</sup> / <sub>16</sub> ") <span style="border: 1px solid black; padding: 0 2px;">A</span>	+\$636
<b>1D4</b>	with central cutout for Byrne Dean Surface Mount 4 port unit (1 <sup>1</sup> / <sub>16</sub> " x 7 <sup>1</sup> / <sub>16</sub> ") <span style="border: 1px solid black; padding: 0 2px;">A</span>	+\$636
<b>1D5</b>	with central cutout for Byrne Dean Surface Mount 5 port unit (1 <sup>1</sup> / <sub>16</sub> " x 9 <sup>5</sup> / <sub>16</sub> ") <span style="border: 1px solid black; padding: 0 2px;">A</span>	+\$636
<b>1G3</b>	with central cutout for HM G1000 3 port unit (6 <sup>1</sup> / <sub>2</sub> " x 7 <sup>1</sup> / <sub>4</sub> ") <span style="border: 1px solid black; padding: 0 2px;">A</span>	+\$636
<b>1G5</b>	with central cutout for HM G1000 5 port unit (6 <sup>1</sup> / <sub>2</sub> " x 10 <sup>3</sup> / <sub>4</sub> ") <span style="border: 1px solid black; padding: 0 2px;">A</span>	+\$636

Step 6. Leg Type

<b>WSL</b>	with standard legs <span style="border: 1px solid black; padding: 0 2px;">A</span>	+\$0
<b>WCL</b>	with a cable managed leg <span style="border: 1px solid black; padding: 0 2px;">A</span>	+\$368



**Product Information**

**Description**

This rectangular 6-leg table has solid oak or solid walnut legs that are CNC cut and shaped and hand finished before receiving a coat of matte lacquer. Table understructure is oak veneer or walnut veneer with a matching matte lacquer. Table top is available in a variety of finishes. Table components are delivered disassembled.

**Notes**

Nominal dimensions rounded to the nearest 1/2 inch.

Type	Width	Depth	Height
00	110	47 1/2	29 1/2
10	126	47 1/2	29 1/2
20	110	47 1/2	39
30	126	47 1/2	39

When specifying table with a cutout, order power unit separately:

- For cutout (1D3) option, order power unit NOPWRBYDSMD3xxxx
- For cutout (1D4) option, order power unit NOPWRBYDSMD4xxxx
- For cutout (1D5) option, order power unit NOPWRBYDSMD5xxxx
- For cutout (1G3) option, order power unit NOPWRHMG1000G3xxxx
- For cutout (1G5) option, order power unit NOPWRHMG1000G5xxxx

When specified with cable management (WCL) leg type, a leg is replaced with a version that has an aperture to guide a cable from table top to floor.

**Specification Information**

**Step 1.**

**NODLN6**

**Step 2. Type**

<b>00</b>	6 leg table 2800	<input type="checkbox"/>
<b>20</b>	6 leg bar height table 2800	<input type="checkbox"/>
<b>10</b>	6 leg table 3200	<input type="checkbox"/>
<b>30</b>	6 leg bar height table 3200	<input type="checkbox"/>

**Prices for Steps 1-2.**

<b>NODLN6 00</b>	\$8535
<b>20</b>	\$8950
<b>10</b>	\$9591
<b>30</b>	\$10033

**Step 3. Leg Finish**

<b>OAK</b>	oak	<input type="checkbox"/>	+\$0
<b>WLN</b>	walnut	<input type="checkbox"/>	+\$365

**Step 4. Surface Finish**

*For 6 leg table 2800 (00)*

<b>BRC</b>	black melamine with reverse chamfer edge	<input type="checkbox"/>	+\$0
<b>BSE</b>	black melamine with std edge band	<input type="checkbox"/>	+\$0
<b>WRC</b>	white melamine with reverse chamfer edge	<input type="checkbox"/>	+\$0
<b>WSE</b>	white melamine with std edge band	<input type="checkbox"/>	+\$0
<b>OAK</b>	oak	<input type="checkbox"/>	+\$1167
<b>WLN</b>	walnut	<input type="checkbox"/>	+\$1167
<b>Q23</b>	lino nero 4123	<input type="checkbox"/>	+\$1995
<b>Q32</b>	lino ash 4132	<input type="checkbox"/>	+\$1995
<b>Q55</b>	lino pewter 4155	<input type="checkbox"/>	+\$1995
<b>Q66</b>	lino charcoal 4166	<input type="checkbox"/>	+\$1995
<b>Q72</b>	lino mauve 4172	<input type="checkbox"/>	+\$1995
<b>Q75</b>	lino pebble 4175	<input type="checkbox"/>	+\$1995
<b>Q76</b>	lino mushroom 4176	<input type="checkbox"/>	+\$1995
<b>Q79</b>	lino smokey blue 4179	<input type="checkbox"/>	+\$1995

Dalby Multi-Leg Tables *continued*

*For 6 leg bar height table 2800 (20)*

<b>BRC</b>	black melamine with reverse chamfer edge <span style="border: 1px solid black; padding: 0 2px;">A</span>	+\$0
<b>BSE</b>	black melamine with std edge band <span style="border: 1px solid black; padding: 0 2px;">A</span>	+\$0
<b>WRC</b>	white melamine with reverse chamfer edge <span style="border: 1px solid black; padding: 0 2px;">A</span>	+\$0
<b>WSE</b>	white melamine with std edge band <span style="border: 1px solid black; padding: 0 2px;">A</span>	+\$0
<b>OAK</b>	oak <span style="border: 1px solid black; padding: 0 2px;">A</span>	+\$1153
<b>WLN</b>	walnut <span style="border: 1px solid black; padding: 0 2px;">A</span>	+\$1153
<b>Q23</b>	lino nero 4123 <span style="border: 1px solid black; padding: 0 2px;">A</span>	+\$1984
<b>Q32</b>	lino ash 4132 <span style="border: 1px solid black; padding: 0 2px;">A</span>	+\$1984
<b>Q55</b>	lino pewter 4155 <span style="border: 1px solid black; padding: 0 2px;">A</span>	+\$1984
<b>Q66</b>	lino charcoal 4166 <span style="border: 1px solid black; padding: 0 2px;">A</span>	+\$1984
<b>Q72</b>	lino mauve 4172 <span style="border: 1px solid black; padding: 0 2px;">A</span>	+\$1984
<b>Q75</b>	lino pebble 4175 <span style="border: 1px solid black; padding: 0 2px;">A</span>	+\$1984
<b>Q76</b>	lino mushroom 4176 <span style="border: 1px solid black; padding: 0 2px;">A</span>	+\$1984
<b>Q79</b>	lino smokey blue 4179 <span style="border: 1px solid black; padding: 0 2px;">A</span>	+\$1984

*For 6 leg table 3200 (10)*

<b>Q23</b>	lino nero 4123 <span style="border: 1px solid black; padding: 0 2px;">A</span>	+\$2213
<b>Q32</b>	lino ash 4132 <span style="border: 1px solid black; padding: 0 2px;">A</span>	+\$2213
<b>Q55</b>	lino pewter 4155 <span style="border: 1px solid black; padding: 0 2px;">A</span>	+\$2213
<b>Q66</b>	lino charcoal 4166 <span style="border: 1px solid black; padding: 0 2px;">A</span>	+\$2213
<b>Q72</b>	lino mauve 4172 <span style="border: 1px solid black; padding: 0 2px;">A</span>	+\$2213
<b>Q75</b>	lino pebble 4175 <span style="border: 1px solid black; padding: 0 2px;">A</span>	+\$2213
<b>Q76</b>	lino mushroom 4176 <span style="border: 1px solid black; padding: 0 2px;">A</span>	+\$2213
<b>Q79</b>	lino smokey blue 4179 <span style="border: 1px solid black; padding: 0 2px;">A</span>	+\$2213
<b>BRC</b>	black melamine with reverse chamfer edge <span style="border: 1px solid black; padding: 0 2px;">A</span>	+\$0
<b>BSE</b>	black melamine with std edge band <span style="border: 1px solid black; padding: 0 2px;">A</span>	+\$0
<b>WRC</b>	white melamine with reverse chamfer edge <span style="border: 1px solid black; padding: 0 2px;">A</span>	+\$0
<b>WSE</b>	white melamine with std edge band <span style="border: 1px solid black; padding: 0 2px;">A</span>	+\$0
<b>OAK</b>	oak <span style="border: 1px solid black; padding: 0 2px;">A</span>	+\$1288
<b>WLN</b>	walnut <span style="border: 1px solid black; padding: 0 2px;">A</span>	+\$1288

*For 6 leg bar height table 3200 (30)*

<b>Q23</b>	lino nero 4123 <span style="border: 1px solid black; padding: 0 2px;">A</span>	+\$2226
<b>Q32</b>	lino ash 4132 <span style="border: 1px solid black; padding: 0 2px;">A</span>	+\$2226
<b>Q55</b>	lino pewter 4155 <span style="border: 1px solid black; padding: 0 2px;">A</span>	+\$2226
<b>Q66</b>	lino charcoal 4166 <span style="border: 1px solid black; padding: 0 2px;">A</span>	+\$2226
<b>Q72</b>	lino mauve 4172 <span style="border: 1px solid black; padding: 0 2px;">A</span>	+\$2226
<b>Q75</b>	lino pebble 4175 <span style="border: 1px solid black; padding: 0 2px;">A</span>	+\$2226
<b>Q76</b>	lino mushroom 4176 <span style="border: 1px solid black; padding: 0 2px;">A</span>	+\$2226
<b>Q79</b>	lino smokey blue 4179 <span style="border: 1px solid black; padding: 0 2px;">A</span>	+\$2226
<b>BRC</b>	black melamine with reverse chamfer edge <span style="border: 1px solid black; padding: 0 2px;">A</span>	+\$0
<b>BSE</b>	black melamine with std edge band <span style="border: 1px solid black; padding: 0 2px;">A</span>	+\$0
<b>WRC</b>	white melamine with reverse chamfer edge <span style="border: 1px solid black; padding: 0 2px;">A</span>	+\$0
<b>WSE</b>	white melamine with std edge band <span style="border: 1px solid black; padding: 0 2px;">A</span>	+\$0
<b>OAK</b>	oak <span style="border: 1px solid black; padding: 0 2px;">A</span>	+\$1304
<b>WLN</b>	walnut <span style="border: 1px solid black; padding: 0 2px;">A</span>	+\$1304

Step 5. Cutout

<b>OCS</b>	no cutout <span style="border: 1px solid black; padding: 0 2px;">A</span>	+\$0
<b>1D3</b>	with central cutout for Byrne Dean Surface Mount 3 port unit (1 <sup>15</sup> / <sub>16</sub> " x 6 <sup>5</sup> / <sub>16</sub> ") <span style="border: 1px solid black; padding: 0 2px;">A</span>	+\$636
<b>1D4</b>	with central cutout for Byrne Dean Surface Mount 4 port unit (1 <sup>15</sup> / <sub>16</sub> " x 7 <sup>13</sup> / <sub>16</sub> ") <span style="border: 1px solid black; padding: 0 2px;">A</span>	+\$636
<b>1D5</b>	with central cutout for Byrne Dean Surface Mount 5 port unit (1 <sup>15</sup> / <sub>16</sub> " x 9 <sup>5</sup> / <sub>16</sub> ") <span style="border: 1px solid black; padding: 0 2px;">A</span>	+\$636
<b>1G3</b>	with central cutout for HM G1000 3 port unit (6 <sup>1</sup> / <sub>2</sub> " x 7 <sup>1</sup> / <sub>4</sub> ") <span style="border: 1px solid black; padding: 0 2px;">A</span>	+\$636
<b>1G5</b>	with central cutout for HM G1000 5 port unit (6 <sup>1</sup> / <sub>2</sub> " x 10 <sup>3</sup> / <sub>4</sub> ") <span style="border: 1px solid black; padding: 0 2px;">A</span>	+\$636
<b>2D3</b>	with 2x cutouts for Byrne Dean Surface Mount 3 port unit (1 <sup>15</sup> / <sub>16</sub> " x 6 <sup>5</sup> / <sub>16</sub> ") <span style="border: 1px solid black; padding: 0 2px;">A</span>	+\$1272
<b>2D4</b>	with 2x cutouts for Byrne Dean Surface Mount 4 port unit (1 <sup>15</sup> / <sub>16</sub> " x 7 <sup>13</sup> / <sub>16</sub> ") <span style="border: 1px solid black; padding: 0 2px;">A</span>	+\$1272
<b>2D5</b>	with 2x cutouts for Byrne Dean Surface Mount 5 port unit (1 <sup>15</sup> / <sub>16</sub> " x 9 <sup>5</sup> / <sub>16</sub> ") <span style="border: 1px solid black; padding: 0 2px;">A</span>	+\$1272
<b>2G3</b>	with 2x cutouts for HM G1000 3 port unit (6 <sup>1</sup> / <sub>2</sub> " x 7 <sup>1</sup> / <sub>4</sub> ") <span style="border: 1px solid black; padding: 0 2px;">A</span>	+\$1272
<b>2G5</b>	with 2x cutouts for HM G1000 5 port unit (6 <sup>1</sup> / <sub>2</sub> " x 10 <sup>3</sup> / <sub>4</sub> ") <span style="border: 1px solid black; padding: 0 2px;">A</span>	+\$1272

Step 6. Leg Type

*For 6 leg table 2800 (00) or 6 leg table 3200 (10)*

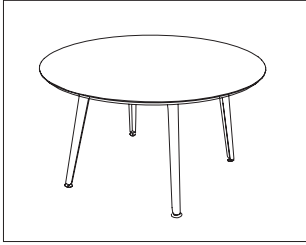
<b>WSL</b>	with standard legs <span style="border: 1px solid black; padding: 0 2px;">A</span>	+\$0
<b>WCL</b>	with a cable managed leg <span style="border: 1px solid black; padding: 0 2px;">A</span>	+\$295

*For 6 leg bar height table 2800 (20) or 6 leg bar height table 3200 (30)*

<b>WSL</b>	with standard legs <span style="border: 1px solid black; padding: 0 2px;">A</span>	+\$0
<b>WCL</b>	with a cable managed leg <span style="border: 1px solid black; padding: 0 2px;">A</span>	+\$368

# Fold Circular Tables

NOFTN



### Product Information

#### Description

This circular table is handmade from laser-cut and machine-bent mild steel. The frame is finished in polyester powder coat. Top is available in a variety of materials and finishes.

#### Notes

Nominal dimensions rounded to the nearest 1/2 inch.

Type	Height	Diameter
00	29 1/2	47 1/2
10	29 1/2	55
20	29 1/2	63

When specifying table with a cutout, order power unit separately:

- For cutout (1D3) option, order power unit NOPWRBYDSMD3xxxx
- For cutout (1D4) option, order power unit NOPWRBYDSMD4xxxx
- For cutout (1D5) option, order power unit NOPWRBYDSMD5xxxx
- For cutout (1G3) option, order power unit NOPWRHMG1000G3xxxx
- For cutout (1G5) option, order power unit NOPWRHMG1000G5xxxx

### Specification Information

#### Step 1.

**NOFTN5**

#### Step 2. Type

<b>00</b>	circular table 1200	<input type="checkbox"/>
<b>10</b>	circular table 1400	<input type="checkbox"/>
<b>20</b>	circular table 1600	<input type="checkbox"/>

#### Prices for Steps 1-2.

<b>NOFTN5 00</b>	\$4047
<b>10</b>	\$4134
<b>20</b>	\$6405

#### Step 3. Leg Finish

<b>R00</b>	black RAL 9005	<input type="checkbox"/>	+\$0
<b>R02</b>	stone grey RAL 7030	<input type="checkbox"/>	+\$596
<b>R03</b>	silver - RAL 9006	<input type="checkbox"/>	+\$596
<b>R26</b>	RAL 3020 red	<input type="checkbox"/>	+\$596
<b>R08</b>	traffic orange RAL 2009	<input type="checkbox"/>	+\$596
<b>R13</b>	pastel blue RAL 5024	<input type="checkbox"/>	+\$596
<b>R14</b>	signal white RAL9003	<input type="checkbox"/>	+\$0
<b>R23</b>	black grey RAL 7021	<input type="checkbox"/>	+\$596
<b>R24</b>	leaf green RAL 6002	<input type="checkbox"/>	+\$596
<b>R25</b>	pale green RAL 6021	<input type="checkbox"/>	+\$596
<b>R28</b>	light pink RAL 3015	<input type="checkbox"/>	+\$596
<b>R29</b>	dark blue RAL 5001	<input type="checkbox"/>	+\$596
<b>R30</b>	oyster RAL 1013	<input type="checkbox"/>	+\$596
<b>R38</b>	broom yellow RAL 1032	<input type="checkbox"/>	+\$596
<b>R39</b>	moss green RAL 6005	<input type="checkbox"/>	+\$596
<b>R40</b>	steel blue RAL 5011	<input type="checkbox"/>	+\$596

# Fold Circular Tables *continued*

## Step 4. Surface Finish

### For circular table 1200 (00)

<b>BRC</b>	black melamine with reverse chamfer edge <input type="checkbox"/>	+\$0
<b>BSE</b>	black melamine with std edge band <input type="checkbox"/>	+\$0
<b>WRC</b>	white melamine with reverse chamfer edge <input type="checkbox"/>	+\$0
<b>WSE</b>	white melamine with std edge band <input type="checkbox"/>	+\$0
<b>OAK</b>	oak <input type="checkbox"/>	+\$623
<b>WLN</b>	walnut <input type="checkbox"/>	+\$623
<b>Q23</b>	lino nero 4123 <input type="checkbox"/>	+\$673
<b>Q32</b>	lino ash 4132 <input type="checkbox"/>	+\$673
<b>Q55</b>	lino pewter 4155 <input type="checkbox"/>	+\$673
<b>Q66</b>	lino charcoal 4166 <input type="checkbox"/>	+\$673
<b>Q72</b>	lino mauve 4172 <input type="checkbox"/>	+\$673
<b>Q75</b>	lino pebble 4175 <input type="checkbox"/>	+\$673
<b>Q76</b>	lino mushroom 4176 <input type="checkbox"/>	+\$673
<b>Q79</b>	lino smokey blue 4179 <input type="checkbox"/>	+\$673

### For circular table 1400 (10)

<b>BRC</b>	black melamine with reverse chamfer edge <input type="checkbox"/>	+\$0
<b>BSE</b>	black melamine with std edge band <input type="checkbox"/>	+\$0
<b>WRC</b>	white melamine with reverse chamfer edge <input type="checkbox"/>	+\$0
<b>WSE</b>	white melamine with std edge band <input type="checkbox"/>	+\$0
<b>OAK</b>	oak <input type="checkbox"/>	+\$601
<b>WLN</b>	walnut <input type="checkbox"/>	+\$601
<b>Q23</b>	lino nero 4123 <input type="checkbox"/>	+\$1328
<b>Q32</b>	lino ash 4132 <input type="checkbox"/>	+\$1328
<b>Q55</b>	lino pewter 4155 <input type="checkbox"/>	+\$1328
<b>Q66</b>	lino charcoal 4166 <input type="checkbox"/>	+\$1328
<b>Q72</b>	lino mauve 4172 <input type="checkbox"/>	+\$1328
<b>Q75</b>	lino pebble 4175 <input type="checkbox"/>	+\$1328
<b>Q76</b>	lino mushroom 4176 <input type="checkbox"/>	+\$1328
<b>Q79</b>	lino smokey blue 4179 <input type="checkbox"/>	+\$1328

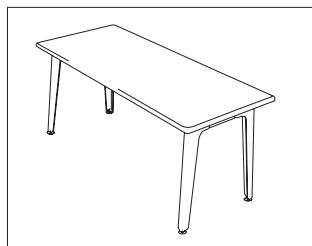
### For circular table 1600 (20)

<b>Q23</b>	lino nero 4123 <input type="checkbox"/>	+\$208
<b>Q32</b>	lino ash 4132 <input type="checkbox"/>	+\$208
<b>Q55</b>	lino pewter 4155 <input type="checkbox"/>	+\$208
<b>Q66</b>	lino charcoal 4166 <input type="checkbox"/>	+\$208
<b>Q72</b>	lino mauve 4172 <input type="checkbox"/>	+\$208
<b>Q75</b>	lino pebble 4175 <input type="checkbox"/>	+\$208
<b>Q76</b>	lino mushroom 4176 <input type="checkbox"/>	+\$208
<b>Q79</b>	lino smokey blue 4179 <input type="checkbox"/>	+\$208
<b>BRC</b>	black melamine with reverse chamfer edge <input type="checkbox"/>	+\$0
<b>BSE</b>	black melamine with std edge band <input type="checkbox"/>	+\$0
<b>WRC</b>	white melamine with reverse chamfer edge <input type="checkbox"/>	+\$0
<b>WSE</b>	white melamine with std edge band <input type="checkbox"/>	+\$0
<b>OAK</b>	oak <input type="checkbox"/>	+\$186
<b>WLN</b>	walnut <input type="checkbox"/>	+\$186

## Step 5. Cutout

<b>OCS</b>	no cutout <input type="checkbox"/>	+\$0
<b>1D3</b>	with central cutout for Byrne Dean Surface Mount 3 port unit (1 <sup>15</sup> / <sub>16</sub> " x 6 <sup>5</sup> / <sub>16</sub> " <input type="checkbox"/>	+\$636
<b>1D4</b>	with central cutout for Byrne Dean Surface Mount 4 port unit (1 <sup>15</sup> / <sub>16</sub> " x 7 <sup>13</sup> / <sub>16</sub> " <input type="checkbox"/>	+\$636
<b>1D5</b>	with central cutout for Byrne Dean Surface Mount 5 port unit (1 <sup>15</sup> / <sub>16</sub> " x 9 <sup>5</sup> / <sub>16</sub> " <input type="checkbox"/>	+\$636
<b>1G3</b>	with central cutout for HM G1000 3 port unit (6 <sup>1</sup> / <sub>2</sub> " x 7 <sup>1</sup> / <sub>4</sub> " <input type="checkbox"/>	+\$636
<b>1G5</b>	with central cutout for HM G1000 5 port unit (6 <sup>1</sup> / <sub>2</sub> " x 10 <sup>3</sup> / <sub>4</sub> " <input type="checkbox"/>	+\$636





**Product Information**

**Description**

This rectangular table is handmade from laser-cut and machine-bent mild steel. The frame is finished in polyester powder coat. Top is available in a variety of materials and finishes.

**Notes**

Nominal dimensions rounded to the nearest 1/2 inch.

Type	Width	Depth	Height
00	63	31 1/2	29 1/2
10	71	31 1/2	29 1/2
20	79	35 1/2	29 1/2
30	87	35 1/2	29 1/2
40	94 1/2	39	29 1/2
50	94 1/2	47 1/2	29 1/2

When specifying table with a cutout, order power unit separately:

- For cutout (1D3) option, order power unit NOPWRBYDSMD3xxxx
- For cutout (1D4) option, order power unit NOPWRBYDSMD4xxxx
- For cutout (1D5) option, order power unit NOPWRBYDSMD5xxxx
- For cutout (1G3) option, order power unit NOPWRHMG1000G3xxxx
- For cutout (1G5) option, order power unit NOPWRHMG1000G5xxxx

**Specification Information**

**Step 1.**

**NOFTN6**

**Step 2. Type**

<b>00</b>	rectangular table 1600 x 800	<input type="checkbox"/>
<b>10</b>	rectangular table 1800 x 800	<input type="checkbox"/>
<b>20</b>	rectangular table 2000 x 900	<input type="checkbox"/>
<b>30</b>	rectangular table 2200 x 900	<input type="checkbox"/>
<b>40</b>	rectangular table 2400 x 1000	<input type="checkbox"/>
<b>50</b>	rectangular table 2400 x 1200	<input type="checkbox"/>

**Prices for Steps 1-2.**

<b>NOFTN6 00</b>	\$4005
<b>10</b>	\$4124
<b>20</b>	\$4219
<b>30</b>	\$4659
<b>40</b>	\$4700
<b>50</b>	\$4759

**Step 3. Leg Finish**

<b>R00</b>	black RAL 9005	<input type="checkbox"/>	+\$0
<b>R14</b>	signal white RAL9003	<input type="checkbox"/>	+\$0
<b>R23</b>	black grey RAL 7021	<input type="checkbox"/>	+\$596
<b>R24</b>	leaf green RAL 6002	<input type="checkbox"/>	+\$596
<b>R25</b>	pale green RAL 6021	<input type="checkbox"/>	+\$596
<b>R26</b>	RAL 3020 red	<input type="checkbox"/>	+\$596
<b>R28</b>	light pink RAL 3015	<input type="checkbox"/>	+\$596
<b>R29</b>	dark blue RAL 5001	<input type="checkbox"/>	+\$596
<b>R02</b>	stone grey RAL 7030	<input type="checkbox"/>	+\$596
<b>R03</b>	silver - RAL 9006	<input type="checkbox"/>	+\$596
<b>R08</b>	traffic orange RAL 2009	<input type="checkbox"/>	+\$596
<b>R13</b>	pastel blue RAL 5024	<input type="checkbox"/>	+\$596
<b>R30</b>	oyster RAL 1013	<input type="checkbox"/>	+\$596
<b>R38</b>	broom yellow RAL 1032	<input type="checkbox"/>	+\$596
<b>R39</b>	moss green RAL 6005	<input type="checkbox"/>	+\$596
<b>R40</b>	steel blue RAL 5011	<input type="checkbox"/>	+\$596

# Fold Rectangular Tables *continued*

## Step 4. Surface Finish

### For rectangular table 1600 x 800 (00)

<b>BRC</b>	black melamine with reverse chamfer edge <input type="checkbox"/>	+\$0
<b>BSE</b>	black melamine with std edge band <input type="checkbox"/>	+\$0
<b>WRC</b>	white melamine with reverse chamfer edge <input type="checkbox"/>	+\$0
<b>WSE</b>	white melamine with std edge band <input type="checkbox"/>	+\$0
<b>OAK</b>	oak <input type="checkbox"/>	+\$610
<b>WLN</b>	walnut <input type="checkbox"/>	+\$610
<b>Q23</b>	lino nero 4123 <input type="checkbox"/>	+\$70
<b>Q32</b>	lino ash 4132 <input type="checkbox"/>	+\$70
<b>Q55</b>	lino pewter 4155 <input type="checkbox"/>	+\$70
<b>Q66</b>	lino charcoal 4166 <input type="checkbox"/>	+\$70
<b>Q72</b>	lino mauve 4172 <input type="checkbox"/>	+\$70
<b>Q75</b>	lino pebble 4175 <input type="checkbox"/>	+\$70
<b>Q76</b>	lino mushroom 4176 <input type="checkbox"/>	+\$70
<b>Q79</b>	lino smokey blue 4179 <input type="checkbox"/>	+\$70

### For rectangular table 1800 x 800 (10)

<b>BRC</b>	black melamine with reverse chamfer edge <input type="checkbox"/>	+\$0
<b>BSE</b>	black melamine with std edge band <input type="checkbox"/>	+\$0
<b>WRC</b>	white melamine with reverse chamfer edge <input type="checkbox"/>	+\$0
<b>WSE</b>	white melamine with std edge band <input type="checkbox"/>	+\$0
<b>OAK</b>	oak <input type="checkbox"/>	+\$599
<b>WLN</b>	walnut <input type="checkbox"/>	+\$599
<b>Q23</b>	lino nero 4123 <input type="checkbox"/>	+\$1488
<b>Q32</b>	lino ash 4132 <input type="checkbox"/>	+\$1488
<b>Q55</b>	lino pewter 4155 <input type="checkbox"/>	+\$1488
<b>Q66</b>	lino charcoal 4166 <input type="checkbox"/>	+\$1488
<b>Q72</b>	lino mauve 4172 <input type="checkbox"/>	+\$1488
<b>Q75</b>	lino pebble 4175 <input type="checkbox"/>	+\$1488
<b>Q76</b>	lino mushroom 4176 <input type="checkbox"/>	+\$1488
<b>Q79</b>	lino smokey blue 4179 <input type="checkbox"/>	+\$1488

### For rectangular table 2000 x 900 (20)

<b>Q23</b>	lino nero 4123 <input type="checkbox"/>	+\$1201
<b>Q32</b>	lino ash 4132 <input type="checkbox"/>	+\$1201
<b>Q55</b>	lino pewter 4155 <input type="checkbox"/>	+\$1201
<b>Q66</b>	lino charcoal 4166 <input type="checkbox"/>	+\$1201
<b>Q72</b>	lino mauve 4172 <input type="checkbox"/>	+\$1201
<b>Q75</b>	lino pebble 4175 <input type="checkbox"/>	+\$1201
<b>Q76</b>	lino mushroom 4176 <input type="checkbox"/>	+\$1201
<b>Q79</b>	lino smokey blue 4179 <input type="checkbox"/>	+\$1201
<b>BRC</b>	black melamine with reverse chamfer edge <input type="checkbox"/>	+\$0
<b>BSE</b>	black melamine with std edge band <input type="checkbox"/>	+\$0
<b>WRC</b>	white melamine with reverse chamfer edge <input type="checkbox"/>	+\$0
<b>WSE</b>	white melamine with std edge band <input type="checkbox"/>	+\$0
<b>OAK</b>	oak <input type="checkbox"/>	+\$596
<b>WLN</b>	walnut <input type="checkbox"/>	+\$596

### For rectangular table 2200 x 900 (30)

<b>Q23</b>	lino nero 4123 <input type="checkbox"/>	+\$1071
<b>Q32</b>	lino ash 4132 <input type="checkbox"/>	+\$1071
<b>Q55</b>	lino pewter 4155 <input type="checkbox"/>	+\$1071
<b>Q66</b>	lino charcoal 4166 <input type="checkbox"/>	+\$1071
<b>Q72</b>	lino mauve 4172 <input type="checkbox"/>	+\$1071
<b>Q75</b>	lino pebble 4175 <input type="checkbox"/>	+\$1071
<b>Q76</b>	lino mushroom 4176 <input type="checkbox"/>	+\$1071
<b>Q79</b>	lino smokey blue 4179 <input type="checkbox"/>	+\$1071
<b>BRC</b>	black melamine with reverse chamfer edge <input type="checkbox"/>	+\$0
<b>BSE</b>	black melamine with std edge band <input type="checkbox"/>	+\$0
<b>WRC</b>	white melamine with reverse chamfer edge <input type="checkbox"/>	+\$0
<b>WSE</b>	white melamine with std edge band <input type="checkbox"/>	+\$0
<b>OAK</b>	oak <input type="checkbox"/>	+\$248
<b>WLN</b>	walnut <input type="checkbox"/>	+\$248

### For rectangular table 2400 x 1000 (40)

<b>Q23</b>	lino nero 4123 <input type="checkbox"/>	+\$1076
<b>Q32</b>	lino ash 4132 <input type="checkbox"/>	+\$1076
<b>Q55</b>	lino pewter 4155 <input type="checkbox"/>	+\$1076
<b>Q66</b>	lino charcoal 4166 <input type="checkbox"/>	+\$1076
<b>Q72</b>	lino mauve 4172 <input type="checkbox"/>	+\$1076
<b>Q75</b>	lino pebble 4175 <input type="checkbox"/>	+\$1076
<b>Q76</b>	lino mushroom 4176 <input type="checkbox"/>	+\$1076
<b>Q79</b>	lino smokey blue 4179 <input type="checkbox"/>	+\$1076
<b>BRC</b>	black melamine with reverse chamfer edge <input type="checkbox"/>	+\$0
<b>BSE</b>	black melamine with std edge band <input type="checkbox"/>	+\$0
<b>WRC</b>	white melamine with reverse chamfer edge <input type="checkbox"/>	+\$0
<b>WSE</b>	white melamine with std edge band <input type="checkbox"/>	+\$0
<b>OAK</b>	oak <input type="checkbox"/>	+\$254
<b>WLN</b>	walnut <input type="checkbox"/>	+\$254

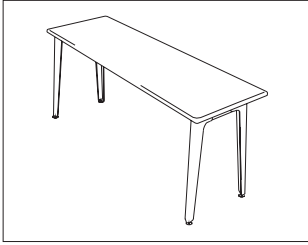
## Fold Rectangular Tables *continued*

### For rectangular table 2400 x 1200 (50)

<b>Q23</b>	lino nero 4123 <input type="checkbox"/>	+\$1076
<b>Q32</b>	lino ash 4132 <input type="checkbox"/>	+\$1076
<b>Q55</b>	lino pewter 4155 <input type="checkbox"/>	+\$1076
<b>Q66</b>	lino charcoal 4166 <input type="checkbox"/>	+\$1076
<b>Q72</b>	lino mauve 4172 <input type="checkbox"/>	+\$1076
<b>Q75</b>	lino pebble 4175 <input type="checkbox"/>	+\$1076
<b>Q76</b>	lino mushroom 4176 <input type="checkbox"/>	+\$1076
<b>Q79</b>	lino smokey blue 4179 <input type="checkbox"/>	+\$1076
<b>BRC</b>	black melamine with reverse chamfer edge <input type="checkbox"/>	+\$0
<b>BSE</b>	black melamine with std edge band <input type="checkbox"/>	+\$0
<b>WRC</b>	white melamine with reverse chamfer edge <input type="checkbox"/>	+\$0
<b>WSE</b>	white melamine with std edge band <input type="checkbox"/>	+\$0
<b>OAK</b>	oak <input type="checkbox"/>	+\$254
<b>WLN</b>	walnut <input type="checkbox"/>	+\$254

### Step 5. Cutout

<b>OCS</b>	no cutout <input type="checkbox"/>	+\$0
<b>1D3</b>	with central cutout for Byrne Dean Surface Mount 3 port unit (1 <sup>15</sup> / <sub>16</sub> " x 6 <sup>5</sup> / <sub>16</sub> " ) <input type="checkbox"/>	+\$636
<b>1D4</b>	with central cutout for Byrne Dean Surface Mount 4 port unit (1 <sup>15</sup> / <sub>16</sub> " x 7 <sup>13</sup> / <sub>16</sub> " ) <input type="checkbox"/>	+\$636
<b>1D5</b>	with central cutout for Byrne Dean Surface Mount 5 port unit (1 <sup>15</sup> / <sub>16</sub> " x 9 <sup>5</sup> / <sub>16</sub> " ) <input type="checkbox"/>	+\$636
<b>1G3</b>	with central cutout for HM G1000 3 port unit (6 <sup>1</sup> / <sub>2</sub> " x 7 <sup>1</sup> / <sub>4</sub> " ) <input type="checkbox"/>	+\$636
<b>1G5</b>	with central cutout for HM G1000 5 port unit (6 <sup>1</sup> / <sub>2</sub> " x 10 <sup>3</sup> / <sub>4</sub> " ) <input type="checkbox"/>	+\$636



NaughtOne® Meeting Tables

**Product Information**

**Description**

This bar height table is handmade from laser-cut and machine-bent mild steel. The frame is finished in polyester powder coat. Top is available in a variety of materials and finishes.

**Notes**

Nominal dimensions rounded to the nearest 1/2 inch.

Type	Width	Depth	Height
00	63	31 1/2	39
10	71	31 1/2	39
20	79	35 1/2	39
30	87	35 1/2	39

When specifying table with a cutout, order power unit separately:

- For cutout (1D3) option, order power unit NOPWRBYDSMD3xxxx
- For cutout (1D4) option, order power unit NOPWRBYDSMD4xxxx
- For cutout (1D5) option, order power unit NOPWRBYDSMD5xxxx
- For cutout (1G3) option, order power unit NOPWRHMG1000G3xxxx
- For cutout (1G5) option, order power unit NOPWRHMG1000G5xxxx

**Specification Information**

**Step 1.**

**NOFTN7**

**Step 2. Type**

- 00** bar height table 1600
- 10** bar height table 1800
- 20** bar height table 2000
- 30** bar height table 2200

**Prices for Steps 1-2.**

<b>NOFTN7 00</b>	\$5106
<b>10</b>	\$5179
<b>20</b>	\$5296
<b>30</b>	\$5731

**Step 3. Leg Finish**

<b>R00</b> black RAL 9005 <input type="checkbox"/>	+\$0
<b>R14</b> signal white RAL9003 <input type="checkbox"/>	+\$0
<b>R23</b> black grey RAL 7021 <input type="checkbox"/>	+\$596
<b>R24</b> leaf green RAL 6002 <input type="checkbox"/>	+\$596
<b>R25</b> pale green RAL 6021 <input type="checkbox"/>	+\$596
<b>R26</b> RAL 3020 red <input type="checkbox"/>	+\$596
<b>R28</b> light pink RAL 3015 <input type="checkbox"/>	+\$596
<b>R29</b> dark blue RAL 5001 <input type="checkbox"/>	+\$596
<b>R02</b> stone grey RAL 7030 <input type="checkbox"/>	+\$596
<b>R03</b> silver - RAL 9006 <input type="checkbox"/>	+\$596
<b>R08</b> traffic orange RAL 2009 <input type="checkbox"/>	+\$596
<b>R13</b> pastel blue RAL 5024 <input type="checkbox"/>	+\$596
<b>R30</b> oyster RAL 1013 <input type="checkbox"/>	+\$596
<b>R38</b> broom yellow RAL 1032 <input type="checkbox"/>	+\$596
<b>R39</b> moss green RAL 6005 <input type="checkbox"/>	+\$596
<b>R40</b> steel blue RAL 5011 <input type="checkbox"/>	+\$596

Fold Bar Height Tables *continued*

Step 4. Surface Finish

*For bar height table 1600 (00)*

<b>BRC</b>	black melamine with reverse chamfer edge <input type="checkbox"/>	+\$0
<b>BSE</b>	black melamine with std edge band <input type="checkbox"/>	+\$0
<b>WRC</b>	white melamine with reverse chamfer edge <input type="checkbox"/>	+\$0
<b>WSE</b>	white melamine with std edge band <input type="checkbox"/>	+\$0
<b>OAK</b>	oak <input type="checkbox"/>	+\$606
<b>WLN</b>	walnut <input type="checkbox"/>	+\$606
<b>Q23</b>	lino nero 4123 <input type="checkbox"/>	+\$968
<b>Q32</b>	lino ash 4132 <input type="checkbox"/>	+\$968
<b>Q55</b>	lino pewter 4155 <input type="checkbox"/>	+\$968
<b>Q66</b>	lino charcoal 4166 <input type="checkbox"/>	+\$968
<b>Q72</b>	lino mauve 4172 <input type="checkbox"/>	+\$968
<b>Q75</b>	lino pebble 4175 <input type="checkbox"/>	+\$968
<b>Q76</b>	lino mushroom 4176 <input type="checkbox"/>	+\$968
<b>Q79</b>	lino smokey blue 4179 <input type="checkbox"/>	+\$968

*For bar height table 1800 (10)*

<b>BRC</b>	black melamine with reverse chamfer edge <input type="checkbox"/>	+\$0
<b>BSE</b>	black melamine with std edge band <input type="checkbox"/>	+\$0
<b>WRC</b>	white melamine with reverse chamfer edge <input type="checkbox"/>	+\$0
<b>WSE</b>	white melamine with std edge band <input type="checkbox"/>	+\$0
<b>OAK</b>	oak <input type="checkbox"/>	+\$508
<b>WLN</b>	walnut <input type="checkbox"/>	+\$508
<b>Q23</b>	lino nero 4123 <input type="checkbox"/>	+\$968
<b>Q32</b>	lino ash 4132 <input type="checkbox"/>	+\$968
<b>Q55</b>	lino pewter 4155 <input type="checkbox"/>	+\$968
<b>Q66</b>	lino charcoal 4166 <input type="checkbox"/>	+\$968
<b>Q72</b>	lino mauve 4172 <input type="checkbox"/>	+\$968
<b>Q75</b>	lino pebble 4175 <input type="checkbox"/>	+\$968
<b>Q76</b>	lino mushroom 4176 <input type="checkbox"/>	+\$968
<b>Q79</b>	lino smokey blue 4179 <input type="checkbox"/>	+\$968

*For bar height table 2000 (20)*

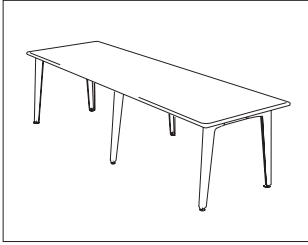
<b>Q23</b>	lino nero 4123 <input type="checkbox"/>	+\$1186
<b>Q32</b>	lino ash 4132 <input type="checkbox"/>	+\$1186
<b>Q55</b>	lino pewter 4155 <input type="checkbox"/>	+\$1186
<b>Q66</b>	lino charcoal 4166 <input type="checkbox"/>	+\$1186
<b>Q72</b>	lino mauve 4172 <input type="checkbox"/>	+\$1186
<b>Q75</b>	lino pebble 4175 <input type="checkbox"/>	+\$1186
<b>Q76</b>	lino mushroom 4176 <input type="checkbox"/>	+\$1186
<b>Q79</b>	lino smokey blue 4179 <input type="checkbox"/>	+\$1186
<b>BRC</b>	black melamine with reverse chamfer edge <input type="checkbox"/>	+\$0
<b>BSE</b>	black melamine with std edge band <input type="checkbox"/>	+\$0
<b>WRC</b>	white melamine with reverse chamfer edge <input type="checkbox"/>	+\$0
<b>WSE</b>	white melamine with std edge band <input type="checkbox"/>	+\$0
<b>OAK</b>	oak <input type="checkbox"/>	+\$596
<b>WLN</b>	walnut <input type="checkbox"/>	+\$596

*For bar height table 2200 (30)*

<b>Q23</b>	lino nero 4123 <input type="checkbox"/>	+\$1072
<b>Q32</b>	lino ash 4132 <input type="checkbox"/>	+\$1072
<b>Q55</b>	lino pewter 4155 <input type="checkbox"/>	+\$1072
<b>Q66</b>	lino charcoal 4166 <input type="checkbox"/>	+\$1072
<b>Q72</b>	lino mauve 4172 <input type="checkbox"/>	+\$1072
<b>Q75</b>	lino pebble 4175 <input type="checkbox"/>	+\$1072
<b>Q76</b>	lino mushroom 4176 <input type="checkbox"/>	+\$1072
<b>Q79</b>	lino smokey blue 4179 <input type="checkbox"/>	+\$1072
<b>BRC</b>	black melamine with reverse chamfer edge <input type="checkbox"/>	+\$0
<b>BSE</b>	black melamine with std edge band <input type="checkbox"/>	+\$0
<b>WRC</b>	white melamine with reverse chamfer edge <input type="checkbox"/>	+\$0
<b>WSE</b>	white melamine with std edge band <input type="checkbox"/>	+\$0
<b>OAK</b>	oak <input type="checkbox"/>	+\$254
<b>WLN</b>	walnut <input type="checkbox"/>	+\$254

Step 5. Cutout

<b>OCS</b>	no cutout <input type="checkbox"/>	+\$0
<b>1D3</b>	with central cutout for Byrne Dean Surface Mount 3 port unit (1 <sup>5</sup> / <sub>16</sub> " x 6 <sup>5</sup> / <sub>16</sub> ") <input type="checkbox"/>	+\$636
<b>1D4</b>	with central cutout for Byrne Dean Surface Mount 4 port unit (1 <sup>5</sup> / <sub>16</sub> " x 7 <sup>3</sup> / <sub>16</sub> ") <input type="checkbox"/>	+\$636
<b>1D5</b>	with central cutout for Byrne Dean Surface Mount 5 port unit (1 <sup>5</sup> / <sub>16</sub> " x 9 <sup>5</sup> / <sub>16</sub> ") <input type="checkbox"/>	+\$636
<b>1G3</b>	with central cutout for HM G1000 3 port unit (6 <sup>1</sup> / <sub>2</sub> " x 7 <sup>1</sup> / <sub>4</sub> ") <input type="checkbox"/>	+\$636
<b>1G5</b>	with central cutout for HM G1000 5 port unit (6 <sup>1</sup> / <sub>2</sub> " x 10 <sup>3</sup> / <sub>4</sub> ") <input type="checkbox"/>	+\$636



NaughtOne® Meeting Tables

**Product Information**

**Description**

This 6-leg table is handmade from laser-cut and machine-bent mild steel. The frame is finished in polyester powder coat. Top is available in a variety of materials and finishes.

**Notes**

Nominal dimensions rounded to the nearest 1/2 inch.

Type	Width	Depth	Height
00	110	47 1/2	29 1/2
10	126	47 1/2	29 1/2
20	110	47 1/2	39
30	126	47 1/2	39

When specifying table with a cutout, order power unit separately:

- For cutout (1D3, 2D3) options, order power unit(s) NOPWRBYDSMD3xxxx
- For cutout (1D4, 2D4) options, order power unit(s) NOPWRBYDSMD4xxxx
- For cutout (1D5, 2D5) options, order power unit(s) NOPWRBYDSMD5xxxx
- For cutout (1G3, 2G3) options, order power unit(s) NOPWRHMG1000G3xxxx
- For cutout (1G5, 2G5) options, order power unit(s) NOPWRHMG1000G5xxxx

**Specification Information**

**Step 1.**

**NOFTN8**

**Step 2. Type**

- 00** 6 leg table 2800
- 10** 6 leg table 3200
- 20** 6 leg bar height table 2800
- 30** 6 leg bar height table 3200

**Prices for Steps 1-2.**

<b>NOFTN8 00</b>	\$8785
<b>10</b>	\$9084
<b>20</b>	\$10058
<b>30</b>	\$10363

**Step 3. Leg Finish**

<b>R00</b> black RAL 9005 <input type="checkbox"/>	+\$0
<b>R14</b> signal white RAL9003 <input type="checkbox"/>	+\$0
<b>R23</b> black grey RAL 7021 <input type="checkbox"/>	+\$846
<b>R24</b> leaf green RAL 6002 <input type="checkbox"/>	+\$846
<b>R25</b> pale green RAL 6021 <input type="checkbox"/>	+\$846
<b>R26</b> RAL 3020 red <input type="checkbox"/>	+\$846
<b>R28</b> light pink RAL 3015 <input type="checkbox"/>	+\$846
<b>R29</b> dark blue RAL 5001 <input type="checkbox"/>	+\$846
<b>R02</b> stone grey RAL 7030 <input type="checkbox"/>	+\$846
<b>R03</b> silver - RAL 9006 <input type="checkbox"/>	+\$846
<b>R08</b> traffic orange RAL 2009 <input type="checkbox"/>	+\$846
<b>R13</b> pastel blue RAL 5024 <input type="checkbox"/>	+\$846
<b>R30</b> oyster RAL 1013 <input type="checkbox"/>	+\$596
<b>R38</b> broom yellow RAL 1032 <input type="checkbox"/>	+\$846
<b>R39</b> moss green RAL 6005 <input type="checkbox"/>	+\$846
<b>R40</b> steel blue RAL 5011 <input type="checkbox"/>	+\$846

# Fold Multi-Leg Tables *continued*

## Step 4. Surface Finish

### For 6 leg table 2800 (00)

<b>BRC</b>	black melamine with reverse chamfer edge	A	+\$0
<b>BSE</b>	black melamine with std edge band	A	+\$0
<b>WRC</b>	white melamine with reverse chamfer edge	A	+\$0
<b>WSE</b>	white melamine with std edge band	A	+\$0
<b>OAK</b>	oak	A	+\$1265
<b>WLN</b>	walnut	A	+\$1265
<b>Q23</b>	lino nero 4123	A	+\$3184
<b>Q32</b>	lino ash 4132	A	+\$3184
<b>Q55</b>	lino pewter 4155	A	+\$3184
<b>Q66</b>	lino charcoal 4166	A	+\$3184
<b>Q72</b>	lino mauve 4172	A	+\$3184
<b>Q75</b>	lino pebble 4175	A	+\$3184
<b>Q76</b>	lino mushroom 4176	A	+\$3184
<b>Q79</b>	lino smokey blue 4179	A	+\$3184

### For 6 leg table 3200 (10)

<b>BRC</b>	black melamine with reverse chamfer edge	A	+\$0
<b>BSE</b>	black melamine with std edge band	A	+\$0
<b>WRC</b>	white melamine with reverse chamfer edge	A	+\$0
<b>WSE</b>	white melamine with std edge band	A	+\$0
<b>OAK</b>	oak	A	+\$1280
<b>WLN</b>	walnut	A	+\$1280
<b>Q23</b>	lino nero 4123	A	+\$3184
<b>Q32</b>	lino ash 4132	A	+\$3184
<b>Q55</b>	lino pewter 4155	A	+\$3184
<b>Q66</b>	lino charcoal 4166	A	+\$3184
<b>Q72</b>	lino mauve 4172	A	+\$3184
<b>Q75</b>	lino pebble 4175	A	+\$3184
<b>Q76</b>	lino mushroom 4176	A	+\$3184
<b>Q79</b>	lino smokey blue 4179	A	+\$3184

### For 6 leg bar height table 2800 (20)

<b>Q23</b>	lino nero 4123	A	+\$3184
<b>Q32</b>	lino ash 4132	A	+\$3184
<b>Q55</b>	lino pewter 4155	A	+\$3184
<b>Q66</b>	lino charcoal 4166	A	+\$3184
<b>Q72</b>	lino mauve 4172	A	+\$3184
<b>Q75</b>	lino pebble 4175	A	+\$3184
<b>Q76</b>	lino mushroom 4176	A	+\$3184
<b>Q79</b>	lino smokey blue 4179	A	+\$3184
<b>BRC</b>	black melamine with reverse chamfer edge	A	+\$0
<b>BSE</b>	black melamine with std edge band	A	+\$0
<b>WRC</b>	white melamine with reverse chamfer edge	A	+\$0
<b>WSE</b>	white melamine with std edge band	A	+\$0
<b>OAK</b>	oak	A	+\$1280
<b>WLN</b>	walnut	A	+\$1280

### For 6 leg bar height table 3200 (30)

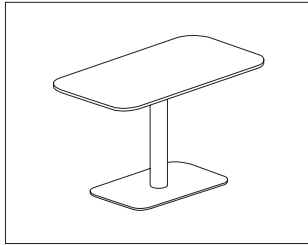
<b>Q23</b>	lino nero 4123	A	+\$3179
<b>Q32</b>	lino ash 4132	A	+\$3179
<b>Q55</b>	lino pewter 4155	A	+\$3179
<b>Q66</b>	lino charcoal 4166	A	+\$3179
<b>Q72</b>	lino mauve 4172	A	+\$3179
<b>Q75</b>	lino pebble 4175	A	+\$3179
<b>Q76</b>	lino mushroom 4176	A	+\$3179
<b>Q79</b>	lino smokey blue 4179	A	+\$3179
<b>BRC</b>	black melamine with reverse chamfer edge	A	+\$0
<b>BSE</b>	black melamine with std edge band	A	+\$0
<b>WRC</b>	white melamine with reverse chamfer edge	A	+\$0
<b>WSE</b>	white melamine with std edge band	A	+\$0
<b>OAK</b>	oak	A	+\$1276
<b>WLN</b>	walnut	A	+\$1276

Fold Multi-Leg Tables *continued*

NaughtOne® Meeting Tables

Step 5. Cutout		
<b>OCS</b>	no cutout <input type="checkbox"/> A	+\$0
<b>1D3</b>	with central cutout for Byrne Dean Surface Mount 3 port unit (1 <sup>5</sup> / <sub>16</sub> " x 6 <sup>5</sup> / <sub>16</sub> ") <input type="checkbox"/> A	+\$636
<b>1D4</b>	with central cutout for Byrne Dean Surface Mount 4 port unit (1 <sup>5</sup> / <sub>16</sub> " x 7 <sup>3</sup> / <sub>16</sub> ") <input type="checkbox"/> A	+\$636
<b>1D5</b>	with central cutout for Byrne Dean Surface Mount 5 port unit (1 <sup>5</sup> / <sub>16</sub> " x 9 <sup>5</sup> / <sub>16</sub> ") <input type="checkbox"/> A	+\$636
<b>1G3</b>	with central cutout for HM G1000 3 port unit (6 <sup>1</sup> / <sub>2</sub> " x 7 <sup>1</sup> / <sub>4</sub> ") <input type="checkbox"/> A	+\$636
<b>1G5</b>	with central cutout for HM G1000 5 port unit (6 <sup>1</sup> / <sub>2</sub> " x 10 <sup>3</sup> / <sub>4</sub> ") <input type="checkbox"/> A	+\$636
<b>2D3</b>	with 2x cutouts for Byrne Dean Surface Mount 3 port unit (1 <sup>5</sup> / <sub>16</sub> " x 6 <sup>5</sup> / <sub>16</sub> ") <input type="checkbox"/> A	+\$1272
<b>2D4</b>	with 2x cutouts for Byrne Dean Surface Mount 4 port unit (1 <sup>5</sup> / <sub>16</sub> " x 7 <sup>3</sup> / <sub>16</sub> ") <input type="checkbox"/> A	+\$1272
<b>2D5</b>	with 2x cutouts for Byrne Dean Surface Mount 5 port unit (1 <sup>5</sup> / <sub>16</sub> " x 9 <sup>5</sup> / <sub>16</sub> ") <input type="checkbox"/> A	+\$1272
<b>2G3</b>	with 2x cutouts for HM G1000 3 port unit (6 <sup>1</sup> / <sub>2</sub> " x 7 <sup>1</sup> / <sub>4</sub> ") <input type="checkbox"/> A	+\$1272
<b>2G5</b>	with 2x cutouts for HM G1000 5 port unit (6 <sup>1</sup> / <sub>2</sub> " x 10 <sup>3</sup> / <sub>4</sub> ") <input type="checkbox"/> A	+\$1272





**Product Information**

**Description**

This table has a mild steel tube stem and flat plate steel base finished with polyester powder coat. Tops are available in a variety of materials and finishes. Stem, base and top are delivered unassembled.

**Notes**

Nominal dimensions rounded to the nearest 1/2 inch.

Type	Width	Depth	Height
10	51	27½	29½

**Specification Information**

**Step 1.**

**NOHEST1**

**Step 2. Type**

**10** standard height rectangular table 1300 x 700

**Prices for Steps 1-2.**

**NOHEST1 10** \$4248

**Step 3. Base Finish**

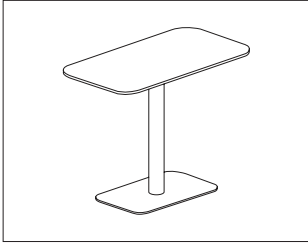
<b>R00</b>	RAL 9005 black <input type="checkbox"/>	+\$0
<b>R02</b>	RAL 7030 stone grey <input type="checkbox"/>	+\$402
<b>R03</b>	RAL 9006 silver <input type="checkbox"/>	+\$402
<b>R08</b>	RAL 2009 orange <input type="checkbox"/>	+\$402
<b>R13</b>	RAL 5024 pastel blue <input type="checkbox"/>	+\$402
<b>R14</b>	RAL 9003 white <input type="checkbox"/>	+\$0
<b>R23</b>	RAL 7021 black grey <input type="checkbox"/>	+\$402
<b>R24</b>	leaf green RAL 6002 <input type="checkbox"/>	+\$402
<b>R25</b>	RAL 6021 green <input type="checkbox"/>	+\$402
<b>R26</b>	RAL 3020 red <input type="checkbox"/>	+\$402
<b>R28</b>	RAL 3015 light pink <input type="checkbox"/>	+\$402
<b>R29</b>	RAL 5001 blue <input type="checkbox"/>	+\$402
<b>R30</b>	RAL 1013 oyster <input type="checkbox"/>	+\$402
<b>R38</b>	broom yellow RAL 1032 <input type="checkbox"/>	+\$402
<b>R39</b>	moss green RAL 6005 <input type="checkbox"/>	+\$402
<b>R40</b>	steel blue RAL 5011 <input type="checkbox"/>	+\$402

**Step 4. Surface Finish**

<b>BRC</b>	black MFMDf top with reverse chamfer edge <input type="checkbox"/>	+\$0
<b>WRC</b>	white MFMDf top with reverse chamfer edge <input type="checkbox"/>	+\$0
<b>OAK</b>	oak veneer top with reverse chamfer edge <input type="checkbox"/>	+\$398
<b>WLN</b>	walnut veneer top with reverse chamfer edge <input type="checkbox"/>	+\$398

**Step 5. Cutout**

<b>NC</b>	no cutout <input type="checkbox"/>	+\$0
<b>BN</b>	with central cutout for Byrne Node power unit diameter 3" <input type="checkbox"/>	+\$466



NaughtOne® Meeting Tables

**Product Information**

**Description**

This table has a mild steel tube stem and flat plate steel base finished with polyester powder coat. Tops are available in a variety of materials and finishes. Stem, base and top are delivered unassembled.

**Notes**

Nominal dimensions rounded to the nearest 1/2 inch.

Type	Width	Depth	Height
10	51	27 1/2	39 1/2

**Specification Information**

**Step 1.**

**NOHEST2** A

**Step 2. Type**

**10** bar height rectangular table 1300 x 700 A

**Prices for Steps 1-2.**

**NOHEST2 10** \$4529

**Step 3. Base Finish**

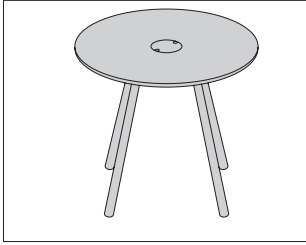
<b>R00</b>	RAL 9005 black <span style="border: 1px solid black; padding: 0 2px;">A</span>	+\$0
<b>R02</b>	RAL 7030 stone grey <span style="border: 1px solid black; padding: 0 2px;">A</span>	+\$402
<b>R03</b>	RAL 9006 silver <span style="border: 1px solid black; padding: 0 2px;">A</span>	+\$402
<b>R08</b>	RAL 2009 orange <span style="border: 1px solid black; padding: 0 2px;">A</span>	+\$402
<b>R13</b>	RAL 5024 pastel blue <span style="border: 1px solid black; padding: 0 2px;">A</span>	+\$402
<b>R14</b>	RAL 9003 white <span style="border: 1px solid black; padding: 0 2px;">A</span>	+\$0
<b>R23</b>	RAL 7021 black grey <span style="border: 1px solid black; padding: 0 2px;">A</span>	+\$402
<b>R24</b>	leaf green RAL 6002 <span style="border: 1px solid black; padding: 0 2px;">A</span>	+\$402
<b>R25</b>	RAL 6021 green <span style="border: 1px solid black; padding: 0 2px;">A</span>	+\$402
<b>R26</b>	RAL 3020 red <span style="border: 1px solid black; padding: 0 2px;">A</span>	+\$402
<b>R28</b>	RAL 3015 light pink <span style="border: 1px solid black; padding: 0 2px;">A</span>	+\$402
<b>R29</b>	RAL 5001 blue <span style="border: 1px solid black; padding: 0 2px;">A</span>	+\$402
<b>R30</b>	RAL 1013 oyster <span style="border: 1px solid black; padding: 0 2px;">A</span>	+\$402
<b>R38</b>	broom yellow RAL 1032 <span style="border: 1px solid black; padding: 0 2px;">A</span>	+\$402
<b>R39</b>	moss green RAL 6005 <span style="border: 1px solid black; padding: 0 2px;">A</span>	+\$402
<b>R40</b>	steel blue RAL 5011 <span style="border: 1px solid black; padding: 0 2px;">A</span>	+\$402

**Step 4. Surface Finish**

<b>BRC</b>	black MFMDf top with reverse chamfer edge <span style="border: 1px solid black; padding: 0 2px;">A</span>	+\$0
<b>WRC</b>	white MFMDf top with reverse chamfer edge <span style="border: 1px solid black; padding: 0 2px;">A</span>	+\$0
<b>OAK</b>	oak veneer top with reverse chamfer edge <span style="border: 1px solid black; padding: 0 2px;">A</span>	+\$398
<b>WLN</b>	walnut veneer top with reverse chamfer edge <span style="border: 1px solid black; padding: 0 2px;">A</span>	+\$398

**Step 5. Cutout**

<b>NC</b>	no cutout <span style="border: 1px solid black; padding: 0 2px;">A</span>	+\$0
<b>BN</b>	with central cutout for Byrne Node power unit diameter <span style="border: 1px solid black; padding: 0 2px;">A</span>	+\$466
	3" <span style="border: 1px solid black; padding: 0 2px;">A</span>	



**Product Information**

**Description**

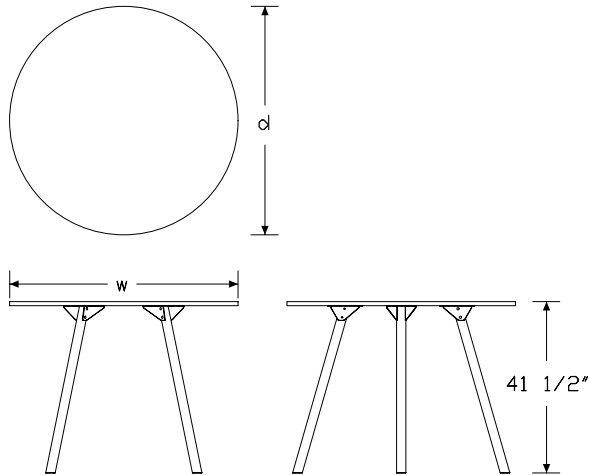
This chair has a laser cut and folded mild steel underframe, finished with polyester powder coat. Legs come in either power coated mild steel, or solid wood finished in a clear lacquer. Tops are available in a variety of materials and finishes. Product is delivered unassembled.

**Notes**

Nominal dimensions rounded to the nearest 1/2 inch.

Type	Width	Depth	Height
12	47	47	41 1/2
14	55	55	41 1/2

**Dimensions**



**Specification Information**

**Step 1.**

**NOMS05** [A]

**Step 2. Type**

12	bar height circular table - 1200	[A]	+\$3440
14	bar height circular table - 1400	[A]	+\$4227

**Step 3. Cable Management**

A	no dot power port, no cable management	[A]	+\$0
Y	one dot power port, comes with cable tray and cable managed leg	[A]	+\$934

**Step 4. Leg Material**

W	wood	[A]	+\$0
S	steel	[A]	+\$0

**Step 5. Leg Finish**

*For wood (W)*

OAK	oak	[A]	+\$302
-----	-----	-----	--------

*For steel (S)*

R00	black RAL 9005	[A]	+\$0
R14	signal white RAL9003	[A]	+\$0
R02	stone grey RAL 7030	[A]	+\$302
R03	silver - RAL 9006	[A]	+\$302
R08	traffic orange RAL 2009	[A]	+\$302
R13	pastel blue RAL 5024	[A]	+\$302
R23	black grey RAL 7021	[A]	+\$302
R24	leaf green RAL 6002	[A]	+\$302
R25	pale green RAL 6021	[A]	+\$302
R26	RAL 3020 red	[A]	+\$302
R28	light pink RAL 3015	[A]	+\$302
R29	dark blue RAL 5001	[A]	+\$302
R30	oyster RAL 1013	[A]	+\$302
R38	broom yellow RAL 1032	[A]	+\$302
R39	moss green RAL 6005	[A]	+\$302
R40	steel blue RAL 5011	[A]	+\$302

# Morse Bar Height Circular Table

continued

## Step 6. Under-Frame Finish

<b>R00</b>	black RAL 9005 <input type="checkbox"/>	+\$0
<b>R14</b>	signal white RAL9003 <input type="checkbox"/>	+\$0
<b>R02</b>	stone grey RAL 7030 <input type="checkbox"/>	+\$302
<b>R03</b>	silver - RAL 9006 <input type="checkbox"/>	+\$302
<b>R08</b>	traffic orange RAL 2009 <input type="checkbox"/>	+\$302
<b>R13</b>	pastel blue RAL 5024 <input type="checkbox"/>	+\$302
<b>R23</b>	black grey RAL 7021 <input type="checkbox"/>	+\$302
<b>R24</b>	leaf green RAL 6002 <input type="checkbox"/>	+\$302
<b>R25</b>	pale green RAL 6021 <input type="checkbox"/>	+\$302
<b>R26</b>	RAL 3020 red <input type="checkbox"/>	+\$302
<b>R28</b>	light pink RAL 3015 <input type="checkbox"/>	+\$302
<b>R29</b>	dark blue RAL 5001 <input type="checkbox"/>	+\$302
<b>R30</b>	oyster RAL 1013 <input type="checkbox"/>	+\$302
<b>R38</b>	broom yellow RAL 1032 <input type="checkbox"/>	+\$302
<b>R39</b>	moss green RAL 6005 <input type="checkbox"/>	+\$302
<b>R40</b>	steel blue RAL 5011 <input type="checkbox"/>	+\$302

## Step 7. Surface Finish

### For bar height circular table - 1200 (12)

<b>BSE</b>	black MF MDF top with edge band <input type="checkbox"/>	+\$0
<b>WSE</b>	white MF MDF top with edge band <input type="checkbox"/>	+\$0
<b>OKE</b>	oak veneer top with edge band <input type="checkbox"/>	+\$634
<b>J23</b>	4023 Nero forbo lino top with edge band <input type="checkbox"/>	+\$1553
<b>J32</b>	4132 Ash forbo lino top with edge band <input type="checkbox"/>	+\$1553
<b>J55</b>	4155 Pewter forbo lino top with edge band <input type="checkbox"/>	+\$1553
<b>J57</b>	4157 Pearl forbo lino top with edge band <input type="checkbox"/>	+\$1553
<b>J64</b>	4164 Salsa forbo lino top with edge band <input type="checkbox"/>	+\$1553
<b>J66</b>	4166 Charcoal forbo lino top with edge band <input type="checkbox"/>	+\$1553
<b>J72</b>	4172 Mauve forbo lino top with edge band <input type="checkbox"/>	+\$1553
<b>J74</b>	4174 Conifer forbo lino top with edge band <input type="checkbox"/>	+\$1553
<b>J75</b>	4175 Pebble forbo lino top with edge band <input type="checkbox"/>	+\$1553
<b>J76</b>	4176 Mushroom forbo lino top with edge band <input type="checkbox"/>	+\$1553
<b>J77</b>	4177 Vapour forbo lino top with edge band <input type="checkbox"/>	+\$1553
<b>J78</b>	4178 Iron forbo lino top with edge band <input type="checkbox"/>	+\$1553
<b>J79</b>	4179 Smokey Blue forbo lino top with edge band <input type="checkbox"/>	+\$1553
<b>J80</b>	4180 Aquavert forbo lino top with edge band <input type="checkbox"/>	+\$1553
<b>J81</b>	4181 Midnight Blue forbo lino top with edge band <input type="checkbox"/>	+\$1553
<b>J82</b>	4182 Spring Green forbo lino top with edge band <input type="checkbox"/>	+\$1553
<b>J83</b>	4183 Pistachio forbo lino top with edge band <input type="checkbox"/>	+\$1553
<b>J84</b>	4184 Olive forbo lino top with edge band <input type="checkbox"/>	+\$1553
<b>J85</b>	4185 Powder forbo lino top with edge band <input type="checkbox"/>	+\$1553
<b>J86</b>	4186 Orange Blast forbo lino top with edge band <input type="checkbox"/>	+\$1553

### For bar height circular table - 1400 (14)

<b>BSE</b>	black MF MDF top with edge band <input type="checkbox"/>	+\$0
<b>WSE</b>	white MF MDF top with edge band <input type="checkbox"/>	+\$0
<b>OKE</b>	oak veneer top with edge band <input type="checkbox"/>	+\$1493
<b>J23</b>	4023 Nero forbo lino top with edge band <input type="checkbox"/>	+\$1901
<b>J32</b>	4132 Ash forbo lino top with edge band <input type="checkbox"/>	+\$1901
<b>J55</b>	4155 Pewter forbo lino top with edge band <input type="checkbox"/>	+\$1901
<b>J57</b>	4157 Pearl forbo lino top with edge band <input type="checkbox"/>	+\$1901
<b>J64</b>	4164 Salsa forbo lino top with edge band <input type="checkbox"/>	+\$1901
<b>J66</b>	4166 Charcoal forbo lino top with edge band <input type="checkbox"/>	+\$1901
<b>J72</b>	4172 Mauve forbo lino top with edge band <input type="checkbox"/>	+\$1901
<b>J74</b>	4174 Conifer forbo lino top with edge band <input type="checkbox"/>	+\$1901
<b>J75</b>	4175 Pebble forbo lino top with edge band <input type="checkbox"/>	+\$1901
<b>J76</b>	4176 Mushroom forbo lino top with edge band <input type="checkbox"/>	+\$1901
<b>J77</b>	4177 Vapour forbo lino top with edge band <input type="checkbox"/>	+\$1901
<b>J78</b>	4178 Iron forbo lino top with edge band <input type="checkbox"/>	+\$1901
<b>J79</b>	4179 Smokey Blue forbo lino top with edge band <input type="checkbox"/>	+\$1901
<b>J80</b>	4180 Aquavert forbo lino top with edge band <input type="checkbox"/>	+\$1901
<b>J81</b>	4181 Midnight Blue forbo lino top with edge band <input type="checkbox"/>	+\$1901
<b>J82</b>	4182 Spring Green forbo lino top with edge band <input type="checkbox"/>	+\$1901
<b>J83</b>	4183 Pistachio forbo lino top with edge band <input type="checkbox"/>	+\$1901
<b>J84</b>	4184 Olive forbo lino top with edge band <input type="checkbox"/>	+\$1901
<b>J85</b>	4185 Powder forbo lino top with edge band <input type="checkbox"/>	+\$1901
<b>J86</b>	4186 Orange Blast forbo lino top with edge band <input type="checkbox"/>	+\$1901

## Step 8. Dot Power Port Finish

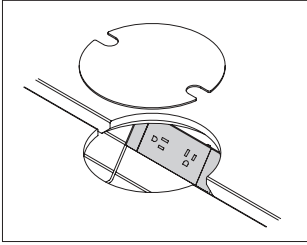
### For no dot power port, no cable management (A)

<b>N</b>	no selection necessary <input type="checkbox"/>	+\$0
----------	---	------

### For one dot power port, comes with cable tray and cable managed leg (Y)

<b>R00</b>	black RAL 9005 <input type="checkbox"/>	+\$0
<b>R14</b>	signal white RAL9003 <input type="checkbox"/>	+\$0
<b>R02</b>	stone grey RAL 7030 <input type="checkbox"/>	+\$0
<b>R03</b>	silver - RAL 9006 <input type="checkbox"/>	+\$0
<b>R08</b>	traffic orange RAL 2009 <input type="checkbox"/>	+\$0
<b>R13</b>	pastel blue RAL 5024 <input type="checkbox"/>	+\$0
<b>R23</b>	black grey RAL 7021 <input type="checkbox"/>	+\$0
<b>R24</b>	leaf green RAL 6002 <input type="checkbox"/>	+\$0
<b>R25</b>	pale green RAL 6021 <input type="checkbox"/>	+\$0
<b>R26</b>	RAL 3020 red <input type="checkbox"/>	+\$0
<b>R28</b>	light pink RAL 3015 <input type="checkbox"/>	+\$0
<b>R29</b>	dark blue RAL 5001 <input type="checkbox"/>	+\$0
<b>R30</b>	oyster RAL 1013 <input type="checkbox"/>	+\$0
<b>R38</b>	broom yellow RAL 1032 <input type="checkbox"/>	+\$0
<b>R39</b>	moss green RAL 6005 <input type="checkbox"/>	+\$0
<b>R40</b>	steel blue RAL 5011 <input type="checkbox"/>	+\$0

# Morse Table System Dot Power Unit NOMSP



## Product Information

### Description

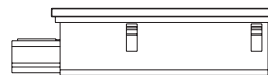
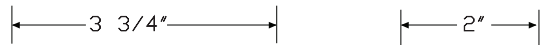
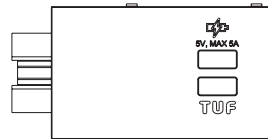
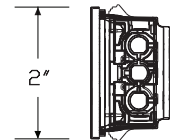
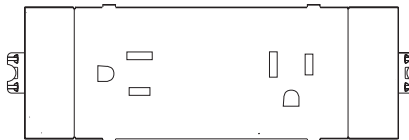
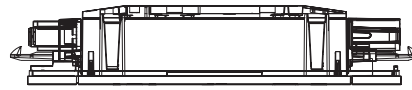
The Morse Dot Power units come in a combination of power and USB power options. The unit is powered using a GST18i3 connector with plug end. Unit is designed to sit neatly under the Morse Table System Dot Power Port and can be snapped directly into the cable trays provided. Power outlets are angled toward users on both sides of the table to allow easier access.

### Notes

Morse Dot Power units are suitable for Morse Table products specified with a Dot Power Port. Unit snaps directly into the cable tray provided underneath the Dot Power Port.

Power unit NOMSPWR40US can also be located in a cable tray in a position that is not under the Dot Power Port to provide power outlets for monitors and other devices that do not require frequent user access.

## Dimensions



# Morse Table System Dot Power Unit

continued

NaughtOne® Meeting Tables

## Specification Information

### Step 1.

**NOMSPWR**  A

### Step 2. Power Type

**40US** 4x US Power  A

**41US** 4x US Power, USB (A+C)  A

### Prices for Steps 1-2.

<b>NOMSPWR</b>	<b>40US</b>	\$731
	<b>41US</b>	\$1144

### Step 3. Cable Length

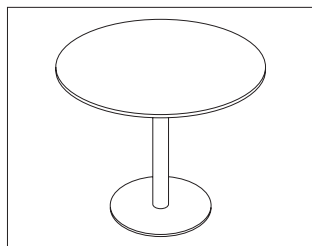
**10** 10' cable  A +\$0

**16** 16' cable  A +\$25

**23** 23' cable  A +\$50

### Step 4. Fascia Colour

**BK** black  A +\$0



**Product Information**

**Description**

This table has a mild steel tube stem and base finished with polyester powder coat. Tops are available in a variety of materials and finishes. Ships unassembled.

**Notes**

Nominal dimensions rounded to the nearest 1/2 inch.

Type	Width	Depth	Height
24D	24	24	29
24S	24	24	29
30D	30	30	29
30S	30	30	29
36D	36	36	29
36S	36	36	29
42D	42	42	29
42S	42	42	29
48D	48	48	29
48S	48	48	29
60D	60	60	29

**Specification Information**

**Step 1.**

**NOTIE3**  A

**Step 2. Type**

- 24D** circular café table 24"  A
- 24S** square café table 24"  A
- 30D** circular café table 30"  A
- 30S** square café table 30"  A
- 36D** circular café table 36"  A
- 36S** square café table 36"  A
- 42D** circular café table 42"  A
- 42S** square café table 42"  A
- 48D** circular café table 48"  A
- 48S** square café table 48"  A
- 60D** circular café table 60"  A

**Step 3. Base Colors**

- 1** single color  A
- 2** two color  A

**Prices for Steps 1-3.**

		1	2
<b>NOTIE3</b>	<b>24D</b>	\$1413	1413
	<b>24S</b>	\$1413	1413
	<b>30D</b>	\$1848	1848
	<b>30S</b>	\$1848	1848
	<b>36D</b>	\$2011	2011
	<b>36S</b>	\$2011	2011
	<b>42D</b>	\$2446	2446
	<b>42S</b>	\$2446	2446
	<b>48D</b>	\$2718	2718
	<b>48S</b>	\$2718	2718
	<b>60D</b>	\$3260	3260

Step 4.

Base Finish

*For single color (1)*

R00	black RAL 9005 [A]	+\$0
R02	stone grey RAL 7030 [A]	+\$268
R03	silver - RAL 9006 [A]	+\$268
R08	traffic orange RAL 2009 [A]	+\$268
R13	pastel blue RAL 5024 [A]	+\$268
R14	signal white RAL9003 [A]	+\$0
R23	black grey RAL 7021 [A]	+\$268
R24	leaf green RAL 6002 [A]	+\$268
R25	pale green RAL 6021 [A]	+\$268
R26	RAL 3020 red [A]	+\$268
R28	light pink RAL 3015 [A]	+\$268
R29	dark blue RAL 5001 [A]	+\$268
R30	oyster RAL 1013 [A]	+\$268
R38	broom yellow RAL 1032 [A]	+\$268
R39	moss green RAL 6005 [A]	+\$268
R40	steel blue RAL 5011 [A]	+\$268

Base Plate Finish

*For two color (2)*

R00	black RAL 9005 [A]	+\$0
R02	stone grey RAL 7030 [A]	+\$130
R03	silver - RAL 9006 [A]	+\$130
R08	traffic orange RAL 2009 [A]	+\$130
R13	pastel blue RAL 5024 [A]	+\$130
R14	signal white RAL9003 [A]	+\$0
R23	black grey RAL 7021 [A]	+\$130
R24	leaf green RAL 6002 [A]	+\$130
R25	pale green RAL 6021 [A]	+\$130
R26	RAL 3020 red [A]	+\$130
R28	light pink RAL 3015 [A]	+\$130
R29	dark blue RAL 5001 [A]	+\$130
R30	oyster RAL 1013 [A]	+\$130
R38	broom yellow RAL 1032 [A]	+\$130
R39	moss green RAL 6005 [A]	+\$130
R40	steel blue RAL 5011 [A]	+\$130

Step 5. Stem Finish

*For two color (2)*

R00	black RAL 9005 [A]	+\$0
R02	stone grey RAL 7030 [A]	+\$268
R03	silver - RAL 9006 [A]	+\$268
R08	traffic orange RAL 2009 [A]	+\$268
R13	pastel blue RAL 5024 [A]	+\$268
R14	signal white RAL9003 [A]	+\$0
R23	black grey RAL 7021 [A]	+\$268
R24	leaf green RAL 6002 [A]	+\$268
R25	pale green RAL 6021 [A]	+\$268
R26	RAL 3020 red [A]	+\$268
R28	light pink RAL 3015 [A]	+\$268
R29	dark blue RAL 5001 [A]	+\$268
R30	oyster RAL 1013 [A]	+\$268
R38	broom yellow RAL 1032 [A]	+\$268
R39	moss green RAL 6005 [A]	+\$268
R40	steel blue RAL 5011 [A]	+\$268

Step 6. Surface Finish

*For circular café table 24" (24D) or square café table 24" (24S)*

BRC	black MFMDf top with reverse chamfer edge [A]	+\$0
BSE	black MFMDf top with edge band [A]	+\$0
OKE	oak veneer top with edge band [A]	+\$200
OKR	oak veneer top with reverse chamfer edge [A]	+\$200
Q23	4123 nero forbo lino top with reverse chamfer edge [A]	+\$525
Q32	4132 ash forbo lino top with reverse chamfer edge [A]	+\$525
Q54	4154 Burgundy forbo lino top with reverse chamfer edge [A]	+\$525
Q55	4155 pewter forbo lino top with reverse chamfer edge [A]	+\$525
Q57	4157 Pearl forbo lino top with reverse chamfer edge [A]	+\$525
Q64	4164 Salsa forbo lino top with reverse chamfer edge [A]	+\$525
Q66	4166 charcoal forbo lino top with reverse chamfer edge [A]	+\$525
Q72	4172 mauve forbo lino top with reverse chamfer edge [A]	+\$525
Q74	4174 Conifer forbo lino top with reverse chamfer edge [A]	+\$525
Q75	4175 pebble forbo lino top with reverse chamfer edge [A]	+\$525
Q76	4176 mushroom forbo lino top with reverse chamfer edge [A]	+\$525
Q77	4177 Vapour forbo lino top with reverse chamfer edge [A]	+\$525
Q78	4178 Iron forbo lino top with reverse chamfer edge [A]	+\$525



Tier Café Tables *continued*

<b>Q79</b>	4179 Smokey Blue forbo lino top with reverse chamfer edge <span style="border: 1px solid black; padding: 0 2px;">A</span>	+\$525
<b>Q80</b>	4180 Aquavert forbo lino top with reverse chamfer edge <span style="border: 1px solid black; padding: 0 2px;">A</span>	+\$525
<b>Q81</b>	4181 Midnight Blue forbo lino top with reverse chamfer edge <span style="border: 1px solid black; padding: 0 2px;">A</span>	+\$525
<b>Q82</b>	4182 Spring Green forbo lino top with reverse chamfer edge <span style="border: 1px solid black; padding: 0 2px;">A</span>	+\$525
<b>Q83</b>	4183 Pistachio forbo lino top with reverse chamfer edge <span style="border: 1px solid black; padding: 0 2px;">A</span>	+\$525
<b>Q84</b>	4184 Olive forbo lino top with reverse chamfer edge <span style="border: 1px solid black; padding: 0 2px;">A</span>	+\$525
<b>Q85</b>	4185 Powder forbo lino top with reverse chamfer edge <span style="border: 1px solid black; padding: 0 2px;">A</span>	+\$525
<b>Q86</b>	4186 Orange Blast forbo lino top with reverse chamfer edge <span style="border: 1px solid black; padding: 0 2px;">A</span>	+\$525
<b>WLE</b>	walnut veneer top with edge band <span style="border: 1px solid black; padding: 0 2px;">A</span>	+\$200
<b>WLR</b>	walnut veneer top with reverse chamfer edge <span style="border: 1px solid black; padding: 0 2px;">A</span>	+\$200
<b>WRC</b>	white MFMDf top with reverse chamfer edge <span style="border: 1px solid black; padding: 0 2px;">A</span>	+\$0
<b>WSE</b>	white MFMDf top with edge band <span style="border: 1px solid black; padding: 0 2px;">A</span>	+\$0

*For circular café table 30" (30D), square café table 30" (30S), circular café table 36" (36D), or square café table 36" (36S)*

<b>BRC</b>	black MFMDf top with reverse chamfer edge <span style="border: 1px solid black; padding: 0 2px;">A</span>	+\$0
<b>BSE</b>	black MFMDf top with edge band <span style="border: 1px solid black; padding: 0 2px;">A</span>	+\$0
<b>OKE</b>	oak veneer top with edge band <span style="border: 1px solid black; padding: 0 2px;">A</span>	+\$225
<b>OKR</b>	oak veneer top with reverse chamfer edge <span style="border: 1px solid black; padding: 0 2px;">A</span>	+\$225
<b>Q23</b>	4123 nero forbo lino top with reverse chamfer edge <span style="border: 1px solid black; padding: 0 2px;">A</span>	+\$650
<b>Q32</b>	4132 ash forbo lino top with reverse chamfer edge <span style="border: 1px solid black; padding: 0 2px;">A</span>	+\$650
<b>Q54</b>	4154 Burgundy forbo lino top with reverse chamfer edge <span style="border: 1px solid black; padding: 0 2px;">A</span>	+\$650
<b>Q55</b>	4155 pewter forbo lino top with reverse chamfer edge <span style="border: 1px solid black; padding: 0 2px;">A</span>	+\$650
<b>Q57</b>	4157 Pearl forbo lino top with reverse chamfer edge <span style="border: 1px solid black; padding: 0 2px;">A</span>	+\$650
<b>Q64</b>	4164 Salsa forbo lino top with reverse chamfer edge <span style="border: 1px solid black; padding: 0 2px;">A</span>	+\$650
<b>Q66</b>	4166 charcoal forbo lino top with reverse chamfer edge <span style="border: 1px solid black; padding: 0 2px;">A</span>	+\$650
<b>Q72</b>	4172 mauve forbo lino top with reverse chamfer edge <span style="border: 1px solid black; padding: 0 2px;">A</span>	+\$650
<b>Q74</b>	4174 Conifer forbo lino top with reverse chamfer edge <span style="border: 1px solid black; padding: 0 2px;">A</span>	+\$650
<b>Q75</b>	4175 pebble forbo lino top with reverse chamfer edge <span style="border: 1px solid black; padding: 0 2px;">A</span>	+\$650
<b>Q76</b>	4176 mushroom forbo lino top with reverse chamfer edge <span style="border: 1px solid black; padding: 0 2px;">A</span>	+\$650
<b>Q77</b>	4177 Vapour forbo lino top with reverse chamfer edge <span style="border: 1px solid black; padding: 0 2px;">A</span>	+\$650
<b>Q78</b>	4178 Iron forbo lino top with reverse chamfer edge <span style="border: 1px solid black; padding: 0 2px;">A</span>	+\$650

<b>Q79</b>	4179 Smokey Blue forbo lino top with reverse chamfer edge <span style="border: 1px solid black; padding: 0 2px;">A</span>	+\$650
<b>Q80</b>	4180 Aquavert forbo lino top with reverse chamfer edge <span style="border: 1px solid black; padding: 0 2px;">A</span>	+\$650
<b>Q81</b>	4181 Midnight Blue forbo lino top with reverse chamfer edge <span style="border: 1px solid black; padding: 0 2px;">A</span>	+\$650
<b>Q82</b>	4182 Spring Green forbo lino top with reverse chamfer edge <span style="border: 1px solid black; padding: 0 2px;">A</span>	+\$650
<b>Q83</b>	4183 Pistachio forbo lino top with reverse chamfer edge <span style="border: 1px solid black; padding: 0 2px;">A</span>	+\$650
<b>Q84</b>	4184 Olive forbo lino top with reverse chamfer edge <span style="border: 1px solid black; padding: 0 2px;">A</span>	+\$650
<b>Q85</b>	4185 Powder forbo lino top with reverse chamfer edge <span style="border: 1px solid black; padding: 0 2px;">A</span>	+\$650
<b>Q86</b>	4186 Orange Blast forbo lino top with reverse chamfer edge <span style="border: 1px solid black; padding: 0 2px;">A</span>	+\$650
<b>WLE</b>	walnut veneer top with edge band <span style="border: 1px solid black; padding: 0 2px;">A</span>	+\$225
<b>WLR</b>	walnut veneer top with reverse chamfer edge <span style="border: 1px solid black; padding: 0 2px;">A</span>	+\$225
<b>WRC</b>	white MFMDf top with reverse chamfer edge <span style="border: 1px solid black; padding: 0 2px;">A</span>	+\$0
<b>WSE</b>	white MFMDf top with edge band <span style="border: 1px solid black; padding: 0 2px;">A</span>	+\$0

*For circular café table 42" (42D), square café table 42" (42S), circular café table 48" (48D), square café table 48" (48S), or circular café table 60" (60D)*

<b>BRC</b>	black MFMDf top with reverse chamfer edge <span style="border: 1px solid black; padding: 0 2px;">A</span>	+\$0
<b>BSE</b>	black MFMDf top with edge band <span style="border: 1px solid black; padding: 0 2px;">A</span>	+\$0
<b>OKE</b>	oak veneer top with edge band <span style="border: 1px solid black; padding: 0 2px;">A</span>	+\$250
<b>OKR</b>	oak veneer top with reverse chamfer edge <span style="border: 1px solid black; padding: 0 2px;">A</span>	+\$250
<b>Q23</b>	4123 nero forbo lino top with reverse chamfer edge <span style="border: 1px solid black; padding: 0 2px;">A</span>	+\$750
<b>Q32</b>	4132 ash forbo lino top with reverse chamfer edge <span style="border: 1px solid black; padding: 0 2px;">A</span>	+\$750
<b>Q54</b>	4154 Burgundy forbo lino top with reverse chamfer edge <span style="border: 1px solid black; padding: 0 2px;">A</span>	+\$750
<b>Q55</b>	4155 pewter forbo lino top with reverse chamfer edge <span style="border: 1px solid black; padding: 0 2px;">A</span>	+\$750
<b>Q57</b>	4157 Pearl forbo lino top with reverse chamfer edge <span style="border: 1px solid black; padding: 0 2px;">A</span>	+\$750
<b>Q64</b>	4164 Salsa forbo lino top with reverse chamfer edge <span style="border: 1px solid black; padding: 0 2px;">A</span>	+\$750
<b>Q66</b>	4166 charcoal forbo lino top with reverse chamfer edge <span style="border: 1px solid black; padding: 0 2px;">A</span>	+\$750
<b>Q72</b>	4172 mauve forbo lino top with reverse chamfer edge <span style="border: 1px solid black; padding: 0 2px;">A</span>	+\$750
<b>Q74</b>	4174 Conifer forbo lino top with reverse chamfer edge <span style="border: 1px solid black; padding: 0 2px;">A</span>	+\$750
<b>Q75</b>	4175 pebble forbo lino top with reverse chamfer edge <span style="border: 1px solid black; padding: 0 2px;">A</span>	+\$750
<b>Q76</b>	4176 mushroom forbo lino top with reverse chamfer edge <span style="border: 1px solid black; padding: 0 2px;">A</span>	+\$750
<b>Q77</b>	4177 Vapour forbo lino top with reverse chamfer edge <span style="border: 1px solid black; padding: 0 2px;">A</span>	+\$750
<b>Q78</b>	4178 Iron forbo lino top with reverse chamfer edge <span style="border: 1px solid black; padding: 0 2px;">A</span>	+\$750

Tier Café Tables *continued*

NaughtOne® Meeting Tables

<b>Q79</b>	4179 Smokey Blue forbo lino top with reverse chamfer edge <input type="checkbox"/> A	+\$750
<b>Q80</b>	4180 Aquavert forbo lino top with reverse chamfer edge <input type="checkbox"/> A	+\$750
<b>Q81</b>	4181 Midnight Blue forbo lino top with reverse chamfer edge <input type="checkbox"/> A	+\$750
<b>Q82</b>	4182 Spring Green forbo lino top with reverse chamfer edge <input type="checkbox"/> A	+\$750
<b>Q83</b>	4183 Pistachio forbo lino top with reverse chamfer edge <input type="checkbox"/> A	+\$750
<b>Q84</b>	4184 Olive forbo lino top with reverse chamfer edge <input type="checkbox"/> A	+\$750
<b>Q85</b>	4185 Powder forbo lino top with reverse chamfer edge <input type="checkbox"/> A	+\$750
<b>Q86</b>	4186 Orange Blast forbo lino top with reverse chamfer edge <input type="checkbox"/> A	+\$750
<b>WLE</b>	walnut veneer top with edge band <input type="checkbox"/> A	+\$250
<b>WLR</b>	walnut veneer top with reverse chamfer edge <input type="checkbox"/> A	+\$250
<b>WRC</b>	white MFMDF top with reverse chamfer edge <input type="checkbox"/> A	+\$0
<b>WSE</b>	white MFMDF top with edge band <input type="checkbox"/> A	+\$0

---

Step 7. Cutout

*For circular café table 24" (24D) or square café table 24" (24S)*

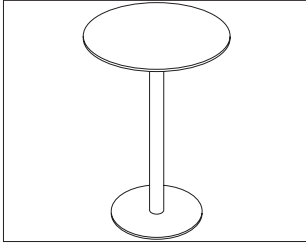
<b>OCS</b>	no cutout <input type="checkbox"/> A	+\$0
------------	--------------------------------------	------

*For circular café table 30" (30D), square café table 30" (30S), circular café table 36" (36D), or square café table 36" (36S)*

<b>OCS</b>	no cutout <input type="checkbox"/> A	+\$0
<b>WSP</b>	with central cut-out for Byrne Salt or Pepper power unit <input type="checkbox"/> A	+\$466

*For circular café table 42" (42D), square café table 42" (42S), circular café table 48" (48D), square café table 48" (48S), or circular café table 60" (60D)*

<b>OCS</b>	no cutout <input type="checkbox"/> A	+\$0
<b>WND</b>	with central cut-out for Byrne Node power unit <input type="checkbox"/> A	+\$466



**Product Information**

**Description**

This bar height table has a mild steel tube stem and base finished with polyester powder coat. Tops are available in a variety of materials and finishes. Ships unassembled.

**Notes**

Nominal dimensions rounded to the nearest 1/2 inch.

Type	Width	Depth	Height
24D	24	24	41 1/2
24S	24	24	41 1/2

**Specification Information**

**Step 1.**

**NOTIE5**

**Step 2. Type**

**24D** circular café table 24"

**24S** square café table 24"

**Step 3. Base Colors**

**1** single color

**2** two color

**Prices for Steps 1-3.**

		1	2
<b>NOTIE5</b>	<b>24D</b>	\$1685	1685
	<b>24S</b>	\$1685	1685

**Step 4.**

**Base Finish**

*For single color (1)*

<b>R00</b>	black RAL 9005 <input type="checkbox"/>	+\$0
<b>R02</b>	stone grey RAL 7030 <input type="checkbox"/>	+\$268
<b>R03</b>	silver - RAL 9006 <input type="checkbox"/>	+\$268
<b>R08</b>	traffic orange RAL 2009 <input type="checkbox"/>	+\$268
<b>R13</b>	pastel blue RAL 5024 <input type="checkbox"/>	+\$268
<b>R14</b>	signal white RAL9003 <input type="checkbox"/>	+\$0
<b>R23</b>	black grey RAL 7021 <input type="checkbox"/>	+\$268
<b>R24</b>	leaf green RAL 6002 <input type="checkbox"/>	+\$268
<b>R25</b>	pale green RAL 6021 <input type="checkbox"/>	+\$268
<b>R26</b>	RAL 3020 red <input type="checkbox"/>	+\$268
<b>R28</b>	light pink RAL 3015 <input type="checkbox"/>	+\$268
<b>R29</b>	dark blue RAL 5001 <input type="checkbox"/>	+\$268
<b>R30</b>	oyster RAL 1013 <input type="checkbox"/>	+\$268
<b>R38</b>	broom yellow RAL 1032 <input type="checkbox"/>	+\$268
<b>R39</b>	moss green RAL 6005 <input type="checkbox"/>	+\$268
<b>R40</b>	steel blue RAL 5011 <input type="checkbox"/>	+\$268

Tier Bar Height Tables *continued*

Base Plate Finish

*For two color (2)*

<b>R00</b>	black RAL 9005 <span style="border: 1px solid black; padding: 0 2px;">A</span>	+\$0
<b>R02</b>	stone grey RAL 7030 <span style="border: 1px solid black; padding: 0 2px;">A</span>	+\$130
<b>R03</b>	silver - RAL 9006 <span style="border: 1px solid black; padding: 0 2px;">A</span>	+\$130
<b>R08</b>	traffic orange RAL 2009 <span style="border: 1px solid black; padding: 0 2px;">A</span>	+\$130
<b>R13</b>	pastel blue RAL 5024 <span style="border: 1px solid black; padding: 0 2px;">A</span>	+\$130
<b>R14</b>	signal white RAL9003 <span style="border: 1px solid black; padding: 0 2px;">A</span>	+\$0
<b>R23</b>	black grey RAL 7021 <span style="border: 1px solid black; padding: 0 2px;">A</span>	+\$130
<b>R24</b>	leaf green RAL 6002 <span style="border: 1px solid black; padding: 0 2px;">A</span>	+\$130
<b>R25</b>	pale green RAL 6021 <span style="border: 1px solid black; padding: 0 2px;">A</span>	+\$130
<b>R26</b>	RAL 3020 red <span style="border: 1px solid black; padding: 0 2px;">A</span>	+\$130
<b>R28</b>	light pink RAL 3015 <span style="border: 1px solid black; padding: 0 2px;">A</span>	+\$130
<b>R29</b>	dark blue RAL 5001 <span style="border: 1px solid black; padding: 0 2px;">A</span>	+\$130
<b>R30</b>	oyster RAL 1013 <span style="border: 1px solid black; padding: 0 2px;">A</span>	+\$130
<b>R38</b>	broom yellow RAL 1032 <span style="border: 1px solid black; padding: 0 2px;">A</span>	+\$130
<b>R39</b>	moss green RAL 6005 <span style="border: 1px solid black; padding: 0 2px;">A</span>	+\$130
<b>R40</b>	steel blue RAL 5011 <span style="border: 1px solid black; padding: 0 2px;">A</span>	+\$130

Step 5. Stem Finish

*For two color (2)*

<b>R00</b>	black RAL 9005 <span style="border: 1px solid black; padding: 0 2px;">A</span>	+\$0
<b>R02</b>	stone grey RAL 7030 <span style="border: 1px solid black; padding: 0 2px;">A</span>	+\$268
<b>R03</b>	silver - RAL 9006 <span style="border: 1px solid black; padding: 0 2px;">A</span>	+\$268
<b>R08</b>	traffic orange RAL 2009 <span style="border: 1px solid black; padding: 0 2px;">A</span>	+\$268
<b>R13</b>	pastel blue RAL 5024 <span style="border: 1px solid black; padding: 0 2px;">A</span>	+\$268
<b>R14</b>	signal white RAL9003 <span style="border: 1px solid black; padding: 0 2px;">A</span>	+\$0
<b>R23</b>	black grey RAL 7021 <span style="border: 1px solid black; padding: 0 2px;">A</span>	+\$268
<b>R24</b>	leaf green RAL 6002 <span style="border: 1px solid black; padding: 0 2px;">A</span>	+\$268
<b>R25</b>	pale green RAL 6021 <span style="border: 1px solid black; padding: 0 2px;">A</span>	+\$268
<b>R26</b>	RAL 3020 red <span style="border: 1px solid black; padding: 0 2px;">A</span>	+\$268
<b>R28</b>	light pink RAL 3015 <span style="border: 1px solid black; padding: 0 2px;">A</span>	+\$268
<b>R29</b>	dark blue RAL 5001 <span style="border: 1px solid black; padding: 0 2px;">A</span>	+\$268
<b>R30</b>	oyster RAL 1013 <span style="border: 1px solid black; padding: 0 2px;">A</span>	+\$268
<b>R38</b>	broom yellow RAL 1032 <span style="border: 1px solid black; padding: 0 2px;">A</span>	+\$268
<b>R39</b>	moss green RAL 6005 <span style="border: 1px solid black; padding: 0 2px;">A</span>	+\$268
<b>R40</b>	steel blue RAL 5011 <span style="border: 1px solid black; padding: 0 2px;">A</span>	+\$268

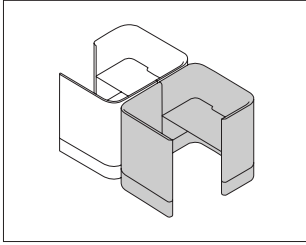
Step 6. Surface Finish

<b>BRC</b>	black MFMDf top with reverse chamfer edge <span style="border: 1px solid black; padding: 0 2px;">A</span>	+\$0
<b>BSE</b>	black MFMDf top with edge band <span style="border: 1px solid black; padding: 0 2px;">A</span>	+\$0
<b>OKE</b>	oak veneer top with edge band <span style="border: 1px solid black; padding: 0 2px;">A</span>	+\$200
<b>OKR</b>	oak veneer top with reverse chamfer edge <span style="border: 1px solid black; padding: 0 2px;">A</span>	+\$200
<b>Q23</b>	4123 nero forbo lino top with reverse chamfer edge <span style="border: 1px solid black; padding: 0 2px;">A</span>	+\$525
<b>Q32</b>	4132 ash forbo lino top with reverse chamfer edge <span style="border: 1px solid black; padding: 0 2px;">A</span>	+\$525

<b>Q54</b>	4154 Burgundy forbo lino top with reverse chamfer edge <span style="border: 1px solid black; padding: 0 2px;">A</span>	+\$525
<b>Q55</b>	4155 pewter forbo lino top with reverse chamfer edge <span style="border: 1px solid black; padding: 0 2px;">A</span>	+\$525
<b>Q57</b>	4157 Pearl forbo lino top with reverse chamfer edge <span style="border: 1px solid black; padding: 0 2px;">A</span>	+\$525
<b>Q64</b>	4164 Salsa forbo lino top with reverse chamfer edge <span style="border: 1px solid black; padding: 0 2px;">A</span>	+\$525
<b>Q66</b>	4166 charcoal forbo lino top with reverse chamfer edge <span style="border: 1px solid black; padding: 0 2px;">A</span>	+\$525
<b>Q72</b>	4172 mauve forbo lino top with reverse chamfer edge <span style="border: 1px solid black; padding: 0 2px;">A</span>	+\$525
<b>Q74</b>	4174 Conifer forbo lino top with reverse chamfer edge <span style="border: 1px solid black; padding: 0 2px;">A</span>	+\$525
<b>Q75</b>	4175 pebble forbo lino top with reverse chamfer edge <span style="border: 1px solid black; padding: 0 2px;">A</span>	+\$525
<b>Q76</b>	4176 mushroom forbo lino top with reverse chamfer edge <span style="border: 1px solid black; padding: 0 2px;">A</span>	+\$525
<b>Q77</b>	4177 Vapour forbo lino top with reverse chamfer edge <span style="border: 1px solid black; padding: 0 2px;">A</span>	+\$525
<b>Q78</b>	4178 Iron forbo lino top with reverse chamfer edge <span style="border: 1px solid black; padding: 0 2px;">A</span>	+\$525
<b>Q79</b>	4179 Smokey Blue forbo lino top with reverse chamfer edge <span style="border: 1px solid black; padding: 0 2px;">A</span>	+\$525
<b>Q80</b>	4180 Aquavert forbo lino top with reverse chamfer edge <span style="border: 1px solid black; padding: 0 2px;">A</span>	+\$525
<b>Q81</b>	4181 Midnight Blue forbo lino top with reverse chamfer edge <span style="border: 1px solid black; padding: 0 2px;">A</span>	+\$525
<b>Q82</b>	4182 Spring Green forbo lino top with reverse chamfer edge <span style="border: 1px solid black; padding: 0 2px;">A</span>	+\$525
<b>Q83</b>	4183 Pistachio forbo lino top with reverse chamfer edge <span style="border: 1px solid black; padding: 0 2px;">A</span>	+\$525
<b>Q84</b>	4184 Olive forbo lino top with reverse chamfer edge <span style="border: 1px solid black; padding: 0 2px;">A</span>	+\$525
<b>Q85</b>	4185 Powder forbo lino top with reverse chamfer edge <span style="border: 1px solid black; padding: 0 2px;">A</span>	+\$525
<b>Q86</b>	4186 Orange Blast forbo lino top with reverse chamfer edge <span style="border: 1px solid black; padding: 0 2px;">A</span>	+\$525
<b>WLE</b>	walnut veneer top with edge band <span style="border: 1px solid black; padding: 0 2px;">A</span>	+\$200
<b>WLR</b>	walnut veneer top with reverse chamfer edge <span style="border: 1px solid black; padding: 0 2px;">A</span>	+\$200
<b>WRC</b>	white MFMDf top with reverse chamfer edge <span style="border: 1px solid black; padding: 0 2px;">A</span>	+\$0
<b>WSE</b>	white MFMDf top with edge band <span style="border: 1px solid black; padding: 0 2px;">A</span>	+\$0

Step 7. Cutout

<b>OCS</b>	no cutout <span style="border: 1px solid black; padding: 0 2px;">A</span>	+\$0
------------	---	------



**Product Information**

**Description**

The Pullman desk and desk pod are upholstered over a plywood inner frame topped with high quality foams. Pullman can be upholstered in a single fabric or multiple fabrics. Desk is specified with an upholstered plinth base. Desktop is CNC cut from white or black melamine-faced medium-density fiberboard, oak or walnut veneer, or forbo lino.

**Notes**

Desktop comes with scoop cutout at center rear of unit for mounting monitor arms and power options (ordered separately).

Scoop cutout is 19.7" wide by 2" deep.

MFMDf and veneer desktops are 1" thick.

Forbo lino desktops are 1.08" thick.

Nominal dimensions rounded to the nearest 1/2 inch.

Type	Width	Depth	Height
D00	51	28	51
DPL	51	63	51
DPR	51	63	51

Customer's Own Material (COM) requires the following yardage:

Type	Total	Upper Outer	Plinth
D00	11	8½	2½
DPL	18	15	3
DPR	18	15	3

**Specification Information**

**Step 1.**

**NOPUL** [A]

**Step 2. Type**

**D00** desk 1200 [A]

**DPL** desk pod 1200 - access left [A]

**DPR** desk pod 1200 - access right [A]

**Step 3. Upholstery**

**1** single fabric [A]

**2** multiple fabrics [A]

**Prices for Steps 1-3.**

		<b>1</b>	<b>2</b>
<b>NOPUL</b>	<b>D00</b>	\$6616	6879
	<b>DPL</b>	\$10376	10724
	<b>DPR</b>	\$10376	10724

**Step 4. Surface Finish**

<b>BRC</b>	black MFMDf top with reverse chamfer edge [A]	+\$0
<b>BSE</b>	black MFMDf with edge band [A]	+\$0
<b>WRC</b>	white MFMDf top with reverse chamfer edge [A]	+\$0
<b>WSE</b>	white MFMDf with edge band [A]	+\$0
<b>OKR</b>	oak veneer top with reverse chamfer edge [A]	+\$150
<b>OKE</b>	oak veneer top with edge band [A]	+\$150
<b>WLR</b>	walnut veneer top with reverse chamfer edge [A]	+\$150
<b>WLE</b>	walnut veneer top with edge band [A]	+\$150
<b>Q23</b>	4023 nero forbo lino top with reverse chamfer edge [A]	+\$0
<b>Q32</b>	4132 ash forbo lino top with reverse chamfer edge [A]	+\$1115
<b>Q55</b>	4155 pewter forbo lino top with reverse chamfer edge [A]	+\$1115
<b>Q66</b>	4166 charcoal forbo lino top with reverse chamfer edge [A]	+\$1115
<b>Q72</b>	4172 mauve forbo lino top with reverse chamfer edge [A]	+\$1115
<b>Q75</b>	4175 pebble forbo lino top with reverse chamfer edge [A]	+\$1115
<b>Q76</b>	4176 mushroom forbo lino top with reverse chamfer edge [A]	+\$1115
<b>Q79</b>	4179 smokey blue forbo lino top with reverse chamfer edge [A]	+\$1115

Step 5. Fabric

*For desk 1200 (D00) with single fabric (1)*

Price Category (NaughtOne) 0 <input type="checkbox"/>	+\$0
Price Category (NaughtOne) 1	+\$0
Price Category (NaughtOne) 2	+\$279
Price Category (NaughtOne) 3	+\$560
Price Category (NaughtOne) 4	+\$838
Price Category (NaughtOne) 5	+\$1400
Price Category (NaughtOne) 6	+\$1959
Price Category (NaughtOne) 7	+\$2519
Price Category (NaughtOne) 9	+\$3638

*For desk pod 1200 - access left (DPL) or desk pod 1200 - access right (DPR) with single fabric (1)*

Price Category (NaughtOne) 0 <input type="checkbox"/>	+\$0
Price Category (NaughtOne) 1	+\$0
Price Category (NaughtOne) 2	+\$499
Price Category (NaughtOne) 3	+\$998
Price Category (NaughtOne) 4	+\$1498
Price Category (NaughtOne) 5	+\$2498
Price Category (NaughtOne) 6	+\$3499
Price Category (NaughtOne) 7	+\$4499
Price Category (NaughtOne) 9	+\$6500

Step 6. Upper Outer Fabric

*For desk 1200 (D00) with multiple fabrics (2)*

Price Category (NaughtOne) 0 <input type="checkbox"/>	+\$0
Price Category (NaughtOne) 1	+\$0
Price Category (NaughtOne) 2	+\$219
Price Category (NaughtOne) 3	+\$441
Price Category (NaughtOne) 4	+\$661
Price Category (NaughtOne) 5	+\$1104
Price Category (NaughtOne) 6	+\$1545
Price Category (NaughtOne) 7	+\$1986
Price Category (NaughtOne) 9	+\$2869

*For desk pod 1200 - access left (DPL) or desk pod 1200 - access right (DPR) with multiple fabrics (2)*

Price Category (NaughtOne) 0 <input type="checkbox"/>	+\$0
Price Category (NaughtOne) 1	+\$0
Price Category (NaughtOne) 2	+\$416
Price Category (NaughtOne) 3	+\$832
Price Category (NaughtOne) 4	+\$1248
Price Category (NaughtOne) 5	+\$2082
Price Category (NaughtOne) 6	+\$2915
Price Category (NaughtOne) 7	+\$3749
Price Category (NaughtOne) 9	+\$5416

Step 7. Plinth Fabric

*For desk 1200 (D00) with multiple fabrics (2)*

Price Category (NaughtOne) 0 <input type="checkbox"/>	+\$0
Price Category (NaughtOne) 1	+\$227
Price Category (NaughtOne) 2	+\$361
Price Category (NaughtOne) 3	+\$495
Price Category (NaughtOne) 4	+\$628
Price Category (NaughtOne) 5	+\$896
Price Category (NaughtOne) 6	+\$1165
Price Category (NaughtOne) 7	+\$1433
Price Category (NaughtOne) 9	+\$1969

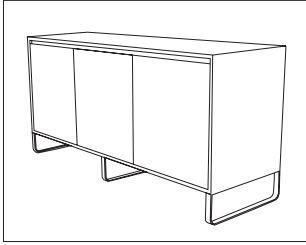
*For desk pod 1200 - access left (DPL) or desk pod 1200 - access right (DPR) with multiple fabrics (2)*

Price Category (NaughtOne) 0 <input type="checkbox"/>	+\$0
Price Category (NaughtOne) 1	+\$302
Price Category (NaughtOne) 2	+\$315
Price Category (NaughtOne) 3	+\$434
Price Category (NaughtOne) 4	+\$553
Price Category (NaughtOne) 5	+\$791
Price Category (NaughtOne) 6	+\$1030
Price Category (NaughtOne) 7	+\$1267
Price Category (NaughtOne) 9	+\$1742









**Product Information**

**Description**

This sideboard is hand constructed from MDF and soft close components. The MDF can be finished with a silk spray lacquer in any RAL color or walnut and oak veneer. Sled base is mild steel finished with polyester powder coat in any RAL color.

**Notes**

Nominal dimensions rounded to the nearest 1/2 inch.

Type	Width	Depth	Height
10	47	19 1/2	29 1/2
20	63	19 1/2	29 1/2
30	79	19 1/2	29 1/2

**Specification Information**

**Step 1.**

**NOSBN**

**Step 2. Type**

- 10** sideboard 1200
- 20** sideboard 1600
- 30** sideboard 2000

**Step 3. Base Type**

- 2** sled base

**Prices for Steps 1-3.**

	<b>2</b>
<b>NOSBN 10</b>	\$10580
<b>20</b>	\$11071
<b>30</b>	\$11184

**Step 4. Unit Finish**

- OAK** oak  +\$0
- R00** black RAL 9005  +\$0
- R02** stone grey RAL 7030  +\$0
- R03** silver - RAL 9006  +\$0
- R08** traffic orange RAL 2009  +\$0
- R13** pastel blue RAL 5024  +\$0
- R14** signal white RAL9003  +\$0
- R23** black grey RAL 7021  +\$0
- R24** leaf green RAL 6002  +\$0
- R25** pale green RAL 6021  +\$0
- R26** RAL 3020 red  +\$0
- R28** light pink RAL 3015  +\$0
- R29** dark blue RAL 5001  +\$0
- R30** oyster RAL 1013  +\$0
- R38** broom yellow RAL 1032  +\$0
- R39** moss green RAL 6005  +\$0
- R40** steel blue RAL 5011  +\$0
- WLN** walnut  +\$0

# Sideboard Storage *continued*

## Step 5. Base Finish

### *For sideboard 1200 (10) with sled base (2)*

<b>R00</b>	black RAL 9005	+\$0
<b>R02</b>	stone grey RAL 7030	+\$0
<b>R03</b>	silver - RAL 9006	+\$0
<b>R08</b>	traffic orange RAL 2009	+\$0
<b>R13</b>	pastel blue RAL 5024	+\$0
<b>R14</b>	signal white RAL9003	+\$0
<b>R23</b>	black grey RAL 7021	+\$0
<b>R24</b>	leaf green RAL 6002	+\$0
<b>R25</b>	pale green RAL 6021	+\$0
<b>R26</b>	RAL 3020 red	+\$0
<b>R28</b>	light pink RAL 3015	+\$0
<b>R29</b>	dark blue RAL 5001	+\$0
<b>R30</b>	oyster RAL 1013 <span style="border: 1px solid black; padding: 0 2px;">A</span>	+\$0
<b>R38</b>	broom yellow RAL 1032 <span style="border: 1px solid black; padding: 0 2px;">A</span>	+\$0
<b>R39</b>	moss green RAL 6005 <span style="border: 1px solid black; padding: 0 2px;">A</span>	+\$0
<b>R40</b>	steel blue RAL 5011 <span style="border: 1px solid black; padding: 0 2px;">A</span>	+\$0

### *For sideboard 1600 (20) with sled base (2)*

<b>R00</b>	black RAL 9005	+\$0
<b>R02</b>	stone grey RAL 7030	+\$0
<b>R03</b>	silver - RAL 9006	+\$0
<b>R08</b>	traffic orange RAL 2009	+\$0
<b>R13</b>	pastel blue RAL 5024	+\$0
<b>R14</b>	signal white RAL9003	+\$0
<b>R23</b>	black grey RAL 7021	+\$0
<b>R24</b>	leaf green RAL 6002	+\$0
<b>R25</b>	pale green RAL 6021	+\$0
<b>R26</b>	RAL 3020 red	+\$0
<b>R28</b>	light pink RAL 3015	+\$0
<b>R29</b>	dark blue RAL 5001	+\$0
<b>R30</b>	oyster RAL 1013 <span style="border: 1px solid black; padding: 0 2px;">A</span>	+\$0
<b>R38</b>	broom yellow RAL 1032 <span style="border: 1px solid black; padding: 0 2px;">A</span>	+\$0
<b>R39</b>	moss green RAL 6005 <span style="border: 1px solid black; padding: 0 2px;">A</span>	+\$0
<b>R40</b>	steel blue RAL 5011 <span style="border: 1px solid black; padding: 0 2px;">A</span>	+\$0

### *For sideboard 2000 (30) with sled base (2)*

<b>R00</b>	black RAL 9005	+\$0
<b>R02</b>	stone grey RAL 7030	+\$0
<b>R03</b>	silver - RAL 9006	+\$0
<b>R08</b>	traffic orange RAL 2009	+\$0
<b>R13</b>	pastel blue RAL 5024	+\$0
<b>R14</b>	signal white RAL9003	+\$0
<b>R23</b>	black grey RAL 7021	+\$0
<b>R24</b>	leaf green RAL 6002	+\$0
<b>R25</b>	pale green RAL 6021	+\$0
<b>R26</b>	RAL 3020 red	+\$0
<b>R28</b>	light pink RAL 3015	+\$0
<b>R29</b>	dark blue RAL 5001	+\$0
<b>R30</b>	oyster RAL 1013 <span style="border: 1px solid black; padding: 0 2px;">A</span>	+\$0
<b>R38</b>	broom yellow RAL 1032 <span style="border: 1px solid black; padding: 0 2px;">A</span>	+\$0
<b>R39</b>	moss green RAL 6005 <span style="border: 1px solid black; padding: 0 2px;">A</span>	+\$0
<b>R40</b>	steel blue RAL 5011 <span style="border: 1px solid black; padding: 0 2px;">A</span>	+\$0

## Step 6. Surface Finish

### *For sideboard 1200 (10)*

<b>G00</b>	black RAL 9005 back painted glass <span style="border: 1px solid black; padding: 0 2px;">A</span>	+\$1409
<b>G02</b>	stone grey RAL 7030 back painted glass <span style="border: 1px solid black; padding: 0 2px;">A</span>	+\$1409
<b>G03</b>	silver - RAL 9006 back painted glass <span style="border: 1px solid black; padding: 0 2px;">A</span>	+\$1409
<b>G08</b>	traffic orange RAL 2009 back painted glass <span style="border: 1px solid black; padding: 0 2px;">A</span>	+\$1409
<b>G13</b>	pastel blue RAL 5024 back painted glass <span style="border: 1px solid black; padding: 0 2px;">A</span>	+\$1409
<b>G14</b>	signal white RAL9003 back painted glass <span style="border: 1px solid black; padding: 0 2px;">A</span>	+\$1409
<b>G23</b>	black grey RAL 7021 back painted glass <span style="border: 1px solid black; padding: 0 2px;">A</span>	+\$1409
<b>G24</b>	leaf green RAL 6002 back painted glass <span style="border: 1px solid black; padding: 0 2px;">A</span>	+\$1409
<b>G25</b>	pale green RAL 6021 back painted glass <span style="border: 1px solid black; padding: 0 2px;">A</span>	+\$1409
<b>G26</b>	traffic red RAL 3020 back painted glass <span style="border: 1px solid black; padding: 0 2px;">A</span>	+\$1409
<b>G28</b>	light pink RAL 3015 back painted glass <span style="border: 1px solid black; padding: 0 2px;">A</span>	+\$1409
<b>G29</b>	dark blue RAL 5001 back painted glass <span style="border: 1px solid black; padding: 0 2px;">A</span>	+\$1409
<b>G30</b>	oyster RAL 1013 back painted glass <span style="border: 1px solid black; padding: 0 2px;">A</span>	+\$1409
<b>G38</b>	broom yellow RAL 1032 back painted glass <span style="border: 1px solid black; padding: 0 2px;">A</span>	+\$1409
<b>G39</b>	moss green RAL 6005 back painted glass <span style="border: 1px solid black; padding: 0 2px;">A</span>	+\$1409
<b>G40</b>	steel blue RAL 5011 back painted glass <span style="border: 1px solid black; padding: 0 2px;">A</span>	+\$1409
<b>NAS</b>	no additional surface <span style="border: 1px solid black; padding: 0 2px;">A</span>	+\$0
<b>OAK</b>	oak <span style="border: 1px solid black; padding: 0 2px;">A</span>	+\$1409
<b>WLN</b>	walnut <span style="border: 1px solid black; padding: 0 2px;">A</span>	+\$1409
<b>WML</b>	white marble <span style="border: 1px solid black; padding: 0 2px;">A</span>	+\$1468

## Sideboard Storage *continued*

---

*For sideboard 1600 (20)*

<b>G00</b>	black RAL 9005 back painted glass <input type="checkbox"/>	+\$1503
<b>G02</b>	stone grey RAL 7030 back painted glass <input type="checkbox"/>	+\$1503
<b>G03</b>	silver - RAL 9006 back painted glass <input type="checkbox"/>	+\$1503
<b>G08</b>	traffic orange RAL 2009 back painted glass <input type="checkbox"/>	+\$1503
<b>G13</b>	pastel blue RAL 5024 back painted glass <input type="checkbox"/>	+\$1503
<b>G14</b>	white reverse painted glass 9003 <input type="checkbox"/>	+\$1503
<b>G23</b>	black grey RAL 7021 back painted glass <input type="checkbox"/>	+\$1503
<b>G24</b>	leaf green RAL 6002 back painted glass <input type="checkbox"/>	+\$1503
<b>G25</b>	pale green RAL 6021 back painted glass <input type="checkbox"/>	+\$1503
<b>G26</b>	traffic red RAL 3020 back painted glass <input type="checkbox"/>	+\$1503
<b>G28</b>	light pink RAL 3015 back painted glass <input type="checkbox"/>	+\$1503
<b>G29</b>	dark blue RAL 5001 back painted glass <input type="checkbox"/>	+\$1503
<b>G30</b>	oyster RAL 1013 back painted glass <input type="checkbox"/>	+\$1503
<b>G38</b>	broom yellow RAL 1032 back painted glass <input type="checkbox"/>	+\$1503
<b>G39</b>	moss green RAL 6005 back painted glass <input type="checkbox"/>	+\$1503
<b>G40</b>	steel blue RAL 5011 back painted glass <input type="checkbox"/>	+\$1503
<b>NAS</b>	no additional surface <input type="checkbox"/>	+\$0
<b>OAK</b>	oak <input type="checkbox"/>	+\$1503
<b>WLN</b>	walnut <input type="checkbox"/>	+\$1503
<b>WML</b>	white marble <input type="checkbox"/>	+\$1846

---

*For sideboard 2000 (30)*

<b>G00</b>	black RAL 9005 back painted glass <input type="checkbox"/>	+\$1598
<b>G02</b>	stone grey RAL 7030 back painted glass <input type="checkbox"/>	+\$1598
<b>G03</b>	silver - RAL 9006 back painted glass <input type="checkbox"/>	+\$1598
<b>G08</b>	traffic orange RAL 2009 back painted glass <input type="checkbox"/>	+\$1598
<b>G13</b>	pastel blue RAL 5024 back painted glass <input type="checkbox"/>	+\$1598
<b>G14</b>	white reverse painted glass 9003 <input type="checkbox"/>	+\$1598
<b>G23</b>	black grey RAL 7021 back painted glass <input type="checkbox"/>	+\$1598
<b>G24</b>	leaf green RAL 6002 back painted glass <input type="checkbox"/>	+\$1598
<b>G25</b>	pale green RAL 6021 back painted glass <input type="checkbox"/>	+\$1598
<b>G26</b>	traffic red RAL 3020 back painted glass <input type="checkbox"/>	+\$1598
<b>G28</b>	light pink RAL 3015 back painted glass <input type="checkbox"/>	+\$1598
<b>G29</b>	dark blue RAL 5001 back painted glass <input type="checkbox"/>	+\$1598
<b>G30</b>	oyster RAL 1013 back painted glass <input type="checkbox"/>	+\$1598
<b>G38</b>	broom yellow RAL 1032 back painted glass <input type="checkbox"/>	+\$1598
<b>G39</b>	moss green RAL 6005 back painted glass <input type="checkbox"/>	+\$1598
<b>G40</b>	steel blue RAL 5011 back painted glass <input type="checkbox"/>	+\$1598
<b>NAS</b>	no additional surface <input type="checkbox"/>	+\$0
<b>OAK</b>	oak <input type="checkbox"/>	+\$1598
<b>WLN</b>	walnut <input type="checkbox"/>	+\$1598
<b>WML</b>	white marble <input type="checkbox"/>	+\$2471

---

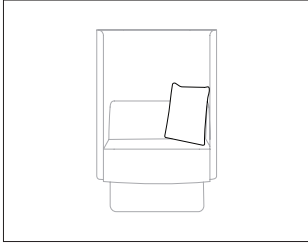
Step 7. Ventilation Option

<b>WOV</b>	without vents <input type="checkbox"/>	+\$0
<b>WVN</b>	with vents <input type="checkbox"/>	+\$0







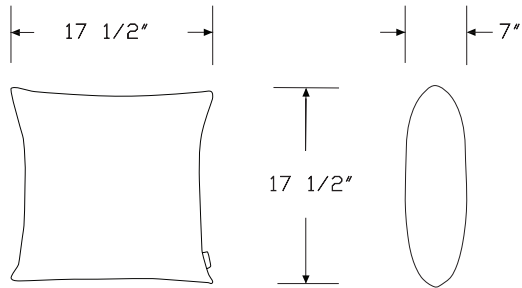


**Product Information**

**Description**

This loose scatter cushion is filled with 100% polyester fiber and covered with a neatly tailored and removable cover in a variety of fabrics.

**Dimensions**



**Specification Information**

**Step 1.**

**NOCUS** [A]

**Step 2. Type**

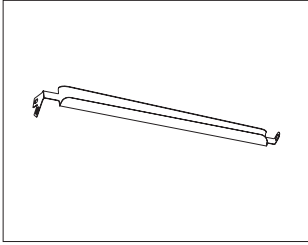
**1** 450mm<sup>2</sup> (17.5") [A]

**Prices for Steps 1-2.**

**NOCUS 1** \$321

**Step 3. Fabric**

Price Category (NaughtOne) 0 [A]	+\$0
Price Category (NaughtOne) 1	+\$0
Price Category (NaughtOne) 2	+\$15
Price Category (NaughtOne) 3	+\$28
Price Category (NaughtOne) 4	+\$43
Price Category (NaughtOne) 5	+\$71
Price Category (NaughtOne) 6	+\$99
Price Category (NaughtOne) 7	+\$127



NaughtOne® Accessories

**Product Information**

**Description**

This leg cap is made from mild steel. The 1-piece frame is finished in polyester powder coat.

**Notes**

Specify finish to match table frame finish.

Nominal dimensions rounded to the nearest 1/2 inch.

Type	Width	Depth	Height
100	3	1	22
200	3	1	29 1/2

**Specification Information**

**Step 1.**

**NOFAN**

**Step 2. Type**

- 100** cable managed leg 750h tables
- 200** cable managed leg 1000h tables

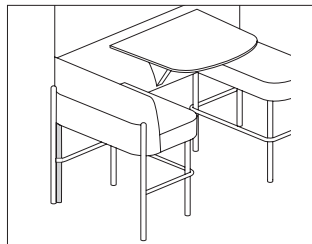
**Prices for Steps 1-2.**

<b>NOFAN</b>	<b>100</b>	\$317
	<b>200</b>	\$317

**Step 3. Base Finish**

<b>R00</b>	black RAL 9005 <input type="checkbox"/>	+\$0
<b>R02</b>	stone grey RAL 7030 <input type="checkbox"/>	+\$0
<b>R03</b>	silver - RAL 9006 <input type="checkbox"/>	+\$0
<b>R08</b>	traffic orange RAL 2009 <input type="checkbox"/>	+\$0
<b>R13</b>	pastel blue RAL 5024 <input type="checkbox"/>	+\$0
<b>R14</b>	signal white RAL9003 <input type="checkbox"/>	+\$0
<b>R23</b>	black grey RAL 7021 <input type="checkbox"/>	+\$0
<b>R24</b>	leaf green RAL 6002 <input type="checkbox"/>	+\$0
<b>R25</b>	pale green RAL 6021 <input type="checkbox"/>	+\$0
<b>R26</b>	RAL 3020 red <input type="checkbox"/>	+\$0
<b>R28</b>	light pink RAL 3015 <input type="checkbox"/>	+\$0
<b>R29</b>	dark blue RAL 5001 <input type="checkbox"/>	+\$0
<b>R30</b>	oyster RAL 1013 <input type="checkbox"/>	+\$0
<b>R38</b>	broom yellow RAL 1032 <input type="checkbox"/>	+\$0
<b>R39</b>	moss green RAL 6005 <input type="checkbox"/>	+\$0
<b>R40</b>	steel blue RAL 5011 <input type="checkbox"/>	+\$0





**Product Information**

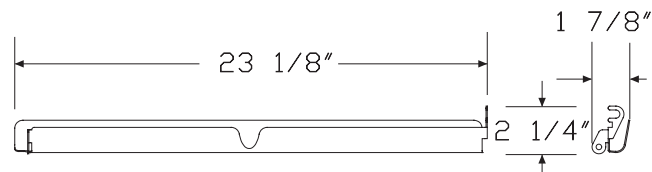
**Description**

This cable leg cap is made from mild steel finished in a polyester powdercoat. Leg cap is used to guide power cables from the seat frame to the floor for Hue Booth products.

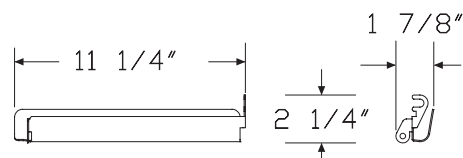
**Notes**

- Ensure that correct leg cap type is specified for booth height:
- For standard-height booths (NOHES01, NOHES02), specify NOHESCLC01.
  - For bar-height booths (NOHES03, NOHES04), specify NOHESCLC03.

**Dimensions**



For bar height booth



For standard height booth

**Specification Information**

**Step 1.**

**NOHES**

**Step 2. Type**

**CLC01** hue cable leg cap for standard height booth

**CLC03** hue cable leg cap for bar height booth

**Prices for Steps 1-2.**

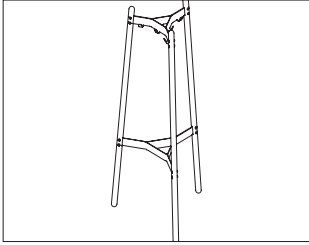
<b>NOHES</b>	<b>CLC01</b>	\$316
	<b>CLC03</b>	\$316

**Step 3. Base Finish**

<b>R00</b>	black RAL 9005 <input type="checkbox"/>	+\$0
<b>R02</b>	stone grey RAL 7030 <input type="checkbox"/>	+\$0
<b>R03</b>	silver - RAL 9006 <input type="checkbox"/>	+\$0
<b>R08</b>	traffic orange RAL 2009 <input type="checkbox"/>	+\$0
<b>R13</b>	pastel blue RAL 5024 <input type="checkbox"/>	+\$0
<b>R14</b>	signal white RAL9003 <input type="checkbox"/>	+\$0
<b>R23</b>	black grey RAL 7021 <input type="checkbox"/>	+\$0
<b>R24</b>	leaf green RAL 6002 <input type="checkbox"/>	+\$0
<b>R25</b>	pale green RAL 6021 <input type="checkbox"/>	+\$0
<b>R26</b>	RAL 3020 red <input type="checkbox"/>	+\$0
<b>R28</b>	light pink RAL 3015 <input type="checkbox"/>	+\$0
<b>R29</b>	dark blue RAL 5001 <input type="checkbox"/>	+\$0
<b>R30</b>	oyster RAL 1013 <input type="checkbox"/>	+\$0
<b>R38</b>	broom yellow RAL 1032 <input type="checkbox"/>	+\$0
<b>R39</b>	moss green RAL 6005 <input type="checkbox"/>	+\$0
<b>R40</b>	steel blue RAL 5011 <input type="checkbox"/>	+\$0

Hudson Coat Stand

NOHUD



NaughtOne® Accessories

**Product Information**

**Description**

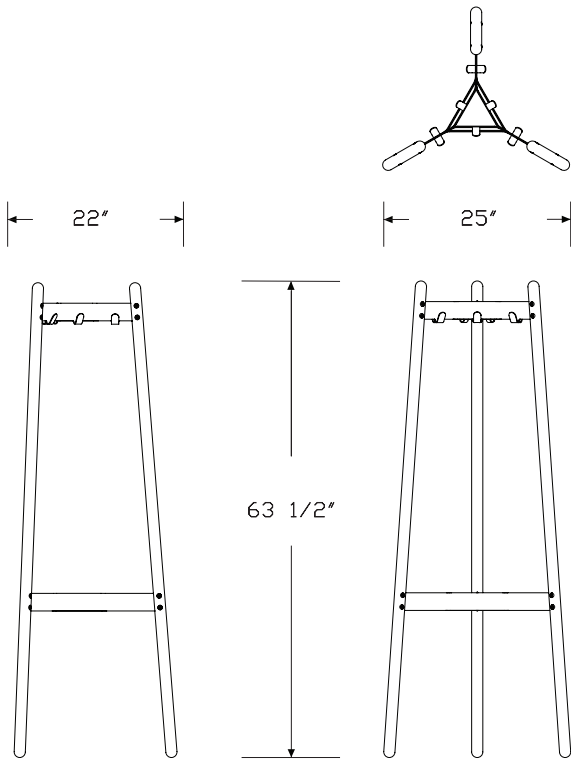
This coat stand has hardwood dowel legs held together with folded steel rails that are finished with polyester powder coat.

**Notes**

Nominal dimensions rounded to the nearest 1/2 inch.

Type	Width	Depth	Height
100	25	22	64

**Dimensions**



**Specification Information**

**Step 1.**

**NOHUD** [A]

**Step 2. Base Type**

**100** coat stand [A]

**Prices for Steps 1-2.**

**NOHUD 100** \$1103

**Step 3. Dowel Finish**

**OAK** oak [A] +\$0

**WAL** walnut [A] +\$219

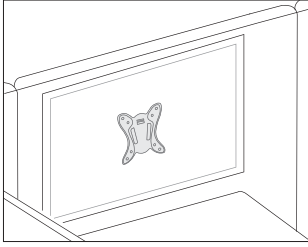
**Step 4. Support Finish**

**R00** black RAL 9005 [A] +\$0

**R14** signal white RAL9003 [A] +\$0

# Pullman TV Mounting Bracket

NOPUL



## Product Information

### Description

This TV mounting bracket is designed specifically for use with the Pullman booth. It attaches to the end of the booth above the table. Monitor not included.

## Specification Information

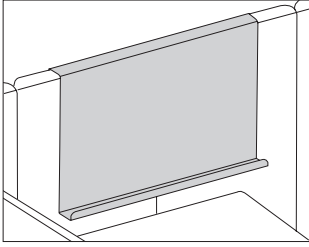
### Step 1.

**NOPULATVB** A

\$80

# Pullman Whiteboard

NOPUL



NaughtOne® Accessories

## Product Information

### Description

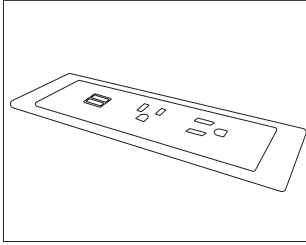
The Pullman whiteboard is designed specifically for use with the Pullman booth. It can be moved around the top edge of the entire Pullman booth.

## Specification Information

### Step 1.

**NOPULAWB** A

\$544



**Product Information**

**Description**

This power unit comes in a combination of power and data options. It sits within a cutout in the table or desktop surface and is powered by a standard cord with plug end.

**Notes**

When specifying power unit, confirm that power unit size matches the corresponding cutout size:

- 3-port unit (D3) requires cutout of 1<sup>5</sup>/<sub>16</sub>" × 6<sup>5</sup>/<sub>16</sub>"
- 4-port unit (D4) requires cutout of 1<sup>5</sup>/<sub>16</sub>" × 7<sup>13</sup>/<sub>16</sub>"
- 5-port unit (D5) requires cutout of 1<sup>5</sup>/<sub>16</sub>" × 9<sup>5</sup>/<sub>16</sub>"

**Specification Information**

**Step 1.**

**NOPWRBYDSM**

**Step 2. Cut-out size**

**D3** 3 Port - 1<sup>5</sup>/<sub>16</sub>" x 6<sup>5</sup>/<sub>16</sub>"

**D4** 4 Port - 1<sup>5</sup>/<sub>16</sub>" x 7<sup>13</sup>/<sub>16</sub>"

**D5** 5 Port - 1<sup>5</sup>/<sub>16</sub>" x 9<sup>5</sup>/<sub>16</sub>"

**Step 3. Power Type**

*For 3 Port - 1<sup>5</sup>/<sub>16</sub>" x 6<sup>5</sup>/<sub>16</sub>" (D3)*

**US10** 2x US Power, 2x USB

*For 4 Port - 1<sup>5</sup>/<sub>16</sub>" x 7<sup>13</sup>/<sub>16</sub>" (D4)*

**US25** 2x US Power, 2x USB (A+C), 1x Open Data Port

**US30** 2x US Power, 2x USB (A+C), 1x HDMI

*For 5 Port - 1<sup>5</sup>/<sub>16</sub>" x 9<sup>5</sup>/<sub>16</sub>" (D5)*

**US35** 3x US Power, 2x USB (A+C), 1x HDMI

**Prices for Steps 1-3.**

		US10	US25	US30	US35
<b>NOPWRBYDSM</b>	<b>D3</b>	\$589	—	—	—
	<b>D4</b>	—	\$589	674	—
	<b>D5</b>	—	—	—	\$694

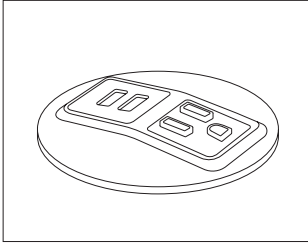
**Step 4. Cable Length**

**10** 10' cable  +\$0

**Step 5. Fascia Colour**

**BK** black  +\$0

**WH** white  +\$0



NaughtOne® Accessories

**Product Information**

**Description**

This power unit comes in a combination of power options. It sits within a cutout in the table or desktop surface and is powered by a standard cord with plug end.

**Notes**

When specifying power unit, confirm that the cutout specified in the corresponding table matches the required 3" diameter.

**Specification Information**

**Step 1.**

**NOPWRBYNODE**  A

**Step 2. Cut-out size**

**BN** 3" diameter cut-out  A

**Step 3. Power Type**

**US50** 2x US Power  A

**US70** 1x US Power, 2x USB (A)  A

**Prices for Steps 1-3.**

	US50	US70
<b>NOPWRBYNODE BN</b>	\$444	363

**Step 4. Cable Length**

**10** 10' cable  A +\$0

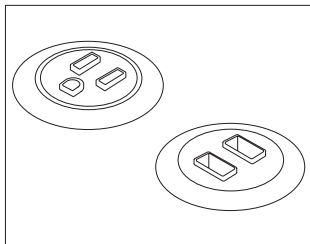
**Step 5. Fascia Colour**

**BK** black  A +\$0

**WH** white  A +\$0

Byrne Salt and Pepper In-Surface Mount

NOPWR



Product Information

Description

These power units come in a combination of power options. They sit within cutouts in the table surface and are powered by a standard cord with plug end.

Notes

When specifying power unit, confirm that each cutout in the corresponding table matches the required 1 3/4" diameter.

Specification Information

Step 1.

**NOPWRBYSLPP**

Step 2. Cut-out size

**SP** 1 3/4" diameter cut-out

Step 3. Power Type

**US03** USB (A+C)

**US04** 1x US Power

Prices for Steps 1-3.

	US03	US04
<b>NOPWRBYSLPP SP</b>	\$327	207

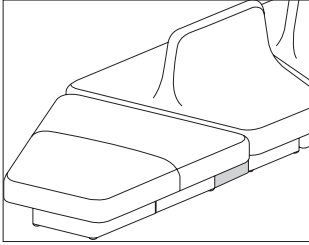
Step 4. Cable Length

**10** 10' cable  +\$0

Step 5. Fascia Colour

**BK** black  +\$0

**WH** white  +\$0



**Product Information**

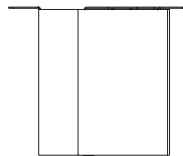
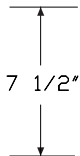
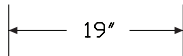
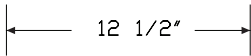
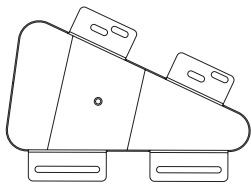
**Description**

This plinth infill panel is laser-cut, folded and welded steel plate with powder coat. It is used to fill the gaps between plinths of Rhyme seating units. Package contains 1 infill panel.

**Notes**

2 infill panels are required to fill gaps between Rhyme seating units.  
 Plinth infill panels are available in all NaughtOne® standard RAL finishes.  
 Specify infill panel finish to match finish of Rhyme seating units.

**Dimensions**



**Specification Information**

**Step 1.**

**NORHN**  A

**Step 2. Type**

**000** Plinth Infill Panel  A

**Prices for Steps 1-2.**

**NORHN 000** \$454

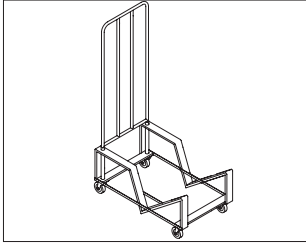
**Step 3. Base Finish**

<b>R00</b>	black RAL 9005 <input type="checkbox"/> A	+ \$0
<b>R02</b>	stone grey RAL 7030 <input type="checkbox"/> A	+ \$0
<b>R03</b>	silver - RAL 9006 <input type="checkbox"/> A	+ \$0
<b>R08</b>	traffic orange RAL 2009 <input type="checkbox"/> A	+ \$0
<b>R13</b>	pastel blue RAL 5024 <input type="checkbox"/> A	+ \$0
<b>R14</b>	signal white RAL9003 <input type="checkbox"/> A	+ \$0
<b>R23</b>	black grey RAL 7021 <input type="checkbox"/> A	+ \$0
<b>R24</b>	leaf green RAL 6002 <input type="checkbox"/> A	+ \$0
<b>R25</b>	pale green RAL 6021 <input type="checkbox"/> A	+ \$0
<b>R26</b>	RAL 3020 red <input type="checkbox"/> A	+ \$0
<b>R28</b>	light pink RAL 3015 <input type="checkbox"/> A	+ \$0
<b>R29</b>	dark blue RAL 5001 <input type="checkbox"/> A	+ \$0
<b>R30</b>	oyster RAL 1013 <input type="checkbox"/> A	+ \$0
<b>R38</b>	broom yellow RAL 1032 <input type="checkbox"/> A	+ \$0
<b>R39</b>	moss green RAL 6005 <input type="checkbox"/> A	+ \$0
<b>R40</b>	steel blue RAL 5011 <input type="checkbox"/> A	+ \$0



# Stacking Chair Cart

NOSCC



## Product Information

### Description

This cart can be used for almost any stackable NaughtOne chair including Polly, Polly Bar/Counter Stool, Bounce, Viv and Viv Bar/Counter Stool.

### Notes

Nominal dimensions rounded to the nearest 1/2 inch.

Type	Width	Depth	Height
100	40	23 1/2	67

## Specification Information

### Step 1.

**NOSCC** A

### Step 2. Base Type

**100** chair cart/trolley A

### Prices for Steps 1-2.

**NOSCC 100** \$1871



# Index by Product Name

<b>NaughtOne® Accessories</b>	
Byrne Dean In-Surface Mount	page(s) 285
Byrne Node In-Surface Mount	286
Byrne Salt and Pepper In-Surface Mount	287
Fold Accessories	280
Hudson Coat Stand	282
Hue Cable Leg Cap	281
Pullman TV Mounting Bracket	283
Pullman Whiteboard	284
Rhyme Plinth Infill	288
Scatter Cushion	279
Stacking Chair Cart	289
<b>NaughtOne® Seating</b>	
Always Barstool	page(s) 94
Always Chair	5
Always Lounge Chair	22
Bounce Chair	10
Construct Stools	96
Ever Lounge Chair	26
Ever Sofa	51
Fiji	28
Fiji Sofa	53
Hatch and Symbol Coffee Table	91
Hatch Single Seat	45, 55
Hatch Three Seat	61
Hatch Two Seat	58
Hue	114
Hue 2 Seat Sofa	64
Hue Cable Leg Cap	116
Hush Chair	32
Hush Low Back Chair	29
Hush Low Back Three Seat Sofa	68
Hush Low Back Two Seat Sofa	66
Hush Three Seat Sofa	71
Hush Two Seat Sofa	69
Lasso 3-Seat Stool	97
Lasso Single Stool	99
Penny Stools	101
Percy Lounge Chair	35
Pinch	93
Pippin Lounge Chair	36
Pippin Replacement Cover	37
Pippin Replacement Strap Handle	38
Polly Chair	11
Polly Stool	102
Polly Wood Chair	14
Polly Wood Stool	104

Pullman Booth	117
Pullman Chair	39
Pullman Chair Pod	42
Pullman Sofa	72
Rhyme Modular Soft Seating	75
Rhyme Plinth Infill	77
Ruby Chair	16
Ruby Stool	108
Ruby Wood Chair	15
Ruby Wood Stool	106
Symbol 45 Degree Curve	89
Symbol 90 Degree Curve	87
Symbol Single Seat	48, 78
Symbol Three Seat	84
Symbol Two Seat	81
Truffle Pouf	113
Viv Chair	18
Viv Stool	110
Viv Wood Chair	21
Viv Wood Stool	112
<b>NaughtOne® Storage</b>	
Sideboard Storage	page(s) 273
<b>NaughtOne® Tables</b>	
Ali Bar Tables	page(s) 234
Ali Café Tables	232
Ali Coffee Tables	123
Dalby Bar Height Tables	243
Dalby Café Tables	236
Dalby Circular Tables	238
Dalby Coffee and Side Tables	125
Dalby Multi-Leg Tables	245
Dalby Rectangular Tables	240
Fold Bar Height Tables	252
Fold Circular Tables	247
Fold Multi-Leg Tables	254
Fold Rectangular Tables	249
Hatch and Symbol Coffee Table	131
Hue Bar Height Table	258
Hue Standard Height Table	257
Knot Tables	127
Morse 31.5" Deep Work Table	147
Morse 31.5" Deep Work Table Configuration	151
Morse 31.5" Deep Work Table Section Corner A	167
Morse 31.5" Deep Work Table Section Middle A	163
Morse 31.5" Deep Work Table Section Starter A	170
Morse 39.5" Deep Meeting Table	174
Morse 47" Deep Meeting Table	182

Index: Product Name

Index by Product Name *continued*

Index: Product Name

Morse 55" Deep Work Table	191
Morse 55" Deep Work Table Configuration	197
Morse 55" Deep WorkTable Section Curve D	215
Morse 55" Deep Work Table Section Leaf End D	225
Morse 55" Deep Work Table Section Middle D	209
Morse 55" Deep Work Table Section Starter D	219
Morse Accessories Book End	142
Morse Accessories Dash Shelf	145
Morse Accessories Divider	146
Morse Accessories Dot Shelf	143
Morse Accessories Dot Tray	144
Morse Bar Height 31.5" Deep Work Table	149
Morse Bar Height 31.5" Deep Work Table Configuration	157
Morse Bar Height 31.5" Deep Work Table Section Middle A	165
Morse Bar Height 31.5" Deep Work Table Section Starter A	172
Morse Bar Height 39.5" Deep Meeting Table	178
Morse Bar Height 47" Deep Meeting Table	186
Morse Bar Height 55" Deep Work Table	194
Morse Bar Height 55" Deep Work Table Configuration	203
Morse Bar Height 55" Deep Work Table Section Middle D	212
Morse Bar Height 55" Deep Work Table Section Starter D	222
Morse Bar Height Circular Table	259
Morse Circular Table	230
Morse Leg Set	228
Morse Table System Dot Power Unit	261
Pullman Desk	269
Riley Table	128
Sweep Coffee Tables	129
Tier Bar Height Tables	267
Tier Café Tables	263
Trace Circle Tables	136
Trace Coffee and Side Tables	133
Tun Coffee and Side Tables	139

# Index by Product Number

NOALI Ali Bar Tables	page(s) 234	NOMSA Morse 31.5" Deep Work Table	147
NOALI Ali Café Tables	232	NOMSA Morse 31.5" Deep Work Table Configuration	151
NOALI Ali Coffee Tables	123	NOMSA Morse 31.5" Deep Work Table Section Corner A	167
NOALN Always Barstool	94	NOMSA Morse 31.5" Deep Work Table Section Middle A	163
NOALN Always Chair	5	NOMSA Morse 31.5" Deep Work Table Section Starter A	170
NOALN Always Lounge Chair	22	NOMSA Morse Bar Height 31.5" Deep Work Table	149
NOBNN Bounce Chair	10	NOMSA Morse Bar Height 31.5" Deep Work Table Configuration	157
NOCSN Construct Stools	96	NOMSA Morse Bar Height 31.5" Deep Work Table Section Middle A	165
NOCUS Scatter Cushion	279	NOMSA Morse Bar Height 31.5" Deep Work Table Section Starter A	172
NODLN Dalby Bar Height Tables	243	NOMSB Morse 39.5" Deep Meeting Table	174
NODLN Dalby Café Tables	236	NOMSB Morse Bar Height 39.5" Deep Meeting Table	178
NODLN Dalby Circular Tables	238	NOMSC Morse 47" Deep Meeting Table	182
NODLN Dalby Coffee and Side Tables	125	NOMSC Morse Bar Height 47" Deep Meeting Table	186
NODLN Dalby Multi-Leg Tables	245	NOMSD Morse 55" Deep Work Table	191
NODLN Dalby Rectangular Tables	240	NOMSD Morse 55" Deep Work Table Configuration	197
NOEVE Ever Lounge Chair	26	NOMSD Morse 55" Deep Work Table Section Curve D	215
NOEVE Ever Sofa	51	NOMSD Morse 55" Deep Work Table Section Middle D	209
NOFAN Fold Accessories	280	NOMSD Morse 55" Deep Work Table Section Starter D	219
NOFIJ Fiji	28	NOMSD Morse Bar Height 55" Deep Work Table	194
NOFJS Fiji Sofa	53	NOMSD Morse Bar Height 55" Deep Work Table Configuration	203
NOFTN Fold Bar Height Tables	252	NOMSD Morse Bar Height 55" Deep Work Table Section Middle D	212
NOFTN Fold Circular Tables	247	NOMSD Morse Bar Height 55" Deep Work Table Section Starter D	222
NOFTN Fold Multi-Leg Tables	254	NOMSL Morse 55" Deep Work Table Section Leaf End D	225
NOFTN Fold Rectangular Tables	249	NOMSL Morse Leg Set	228
NOHAN Hatch Single Seat	45, 55	NOMSO Morse Bar Height Circular Table	259
NOHAN Hatch Three Seat	61	NOMSO Morse Circular Table	230
NOHAN Hatch Two Seat	58	NOMSP Morse Table System Dot Power Unit	261
NOHES Hue	114	NOPEN Penny Stools	101
NOHES Hue 2 Seat Sofa	64	NOPHN Pinch	93
NOHES Hue Bar Height Table	258	NOPIP Pippin Lounge Chair	36
NOHES Hue Cable Leg Cap	116, 281	NOPIP Pippin Replacement Cover	37
NOHES Hue Standard Height Table	257	NOPIP Pippin Replacement Strap Handle	38
NOHUD Hudson Coat Stand	282	NOPLN Polly Chair	11
NOHUN Hush Chair	32	NOPLN Polly Stool	102
NOHUN Hush Low Back Chair	29	NOPRC Percy Lounge Chair	35
NOHUN Hush Low Back Three Seat Sofa	68	NOPUL Pullman Booth	117
NOHUN Hush Low Back Two Seat Sofa	66	NOPUL Pullman Chair	39
NOHUN Hush Three Seat Sofa	71	NOPUL Pullman Chair Pod	42
NOHUN Hush Two Seat Sofa	69	NOPUL Pullman Desk	269
NOKNO Knot Tables	127	NOPUL Pullman Sofa	72
NOLAS Lasso 3-Seat Stool	97	NOPUL Pullman TV Mounting Bracket	283
NOLAS Lasso Single Stool	99	NOPUL Pullman Whiteboard	284
NOMAB Morse Accessories Book End	142	NOPWN Polly Wood Chair	14
NOMAD Morse Accessories Dash Shelf	145	NOPWN Polly Wood Stool	104
NOMAD Morse Accessories Divider	146	NOPWR Byrne Dean In-Surface Mount	285
NOMAD Morse Accessories Dot Shelf	143	NOPWR Byrne Node In-Surface Mount	286
NOMAD Morse Accessories Dot Tray	144	NOPWR Byrne Salt and Pepper In-Surface Mount	287

Index by Product Number *continued*

Index: Product Number

NORBW Ruby Wood Chair	15
NORBW Ruby Wood Stool	106
NORBY Ruby Chair	16
NORBY Ruby Stool	108
NORHN Rhyme Modular Soft Seating	75
NORHN Rhyme Plinth Infill	77, 288
NORLN Riley Table	128
NOSBN Sideboard Storage	273
NOSCC Stacking Chair Cart	289
NOSWP Sweep Coffee Tables	129
NOSYN Hatch and Symbol Coffee Table	91, 131
NOSYN Symbol 45 Degree Curve	89
NOSYN Symbol 90 Degree Curve	87
NOSYN Symbol Single Seat	48, 78
NOSYN Symbol Three Seat	84
NOSYN Symbol Two Seat	81
NOTCN Trace Circle Tables	136
NOTCN Trace Coffee and Side Tables	133
NOTIE Tier Bar Height Tables	267
NOTIE Tier Café Tables	263
NOTRF Truffle Pouf	113
NOTUN Tun Coffee and Side Tables	139
NOVVN Viv Chair	18
NOVVN Viv Stool	110
NOVWN Viv Wood Chair	21
NOVWN Viv Wood Stool	112

---

**Price Category 1**

Camira Mainline Flax  
Maharam Article  
Maharam Lariat  
Maharam Meld  
Maharam Metaphor  
Maharam Mode  
Maharam Muse

---

**Price Category 2**

Camira Blazer  
Herman Miller Terra  
Maharam Manner  
Maharam Merit  
Maharam Messenger  
Maharam Murmur  
Maharam Nico  
Herman Miller Crossing

---

**Price Category 3**

Camira Hemp  
Camira Silk  
Camira Synergy  
Herman Miller Cozy  
Maharam Metric  
Herman Miller Crepe  
Momentum Canter

---

**Price Category 4**

Maharam Beck  
Maharam Compound  
Maharam Instill  
Ultrafabrics Brisa Original  
Ultrafabrics Ultraleather

---

---

**Price Category 5**

Kvadrat Canvas  
Kvadrat Remix  
Maharam Gemma  
Maharam Luce  
Maharam Plait  
Herman Miller Hopsak

---

**Price Category 6**

Maharam Campana  
Kvadrat Steelcut  
Kvadrat Steelcut Trio  
Maharam Brim  
Maharam Gemma Multi  
Maharam Sudden

---

**Price Category 7**

Maharam Pace Leather

---

**Price Category 8**

---

**Price Category 9**

---

For more information about our products and services or to see a list of dealers, please visit us at [HermanMiller.com](http://HermanMiller.com) or call (800) 851 1196.

© 2025 Herman Miller, Inc., Zeeland, Michigan

#### Distribution Rights

Working together since 1956, Herman Miller and Vitra are the authentic sources of designs by Charles and Ray Eames, Alexander Girard, and George Nelson. All the designs shown in this book are protected by law. Herman Miller has obtained all rights to make and sell these designs. Also, Herman Miller holds exclusive worldwide manufacturing and distribution rights for these products with the following exceptions:

Charles and Ray Eames, George Nelson, and Alexander Girard—Worldwide distribution rights for furniture in all areas except Europe and the Middle East. For those areas, please contact Vitra.

Isamu Noguchi—Worldwide distribution rights for the Noguchi Rudder Table. Distribution rights for the Noguchi Table in North America and Central America only. For all other areas, please contact Vitra.

Magis—Exclusive distribution rights in the US and Canada. For all other areas, please contact Magis.

© HermanMiller, 3D Intelligent, 8Z Pellicle, AO, Action Office, Aeron, Aside, Bubble Lamps, Canvas Office Landscape, Caper, Celle, Cosm, Co/Struc, Daisyone, Distil, Eames, Eco-Dematerialized, Embody, Envelop, Ethospace, Exclave, Fine-Tune, FlexFront, Flo, Formcoat, Formwork, Ground Cloth, Intent, Kinemat, Layout Studio, Lino, Live Unframed, Living Office, Maharam, Meridian, Mirra, Motia, Nelson, Pari, Pellicle, Perspectives, Plex, PostureFit, PostureFit SL, Public Office Landscape, Sayl, Setu, Striad, Tu, Ubi, Verus, Wishbone, Y-Tower and Zeph are among the registered trademarks of Herman Miller, Inc., and its owned subsidiaries.

™ About Face, AireWeave, Airia, Ambit, Asari Chair by HermanMiller, Backfit, Bubbletack, Burdick Group, Butterfly Back, Canvas Vista, Cellular Suspension, Commend, Compass, Connect, DOT, Duracare, Durawrap, EnhancedAccess, Everywhere, Flex-Edge, Flute, Harmonic, Headway, Herman Miller Select, Hopsak 2, Iota, Keyless Entry, Latitude, Logic Mini, Logic Power Access Solutions, Lyris, Lyris 2, Made-to-Measure Storage, Mora, Multiscrim, Nevi, OE1, OE1 Workspace Collection, Overlay, Pixelated Support, Pronta, Renew, Sense, Soft Pad, Stackable, Stackable Storage, Swoop, Thrive, Tone, TriFlex, Twist and Wireframe are among the trademarks of Herman Miller, Inc., and its owned subsidiaries.

SM Herman Miller Options is among the service marks of Herman Miller, Inc.

AAP™ is a trademark of Extron Electronics.

Alexander Girard® is a registered trademark of The Alexander Girard Estate.

Chemisur® is a registered trademark of Wilsonart International.

Corian® is a registered trademark of E. I. du Pont de Nemours and Company Corporation.

Crypton® is a registered trademark of Crypton, Inc.

DACRON® is a registered trademark of INVISTA S.a r.l.

Danzer® is a registered trademark of Danzer Holding AG.

Decora® is a registered trademark of Leviton Manufacturing Co., Inc.

Edelman® Leather is a registered trademark of Edelman Leather, Inc.

Extron® is a registered trademark of RGB Systems, Inc.

FENIX NTM® is a registered trademark of Arpa Industriale S.p.A.

FLEXNET™ is a trademark of Milliken & Company.

Floor Saver Glide® is a registered trademark of Carpin Manufacturing, Inc.

Forest Stewardship Council® is a registered trademark of the Forest Stewardship Council A.C. (FSC). We are FSC® certified (FSC® C102895).

FSC® is a registered trademark of the Forest Stewardship Council A.C. (FSC).

Geiger® is a registered trademark, and Bumper™, Saiba™, and Ward Bennett™ are trademarks, of Geiger International.

Hang-It-All® is a registered trademark of Lucia Eames Demetrios, d.b.a. Eames Office.

Holophane® is a registered trademark of Holophane.

Ingeo™ is a trademark of Cargill Dow LLC.

iPad® and Mac mini® are registered trademarks of Apple Inc.

Leviton® is a registered trademark of Leviton Manufacturing Co., Inc.

LifeSize® is a registered trademark of LifeSize Communications, Inc.

Lisocore® is a registered trademark of Pyrus Panels GmbH.

Logitech G® is a registered trademark of Logitech International S.A.

Magis®, Bombo®, and Me Too® are registered trademarks of Magis S.p.A.

MicrobeCare™ is a trademark of Parasol Medical LLC.

Microsoft® and Natural® Keyboard are registered trademarks of Microsoft Corporation.

Noguchi® and the Noguchi table configuration (trade dress) are registered trademarks, and Rudder Table™ is a trademark, of The Isamu Noguchi Foundation and Garden Museum.

Place Textiles® is a registered trademark of Place Textiles.

Sunbrella® is a registered trademark of Glen Raven, Inc.

SuperSeat™ is a trademark of Dahti Seating, a division of ITW.

Valor™ is among the trademarks owned by Nemschoff, Inc.