

# Elite

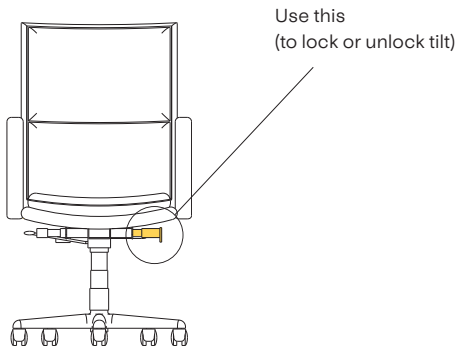
**KEILHAUER**

1450 Birchmount Road, Toronto, Ontario, Canada M1P 2E3  
tel 416 759 5665 fax 416 759 5723 1 800 724 5665  
[www.keilhauer.com](http://www.keilhauer.com)





## 1. Tilting Adjustment (Swivel Knee Tilt -5)



The tilting of the chair is controlled by the lever located under the left side of the chair near the front of the seat.

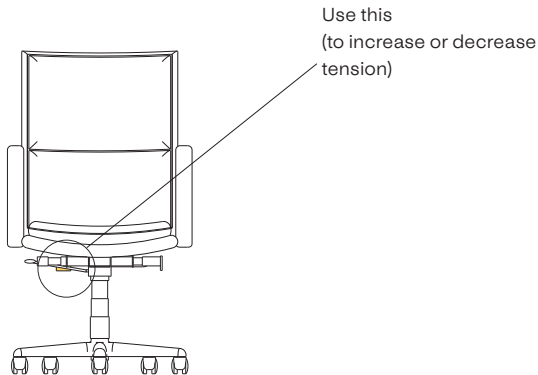
**To lock** the tilting mechanism (upright position only) lean slightly forward in the chair and push the lever in or to the right.

**To unlock** the tilting mechanism pull the level out to the left.

These adjustments can be made while seated.



## 2. Tension Adjustment



The tilting tension is controlled by the circular knob under the right side of the seat near the rear.

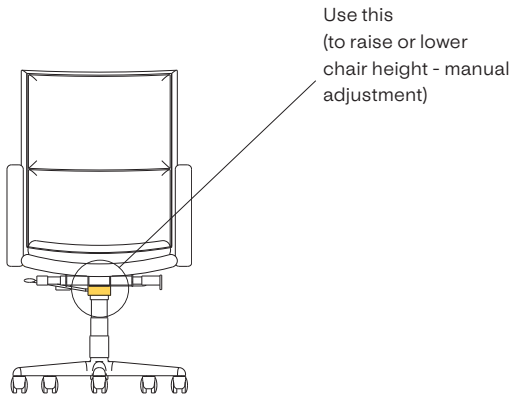
**To increase** the tension turn the knob counter clockwise.

**To decrease** the tension turn the knob clockwise.

The adjustment can be made while seated although some may find it easier to stand in front of the chair.



### 3. Height Adjustment (Manual adjustment)



The height of the chair is adjusted manually by an upright threaded column located between the 5 leg base and the chair.

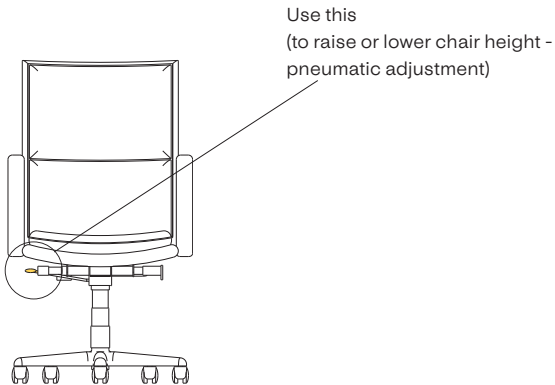
**To raise** the chair height, turn the oversize cap on the column clockwise.

**To lower** the chair height, turn the cap counter clockwise.

These adjustments must be made while out of the chair.



#### 4. Height Adjustment (Pneumatic adjustment)



The height of the chair is adjusted by the paddle located under the right side of the seat near the front.

**To raise** the chair height lift your weight slightly out of the chair while pulling the handle upwards.

**To lower** the chair remain seated and pull the paddle upwards. Release the paddle when the desired height is reached whether raising or lowering the chair.



