

# KEILHAUER

## Tools Required

5/32" Hex Allen Key

Phillips head screw driver



## Hardware Included

1/4-20" x 1"  
Socket head cap  
screw (x4)



8-15 x 5/8"  
Pan head wood  
screw (x4)



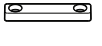
6-0 x 5/8"  
Pan head wood  
screw (x8)



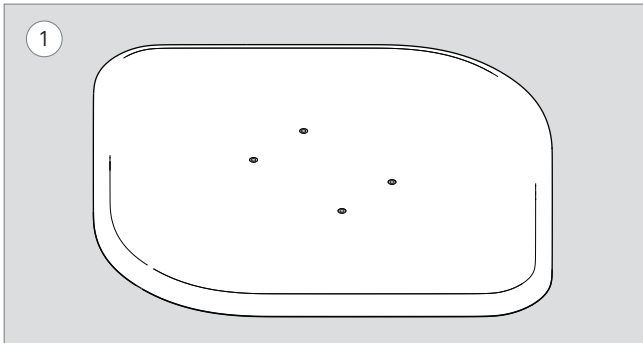
Flat washer  
(x4)



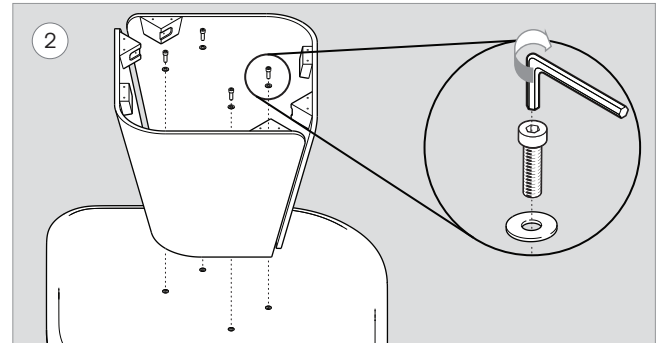
Glide  
(x4)



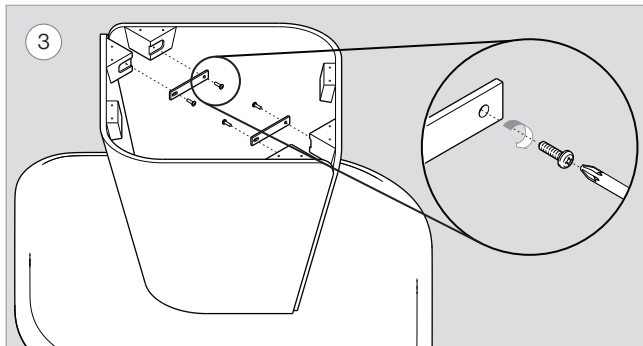
## Fold Table Assembly Instructions



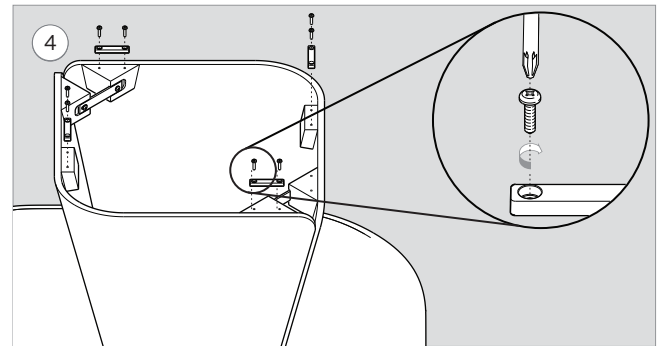
Place the table top upside down on a blanket.



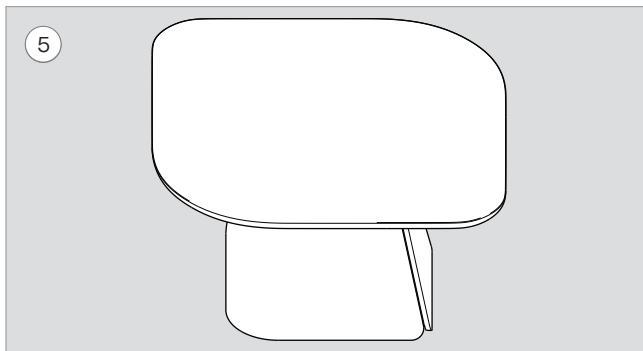
Using the 5/32" hex key, install the base frames to the table top with 1/4-20 x 1" socket head cap screw (x4) and flat washer (x4).



Using the Phillips head screw driver, install the clamp plates to the bottom base cleats using 8-15 x 5/8" pan head wood screw (x4)



Using the Phillips head screw driver, install the glides (x4) to the bottom of the table using 6-0 x 5/8" pan head wood screw (x8).



Place assembled table in its final position.