

1/8" Hex Allen Key
5/32" Hex Allen Key



Hardware Included

1/4-20 x 5/8"
Button head cap
screw (x4)



1/4"
Flat washer
(x4)



Glide
(x4)



10-24 Flat head
machine screw
(x12)



10-24 x 1/2"
Button head cap
screw (x4)

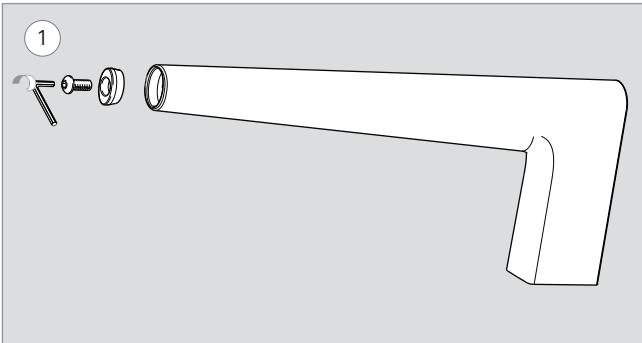


1/4" Set Screw
(x16)

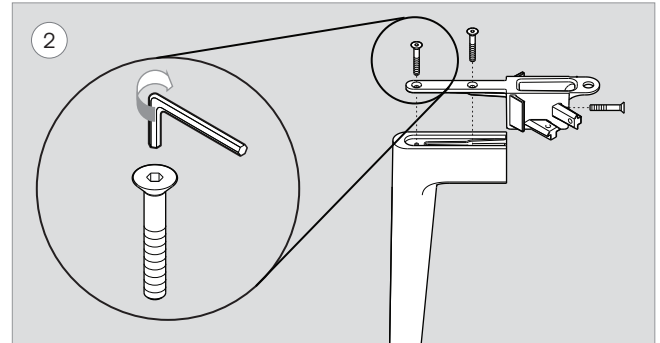


Symm Metal Table

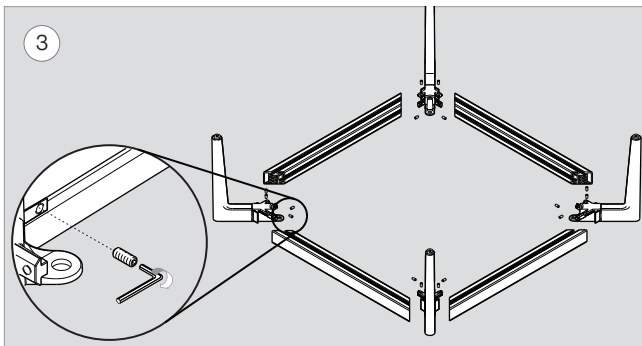
Assembly Instructions



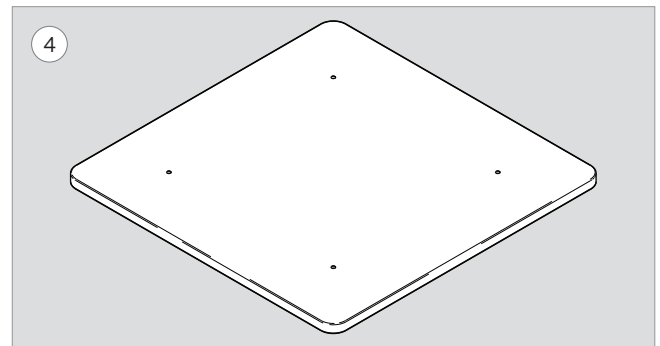
Using the 1/8" hex key, fasten the glide (x4) to the metal leg using the 10-24 x 1/2" button head cap screw (x4).



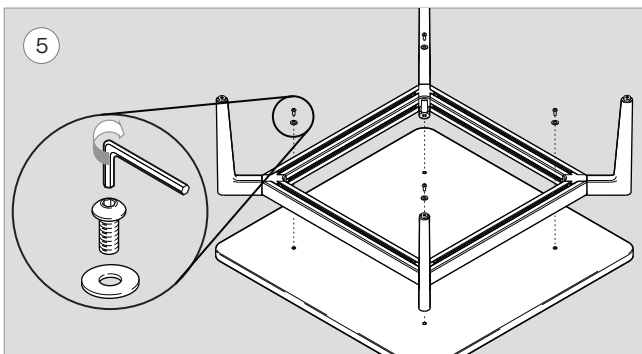
Using the 1/8" hex key, fasten the table mount to the metal leg with the 10-24 flat head machine screw (x12).



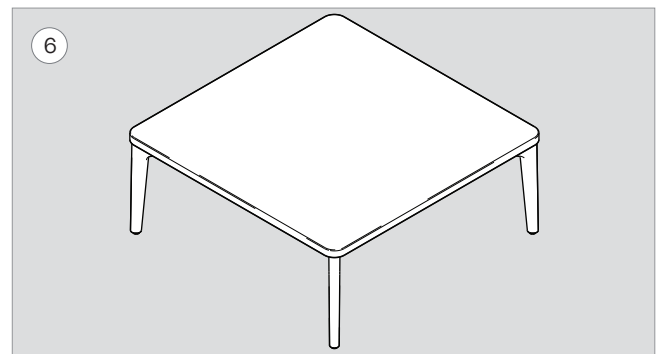
Using the 1/8" hex key, fasten the wood leg sub assembly to the aluminum extrusion with the 1/4" set screw (x16).



Place the table top upside down on a blanket.



Using the 5/32" hex key, fasten the base sub assembly to the table top with with 1/4-20 x 5/8" button head cap screw (x4) and flat washer (x4).



Proceed to flip the table and place into its final position.

KEILHAUER

Tools Required

1/8" Hex Allen Key
5/32" Hex Allen Key

Robertson
Head
Screwdriver

Hammer



Hardware Included

1/4-20 x 5/8"
Button head cap
screw (x4)

1/4"
Flat washer
(x4)

Glide
(x4)

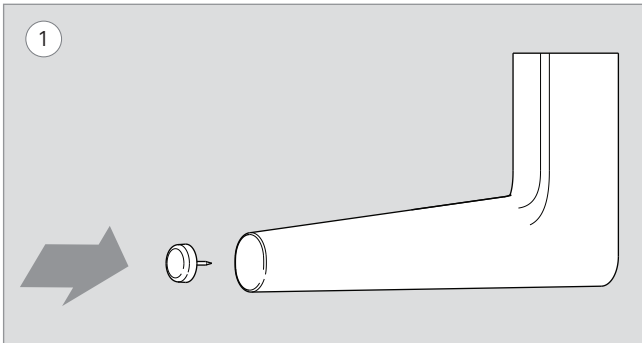
#10 x 2" Screw
(x4)

#10 x 1 1/4" Screw
(x8)

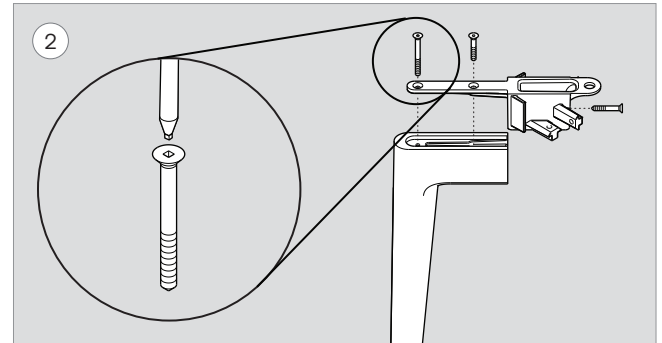
1/4" Set Screw
(x16)



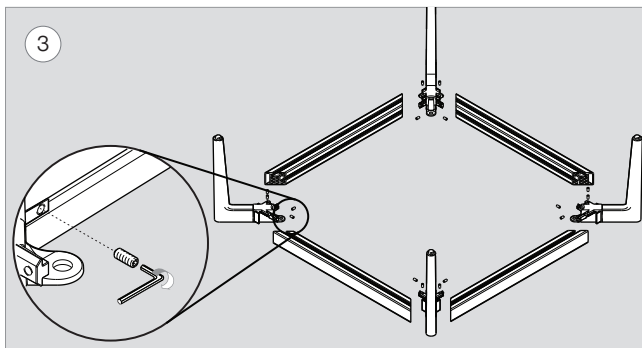
Symm Wood Table Assembly Instructions



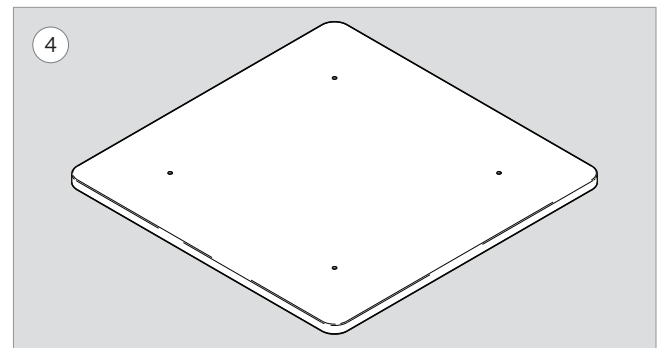
Using the hammer, install the glide (x4) in to the bottom of the wood leg.



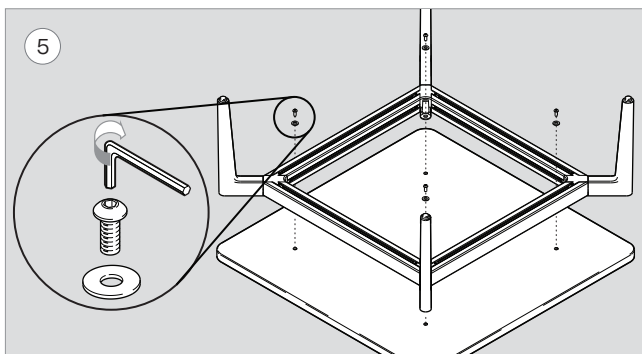
Using the Robertson head screwdriver, fasten the table mount to the wood leg with the #10 x 2" (x4) and #10 x 1 1/4" (x8) wood screws.



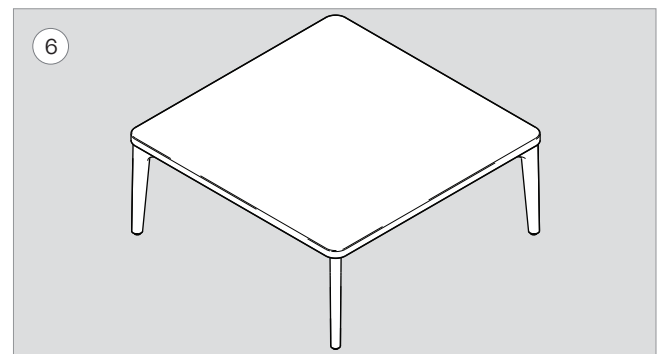
Using the 1/8" hex key, fasten the wood leg sub assembly to the aluminum extrusion with the 1/4" set screw (x16).



Place the table top upside down on a blanket.



Using the 5/32" hex key, fasten the base sub assembly to the table top with with 1/4-20 x 5/8" button head cap screw (x4) and flat washer (x4).



Proceed to flip the table and place into its final position.