

KEILHAUER

Tool Required

3/16" Hex Allen Key

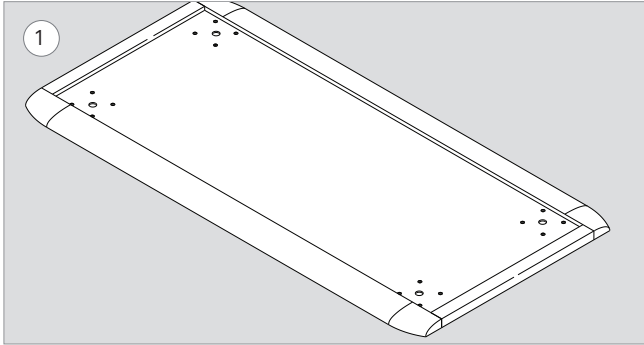
Hardware Included

1/4-20 x 7/8"
Socket head cap screw
(x16)

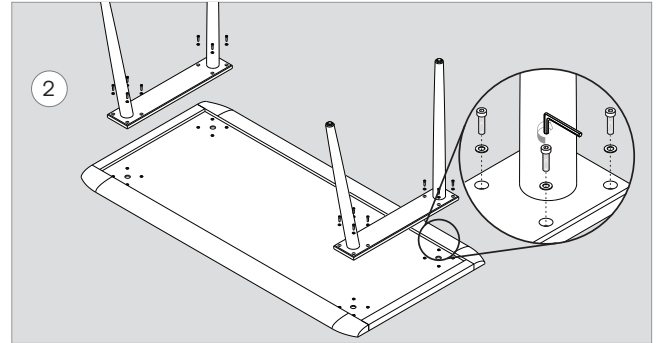
1/4" Flat washer
(x16)



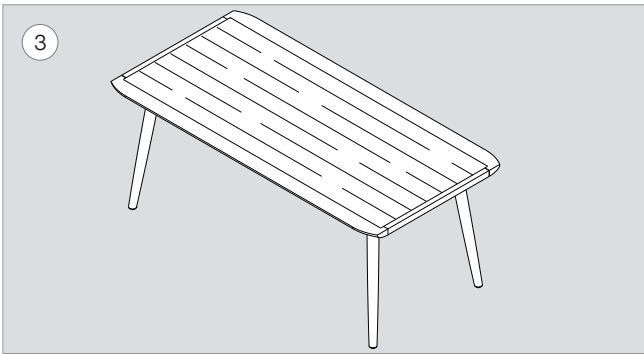
Wunder Table Assembly Instructions



Place the table top upside down on a blanket.



Using the 3/16" hex key, fasten the leg sub assembly (x2) with 1/4 - 20 x 7/8" socket head cap screw (x16) and 1/4" flat washer (x16).



Proceed to flip the table top into its final position.