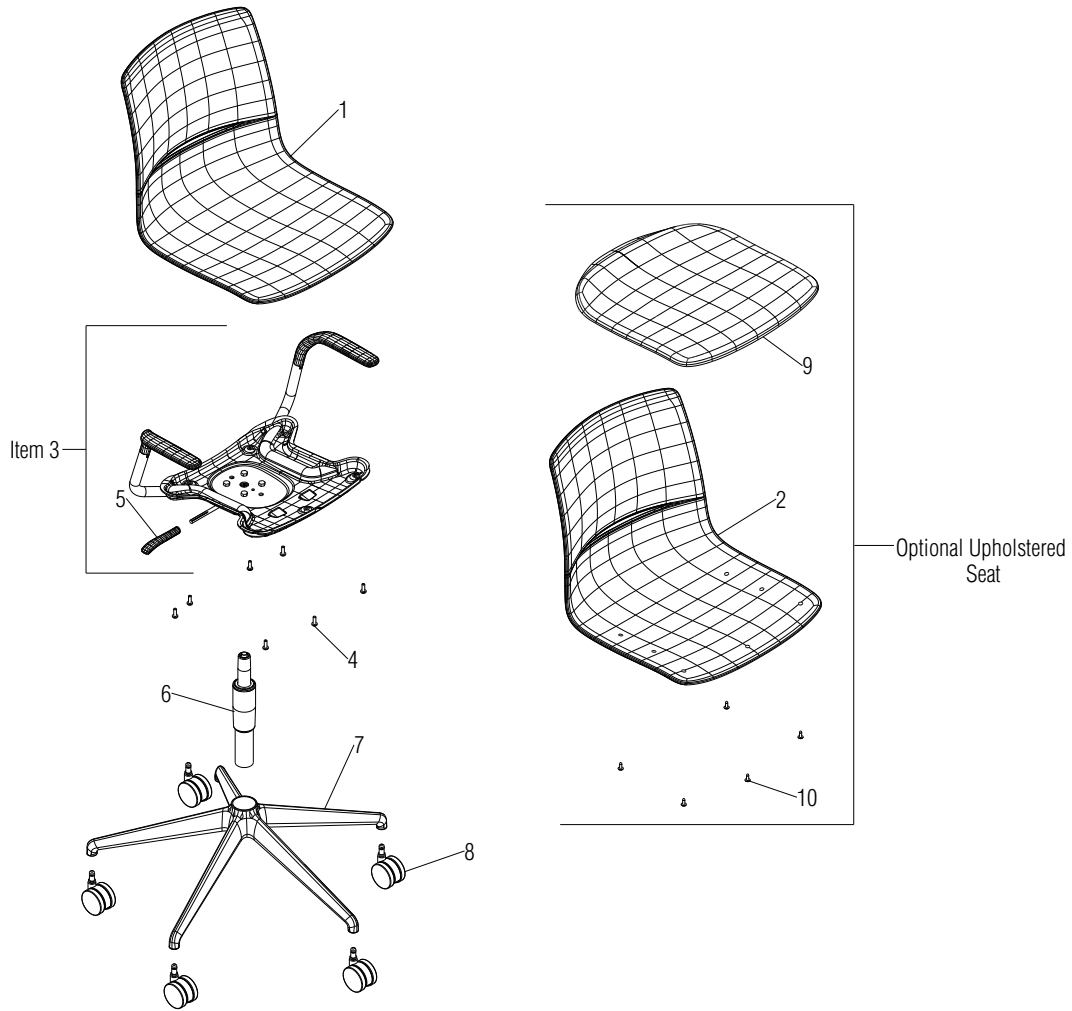


Parts Diagram

LimeLite™ Seating
Task Armchair (Models LL51 & LL52)

December 2023



.XX = Select Color
Item 3 includes Item 5.

Item	Part Number	Item Description	Req Qty
1	46.6401.XX.X	Shell, Poly Seat and Back One Piece	1
2	46.6401.XX.U.X	Shell, Uph. Seat and Poly Back One Piece	1
3	LLRF	Assembly, LimeLite Seat Support (see note)	1
4	12.0011.X	Screw, M6 x 18mm Phillips Pan Head BosScrew	7
5	46.6416.XX.X	Handle, Task Chair Height Adjust	1
6	15.1103.X	Cylinder, Black Pneumatic Height Adjustment	1
	15.1104.XX.X	Cylinder, Pneumatic Height Adjustment	1
7	46.6411.XX.X	Base, 27" 5-Blade Black Plastic	1
	46.6410.XX.X	Base, 27" 5-Blade Aluminum	1
8	09.0441.XX.X	Caster, Dual Surface	5
9	LLRSC	Seat, Upholstered	1
10	12.0511.X	Screw, #10-16 x 5/8" Phillips Truss Head	5

