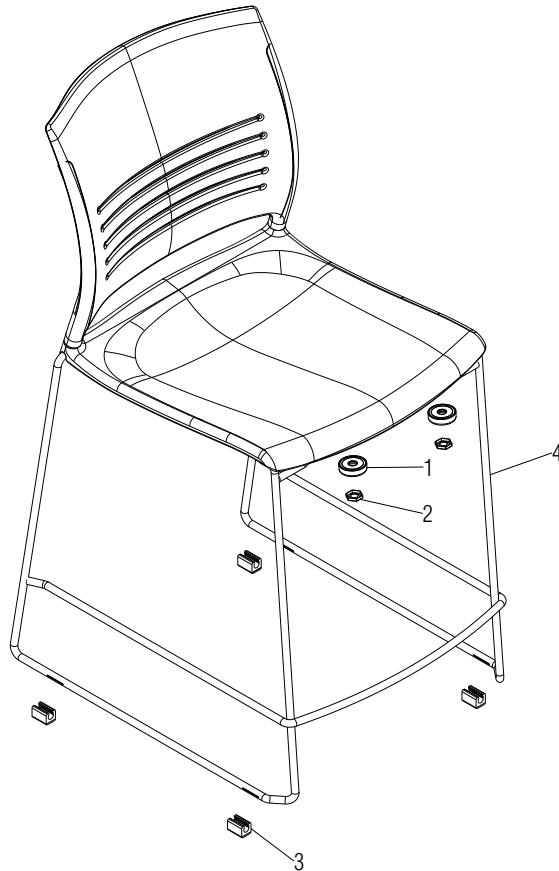


Parts Diagram ■

Strive® High-Density Stack Stool
Armless Stool with Polypropylene Seat

July 2023



See Parts Diagram document KI-PD-000218 "Glide Options & Frame Identification" for glide replacement.
Item 4 is a replacement stool frame that includes all parts (seat/back/frame are not servicable)

Item	Part Number	Item Description	Req Qty
1	46.5112.X	Bumper, Stack	2
2	12.0712.X	Pal Nut, 1/2-13	2
3	N/A	Glide, Replacement (see note)	4
4	SWRFP	Replacement Stool Frame, Poly Seat & Back	1

