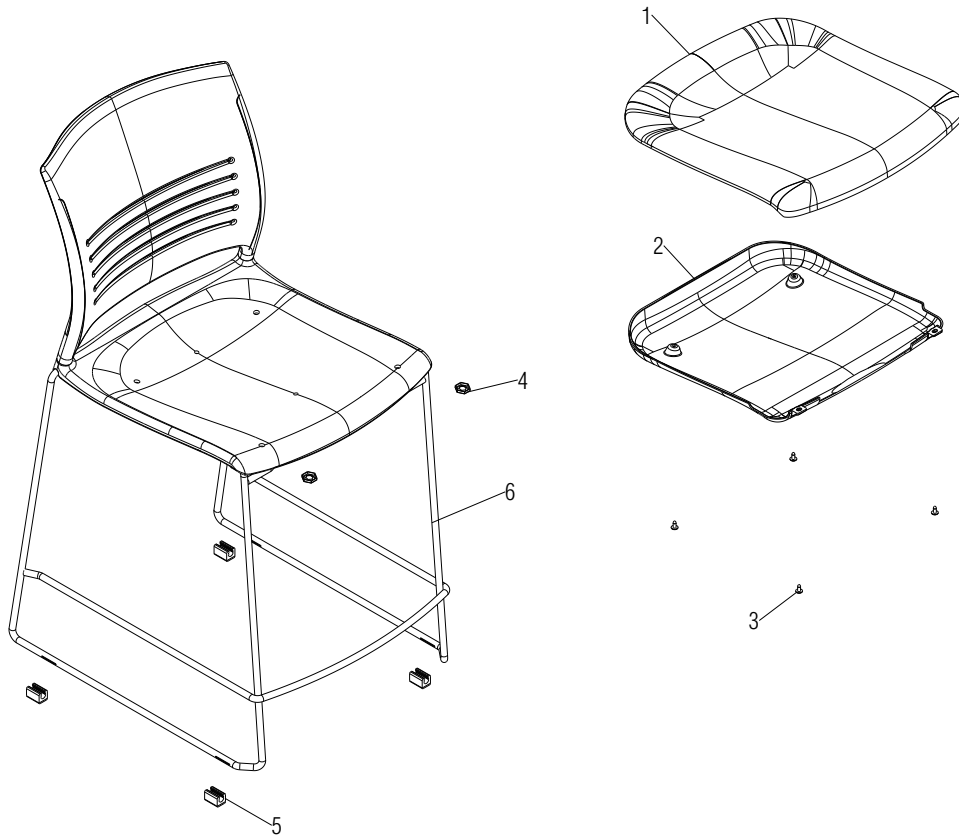


Parts Diagram ■

Strive® High-Density Stack Stool
Armless Stool with Upholstered Seat

July 2023



See Parts Diagram document KI-PD-000218 "Glide Options & Frame Identification" for glide replacement. Item 6 is a replacement chair frame that includes all parts (seat/back/frame are not servicable)

Item	Part Number	Item Description	Req Qty
1	SWRSC	Cushion, Upholstered Seat	1
2	46.5453.BL.X	Bumper Shroud, Stack Stool	1
3	12.0055.CZ.X	Screw, Upholstered Seat & Bumper Attachment	4
4	12.0712.X	Pal Nut, 1/2-13	2
5	N/A	Glide, Replacement (see note)	4
6	SWRFU	Replacement Stool Frame, Uph. Seat & Poly Back	1

