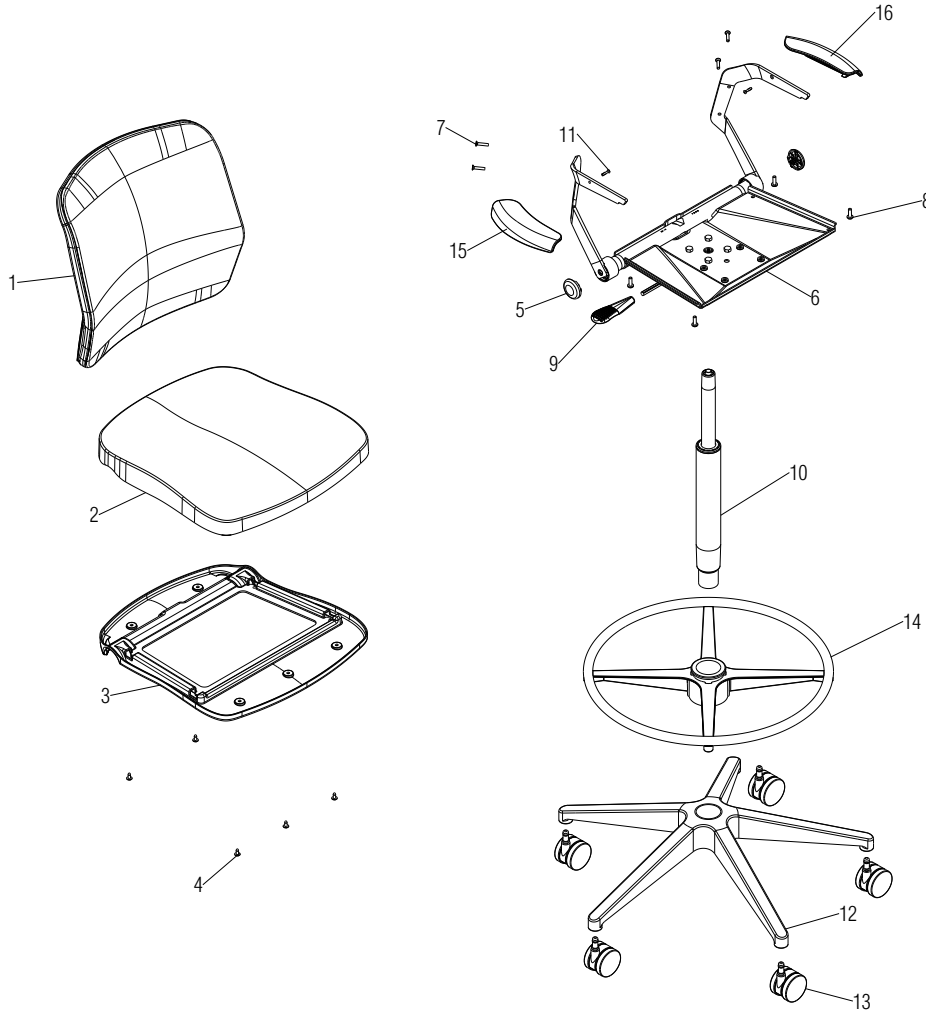


Parts Diagram

Torsion Air® Seating
Task Stool with Arms

October 2024



.XX = Select Color

TARC ordered with or without shroud. With shroud includes Items 3 & 4. Without shroud is just TARC.

Item	Part Number	Item Description	Req Qty	Item	Part Number	Item Description	Req Qty
1	46.3333.XXMH.X	Assembly, Backrest	1	10	15.1002.X	Cylinder, Height Adjustment	1
2	TARC	Seat Cushion, Upholstered (see note)	1	11	12.0696.TR.X	Screw, #8 x 5/8" TX OV HD T-B BLK OX	2
3	46.3347.BL.X	Shroud, Pedestal Seat	1	12	46.2995.BL.X	Base, 5-Blade Plastic (black)	1
4	12.0055.CZ.X	Screw, #10-16 x 1/2 PTH Type AB T/F BLK ZC	5		SIFT.015.X	Base, 5-Blade Polished Aluminum	1
5	PT.06.7012.BL.X	Cap, Back Support	2	13	09.0440.BL.X	Caster, 60mm Diameter Carpet (black only)	5
6	TARF	Replacement Frame, Torsion Air (includes Item 5)	1		09.0441.BL.X	Caster, 60mm Diameter Hard Floor (black only)	5
7	12.9017.X	Screw, M5 x 25mm A2 SS FSHCS BL OX with Patch	4	14	15.0120	Foot Ring, Stool 20" Twist-to-Lock	1
8	12.0011.X	Screw, M6 x 18 PPH "BosScrew"	4	15	46.3338.R.BL.X	Cap, Arm, Right	1
9	PT.06.6040.BL.X	Handle, Pedestal	1	16	46.3338.L.BL.X	Cap, Arm, Left	1

