



STOUTTM TABLES

PRICE LIST

EFFECTIVE APRIL 2, 2025
800.424.2432



Stout™ Tables	
Technical Specifications	3
Product Color Options	10

Stout™ Rectangle (Freight Excluded)	
Fixed 29" Height	11
Fixed 36" Height	14
Fixed 40" Height	17
Adjustable 27-40" Height	20
Accessories	23

Stout™ Rectangle (Delivered)	
Fixed 29" Height	24
Fixed 36" Height	27
Fixed 40" Height	30
Adjustable 27-40" Height	33
Accessories	36



TECHNICAL SPECIFICATIONS

Table Frames

All table frames are shipped K.D. (knocked-down) and require assembly in the field.

Fixed-Height Frames

Table support framework consists of a pair of leg weldments made from 14-gauge cold-rolled steel square tubing. Each leg weldment consists of two 2¹/₄" square post legs, a 1³/₄" square horizontal crossbeam, and post brackets formed from 11-gauge steel. Apron weldments of 14-gauge steel and corner brackets of 11-gauge steel span underneath the worksurface and connect the legs using 1/4"-20 screws. Larger tables will include a center stringer which is also made from 14-gauge square tubing. Tops are secured to frames using # 12 x 3/4" screws. Fixed-height tables are available in three heights: 29", 36", and 40" high with glides or casters.

*Table height is determined using standard laminate worksurface.

Adjustable-Height Frames

Adjustable-height tables are similar in construction to fixed-height but include a set of inner legs and adjustment allowing for a height range* of 27"-40" in 1" increments. Each leg's height is maintained with two 1/4"-20 screws.

*Table height range is determined using standard laminate worksurface.

Worksurface

Laminate Worksurface

Laminate worksurfaces are nominal 1/4" thickness, with particleboard core, .030" thick high-pressure laminate top surface and .028" phenolic backer (bottom surface). Worksurfaces include 2 mm poly, edge banding (74P) for tamper and moisture resistance. All tops are pre-drilled for installation atop the table frame, as well as for attaching optional power modules and bag hooks at the job site.

Phenolic Resin Worksurface

Solid phenolic worksurface is a 1" thick, self-supporting flat panel composed of thermosetting resins, homogeneously reinforced with cellulose fibers and manufactured under high heat and pressure. The worksurface has a pigmented resin, decorative surface that is electron-beam cured. All tops are pre-drilled for installation atop the table frame, as well as optional power modules and bag hooks at the job site.

Butcher Block Wood Worksurface

Hard Rock Maple wood butcher block worksurface is 1³/₄" thick and flat edge grain construction. Full-length strips are randomly placed and finished with clear, semi-gloss Varnique finish. All tops are pre-drilled for installation atop the table frame, as well as optional power modules and bag hooks at the job site.

Stainless Steel Worksurface

Stainless steel worksurfaces are a nominal 1/2" thickness. Worksurfaces are constructed of heavy-duty, 16-gauge high-nickel content, type-300 steel with #4 polish surface. Stainless steel top edges and vertical corners have a 1/4" radius and overlay a 1³/₈" thick particleboard core containing a melamine underside backing with caulk seal between the particleboard and steel edge. Stainless steel tops are NSF certified for compliance with NSF/ANSI 2 food equipment standards. All worksurface undersides are pre-drilled for installation atop the Stout table frame, as well as pre-drilled for installation of undersurface power modules and bag hooks at the job site.

Casters or Glides

Glides are an available option for all tables. Casters are an available option for all tables except tables 24" deep.

TECHNICAL SPECIFICATIONS

Casters or Glides (cont.)

Casters

Caster wheel diameter is 4" (100 mm), and the installed caster overall height is approximately 5³/₈". Wheel is constructed of grey, non-marking thermoplastic with wheel surface having a 1/4" wide tread. Caster wheels are locking on each table leg and install using a 1/2"-13 threaded stem into the bottom of the table leg. Caster units each contain a double ball bearing swivel head and housing made of pressed steel, bright zinc plated. Casters are installed tight into the bottom of the leg and are not height adjustable.

Glides

Glides are black nylon, overmolded on a steel insert for strength and have a smooth surface for mobility. Glide overall diameter is 2¹/₂" and installs into the bottom of the table leg using a 1/2"-13 threaded stem, providing for approximately 1" of adjustment range to accommodate uneven floors.

Pegboard End Panels (optional)

Pegboard end panels are formed from 16-gauge cold-rolled steel and must be specified when ordering leg weldments, as they are welded in place to the leg set and are powder-coat painted together at the factory. Holes with an industry-standard diameter size of 9/32" are spaced 1" on-center both horizontally and vertically to accommodate both KI and off-the-shelf pegboard components. Pegboard end panels are 6" tall and are positioned 3" below the top horizontal cross beam of the side leg weldments. Pegboards can be specified to be on one or both leg weldments of a table.

Footrests (optional)

Footrest weldments are constructed of 14-gauge, 1³/₄" cold rolled steel square tubing and are powder-coat painted. Mounting brackets under the footrest attach it between table legs using thread-forming screws, allowing for easy installation or removal. Footrest options are single, dual, or dual with shelf. The shelf option is only available with the dual footrest option. The shelf is made from 14-gauge steel and is powder-coat painted. The shelf is suspended in place between the dual footrest tubes using lower mounting brackets. The footrest height is 10" from the top of the footrest to the floor.

Dean® Undersurface Power Modules (optional)

Stout tables can be specified with one or two Dean Undersurface power modules. The Dean Undersurface power module consists of two simplex receptacles (rated at 15 amps/125 volts), one USB-A port and one USB-C port, 2 amps per port. The modules are 5¹/₂" wide by 1⁷/₈" tall by 2¹/₂" deep and have a smooth molded plastic faceplate with an anodized aluminum housing. Color options are Black, Cottonwood, Cool Grey, and Warm Gray. Modules come standard with either 9' or 15' cord with a 3-prong plug. A worksurface bracket will ship with every module to allow installation of the modules along any edge of the table. Dean undersurface power module is rated at 15 amps/120 volts and is UL listed.

Horizontal and vertical wire management components are included with each module. Horizontal wire management consists of hook and ladder style, cord holders that secure to the underside of the table worksurfaces. Vertical wire management consists of adhesive-back extruded aluminum channels that are powder-coat painted to match leg finish and are adhered to leg columns. Vertical wire management channels are 16" tall for adjustable-height tables and 29" fixed-height tables, and are 23" tall for 36" and 40" fixed-height tables.

Bag Hooks (optional)

Two bag hook options are available, either for mounting under the worksurface, or for mounting to the pegboard end panel. Each bag hook is made from 14-gauge steel, is powder-coat painted and is field installed. The undersurface bag hook fastens underneath the top using two # 12 x 3/4" Phillips pan head screws to pre-drilled holes under the worksurface. The pegboard bag hook installs to the pegboard end panel using two # 10 x 3/8" screws and nuts. The quantity of undersurface bag hooks provided when ordering a table is determined by table size (two per 24" and 30" deep tables, four per 36", 42" and 48" deep tables). Pegboard bag hooks are ordered separately as accessories.

Finish

Table frames are offered in numerous powder-coat colors. Powder-coat application is a hybrid epoxy, baked on to provide a scratch and stain resistant finish. If pegboards, single footrests, or dual footrests are specified, they will be the same color as the table.

Compliance

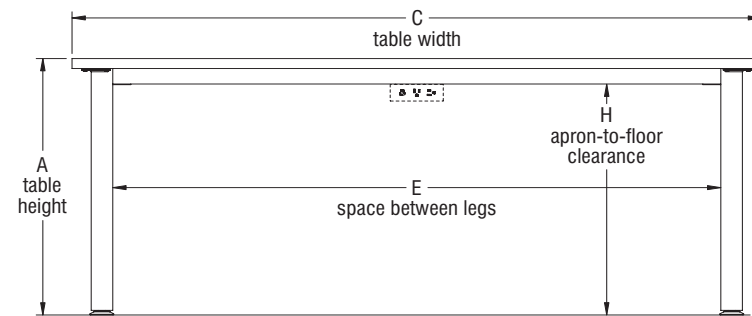
Stout tables meet or exceed ANSI/BIFMA X5.5-2021.



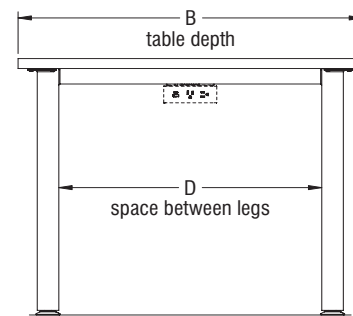
DIMENSIONS

Stout 29" Fixed-Height Tables with Glides

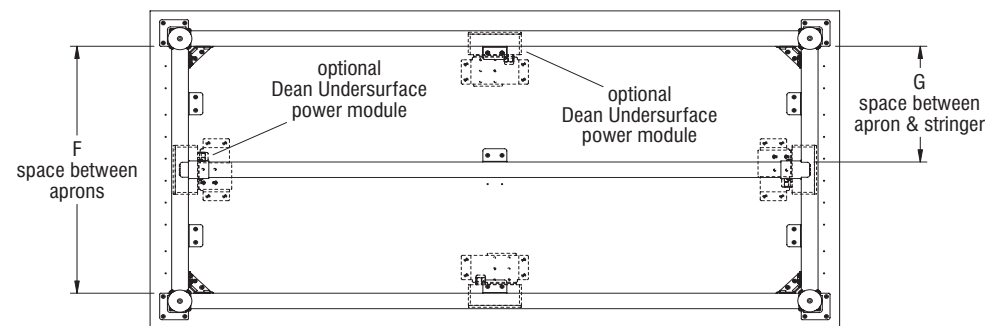
Model Number	A Table Height	B Table Depth	C Table Width	D Space Between Legs	E Space Between Legs	F Space Between Aprons	G Space Between Apron & Stringer	H Apron-to-Floor Clearance
SUEAA2448	29"	23.93"	47.93"	15.43"	39.43"	15.93"	N/A	26.10"
SUEAA2460	29"	23.93"	59.93"	15.43"	51.43"	15.93"	N/A	26.10"
SUEAA2472	29"	23.93"	71.93"	15.43"	63.43"	15.93"	N/A	26.10"
SUEAA3048	29"	29.93"	47.93"	21.43"	39.43"	21.93"	N/A	26.10"
SUEAA3060	29"	29.93"	59.93"	21.43"	51.43"	21.93"	N/A	26.10"
SUEAA3072	29"	29.93"	71.93"	21.43"	63.43"	21.93"	N/A	26.10"
SUEAA3084	29"	29.93"	83.93"	21.43"	75.43"	21.93"	N/A	26.10"
SUEAA3648	29"	35.93"	47.93"	27.43"	39.43"	N/A	13.09"	26.10"
SUEAA3660	29"	35.93"	59.93"	27.43"	51.43"	N/A	13.09"	26.10"
SUEAA3672	29"	35.93"	71.93"	27.43"	63.43"	N/A	13.09"	26.10"
SUEAA3684	29"	35.93"	83.93"	27.43"	75.43"	N/A	13.09"	26.10"
SUEAA4248	29"	41.93"	47.93"	33.43"	39.43"	N/A	16.09"	26.10"
SUEAA4260	29"	41.93"	59.93"	33.43"	51.43"	N/A	16.09"	26.10"
SUEAA4272	29"	41.93"	71.93"	33.43"	63.43"	N/A	16.09"	26.10"
SUEAA4284	29"	41.93"	83.93"	33.43"	75.43"	N/A	16.09"	26.10"
SUEAA4848	29"	47.93"	47.93"	39.43"	39.43"	N/A	19.09"	26.10"
SUEAA4860	29"	47.93"	59.93"	39.43"	51.43"	N/A	19.09"	26.10"
SUEAA4872	29"	47.93"	71.93"	39.43"	63.43"	N/A	19.09"	26.10"
SUEAA4884	29"	47.93"	83.93"	39.43"	75.43"	N/A	19.09"	26.10"



(front view)



(side view)



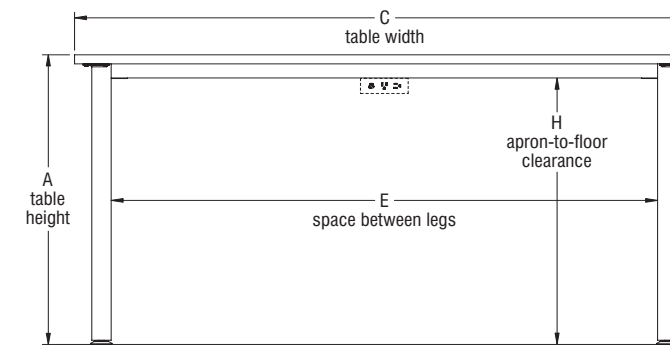
(bottom view)

Note: Table height dimensions in the chart above represent tables using a 1 1/4" thick laminate worksurface. Tables using a 1" thick phenolic resin worksurface must subtract 1/4" from the "table height" column in the chart. Tables using a 1 3/4" thick butcher block wood worksurface must add 1/2" to the "table height" column in the chart. Tables using a 1 1/2" thick stainless steel worksurface must add 1/4" to the "table height" column in the chart.

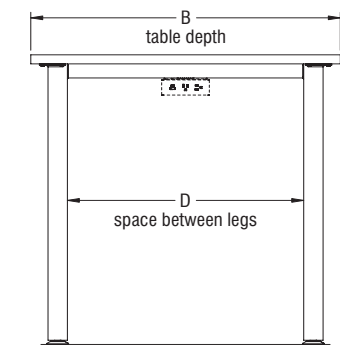
DIMENSIONS

Stout 36" Fixed-Height Tables with Glides

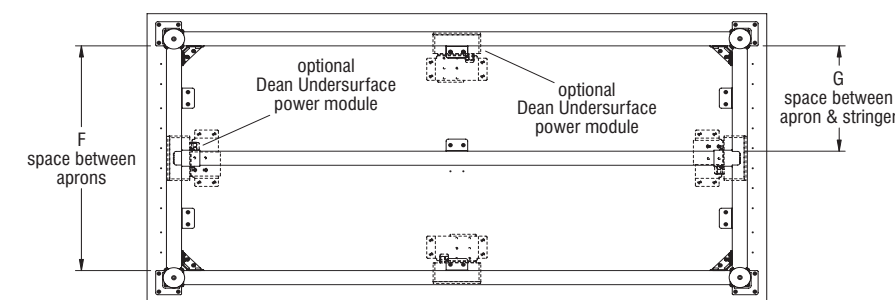
Model Number	A Table Height	B Table Depth	C Table Width	D Space Between Legs	E Space Between Legs	F Space Between Aprons	G Space Between Apron & Stringer	H Apron-to-Floor Clearance
SUEBA2448	36"	23.93"	47.93"	15.43"	39.43"	15.93"	N/A	33.10"
SUEBA2460	36"	23.93"	59.93"	15.43"	51.43"	15.93"	N/A	33.10"
SUEBA2472	36"	23.93"	71.93"	15.43"	63.43"	15.93"	N/A	33.10"
SUEBA3048	36"	29.93"	47.93"	21.43"	39.43"	21.93"	N/A	33.10"
SUEBA3060	36"	29.93"	59.93"	21.43"	51.43"	21.93"	N/A	33.10"
SUEBA3072	36"	29.93"	71.93"	21.43"	63.43"	21.93"	N/A	33.10"
SUEBA3084	36"	29.93"	83.93"	21.43"	75.43"	21.93"	N/A	33.10"
SUEBA3648	36"	35.93"	47.93"	27.43"	39.43"	N/A	13.09"	33.10"
SUEBA3660	36"	35.93"	59.93"	27.43"	51.43"	N/A	13.09"	33.10"
SUEBA3672	36"	35.93"	71.93"	27.43"	63.43"	N/A	13.09"	33.10"
SUEBA3684	36"	35.93"	83.93"	27.43"	75.43"	N/A	13.09"	33.10"
SUEBA4248	36"	41.93"	47.93"	33.43"	39.43"	N/A	16.09"	33.10"
SUEBA4260	36"	41.93"	59.93"	33.43"	51.43"	N/A	16.09"	33.10"
SUEBA4272	36"	41.93"	71.93"	33.43"	63.43"	N/A	16.09"	33.10"
SUEBA4284	36"	41.93"	83.93"	33.43"	75.43"	N/A	16.09"	33.10"
SUEBA4848	36"	47.93"	47.93"	39.43"	39.43"	N/A	19.09"	33.10"
SUEBA4860	36"	47.93"	59.93"	39.43"	51.43"	N/A	19.09"	33.10"
SUEBA4872	36"	47.93"	71.93"	39.43"	63.43"	N/A	19.09"	33.10"
SUEBA4884	36"	47.93"	83.93"	39.43"	75.43"	N/A	19.09"	33.10"



(front view)



(side view)



(bottom view)

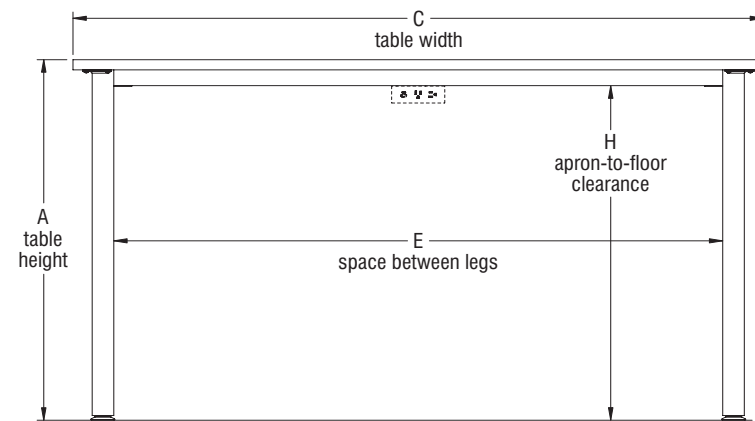
Note: Table height dimensions in the chart above represent tables using a 1 1/4" thick laminate worksurface. Tables using a 1" thick phenolic resin worksurface must subtract 1/4" from the "table height" column in the chart. Tables using a 1 3/4" thick butcher block wood worksurface must add 1/2" to the "table height" column in the chart. Tables using a 1 1/2" thick stainless steel worksurface must add 1/4" to the "table height" column in the chart.



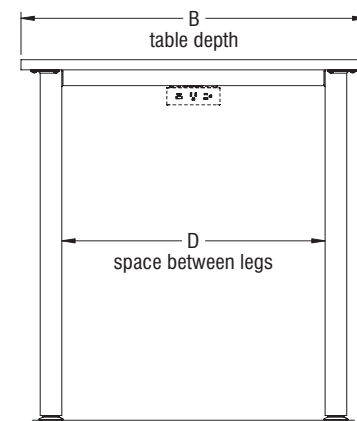
DIMENSIONS

Stout 40" Fixed-Height Tables with Glides

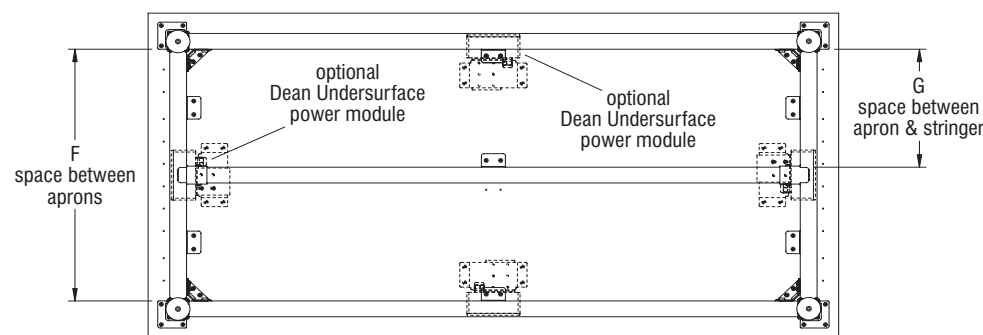
Model Number	A Table Height	B Table Depth	C Table Width	D Space Between Legs	E Space Between Legs	F Space Between Aprons	G Space Between Apron & Stringer	H Apron-to-Floor Clearance
SUEKA2448	40"	23.93"	47.93"	15.43"	39.43"	15.93"	N/A	37.10"
SUEKA2460	40"	23.93"	59.93"	15.43"	51.43"	15.93"	N/A	37.10"
SUEKA2472	40"	23.93"	71.93"	15.43"	63.43"	15.93"	N/A	37.10"
SUEKA3048	40"	29.93"	47.93"	21.43"	39.43"	21.93"	N/A	37.10"
SUEKA3060	40"	29.93"	59.93"	21.43"	51.43"	21.93"	N/A	37.10"
SUEKA3072	40"	29.93"	71.93"	21.43"	63.43"	21.93"	N/A	37.10"
SUEKA3084	40"	29.93"	83.93"	21.43"	75.43"	21.93"	N/A	37.10"
SUEKA3648	40"	35.93"	47.93"	27.43"	39.43"	N/A	13.09"	37.10"
SUEKA3660	40"	35.93"	59.93"	27.43"	51.43"	N/A	13.09"	37.10"
SUEKA3672	40"	35.93"	71.93"	27.43"	63.43"	N/A	13.09"	37.10"
SUEKA3684	40"	35.93"	83.93"	27.43"	75.43"	N/A	13.09"	37.10"
SUEKA4248	40"	41.93"	47.93"	33.43"	39.43"	N/A	16.09"	37.10"
SUEKA4260	40"	41.93"	59.93"	33.43"	51.43"	N/A	16.09"	37.10"
SUEKA4272	40"	41.93"	71.93"	33.43"	63.43"	N/A	16.09"	37.10"
SUEKA4284	40"	41.93"	83.93"	33.43"	75.43"	N/A	16.09"	37.10"
SUEKA4848	40"	47.93"	47.93"	39.43"	39.43"	N/A	19.09"	37.10"
SUEKA4860	40"	47.93"	59.93"	39.43"	51.43"	N/A	19.09"	37.10"
SUEKA4872	40"	47.93"	71.93"	39.43"	63.43"	N/A	19.09"	37.10"
SUEKA4884	40"	47.93"	83.93"	39.43"	75.43"	N/A	19.09"	37.10"



(front view)



(side view)



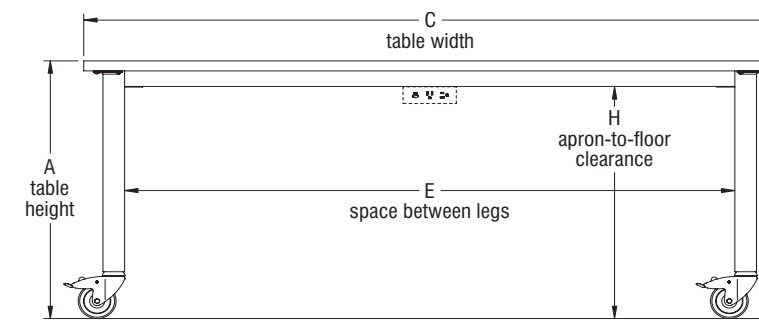
(bottom view)

Note: Table height dimensions in the chart above represent tables using a 1 1/4" thick laminate worksurface. Tables using a 1" thick phenolic resin worksurface must subtract 1/4" from the "table height" column in the chart. Tables using a 1 3/4" thick butcher block wood worksurface must add 1/2" to the "table height" column in the chart. Tables using a 1 1/2" thick stainless steel worksurface must add 1/4" to the "table height" column in the chart.

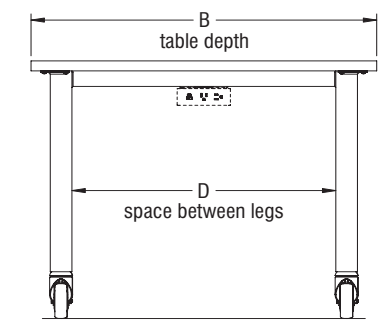
DIMENSIONS

Stout 29" Fixed-Height Tables with Casters

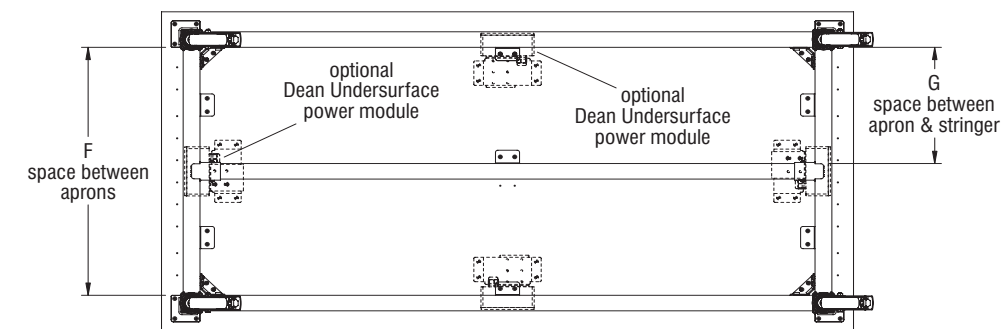
Model Number	A Table Height	B Table Depth	C Table Width	D Space Between Legs	E Space Between Legs	F Space Between Aprons	G Space Between Apron & Stringer	H Apron-to-Floor Clearance
SUEAA3048	29"	29.93"	47.93"	21.43"	39.43"	21.93"	N/A	26.10"
SUEAA3060	29"	29.93"	59.93"	21.43"	51.43"	21.93"	N/A	26.10"
SUEAA3072	29"	29.93"	71.93"	21.43"	63.43"	21.93"	N/A	26.10"
SUEAA3084	29"	29.93"	83.93"	21.43"	75.43"	21.93"	N/A	26.10"
SUEAA3648	29"	35.93"	47.93"	27.43"	39.43"	N/A	13.09"	26.10"
SUEAA3660	29"	35.93"	59.93"	27.43"	51.43"	N/A	13.09"	26.10"
SUEAA3672	29"	35.93"	71.93"	27.43"	63.43"	N/A	13.09"	26.10"
SUEAA3684	29"	35.93"	83.93"	27.43"	75.43"	N/A	13.09"	26.10"
SUEAA4248	29"	41.93"	47.93"	33.43"	39.43"	N/A	16.09"	26.10"
SUEAA4260	29"	41.93"	59.93"	33.43"	51.43"	N/A	16.09"	26.10"
SUEAA4272	29"	41.93"	71.93"	33.43"	63.43"	N/A	16.09"	26.10"
SUEAA4284	29"	41.93"	83.93"	33.43"	75.43"	N/A	16.09"	26.10"
SUEAA4848	29"	47.93"	47.93"	39.43"	39.43"	N/A	19.09"	26.10"
SUEAA4860	29"	47.93"	59.93"	39.43"	51.43"	N/A	19.09"	26.10"
SUEAA4872	29"	47.93"	71.93"	39.43"	63.43"	N/A	19.09"	26.10"
SUEAA4884	29"	47.93"	83.93"	39.43"	75.43"	N/A	19.09"	26.10"



(front view)



(side view)

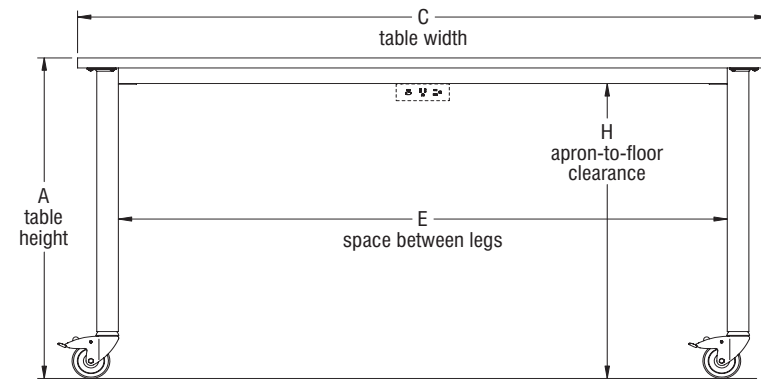


(bottom view)

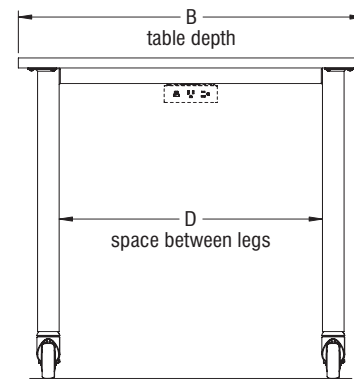
Note: Table height dimensions in the chart above represent tables using a 1 1/4" thick laminate worksurface. Tables using a 1" thick phenolic resin worksurface must subtract 1/4" from the "table height" column in the chart. Tables using a 1 3/4" thick butcher block wood worksurface must add 1/2" to the "table height" column in the chart. Tables using a 1 1/2" thick stainless steel worksurface must add 1/4" to the "table height" column in the chart.


DIMENSIONS
Stout 36" Fixed-Height Tables with Casters

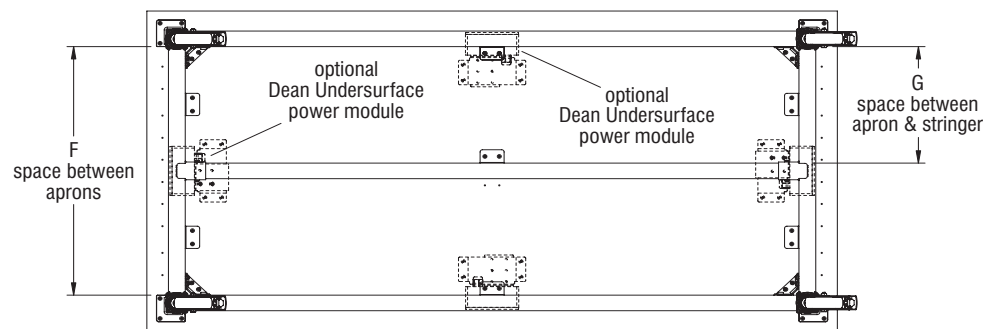
Model Number	A Table Height	B Table Depth	C Table Width	D Space Between Legs	E Space Between Legs	F Space Between Aprons	G Space Between Apron & Stringer	H Apron-to-Floor Clearance
SUEBA3048	36"	29.93"	47.93"	21.43"	39.43"	21.93"	N/A	33.10"
SUEBA3060	36"	29.93"	59.93"	21.43"	51.43"	21.93"	N/A	33.10"
SUEBA3072	36"	29.93"	71.93"	21.43"	63.43"	21.93"	N/A	33.10"
SUEBA3084	36"	29.93"	83.93"	21.43"	75.43"	21.93"	N/A	33.10"
SUEBA3648	36"	35.93"	47.93"	27.43"	39.43"	N/A	13.09"	33.10"
SUEBA3660	36"	35.93"	59.93"	27.43"	51.43"	N/A	13.09"	33.10"
SUEBA3672	36"	35.93"	71.93"	27.43"	63.43"	N/A	13.09"	33.10"
SUEBA3684	36"	35.93"	83.93"	27.43"	75.43"	N/A	13.09"	33.10"
SUEBA4248	36"	41.93"	47.93"	33.43"	39.43"	N/A	16.09"	33.10"
SUEBA4260	36"	41.93"	59.93"	33.43"	51.43"	N/A	16.09"	33.10"
SUEBA4272	36"	41.93"	71.93"	33.43"	63.43"	N/A	16.09"	33.10"
SUEBA4284	36"	41.93"	83.93"	33.43"	75.43"	N/A	16.09"	33.10"
SUEBA4848	36"	47.93"	47.93"	39.43"	39.43"	N/A	19.09"	33.10"
SUEBA4860	36"	47.93"	59.93"	39.43"	51.43"	N/A	19.09"	33.10"
SUEBA4872	36"	47.93"	71.93"	39.43"	63.43"	N/A	19.09"	33.10"
SUEBA4884	36"	47.93"	83.93"	39.43"	75.43"	N/A	19.09"	33.10"



(front view)



(side view)

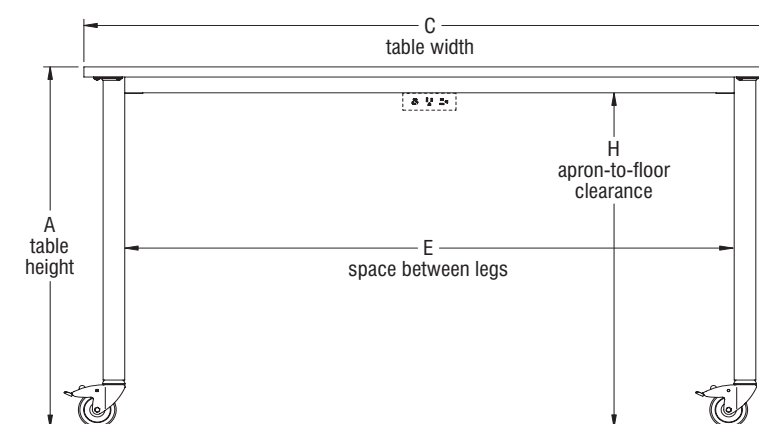


(bottom view)

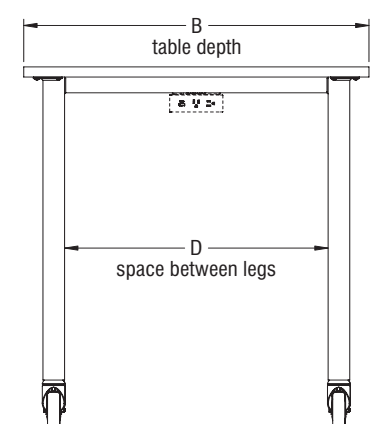
Note: Table height dimensions in the chart above represent tables using a 1/4" thick laminate worksurface. Tables using a 1" thick phenolic resin worksurface must subtract 1/4" from the "table height" column in the chart. Tables using a 1 3/4" thick butcher block wood worksurface must add 1/2" to the "table height" column in the chart. Tables using a 1 1/2" thick stainless steel worksurface must add 1/4" to the "table height" column in the chart.

DIMENSIONS
Stout 40" Fixed-Height Tables with Casters

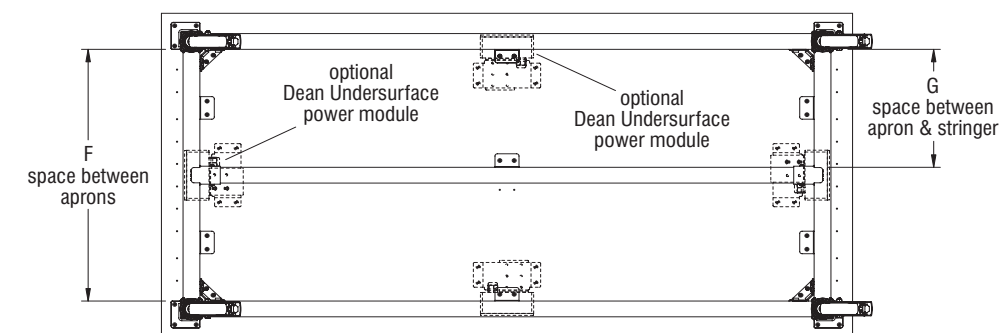
Model Number	A Table Height	B Table Depth	C Table Width	D Space Between Legs	E Space Between Legs	F Space Between Aprons	G Space Between Apron & Stringer	H Apron-to-Floor Clearance
SUEKA3048	40"	29.93"	47.93"	21.43"	39.43"	21.93"	N/A	37.10"
SUEKA3060	40"	29.93"	59.93"	21.43"	51.43"	21.93"	N/A	37.10"
SUEKA3072	40"	29.93"	71.93"	21.43"	63.43"	21.93"	N/A	37.10"
SUEKA3084	40"	29.93"	83.93"	21.43"	75.43"	21.93"	N/A	37.10"
SUEKA3648	40"	35.93"	47.93"	27.43"	39.43"	N/A	13.09"	37.10"
SUEKA3660	40"	35.93"	59.93"	27.43"	51.43"	N/A	13.09"	37.10"
SUEKA3672	40"	35.93"	71.93"	27.43"	63.43"	N/A	13.09"	37.10"
SUEKA3684	40"	35.93"	83.93"	27.43"	75.43"	N/A	13.09"	37.10"
SUEKA4248	40"	41.93"	47.93"	33.43"	39.43"	N/A	16.09"	37.10"
SUEKA4260	40"	41.93"	59.93"	33.43"	51.43"	N/A	16.09"	37.10"
SUEKA4272	40"	41.93"	71.93"	33.43"	63.43"	N/A	16.09"	37.10"
SUEKA4284	40"	41.93"	83.93"	33.43"	75.43"	N/A	16.09"	37.10"
SUEKA4848	40"	47.93"	47.93"	39.43"	39.43"	N/A	19.09"	37.10"
SUEKA4860	40"	47.93"	59.93"	39.43"	51.43"	N/A	19.09"	37.10"
SUEKA4872	40"	47.93"	71.93"	39.43"	63.43"	N/A	19.09"	37.10"
SUEKA4884	40"	47.93"	83.93"	39.43"	75.43"	N/A	19.09"	37.10"



(front view)



(side view)



(bottom view)

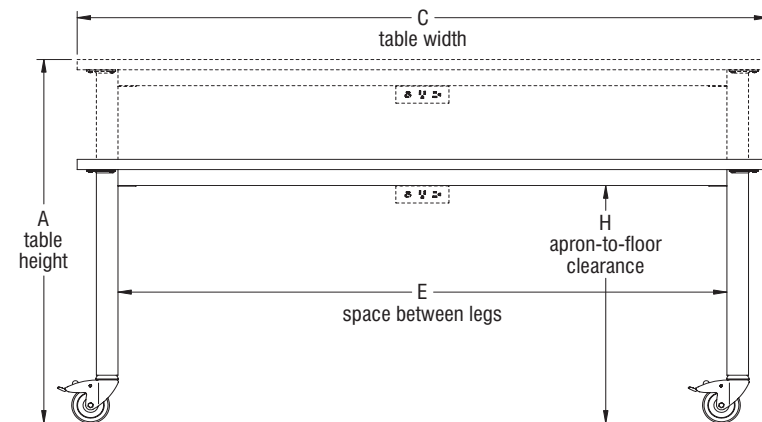
Note: Table height dimensions in the chart above represent tables using a 1/4" thick laminate worksurface. Tables using a 1" thick phenolic resin worksurface must subtract 1/4" from the "table height" column in the chart. Tables using a 1 3/4" thick butcher block wood worksurface must add 1/2" to the "table height" column in the chart. Tables using a 1 1/2" thick stainless steel worksurface must add 1/4" to the "table height" column in the chart.



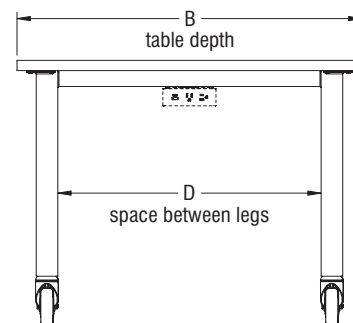
DIMENSIONS

Stout Adjustable-Height Tables with Casters

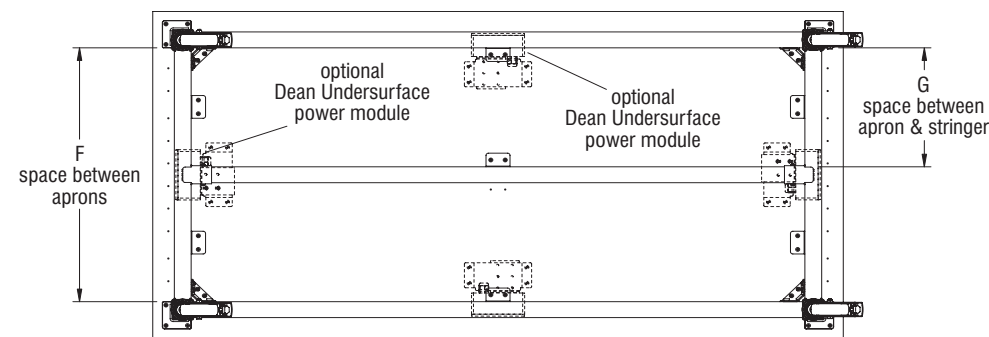
Model Number	A Table Height	B Table Depth	C Table Width	D Space Between Legs	E Space Between Legs	F Space Between Aprons	G Space Between Apron & Stringer	H Apron-to-Floor Clearance
SUEFA3048	27" - 40"	29.93"	47.93"	21.43"	39.43"	21.93"	N/A	24.10" - 37.10"
SUEFA3060	27" - 40"	29.93"	59.93"	21.43"	51.43"	21.93"	N/A	24.10" - 37.10"
SUEFA3072	27" - 40"	29.93"	71.93"	21.43"	63.43"	21.93"	N/A	24.10" - 37.10"
SUEFA3084	27" - 40"	29.93"	83.93"	21.43"	75.43"	21.93"	N/A	24.10" - 37.10"
SUEFA3648	27" - 40"	35.93"	47.93"	27.43"	39.43"	N/A	13.09"	24.10" - 37.10"
SUEFA3660	27" - 40"	35.93"	59.93"	27.43"	51.43"	N/A	13.09"	24.10" - 37.10"
SUEFA3672	27" - 40"	35.93"	71.93"	27.43"	63.43"	N/A	13.09"	24.10" - 37.10"
SUEFA3684	27" - 40"	35.93"	83.93"	27.43"	75.43"	N/A	13.09"	24.10" - 37.10"
SUEFA4248	27" - 40"	41.93"	47.93"	33.43"	39.43"	N/A	16.09"	24.10" - 37.10"
SUEFA4260	27" - 40"	41.93"	59.93"	33.43"	51.43"	N/A	16.09"	24.10" - 37.10"
SUEFA4272	27" - 40"	41.93"	71.93"	33.43"	63.43"	N/A	16.09"	24.10" - 37.10"
SUEFA4284	27" - 40"	41.93"	83.93"	33.43"	75.43"	N/A	16.09"	24.10" - 37.10"
SUEFA4848	27" - 40"	47.93"	47.93"	39.43"	39.43"	N/A	19.09"	24.10" - 37.10"
SUEFA4860	27" - 40"	47.93"	59.93"	39.43"	51.43"	N/A	19.09"	24.10" - 37.10"
SUEFA4872	27" - 40"	47.93"	71.93"	39.43"	63.43"	N/A	19.09"	24.10" - 37.10"
SUEFA4884	27" - 40"	47.93"	83.93"	39.43"	75.43"	N/A	19.09"	24.10" - 37.10"



(front view)



(side view)



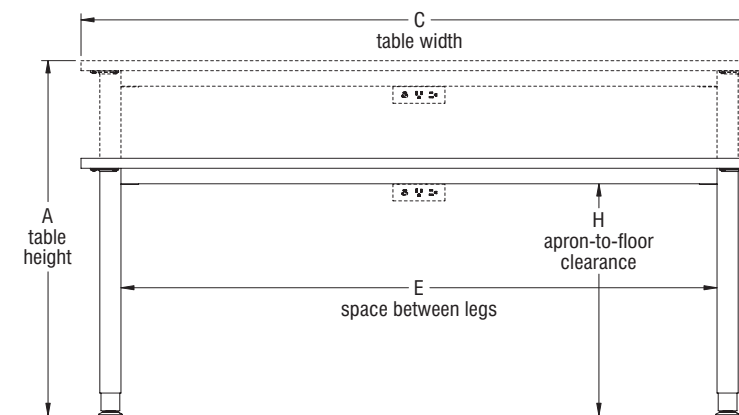
(bottom view)

Note: Table height dimensions in the chart above represent tables using a 1/4" thick laminate worksurface. Tables using a 1" thick phenolic resin worksurface must subtract 1/4" from the "table height" column in the chart. Tables using a 1 3/4" thick butcher block wood worksurface must add 1/2" to the "table height" column in the chart. Tables using a 1 1/2" thick stainless steel worksurface must add 1/4" to the "table height" column in the chart.

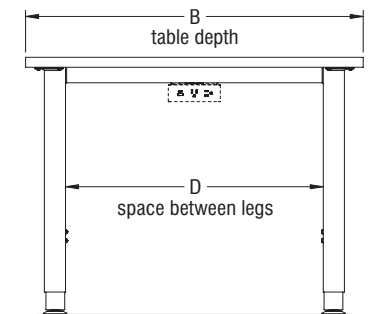
DIMENSIONS

Stout Adjustable-Height Tables with Glides

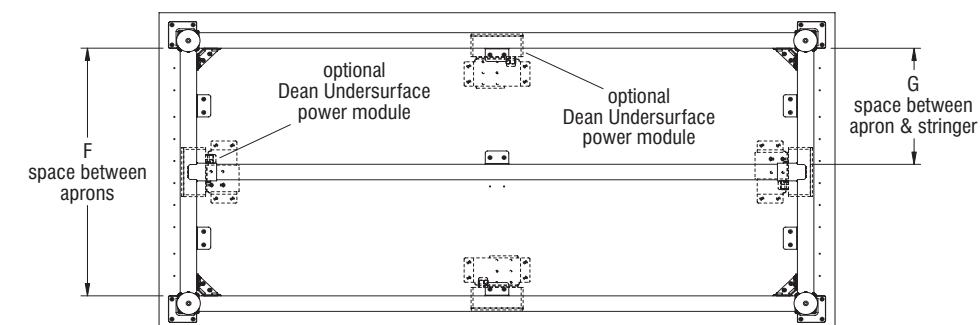
Model Number	A Table Height	B Table Depth	C Table Width	D Space Between Legs	E Space Between Legs	F Space Between Aprons	G Space Between Apron & Stringer	H Apron-to-Floor Clearance
SUEFA2448	27" - 40"	23.93"	47.93"	15.43"	39.43"	15.93"	N/A	24.10" - 37.10"
SUEFA2460	27" - 40"	23.93"	59.93"	15.43"	51.43"	15.93"	N/A	24.10" - 37.10"
SUEFA2472	27" - 40"	23.93"	71.93"	15.43"	63.43"	15.93"	N/A	24.10" - 37.10"
SUEFA3048	27" - 40"	29.93"	47.93"	21.43"	39.43"	21.93"	N/A	24.10" - 37.10"
SUEFA3060	27" - 40"	29.93"	59.93"	21.43"	51.43"	21.93"	N/A	24.10" - 37.10"
SUEFA3072	27" - 40"	29.93"	71.93"	21.43"	63.43"	21.93"	N/A	24.10" - 37.10"
SUEFA3084	27" - 40"	29.93"	83.93"	21.43"	75.43"	21.93"	N/A	24.10" - 37.10"
SUEFA3648	27" - 40"	35.93"	47.93"	27.43"	39.43"	N/A	13.09"	24.10" - 37.10"
SUEFA3660	27" - 40"	35.93"	59.93"	27.43"	51.43"	N/A	13.09"	24.10" - 37.10"
SUEFA3672	27" - 40"	35.93"	71.93"	27.43"	63.43"	N/A	13.09"	24.10" - 37.10"
SUEFA3684	27" - 40"	35.93"	83.93"	27.43"	75.43"	N/A	13.09"	24.10" - 37.10"
SUEFA4248	27" - 40"	41.93"	47.93"	33.43"	39.43"	N/A	16.09"	24.10" - 37.10"
SUEFA4260	27" - 40"	41.93"	59.93"	33.43"	51.43"	N/A	16.09"	24.10" - 37.10"
SUEFA4272	27" - 40"	41.93"	71.93"	33.43"	63.43"	N/A	16.09"	24.10" - 37.10"
SUEFA4284	27" - 40"	41.93"	83.93"	33.43"	75.43"	N/A	16.09"	24.10" - 37.10"
SUEFA4848	27" - 40"	47.93"	47.93"	39.43"	39.43"	N/A	19.09"	24.10" - 37.10"
SUEFA4860	27" - 40"	47.93"	59.93"	39.43"	51.43"	N/A	19.09"	24.10" - 37.10"
SUEFA4872	27" - 40"	47.93"	71.93"	39.43"	63.43"	N/A	19.09"	24.10" - 37.10"
SUEFA4884	27" - 40"	47.93"	83.93"	39.43"	75.43"	N/A	19.09"	24.10" - 37.10"



(front view)



(side view)



(bottom view)

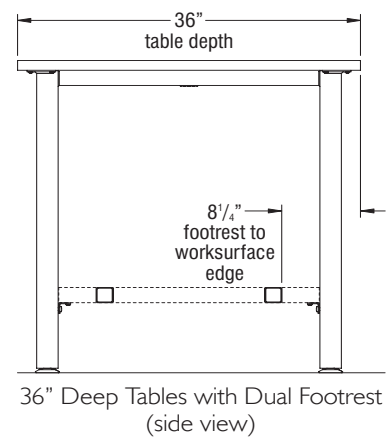
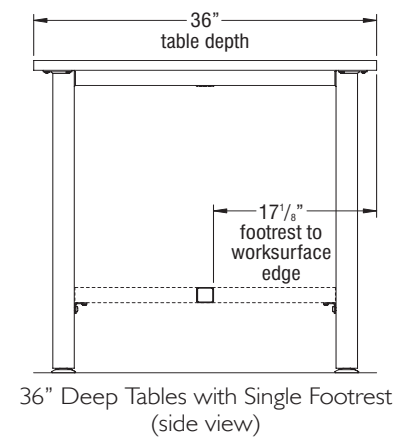
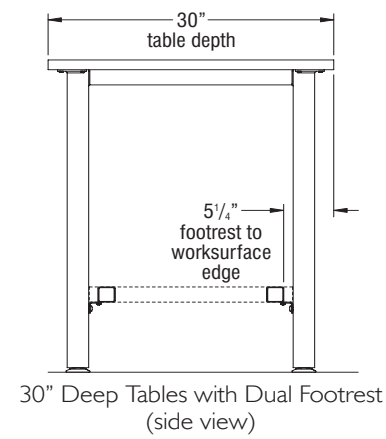
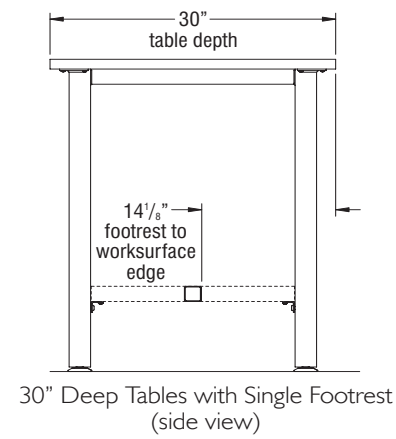
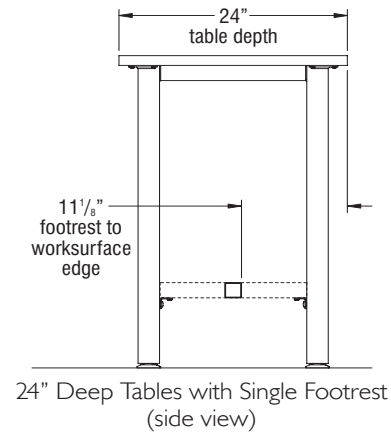
Note: Table height dimensions in the chart above represent tables using a 1/4" thick laminate worksurface. Tables using a 1" thick phenolic resin worksurface must subtract 1/4" from the "table height" column in the chart. Tables using a 1 3/4" thick butcher block wood worksurface must add 1/2" to the "table height" column in the chart. Tables using a 1 1/2" thick stainless steel worksurface must add 1/4" to the "table height" column in the chart.



DIMENSIONS

Footrest Leg Clearance

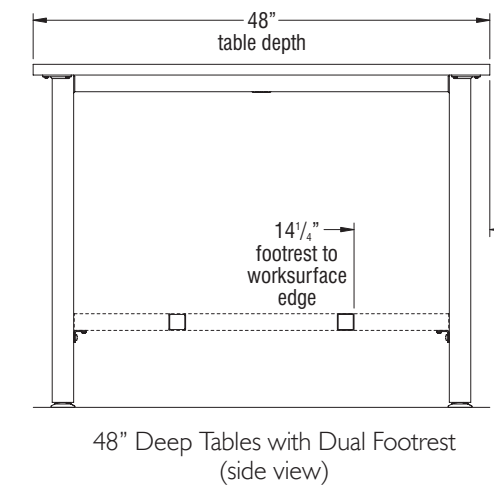
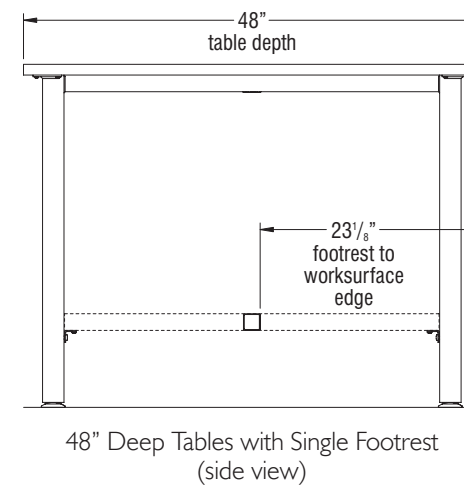
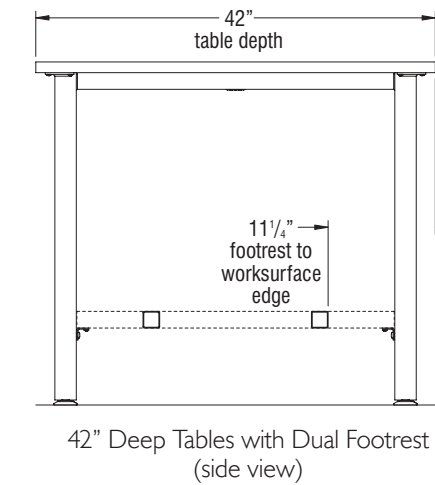
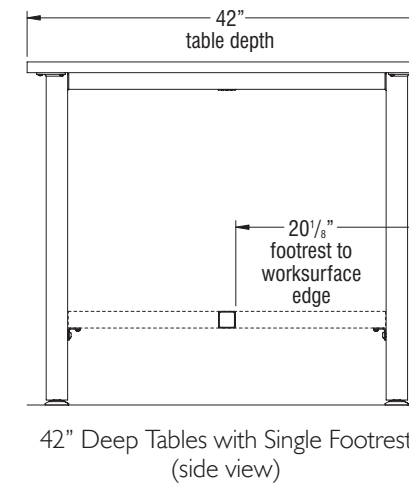
All table frames are shipped K.D. (knocked-down) and require assembly in the field.



DIMENSIONS

Footrest Leg Clearance (cont.)

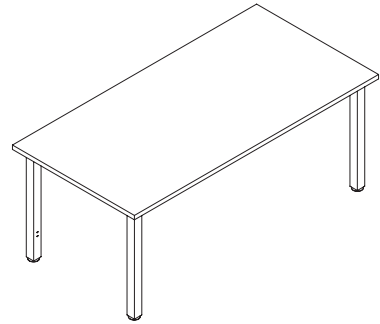
All table frames are shipped K.D. (knocked-down) and require assembly in the field.



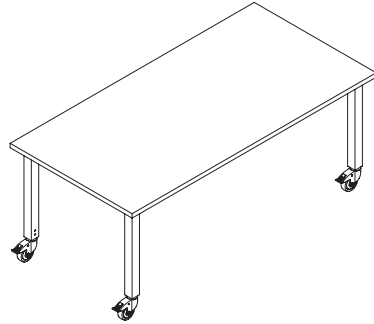


STATEMENT OF LINE

Stout Tables - Fixed-Height Frames

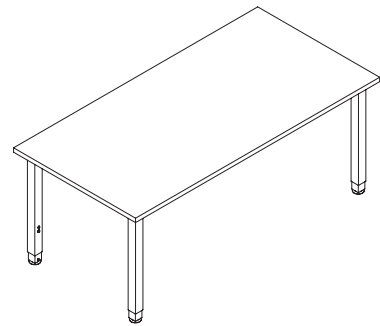


Fixed-Height Table with Glides
SUEAA (29" Fixed-Height)
SUEBA (36" Fixed-Height)
SUEKA (40" Fixed-Height)

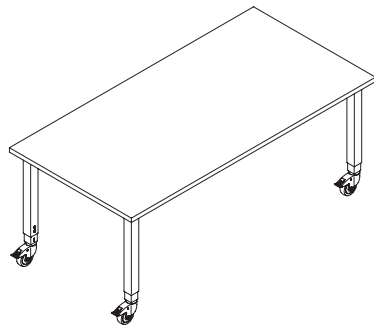


Fixed-Height Table with Casters
SUEAA (29" Fixed-Height)
SUEBA (36" Fixed-Height)
SUEKA (40" Fixed-Height)

Stout Tables - Adjustable-Height Frames



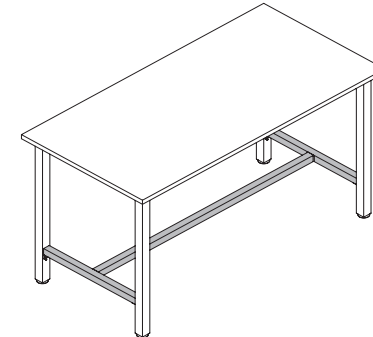
Adjustable-Height Table with Glides
SUEFA (27"-40" Adjustable Height)



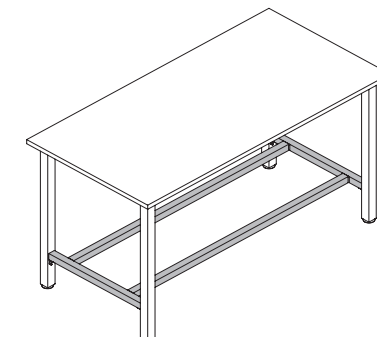
Adjustable-Height Table with Casters
SUEFA (27"-40" Adjustable Height)

STATEMENT OF LINE

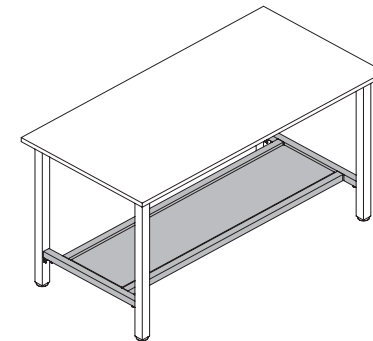
Stout Table Accessories



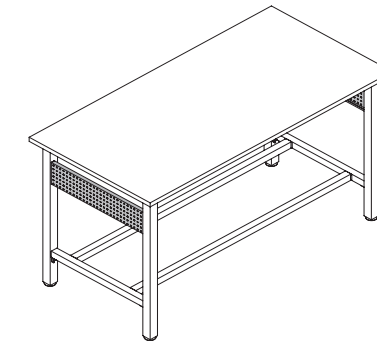
Single Footrest



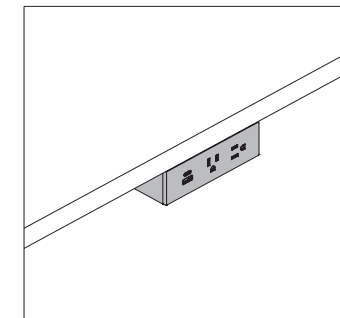
Dual Footrest



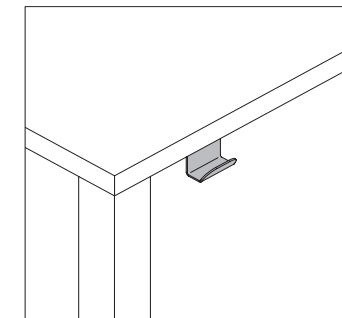
Dual Footrest with Shelf



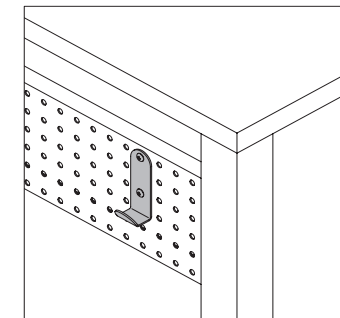
Pegboard End Panel



Dean Undersurface Power
Module with 3-Prong Plug



Undersurface
Bag Hook



Pegboard Mounted
Bag Hook



Edge Color for 74P Edge

Akira
Beigewood
Belair
Biltmore Cherry
Black
Black Hills Oak
Blue Grey
Brighton Walnut
Castle Oak
Cayenne
Cherry Storm
Cocobala
Cool Grey
Cumberland Walnut
Dering Forest
Designer White
Earthen Clay
Everglade Shade
Fawn Cypress
Flannel
Florence Walnut
Friston Ash
Frosty White
Hartley Walnut
Hazy Jade
Honey Bee
Italian Silver Ash
Kensington Maple
Light Tone
Mardi Gras
Misty Brown
Monticello Maple
Multiplex
Nemo
Nordic
Pinnacle Walnut
Poppy Red
Purple Haze
Rainforest
Raleigh Walnut
River Cherry
Rubber Ducky
Sand
Sky Blue
Solano Walnut
Sterling Ash
Surf's Up
Tarragon
Twilight Shadow
Ultra Blue
Valley Forge Elm
Warm Grey
White River Forest
Windsor Mahogany
Zesty Lime

Surface Finish--Grade 1 Standard Laminate

EAK	Beigewood
EBZ	Belair
EBQ	Biltmore Cherry
EBT	Black
EBL	Brighton Walnut
EBH	Castle Oak
EGR	Cherry Storm
EBW	Classic Linen
ECO	Cocobala
ECY	Crisp Linen
ECX	Designer White
ECC	Dove Grey
ECG	Florence Walnut
ECJ	Friston Ash
EDF	Frosty White
EDR	Graphite Nebula
EEY	Grey
EEV	High Rise
EFQ	Hollyberry
EFN	Island
EFC	Italian Silver Ash
EFH	Kensington Maple
EFW	Lapis Blue
EHW	Monticello Maple
EHJ	North Sea
EHY	Ocean
EIT	Pinnacle Walnut
EKM	River Cherry
ELG	Shadow Zephyr
EMG	Sterling Ash
EMY	Titanium Evolv
EMT	White Nebula
EMB	White Sand
ENE	Windsor Mahogany
END	
EPW	Surface Finish--Grade 2 Standard Laminate
EPR	Akira
EPH	Black Alicante
ERQ	Black Hills Oak
ERW	Calcutta Marble
ERY	Dering Forest
ERK	Fawn Cypress
ESA	Ice Mist
ESK	Markerboard White
ESG	Valley Forge Elm
EAZ	White River Forest
ESP	Surface Finish--Grade 3 Standard Laminate
ETQ	Black Velvet
ETI	Cumberland Walnut
EUB	Designer White Velvet
EWF	Hartley Walnut
EVG	Nile Velvet
EWR	Raleigh Walnut
EWY	Solano Walnut
EZL	Spruce Velvet

Phenolic Resin Top Color

LBZ	Black
LBO	
LBT	Butcherblock Wood Top Color
LBK	Maple
LBW	
LCO	Paint Color - Base, Frame and Pegboard Hook Kit
LCX	Black
LCI	Blue Grey
LCC	Bronze Metallic
LRI	Cayenne
LDR	Champagne Metallic
LDC	Cool Grey
LFG	Cottonwood
LFH	Earthen Clay
LFW	Espresso Metallic
LGN	Everglade Shade
LGE	Flannel
LHE	Glitz Metallic
LHY	Hazy Jade
LID	Honey Bee
LIT	Light Tone
LKM	Mardi Gras
LLB	Misty Brown
LMT	Nemo
LNA	Nordic
LON	Poppy Red
LPW	Purple Haze
LRY	Rainforest
LSR	Raw Jasper
LAZ	Rubber Ducky
LTV	Sand
LWL	Sky Blue
LWN	Starlight Silver Metallic
LWY	Surf's Up
LAK	Tarragon
LBY	Twilight Shadow
LBH	Ultra Blue
LCQ	Warm Grey
LDF	Zesty Lime
LDQ	
LIM	Shelf Color
LMK	Black
LVF	Blue Grey
LWR	Bronze Metallic
LBV	Cayenne
LCJ	Champagne Metallic
LDE	Cool Grey
LHW	Cottonwood
LNL	Earthen Clay
LRW	Espresso Metallic
LSG	Everglade Shade
LSC	Flannel
	Glitz Metallic
	Hazy Jade
	Honey Bee
	Light Tone
	Mardi Gras

RBL	Misty Brown
	Nemo
	Nordic
	Poppy Red
WME	Purple Haze
	Rainforest
	Raw Jasper
BL	Rubber Ducky
GR	Sand
ZM	Sky Blue
CY	Starlight Silver Metallic
CM	Surf's Up
CG	Tarragon
CO	Twilight Shadow
EY	Ultra Blue
EX	Warm Grey
EV	Zesty Lime
FN	
GZ	Module Color
HJ	Black
HY	Cool Grey
LG	Cottonwood
MG	Warm Grey
MY	
NE	Worksurface Bag Hook Color
ND	Black
PR	Blue Grey
PH	Bronze Metallic
RQ	Cayenne
RJ	Champagne Metallic
RK	Cool Grey
SA	Cottonwood
SK	Earthen Clay
SX	Espresso Metallic
SP	Everglade Shade
TQ	Flannel
TI	Glitz Metallic
UB	Hazy Jade
WG	Honey Bee
ZL	Light Tone
	Mardi Gras
	Misty Brown
SBL	Nemo
SGR	Nordic
SZM	Poppy Red
SCY	Purple Haze
SCM	Rainforest
SCG	Raw Jasper
SCO	Rubber Ducky
SEY	Sand
XEX	Sky Blue
SEV	Starlight Silver Metallic
SFN	Surf's Up
SGZ	Tarragon
SHJ	Twilight Shadow
SHY	Ultra Blue
SLG	Warm Grey
SMG	Zesty Lime

SMY
SNE
SND
SPR
SPH
SRQ
SRJ
SRK
SSA
SSK
SSX
SSP
STQ
STI
SUB
SWG
SZL
PUBL
PUCG
PUCO
PUWG
HBL
HGR
HZM
HCY
HCM
HCG
HCO
HEY
HEX
HEV
HFN
HGZ
HHJ
HHY
HLG
HMG
HMY
HNE
HND
HPR
HPH
HRQ
HRJ
HRK
HSA
HSK
HSX
HSP
HTQ
HTI
HUB
HWG
HZL

Finish Cards

View color swatches for items listed within this document.

Paints	Wood/Veneer	Molded Edges	Hard Plastics
Plastics/Poly	Laminates	Edge Styles	Glass

Certain options referenced may not be available on GSA Schedule.

Stout™ Rectangle (Freight Excluded)

Fixed 29" Height



Stout™ Rectangle (Freight Excluded)

Fixed 29" Height

A x B	MODEL NUMBER													Approx. Packaged Weight	1-1/4" Laminate Top with 74P Edge (74P)	1" Phenolic Resin Top (RNT)	1-3/4" Butcher Block Wood Top (WBB)	1-1/2" Stainless Steel Top (SST)	Laminate Grade 2 add to list price	Laminate Grade 3 add to list price	Dual Footrest w/Shelf
	Basic Model	Edge Color	Surf. Finish	Peg-board	Frame Color	Foot-rest/Shelf	Caster/Glide	Module	Mod. Color	Cord Length	Bag Hook	Bag Hook Color									
24x48	SUEAA2448-74P	<input type="checkbox"/>	<input type="checkbox"/>	<input type="checkbox"/>	<input type="checkbox"/>	NFT	GNY	<input type="checkbox"/>	<input type="checkbox"/>	<input type="checkbox"/>	<input type="checkbox"/>	<input type="checkbox"/>	91.0#	\$ 922	N/A	N/A	N/A	\$ 18	\$ 115	N/A	
24x48	SUEAA2448-RNT		<input type="checkbox"/>	<input type="checkbox"/>	<input type="checkbox"/>	NFT	GNY	<input type="checkbox"/>	<input type="checkbox"/>	<input type="checkbox"/>	<input type="checkbox"/>	<input type="checkbox"/>	113.0#	N/A	1776	N/A	N/A	N/A	N/A	N/A	
24x48	SUEAA2448-WBB		<input type="checkbox"/>	<input type="checkbox"/>	<input type="checkbox"/>	NFT	GNY	<input type="checkbox"/>	<input type="checkbox"/>	<input type="checkbox"/>	<input type="checkbox"/>	<input type="checkbox"/>	111.0#	N/A	N/A	1669	N/A	N/A	N/A	N/A	
24x48	SUEAA2448-SST			<input type="checkbox"/>	<input type="checkbox"/>	NFT	GNY	<input type="checkbox"/>	<input type="checkbox"/>	<input type="checkbox"/>	<input type="checkbox"/>	<input type="checkbox"/>	113.0#	N/A	N/A	N/A	2385	N/A	N/A	N/A	
24x60	SUEAA2460-74P	<input type="checkbox"/>	<input type="checkbox"/>	<input type="checkbox"/>	<input type="checkbox"/>	NFT	GNY	<input type="checkbox"/>	<input type="checkbox"/>	<input type="checkbox"/>	<input type="checkbox"/>	<input type="checkbox"/>	103.0#	1005	N/A	N/A	N/A	25	170	N/A	
24x60	SUEAA2460-RNT		<input type="checkbox"/>	<input type="checkbox"/>	<input type="checkbox"/>	NFT	GNY	<input type="checkbox"/>	<input type="checkbox"/>	<input type="checkbox"/>	<input type="checkbox"/>	<input type="checkbox"/>	131.0#	N/A	1974	N/A	N/A	N/A	N/A	N/A	
24x60	SUEAA2460-WBB		<input type="checkbox"/>	<input type="checkbox"/>	<input type="checkbox"/>	NFT	GNY	<input type="checkbox"/>	<input type="checkbox"/>	<input type="checkbox"/>	<input type="checkbox"/>	<input type="checkbox"/>	129.0#	N/A	N/A	1822	N/A	N/A	N/A	N/A	
24x60	SUEAA2460-SST			<input type="checkbox"/>	<input type="checkbox"/>	NFT	GNY	<input type="checkbox"/>	<input type="checkbox"/>	<input type="checkbox"/>	<input type="checkbox"/>	<input type="checkbox"/>	131.0#	N/A	N/A	N/A	2604	N/A	N/A	N/A	
24x72	SUEAA2472-74P	<input type="checkbox"/>	<input type="checkbox"/>	<input type="checkbox"/>	<input type="checkbox"/>	NFT	GNY	<input type="checkbox"/>	<input type="checkbox"/>	<input type="checkbox"/>	<input type="checkbox"/>	<input type="checkbox"/>	115.0#	1062	N/A	N/A	N/A	25	170	N/A	
24x72	SUEAA2472-RNT		<input type="checkbox"/>	<input type="checkbox"/>	<input type="checkbox"/>	NFT	GNY	<input type="checkbox"/>	<input type="checkbox"/>	<input type="checkbox"/>	<input type="checkbox"/>	<input type="checkbox"/>	148.0#	N/A	2176	N/A	N/A	N/A	N/A	N/A	
24x72	SUEAA2472-WBB		<input type="checkbox"/>	<input type="checkbox"/>	<input type="checkbox"/>	NFT	GNY	<input type="checkbox"/>	<input type="checkbox"/>	<input type="checkbox"/>	<input type="checkbox"/>	<input type="checkbox"/>	146.0#	N/A	N/A	2028	N/A	N/A	N/A	N/A	
24x72	SUEAA2472-SST			<input type="checkbox"/>	<input type="checkbox"/>	NFT	GNY	<input type="checkbox"/>	<input type="checkbox"/>	<input type="checkbox"/>	<input type="checkbox"/>	<input type="checkbox"/>	148.0#	N/A	N/A	N/A	2854	N/A	N/A	N/A	
<p>SUEAA 24" Deep</p> <ul style="list-style-type: none"> Field assembly required Vertical and horizontal wire management is included when power modules are specified Undersurface power modules install along any side of the table Casters cannot be used on 24" deep tables Dual footrests are not available on 24" deep tables 																					
30x48	SUEAA3048-74P	<input type="checkbox"/>	<input type="checkbox"/>	<input type="checkbox"/>	<input type="checkbox"/>	<input type="checkbox"/>	<input type="checkbox"/>	<input type="checkbox"/>	<input type="checkbox"/>	<input type="checkbox"/>	<input type="checkbox"/>	<input type="checkbox"/>	103.0#	\$ 1016	N/A	N/A	N/A	\$ 25	\$ 170	\$ 521	
30x48	SUEAA3048-RNT		<input type="checkbox"/>	<input type="checkbox"/>	<input type="checkbox"/>	<input type="checkbox"/>	<input type="checkbox"/>	<input type="checkbox"/>	<input type="checkbox"/>	<input type="checkbox"/>	<input type="checkbox"/>	<input type="checkbox"/>	131.0#	N/A	1974	N/A	N/A	N/A	N/A	521	
30x48	SUEAA3048-WBB		<input type="checkbox"/>	<input type="checkbox"/>	<input type="checkbox"/>	<input type="checkbox"/>	<input type="checkbox"/>	<input type="checkbox"/>	<input type="checkbox"/>	<input type="checkbox"/>	<input type="checkbox"/>	<input type="checkbox"/>	129.0#	N/A	N/A	1864	N/A	N/A	N/A	521	
30x48	SUEAA3048-SST			<input type="checkbox"/>	<input type="checkbox"/>	<input type="checkbox"/>	<input type="checkbox"/>	<input type="checkbox"/>	<input type="checkbox"/>	<input type="checkbox"/>	<input type="checkbox"/>	<input type="checkbox"/>	131.0#	N/A	N/A	N/A	2687	N/A	N/A	521	
30x60	SUEAA3060-74P	<input type="checkbox"/>	<input type="checkbox"/>	<input type="checkbox"/>	<input type="checkbox"/>	<input type="checkbox"/>	<input type="checkbox"/>	<input type="checkbox"/>	<input type="checkbox"/>	<input type="checkbox"/>	<input type="checkbox"/>	<input type="checkbox"/>	117.0#	1086	N/A	N/A	N/A	25	170	572	
30x60	SUEAA3060-RNT		<input type="checkbox"/>	<input type="checkbox"/>	<input type="checkbox"/>	<input type="checkbox"/>	<input type="checkbox"/>	<input type="checkbox"/>	<input type="checkbox"/>	<input type="checkbox"/>	<input type="checkbox"/>	<input type="checkbox"/>	152.0#	N/A	2262	N/A	N/A	N/A	N/A	572	
30x60	SUEAA3060-WBB		<input type="checkbox"/>	<input type="checkbox"/>	<input type="checkbox"/>	<input type="checkbox"/>	<input type="checkbox"/>	<input type="checkbox"/>	<input type="checkbox"/>	<input type="checkbox"/>	<input type="checkbox"/>	<input type="checkbox"/>	150.0#	N/A	N/A	2065	N/A	N/A	N/A	572	
30x60	SUEAA3060-SST			<input type="checkbox"/>	<input type="checkbox"/>	<input type="checkbox"/>	<input type="checkbox"/>	<input type="checkbox"/>	<input type="checkbox"/>	<input type="checkbox"/>	<input type="checkbox"/>	<input type="checkbox"/>	152.0#	N/A	N/A	N/A	2943	N/A	N/A	572	
30x72	SUEAA3072-74P	<input type="checkbox"/>	<input type="checkbox"/>	<input type="checkbox"/>	<input type="checkbox"/>	<input type="checkbox"/>	<input type="checkbox"/>	<input type="checkbox"/>	<input type="checkbox"/>	<input type="checkbox"/>	<input type="checkbox"/>	<input type="checkbox"/>	132.0#	1142	N/A	N/A	N/A	25	170	680	
30x72	SUEAA3072-RNT		<input type="checkbox"/>	<input type="checkbox"/>	<input type="checkbox"/>	<input type="checkbox"/>	<input type="checkbox"/>	<input type="checkbox"/>	<input type="checkbox"/>	<input type="checkbox"/>	<input type="checkbox"/>	<input type="checkbox"/>	173.0#	N/A	2464	N/A	N/A	N/A	N/A	680	
30x72	SUEAA3072-WBB		<input type="checkbox"/>	<input type="checkbox"/>	<input type="checkbox"/>	<input type="checkbox"/>	<input type="checkbox"/>	<input type="checkbox"/>	<input type="checkbox"/>	<input type="checkbox"/>	<input type="checkbox"/>	<input type="checkbox"/>	171.0#	N/A	N/A	2321	N/A	N/A	N/A	680	
30x72	SUEAA3072-SST			<input type="checkbox"/>	<input type="checkbox"/>	<input type="checkbox"/>	<input type="checkbox"/>	<input type="checkbox"/>	<input type="checkbox"/>	<input type="checkbox"/>	<input type="checkbox"/>	<input type="checkbox"/>	173.0#	N/A	N/A	N/A	3233	N/A	N/A	680	
30x84	SUEAA3084-74P	<input type="checkbox"/>	<input type="checkbox"/>	<input type="checkbox"/>	<input type="checkbox"/>	<input type="checkbox"/>	<input type="checkbox"/>	<input type="checkbox"/>	<input type="checkbox"/>	<input type="checkbox"/>	<input type="checkbox"/>	<input type="checkbox"/>	146.0#	1376	N/A	N/A	N/A	50	350	795	
30x84	SUEAA3084-RNT		<input type="checkbox"/>	<input type="checkbox"/>	<input type="checkbox"/>	<input type="checkbox"/>	<input type="checkbox"/>	<input type="checkbox"/>	<input type="checkbox"/>	<input type="checkbox"/>	<input type="checkbox"/>	<input type="checkbox"/>	195.0#	N/A	2762	N/A	N/A	N/A	N/A	795	
30x84	SUEAA3084-WBB		<input type="checkbox"/>	<input type="checkbox"/>	<input type="checkbox"/>	<input type="checkbox"/>	<input type="checkbox"/>	<input type="checkbox"/>	<input type="checkbox"/>	<input type="checkbox"/>	<input type="checkbox"/>	<input type="checkbox"/>	191.0#	N/A	N/A	2593	N/A	N/A	N/A	795	
30x84	SUEAA3084-SST			<input type="checkbox"/>	<input type="checkbox"/>	<input type="checkbox"/>	<input type="checkbox"/>	<input type="checkbox"/>	<input type="checkbox"/>	<input type="checkbox"/>	<input type="checkbox"/>	<input type="checkbox"/>	195.0#	N/A	N/A	N/A	3554	N/A	N/A	795	



HOW TO ORDER

- Indicate the following information on order form:
- Quantity of each item.
 - Model number, including options. See "How To Build a Model Number".
 - Any special service required.

Note: • The indicates that a choice is required.
 • The absence of the indicates that no choice is required.
 • Alpha-numeric characters in place of indicate that no other alternatives are available.

HOW TO BUILD A MODEL NUMBER

- A** Select basic model.
- B** Select edge color. Refer to the **Product Color Options** page in this price list.
- C** Select surface finish. Refer to the **Product Color Options** page in this price list.
- D** Select pegboard end panel.
 - NPB** - No pegboards
 - PB1** - Pegboard on one leg; add \$73
 - PB2** - Pegboards on both legs; add \$146
- E** Select frame color. Refer to the **Product Color Options** page in this price list.
- F** Select footrest/shelf selection.
 - NFT** - No footrest
 - DFS** - Dual footrest with shelf. See pricing column for footrest upcharge.
- G** Select casters/glides.
 - GNY** - Nylon glides
 - CCC** - Casters; add \$100
- H** Select module.
 - NNN** - No power modules
 - MU1** - Qty (1) Dean under-surface module; add \$365
 - MU2** - Qty (2) Dean under-surface modules; add \$730
- I** Select module color. Refer to the **Product Color Options** page in this price list.
- J** Select cord length.
 - 9** - 9' cord length
 - 15** - 15' cord length
- K** Select bag hook.
 - NB** - No book bag hook
 - BH** - Two book bag hooks; add \$32
- L** Select bag hook color.

Refer to the **Product Color Options** page in this price list.

SPECIAL SERVICES

Special Carton Marking
 With specially marked information N/C

Shipping
 Ships **knocked down, FOB Bonduel, WI 54107, freight prepaid.** Freight class 125.

Specifications and prices are subject to change without prior notice.

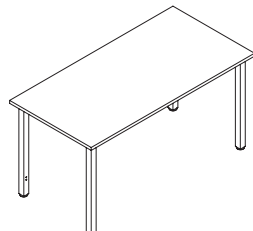
Stout™ Rectangle (Freight Excluded)

Fixed 29" Height



Stout™ Rectangle (Freight Excluded)

Fixed 29" Height

A x B	MODEL NUMBER												Approx. Packaged Weight	1-1/4" Laminate Top with 74P Edge (74P)	1" Phenolic Resin Top (RNT)	1-3/4" Butcher Block Wood Top (WBB)	1-1/2" Stainless Steel Top (SST)	Laminate Grade 2 add to list price		Laminate Grade 3 add to list price		Single Footrest
	Basic Model	Edge Color	Surf. Finish	Peg-board	Frame Color	Foot-rest/Shelf	Caster/Glide	Module	Mod. Color	Cord Length	Bag Hook	Bag Hook Color						\$		\$		
 <p>SUEAA 36" Deep</p> <ul style="list-style-type: none"> Field assembly required Vertical and horizontal wire management is included when power modules are specified Undersurface power modules install along any side of the table 	36x48	SUEAA3648-74P	<input type="checkbox"/>	<input type="checkbox"/>	<input type="checkbox"/>	<input type="checkbox"/>	<input type="checkbox"/>	<input type="checkbox"/>	146.0#	\$ 1194	N/A	N/A	N/A	\$ 35	\$ 225	\$ 210						
	36x48	SUEAA3648-RNT	<input type="checkbox"/>	<input type="checkbox"/>	<input type="checkbox"/>	<input type="checkbox"/>	<input type="checkbox"/>	<input type="checkbox"/>	179.0#	N/A	2241	N/A	N/A	N/A	N/A	210						
	36x48	SUEAA3648-WBB	<input type="checkbox"/>	<input type="checkbox"/>	<input type="checkbox"/>	<input type="checkbox"/>	<input type="checkbox"/>	<input type="checkbox"/>	177.0#	N/A	N/A	2153	N/A	N/A	210							
	36x48	SUEAA3648-SST	<input type="checkbox"/>	<input type="checkbox"/>	<input type="checkbox"/>	<input type="checkbox"/>	<input type="checkbox"/>	<input type="checkbox"/>	179.0#	N/A	N/A	N/A	2805	N/A	N/A	210						
	36x60	SUEAA3660-74P	<input type="checkbox"/>	<input type="checkbox"/>	<input type="checkbox"/>	<input type="checkbox"/>	<input type="checkbox"/>	<input type="checkbox"/>	166.0#	1302	N/A	N/A	N/A	50	350	227						
	36x60	SUEAA3660-RNT	<input type="checkbox"/>	<input type="checkbox"/>	<input type="checkbox"/>	<input type="checkbox"/>	<input type="checkbox"/>	<input type="checkbox"/>	208.0#	N/A	2537	N/A	N/A	N/A	227							
	36x60	SUEAA3660-WBB	<input type="checkbox"/>	<input type="checkbox"/>	<input type="checkbox"/>	<input type="checkbox"/>	<input type="checkbox"/>	<input type="checkbox"/>	205.0#	N/A	N/A	2440	N/A	N/A	227							
	36x60	SUEAA3660-SST	<input type="checkbox"/>	<input type="checkbox"/>	<input type="checkbox"/>	<input type="checkbox"/>	<input type="checkbox"/>	<input type="checkbox"/>	208.0#	N/A	N/A	N/A	3083	N/A	N/A	227						
	36x72	SUEAA3672-74P	<input type="checkbox"/>	<input type="checkbox"/>	<input type="checkbox"/>	<input type="checkbox"/>	<input type="checkbox"/>	<input type="checkbox"/>	186.0#	1364	N/A	N/A	N/A	50	350	241						
	36x72	SUEAA3672-RNT	<input type="checkbox"/>	<input type="checkbox"/>	<input type="checkbox"/>	<input type="checkbox"/>	<input type="checkbox"/>	<input type="checkbox"/>	236.0#	N/A	2837	N/A	N/A	N/A	241							
	36x72	SUEAA3672-WBB	<input type="checkbox"/>	<input type="checkbox"/>	<input type="checkbox"/>	<input type="checkbox"/>	<input type="checkbox"/>	<input type="checkbox"/>	233.0#	N/A	N/A	2773	N/A	N/A	241							
	36x72	SUEAA3672-SST	<input type="checkbox"/>	<input type="checkbox"/>	<input type="checkbox"/>	<input type="checkbox"/>	<input type="checkbox"/>	<input type="checkbox"/>	236.0#	N/A	N/A	N/A	3365	N/A	N/A	241						
36x84	SUEAA3684-74P	<input type="checkbox"/>	<input type="checkbox"/>	<input type="checkbox"/>	<input type="checkbox"/>	<input type="checkbox"/>	<input type="checkbox"/>	206.0#	1602	N/A	N/A	N/A	70	450	257							
36x84	SUEAA3684-RNT	<input type="checkbox"/>	<input type="checkbox"/>	<input type="checkbox"/>	<input type="checkbox"/>	<input type="checkbox"/>	<input type="checkbox"/>	265.0#	N/A	3147	N/A	N/A	N/A	N/A	257							
36x84	SUEAA3684-WBB	<input type="checkbox"/>	<input type="checkbox"/>	<input type="checkbox"/>	<input type="checkbox"/>	<input type="checkbox"/>	<input type="checkbox"/>	261.0#	N/A	N/A	3074	N/A	N/A	N/A	257							
36x84	SUEAA3684-SST	<input type="checkbox"/>	<input type="checkbox"/>	<input type="checkbox"/>	<input type="checkbox"/>	<input type="checkbox"/>	<input type="checkbox"/>	265.0#	N/A	N/A	N/A	3701	N/A	N/A	257							
<p>SUEAA 42" Deep</p> <ul style="list-style-type: none"> Field assembly required Vertical and horizontal wire management is included when power modules are specified Undersurface power modules install along any side of the table 	42x48	SUEAA4248-74P	<input type="checkbox"/>	<input type="checkbox"/>	<input type="checkbox"/>	<input type="checkbox"/>	<input type="checkbox"/>	<input type="checkbox"/>	165.0#	\$ 1376	N/A	N/A	N/A	\$ 35	\$ 225	\$ 221						
	42x48	SUEAA4248-RNT	<input type="checkbox"/>	<input type="checkbox"/>	<input type="checkbox"/>	<input type="checkbox"/>	<input type="checkbox"/>	<input type="checkbox"/>	204.0#	N/A	2434	N/A	N/A	N/A	N/A	221						
	42x48	SUEAA4248-WBB	<input type="checkbox"/>	<input type="checkbox"/>	<input type="checkbox"/>	<input type="checkbox"/>	<input type="checkbox"/>	<input type="checkbox"/>	201.0#	N/A	N/A	2406	N/A	N/A	221							
	42x48	SUEAA4248-SST	<input type="checkbox"/>	<input type="checkbox"/>	<input type="checkbox"/>	<input type="checkbox"/>	<input type="checkbox"/>	<input type="checkbox"/>	204.0#	N/A	N/A	N/A	2851	N/A	N/A	221						
	42x60	SUEAA4260-74P	<input type="checkbox"/>	<input type="checkbox"/>	<input type="checkbox"/>	<input type="checkbox"/>	<input type="checkbox"/>	<input type="checkbox"/>	187.0#	1410	N/A	N/A	N/A	50	350	235						
	42x60	SUEAA4260-RNT	<input type="checkbox"/>	<input type="checkbox"/>	<input type="checkbox"/>	<input type="checkbox"/>	<input type="checkbox"/>	<input type="checkbox"/>	236.0#	N/A	2821	N/A	N/A	N/A	235							
	42x60	SUEAA4260-WBB	<input type="checkbox"/>	<input type="checkbox"/>	<input type="checkbox"/>	<input type="checkbox"/>	<input type="checkbox"/>	<input type="checkbox"/>	232.0#	N/A	N/A	2677	N/A	N/A	235							
	42x60	SUEAA4260-SST	<input type="checkbox"/>	<input type="checkbox"/>	<input type="checkbox"/>	<input type="checkbox"/>	<input type="checkbox"/>	<input type="checkbox"/>	236.0#	N/A	N/A	N/A	3244	N/A	N/A	235						
	42x72	SUEAA4272-74P	<input type="checkbox"/>	<input type="checkbox"/>	<input type="checkbox"/>	<input type="checkbox"/>	<input type="checkbox"/>	<input type="checkbox"/>	209.0#	1461	N/A	N/A	N/A	50	350	250						
	42x72	SUEAA4272-RNT	<input type="checkbox"/>	<input type="checkbox"/>	<input type="checkbox"/>	<input type="checkbox"/>	<input type="checkbox"/>	<input type="checkbox"/>	268.0#	N/A	3121	N/A	N/A	N/A	250							
	42x72	SUEAA4272-WBB	<input type="checkbox"/>	<input type="checkbox"/>	<input type="checkbox"/>	<input type="checkbox"/>	<input type="checkbox"/>	<input type="checkbox"/>	264.0#	N/A	N/A	3087	N/A	N/A	250							
	42x72	SUEAA4272-SST	<input type="checkbox"/>	<input type="checkbox"/>	<input type="checkbox"/>	<input type="checkbox"/>	<input type="checkbox"/>	<input type="checkbox"/>	268.0#	N/A	N/A	N/A	3539	N/A	N/A	250						
42x84	SUEAA4284-74P	<input type="checkbox"/>	<input type="checkbox"/>	<input type="checkbox"/>	<input type="checkbox"/>	<input type="checkbox"/>	<input type="checkbox"/>	231.0#	1672	N/A	N/A	N/A	70	450	263							
42x84	SUEAA4284-RNT	<input type="checkbox"/>	<input type="checkbox"/>	<input type="checkbox"/>	<input type="checkbox"/>	<input type="checkbox"/>	<input type="checkbox"/>	300.0#	N/A	3521	N/A	N/A	N/A	N/A	263							
42x84	SUEAA4284-WBB	<input type="checkbox"/>	<input type="checkbox"/>	<input type="checkbox"/>	<input type="checkbox"/>	<input type="checkbox"/>	<input type="checkbox"/>	295.0#	N/A	N/A	3464	N/A	N/A	N/A	263							
42x84	SUEAA4284-SST	<input type="checkbox"/>	<input type="checkbox"/>	<input type="checkbox"/>	<input type="checkbox"/>	<input type="checkbox"/>	<input type="checkbox"/>	300.0#	N/A	N/A	N/A	4070	N/A	N/A	263							

A **B** **C** **D** **E** **F** **G** **H** **I** **J** **K** **L**

HOW TO ORDER

- Indicate the following information on order form:
- Quantity of each item.
 - Model number, including options. See "How To Build a Model Number".
 - Any special service required.

Note: • The indicates that a choice is required.
 • The absence of the indicates that no choice is required.
 • Alpha-numeric characters in place of indicate that no other alternatives are available.

HOW TO BUILD A MODEL NUMBER

- A** Select basic model.
- B** Select edge color. Refer to the **Product Color Options** page in this price list.
- C** Select surface finish. Refer to the **Product Color Options** page in this price list.
- D** Select pegboard end panel.
 - NPB** - No pegboards
 - PB1** - Pegboard on one leg; add \$73
 - PB2** - Pegboards on both legs; add \$146
- E** Select frame color. Refer to the **Product Color Options** page in this price list.
- F** Select footrest/shelf selection.
 - NFT** - No footrest
 - SFT** - Single footrest
 See pricing column for footrest upcharge.
- G** Select casters/glides.
 - GNV** - Nylon glides
 - CCC** - Casters; add \$100
- H** Select module.
 - NNN** - No power modules
 - MU1** - Qty (1) Dean under-surface module; add \$365
 - MU2** - Qty (2) Dean under-surface modules; add \$730
- I** Select module color. Refer to the **Product Color Options** page in this price list.
- J** Select cord length.
 - 9** - 9' cord length
 - 15** - 15' cord length
- K** Select bag hook.
 - NB** - No book bag hook
 - BH** - Four book bag hooks; add \$64
- L** Select bag hook color.

Refer to the **Product Color Options** page in this price list.

SPECIAL SERVICES

Special Carton Marking

With specially marked information N/C

Shipping

Ships **knocked down, FOB Bonduel, WI 54107, freight prepaid.** Freight class 125.

Specifications and prices are subject to change without prior notice.

Stout™ Rectangle (Freight Excluded)

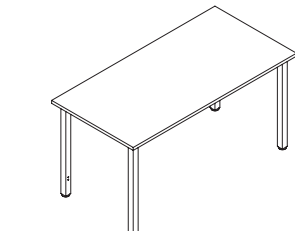
Fixed 29" Height



Stout™ Rectangle (Freight Excluded)

Fixed 29" Height

A x B	MODEL NUMBER													Approx. Packaged Weight	1-1/4" Laminate Top with 74P Edge (74P)	1" Phenolic Resin Top (RNT)	1-3/4" Butcher Block Wood Top (WBB)	1-1/2" Stainless Steel Top (SST)	Laminate Grade 2 add to list price	Laminate Grade 3 add to list price	Single Footrest	Dual Footrest	Dual Footrest w/Shelf
	Basic Model	Edge Color	Surf. Finish	Peg-board	Frame Color	Foot-rest/Shelf	Shelf Color	Caster/Glide	Module	Mod. Color	Cord Length	Bag Hook	Bag Hook Color										
48x48	SUEAA4848-74P	<input type="checkbox"/>	<input type="checkbox"/>	<input type="checkbox"/>	<input type="checkbox"/>	<input type="checkbox"/>	<input type="checkbox"/>	<input type="checkbox"/>	<input type="checkbox"/>	<input type="checkbox"/>	<input type="checkbox"/>	<input type="checkbox"/>	<input type="checkbox"/>	178.0#	\$ 1316	N/A	N/A	N/A	\$ 35	\$ 225	\$ 230	\$ 330	\$ 571
48x48	SUEAA4848-RNT		<input type="checkbox"/>	<input type="checkbox"/>	<input type="checkbox"/>	<input type="checkbox"/>	<input type="checkbox"/>	<input type="checkbox"/>	<input type="checkbox"/>	<input type="checkbox"/>	<input type="checkbox"/>	<input type="checkbox"/>	<input type="checkbox"/>	223.0#	N/A	2630	N/A	N/A	N/A	N/A	230	330	571
48x48	SUEAA4848-WBB		<input type="checkbox"/>	<input type="checkbox"/>	<input type="checkbox"/>	<input type="checkbox"/>	<input type="checkbox"/>	<input type="checkbox"/>	<input type="checkbox"/>	<input type="checkbox"/>	<input type="checkbox"/>	<input type="checkbox"/>	<input type="checkbox"/>	220.0#	N/A	N/A	2655	N/A	N/A	N/A	230	330	571
48x48	SUEAA4848-SST			<input type="checkbox"/>	<input type="checkbox"/>	<input type="checkbox"/>	<input type="checkbox"/>	<input type="checkbox"/>	<input type="checkbox"/>	<input type="checkbox"/>	<input type="checkbox"/>	<input type="checkbox"/>	<input type="checkbox"/>	223.0#	N/A	N/A	N/A	3084	N/A	N/A	230	330	571
48x60	SUEAA4860-74P	<input type="checkbox"/>	<input type="checkbox"/>	<input type="checkbox"/>	<input type="checkbox"/>	<input type="checkbox"/>	<input type="checkbox"/>	<input type="checkbox"/>	<input type="checkbox"/>	<input type="checkbox"/>	<input type="checkbox"/>	<input type="checkbox"/>	<input type="checkbox"/>	203.0#	1431	N/A	N/A	N/A	50	350	244	346	613
48x60	SUEAA4860-RNT		<input type="checkbox"/>	<input type="checkbox"/>	<input type="checkbox"/>	<input type="checkbox"/>	<input type="checkbox"/>	<input type="checkbox"/>	<input type="checkbox"/>	<input type="checkbox"/>	<input type="checkbox"/>	<input type="checkbox"/>	<input type="checkbox"/>	259.0#	N/A	3016	N/A	N/A	N/A	N/A	244	346	613
48x60	SUEAA4860-WBB		<input type="checkbox"/>	<input type="checkbox"/>	<input type="checkbox"/>	<input type="checkbox"/>	<input type="checkbox"/>	<input type="checkbox"/>	<input type="checkbox"/>	<input type="checkbox"/>	<input type="checkbox"/>	<input type="checkbox"/>	<input type="checkbox"/>	255.0#	N/A	N/A	3191	N/A	N/A	N/A	244	346	613
48x60	SUEAA4860-SST			<input type="checkbox"/>	<input type="checkbox"/>	<input type="checkbox"/>	<input type="checkbox"/>	<input type="checkbox"/>	<input type="checkbox"/>	<input type="checkbox"/>	<input type="checkbox"/>	<input type="checkbox"/>	<input type="checkbox"/>	259.0#	N/A	N/A	N/A	3405	N/A	N/A	244	346	613
48x72	SUEAA4872-74P	<input type="checkbox"/>	<input type="checkbox"/>	<input type="checkbox"/>	<input type="checkbox"/>	<input type="checkbox"/>	<input type="checkbox"/>	<input type="checkbox"/>	<input type="checkbox"/>	<input type="checkbox"/>	<input type="checkbox"/>	<input type="checkbox"/>	<input type="checkbox"/>	227.0#	1514	N/A	N/A	N/A	50	350	259	371	721
48x72	SUEAA4872-RNT		<input type="checkbox"/>	<input type="checkbox"/>	<input type="checkbox"/>	<input type="checkbox"/>	<input type="checkbox"/>	<input type="checkbox"/>	<input type="checkbox"/>	<input type="checkbox"/>	<input type="checkbox"/>	<input type="checkbox"/>	<input type="checkbox"/>	294.0#	N/A	3408	N/A	N/A	N/A	N/A	259	371	721
48x72	SUEAA4872-WBB		<input type="checkbox"/>	<input type="checkbox"/>	<input type="checkbox"/>	<input type="checkbox"/>	<input type="checkbox"/>	<input type="checkbox"/>	<input type="checkbox"/>	<input type="checkbox"/>	<input type="checkbox"/>	<input type="checkbox"/>	<input type="checkbox"/>	289.0#	N/A	N/A	3651	N/A	N/A	N/A	259	371	721
48x72	SUEAA4872-SST			<input type="checkbox"/>	<input type="checkbox"/>	<input type="checkbox"/>	<input type="checkbox"/>	<input type="checkbox"/>	<input type="checkbox"/>	<input type="checkbox"/>	<input type="checkbox"/>	<input type="checkbox"/>	<input type="checkbox"/>	294.0#	N/A	N/A	N/A	3716	N/A	N/A	259	371	721
48x84	SUEAA4884-74P	<input type="checkbox"/>	<input type="checkbox"/>	<input type="checkbox"/>	<input type="checkbox"/>	<input type="checkbox"/>	<input type="checkbox"/>	<input type="checkbox"/>	<input type="checkbox"/>	<input type="checkbox"/>	<input type="checkbox"/>	<input type="checkbox"/>	<input type="checkbox"/>	251.0#	1722	N/A	N/A	N/A	70	450	270	374	817
48x84	SUEAA4884-RNT		<input type="checkbox"/>	<input type="checkbox"/>	<input type="checkbox"/>	<input type="checkbox"/>	<input type="checkbox"/>	<input type="checkbox"/>	<input type="checkbox"/>	<input type="checkbox"/>	<input type="checkbox"/>	<input type="checkbox"/>	<input type="checkbox"/>	329.0#	N/A	3806	N/A	N/A	N/A	N/A	270	374	817
48x84	SUEAA4884-WBB		<input type="checkbox"/>	<input type="checkbox"/>	<input type="checkbox"/>	<input type="checkbox"/>	<input type="checkbox"/>	<input type="checkbox"/>	<input type="checkbox"/>	<input type="checkbox"/>	<input type="checkbox"/>	<input type="checkbox"/>	<input type="checkbox"/>	324.0#	N/A	N/A	4155	N/A	N/A	N/A	270	374	817
48x84	SUEAA4884-SST			<input type="checkbox"/>	<input type="checkbox"/>	<input type="checkbox"/>	<input type="checkbox"/>	<input type="checkbox"/>	<input type="checkbox"/>	<input type="checkbox"/>	<input type="checkbox"/>	<input type="checkbox"/>	<input type="checkbox"/>	329.0#	N/A	N/A	N/A	4553	N/A	N/A	270	374	817



- SUEAA
48" Deep
- Field assembly required
 - Vertical and horizontal wire management is included when power modules are specified
 - Undersurface power modules install along any side of the table

HOW TO ORDER

- Indicate the following information on order form:
1. Quantity of each item.
 2. Model number, including options. See "How To Build a Model Number".
 3. Any special service required.

Note: • The indicates that a choice is required.
• The absence of the indicates that no choice is required.
• Alpha-numeric characters in place of indicate that no other alternatives are available.

HOW TO BUILD A MODEL NUMBER

- A** Select basic model.
- B** Select edge color. Refer to the **Product Color Options** page in this price list.
- C** Select surface finish. Refer to the **Product Color Options** page in this price list.
- D** Select pegboard end panel.
NPB - No pegboards
PB1 - Pegboard on one leg; add \$73
PB2 - Pegboards on both legs; add \$146
- E** Select frame color. Refer to the **Product Color Options** page in this price list.
- F** Select footrest/shelf selection.
NFT - No footrest
SFT - Single footrest
DFT - Dual footrest

- DFS** - Dual footrest with shelf. See pricing column for footrest upcharge.
- G** Select shelf color. Refer to the **Product Color Options** page in this price list.
- H** Select casters/glides.
GNV - Nylon glides
CCC - Casters; add \$100
- I** Select module.
NNN - No power modules
MU1 - Qty (1) Dean under-surface module; add \$365
MU2 - Qty (2) Dean under-surface modules; add \$730
- J** Select module color. Refer to the **Product Color Options** page in this price list.
- K** Select cord length.
9 - 9' cord length
15 - 15' cord length

- L** Select bag hook.
NB - No book bag hook
BH - Four book bag hooks; add \$64
- M** Select bag hook color. Refer to the **Product Color Options** page in this price list.

SPECIAL SERVICES

Special Carton Marking
With specially marked information N/C

Shipping
Ships **knocked down**, FOB **Bonduel, WI 54107**, freight **prepaid**. Freight class 125.

Specifications and prices are subject to change without prior notice.

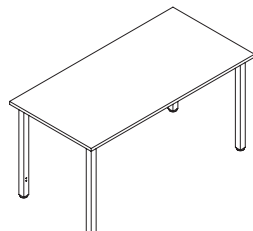
Stout™ Rectangle (Freight Excluded)

Fixed 36" Height



Stout™ Rectangle (Freight Excluded)

Fixed 36" Height

A x B	MODEL NUMBER												Approx. Packaged Weight	1-1/4" Laminate Top with 74P Edge (74P)	1" Phenolic Resin Top (RNT)	1-3/4" Butcher Block Wood Top (WBB)	1-1/2" Stainless Steel Top (SST)	Laminate Grade 2 add to list price	Laminate Grade 3 add to list price	Single Footrest	Dual Footrest	Dual Footrest w/Shelf
	Basic Model	Edge Color	Surf. Finish	Peg-board	Frame Color	Foot-rest/Shelf	Caster/Glide	Module	Mod. Color	Cord Length	Bag Hook	Bag Hook Color										
 <p>SUEBA 24" Deep</p> <ul style="list-style-type: none"> Field assembly required Vertical and horizontal wire management is included when power modules are specified Undersurface power modules install along any side of the table Casters cannot be used on 24" deep tables Dual footrests are not available on 24" deep tables 	24x48	SUEBA2448-74P	<input type="checkbox"/>	<input type="checkbox"/>	<input type="checkbox"/>	<input type="checkbox"/>	<input type="checkbox"/>	<input type="checkbox"/>	<input type="checkbox"/>	<input type="checkbox"/>	<input type="checkbox"/>	108.0#	\$ 940	N/A	N/A	N/A	\$ 18	\$ 115	\$ 193	N/A	N/A	
	24x48	SUEBA2448-RNT	<input type="checkbox"/>	<input type="checkbox"/>	<input type="checkbox"/>	<input type="checkbox"/>	<input type="checkbox"/>	<input type="checkbox"/>	<input type="checkbox"/>	<input type="checkbox"/>	<input type="checkbox"/>	130.0#	N/A	1793	N/A	N/A	N/A	N/A	193	N/A	N/A	
	24x48	SUEBA2448-WBB	<input type="checkbox"/>	<input type="checkbox"/>	<input type="checkbox"/>	<input type="checkbox"/>	<input type="checkbox"/>	<input type="checkbox"/>	<input type="checkbox"/>	<input type="checkbox"/>	<input type="checkbox"/>	129.0#	N/A	N/A	1686	N/A	N/A	N/A	193	N/A	N/A	
	24x48	SUEBA2448-SST	<input type="checkbox"/>	<input type="checkbox"/>	<input type="checkbox"/>	<input type="checkbox"/>	<input type="checkbox"/>	<input type="checkbox"/>	<input type="checkbox"/>	<input type="checkbox"/>	<input type="checkbox"/>	130.0#	N/A	N/A	N/A	2402	N/A	N/A	193	N/A	N/A	
	24x60	SUEBA2460-74P	<input type="checkbox"/>	<input type="checkbox"/>	<input type="checkbox"/>	<input type="checkbox"/>	<input type="checkbox"/>	<input type="checkbox"/>	<input type="checkbox"/>	<input type="checkbox"/>	<input type="checkbox"/>	122.0#	1023	N/A	N/A	N/A	25	170	205	N/A	N/A	
	24x60	SUEBA2460-RNT	<input type="checkbox"/>	<input type="checkbox"/>	<input type="checkbox"/>	<input type="checkbox"/>	<input type="checkbox"/>	<input type="checkbox"/>	<input type="checkbox"/>	<input type="checkbox"/>	<input type="checkbox"/>	150.0#	N/A	1991	N/A	N/A	N/A	N/A	205	N/A	N/A	
	24x60	SUEBA2460-WBB	<input type="checkbox"/>	<input type="checkbox"/>	<input type="checkbox"/>	<input type="checkbox"/>	<input type="checkbox"/>	<input type="checkbox"/>	<input type="checkbox"/>	<input type="checkbox"/>	<input type="checkbox"/>	148.0#	N/A	N/A	1838	N/A	N/A	N/A	205	N/A	N/A	
	24x60	SUEBA2460-SST	<input type="checkbox"/>	<input type="checkbox"/>	<input type="checkbox"/>	<input type="checkbox"/>	<input type="checkbox"/>	<input type="checkbox"/>	<input type="checkbox"/>	<input type="checkbox"/>	<input type="checkbox"/>	150.0#	N/A	N/A	N/A	2622	N/A	N/A	205	N/A	N/A	
	24x72	SUEBA2472-74P	<input type="checkbox"/>	<input type="checkbox"/>	<input type="checkbox"/>	<input type="checkbox"/>	<input type="checkbox"/>	<input type="checkbox"/>	<input type="checkbox"/>	<input type="checkbox"/>	<input type="checkbox"/>	140.0#	1080	N/A	N/A	N/A	25	170	220	N/A	N/A	
	24x72	SUEBA2472-RNT	<input type="checkbox"/>	<input type="checkbox"/>	<input type="checkbox"/>	<input type="checkbox"/>	<input type="checkbox"/>	<input type="checkbox"/>	<input type="checkbox"/>	<input type="checkbox"/>	<input type="checkbox"/>	169.0#	N/A	2193	N/A	N/A	N/A	N/A	220	N/A	N/A	
	24x72	SUEBA2472-WBB	<input type="checkbox"/>	<input type="checkbox"/>	<input type="checkbox"/>	<input type="checkbox"/>	<input type="checkbox"/>	<input type="checkbox"/>	<input type="checkbox"/>	<input type="checkbox"/>	<input type="checkbox"/>	167.0#	N/A	N/A	2044	N/A	N/A	N/A	220	N/A	N/A	
	24x72	SUEBA2472-SST	<input type="checkbox"/>	<input type="checkbox"/>	<input type="checkbox"/>	<input type="checkbox"/>	<input type="checkbox"/>	<input type="checkbox"/>	<input type="checkbox"/>	<input type="checkbox"/>	<input type="checkbox"/>	169.0#	N/A	N/A	N/A	2871	N/A	N/A	220	N/A	N/A	
<p>SUEBA 30" Deep</p> <ul style="list-style-type: none"> Field assembly required Vertical and horizontal wire management is included when power modules are specified Undersurface power modules install along any side of the table 	30x48	SUEBA3048-74P	<input type="checkbox"/>	<input type="checkbox"/>	<input type="checkbox"/>	<input type="checkbox"/>	<input type="checkbox"/>	<input type="checkbox"/>	<input type="checkbox"/>	<input type="checkbox"/>	122.0#	\$ 1034	N/A	N/A	N/A	\$ 25	\$ 170	\$ 200	\$ 280	\$ 521		
	30x48	SUEBA3048-RNT	<input type="checkbox"/>	<input type="checkbox"/>	<input type="checkbox"/>	<input type="checkbox"/>	<input type="checkbox"/>	<input type="checkbox"/>	<input type="checkbox"/>	<input type="checkbox"/>	150.0#	N/A	1990	N/A	N/A	N/A	N/A	200	280	521		
	30x48	SUEBA3048-WBB	<input type="checkbox"/>	<input type="checkbox"/>	<input type="checkbox"/>	<input type="checkbox"/>	<input type="checkbox"/>	<input type="checkbox"/>	<input type="checkbox"/>	<input type="checkbox"/>	148.0#	N/A	N/A	1880	N/A	N/A	N/A	200	280	521		
	30x48	SUEBA3048-SST	<input type="checkbox"/>	<input type="checkbox"/>	<input type="checkbox"/>	<input type="checkbox"/>	<input type="checkbox"/>	<input type="checkbox"/>	<input type="checkbox"/>	<input type="checkbox"/>	150.0#	N/A	N/A	N/A	2704	N/A	N/A	200	280	521		
	30x60	SUEBA3060-74P	<input type="checkbox"/>	<input type="checkbox"/>	<input type="checkbox"/>	<input type="checkbox"/>	<input type="checkbox"/>	<input type="checkbox"/>	<input type="checkbox"/>	<input type="checkbox"/>	138.0#	1105	N/A	N/A	N/A	25	170	220	305	572		
	30x60	SUEBA3060-RNT	<input type="checkbox"/>	<input type="checkbox"/>	<input type="checkbox"/>	<input type="checkbox"/>	<input type="checkbox"/>	<input type="checkbox"/>	<input type="checkbox"/>	<input type="checkbox"/>	173.0#	N/A	2278	N/A	N/A	N/A	N/A	220	305	572		
	30x60	SUEBA3060-WBB	<input type="checkbox"/>	<input type="checkbox"/>	<input type="checkbox"/>	<input type="checkbox"/>	<input type="checkbox"/>	<input type="checkbox"/>	<input type="checkbox"/>	<input type="checkbox"/>	171.0#	N/A	N/A	2081	N/A	N/A	N/A	220	305	572		
	30x60	SUEBA3060-SST	<input type="checkbox"/>	<input type="checkbox"/>	<input type="checkbox"/>	<input type="checkbox"/>	<input type="checkbox"/>	<input type="checkbox"/>	<input type="checkbox"/>	<input type="checkbox"/>	173.0#	N/A	N/A	N/A	2960	N/A	N/A	220	305	572		
	30x72	SUEBA3072-74P	<input type="checkbox"/>	<input type="checkbox"/>	<input type="checkbox"/>	<input type="checkbox"/>	<input type="checkbox"/>	<input type="checkbox"/>	<input type="checkbox"/>	<input type="checkbox"/>	154.0#	1160	N/A	N/A	N/A	25	170	230	329	680		
	30x72	SUEBA3072-RNT	<input type="checkbox"/>	<input type="checkbox"/>	<input type="checkbox"/>	<input type="checkbox"/>	<input type="checkbox"/>	<input type="checkbox"/>	<input type="checkbox"/>	<input type="checkbox"/>	196.0#	N/A	2480	N/A	N/A	N/A	N/A	230	329	680		
	30x72	SUEBA3072-WBB	<input type="checkbox"/>	<input type="checkbox"/>	<input type="checkbox"/>	<input type="checkbox"/>	<input type="checkbox"/>	<input type="checkbox"/>	<input type="checkbox"/>	<input type="checkbox"/>	193.0#	N/A	N/A	2337	N/A	N/A	N/A	230	329	680		
	30x72	SUEBA3072-SST	<input type="checkbox"/>	<input type="checkbox"/>	<input type="checkbox"/>	<input type="checkbox"/>	<input type="checkbox"/>	<input type="checkbox"/>	<input type="checkbox"/>	<input type="checkbox"/>	196.0#	N/A	N/A	N/A	3250	N/A	N/A	230	329	680		
30x84	SUEBA3084-74P	<input type="checkbox"/>	<input type="checkbox"/>	<input type="checkbox"/>	<input type="checkbox"/>	<input type="checkbox"/>	<input type="checkbox"/>	<input type="checkbox"/>	<input type="checkbox"/>	171.0#	1394	N/A	N/A	N/A	50	350	246	352	795			
30x84	SUEBA3084-RNT	<input type="checkbox"/>	<input type="checkbox"/>	<input type="checkbox"/>	<input type="checkbox"/>	<input type="checkbox"/>	<input type="checkbox"/>	<input type="checkbox"/>	<input type="checkbox"/>	219.0#	N/A	2778	N/A	N/A	N/A	N/A	246	352	795			
30x84	SUEBA3084-WBB	<input type="checkbox"/>	<input type="checkbox"/>	<input type="checkbox"/>	<input type="checkbox"/>	<input type="checkbox"/>	<input type="checkbox"/>	<input type="checkbox"/>	<input type="checkbox"/>	216.0#	N/A	N/A	2609	N/A	N/A	N/A	246	352	795			
30x84	SUEBA3084-SST	<input type="checkbox"/>	<input type="checkbox"/>	<input type="checkbox"/>	<input type="checkbox"/>	<input type="checkbox"/>	<input type="checkbox"/>	<input type="checkbox"/>	<input type="checkbox"/>	219.0#	N/A	N/A	N/A	3571	N/A	N/A	246	352	795			

HOW TO ORDER

- Indicate the following information on order form:
- Quantity of each item.
 - Model number, including options. See "How to Build a Model Number".
 - Any special service required.

Note: • The indicates that a choice is required.
 • The absence of the indicates that no choice is required.
 • Alpha-numeric characters in place of indicate that no other alternatives are available.

HOW TO BUILD A MODEL NUMBER

- A** Select basic model.
- B** Select edge color. Refer to the **Product Color Options** page in this price list.
- C** Select surface finish. Refer to the **Product Color Options** page in this price list.
- D** Select pegboard end panel.
 - NPB** - No pegboards
 - PB1** - Pegboard on one leg; add \$73
 - PB2** - Pegboards on both legs; add \$146
- E** Select frame color. Refer to the **Product Color Options** page in this price list.
- F** Select footrest/shelf selection.
 - NFT** - No footrest
 - SFT** - Single footrest
 - DFT** - Dual footrest

- DFS** - Dual footrest with shelf. See pricing column for footrest upcharge.
- G** Select casters/glides.
 - GNV** - Nylon glides
 - CCC** - Casters; add \$100
- H** Select module.
 - NNN** - No power modules
 - MU1** - Qty (1) Dean under-surface module; add \$365
 - MU2** - Qty (2) Dean under-surface modules; add \$730
- I** Select module color. Refer to the **Product Color Options** page in this price list.
- J** Select cord length.
 - 9** - 9' cord length
 - 15** - 15' cord length
- K** Select bag hook.
 - NB** - No book bag hook
 - BH** - Two book bag hooks; add \$32

L Select bag hook color. Refer to the **Product Color Options** page in this price list.

SPECIAL SERVICES

Special Carton Marking
 With specially marked information N/C

Shipping
 Ships **knocked down, FOB Bonduel, WI 54107, freight prepaid.** Freight class 125.

Specifications and prices are subject to change without prior notice.

Stout™ Rectangle (Freight Excluded)

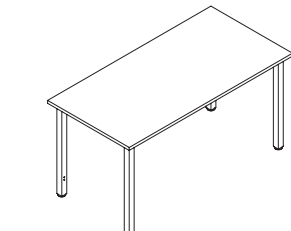
Fixed 36" Height



Stout™ Rectangle (Freight Excluded)

Fixed 36" Height

A x B	MODEL NUMBER	Basic Model	Edge Color	Surf. Finish	Peg-board	Frame Color	Foot-rest/Shelf	Caster/Glide	Module	Mod. Color	Cord Length	Bag Hook	Bag Hook Color	Approx. Packaged Weight	Top Options				Laminate Grade 2 add to list price	Single Footrest	Laminate Grade 3 add to list price	Dual Footrest	Dual Footrest w/Shelf
															1-1/4" Laminate Top with 74P Edge (74P)	1" Phenolic Resin Top (RNT)	1-3/4" Butcher Block Wood Top (WBB)	1-1/2" Stainless Steel Top (SST)					
36x48	SUEBA3648-74P		<input type="checkbox"/>	<input type="checkbox"/>	<input type="checkbox"/>	<input type="checkbox"/>	<input type="checkbox"/>	<input type="checkbox"/>	<input type="checkbox"/>	<input type="checkbox"/>	<input type="checkbox"/>	<input type="checkbox"/>	<input type="checkbox"/>	151.0#	\$ 1213	N/A	N/A	N/A	\$ 35	\$ 210	\$ 225	\$ 297	\$ 538
36x48	SUEBA3648-RNT			<input type="checkbox"/>	<input type="checkbox"/>	<input type="checkbox"/>	<input type="checkbox"/>	<input type="checkbox"/>	<input type="checkbox"/>	<input type="checkbox"/>	<input type="checkbox"/>	<input type="checkbox"/>	<input type="checkbox"/>	185.0#	N/A	2257	N/A	N/A	N/A	210	N/A	297	538
36x48	SUEBA3648-WBB			<input type="checkbox"/>	<input type="checkbox"/>	<input type="checkbox"/>	<input type="checkbox"/>	<input type="checkbox"/>	<input type="checkbox"/>	<input type="checkbox"/>	<input type="checkbox"/>	<input type="checkbox"/>	<input type="checkbox"/>	183.0#	N/A	N/A	2169	N/A	N/A	210	N/A	297	538
36x48	SUEBA3648-SST				<input type="checkbox"/>	<input type="checkbox"/>	<input type="checkbox"/>	<input type="checkbox"/>	<input type="checkbox"/>	<input type="checkbox"/>	<input type="checkbox"/>	<input type="checkbox"/>	<input type="checkbox"/>	185.0#	N/A	N/A	N/A	2822	N/A	210	N/A	297	538
36x60	SUEBA3660-74P		<input type="checkbox"/>	<input type="checkbox"/>	<input type="checkbox"/>	<input type="checkbox"/>	<input type="checkbox"/>	<input type="checkbox"/>	<input type="checkbox"/>	<input type="checkbox"/>	<input type="checkbox"/>	<input type="checkbox"/>	<input type="checkbox"/>	172.0#	1320	N/A	N/A	N/A	50	227	350	314	581
36x60	SUEBA3660-RNT			<input type="checkbox"/>	<input type="checkbox"/>	<input type="checkbox"/>	<input type="checkbox"/>	<input type="checkbox"/>	<input type="checkbox"/>	<input type="checkbox"/>	<input type="checkbox"/>	<input type="checkbox"/>	<input type="checkbox"/>	213.0#	N/A	2554	N/A	N/A	N/A	227	N/A	314	581
36x60	SUEBA3660-WBB			<input type="checkbox"/>	<input type="checkbox"/>	<input type="checkbox"/>	<input type="checkbox"/>	<input type="checkbox"/>	<input type="checkbox"/>	<input type="checkbox"/>	<input type="checkbox"/>	<input type="checkbox"/>	<input type="checkbox"/>	210.0#	N/A	N/A	2457	N/A	N/A	227	N/A	314	581
36x60	SUEBA3660-SST				<input type="checkbox"/>	<input type="checkbox"/>	<input type="checkbox"/>	<input type="checkbox"/>	<input type="checkbox"/>	<input type="checkbox"/>	<input type="checkbox"/>	<input type="checkbox"/>	<input type="checkbox"/>	213.0#	N/A	N/A	N/A	3100	N/A	227	N/A	314	581
36x72	SUEBA3672-74P		<input type="checkbox"/>	<input type="checkbox"/>	<input type="checkbox"/>	<input type="checkbox"/>	<input type="checkbox"/>	<input type="checkbox"/>	<input type="checkbox"/>	<input type="checkbox"/>	<input type="checkbox"/>	<input type="checkbox"/>	<input type="checkbox"/>	192.0#	1382	N/A	N/A	N/A	50	241	350	338	689
36x72	SUEBA3672-RNT			<input type="checkbox"/>	<input type="checkbox"/>	<input type="checkbox"/>	<input type="checkbox"/>	<input type="checkbox"/>	<input type="checkbox"/>	<input type="checkbox"/>	<input type="checkbox"/>	<input type="checkbox"/>	<input type="checkbox"/>	242.0#	N/A	2853	N/A	N/A	N/A	241	N/A	338	689
36x72	SUEBA3672-WBB			<input type="checkbox"/>	<input type="checkbox"/>	<input type="checkbox"/>	<input type="checkbox"/>	<input type="checkbox"/>	<input type="checkbox"/>	<input type="checkbox"/>	<input type="checkbox"/>	<input type="checkbox"/>	<input type="checkbox"/>	238.0#	N/A	N/A	2790	N/A	N/A	241	N/A	338	689
36x72	SUEBA3672-SST				<input type="checkbox"/>	<input type="checkbox"/>	<input type="checkbox"/>	<input type="checkbox"/>	<input type="checkbox"/>	<input type="checkbox"/>	<input type="checkbox"/>	<input type="checkbox"/>	<input type="checkbox"/>	242.0#	N/A	N/A	N/A	3382	N/A	241	N/A	338	689
36x84	SUEBA3684-74P		<input type="checkbox"/>	<input type="checkbox"/>	<input type="checkbox"/>	<input type="checkbox"/>	<input type="checkbox"/>	<input type="checkbox"/>	<input type="checkbox"/>	<input type="checkbox"/>	<input type="checkbox"/>	<input type="checkbox"/>	<input type="checkbox"/>	212.0#	1620	N/A	N/A	N/A	70	257	450	361	804
36x84	SUEBA3684-RNT			<input type="checkbox"/>	<input type="checkbox"/>	<input type="checkbox"/>	<input type="checkbox"/>	<input type="checkbox"/>	<input type="checkbox"/>	<input type="checkbox"/>	<input type="checkbox"/>	<input type="checkbox"/>	<input type="checkbox"/>	270.0#	N/A	3163	N/A	N/A	N/A	257	N/A	361	804
36x84	SUEBA3684-WBB			<input type="checkbox"/>	<input type="checkbox"/>	<input type="checkbox"/>	<input type="checkbox"/>	<input type="checkbox"/>	<input type="checkbox"/>	<input type="checkbox"/>	<input type="checkbox"/>	<input type="checkbox"/>	<input type="checkbox"/>	266.0#	N/A	N/A	3090	N/A	N/A	257	N/A	361	804
36x84	SUEBA3684-SST				<input type="checkbox"/>	<input type="checkbox"/>	<input type="checkbox"/>	<input type="checkbox"/>	<input type="checkbox"/>	<input type="checkbox"/>	<input type="checkbox"/>	<input type="checkbox"/>	<input type="checkbox"/>	270.0#	N/A	N/A	N/A	3718	N/A	257	N/A	361	804
42x48	SUEBA4248-74P		<input type="checkbox"/>	<input type="checkbox"/>	<input type="checkbox"/>	<input type="checkbox"/>	<input type="checkbox"/>	<input type="checkbox"/>	<input type="checkbox"/>	<input type="checkbox"/>	<input type="checkbox"/>	<input type="checkbox"/>	<input type="checkbox"/>	170.0#	\$ 1394	N/A	N/A	N/A	\$ 35	\$ 221	\$ 225	\$ 314	\$ 555
42x48	SUEBA4248-RNT			<input type="checkbox"/>	<input type="checkbox"/>	<input type="checkbox"/>	<input type="checkbox"/>	<input type="checkbox"/>	<input type="checkbox"/>	<input type="checkbox"/>	<input type="checkbox"/>	<input type="checkbox"/>	<input type="checkbox"/>	209.0#	N/A	2451	N/A	N/A	N/A	221	N/A	314	555
42x48	SUEBA4248-WBB			<input type="checkbox"/>	<input type="checkbox"/>	<input type="checkbox"/>	<input type="checkbox"/>	<input type="checkbox"/>	<input type="checkbox"/>	<input type="checkbox"/>	<input type="checkbox"/>	<input type="checkbox"/>	<input type="checkbox"/>	207.0#	N/A	N/A	2422	N/A	N/A	221	N/A	314	555
42x48	SUEBA4248-SST				<input type="checkbox"/>	<input type="checkbox"/>	<input type="checkbox"/>	<input type="checkbox"/>	<input type="checkbox"/>	<input type="checkbox"/>	<input type="checkbox"/>	<input type="checkbox"/>	<input type="checkbox"/>	209.0#	N/A	N/A	N/A	2868	N/A	221	N/A	314	555
42x60	SUEBA4260-74P		<input type="checkbox"/>	<input type="checkbox"/>	<input type="checkbox"/>	<input type="checkbox"/>	<input type="checkbox"/>	<input type="checkbox"/>	<input type="checkbox"/>	<input type="checkbox"/>	<input type="checkbox"/>	<input type="checkbox"/>	<input type="checkbox"/>	192.0#	1428	N/A	N/A	N/A	50	235	350	330	597
42x60	SUEBA4260-RNT			<input type="checkbox"/>	<input type="checkbox"/>	<input type="checkbox"/>	<input type="checkbox"/>	<input type="checkbox"/>	<input type="checkbox"/>	<input type="checkbox"/>	<input type="checkbox"/>	<input type="checkbox"/>	<input type="checkbox"/>	241.0#	N/A	2838	N/A	N/A	N/A	235	N/A	330	597
42x60	SUEBA4260-WBB			<input type="checkbox"/>	<input type="checkbox"/>	<input type="checkbox"/>	<input type="checkbox"/>	<input type="checkbox"/>	<input type="checkbox"/>	<input type="checkbox"/>	<input type="checkbox"/>	<input type="checkbox"/>	<input type="checkbox"/>	238.0#	N/A	N/A	2694	N/A	N/A	235	N/A	330	597
42x60	SUEBA4260-SST				<input type="checkbox"/>	<input type="checkbox"/>	<input type="checkbox"/>	<input type="checkbox"/>	<input type="checkbox"/>	<input type="checkbox"/>	<input type="checkbox"/>	<input type="checkbox"/>	<input type="checkbox"/>	241.0#	N/A	N/A	N/A	3261	N/A	235	N/A	330	597
42x72	SUEBA4272-74P		<input type="checkbox"/>	<input type="checkbox"/>	<input type="checkbox"/>	<input type="checkbox"/>	<input type="checkbox"/>	<input type="checkbox"/>	<input type="checkbox"/>	<input type="checkbox"/>	<input type="checkbox"/>	<input type="checkbox"/>	<input type="checkbox"/>	215.0#	1479	N/A	N/A	N/A	50	250	350	354	705
42x72	SUEBA4272-RNT			<input type="checkbox"/>	<input type="checkbox"/>	<input type="checkbox"/>	<input type="checkbox"/>	<input type="checkbox"/>	<input type="checkbox"/>	<input type="checkbox"/>	<input type="checkbox"/>	<input type="checkbox"/>	<input type="checkbox"/>	273.0#	N/A	3137	N/A	N/A	N/A	250	N/A	354	705
42x72	SUEBA4272-WBB			<input type="checkbox"/>	<input type="checkbox"/>	<input type="checkbox"/>	<input type="checkbox"/>	<input type="checkbox"/>	<input type="checkbox"/>	<input type="checkbox"/>	<input type="checkbox"/>	<input type="checkbox"/>	<input type="checkbox"/>	269.0#	N/A	N/A	3103	N/A	N/A	250	N/A	354	705
42x72	SUEBA4272-SST				<input type="checkbox"/>	<input type="checkbox"/>	<input type="checkbox"/>	<input type="checkbox"/>	<input type="checkbox"/>	<input type="checkbox"/>	<input type="checkbox"/>	<input type="checkbox"/>	<input type="checkbox"/>	273.0#	N/A	N/A	N/A	3556	N/A	250	N/A	354	705
42x84	SUEBA4284-74P		<input type="checkbox"/>	<input type="checkbox"/>	<input type="checkbox"/>	<input type="checkbox"/>	<input type="checkbox"/>	<input type="checkbox"/>	<input type="checkbox"/>	<input type="checkbox"/>	<input type="checkbox"/>	<input type="checkbox"/>	<input type="checkbox"/>	237.0#	1690	N/A	N/A	N/A	70	263	450	366	810
42x84	SUEBA4284-RNT			<input type="checkbox"/>	<input type="checkbox"/>	<input type="checkbox"/>	<input type="checkbox"/>	<input type="checkbox"/>	<input type="checkbox"/>	<input type="checkbox"/>	<input type="checkbox"/>	<input type="checkbox"/>	<input type="checkbox"/>	305.0#	N/A	3537	N/A	N/A	N/A	263	N/A	366	810
42x84	SUEBA4284-WBB			<input type="checkbox"/>	<input type="checkbox"/>	<input type="checkbox"/>	<input type="checkbox"/>	<input type="checkbox"/>	<input type="checkbox"/>	<input type="checkbox"/>	<input type="checkbox"/>	<input type="checkbox"/>	<input type="checkbox"/>	300.0#	N/A	N/A	3480	N/A	N/A	263	N/A	366	810
42x84	SUEBA4284-SST				<input type="checkbox"/>	<input type="checkbox"/>	<input type="checkbox"/>	<input type="checkbox"/>	<input type="checkbox"/>	<input type="checkbox"/>	<input type="checkbox"/>	<input type="checkbox"/>	<input type="checkbox"/>	305.0#	N/A	N/A	N/A	4087	N/A	263	N/A	366	810



SUEBA 36" Deep

- Field assembly required
- Vertical and horizontal wire management is included when power modules are specified
- Undersurface power modules install along any side of the table

SUEBA 42" Deep

- Field assembly required
- Vertical and horizontal wire management is included when power modules are specified
- Undersurface power modules install along any side of the table

A B C D E F G H I J K L

HOW TO ORDER

- Indicate the following information on order form:
- Quantity of each item.
 - Model number, including options. See "How To Build a Model Number".
 - Any special service required.

Note: • The indicates that a choice is required.
 • The absence of the indicates that no choice is required.
 • Alpha-numeric characters in place of indicate that no other alternatives are available.

HOW TO BUILD A MODEL NUMBER

- A** Select basic model.
- B** Select edge color. Refer to the **Product Color Options** page in this price list.
- C** Select surface finish. Refer to the **Product Color Options** page in this price list.
- D** Select pegboard end panel.
 - NPB** - No pegboards
 - PB1** - Pegboard on one leg; add \$73
 - PB2** - Pegboards on both legs; add \$146
- E** Select frame color. Refer to the **Product Color Options** page in this price list.
- F** Select footrest/shelf selection.
 - NFT** - No footrest
 - SFT** - Single footrest
 - DFT** - Dual footrest

- DFS** - Dual footrest with shelf. See pricing column for footrest upcharge.
- G** Select casters/glides.
 - GNY** - Nylon glides
 - CCC** - Casters; add \$100
- H** Select module.
 - NNN** - No power modules
 - MU1** - Qty (1) Dean under-surface module; add \$365
 - MU2** - Qty (2) Dean under-surface modules; add \$730
- I** Select module color. Refer to the **Product Color Options** page in this price list.
- J** Select cord length.
 - 9** - 9' cord length
 - 15** - 15' cord length
- K** Select bag hook.
 - NB** - No book bag hook
 - BH** - Four book bag hooks; add \$64

L Select bag hook color. Refer to the **Product Color Options** page in this price list.

SPECIAL SERVICES

Special Carton Marking
 With specially marked information N/C

Shipping
 Ships knocked down, FOB Bonduel, WI 54107, freight prepaid. Freight class 125.

Specifications and prices are subject to change without prior notice.

Stout™ Rectangle (Freight Excluded)

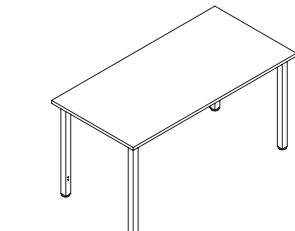
Fixed 36" Height



Stout™ Rectangle (Freight Excluded)

Fixed 36" Height

A x B	MODEL NUMBER	Basic Model	Edge Color	Surf. Finish	Peg-board	Frame Color	Foot-rest/Shelf	Shelf Color	Caster/Glide	Mod-ule	Mod. Color	Cord Length	Bag Hook	Bag Hook Color	Approx. Packaged Weight	1-1/4" Laminate Top with 74P Edge (74P)	1" Phenolic Resin Top (RNT)	1-3/4" Butcher Block Wood Top (WBB)	1-1/2" Stainless Steel Top (SST)	Laminate Grade 2 add to list price		Laminate Grade 3 add to list price		Dual Footrest w/Shelf	
																				Single Footrest	Dual Footrest	Single Footrest	Dual Footrest	Dual Footrest	Dual Footrest
48x48	SUEBA4848-74P	<input type="checkbox"/>	<input type="checkbox"/>	<input type="checkbox"/>	<input type="checkbox"/>	<input type="checkbox"/>	<input type="checkbox"/>	<input type="checkbox"/>	<input type="checkbox"/>	<input type="checkbox"/>	<input type="checkbox"/>	<input type="checkbox"/>	<input type="checkbox"/>	<input type="checkbox"/>	184.0#	\$ 1335	N/A	N/A	N/A	\$ 35	\$ 230	\$ 225	\$ 330	\$ 571	
48x48	SUEBA4848-RNT	<input type="checkbox"/>	<input type="checkbox"/>	<input type="checkbox"/>	<input type="checkbox"/>	<input type="checkbox"/>	<input type="checkbox"/>	<input type="checkbox"/>	<input type="checkbox"/>	<input type="checkbox"/>	<input type="checkbox"/>	<input type="checkbox"/>	<input type="checkbox"/>	<input type="checkbox"/>	229.0#	N/A	2646	N/A	N/A	N/A	230	N/A	330	571	
48x48	SUEBA4848-WBB	<input type="checkbox"/>	<input type="checkbox"/>	<input type="checkbox"/>	<input type="checkbox"/>	<input type="checkbox"/>	<input type="checkbox"/>	<input type="checkbox"/>	<input type="checkbox"/>	<input type="checkbox"/>	<input type="checkbox"/>	<input type="checkbox"/>	<input type="checkbox"/>	<input type="checkbox"/>	226.0#	N/A	N/A	2672	N/A	N/A	230	N/A	330	571	
48x48	SUEBA4848-SST	<input type="checkbox"/>	<input type="checkbox"/>	<input type="checkbox"/>	<input type="checkbox"/>	<input type="checkbox"/>	<input type="checkbox"/>	<input type="checkbox"/>	<input type="checkbox"/>	<input type="checkbox"/>	<input type="checkbox"/>	<input type="checkbox"/>	<input type="checkbox"/>	<input type="checkbox"/>	91.0#	N/A	N/A	N/A	3101	N/A	230	N/A	330	571	
48x60	SUEBA4860-74P	<input type="checkbox"/>	<input type="checkbox"/>	<input type="checkbox"/>	<input type="checkbox"/>	<input type="checkbox"/>	<input type="checkbox"/>	<input type="checkbox"/>	<input type="checkbox"/>	<input type="checkbox"/>	<input type="checkbox"/>	<input type="checkbox"/>	<input type="checkbox"/>	<input type="checkbox"/>	208.0#	1449	N/A	N/A	N/A	50	244	350	346	613	
48x60	SUEBA4860-RNT	<input type="checkbox"/>	<input type="checkbox"/>	<input type="checkbox"/>	<input type="checkbox"/>	<input type="checkbox"/>	<input type="checkbox"/>	<input type="checkbox"/>	<input type="checkbox"/>	<input type="checkbox"/>	<input type="checkbox"/>	<input type="checkbox"/>	<input type="checkbox"/>	<input type="checkbox"/>	264.0#	N/A	3033	N/A	N/A	N/A	244	N/A	346	613	
48x60	SUEBA4860-WBB	<input type="checkbox"/>	<input type="checkbox"/>	<input type="checkbox"/>	<input type="checkbox"/>	<input type="checkbox"/>	<input type="checkbox"/>	<input type="checkbox"/>	<input type="checkbox"/>	<input type="checkbox"/>	<input type="checkbox"/>	<input type="checkbox"/>	<input type="checkbox"/>	<input type="checkbox"/>	260.0#	N/A	N/A	3208	N/A	N/A	244	N/A	346	613	
48x60	SUEBA4860-SST	<input type="checkbox"/>	<input type="checkbox"/>	<input type="checkbox"/>	<input type="checkbox"/>	<input type="checkbox"/>	<input type="checkbox"/>	<input type="checkbox"/>	<input type="checkbox"/>	<input type="checkbox"/>	<input type="checkbox"/>	<input type="checkbox"/>	<input type="checkbox"/>	<input type="checkbox"/>	91.0#	N/A	N/A	N/A	3422	N/A	244	N/A	346	613	
48x72	SUEBA4872-74P	<input type="checkbox"/>	<input type="checkbox"/>	<input type="checkbox"/>	<input type="checkbox"/>	<input type="checkbox"/>	<input type="checkbox"/>	<input type="checkbox"/>	<input type="checkbox"/>	<input type="checkbox"/>	<input type="checkbox"/>	<input type="checkbox"/>	<input type="checkbox"/>	<input type="checkbox"/>	242.0#	1532	N/A	N/A	N/A	50	259	350	371	721	
48x72	SUEBA4872-RNT	<input type="checkbox"/>	<input type="checkbox"/>	<input type="checkbox"/>	<input type="checkbox"/>	<input type="checkbox"/>	<input type="checkbox"/>	<input type="checkbox"/>	<input type="checkbox"/>	<input type="checkbox"/>	<input type="checkbox"/>	<input type="checkbox"/>	<input type="checkbox"/>	<input type="checkbox"/>	309.0#	N/A	3424	N/A	N/A	N/A	259	N/A	371	721	
48x72	SUEBA4872-WBB	<input type="checkbox"/>	<input type="checkbox"/>	<input type="checkbox"/>	<input type="checkbox"/>	<input type="checkbox"/>	<input type="checkbox"/>	<input type="checkbox"/>	<input type="checkbox"/>	<input type="checkbox"/>	<input type="checkbox"/>	<input type="checkbox"/>	<input type="checkbox"/>	<input type="checkbox"/>	304.0#	N/A	N/A	3668	N/A	N/A	259	N/A	371	721	
48x72	SUEBA4872-SST	<input type="checkbox"/>	<input type="checkbox"/>	<input type="checkbox"/>	<input type="checkbox"/>	<input type="checkbox"/>	<input type="checkbox"/>	<input type="checkbox"/>	<input type="checkbox"/>	<input type="checkbox"/>	<input type="checkbox"/>	<input type="checkbox"/>	<input type="checkbox"/>	<input type="checkbox"/>	91.0#	N/A	N/A	N/A	3734	N/A	259	N/A	371	721	
48x84	SUEBA4884-74P	<input type="checkbox"/>	<input type="checkbox"/>	<input type="checkbox"/>	<input type="checkbox"/>	<input type="checkbox"/>	<input type="checkbox"/>	<input type="checkbox"/>	<input type="checkbox"/>	<input type="checkbox"/>	<input type="checkbox"/>	<input type="checkbox"/>	<input type="checkbox"/>	<input type="checkbox"/>	257.0#	1740	N/A	N/A	N/A	70	270	450	374	817	
48x84	SUEBA4884-RNT	<input type="checkbox"/>	<input type="checkbox"/>	<input type="checkbox"/>	<input type="checkbox"/>	<input type="checkbox"/>	<input type="checkbox"/>	<input type="checkbox"/>	<input type="checkbox"/>	<input type="checkbox"/>	<input type="checkbox"/>	<input type="checkbox"/>	<input type="checkbox"/>	<input type="checkbox"/>	335.0#	N/A	3822	N/A	N/A	N/A	270	N/A	374	817	
48x84	SUEBA4884-WBB	<input type="checkbox"/>	<input type="checkbox"/>	<input type="checkbox"/>	<input type="checkbox"/>	<input type="checkbox"/>	<input type="checkbox"/>	<input type="checkbox"/>	<input type="checkbox"/>	<input type="checkbox"/>	<input type="checkbox"/>	<input type="checkbox"/>	<input type="checkbox"/>	<input type="checkbox"/>	330.0#	N/A	N/A	4171	N/A	N/A	270	N/A	374	817	
48x84	SUEBA4884-SST	<input type="checkbox"/>	<input type="checkbox"/>	<input type="checkbox"/>	<input type="checkbox"/>	<input type="checkbox"/>	<input type="checkbox"/>	<input type="checkbox"/>	<input type="checkbox"/>	<input type="checkbox"/>	<input type="checkbox"/>	<input type="checkbox"/>	<input type="checkbox"/>	<input type="checkbox"/>	91.0#	N/A	N/A	N/A	4570	N/A	270	N/A	374	817	



- SUEBA**
48" Deep
- Field assembly required
 - Vertical and horizontal wire management is included when power modules are specified
 - Undersurface power modules install along any side of the table

A **B** **C** **D** **E** **F** **G** **H** **I** **J** **K** **L** **M**

HOW TO ORDER

- Indicate the following information on order form:
1. Quantity of each item.
 2. Model number, including options. See "How To Build a Model Number".
 3. Any special service required.

Note: • The indicates that a choice is required.
 • The absence of the indicates that no choice is required.
 • Alpha-numeric characters in place of indicate that no other alternatives are available.

HOW TO BUILD A MODEL NUMBER

- A** Select basic model.
- B** Select edge color. Refer to the **Product Color Options** page in this price list.
- C** Select surface finish. Refer to the **Product Color Options** page in this price list.
- D** Select pegboard end panel.
 - NPB** - No pegboards
 - PB1** - Pegboard on one leg; add \$73
 - PB2** - Pegboards on both legs; add \$146
- E** Select frame color. Refer to the **Product Color Options** page in this price list.
- F** Select footrest/shelf selection.
 - NFT** - No footrest
 - SFT** - Single footrest
 - DFT** - Dual footrest
- G** Select shelf color. Refer to the **Product Color Options** page in this price list.
- H** Select casters/glides.
 - GNY** - Nylon glides
 - CCC** - Casters; add \$100
- I** Select module.
 - NNN** - No power modules
 - MU1** - Qty (1) Dean under-surface module; add \$365
 - MU2** - Qty (2) Dean under-surface modules; add \$730
- J** Select module color. Refer to the **Product Color Options** page in this price list.
- K** Select cord length.
 - 9** - 9' cord length
 - 15** - 15' cord length
- L** Select bag hook.
 - NB** - No book bag hook
 - BH** - Four book bag hooks; add \$64
- M** Select bag hook color. Refer to the **Product Color Options** page in this price list.

SPECIAL SERVICES

Special Carton Marking
 With specially marked information N/C

Shipping
 Ships **knocked down**, FOB **Bonduel, WI 54107**, freight **prepaid**. Freight class 125.

Specifications and prices are subject to change without prior notice.

Stout™ Rectangle (Freight Excluded)

Fixed 40" Height



Stout™ Rectangle (Freight Excluded)

Fixed 40" Height

A x B	MODEL NUMBER												Approx. Packaged Weight	1-1/4" Laminate Top with 74P Edge (74P)	1" Phenolic Resin Top (RNT)	1-3/4" Butcher Block Wood Top (WBB)	1-1/2" Stainless Steel Top (SST)	Laminate Grade 2 add to list price	Laminate Grade 3 add to list price	Single Footrest	Dual Footrest	Dual Footrest w/Shelf
	Basic Model	Edge Color	Surf. Finish	Peg-board	Frame Color	Foot-rest/Shelf	Caster/Glide	Module	Mod. Color	Cord Length	Bag Hook	Bag Hook Color										
24x48	SUEKA2448-74P	<input type="checkbox"/>	<input type="checkbox"/>	<input type="checkbox"/>	<input type="checkbox"/>	<input type="checkbox"/>	GNY	<input type="checkbox"/>	<input type="checkbox"/>	<input type="checkbox"/>	<input type="checkbox"/>	<input type="checkbox"/>	111.0#	\$ 952	N/A	N/A	N/A	\$ 18	\$ 115	\$ 193	N/A	N/A
24x48	SUEKA2448-RNT		<input type="checkbox"/>	<input type="checkbox"/>	<input type="checkbox"/>	<input type="checkbox"/>	GNY	<input type="checkbox"/>	<input type="checkbox"/>	<input type="checkbox"/>	<input type="checkbox"/>	<input type="checkbox"/>	133.0#	N/A	1804	N/A	N/A	N/A	N/A	193	N/A	N/A
24x48	SUEKA2448-WBB		<input type="checkbox"/>	<input type="checkbox"/>	<input type="checkbox"/>	<input type="checkbox"/>	GNY	<input type="checkbox"/>	<input type="checkbox"/>	<input type="checkbox"/>	<input type="checkbox"/>	<input type="checkbox"/>	132.0#	N/A	N/A	1696	N/A	N/A	N/A	193	N/A	N/A
24x48	SUEKA2448-SST			<input type="checkbox"/>	<input type="checkbox"/>	<input type="checkbox"/>	GNY	<input type="checkbox"/>	<input type="checkbox"/>	<input type="checkbox"/>	<input type="checkbox"/>	<input type="checkbox"/>	133.0#	N/A	N/A	N/A	2413	N/A	N/A	193	N/A	N/A
24x60	SUEKA2460-74P	<input type="checkbox"/>	<input type="checkbox"/>	<input type="checkbox"/>	<input type="checkbox"/>	<input type="checkbox"/>	GNY	<input type="checkbox"/>	<input type="checkbox"/>	<input type="checkbox"/>	<input type="checkbox"/>	<input type="checkbox"/>	125.0#	1034	N/A	N/A	N/A	25	170	205	N/A	N/A
24x60	SUEKA2460-RNT		<input type="checkbox"/>	<input type="checkbox"/>	<input type="checkbox"/>	<input type="checkbox"/>	GNY	<input type="checkbox"/>	<input type="checkbox"/>	<input type="checkbox"/>	<input type="checkbox"/>	<input type="checkbox"/>	153.0#	N/A	2002	N/A	N/A	N/A	N/A	205	N/A	N/A
24x60	SUEKA2460-WBB		<input type="checkbox"/>	<input type="checkbox"/>	<input type="checkbox"/>	<input type="checkbox"/>	GNY	<input type="checkbox"/>	<input type="checkbox"/>	<input type="checkbox"/>	<input type="checkbox"/>	<input type="checkbox"/>	151.0#	N/A	N/A	1849	N/A	N/A	N/A	205	N/A	N/A
24x60	SUEKA2460-SST			<input type="checkbox"/>	<input type="checkbox"/>	<input type="checkbox"/>	GNY	<input type="checkbox"/>	<input type="checkbox"/>	<input type="checkbox"/>	<input type="checkbox"/>	<input type="checkbox"/>	153.0#	N/A	N/A	N/A	2633	N/A	N/A	205	N/A	N/A
24x72	SUEKA2472-74P	<input type="checkbox"/>	<input type="checkbox"/>	<input type="checkbox"/>	<input type="checkbox"/>	<input type="checkbox"/>	GNY	<input type="checkbox"/>	<input type="checkbox"/>	<input type="checkbox"/>	<input type="checkbox"/>	<input type="checkbox"/>	139.0#	1091	N/A	N/A	N/A	25	170	220	N/A	N/A
24x72	SUEKA2472-RNT		<input type="checkbox"/>	<input type="checkbox"/>	<input type="checkbox"/>	<input type="checkbox"/>	GNY	<input type="checkbox"/>	<input type="checkbox"/>	<input type="checkbox"/>	<input type="checkbox"/>	<input type="checkbox"/>	172.0#	N/A	2204	N/A	N/A	N/A	N/A	220	N/A	N/A
24x72	SUEKA2472-WBB		<input type="checkbox"/>	<input type="checkbox"/>	<input type="checkbox"/>	<input type="checkbox"/>	GNY	<input type="checkbox"/>	<input type="checkbox"/>	<input type="checkbox"/>	<input type="checkbox"/>	<input type="checkbox"/>	170.0#	N/A	N/A	2055	N/A	N/A	N/A	220	N/A	N/A
24x72	SUEKA2472-SST			<input type="checkbox"/>	<input type="checkbox"/>	<input type="checkbox"/>	GNY	<input type="checkbox"/>	<input type="checkbox"/>	<input type="checkbox"/>	<input type="checkbox"/>	<input type="checkbox"/>	172.0#	N/A	N/A	N/A	2882	N/A	N/A	220	N/A	N/A
<p>SUEKA 24" Deep</p> <ul style="list-style-type: none"> Field assembly required Vertical and horizontal wire management is included when power modules are specified Undersurface power modules install along any side of the table Casters cannot be used on 24" deep tables Dual footrests are not available on 24" deep tables 																						
30x48	SUEKA3048-74P	<input type="checkbox"/>	<input type="checkbox"/>	<input type="checkbox"/>	<input type="checkbox"/>	<input type="checkbox"/>	<input type="checkbox"/>	<input type="checkbox"/>	<input type="checkbox"/>	<input type="checkbox"/>	<input type="checkbox"/>	<input type="checkbox"/>	125.0#	\$ 1047	N/A	N/A	N/A	\$ 25	\$ 170	\$ 200	\$ 280	\$ 521
30x48	SUEKA3048-RNT		<input type="checkbox"/>	<input type="checkbox"/>	<input type="checkbox"/>	<input type="checkbox"/>	<input type="checkbox"/>	<input type="checkbox"/>	<input type="checkbox"/>	<input type="checkbox"/>	<input type="checkbox"/>	<input type="checkbox"/>	153.0#	N/A	2002	N/A	N/A	N/A	N/A	200	280	521
30x48	SUEKA3048-WBB		<input type="checkbox"/>	<input type="checkbox"/>	<input type="checkbox"/>	<input type="checkbox"/>	<input type="checkbox"/>	<input type="checkbox"/>	<input type="checkbox"/>	<input type="checkbox"/>	<input type="checkbox"/>	<input type="checkbox"/>	151.0#	N/A	N/A	1892	N/A	N/A	N/A	200	280	521
30x48	SUEKA3048-SST			<input type="checkbox"/>	<input type="checkbox"/>	<input type="checkbox"/>	<input type="checkbox"/>	<input type="checkbox"/>	<input type="checkbox"/>	<input type="checkbox"/>	<input type="checkbox"/>	<input type="checkbox"/>	153.0#	N/A	N/A	N/A	2715	N/A	N/A	200	280	521
30x60	SUEKA3060-74P	<input type="checkbox"/>	<input type="checkbox"/>	<input type="checkbox"/>	<input type="checkbox"/>	<input type="checkbox"/>	<input type="checkbox"/>	<input type="checkbox"/>	<input type="checkbox"/>	<input type="checkbox"/>	<input type="checkbox"/>	<input type="checkbox"/>	142.0#	1117	N/A	N/A	N/A	25	170	220	305	572
30x60	SUEKA3060-RNT		<input type="checkbox"/>	<input type="checkbox"/>	<input type="checkbox"/>	<input type="checkbox"/>	<input type="checkbox"/>	<input type="checkbox"/>	<input type="checkbox"/>	<input type="checkbox"/>	<input type="checkbox"/>	<input type="checkbox"/>	176.0#	N/A	2290	N/A	N/A	N/A	N/A	220	305	572
30x60	SUEKA3060-WBB		<input type="checkbox"/>	<input type="checkbox"/>	<input type="checkbox"/>	<input type="checkbox"/>	<input type="checkbox"/>	<input type="checkbox"/>	<input type="checkbox"/>	<input type="checkbox"/>	<input type="checkbox"/>	<input type="checkbox"/>	174.0#	N/A	N/A	2092	N/A	N/A	N/A	220	305	572
30x60	SUEKA3060-SST			<input type="checkbox"/>	<input type="checkbox"/>	<input type="checkbox"/>	<input type="checkbox"/>	<input type="checkbox"/>	<input type="checkbox"/>	<input type="checkbox"/>	<input type="checkbox"/>	<input type="checkbox"/>	176.0#	N/A	N/A	N/A	2971	N/A	N/A	220	305	572
30x72	SUEKA3072-74P	<input type="checkbox"/>	<input type="checkbox"/>	<input type="checkbox"/>	<input type="checkbox"/>	<input type="checkbox"/>	<input type="checkbox"/>	<input type="checkbox"/>	<input type="checkbox"/>	<input type="checkbox"/>	<input type="checkbox"/>	<input type="checkbox"/>	158.0#	1172	N/A	N/A	N/A	25	170	230	329	680
30x72	SUEKA3072-RNT		<input type="checkbox"/>	<input type="checkbox"/>	<input type="checkbox"/>	<input type="checkbox"/>	<input type="checkbox"/>	<input type="checkbox"/>	<input type="checkbox"/>	<input type="checkbox"/>	<input type="checkbox"/>	<input type="checkbox"/>	200.0#	N/A	2492	N/A	N/A	N/A	N/A	230	329	680
30x72	SUEKA3072-WBB		<input type="checkbox"/>	<input type="checkbox"/>	<input type="checkbox"/>	<input type="checkbox"/>	<input type="checkbox"/>	<input type="checkbox"/>	<input type="checkbox"/>	<input type="checkbox"/>	<input type="checkbox"/>	<input type="checkbox"/>	197.0#	N/A	N/A	2348	N/A	N/A	N/A	230	329	680
30x72	SUEKA3072-SST			<input type="checkbox"/>	<input type="checkbox"/>	<input type="checkbox"/>	<input type="checkbox"/>	<input type="checkbox"/>	<input type="checkbox"/>	<input type="checkbox"/>	<input type="checkbox"/>	<input type="checkbox"/>	200.0#	N/A	N/A	N/A	3261	N/A	N/A	230	329	680
30x84	SUEKA3084-74P	<input type="checkbox"/>	<input type="checkbox"/>	<input type="checkbox"/>	<input type="checkbox"/>	<input type="checkbox"/>	<input type="checkbox"/>	<input type="checkbox"/>	<input type="checkbox"/>	<input type="checkbox"/>	<input type="checkbox"/>	<input type="checkbox"/>	174.0#	1406	N/A	N/A	N/A	50	350	246	352	795
30x84	SUEKA3084-RNT		<input type="checkbox"/>	<input type="checkbox"/>	<input type="checkbox"/>	<input type="checkbox"/>	<input type="checkbox"/>	<input type="checkbox"/>	<input type="checkbox"/>	<input type="checkbox"/>	<input type="checkbox"/>	<input type="checkbox"/>	223.0#	N/A	2789	N/A	N/A	N/A	N/A	246	352	795
30x84	SUEKA3084-WBB		<input type="checkbox"/>	<input type="checkbox"/>	<input type="checkbox"/>	<input type="checkbox"/>	<input type="checkbox"/>	<input type="checkbox"/>	<input type="checkbox"/>	<input type="checkbox"/>	<input type="checkbox"/>	<input type="checkbox"/>	219.0#	N/A	N/A	2620	N/A	N/A	N/A	246	352	795
30x84	SUEKA3084-SST			<input type="checkbox"/>	<input type="checkbox"/>	<input type="checkbox"/>	<input type="checkbox"/>	<input type="checkbox"/>	<input type="checkbox"/>	<input type="checkbox"/>	<input type="checkbox"/>	<input type="checkbox"/>	223.0#	N/A	N/A	N/A	3583	N/A	N/A	246	352	795



HOW TO ORDER

Indicate the following information on order form:

- Quantity of each item.
- Model number, including options. See "How To Build a Model Number".
- Any special service required.

Note:

- The indicates that a choice is required.
- The absence of the indicates that no choice is required.
- Alpha-numeric characters in place of indicate that no other alternatives are available.

HOW TO BUILD A MODEL NUMBER

A Select basic model.

B Select edge color. Refer to the **Product Color Options** page in this price list.

C Select surface finish. Refer to the **Product Color Options** page in this price list.

D Select pegboard end panel.
NPB - No pegboards
PB1 - Pegboard on one leg; add \$73
PB2 - Pegboards on both legs; add \$146

E Select frame color. Refer to the **Product Color Options** page in this price list.

F Select footrest/shelf selection.
NFT - No footrest
SFT - Single footrest
DFT - Dual footrest

DFS - Dual footrest with shelf. See pricing column for footrest upcharge.

G Select casters/glides.
GNY - Nylon glides
CCC - Casters; add \$100

H Select module.
NNN - No power modules
MU1 - Qty (1) Dean under-surface module; add \$365
MU2 - Qty (2) Dean under-surface modules; add \$730

I Select module color. Refer to the **Product Color Options** page in this price list.

J Select cord length.
9 - 9' cord length
15 - 15' cord length

K Select bag hook.
NB - No book bag hook
BH - Two book bag hooks; add \$32

L Select bag hook color. Refer to the **Product Color Options** page in this price list.

SPECIAL SERVICES

Special Carton Marking
 With specially marked information N/C

Shipping
 Ships **knocked down, FOB Bondue1, WI 54107, freight prepaid.** Freight class 125.

Specifications and prices are subject to change without prior notice.

Stout™ Rectangle (Freight Excluded)

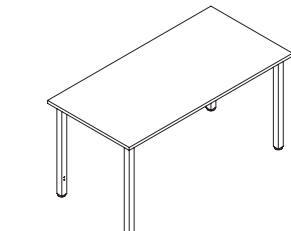
Fixed 40" Height



Stout™ Rectangle (Freight Excluded)

Fixed 40" Height

A x B	MODEL NUMBER	Basic Model	Edge Color	Surf. Finish	Peg-board	Frame Color	Foot-rest/Shelf	Caster/Glide	Module	Mod. Color	Cord Length	Bag Hook	Bag Hook Color	Approx. Packaged Weight	Top Options				Laminate Grade 2 add to list price	Laminate Grade 3 add to list price	Single Footrest	Dual Footrest	Dual Footrest w/Shelf
															1-1/4" Laminate Top with 74P Edge (74P)	1" Phenolic Resin Top (RNT)	1-3/4" Butcher Block Wood Top (WBB)	1-1/2" Stainless Steel Top (SST)					
36x48	SUEKA3648-74P													155.0#	\$ 1225	N/A	N/A	N/A	\$ 35	\$ 225	\$ 210	\$ 297	\$ 538
36x48	SUEKA3648-RNT													188.0#	N/A	2268	N/A	N/A	N/A	N/A	210	297	538
36x48	SUEKA3648-WBB													186.0#	N/A	N/A	2181	N/A	N/A	N/A	210	297	538
36x48	SUEKA3648-SST													188.0#	N/A	N/A	N/A	2833	N/A	N/A	210	297	538
36x60	SUEKA3660-74P													175.0#	1333	N/A	N/A	N/A	50	350	227	314	581
36x60	SUEKA3660-RNT													217.0#	N/A	2565	N/A	N/A	N/A	N/A	227	314	581
36x60	SUEKA3660-WBB													214.0#	N/A	N/A	2468	N/A	N/A	N/A	227	314	581
36x60	SUEKA3660-SST													217.0#	N/A	N/A	N/A	3112	N/A	N/A	227	314	581
36x72	SUEKA3672-74P													195.0#	1395	N/A	N/A	N/A	50	350	241	338	689
36x72	SUEKA3672-RNT													245.0#	N/A	2865	N/A	N/A	N/A	N/A	241	338	689
36x72	SUEKA3672-WBB													242.0#	N/A	N/A	2801	N/A	N/A	N/A	241	338	689
36x72	SUEKA3672-SST													245.0#	N/A	N/A	N/A	3393	N/A	N/A	241	338	689
36x84	SUEKA3684-74P													215.0#	1633	N/A	N/A	N/A	70	450	257	361	804
36x84	SUEKA3684-RNT													273.0#	N/A	3175	N/A	N/A	N/A	N/A	257	361	804
36x84	SUEKA3684-WBB													269.0#	N/A	N/A	3101	N/A	N/A	N/A	257	361	804
36x84	SUEKA3684-SST													273.0#	N/A	N/A	N/A	3730	N/A	N/A	257	361	804
42x48	SUEKA4248-74P													173.0#	\$ 1407	N/A	N/A	N/A	\$ 35	\$ 225	\$ 221	\$ 314	\$ 555
42x48	SUEKA4248-RNT													212.0#	N/A	2462	N/A	N/A	N/A	N/A	221	314	555
42x48	SUEKA4248-WBB													210.0#	N/A	N/A	2434	N/A	N/A	N/A	221	314	555
42x48	SUEKA4248-SST													212.0#	N/A	N/A	N/A	2880	N/A	N/A	221	314	555
42x60	SUEKA4260-74P													196.0#	1441	N/A	N/A	N/A	50	350	235	330	597
42x60	SUEKA4260-RNT													245.0#	N/A	2849	N/A	N/A	N/A	N/A	235	330	597
42x60	SUEKA4260-WBB													241.0#	N/A	N/A	2705	N/A	N/A	N/A	235	330	597
42x60	SUEKA4260-SST													245.0#	N/A	N/A	N/A	3273	N/A	N/A	235	330	597
42x72	SUEKA4272-74P													218.0#	1492	N/A	N/A	N/A	50	350	250	354	705
42x72	SUEKA4272-RNT													276.0#	N/A	3149	N/A	N/A	N/A	N/A	250	354	705
42x72	SUEKA4272-WBB													272.0#	N/A	N/A	3115	N/A	N/A	N/A	250	354	705
42x72	SUEKA4272-SST													276.0#	N/A	N/A	N/A	3568	N/A	N/A	250	354	705
42x84	SUEKA4284-74P													240.0#	1703	N/A	N/A	N/A	70	450	263	366	810
42x84	SUEKA4284-RNT													308.0#	N/A	3549	N/A	N/A	N/A	N/A	263	366	810
42x84	SUEKA4284-WBB													304.0#	N/A	N/A	3492	N/A	N/A	N/A	263	366	810
42x84	SUEKA4284-SST													308.0#	N/A	N/A	N/A	4099	N/A	N/A	263	366	810



- SUEKA 36" Deep**
- Field assembly required
 - Vertical and horizontal wire management is included when power modules are specified
 - Undersurface power modules install along any side of the table

- SUEKA 42" Deep**
- Field assembly required
 - Vertical and horizontal wire management is included when power modules are specified
 - Undersurface power modules install along any side of the table

HOW TO ORDER

Indicate the following information on order form:

- Quantity of each item.
- Model number, including options. See "How To Build a Model Number".
- Any special service required.

Note:

- The indicates that a choice is required.
- The absence of the indicates that no choice is required.
- Alpha-numeric characters in place of indicate that no other alternatives are available.

HOW TO BUILD A MODEL NUMBER

A Select basic model.

B Select edge color. Refer to the **Product Color Options** page in this price list.

C Select surface finish. Refer to the **Product Color Options** page in this price list.

D Select pegboard end panel.
NPB - No pegboards
PB1 - Pegboard on one leg; add \$73
PB2 - Pegboards on both legs; add \$146

E Select frame color. Refer to the **Product Color Options** page in this price list.

F Select footrest/shelf selection.
NFT - No footrest
SFT - Single footrest
DFT - Dual footrest

DFS - Dual footrest with shelf. See pricing column for footrest upcharge.

G Select casters/glides.
GNV - Nylon glides
CCC - Casters; add \$100

H Select module.
NNN - No power modules
MU1 - Qty (1) Dean under-surface module; add \$365
MU2 - Qty (2) Dean under-surface modules; add \$730

I Select module color. Refer to the **Product Color Options** page in this price list.

J Select cord length.
9 - 9' cord length
15 - 15' cord length

K Select bag hook.
NB - No book bag hook
BH - Four book bag hooks; add \$64

L Select bag hook color. Refer to the **Product Color Options** page in this price list.

SPECIAL SERVICES

Special Carton Marking
 With specially marked information N/C

Shipping
 Ships knocked down, FOB Bonduel, WI 54107, freight prepaid. Freight class 125.

Specifications and prices are subject to change without prior notice.

Stout™ Rectangle (Freight Excluded)

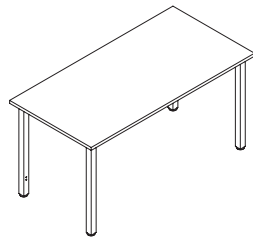
Fixed 40" Height



Stout™ Rectangle (Freight Excluded)

Fixed 40" Height

A x B	MODEL NUMBER													Approx. Packaged Weight	1-1/4" Laminate Top with 74P Edge (74P)	1" Phenolic Resin Top (RNT)	1-3/4" Butcher Block Wood Top (WBB)	1-1/2" Stainless Steel Top (SST)	Laminate Grade 2 add to list price	Laminate Grade 3 add to list price	Single Footrest	Dual Footrest	Dual Footrest w/Shelf
	Basic Model	Edge Color	Surf. Finish	Peg-board	Frame Color	Foot-rest/Shelf	Shelf Color	Caster/Glide	Mod-ule	Mod. Color	Cord Length	Bag Hook	Bag Hook Color										
48x48	SUEKA4848-74P	<input type="checkbox"/>	<input type="checkbox"/>	<input type="checkbox"/>	<input type="checkbox"/>	<input type="checkbox"/>	<input type="checkbox"/>	<input type="checkbox"/>	<input type="checkbox"/>	<input type="checkbox"/>	<input type="checkbox"/>	<input type="checkbox"/>	<input type="checkbox"/>	187.0#	\$ 1347	N/A	N/A	N/A	\$ 35	\$ 225	\$ 230	\$ 330	\$ 571
48x48	SUEKA4848-RNT		<input type="checkbox"/>	<input type="checkbox"/>	<input type="checkbox"/>	<input type="checkbox"/>	<input type="checkbox"/>	<input type="checkbox"/>	<input type="checkbox"/>	<input type="checkbox"/>	<input type="checkbox"/>	<input type="checkbox"/>	<input type="checkbox"/>	232.0#	N/A	2657	N/A	N/A	N/A	N/A	230	330	571
48x48	SUEKA4848-WBB		<input type="checkbox"/>	<input type="checkbox"/>	<input type="checkbox"/>	<input type="checkbox"/>	<input type="checkbox"/>	<input type="checkbox"/>	<input type="checkbox"/>	<input type="checkbox"/>	<input type="checkbox"/>	<input type="checkbox"/>	<input type="checkbox"/>	229.0#	N/A	N/A	2683	N/A	N/A	N/A	230	330	571
48x48	SUEKA4848-SST			<input type="checkbox"/>	<input type="checkbox"/>	<input type="checkbox"/>	<input type="checkbox"/>	<input type="checkbox"/>	<input type="checkbox"/>	<input type="checkbox"/>	<input type="checkbox"/>	<input type="checkbox"/>	<input type="checkbox"/>	232.0#	N/A	N/A	N/A	3113	N/A	N/A	230	330	571
48x60	SUEKA4860-74P	<input type="checkbox"/>	<input type="checkbox"/>	<input type="checkbox"/>	<input type="checkbox"/>	<input type="checkbox"/>	<input type="checkbox"/>	<input type="checkbox"/>	<input type="checkbox"/>	<input type="checkbox"/>	<input type="checkbox"/>	<input type="checkbox"/>	<input type="checkbox"/>	212.0#	1462	N/A	N/A	N/A	50	350	244	346	613
48x60	SUEKA4860-RNT		<input type="checkbox"/>	<input type="checkbox"/>	<input type="checkbox"/>	<input type="checkbox"/>	<input type="checkbox"/>	<input type="checkbox"/>	<input type="checkbox"/>	<input type="checkbox"/>	<input type="checkbox"/>	<input type="checkbox"/>	<input type="checkbox"/>	267.0#	N/A	3044	N/A	N/A	N/A	N/A	244	346	613
48x60	SUEKA4860-WBB		<input type="checkbox"/>	<input type="checkbox"/>	<input type="checkbox"/>	<input type="checkbox"/>	<input type="checkbox"/>	<input type="checkbox"/>	<input type="checkbox"/>	<input type="checkbox"/>	<input type="checkbox"/>	<input type="checkbox"/>	<input type="checkbox"/>	264.0#	N/A	N/A	3219	N/A	N/A	N/A	244	346	613
48x60	SUEKA4860-SST			<input type="checkbox"/>	<input type="checkbox"/>	<input type="checkbox"/>	<input type="checkbox"/>	<input type="checkbox"/>	<input type="checkbox"/>	<input type="checkbox"/>	<input type="checkbox"/>	<input type="checkbox"/>	<input type="checkbox"/>	267.0#	N/A	N/A	N/A	3433	N/A	N/A	244	346	613
48x72	SUEKA4872-74P	<input type="checkbox"/>	<input type="checkbox"/>	<input type="checkbox"/>	<input type="checkbox"/>	<input type="checkbox"/>	<input type="checkbox"/>	<input type="checkbox"/>	<input type="checkbox"/>	<input type="checkbox"/>	<input type="checkbox"/>	<input type="checkbox"/>	<input type="checkbox"/>	236.0#	1545	N/A	N/A	N/A	50	350	259	371	721
48x72	SUEKA4872-RNT		<input type="checkbox"/>	<input type="checkbox"/>	<input type="checkbox"/>	<input type="checkbox"/>	<input type="checkbox"/>	<input type="checkbox"/>	<input type="checkbox"/>	<input type="checkbox"/>	<input type="checkbox"/>	<input type="checkbox"/>	<input type="checkbox"/>	303.0#	N/A	3436	N/A	N/A	N/A	N/A	259	371	721
48x72	SUEKA4872-WBB		<input type="checkbox"/>	<input type="checkbox"/>	<input type="checkbox"/>	<input type="checkbox"/>	<input type="checkbox"/>	<input type="checkbox"/>	<input type="checkbox"/>	<input type="checkbox"/>	<input type="checkbox"/>	<input type="checkbox"/>	<input type="checkbox"/>	298.0#	N/A	N/A	3680	N/A	N/A	N/A	259	371	721
48x72	SUEKA4872-SST			<input type="checkbox"/>	<input type="checkbox"/>	<input type="checkbox"/>	<input type="checkbox"/>	<input type="checkbox"/>	<input type="checkbox"/>	<input type="checkbox"/>	<input type="checkbox"/>	<input type="checkbox"/>	<input type="checkbox"/>	303.0#	N/A	N/A	N/A	3745	N/A	N/A	259	371	721
48x84	SUEKA4884-74P	<input type="checkbox"/>	<input type="checkbox"/>	<input type="checkbox"/>	<input type="checkbox"/>	<input type="checkbox"/>	<input type="checkbox"/>	<input type="checkbox"/>	<input type="checkbox"/>	<input type="checkbox"/>	<input type="checkbox"/>	<input type="checkbox"/>	<input type="checkbox"/>	260.0#	1753	N/A	N/A	N/A	70	450	270	374	817
48x84	SUEKA4884-RNT		<input type="checkbox"/>	<input type="checkbox"/>	<input type="checkbox"/>	<input type="checkbox"/>	<input type="checkbox"/>	<input type="checkbox"/>	<input type="checkbox"/>	<input type="checkbox"/>	<input type="checkbox"/>	<input type="checkbox"/>	<input type="checkbox"/>	338.0#	N/A	3834	N/A	N/A	N/A	N/A	270	374	817
48x84	SUEKA4884-WBB		<input type="checkbox"/>	<input type="checkbox"/>	<input type="checkbox"/>	<input type="checkbox"/>	<input type="checkbox"/>	<input type="checkbox"/>	<input type="checkbox"/>	<input type="checkbox"/>	<input type="checkbox"/>	<input type="checkbox"/>	<input type="checkbox"/>	333.0#	N/A	N/A	4183	N/A	N/A	N/A	270	374	817
48x84	SUEKA4884-SST			<input type="checkbox"/>	<input type="checkbox"/>	<input type="checkbox"/>	<input type="checkbox"/>	<input type="checkbox"/>	<input type="checkbox"/>	<input type="checkbox"/>	<input type="checkbox"/>	<input type="checkbox"/>	<input type="checkbox"/>	338.0#	N/A	N/A	N/A	4582	N/A	N/A	270	374	817



- SUEKA
48" Deep
- Field assembly required
 - Vertical and horizontal wire management is included when power modules are specified
 - Undersurface power modules install along any side of the table

A **B** **C** **D** **E** **F** **G** **H** **I** **J** **K** **L** **M**

HOW TO ORDER

- Indicate the following information on order form:
- Quantity of each item.
 - Model number, including options. See "How To Build a Model Number".
 - Any special service required.

Note:

- The indicates that a choice is required.
- The absence of the indicates that no choice is required.
- Alpha-numeric characters in place of indicate that no other alternatives are available.

HOW TO BUILD A MODEL NUMBER

- A** Select basic model.
- B** Select edge color. Refer to the **Product Color Options** page in this price list.
- C** Select surface finish. Refer to the **Product Color Options** page in this price list.
- D** Select pegboard end panel.
 - NPB** - No pegboards
 - PB1** - Pegboard on one leg; add \$73
 - PB2** - Pegboards on both legs; add \$146
- E** Select frame color. Refer to the **Product Color Options** page in this price list.
- F** Select footrest/shelf selection.
 - NFT** - No footrest
 - SFT** - Single footrest
 - DFT** - Dual footrest
- G** Select shelf color. Refer to the **Product Color Options** page in this price list.
- H** Select casters/glides.
 - GNY** - Nylon glides
 - CCC** - Casters; add \$100
- I** Select module.
 - NNN** - No power modules
 - MU1** - Qty (1) Dean under-surface module; add \$365
 - MU2** - Qty (2) Dean under-surface modules; add \$730
- J** Select module color. Refer to the **Product Color Options** page in this price list.
- K** Select cord length.
 - 9** - 9' cord length
 - 15** - 15' cord length
- L** Select bag hook.
 - NB** - No book bag hook
 - BH** - Four book bag hooks; add \$64
- M** Select bag hook color. Refer to the **Product Color Options** page in this price list.

SPECIAL SERVICES

Special Carton Marking

With specially marked information N/C

Shipping

Ships **knocked down**, FOB Bonduel, WI 54107, freight prepaid. Freight class 125.

Specifications and prices are subject to change without prior notice.

Stout™ Rectangle (Freight Excluded)

Adjustable 27-40" Height



Stout™ Rectangle (Freight Excluded)

Adjustable 27-40" Height

A x B	MODEL NUMBER												Approx. Packaged Weight	1-1/4" Laminate Top with 74P Edge (74P)	1" Phenolic Resin Top (RNT)	1-3/4" Butcher Block Wood Top (WBB)	1-1/2" Stainless Steel Top (SST)	Laminate Grade 2 add to list price	Laminate Grade 3 add to list price	Single Footrest	Dual Footrest	Dual Footrest w/Shelf
	Basic Model	Edge Color	Surf. Finish	Peg-board	Frame Color	Foot-rest/Shelf	Caster/Glide	Module	Mod. Color	Cord Length	Bag Hook	Bag Hook Color										
24x48	SUEFA2448-74P	□□□	□□	□□	□□	□□□	GNV	□□	□□	□□	□□	□□	114.0#	\$ 1152	N/A	N/A	N/A	\$ 18	\$ 115	\$ 193	N/A	N/A
24x48	SUEFA2448-RNT		□□	□□	□□	□□□	GNV	□□	□□	□□	□□	□□	136.0#	N/A	2003	N/A	N/A	N/A	N/A	193	N/A	N/A
24x48	SUEFA2448-WBB		□□	□□	□□	□□□	GNV	□□	□□	□□	□□	□□	134.0#	N/A	N/A	1892	N/A	N/A	N/A	193	N/A	N/A
24x48	SUEFA2448-SST				□□	□□□	GNV	□□	□□	□□	□□	□□	136.0#	N/A	N/A	N/A	2619	N/A	N/A	193	N/A	N/A
24x60	SUEFA2460-74P	□□□	□□	□□	□□	□□□	GNV	□□	□□	□□	□□	□□	128.0#	1233	N/A	N/A	N/A	25	170	205	N/A	N/A
24x60	SUEFA2460-RNT		□□	□□	□□	□□□	GNV	□□	□□	□□	□□	□□	155.0#	N/A	2201	N/A	N/A	N/A	N/A	205	N/A	N/A
24x60	SUEFA2460-WBB		□□	□□	□□	□□□	GNV	□□	□□	□□	□□	□□	154.0#	N/A	N/A	2045	N/A	N/A	N/A	205	N/A	N/A
24x60	SUEFA2460-SST				□□	□□□	GNV	□□	□□	□□	□□	□□	155.0#	N/A	N/A	N/A	2838	N/A	N/A	205	N/A	N/A
24x72	SUEFA2472-74P	□□□	□□	□□	□□	□□□	GNV	□□	□□	□□	□□	□□	142.0#	1289	N/A	N/A	N/A	25	170	220	N/A	N/A
24x72	SUEFA2472-RNT		□□	□□	□□	□□□	GNV	□□	□□	□□	□□	□□	175.0#	N/A	2403	N/A	N/A	N/A	N/A	220	N/A	N/A
24x72	SUEFA2472-WBB		□□	□□	□□	□□□	GNV	□□	□□	□□	□□	□□	173.0#	N/A	N/A	2251	N/A	N/A	N/A	220	N/A	N/A
24x72	SUEFA2472-SST				□□	□□□	GNV	□□	□□	□□	□□	□□	175.0#	N/A	N/A	N/A	3087	N/A	N/A	220	N/A	N/A
<p>SUEFA 24" Deep</p> <ul style="list-style-type: none"> Field assembly required Vertical and horizontal wire management is included when power modules are specified Undersurface power modules install along any side of the table Casters cannot be used on 24" deep tables Dual footrests are not available on 24" deep tables 																						
30x48	SUEFA3048-74P	□□□	□□	□□	□□	□□□	□□□	□□	□□	□□	□□	□□	126.0#	\$ 1233	N/A	N/A	N/A	\$ 25	\$ 170	\$ 200	\$ 280	\$ 521
30x48	SUEFA3048-RNT		□□	□□	□□	□□□	□□□	□□	□□	□□	□□	□□	154.0#	N/A	2196	N/A	N/A	N/A	N/A	200	280	521
30x48	SUEFA3048-WBB		□□	□□	□□	□□□	□□□	□□	□□	□□	□□	□□	152.0#	N/A	N/A	2083	N/A	N/A	N/A	200	280	521
30x48	SUEFA3048-SST				□□	□□□	□□□	□□	□□	□□	□□	□□	154.0#	N/A	N/A	N/A	2916	N/A	N/A	200	280	521
30x60	SUEFA3060-74P	□□□	□□	□□	□□	□□□	□□□	□□	□□	□□	□□	□□	142.0#	1302	N/A	N/A	N/A	25	170	220	305	572
30x60	SUEFA3060-RNT		□□	□□	□□	□□□	□□□	□□	□□	□□	□□	□□	177.0#	N/A	2484	N/A	N/A	N/A	N/A	220	305	572
30x60	SUEFA3060-WBB		□□	□□	□□	□□□	□□□	□□	□□	□□	□□	□□	175.0#	N/A	N/A	2283	N/A	N/A	N/A	220	305	572
30x60	SUEFA3060-SST				□□	□□□	□□□	□□	□□	□□	□□	□□	177.0#	N/A	N/A	N/A	3172	N/A	N/A	220	305	572
30x72	SUEFA3072-74P	□□□	□□	□□	□□	□□□	□□□	□□	□□	□□	□□	□□	159.0#	1356	N/A	N/A	N/A	25	170	230	329	680
30x72	SUEFA3072-RNT		□□	□□	□□	□□□	□□□	□□	□□	□□	□□	□□	200.0#	N/A	2686	N/A	N/A	N/A	N/A	230	329	680
30x72	SUEFA3072-WBB		□□	□□	□□	□□□	□□□	□□	□□	□□	□□	□□	197.0#	N/A	N/A	2540	N/A	N/A	N/A	230	329	680
30x72	SUEFA3072-SST				□□	□□□	□□□	□□	□□	□□	□□	□□	200.0#	N/A	N/A	N/A	3461	N/A	N/A	230	329	680
30x84	SUEFA3084-74P	□□□	□□	□□	□□	□□□	□□□	□□	□□	□□	□□	□□	175.0#	1584	N/A	N/A	N/A	50	350	246	352	795
30x84	SUEFA3084-RNT		□□	□□	□□	□□□	□□□	□□	□□	□□	□□	□□	223.0#	N/A	2987	N/A	N/A	N/A	N/A	246	352	795
30x84	SUEFA3084-WBB		□□	□□	□□	□□□	□□□	□□	□□	□□	□□	□□	220.0#	N/A	N/A	2815	N/A	N/A	N/A	246	352	795
30x84	SUEFA3084-SST				□□	□□□	□□□	□□	□□	□□	□□	□□	223.0#	N/A	N/A	N/A	3787	N/A	N/A	246	352	795



HOW TO ORDER

Indicate the following information on order form:

- Quantity of each item.
- Model number, including options. See "How to Build a Model Number".
- Any special service required.

Note:

- The □ indicates that a choice is required.
- The absence of the □ indicates that no choice is required.
- Alpha-numeric characters in place of □ indicate that no other alternatives are available.

HOW TO BUILD A MODEL NUMBER

A Select basic model.

B Select edge color. Refer to the **Product Color Options** page in this price list.

C Select surface finish. Refer to the **Product Color Options** page in this price list.

D Select pegboard end panel.
NPB - No pegboards
PB1 - Pegboard on one leg; add \$73
PB2 - Pegboards on both legs; add \$146

E Select frame color. Refer to the **Product Color Options** page in this price list.

F Select footrest/shelf selection.
NFT - No footrest
SFT - Single footrest
DFT - Dual footrest

DFS - Dual footrest with shelf. See pricing column for footrest upcharge.

G Select casters/glides.
GNV - Nylon glides
CCC - Casters; add \$100

H Select module.
NNN - No power modules
MU1 - Qty (1) Dean under-surface module; add \$365
MU2 - Qty (2) Dean under-surface modules; add \$730

I Select module color. Refer to the **Product Color Options** page in this price list.

J Select cord length.
9 - 9' cord length
15 - 15' cord length

K Select bag hook.
NB - No book bag hook
BH - Two book bag hooks; add \$32

L Select bag hook color. Refer to the **Product Color Options** page in this price list.

SPECIAL SERVICES

Special Carton Marking
 With specially marked information N/C

Shipping
 Ships knocked down, FOB Bonduel, WI 54107, freight prepaid. Freight class 125.

Specifications and prices are subject to change without prior notice.

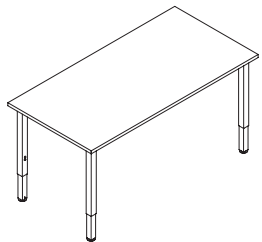
Stout™ Rectangle (Freight Excluded)

Adjustable 27-40" Height



Stout™ Rectangle (Freight Excluded)

Adjustable 27-40" Height

A x B	MODEL NUMBER												Approx. Packaged Weight	1-1/4" Laminate Top with 74P Edge (74P)	1" Phenolic Resin Top (RNT)	1-3/4" Butcher Block Wood Top (WBB)	1-1/2" Stainless Steel Top (SST)	Laminate Grade 2 add to list price	Laminate Grade 3 add to list price	Single Footrest	Dual Footrest	Dual Footrest w/Shelf	
	Basic Model	Edge Color	Surf. Finish	Peg-board	Frame Color	Foot-rest/Shelf	Caster/Glide	Module	Mod. Color	Cord Length	Bag Hook	Bag Hook Color											
 <p>SUEFA 36" Deep</p> <ul style="list-style-type: none"> Field assembly required Vertical and horizontal wire management is included when power modules are specified Undersurface power modules install along any side of the table 	36x48	SUEFA3648-74P	<input type="checkbox"/>	<input type="checkbox"/>	<input type="checkbox"/>	<input type="checkbox"/>	<input type="checkbox"/>	<input type="checkbox"/>	<input type="checkbox"/>	<input type="checkbox"/>	<input type="checkbox"/>	<input type="checkbox"/>	154.0#	\$ 1419	N/A	N/A	N/A	\$ 35	\$ 225	\$ 210	\$ 297	\$ 538	
	36x48	SUEFA3648-RNT	<input type="checkbox"/>	<input type="checkbox"/>	<input type="checkbox"/>	<input type="checkbox"/>	<input type="checkbox"/>	<input type="checkbox"/>	<input type="checkbox"/>	<input type="checkbox"/>	<input type="checkbox"/>	<input type="checkbox"/>	<input type="checkbox"/>	187.0#	N/A	2464	N/A	N/A	N/A	N/A	210	297	538
	36x48	SUEFA3648-WBB	<input type="checkbox"/>	<input type="checkbox"/>	<input type="checkbox"/>	<input type="checkbox"/>	<input type="checkbox"/>	<input type="checkbox"/>	<input type="checkbox"/>	<input type="checkbox"/>	<input type="checkbox"/>	<input type="checkbox"/>	<input type="checkbox"/>	185.0#	N/A	N/A	2376	N/A	N/A	210	297	538	
	36x48	SUEFA3648-SST	<input type="checkbox"/>	<input type="checkbox"/>	<input type="checkbox"/>	<input type="checkbox"/>	<input type="checkbox"/>	<input type="checkbox"/>	<input type="checkbox"/>	<input type="checkbox"/>	<input type="checkbox"/>	<input type="checkbox"/>	<input type="checkbox"/>	187.0#	N/A	N/A	N/A	3035	N/A	N/A	210	297	538
	36x60	SUEFA3660-74P	<input type="checkbox"/>	<input type="checkbox"/>	<input type="checkbox"/>	<input type="checkbox"/>	<input type="checkbox"/>	<input type="checkbox"/>	<input type="checkbox"/>	<input type="checkbox"/>	<input type="checkbox"/>	<input type="checkbox"/>	<input type="checkbox"/>	174.0#	1525	N/A	N/A	N/A	50	350	227	314	581
	36x60	SUEFA3660-RNT	<input type="checkbox"/>	<input type="checkbox"/>	<input type="checkbox"/>	<input type="checkbox"/>	<input type="checkbox"/>	<input type="checkbox"/>	<input type="checkbox"/>	<input type="checkbox"/>	<input type="checkbox"/>	<input type="checkbox"/>	<input type="checkbox"/>	216.0#	N/A	2761	N/A	N/A	N/A	N/A	227	314	581
	36x60	SUEFA3660-WBB	<input type="checkbox"/>	<input type="checkbox"/>	<input type="checkbox"/>	<input type="checkbox"/>	<input type="checkbox"/>	<input type="checkbox"/>	<input type="checkbox"/>	<input type="checkbox"/>	<input type="checkbox"/>	<input type="checkbox"/>	<input type="checkbox"/>	213.0#	N/A	N/A	2664	N/A	N/A	227	314	581	
	36x60	SUEFA3660-SST	<input type="checkbox"/>	<input type="checkbox"/>	<input type="checkbox"/>	<input type="checkbox"/>	<input type="checkbox"/>	<input type="checkbox"/>	<input type="checkbox"/>	<input type="checkbox"/>	<input type="checkbox"/>	<input type="checkbox"/>	<input type="checkbox"/>	216.0#	N/A	N/A	N/A	3314	N/A	N/A	227	314	581
	36x72	SUEFA3672-74P	<input type="checkbox"/>	<input type="checkbox"/>	<input type="checkbox"/>	<input type="checkbox"/>	<input type="checkbox"/>	<input type="checkbox"/>	<input type="checkbox"/>	<input type="checkbox"/>	<input type="checkbox"/>	<input type="checkbox"/>	<input type="checkbox"/>	194.0#	1586	N/A	N/A	N/A	50	350	241	338	689
	36x72	SUEFA3672-RNT	<input type="checkbox"/>	<input type="checkbox"/>	<input type="checkbox"/>	<input type="checkbox"/>	<input type="checkbox"/>	<input type="checkbox"/>	<input type="checkbox"/>	<input type="checkbox"/>	<input type="checkbox"/>	<input type="checkbox"/>	<input type="checkbox"/>	244.0#	N/A	3061	N/A	N/A	N/A	N/A	241	338	689
	36x72	SUEFA3672-WBB	<input type="checkbox"/>	<input type="checkbox"/>	<input type="checkbox"/>	<input type="checkbox"/>	<input type="checkbox"/>	<input type="checkbox"/>	<input type="checkbox"/>	<input type="checkbox"/>	<input type="checkbox"/>	<input type="checkbox"/>	<input type="checkbox"/>	241.0#	N/A	N/A	2997	N/A	N/A	241	338	689	
	36x72	SUEFA3672-SST	<input type="checkbox"/>	<input type="checkbox"/>	<input type="checkbox"/>	<input type="checkbox"/>	<input type="checkbox"/>	<input type="checkbox"/>	<input type="checkbox"/>	<input type="checkbox"/>	<input type="checkbox"/>	<input type="checkbox"/>	<input type="checkbox"/>	244.0#	N/A	N/A	N/A	3595	N/A	N/A	241	338	689
	36x84	SUEFA3684-74P	<input type="checkbox"/>	<input type="checkbox"/>	<input type="checkbox"/>	<input type="checkbox"/>	<input type="checkbox"/>	<input type="checkbox"/>	<input type="checkbox"/>	<input type="checkbox"/>	<input type="checkbox"/>	<input type="checkbox"/>	<input type="checkbox"/>	214.0#	1820	N/A	N/A	N/A	70	450	257	361	804
	36x84	SUEFA3684-RNT	<input type="checkbox"/>	<input type="checkbox"/>	<input type="checkbox"/>	<input type="checkbox"/>	<input type="checkbox"/>	<input type="checkbox"/>	<input type="checkbox"/>	<input type="checkbox"/>	<input type="checkbox"/>	<input type="checkbox"/>	<input type="checkbox"/>	273.0#	N/A	3372	N/A	N/A	N/A	N/A	257	361	804
	36x84	SUEFA3684-WBB	<input type="checkbox"/>	<input type="checkbox"/>	<input type="checkbox"/>	<input type="checkbox"/>	<input type="checkbox"/>	<input type="checkbox"/>	<input type="checkbox"/>	<input type="checkbox"/>	<input type="checkbox"/>	<input type="checkbox"/>	<input type="checkbox"/>	269.0#	N/A	N/A	3299	N/A	N/A	257	361	804	
	36x84	SUEFA3684-SST	<input type="checkbox"/>	<input type="checkbox"/>	<input type="checkbox"/>	<input type="checkbox"/>	<input type="checkbox"/>	<input type="checkbox"/>	<input type="checkbox"/>	<input type="checkbox"/>	<input type="checkbox"/>	<input type="checkbox"/>	<input type="checkbox"/>	273.0#	N/A	N/A	N/A	3934	N/A	N/A	257	361	804
<p>SUEFA 42" Deep</p> <ul style="list-style-type: none"> Field assembly required Vertical and horizontal wire management is included when power modules are specified Undersurface power modules install along any side of the table 	42x48	SUEFA4248-74P	<input type="checkbox"/>	<input type="checkbox"/>	<input type="checkbox"/>	<input type="checkbox"/>	<input type="checkbox"/>	<input type="checkbox"/>	<input type="checkbox"/>	<input type="checkbox"/>	<input type="checkbox"/>	<input type="checkbox"/>	171.0#	\$ 1624	N/A	N/A	N/A	\$ 35	\$ 225	\$ 221	\$ 314	\$ 555	
	42x48	SUEFA4248-RNT	<input type="checkbox"/>	<input type="checkbox"/>	<input type="checkbox"/>	<input type="checkbox"/>	<input type="checkbox"/>	<input type="checkbox"/>	<input type="checkbox"/>	<input type="checkbox"/>	<input type="checkbox"/>	<input type="checkbox"/>	<input type="checkbox"/>	210.0#	N/A	2658	N/A	N/A	N/A	N/A	221	314	555
	42x48	SUEFA4248-WBB	<input type="checkbox"/>	<input type="checkbox"/>	<input type="checkbox"/>	<input type="checkbox"/>	<input type="checkbox"/>	<input type="checkbox"/>	<input type="checkbox"/>	<input type="checkbox"/>	<input type="checkbox"/>	<input type="checkbox"/>	<input type="checkbox"/>	207.0#	N/A	N/A	2633	N/A	N/A	221	314	555	
	42x48	SUEFA4248-SST	<input type="checkbox"/>	<input type="checkbox"/>	<input type="checkbox"/>	<input type="checkbox"/>	<input type="checkbox"/>	<input type="checkbox"/>	<input type="checkbox"/>	<input type="checkbox"/>	<input type="checkbox"/>	<input type="checkbox"/>	<input type="checkbox"/>	210.0#	N/A	N/A	N/A	3082	N/A	N/A	221	314	555
	42x60	SUEFA4260-74P	<input type="checkbox"/>	<input type="checkbox"/>	<input type="checkbox"/>	<input type="checkbox"/>	<input type="checkbox"/>	<input type="checkbox"/>	<input type="checkbox"/>	<input type="checkbox"/>	<input type="checkbox"/>	<input type="checkbox"/>	<input type="checkbox"/>	193.0#	1658	N/A	N/A	N/A	50	350	235	330	597
	42x60	SUEFA4260-RNT	<input type="checkbox"/>	<input type="checkbox"/>	<input type="checkbox"/>	<input type="checkbox"/>	<input type="checkbox"/>	<input type="checkbox"/>	<input type="checkbox"/>	<input type="checkbox"/>	<input type="checkbox"/>	<input type="checkbox"/>	<input type="checkbox"/>	242.0#	N/A	3045	N/A	N/A	N/A	N/A	235	330	597
	42x60	SUEFA4260-WBB	<input type="checkbox"/>	<input type="checkbox"/>	<input type="checkbox"/>	<input type="checkbox"/>	<input type="checkbox"/>	<input type="checkbox"/>	<input type="checkbox"/>	<input type="checkbox"/>	<input type="checkbox"/>	<input type="checkbox"/>	<input type="checkbox"/>	239.0#	N/A	N/A	2904	N/A	N/A	235	330	597	
	42x60	SUEFA4260-SST	<input type="checkbox"/>	<input type="checkbox"/>	<input type="checkbox"/>	<input type="checkbox"/>	<input type="checkbox"/>	<input type="checkbox"/>	<input type="checkbox"/>	<input type="checkbox"/>	<input type="checkbox"/>	<input type="checkbox"/>	<input type="checkbox"/>	242.0#	N/A	N/A	N/A	3475	N/A	N/A	235	330	597
	42x72	SUEFA4272-74P	<input type="checkbox"/>	<input type="checkbox"/>	<input type="checkbox"/>	<input type="checkbox"/>	<input type="checkbox"/>	<input type="checkbox"/>	<input type="checkbox"/>	<input type="checkbox"/>	<input type="checkbox"/>	<input type="checkbox"/>	<input type="checkbox"/>	215.0#	1709	N/A	N/A	N/A	50	350	250	354	705
	42x72	SUEFA4272-RNT	<input type="checkbox"/>	<input type="checkbox"/>	<input type="checkbox"/>	<input type="checkbox"/>	<input type="checkbox"/>	<input type="checkbox"/>	<input type="checkbox"/>	<input type="checkbox"/>	<input type="checkbox"/>	<input type="checkbox"/>	<input type="checkbox"/>	274.0#	N/A	3345	N/A	N/A	N/A	N/A	250	354	705
	42x72	SUEFA4272-WBB	<input type="checkbox"/>	<input type="checkbox"/>	<input type="checkbox"/>	<input type="checkbox"/>	<input type="checkbox"/>	<input type="checkbox"/>	<input type="checkbox"/>	<input type="checkbox"/>	<input type="checkbox"/>	<input type="checkbox"/>	<input type="checkbox"/>	270.0#	N/A	N/A	3314	N/A	N/A	250	354	705	
	42x72	SUEFA4272-SST	<input type="checkbox"/>	<input type="checkbox"/>	<input type="checkbox"/>	<input type="checkbox"/>	<input type="checkbox"/>	<input type="checkbox"/>	<input type="checkbox"/>	<input type="checkbox"/>	<input type="checkbox"/>	<input type="checkbox"/>	<input type="checkbox"/>	274.0#	N/A	N/A	N/A	3770	N/A	N/A	250	354	705
	42x84	SUEFA4284-74P	<input type="checkbox"/>	<input type="checkbox"/>	<input type="checkbox"/>	<input type="checkbox"/>	<input type="checkbox"/>	<input type="checkbox"/>	<input type="checkbox"/>	<input type="checkbox"/>	<input type="checkbox"/>	<input type="checkbox"/>	<input type="checkbox"/>	237.0#	1920	N/A	N/A	N/A	70	450	263	366	810
	42x84	SUEFA4284-RNT	<input type="checkbox"/>	<input type="checkbox"/>	<input type="checkbox"/>	<input type="checkbox"/>	<input type="checkbox"/>	<input type="checkbox"/>	<input type="checkbox"/>	<input type="checkbox"/>	<input type="checkbox"/>	<input type="checkbox"/>	<input type="checkbox"/>	306.0#	N/A	3746	N/A	N/A	N/A	N/A	263	366	810
	42x84	SUEFA4284-WBB	<input type="checkbox"/>	<input type="checkbox"/>	<input type="checkbox"/>	<input type="checkbox"/>	<input type="checkbox"/>	<input type="checkbox"/>	<input type="checkbox"/>	<input type="checkbox"/>	<input type="checkbox"/>	<input type="checkbox"/>	<input type="checkbox"/>	301.0#	N/A	N/A	3692	N/A	N/A	263	366	810	
	42x84	SUEFA4284-SST	<input type="checkbox"/>	<input type="checkbox"/>	<input type="checkbox"/>	<input type="checkbox"/>	<input type="checkbox"/>	<input type="checkbox"/>	<input type="checkbox"/>	<input type="checkbox"/>	<input type="checkbox"/>	<input type="checkbox"/>	<input type="checkbox"/>	306.0#	N/A	N/A	N/A	4302	N/A	N/A	263	366	810

HOW TO ORDER

Indicate the following information on order form:

- Quantity of each item.
- Model number, including options. See "How To Build a Model Number".
- Any special service required.

Note:

- The indicates that a choice is required.
- The absence of the indicates that no choice is required.
- Alpha-numeric characters in place of indicate that no other alternatives are available.

HOW TO BUILD A MODEL NUMBER

A Select basic model.

B Select edge color. Refer to the **Product Color Options** page in this price list.

C Select surface finish. Refer to the **Product Color Options** page in this price list.

D Select pegboard end panel.
NPB - No pegboards
PB1 - Pegboards on one leg; add \$73
PB2 - Pegboards on both legs; add \$146

E Select frame color. Refer to the **Product Color Options** page in this price list.

F Select footrest/shelf selection.
NFT - No footrest
SFT - Single footrest
DFT - Dual footrest

DFS - Dual footrest with shelf. See pricing column for footrest upcharge.

G Select casters/glides.
GNV - Nylon glides
CCC - Casters; add \$100

H Select module.
NNN - No power modules
MU1 - Qty (1) Dean under-surface module; add \$365
MU2 - Qty (2) Dean under-surface modules; add \$730

I Select module color. Refer to the **Product Color Options** page in this price list.

J Select cord length.
9 - 9' cord length
15 - 15' cord length

K Select bag hook.
NB - No book bag hook
BH - Four book bag hooks; add \$64

L Select bag hook color. Refer to the **Product Color Options** page in this price list.

SPECIAL SERVICES

Special Carton Marking
 With specially marked information N/C

Shipping
 Ships **knocked down, FOB Bonduel, WI 54107, freight prepaid.** Freight class 125.
 Specifications and prices are subject to change without prior notice.

Stout™ Rectangle (Freight Excluded)

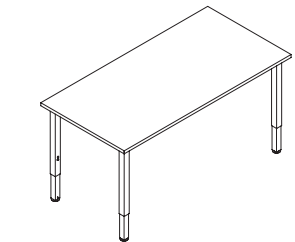
Adjustable 27-40" Height



Stout™ Rectangle (Freight Excluded)

Adjustable 27-40" Height

A x B	MODEL NUMBER													Approx. Packaged Weight	1-1/4" Laminate Top with 74P Edge (74P)	1" Phenolic Resin Top (RNT)	1-3/4" Butcher Block Wood Top (WBB)	1-1/2" Stainless Steel Top (SST)	Laminate Grade 2 add to list price	Laminate Grade 3 add to list price	Single Footrest	Dual Footrest	Dual Footrest w/Shelf
	Basic Model	Edge Color	Surf. Finish	Peg-board	Frame Color	Foot-rest/Shelf	Shelf Color	Caster/Glide	Mod-ule	Mod. Color	Cord Length	Bag Hook	Bag Hook Color										
48x48	SUEFA4848-74P	<input type="checkbox"/>	<input type="checkbox"/>	<input type="checkbox"/>	<input type="checkbox"/>	<input type="checkbox"/>	<input type="checkbox"/>	<input type="checkbox"/>	<input type="checkbox"/>	<input type="checkbox"/>	<input type="checkbox"/>	<input type="checkbox"/>	<input type="checkbox"/>	194.0#	\$ 1564	N/A	N/A	N/A	\$ 35	\$ 225	\$ 230	\$ 330	\$ 571
48x48	SUEFA4848-RNT		<input type="checkbox"/>	<input type="checkbox"/>	<input type="checkbox"/>	<input type="checkbox"/>	<input type="checkbox"/>	<input type="checkbox"/>	<input type="checkbox"/>	<input type="checkbox"/>	<input type="checkbox"/>	<input type="checkbox"/>	<input type="checkbox"/>	239.0#	N/A	2853	N/A	N/A	N/A	N/A	230	330	571
48x48	SUEFA4848-WBB		<input type="checkbox"/>	<input type="checkbox"/>	<input type="checkbox"/>	<input type="checkbox"/>	<input type="checkbox"/>	<input type="checkbox"/>	<input type="checkbox"/>	<input type="checkbox"/>	<input type="checkbox"/>	<input type="checkbox"/>	<input type="checkbox"/>	236.0#	N/A	N/A	2882	N/A	N/A	N/A	230	330	571
48x48	SUEFA4848-SST			<input type="checkbox"/>	<input type="checkbox"/>	<input type="checkbox"/>	<input type="checkbox"/>	<input type="checkbox"/>	<input type="checkbox"/>	<input type="checkbox"/>	<input type="checkbox"/>	<input type="checkbox"/>	<input type="checkbox"/>	239.0#	N/A	N/A	N/A	3315	N/A	N/A	230	330	571
48x60	SUEFA4860-74P	<input type="checkbox"/>	<input type="checkbox"/>	<input type="checkbox"/>	<input type="checkbox"/>	<input type="checkbox"/>	<input type="checkbox"/>	<input type="checkbox"/>	<input type="checkbox"/>	<input type="checkbox"/>	<input type="checkbox"/>	<input type="checkbox"/>	<input type="checkbox"/>	219.0#	1679	N/A	N/A	N/A	50	350	244	346	613
48x60	SUEFA4860-RNT		<input type="checkbox"/>	<input type="checkbox"/>	<input type="checkbox"/>	<input type="checkbox"/>	<input type="checkbox"/>	<input type="checkbox"/>	<input type="checkbox"/>	<input type="checkbox"/>	<input type="checkbox"/>	<input type="checkbox"/>	<input type="checkbox"/>	275.0#	N/A	3240	N/A	N/A	N/A	N/A	244	346	613
48x60	SUEFA4860-WBB		<input type="checkbox"/>	<input type="checkbox"/>	<input type="checkbox"/>	<input type="checkbox"/>	<input type="checkbox"/>	<input type="checkbox"/>	<input type="checkbox"/>	<input type="checkbox"/>	<input type="checkbox"/>	<input type="checkbox"/>	<input type="checkbox"/>	271.0#	N/A	N/A	3418	N/A	N/A	N/A	244	346	613
48x60	SUEFA4860-SST			<input type="checkbox"/>	<input type="checkbox"/>	<input type="checkbox"/>	<input type="checkbox"/>	<input type="checkbox"/>	<input type="checkbox"/>	<input type="checkbox"/>	<input type="checkbox"/>	<input type="checkbox"/>	<input type="checkbox"/>	275.0#	N/A	N/A	N/A	3635	N/A	N/A	244	346	613
48x72	SUEFA4872-74P	<input type="checkbox"/>	<input type="checkbox"/>	<input type="checkbox"/>	<input type="checkbox"/>	<input type="checkbox"/>	<input type="checkbox"/>	<input type="checkbox"/>	<input type="checkbox"/>	<input type="checkbox"/>	<input type="checkbox"/>	<input type="checkbox"/>	<input type="checkbox"/>	243.0#	1762	N/A	N/A	N/A	50	350	259	371	721
48x72	SUEFA4872-RNT		<input type="checkbox"/>	<input type="checkbox"/>	<input type="checkbox"/>	<input type="checkbox"/>	<input type="checkbox"/>	<input type="checkbox"/>	<input type="checkbox"/>	<input type="checkbox"/>	<input type="checkbox"/>	<input type="checkbox"/>	<input type="checkbox"/>	310.0#	N/A	3633	N/A	N/A	N/A	N/A	259	371	721
48x72	SUEFA4872-WBB		<input type="checkbox"/>	<input type="checkbox"/>	<input type="checkbox"/>	<input type="checkbox"/>	<input type="checkbox"/>	<input type="checkbox"/>	<input type="checkbox"/>	<input type="checkbox"/>	<input type="checkbox"/>	<input type="checkbox"/>	<input type="checkbox"/>	305.0#	N/A	N/A	3880	N/A	N/A	N/A	259	371	721
48x72	SUEFA4872-SST			<input type="checkbox"/>	<input type="checkbox"/>	<input type="checkbox"/>	<input type="checkbox"/>	<input type="checkbox"/>	<input type="checkbox"/>	<input type="checkbox"/>	<input type="checkbox"/>	<input type="checkbox"/>	<input type="checkbox"/>	310.0#	N/A	N/A	N/A	3949	N/A	N/A	259	371	721
48x84	SUEFA4884-74P	<input type="checkbox"/>	<input type="checkbox"/>	<input type="checkbox"/>	<input type="checkbox"/>	<input type="checkbox"/>	<input type="checkbox"/>	<input type="checkbox"/>	<input type="checkbox"/>	<input type="checkbox"/>	<input type="checkbox"/>	<input type="checkbox"/>	<input type="checkbox"/>	267.0#	1970	N/A	N/A	N/A	70	450	270	374	817
48x84	SUEFA4884-RNT		<input type="checkbox"/>	<input type="checkbox"/>	<input type="checkbox"/>	<input type="checkbox"/>	<input type="checkbox"/>	<input type="checkbox"/>	<input type="checkbox"/>	<input type="checkbox"/>	<input type="checkbox"/>	<input type="checkbox"/>	<input type="checkbox"/>	345.0#	N/A	4031	N/A	N/A	N/A	N/A	270	374	817
48x84	SUEFA4884-WBB		<input type="checkbox"/>	<input type="checkbox"/>	<input type="checkbox"/>	<input type="checkbox"/>	<input type="checkbox"/>	<input type="checkbox"/>	<input type="checkbox"/>	<input type="checkbox"/>	<input type="checkbox"/>	<input type="checkbox"/>	<input type="checkbox"/>	340.0#	N/A	N/A	4384	N/A	N/A	N/A	270	374	817
48x84	SUEFA4884-SST			<input type="checkbox"/>	<input type="checkbox"/>	<input type="checkbox"/>	<input type="checkbox"/>	<input type="checkbox"/>	<input type="checkbox"/>	<input type="checkbox"/>	<input type="checkbox"/>	<input type="checkbox"/>	<input type="checkbox"/>	345.0#	N/A	N/A	N/A	4786	N/A	N/A	270	374	817



- SUEFA
48" Deep
- Field assembly required
 - Vertical and horizontal wire management is included when power modules are specified
 - Undersurface power modules install along any side of the table

HOW TO ORDER

- Indicate the following information on order form:
- Quantity of each item.
 - Model number, including options. See "How To Build a Model Number".
 - Any special service required.

Note:

- The indicates that a choice is required.
- The absence of the indicates that no choice is required.
- Alpha-numeric characters in place of indicate that no other alternatives are available.

HOW TO BUILD A MODEL NUMBER

- A** Select basic model.
- B** Select edge color. Refer to the **Product Color Options** page in this price list.
- C** Select surface finish. Refer to the **Product Color Options** page in this price list.
- D** Select pegboard end panel.
 - NPB** - No pegboards
 - PB1** - Pegboard on one leg; add \$73
 - PB2** - Pegboards on both legs; add \$146
- E** Select frame color. Refer to the **Product Color Options** page in this price list.
- F** Select footrest/shelf selection.
 - NFT** - No footrest
 - SFT** - Single footrest
 - DFT** - Dual footrest

- DFS** - Dual footrest with shelf. See pricing column for footrest upcharge.
- G** Select shelf color. Refer to the **Product Color Options** page in this price list.
- H** Select casters/glides.
 - GNY** - Nylon glides
 - CCC** - Casters; add \$100
- I** Select module.
 - NNN** - No power modules
 - MU1** - Qty (1) Dean under-surface module; add \$365
 - MU2** - Qty (2) Dean under-surface modules; add \$730
- J** Select module color. Refer to the **Product Color Options** page in this price list.
- K** Select cord length.
 - 9** - 9' cord length
 - 15** - 15' cord length

- L** Select bag hook.
 - NB** - No book bag hook
 - BH** - Four book bag hooks; add \$64
- M** Select bag hook color. Refer to the **Product Color Options** page in this price list.

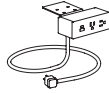
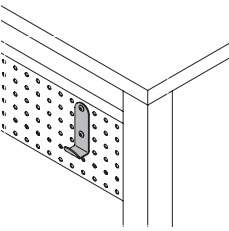
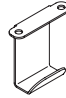


SPECIAL SERVICES

Special Carton Marking
With specially marked information N/C

Shipping
Ships **knocked down, FOB Bonduel, WI 54107, freight prepaid.** Freight class 125.

Specifications and prices are subject to change without prior notice.



MODEL	MODEL NUMBER					Approx. Packaged Weight	Freight Excluded Pricing
	Basic Model	Bag Hook Color	Frame Color	Mod. Color	Cord Length		
 SUAC Dean Undersurface Module Kit • Mounting brackets and hardware included for installation onto Stout Tables • Modules can be installed along any side of the table • Horizontal wire management included • Vertical wire managers shall be ordered separately	SUACMODMU1			<input type="checkbox"/>	<input type="checkbox"/>	4.0#	\$ 435
 SUAC Pegboard Hook Kit • Hardware included for attachment to Stout Table pegboard end panels • Color of mounting screws will match color of hooks	SUACPEGHOOK		<input type="checkbox"/>			0.5#	\$ 18
 SUAC Worksurface Bag Hook Kit • Hardware included for attachment to underside of a Stout Table worksurface • Color of mounting screws will be black • These hooks can install at either end of a Stout Table	SUACWKSFOOK	<input type="checkbox"/>	<input type="checkbox"/>			0.5#	\$ 18
 SUAC Vertical Wire Manager • 16" for use on 29" Fixed Height and on Adjustable Height Stout Tables • Adhesive-backed for screwless attachment	SUACVWM16		<input type="checkbox"/>			0.5#	\$ 35
 SUAC Vertical Wire Manager • 23" for use on 36" and 40" Fixed Height Stout Tables • Adhesive-backed for screwless attachment	SUACVWM24		<input type="checkbox"/>			0.5#	\$ 35

A **B** **C** **D** **E**

HOW TO ORDER

- Indicate the following information on order form:
- Quantity of each item.
 - Model number, including options. See "How To Build a Model Number".
 - Any special service required.

Note:

- The indicates that a choice is required.
- The absence of the indicates that no choice is required.
- Alpha-numeric characters in place of indicate that no other alternatives are available.

HOW TO BUILD A MODEL NUMBER

- A** Select basic model.
- B** Select worksurface bag hook color. Refer to the **Product Color Options** page in this price list.
- C** Select frame color. Refer to the **Product Color Options** page in this price list.
- D** Select module color. Refer to the **Product Color Options** page in this price list.
- E** Select cord length.

9	- 9' cord length
15	- 15' cord length

SPECIAL SERVICES

Special Carton Marking

With specially marked information N/C

Shipping

Ships **knocked down, FOB Bonduel, WI 54107, freight prepaid.** Freight class 125.

Specifications and prices are subject to change without prior notice.

Stout™ Rectangle (Delivered)

Fixed 29" Height



Stout™ Rectangle (Delivered)

Fixed 29" Height

A x B	MODEL NUMBER												Approx. Packaged Weight	1-1/4" Laminate Top with 74P Edge (74P)	1" Phenolic Resin Top (RNT)	1-3/4" Butcher Block Wood Top (WBB)	1-1/2" Stainless Steel Top (SST)	Laminate Grade 2 add to list price	Laminate Grade 3 add to list price	Dual Footrest w/Shelf
	Basic Model	Edge Color	Surf. Finish	Peg-board	Frame Color	Foot-rest/Shelf	Caster/Glide	Module	Mod. Color	Cord Length	Bag Hook	Bag Hook Color								
24x48	SUEAA2448-74P	<input type="checkbox"/>	<input type="checkbox"/>	<input type="checkbox"/>	<input type="checkbox"/>	NFT	GNY	<input type="checkbox"/>	<input type="checkbox"/>	<input type="checkbox"/>	<input type="checkbox"/>	<input type="checkbox"/>	91.0#	\$ 1033	N/A	N/A	N/A	\$ 18	\$ 115	N/A
24x48	SUEAA2448-RNT		<input type="checkbox"/>	<input type="checkbox"/>	<input type="checkbox"/>	NFT	GNY	<input type="checkbox"/>	<input type="checkbox"/>	<input type="checkbox"/>	<input type="checkbox"/>	<input type="checkbox"/>	113.0#	N/A	1954	N/A	N/A	N/A	N/A	N/A
24x48	SUEAA2448-WBB		<input type="checkbox"/>	<input type="checkbox"/>	<input type="checkbox"/>	NFT	GNY	<input type="checkbox"/>	<input type="checkbox"/>	<input type="checkbox"/>	<input type="checkbox"/>	<input type="checkbox"/>	111.0#	N/A	N/A	1836	N/A	N/A	N/A	N/A
24x48	SUEAA2448-SST			<input type="checkbox"/>	<input type="checkbox"/>	NFT	GNY	<input type="checkbox"/>	<input type="checkbox"/>	<input type="checkbox"/>	<input type="checkbox"/>	<input type="checkbox"/>	113.0#	N/A	N/A	N/A	2576	N/A	N/A	N/A
24x60	SUEAA2460-74P	<input type="checkbox"/>	<input type="checkbox"/>	<input type="checkbox"/>	<input type="checkbox"/>	NFT	GNY	<input type="checkbox"/>	<input type="checkbox"/>	<input type="checkbox"/>	<input type="checkbox"/>	<input type="checkbox"/>	103.0#	1125	N/A	N/A	N/A	25	170	N/A
24x60	SUEAA2460-RNT		<input type="checkbox"/>	<input type="checkbox"/>	<input type="checkbox"/>	NFT	GNY	<input type="checkbox"/>	<input type="checkbox"/>	<input type="checkbox"/>	<input type="checkbox"/>	<input type="checkbox"/>	131.0#	N/A	2172	N/A	N/A	N/A	N/A	N/A
24x60	SUEAA2460-WBB		<input type="checkbox"/>	<input type="checkbox"/>	<input type="checkbox"/>	NFT	GNY	<input type="checkbox"/>	<input type="checkbox"/>	<input type="checkbox"/>	<input type="checkbox"/>	<input type="checkbox"/>	129.0#	N/A	N/A	2004	N/A	N/A	N/A	N/A
24x60	SUEAA2460-SST			<input type="checkbox"/>	<input type="checkbox"/>	NFT	GNY	<input type="checkbox"/>	<input type="checkbox"/>	<input type="checkbox"/>	<input type="checkbox"/>	<input type="checkbox"/>	131.0#	N/A	N/A	N/A	2813	N/A	N/A	N/A
24x72	SUEAA2472-74P	<input type="checkbox"/>	<input type="checkbox"/>	<input type="checkbox"/>	<input type="checkbox"/>	NFT	GNY	<input type="checkbox"/>	<input type="checkbox"/>	<input type="checkbox"/>	<input type="checkbox"/>	<input type="checkbox"/>	115.0#	1200	N/A	N/A	N/A	25	170	N/A
24x72	SUEAA2472-RNT		<input type="checkbox"/>	<input type="checkbox"/>	<input type="checkbox"/>	NFT	GNY	<input type="checkbox"/>	<input type="checkbox"/>	<input type="checkbox"/>	<input type="checkbox"/>	<input type="checkbox"/>	148.0#	N/A	2394	N/A	N/A	N/A	N/A	N/A
24x72	SUEAA2472-WBB		<input type="checkbox"/>	<input type="checkbox"/>	<input type="checkbox"/>	NFT	GNY	<input type="checkbox"/>	<input type="checkbox"/>	<input type="checkbox"/>	<input type="checkbox"/>	<input type="checkbox"/>	146.0#	N/A	N/A	2230	N/A	N/A	N/A	N/A
24x72	SUEAA2472-SST			<input type="checkbox"/>	<input type="checkbox"/>	NFT	GNY	<input type="checkbox"/>	<input type="checkbox"/>	<input type="checkbox"/>	<input type="checkbox"/>	<input type="checkbox"/>	148.0#	N/A	N/A	N/A	3082	N/A	N/A	N/A
<p>SUEAA 24" Deep</p> <ul style="list-style-type: none"> Field assembly required Vertical and horizontal wire management is included when power modules are specified Undersurface power modules install along any side of the table Casters cannot be used on 24" deep tables Dual footrests are not available on 24" deep tables 																				
30x48	SUEAA3048-74P	<input type="checkbox"/>	<input type="checkbox"/>	<input type="checkbox"/>	<input type="checkbox"/>	<input type="checkbox"/>	<input type="checkbox"/>	<input type="checkbox"/>	<input type="checkbox"/>	<input type="checkbox"/>	<input type="checkbox"/>	<input type="checkbox"/>	103.0#	\$ 1138	N/A	N/A	N/A	\$ 25	\$ 170	\$ 573
30x48	SUEAA3048-RNT		<input type="checkbox"/>	<input type="checkbox"/>	<input type="checkbox"/>	<input type="checkbox"/>	<input type="checkbox"/>	<input type="checkbox"/>	<input type="checkbox"/>	<input type="checkbox"/>	<input type="checkbox"/>	<input type="checkbox"/>	131.0#	N/A	2171	N/A	N/A	N/A	N/A	573
30x48	SUEAA3048-WBB		<input type="checkbox"/>	<input type="checkbox"/>	<input type="checkbox"/>	<input type="checkbox"/>	<input type="checkbox"/>	<input type="checkbox"/>	<input type="checkbox"/>	<input type="checkbox"/>	<input type="checkbox"/>	<input type="checkbox"/>	129.0#	N/A	N/A	2051	N/A	N/A	N/A	573
30x48	SUEAA3048-SST			<input type="checkbox"/>	<input type="checkbox"/>	<input type="checkbox"/>	<input type="checkbox"/>	<input type="checkbox"/>	<input type="checkbox"/>	<input type="checkbox"/>	<input type="checkbox"/>	<input type="checkbox"/>	131.0#	N/A	N/A	N/A	2902	N/A	N/A	573
30x60	SUEAA3060-74P	<input type="checkbox"/>	<input type="checkbox"/>	<input type="checkbox"/>	<input type="checkbox"/>	<input type="checkbox"/>	<input type="checkbox"/>	<input type="checkbox"/>	<input type="checkbox"/>	<input type="checkbox"/>	<input type="checkbox"/>	<input type="checkbox"/>	117.0#	1217	N/A	N/A	N/A	25	170	629
30x60	SUEAA3060-RNT		<input type="checkbox"/>	<input type="checkbox"/>	<input type="checkbox"/>	<input type="checkbox"/>	<input type="checkbox"/>	<input type="checkbox"/>	<input type="checkbox"/>	<input type="checkbox"/>	<input type="checkbox"/>	<input type="checkbox"/>	152.0#	N/A	2488	N/A	N/A	N/A	N/A	629
30x60	SUEAA3060-WBB		<input type="checkbox"/>	<input type="checkbox"/>	<input type="checkbox"/>	<input type="checkbox"/>	<input type="checkbox"/>	<input type="checkbox"/>	<input type="checkbox"/>	<input type="checkbox"/>	<input type="checkbox"/>	<input type="checkbox"/>	150.0#	N/A	N/A	2271	N/A	N/A	N/A	629
30x60	SUEAA3060-SST			<input type="checkbox"/>	<input type="checkbox"/>	<input type="checkbox"/>	<input type="checkbox"/>	<input type="checkbox"/>	<input type="checkbox"/>	<input type="checkbox"/>	<input type="checkbox"/>	<input type="checkbox"/>	152.0#	N/A	N/A	N/A	3178	N/A	N/A	629
30x72	SUEAA3072-74P	<input type="checkbox"/>	<input type="checkbox"/>	<input type="checkbox"/>	<input type="checkbox"/>	<input type="checkbox"/>	<input type="checkbox"/>	<input type="checkbox"/>	<input type="checkbox"/>	<input type="checkbox"/>	<input type="checkbox"/>	<input type="checkbox"/>	132.0#	1290	N/A	N/A	N/A	25	170	748
30x72	SUEAA3072-RNT		<input type="checkbox"/>	<input type="checkbox"/>	<input type="checkbox"/>	<input type="checkbox"/>	<input type="checkbox"/>	<input type="checkbox"/>	<input type="checkbox"/>	<input type="checkbox"/>	<input type="checkbox"/>	<input type="checkbox"/>	173.0#	N/A	2710	N/A	N/A	N/A	N/A	748
30x72	SUEAA3072-WBB		<input type="checkbox"/>	<input type="checkbox"/>	<input type="checkbox"/>	<input type="checkbox"/>	<input type="checkbox"/>	<input type="checkbox"/>	<input type="checkbox"/>	<input type="checkbox"/>	<input type="checkbox"/>	<input type="checkbox"/>	171.0#	N/A	N/A	2553	N/A	N/A	N/A	748
30x72	SUEAA3072-SST			<input type="checkbox"/>	<input type="checkbox"/>	<input type="checkbox"/>	<input type="checkbox"/>	<input type="checkbox"/>	<input type="checkbox"/>	<input type="checkbox"/>	<input type="checkbox"/>	<input type="checkbox"/>	173.0#	N/A	N/A	N/A	3491	N/A	N/A	748
30x84	SUEAA3084-74P	<input type="checkbox"/>	<input type="checkbox"/>	<input type="checkbox"/>	<input type="checkbox"/>	<input type="checkbox"/>	<input type="checkbox"/>	<input type="checkbox"/>	<input type="checkbox"/>	<input type="checkbox"/>	<input type="checkbox"/>	<input type="checkbox"/>	146.0#	1582	N/A	N/A	N/A	50	350	874
30x84	SUEAA3084-RNT		<input type="checkbox"/>	<input type="checkbox"/>	<input type="checkbox"/>	<input type="checkbox"/>	<input type="checkbox"/>	<input type="checkbox"/>	<input type="checkbox"/>	<input type="checkbox"/>	<input type="checkbox"/>	<input type="checkbox"/>	195.0#	N/A	3038	N/A	N/A	N/A	N/A	874
30x84	SUEAA3084-WBB		<input type="checkbox"/>	<input type="checkbox"/>	<input type="checkbox"/>	<input type="checkbox"/>	<input type="checkbox"/>	<input type="checkbox"/>	<input type="checkbox"/>	<input type="checkbox"/>	<input type="checkbox"/>	<input type="checkbox"/>	191.0#	N/A	N/A	2852	N/A	N/A	N/A	874
30x84	SUEAA3084-SST			<input type="checkbox"/>	<input type="checkbox"/>	<input type="checkbox"/>	<input type="checkbox"/>	<input type="checkbox"/>	<input type="checkbox"/>	<input type="checkbox"/>	<input type="checkbox"/>	<input type="checkbox"/>	195.0#	N/A	N/A	N/A	3838	N/A	N/A	874



HOW TO ORDER

Indicate the following information on order form:

- Quantity of each item.
- Model number, including options. See "How to Build a Model Number".
- Any special service required.

Note:

- The indicates that a choice is required.
- The absence of the indicates that no choice is required.
- Alpha-numeric characters in place of indicate that no other alternatives are available.

HOW TO BUILD A MODEL NUMBER

A Select basic model.

B Select edge color. Refer to the **Product Color Options** page in this price list.

C Select surface finish. Refer to the **Product Color Options** page in this price list.

D Select pegboard end panel.
NPB - No pegboards
PB1 - Pegboard on one leg; add \$80
PB2 - Pegboards on both legs; add \$160

E Select frame color. Refer to the **Product Color Options** page in this price list.

F Select footrest/shelf selection.
NFT - No footrest
DFS - Dual footrest with shelf
 See pricing column for footrest upcharge.

G Select casters/glides.
GNY - Nylon glides
CCC - Casters; add \$110

H Select module.
NNN - No power modules
MU1 - Qty (1) Dean under-surface module; add \$380
MU2 - Qty (2) Dean under-surface modules; add \$760

I Select module color. Refer to the **Product Color Options** page in this price list.

J Select cord length.
9 - 9' cord length
15 - 15' cord length

K Select bag hook.
NB - No book bag hook
BH - Two book bag hooks; add \$35

L Select bag hook color.

Refer to the **Product Color Options** page in this price list.

SPECIAL SERVICES

Special Carton Marking
 With specially marked information N/C

Shipping
 Ships knocked down, FOB Bondue1, WI 54107, freight prepaid. Freight class 125.

Specifications and prices are subject to change without prior notice.

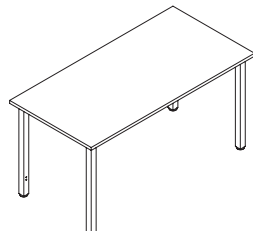
Stout™ Rectangle (Delivered)

Fixed 29" Height



Stout™ Rectangle (Delivered)

Fixed 29" Height

A x B	MODEL NUMBER												Approx. Packaged Weight	1-1/4" Laminate Top with 74P Edge (74P)	1" Phenolic Resin Top (RNT)	1-3/4" Butcher Block Wood Top (WBB)	1-1/2" Stainless Steel Top (SST)	Laminate Grade 2 add to list price		Laminate Grade 3 add to list price		Single Footrest
	Basic Model	Edge Color	Surf. Finish	Peg-board	Frame Color	Foot-rest/Shelf	Caster/Glide	Module	Mod. Color	Cord Length	Bag Hook	Bag Hook Color						\$		\$		
 <p>SUEAA 36" Deep</p> <ul style="list-style-type: none"> Field assembly required Vertical and horizontal wire management is included when power modules are specified Undersurface power modules install along any side of the table 	36x48	SUEAA3648-74P	<input type="checkbox"/>	<input type="checkbox"/>	<input type="checkbox"/>	<input type="checkbox"/>	<input type="checkbox"/>	<input type="checkbox"/>	<input type="checkbox"/>	<input type="checkbox"/>	<input type="checkbox"/>	<input type="checkbox"/>		146.0#	\$ 1338	N/A	N/A	N/A	N/A	\$ 35	\$ 225	\$ 231
	36x48	SUEAA3648-RNT	<input type="checkbox"/>	<input type="checkbox"/>	<input type="checkbox"/>	<input type="checkbox"/>	<input type="checkbox"/>	<input type="checkbox"/>	<input type="checkbox"/>	<input type="checkbox"/>	<input type="checkbox"/>	<input type="checkbox"/>		179.0#	N/A	2465	N/A	N/A	N/A	N/A	N/A	231
	36x48	SUEAA3648-WBB	<input type="checkbox"/>	<input type="checkbox"/>	<input type="checkbox"/>	<input type="checkbox"/>	<input type="checkbox"/>	<input type="checkbox"/>	<input type="checkbox"/>	<input type="checkbox"/>	<input type="checkbox"/>	<input type="checkbox"/>		177.0#	N/A	N/A	2368	N/A	N/A	N/A	N/A	231
	36x48	SUEAA3648-SST	<input type="checkbox"/>	<input type="checkbox"/>	<input type="checkbox"/>	<input type="checkbox"/>	<input type="checkbox"/>	<input type="checkbox"/>	<input type="checkbox"/>	<input type="checkbox"/>	<input type="checkbox"/>	<input type="checkbox"/>		179.0#	N/A	N/A	N/A	3029	N/A	N/A	N/A	231
	36x60	SUEAA3660-74P	<input type="checkbox"/>	<input type="checkbox"/>	<input type="checkbox"/>	<input type="checkbox"/>	<input type="checkbox"/>	<input type="checkbox"/>	<input type="checkbox"/>	<input type="checkbox"/>	<input type="checkbox"/>	<input type="checkbox"/>		166.0#	1458	N/A	N/A	N/A	N/A	50	350	249
	36x60	SUEAA3660-RNT	<input type="checkbox"/>	<input type="checkbox"/>	<input type="checkbox"/>	<input type="checkbox"/>	<input type="checkbox"/>	<input type="checkbox"/>	<input type="checkbox"/>	<input type="checkbox"/>	<input type="checkbox"/>	<input type="checkbox"/>		208.0#	N/A	2791	N/A	N/A	N/A	N/A	N/A	249
	36x60	SUEAA3660-WBB	<input type="checkbox"/>	<input type="checkbox"/>	<input type="checkbox"/>	<input type="checkbox"/>	<input type="checkbox"/>	<input type="checkbox"/>	<input type="checkbox"/>	<input type="checkbox"/>	<input type="checkbox"/>	<input type="checkbox"/>		205.0#	N/A	N/A	2684	N/A	N/A	N/A	N/A	249
	36x60	SUEAA3660-SST	<input type="checkbox"/>	<input type="checkbox"/>	<input type="checkbox"/>	<input type="checkbox"/>	<input type="checkbox"/>	<input type="checkbox"/>	<input type="checkbox"/>	<input type="checkbox"/>	<input type="checkbox"/>	<input type="checkbox"/>		208.0#	N/A	N/A	N/A	3330	N/A	N/A	N/A	249
	36x72	SUEAA3672-74P	<input type="checkbox"/>	<input type="checkbox"/>	<input type="checkbox"/>	<input type="checkbox"/>	<input type="checkbox"/>	<input type="checkbox"/>	<input type="checkbox"/>	<input type="checkbox"/>	<input type="checkbox"/>	<input type="checkbox"/>		186.0#	1542	N/A	N/A	N/A	N/A	50	350	265
	36x72	SUEAA3672-RNT	<input type="checkbox"/>	<input type="checkbox"/>	<input type="checkbox"/>	<input type="checkbox"/>	<input type="checkbox"/>	<input type="checkbox"/>	<input type="checkbox"/>	<input type="checkbox"/>	<input type="checkbox"/>	<input type="checkbox"/>		236.0#	N/A	3121	N/A	N/A	N/A	N/A	N/A	265
<p>SUEAA 42" Deep</p> <ul style="list-style-type: none"> Field assembly required Vertical and horizontal wire management is included when power modules are specified Undersurface power modules install along any side of the table 	36x72	SUEAA3672-WBB	<input type="checkbox"/>	<input type="checkbox"/>	<input type="checkbox"/>	<input type="checkbox"/>	<input type="checkbox"/>	<input type="checkbox"/>	<input type="checkbox"/>	<input type="checkbox"/>	<input type="checkbox"/>		233.0#	N/A	N/A	3051	N/A	N/A	N/A	N/A	265	
	36x72	SUEAA3672-SST	<input type="checkbox"/>	<input type="checkbox"/>	<input type="checkbox"/>	<input type="checkbox"/>	<input type="checkbox"/>	<input type="checkbox"/>	<input type="checkbox"/>	<input type="checkbox"/>	<input type="checkbox"/>		236.0#	N/A	N/A	N/A	N/A	3634	N/A	N/A	N/A	265
	36x84	SUEAA3684-74P	<input type="checkbox"/>	<input type="checkbox"/>	<input type="checkbox"/>	<input type="checkbox"/>	<input type="checkbox"/>	<input type="checkbox"/>	<input type="checkbox"/>	<input type="checkbox"/>	<input type="checkbox"/>	<input type="checkbox"/>		206.0#	1842	N/A	N/A	N/A	N/A	70	450	283
	36x84	SUEAA3684-RNT	<input type="checkbox"/>	<input type="checkbox"/>	<input type="checkbox"/>	<input type="checkbox"/>	<input type="checkbox"/>	<input type="checkbox"/>	<input type="checkbox"/>	<input type="checkbox"/>	<input type="checkbox"/>	<input type="checkbox"/>		265.0#	N/A	3461	N/A	N/A	N/A	N/A	N/A	283
	36x84	SUEAA3684-WBB	<input type="checkbox"/>	<input type="checkbox"/>	<input type="checkbox"/>	<input type="checkbox"/>	<input type="checkbox"/>	<input type="checkbox"/>	<input type="checkbox"/>	<input type="checkbox"/>	<input type="checkbox"/>	<input type="checkbox"/>		261.0#	N/A	N/A	3381	N/A	N/A	N/A	N/A	283
	36x84	SUEAA3684-SST	<input type="checkbox"/>	<input type="checkbox"/>	<input type="checkbox"/>	<input type="checkbox"/>	<input type="checkbox"/>	<input type="checkbox"/>	<input type="checkbox"/>	<input type="checkbox"/>	<input type="checkbox"/>	<input type="checkbox"/>		265.0#	N/A	N/A	N/A	3997	N/A	N/A	N/A	283
	42x48	SUEAA4248-74P	<input type="checkbox"/>	<input type="checkbox"/>	<input type="checkbox"/>	<input type="checkbox"/>	<input type="checkbox"/>	<input type="checkbox"/>	<input type="checkbox"/>	<input type="checkbox"/>	<input type="checkbox"/>	<input type="checkbox"/>		165.0#	\$ 1555	N/A	N/A	N/A	N/A	\$ 35	\$ 225	\$ 243
	42x48	SUEAA4248-RNT	<input type="checkbox"/>	<input type="checkbox"/>	<input type="checkbox"/>	<input type="checkbox"/>	<input type="checkbox"/>	<input type="checkbox"/>	<input type="checkbox"/>	<input type="checkbox"/>	<input type="checkbox"/>	<input type="checkbox"/>		204.0#	N/A	2678	N/A	N/A	N/A	N/A	N/A	243
	42x48	SUEAA4248-WBB	<input type="checkbox"/>	<input type="checkbox"/>	<input type="checkbox"/>	<input type="checkbox"/>	<input type="checkbox"/>	<input type="checkbox"/>	<input type="checkbox"/>	<input type="checkbox"/>	<input type="checkbox"/>	<input type="checkbox"/>		201.0#	N/A	N/A	2646	N/A	N/A	N/A	N/A	243
	42x48	SUEAA4248-SST	<input type="checkbox"/>	<input type="checkbox"/>	<input type="checkbox"/>	<input type="checkbox"/>	<input type="checkbox"/>	<input type="checkbox"/>	<input type="checkbox"/>	<input type="checkbox"/>	<input type="checkbox"/>	<input type="checkbox"/>		204.0#	N/A	N/A	N/A	3080	N/A	N/A	N/A	243
<p>SUEAA 42" Deep</p> <ul style="list-style-type: none"> Field assembly required Vertical and horizontal wire management is included when power modules are specified Undersurface power modules install along any side of the table 	42x60	SUEAA4260-74P	<input type="checkbox"/>	<input type="checkbox"/>	<input type="checkbox"/>	<input type="checkbox"/>	<input type="checkbox"/>	<input type="checkbox"/>	<input type="checkbox"/>	<input type="checkbox"/>	<input type="checkbox"/>		187.0#	1593	N/A	N/A	N/A	N/A	50	350	259	
	42x60	SUEAA4260-RNT	<input type="checkbox"/>	<input type="checkbox"/>	<input type="checkbox"/>	<input type="checkbox"/>	<input type="checkbox"/>	<input type="checkbox"/>	<input type="checkbox"/>	<input type="checkbox"/>	<input type="checkbox"/>		236.0#	N/A	3103	N/A	N/A	N/A	N/A	N/A	N/A	259
	42x60	SUEAA4260-WBB	<input type="checkbox"/>	<input type="checkbox"/>	<input type="checkbox"/>	<input type="checkbox"/>	<input type="checkbox"/>	<input type="checkbox"/>	<input type="checkbox"/>	<input type="checkbox"/>	<input type="checkbox"/>		232.0#	N/A	N/A	2945	N/A	N/A	N/A	N/A	N/A	259
	42x60	SUEAA4260-SST	<input type="checkbox"/>	<input type="checkbox"/>	<input type="checkbox"/>	<input type="checkbox"/>	<input type="checkbox"/>	<input type="checkbox"/>	<input type="checkbox"/>	<input type="checkbox"/>	<input type="checkbox"/>		236.0#	N/A	N/A	N/A	N/A	3503	N/A	N/A	N/A	259
	42x72	SUEAA4272-74P	<input type="checkbox"/>	<input type="checkbox"/>	<input type="checkbox"/>	<input type="checkbox"/>	<input type="checkbox"/>	<input type="checkbox"/>	<input type="checkbox"/>	<input type="checkbox"/>	<input type="checkbox"/>		209.0#	1651	N/A	N/A	N/A	N/A	50	350	275	
	42x72	SUEAA4272-RNT	<input type="checkbox"/>	<input type="checkbox"/>	<input type="checkbox"/>	<input type="checkbox"/>	<input type="checkbox"/>	<input type="checkbox"/>	<input type="checkbox"/>	<input type="checkbox"/>	<input type="checkbox"/>		268.0#	N/A	3433	N/A	N/A	N/A	N/A	N/A	N/A	275
	42x72	SUEAA4272-WBB	<input type="checkbox"/>	<input type="checkbox"/>	<input type="checkbox"/>	<input type="checkbox"/>	<input type="checkbox"/>	<input type="checkbox"/>	<input type="checkbox"/>	<input type="checkbox"/>	<input type="checkbox"/>		264.0#	N/A	N/A	3395	N/A	N/A	N/A	N/A	N/A	275
	42x72	SUEAA4272-SST	<input type="checkbox"/>	<input type="checkbox"/>	<input type="checkbox"/>	<input type="checkbox"/>	<input type="checkbox"/>	<input type="checkbox"/>	<input type="checkbox"/>	<input type="checkbox"/>	<input type="checkbox"/>		268.0#	N/A	N/A	N/A	N/A	3822	N/A	N/A	N/A	275
	42x84	SUEAA4284-74P	<input type="checkbox"/>	<input type="checkbox"/>	<input type="checkbox"/>	<input type="checkbox"/>	<input type="checkbox"/>	<input type="checkbox"/>	<input type="checkbox"/>	<input type="checkbox"/>	<input type="checkbox"/>		231.0#	1923	N/A	N/A	N/A	N/A	70	450	289	
	42x84	SUEAA4284-RNT	<input type="checkbox"/>	<input type="checkbox"/>	<input type="checkbox"/>	<input type="checkbox"/>	<input type="checkbox"/>	<input type="checkbox"/>	<input type="checkbox"/>	<input type="checkbox"/>	<input type="checkbox"/>		300.0#	N/A	3873	N/A	N/A	N/A	N/A	N/A	N/A	289
42x84	SUEAA4284-WBB	<input type="checkbox"/>	<input type="checkbox"/>	<input type="checkbox"/>	<input type="checkbox"/>	<input type="checkbox"/>	<input type="checkbox"/>	<input type="checkbox"/>	<input type="checkbox"/>	<input type="checkbox"/>		295.0#	N/A	N/A	3810	N/A	N/A	N/A	N/A	N/A	289	
42x84	SUEAA4284-SST	<input type="checkbox"/>	<input type="checkbox"/>	<input type="checkbox"/>	<input type="checkbox"/>	<input type="checkbox"/>	<input type="checkbox"/>	<input type="checkbox"/>	<input type="checkbox"/>	<input type="checkbox"/>		300.0#	N/A	N/A	N/A	N/A	4395	N/A	N/A	N/A	289	

HOW TO ORDER

Indicate the following information on order form:

- Quantity of each item.
- Model number, including options. See "How To Build a Model Number".
- Any special service required.

Note:

- The indicates that a choice is required.
- The absence of the indicates that no choice is required.
- Alpha-numeric characters in place of indicate that no other alternatives are available.

HOW TO BUILD A MODEL NUMBER

A Select basic model.

B Select edge color. Refer to the **Product Color Options** page in this price list.

C Select surface finish. Refer to the **Product Color Options** page in this price list.

D Select pegboard end panel.
NPB - No pegboards
PB1 - Pegboard on one leg; add \$80
PB2 - Pegboards on both legs; add \$160

E Select frame color. Refer to the **Product Color Options** page in this price list.

F Select footrest/shelf selection.
NFT - No footrest
SFT - Single footrest
 See pricing column for footrest upcharge.

G Select casters/glides.
GNV - Nylon glides
CCC - Casters; add \$110

H Select module.
NNN - No power modules
MU1 - Qty (1) Dean under-surface module; add \$380
MU2 - Qty (2) Dean under-surface modules; add \$760

I Select module color. Refer to the **Product Color Options** page in this price list.

J Select cord length.
9 - 9' cord length
15 - 15' cord length

K Select bag hook.
NB - No book bag hook
BH - Four book bag hooks; add \$70

L Select bag hook color.

Refer to the **Product Color Options** page in this price list.

SPECIAL SERVICES

Special Carton Marking
 With specially marked information N/C

Shipping
 Ships knocked down, FOB Bonduel, WI 54107, freight prepaid. Freight class 125.

Specifications and prices are subject to change without prior notice.

Stout™ Rectangle (Delivered)

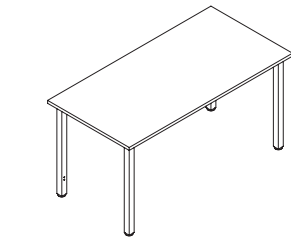
Fixed 29" Height



Stout™ Rectangle (Delivered)

Fixed 29" Height

A x B	MODEL NUMBER													Approx. Packaged Weight	1-1/4" Laminate Top with 74P Edge (74P)	1" Phenolic Resin Top (RNT)	1-3/4" Butcher Block Wood Top (WBB)	1-1/2" Stainless Steel Top (SST)	Laminate Grade 2 add to list price	Laminate Grade 3 add to list price	Single Footrest	Dual Footrest	Dual Footrest w/Shelf
	Basic Model	Edge Color	Surf. Finish	Peg-board	Frame Color	Foot-rest/Shelf	Shelf Color	Caster/Glide	Mod-ule	Mod. Color	Cord Length	Bag Hook	Bag Hook Color										
48x48	SUEAA4848-74P	<input type="checkbox"/>	<input type="checkbox"/>	<input type="checkbox"/>	<input type="checkbox"/>	<input type="checkbox"/>	<input type="checkbox"/>	<input type="checkbox"/>	<input type="checkbox"/>	<input type="checkbox"/>	<input type="checkbox"/>	<input type="checkbox"/>	<input type="checkbox"/>	178.0#	\$ 1487	N/A	N/A	N/A	\$ 35	\$ 225	\$ 253	\$ 363	\$ 628
48x48	SUEAA4848-RNT		<input type="checkbox"/>	<input type="checkbox"/>	<input type="checkbox"/>	<input type="checkbox"/>	<input type="checkbox"/>	<input type="checkbox"/>	<input type="checkbox"/>	<input type="checkbox"/>	<input type="checkbox"/>	<input type="checkbox"/>	<input type="checkbox"/>	223.0#	N/A	2893	N/A	N/A	N/A	N/A	253	363	628
48x48	SUEAA4848-WBB		<input type="checkbox"/>	<input type="checkbox"/>	<input type="checkbox"/>	<input type="checkbox"/>	<input type="checkbox"/>	<input type="checkbox"/>	<input type="checkbox"/>	<input type="checkbox"/>	<input type="checkbox"/>	<input type="checkbox"/>	<input type="checkbox"/>	220.0#	N/A	N/A	2920	N/A	N/A	253	363	628	
48x48	SUEAA4848-SST			<input type="checkbox"/>	<input type="checkbox"/>	<input type="checkbox"/>	<input type="checkbox"/>	<input type="checkbox"/>	<input type="checkbox"/>	<input type="checkbox"/>	<input type="checkbox"/>	<input type="checkbox"/>	<input type="checkbox"/>	223.0#	N/A	N/A	N/A	3331	N/A	N/A	253	363	628
48x60	SUEAA4860-74P	<input type="checkbox"/>	<input type="checkbox"/>	<input type="checkbox"/>	<input type="checkbox"/>	<input type="checkbox"/>	<input type="checkbox"/>	<input type="checkbox"/>	<input type="checkbox"/>	<input type="checkbox"/>	<input type="checkbox"/>	<input type="checkbox"/>	<input type="checkbox"/>	203.0#	1617	N/A	N/A	N/A	50	350	269	381	675
48x60	SUEAA4860-RNT		<input type="checkbox"/>	<input type="checkbox"/>	<input type="checkbox"/>	<input type="checkbox"/>	<input type="checkbox"/>	<input type="checkbox"/>	<input type="checkbox"/>	<input type="checkbox"/>	<input type="checkbox"/>	<input type="checkbox"/>	<input type="checkbox"/>	259.0#	N/A	3318	N/A	N/A	N/A	N/A	269	381	675
48x60	SUEAA4860-WBB		<input type="checkbox"/>	<input type="checkbox"/>	<input type="checkbox"/>	<input type="checkbox"/>	<input type="checkbox"/>	<input type="checkbox"/>	<input type="checkbox"/>	<input type="checkbox"/>	<input type="checkbox"/>	<input type="checkbox"/>	<input type="checkbox"/>	255.0#	N/A	N/A	3510	N/A	N/A	269	381	675	
48x60	SUEAA4860-SST			<input type="checkbox"/>	<input type="checkbox"/>	<input type="checkbox"/>	<input type="checkbox"/>	<input type="checkbox"/>	<input type="checkbox"/>	<input type="checkbox"/>	<input type="checkbox"/>	<input type="checkbox"/>	<input type="checkbox"/>	259.0#	N/A	N/A	N/A	3677	N/A	N/A	269	381	675
48x72	SUEAA4872-74P	<input type="checkbox"/>	<input type="checkbox"/>	<input type="checkbox"/>	<input type="checkbox"/>	<input type="checkbox"/>	<input type="checkbox"/>	<input type="checkbox"/>	<input type="checkbox"/>	<input type="checkbox"/>	<input type="checkbox"/>	<input type="checkbox"/>	<input type="checkbox"/>	227.0#	1711	N/A	N/A	N/A	50	350	284	408	793
48x72	SUEAA4872-RNT		<input type="checkbox"/>	<input type="checkbox"/>	<input type="checkbox"/>	<input type="checkbox"/>	<input type="checkbox"/>	<input type="checkbox"/>	<input type="checkbox"/>	<input type="checkbox"/>	<input type="checkbox"/>	<input type="checkbox"/>	<input type="checkbox"/>	294.0#	N/A	3749	N/A	N/A	N/A	N/A	284	408	793
48x72	SUEAA4872-WBB		<input type="checkbox"/>	<input type="checkbox"/>	<input type="checkbox"/>	<input type="checkbox"/>	<input type="checkbox"/>	<input type="checkbox"/>	<input type="checkbox"/>	<input type="checkbox"/>	<input type="checkbox"/>	<input type="checkbox"/>	<input type="checkbox"/>	289.0#	N/A	N/A	4016	N/A	N/A	284	408	793	
48x72	SUEAA4872-SST			<input type="checkbox"/>	<input type="checkbox"/>	<input type="checkbox"/>	<input type="checkbox"/>	<input type="checkbox"/>	<input type="checkbox"/>	<input type="checkbox"/>	<input type="checkbox"/>	<input type="checkbox"/>	<input type="checkbox"/>	294.0#	N/A	N/A	N/A	4014	N/A	N/A	284	408	793
48x84	SUEAA4884-74P	<input type="checkbox"/>	<input type="checkbox"/>	<input type="checkbox"/>	<input type="checkbox"/>	<input type="checkbox"/>	<input type="checkbox"/>	<input type="checkbox"/>	<input type="checkbox"/>	<input type="checkbox"/>	<input type="checkbox"/>	<input type="checkbox"/>	<input type="checkbox"/>	251.0#	1981	N/A	N/A	N/A	70	450	297	411	899
48x84	SUEAA4884-RNT		<input type="checkbox"/>	<input type="checkbox"/>	<input type="checkbox"/>	<input type="checkbox"/>	<input type="checkbox"/>	<input type="checkbox"/>	<input type="checkbox"/>	<input type="checkbox"/>	<input type="checkbox"/>	<input type="checkbox"/>	<input type="checkbox"/>	329.0#	N/A	4186	N/A	N/A	N/A	N/A	297	411	899
48x84	SUEAA4884-WBB		<input type="checkbox"/>	<input type="checkbox"/>	<input type="checkbox"/>	<input type="checkbox"/>	<input type="checkbox"/>	<input type="checkbox"/>	<input type="checkbox"/>	<input type="checkbox"/>	<input type="checkbox"/>	<input type="checkbox"/>	<input type="checkbox"/>	324.0#	N/A	N/A	4570	N/A	N/A	297	411	899	
48x84	SUEAA4884-SST			<input type="checkbox"/>	<input type="checkbox"/>	<input type="checkbox"/>	<input type="checkbox"/>	<input type="checkbox"/>	<input type="checkbox"/>	<input type="checkbox"/>	<input type="checkbox"/>	<input type="checkbox"/>	<input type="checkbox"/>	329.0#	N/A	N/A	N/A	4918	N/A	N/A	297	411	899



- SUEAA
48" Deep
- Field assembly required
 - Vertical and horizontal wire management is included when power modules are specified
 - Undersurface power modules install along any side of the table

A **B** **C** **D** **E** **F** **G** **H** **I** **J** **K** **L** **M**

HOW TO ORDER

- Indicate the following information on order form:
- Quantity of each item.
 - Model number, including options. See "How To Build a Model Number".
 - Any special service required.

- Note:
- The indicates that a choice is required.
 - The absence of the indicates that no choice is required.
 - Alpha-numeric characters in place of indicate that no other alternatives are available.

HOW TO BUILD A MODEL NUMBER

- A** Select basic model.
- B** Select edge color. Refer to the **Product Color Options** page in this price list.
- C** Select surface finish. Refer to the **Product Color Options** page in this price list.
- D** Select pegboard end panel.
 - NPB** - No pegboards
 - PB1** - Pegboard on one leg; add \$80
 - PB2** - Pegboards on both legs; add \$160
- E** Select frame color. Refer to the **Product Color Options** page in this price list.
- F** Select footrest/shelf selection.
 - NFT** - No footrest
 - SFT** - Single footrest
 - DFT** - Dual footrest

- DFS** - Dual footrest with shelf. See pricing column for footrest upcharge.
- G** Select shelf color. Refer to the **Product Color Options** page in this price list.
- H** Select casters/glides.
 - GNY** - Nylon glides
 - CCC** - Casters; add \$110
- I** Select module.
 - NNN** - No power modules
 - MU1** - Qty (1) Dean under-surface module; add \$380
 - MU2** - Qty (2) Dean under-surface modules; add \$760
- J** Select module color. Refer to the **Product Color Options** page in this price list.
- K** Select cord length.
 - 9** - 9' cord length
 - 15** - 15' cord length

- L** Select bag hook.
 - NB** - No book bag hook
 - BH** - Four book bag hooks; add \$70
- M** Select bag hook color. Refer to the **Product Color Options** page in this price list.

SPECIAL SERVICES

Special Carton Marking

With specially marked information N/C

Shipping

Ships **knocked down, FOB Bonduel, WI 54107, freight prepaid.** Freight class 125.

Specifications and prices are subject to change without prior notice.

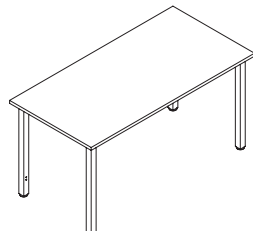
Stout™ Rectangle (Delivered)

Fixed 36" Height



Stout™ Rectangle (Delivered)

Fixed 36" Height

A x B	MODEL NUMBER												Approx. Packaged Weight	1-1/4" Laminate Top with 74P Edge (74P)	1" Phenolic Resin Top (RNT)	1-3/4" Butcher Block Wood Top (WBB)	1-1/2" Stainless Steel Top (SST)	Laminate Grade 2 add to list price	Laminate Grade 3 add to list price	Single Footrest	Dual Footrest	Dual Footrest w/Shelf
	Basic Model	Edge Color	Surf. Finish	Peg-board	Frame Color	Foot-rest/Shelf	Caster/Glide	Mod-ule	Mod. Color	Cord Length	Bag Hook	Bag Hook Color										
 <p>SUEBA 24" Deep</p> <ul style="list-style-type: none"> Field assembly required Vertical and horizontal wire management is included when power modules are specified Undersurface power modules install along any side of the table Casters cannot be used on 24" deep tables Dual footrests are not available on 24" deep tables 	24x48	SUEBA2448-74P	<input type="checkbox"/>	<input type="checkbox"/>	<input type="checkbox"/>	<input type="checkbox"/>	GNY	<input type="checkbox"/>	<input type="checkbox"/>	<input type="checkbox"/>	<input type="checkbox"/>	<input type="checkbox"/>	108.0#	\$ 1053	N/A	N/A	N/A	\$ 18	\$ 115	\$ 212	N/A	N/A
	24x48	SUEBA2448-RNT	<input type="checkbox"/>	<input type="checkbox"/>	<input type="checkbox"/>	<input type="checkbox"/>	GNY	<input type="checkbox"/>	<input type="checkbox"/>	<input type="checkbox"/>	<input type="checkbox"/>	<input type="checkbox"/>	130.0#	N/A	1972	N/A	N/A	N/A	N/A	212	N/A	N/A
	24x48	SUEBA2448-WBB	<input type="checkbox"/>	<input type="checkbox"/>	<input type="checkbox"/>	<input type="checkbox"/>	GNY	<input type="checkbox"/>	<input type="checkbox"/>	<input type="checkbox"/>	<input type="checkbox"/>	<input type="checkbox"/>	129.0#	N/A	N/A	1854	N/A	N/A	N/A	212	N/A	N/A
	24x48	SUEBA2448-SST	<input type="checkbox"/>	<input type="checkbox"/>	<input type="checkbox"/>	<input type="checkbox"/>	GNY	<input type="checkbox"/>	<input type="checkbox"/>	<input type="checkbox"/>	<input type="checkbox"/>	<input type="checkbox"/>	130.0#	N/A	N/A	N/A	2594	N/A	N/A	212	N/A	N/A
	24x60	SUEBA2460-74P	<input type="checkbox"/>	<input type="checkbox"/>	<input type="checkbox"/>	<input type="checkbox"/>	GNY	<input type="checkbox"/>	<input type="checkbox"/>	<input type="checkbox"/>	<input type="checkbox"/>	<input type="checkbox"/>	122.0#	1145	N/A	N/A	N/A	25	170	226	N/A	N/A
	24x60	SUEBA2460-RNT	<input type="checkbox"/>	<input type="checkbox"/>	<input type="checkbox"/>	<input type="checkbox"/>	GNY	<input type="checkbox"/>	<input type="checkbox"/>	<input type="checkbox"/>	<input type="checkbox"/>	<input type="checkbox"/>	150.0#	N/A	2190	N/A	N/A	N/A	N/A	226	N/A	N/A
	24x60	SUEBA2460-WBB	<input type="checkbox"/>	<input type="checkbox"/>	<input type="checkbox"/>	<input type="checkbox"/>	GNY	<input type="checkbox"/>	<input type="checkbox"/>	<input type="checkbox"/>	<input type="checkbox"/>	<input type="checkbox"/>	148.0#	N/A	N/A	2022	N/A	N/A	N/A	226	N/A	N/A
	24x60	SUEBA2460-SST	<input type="checkbox"/>	<input type="checkbox"/>	<input type="checkbox"/>	<input type="checkbox"/>	GNY	<input type="checkbox"/>	<input type="checkbox"/>	<input type="checkbox"/>	<input type="checkbox"/>	<input type="checkbox"/>	150.0#	N/A	N/A	N/A	2831	N/A	N/A	226	N/A	N/A
	24x72	SUEBA2472-74P	<input type="checkbox"/>	<input type="checkbox"/>	<input type="checkbox"/>	<input type="checkbox"/>	GNY	<input type="checkbox"/>	<input type="checkbox"/>	<input type="checkbox"/>	<input type="checkbox"/>	<input type="checkbox"/>	140.0#	1220	N/A	N/A	N/A	25	170	242	N/A	N/A
	24x72	SUEBA2472-RNT	<input type="checkbox"/>	<input type="checkbox"/>	<input type="checkbox"/>	<input type="checkbox"/>	GNY	<input type="checkbox"/>	<input type="checkbox"/>	<input type="checkbox"/>	<input type="checkbox"/>	<input type="checkbox"/>	169.0#	N/A	2412	N/A	N/A	N/A	N/A	242	N/A	N/A
24x72	SUEBA2472-WBB	<input type="checkbox"/>	<input type="checkbox"/>	<input type="checkbox"/>	<input type="checkbox"/>	GNY	<input type="checkbox"/>	<input type="checkbox"/>	<input type="checkbox"/>	<input type="checkbox"/>	<input type="checkbox"/>	167.0#	N/A	N/A	2248	N/A	N/A	N/A	242	N/A	N/A	
24x72	SUEBA2472-SST	<input type="checkbox"/>	<input type="checkbox"/>	<input type="checkbox"/>	<input type="checkbox"/>	GNY	<input type="checkbox"/>	<input type="checkbox"/>	<input type="checkbox"/>	<input type="checkbox"/>	<input type="checkbox"/>	169.0#	N/A	N/A	N/A	3100	N/A	N/A	242	N/A	N/A	
<p>SUEBA 30" Deep</p> <ul style="list-style-type: none"> Field assembly required Vertical and horizontal wire management is included when power modules are specified Undersurface power modules install along any side of the table 	30x48	SUEBA3048-74P	<input type="checkbox"/>	<input type="checkbox"/>	<input type="checkbox"/>	<input type="checkbox"/>	<input type="checkbox"/>	<input type="checkbox"/>	<input type="checkbox"/>	<input type="checkbox"/>	<input type="checkbox"/>	122.0#	\$ 1158	N/A	N/A	N/A	\$ 25	\$ 170	\$ 220	\$ 308	\$ 573	
	30x48	SUEBA3048-RNT	<input type="checkbox"/>	<input type="checkbox"/>	<input type="checkbox"/>	<input type="checkbox"/>	<input type="checkbox"/>	<input type="checkbox"/>	<input type="checkbox"/>	<input type="checkbox"/>	<input type="checkbox"/>	150.0#	N/A	2189	N/A	N/A	N/A	N/A	220	308	573	
	30x48	SUEBA3048-WBB	<input type="checkbox"/>	<input type="checkbox"/>	<input type="checkbox"/>	<input type="checkbox"/>	<input type="checkbox"/>	<input type="checkbox"/>	<input type="checkbox"/>	<input type="checkbox"/>	<input type="checkbox"/>	148.0#	N/A	N/A	2068	N/A	N/A	N/A	220	308	573	
	30x48	SUEBA3048-SST	<input type="checkbox"/>	<input type="checkbox"/>	<input type="checkbox"/>	<input type="checkbox"/>	<input type="checkbox"/>	<input type="checkbox"/>	<input type="checkbox"/>	<input type="checkbox"/>	<input type="checkbox"/>	150.0#	N/A	N/A	N/A	2920	N/A	N/A	220	308	573	
	30x60	SUEBA3060-74P	<input type="checkbox"/>	<input type="checkbox"/>	<input type="checkbox"/>	<input type="checkbox"/>	<input type="checkbox"/>	<input type="checkbox"/>	<input type="checkbox"/>	<input type="checkbox"/>	<input type="checkbox"/>	138.0#	1237	N/A	N/A	N/A	25	170	242	335	629	
	30x60	SUEBA3060-RNT	<input type="checkbox"/>	<input type="checkbox"/>	<input type="checkbox"/>	<input type="checkbox"/>	<input type="checkbox"/>	<input type="checkbox"/>	<input type="checkbox"/>	<input type="checkbox"/>	<input type="checkbox"/>	173.0#	N/A	2506	N/A	N/A	N/A	N/A	242	335	629	
	30x60	SUEBA3060-WBB	<input type="checkbox"/>	<input type="checkbox"/>	<input type="checkbox"/>	<input type="checkbox"/>	<input type="checkbox"/>	<input type="checkbox"/>	<input type="checkbox"/>	<input type="checkbox"/>	<input type="checkbox"/>	171.0#	N/A	N/A	2289	N/A	N/A	N/A	242	335	629	
	30x60	SUEBA3060-SST	<input type="checkbox"/>	<input type="checkbox"/>	<input type="checkbox"/>	<input type="checkbox"/>	<input type="checkbox"/>	<input type="checkbox"/>	<input type="checkbox"/>	<input type="checkbox"/>	<input type="checkbox"/>	173.0#	N/A	N/A	N/A	3196	N/A	N/A	242	335	629	
	30x72	SUEBA3072-74P	<input type="checkbox"/>	<input type="checkbox"/>	<input type="checkbox"/>	<input type="checkbox"/>	<input type="checkbox"/>	<input type="checkbox"/>	<input type="checkbox"/>	<input type="checkbox"/>	<input type="checkbox"/>	154.0#	1311	N/A	N/A	N/A	25	170	253	362	748	
	30x72	SUEBA3072-RNT	<input type="checkbox"/>	<input type="checkbox"/>	<input type="checkbox"/>	<input type="checkbox"/>	<input type="checkbox"/>	<input type="checkbox"/>	<input type="checkbox"/>	<input type="checkbox"/>	<input type="checkbox"/>	196.0#	N/A	2728	N/A	N/A	N/A	N/A	253	362	748	
30x72	SUEBA3072-WBB	<input type="checkbox"/>	<input type="checkbox"/>	<input type="checkbox"/>	<input type="checkbox"/>	<input type="checkbox"/>	<input type="checkbox"/>	<input type="checkbox"/>	<input type="checkbox"/>	<input type="checkbox"/>	193.0#	N/A	N/A	2571	N/A	N/A	N/A	253	362	748		
30x72	SUEBA3072-SST	<input type="checkbox"/>	<input type="checkbox"/>	<input type="checkbox"/>	<input type="checkbox"/>	<input type="checkbox"/>	<input type="checkbox"/>	<input type="checkbox"/>	<input type="checkbox"/>	<input type="checkbox"/>	196.0#	N/A	N/A	N/A	3510	N/A	N/A	253	362	748		
30x84	SUEBA3084-74P	<input type="checkbox"/>	<input type="checkbox"/>	<input type="checkbox"/>	<input type="checkbox"/>	<input type="checkbox"/>	<input type="checkbox"/>	<input type="checkbox"/>	<input type="checkbox"/>	<input type="checkbox"/>	171.0#	1603	N/A	N/A	N/A	50	350	271	387	874		
30x84	SUEBA3084-RNT	<input type="checkbox"/>	<input type="checkbox"/>	<input type="checkbox"/>	<input type="checkbox"/>	<input type="checkbox"/>	<input type="checkbox"/>	<input type="checkbox"/>	<input type="checkbox"/>	<input type="checkbox"/>	219.0#	N/A	3056	N/A	N/A	N/A	N/A	271	387	874		
30x84	SUEBA3084-WBB	<input type="checkbox"/>	<input type="checkbox"/>	<input type="checkbox"/>	<input type="checkbox"/>	<input type="checkbox"/>	<input type="checkbox"/>	<input type="checkbox"/>	<input type="checkbox"/>	<input type="checkbox"/>	216.0#	N/A	N/A	2870	N/A	N/A	N/A	271	387	874		
30x84	SUEBA3084-SST	<input type="checkbox"/>	<input type="checkbox"/>	<input type="checkbox"/>	<input type="checkbox"/>	<input type="checkbox"/>	<input type="checkbox"/>	<input type="checkbox"/>	<input type="checkbox"/>	<input type="checkbox"/>	219.0#	N/A	N/A	N/A	3857	N/A	N/A	271	387	874		

HOW TO ORDER

Indicate the following information on order form:

- Quantity of each item.
- Model number, including options. See "How to Build a Model Number".
- Any special service required.

Note:

- The indicates that a choice is required.
- The absence of the indicates that no choice is required.
- Alpha-numeric characters in place of indicate that no other alternatives are available.

HOW TO BUILD A MODEL NUMBER

A Select basic model.

B Select edge color.
Refer to the **Product Color Options** page in this price list.

C Select surface finish.
Refer to the **Product Color Options** page in this price list.

D Select pegboard end panel.
NPB - No pegboards
PB1 - Pegboards on one leg; add \$80
PB2 - Pegboards on both legs; add \$160

E Select frame color.
Refer to the **Product Color Options** page in this price list.

F Select footrest/shelf selection.
NFT - No footrest
SFT - Single footrest
DFT - Dual footrest

DFS - Dual footrest with shelf
See pricing column for footrest upcharge.

G Select casters/glides.
GNY - Nylon glides
CCC - Casters; add \$110

H Select module.
NNN - No power modules
MU1 - Qty (1) Dean under-surface module; add \$380
MU2 - Qty (2) Dean under-surface modules; add \$760

I Select module color.
Refer to the **Product Color Options** page in this price list.

J Select cord length.
9 - 9' cord length
15 - 15' cord length

K Select bag hook.
NB - No book bag hook
BH - Two book bag hooks; add \$35

L Select bag hook color.
Refer to the **Product Color Options** page in this price list.

SPECIAL SERVICES

Special Carton Marking
With specially marked information N/C

Shipping
Ships **knocked down, FOB Bonduel, WI 54107, freight prepaid.** Freight class 125.

Specifications and prices are subject to change without prior notice.

Stout™ Rectangle (Delivered)

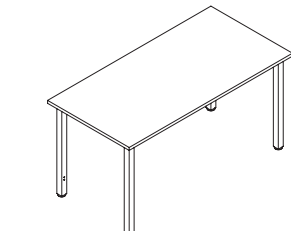
Fixed 36" Height



Stout™ Rectangle (Delivered)

Fixed 36" Height

A x B	MODEL NUMBER												Approx. Packaged Weight	1-1/4" Laminate Top with 74P Edge (74P)	1" Phenolic Resin Top (RNT)	1-3/4" Butcher Block Wood Top (WBB)	1-1/2" Stainless Steel Top (SST)	Laminate Grade 2 add to list price	Laminate Grade 3 add to list price	Single Footrest	Dual Footrest	Dual Footrest w/Shelf
	Basic Model	Edge Color	Surf. Finish	Peg-board	Frame Color	Foot-rest/Shelf	Caster/Glide	Module	Mod. Color	Cord Length	Bag Hook	Bag Hook Color										
36x48	SUEBA3648-74P	<input type="checkbox"/>	<input type="checkbox"/>	<input type="checkbox"/>	<input type="checkbox"/>	<input type="checkbox"/>	<input type="checkbox"/>	<input type="checkbox"/>	<input type="checkbox"/>	<input type="checkbox"/>	<input type="checkbox"/>	<input type="checkbox"/>	151.0#	\$ 1358	N/A	N/A	N/A	\$ 35	\$ 225	\$ 231	\$ 327	\$ 592
36x48	SUEBA3648-RNT		<input type="checkbox"/>	<input type="checkbox"/>	<input type="checkbox"/>	<input type="checkbox"/>	<input type="checkbox"/>	<input type="checkbox"/>	<input type="checkbox"/>	<input type="checkbox"/>	<input type="checkbox"/>	<input type="checkbox"/>	185.0#	N/A	2483	N/A	N/A	N/A	N/A	231	327	592
36x48	SUEBA3648-WBB		<input type="checkbox"/>	<input type="checkbox"/>	<input type="checkbox"/>	<input type="checkbox"/>	<input type="checkbox"/>	<input type="checkbox"/>	<input type="checkbox"/>	<input type="checkbox"/>	<input type="checkbox"/>	<input type="checkbox"/>	183.0#	N/A	N/A	2386	N/A	N/A	N/A	231	327	592
36x48	SUEBA3648-SST			<input type="checkbox"/>	<input type="checkbox"/>	<input type="checkbox"/>	<input type="checkbox"/>	<input type="checkbox"/>	<input type="checkbox"/>	<input type="checkbox"/>	<input type="checkbox"/>	<input type="checkbox"/>	185.0#	N/A	N/A	N/A	3047	N/A	N/A	231	327	592
36x60	SUEBA3660-74P	<input type="checkbox"/>	<input type="checkbox"/>	<input type="checkbox"/>	<input type="checkbox"/>	<input type="checkbox"/>	<input type="checkbox"/>	<input type="checkbox"/>	<input type="checkbox"/>	<input type="checkbox"/>	<input type="checkbox"/>	<input type="checkbox"/>	172.0#	1479	N/A	N/A	N/A	50	350	249	345	639
36x60	SUEBA3660-RNT		<input type="checkbox"/>	<input type="checkbox"/>	<input type="checkbox"/>	<input type="checkbox"/>	<input type="checkbox"/>	<input type="checkbox"/>	<input type="checkbox"/>	<input type="checkbox"/>	<input type="checkbox"/>	<input type="checkbox"/>	213.0#	N/A	2809	N/A	N/A	N/A	N/A	249	345	639
36x60	SUEBA3660-WBB		<input type="checkbox"/>	<input type="checkbox"/>	<input type="checkbox"/>	<input type="checkbox"/>	<input type="checkbox"/>	<input type="checkbox"/>	<input type="checkbox"/>	<input type="checkbox"/>	<input type="checkbox"/>	<input type="checkbox"/>	210.0#	N/A	N/A	2702	N/A	N/A	N/A	249	345	639
36x60	SUEBA3660-SST			<input type="checkbox"/>	<input type="checkbox"/>	<input type="checkbox"/>	<input type="checkbox"/>	<input type="checkbox"/>	<input type="checkbox"/>	<input type="checkbox"/>	<input type="checkbox"/>	<input type="checkbox"/>	213.0#	N/A	N/A	N/A	3348	N/A	N/A	249	345	639
36x72	SUEBA3672-74P	<input type="checkbox"/>	<input type="checkbox"/>	<input type="checkbox"/>	<input type="checkbox"/>	<input type="checkbox"/>	<input type="checkbox"/>	<input type="checkbox"/>	<input type="checkbox"/>	<input type="checkbox"/>	<input type="checkbox"/>	<input type="checkbox"/>	192.0#	1562	N/A	N/A	N/A	50	350	265	372	757
36x72	SUEBA3672-RNT		<input type="checkbox"/>	<input type="checkbox"/>	<input type="checkbox"/>	<input type="checkbox"/>	<input type="checkbox"/>	<input type="checkbox"/>	<input type="checkbox"/>	<input type="checkbox"/>	<input type="checkbox"/>	<input type="checkbox"/>	242.0#	N/A	3139	N/A	N/A	N/A	N/A	265	372	757
36x72	SUEBA3672-WBB		<input type="checkbox"/>	<input type="checkbox"/>	<input type="checkbox"/>	<input type="checkbox"/>	<input type="checkbox"/>	<input type="checkbox"/>	<input type="checkbox"/>	<input type="checkbox"/>	<input type="checkbox"/>	<input type="checkbox"/>	238.0#	N/A	N/A	3069	N/A	N/A	N/A	265	372	757
36x72	SUEBA3672-SST			<input type="checkbox"/>	<input type="checkbox"/>	<input type="checkbox"/>	<input type="checkbox"/>	<input type="checkbox"/>	<input type="checkbox"/>	<input type="checkbox"/>	<input type="checkbox"/>	<input type="checkbox"/>	242.0#	N/A	N/A	N/A	3652	N/A	N/A	265	372	757
36x84	SUEBA3684-74P	<input type="checkbox"/>	<input type="checkbox"/>	<input type="checkbox"/>	<input type="checkbox"/>	<input type="checkbox"/>	<input type="checkbox"/>	<input type="checkbox"/>	<input type="checkbox"/>	<input type="checkbox"/>	<input type="checkbox"/>	<input type="checkbox"/>	212.0#	1863	N/A	N/A	N/A	70	450	283	397	884
36x84	SUEBA3684-RNT		<input type="checkbox"/>	<input type="checkbox"/>	<input type="checkbox"/>	<input type="checkbox"/>	<input type="checkbox"/>	<input type="checkbox"/>	<input type="checkbox"/>	<input type="checkbox"/>	<input type="checkbox"/>	<input type="checkbox"/>	270.0#	N/A	3480	N/A	N/A	N/A	N/A	283	397	884
36x84	SUEBA3684-WBB		<input type="checkbox"/>	<input type="checkbox"/>	<input type="checkbox"/>	<input type="checkbox"/>	<input type="checkbox"/>	<input type="checkbox"/>	<input type="checkbox"/>	<input type="checkbox"/>	<input type="checkbox"/>	<input type="checkbox"/>	266.0#	N/A	N/A	3399	N/A	N/A	N/A	283	397	884
36x84	SUEBA3684-SST			<input type="checkbox"/>	<input type="checkbox"/>	<input type="checkbox"/>	<input type="checkbox"/>	<input type="checkbox"/>	<input type="checkbox"/>	<input type="checkbox"/>	<input type="checkbox"/>	<input type="checkbox"/>	270.0#	N/A	N/A	N/A	4016	N/A	N/A	283	397	884
42x48	SUEBA4248-74P	<input type="checkbox"/>	<input type="checkbox"/>	<input type="checkbox"/>	<input type="checkbox"/>	<input type="checkbox"/>	<input type="checkbox"/>	<input type="checkbox"/>	<input type="checkbox"/>	<input type="checkbox"/>	<input type="checkbox"/>	<input type="checkbox"/>	170.0#	\$ 1575	N/A	N/A	N/A	\$ 35	\$ 225	\$ 243	\$ 345	\$ 610
42x48	SUEBA4248-RNT		<input type="checkbox"/>	<input type="checkbox"/>	<input type="checkbox"/>	<input type="checkbox"/>	<input type="checkbox"/>	<input type="checkbox"/>	<input type="checkbox"/>	<input type="checkbox"/>	<input type="checkbox"/>	<input type="checkbox"/>	209.0#	N/A	2696	N/A	N/A	N/A	N/A	243	345	610
42x48	SUEBA4248-SST			<input type="checkbox"/>	<input type="checkbox"/>	<input type="checkbox"/>	<input type="checkbox"/>	<input type="checkbox"/>	<input type="checkbox"/>	<input type="checkbox"/>	<input type="checkbox"/>	<input type="checkbox"/>	209.0#	N/A	N/A	N/A	3098	N/A	N/A	243	345	610
42x48	SUEBA4248-WBB		<input type="checkbox"/>	<input type="checkbox"/>	<input type="checkbox"/>	<input type="checkbox"/>	<input type="checkbox"/>	<input type="checkbox"/>	<input type="checkbox"/>	<input type="checkbox"/>	<input type="checkbox"/>	<input type="checkbox"/>	207.0#	N/A	N/A	2665	N/A	N/A	N/A	243	345	610
42x60	SUEBA4260-74P	<input type="checkbox"/>	<input type="checkbox"/>	<input type="checkbox"/>	<input type="checkbox"/>	<input type="checkbox"/>	<input type="checkbox"/>	<input type="checkbox"/>	<input type="checkbox"/>	<input type="checkbox"/>	<input type="checkbox"/>	<input type="checkbox"/>	192.0#	1614	N/A	N/A	N/A	50	350	259	363	657
42x60	SUEBA4260-RNT		<input type="checkbox"/>	<input type="checkbox"/>	<input type="checkbox"/>	<input type="checkbox"/>	<input type="checkbox"/>	<input type="checkbox"/>	<input type="checkbox"/>	<input type="checkbox"/>	<input type="checkbox"/>	<input type="checkbox"/>	241.0#	N/A	3122	N/A	N/A	N/A	N/A	259	363	657
42x60	SUEBA4260-WBB		<input type="checkbox"/>	<input type="checkbox"/>	<input type="checkbox"/>	<input type="checkbox"/>	<input type="checkbox"/>	<input type="checkbox"/>	<input type="checkbox"/>	<input type="checkbox"/>	<input type="checkbox"/>	<input type="checkbox"/>	238.0#	N/A	N/A	2963	N/A	N/A	N/A	259	363	657
42x60	SUEBA4260-SST			<input type="checkbox"/>	<input type="checkbox"/>	<input type="checkbox"/>	<input type="checkbox"/>	<input type="checkbox"/>	<input type="checkbox"/>	<input type="checkbox"/>	<input type="checkbox"/>	<input type="checkbox"/>	241.0#	N/A	N/A	N/A	3522	N/A	N/A	259	363	657
42x72	SUEBA4272-74P	<input type="checkbox"/>	<input type="checkbox"/>	<input type="checkbox"/>	<input type="checkbox"/>	<input type="checkbox"/>	<input type="checkbox"/>	<input type="checkbox"/>	<input type="checkbox"/>	<input type="checkbox"/>	<input type="checkbox"/>	<input type="checkbox"/>	215.0#	1672	N/A	N/A	N/A	50	350	275	390	775
42x72	SUEBA4272-RNT		<input type="checkbox"/>	<input type="checkbox"/>	<input type="checkbox"/>	<input type="checkbox"/>	<input type="checkbox"/>	<input type="checkbox"/>	<input type="checkbox"/>	<input type="checkbox"/>	<input type="checkbox"/>	<input type="checkbox"/>	273.0#	N/A	3451	N/A	N/A	N/A	N/A	275	390	775
42x72	SUEBA4272-WBB		<input type="checkbox"/>	<input type="checkbox"/>	<input type="checkbox"/>	<input type="checkbox"/>	<input type="checkbox"/>	<input type="checkbox"/>	<input type="checkbox"/>	<input type="checkbox"/>	<input type="checkbox"/>	<input type="checkbox"/>	269.0#	N/A	N/A	3414	N/A	N/A	N/A	275	390	775
42x72	SUEBA4272-SST			<input type="checkbox"/>	<input type="checkbox"/>	<input type="checkbox"/>	<input type="checkbox"/>	<input type="checkbox"/>	<input type="checkbox"/>	<input type="checkbox"/>	<input type="checkbox"/>	<input type="checkbox"/>	273.0#	N/A	N/A	N/A	3840	N/A	N/A	275	390	775
42x84	SUEBA4284-74P	<input type="checkbox"/>	<input type="checkbox"/>	<input type="checkbox"/>	<input type="checkbox"/>	<input type="checkbox"/>	<input type="checkbox"/>	<input type="checkbox"/>	<input type="checkbox"/>	<input type="checkbox"/>	<input type="checkbox"/>	<input type="checkbox"/>	237.0#	1944	N/A	N/A	N/A	70	450	289	403	891
42x84	SUEBA4284-RNT		<input type="checkbox"/>	<input type="checkbox"/>	<input type="checkbox"/>	<input type="checkbox"/>	<input type="checkbox"/>	<input type="checkbox"/>	<input type="checkbox"/>	<input type="checkbox"/>	<input type="checkbox"/>	<input type="checkbox"/>	305.0#	N/A	3891	N/A	N/A	N/A	N/A	289	403	891
42x84	SUEBA4284-WBB		<input type="checkbox"/>	<input type="checkbox"/>	<input type="checkbox"/>	<input type="checkbox"/>	<input type="checkbox"/>	<input type="checkbox"/>	<input type="checkbox"/>	<input type="checkbox"/>	<input type="checkbox"/>	<input type="checkbox"/>	300.0#	N/A	N/A	3828	N/A	N/A	N/A	289	403	891
42x84	SUEBA4284-SST			<input type="checkbox"/>	<input type="checkbox"/>	<input type="checkbox"/>	<input type="checkbox"/>	<input type="checkbox"/>	<input type="checkbox"/>	<input type="checkbox"/>	<input type="checkbox"/>	<input type="checkbox"/>	305.0#	N/A	N/A	N/A	4414	N/A	N/A	289	403	891



SUEBA 36" Deep

- Field assembly required
- Vertical and horizontal wire management is included when power modules are specified
- Undersurface power modules install along any side of the table

SUEBA 42" Deep

- Field assembly required
- Vertical and horizontal wire management is included when power modules are specified
- Undersurface power modules install along any side of the table

A B C D E F G H I J K L

HOW TO ORDER

- Indicate the following information on order form:
- Quantity of each item.
 - Model number, including options. See "How To Build a Model Number".
 - Any special service required.

Note: • The indicates that a choice is required.
 • The absence of the indicates that no choice is required.
 • Alpha-numeric characters in place of indicate that no other alternatives are available.

HOW TO BUILD A MODEL NUMBER

- A** Select basic model.
- B** Select edge color. Refer to the **Product Color Options** page in this price list.
- C** Select surface finish. Refer to the **Product Color Options** page in this price list.
- D** Select pegboard end panel. **NPB** - No pegboards
PB1 - Pegboards on one leg; add \$80
PB2 - Pegboards on both legs; add \$160
- E** Select frame color. Refer to the **Product Color Options** page in this price list.
- F** Select footrest/shelf selection. **NFT** - No footrest
SFT - Single footrest
DFT - Dual footrest

- DFS** - Dual footrest with shelf. See pricing column for footrest upcharge.
- G** Select casters/glides. **GNY** - Nylon glides
CCC - Casters; add \$110
- H** Select module. **NNN** - No power modules
MU1 - Qty (1) Dean under-surface module; add \$380
MU2 - Qty (2) Dean under-surface modules; add \$760
- I** Select module color. Refer to the **Product Color Options** page in this price list.
- J** Select cord length. **9** - 9' cord length
15 - 15' cord length
- K** Select bag hook. **NB** - No book bag hook
BH - Four book bag hooks; add \$70

L Select bag hook color. Refer to the **Product Color Options** page in this price list.

SPECIAL SERVICES

Special Carton Marking
 With specially marked information N/C

Shipping
 Ships knocked down, FOB Bonduel, WI 54107, freight prepaid. Freight class 125.

Specifications and prices are subject to change without prior notice.

Stout™ Rectangle (Delivered)

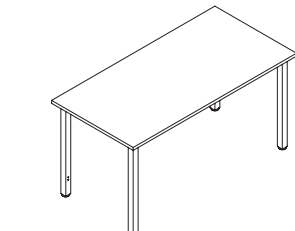
Fixed 36" Height



Stout™ Rectangle (Delivered)

Fixed 36" Height

A x B	MODEL NUMBER	Basic Model	Edge Color	Surf. Finish	Peg-board	Frame Color	Foot-rest/Shelf	Shelf Color	Caster/Glide	Mod-ule	Mod. Color	Cord Length	Bag Hook	Bag Hook Color	Approx. Packaged Weight	1-1/4" Laminate Top with 74P Edge (74P)	1" Phenolic Resin Top (RNT)	1-3/4" Butcher Block Wood Top (WBB)	1-1/2" Stainless Steel Top (SST)	Laminate Grade 2 add to list price	Laminate Grade 3 add to list price	Single Footrest	Dual Footrest	Dual Footrest w/Shelf
																				\$	\$	\$	\$	\$
48x48	SUEBA4848-74P	<input type="checkbox"/>	<input type="checkbox"/>	<input type="checkbox"/>	<input type="checkbox"/>	<input type="checkbox"/>	<input type="checkbox"/>	<input type="checkbox"/>	<input type="checkbox"/>	<input type="checkbox"/>	<input type="checkbox"/>	<input type="checkbox"/>	<input type="checkbox"/>	<input type="checkbox"/>	184.0#	\$ 1508	N/A	N/A	N/A	\$ 35	\$ 225	\$ 253	\$ 363	\$ 628
48x48	SUEBA4848-RNT	<input type="checkbox"/>	<input type="checkbox"/>	<input type="checkbox"/>	<input type="checkbox"/>	<input type="checkbox"/>	<input type="checkbox"/>	<input type="checkbox"/>	<input type="checkbox"/>	<input type="checkbox"/>	<input type="checkbox"/>	<input type="checkbox"/>	<input type="checkbox"/>	<input type="checkbox"/>	229.0#	N/A	2911	N/A	N/A	N/A	N/A	253	363	628
48x48	SUEBA4848-WBB	<input type="checkbox"/>	<input type="checkbox"/>	<input type="checkbox"/>	<input type="checkbox"/>	<input type="checkbox"/>	<input type="checkbox"/>	<input type="checkbox"/>	<input type="checkbox"/>	<input type="checkbox"/>	<input type="checkbox"/>	<input type="checkbox"/>	<input type="checkbox"/>	<input type="checkbox"/>	226.0#	N/A	N/A	2939	N/A	N/A	N/A	253	363	628
48x48	SUEBA4848-SST	<input type="checkbox"/>	<input type="checkbox"/>	<input type="checkbox"/>	<input type="checkbox"/>	<input type="checkbox"/>	<input type="checkbox"/>	<input type="checkbox"/>	<input type="checkbox"/>	<input type="checkbox"/>	<input type="checkbox"/>	<input type="checkbox"/>	<input type="checkbox"/>	<input type="checkbox"/>	91.0#	N/A	N/A	N/A	3349	N/A	N/A	253	363	628
48x60	SUEBA4860-74P	<input type="checkbox"/>	<input type="checkbox"/>	<input type="checkbox"/>	<input type="checkbox"/>	<input type="checkbox"/>	<input type="checkbox"/>	<input type="checkbox"/>	<input type="checkbox"/>	<input type="checkbox"/>	<input type="checkbox"/>	<input type="checkbox"/>	<input type="checkbox"/>	<input type="checkbox"/>	208.0#	1638	N/A	N/A	N/A	50	350	269	381	675
48x60	SUEBA4860-RNT	<input type="checkbox"/>	<input type="checkbox"/>	<input type="checkbox"/>	<input type="checkbox"/>	<input type="checkbox"/>	<input type="checkbox"/>	<input type="checkbox"/>	<input type="checkbox"/>	<input type="checkbox"/>	<input type="checkbox"/>	<input type="checkbox"/>	<input type="checkbox"/>	<input type="checkbox"/>	264.0#	N/A	3336	N/A	N/A	N/A	N/A	269	381	675
48x60	SUEBA4860-WBB	<input type="checkbox"/>	<input type="checkbox"/>	<input type="checkbox"/>	<input type="checkbox"/>	<input type="checkbox"/>	<input type="checkbox"/>	<input type="checkbox"/>	<input type="checkbox"/>	<input type="checkbox"/>	<input type="checkbox"/>	<input type="checkbox"/>	<input type="checkbox"/>	<input type="checkbox"/>	260.0#	N/A	N/A	3528	N/A	N/A	N/A	269	381	675
48x60	SUEBA4860-SST	<input type="checkbox"/>	<input type="checkbox"/>	<input type="checkbox"/>	<input type="checkbox"/>	<input type="checkbox"/>	<input type="checkbox"/>	<input type="checkbox"/>	<input type="checkbox"/>	<input type="checkbox"/>	<input type="checkbox"/>	<input type="checkbox"/>	<input type="checkbox"/>	<input type="checkbox"/>	91.0#	N/A	N/A	N/A	3696	N/A	N/A	269	381	675
48x72	SUEBA4872-74P	<input type="checkbox"/>	<input type="checkbox"/>	<input type="checkbox"/>	<input type="checkbox"/>	<input type="checkbox"/>	<input type="checkbox"/>	<input type="checkbox"/>	<input type="checkbox"/>	<input type="checkbox"/>	<input type="checkbox"/>	<input type="checkbox"/>	<input type="checkbox"/>	<input type="checkbox"/>	242.0#	1732	N/A	N/A	N/A	50	350	284	408	793
48x72	SUEBA4872-RNT	<input type="checkbox"/>	<input type="checkbox"/>	<input type="checkbox"/>	<input type="checkbox"/>	<input type="checkbox"/>	<input type="checkbox"/>	<input type="checkbox"/>	<input type="checkbox"/>	<input type="checkbox"/>	<input type="checkbox"/>	<input type="checkbox"/>	<input type="checkbox"/>	<input type="checkbox"/>	309.0#	N/A	3767	N/A	N/A	N/A	N/A	284	408	793
48x72	SUEBA4872-WBB	<input type="checkbox"/>	<input type="checkbox"/>	<input type="checkbox"/>	<input type="checkbox"/>	<input type="checkbox"/>	<input type="checkbox"/>	<input type="checkbox"/>	<input type="checkbox"/>	<input type="checkbox"/>	<input type="checkbox"/>	<input type="checkbox"/>	<input type="checkbox"/>	<input type="checkbox"/>	304.0#	N/A	N/A	4035	N/A	N/A	N/A	284	408	793
48x72	SUEBA4872-SST	<input type="checkbox"/>	<input type="checkbox"/>	<input type="checkbox"/>	<input type="checkbox"/>	<input type="checkbox"/>	<input type="checkbox"/>	<input type="checkbox"/>	<input type="checkbox"/>	<input type="checkbox"/>	<input type="checkbox"/>	<input type="checkbox"/>	<input type="checkbox"/>	<input type="checkbox"/>	91.0#	N/A	N/A	N/A	4032	N/A	N/A	284	408	793
48x84	SUEBA4884-74P	<input type="checkbox"/>	<input type="checkbox"/>	<input type="checkbox"/>	<input type="checkbox"/>	<input type="checkbox"/>	<input type="checkbox"/>	<input type="checkbox"/>	<input type="checkbox"/>	<input type="checkbox"/>	<input type="checkbox"/>	<input type="checkbox"/>	<input type="checkbox"/>	<input type="checkbox"/>	257.0#	2001	N/A	N/A	N/A	70	450	297	411	899
48x84	SUEBA4884-RNT	<input type="checkbox"/>	<input type="checkbox"/>	<input type="checkbox"/>	<input type="checkbox"/>	<input type="checkbox"/>	<input type="checkbox"/>	<input type="checkbox"/>	<input type="checkbox"/>	<input type="checkbox"/>	<input type="checkbox"/>	<input type="checkbox"/>	<input type="checkbox"/>	<input type="checkbox"/>	335.0#	N/A	4205	N/A	N/A	N/A	N/A	297	411	899
48x84	SUEBA4884-WBB	<input type="checkbox"/>	<input type="checkbox"/>	<input type="checkbox"/>	<input type="checkbox"/>	<input type="checkbox"/>	<input type="checkbox"/>	<input type="checkbox"/>	<input type="checkbox"/>	<input type="checkbox"/>	<input type="checkbox"/>	<input type="checkbox"/>	<input type="checkbox"/>	<input type="checkbox"/>	330.0#	N/A	N/A	4589	N/A	N/A	N/A	297	411	899
48x84	SUEBA4884-SST	<input type="checkbox"/>	<input type="checkbox"/>	<input type="checkbox"/>	<input type="checkbox"/>	<input type="checkbox"/>	<input type="checkbox"/>	<input type="checkbox"/>	<input type="checkbox"/>	<input type="checkbox"/>	<input type="checkbox"/>	<input type="checkbox"/>	<input type="checkbox"/>	<input type="checkbox"/>	91.0#	N/A	N/A	N/A	4936	N/A	N/A	297	411	899



- SUEBA
48" Deep
- Field assembly required
 - Vertical and horizontal wire management is included when power modules are specified
 - Undersurface power modules install along any side of the table

HOW TO ORDER

- Indicate the following information on order form:
1. Quantity of each item.
 2. Model number, including options. See "How To Build a Model Number".
 3. Any special service required.

Note: • The indicates that a choice is required.
• The absence of the indicates that no choice is required.
• Alpha-numeric characters in place of indicate that no other alternatives are available.

HOW TO BUILD A MODEL NUMBER

- A** Select basic model.
- B** Select edge color. Refer to the **Product Color Options** page in this price list.
- C** Select surface finish. Refer to the **Product Color Options** page in this price list.
- D** Select pegboard end panel.
NPB - No pegboards
PB1 - Pegboard on one leg; add \$80
PB2 - Pegboards on both legs; add \$160
- E** Select frame color. Refer to the **Product Color Options** page in this price list.
- F** Select footrest/shelf selection.
NFT - No footrest
SFT - Single footrest
DFT - Dual footrest

- DFS** - Dual footrest with shelf. See pricing column for footrest upcharge.
- G** Select shelf color. Refer to the **Product Color Options** page in this price list.
- H** Select casters/glides.
GNY - Nylon glides
CCC - Casters; add \$110
- I** Select module.
NNN - No power modules
MU1 - Qty (1) Dean under-surface module; add \$380
MU2 - Qty (2) Dean under-surface modules; add \$760
- J** Select module color. Refer to the **Product Color Options** page in this price list.
- K** Select cord length.
9 - 9' cord length
15 - 15' cord length

- L** Select bag hook.
NB - No book bag hook
BH - Four book bag hooks; add \$70
- M** Select bag hook color. Refer to the **Product Color Options** page in this price list.

SPECIAL SERVICES

Special Carton Marking
With specially marked information N/C

Shipping
Ships **knocked down, FOB Bonduel, WI 54107, freight prepaid.** Freight class 125.

Specifications and prices are subject to change without prior notice.

Stout™ Rectangle (Delivered)

Fixed 40" Height



Stout™ Rectangle (Delivered)

Fixed 40" Height

A x B	MODEL NUMBER												Approx. Packaged Weight	1-1/4" Laminate Top with 74P Edge (74P)	1" Phenolic Resin Top (RNT)	1-3/4" Butcher Block Wood Top (WBB)	1-1/2" Stainless Steel Top (SST)	Laminate Grade 2 add to list price	Laminate Grade 3 add to list price	Single Footrest	Dual Footrest	Dual Footrest w/Shelf
	Basic Model	Edge Color	Surf. Finish	Peg-board	Frame Color	Foot-rest/Shelf	Caster/Glide	Module	Mod. Color	Cord Length	Bag Hook	Bag Hook Color										
24x48	SUEKA2448-74P	<input type="checkbox"/> <input type="checkbox"/> <input type="checkbox"/>	<input type="checkbox"/> <input type="checkbox"/>	<input type="checkbox"/> <input type="checkbox"/>	<input type="checkbox"/> <input type="checkbox"/>	<input type="checkbox"/> <input type="checkbox"/> <input type="checkbox"/>	GNV	<input type="checkbox"/> <input type="checkbox"/>	<input type="checkbox"/> <input type="checkbox"/>	<input type="checkbox"/> <input type="checkbox"/>	<input type="checkbox"/> <input type="checkbox"/>	<input type="checkbox"/> <input type="checkbox"/>	111.0#	\$ 1066	N/A	N/A	N/A	\$ 18	\$ 115	\$ 212	N/A	N/A
24x48	SUEKA2448-RNT		<input type="checkbox"/> <input type="checkbox"/>	<input type="checkbox"/> <input type="checkbox"/>	<input type="checkbox"/> <input type="checkbox"/>	<input type="checkbox"/> <input type="checkbox"/> <input type="checkbox"/>	GNV	<input type="checkbox"/> <input type="checkbox"/>	<input type="checkbox"/> <input type="checkbox"/>	<input type="checkbox"/> <input type="checkbox"/>	<input type="checkbox"/> <input type="checkbox"/>	<input type="checkbox"/> <input type="checkbox"/>	133.0#	N/A	1984	N/A	N/A	N/A	N/A	212	N/A	N/A
24x48	SUEKA2448-WBB		<input type="checkbox"/> <input type="checkbox"/>	<input type="checkbox"/> <input type="checkbox"/>	<input type="checkbox"/> <input type="checkbox"/>	<input type="checkbox"/> <input type="checkbox"/> <input type="checkbox"/>	GNV	<input type="checkbox"/> <input type="checkbox"/>	<input type="checkbox"/> <input type="checkbox"/>	<input type="checkbox"/> <input type="checkbox"/>	<input type="checkbox"/> <input type="checkbox"/>	<input type="checkbox"/> <input type="checkbox"/>	132.0#	N/A	N/A	1866	N/A	N/A	N/A	212	N/A	N/A
24x48	SUEKA2448-SST			<input type="checkbox"/> <input type="checkbox"/>	<input type="checkbox"/> <input type="checkbox"/>	<input type="checkbox"/> <input type="checkbox"/> <input type="checkbox"/>	GNV	<input type="checkbox"/> <input type="checkbox"/>	<input type="checkbox"/> <input type="checkbox"/>	<input type="checkbox"/> <input type="checkbox"/>	<input type="checkbox"/> <input type="checkbox"/>	<input type="checkbox"/> <input type="checkbox"/>	133.0#	N/A	N/A	N/A	2606	N/A	N/A	212	N/A	N/A
24x60	SUEKA2460-74P	<input type="checkbox"/> <input type="checkbox"/> <input type="checkbox"/>	<input type="checkbox"/> <input type="checkbox"/>	<input type="checkbox"/> <input type="checkbox"/>	<input type="checkbox"/> <input type="checkbox"/>	<input type="checkbox"/> <input type="checkbox"/> <input type="checkbox"/>	GNV	<input type="checkbox"/> <input type="checkbox"/>	<input type="checkbox"/> <input type="checkbox"/>	<input type="checkbox"/> <input type="checkbox"/>	<input type="checkbox"/> <input type="checkbox"/>	<input type="checkbox"/> <input type="checkbox"/>	125.0#	1158	N/A	N/A	N/A	25	170	226	N/A	N/A
24x60	SUEKA2460-RNT		<input type="checkbox"/> <input type="checkbox"/>	<input type="checkbox"/> <input type="checkbox"/>	<input type="checkbox"/> <input type="checkbox"/>	<input type="checkbox"/> <input type="checkbox"/> <input type="checkbox"/>	GNV	<input type="checkbox"/> <input type="checkbox"/>	<input type="checkbox"/> <input type="checkbox"/>	<input type="checkbox"/> <input type="checkbox"/>	<input type="checkbox"/> <input type="checkbox"/>	<input type="checkbox"/> <input type="checkbox"/>	153.0#	N/A	2202	N/A	N/A	N/A	N/A	226	N/A	N/A
24x60	SUEKA2460-WBB		<input type="checkbox"/> <input type="checkbox"/>	<input type="checkbox"/> <input type="checkbox"/>	<input type="checkbox"/> <input type="checkbox"/>	<input type="checkbox"/> <input type="checkbox"/> <input type="checkbox"/>	GNV	<input type="checkbox"/> <input type="checkbox"/>	<input type="checkbox"/> <input type="checkbox"/>	<input type="checkbox"/> <input type="checkbox"/>	<input type="checkbox"/> <input type="checkbox"/>	<input type="checkbox"/> <input type="checkbox"/>	151.0#	N/A	N/A	2034	N/A	N/A	N/A	226	N/A	N/A
24x60	SUEKA2460-SST			<input type="checkbox"/> <input type="checkbox"/>	<input type="checkbox"/> <input type="checkbox"/>	<input type="checkbox"/> <input type="checkbox"/> <input type="checkbox"/>	GNV	<input type="checkbox"/> <input type="checkbox"/>	<input type="checkbox"/> <input type="checkbox"/>	<input type="checkbox"/> <input type="checkbox"/>	<input type="checkbox"/> <input type="checkbox"/>	<input type="checkbox"/> <input type="checkbox"/>	153.0#	N/A	N/A	N/A	2843	N/A	N/A	226	N/A	N/A
24x72	SUEKA2472-74P	<input type="checkbox"/> <input type="checkbox"/> <input type="checkbox"/>	<input type="checkbox"/> <input type="checkbox"/>	<input type="checkbox"/> <input type="checkbox"/>	<input type="checkbox"/> <input type="checkbox"/>	<input type="checkbox"/> <input type="checkbox"/> <input type="checkbox"/>	GNV	<input type="checkbox"/> <input type="checkbox"/>	<input type="checkbox"/> <input type="checkbox"/>	<input type="checkbox"/> <input type="checkbox"/>	<input type="checkbox"/> <input type="checkbox"/>	<input type="checkbox"/> <input type="checkbox"/>	139.0#	1233	N/A	N/A	N/A	25	170	242	N/A	N/A
24x72	SUEKA2472-RNT		<input type="checkbox"/> <input type="checkbox"/>	<input type="checkbox"/> <input type="checkbox"/>	<input type="checkbox"/> <input type="checkbox"/>	<input type="checkbox"/> <input type="checkbox"/> <input type="checkbox"/>	GNV	<input type="checkbox"/> <input type="checkbox"/>	<input type="checkbox"/> <input type="checkbox"/>	<input type="checkbox"/> <input type="checkbox"/>	<input type="checkbox"/> <input type="checkbox"/>	<input type="checkbox"/> <input type="checkbox"/>	172.0#	N/A	2424	N/A	N/A	N/A	N/A	242	N/A	N/A
24x72	SUEKA2472-WBB		<input type="checkbox"/> <input type="checkbox"/>	<input type="checkbox"/> <input type="checkbox"/>	<input type="checkbox"/> <input type="checkbox"/>	<input type="checkbox"/> <input type="checkbox"/> <input type="checkbox"/>	GNV	<input type="checkbox"/> <input type="checkbox"/>	<input type="checkbox"/> <input type="checkbox"/>	<input type="checkbox"/> <input type="checkbox"/>	<input type="checkbox"/> <input type="checkbox"/>	<input type="checkbox"/> <input type="checkbox"/>	170.0#	N/A	N/A	2260	N/A	N/A	N/A	242	N/A	N/A
24x72	SUEKA2472-SST			<input type="checkbox"/> <input type="checkbox"/>	<input type="checkbox"/> <input type="checkbox"/>	<input type="checkbox"/> <input type="checkbox"/> <input type="checkbox"/>	GNV	<input type="checkbox"/> <input type="checkbox"/>	<input type="checkbox"/> <input type="checkbox"/>	<input type="checkbox"/> <input type="checkbox"/>	<input type="checkbox"/> <input type="checkbox"/>	<input type="checkbox"/> <input type="checkbox"/>	172.0#	N/A	N/A	N/A	3112	N/A	N/A	242	N/A	N/A
<p>SUEKA 24" Deep</p> <ul style="list-style-type: none"> Field assembly required Vertical and horizontal wire management is included when power modules are specified Undersurface power modules install along any side of the table Casters cannot be used on 24" deep tables Dual footrests are not available on 24" deep tables 																						
30x48	SUEKA3048-74P	<input type="checkbox"/> <input type="checkbox"/> <input type="checkbox"/>	<input type="checkbox"/> <input type="checkbox"/>	<input type="checkbox"/> <input type="checkbox"/>	<input type="checkbox"/> <input type="checkbox"/>	<input type="checkbox"/> <input type="checkbox"/> <input type="checkbox"/>		<input type="checkbox"/> <input type="checkbox"/>	<input type="checkbox"/> <input type="checkbox"/>	<input type="checkbox"/> <input type="checkbox"/>	<input type="checkbox"/> <input type="checkbox"/>	<input type="checkbox"/> <input type="checkbox"/>	125.0#	\$ 1172	N/A	N/A	N/A	\$ 25	\$ 170	\$ 220	\$ 308	\$ 573
30x48	SUEKA3048-RNT		<input type="checkbox"/> <input type="checkbox"/>	<input type="checkbox"/> <input type="checkbox"/>	<input type="checkbox"/> <input type="checkbox"/>	<input type="checkbox"/> <input type="checkbox"/> <input type="checkbox"/>		<input type="checkbox"/> <input type="checkbox"/>	<input type="checkbox"/> <input type="checkbox"/>	<input type="checkbox"/> <input type="checkbox"/>	<input type="checkbox"/> <input type="checkbox"/>	<input type="checkbox"/> <input type="checkbox"/>	153.0#	N/A	2202	N/A	N/A	N/A	N/A	220	308	573
30x48	SUEKA3048-WBB		<input type="checkbox"/> <input type="checkbox"/>	<input type="checkbox"/> <input type="checkbox"/>	<input type="checkbox"/> <input type="checkbox"/>	<input type="checkbox"/> <input type="checkbox"/> <input type="checkbox"/>		<input type="checkbox"/> <input type="checkbox"/>	<input type="checkbox"/> <input type="checkbox"/>	<input type="checkbox"/> <input type="checkbox"/>	<input type="checkbox"/> <input type="checkbox"/>	<input type="checkbox"/> <input type="checkbox"/>	151.0#	N/A	N/A	2081	N/A	N/A	N/A	220	308	573
30x48	SUEKA3048-SST			<input type="checkbox"/> <input type="checkbox"/>	<input type="checkbox"/> <input type="checkbox"/>	<input type="checkbox"/> <input type="checkbox"/> <input type="checkbox"/>		<input type="checkbox"/> <input type="checkbox"/>	<input type="checkbox"/> <input type="checkbox"/>	<input type="checkbox"/> <input type="checkbox"/>	<input type="checkbox"/> <input type="checkbox"/>	<input type="checkbox"/> <input type="checkbox"/>	153.0#	N/A	N/A	N/A	2933	N/A	N/A	220	308	573
30x60	SUEKA3060-74P	<input type="checkbox"/> <input type="checkbox"/> <input type="checkbox"/>	<input type="checkbox"/> <input type="checkbox"/>	<input type="checkbox"/> <input type="checkbox"/>	<input type="checkbox"/> <input type="checkbox"/>	<input type="checkbox"/> <input type="checkbox"/> <input type="checkbox"/>		<input type="checkbox"/> <input type="checkbox"/>	<input type="checkbox"/> <input type="checkbox"/>	<input type="checkbox"/> <input type="checkbox"/>	<input type="checkbox"/> <input type="checkbox"/>	<input type="checkbox"/> <input type="checkbox"/>	142.0#	1251	N/A	N/A	N/A	25	170	242	335	629
30x60	SUEKA3060-RNT		<input type="checkbox"/> <input type="checkbox"/>	<input type="checkbox"/> <input type="checkbox"/>	<input type="checkbox"/> <input type="checkbox"/>	<input type="checkbox"/> <input type="checkbox"/> <input type="checkbox"/>		<input type="checkbox"/> <input type="checkbox"/>	<input type="checkbox"/> <input type="checkbox"/>	<input type="checkbox"/> <input type="checkbox"/>	<input type="checkbox"/> <input type="checkbox"/>	<input type="checkbox"/> <input type="checkbox"/>	176.0#	N/A	2519	N/A	N/A	N/A	N/A	242	335	629
30x60	SUEKA3060-WBB		<input type="checkbox"/> <input type="checkbox"/>	<input type="checkbox"/> <input type="checkbox"/>	<input type="checkbox"/> <input type="checkbox"/>	<input type="checkbox"/> <input type="checkbox"/> <input type="checkbox"/>		<input type="checkbox"/> <input type="checkbox"/>	<input type="checkbox"/> <input type="checkbox"/>	<input type="checkbox"/> <input type="checkbox"/>	<input type="checkbox"/> <input type="checkbox"/>	<input type="checkbox"/> <input type="checkbox"/>	174.0#	N/A	N/A	2301	N/A	N/A	N/A	242	335	629
30x60	SUEKA3060-SST			<input type="checkbox"/> <input type="checkbox"/>	<input type="checkbox"/> <input type="checkbox"/>	<input type="checkbox"/> <input type="checkbox"/> <input type="checkbox"/>		<input type="checkbox"/> <input type="checkbox"/>	<input type="checkbox"/> <input type="checkbox"/>	<input type="checkbox"/> <input type="checkbox"/>	<input type="checkbox"/> <input type="checkbox"/>	<input type="checkbox"/> <input type="checkbox"/>	176.0#	N/A	N/A	N/A	3209	N/A	N/A	242	335	629
30x72	SUEKA3072-74P	<input type="checkbox"/> <input type="checkbox"/> <input type="checkbox"/>	<input type="checkbox"/> <input type="checkbox"/>	<input type="checkbox"/> <input type="checkbox"/>	<input type="checkbox"/> <input type="checkbox"/>	<input type="checkbox"/> <input type="checkbox"/> <input type="checkbox"/>		<input type="checkbox"/> <input type="checkbox"/>	<input type="checkbox"/> <input type="checkbox"/>	<input type="checkbox"/> <input type="checkbox"/>	<input type="checkbox"/> <input type="checkbox"/>	<input type="checkbox"/> <input type="checkbox"/>	158.0#	1325	N/A	N/A	N/A	25	170	253	362	748
30x72	SUEKA3072-RNT		<input type="checkbox"/> <input type="checkbox"/>	<input type="checkbox"/> <input type="checkbox"/>	<input type="checkbox"/> <input type="checkbox"/>	<input type="checkbox"/> <input type="checkbox"/> <input type="checkbox"/>		<input type="checkbox"/> <input type="checkbox"/>	<input type="checkbox"/> <input type="checkbox"/>	<input type="checkbox"/> <input type="checkbox"/>	<input type="checkbox"/> <input type="checkbox"/>	<input type="checkbox"/> <input type="checkbox"/>	200.0#	N/A	2741	N/A	N/A	N/A	N/A	253	362	748
30x72	SUEKA3072-WBB		<input type="checkbox"/> <input type="checkbox"/>	<input type="checkbox"/> <input type="checkbox"/>	<input type="checkbox"/> <input type="checkbox"/>	<input type="checkbox"/> <input type="checkbox"/> <input type="checkbox"/>		<input type="checkbox"/> <input type="checkbox"/>	<input type="checkbox"/> <input type="checkbox"/>	<input type="checkbox"/> <input type="checkbox"/>	<input type="checkbox"/> <input type="checkbox"/>	<input type="checkbox"/> <input type="checkbox"/>	197.0#	N/A	N/A	2583	N/A	N/A	N/A	253	362	748
30x72	SUEKA3072-SST			<input type="checkbox"/> <input type="checkbox"/>	<input type="checkbox"/> <input type="checkbox"/>	<input type="checkbox"/> <input type="checkbox"/> <input type="checkbox"/>		<input type="checkbox"/> <input type="checkbox"/>	<input type="checkbox"/> <input type="checkbox"/>	<input type="checkbox"/> <input type="checkbox"/>	<input type="checkbox"/> <input type="checkbox"/>	<input type="checkbox"/> <input type="checkbox"/>	200.0#	N/A	N/A	N/A	3522	N/A	N/A	253	362	748
30x84	SUEKA3084-74P	<input type="checkbox"/> <input type="checkbox"/> <input type="checkbox"/>	<input type="checkbox"/> <input type="checkbox"/>	<input type="checkbox"/> <input type="checkbox"/>	<input type="checkbox"/> <input type="checkbox"/>	<input type="checkbox"/> <input type="checkbox"/> <input type="checkbox"/>		<input type="checkbox"/> <input type="checkbox"/>	<input type="checkbox"/> <input type="checkbox"/>	<input type="checkbox"/> <input type="checkbox"/>	<input type="checkbox"/> <input type="checkbox"/>	<input type="checkbox"/> <input type="checkbox"/>	174.0#	1617	N/A	N/A	N/A	50	350	271	387	874
30x84	SUEKA3084-RNT		<input type="checkbox"/> <input type="checkbox"/>	<input type="checkbox"/> <input type="checkbox"/>	<input type="checkbox"/> <input type="checkbox"/>	<input type="checkbox"/> <input type="checkbox"/> <input type="checkbox"/>		<input type="checkbox"/> <input type="checkbox"/>	<input type="checkbox"/> <input type="checkbox"/>	<input type="checkbox"/> <input type="checkbox"/>	<input type="checkbox"/> <input type="checkbox"/>	<input type="checkbox"/> <input type="checkbox"/>	223.0#	N/A	3068	N/A	N/A	N/A	N/A	271	387	874
30x84	SUEKA3084-WBB		<input type="checkbox"/> <input type="checkbox"/>	<input type="checkbox"/> <input type="checkbox"/>	<input type="checkbox"/> <input type="checkbox"/>	<input type="checkbox"/> <input type="checkbox"/> <input type="checkbox"/>		<input type="checkbox"/> <input type="checkbox"/>	<input type="checkbox"/> <input type="checkbox"/>	<input type="checkbox"/> <input type="checkbox"/>	<input type="checkbox"/> <input type="checkbox"/>	<input type="checkbox"/> <input type="checkbox"/>	219.0#	N/A	N/A	2882	N/A	N/A	N/A	271	387	874
30x84	SUEKA3084-SST			<input type="checkbox"/> <input type="checkbox"/>	<input type="checkbox"/> <input type="checkbox"/>	<input type="checkbox"/> <input type="checkbox"/> <input type="checkbox"/>		<input type="checkbox"/> <input type="checkbox"/>	<input type="checkbox"/> <input type="checkbox"/>	<input type="checkbox"/> <input type="checkbox"/>	<input type="checkbox"/> <input type="checkbox"/>	<input type="checkbox"/> <input type="checkbox"/>	223.0#	N/A	N/A	N/A	3869	N/A	N/A	271	387	874

A B C D E F G H I J K L

HOW TO ORDER

- Indicate the following information on order form:
- Quantity of each item.
 - Model number, including options. See "How to Build a Model Number".
 - Any special service required.

Note: • The indicates that a choice is required.
 • The absence of the indicates that no choice is required.
 • Alpha-numeric characters in place of indicate that no other alternatives are available.

HOW TO BUILD A MODEL NUMBER

- A** Select basic model.
- B** Select edge color. Refer to the **Product Color Options** page in this price list.
- C** Select surface finish. Refer to the **Product Color Options** page in this price list.
- D** Select pegboard end panel.
 - NPB** - No pegboards
 - PB1** - Pegboards on one leg; add \$80
 - PB2** - Pegboards on both legs; add \$160
- E** Select frame color. Refer to the **Product Color Options** page in this price list.
- F** Select footrest/shelf selection.
 - NFT** - No footrest
 - SFT** - Single footrest
 - DFT** - Dual footrest

- DFS** - Dual footrest with shelf. See pricing column for footrest upcharge.
- G** Select casters/glides.
 - GNV** - Nylon glides
 - CCC** - Casters; add \$110
- H** Select module.
 - NNN** - No power modules
 - MU1** - Qty (1) Dean under-surface module; add \$380
 - MU2** - Qty (2) Dean under-surface modules; add \$760
- I** Select module color. Refer to the **Product Color Options** page in this price list.
- J** Select cord length.
 - 9** - 9' cord length
 - 15** - 15' cord length
- K** Select bag hook.
 - NB** - No book bag hook
 - BH** - Two book bag hooks; add \$35

L Select bag hook color. Refer to the **Product Color Options** page in this price list.

SPECIAL SERVICES

Special Carton Marking
 With specially marked information N/C

Shipping
 Ships **knocked down, FOB Bonduel, WI 54107, freight prepaid.** Freight class 125.

Specifications and prices are subject to change without prior notice.

Stout™ Rectangle (Delivered)

Fixed 40" Height



Stout™ Rectangle (Delivered)

Fixed 40" Height

A x B	MODEL NUMBER												Approx. Packaged Weight	1-1/4" Laminate Top with 74P Edge (74P)	1" Phenolic Resin Top (RNT)	1-3/4" Butcher Block Wood Top (WBB)	1-1/2" Stainless Steel Top (SST)	Laminate Grade 2 add to list price	Laminate Grade 3 add to list price	Single Footrest	Dual Footrest	Dual Footrest w/Shelf
	Basic Model	Edge Color	Surf. Finish	Peg-board	Frame Color	Foot-rest/Shelf	Caster/Glide	Module	Mod. Color	Cord Length	Bag Hook	Bag Hook Color										
36x48	SUEKA3648-74P	<input type="checkbox"/>	<input type="checkbox"/>	<input type="checkbox"/>	<input type="checkbox"/>	<input type="checkbox"/>	<input type="checkbox"/>	<input type="checkbox"/>	<input type="checkbox"/>	<input type="checkbox"/>	<input type="checkbox"/>	<input type="checkbox"/>	155.0#	\$ 1372	N/A	N/A	N/A	\$ 35	\$ 225	\$ 231	\$ 327	\$ 592
36x48	SUEKA3648-RNT		<input type="checkbox"/>	<input type="checkbox"/>	<input type="checkbox"/>	<input type="checkbox"/>	<input type="checkbox"/>	<input type="checkbox"/>	<input type="checkbox"/>	<input type="checkbox"/>	<input type="checkbox"/>	<input type="checkbox"/>	188.0#	N/A	2495	N/A	N/A	N/A	N/A	231	327	592
36x48	SUEKA3648-WBB		<input type="checkbox"/>	<input type="checkbox"/>	<input type="checkbox"/>	<input type="checkbox"/>	<input type="checkbox"/>	<input type="checkbox"/>	<input type="checkbox"/>	<input type="checkbox"/>	<input type="checkbox"/>	<input type="checkbox"/>	186.0#	N/A	N/A	2399	N/A	N/A	N/A	231	327	592
36x48	SUEKA3648-SST			<input type="checkbox"/>	<input type="checkbox"/>	<input type="checkbox"/>	<input type="checkbox"/>	<input type="checkbox"/>	<input type="checkbox"/>	<input type="checkbox"/>	<input type="checkbox"/>	<input type="checkbox"/>	188.0#	N/A	N/A	N/A	3060	N/A	N/A	231	327	592
36x60	SUEKA3660-74P	<input type="checkbox"/>	<input type="checkbox"/>	<input type="checkbox"/>	<input type="checkbox"/>	<input type="checkbox"/>	<input type="checkbox"/>	<input type="checkbox"/>	<input type="checkbox"/>	<input type="checkbox"/>	<input type="checkbox"/>	<input type="checkbox"/>	175.0#	1493	N/A	N/A	N/A	50	350	249	345	639
36x60	SUEKA3660-RNT		<input type="checkbox"/>	<input type="checkbox"/>	<input type="checkbox"/>	<input type="checkbox"/>	<input type="checkbox"/>	<input type="checkbox"/>	<input type="checkbox"/>	<input type="checkbox"/>	<input type="checkbox"/>	<input type="checkbox"/>	217.0#	N/A	2822	N/A	N/A	N/A	N/A	249	345	639
36x60	SUEKA3660-WBB		<input type="checkbox"/>	<input type="checkbox"/>	<input type="checkbox"/>	<input type="checkbox"/>	<input type="checkbox"/>	<input type="checkbox"/>	<input type="checkbox"/>	<input type="checkbox"/>	<input type="checkbox"/>	<input type="checkbox"/>	214.0#	N/A	N/A	2715	N/A	N/A	N/A	249	345	639
36x60	SUEKA3660-SST			<input type="checkbox"/>	<input type="checkbox"/>	<input type="checkbox"/>	<input type="checkbox"/>	<input type="checkbox"/>	<input type="checkbox"/>	<input type="checkbox"/>	<input type="checkbox"/>	<input type="checkbox"/>	217.0#	N/A	N/A	N/A	3361	N/A	N/A	249	345	639
36x72	SUEKA3672-74P	<input type="checkbox"/>	<input type="checkbox"/>	<input type="checkbox"/>	<input type="checkbox"/>	<input type="checkbox"/>	<input type="checkbox"/>	<input type="checkbox"/>	<input type="checkbox"/>	<input type="checkbox"/>	<input type="checkbox"/>	<input type="checkbox"/>	195.0#	1576	N/A	N/A	N/A	50	350	265	372	757
36x72	SUEKA3672-RNT		<input type="checkbox"/>	<input type="checkbox"/>	<input type="checkbox"/>	<input type="checkbox"/>	<input type="checkbox"/>	<input type="checkbox"/>	<input type="checkbox"/>	<input type="checkbox"/>	<input type="checkbox"/>	<input type="checkbox"/>	245.0#	N/A	3151	N/A	N/A	N/A	N/A	265	372	757
36x72	SUEKA3672-WBB		<input type="checkbox"/>	<input type="checkbox"/>	<input type="checkbox"/>	<input type="checkbox"/>	<input type="checkbox"/>	<input type="checkbox"/>	<input type="checkbox"/>	<input type="checkbox"/>	<input type="checkbox"/>	<input type="checkbox"/>	242.0#	N/A	N/A	3081	N/A	N/A	N/A	265	372	757
36x72	SUEKA3672-SST			<input type="checkbox"/>	<input type="checkbox"/>	<input type="checkbox"/>	<input type="checkbox"/>	<input type="checkbox"/>	<input type="checkbox"/>	<input type="checkbox"/>	<input type="checkbox"/>	<input type="checkbox"/>	245.0#	N/A	N/A	N/A	3665	N/A	N/A	265	372	757
36x84	SUEKA3684-74P	<input type="checkbox"/>	<input type="checkbox"/>	<input type="checkbox"/>	<input type="checkbox"/>	<input type="checkbox"/>	<input type="checkbox"/>	<input type="checkbox"/>	<input type="checkbox"/>	<input type="checkbox"/>	<input type="checkbox"/>	<input type="checkbox"/>	215.0#	1878	N/A	N/A	N/A	70	450	283	397	884
36x84	SUEKA3684-RNT		<input type="checkbox"/>	<input type="checkbox"/>	<input type="checkbox"/>	<input type="checkbox"/>	<input type="checkbox"/>	<input type="checkbox"/>	<input type="checkbox"/>	<input type="checkbox"/>	<input type="checkbox"/>	<input type="checkbox"/>	273.0#	N/A	3492	N/A	N/A	N/A	N/A	283	397	884
36x84	SUEKA3684-WBB		<input type="checkbox"/>	<input type="checkbox"/>	<input type="checkbox"/>	<input type="checkbox"/>	<input type="checkbox"/>	<input type="checkbox"/>	<input type="checkbox"/>	<input type="checkbox"/>	<input type="checkbox"/>	<input type="checkbox"/>	269.0#	N/A	N/A	3412	N/A	N/A	N/A	283	397	884
36x84	SUEKA3684-SST			<input type="checkbox"/>	<input type="checkbox"/>	<input type="checkbox"/>	<input type="checkbox"/>	<input type="checkbox"/>	<input type="checkbox"/>	<input type="checkbox"/>	<input type="checkbox"/>	<input type="checkbox"/>	273.0#	N/A	N/A	N/A	4029	N/A	N/A	283	397	884
42x48	SUEKA4248-74P	<input type="checkbox"/>	<input type="checkbox"/>	<input type="checkbox"/>	<input type="checkbox"/>	<input type="checkbox"/>	<input type="checkbox"/>	<input type="checkbox"/>	<input type="checkbox"/>	<input type="checkbox"/>	<input type="checkbox"/>	<input type="checkbox"/>	173.0#	\$ 1590	N/A	N/A	N/A	\$ 35	\$ 225	\$ 243	\$ 345	\$ 610
42x48	SUEKA4248-RNT		<input type="checkbox"/>	<input type="checkbox"/>	<input type="checkbox"/>	<input type="checkbox"/>	<input type="checkbox"/>	<input type="checkbox"/>	<input type="checkbox"/>	<input type="checkbox"/>	<input type="checkbox"/>	<input type="checkbox"/>	212.0#	N/A	2709	N/A	N/A	N/A	N/A	243	345	610
42x48	SUEKA4248-WBB		<input type="checkbox"/>	<input type="checkbox"/>	<input type="checkbox"/>	<input type="checkbox"/>	<input type="checkbox"/>	<input type="checkbox"/>	<input type="checkbox"/>	<input type="checkbox"/>	<input type="checkbox"/>	<input type="checkbox"/>	210.0#	N/A	N/A	2677	N/A	N/A	N/A	243	345	610
42x48	SUEKA4248-SST			<input type="checkbox"/>	<input type="checkbox"/>	<input type="checkbox"/>	<input type="checkbox"/>	<input type="checkbox"/>	<input type="checkbox"/>	<input type="checkbox"/>	<input type="checkbox"/>	<input type="checkbox"/>	212.0#	N/A	N/A	N/A	3111	N/A	N/A	243	345	610
42x60	SUEKA4260-74P	<input type="checkbox"/>	<input type="checkbox"/>	<input type="checkbox"/>	<input type="checkbox"/>	<input type="checkbox"/>	<input type="checkbox"/>	<input type="checkbox"/>	<input type="checkbox"/>	<input type="checkbox"/>	<input type="checkbox"/>	<input type="checkbox"/>	196.0#	1628	N/A	N/A	N/A	50	350	259	363	657
42x60	SUEKA4260-RNT		<input type="checkbox"/>	<input type="checkbox"/>	<input type="checkbox"/>	<input type="checkbox"/>	<input type="checkbox"/>	<input type="checkbox"/>	<input type="checkbox"/>	<input type="checkbox"/>	<input type="checkbox"/>	<input type="checkbox"/>	245.0#	N/A	3134	N/A	N/A	N/A	N/A	259	363	657
42x60	SUEKA4260-WBB		<input type="checkbox"/>	<input type="checkbox"/>	<input type="checkbox"/>	<input type="checkbox"/>	<input type="checkbox"/>	<input type="checkbox"/>	<input type="checkbox"/>	<input type="checkbox"/>	<input type="checkbox"/>	<input type="checkbox"/>	241.0#	N/A	N/A	2976	N/A	N/A	N/A	259	363	657
42x60	SUEKA4260-SST			<input type="checkbox"/>	<input type="checkbox"/>	<input type="checkbox"/>	<input type="checkbox"/>	<input type="checkbox"/>	<input type="checkbox"/>	<input type="checkbox"/>	<input type="checkbox"/>	<input type="checkbox"/>	245.0#	N/A	N/A	N/A	3535	N/A	N/A	259	363	657
42x72	SUEKA4272-74P	<input type="checkbox"/>	<input type="checkbox"/>	<input type="checkbox"/>	<input type="checkbox"/>	<input type="checkbox"/>	<input type="checkbox"/>	<input type="checkbox"/>	<input type="checkbox"/>	<input type="checkbox"/>	<input type="checkbox"/>	<input type="checkbox"/>	218.0#	1686	N/A	N/A	N/A	50	350	275	390	775
42x72	SUEKA4272-RNT		<input type="checkbox"/>	<input type="checkbox"/>	<input type="checkbox"/>	<input type="checkbox"/>	<input type="checkbox"/>	<input type="checkbox"/>	<input type="checkbox"/>	<input type="checkbox"/>	<input type="checkbox"/>	<input type="checkbox"/>	276.0#	N/A	3464	N/A	N/A	N/A	N/A	275	390	775
42x72	SUEKA4272-WBB		<input type="checkbox"/>	<input type="checkbox"/>	<input type="checkbox"/>	<input type="checkbox"/>	<input type="checkbox"/>	<input type="checkbox"/>	<input type="checkbox"/>	<input type="checkbox"/>	<input type="checkbox"/>	<input type="checkbox"/>	272.0#	N/A	N/A	3426	N/A	N/A	N/A	275	390	775
42x72	SUEKA4272-SST			<input type="checkbox"/>	<input type="checkbox"/>	<input type="checkbox"/>	<input type="checkbox"/>	<input type="checkbox"/>	<input type="checkbox"/>	<input type="checkbox"/>	<input type="checkbox"/>	<input type="checkbox"/>	276.0#	N/A	N/A	N/A	3853	N/A	N/A	275	390	775
42x84	SUEKA4284-74P	<input type="checkbox"/>	<input type="checkbox"/>	<input type="checkbox"/>	<input type="checkbox"/>	<input type="checkbox"/>	<input type="checkbox"/>	<input type="checkbox"/>	<input type="checkbox"/>	<input type="checkbox"/>	<input type="checkbox"/>	<input type="checkbox"/>	240.0#	1958	N/A	N/A	N/A	70	450	289	403	891
42x84	SUEKA4284-RNT		<input type="checkbox"/>	<input type="checkbox"/>	<input type="checkbox"/>	<input type="checkbox"/>	<input type="checkbox"/>	<input type="checkbox"/>	<input type="checkbox"/>	<input type="checkbox"/>	<input type="checkbox"/>	<input type="checkbox"/>	308.0#	N/A	3904	N/A	N/A	N/A	N/A	289	403	891
42x84	SUEKA4284-WBB		<input type="checkbox"/>	<input type="checkbox"/>	<input type="checkbox"/>	<input type="checkbox"/>	<input type="checkbox"/>	<input type="checkbox"/>	<input type="checkbox"/>	<input type="checkbox"/>	<input type="checkbox"/>	<input type="checkbox"/>	304.0#	N/A	N/A	3841	N/A	N/A	N/A	289	403	891
42x84	SUEKA4284-SST			<input type="checkbox"/>	<input type="checkbox"/>	<input type="checkbox"/>	<input type="checkbox"/>	<input type="checkbox"/>	<input type="checkbox"/>	<input type="checkbox"/>	<input type="checkbox"/>	<input type="checkbox"/>	308.0#	N/A	N/A	N/A	4426	N/A	N/A	289	403	891

A **B** **C** **D** **E** **F** **G** **H** **I** **J** **K** **L**

HOW TO ORDER

- Indicate the following information on order form:
- Quantity of each item.
 - Model number, including options. See "How To Build a Model Number".
 - Any special service required.

Note: • The indicates that a choice is required.
 • The absence of the indicates that no choice is required.
 • Alpha-numeric characters in place of indicate that no other alternatives are available.

HOW TO BUILD A MODEL NUMBER

- A** Select basic model.
- B** Select edge color. Refer to the **Product Color Options** page in this price list.
- C** Select surface finish. Refer to the **Product Color Options** page in this price list.
- D** Select pegboard end panel.
 - NPB** - No pegboards
 - PB1** - Pegboard on one leg; add \$80
 - PB2** - Pegboards on both legs; add \$160
- E** Select frame color. Refer to the **Product Color Options** page in this price list.
- F** Select footrest/shelf selection.
 - NFT** - No footrest
 - SFT** - Single footrest
 - DFT** - Dual footrest

- DFS** - Dual footrest with shelf. See pricing column for footrest upcharge.
- G** Select casters/glides.
 - GNY** - Nylon glides
 - CCC** - Casters; add \$110
- H** Select module.
 - NNN** - No power modules
 - MU1** - Qty (1) Dean under-surface module; add \$380
 - MU2** - Qty (2) Dean under-surface modules; add \$760
- I** Select module color. Refer to the **Product Color Options** page in this price list.
- J** Select cord length.
 - 9** - 9' cord length
 - 15** - 15' cord length
- K** Select bag hook.
 - NB** - No book bag hook
 - BH** - Four book bag hooks; add \$70

L Select bag hook color. Refer to the **Product Color Options** page in this price list.

SPECIAL SERVICES

Special Carton Marking

With specially marked information N/C

Shipping

Ships **knocked down, FOB Bonduel, WI 54107, freight prepaid.** Freight class 125.

Specifications and prices are subject to change without prior notice.

Stout™ Rectangle (Delivered)

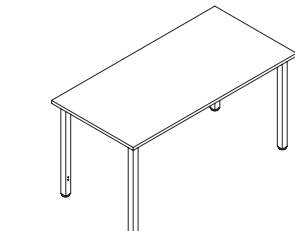
Fixed 40" Height



Stout™ Rectangle (Delivered)

Fixed 40" Height

A x B	MODEL NUMBER													Approx. Packaged Weight	1-1/4" Laminate Top with 74P Edge (74P)	1" Phenolic Resin Top (RNT)	1-3/4" Butcher Block Wood Top (WBB)	1-1/2" Stainless Steel Top (SST)	Laminate Grade 2 add to list price	Laminate Grade 3 add to list price	Single Footrest	Dual Footrest	Dual Footrest w/Shelf
	Basic Model	Edge Color	Surf. Finish	Peg-board	Frame Color	Foot-rest/Shelf	Shelf Color	Caster/Glide	Mod-ule	Mod. Color	Cord Length	Bag Hook	Bag Hook Color										
48x48	SUEKA4848-74P	<input type="checkbox"/>	<input type="checkbox"/>	<input type="checkbox"/>	<input type="checkbox"/>	<input type="checkbox"/>	<input type="checkbox"/>	<input type="checkbox"/>	<input type="checkbox"/>	<input type="checkbox"/>	<input type="checkbox"/>	<input type="checkbox"/>	<input type="checkbox"/>	187.0#	\$ 1522	N/A	N/A	N/A	\$ 35	\$ 225	\$ 253	\$ 363	\$ 628
48x48	SUEKA4848-RNT		<input type="checkbox"/>	<input type="checkbox"/>	<input type="checkbox"/>	<input type="checkbox"/>	<input type="checkbox"/>	<input type="checkbox"/>	<input type="checkbox"/>	<input type="checkbox"/>	<input type="checkbox"/>	<input type="checkbox"/>	<input type="checkbox"/>	232.0#	N/A	2923	N/A	N/A	N/A	N/A	253	363	628
48x48	SUEKA4848-WBB		<input type="checkbox"/>	<input type="checkbox"/>	<input type="checkbox"/>	<input type="checkbox"/>	<input type="checkbox"/>	<input type="checkbox"/>	<input type="checkbox"/>	<input type="checkbox"/>	<input type="checkbox"/>	<input type="checkbox"/>	<input type="checkbox"/>	229.0#	N/A	N/A	2951	N/A	N/A	253	363	628	
48x48	SUEKA4848-SST			<input type="checkbox"/>	<input type="checkbox"/>	<input type="checkbox"/>	<input type="checkbox"/>	<input type="checkbox"/>	<input type="checkbox"/>	<input type="checkbox"/>	<input type="checkbox"/>	<input type="checkbox"/>	<input type="checkbox"/>	232.0#	N/A	N/A	N/A	3362	N/A	N/A	253	363	628
48x60	SUEKA4860-74P	<input type="checkbox"/>	<input type="checkbox"/>	<input type="checkbox"/>	<input type="checkbox"/>	<input type="checkbox"/>	<input type="checkbox"/>	<input type="checkbox"/>	<input type="checkbox"/>	<input type="checkbox"/>	<input type="checkbox"/>	<input type="checkbox"/>	<input type="checkbox"/>	212.0#	1652	N/A	N/A	N/A	50	350	269	381	675
48x60	SUEKA4860-RNT		<input type="checkbox"/>	<input type="checkbox"/>	<input type="checkbox"/>	<input type="checkbox"/>	<input type="checkbox"/>	<input type="checkbox"/>	<input type="checkbox"/>	<input type="checkbox"/>	<input type="checkbox"/>	<input type="checkbox"/>	<input type="checkbox"/>	267.0#	N/A	3349	N/A	N/A	N/A	N/A	269	381	675
48x60	SUEKA4860-WBB		<input type="checkbox"/>	<input type="checkbox"/>	<input type="checkbox"/>	<input type="checkbox"/>	<input type="checkbox"/>	<input type="checkbox"/>	<input type="checkbox"/>	<input type="checkbox"/>	<input type="checkbox"/>	<input type="checkbox"/>	<input type="checkbox"/>	264.0#	N/A	N/A	3541	N/A	N/A	269	381	675	
48x60	SUEKA4860-SST			<input type="checkbox"/>	<input type="checkbox"/>	<input type="checkbox"/>	<input type="checkbox"/>	<input type="checkbox"/>	<input type="checkbox"/>	<input type="checkbox"/>	<input type="checkbox"/>	<input type="checkbox"/>	<input type="checkbox"/>	267.0#	N/A	N/A	N/A	3708	N/A	N/A	269	381	675
48x72	SUEKA4872-74P	<input type="checkbox"/>	<input type="checkbox"/>	<input type="checkbox"/>	<input type="checkbox"/>	<input type="checkbox"/>	<input type="checkbox"/>	<input type="checkbox"/>	<input type="checkbox"/>	<input type="checkbox"/>	<input type="checkbox"/>	<input type="checkbox"/>	<input type="checkbox"/>	236.0#	1746	N/A	N/A	N/A	50	350	284	408	793
48x72	SUEKA4872-RNT		<input type="checkbox"/>	<input type="checkbox"/>	<input type="checkbox"/>	<input type="checkbox"/>	<input type="checkbox"/>	<input type="checkbox"/>	<input type="checkbox"/>	<input type="checkbox"/>	<input type="checkbox"/>	<input type="checkbox"/>	<input type="checkbox"/>	303.0#	N/A	3779	N/A	N/A	N/A	N/A	284	408	793
48x72	SUEKA4872-WBB		<input type="checkbox"/>	<input type="checkbox"/>	<input type="checkbox"/>	<input type="checkbox"/>	<input type="checkbox"/>	<input type="checkbox"/>	<input type="checkbox"/>	<input type="checkbox"/>	<input type="checkbox"/>	<input type="checkbox"/>	<input type="checkbox"/>	298.0#	N/A	N/A	4047	N/A	N/A	284	408	793	
48x72	SUEKA4872-SST			<input type="checkbox"/>	<input type="checkbox"/>	<input type="checkbox"/>	<input type="checkbox"/>	<input type="checkbox"/>	<input type="checkbox"/>	<input type="checkbox"/>	<input type="checkbox"/>	<input type="checkbox"/>	<input type="checkbox"/>	303.0#	N/A	N/A	N/A	4045	N/A	N/A	284	408	793
48x84	SUEKA4884-74P	<input type="checkbox"/>	<input type="checkbox"/>	<input type="checkbox"/>	<input type="checkbox"/>	<input type="checkbox"/>	<input type="checkbox"/>	<input type="checkbox"/>	<input type="checkbox"/>	<input type="checkbox"/>	<input type="checkbox"/>	<input type="checkbox"/>	<input type="checkbox"/>	260.0#	2016	N/A	N/A	N/A	70	450	297	411	899
48x84	SUEKA4884-RNT		<input type="checkbox"/>	<input type="checkbox"/>	<input type="checkbox"/>	<input type="checkbox"/>	<input type="checkbox"/>	<input type="checkbox"/>	<input type="checkbox"/>	<input type="checkbox"/>	<input type="checkbox"/>	<input type="checkbox"/>	<input type="checkbox"/>	338.0#	N/A	4217	N/A	N/A	N/A	N/A	297	411	899
48x84	SUEKA4884-WBB		<input type="checkbox"/>	<input type="checkbox"/>	<input type="checkbox"/>	<input type="checkbox"/>	<input type="checkbox"/>	<input type="checkbox"/>	<input type="checkbox"/>	<input type="checkbox"/>	<input type="checkbox"/>	<input type="checkbox"/>	<input type="checkbox"/>	333.0#	N/A	N/A	4601	N/A	N/A	297	411	899	
48x84	SUEKA4884-SST			<input type="checkbox"/>	<input type="checkbox"/>	<input type="checkbox"/>	<input type="checkbox"/>	<input type="checkbox"/>	<input type="checkbox"/>	<input type="checkbox"/>	<input type="checkbox"/>	<input type="checkbox"/>	<input type="checkbox"/>	338.0#	N/A	N/A	N/A	4949	N/A	N/A	297	411	899



- SUEKA
48" Deep
- Field assembly required
 - Vertical and horizontal wire management is included when power modules are specified
 - Undersurface power modules install along any side of the table

HOW TO ORDER

- Indicate the following information on order form:
1. Quantity of each item.
 2. Model number, including options. See "How To Build a Model Number".
 3. Any special service required.

Note: • The indicates that a choice is required.
• The absence of the indicates that no choice is required.
• Alpha-numeric characters in place of indicate that no other alternatives are available.

HOW TO BUILD A MODEL NUMBER

- A** Select basic model.
- B** Select edge color. Refer to the **Product Color Options** page in this price list.
- C** Select surface finish. Refer to the **Product Color Options** page in this price list.
- D** Select pegboard end panel.
 - NPB** - No pegboards
 - PB1** - Pegboard on one leg; add \$80
 - PB2** - Pegboards on both legs; add \$160
- E** Select frame color. Refer to the **Product Color Options** page in this price list.
- F** Select footrest/shelf selection.
 - NFT** - No footrest
 - SFT** - Single footrest
 - DFT** - Dual footrest

- DFS** - Dual footrest with shelf. See pricing column for footrest upcharge.
- G** Select shelf color. Refer to the **Product Color Options** page in this price list.
- H** Select casters/glides.
 - GNY** - Nylon glides
 - CCC** - Casters; add \$110
- I** Select module.
 - NNN** - No power modules
 - MU1** - Qty (1) Dean under-surface module; add \$380
 - MU2** - Qty (2) Dean under-surface modules; add \$760
- J** Select module color. Refer to the **Product Color Options** page in this price list.
- K** Select cord length.
 - 9** - 9' cord length
 - 15** - 15' cord length

- L** Select bag hook.
 - NB** - No book bag hook
 - BH** - Four book bag hooks; add \$70
- M** Select bag hook color. Refer to the **Product Color Options** page in this price list.

SPECIAL SERVICES

Special Carton Marking
With specially marked information N/C

Shipping
Ships **knocked down**, FOB **Bonduel, WI 54107**, freight **prepaid**. Freight class 125.

Specifications and prices are subject to change without prior notice.

Stout™ Rectangle (Delivered)

Adjustable 27-40" Height



Stout™ Rectangle (Delivered)

Adjustable 27-40" Height

A x B	MODEL NUMBER												Approx. Packaged Weight	1-1/4" Laminate Top with 74P Edge (74P)	1" Phenolic Resin Top (RNT)	1-3/4" Butcher Block Wood Top (WBB)	1-1/2" Stainless Steel Top (SST)	Laminate Grade 2 add to list price	Laminate Grade 3 add to list price	Single Footrest	Dual Footrest	Dual Footrest w/Shelf
	Basic Model	Edge Color	Surf. Finish	Peg-board	Frame Color	Foot-rest/Shelf	Caster/Glide	Module	Mod. Color	Cord Length	Bag Hook	Bag Hook Color										
24x48	SUEFA2448-74P	□□□	□□	□□	□□	□□□	GNV	□□	□□	□□	□□	□□	114.0#	\$ 1302	N/A	N/A	N/A	\$ 18	\$ 115	\$ 212	N/A	N/A
24x48	SUEFA2448-RNT		□□	□□	□□	□□□	GNV	□□	□□	□□	□□	□□	136.0#	N/A	2203	N/A	N/A	N/A	N/A	212	N/A	N/A
24x48	SUEFA2448-WBB		□□	□□	□□	□□□	GNV	□□	□□	□□	□□	□□	134.0#	N/A	N/A	2082	N/A	N/A	N/A	212	N/A	N/A
24x48	SUEFA2448-SST				□□	□□□	GNV	□□	□□	□□	□□	□□	136.0#	N/A	N/A	N/A	2828	N/A	N/A	212	N/A	N/A
24x60	SUEFA2460-74P	□□□	□□	□□	□□	□□□	GNV	□□	□□	□□	□□	□□	128.0#	1393	N/A	N/A	N/A	25	170	226	N/A	N/A
24x60	SUEFA2460-RNT		□□	□□	□□	□□□	GNV	□□	□□	□□	□□	□□	155.0#	N/A	2421	N/A	N/A	N/A	N/A	226	N/A	N/A
24x60	SUEFA2460-WBB		□□	□□	□□	□□□	GNV	□□	□□	□□	□□	□□	154.0#	N/A	N/A	2249	N/A	N/A	N/A	226	N/A	N/A
24x60	SUEFA2460-SST				□□	□□□	GNV	□□	□□	□□	□□	□□	155.0#	N/A	N/A	N/A	3065	N/A	N/A	226	N/A	N/A
24x72	SUEFA2472-74P	□□□	□□	□□	□□	□□□	GNV	□□	□□	□□	□□	□□	142.0#	1457	N/A	N/A	N/A	25	170	242	N/A	N/A
24x72	SUEFA2472-RNT		□□	□□	□□	□□□	GNV	□□	□□	□□	□□	□□	175.0#	N/A	2643	N/A	N/A	N/A	N/A	242	N/A	N/A
24x72	SUEFA2472-WBB		□□	□□	□□	□□□	GNV	□□	□□	□□	□□	□□	173.0#	N/A	N/A	2476	N/A	N/A	N/A	242	N/A	N/A
24x72	SUEFA2472-SST				□□	□□□	GNV	□□	□□	□□	□□	□□	175.0#	N/A	N/A	N/A	3334	N/A	N/A	242	N/A	N/A
<p>SUEFA 24" Deep</p> <ul style="list-style-type: none"> Field assembly required Vertical and horizontal wire management is included when power modules are specified Undersurface power modules install along any side of the table Casters cannot be used on 24" deep tables Dual footrests are not available on 24" deep tables 																						
30x48	SUEFA3048-74P	□□□	□□	□□	□□	□□□	□□□	□□	□□	□□	□□	□□	126.0#	\$ 1393	N/A	N/A	N/A	\$ 25	\$ 170	\$ 220	\$ 308	\$ 573
30x48	SUEFA3048-RNT		□□	□□	□□	□□□	□□□	□□	□□	□□	□□	□□	154.0#	N/A	2415	N/A	N/A	N/A	N/A	220	308	573
30x48	SUEFA3048-WBB		□□	□□	□□	□□□	□□□	□□	□□	□□	□□	□□	152.0#	N/A	N/A	2291	N/A	N/A	N/A	220	308	573
30x48	SUEFA3048-SST				□□	□□□	□□□	□□	□□	□□	□□	□□	154.0#	N/A	N/A	N/A	3149	N/A	N/A	220	308	573
30x60	SUEFA3060-74P	□□□	□□	□□	□□	□□□	□□□	□□	□□	□□	□□	□□	142.0#	1471	N/A	N/A	N/A	25	170	242	335	629
30x60	SUEFA3060-RNT		□□	□□	□□	□□□	□□□	□□	□□	□□	□□	□□	177.0#	N/A	2732	N/A	N/A	N/A	N/A	242	335	629
30x60	SUEFA3060-WBB		□□	□□	□□	□□□	□□□	□□	□□	□□	□□	□□	175.0#	N/A	N/A	2512	N/A	N/A	N/A	242	335	629
30x60	SUEFA3060-SST				□□	□□□	□□□	□□	□□	□□	□□	□□	177.0#	N/A	N/A	N/A	3425	N/A	N/A	242	335	629
30x72	SUEFA3072-74P	□□□	□□	□□	□□	□□□	□□□	□□	□□	□□	□□	□□	159.0#	1532	N/A	N/A	N/A	25	170	253	362	748
30x72	SUEFA3072-RNT		□□	□□	□□	□□□	□□□	□□	□□	□□	□□	□□	200.0#	N/A	2954	N/A	N/A	N/A	N/A	253	362	748
30x72	SUEFA3072-WBB		□□	□□	□□	□□□	□□□	□□	□□	□□	□□	□□	197.0#	N/A	N/A	2793	N/A	N/A	N/A	253	362	748
30x72	SUEFA3072-SST				□□	□□□	□□□	□□	□□	□□	□□	□□	200.0#	N/A	N/A	N/A	3738	N/A	N/A	253	362	748
30x84	SUEFA3084-74P	□□□	□□	□□	□□	□□□	□□□	□□	□□	□□	□□	□□	175.0#	1822	N/A	N/A	N/A	50	350	271	387	874
30x84	SUEFA3084-RNT		□□	□□	□□	□□□	□□□	□□	□□	□□	□□	□□	223.0#	N/A	3286	N/A	N/A	N/A	N/A	271	387	874
30x84	SUEFA3084-WBB		□□	□□	□□	□□□	□□□	□□	□□	□□	□□	□□	220.0#	N/A	N/A	3097	N/A	N/A	N/A	271	387	874
30x84	SUEFA3084-SST				□□	□□□	□□□	□□	□□	□□	□□	□□	223.0#	N/A	N/A	N/A	4090	N/A	N/A	271	387	874

HOW TO ORDER

Indicate the following information on order form:

- Quantity of each item.
- Model number, including options. See "How to Build a Model Number".
- Any special service required.

Note:

- The □ indicates that a choice is required.
- The absence of the □ indicates that no choice is required.
- Alpha-numeric characters in place of □ indicate that no other alternatives are available.

HOW TO BUILD A MODEL NUMBER

A Select basic model.

B Select edge color. Refer to the **Product Color Options** page in this price list.

C Select surface finish. Refer to the **Product Color Options** page in this price list.

D Select pegboard end panel.
NPB - No pegboards
PB1 - Pegboard on one leg; add \$80
PB2 - Pegboards on both legs; add \$160

E Select frame color. Refer to the **Product Color Options** page in this price list.

F Select footrest/shelf selection.
NFT - No footrest
SFT - Single footrest
DFT - Dual footrest

G Select casters/glides.
GNV - Nylon glides
CCC - Casters; add \$110

H Select module.
NNN - No power modules
MU1 - Qty (1) Dean under-surface module; add \$380
MU2 - Qty (2) Dean under-surface modules; add \$760

I Select module color. Refer to the **Product Color Options** page in this price list.

J Select cord length.
9 - 9' cord length
15 - 15' cord length

K Select bag hook.
NB - No book bag hook
BH - Two book bag hooks; add \$35

L Select bag hook color. Refer to the **Product Color Options** page in this price list.

SPECIAL SERVICES

Special Carton Marking
 With specially marked information N/C

Shipping
 Ships knocked down, FOB Bonduel, WI 54107, freight prepaid. Freight class 125.

Specifications and prices are subject to change without prior notice.

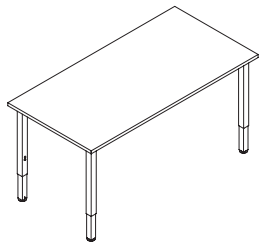
Stout™ Rectangle (Delivered)

Adjustable 27-40" Height



Stout™ Rectangle (Delivered)

Adjustable 27-40" Height

A x B	MODEL NUMBER												Approx. Packaged Weight	1-1/4" Laminate Top with 74P Edge (74P)	1" Phenolic Resin Top (RNT)	1-3/4" Butcher Block Wood Top (WBB)	1-1/2" Stainless Steel Top (SST)	Laminate Grade 2 add to list price	Laminate Grade 3 add to list price	Single Footrest	Dual Footrest	Dual Footrest w/Shelf	
	Basic Model	Edge Color	Surf. Finish	Peg-board	Frame Color	Foot-rest/Shelf	Caster/Glide	Module	Mod. Color	Cord Length	Bag Hook	Bag Hook Color											
 <p>SUEFA 36" Deep</p> <ul style="list-style-type: none"> Field assembly required Vertical and horizontal wire management is included when power modules are specified Undersurface power modules install along any side of the table 	36x48	SUEFA3648-74P	<input type="checkbox"/>	<input type="checkbox"/>	<input type="checkbox"/>	<input type="checkbox"/>	<input type="checkbox"/>	<input type="checkbox"/>	<input type="checkbox"/>	<input type="checkbox"/>	<input type="checkbox"/>	<input type="checkbox"/>	154.0#	\$ 1603	N/A	N/A	N/A	\$ 35	\$ 225	\$ 231	\$ 327	\$ 592	
	36x48	SUEFA3648-RNT	<input type="checkbox"/>	<input type="checkbox"/>	<input type="checkbox"/>	<input type="checkbox"/>	<input type="checkbox"/>	<input type="checkbox"/>	<input type="checkbox"/>	<input type="checkbox"/>	<input type="checkbox"/>	<input type="checkbox"/>	<input type="checkbox"/>	187.0#	N/A	2711	N/A	N/A	N/A	N/A	231	327	592
	36x48	SUEFA3648-WBB	<input type="checkbox"/>	<input type="checkbox"/>	<input type="checkbox"/>	<input type="checkbox"/>	<input type="checkbox"/>	<input type="checkbox"/>	<input type="checkbox"/>	<input type="checkbox"/>	<input type="checkbox"/>	<input type="checkbox"/>	<input type="checkbox"/>	185.0#	N/A	N/A	2614	N/A	N/A	N/A	231	327	592
	36x48	SUEFA3648-SST	<input type="checkbox"/>	<input type="checkbox"/>	<input type="checkbox"/>	<input type="checkbox"/>	<input type="checkbox"/>	<input type="checkbox"/>	<input type="checkbox"/>	<input type="checkbox"/>	<input type="checkbox"/>	<input type="checkbox"/>	<input type="checkbox"/>	187.0#	N/A	N/A	N/A	3278	N/A	N/A	231	327	592
	36x60	SUEFA3660-74P	<input type="checkbox"/>	<input type="checkbox"/>	<input type="checkbox"/>	<input type="checkbox"/>	<input type="checkbox"/>	<input type="checkbox"/>	<input type="checkbox"/>	<input type="checkbox"/>	<input type="checkbox"/>	<input type="checkbox"/>	<input type="checkbox"/>	174.0#	1723	N/A	N/A	N/A	50	350	249	345	639
	36x60	SUEFA3660-RNT	<input type="checkbox"/>	<input type="checkbox"/>	<input type="checkbox"/>	<input type="checkbox"/>	<input type="checkbox"/>	<input type="checkbox"/>	<input type="checkbox"/>	<input type="checkbox"/>	<input type="checkbox"/>	<input type="checkbox"/>	<input type="checkbox"/>	216.0#	N/A	3037	N/A	N/A	N/A	N/A	249	345	639
	36x60	SUEFA3660-WBB	<input type="checkbox"/>	<input type="checkbox"/>	<input type="checkbox"/>	<input type="checkbox"/>	<input type="checkbox"/>	<input type="checkbox"/>	<input type="checkbox"/>	<input type="checkbox"/>	<input type="checkbox"/>	<input type="checkbox"/>	<input type="checkbox"/>	213.0#	N/A	N/A	2930	N/A	N/A	N/A	249	345	639
	36x60	SUEFA3660-SST	<input type="checkbox"/>	<input type="checkbox"/>	<input type="checkbox"/>	<input type="checkbox"/>	<input type="checkbox"/>	<input type="checkbox"/>	<input type="checkbox"/>	<input type="checkbox"/>	<input type="checkbox"/>	<input type="checkbox"/>	<input type="checkbox"/>	216.0#	N/A	N/A	N/A	3579	N/A	N/A	249	345	639
	36x72	SUEFA3672-74P	<input type="checkbox"/>	<input type="checkbox"/>	<input type="checkbox"/>	<input type="checkbox"/>	<input type="checkbox"/>	<input type="checkbox"/>	<input type="checkbox"/>	<input type="checkbox"/>	<input type="checkbox"/>	<input type="checkbox"/>	<input type="checkbox"/>	194.0#	1792	N/A	N/A	N/A	50	350	265	372	757
	36x72	SUEFA3672-RNT	<input type="checkbox"/>	<input type="checkbox"/>	<input type="checkbox"/>	<input type="checkbox"/>	<input type="checkbox"/>	<input type="checkbox"/>	<input type="checkbox"/>	<input type="checkbox"/>	<input type="checkbox"/>	<input type="checkbox"/>	<input type="checkbox"/>	244.0#	N/A	3367	N/A	N/A	N/A	N/A	265	372	757
	36x72	SUEFA3672-WBB	<input type="checkbox"/>	<input type="checkbox"/>	<input type="checkbox"/>	<input type="checkbox"/>	<input type="checkbox"/>	<input type="checkbox"/>	<input type="checkbox"/>	<input type="checkbox"/>	<input type="checkbox"/>	<input type="checkbox"/>	<input type="checkbox"/>	241.0#	N/A	N/A	3297	N/A	N/A	N/A	265	372	757
	36x72	SUEFA3672-SST	<input type="checkbox"/>	<input type="checkbox"/>	<input type="checkbox"/>	<input type="checkbox"/>	<input type="checkbox"/>	<input type="checkbox"/>	<input type="checkbox"/>	<input type="checkbox"/>	<input type="checkbox"/>	<input type="checkbox"/>	<input type="checkbox"/>	244.0#	N/A	N/A	N/A	3883	N/A	N/A	265	372	757
<p>SUEFA 42" Deep</p> <ul style="list-style-type: none"> Field assembly required Vertical and horizontal wire management is included when power modules are specified Undersurface power modules install along any side of the table 	36x84	SUEFA3684-74P	<input type="checkbox"/>	<input type="checkbox"/>	<input type="checkbox"/>	<input type="checkbox"/>	<input type="checkbox"/>	<input type="checkbox"/>	<input type="checkbox"/>	<input type="checkbox"/>	<input type="checkbox"/>	<input type="checkbox"/>	214.0#	2093	N/A	N/A	N/A	70	450	283	397	884	
	36x84	SUEFA3684-RNT	<input type="checkbox"/>	<input type="checkbox"/>	<input type="checkbox"/>	<input type="checkbox"/>	<input type="checkbox"/>	<input type="checkbox"/>	<input type="checkbox"/>	<input type="checkbox"/>	<input type="checkbox"/>	<input type="checkbox"/>	273.0#	N/A	3710	N/A	N/A	N/A	N/A	N/A	283	397	884
	36x84	SUEFA3684-WBB	<input type="checkbox"/>	<input type="checkbox"/>	<input type="checkbox"/>	<input type="checkbox"/>	<input type="checkbox"/>	<input type="checkbox"/>	<input type="checkbox"/>	<input type="checkbox"/>	<input type="checkbox"/>	<input type="checkbox"/>	269.0#	N/A	N/A	3629	N/A	N/A	N/A	283	397	884	
	36x84	SUEFA3684-SST	<input type="checkbox"/>	<input type="checkbox"/>	<input type="checkbox"/>	<input type="checkbox"/>	<input type="checkbox"/>	<input type="checkbox"/>	<input type="checkbox"/>	<input type="checkbox"/>	<input type="checkbox"/>	<input type="checkbox"/>	273.0#	N/A	N/A	N/A	4249	N/A	N/A	283	397	884	
<p>SUEFA 42" Deep</p> <ul style="list-style-type: none"> Field assembly required Vertical and horizontal wire management is included when power modules are specified Undersurface power modules install along any side of the table 	42x48	SUEFA4248-74P	<input type="checkbox"/>	<input type="checkbox"/>	<input type="checkbox"/>	<input type="checkbox"/>	<input type="checkbox"/>	<input type="checkbox"/>	<input type="checkbox"/>	<input type="checkbox"/>	<input type="checkbox"/>	<input type="checkbox"/>	171.0#	\$ 1835	N/A	N/A	N/A	\$ 35	\$ 225	\$ 243	\$ 345	\$ 610	
	42x48	SUEFA4248-RNT	<input type="checkbox"/>	<input type="checkbox"/>	<input type="checkbox"/>	<input type="checkbox"/>	<input type="checkbox"/>	<input type="checkbox"/>	<input type="checkbox"/>	<input type="checkbox"/>	<input type="checkbox"/>	<input type="checkbox"/>	210.0#	N/A	2924	N/A	N/A	N/A	N/A	N/A	243	345	610
	42x48	SUEFA4248-WBB	<input type="checkbox"/>	<input type="checkbox"/>	<input type="checkbox"/>	<input type="checkbox"/>	<input type="checkbox"/>	<input type="checkbox"/>	<input type="checkbox"/>	<input type="checkbox"/>	<input type="checkbox"/>	<input type="checkbox"/>	207.0#	N/A	N/A	2896	N/A	N/A	N/A	243	345	610	
	42x48	SUEFA4248-SST	<input type="checkbox"/>	<input type="checkbox"/>	<input type="checkbox"/>	<input type="checkbox"/>	<input type="checkbox"/>	<input type="checkbox"/>	<input type="checkbox"/>	<input type="checkbox"/>	<input type="checkbox"/>	<input type="checkbox"/>	210.0#	N/A	N/A	N/A	3329	N/A	N/A	243	345	610	
	42x60	SUEFA4260-74P	<input type="checkbox"/>	<input type="checkbox"/>	<input type="checkbox"/>	<input type="checkbox"/>	<input type="checkbox"/>	<input type="checkbox"/>	<input type="checkbox"/>	<input type="checkbox"/>	<input type="checkbox"/>	<input type="checkbox"/>	193.0#	1874	N/A	N/A	N/A	50	350	259	363	657	
	42x60	SUEFA4260-RNT	<input type="checkbox"/>	<input type="checkbox"/>	<input type="checkbox"/>	<input type="checkbox"/>	<input type="checkbox"/>	<input type="checkbox"/>	<input type="checkbox"/>	<input type="checkbox"/>	<input type="checkbox"/>	<input type="checkbox"/>	242.0#	N/A	3349	N/A	N/A	N/A	N/A	N/A	259	363	657
	42x60	SUEFA4260-WBB	<input type="checkbox"/>	<input type="checkbox"/>	<input type="checkbox"/>	<input type="checkbox"/>	<input type="checkbox"/>	<input type="checkbox"/>	<input type="checkbox"/>	<input type="checkbox"/>	<input type="checkbox"/>	<input type="checkbox"/>	239.0#	N/A	N/A	3195	N/A	N/A	N/A	259	363	657	
	42x60	SUEFA4260-SST	<input type="checkbox"/>	<input type="checkbox"/>	<input type="checkbox"/>	<input type="checkbox"/>	<input type="checkbox"/>	<input type="checkbox"/>	<input type="checkbox"/>	<input type="checkbox"/>	<input type="checkbox"/>	<input type="checkbox"/>	242.0#	N/A	N/A	N/A	3753	N/A	N/A	259	363	657	
	42x72	SUEFA4272-74P	<input type="checkbox"/>	<input type="checkbox"/>	<input type="checkbox"/>	<input type="checkbox"/>	<input type="checkbox"/>	<input type="checkbox"/>	<input type="checkbox"/>	<input type="checkbox"/>	<input type="checkbox"/>	<input type="checkbox"/>	215.0#	1931	N/A	N/A	N/A	50	350	275	390	775	
	42x72	SUEFA4272-RNT	<input type="checkbox"/>	<input type="checkbox"/>	<input type="checkbox"/>	<input type="checkbox"/>	<input type="checkbox"/>	<input type="checkbox"/>	<input type="checkbox"/>	<input type="checkbox"/>	<input type="checkbox"/>	<input type="checkbox"/>	274.0#	N/A	3679	N/A	N/A	N/A	N/A	N/A	275	390	775
	42x72	SUEFA4272-WBB	<input type="checkbox"/>	<input type="checkbox"/>	<input type="checkbox"/>	<input type="checkbox"/>	<input type="checkbox"/>	<input type="checkbox"/>	<input type="checkbox"/>	<input type="checkbox"/>	<input type="checkbox"/>	<input type="checkbox"/>	270.0#	N/A	N/A	3645	N/A	N/A	N/A	275	390	775	
	42x72	SUEFA4272-SST	<input type="checkbox"/>	<input type="checkbox"/>	<input type="checkbox"/>	<input type="checkbox"/>	<input type="checkbox"/>	<input type="checkbox"/>	<input type="checkbox"/>	<input type="checkbox"/>	<input type="checkbox"/>	<input type="checkbox"/>	274.0#	N/A	N/A	N/A	4071	N/A	N/A	275	390	775	
42x84	SUEFA4284-74P	<input type="checkbox"/>	<input type="checkbox"/>	<input type="checkbox"/>	<input type="checkbox"/>	<input type="checkbox"/>	<input type="checkbox"/>	<input type="checkbox"/>	<input type="checkbox"/>	<input type="checkbox"/>	<input type="checkbox"/>	237.0#	2208	N/A	N/A	N/A	70	450	289	403	891		
42x84	SUEFA4284-RNT	<input type="checkbox"/>	<input type="checkbox"/>	<input type="checkbox"/>	<input type="checkbox"/>	<input type="checkbox"/>	<input type="checkbox"/>	<input type="checkbox"/>	<input type="checkbox"/>	<input type="checkbox"/>	<input type="checkbox"/>	306.0#	N/A	4121	N/A	N/A	N/A	N/A	N/A	289	403	891	
42x84	SUEFA4284-WBB	<input type="checkbox"/>	<input type="checkbox"/>	<input type="checkbox"/>	<input type="checkbox"/>	<input type="checkbox"/>	<input type="checkbox"/>	<input type="checkbox"/>	<input type="checkbox"/>	<input type="checkbox"/>	<input type="checkbox"/>	301.0#	N/A	N/A	4062	N/A	N/A	N/A	289	403	891		
42x84	SUEFA4284-SST	<input type="checkbox"/>	<input type="checkbox"/>	<input type="checkbox"/>	<input type="checkbox"/>	<input type="checkbox"/>	<input type="checkbox"/>	<input type="checkbox"/>	<input type="checkbox"/>	<input type="checkbox"/>	<input type="checkbox"/>	306.0#	N/A	N/A	N/A	4646	N/A	N/A	289	403	891		

HOW TO ORDER

Indicate the following information on order form:

- Quantity of each item.
- Model number, including options. See "How To Build a Model Number".
- Any special service required.

Note:

- The indicates that a choice is required.
- The absence of the indicates that no choice is required.
- Alpha-numeric characters in place of indicate that no other alternatives are available.

HOW TO BUILD A MODEL NUMBER

A Select basic model.

B Select edge color. Refer to the **Product Color Options** page in this price list.

C Select surface finish. Refer to the **Product Color Options** page in this price list.

D Select pegboard end panel.
NPB - No pegboards
PB1 - Pegboard on one leg; add \$80
PB2 - Pegboards on both legs; add \$160

E Select frame color. Refer to the **Product Color Options** page in this price list.

F Select footrest/shelf selection.
NFT - No footrest
SFT - Single footrest
DFT - Dual footrest

G Select casters/glides.
GNV - Nylon glides
CCC - Casters; add \$110

H Select module.
NNN - No power modules
MU1 - Qty (1) Dean under-surface module; add \$380
MU2 - Qty (2) Dean under-surface modules; add \$760

I Select module color. Refer to the **Product Color Options** page in this price list.

J Select cord length.
9 - 9' cord length
15 - 15' cord length

K Select bag hook.
NB - No book bag hook
BH - Four book bag hooks; add \$70

L Select bag hook color. Refer to the **Product Color Options** page in this price list.

SPECIAL SERVICES

Special Carton Marking
 With specially marked information N/C

Shipping
 Ships **knocked down, FOB Bonduel, WI 54107, freight prepaid.** Freight class 125.

Specifications and prices are subject to change without prior notice.

Stout™ Rectangle (Delivered)

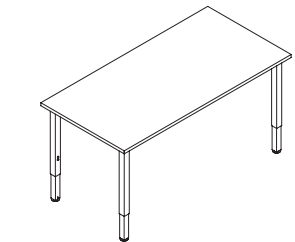
Adjustable 27-40" Height



Stout™ Rectangle (Delivered)

Adjustable 27-40" Height

A x B	MODEL NUMBER													Approx. Packaged Weight	1-1/4" Laminate Top with 74P Edge (74P)	1" Phenolic Resin Top (RNT)	1-3/4" Butcher Block Wood Top (WBB)	1-1/2" Stainless Steel Top (SST)	Laminate Grade 2 add to list price	Laminate Grade 3 add to list price	Single Footrest	Dual Footrest	Dual Footrest w/Shelf
	Basic Model	Edge Color	Surf. Finish	Peg-board	Frame Color	Foot-rest/Shelf	Shelf Color	Caster/Glide	Module	Mod. Color	Cord Length	Bag Hook	Bag Hook Color										
48x48	SUEFA4848-74P	<input type="checkbox"/>	<input type="checkbox"/>	<input type="checkbox"/>	<input type="checkbox"/>	<input type="checkbox"/>	<input type="checkbox"/>	<input type="checkbox"/>	<input type="checkbox"/>	<input type="checkbox"/>	<input type="checkbox"/>	<input type="checkbox"/>	<input type="checkbox"/>	194.0#	\$ 1768	N/A	N/A	N/A	\$ 35	\$ 225	\$ 253	\$ 363	\$ 628
48x48	SUEFA4848-RNT		<input type="checkbox"/>	<input type="checkbox"/>	<input type="checkbox"/>	<input type="checkbox"/>	<input type="checkbox"/>	<input type="checkbox"/>	<input type="checkbox"/>	<input type="checkbox"/>	<input type="checkbox"/>	<input type="checkbox"/>	<input type="checkbox"/>	239.0#	N/A	3139	N/A	N/A	N/A	N/A	253	363	628
48x48	SUEFA4848-WBB		<input type="checkbox"/>	<input type="checkbox"/>	<input type="checkbox"/>	<input type="checkbox"/>	<input type="checkbox"/>	<input type="checkbox"/>	<input type="checkbox"/>	<input type="checkbox"/>	<input type="checkbox"/>	<input type="checkbox"/>	<input type="checkbox"/>	236.0#	N/A	N/A	3170	N/A	N/A	253	363	628	
48x48	SUEFA4848-SST			<input type="checkbox"/>	<input type="checkbox"/>	<input type="checkbox"/>	<input type="checkbox"/>	<input type="checkbox"/>	<input type="checkbox"/>	<input type="checkbox"/>	<input type="checkbox"/>	<input type="checkbox"/>	<input type="checkbox"/>	239.0#	N/A	N/A	N/A	3580	N/A	N/A	253	363	628
48x60	SUEFA4860-74P	<input type="checkbox"/>	<input type="checkbox"/>	<input type="checkbox"/>	<input type="checkbox"/>	<input type="checkbox"/>	<input type="checkbox"/>	<input type="checkbox"/>	<input type="checkbox"/>	<input type="checkbox"/>	<input type="checkbox"/>	<input type="checkbox"/>	<input type="checkbox"/>	219.0#	1898	N/A	N/A	N/A	50	350	269	381	675
48x60	SUEFA4860-RNT		<input type="checkbox"/>	<input type="checkbox"/>	<input type="checkbox"/>	<input type="checkbox"/>	<input type="checkbox"/>	<input type="checkbox"/>	<input type="checkbox"/>	<input type="checkbox"/>	<input type="checkbox"/>	<input type="checkbox"/>	<input type="checkbox"/>	275.0#	N/A	3564	N/A	N/A	N/A	N/A	269	381	675
48x60	SUEFA4860-WBB		<input type="checkbox"/>	<input type="checkbox"/>	<input type="checkbox"/>	<input type="checkbox"/>	<input type="checkbox"/>	<input type="checkbox"/>	<input type="checkbox"/>	<input type="checkbox"/>	<input type="checkbox"/>	<input type="checkbox"/>	<input type="checkbox"/>	271.0#	N/A	N/A	3760	N/A	N/A	269	381	675	
48x60	SUEFA4860-SST			<input type="checkbox"/>	<input type="checkbox"/>	<input type="checkbox"/>	<input type="checkbox"/>	<input type="checkbox"/>	<input type="checkbox"/>	<input type="checkbox"/>	<input type="checkbox"/>	<input type="checkbox"/>	<input type="checkbox"/>	275.0#	N/A	N/A	N/A	3926	N/A	N/A	269	381	675
48x72	SUEFA4872-74P	<input type="checkbox"/>	<input type="checkbox"/>	<input type="checkbox"/>	<input type="checkbox"/>	<input type="checkbox"/>	<input type="checkbox"/>	<input type="checkbox"/>	<input type="checkbox"/>	<input type="checkbox"/>	<input type="checkbox"/>	<input type="checkbox"/>	<input type="checkbox"/>	243.0#	1991	N/A	N/A	N/A	50	350	284	408	793
48x72	SUEFA4872-RNT		<input type="checkbox"/>	<input type="checkbox"/>	<input type="checkbox"/>	<input type="checkbox"/>	<input type="checkbox"/>	<input type="checkbox"/>	<input type="checkbox"/>	<input type="checkbox"/>	<input type="checkbox"/>	<input type="checkbox"/>	<input type="checkbox"/>	310.0#	N/A	3997	N/A	N/A	N/A	N/A	284	408	793
48x72	SUEFA4872-WBB		<input type="checkbox"/>	<input type="checkbox"/>	<input type="checkbox"/>	<input type="checkbox"/>	<input type="checkbox"/>	<input type="checkbox"/>	<input type="checkbox"/>	<input type="checkbox"/>	<input type="checkbox"/>	<input type="checkbox"/>	<input type="checkbox"/>	305.0#	N/A	N/A	4268	N/A	N/A	284	408	793	
48x72	SUEFA4872-SST			<input type="checkbox"/>	<input type="checkbox"/>	<input type="checkbox"/>	<input type="checkbox"/>	<input type="checkbox"/>	<input type="checkbox"/>	<input type="checkbox"/>	<input type="checkbox"/>	<input type="checkbox"/>	<input type="checkbox"/>	310.0#	N/A	N/A	N/A	4265	N/A	N/A	284	408	793
48x84	SUEFA4884-74P	<input type="checkbox"/>	<input type="checkbox"/>	<input type="checkbox"/>	<input type="checkbox"/>	<input type="checkbox"/>	<input type="checkbox"/>	<input type="checkbox"/>	<input type="checkbox"/>	<input type="checkbox"/>	<input type="checkbox"/>	<input type="checkbox"/>	<input type="checkbox"/>	267.0#	2266	N/A	N/A	N/A	70	450	297	411	899
48x84	SUEFA4884-RNT		<input type="checkbox"/>	<input type="checkbox"/>	<input type="checkbox"/>	<input type="checkbox"/>	<input type="checkbox"/>	<input type="checkbox"/>	<input type="checkbox"/>	<input type="checkbox"/>	<input type="checkbox"/>	<input type="checkbox"/>	<input type="checkbox"/>	345.0#	N/A	4434	N/A	N/A	N/A	N/A	297	411	899
48x84	SUEFA4884-WBB		<input type="checkbox"/>	<input type="checkbox"/>	<input type="checkbox"/>	<input type="checkbox"/>	<input type="checkbox"/>	<input type="checkbox"/>	<input type="checkbox"/>	<input type="checkbox"/>	<input type="checkbox"/>	<input type="checkbox"/>	<input type="checkbox"/>	340.0#	N/A	N/A	4822	N/A	N/A	297	411	899	
48x84	SUEFA4884-SST			<input type="checkbox"/>	<input type="checkbox"/>	<input type="checkbox"/>	<input type="checkbox"/>	<input type="checkbox"/>	<input type="checkbox"/>	<input type="checkbox"/>	<input type="checkbox"/>	<input type="checkbox"/>	<input type="checkbox"/>	345.0#	N/A	N/A	N/A	5169	N/A	N/A	297	411	899



- SUEFA
48" Deep
- Field assembly required
 - Vertical and horizontal wire management is included when power modules are specified
 - Undersurface power modules install along any side of the table

HOW TO ORDER

Indicate the following information on order form:

- Quantity of each item.
- Model number, including options. See "How To Build a Model Number".
- Any special service required.

Note:

- The indicates that a choice is required.
- The absence of the indicates that no choice is required.
- Alpha-numeric characters in place of indicate that no other alternatives are available.

HOW TO BUILD A MODEL NUMBER

A Select basic model.

B Select edge color. Refer to the **Product Color Options** page in this price list.

C Select surface finish. Refer to the **Product Color Options** page in this price list.

D Select pegboard end panel.
NPB - No pegboards
PB1 - Pegboard on one leg; add \$80
PB2 - Pegboards on both legs; add \$160

E Select frame color. Refer to the **Product Color Options** page in this price list.

F Select footrest/shelf selection.
NFT - No footrest
SFT - Single footrest
DFT - Dual footrest

DFS - Dual footrest with shelf
 See pricing column for footrest upcharge.

G Select shelf color. Refer to the **Product Color Options** page in this price list.

H Select casters/glides.
GNY - Nylon glides
CCC - Casters; add \$110

I Select module.
NNN - No power modules
MU1 - Qty (1) Dean under-surface module; add \$380
MU2 - Qty (2) Dean under-surface modules; add \$760

J Select module color. Refer to the **Product Color Options** page in this price list.

K Select cord length.
9 - 9' cord length
15 - 15' cord length

L Select bag hook.
NB - No book bag hook
BH - Four book bag hooks; add \$70

M Select bag hook color. Refer to the **Product Color Options** page in this price list.

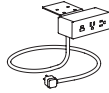
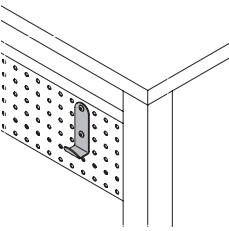
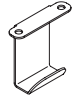


SPECIAL SERVICES

Special Carton Marking
 With specially marked information N/C

Shipping
 Ships **knocked down, FOB Bonduel, WI 54107, freight prepaid.** Freight class 125.

Specifications and prices are subject to change without prior notice.



MODEL	MODEL NUMBER					Approx. Packaged Weight	Delivered Pricing
	Basic Model	Bag Hook Color	Frame Color	Mod. Color	Cord Length		
 SUAC Dean Undersurface Module Kit • Mounting brackets and hardware included for installation onto Stout Tables • Modules can be installed along any side of the table • Horizontal wire management included • Vertical wire managers shall be ordered separately	SUACMODMU1			<input type="checkbox"/>	<input type="checkbox"/>	4.0#	\$ 463
 SUAC Pegboard Hook Kit • Hardware included for attachment to Stout Table pegboard end panels • Color of mounting screws will match color of hooks	SUACPEGHOOK		<input type="checkbox"/>			0.5#	\$ 20
 SUAC Worksurface Bag Hook Kit • Hardware included for attachment to underside of a Stout Table worksurface • Color of mounting screws will be black • These hooks can install at either end of a Stout Table	SUACWKSFOOK	<input type="checkbox"/>	<input type="checkbox"/>			0.5#	\$ 20
 SUAC Vertical Wire Manager • 16" for use on 29" Fixed Height and on Adjustable Height Stout Tables • Adhesive-backed for screwless attachment	SUACVWM16		<input type="checkbox"/>			0.5#	\$ 40
 SUAC Vertical Wire Manager • 23" for use on 36" and 40" Fixed Height Stout Tables • Adhesive-backed for screwless attachment	SUACVWM24		<input type="checkbox"/>			0.5#	\$ 40

A **B** **C** **D** **E**

HOW TO ORDER

- Indicate the following information on order form:
- Quantity of each item.
 - Model number, including options. See "How To Build a Model Number".
 - Any special service required.

Note:

- The indicates that a choice is required.
- The absence of the indicates that no choice is required.
- Alpha-numeric characters in place of indicate that no other alternatives are available.

HOW TO BUILD A MODEL NUMBER

- A** Select basic model.
- B** Select worksurface bag hook color. Refer to the **Product Color Options** page in this price list.
- C** Select frame color. Refer to the **Product Color Options** page in this price list.
- D** Select module color. Refer to the **Product Color Options** page in this price list.
- E** Select cord length.

9	- 9' cord length
15	- 15' cord length

SPECIAL SERVICES

Special Carton Marking

With specially marked information N/C

Shipping
 Ships **knocked down, FOB Bonduel, WI 54107, freight prepaid.** Freight class 125.

Specifications and prices are subject to change without prior notice.



1330 BELLEVUE STREET
GREEN BAY, WI 54302
800.424.2432 / KI.COM

KI is a trusted expert for furniture and wall systems around the globe.
USA | CANADA | MEXICO | UK | EUROPE | ASIA | MIDDLE EAST
© 2025 Krueger International, Inc. All Rights Reserved.