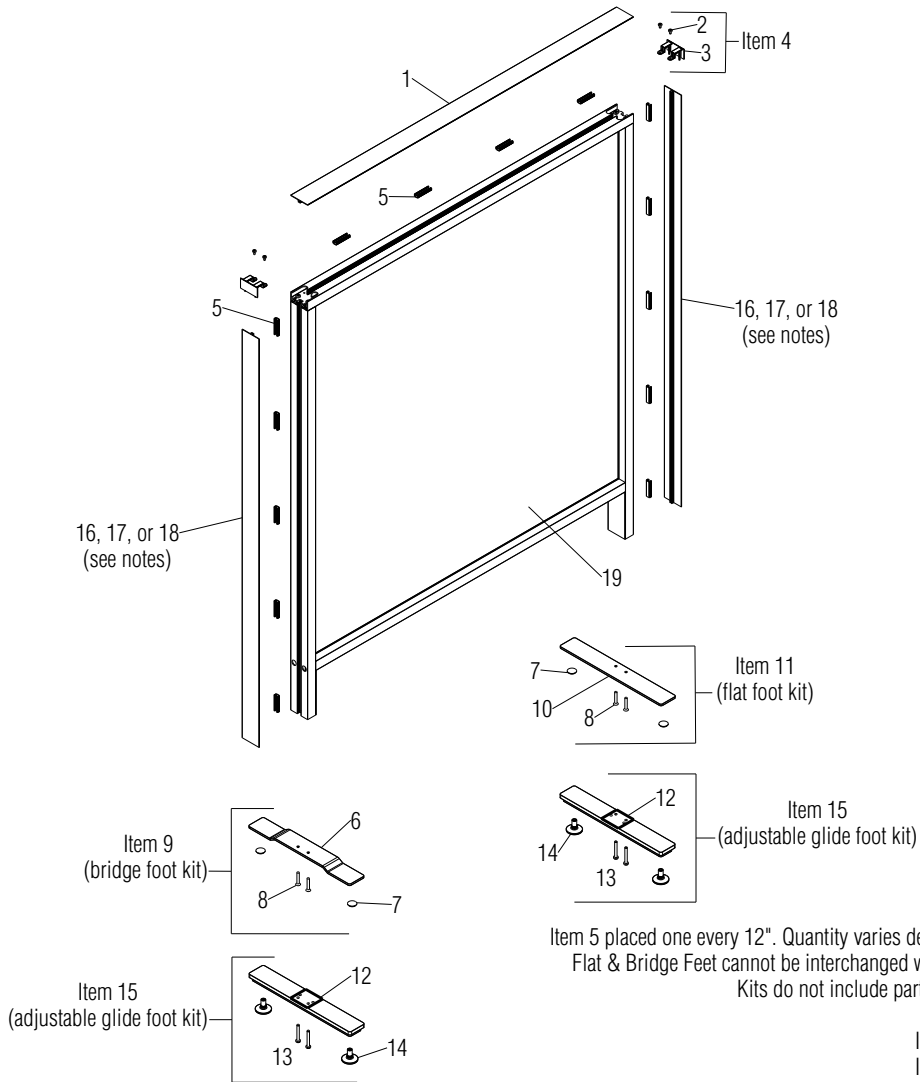


Parts Diagram

Tattoo™ Flex Screen

December 2021



.XX = Select Color
 Item 5 placed one every 12". Quantity varies depending on screen width.
 Flat & Bridge Feet cannot be interchanged with Adjustable Glide Feet.
 Kits do not include parts for both ends of screen.
 Item 16 used with Item 6.
 Item 17 used with Item 10.
 Item 18 used with Item 12.
 Item 19 can be replaced by contacting KI Customer Service.

Item	Part Number	Item Description	Req Qty	Item	Part Number	Item Description	Req Qty
1	52.7067.SIZE.XX	Top Cap, Screen	1	13	46.0877	Assembly, Glide	2
2	31.12.9070.X	Screw, #10-24 x 3/8" Torx Pan Head	4	14	50.1780	Screw, 1/4-20 x 2" Phillips Pan Head	4
3	52.7012.XX	Corner Cap, Screen	2	15	52.2339.KIT.XX	Kit, Adjustable Glide Foot (includes glide and hardware)	4
4	52.7012.KIT.XX	Kit, Corner Cap (includes hardware)	1	16	52.7035.48.XX	Vertical Trim Cap, Bridge Foot 48"	1
5	49.0376.X	Clip, Center Molding 2" Long	Varies		52.7035.54.XX	Vertical Trim Cap, Bridge Foot 54"	1
6	52.7002.XX	Foot, Bridge	1		52.7035.60.XX	Vertical Trim Cap, Bridge Foot 60"	1
7	42.1005	Bumper, Adhesive Dome	4	17	52.7036.48.XX	Vertical Trim Cap, Flat Foot 48"	1
8	12.2709	Screw, 1/4-20 x 1-1/2" Phillips Flat Head	4		52.7036.54.XX	Vertical Trim Cap, Flat Foot 54"	1
9	52.7002.KIT.XX	Kit, Bridge Foot (includes bumpers and hardware)	1		52.7036.60.XX	Vertical Trim Cap, Flat Foot 60"	1
10	52.7001.XX	Foot, Flat	1	18	52.7041.48.XX	Vertical Trim Cap, Adjustable Glide Foot 48"	1
11	52.7001.KIT.XX	Kit, Flat Foot (includes bumpers and hardware)	1		52.7041.54.XX	Vertical Trim Cap, Adjustable Glide Foot 54"	1
12	52.2339.XX	Foot, Adjustable Glide	1		52.7041.60.XX	Vertical Trim Cap, Adjustable Glide Foot 60"	1
				19	Contact KI	Core/Frame, Replacement	

