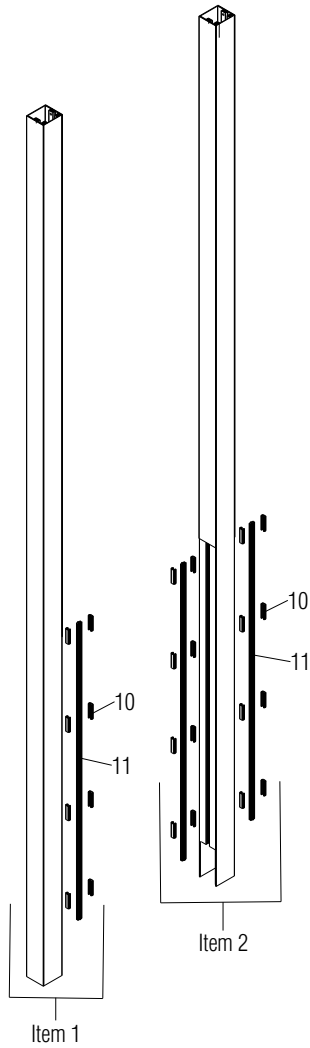
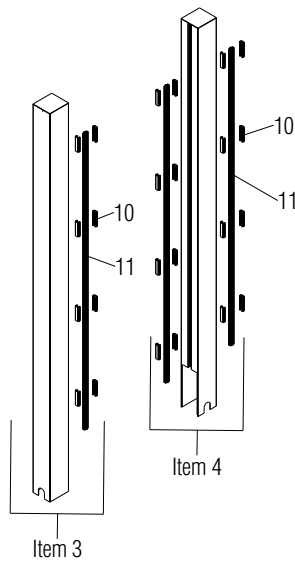


# Parts Diagram

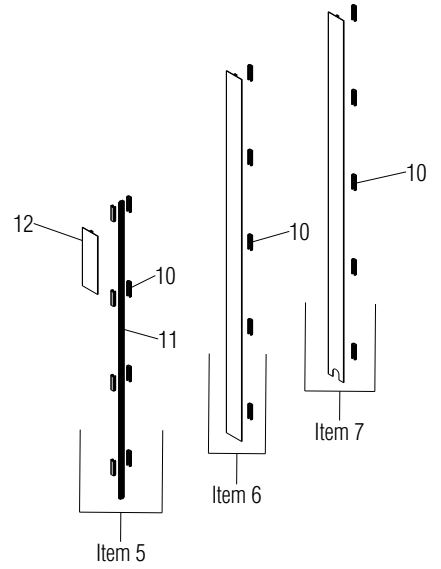
Tattoo™ Spine Screen  
Trim Caps & Kits  
December 2019



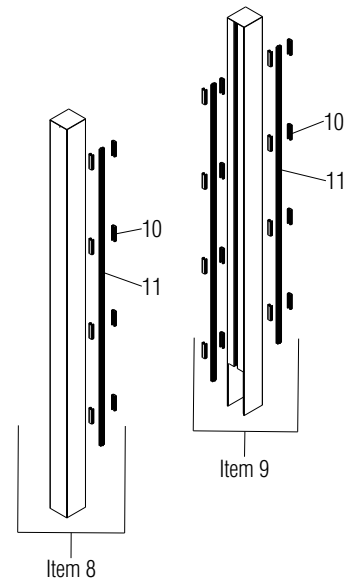
**Top Infeed Kits**



**Base Infeed Kits**



**Vertical Trim Kits**



**Spacer Kits**



## ■ Tattoo Spine Screen - Trim Kits

### Parts Diagram

\* = Must replace whole kit, if any piece is damaged. Kit shown assembled but ships unassembled.

Items 10 & 11 are included in the kits but can purchased separately. Item 12 can be purchased separately as well.

**Note:** If 10-wire power infeed is required with either the Top or Base Infeed kits on this page, see price list to order complete kit.

Item	Part Number	Item Description	Req Qty
1*	TTF.10.XX	Top Infeed Kit, End-Of-Run 10' (shown)	1
	TTF.15.XX	Top Infeed Kit, End-Of-Run 15'	1
2*	TITF.10.XX	Top Infeed Kit, In-line 10' (shown)	1
	TITF.15.XX	Top Infeed Kit, In-line 15'	1
3*	TSBF.48.XX	Base Infeed Kit, End-of-Run Spacer 48"	1
	TSBF.54.XX	Base Infeed Kit, End-of-Run Spacer 54" (shown)	1
4*	TIBF.48.XX	Base Infeed Kit, In-line 48"	1
	TIBF.54.XX	Base Infeed Kit, In-line 54" (shown)	1
5	TEORV.06.XX	Vertical Trim Kit, Change-of-Height	1
6	52.7041.48.XX	Vertical Trim Cap, End-of-Run 48"	1
	52.7041.54.XX	Vertical Trim Cap, End-of-Run 54" (shown)	1
7	52.7081.48.XX	Vertical Trim Cap, Base Infeed End-of-Run 48"	1
	52.7081.54.XX	Vertical Trim Cap, Base Infeed End-of-Run 54" (shown)	1
8*	TSEOR.48.XX	Spacer Trim Kit, End-of-Run 48"	1
	TSEOR.54.XX	Spacer Trim Kit, End-of-Run 54" (shown)	1
9*	TSIS.48.XX	Spacer Trim Kit, In-line 48"	1
	TSIS.54.XX	Spacer Trim Kit, In-line 54" (shown)	1
10	49.0376	Clip, Center Molding	varies
11	52.2332.42	Connector, Spine Screens	varies
12	52.7045.XX	Vertical Trim Cap, Change-of-Height	1

