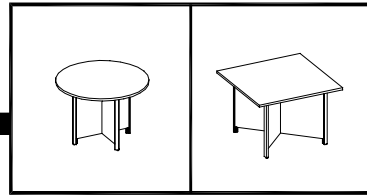




Assembly Instructions

Orenda™ Casegoods

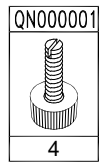
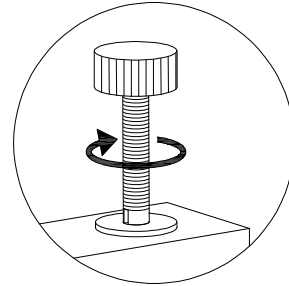
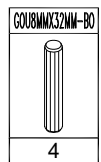
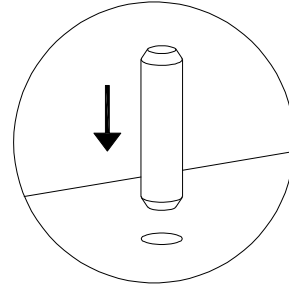
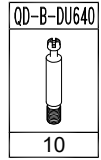
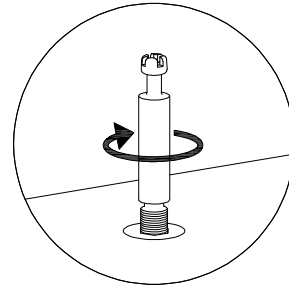
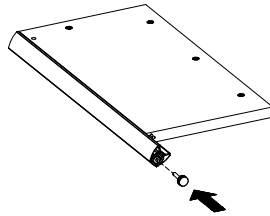
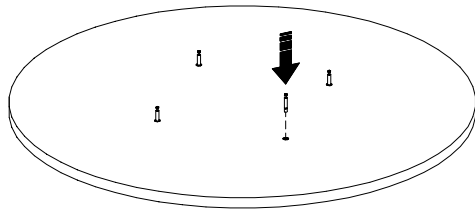
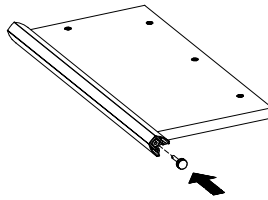
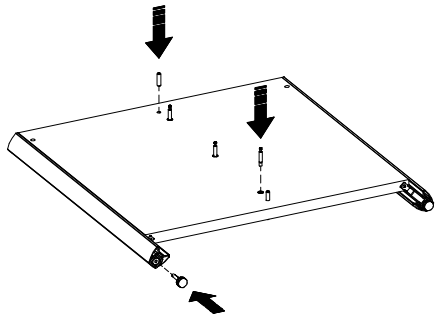
Aluminum Frame Table



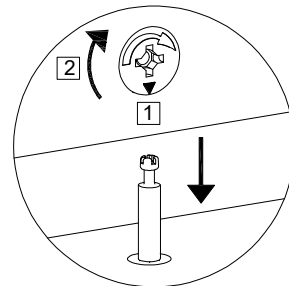
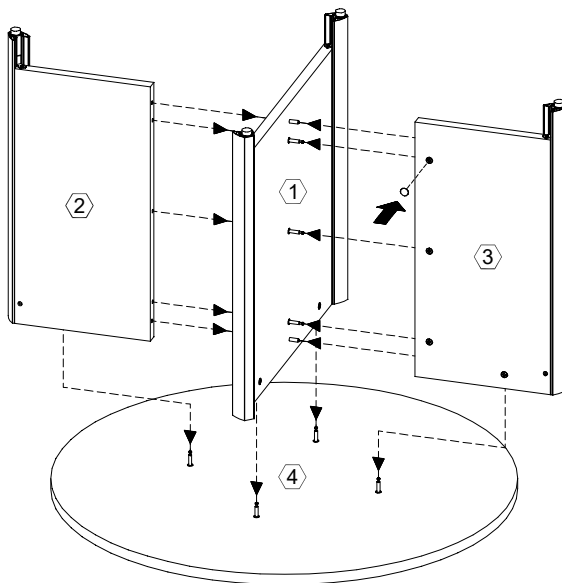
AKLAR
AKLAS

QD-B-DU640	QN000001	QD-CAP-ODO	GOU8MMX32MM-B0
10	4	14	4

- 1.** Lay worksurface and center panel upside down on soft surface to protect. Insert the 10 shoulder screws into the top and center panel. Insert the 4 dowel pins into the center panel. Insert the 4 glides leaving ¼ inch of adjustment.



- 2.** Place center panel ① in place then ends ② ③ and then tighten all camlocks (see diagram). Place adhesive cover over visible hardware.



- ① Align arrow orientation to insert part
- ② Lock

