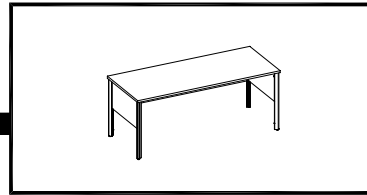




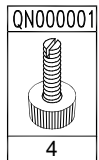
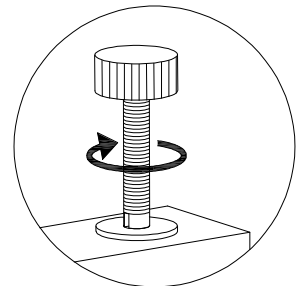
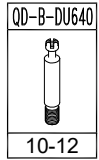
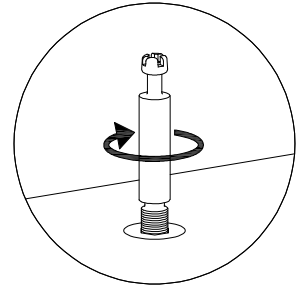
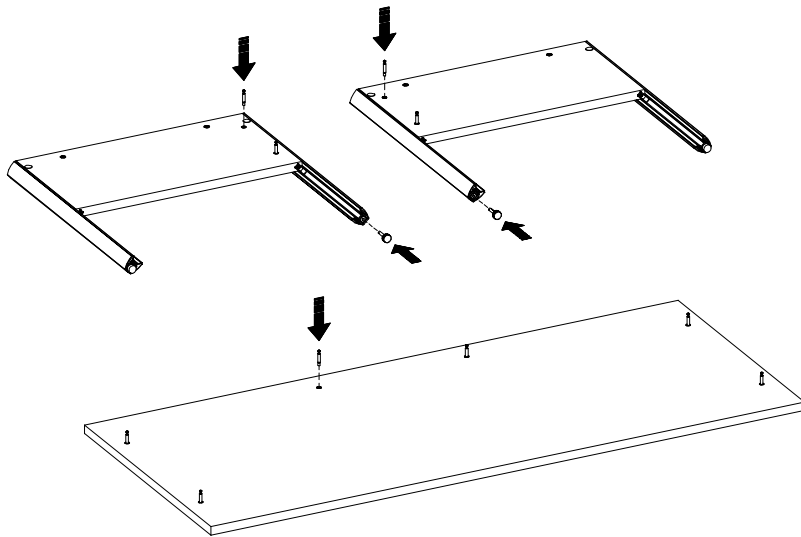
Assembly Instructions
Orenda™ Casegoods
Aluminum Frame Table Rectangle



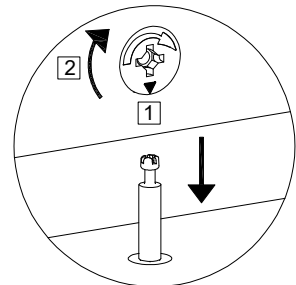
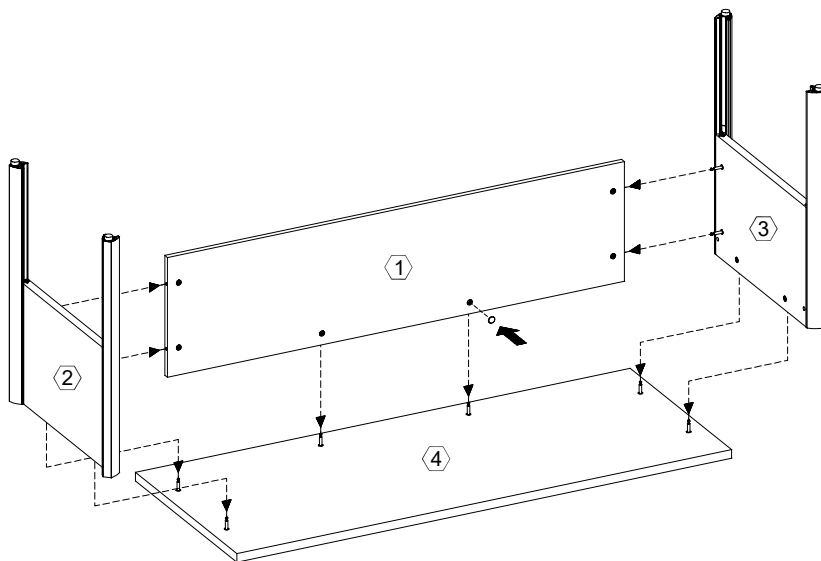
AKATR

QD-B-DU640	QN000001	QD-CAP-000
10-12	4	10-16

- 1.** Lay worksurface upside down on soft surface to protect the top. Insert all 10-12 shoulder screws into the top and end panels. Insert the 4 glides leaving ¼ inch of adjustment.



- 2.** Place back panel (1) in place then ends (2) (3) and then tighten all camlocks (see diagram). Place adhesive cover over visible hardware.



1 Align arrow orientation to insert part

2 Lock

