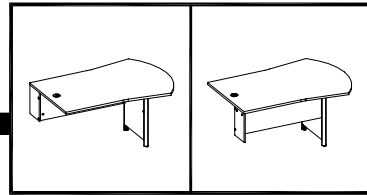




Assembly Instructions

Orenda™ Casegoods

Aluminum Frame Y Return

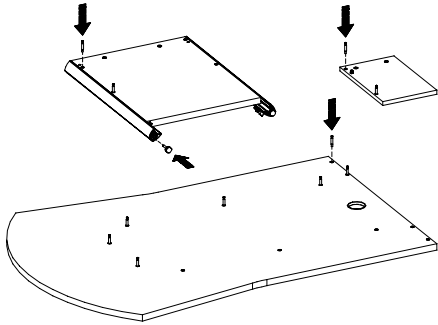


AKARY

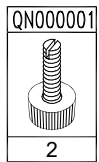
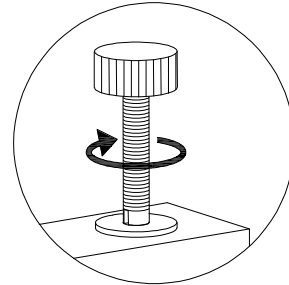
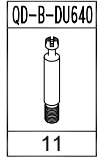
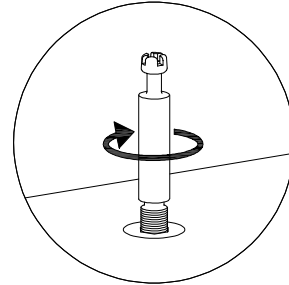
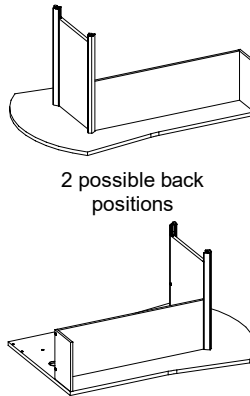
▲ Must be Secured to Another Unit

QD-B-DU640	QN000001	QD-CAP-ODO	FER-PLAQUE	VIS7/8X10TRQ	DIV-COUSSINET-TRA
11	2	17	2	16	2

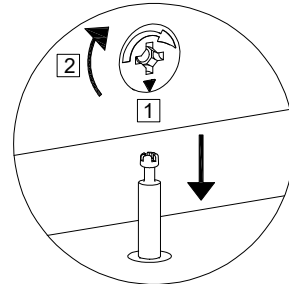
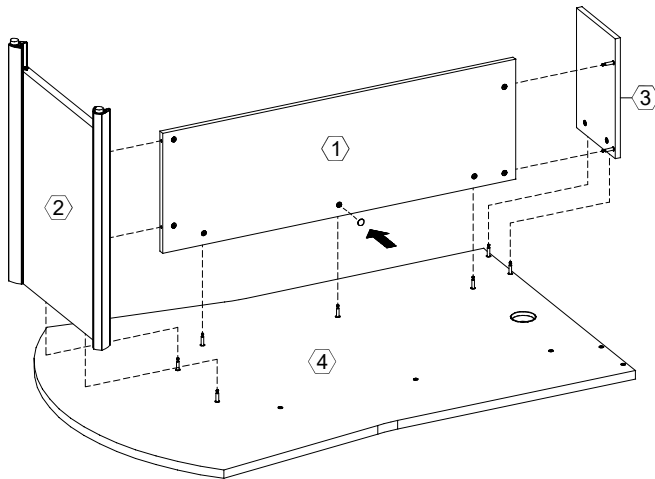
1. Lay worksurface upside down on soft surface to protect the top. Insert all 11 shoulder screws into the top and end panels. Insert the 2 glides leaving 1/4 inch of adjustment.



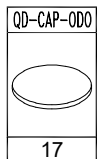
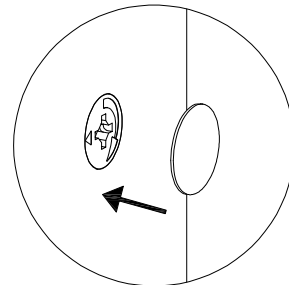
Reversible



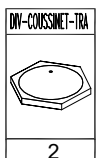
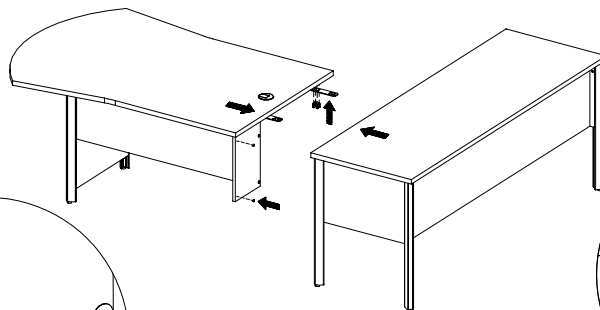
2. Place back panel ① in place then ends ② ③ and then tighten all camlocks (see diagram). Place adhesive cover over visible hardware.



① Align arrow orientation to insert part
② Lock



3. Place the Y return unit next to another furniture unit, install splice plates (see diagram).



This hardware pad will help maintain an even gap.

