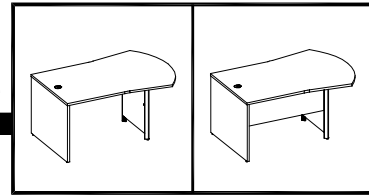





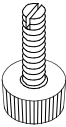

Assembly Instructions

Orenda™ Casegoods

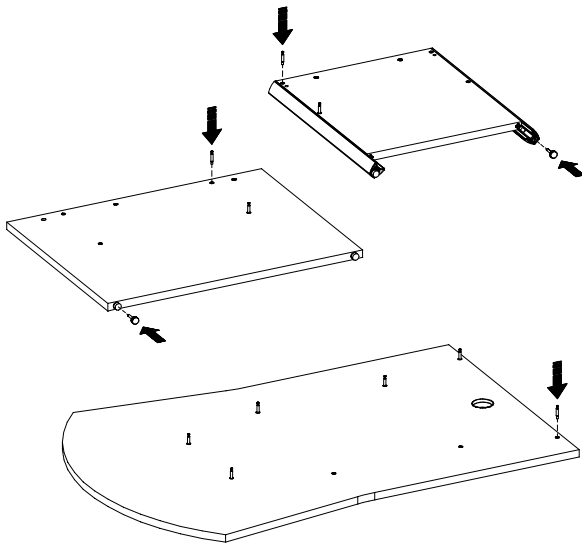
Aluminum Frame Y Table



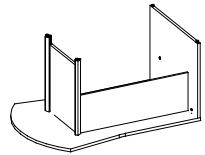
AKATY

QD-B-DU640	QN000001	QD-CAP-000
		
10-11	4	16-17

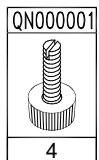
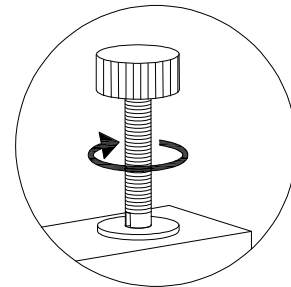
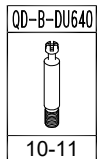
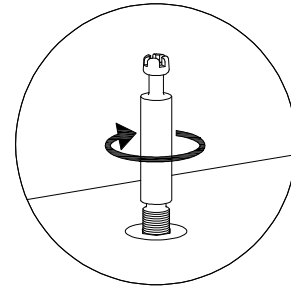
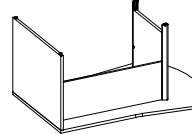
- 1.** Lay worksurface upside down on soft surface to protect the top. Insert all 10-11 shoulder screws into the top and end panels. Insert the 4 glides leaving ¼ inch of adjustment.



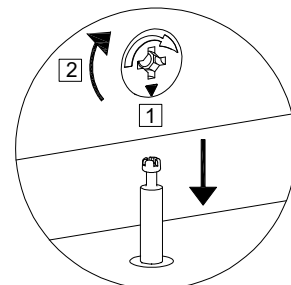
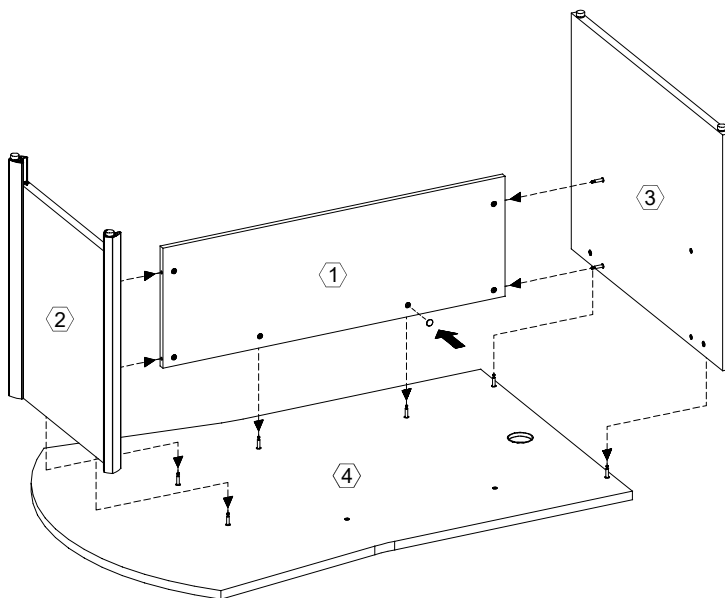
Reversible



2 possible back positions



- 2.** Place back panel ① in place then ends ② ③ and then tighten all camlocks (see diagram). Place adhesive cover over visible hardware.



① Align arrow orientation to insert part

② Lock

