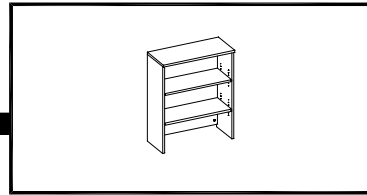








Assembly Instructions

Orenda™ Casegoods

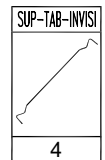
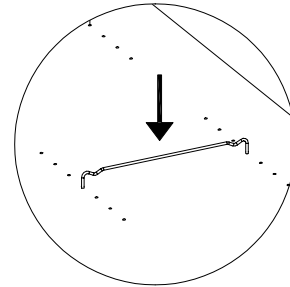
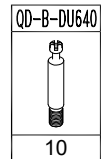
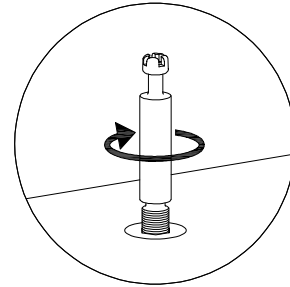
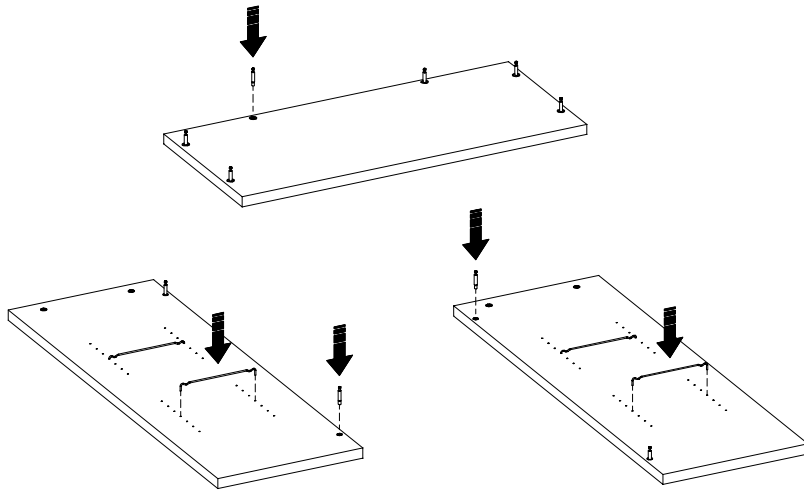
Bookcase Storage Stack On



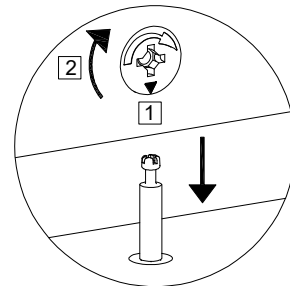
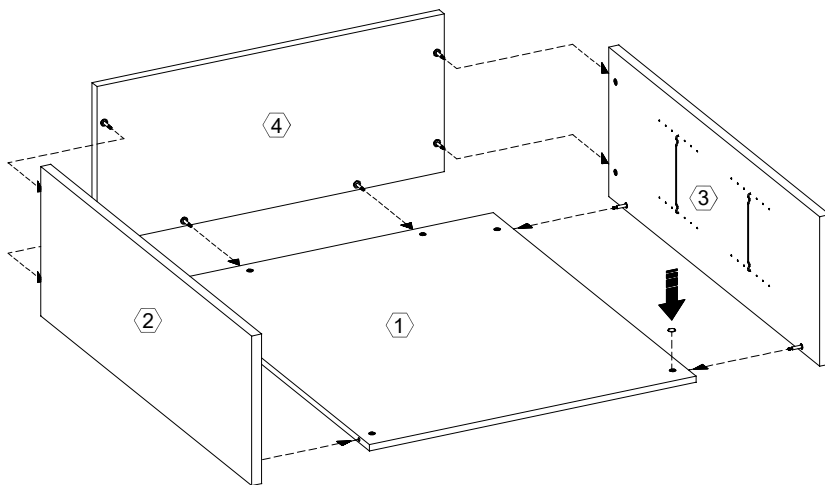
AKSOB

QD-B-DU640	QD-CAP-ODO	RUB-MOUSSE3/4	SUP-TAB-INVISI
			
10	10	2	4

- 1.** Lay worksurface and end panels upside down on soft surface to protect. Insert all 10 shoulder screws into the top and end panels (see diagram). Install the shelf supports at the desired height in the end panels (see diagram).

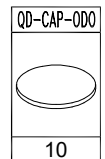
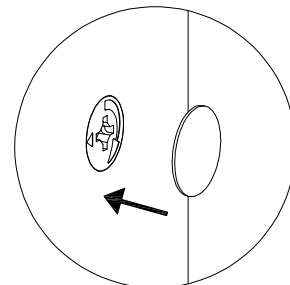


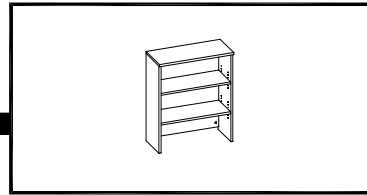
- 2.** Place back panel (1) in place then ends (2), (3) and then tighten all camlocks (see diagram). Place adhesive cover over visible hardware.



1 Align arrow orientation to insert part

2 Lock

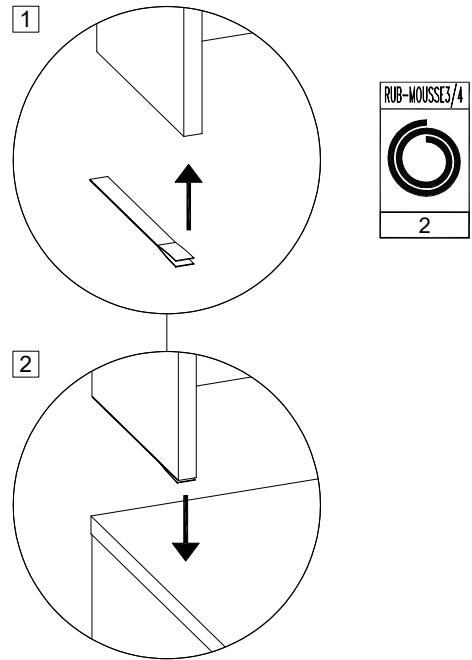
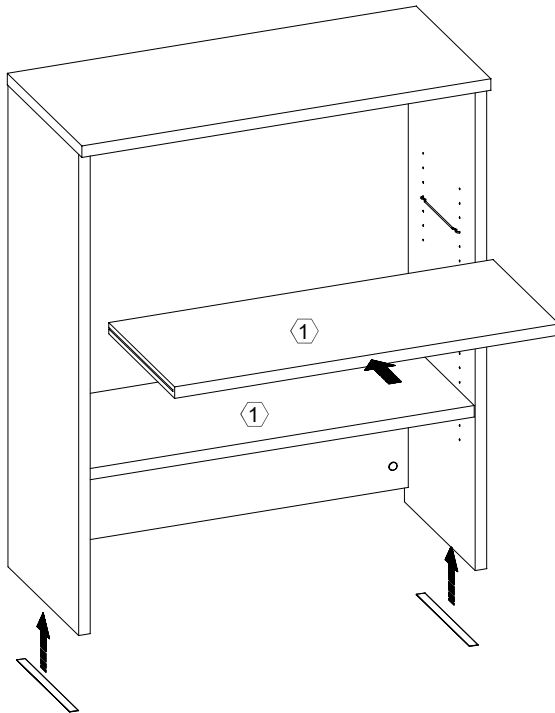




For safety reasons, the adhesive mounting tape supplied must be used when installing the stack on bookcase. This one-time use adhesive mounting tape permanently secures the overhead in position to prevent it from tipping over. Do not remove the tape's protective backing before deciding the stack on bookcase's final position.

Install Stack On Bookcase

Remove tape backing from one side of the foam double-sided tape and stick the foam tape under each side panel of the stack on bookcase [1]. Remove the second tape backing and with careful placement, install the stack on bookcase onto the furniture [2] (see diagram). Install adjustable shelves (1) in the stack on bookcase.



Remove Stack On Bookcase

Remove adjustable shelves (1) before starting. To remove stack on bookcase use a precision knife, insert the blade and cut the mounting tape lengthwise (lift slowly) [1]. To remove mounting tape from the surface, use a scraper [2] (see diagram). To re-install stack on bookcase, use new mounting tape.

