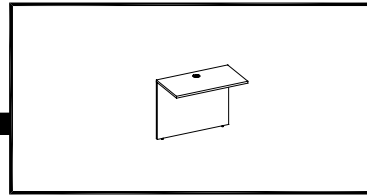




Assembly Instructions

Orenda™ Casegoods

Bridge Return

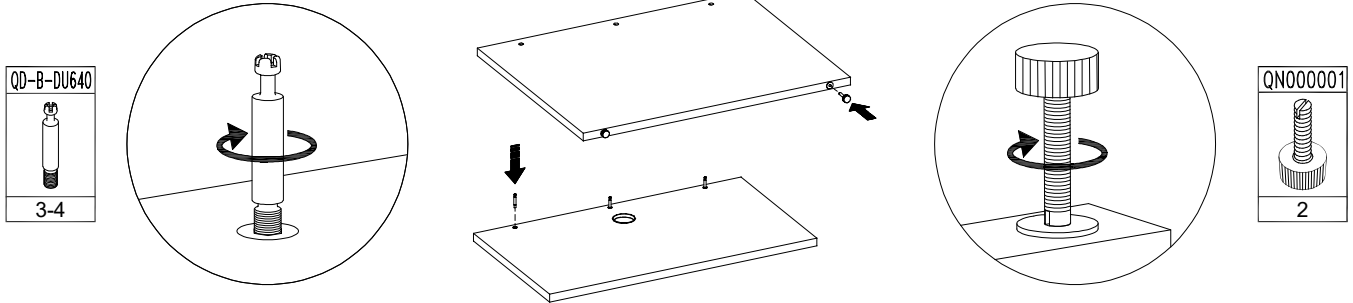


AKBRG

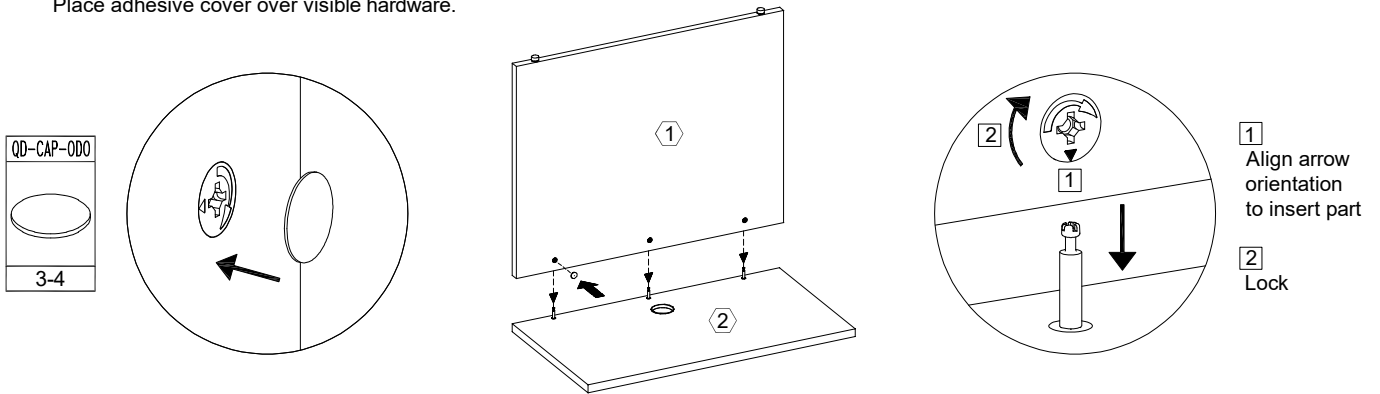
QD-B-DU640	QN000001	QD-CAP-ODO	FER-PLAQUE	VIS7/8X10TRQ	FER838 -NNN	VIS9/16X10TR
3-4	2	3-4	4	32	2	4

▲ Must be Secured to Another Unit

1. Lay worksurface upside down on soft surface to protect the top. Insert the 3-4 shoulder screws into the top. Insert the 2 glides leaving ¼ inch of adjustment.



2. Place back panel ① in place and then tighten all camlocks (see diagram). Place adhesive cover over visible hardware.



3. Place bridge return between other furniture units, then install splice plates and angle brackets (see diagram).

