

Tributaire Café X-Base & Double X-Base Tables

Tributaire Café X-Base & Double X-Base Tables Overview 3

Café X-Base Tables

Low Profile Glide Installation 3
 Node In-Surface Power Module Installation 3
 Tabletop Installation 4
 Node Grommet Installation 5

Café Double X-Base Tables

Low Profile Glide Installation 6
 Node In-Surface Power Module Installation 6
 Tabletop Installation 7
 Power Module Overview 8
 Dean In-Surface Power Module Installation 8
 Dean Undersurface Power Module Installation 9
 Dubbel Undersurface Power Module Installation 9
 Grommet Installation 10
 Node Grommet Installation 10
 Vertical Wire Manager Installation 11

Connections to Power Source

Connections to Power Source - Power Modules with 3-Prong Plug 12

SAVE THESE INSTRUCTIONS

IMPORTANT SAFETY INSTRUCTIONS

When using an electrical furnishing, basic precautions should always be followed, including the following:

Read all instructions before using (this furnishing).

DANGER: To reduce the risk of electric shock:

1. Always unplug this furnishing from the outlet before cleaning or servicing.

WARNING: To reduce the risk of burns, fire, electric shock, or injury to persons:

1. Unplug from outlet before putting on or taking parts off parts.
2. Close supervision is necessary when this furnishing is used by, or near children, invalids, or disabled persons.
3. Use this furnishing only for its intended use as described in these instructions. Do not use attachments not recommended by the manufacturer.
4. Do not use outdoors.
5. **WARNING:** Risk of Electric Shock - Connect this furnishing to a properly grounded outlet only. See Grounding Instructions.
6. **WARNING:** Risk of Electric Shock, Fire, and Injury - Review instructions to confirm all critical components are installed and function safely.

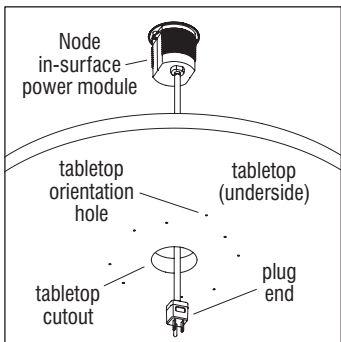
Power Modules with 3-Prong Plug

Electrical Rating: 120V 15 A

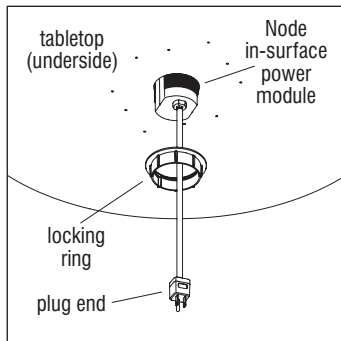
WARNING: Risk of Injury - Maximum Load 4.7 lb per inch width.



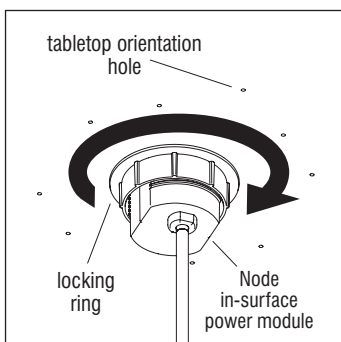
Assemble units as described herein only. To do otherwise may result in instability. All screws, nuts and bolts must be tightened securely and must be checked periodically after assembly. Failure to assemble properly, or to secure parts may result in assembly failure and personal injury.



Detail A - (underside view)



Detail B - (underside view)



Detail C - (underside view)

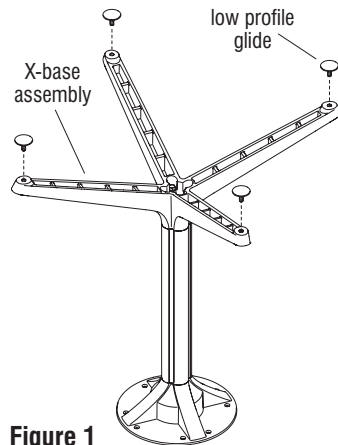


Figure 1

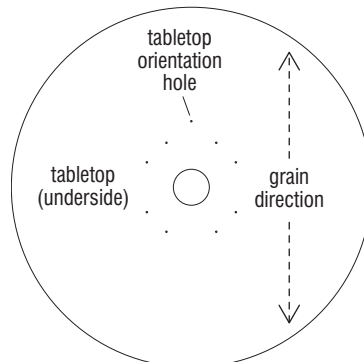


Figure 2 - (bottom view)

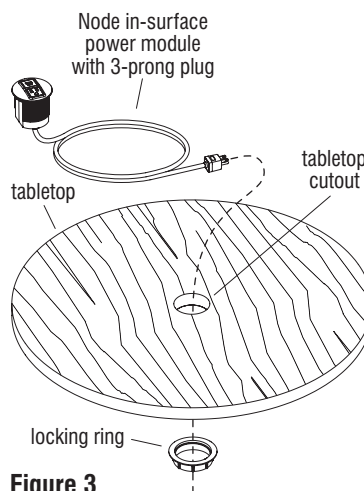


Figure 3

Café X-Base & Double X-Base Tables Overview

Note: Although the figures throughout the café X-base tables instruction illustrate a Tributaire round café X-base table, the instructions apply to all Tributaire café X-base tables. Your configuration may vary.

1. If the table being assembled is a café X-base table, proceed to "Low Profile Glide Installation" instructions on this page, otherwise proceed to "Low Profile Glide Installation" instructions on page 6.

Low Profile Glide Installation

2. Carefully place the X-base assembly upside down on a soft, protective surface (Figure 1).
3. Thread the stem of each glide into a threaded insert at the underside of each foot by hand (Figure 1).

4. If the café X-base table being assembled will have a Node power module installed, proceed to "Node In-Surface Power Module Installation" on this page, otherwise proceed to "Tabletop Installation" instructions on page 2.

Node In-Surface Power Module Installation

Important: The Node in-surface power module must be installed straight, and with consistency to table base direction and/or tabletop grain direction, especially if more than one table is being assembled. A tabletop orientation hole is bored into the underside of the tabletop near the table base hole pattern to aid in power module alignment at installation (Figure 2).

5. Orient the Node in-surface power module as shown and route the plug end down through the tabletop cutout, then press the module into the cutout straight, in the orientation desired (Figure 3 & Detail A).
6. At the underside of the tabletop, take note of the tabletop orientation hole and align the Node in-surface power module straight to it, either at a round side, the flat face, or the bottom side where the cord exits the module. Keeping the module straight to the orientation hole, position the locking ring as illustrated with cord through it, then move the ring up the cord and twist the locking ring onto the module and snug to the tabletop (Figure 3 & Detail B).
7. Assure that the power module is straight as desired on the tabletop, and in relationship to the tabletop orientation hole in the tabletop underside. Hold the power module by hand from underneath, then more completely tighten the locking ring by using a large locking pliers, or a hammer and flat blade screwdriver to tap on a ridge of the ring to rotate and tighten as illustrated (Detail C).



Assemble units as described herein only. To do otherwise may result in instability. All screws, nuts and bolts must be tightened securely and must be checked periodically after assembly. Failure to assemble properly, or to secure parts may result in assembly failure and personal injury.

Node In-Surface Power Module Installation (cont.)

8. Carefully turn the X-base assembly to the upright position on the floor (Figure 4).

Note: When routing the plug end of the Node in-surface power module down through the leg column, the plug may bind in the column. To help the plug end to the bottom of the leg column, twist the cord back and forth while routing the cord down the column. Another method is to run a pulling wire/string down the leg, tape it to the plug end then pull the cord down.

9. With the assistance of a second person, have one person hold the tabletop above the X-base assembly, while the second person inserts the 3-prong plug end of the Node in-surface power module down the hole on top of the spider plate on the X-base assembly. Continue to route the cord down the leg column, while also lowering the tabletop down onto the spider plate, until the 3-prong plug end exits the bottom of the leg column and the tabletop fully rests on top of the spider plate (Figure 4).

10. Proceed to step 12 of the "Tabletop Installation" instructions (Detail D).

Tabletop Installation

11. If the tabletop will receive a Node grommet and/or is not already resting on top of the X-base assembly, carefully turn the X-base assembly to the upright position on the floor, then place the tabletop on top of the spider plate (Figure 5).

12. Align the mounting holes of the spider plate with the mounting holes on the underside of the tabletop and secure together using eight #12 x 1" Phillips flat-head screws (Figure 5 & Detail D).

13. If the café table being assembled contains a Node in-surface power module, proceed to "Connections to Power Source - Power Modules with 3-Prong Plug" instructions

on page 12, otherwise proceed to "Node Grommet Installation" instructions on the next page.

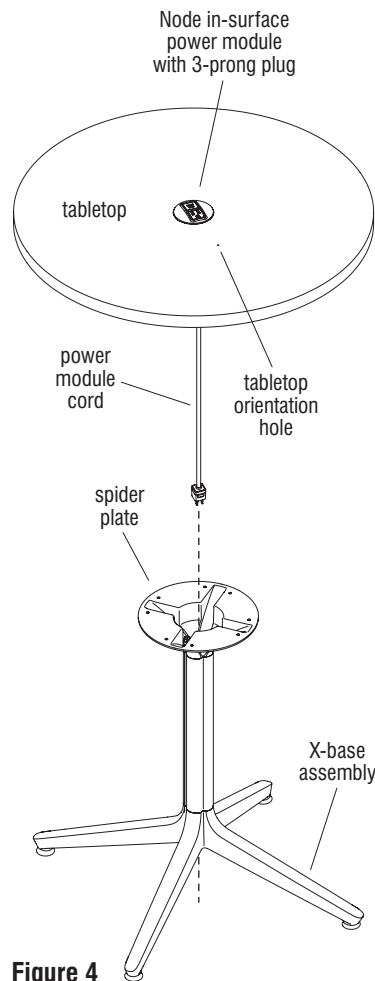


Figure 4

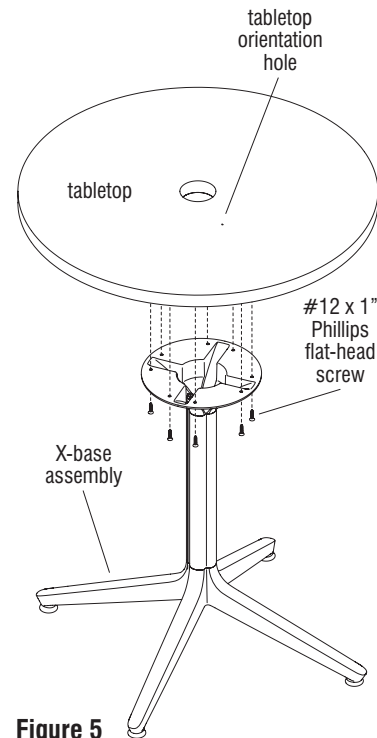
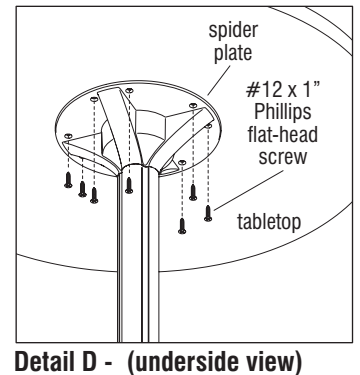


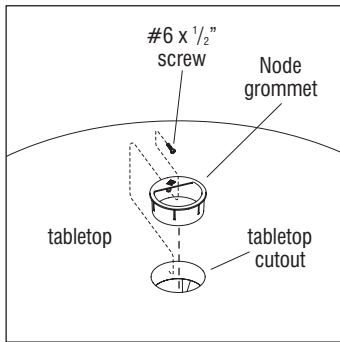
Figure 5



Detail D - (underside view)



Assemble units as described herein only. To do otherwise may result in instability. All screws, nuts and bolts must be tightened securely and must be checked periodically after assembly. Failure to assemble properly, or to secure parts may result in assembly failure and personal injury.



Detail E - Node Grommet

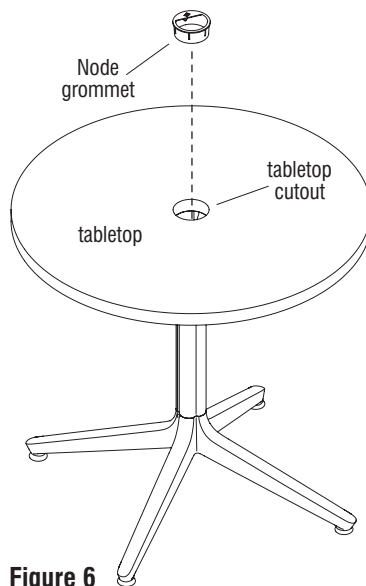


Figure 6

Node Grommet Installation

14. Position the Node grommet above the tabletop cutout as illustrated, and oriented appropriate to grain direction, or base orientation to be consistent with other tables being assembled (Figure 6 & Detail E).
15. Push the grommet into the cutout, tapping lightly with a rubber mallet if required. Use caution to avoid scratching the grommet (Figure 6 & Detail E).
16. Secure the grommet to the tabletop by inserting one #6 x 1/2" screw through the hole on the inside of the module and into the cut edge of the top (Detail E).
17. Move the table to the final location of use.

Tributaire™ Collection - Café Double X-Base Tables
 Assembly Instructions



Assemble units as described herein only. To do otherwise may result in instability. All screws, nuts and bolts must be tightened securely and must be checked periodically after assembly. Failure to assemble properly, or to secure parts may result in assembly failure and personal injury.

Low Profile Glide Installation

1. Carefully place the X-base assemblies upside down on a soft, protective surface (Figure 1).
2. Thread the stem of each glide into a threaded insert at the underside of each foot by hand (Figure 1).
3. If the café double X-base table being assembled will have two Node power modules installed, proceed to "Node In-Surface Power Modules Installation" instructions on this page, otherwise proceed to "Tabletop Installation" instructions on the next page.

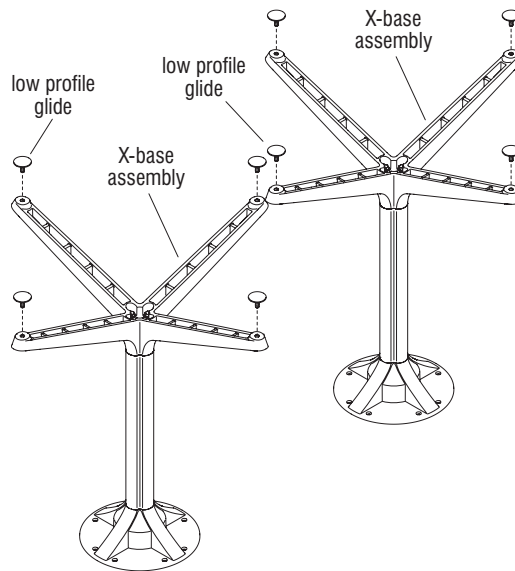


Figure 1

Node In-Surface Power Modules Installation

1. Orient the Node in-surface power modules consistently straight, as shown and route the plug ends down through the tabletop cutouts. Press the modules down completely into the cutouts assuring they are straight, and consistent with each other (Figure 2 & Detail A).
2. At the underside of the tabletop, route the Node in-surface power module plug end through the locking ring opening as illustrated (Detail B).
3. Assure that the power modules are straight as desired on the tabletop. One power module at a time, hold a module by hand from underneath, then more completely tighten the locking ring by using a large locking pliers, or a hammer and flat blade screwdriver to tap on a ridge of the ring to rotate and tighten as illustrated (Detail C).

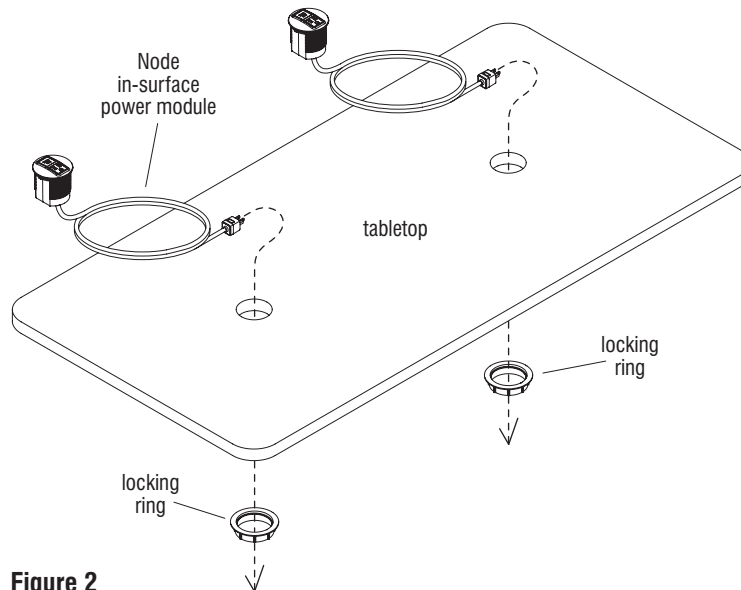
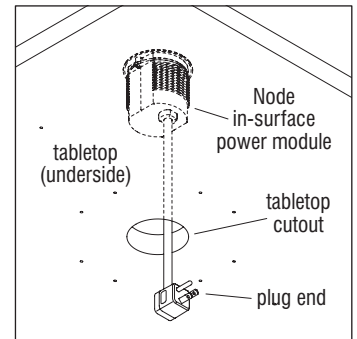
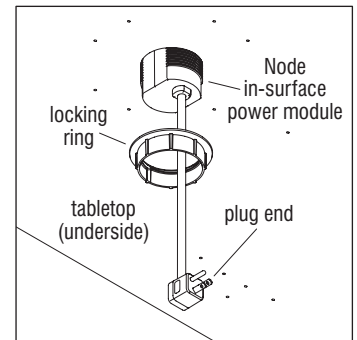


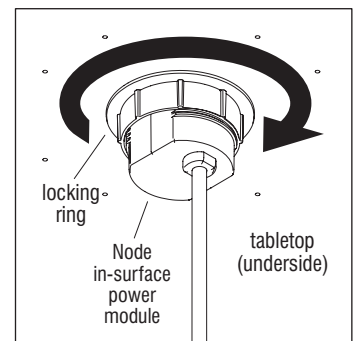
Figure 2



Detail A - (underside view)



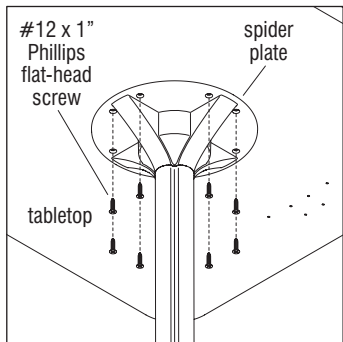
Detail B - (underside view)



Detail C - (underside view)



Assemble units as described herein only. To do otherwise may result in instability. All screws, nuts and bolts must be tightened securely and must be checked periodically after assembly. Failure to assemble properly, or to secure parts may result in assembly failure and personal injury.



Detail D - (underside view)

Node In-Surface Power Module Installation (cont.)

4. Carefully turn both X-base assemblies to the upright position on the floor (Figure 3).

Note: When routing the plug end of the Node in-surface power module down through the leg column, the plug may bind in the column. To help the plug end to the bottom of the leg column, twist the cord back and forth while routing the cord down the column. Another method is to run a pulling wire/string down the leg, tape it to the plug end then pull the cord down.

5. With the assistance of a second person, have one person hold the tabletop above the X-base assemblies, while the second person inserts the 3-prong plug end of the Node in-surface power modules down the hole on top of each spider plate on the X-base assemblies. Continue to route the cord down each leg column, while also lowering the tabletop down onto the spider plates, until both 3-prong plug ends exit the bottom of the leg columns and the tabletop fully rests on top of the spider plate (Figure 3).

6. Proceed to step 8 of the "Tabletop Installation" instructions (Detail D).

Tabletop Installation

7. If the tabletop will receive Node grommets, a Dean or Dubbel power

module, and/or is not already resting on top of the X-base assembly, carefully turn the X-base assembly to the upright position on the floor, then place the tabletop on top of the spider plates (Figure 4).

8. Align the mounting holes of the spider plates with the mounting holes on the underside of the tabletop and secure together using eight #12 x 1" Phillips flat-head screws per plate (Figure 4 & Detail D).

9. If the café double X-base table being assembled contains Node in-surface power modules, proceed to "Connections to Power Source - Power Modules with 3-Prong Plug" instructions on page 12, otherwise proceed to "Power Module Overview" instructions on the next page, or "Node Grommet Installation" instructions on page 10.

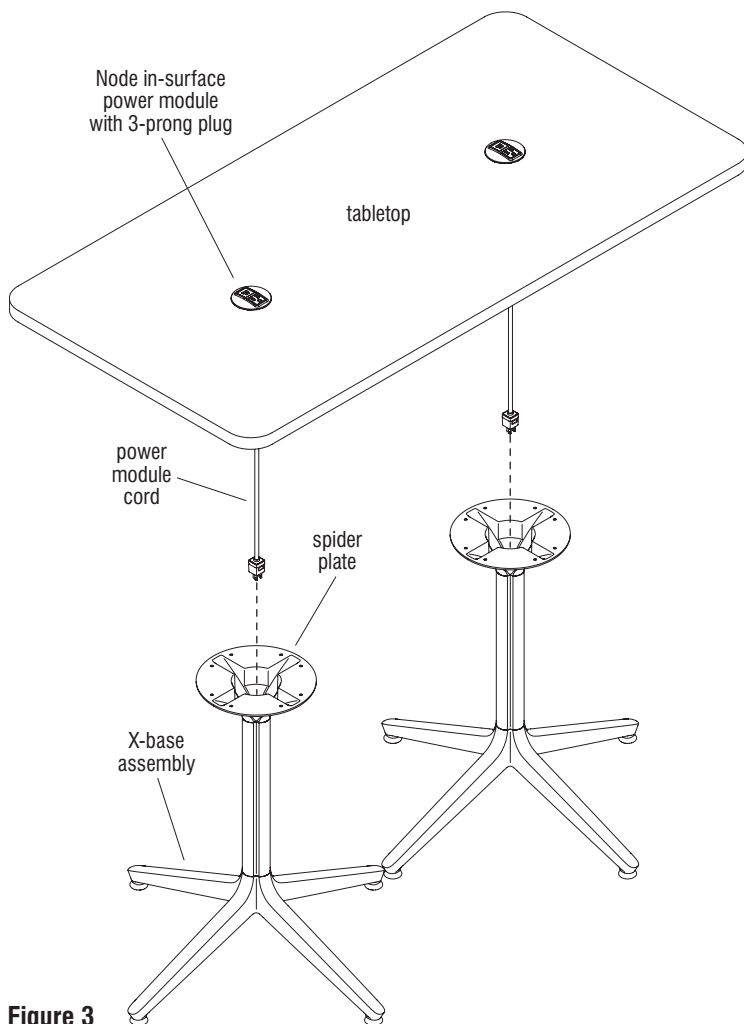


Figure 3

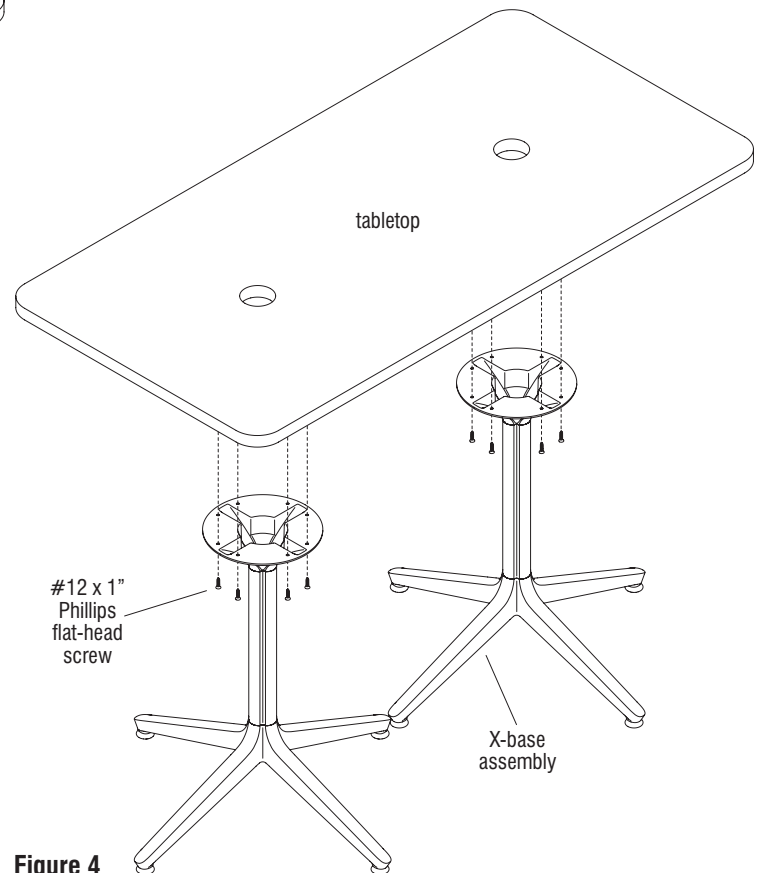


Figure 4



Assemble units as described herein only. To do otherwise may result in instability. All screws, nuts and bolts must be tightened securely and must be checked periodically after assembly. Failure to assemble properly, or to secure parts may result in assembly failure and personal injury.

Power Module Overview

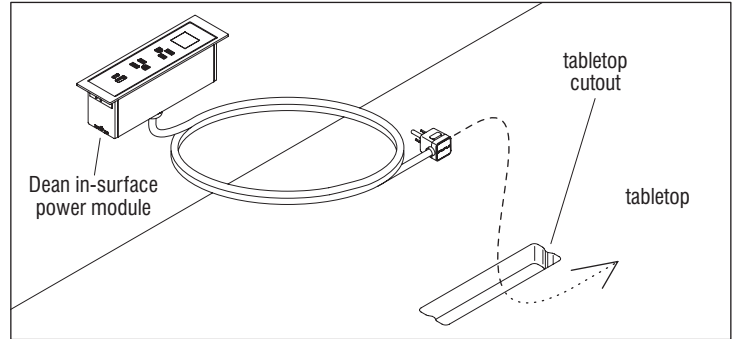
Note: If the Tributaire double X-base table being assembled requires a power module (except Node power modules), reference the following sections below based on the power module your table requires: Reference page 8 for Dean in-surface power module, page 9 for Dean undersurface power module, or page 9 for Dubbel undersurface power module.

Note: Depending on style of data jack used, it may be necessary to route the phone/data cord through the module grommet opening and data plate to install. Each installation may vary.

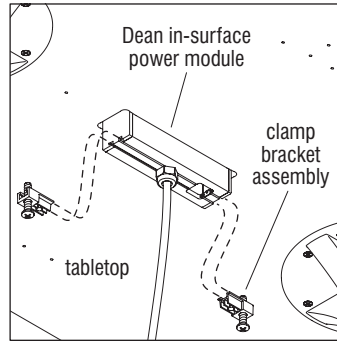
6. Proceed to "Vertical Wire Manager Installation" instructions on page 11.

Dean® In-Surface Power Module Installation

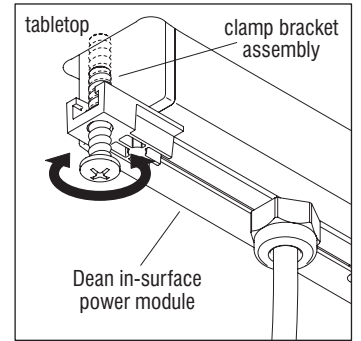
1. With the assembled table in the upright position, orient the Dean in-surface power module as shown and route the plug end down through the cutout in the tabletop. Press the module down firmly into the cutout (Figure 5 & Detail A).
 2. At the underside of the Dean in-surface power module, at each end are two horizontal channels which the clamp bracket assemblies slide into. Position each clamp bracket so the screws are oriented away from the power module, as illustrated in Detail B. Insert a clamp bracket into the two channels on each end of the power module, sliding each in until the top bracket is completely engaged with the channel (Detail C).
 3. Using the screws on the clamp bracket assembly, tighten the screws to the tabletop underside to secure the Dean in-surface power module in place to the tabletop (Detail C).
 4. Select the appropriate data plate adapter for the phone/data jack to be used and carefully remove from injection molded tree (Detail D).
- Note:** Jacks are sold by separate companies and are not supplied with the module.
5. Wire the jack appropriately to the data plate and snap the data plate assembly into the module grommet opening as shown (Detail E).



Detail A



Detail B - (underside view)



Detail C - (underside view)

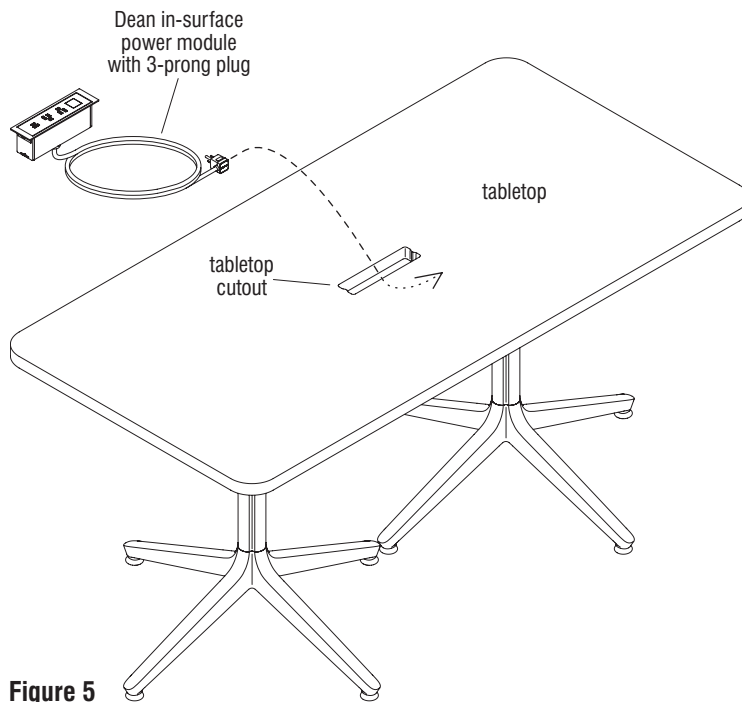
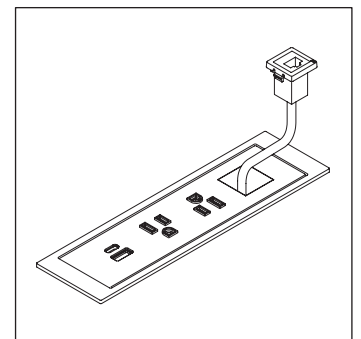


Figure 5

Data Adapter Plates	
BBB	L-Com Keystone Modular, NETCONNECT and 110 Connect Series Modular Jack, Siemon ZMAX Style, Allen Tel Versa Tap Series, Leviton Quick Port Series, Belden REVConnect, HDMI Adapter Cable.
CCC	Hubbell Nextspeed Keystone Series, ADC Truenet Series
DDD	Blank (no coupler/jack)
EEE	Ortronics Tracjack Series
FFF	Panduit Mini-Com Series
HHH	Video Monitor Jack/DB-15

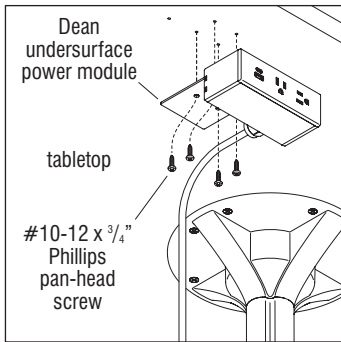
Detail D



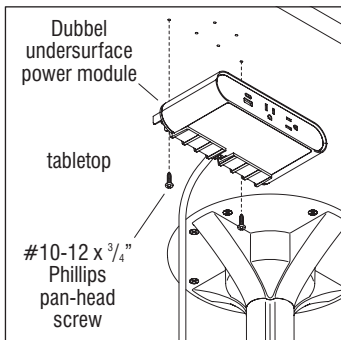
Detail E



Assemble units as described herein only. To do otherwise may result in instability. All screws, nuts and bolts must be tightened securely and must be checked periodically after assembly. Failure to assemble properly, or to secure parts may result in assembly failure and personal injury.



Detail F - (underside view)



Detail G - (underside view)

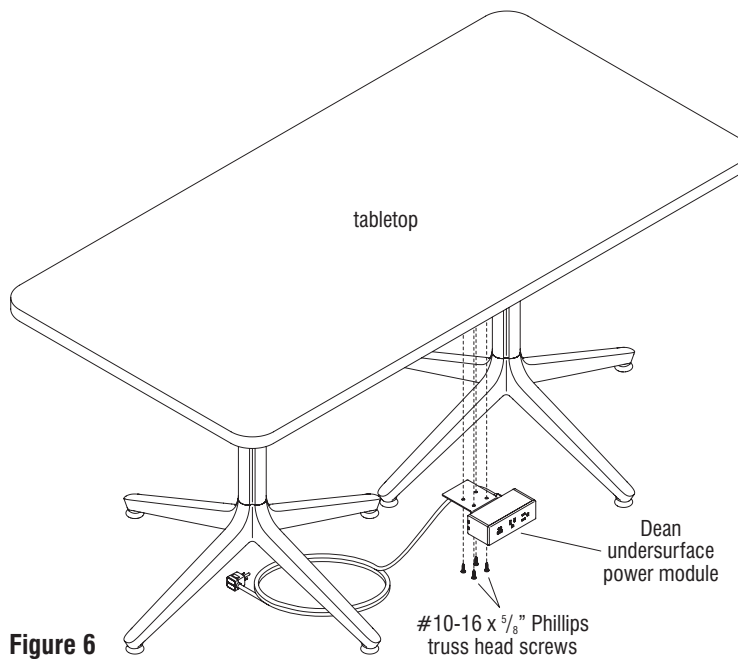


Figure 6

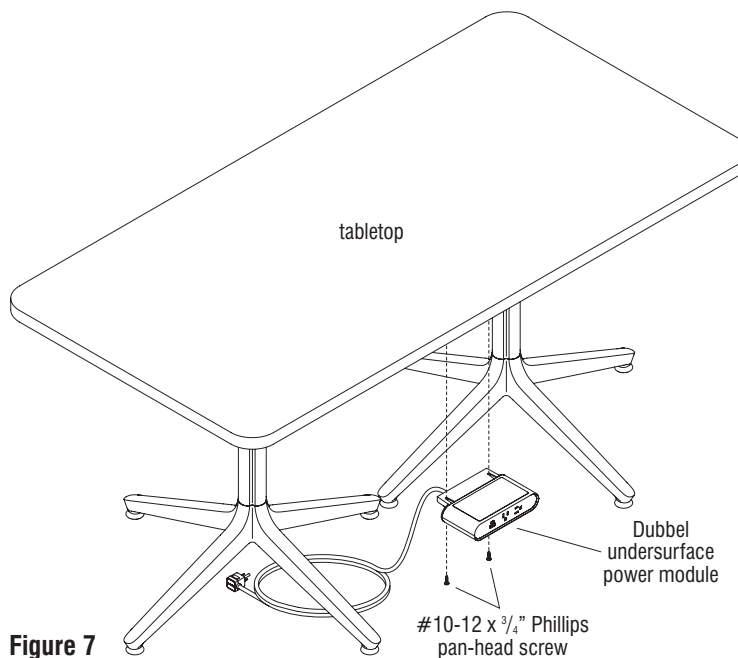


Figure 7

Dean® Undersurface Power Module Installation

1. With the assembled table in the upright position, align the mounting holes of the Dean undersurface power module with one of the four sets of Dean pre-drilled mounting hole locations underneath the tabletop. Secure the Dean power module to the tabletop using four #10-12 x 3/4" Phillips pan head screws (Figure 6 & Detail F).
2. Proceed to "Vertical Wire Manager Installation" instructions on page 11.

Dubbel Undersurface Power Module Installation

1. With the assembled table in the upright position, align the mounting holes of the Dubbel undersurface power module with one of the four sets of Dubbel pre-drilled mounting hole locations underneath the tabletop. Secure the Dubbel power module to the tabletop using two #10-12 x 3/4" Phillips pan head screws (Figure 7 & Detail G).
2. Proceed to "Vertical Wire Manager Installation" instructions on page 11.

■ Tributaire™ Collection - Café Double X-Base Tables

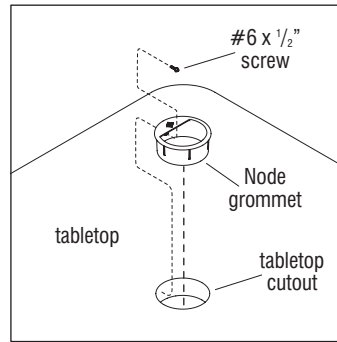
Assembly Instructions



Assemble units as described herein only. To do otherwise may result in instability. All screws, nuts and bolts must be tightened securely and must be checked periodically after assembly. Failure to assemble properly, or to secure parts may result in assembly failure and personal injury.

Node Grommet Installation

1. Position the Node grommets above the tabletop cutouts as illustrated (Figure 8 & Detail H).
2. Push the grommets into the cutouts, tapping lightly with a rubber mallet if required. Use caution to avoid scratching the grommets (Figure 8 & Detail H).
3. Secure each grommet to the tabletop by inserting one #6 x 1/2" screw through the hole on the inside of the module into the cut edge of the top (Detail H).
4. Move the table to the final location of use.



Detail H - Node Grommet

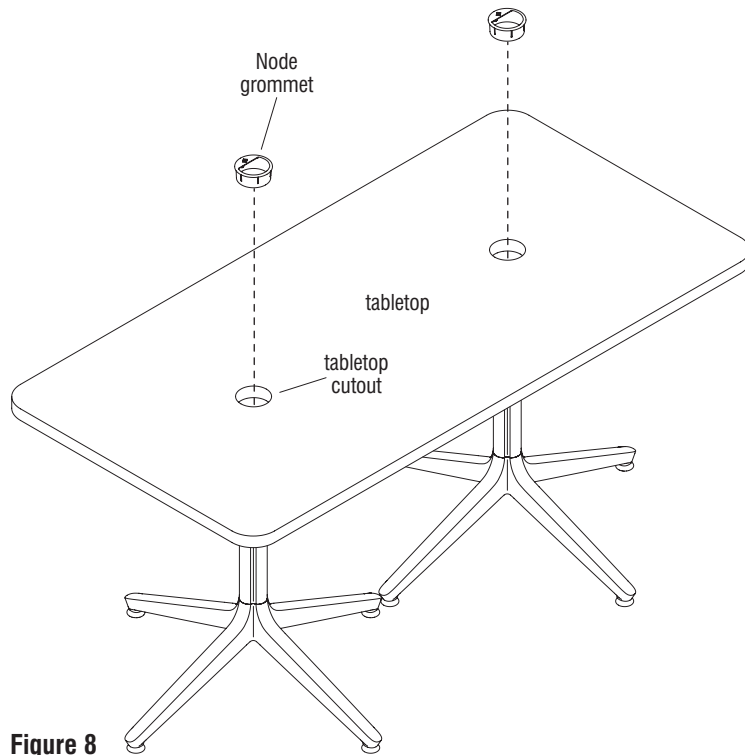
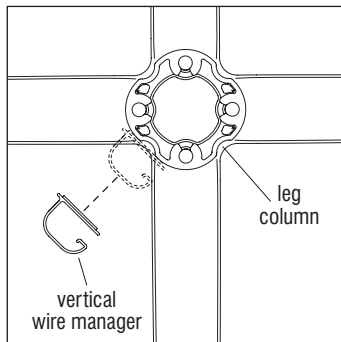


Figure 8



Assemble units as described herein only. To do otherwise may result in instability. All screws, nuts and bolts must be tightened securely and must be checked periodically after assembly. Failure to assemble properly, or to secure parts may result in assembly failure and personal injury.



Detail I - (top view)

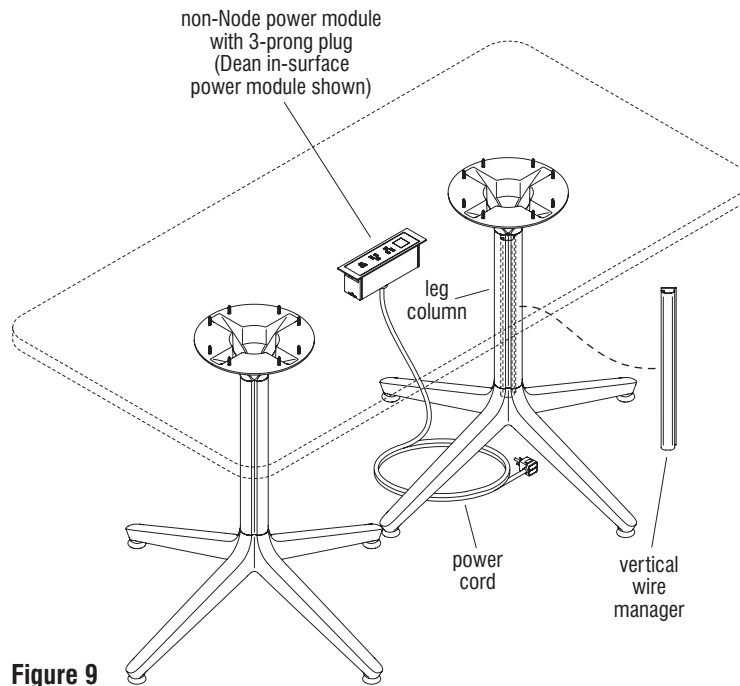


Figure 9

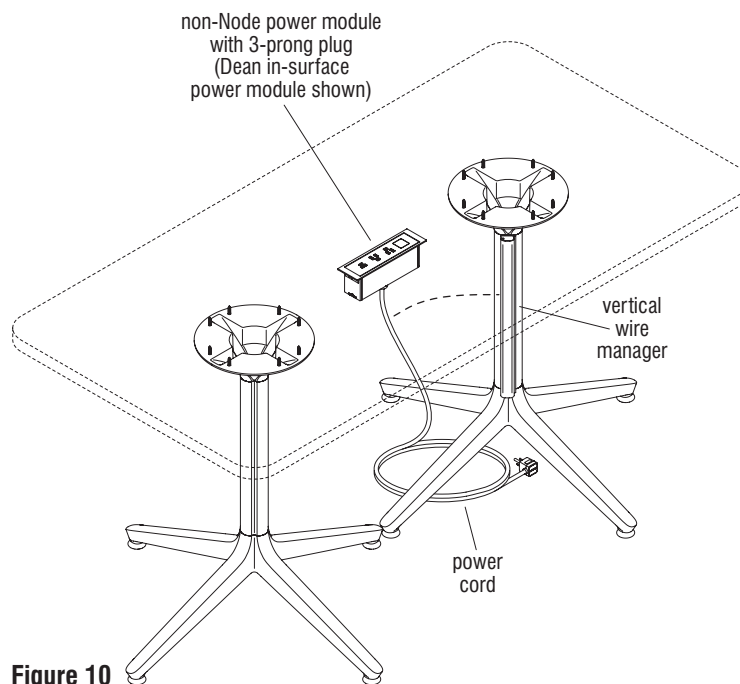


Figure 10

Vertical Wire Manager Installation

Note: Vertical wire managers cannot adhere to the round surface on the leg column and must be positioned on the leg column in between the feet (Detail I).

1. Position the vertical wire manager in the desired location against the leg column and as illustrated, in between the feet, which is closest to a power source. Align the vertical wire manager centered, straight along the leg, and flush with the bottom of the leg column. Then mark the location of the wire manager and move the unit away (Figure 9 & Detail I).
2. Remove the adhesive backing from the vertical wire manager to expose the adhesive surface. Position the wire manager back to the marked location, centered on the leg, and press firmly along the adhesive area (Figure 9 & Detail I).
3. Insert the power module cord into the wire manager (Figure 10).
4. Proceed to "Connections to Power Source - Power Modules with 3-Prong Plug" instructions on the next page.

■ Tributaire™ Collection - Café X-Base & Double X-Base Tables

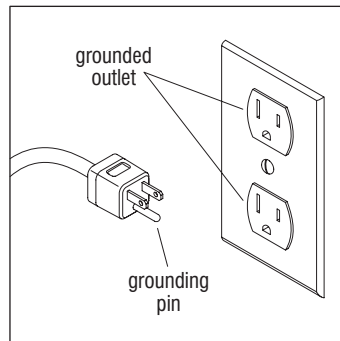
Assembly Instructions



Assemble units as described herein only. To do otherwise may result in instability. All screws, nuts and bolts must be tightened securely and must be checked periodically after assembly. Failure to assemble properly, or to secure parts may result in assembly failure and personal injury.

Connections to Power Source - Power Modules with 3-Prong Plug

1. Place tables at their final location (Figures 1 & 2).
2. Plug the power module into an outlet only after all other components have been installed.



Detail A

GROUNDING INSTRUCTIONS

This product is for use on a nominal 120-volt circuit and has a grounding plug that looks like the plug illustrated in Detail A. Make sure that the product is connected to an outlet having the same configuration as the plug. No adapter should be used with this product.

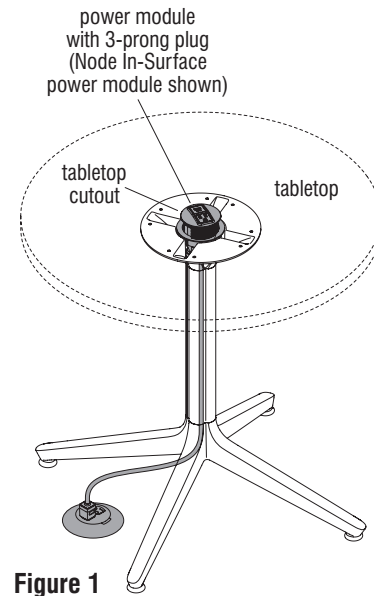


Figure 1

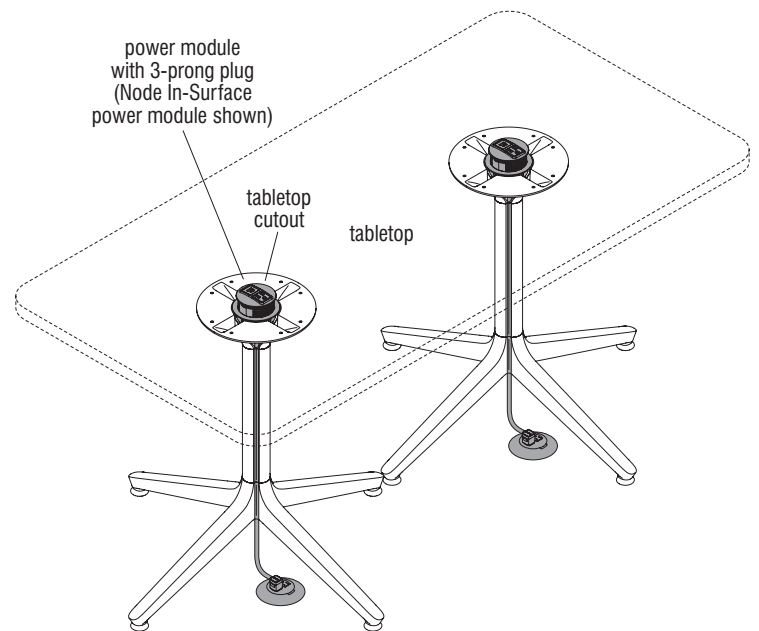


Figure 2

■ **Tributaire™ Collection - Café X-Base & Double X-Base Tables**
Assembly Instructions

KI
1330 Bellevue Street
Green Bay, Wisconsin 54302
1-800-424-2432
www.ki.com

KI is a registered trademark
of Krueger International, Inc.

© 2024 Krueger International, Inc.
All Rights Reserved
Code KI-AI-000128R2/KI/PDF/1124

