

May 2025



Tributaire Collection

Introduction

Tributaire Collection Statement of Line.....	5
--	---

Training Tables

Product Overview.....	7
Tables.....	8
Bases.....	8
Tabletops.....	9
Edge Styles.....	9
Tabletop Cutouts.....	9
Castes & Glides.....	10
Planning Guidelines.....	10
Base Height Options.....	10
Nesting Footprint Calculations.....	11
Undersurface Clearance.....	12
Ganging.....	13
Modesty Panels.....	15
Wire Management.....	17
Electrical.....	20
Electrical System Overview.....	20
Electrical Components.....	21
Pattern Electrical.....	22
Pattern Power Infeed Kits.....	24
Pattern Power Distribution Blocks.....	25
Pattern Table-to-Table Power Jumper Kits.....	26
Planning with Pattern Electrical.....	28
Sample Power Layouts.....	30
Dimensions.....	32
Fixed-Height Training Tables - Fixed-Top Base.....	32
Fixed-Height Training Tables - Nesting-Top Base.....	35
Fixed-Height Single-Circuit Training Tables - Fixed-Top Base....	39
Fixed-Height Single-Circuit Training Tables - Nesting-Top Base	42
Adjustable-Height Training Tables - Fixed-Top Base.....	45
Adjustable-Height Training Tables - Nesting-Top Base.....	46
Fixed-Height Collaborative Training Tables - Fixed-Top Base..	48
Fixed-Height Collaborative Training Tables - Nesting-Top Base .	49

Statement of Line.....	50
Fixed-Height Training Tables - Fixed-Top Base.....	50
Fixed-Height Training Tables - Nesting-Top Base.....	51
Fixed-Height Single-Circuit Training Tables - Fixed-Top Base....	52
Fixed-Height Single-Circuit Training Tables - Nesting-Top Base.	52
Adjustable-Height Training Tables - Fixed-Top Base.....	53
Adjustable-Height Training Tables - Nesting-Top Base.....	53
Fixed-Height Collaborative Training Tables - Fixed-Top Base..	53
Fixed-Height Collaborative Training Tables - Nesting-Top Base .	53

Post-Leg Tables

Product Overview.....	54
Tabletops.....	55
Edge Styles.....	55
Tabletop Cutouts.....	56
Castes & Glides.....	56
Planning Guidelines.....	57
Base Heights.....	57
Undersurface Clearance.....	57
Ganging.....	58
Modesty Panels.....	60
Wire Management.....	62
Electrical.....	65
Electrical System Overview.....	65
Electrical Components.....	66
Pattern Electrical.....	67
Pattern Power Infeed Kits.....	69
Pattern Power Distribution Blocks.....	70
Pattern Table-to-Table Power Jumper Kits.....	71
Planning with Pattern Electrical.....	73
Sample Power Layouts.....	75
Dimensions.....	77
Rectangular Post-Leg Tables.....	77
Round Post-Leg Tables.....	89
Square Post-Leg Tables.....	91
Rounded Square Post-Leg Tables.....	95
Half-Rounded Square Post-Leg Tables.....	97

Post-Leg Tables (cont.)

D-Shaped Post-Leg Tables..... 99
 Sprocket Post-Leg Tables..... 101
 Boat Post-Leg Tables 104
 Pill Post-Leg Tables 108
 Rectangular Single-Circuit Post-Leg Tables..... 112
 Boat Single-Circuit Post-Leg Tables 124
 Pill Single-Circuit Post-Leg Tables 128
 Statement of Line 132
 Rectangular Post-Leg Tables..... 132
 Round Post-Leg Tables 133
 Square Post-Leg Tables 133
 Rounded Square Post-Leg Tables..... 133
 Half-Rounded Square Post-Leg Tables..... 134
 D-Shaped Post-Leg Tables..... 134
 Sprocket Post-Leg Tables..... 134
 Boat Post-Leg Tables 135
 Pill Post-Leg Tables 135
 Rectangular Single-Circuit Post-Leg Tables..... 136
 Boat Single-Circuit Post-Leg Tables 137
 Pill Single-Circuit Post-Leg Tables 137

Conference Tables

Product Overview 138
 Tabletops..... 139
 Edge Styles 139
 Tabletop Cutouts 140
 Bases 140
 Glides..... 141
 Wire Management 141
 Electrical 142
 Electrical System Overview 142
 Electrical Components 143
 Pattern Electrical 144
 Pattern Power Infeed Kits 145
 Pattern Power Distribution Blocks..... 146
 Planning with Pattern Electrical..... 146
 Sample Power Layouts..... 147

Dimensions..... 148
 Rectangular Conference Tables 148
 Boat Conference Tables..... 152
 Pill Conference Tables..... 156
 Rectangular Single-Circuit Post-Leg Tables..... 160
 Boat Single-Circuit Post-Leg Tables 163
 Pill Single-Circuit Post-Leg Tables 166
 Statement of Line 169
 Rectangular Conference Tables 169
 Boat Conference Tables..... 170
 Pill Conference Tables..... 171
 Rectangular Conference Single-Circuit Tables 172
 Boat Conference Single-Circuit Tables..... 173
 Pill Conference Single-Circuit Tables..... 174

Café Tables

Product Overview 175
 Tabletops..... 176
 Edge Styles 176
 Tabletop Cutouts 176
 Casters & Glides 177
 Wire Management 177
 Electrical 178
 Electrical System Overview 178
 Electrical Components 179
 Dimensions..... 180
 Round X-Base Café Tables 180
 Square X-Base Café Tables 180
 Rounded Square X-Base Café Tables 181
 Round C-Leg Base Café Tables 182
 Square C-Leg Base Café Tables 183
 Rounded Square C-Leg Base Café Tables 184
 Rectangle Double X-Base Café Tables..... 185
 Statement of Line 186
 Round X-Base Café Tables 186
 Square X-Base Café Tables - 186
 Rounded X-Base Square Café Tables 186
 C-Leg Base Café Tables 186
 Rectangular Double X-Base Café Tables..... 187

Occasional Tables

Product Overview 188
 Tabletops..... 189
 Edge Styles 189
 Tabletop Cutouts 190
 Glides..... 190
 Electrical 191
 Electrical System Overview 191
 Electrical Components 191
 Dimensions..... 192
 Round X-Base Occasional Tables..... 192
 Square X-Base Occasional Tables 192
 Rounded Square X-Base Occasional Tables 192
 Rectangular C-Leg Base Occasional Tables..... 192
 Boat C-Leg Base Occasional Tables 193
 Pill C-Leg Base Occasional Tables 193
 Statement of Line 193
 X-Base Occasional Tables 193
 C-Leg Base Occasional Tables 193

Nesting Screens

Product Overview 194
 Screen Panel Inserts..... 195
 Casters & Glides 196
 Accessories..... 196
 Dimensions..... 197
 Nesting Screen Sizes..... 197
 Nesting Footprint Calculation..... 198
 Statement of Line 199

Lecterns

Product Overview 200
 Lectern Upright 200
 Worktop & Support Platform..... 201
 Casters & Telescopic Glides..... 201
 Storage Cabinet..... 202
 Accessories..... 203
 Ganging 204
 Modesty Panels..... 205
 Wire Management 206

Electrical 206
 Electrical System Overview 206
 Electrical Components 206
 Dimensions..... 207
 Lecterns without Storage..... 207
 Lecterns with Storage..... 208
 Statement of Line 210
 Lecterns without Storage..... 210
 Lecterns with Storage..... 210

Monitor Stands, Storage Screens & Credenzas

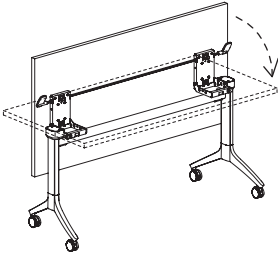
Product Overview 211
 Screen Insert Material & Combinations 212
 Casters & Telescopic Glides..... 213
 Storage Cabinet Front & Back Combinations 213
 Storage Cabinet Features 214
 Ganging 216
 Wire Management 217
 Electrical 218
 Electrical System Overview 218
 Electrical Components 218
 Dimensions..... 219
 Monitor Stand & Storage Screen..... 219
 Credenza 219
 Statement of Line 220
 Monitor Stand 220
 Storage Screen..... 223
 Credenza 226

**Tirbutaire
 Collection
 Statement of Line**

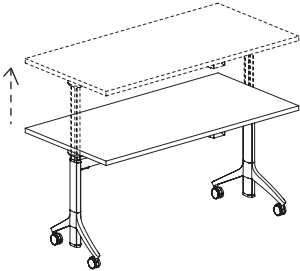
Training Tables



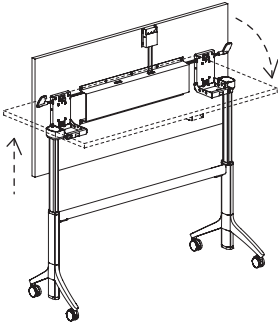
Fixed-Height Training Tables
 Fixed-Top Base



Fixed-Height Training Tables
 Nesting-Top Base

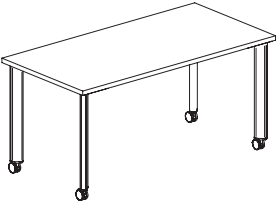


Adjustable-Height Training Tables
 Fixed-Top Base

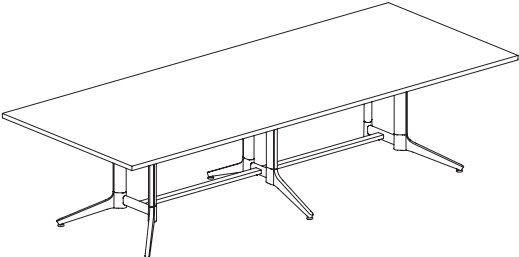


Adjustable-Height Training Tables
 Nesting-Top Base

Miscellaneous Tables



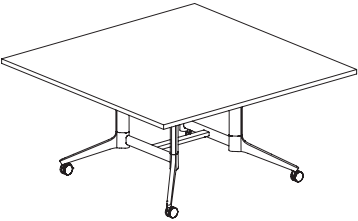
Post-Leg Tables



Conference Tables



Café Tables
 X-Base



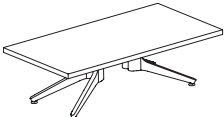
Café Tables
 C-Leg Base



Café Tables
 Double X-Base



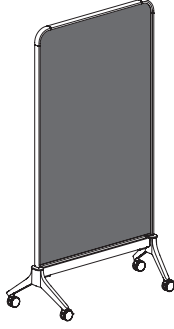
Occasional Tables
 X-Base



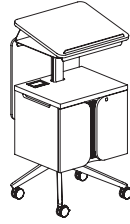
Occasional Tables
 C-Leg Base

**Tirbutaire
Collection
Statement of Line
(cont.)**

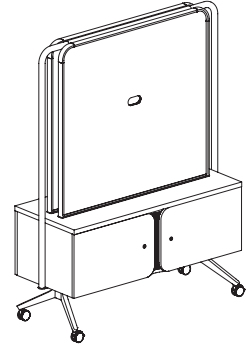
Complimentary Pieces



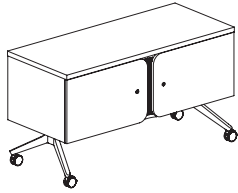
Nesting Screens



Lecterns



Monitor Stands &
Storage Screens



Credenza

Training Tables

Product Overview

Training Table Models

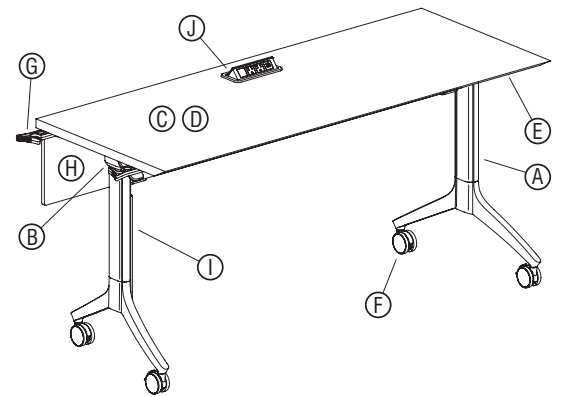
Tributaire training tables are available in fixed- and adjustable-height versions with fixed- or nesting-top bases:

- Fixed-height / fixed-top base.
- Fixed-height / nesting-top base.
- Pneumatic-adjustable height / fixed-top base.
- Pneumatic-adjustable height / nesting-top base.
- Screw-adjustable height / fixed-top base.
- Screw-adjustable height / nesting-top base.

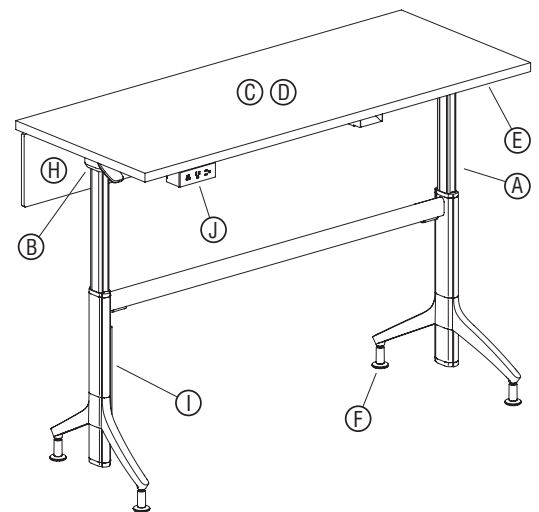
Training Table Features

Tributaire table features can be configured or are standard, to include:

- A. Table height options (page 8).
- B. Base options (page 8).
- C. Tabletop shape & size (page 9).
- D. Tabletop laminate grades.
- E. Tabletop edge styles (page 9).
- F. Caster & glide options (page 10).
- G. Ganging (page 13).
- H. Modesty panel (page 15).
- I. Wire management (page 17).
- J. Electrical options (page 20).



(model TJHLA2460-KN shown)



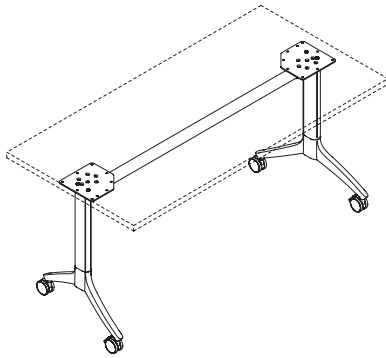
(model TJHNA2460-KN shown)

	Fixed-Top Base		Nesting-Top Base	
	Fixed-Height Table	Adjustable-Height Table	Fixed-Height Table	Adjustable-Height Table
Base Height				
29", 36", 42" Fixed-Height Options	•		•	
Screw Adjustable-Height		•		•
Pneumatic Adjustable-Height		•		•
Tabletop Shape				
Rectangle	•	•	•	•
Round			•	
Half-Round			•	
Collaborative Rectangle	•*		•	
Features				
Casters or Glides	•	•	•	•
Pattern Electrical System	•*		•*	
Power Modules with 3-Prong Plug	•	•	•	•
Ganging	•*		•*	
Modesty Panels	•		•*	

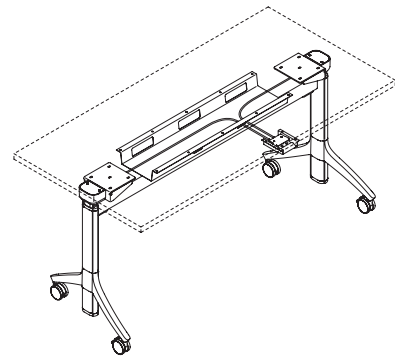
*Feature is only available on certain models.

Tables

Fixed-Height Table: A solution that supports learning, creating a consistent design aesthetic throughout a space. Fixed bases come with T-leg design in three fixed height options: 29, 36, and 42" and are available with a fixed or nesting top.

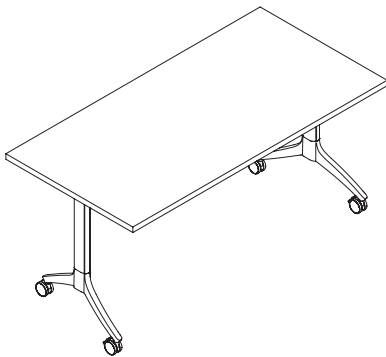


Adjustable-Height Table: A T-leg solution that provides flexibility in table height with either pneumatic- or screw-adjustable options. Pneumatic adjustment is toolless and provides user control. Screw-adjustable requires tools and is usually facilities adjusted. Adjustable-height tables are available in fixed- or nesting-top.

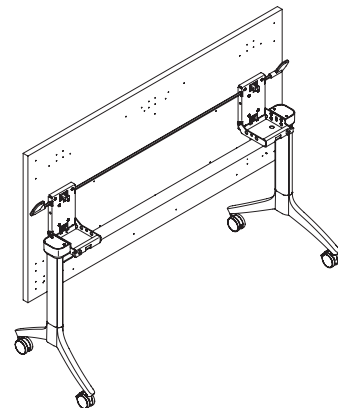


Bases

Fixed-Top Base: A T-leg solution with either fixed-height or adjustable-height base in which the top remains static. This solution supports applications where tables are not stored in between use. This top option is available on both fixed-height and adjustable-height base options.



Nesting-Top Base: A solution that supports flexibility and reconfiguration within the space. T-leg tables with tops that rotate up to create a leg-within-leg nesting solution which decreases floor space needed for storage. This top option is available on both fixed-height and adjustable-height base options.

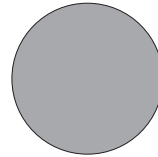


Tabletops

Tributaire training tabletops are offered in various shapes, sizes and features. Available features vary based on individual models.



Rectangular

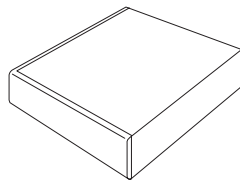


Round

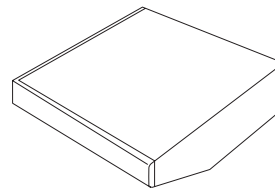


Half-Round

Edge Styles



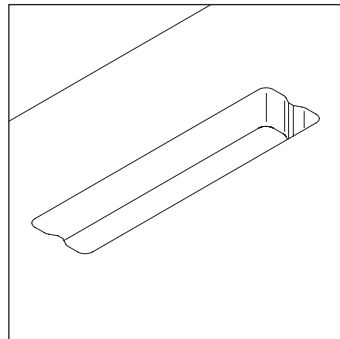
**74P Edge
(74P)**



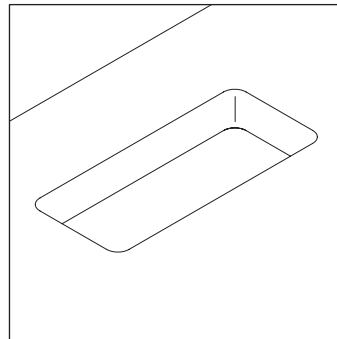
**Knife Edge
(KN)**

Tabletop Cutouts

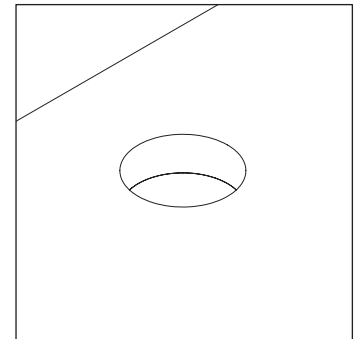
Dean, Nacre, or Node grommets can be specified for use within corresponding cutouts.



Dean Tabletop Cutout



Nacre Tabletop Cutout

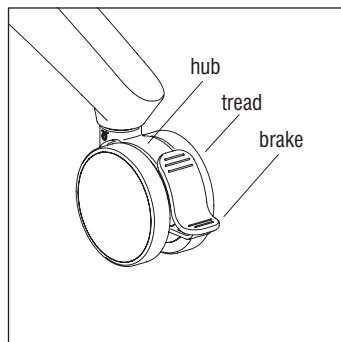


Node Tabletop Cutout

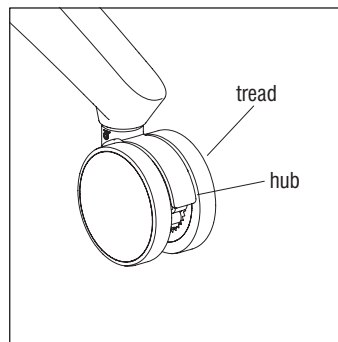
Casters & Telescopic Glides

Casters are 2.5" in diameter and are available in three color combinations: Black hub with Black tread and brake, Warm Grey hub with Warm Grey tread and brake, and also Cottonwood hub with Warm Grey tread and brake.

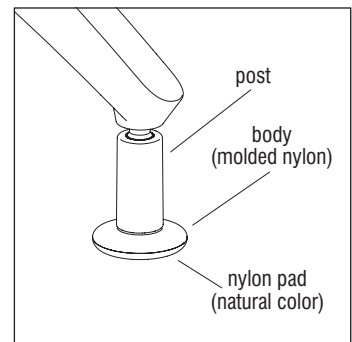
Adjustable glides are 2" in diameter and have a die cast aluminum post which matches the table base finish. Glides have a molded nylon body available in three standard colors: black, warm grey and cottonwood. The floor pad is a replaceable nylon pad. Glides offer 1.2" of adjustment.



Locking Caster



Non-Locking Caster

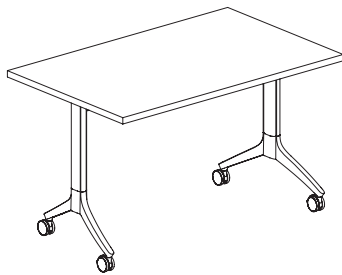


Telescopic Glide

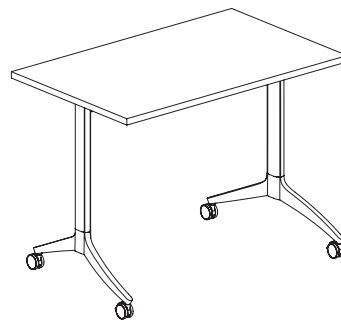
Planning Guidelines

Fixed-Height Table Height Options

Tributaire training tables are offered in three fixed-height table height options (non-height adjustable). Multiple height options allow for tiered classrooms, while maintaining the option to be easily reconfigured. Varying heights offer clear lines of sight for all users.



29" Overall Table Height



36" Overall Table Height



42" Overall Table Height

Nesting Information

18" Deep Tabletops

Nesting Footprint Calculation: Overall Depth of a Row = 19.27" (1 table) + 8.10" (additional tables)

Examples: 2 tables: 19.28" (1 table) + 8.10" (1 table) = 27.38"
 4 tables: 19.28" (1 table) + 8.10" (3 tables) = 43.58"

24-30" Deep Tabletops

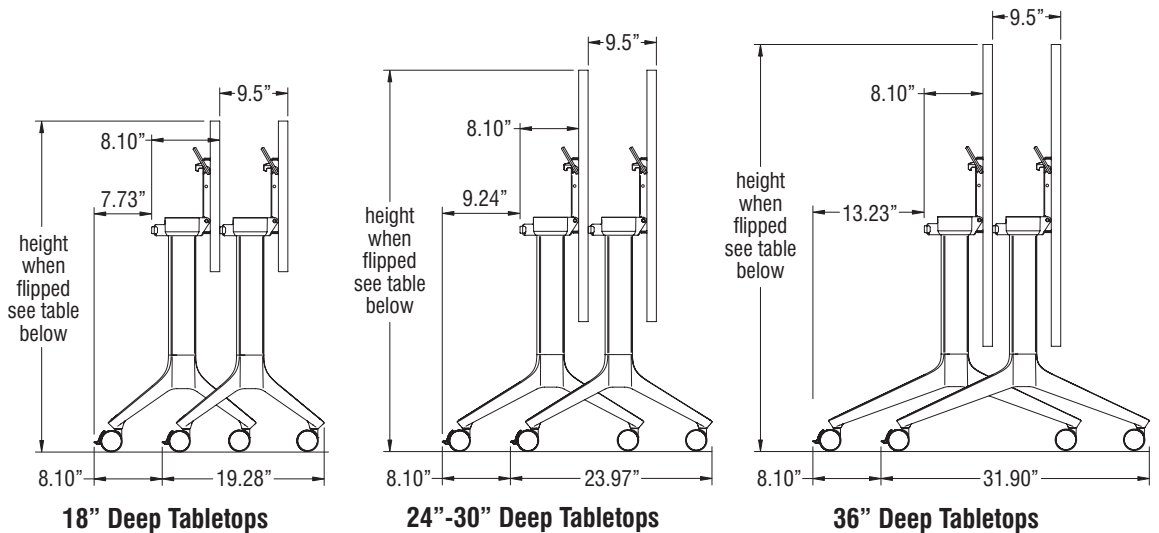
Nesting Footprint Calculation: Overall Depth of a Row = 23.97" (1 table) + 8.10" (additional tables)

Examples: 2 tables: 23.97" (1 table) + 8.10" (1 table) = 32.07"
 4 tables: 23.97" (1 table) + 8.10" (3 tables) = 48.27"

36" Deep Tabletops

Nesting Footprint Calculation: Overall Depth of a Row = 31.9" (1 table) + 8.10" (additional tables)

Examples: 2 tables: 31.90" (1 table) + 8.10" (1 table) = 40"
 4 tables: 31.90" (1 table) + 8.10" (3 tables) = 56.20"



18" Deep Nesting Tables	
Number of Tables	Depth When Flipped Up
1	19.28"
2	27.38"
3	35.48"

24"-30" Deep Nesting Tables	
Number of Tables	Depth When Flipped Up
1	23.97"
2	32.07"
3	40.17"

36" Deep Nesting Tables	
Number of Tables	Depth When Flipped Up
1	31.92"
2	40"
3	48.10"

Table Height - Nesting-Top Base							
	Table Depth	Height When Flipped Up	Foot Base		Table Depth	Height When Flipped Up	Foot Base
TJHLA	18"	39.38"	18"	TJJLA	24"	42.30"	24"
TJHLA	24"	42.38"	24"	TJJLA	30"	45.30"	24"
TJHLA	30"	45.38"	24"	TJJLA	36"	48.30"	36"
TJHLA	36"	48.38"	36"	TJJMA	24"	49.30"	24"
TJHMA	24"	49.30"	24"	TJJMA	30"	52.30"	24"
TJHMA	30"	52.30"	24"	TJJNA	24"	55.30"	24"
TJHMA	36"	55.30"	36"	TJJNA	30"	58.30"	24"
TJHNA	24"	55.30"	24"	TJHQA	24"	42.30"-57.30"	24"
TJHNA	30"	58.30"	24"	TJHQA	30"	45.30"-60.30"	24"
TJHNA	36"	61.30"	36"	TJHPA	24"	42.20"-57.20"	24"
TJHLB	42"	51.40"		TJHPA	30"	45.20"-60.20"	24"
TJHLB	48"	51.40"		TJGLA	24"	42.38"	24"
TJHLQ	24"	44.70"		TJGLA	30"	45.38"	24"
TJHLQ	30"	47.60"		TJGLA	36"	48.38"	36"
TJHLQ	36"	50.70"					

Undersurface Clearance

Note: 902.4.2 Height Children + 902.3 Height Adults from 2010 ADA + ICC A117.1-2017.

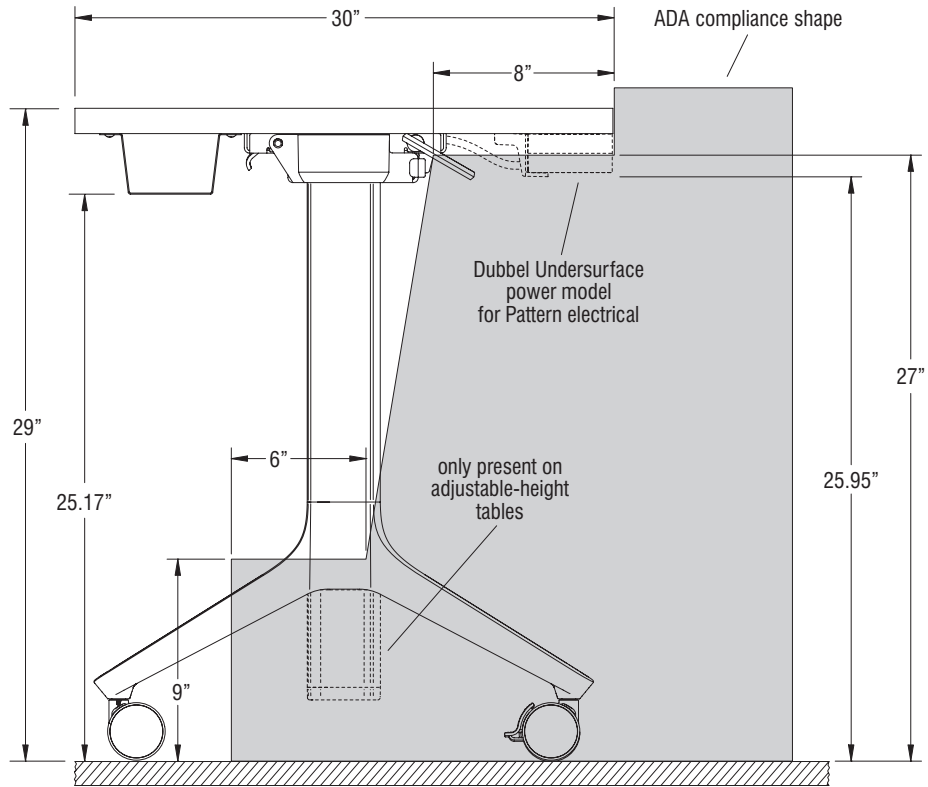


Illustration Represents ADA Block on 29" Fixed-Height & Adjustable-Height Bases (model TJLA2448 shown)(side view)

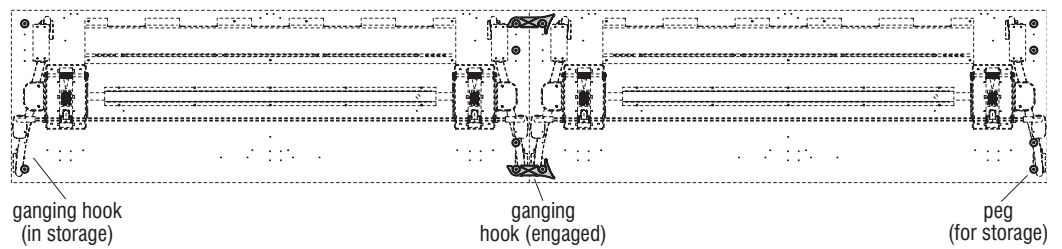
ADA Compliance Shape: Minimum requirement for Knee and Toe Clearance per 2010 ADA and ICC A117.1.

Ganging

Ganging Mechanism: Swinging ganger hooks draw and secure tables together using under-mounted stationary pegs. Gangers are field installed and self-storing under the table when not in use. Tabletops are pre-drilled for placement of ganging pegs. After the installation of the ganger pegs, no tools are required to join tables together.

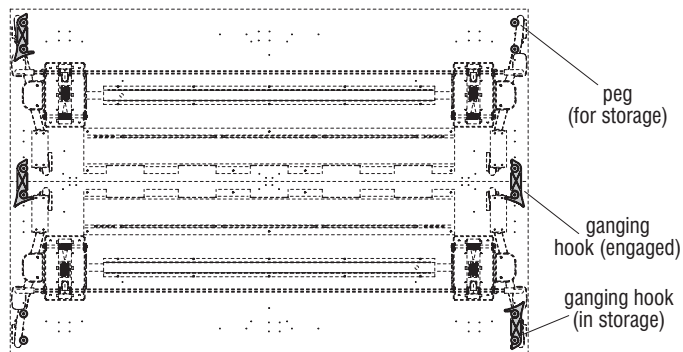
If a table is specified with the Pattern single-circuit electrical system, all necessary ganging components are automatically included with the table and required to be used. Ganging kits can also be ordered separately for all other non-pattern table models. One kit per table joint is required. Ganging kits not available for use with round or half-round shaped tabletops.

Sample Layout 1



24" x 72" Rectangular Training Tables, Side-to-Side Configuration (model TJJNA shown) (top view)

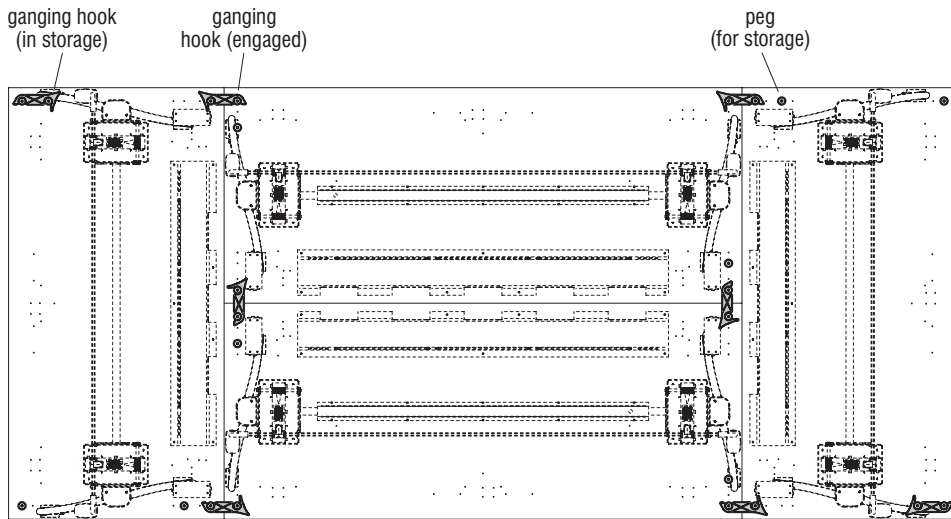
Sample Layout 2



24" x 72" Rectangular Training Tables, Back-to-Back Configuration (model TJJNA shown) (top view)

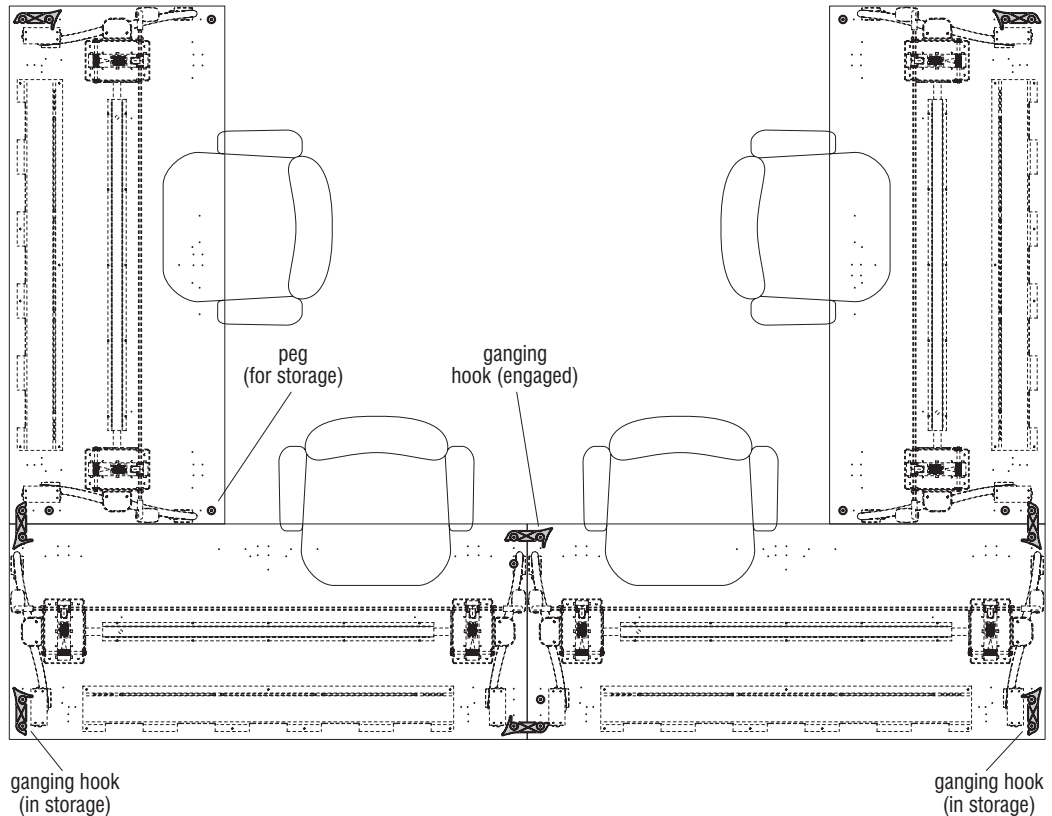
Ganging (cont.)

Sample Layout 3



30" x 60" and 30" x 72" Rectangular Training Tables, Enclosed Configuration
(model TJJNA shown) (top view)

Sample Layout 4



30" x 72" Rectangular Training Tables, U-Shaped Configuration
(model TJJNA shown) (top view)

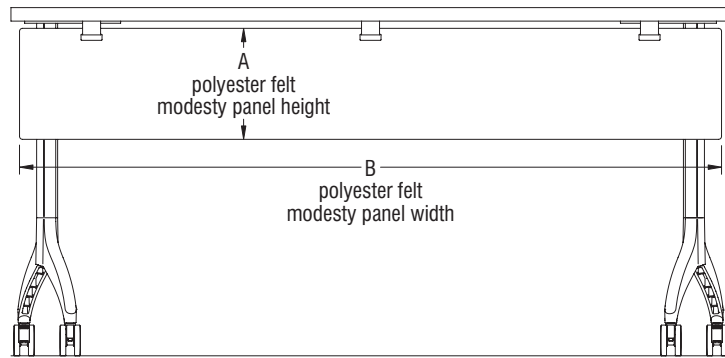
Modesty Panels

Modesty panels are available in polyester felt or laminate.

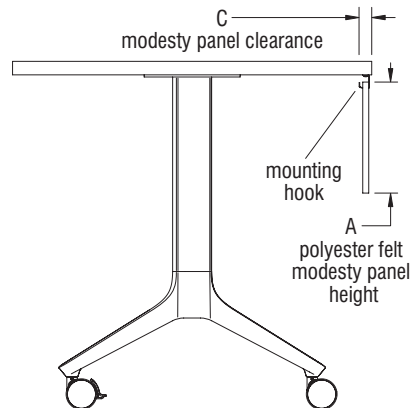
- **Note:** Polyester felt and laminate modesty panels are available on select 29", 36", and 42" high tables.

Polyester Felt Modesty Panel

- Each PET modesty panel color has a coordinating modesty panel attachment bracket color.
- See the Product Color Options page in the Tributaire Collection Pricelist for color options offered.



Fixed-Height Rectangular Training Table with Polyester Felt Modesty Panel (model TJHAA3060 shown)(back view)



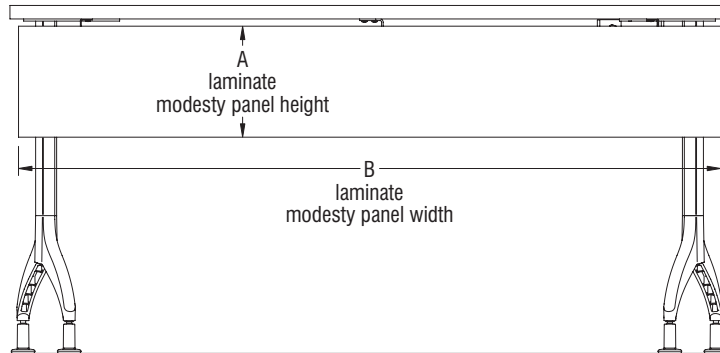
Fixed-Height Rectangular Training Table with Polyester Felt Modesty Panel (model TJHAA3060 shown)(side view)

Polyester Felt Modesty Panel Dimensions		
	Polyester Felt (Fixed Tables)	Polyester Felt (Nesting Tables)
A	9.25" for 29" & 36" high tables 14.75" for 42" high tables	9.25" for 29" & 36" high tables 14.75" for 42" high tables
B	Table Width, Less 1.5"	Table Width, Less 1.5"
C	1.04"	1.04" (18" Deep Tops) 1.04" (24" Deep Tops) 5.04" (30" Deep Tops) 8.04" (36" Deep Tops)

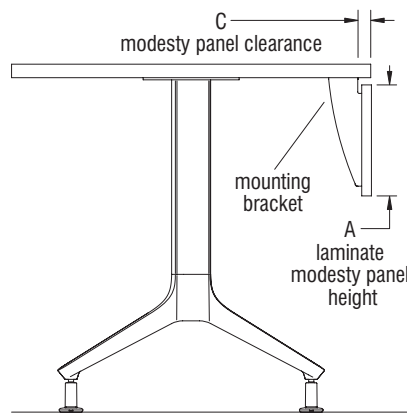
Modesty Panels (cont.)

Laminate Modesty Panel

- On fixed-top base tables, laminate modesty panels are fixed in place. On nesting-top base tables laminated modesty panels swing away when tables are nested.
- Laminate modesty panels are finished on both sides in customer selected laminate and include a matching 73P edge band.
- 29" high tables with a nesting-top base and 30-36" deep tabletop, cannot have a modesty panel if power modules are present.



Fixed-Height Rectangular Training Table with Laminate Modesty Panel (model TJHAA3060 shown)(back view)



Fixed-Height Rectangular Training Table with Laminate Modesty Panel (model TJHAA3060 shown)(side view)

Laminate Modesty Panel Dimensions		
	Laminate (Fixed Tables)	Laminate (Nesting Tables)
A	9.25" for 29" & 36" high tables 14.75" for 42" high tables	9.25" for 29" & 36" high tables 14.75" for 42" high tables
B	Table Width, Less 1.5"	Table Width, Less 1.5"
C	3.56"	1.36" (18" Deep Tops) 1.36" (24" Deep Tops) 8.36" (30" Deep Tops) 8.36" (36" Deep Tops)

Wire Management

Wire Trough

Wire trough keeps wires and electrical components enclosed. Wire trough allows Snap-In RPT modules for Pattern electrical to snap onto one side while also having access to cables.

Wire trough cutouts for under table Snap-In RPT module for Pattern electrical face toward the user side.

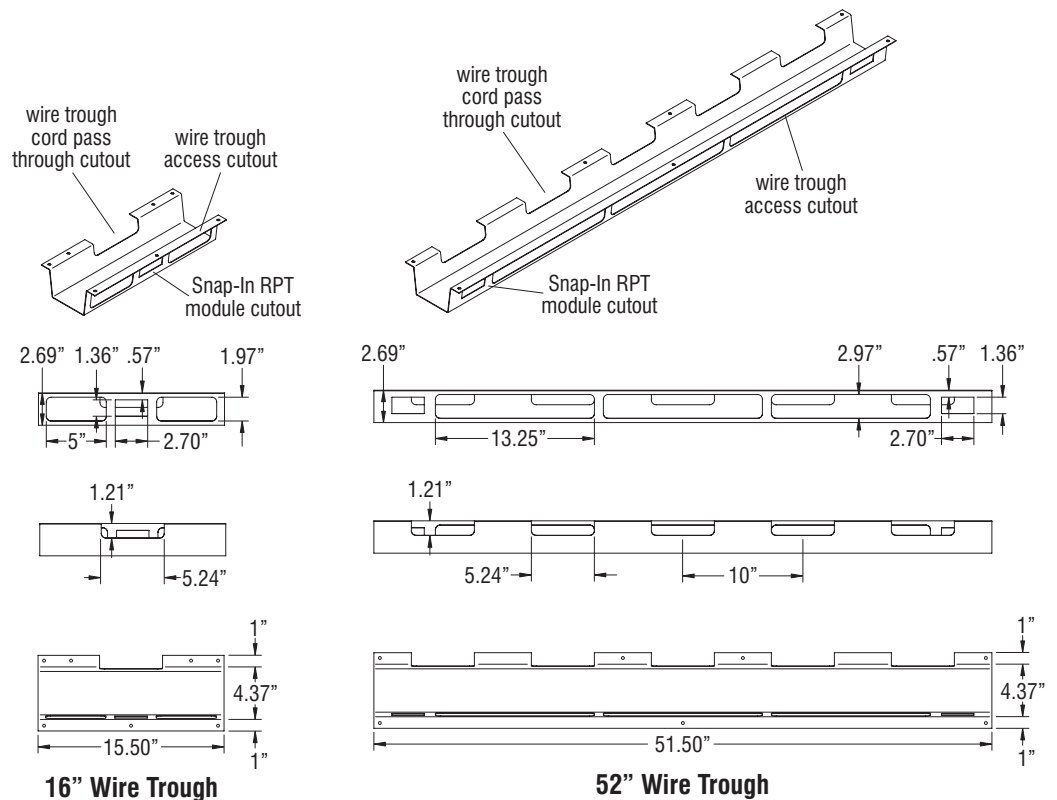
Note: Wire troughs are for training tables only and are not compatible with collaborative tables.

If Pattern components are included with the Tributaire table, under table wire trough is provided. Wire troughs must be ordered separately for power modules with 3-prong plug, if desired.

Tables with one tabletop cutout are provided with one wire trough. Wire troughs are available in four sizes, determined by the tabletop size and shape.

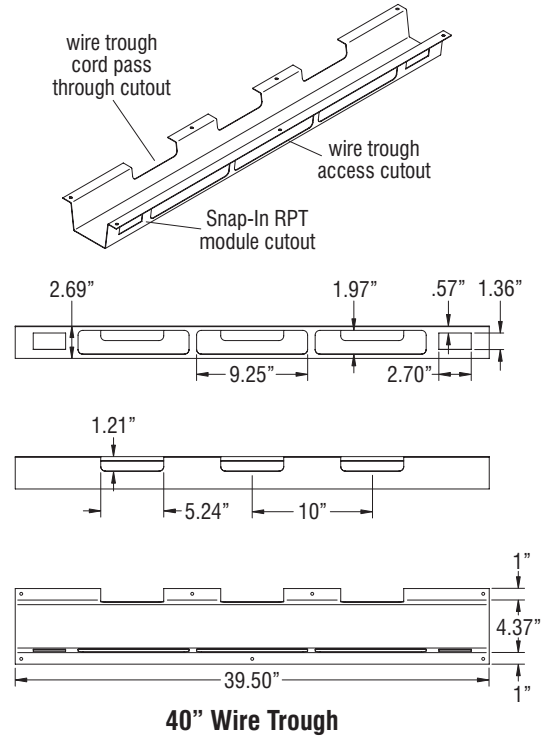
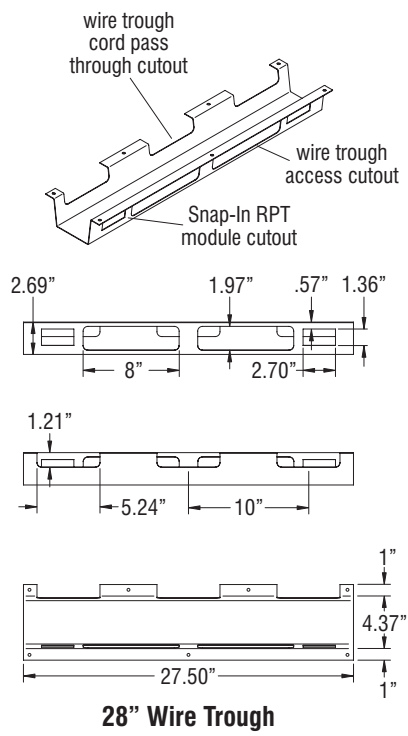
Tabletop Width	Number of Troughs and Trough Size	Number of Velcro Wire Managers
36"	1 x 18"	2
42", 48"	1 x 30"	2
54", 60"	1 x 42"	2
66", 72"	1 x 54"	2

A Wire Trough Width	B Center of Cutout to Trough Edge	Snap-In RPT Module Openings	Wire Access Openings
18"	7.75"	1	3
30"	2.85"	2	5
42"	2.85"	2	6
54"	2.85"	2	8



Wire Management (cont.)

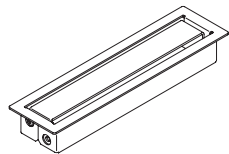
Wire Trough (cont.)



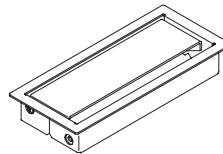
Grommets

Metal grommets are available to fit Dean, Nacre and Node tabletop cutouts.

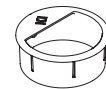
Grommets, modules and electrical components are field installed.



Dean® Grommet
 (1.94" x 7.3" cutout)



Nacre® Grommet
 (3" x 6.94" cutout)



Node Grommet
 (3" diameter cutout)

Wire Management (cont.)

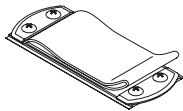
Vertical Wire Manager

Vertical wire manager is included on tables specified with power modules with 3-prong plug, and with Pattern power infeed kits. Vertical wire manager can be ordered separately. Wire manager is color matched to table base.



Velcro Wire Manager

Velcro wire managers are included on table models that include Pattern single-circuit electrical. Vertical wire manager can be ordered separately.



Strain Relief Clip

Strain relief clips are included with table when power modules with 3-prong plugs are specified.

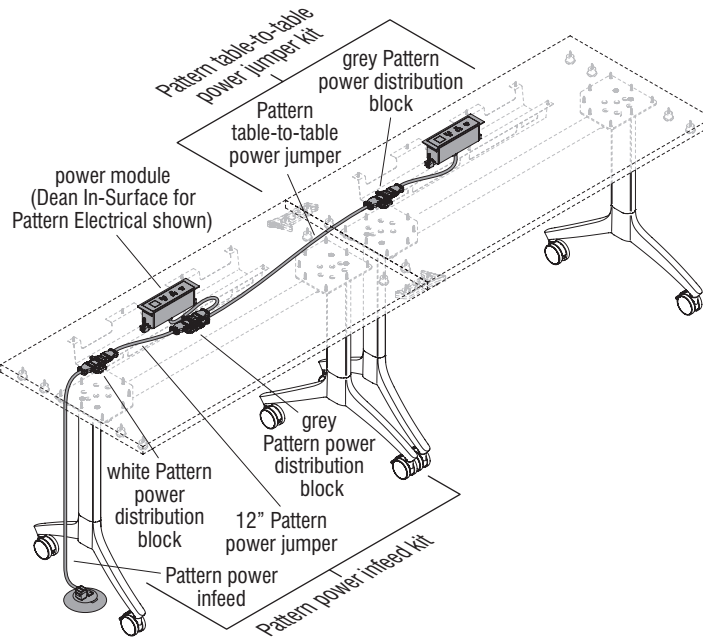


Electrical

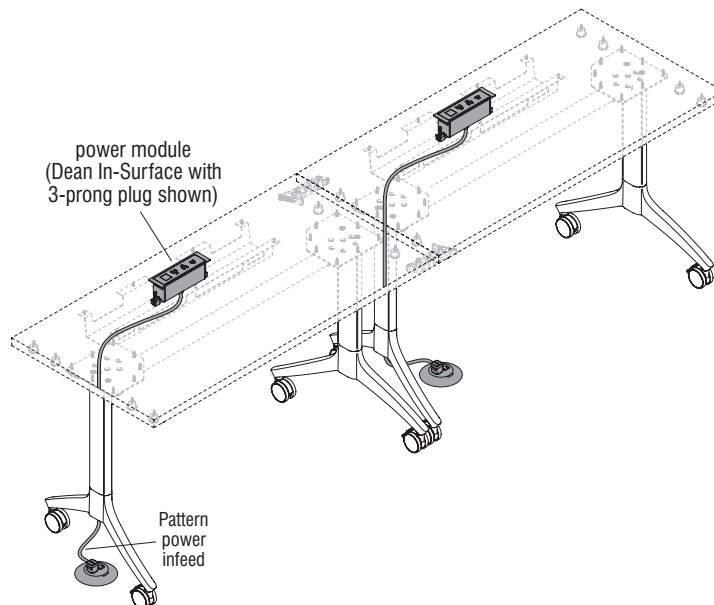
Electrical System Overview

Two power options are available for Tributaire tables

- **Power Modules with 108" or 180" cord and 3-prong plug**
 - Recommended for minimal power needs .
 - Multiple power module styles available.
 - Corded modules with 3-prong plug must be plugged into a building receptacle.
- **Pattern Single-Circuit Electrical System (a multi-unit daisy chain, single-circuit power system)**
 - Pattern electrical allows up to ten distribution blocks or 600" total length of jumpers to be powered by a power infeed.
 - Power infeeds can be placed anywhere within the system.
 - Multiple power module styles available.

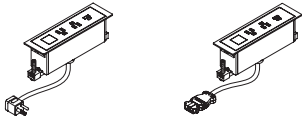
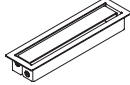
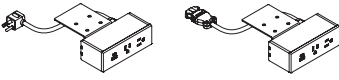

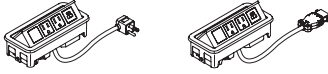
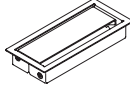


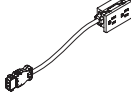
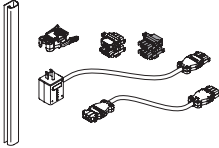



Tributaire Training Tables with Power Modules for Pattern Single-Circuit Electrical



Tributaire Training Tables with Power Modules with 3-Prong Plug

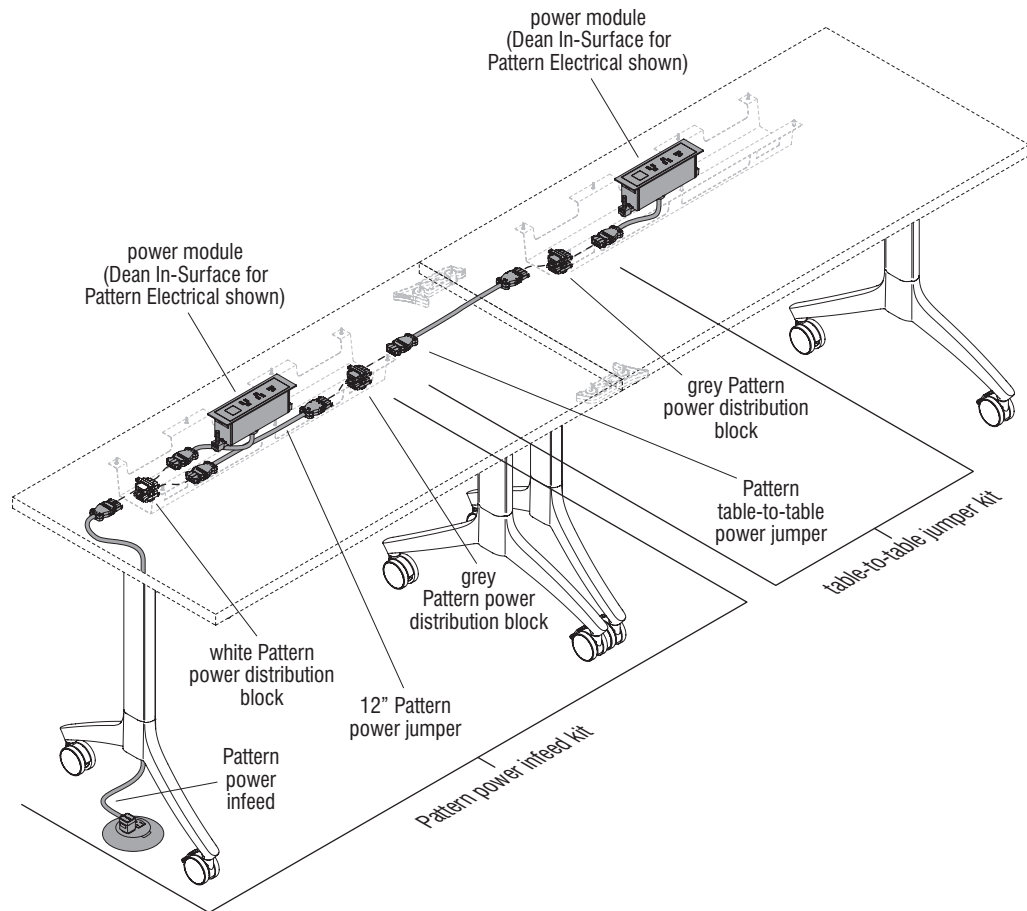
Electrical Components

Electrical Components				
Power Options	Visual	Module Configuration	Tabletop Cutout Dimensions	Mounting Location
Dean In-Surface (available with 3-prong plug or Pattern single-circuit electrical system)		2 power outlets, 1 dual USB A+C, 1 open port	1.94" x 7.3"	in surface
Dean In-Surface Grommet		N/A	1.94" x 7.3"	in surface
Dean Undersurface (available with 3-prong plug or Pattern single-circuit electrical system)		2 power outlets, 1 dual USB A+C	N/A	below surface
Dubbel Undersurface (available with 3-prong plug or Pattern single-circuit electrical system)		2 power outlets, 1 dual USB A+C	N/A	below surface
Nacre Pop-Up Module (available with 3-prong plug or Pattern single-circuit electrical system)		2 power outlets, 1 dual USB A+C, 1 open port	3" x 6.94"	in surface
Nacre Grommet		N/A	3" x 6.94"	in surface
Node (available with 3-prong plug or Pattern single-circuit electrical system)		1 power outlet, 1 dual USB A+C	3" diameter	in surface
Node Grommet		N/A	3" diameter	in surface
Snap-In RPT (Available with Pattern single-circuit electrical system only)		2 power outlets	N/A	in trough
Pattern Power Infeed Kit <ul style="list-style-type: none"> • Pattern Power Infeed • Pattern Power Jumper • White Pattern Power Distribution Block • Grey Pattern Power Distribution Block • Pattern Quick-Release Tool • Vertical Wire Manager 		N/A	N/A	N/A
Pattern Table-to-Table Jumper Kit <ul style="list-style-type: none"> • Pattern Table-to-Table Power Jumper • Grey Pattern Power Distribution Block 		N/A	N/A	N/A

Pattern Electrical

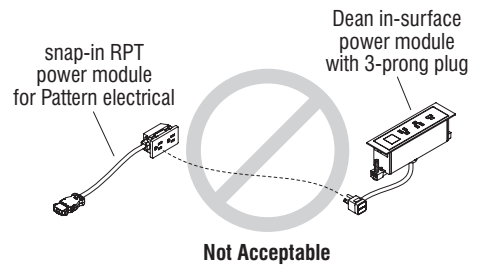
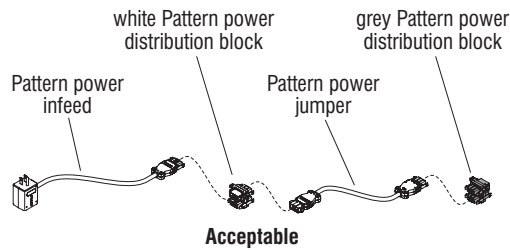
A non-sequential single-circuit electrical system used to provide power distribution which is ETL Listed to UL 962A (USA) and CAN/CSA-C22.2 No. 308 (Canada). Power infeed can be simply plugged into a building wall or floor receptacle; no electrician is needed.

- Pattern electrical system is a 15-amp system; however, continuous use should not exceed 80% draw. Only load 12 amps of draw if current is expected to continue for three or more hours at a time.
- Pattern power jumpers and Pattern power distribution blocks connect from table-to-table to carry power across multiple pieces of furniture.
- The total number of distribution blocks within the system shall not exceed ten per power infeed.
- The total length of jumpers (exclusive of the power infeed unit) is not to exceed 600" (50') from the infeed distribution block (in either direction).
- Wire troughs have cutout locations for the snap-in RPT (relocatable power tap) module(s) for Pattern electrical. Reference "Wire Trough" on page 17.
- Pattern power infeed is compatible with ground fault interrupter (GFI/GFCI) and uninterrupter power supplies.
- Gangers and wire management devices are included. Tables must be mechanically connected together, with all Pattern power connections appropriately installed before connecting infeed to power source.
- When the desired table Pattern power pick is selected, all necessary components for the table will be provided. Excludes Pattern power infeed kits and Pattern table-to-table power jumper kits.



Pattern Electrical (cont.)

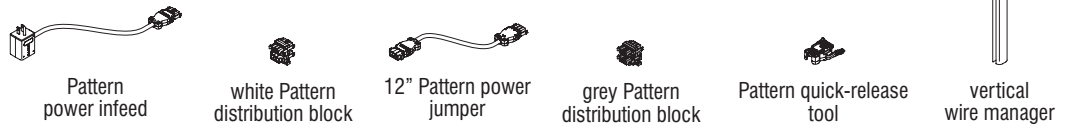
Available Tributaire Training Table Pattern Power Picks		
PMA1	(1) Nacre In-Surface Pop-Up for Pattern electrical	Available option for 36, 42, 48, 54, 60, 66, 72" table widths only.
PMB1	(1) Dubbel Under-Surface for Pattern electrical	Available option for 36, 42, 48, 54, 60, 66, 72" table widths only.
PMD1	(1) Dean In-Surface for Pattern electrical	Available option for 36, 42, 48, 54, 60, 66, 72" table widths only.
PMO1	(1) Node In-Surface for Pattern electrical	Available option for 36, 42, 48, 54, 60, 66, 72" table widths only.
PMU1	(1) Dean Undersurface for Pattern electrical	Available option for 36, 42, 48, 54, 60, 66, 72" table widths only.
PSA1	(1) Snap-In RPT for Pattern electrical + (1) grommet (sized for Nacre module)	Available option for 36" table widths only.
PSA2	(2) Snap-In RPT for Pattern electrical + (1) grommet (sized for Nacre module)	Available option for 42, 48, 54, 60, 66, 72" table widths only.
PSA3	(1) Dubbel Undersurface for Pattern electrical + (1) Snap-In RPT for Pattern electrical + (1) grommet (sized for Nacre module)	Available option for 36" table widths only.
PSA4	(1) Dubbel Undersurface for Pattern electrical + (2) Snap-In RPT for Pattern electrical + (1) grommet (sized for Nacre module)	Available option for 42, 48, 54, 60, 66, 72" table widths only.
PSA5	(1) Dean Undersurface for Pattern electrical + (1) Snap-In RPT for Pattern electrical + (1) grommet (sized for Nacre module)	Available option for 36" table widths only.
PSA6	(1) Dean Undersurface for Pattern electrical + (2) Snap-In RPT for Pattern electrical + (1) grommet (sized for Nacre module)	Available option for 42, 48, 54, 60, 66, 72" table widths only.



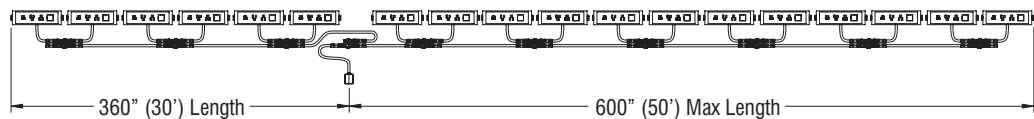
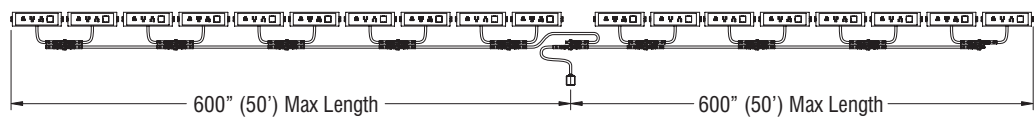
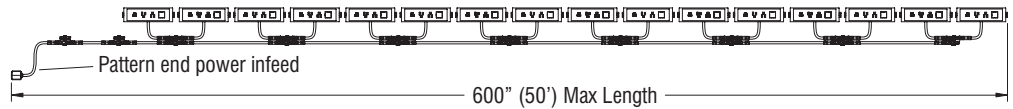
Pattern Electrical (cont.)

Pattern Power Infeed Kits

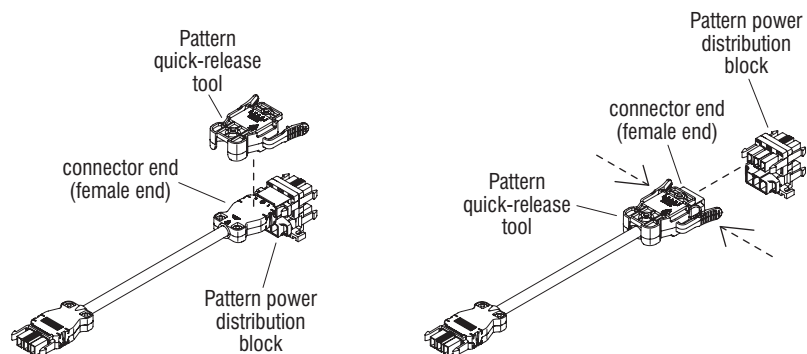
- Power infeed kit includes (1) white Pattern power distribution block, (1) grey Pattern power distribution block, (1) 12" Pattern power jumper, (1) 108" Pattern power infeed, (1) Pattern quick-release tool & (1) vertical wire manager.
- Kit counts towards two distribution blocks within a run of power (ten distribution blocks maximum per power infeed).
- Kit counts towards 12" jumper length (600" or 50' maximum per infeed in either direction).



- Pattern power infeed cords are 108" long.
 - Power infeed kits allow for reconfiguration and can be installed at the end of, or anywhere within a run, as long as the total length of jumpers from the power infeed (in either direction) does not exceed 600" (50').
 - Regardless of power infeed location, layout cannot exceed ten distribution blocks per infeed.
 - Power infeeds come with 90-degree angled plugs. Angled plugs make it easier to route the cords through tight corners and spaces eliminating stress placed on the power cord conductors and the strain relief.



- Pattern Quick-Release Tool
 - Pattern quick-release tool is a simple tool designed to help remove the power connector ends from the Pattern power distribution blocks if reconfiguration of the Pattern single-circuit electrical system is required.



Pattern Power Distribution Blocks

Pattern Electrical (cont.)

Pattern Power Distribution Blocks

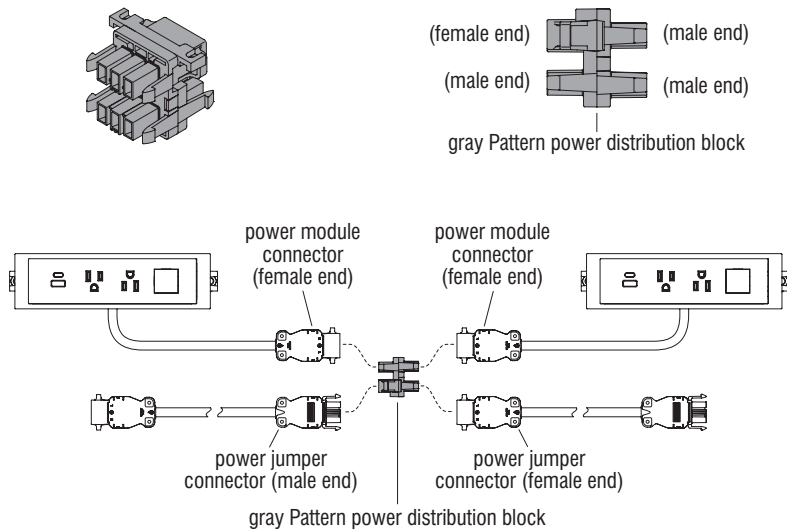
Pattern power distribution blocks are required to connect and distribute power. Two types of distribution blocks are used, as illustrated below.

The two distribution block types (white and grey) are not specified separately. Both types are included with Pattern table-to-table power jumper kits, Pattern power infeed kits and when tables are ordered with power requiring internal Pattern power jumpers (three power modules per table).

The total number of power distribution blocks within the system shall not exceed ten per power infeed.

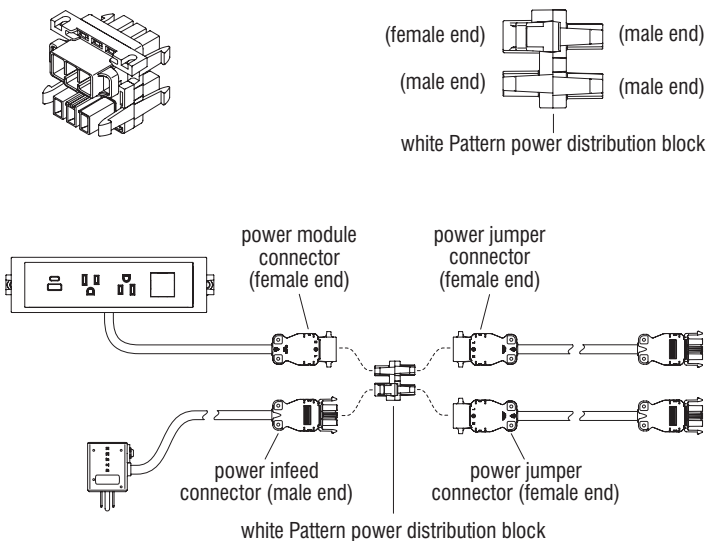
- **Grey Pattern Power Distribution Block**

- Supports two power modules, and two jumpers or one jumper and one power infeed.



- **White Pattern Power Distribution Block**

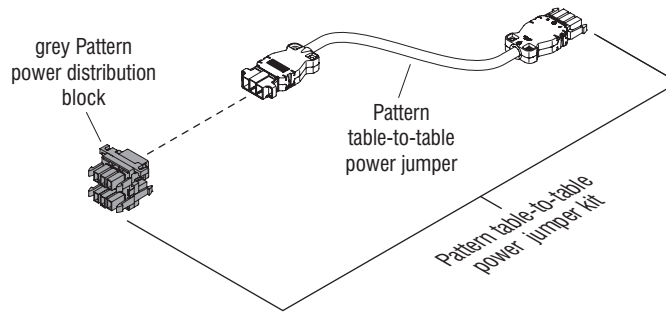
- Supports one power module, and three jumpers or two jumpers and one power infeed.



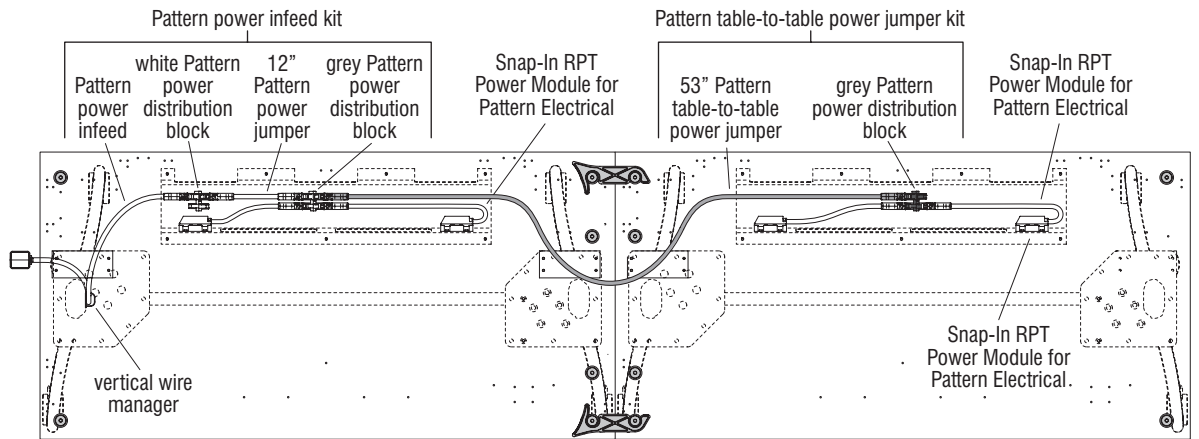
Pattern Electrical (cont.)

Pattern Table-to-Table Power Jumper Kit

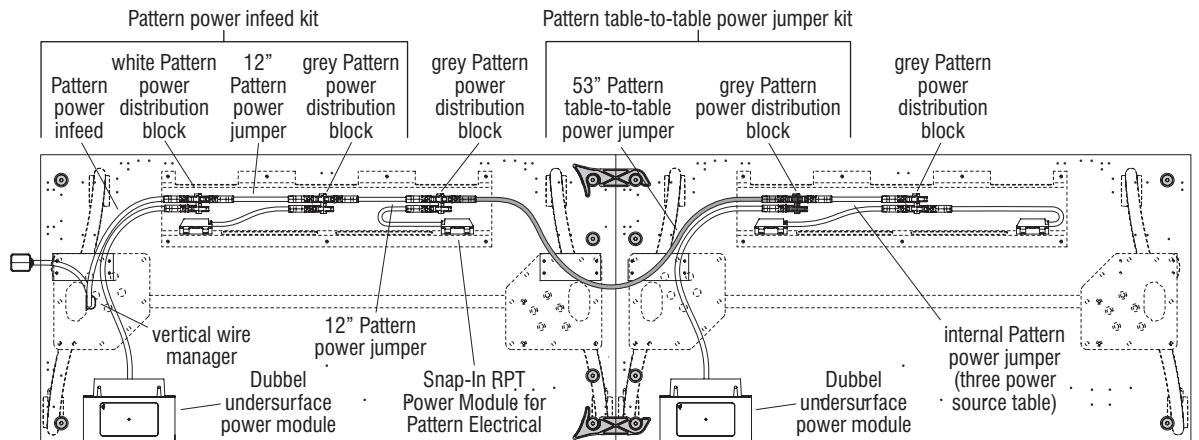
- Pattern table-to-table power jumper kits are specified separately. Kits consist of Pattern power jumper in specified length and a grey Pattern power distribution block required to connect jumper to a power module. Internal Pattern power jumpers are included on tables when three power modules are specified (options PS2MB1GA1 & PS2MC1GA1).
- Below jumper recommendations are based on table size and allow for reconfiguration with excess cord being managed within wire troughs, and are not layout dependent.
- Jumper lengths (53", 75" and 101") are determined based on distance to attach to a previous distribution block.



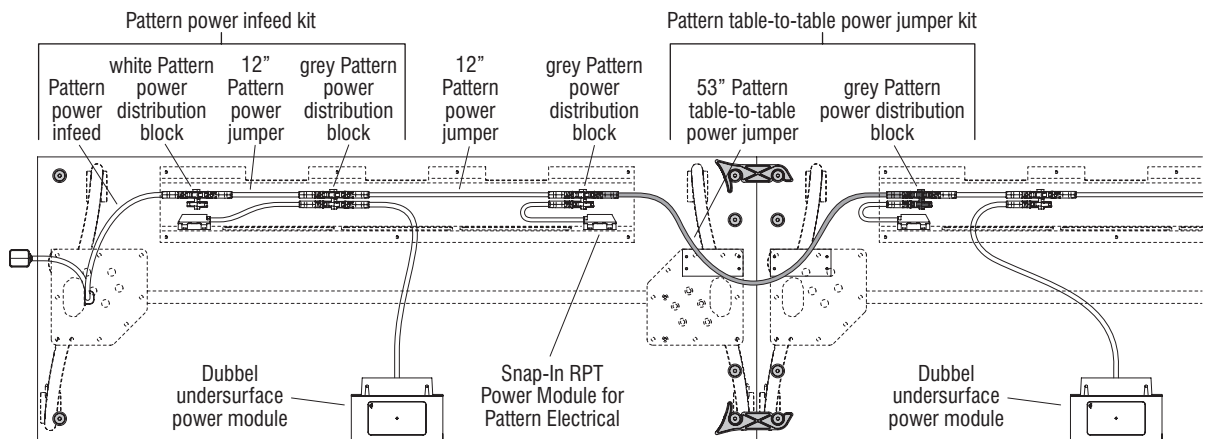
Pattern Table-to-Table Power Jumper Kit



Tables with Two Power Modules (PSA2 shown)



Tables with Two Power Modules (PSA4 shown)



Tables with Two Power Modules (PSA4 shown)

Pattern Electrical (cont.)

Planning with Pattern Electrical

1. Identify power requirements, confirm the number of modules and tables per layout.

Pattern electrical system is a 15-amp system; however, continuous use should not exceed 80% draw. Only load 12 amps of draw if current is expected to continue for three or more hours at a time.

Amp Draw Range by Item Type:

This chart shows the estimated amp draw for common devices. Be sure to calculate the necessary amperage needs for the space. Amp draw requirements will determine the number of power infeeds needed.

Item	Amp(s)	Item	Amp(s)	Item	Amp(s)
Bluetooth Speaker	0.1	Inkjet Printer	0.15	Refrigerator	6
Cell Phone Charger	1-2	Laptop	1	Scanner	3
Coffee Maker	10	Laser Printer	0.5	Space Heater	12
Computer Monitor	0.5	LED Task Light	0.08	Tablet	1-2
Copy Machine (Xerox)	20	Microwave	10	Tea Kettle	7-10
Cordless Drill Charger	2-3	Office Phone	0.1	Television 42"	1
Crock Pot	1-2	Paper Shredder	1.22	USB Charger	0.17
Desktop 3-D printer	5	Personal Fan	0.5	Vacuum	10
Desktop Computer	3	Projector	1.7		

Calculate Amps from Watts:

To calculate amps from watts, divide the watts by 120.

Example: 600 watts/120 = 5 amps

2. Confirm the number of table-to-table jumper kits and infeed kits required to power a table layout.

The table on the next page identifies maximum number of tables that can be planned per power infeed. Maximum amounts assume table layouts consist of the same table size and power configuration.

Training Tables

Table Shape	Table Width	Power Options	Number of Modules Per Table	# of Metal Grommets (Sized for Nacre)	Number of Troughs and Trough Size	# of Snap-In RPTs	# of Distribution Blocks Included with Table	Internal Jumper Length Included with Table	# of Velcro Wire Manager	Recommended Table-to-Table Power Jumper	Maximum # of Tables Per Infeed*	Total # of Modules on Max Table Run*
Rectangular	36"	pma1, pmb1, pmo1, pmu1, pmd1	1	0	18"	0	0	0	2	53"	9	9
Rectangular	36"	psa1	1	1	18"	1	0	0	2	53"	9	9
Rectangular	36"	psa3, psa5	2	1	18"	1	0	0	2	53"	9	18
Rectangular	42"-48"	pma1, pmb1, pmo1, pmu1, pmd1	1	0	30"	0	0	0	2	53"	9	9
Rectangular	42"-48"	psa2	2	1	30"	2	0	0	2	53"	9	18
Rectangular	42"-48"	psa4, psa6	3	1	30"	2	1	12"	2	53"	4	12
Rectangular	54"	pma1, pmb1, pmo1, pmu1, pmd1	1	0	42"	0	0	0	2	53"	9	9
Rectangular	54"	psa2	2	1	42"	2	0	0	2	53"	9	18
Rectangular	54"	psa4, psa6	3	1	42"	2	1	12"	2	53"	4	12
Rectangular	60"	pma1, pmb1, pmo1, pmu1, pmd1	1	0	42"	0	0	0	2	75"	8	8
Rectangular	60"	psa2	2	1	42"	2	0	0	2	75"	8	16
Rectangular	60"	psa4, psa6	3	1	42"	2	1	12"	2	75"	4	12
Rectangular	66"-72"	pma1, pmb1, pmo1, pmu1, pmd1	1	0	54"	0	0	0	2	75"	8	8
Rectangular	66"-72"	psa2	2	1	54"	2	0	0	2	75"	8	16
Rectangular	66"-72"	psa4, psa6	3	1	54"	2	1	12"	2	75"	4	12

Note: Maximums assume layouts consist of the same table size and power configuration.

Pattern Electrical (cont.)

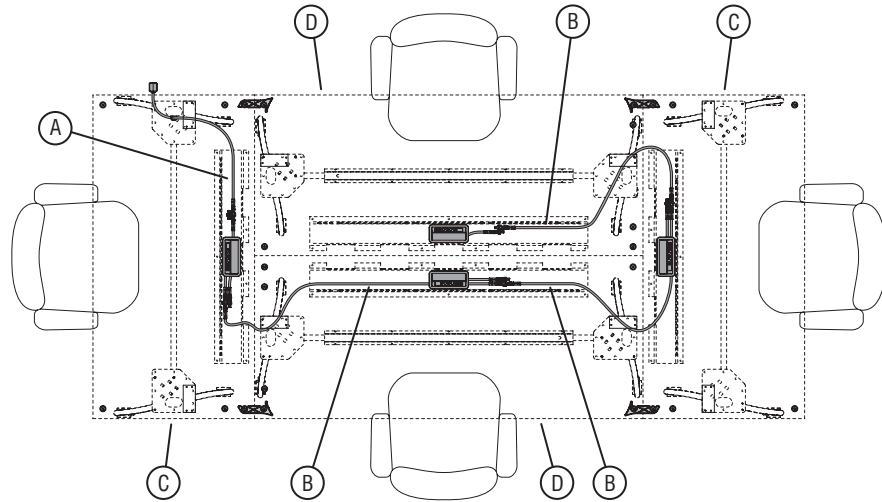
Sample Power Layouts

Sample Layout 1

The following section provides different examples of typical Pillar tables with Pattern electrical configurations.

Note: The following configuration can be accomplished by routing the Pattern power jumper through the cord pass-through cutouts in the wire trough.

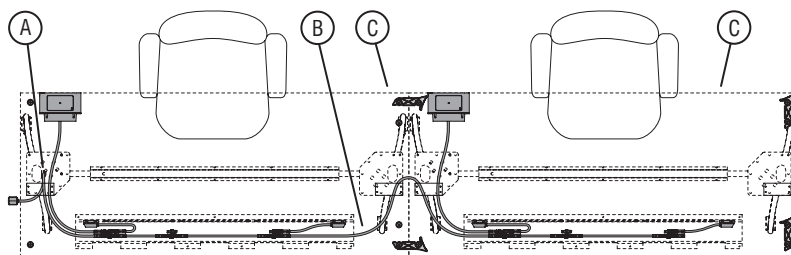
Item	Qty	Shown Components
A	1	Pattern Power Infeed Kit
B	3	Pattern Table-to-Table Power Jumper Kit
C	2	Tributaire Fixed-Height Single Circuit Rectangular Training Table (30" x 60") with Nacre In-Surface Pop-Up Power Module
D	2	Tributaire Fixed-Height Single Circuit Rectangular Training Table (30" x 72") with Nacre In-Surface Pop-Up Power Module



Model TJJAA - 30" x 60" & 30" x 72" Fixed-Height Rectangular Training Table - Fixed-Top Base, Enclosed Configuration (PMA1-PMA2 shown)

Sample Layout 2

Item	Qty	Shown Components
A	1	Pattern Power Infeed Kit
B	1	Pattern Table-to-Table Power Jumper Kit
C	2	Tributaire Fixed-Height Single Circuit Rectangular Training Table (30" x 72") with Dubbel Under-Surface Power Module and Two Snap-In RPT Modules



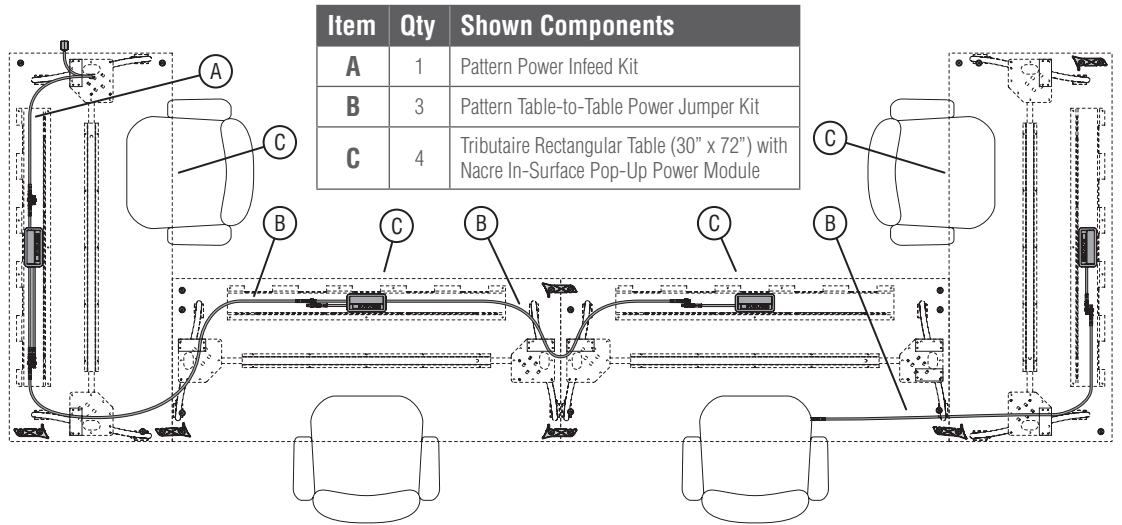
Model TJJAA - 30" x 72" Fixed-Height Rectangular Training Table - Fixed-Top Base, Side-to-Side Configuration (PSA4 shown)

**DIMENSIONS
 (cont.)**

Pattern Electrical (cont.)

Sample Power Layouts (cont.)

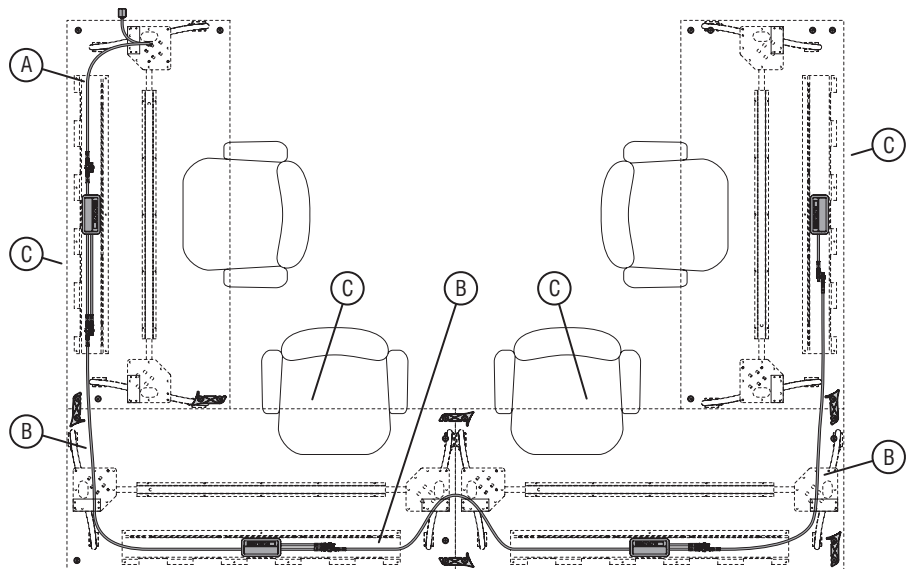
Sample Layout 3



Model TJJAA - 30" x 72" Fixed-Height Rectangular Training Table - Fixed-Top Base, U-Shaped Configuration (PMA1-PMA2 shown)

Sample Layout 4

Item	Qty	Shown Components
A	1	Pattern Power Infeed Kit
B	1	Pattern Table-to-Table Power Jumper Kit
C	2	Tributaire Rectangular Table (30" x 72") with Dubbel Under-Surface Power Module and Two Snap-In RPT Modules

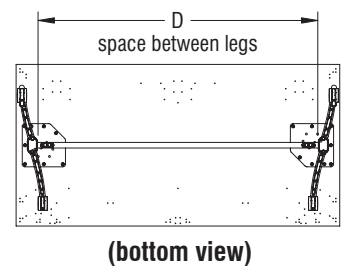
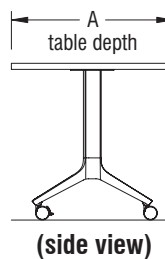
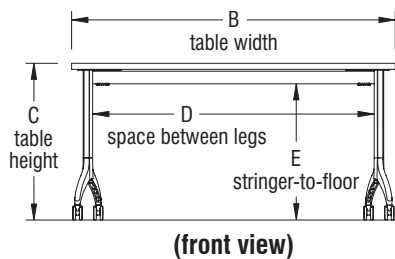


Model TJJAA - 30" x 72" Fixed-Height Rectangular Training Table - Fixed-Top Base, U-Shaped Configuration (PMA1-PMA2 shown)

DIMENSIONS

29" Fixed-Height Tributaire Rectangular Training Tables - Fixed-Top Base (74P or KN edge)						
Model Number	A Table Depth	B Table Width	C Table Height	D Space Between Legs	E Stringer-to-Floor	Stiffener(s)
TJHAA1830	18"	30"	29"	22.15"	25"	
TJHAA1836	18"	36"	29"	28.15"	25"	
TJHAA1842	18"	42"	29"	34.15"	25"	
TJHAA1848	18"	48"	29"	40.15"	25"	
TJHAA1854	18"	54"	29"	46.15"	25"	
TJHAA1860	18"	60"	29"	52.15"	25"	
TJHAA1866	18"	66"	29"	58.15"	25"	•
TJHAA1872	18"	72"	29"	64.15"	25"	•
TJHAA2430	24"	30"	29"	22.15"	25"	
TJHAA2436	24"	36"	29"	28.15"	25"	
TJHAA2442	24"	42"	29"	34.15"	25"	
TJHAA2448	24"	48"	29"	40.15"	25"	
TJHAA2454	24"	54"	29"	46.15"	25"	
TJHAA2460	24"	60"	29"	52.15"	25"	
TJHAA2466	24"	66"	29"	58.15"	25"	•
TJHAA2472	24"	72"	29"	64.15"	25"	•
TJHAA3036	30"	36"	29"	28.15"	25"	
TJHAA3042	30"	42"	29"	34.15"	25"	
TJHAA3048	30"	48"	29"	40.15"	25"	
TJHAA3054	30"	54"	29"	46.15"	25"	
TJHAA3060	30"	60"	29"	52.15"	25"	
TJHAA3066	30"	66"	29"	58.15"	25"	•
TJHAA3072	30"	72"	29"	64.15"	25"	•
TJHAA3636	36"	36"	29"	28.15"	25"	
TJHAA3642	36"	42"	29"	34.15"	25"	
TJHAA3648	36"	48"	29"	40.15"	25"	
TJHAA3654	36"	54"	29"	46.15"	25"	
TJHAA3660	36"	60"	29"	52.15"	25"	
TJHAA3666	36"	66"	29"	58.15"	25"	
TJHAA3672	36"	72"	29"	64.15"	25"	

(model TJHAA3060/74P shown below)

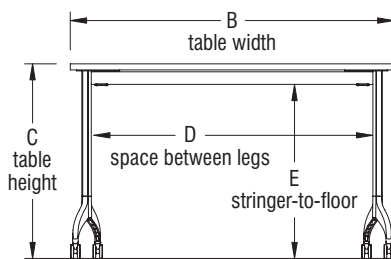


DIMENSIONS
 (cont.)

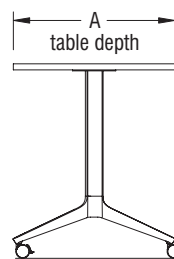
36" Fixed-Height Tributaire Rectangular Training Tables - Fixed-Top Base (74P or KN edge)

Model Number	A Table Depth	B Table Width	C Table Height	D Space Between Legs	E Stringer-to-Floor	Stiffener(s)
TJHBA1830	18"	30"	36"	22.15"	32"	
TJHBA1836	18"	36"	36"	28.15"	32"	
TJHBA1842	18"	42"	36"	34.15"	32"	
TJHBA1848	18"	48"	36"	40.15"	32"	
TJHBA1854	18"	54"	36"	46.15"	32"	
TJHBA1860	18"	60"	36"	52.15"	32"	
TJHBA1866	18"	66"	36"	58.15"	32"	•
TJHBA1872	18"	72"	36"	64.15"	32"	•
TJHBA2430	24"	30"	36"	22.15"	32"	
TJHBA2436	24"	36"	36"	28.15"	32"	
TJHBA2442	24"	42"	36"	34.15"	32"	
TJHBA2448	24"	48"	36"	40.15"	32"	
TJHBA2454	24"	54"	36"	46.15"	32"	
TJHBA2460	24"	60"	36"	52.15"	32"	
TJHBA2466	24"	66"	36"	58.15"	32"	•
TJHBA2472	24"	72"	36"	64.15"	32"	•
TJHBA3036	30"	36"	36"	28.15"	32"	
TJHBA3042	30"	42"	36"	34.15"	32"	
TJHBA3048	30"	48"	36"	40.15"	32"	
TJHBA3054	30"	54"	36"	46.15"	32"	
TJHBA3060	30"	60"	36"	52.15"	32"	
TJHBA3066	30"	66"	36"	58.15"	32"	•
TJHBA3072	30"	72"	36"	64.15"	32"	•
TJHBA3636	36"	36"	36"	28.15"	32"	
TJHBA3642	36"	42"	36"	34.15"	32"	
TJHBA3648	36"	48"	36"	40.15"	32"	
TJHBA3654	36"	54"	36"	46.15"	32"	
TJHBA3660	36"	60"	36"	52.15"	32"	
TJHBA3666	36"	66"	36"	58.15"	32"	•
TJHBA3672	36"	72"	36"	64.15"	32"	•

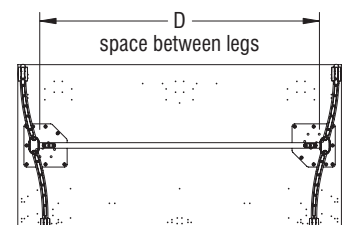
(model TJHBA3060/74P shown below)



(front view)



(side view)

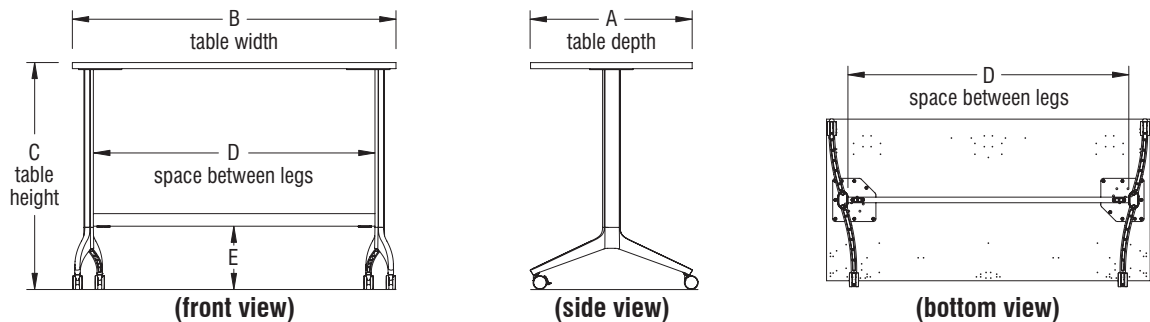


(bottom view)

DIMENSIONS
(cont.)

42" Fixed-Height Tributaire Rectangular Training Tables - Fixed-Top Base (74P or KN edge)						
Model Number	A Table Depth	B Table Width	C Table Height	D Space Between Legs	E Stringer-to-Floor	Stiffener(s)
TJHCA1830	18"	30"	42"	22.15"	11.50"	
TJHCA1836	18"	36"	42"	28.15"	11.50"	
TJHCA1842	18"	42"	42"	34.15"	11.50"	
TJHCA1848	18"	48"	42"	40.15"	11.50"	
TJHCA1854	18"	54"	42"	46.15"	11.50"	
TJHCA1860	18"	60"	42"	52.15"	11.50"	
TJHCA1866	18"	66"	42"	58.15"	11.50"	•
TJHCA1872	18"	72"	42"	64.15"	11.50"	•
TJHCA2430	24"	30"	42"	22.15"	11.50"	
TJHCA2436	24"	36"	42"	28.15"	11.50"	
TJHCA2442	24"	42"	42"	34.15"	11.50"	
TJHCA2448	24"	48"	42"	40.15"	11.50"	
TJHCA2454	24"	54"	42"	46.15"	11.50"	
TJHCA2460	24"	60"	42"	52.15"	11.50"	
TJHCA2466	24"	66"	42"	58.15"	11.50"	•
TJHCA2472	24"	72"	42"	64.15"	11.50"	•
TJHCA3036	30"	36"	42"	28.15"	11.50"	
TJHCA3042	30"	42"	42"	34.15"	11.50"	
TJHCA3048	30"	48"	42"	40.15"	11.50"	
TJHCA3054	30"	54"	42"	46.15"	11.50"	
TJHCA3060	30"	60"	42"	52.15"	11.50"	
TJHCA3066	30"	66"	42"	58.15"	11.50"	•
TJHCA3072	30"	72"	42"	64.15"	11.50"	•
TJHCA3636	36"	36"	42"	28.15"	11.50"	
TJHCA3642	36"	42"	42"	34.15"	11.50"	
TJHCA3648	36"	48"	42"	40.15"	11.50"	
TJHCA3654	36"	54"	42"	46.15"	11.50"	
TJHCA3660	36"	60"	42"	52.15"	11.50"	
TJHCA3666	36"	66"	42"	58.15"	11.50"	•
TJHCA3672	36"	72"	42"	64.15"	11.50"	•

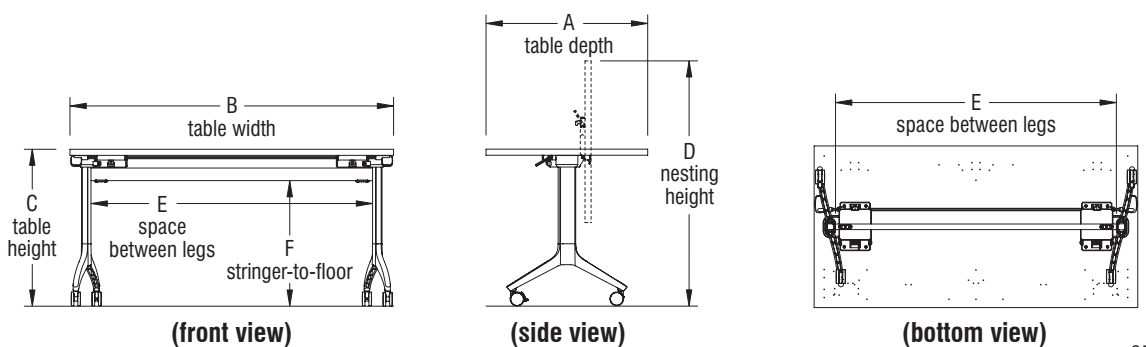
(model TJHCA3060/74P shown below)



**DIMENSIONS
 (cont.)**

29" Fixed-Height Tributaire Rectangular Training Tables - Nesting-Top Base (74P or KN edge)							
Model Number	A Table Depth	B Table Width	C Table Height	D Nesting Height	E Space Between Legs	F Stringer-to-Floor	Stiffener(s)
TJHLA1830	18"	30"	29"	39 ³ / ₈ "	22.15"	23"	
TJHLA1836	18"	36"	29"	39 ³ / ₈ "	28.15"	23"	
TJHLA1842	18"	42"	29"	39 ³ / ₈ "	28.15"	23"	
TJHLA1848	18"	48"	29"	39 ³ / ₈ "	40.15"	23"	
TJHLA1854	18"	54"	29"	39 ³ / ₈ "	40.15"	23"	
TJHLA1860	18"	60"	29"	39 ³ / ₈ "	52.15"	23"	
TJHLA1866	18"	66"	29"	39 ³ / ₈ "	52.15"	23"	
TJHLA1872	18"	72"	29"	39 ³ / ₈ "	64.15"	23"	•
TJHLA2430	24"	30"	29"	42 ³ / ₈ "	22.15"	23"	
TJHLA2436	24"	36"	29"	42 ³ / ₈ "	28.15"	23"	
TJHLA2442	24"	42"	29"	42 ³ / ₈ "	28.15"	23"	
TJHLA2448	24"	48"	29"	42 ³ / ₈ "	40.15"	23"	
TJHLA2454	24"	54"	29"	42 ³ / ₈ "	40.15"	23"	
TJHLA2460	24"	60"	29"	42 ³ / ₈ "	52.15"	23"	
TJHLA2466	24"	66"	29"	42 ³ / ₈ "	52.15"	23"	
TJHLA2472	24"	72"	29"	42 ³ / ₈ "	64.15"	23"	•
TJHLA3036	30"	36"	29"	45 ³ / ₈ "	28 ¹ / ₈ "	23"	
TJHLA3042	30"	42"	29"	45 ³ / ₈ "	34 ¹ / ₈ "	23"	
TJHLA3048	30"	48"	29"	45 ³ / ₈ "	40 ¹ / ₈ "	23"	
TJHLA3054	30"	54"	29"	45 ³ / ₈ "	46 ¹ / ₈ "	23"	
TJHLA3060	30"	60"	29"	45 ³ / ₈ "	52 ¹ / ₈ "	23"	
TJHLA3066	30"	66"	29"	45 ³ / ₈ "	58 ¹ / ₈ "	23"	
TJHLA3072	30"	72"	29"	45 ³ / ₈ "	64 ¹ / ₈ "	23"	•
TJHLA3636	36"	36"	29"	48 ³ / ₈ "	28 ¹ / ₈ "	23"	
TJHLA3642	36"	42"	29"	48 ³ / ₈ "	34 ¹ / ₈ "	23"	
TJHLA3648	36"	48"	29"	48 ³ / ₈ "	40 ¹ / ₈ "	23"	
TJHLA3654	36"	54"	29"	48 ³ / ₈ "	46 ¹ / ₈ "	23"	
TJHLA3660	36"	60"	29"	48 ³ / ₈ "	52 ¹ / ₈ "	23"	
TJHLA3666	36"	66"	29"	48 ³ / ₈ "	58 ¹ / ₈ "	23"	
TJHLA3672	36"	72"	29"	48 ³ / ₈ "	64 ¹ / ₈ "	23"	•

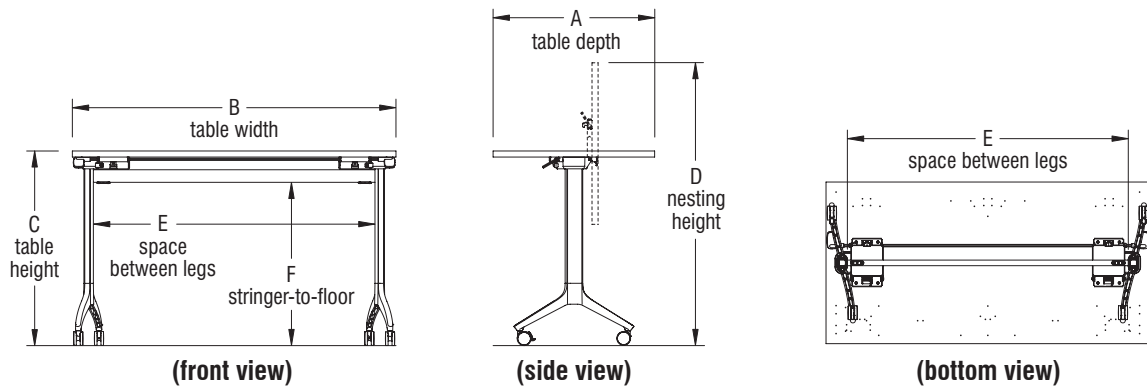
(model TJHLA3060/74P shown below)



DIMENSIONS
 (cont.)

36" Fixed-Height Tributaire Rectangular Training Tables - Nesting-Top Base (74P or KN edge)							
Model Number	A Table Depth	B Table Width	C Table Height	D Nesting Height	E Space Between Legs	F Stringer-to-Floor	Stiffener(s)
TJHMA2430	24"	30"	36"	49.30"	22.15"	30"	
TJHMA2436	24"	36"	36"	49.30"	28.15"	30"	
TJHMA2442	24"	42"	36"	49.30"	28.15"	30"	
TJHMA2448	24"	48"	36"	49.30"	40.15"	30"	
TJHMA2454	24"	54"	36"	49.30"	40.15"	30"	
TJHMA2460	24"	60"	36"	49.30"	52.15"	30"	
TJHMA2466	24"	66"	36"	49.30"	52.15"	30"	
TJHMA2472	24"	72"	36"	49.30"	64.15"	30"	•
TJHMA3036	30"	36"	36"	52.30"	28.15"	30"	
TJHMA3042	30"	42"	36"	52.30"	28.15"	30"	
TJHMA3048	30"	48"	36"	52.30"	40.15"	30"	
TJHMA3054	30"	54"	36"	52.30"	40.15"	30"	
TJHMA3060	30"	60"	36"	52.30"	52.15"	30"	
TJHMA3066	30"	66"	36"	52.30"	52.15"	30"	
TJHMA3072	30"	72"	36"	52.30"	64.15"	30"	•
TJHMA3636	36"	36"	36"	55.30"	28.15"	30"	
TJHMA3642	36"	42"	36"	55.30"	28.15"	30"	
TJHMA3648	36"	48"	36"	55.30"	40.15"	30"	
TJHMA3654	36"	54"	36"	55.30"	40.15"	30"	
TJHMA3660	36"	60"	36"	55.30"	52.15"	30"	
TJHMA3666	36"	66"	36"	55.30"	52.15"	30"	
TJHMA3672	36"	72"	36"	55.30"	64.15"	30"	•

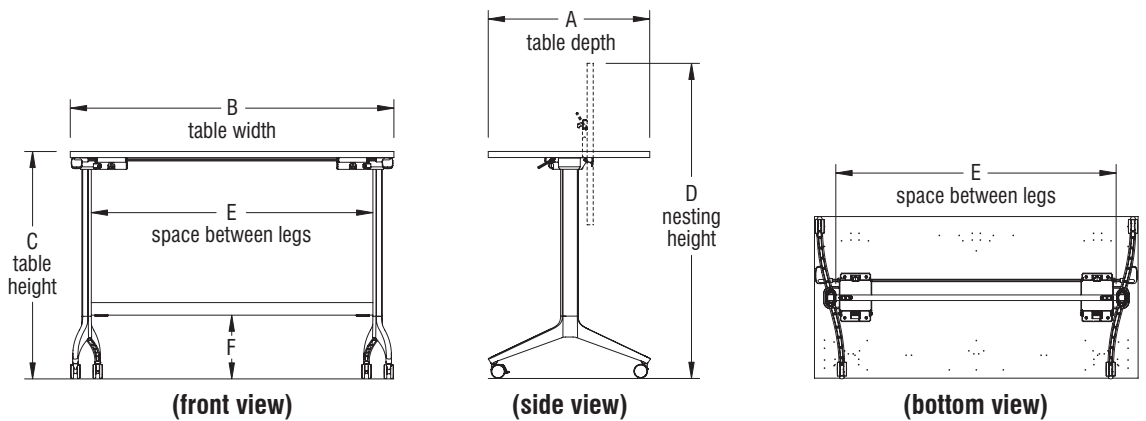
(model TJHMA3060/74P shown below)



**DIMENSIONS
 (cont.)**

42" Fixed-Height Tributaire Rectangular Training Tables - Nesting-Top Base (74P or KN edge)							
Model Number	A Table Depth	B Table Width	C Table Height	D Nesting Height	E Space Between Legs	F Stringer-to-Floor	Stiffener(s)
TJHNA2430	24"	30"	42"	55.30"	22.15"	11.48"	
TJHNA2436	24"	36"	42"	55.30"	28.15"	11.48"	
TJHNA2442	24"	42"	42"	55.30"	28.15"	11.48"	
TJHNA2448	24"	48"	42"	55.30"	40.15"	11.48"	
TJHNA2454	24"	54"	42"	55.30"	40.15"	11.48"	
TJHNA2460	24"	60"	42"	55.30"	52.15"	11.48"	
TJHNA2466	24"	66"	42"	55.30"	52.15"	11.48"	
TJHNA2472	24"	72"	42"	55.30"	64.15"	11.48"	•
TJHNA3036	30"	36"	42"	58.30"	28.15"	11.48"	
TJHNA3042	30"	42"	42"	58.30"	28.15"	11.48"	
TJHNA3048	30"	48"	42"	58.30"	40.15"	11.48"	
TJHNA3054	30"	54"	42"	58.30"	40.15"	11.48"	
TJHNA3060	30"	60"	42"	58.30"	52.15"	11.48"	
TJHNA3066	30"	66"	42"	58.30"	52.15"	11.48"	
TJHNA3072	30"	72"	42"	58.30"	64.15"	11.48"	•
TJHNA3636	36"	36"	42"	61.30"	28.15"	11.48"	
TJHNA3642	36"	42"	42"	61.30"	28.15"	11.48"	
TJHNA3648	36"	48"	42"	61.30"	40.15"	11.48"	
TJHNA3654	36"	54"	42"	61.30"	40.15"	11.48"	
TJHNA3660	36"	60"	42"	61.30"	52.15"	11.48"	
TJHNA3666	36"	66"	42"	61.30"	52.15"	11.48"	
TJHNA3672	36"	72"	42"	61.30"	64.15"	11.48"	•

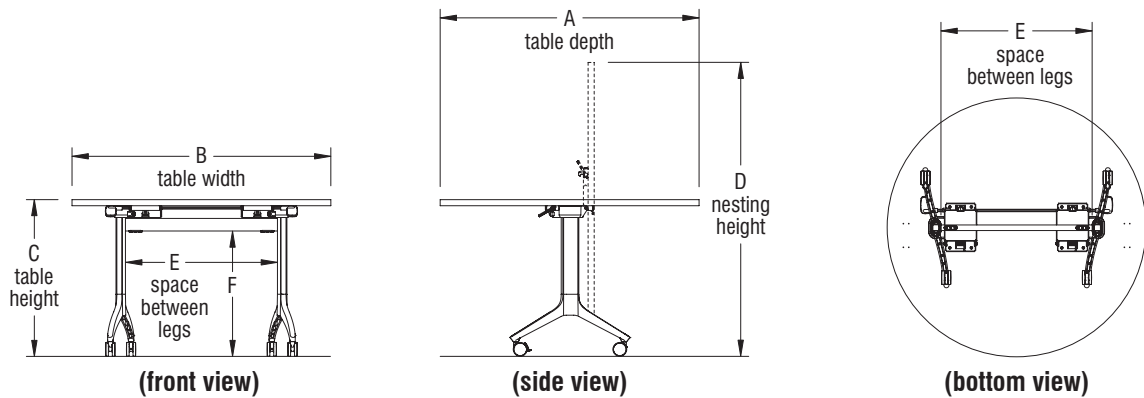
(model TJHNA3060/74P shown below)



DIMENSIONS
 (cont.)

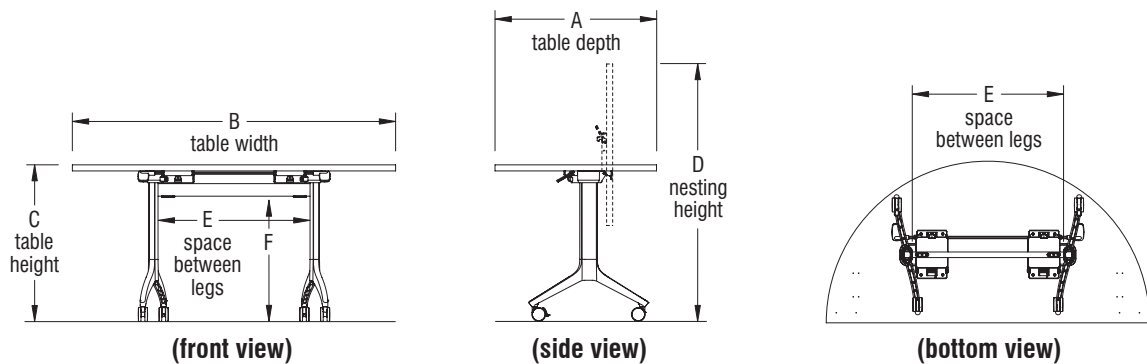
29" Fixed-Height Tributaire Round Training Tables - Nesting-Top Base (74P or KN edge)						
Model Number	A Table Depth	B Table Width	C Table Height	D Nesting Height	E Space Between Legs	F Stringer-to-Floor
TJHLB42	42"	42"	29"	51.40"	28.20"	23"
TJHLB48	48"	48"	29"	51.40"	28.20"	23"

(model TJHLB48/74P shown below)



29" Fixed-Height Tributaire Half-Round Training Tables - Nesting-Top Base (74P or KN edge)						
Model Number	A Table Depth	B Table Width	C Table Height	D Nesting Height	E Space Between Legs	F Stringer-to-Floor
TJHLQ2448	24"	48"	29"	44.70"	28.15"	23"
TJHLQ3060	30"	60"	29"	47.60"	28.15"	23"
TJHLQ3672	36"	72"	29"	50.70"	40.15"	23"

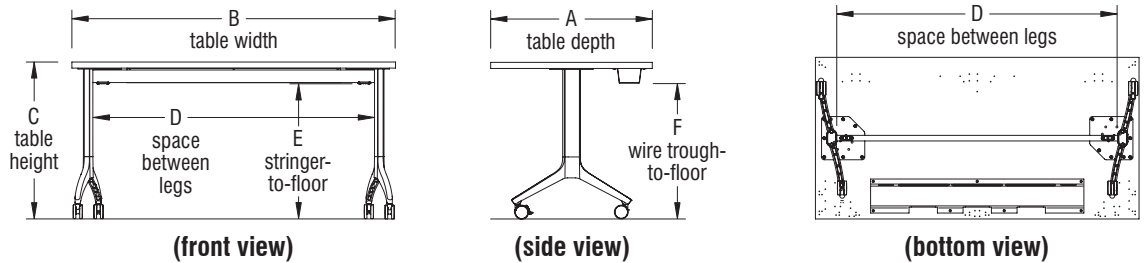
(model TJHLQ3060/74P shown below)



**DIMENSIONS
 (cont.)**

29" Fixed-Height Tributaire Single-Circuit Rectangular Training Tables - Fixed-Top Base (74P or KN edge)						
Model Number	A Table Depth	B Table Width	C Table Height	D Space Between Legs	E Stringer-to-Floor	F Wire Trough-to-Floor
TJAA2436	24"	36"	29"	28.15"	25"	25.12"
TJAA2442	24"	42"	29"	34.15"	25"	25.12"
TJAA2448	24"	48"	29"	40.15"	25"	25.12"
TJAA2454	24"	54"	29"	46.15"	25"	25.12"
TJAA2460	24"	60"	29"	52.15"	25"	25.12"
TJAA2466	24"	66"	29"	58.15"	25"	25.12"
TJAA2472	24"	72"	29"	64.15"	25"	25.12"
TJAA3036	30"	36"	29"	28.15"	25"	25.12"
TJAA3042	30"	42"	29"	34.15"	25"	25.12"
TJAA3048	30"	48"	29"	40.15"	25"	25.12"
TJAA3054	30"	54"	29"	46.15"	25"	25.12"
TJAA3060	30"	60"	29"	52.15"	25"	25.12"
TJAA3066	30"	66"	29"	58.15"	25"	25.12"
TJAA3072	30"	72"	29"	64.15"	25"	25.12"
TJAA3636	36"	36"	29"	28.15"	25"	25.12"
TJAA3642	36"	42"	29"	34.15"	25"	25.12"
TJAA3648	36"	48"	29"	40.15"	25"	25.12"
TJAA3654	36"	54"	29"	46.15"	25"	25.12"
TJAA3660	36"	60"	29"	52.15"	25"	25.12"
TJAA3666	36"	66"	29"	58.15"	25"	25.12"
TJAA3672	36"	72"	29"	64.15"	25"	25.12"

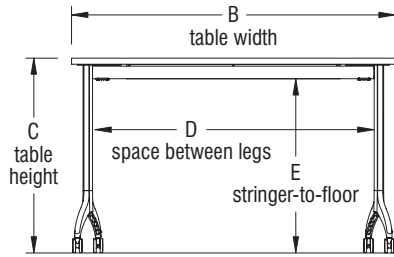
(model TJAA3060/74P shown below)



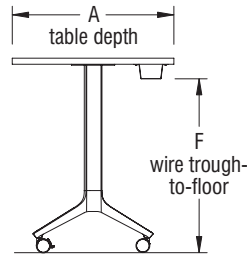
DIMENSIONS
 (cont.)

36" Fixed-Height Tributaire Single-Circuit Rectangular Training Tables - Fixed-Top Base (74P or KN edge)						
Model Number	A Table Depth	B Table Width	C Table Height	D Space Between Legs	E Stringer-to-Floor	F Wire Trough-to-Floor
TJJBA2436	24"	36"	36"	28.15"	32"	32.12"
TJJBA2442	24"	42"	36"	34.15"	32"	32.12"
TJJBA2448	24"	48"	36"	40.15"	32"	32.12"
TJJBA2454	24"	54"	36"	46.15"	32"	32.12"
TJJBA2460	24"	60"	36"	52.15"	32"	32.12"
TJJBA2466	24"	66"	36"	58.15"	32"	32.12"
TJJBA2472	24"	72"	36"	64.15"	32"	32.12"
TJJBA3036	30"	36"	36"	28.15"	32"	32.12"
TJJBA3042	30"	42"	36"	34.15"	32"	32.12"
TJJBA3048	30"	48"	36"	40.15"	32"	32.12"
TJJBA3054	30"	54"	36"	46.15"	32"	32.12"
TJJBA3060	30"	60"	36"	52.15"	32"	32.12"
TJJBA3066	30"	66"	36"	58.15"	32"	32.12"
TJJBA3072	30"	72"	36"	64.15"	32"	32.12"

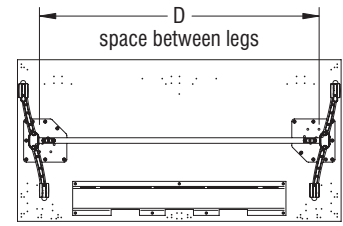
(model TJJBA3060/74P shown below)



(front view)



(side view)

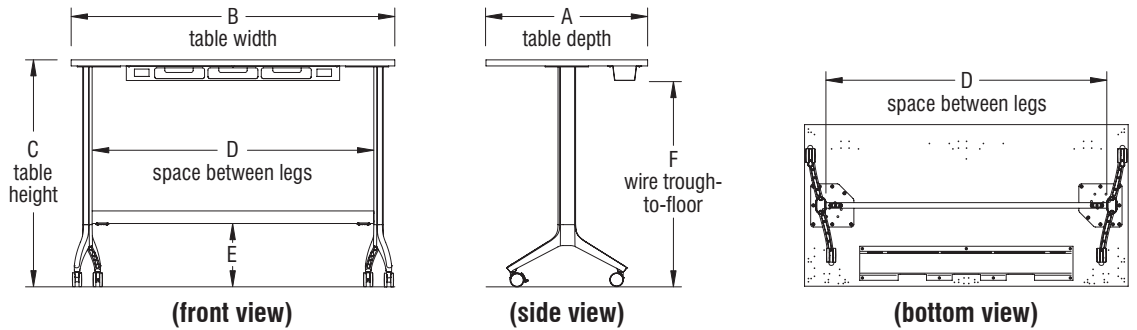


(bottom view)

**DIMENSIONS
 (cont.)**

42" Fixed-Height Tributaire Single-Circuit Rectangular Training Tables - Fixed-Top Base (74P or KN edge)						
Model Number	A Table Depth	B Table Width	C Table Height	D Space Between Legs	E Stringer-to-Floor	F Wire Trough-to-Floor
TJJCA2436	24"	36"	42"	28.15"	11.46"	38.12"
TJJCA2442	24"	42"	42"	34.15"	11.46"	38.12"
TJJCA2448	24"	48"	42"	40.15"	11.46"	38.12"
TJJCA2454	24"	54"	42"	46.15"	11.46"	38.12"
TJJCA2460	24"	60"	42"	52.15"	11.46"	38.12"
TJJCA2466	24"	66"	42"	58.15"	11.46"	38.12"
TJJCA2472	24"	72"	42"	64.15"	11.46"	38.12"
TJJCA3036	30"	36"	42"	28.15"	11.46"	38.12"
TJJCA3042	30"	42"	42"	34.15"	11.46"	38.12"
TJJCA3048	30"	48"	42"	40.15"	11.46"	38.12"
TJJCA3054	30"	54"	42"	46.15"	11.46"	38.12"
TJJCA3060	30"	60"	42"	52.15"	11.46"	38.12"
TJJCA3066	30"	66"	42"	58.15"	11.46"	38.12"
TJJCA3072	30"	72"	42"	64.15"	11.46"	38.12"

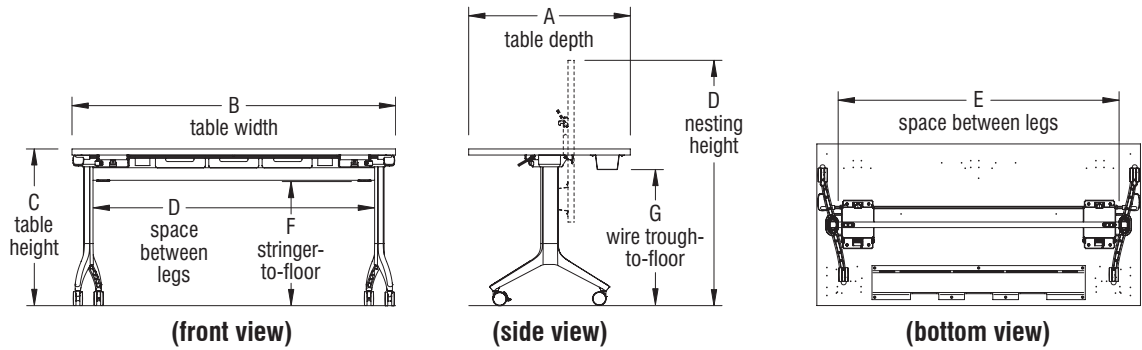
(model TJJCA3060/74P shown below)



DIMENSIONS
 (cont.)

29" Fixed-Height Tributaire Single-Circuit Rectangular Training Tables - Nesting-Top Base (74P or KN edge)							
Model Number	A Table Depth	B Table Width	C Table Height	D Nesting Height	E Space Between Legs	F Stringer-to-Floor	G Wire Trough-to-Floor
TJLA2436	24"	36"	29"	42.30"	28.15"	23"	25.12"
TJLA2442	24"	42"	29"	42.30"	28.15"	23"	25.12"
TJLA2448	24"	48"	29"	42.30"	40.15"	23"	25.12"
TJLA2454	24"	54"	29"	42.30"	40.15"	23"	25.12"
TJLA2460	24"	60"	29"	42.30"	52.15"	23"	25.12"
TJLA2466	24"	66"	29"	42.30"	52.15"	23"	25.12"
TJLA2472	24"	72"	29"	42.30"	64.15"	23"	25.12"
TJLA3036	30"	36"	29"	45.30"	28.15"	23"	25.12"
TJLA3042	30"	42"	29"	45.30"	28.15"	23"	25.12"
TJLA3048	30"	48"	29"	45.30"	40.15"	23"	25.12"
TJLA3054	30"	54"	29"	45.30"	40.15"	23"	25.12"
TJLA3060	30"	60"	29"	45.30"	52.15"	23"	25.12"
TJLA3066	30"	66"	29"	45.30"	52.15"	23"	25.12"
TJLA3072	30"	72"	29"	45.30"	64.15"	23"	25.12"
TJLA3636	36"	36"	29"	48.30"	28.15"	23"	25.12"
TJLA3642	36"	42"	29"	48.30"	28.15"	23"	25.12"
TJLA3648	36"	48"	29"	48.30"	40.15"	23"	25.12"
TJLA3654	36"	54"	29"	48.30"	40.15"	23"	25.12"
TJLA3660	36"	60"	29"	48.30"	52.15"	23"	25.12"
TJLA3666	36"	66"	29"	48.30"	52.15"	23"	25.12"
TJLA3672	36"	72"	29"	48.30"	64.15"	23"	25.12"

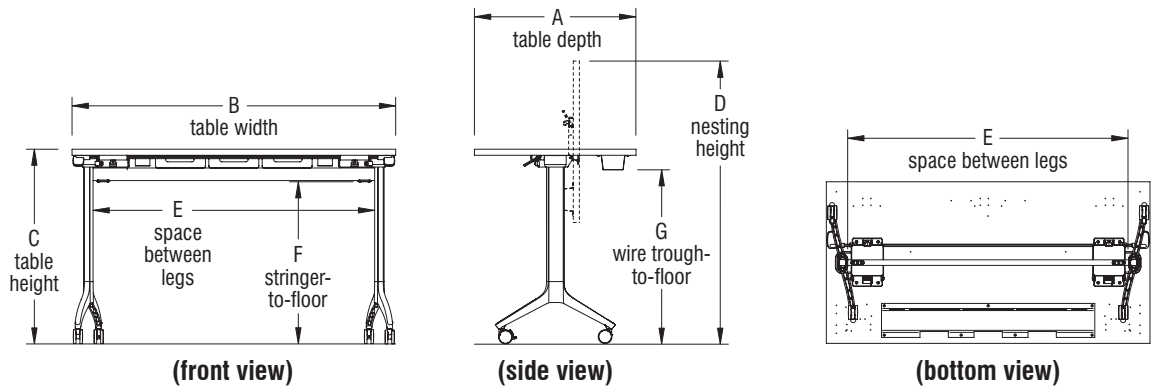
(model TJLA3060/74P shown below)



**DIMENSIONS
 (cont.)**

36" Fixed-Height Tributaire Single-Circuit Rectangular Training Tables - Nesting-Top Base (74P or KN edge)							
Model Number	A Table Depth	B Table Width	C Table Height	D Nesting Height	E Space Between Legs	F Stringer-to-Floor	G Wire Trough-to-Floor
TJJMA2436	24"	36"	36"	49.30"	28.15"	30"	32.12"
TJJMA2442	24"	42"	36"	49.30"	28.15"	30"	32.12"
TJJMA2448	24"	48"	36"	49.30"	40.15"	30"	32.12"
TJJMA2454	24"	54"	36"	49.30"	40.15"	30"	32.12"
TJJMA2460	24"	60"	36"	49.30"	52.15"	30"	32.12"
TJJMA2466	24"	66"	36"	49.30"	52.15"	30"	32.12"
TJJMA2472	24"	72"	36"	49.30"	64.15"	30"	32.12"
TJJMA3036	30"	36"	36"	52.30"	28.15"	30"	32.12"
TJJMA3042	30"	42"	36"	52.30"	28.15"	30"	32.12"
TJJMA3048	30"	48"	36"	52.30"	40.15"	30"	32.12"
TJJMA3054	30"	54"	36"	52.30"	40.15"	30"	32.12"
TJJMA3060	30"	60"	36"	52.30"	52.15"	30"	32.12"
TJJMA3066	30"	66"	36"	52.30"	52.15"	30"	32.12"
TJJMA3072	30"	72"	36"	52.30"	64.15"	30"	32.12"

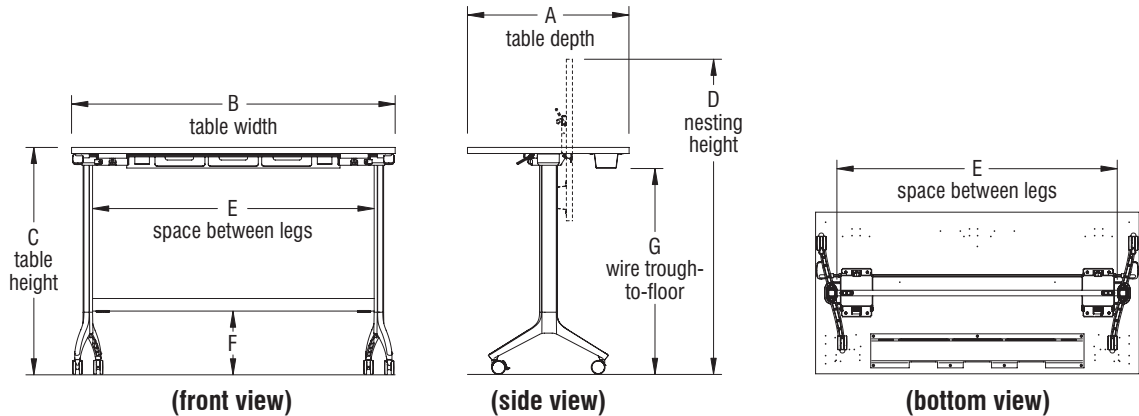
(model TJJMA3060/74P shown below)



DIMENSIONS
 (cont.)

42" Fixed-Height Tributaire Single-Circuit Rectangular Training Tables - Nesting-Top Base (74P or KN edge)							
Model Number	A Table Depth	B Table Width	C Table Height	D Nesting Height	E Space Between Legs	F Stringer-to-Floor	G Wire Trough-to-Floor
TJUNA2436	24"	36"	42"	55.30"	28.15"	11.46"	38.12"
TJUNA2442	24"	42"	42"	55.30"	28.15"	11.46"	38.12"
TJUNA2448	24"	48"	42"	55.30"	40.15"	11.46"	38.12"
TJUNA2454	24"	54"	42"	55.30"	40.15"	11.46"	38.12"
TJUNA2460	24"	60"	42"	55.30"	52.15"	11.46"	38.12"
TJUNA2466	24"	66"	42"	55.30"	52.15"	11.46"	38.12"
TJUNA2472	24"	72"	42"	55.30"	64.15"	11.46"	38.12"
TJUNA3036	30"	36"	42"	58.30"	28.15"	11.46"	38.12"
TJUNA3042	30"	42"	42"	58.30"	28.15"	11.46"	38.12"
TJUNA3048	30"	48"	42"	58.30"	40.15"	11.46"	38.12"
TJUNA3054	30"	54"	42"	58.30"	40.15"	11.46"	38.12"
TJUNA3060	30"	60"	42"	58.30"	52.15"	11.46"	38.12"
TJUNA3066	30"	66"	42"	58.30"	52.15"	11.46"	38.12"
TJUNA3072	30"	72"	42"	58.30"	64.15"	11.46"	38.12"

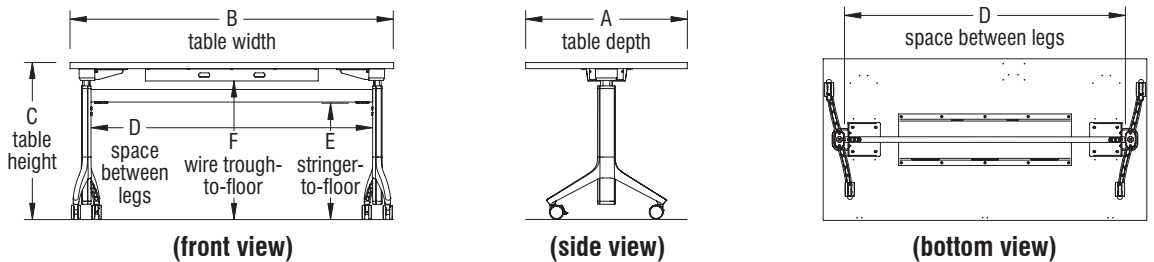
(model TJUNA3060/74P shown below)



**DIMENSIONS
 (cont.)**

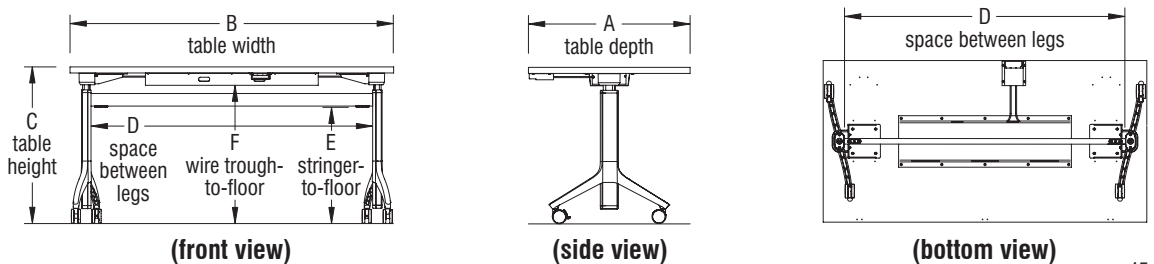
Tributaire Rectangular Screw-Adjustable Height Training Tables - Fixed-Top Base (74P or KN edge)						
Model Number	A Table Depth	B Table Width	C Table Height	D Space Between Legs	E Stringer-to-Floor	F Wire Trough-to-Floor
TJHFA2448	24"	48"	29"-44"	40.15"	21.66"-36.66"	29.21"-40.21"
TJHFA2454	24"	54"	29"-44"	40.15"	21.66"-36.66"	29.21"-40.21"
TJHFA2460	24"	60"	29"-44"	52.15"	21.66"-36.66"	29.21"-40.21"
TJHFA2466	24"	66"	29"-44"	52.15"	21.66"-36.66"	29.21"-40.21"
TJHFA2472	24"	72"	29"-44"	64.15"	21.66"-36.66"	29.21"-40.21"
TJHFA3048	30"	48"	29"-44"	40.15"	21.66"-36.66"	29.21"-40.21"
TJHFA3054	30"	54"	29"-44"	40.15"	21.66"-36.66"	29.21"-40.21"
TJHFA3060	30"	60"	29"-44"	52.15"	21.66"-36.66"	29.21"-40.21"
TJHFA3066	30"	66"	29"-44"	52.15"	21.66"-36.66"	29.21"-40.21"
TJHFA3072	30"	72"	29"-44"	64.15"	21.66"-36.66"	29.21"-40.21"

(model TJHFA3060/74P shown below)



Tributaire Rectangular Pneumatic-Adjustable Height Training Tables - Fixed-Top Base (74P or KN edge)						
Model Number	A Table Depth	B Table Width	C Table Height	D Space Between Legs	E Stringer-to-Floor	F Wire Trough-to-Floor
TJHJA2448	24"	48"	29"-44"	40.15"	21.66"-36.66"	29.21"-40.21"
TJHJA2454	24"	54"	29"-44"	40.15"	21.66"-36.66"	29.21"-40.21"
TJHJA2460	24"	60"	29"-44"	52.15"	21.66"-36.66"	29.21"-40.21"
TJHJA2466	24"	66"	29"-44"	52.15"	21.66"-36.66"	29.21"-40.21"
TJHJA2472	24"	72"	29"-44"	64.15"	21.66"-36.66"	29.21"-40.21"
TJHJA3048	30"	48"	29"-44"	40.15"	21.66"-36.66"	29.21"-40.21"
TJHJA3054	30"	54"	29"-44"	40.15"	21.66"-36.66"	29.21"-40.21"
TJHJA3060	30"	60"	29"-44"	52.15"	21.66"-36.66"	29.21"-40.21"
TJHJA3066	30"	66"	29"-44"	52.15"	21.66"-36.66"	29.21"-40.21"
TJHJA3072	30"	72"	29"-44"	64.15"	21.66"-36.66"	29.21"-40.21"

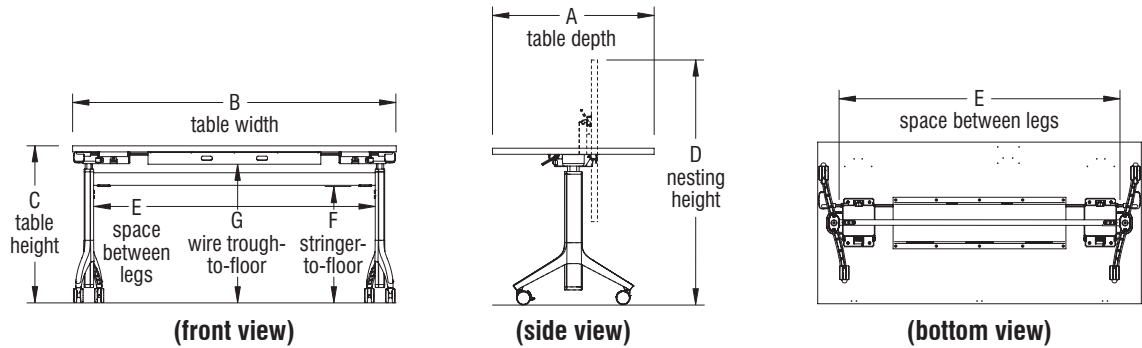
(model TJHJA3060/74P shown below)



DIMENSIONS
 (cont.)

Tributaire Rectangular Screw-Adjustable Height Training Tables - Nesting-Top Base (74P or KN edge)							
Model Number	A Table Depth	B Table Width	C Table Height	D Nesting Height	E Space Between Legs	F Stringer-to-Floor	G Wire Trough-to-Floor
TJHQA2448	24"	48"	29"-44"	42.30"-57.30"	40.25"	21.66"-36.66"	29.21"-40.21"
TJHQA2454	24"	54"	29"-44"	42.30"-57.30"	40.25"	21.66"-36.66"	29.21"-40.21"
TJHQA2460	24"	60"	29"-44"	42.30"-57.30"	52.25"	21.66"-36.66"	29.21"-40.21"
TJHQA2466	24"	66"	29"-44"	42.30"-57.30"	52.25"	21.66"-36.66"	29.21"-40.21"
TJHQA2472	24"	72"	29"-44"	42.30"-57.30"	64.25"	21.66"-36.66"	29.21"-40.21"
TJHQA3048	30"	48"	29"-44"	45.30"-60.30"	40.25"	21.66"-36.66"	29.21"-40.21"
TJHQA3054	30"	54"	29"-44"	45.30"-60.30"	40.25"	21.66"-36.66"	29.21"-40.21"
TJHQA3060	30"	60"	29"-44"	45.30"-60.30"	52.25"	21.66"-36.66"	29.21"-40.21"
TJHQA3066	30"	66"	29"-44"	45.30"-60.30"	52.25"	21.66"-36.66"	29.21"-40.21"
TJHQA3072	30"	72"	29"-44"	45.30"-60.30"	64.25"	21.66"-36.66"	29.21"-40.21"

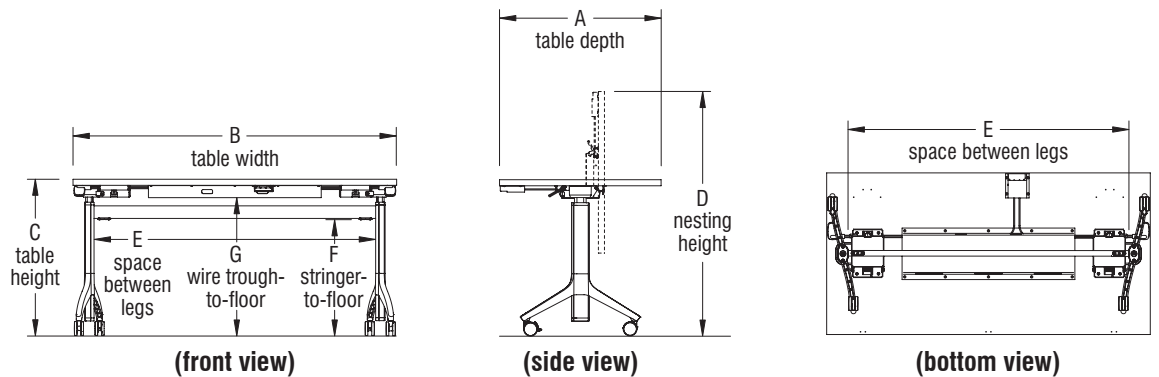
(model TJHQA3060/74P shown below)



**DIMENSIONS
 (cont.)**

Tributaire Rectangular Pneumatic-Adjustable Height Training Tables - Nesting-Top Base (74P or KN edge)							
Model Number	A Table Depth	B Table Width	C Table Height	D Nesting Height	E Space Between Legs	F Stringer-to-Floor	G Wire Trough-to-Floor
TJHPA2448	24"	48"	29"-44"	42.20"-57.20"	40.15"	21.66"-36.66"	29.21"-40.21"
TJHPA2454	24"	54"	29"-44"	42.20"-57.20"	40.15"	21.66"-36.66"	29.21"-40.21"
TJHPA2460	24"	60"	29"-44"	42.20"-57.20"	52.15"	21.66"-36.66"	29.21"-40.21"
TJHPA2466	24"	66"	29"-44"	42.20"-57.20"	52.15"	21.66"-36.66"	29.21"-40.21"
TJHPA2472	24"	72"	29"-44"	42.20"-57.20"	64.15"	21.66"-36.66"	29.21"-40.21"
TJHPA3048	30"	48"	29"-44"	45.20"-60.20"	40.15"	21.66"-36.66"	29.21"-40.21"
TJHPA3054	30"	54"	29"-44"	45.20"-60.20"	40.15"	21.66"-36.66"	29.21"-40.21"
TJHPA3060	30"	60"	29"-44"	45.20"-60.20"	52.15"	21.66"-36.66"	29.21"-40.21"
TJHPA3066	30"	66"	29"-44"	45.20"-60.20"	52.15"	21.66"-36.66"	29.21"-40.21"
TJHPA3072	30"	72"	29"-44"	45.20"-60.20"	64.15"	21.66"-36.66"	29.21"-40.21"

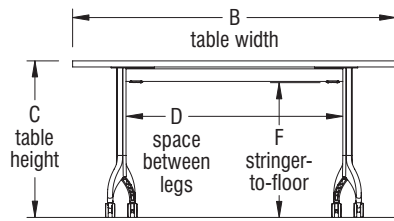
(model TJHPA3060/74P shown below)



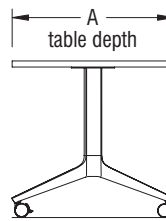
DIMENSIONS
 (cont.)

Tributaire Collaborative Training Tables - Fixed-Top Base (74P or KN edge)					
Model Number	A Table Depth	B Table Width	C Table Height	D Space Between Legs	E Stringer-to-Floor
TJGAA2460	24"	60"	29"	40.15"	25"
TJGAA2466	24"	66"	29"	40.15"	25"
TJGAA2472	24"	72"	29"	40.15"	25"
TJGAA2484	24"	84"	29"	52.15"	25"
TJGAA2496	24"	96"	29"	64.15"	25"
TJGAA3060	30"	60"	29"	40.15"	25"
TJGAA3066	30"	66"	29"	40.15"	25"
TJGAA3072	30"	72"	29"	40.15"	25"
TJGAA3084	30"	84"	29"	52.15"	25"
TJGAA3096	30"	96"	29"	64.15"	25"
TJGAA3660	36"	60"	29"	40.15"	25"
TJGAA3666	36"	66"	29"	40.15"	25"
TJGAA3672	36"	72"	29"	40.15"	25"
TJGAA3684	36"	84"	29"	52.15"	25"
TJGAA3696	36"	96"	29"	64.15"	25"

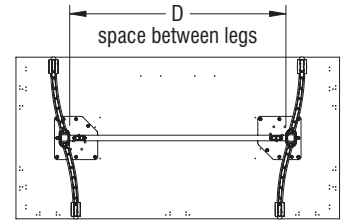
(model TJGAA3060/74P shown below)



(front view)



(side view)

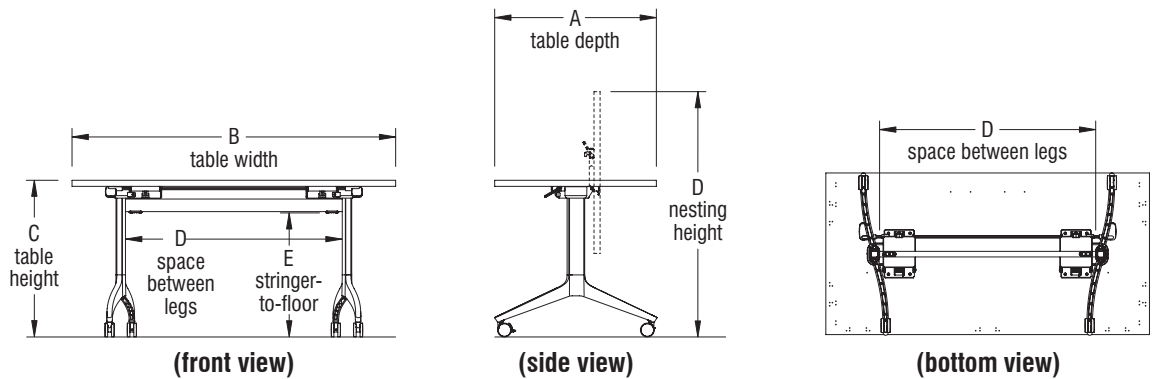


(bottom view)

**DIMENSIONS
 (cont.)**

Tributaire Collaborative Training Tables - Nesting-Top Base (74P or KN edge)						
Model Number	A Table Depth	B Table Width	C Table Height	D Nesting Height	D Space Between Legs	E Stringer-to-Floor
TJGLA2460	24"	60"	29"	42 ³ / ₈ "	40 ¹ / ₈ "	23"
TJGLA2466	24"	66"	29"	42 ³ / ₈ "	40 ¹ / ₈ "	23"
TJGLA2472	24"	72"	29"	42 ³ / ₈ "	40 ¹ / ₈ "	23"
TJGLA2484	24"	84"	29"	42 ³ / ₈ "	52 ¹ / ₈ "	23"
TJGLA2496	24"	96"	29"	42 ³ / ₈ "	64 ¹ / ₈ "	23"
TJGLA3060	30"	60"	29"	45 ³ / ₈ "	40 ¹ / ₈ "	23"
TJGLA3066	30"	66"	29"	45 ³ / ₈ "	40 ¹ / ₈ "	23"
TJGLA3072	30"	72"	29"	45 ³ / ₈ "	40 ¹ / ₈ "	23"
TJGLA3084	30"	84"	29"	45 ³ / ₈ "	52 ¹ / ₈ "	23"
TJGLA3096	30"	96"	29"	45 ³ / ₈ "	64 ¹ / ₈ "	23"
TJGLA3660	36"	60"	29"	48 ³ / ₈ "	40 ¹ / ₈ "	23"
TJGLA3666	36"	66"	29"	48 ³ / ₈ "	40 ¹ / ₈ "	23"
TJGLA3672	36"	72"	29"	48 ³ / ₈ "	40 ¹ / ₈ "	23"
TJGLA3684	36"	84"	29"	48 ³ / ₈ "	52 ¹ / ₈ "	23"
TJGLA3696	36"	96"	29"	48 ³ / ₈ "	64 ¹ / ₈ "	23"

(model TJGLA3060/74P shown below)



**STATEMENT OF
 LINE**

Fixed-Height Training Tables - Fixed-Top Base



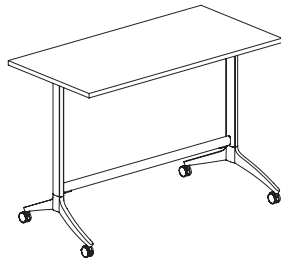
29" Fixed-Height
 Fixed-Top Base

TJHAA1830	TJHAA2430	TJHAA3036	TJHAA3636
TJHAA1836	TJHAA2436	TJHAA3042	TJHAA3642
TJHAA1842	TJHAA2442	TJHAA3048	TJHAA3648
TJHAA1848	TJHAA2448	TJHAA3054	TJHAA3654
TJHAA1854	TJHAA2454	TJHAA3060	TJHAA3660
TJHAA1860	TJHAA2460	TJHAA3066	TJHAA3666
TJHAA1866	TJHAA2466	TJHAA3072	TJHAA3672
TJHAA1872	TJHAA2472		



36" Fixed-Height
 Fixed-Top Base

TJHBA1830	TJHBA2430	TJHBA3036	TJHBA3636
TJHBA1836	TJHBA2436	TJHBA3042	TJHBA3642
TJHBA1842	TJHBA2442	TJHBA3048	TJHBA3648
TJHBA1848	TJHBA2448	TJHBA3054	TJHBA3654
TJHBA1854	TJHBA2454	TJHBA3060	TJHBA3660
TJHBA1860	TJHBA2460	TJHBA3066	TJHBA3666
TJHBA1866	TJHBA2466	TJHBA3072	TJHBA3672
TJHBA1872	TJHBA2472		

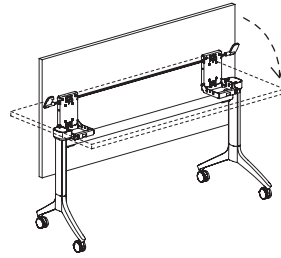


42" Fixed-Height
 Fixed-Top Base

TJHCA1830	TJHCA2430	TJHCA3036	TJHCA3636
TJHCA1836	TJHCA2436	TJHCA3042	TJHCA3642
TJHCA1842	TJHCA2442	TJHCA3048	TJHCA3648
TJHCA1848	TJHCA2448	TJHCA3054	TJHCA3654
TJHCA1854	TJHCA2454	TJHCA3060	TJHCA3660
TJHCA1860	TJHCA2460	TJHCA3066	TJHCA3666
TJHCA1866	TJHCA2466	TJHCA3072	TJHCA3672
TJHCA1872	TJHCA2472		

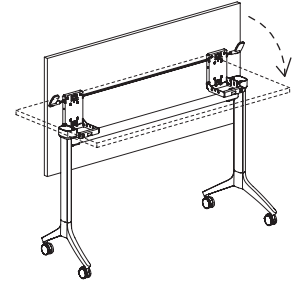
STATEMENT OF
 LINE (cont.)

Fixed-Height Training Tables - Nesting-Top Base



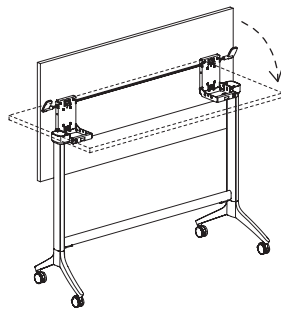
29" Fixed-Height
 Nesting-Top Base

TJHLA1830	TJHLA2430	TJHLA3036	TJHLA3636
TJHLA1836	TJHLA2436	TJHLA3042	TJHLA3642
TJHLA1842	TJHLA2442	TJHLA3048	TJHLA3648
TJHLA1848	TJHLA2448	TJHLA3054	TJHLA3654
TJHLA1854	TJHLA2454	TJHLA3060	TJHLA3660
TJHLA1860	TJHLA2460	TJHLA3066	TJHLA3666
TJHLA1866	TJHLA2466	TJHLA3072	TJHLA3672
TJHLA1872	TJHLA2472		



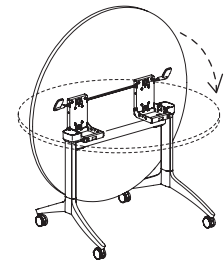
36" Fixed-Height
 Nesting-Top Base

TJHMA2430	TJHMA3036	TJHMA3636
TJHMA2436	TJHMA3042	TJHMA3642
TJHMA2442	TJHMA3048	TJHMA3648
TJHMA2448	TJHMA3054	TJHMA3654
TJHMA2454	TJHMA3060	TJHMA3660
TJHMA2460	TJHMA3066	TJHMA3666
TJHMA2466	TJHMA3072	TJHMA3672
TJHMA2472		



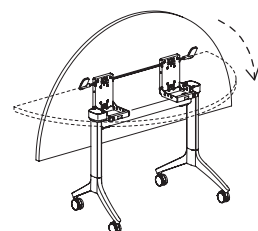
42" Fixed-Height
 Nesting-Top Base

TJHNA2430	TJHNA3036	TJHNA3636
TJHNA2436	TJHNA3042	TJHNA3642
TJHNA2442	TJHNA3048	TJHNA3648
TJHNA2448	TJHNA3054	TJHNA3654
TJHNA2454	TJHNA3060	TJHNA3660
TJHNA2460	TJHNA3066	TJHNA3666
TJHNA2466	TJHNA3072	TJHNA3672
TJHNA2472		



29" Fixed-Height
 Nesting-Top Base
 Round

TJHLB42
TJHLB48



29" Fixed-Height
 Nesting-Top Base
 Half-Round

TJHLQ2448
TJHLQ3060
TJHLQ3672

**STATEMENT OF
 LINE (cont.)**

Fixed-Height Single-Circuit Training Tables - Fixed-Top Base



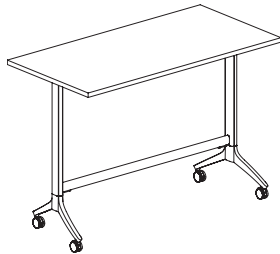
29" Fixed-Height
 Fixed-Top Base

TJAA2436	TJAA3036	TJAA3636
TJAA2442	TJAA3042	TJAA3642
TJAA2448	TJAA3048	TJAA3648
TJAA2454	TJAA3054	TJAA3654
TJAA2460	TJAA3060	TJAA3660
TJAA2466	TJAA3066	TJAA3666
TJAA2472	TJAA3072	TJAA3672



36" Fixed-Height
 Fixed-Top Base

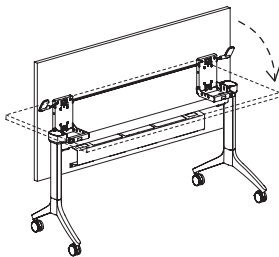
TJBA2436	TJBA3036
TJBA2442	TJBA3042
TJBA2448	TJBA3048
TJBA2454	TJBA3054
TJBA2460	TJBA3060
TJBA2466	TJBA3066
TJBA2472	TJBA3072



42" Fixed-Height
 Fixed-Top Base

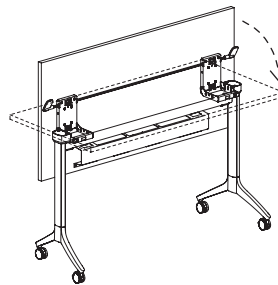
TJCA2436	TJCA3036
TJCA2442	TJCA3042
TJCA2448	TJCA3048
TJCA2454	TJCA3054
TJCA2460	TJCA3060
TJCA2466	TJCA3066
TJCA2472	TJCA3072

Fixed-Height Single-Circuit Training Tables - Nesting-Top Base



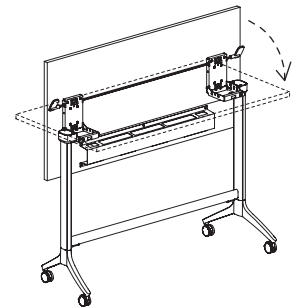
29" Fixed-Height
 Nesting-Top Base

TJLA2436	TJLA3036	TJLA3636
TJLA2442	TJLA3042	TJLA3642
TJLA2448	TJLA3048	TJLA3648
TJLA2454	TJLA3054	TJLA3654
TJLA2460	TJLA3060	TJLA3660
TJLA2466	TJLA3066	TJLA3666
TJLA2472	TJLA3072	TJLA3672



36" Fixed-Height
 Nesting-Top Base

TJMA2436	TJMA3036
TJMA2442	TJMA3042
TJMA2448	TJMA3048
TJMA2454	TJMA3054
TJMA2460	TJMA3060
TJMA2466	TJMA3066
TJMA2472	TJMA3072

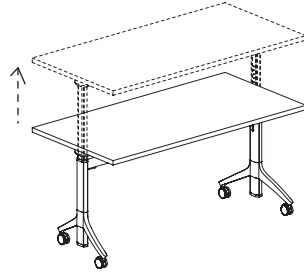


42" Fixed-Height
 Nesting-Top Base

TJNA2436	TJNA3036
TJNA2442	TJNA3042
TJNA2448	TJNA3048
TJNA2454	TJNA3054
TJNA2460	TJNA3060
TJNA2466	TJNA3066
TJNA2472	TJNA3072

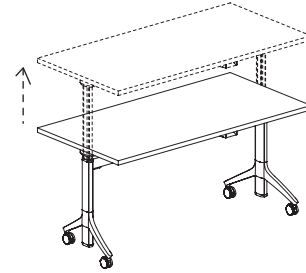
**STATEMENT OF
 LINE (cont.)**

Adjustable-Height Training Tables - Fixed-Top Base



Screw-Adjustable Height
 Fixed-Top Base

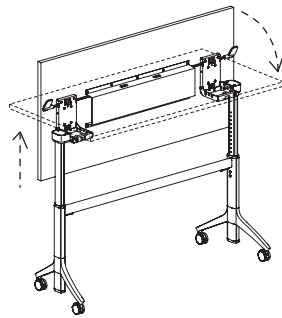
- | | |
|-----------|-----------|
| TJHFA2448 | TJHFA3048 |
| TJHFA2454 | TJHFA3054 |
| TJHFA2460 | TJHFA3060 |
| TJHFA2466 | TJHFA3066 |
| TJHFA2472 | TJHFA3072 |



Pneumatic-Adjustable Height
 Fixed-Top Base

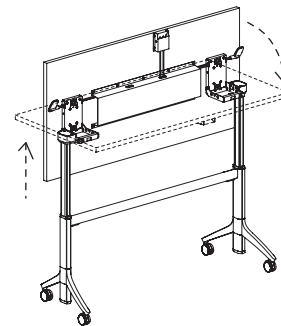
- | | |
|-----------|-----------|
| TJHJA2448 | TJHJA3048 |
| TJHJA2454 | TJHJA3054 |
| TJHJA2460 | TJHJA3060 |
| TJHJA2466 | TJHJA3066 |
| TJHJA2472 | TJHJA3072 |

Adjustable-Height Training Tables - Nesting-Top Base



Screw-Adjustable Height
 Nesting-Top Base

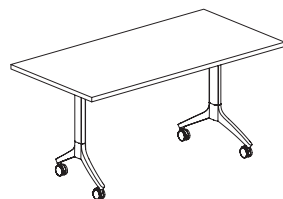
- | | |
|-----------|-----------|
| TJHQA2436 | TJHQA3048 |
| TJHQA2442 | TJHQA3054 |
| TJHQA2448 | TJHQA3060 |
| TJHQA2454 | TJHQA3066 |
| TJHQA2460 | TJHQA3072 |
| TJHQA2466 | |
| TJHQA2472 | |



Pneumatic-Adjustable Height
 Nesting-Top Base

- | | |
|-----------|-----------|
| TJHPA2436 | TJHPA3048 |
| TJHPA2442 | TJHPA3054 |
| TJHPA2448 | TJHPA3060 |
| TJHPA2454 | TJHPA3066 |
| TJHPA2460 | TJHPA3072 |
| TJHPA2466 | |
| TJHPA2472 | |

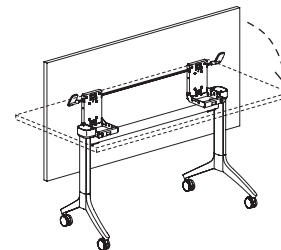
**Fixed-Height Collaborative Training Tables -
 Fixed-Top Base**



29" Fixed-Height
 Fixed-Top Base

- | | | |
|-----------|-----------|-----------|
| TJGAA2460 | TJGAA3060 | TJGAA3660 |
| TJGAA2466 | TJGAA3066 | TJGAA3666 |
| TJGAA2472 | TJGAA3072 | TJGAA3672 |
| TJGAA2484 | TJGAA3084 | TJGAA3684 |
| TJGAA2496 | TJGAA3096 | TJGAA3696 |

**Fixed-Height Collaborative Training Tables -
 Nesting-Top Base**



29" Fixed-Height
 Nesting-Top Base

- | | | |
|-----------|-----------|-----------|
| TJGLA2460 | TJGLA3060 | TJGLA3660 |
| TJGLA2466 | TJGLA3066 | TJGLA3666 |
| TJGLA2472 | TJGLA3072 | TJGLA3672 |
| TJGLA2484 | TJGLA3084 | TJGLA3684 |
| TJGLA2496 | TJGLA3096 | TJGLA3696 |

Post-Leg Tables

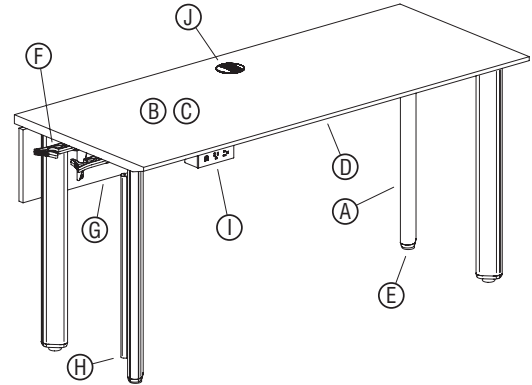
Product Overview

Simple post-leg table design supports various shapes and table heights, which support learning, conference, and cafe applications creating a consistent aesthetic throughout a space.

Post-Leg Table Features

Tributaire post-leg table features can be configured or are standard, to include:

- A. Number of Legs (page 54).
- B. Tabletop shape & size (page 55).
- C. Tabletop laminate grades.
- D. Tabletop edge styles (page 55).
- E. Caster & glide options (page 56).
- F. Ganging (page 58).
- G. Modesty panel (page 60).
- H. Wire management (page 62).
- I. Electrical options (page 65).



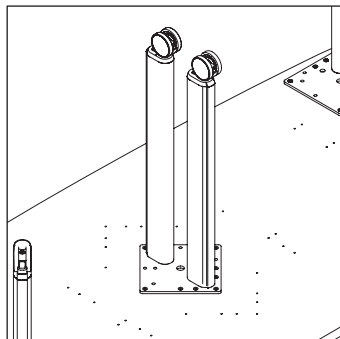
(model TJEA2460-KN shown)

Post-Leg Tables									
	Rectangular	Round	Square	Rounded Square	Half-Rounded Square	D-Shaped	Sprocket	Boat	Pill
Base Height									
29" H	•	•	•	•	•	•	•	•	•
36" H	•	•	•	•					
42" H	•	•	•	•					
Number of Legs									
3-Leg							•		
4-Leg	•	•	•	•	•	•		•	•
5-Leg			•						
6-Leg	•						•	•	•
Features									
Casters or Glides	•	•	•	•	•	•	•	•	•
Power Modules with 3-Prong Plug	•	•	•	•	•	•	•	•	•
Pattern Electrical System	•*							•*	•*
Ganging	•*				•				
Modesty Panels	•*								

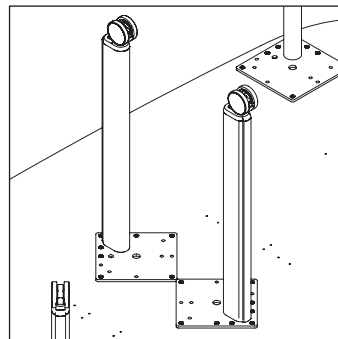
*Feature is only available on certain models.

Middle Legs on Tributaire Post-Leg Tables

30", 36", and 42" deep Tributaire post-leg tables with six legs will utilize a pair of post legs on one mounting plate for the middle legs on the table, while 48" deep Tributaire post-leg tables with six legs will utilize two separate post legs on two separate plates.



Double Post Leg



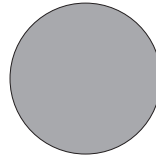
Two Post Legs

Tabletops

Tributaire post-leg tabletops are offered in various shapes, sizes and features. Available features vary based on individual models.



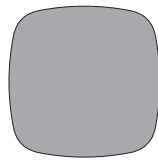
Rectangular



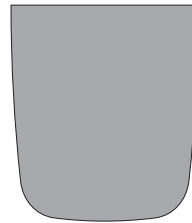
Round



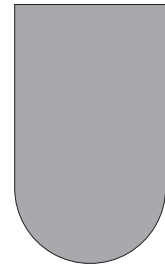
Square



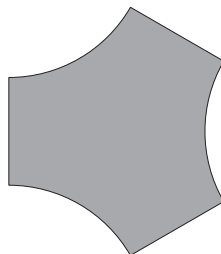
Rounded Square



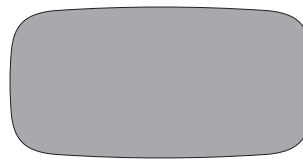
Half-Rounded Square



D-Shaped



Sprocket

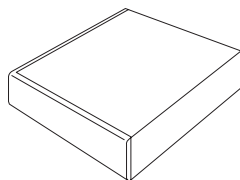


Boat

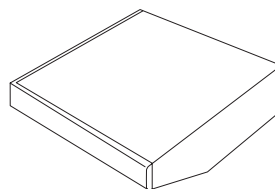


Pill

Edge Styles



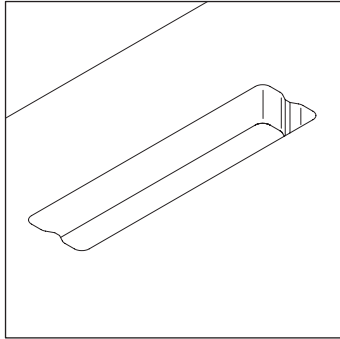
**74P Edge
(74P)**



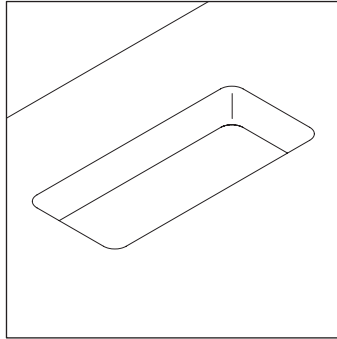
**Knife Edge
(KN)**

Tabletop Cutouts

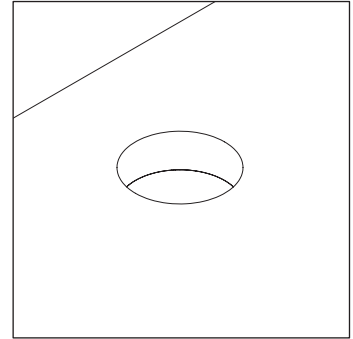
Dean, Nacre, or Node grommets can be specified for use within corresponding cutouts.



Dean Tabletop Cutout



Nacre Tabletop Cutout



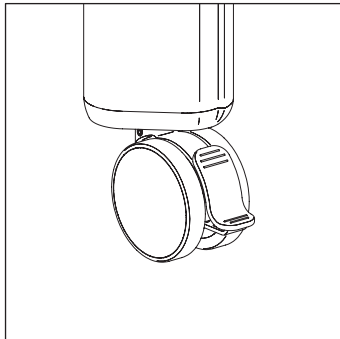
Node Tabletop Cutout

Casters & Glides

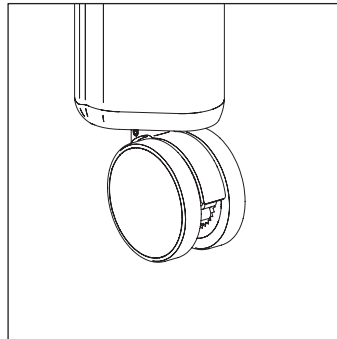
Casters are 2.5" in diameter and are available in three color combinations: Black hub with black tread and brake, Warm grey hub with warm grey tread and brake and also Cottonwood hub with warm grey tread and brake.

Glides are 1.5" in diameter, have black floor contact pads and 1/2" of adjustment.

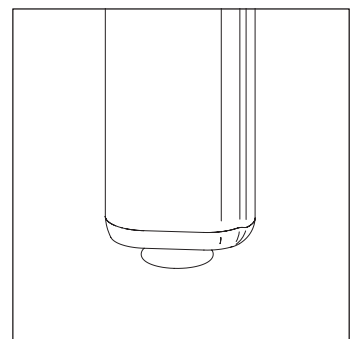
Note: Casters and glides are not interchangeable on post-leg tables.



Locking Caster



Non-Locking Caster



Low Profile Glide

**Planning
 Guidelines**

Base Heights

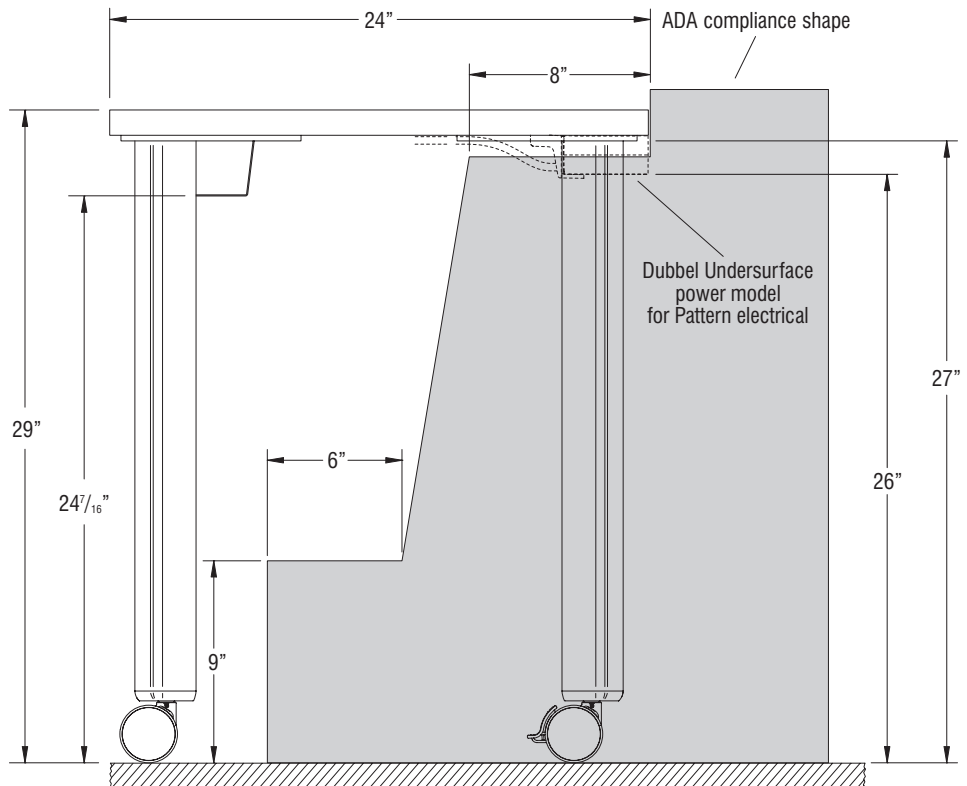
Tributaire post-leg tables are offered in three base heights. This allows for tiered classrooms, while maintaining the ability to be easily reconfigured. Varying heights offer clear lines of sight for all users.

- 29" Overall Table Height
- 36" Overall Table Height
- 42" Overall Table Height



Undersurface Clearance

Note: 902.4.2 Height Children + 902.3 Height Adults from 2010 ADA + ICC A117.1-2017.



**Illustration Represents ADA Block on 29" High Post-Leg Tables
 (model TJKAA2442 shown)(side view)**

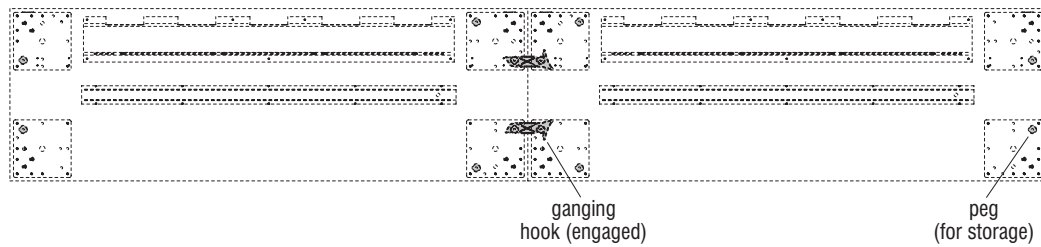
ADA Compliance Shape: Minimum requirement for Knee and Toe Clearance per 2010 ADA and ICC A117.1.

Ganging

Ganging Mechanism: Hook and peg combination draws and secures tables together. Gangers are field installed and self-storing under the table when not in use. Tabletops are pre-drilled for placement of ganging pegs. After installation of pegs, no tools are required to join tables together.

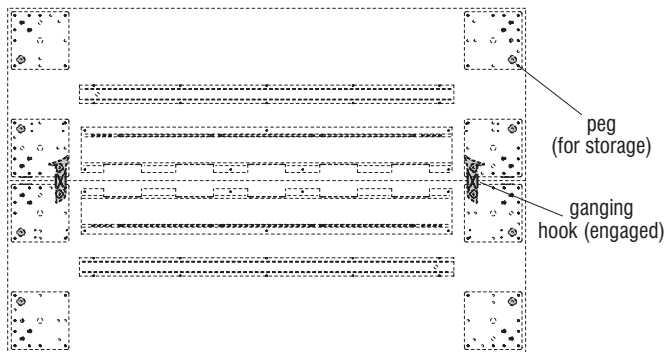
If table is specified with power modules for Pattern electrical, two gangers, eight pegs and all mounting screws are included in the kit. Ganging kits are ordered separately for all other table models and include two gangers and six pegs per kit. One kit per table joint is required. Ganging kits not available for use with round, square, rounded square, sprocket, boat or pill shaped tops.

Sample Layout 1



**24" x 72" Rectangular Post-Leg Tables, Side-to-Side Configuration
 (model TJKAA2472 shown) (top view)**

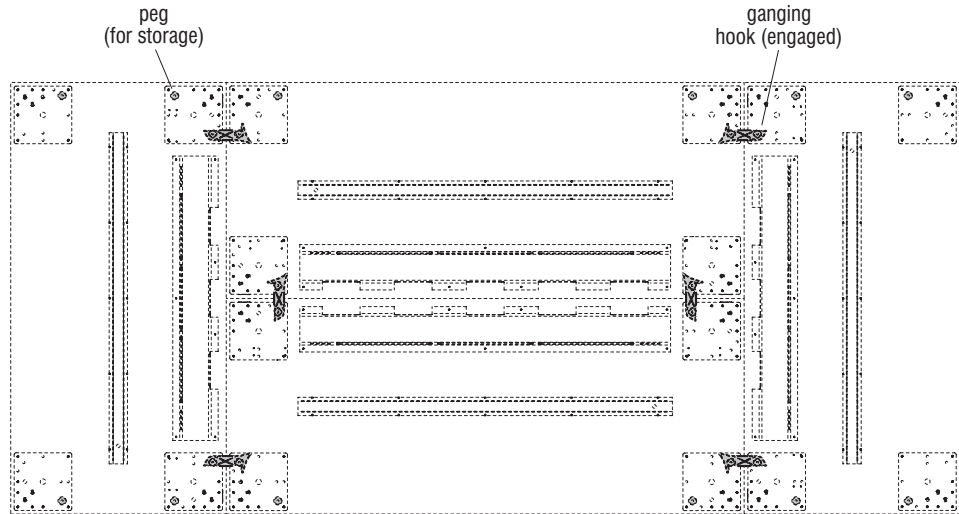
Sample Layout 2



**24" x 72" Rectangular Post-Leg Tables, Back-to-Back Configuration
 (model TJKAA2472 shown) (top view)**

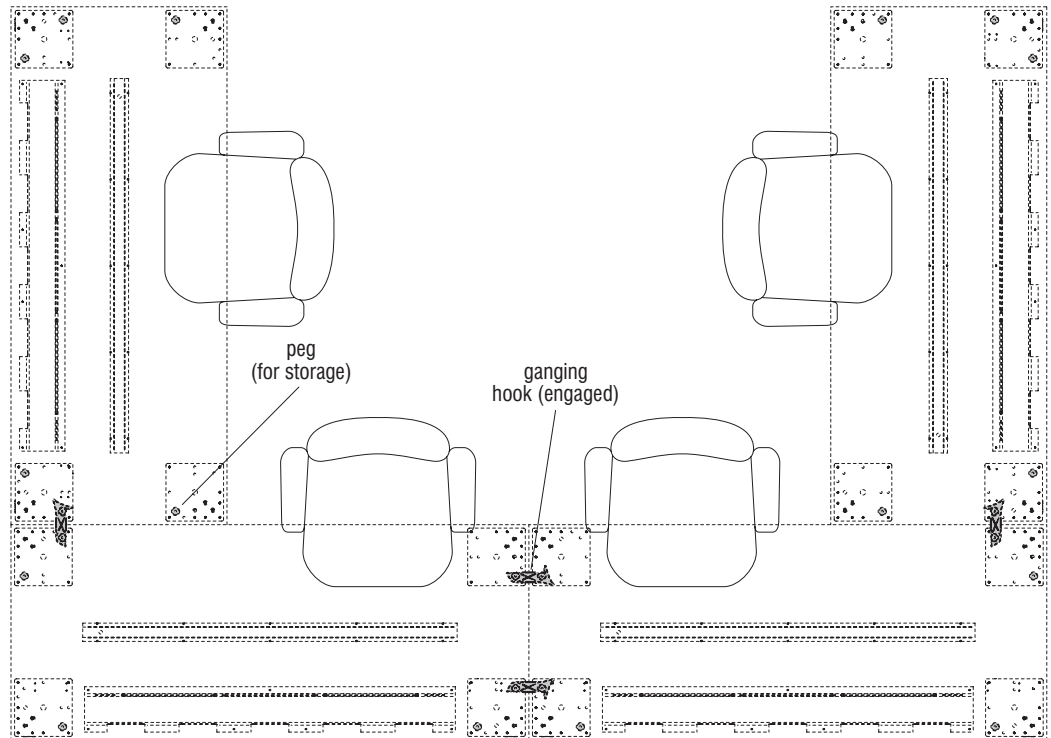
Ganging (cont.)

Sample Layout 3



30" x 60" and 30" x 72" Rectangular Post-Leg Tables, Back-to-Back Configuration
(model TJKAA3060 & TJKAA3072 shown) (top view)

Sample Layout 4



30" x 72" Rectangular Post-Leg Tables, U-Shaped Configuration
(model TJKAA3072 shown) (top view)

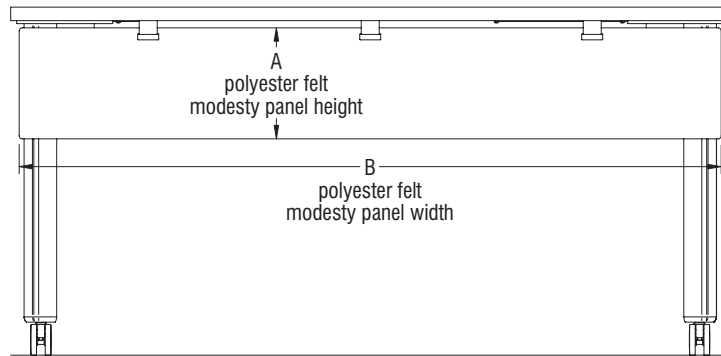
Modesty Panels

Optional modesty panels are available in polyester felt or laminate. Tabletops will have appropriate pre-drilled holes to accept the modesty panel.

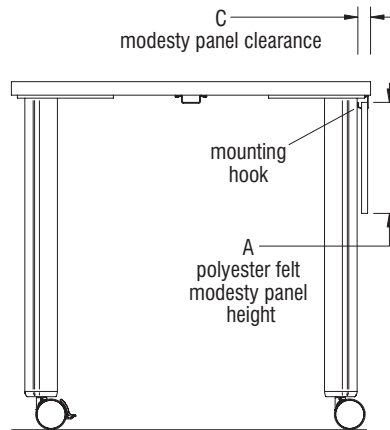
- **Note:** Polyester felt and laminate modesty panels are available on select 29", 36", and 42" high tables.

Polyester Felt Modesty Panel

- Each polyester felt modesty panel color has a coordinating modesty panel attachment bracket color.



Rectangular Post-Leg Table with Polyester Felt Modesty Panel (back view)(30" x 60" shown)



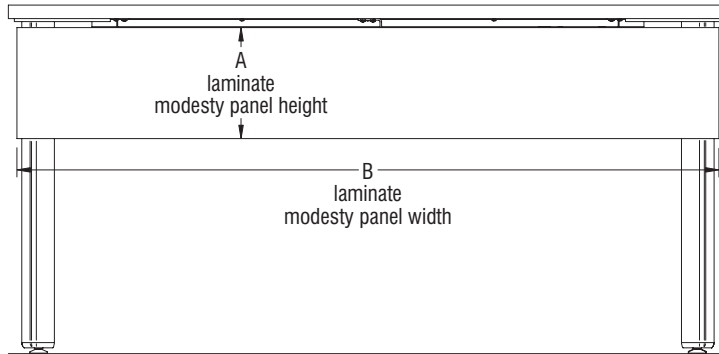
Rectangular Post-Leg Table with Polyester Felt Modesty Panel (back view)(30" x 60" shown)

Polyester Felt Modesty Panel Dimensions	
Polyester Felt (Fixed Tables)	
A	9.25" for 29" high tables 14.75" for 36" & 42" high tables
B	Table Width, Less 1.5"
C	1.04"

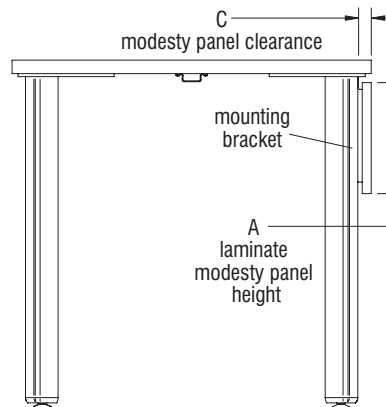
Modesty Panels (cont.)

Laminate Modesty Panel

- Laminate modesty panels are finished on both sides and match the tabletop laminate and edge color specifications.
- Fixed laminate modesty panel brackets are always painted matte textured black.



Rectangular Post-Leg Table with Laminate Modesty Panel (back view)(30" x 60" shown)



Rectangular Post-Leg Table with Laminate Modesty Panel (side view)(30" x 60" shown)

Laminate Modesty Panel Dimensions	
Laminate (Fixed Tables)	
A	9.25" for 29" high tables 14.75" for 36" & 42" high tables
B	Table Width, Less 1.5"
C	3.56"

Wire Management

Wire Trough

Wire trough keeps wires and electrical components enclosed. Wire trough allows Snap-In RPT modules for Pattern electrical to snap onto one side while also having access to cables.

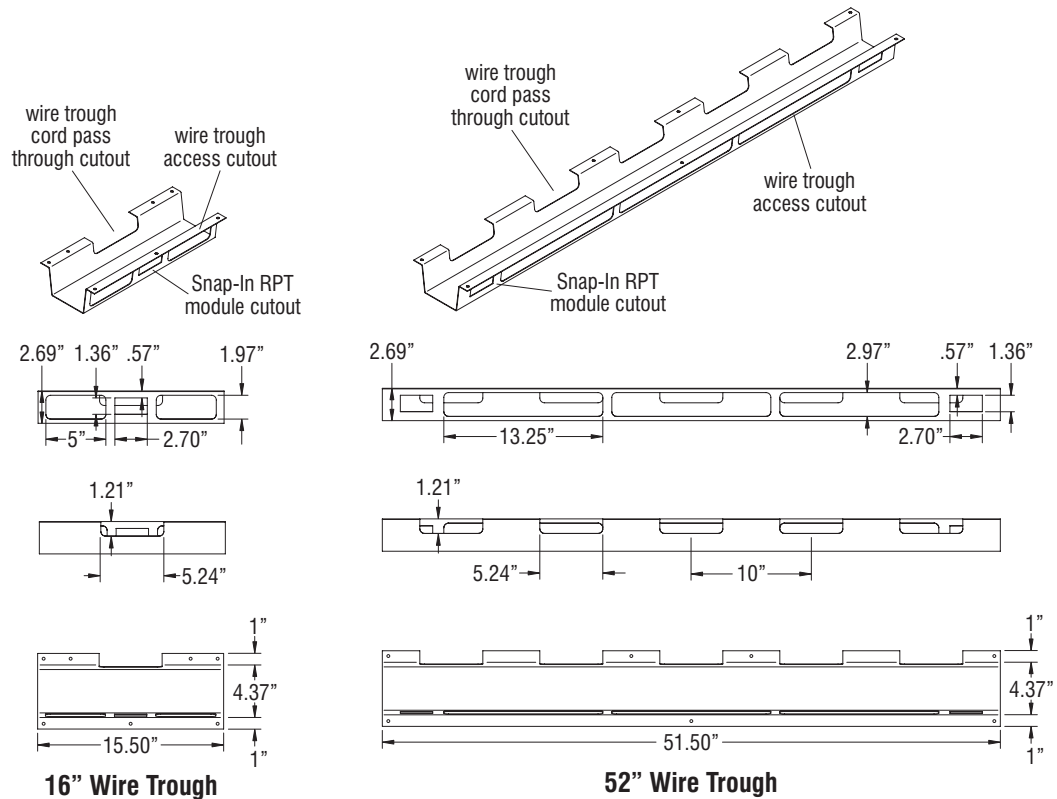
Wire trough cutouts for under table Snap-In RPT module for Pattern electrical face toward the user side.

Wire troughs are automatically included with all Tributaire table models that include Pattern single-circuit electrical. Wire troughs must be ordered separately for power modules with 3-prong plug, if desired.

Tables with one tabletop cutout are provided with one wire trough. Wire troughs are available in four sizes, determined by the tabletop size and shape.

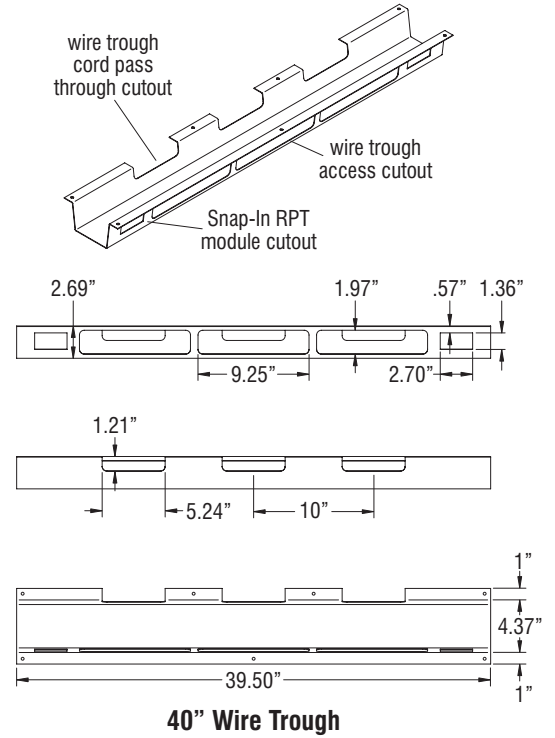
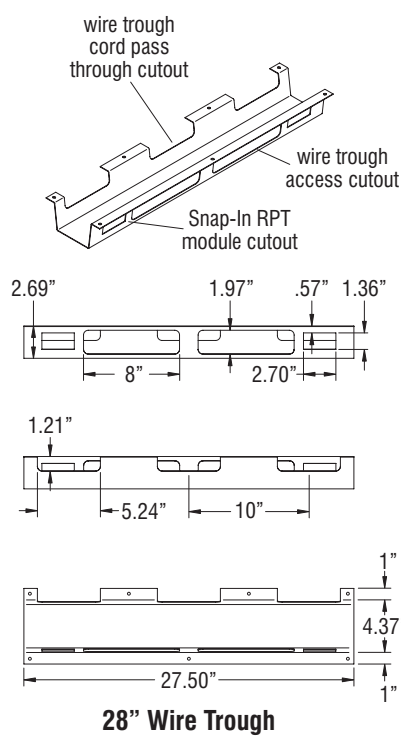
Tabletop Width	Number of Troughs and Trough Size	Number of Velcro Wire Managers
36"	1 x 18"	2
42", 48"	1 x 30"	2
54", 60"	1 x 42"	2
66", 72"	1 x 54"	2

A Wire Trough Width	B Center of Cutout to Trough Edge	Snap-In RPT Module Openings	Wire Access Openings
18"	7.75"	1	3
30"	2.85"	2	5
42"	2.85"	2	6
54"	2.85"	2	8



Wire Management (cont.)

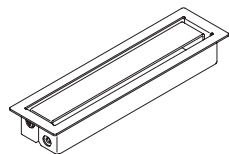
Wire Trough (cont.)



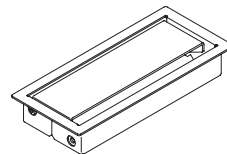
Grommets

Metal grommets are available to fit Dean, Nacre and Node tabletop cutouts.

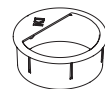
Grommets, modules and electrical components are field installed.



Dean® Grommet
(1.94" x 7.3" cutout)



Nacre® Grommet
(3" x 6.94" cutout)



Node Grommet
(3" diameter cutout)

Wire Management (cont.)

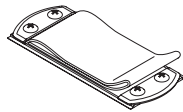
Vertical Wire Manager

Vertical wire manager is included on tables specified with power modules with 3-prong plug, and with Pattern power infeed kits. Vertical wire manager can be ordered separately. Wire manager is color matched to table base.



Velcro Wire Manager

Velcro wire manager is included with table when power modules for Pattern electrical are specified. Vertical wire manager can be ordered separately.



Strain Relief Clip

Strain relief clips are included with table when power modules with 3-prong plugs are specified.

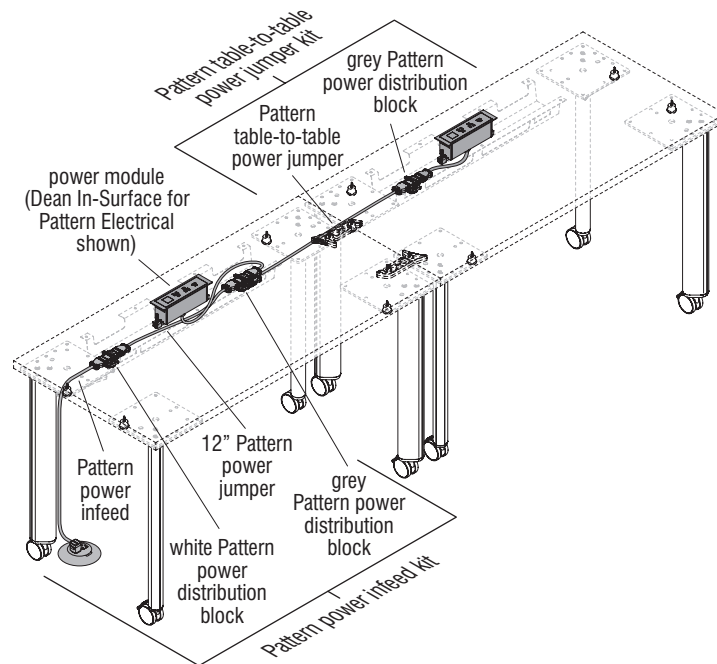


Electrical

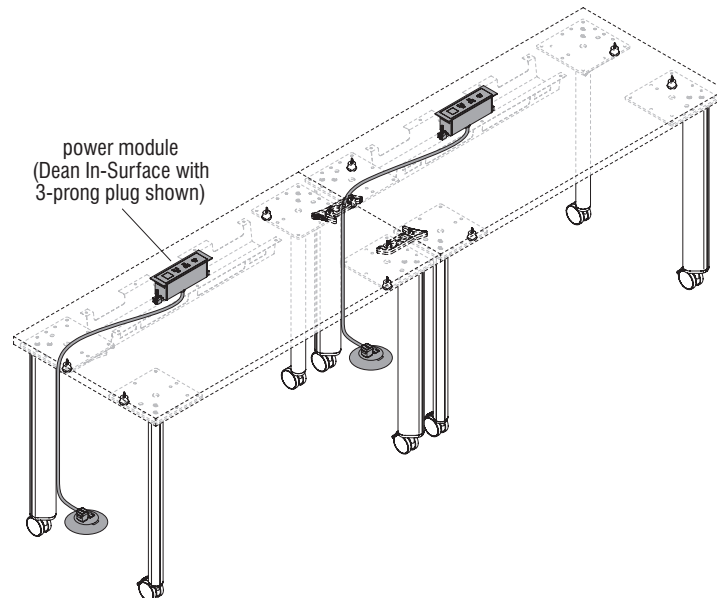
Electrical System Overview

Two power options are available for Tributaire tables

- **Power Modules with 108" or 180" cord and 3-prong plug**
 - Recommended for minimal power needs.
 - Multiple power module styles available.
 - Corded modules with 3-prong plug must be plugged into a building receptacle.
- **Pattern Single-Circuit Electrical System (a multi-unit daisy chain, power system)**
 - Pattern electrical allows up to ten distribution blocks or 600" total length of jumpers to be powered by a power infeed.
 - Power infeeds can be placed anywhere within the system.
 - Multiple power module styles available.


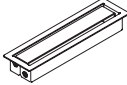


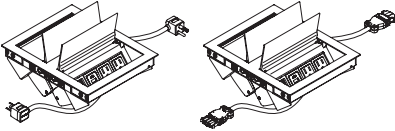

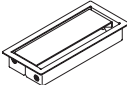


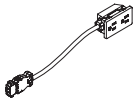
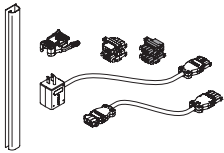



Tributaire Post-Leg Tables with Power Modules for Pattern Single-Circuit Electrical



Tributaire Post-Leg Tables with Power Modules with 3-Prong Plug

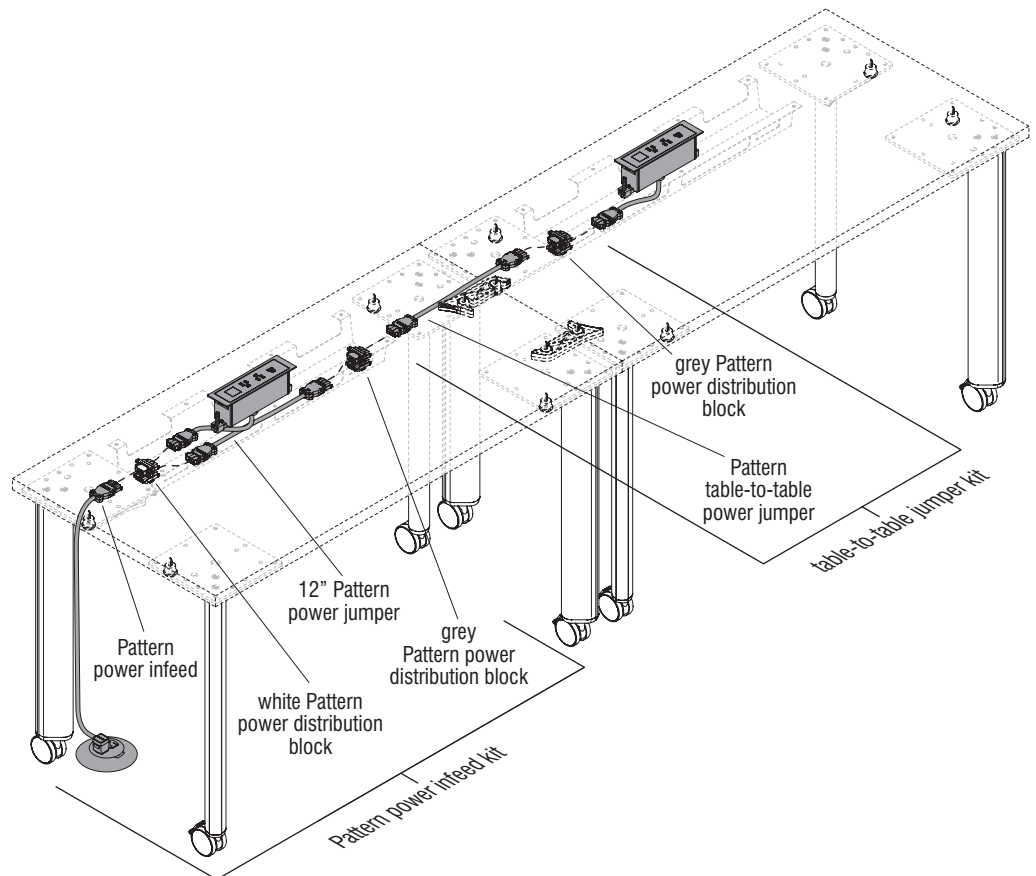
Electrical Components

Electrical Components				
Power Options	Visual	Module Configuration	Tabletop Cutout Dimensions	Mounting Location
Dean In-Surface (available with 3-prong plug or Pattern single-circuit electrical system)		2 power outlets, 1 dual USB A+C, 1 open port	1.94" x 7.3"	in surface
Dean In-Surface Grommet		N/A	1.94" x 7.3"	in surface
Dean Undersurface (available with 3-prong plug or Pattern single-circuit electrical system)		2 power outlets, 1 dual USB A+C	N/A	below surface
Dubbel Undersurface (available with 3-prong plug or Pattern single-circuit electrical system)		2 power outlets, 1 dual USB A+C	N/A	below surface
Double Ellora B Module (available with 3-prong plug or Pattern single-circuit electrical system)		4 power outlets, 2 dual USB A+C, 2 open port	7.88" x 9.75"	in surface
Nacre Pop-Up Module (available with 3-prong plug or Pattern single-circuit electrical system)		2 power outlets, 1 dual USB A+C, 1 open port	3" x 6.94"	in surface
Nacre Grommet		N/A	3" x 6.94"	in surface
Node (available with 3-prong plug or Pattern single-circuit electrical system)		1 power outlet, 1 dual USB A+C	3" diameter	in surface
Node Grommet		N/A	3" diameter	in surface
Snap-In RPT (available with Pattern single-circuit electrical system only)		2 power outlets	N/A	in trough
Pattern Power Infeed Kit <ul style="list-style-type: none"> • Pattern Power Infeed • Pattern Power Jumper • White Pattern Power Distribution Block • Grey Pattern Power Distribution Block • Pattern Quick-Release Tool • Vertical Wire Manager 		N/A	N/A	N/A
Pattern Table-to-Table Jumper Kit <ul style="list-style-type: none"> • Pattern Table-to-Table Power Jumper • Grey Pattern Power Distribution Block 		N/A	N/A	N/A

Pattern Electrical

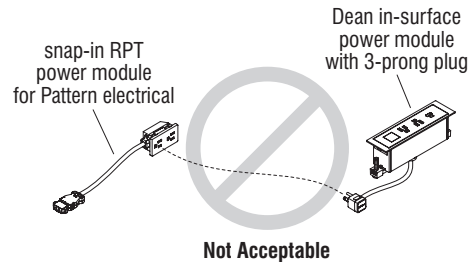
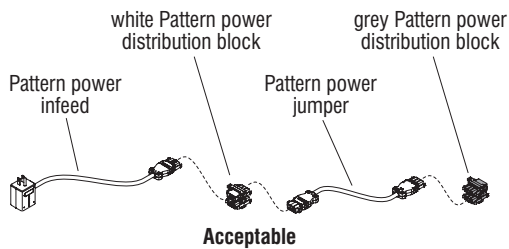
A non-sequential single-circuit electrical system used to provide power distribution which is ETL Listed to UL 962A (USA) and CAN/CSA-C22.2 No. 308 (Canada). Power infeed can be simply plugged into a building wall or floor receptacle; no electrician is needed.

- Pattern electrical is a 15-amp system; however, continuous use should not exceed 80% draw. Only load 12 amps of draw if current is expected to continue for three or more hours at a time.
- Pattern power jumpers and Pattern power distribution blocks connect from table-to-table to carry power across multiple pieces of furniture.
- The total number of distribution blocks within the system shall not exceed ten per power infeed.
- The total length of jumpers (exclusive of the power infeed unit) is not to exceed 600" (50') from the infeed distribution block (in either direction).
- Wire troughs have cutout locations for the snap-in RPT (relocatable power tap) module(s) for Pattern electrical. Reference "Wire Trough" on page 62.
- Pattern power infeed is compatible with ground fault interrupter (GFI/GFCI) and uninterruptible power supplies.
- Gangers and wire management devices are included. Tables must be mechanically connected together, with all Pattern power connections appropriately installed before connecting infeed to power source.
- When the desired table Pattern power pick is selected, all necessary components for the table will be provided. Excludes Pattern power infeed kits and Pattern table-to-table power jumper kits.



Pattern Electrical (cont.)

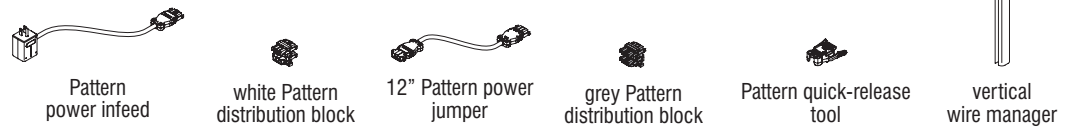
Available Tributaire Training Table Pattern Power Picks		
PMA1	(1) Nacre In-Surface Pop-Up for Pattern electrical	Available option for 36, 42, 48, 54, 60, 66, 72" table widths only.
PMB1	(1) Dubbel Under-Surface for Pattern electrical	Available option for 36, 42, 48, 54, 60, 66, 72" table widths only.
PMD1	(1) Dean In-Surface for Pattern electrical	Available option for 36, 42, 48, 54, 60, 66, 72" table widths only.
PMO1	(1) Node In-Surface for Pattern electrical	Available option for 36, 42, 48, 54, 60, 66, 72" table widths only.
PMT1	(1) Double Ellora B In-Surface for Pattern electrical	Available option for 42 x 72" and 48 x 72" tables only.
PMU1	(1) Dean Undersurface for Pattern electrical	Available option for 36, 42, 48, 54, 60, 66, 72" table widths only.
PMA2	(2) Nacre In-Surface Pop-Up for Pattern electrical	Available option for 84, 96" table widths only.
PMB2	(2) Dubbel Under-Surface for Pattern electrical	Available option for 84, 96" table widths only.
PMD2	(2) Dean In-Surface for Pattern electrical	Available option for 84, 96" table widths only.
PMO2	(2) Node In-Surface for Pattern electrical	Available option for 84, 96" table widths only.
PMT2	(2) Double Ellora B In-Surface for Pattern electrical	Available option for 84, 96" table widths only.
PMU2	(2) Dean Undersurface for Pattern electrical	Available option for 84, 96" table widths only.
PSA1	(1) Snap-In RPT for Pattern electrical + (1) grommet (sized for Nacre module)	Available option for 36, 42" table widths only.
PSA2	(2) Snap-In RPT for Pattern electrical + (1) grommet (sized for Nacre module)	Available option for 48, 54, 60, 66, 72" table widths only.
PSA3	(1) Dubbel Undersurface for Pattern electrical + (1) Snap-In RPT for Pattern electrical + (1) grommet (sized for Nacre module)	Available option for 36, 42" table widths only.
PSA4	(1) Dubbel Undersurface for Pattern electrical + (2) Snap-In RPT for Pattern electrical + (1) grommet (sized for Nacre module)	Available option for 48, 54, 60, 66, 72" table widths only.
PSA5	(1) Dean Undersurface for Pattern electrical + (1) Snap-In RPT for Pattern electrical + (1) grommet (sized for Nacre module)	Available option for 36, 42" table widths only.
PSA6	(1) Dean Undersurface for Pattern electrical + (2) Snap-In RPT for Pattern electrical + (1) grommet (sized for Nacre module)	Available option for 48, 54, 60, 66, 72" table widths only.



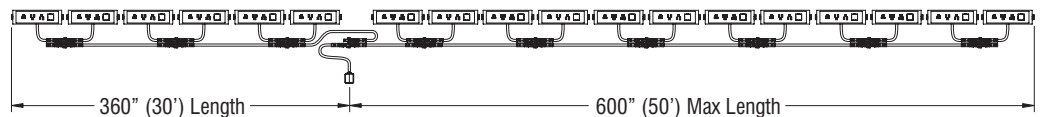
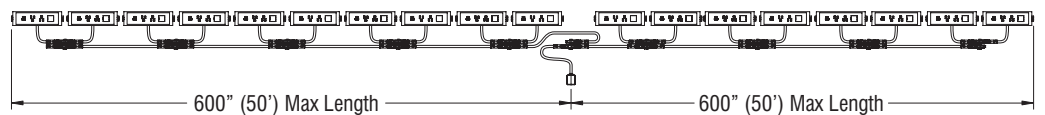
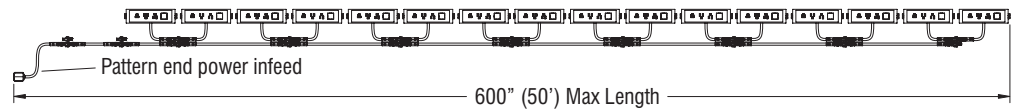
Pattern Electrical (cont.)

Pattern Power Infeed Kits

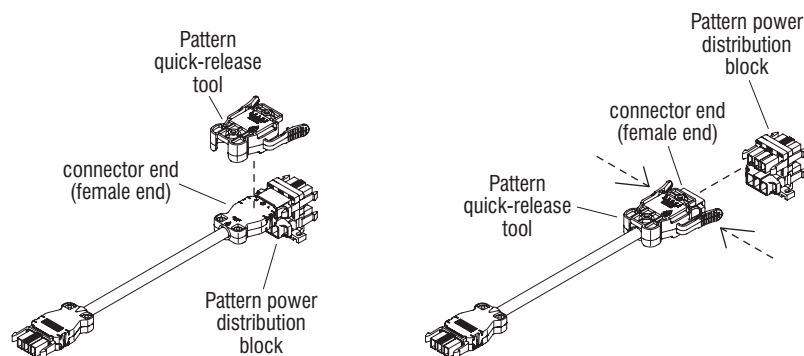
- Power infeed kit includes (1) white Pattern power distribution block, (1) grey Pattern power distribution block, (1) 12" Pattern power jumper, (1) 108" Pattern power infeed, (1) Pattern quick-release tool & (1) vertical wire manager.
- Kit counts towards two distribution blocks within a run of power (ten distribution blocks maximum per infeed).
- Kit counts towards 12" jumper length (600" or 50' maximum per infeed in either direction).



- Pattern power infeed cords are 108" long.
 - Power infeed kits allow for reconfiguration and can be installed at the end of, or anywhere within a run, as long as the total length of jumpers from the power infeed (in either direction) does not exceed 600" (50').
 - Regardless of power infeed location, layout cannot exceed ten distribution blocks per infeed.
 - Power infeeds come with 90-degree angled plugs. Angled plugs make it easier to route the cords through tight corners and spaces eliminating stress placed on the power cord conductors and the strain relief.



- Pattern Quick-Release Tool
 - Pattern quick-release tool is a simple tool designed to help remove the power connector ends from the Pattern power distribution blocks if reconfiguration of the Pattern single-circuit electrical system is required.



Pattern Power Distribution Blocks

Pattern Electrical (cont.)

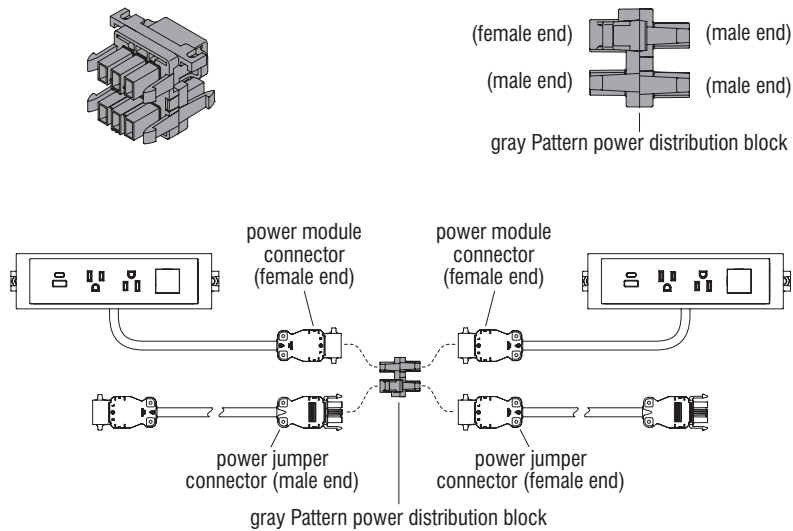
Pattern Power Distribution Blocks

Pattern power distribution blocks are required to connect and distribute power. Two types of distribution blocks are used, as illustrated below.

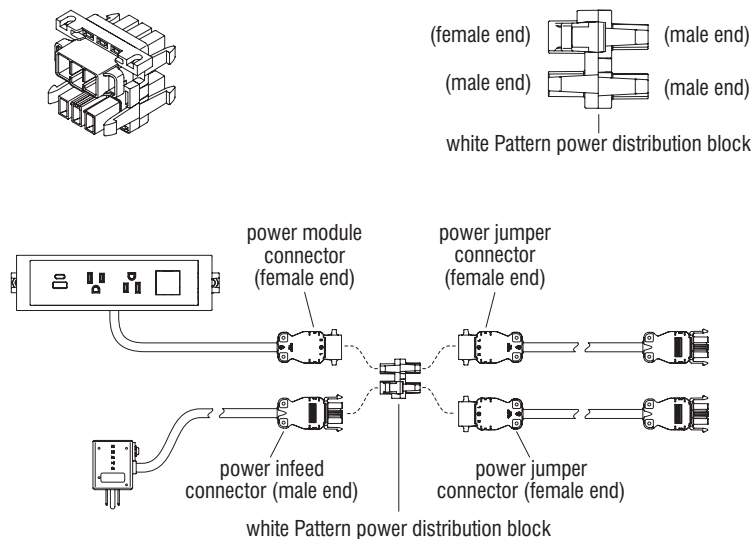
The two distribution block types (white and grey) are not specified separately. Both types are included with Pattern table-to-table power jumper kits, Pattern power infeed kits and when tables are ordered with power requiring internal Pattern power jumpers (three power modules per table).

The total number of power distribution blocks within the system shall not exceed ten per power infeed.

- **Grey Pattern Power Distribution Block**
 - Supports two power modules, and two jumpers or one jumper and one infeed.



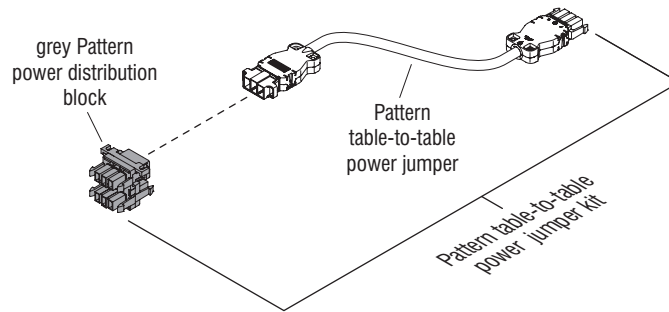
- **White Pattern Power Distribution Block**
 - Supports one power module, and three jumpers or two jumpers and one infeed.



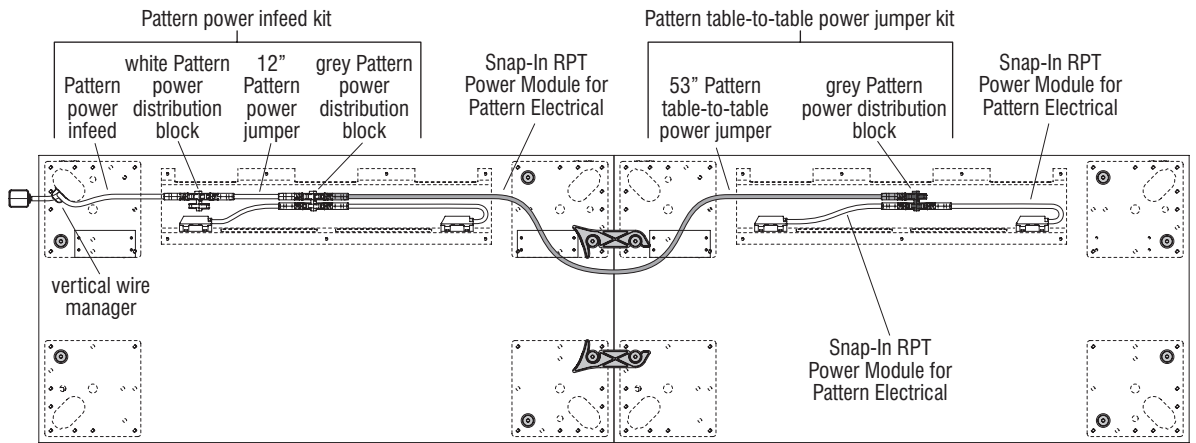
Pattern Electrical (cont.)

Pattern Table-to-Table Power Jumper Kit

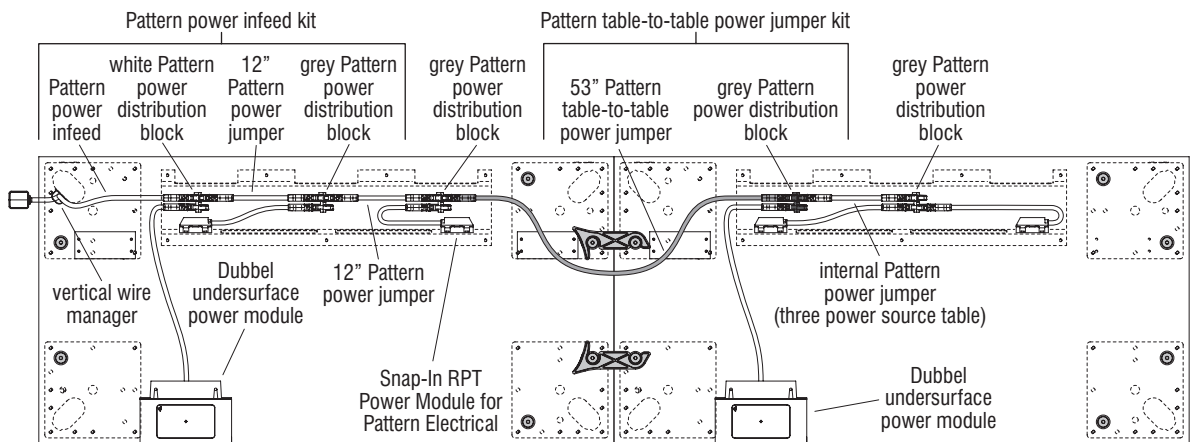
- Pattern table-to-table power jumper kits are specified separately. Kits consist of Pattern power jumper in specified length and a grey Pattern power distribution block required to connect jumper to a power module. Internal Pattern power jumpers are included on tables when three power modules are specified (options PS2MB1GA1 & PS2MC1GA1).
- Below jumper recommendations are based on table size and allow for reconfiguration with excess cord being managed within wire troughs, and are not layout dependent.
- Jumper lengths (53", 75" and 101") are determined based on distance to attach to a previous distribution block.



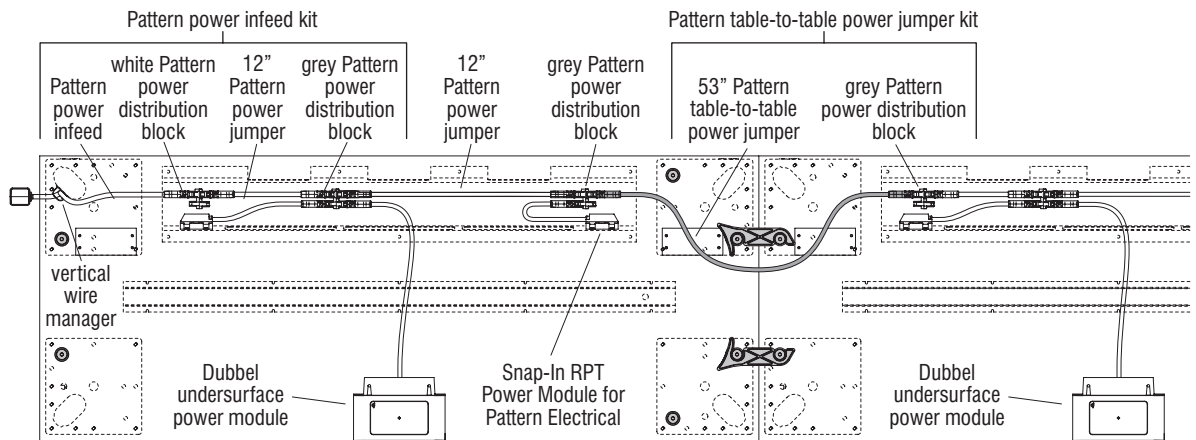
Pattern Table-to-Table Power Jumper Kit



Tables with Two Power Modules (PSA2 shown)



Tables with Two Power Modules (PSA4 shown)



Tables with Two Power Modules (PSA4 shown)

Pattern Electrical (cont.)

Planning with Pattern Electrical

1. Identify power requirements, confirm the number of modules and tables per layout.

Pattern electrical is a 15-amp system; however, continuous use should not exceed 80% draw. Only load 12 amps of draw if current is expected to continue for three or more hours at a time.

Amp Draw Range by Item Type:

This chart shows the estimated amp draw for common devices. Be sure to calculate the necessary amperage needs for the space. Amp draw requirements will determine the number of infeeds needed.

Item	Amp(s)	Item	Amp(s)	Item	Amp(s)
Bluetooth Speaker	0.1	Inkjet Printer	0.15	Refrigerator	6
Cell Phone Charger	1-2	Laptop	1	Scanner	3
Coffee Maker	10	Laser Printer	0.5	Space Heater	12
Computer Monitor	0.5	LED Task Light	0.08	Tablet	1-2
Copy Machine (Xerox)	20	Microwave	10	Tea Kettle	7-10
Cordless Drill Charger	2-3	Office Phone	0.1	Television 42"	1
Crock Pot	1-2	Paper Shredder	1.22	USB Charger	0.17
Desktop 3-D printer	5	Personal Fan	0.5	Vacuum	10
Desktop Computer	3	Projector	1.7		

Calculate Amps from Watts:

To calculate amps from watts, divide the watts by 120.

Example: 600 watts/120 = 5 amps

2. Confirm the number of table-to-table jumper kits and infeed kits required to power a table layout.

The table on the next page identifies maximum number of tables that can be planned per infeed. Maximum amounts assume table layouts consist of the same table size and power configuration.

Tributaire™ Collection - Post-Leg Tables
Planning Guide

Post-Leg Tables

Table Shape	Table Width	Power Options	Number of Modules Per Table	# of Metal Grommets (Sized for Nacre)	Number of Troughs and Trough Size	# of Snap-In RPTs	# of Distribution Blocks Included with Table	Internal Jumper Length Included with Table	# of Velcro Wire Manager	Recommended Table-to-Table Power Jumper	Maximum # of Tables Per Infeed*	Total # of Modules on Max Table Run*
Rectangular	36"-42"	pma1, pmb1, pmo1, pmu1, pmd1	1	0	18"	0	0	0	2	53"	9	9
Rectangular	36"-42"	psa1	1	1	18"	1	0	0	2	53"	9	9
Rectangular	36"-42"	psa3, psa5	2	1	18"	1	0	0	2	53"	9	18
Rectangular	48"-54"	pma1, pmb1, pmo1, pmu1, pmd1	1	0	30"	0	0	0	2	53"	9	9
Rectangular	48"-54"	psa2	2	1	30"	2	0	0	2	53"	9	18
Rectangular	48"-54"	psa4, psa6	3	1	30"	2	1	12"	2	53"	4	12
Rectangular	60"-66"	pma1, pmb1, pmo1, pmu1, pmd1	1	0	42"	0	0	0	2	75"	8	8
Rectangular	60"-66"	psa2	2	1	42"	2	0	0	2	75"	8	16
Rectangular	60"-66"	psa4, psa6	3	1	42"	2	1	12"	2	75"	4	12
Rectangular	72"	pma1, pmb1, pmo1, pmu1, pmd1	1	0	54"	0	0	0	2	75"	8	8
Rectangular	72"	psa2	2	1	54"	2	0	0	2	75"	8	16
Rectangular	72"	psa4, psa6	3	1	54"	2	1	12"	2	75"	4	12

Note: Maximums assume layouts consist of the same table size and power configuration.

Post-Leg Tables

Table Shape	Table Width	Power Options	Number of Modules Per Table	# of Metal Grommets (Sized for Nacre)	Number of Troughs and Trough Size	# of Snap-In RPTs	# of Distribution Blocks Included with Table	Internal Jumper Length Included with Table	# of Velcro Wire Manager	Recommended Table-to-Table Power Jumper	Maximum # of Tables Per Infeed*	Total # of Modules on Max Table Run*
Rectangular (4-Legs)	72"	pma1, pmb1, pmo1, pmu1, pmd1	1	0	0	0	0	0	2	75"	8	8
Rectangular (4-Legs)	72"	pmt1	2	0	0	0	0	0	2	75"	8	16
Rectangular (6-Legs)	84"-96"	psa2, pmb2, pmo2, pmu2	2	0	0	0	0	0	4	101"	4	8
Rectangular (6-Legs)	84"-96"	pmt2	4	0	0	0	1	12"	4	101"	4	16

Note: Maximums assume layouts consist of the same table size and power configuration.

Pattern Electrical (cont.)

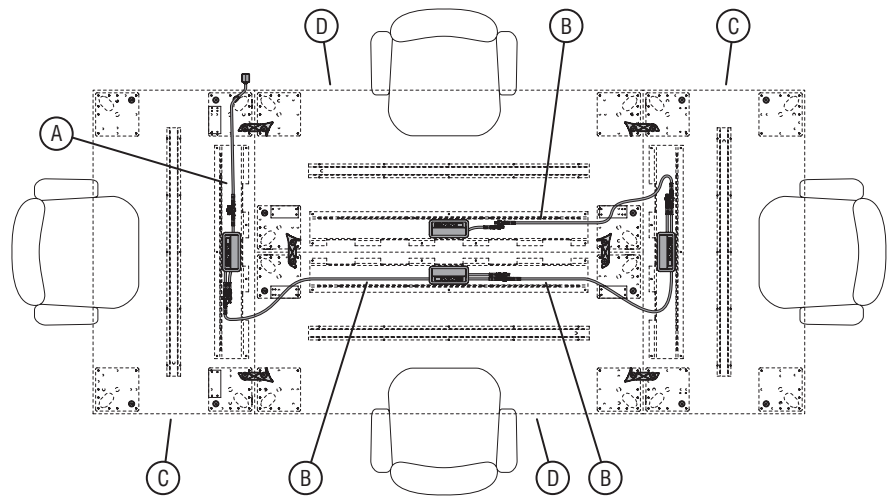
Sample Power Layouts

Sample Layout 1

The following section provides different examples of typical Tributaire post-leg tables with Pattern configurations.

Note: The following configuration can be accomplished by routing the Pattern power jumper through the cord pass-through cutouts in the wire trough.

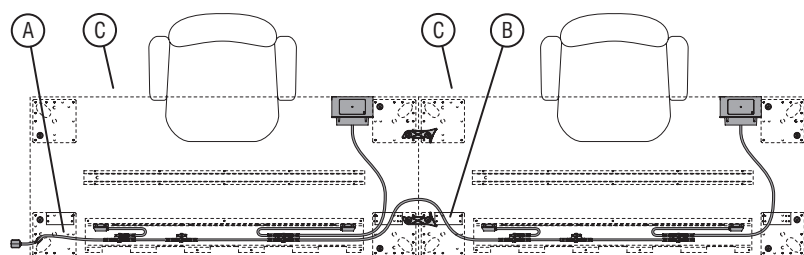
Item	Qty	Shown Components
A	1	Pattern Power Infeed Kit
B	3	Pattern Table-to-Table Power Jumper Kit
C	2	Tributaire Single-Circuit Rectangular Post-Leg Table (30" x 60") with Nacre In-Surface Pop-Up Power Module
D	2	Tributaire Single-Circuit Rectangular Post-Leg Table (30" x 72") with Nacre In-Surface Pop-Up Power Module



Model TJKAA - 30" x 60" & 30" x 72" Rectangular Post-Leg Table, Enclosed Configuration (PMA1-PMA2 shown)

Sample Layout 2

Item	Qty	Shown Components
A	1	Pattern Power Infeed Kit
B	1	Pattern Table-to-Table Power Jumper Kit
C	2	Tributaire Single-Circuit Rectangular Post-Leg Table (30" x 72") with Dubbel Under-Surface Power Module and Two Snap-In RPT Modules

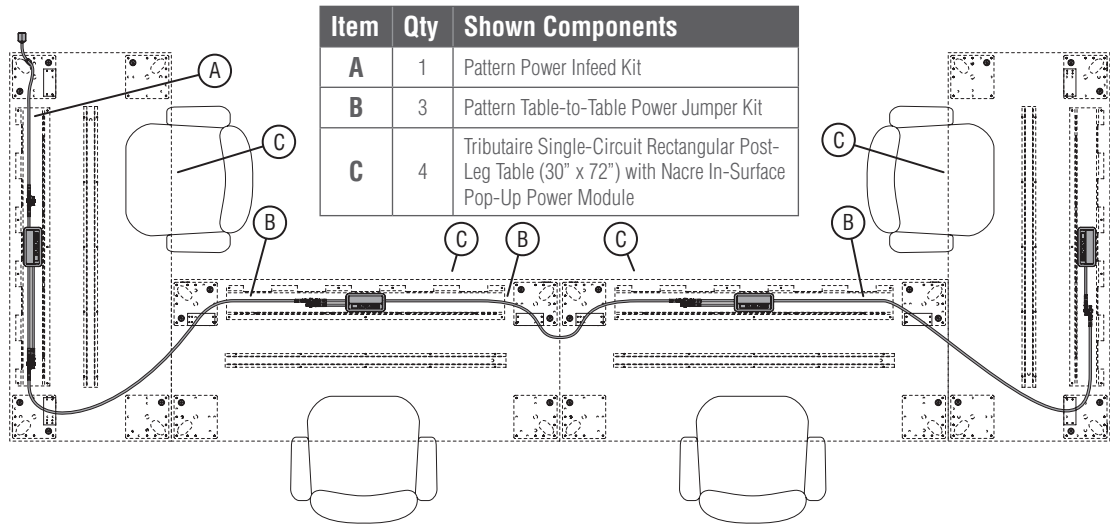


Model TJKAA - 30" x 72" Rectangular Post-Leg Table, Side-to-Side Configuration (PSA4 shown)

Pattern Electrical (cont.)

Sample Power Layouts (cont.)

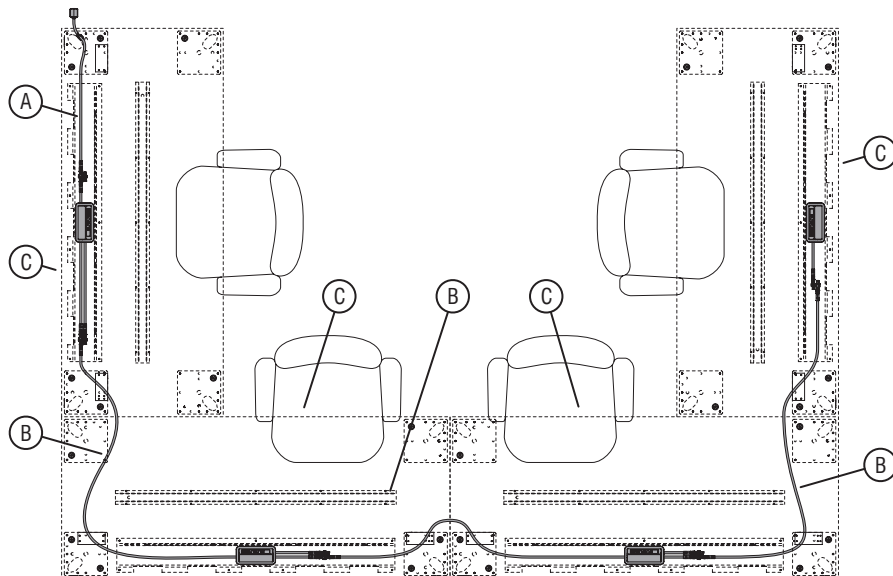
Sample Layout 2



Model TJKAA - 30" x 72" Rectangular Post-Leg Table, U-Shaped Configuration (PMA1-PMA2 shown)

Sample Layout 4

Item	Qty	Shown Components
A	1	Pattern Power Infeed Kit
B	1	Pattern Table-to-Table Power Jumper Kit
C	2	Tributaire Single-Circuit Rectangular Post-Leg Table (30" x 72") with Dubbel Under-Surface Power Module and Two Snap-In RPT Modules

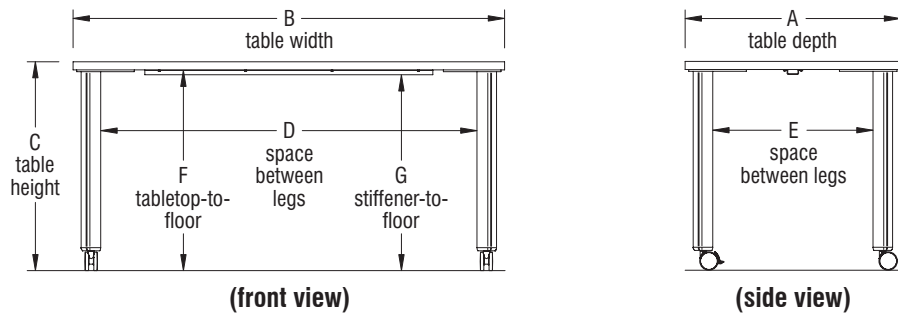


Model TJKAA - 30" x 72" Rectangular Post-Leg Table, U-Shaped Configuration (PMA1-PMA2 shown)

DIMENSIONS

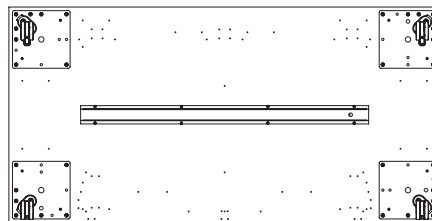
29" Fixed-Height Tributaire Rectangular Post-Leg Tables (4-legs) (74P edge)							
Model Number	A Table Depth	B Table Width	C Table Height	D Space Between Legs	E Space Between Legs	F Tabletop-to-Floor	G Stiffener-to-Floor
TJAAA2436	24"	36"	29"	28.26"	16.26"	27.87"	N/A
TJAAA2442	24"	42"	29"	34.26"	16.26"	27.87"	N/A
TJAAA2448	24"	48"	29"	40.26"	16.26"	27.87"	N/A
TJAAA2454	24"	54"	29"	46.26"	16.26"	27.87"	N/A
TJAAA2460	24"	60"	29"	52.26"	16.26"	27.87"	27.20"
TJAAA2466	24"	66"	29"	58.26"	16.26"	27.87"	27.20"
TJAAA2472	24"	72"	29"	64.26"	16.26"	27.87"	27.20"
TJAAA3036	30"	36"	29"	28.26"	22.26"	27.87"	N/A
TJAAA3042	30"	42"	29"	34.26"	22.26"	27.87"	N/A
TJAAA3048	30"	48"	29"	40.26"	22.26"	27.87"	N/A
TJAAA3054	30"	54"	29"	46.26"	22.26"	27.87"	N/A
TJAAA3060	30"	60"	29"	52.26"	22.26"	27.87"	27.20"
TJAAA3066	30"	66"	29"	58.26"	22.26"	27.87"	27.20"
TJAAA3072	30"	72"	29"	64.26"	22.26"	27.87"	27.20"
TJAAA3642	36"	42"	29"	34.26"	28.26"	27.87"	N/A
TJAAA3648	36"	48"	29"	40.26"	28.26"	27.87"	N/A
TJAAA3654	36"	54"	29"	46.26"	28.26"	27.87"	N/A
TJAAA3660	36"	60"	29"	52.26"	28.26"	27.87"	27.20"
TJAAA3666	36"	66"	29"	58.26"	28.26"	27.87"	27.20"
TJAAA3672	36"	72"	29"	64.26"	28.26"	27.87"	27.20"
TJAAA4272	42"	72"	29"	64.26"	34.26"	27.87"	27.20"
TJAAA4872	48"	72"	29"	64 1/4"	40.26"	27.87"	27.20"

(model TJAAA3060/74P shown below)



(front view)

(side view)

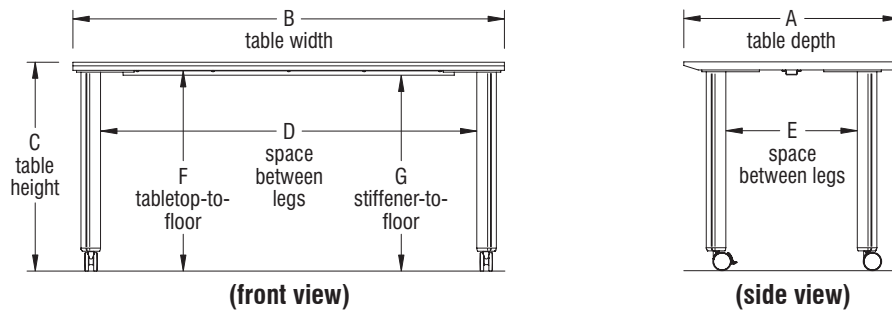


(bottom view)

DIMENSIONS
 (cont.)

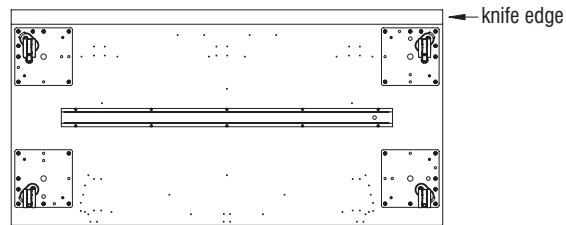
29" Fixed-Height Tributaire Rectangular Post-Leg Tables (4-legs) (KN edge)							
Model Number	A Table Depth	B Table Width	C Table Height	D Space Between Legs	E Space Between Legs	F Tabletop-to-Floor	G Stiffener-to-Floor
TJEA2436-KN	24"	36"	29"	28.26"	12.26"	27.87"	N/A
TJEA2442-KN	24"	42"	29"	34.26"	12.26"	27.87"	N/A
TJEA2448-KN	24"	48"	29"	40.26"	12.26"	27.87"	N/A
TJEA2454-KN	24"	54"	29"	46.26"	12.26"	27.87"	N/A
TJEA2460-KN	24"	60"	29"	52.26"	12.26"	27.87"	27.20"
TJEA2466-KN	24"	66"	29"	58.26"	12.26"	27.87"	27.20"
TJEA2472-KN	24"	72"	29"	64.26"	12.26"	27.87"	27.20"
TJEA3036-KN	30"	36"	29"	28.26"	18.26"	27.87"	N/A
TJEA3042-KN	30"	42"	29"	34.26"	18.26"	27.87"	N/A
TJEA3048-KN	30"	48"	29"	40.26"	18.26"	27.87"	N/A
TJEA3054-KN	30"	54"	29"	46.26"	18.26"	27.87"	N/A
TJEA3060-KN	30"	60"	29"	52.26"	18.26"	27.87"	27.20"
TJEA3066-KN	30"	66"	29"	58.26"	18.26"	27.87"	27.20"
TJEA3072-KN	30"	72"	29"	64.26"	18.26"	27.87"	27.20"
TJEA3642-KN	36"	42"	29"	34.26"	24.26"	27.87"	N/A
TJEA3648-KN	36"	48"	29"	40.26"	24.26"	27.87"	N/A
TJEA3654-KN	36"	54"	29"	46.26"	24.26"	27.87"	N/A
TJEA3660-KN	36"	60"	29"	52.26"	24.26"	27.87"	27.20"
TJEA3666-KN	36"	66"	29"	58.26"	24.26"	27.87"	27.20"
TJEA3672-KN	36"	72"	29"	64.26"	24.26"	27.87"	27.20"
TJEA4272-KN	42"	72"	29"	64.26"	30.26"	27.87"	27.20"
TJEA4872-KN	48"	72"	29"	64¼"	36.26"	27.87"	27.20"

(model TJEA3060/KN shown below)



(front view)

(side view)

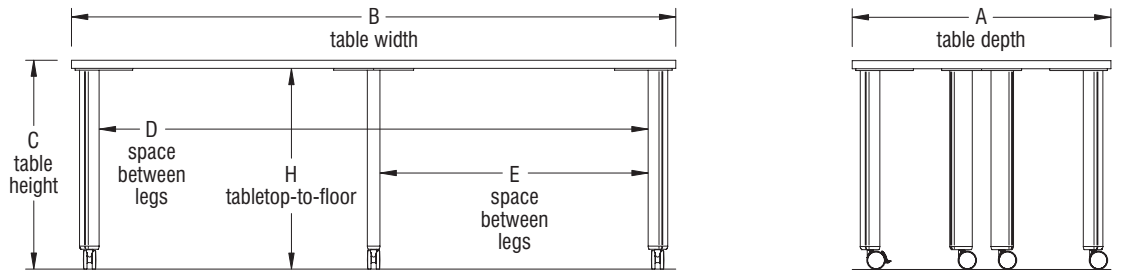


(bottom view)

**DIMENSIONS
 (cont.)**

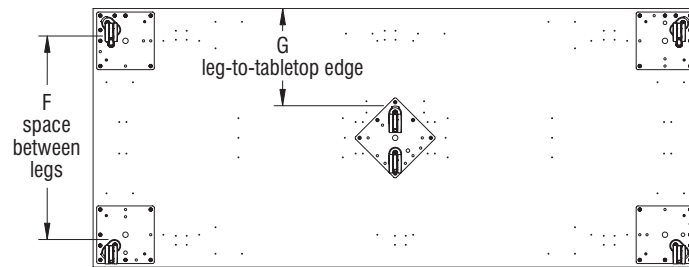
29" Fixed-Height Tributaire Rectangular Post-Leg Tables (6-legs) (74P edge)								
Model Number	A Table Depth	B Table Width	C Table Height	D Space Between Legs	E Space Between Legs	F Space Between Legs	G Leg-to-Tabletop Edge	H Tabletop-to-Floor
TJEA3684	36"	84"	29"	76.25"	37.25"	28.25"	13.54"	27.87"
TJEA3696	36"	96"	29"	88.25"	43.25"	28.25"	13.54"	27.87"
TJEA4284	42"	84"	29"	76.25"	37.25"	34.25"	16.54"	27.87"
TJEA4296	42"	96"	29"	88.25"	43.25"	34.25"	16.54"	27.87"
TJEA4884	48"	84"	29"	76.25"	37.25"	40.25"	13.78"	27.87"
TJEA4896	48"	96"	29"	88.25"	43.25"	40.25"	13.78"	27.87"

(model TJEA3684/74P shown below)



(front view)

(side view)

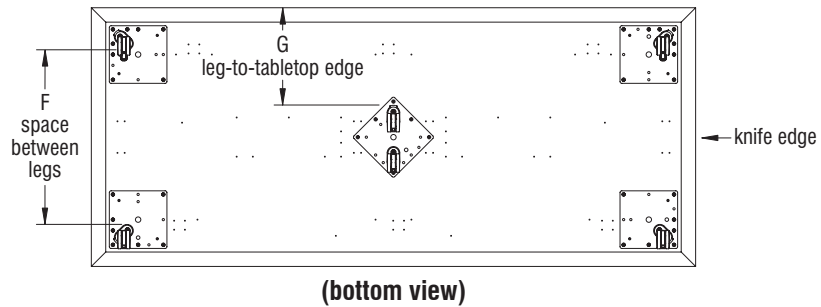
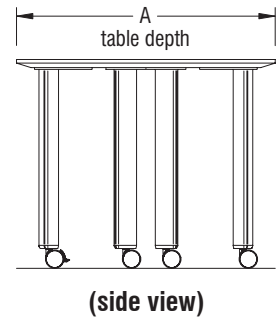
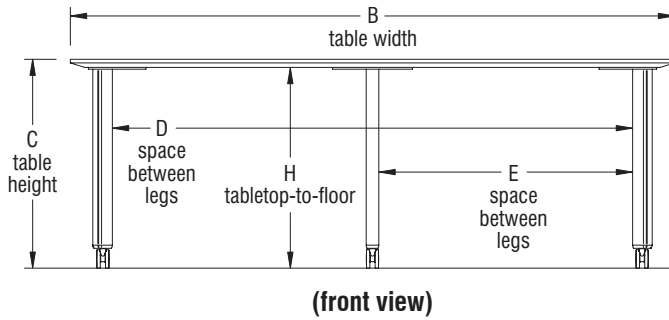


(bottom view)

DIMENSIONS
 (cont.)

29" Fixed-Height Tributaire Rectangular Post-Leg Tables (6-legs) (KN edge)								
Model Number	A Table Depth	B Table Width	C Table Height	D Space Between Legs	E Space Between Legs	F Space Between Legs	G Leg-to-Tabletop Edge	H Tabletop-to-Floor
TJEA3684-KN	36"	84"	29"	72.25"	35.25"	24.25"	13.54"	27.87"
TJEA3696-KN	36"	96"	29"	84.25"	41.37"	24.25"	13.54"	27.87"
TJEA4284-KN	42"	84"	29"	72.25"	35.25"	30.25"	16.54"	27.87"
TJEA4296-KN	42"	96"	29"	84.25"	41.37"	30.25"	16.54"	27.87"
TJEA4884-KN	48"	84"	29"	72.25"	35.25"	36.25"	13.78"	27.87"
TJEA4896-KN	48"	96"	29"	84.25"	41.37"	36.25"	13.78"	27.87"

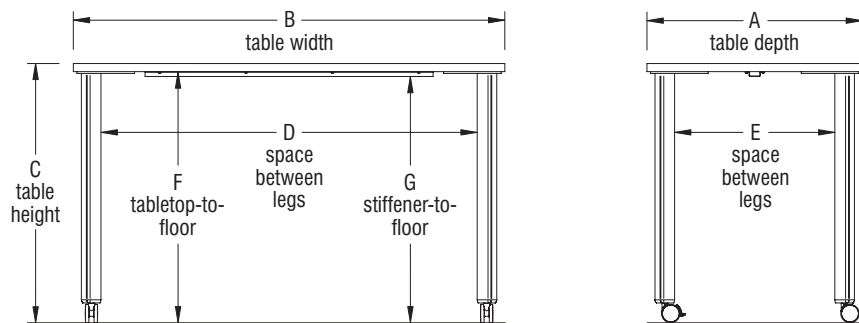
(model TJEA3684/KN shown below)



**DIMENSIONS
 (cont.)**

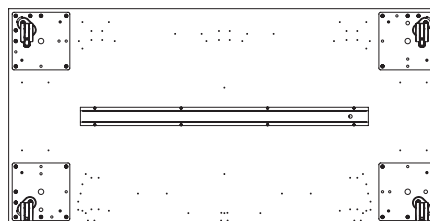
36" Fixed-Height Tributaire Rectangular Post-Leg Tables (4-legs) (74P edge)							
Model Number	A Table Depth	B Table Width	C Table Height	D Space Between Legs	E Space Between Legs	F Tabletop-to-Floor	G Stiffener-to-Floor
TJEB A2436	24"	36"	36"	28.26"	16.26"	34.87"	N/A
TJEB A2442	24"	42"	36"	34.26"	16.26"	34.87"	N/A
TJEB A2448	24"	48"	36"	40.26"	16.26"	34.87"	N/A
TJEB A2454	24"	54"	36"	46.26"	16.26"	34.87"	N/A
TJEB A2460	24"	60"	36"	52.26"	16.26"	34.87"	34.20"
TJEB A2466	24"	66"	36"	58.26"	16.26"	34.87"	34.20"
TJEB A2472	24"	72"	36"	64.26"	16.26"	34.87"	34.20"
TJEB A3036	30"	36"	36"	28.26"	22.26"	34.87"	N/A
TJEB A3042	30"	42"	36"	34.26"	22.26"	34.87"	N/A
TJEB A3048	30"	48"	36"	40.26"	22.26"	34.87"	N/A
TJEB A3054	30"	54"	36"	46.26"	22.26"	34.87"	N/A
TJEB A3060	30"	60"	36"	52.26"	22.26"	34.87"	34.20"
TJEB A3066	30"	66"	36"	58.26"	22.26"	34.87"	34.20"
TJEB A3072	30"	72"	36"	64.26"	22.26"	34.87"	34.20"
TJEB A3642	36"	42"	36"	34.26"	28.26"	34.87"	N/A
TJEB A3648	36"	48"	36"	40.26"	28.26"	34.87"	N/A
TJEB A3654	36"	54"	36"	46.26"	28.26"	34.87"	N/A
TJEB A3660	36"	60"	36"	52.26"	28.26"	34.87"	34.20"
TJEB A3666	36"	66"	36"	58.26"	28.26"	34.87"	34.20"
TJEB A3672	36"	72"	36"	64.26"	28.26"	34.87"	34.20"

(model TJEB A3060/74P shown below)



(front view)

(side view)

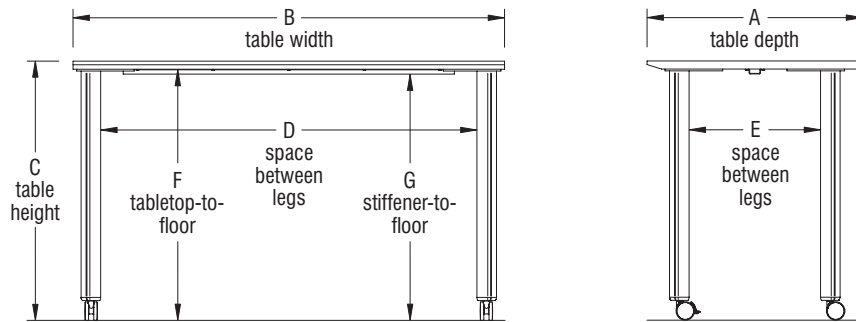


(bottom view)

DIMENSIONS
 (cont.)

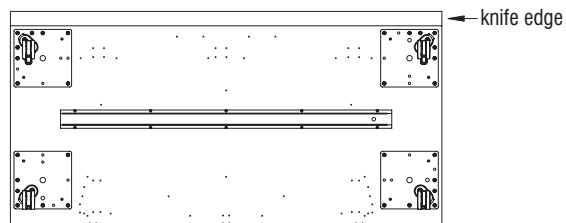
36" Fixed-Height Tributaire Rectangular Post-Leg Tables (4-legs) (KN edge)							
Model Number	A Table Depth	B Table Width	C Table Height	D Space Between Legs	E Space Between Legs	F Tabletop-to-Floor	G Stiffener-to-Floor
TJEB2436-KN	24"	36"	36"	28.26"	12.26"	34.87"	N/A
TJEB2442-KN	24"	42"	36"	34.26"	12.26"	34.87"	N/A
TJEB2448-KN	24"	48"	36"	40.26"	12.26"	34.87"	N/A
TJEB2454-KN	24"	54"	36"	46.26"	12.26"	34.87"	N/A
TJEB2460-KN	24"	60"	36"	52.26"	12.26"	34.87"	34.20"
TJEB2466-KN	24"	66"	36"	58.26"	12.26"	34.87"	34.20"
TJEB2472-KN	24"	72"	36"	64.26"	12.26"	34.87"	34.20"
TJEB3036-KN	30"	36"	36"	28.26"	18.26"	34.87"	N/A
TJEB3042-KN	30"	42"	36"	34.26"	18.26"	34.87"	N/A
TJEB3048-KN	30"	48"	36"	40.26"	18.26"	34.87"	N/A
TJEB3054-KN	30"	54"	36"	46.26"	18.26"	34.87"	N/A
TJEB3060-KN	30"	60"	36"	52.26"	18.26"	34.87"	34.20"
TJEB3066-KN	30"	66"	36"	58.26"	18.26"	34.87"	34.20"
TJEB3072-KN	30"	72"	36"	64.26"	18.26"	34.87"	34.20"
TJEB3642-KN	36"	42"	36"	34.26"	24.26"	34.87"	N/A
TJEB3648-KN	36"	48"	36"	40.26"	24.26"	34.87"	N/A
TJEB3654-KN	36"	54"	36"	46.26"	24.26"	34.87"	N/A
TJEB3660-KN	36"	60"	36"	52.26"	24.26"	34.87"	34.20"
TJEB3666-KN	36"	66"	36"	58.26"	24.26"	34.87"	34.20"
TJEB3672-KN	36"	72"	36"	64.26"	24.26"	34.87"	34.20"

(model TJEB3060/KN shown below)



(front view)

(side view)

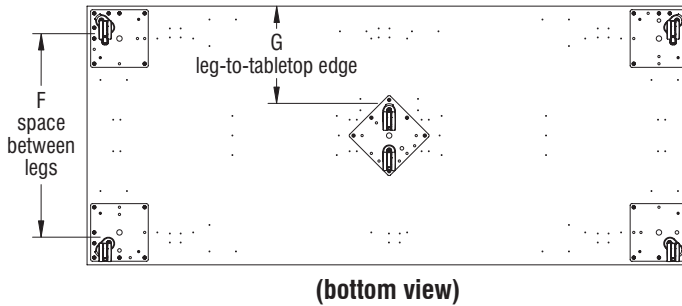
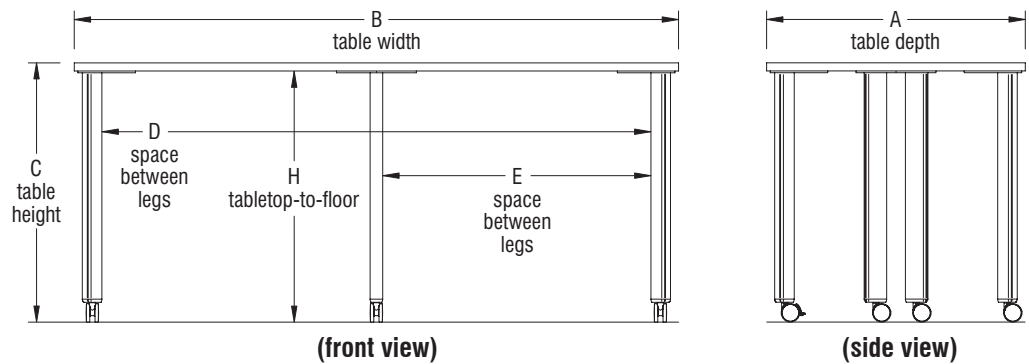


(bottom view)

**DIMENSIONS
 (cont.)**

36" Fixed-Height Tributaire Rectangular Post-Leg Tables (6-legs) (74P edge)								
Model Number	A Table Depth	B Table Width	C Table Height	D Space Between Legs	E Space Between Legs	F Space Between Legs	G Leg-to-Tabletop Edge	H Tabletop-to-Floor
TJEB3684	36"	84"	36"	76.26"	37.26"	28.26"	13.54"	34.87"
TJEB3696	36"	96"	36"	88.26"	43.26"	28.26"	13.54"	34.87"

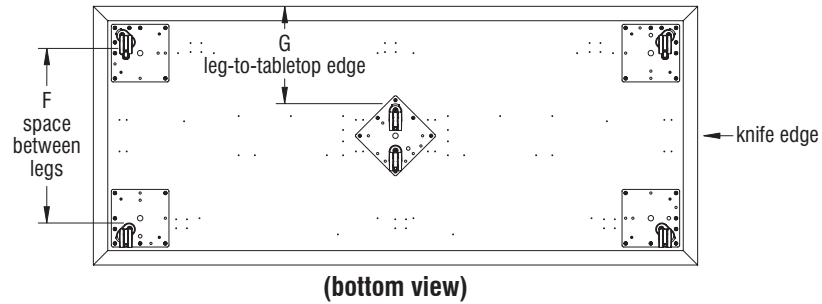
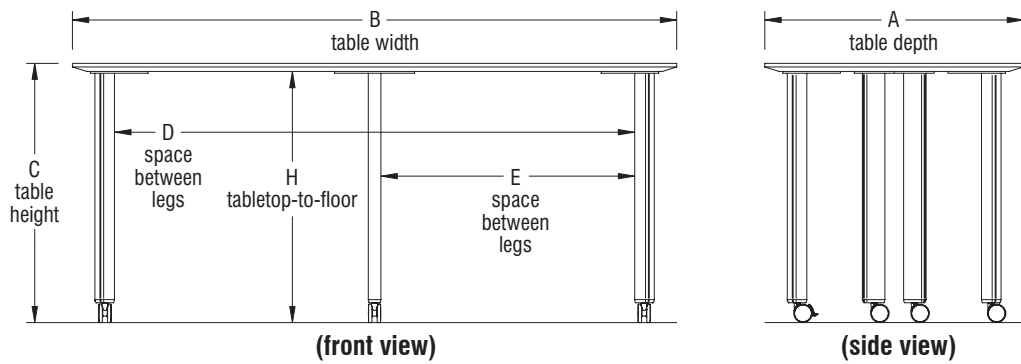
(model TJEB3684/74P shown below)



DIMENSIONS
 (cont.)

36" Fixed-Height Tributaire Rectangular Post-Leg Tables (6-legs) (KN edge)								
Model Number	A Table Depth	B Table Width	C Table Height	D Space Between Legs	E Space Between Legs	F Space Between Legs	G Leg-to-Tabletop Edge	H Tabletop-to-Floor
TJEB3684-KN	36"	84"	36"	72.25"	35.25"	24.25"	13.54"	34.87"
TJEB3696-KN	36"	96"	36"	84.25"	41.25"	24.25"	13.54"	34.87"

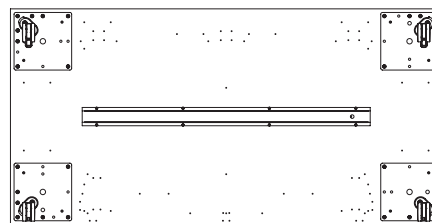
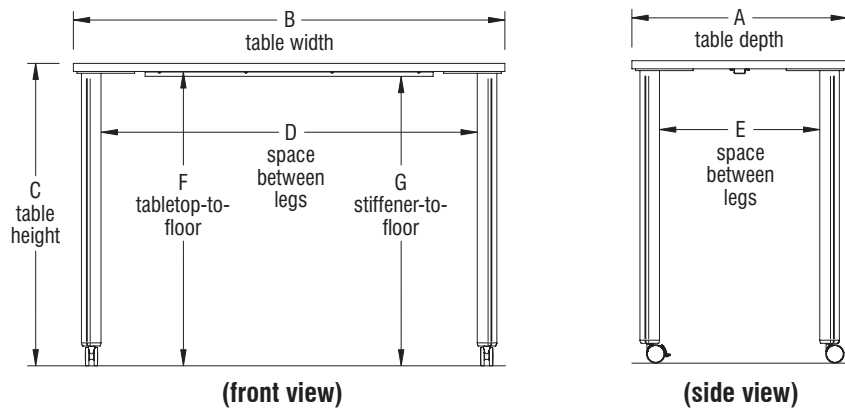
(model TJEB3684/KN shown below)



DIMENSIONS
 (cont.)

42" Fixed-Height Tributaire Rectangular Post-Leg Tables (4-legs) (74P edge)							
Model Number	A Table Depth	B Table Width	C Table Height	D Space Between Legs	E Space Between Legs	F Tabletop-to-Floor	G Stiffener-to-Floor
TJECA2436	24"	36"	42"	28.26"	16.07"	40.87"	N/A
TJECA2442	24"	42"	42"	34.26"	16.07"	40.87"	N/A
TJECA2448	24"	48"	42"	40.26"	16.07"	40.87"	N/A
TJECA2454	24"	54"	42"	46.26"	16.07"	40.87"	N/A
TJECA2460	24"	60"	42"	52.26"	16.07"	40.87"	40.20"
TJECA2466	24"	66"	42"	58.26"	16.07"	40.87"	40.20"
TJECA2472	24"	72"	42"	64.26"	16.07"	40.87"	40.20"
TJECA3036	30"	36"	42"	28.26"	22.07"	40.87"	N/A
TJECA3042	30"	42"	42"	34.26"	22.07"	40.87"	N/A
TJECA3048	30"	48"	42"	40.26"	22.07"	40.87"	N/A
TJECA3054	30"	54"	42"	46.26"	22.07"	40.87"	N/A
TJECA3060	30"	60"	42"	52.26"	22.07"	40.87"	40.20"
TJECA3066	30"	66"	42"	58.26"	22.07"	40.87"	40.20"
TJECA3072	30"	72"	42"	64.26"	22.07"	40.87"	40.20"
TJECA3642	36"	42"	42"	34.26"	28.07"	40.87"	N/A
TJECA3648	36"	48"	42"	40.26"	28.07"	40.87"	N/A
TJECA3654	36"	54"	42"	46.26"	28.07"	40.87"	N/A
TJECA3660	36"	60"	42"	52.26"	28.07"	40.87"	40.20"
TJECA3666	36"	66"	42"	58.26"	28.07"	40.87"	40.20"
TJECA3672	36"	72"	42"	64.26"	28.07"	40.87"	40.20"

(model TJECA3060/74P shown below)

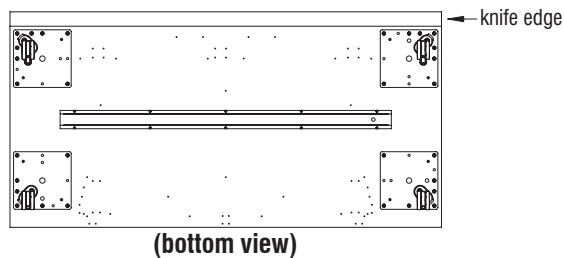
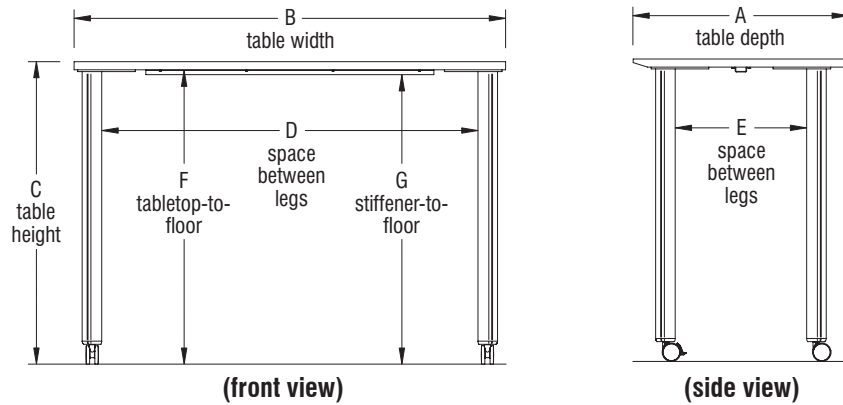


(bottom view)

DIMENSIONS
 (cont.)

42" Fixed-Height Tributaire Rectangular Post-Leg Tables (4-legs) (KN edge)							
Model Number	A Table Depth	B Table Width	C Table Height	D Space Between Legs	E Space Between Legs	F Tabletop-to-Floor	G Stiffener-to-Floor
TJECA2436-KN	24"	36"	42"	28.26"	12.07"	40.87"	N/A
TJECA2442-KN	24"	42"	42"	34.26"	12.07"	40.87"	N/A
TJECA2448-KN	24"	48"	42"	40.26"	12.07"	40.87"	N/A
TJECA2454-KN	24"	54"	42"	46.26"	12.07"	40.87"	N/A
TJECA2460-KN	24"	60"	42"	52.26"	12.07"	40.87"	40.20"
TJECA2466-KN	24"	66"	42"	58.26"	12.07"	40.87"	40.20"
TJECA2472-KN	24"	72"	42"	64.26"	12.07"	40.87"	40.20"
TJECA3036-KN	30"	36"	42"	28.26"	18.07"	40.87"	N/A
TJECA3042-KN	30"	42"	42"	34.26"	18.07"	40.87"	N/A
TJECA3048-KN	30"	48"	42"	40.26"	18.07"	40.87"	N/A
TJECA3054-KN	30"	54"	42"	46.26"	18.07"	40.87"	N/A
TJECA3060-KN	30"	60"	42"	52.26"	18.07"	40.87"	40.20"
TJECA3066-KN	30"	66"	42"	58.26"	18.07"	40.87"	40.20"
TJECA3072-KN	30"	72"	42"	64.26"	18.07"	40.87"	40.20"
TJECA3642-KN	36"	42"	42"	34.26"	24.07"	40.87"	N/A
TJECA3648-KN	36"	48"	42"	40.26"	24.07"	40.87"	N/A
TJECA3654-KN	36"	54"	42"	46.26"	24.07"	40.87"	N/A
TJECA3660-KN	36"	60"	42"	52.26"	24.07"	40.87"	40.20"
TJECA3666-KN	36"	66"	42"	58.26"	24.07"	40.87"	40.20"
TJECA3672-KN	36"	72"	42"	64.26"	24.07"	40.87"	40.20"

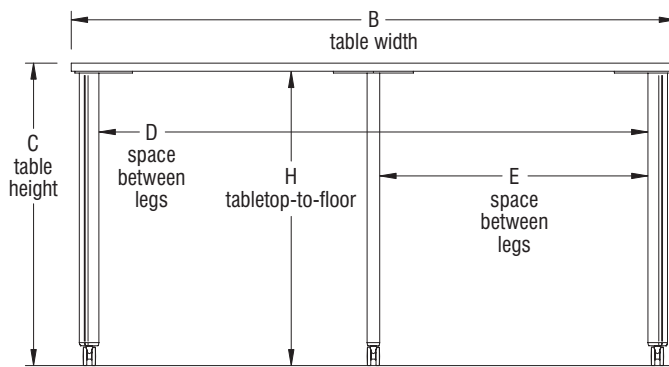
(model TJECA3060/KN shown below)



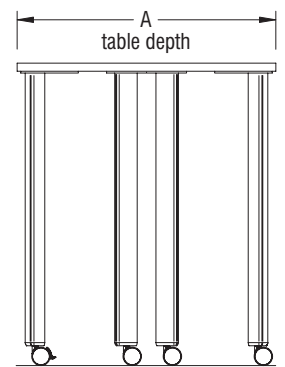
DIMENSIONS
 (cont.)

42" Fixed-Height Tributaire Rectangular Post-Leg Tables (6-legs) (74P edge)								
Model Number	A Table Depth	B Table Width	C Table Height	D Space Between Legs	E Space Between Legs	F Space Between Legs	G Leg-to-Tabletop Edge	H Tabletop-to-Floor
TJECA3684	36"	84"	42"	76.26"	37.25"	28.07"	13.54"	40.87"
TJECA3696	36"	96"	42"	88.26"	43.25"	28.07"	13.54"	40.87"

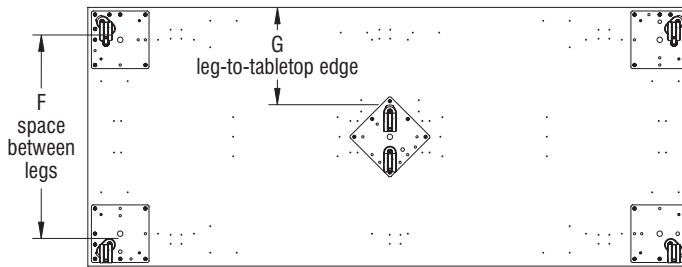
(model TJECA3684/74P shown below)



(front view)



(side view)

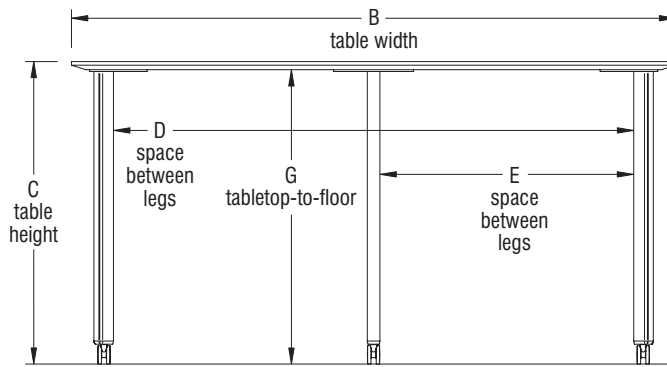


(bottom view)

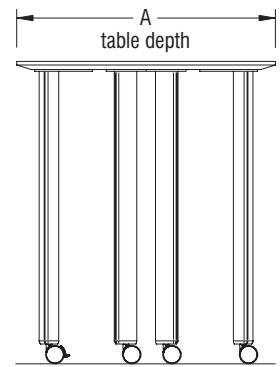
DIMENSIONS
 (cont.)

42" Fixed-Height Tributaire Rectangular Post-Leg Tables (6-legs) (KN edge)								
Model Number	A Table Depth	B Table Width	C Table Height	D Space Between Legs	E Space Between Legs	F Space Between Legs	G Leg-to-Tabletop Edge	H Tabletop-to-Floor
TJECA3684-KN	36"	84"	42"	72.25"	35.25"	28.07"	13.54"	40.87"
TJECA3696-KN	36"	96"	42"	84.25"	41.25"	28.07"	13.54"	40.87"

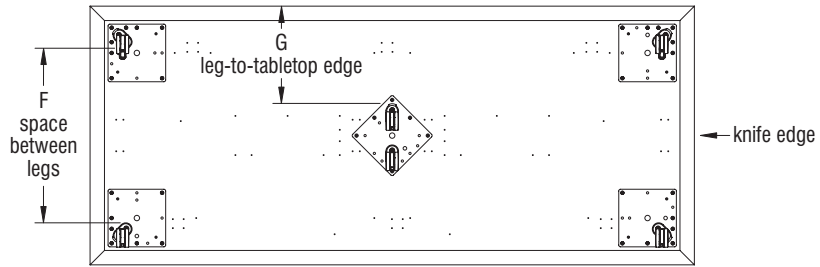
(model TJECA3684/KN shown below)



(front view)



(side view)

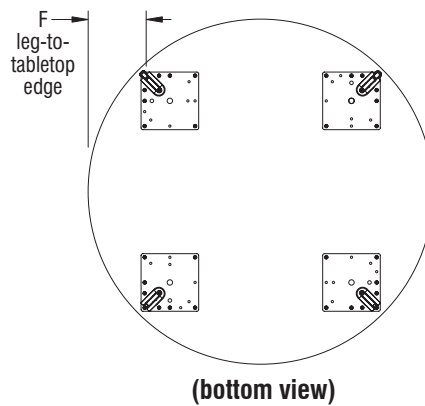
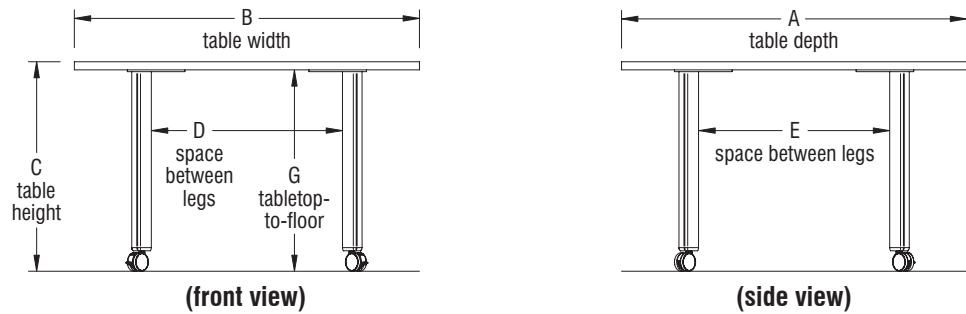


(bottom view)

DIMENSIONS
 (cont.)

Fixed-Height Tributaire Round Post-Leg Tables (74P edge)							
Model Number	A Table Depth	B Table Width	C Table Height	D Space Between Legs	E Space Between Legs	F Leg-to-Table Edge	G Tabletop-to-Floor
TJEAB42	42"	42"	29"	22.31"	22.31"	7.09"	27.96"
TJEAB48	48"	48"	29"	26.55"	26.55"	7.97"	27.96"
TJEAB60	60"	60"	29"	35.04"	35.04"	9.72"	27.96"
TJEBB42	42"	42"	36"	22.31"	22.31"	7.09"	34.96"
TJEBB48	48"	48"	36"	26.55"	26.55"	7.97"	34.96"
TJEBB60	60"	60"	36"	35.04"	35.04"	9.72"	34.96"
TJECB42	42"	42"	42"	22.31"	22.31"	7.09"	40.96"
TJECB48	48"	48"	42"	26.55"	26.55"	7.97"	40.96"
TJECB60	60"	60"	42"	35.04"	35.04"	9.72"	40.96"

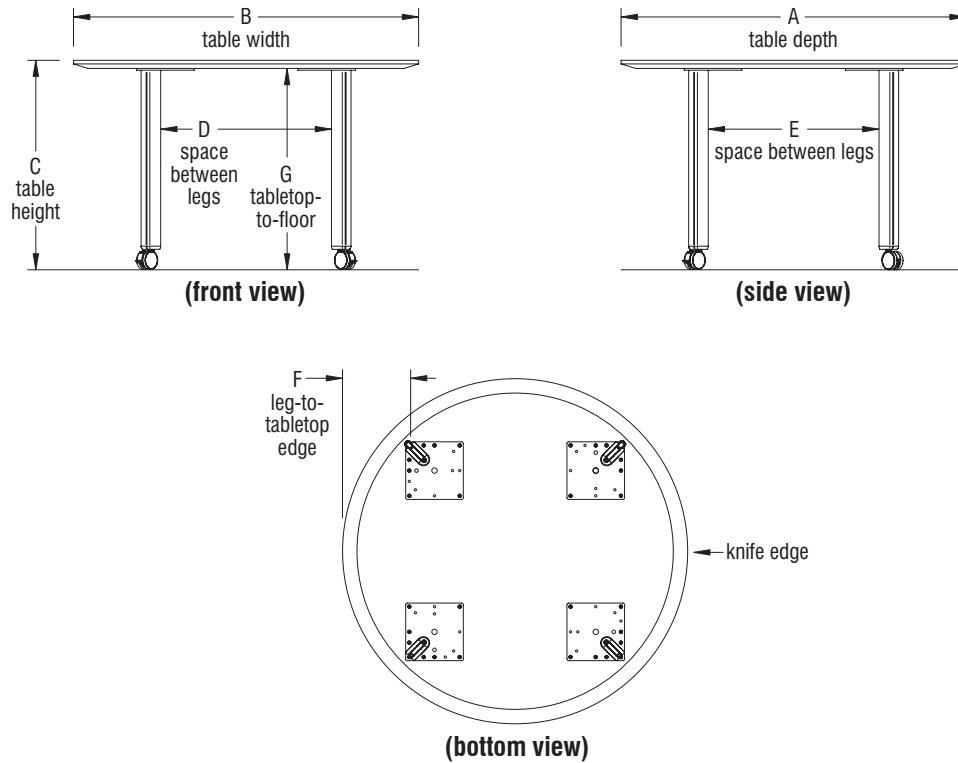
(model TJEAB48/74P shown below)



DIMENSIONS
 (cont.)

Fixed-Height Tributaire Round Post-Leg Tables (KN edge)							
Model Number	A Table Depth	B Table Width	C Table Height	D Space Between Legs	E Space Between Legs	F Leg-to-Table Edge	G Tabletop-to-Floor
TJEAB42-KN	42"	42"	29"	19.48"	22.31"	8.50"	27.96"
TJEAB48-KN	48"	48"	29"	23.72"	26.55"	9.38"	27.96"
TJEAB60-KN	60"	60"	29"	32.31"	35.04"	11.14"	27.96"
TJEBB42-KN	42"	42"	36"	19.48"	22.31"	8.50"	34.96"
TJEBB48-KN	48"	48"	36"	23.72"	26.55"	9.38"	34.96"
TJEBB60-KN	60"	60"	36"	32.31"	35.04"	11.14"	34.96"
TJECB42-KN	42"	42"	42"	19.48"	22.31"	8.50"	40.96"
TJECB48-KN	48"	48"	42"	23.72"	26.55"	9.38"	40.96"
TJECB60-KN	60"	60"	42"	32.31"	35.04"	11.14"	40.96"

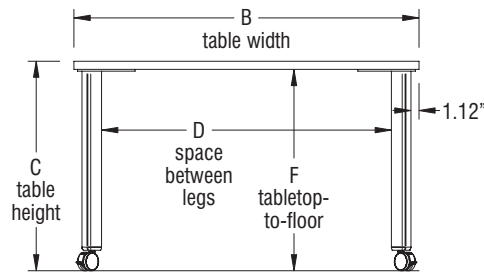
(model TJEAB48/KN shown below)



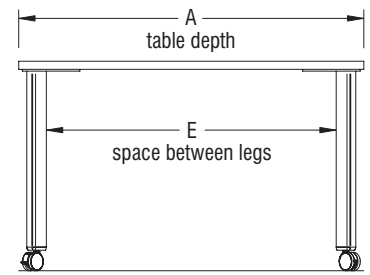
**DIMENSIONS
 (cont.)**

Fixed-Height Tributaire Square Post-Leg Tables (4-legs) (74P edge)						
Model Number	A Table Depth	B Table Width	C Table Height	D Space Between Legs	E Space Between Legs	F Tabletop-to-Floor
TJEAC36	36"	36"	29"	28.26"	28.26"	27.96"
TJEAC42	42"	42"	29"	34.26"	34.26"	27.96"
TJEAC48	48"	48"	29"	40.26"	40.26"	27.96"
TJEBC36	36"	36"	36"	28.26"	28.26"	34.96"
TJEBC42	42"	42"	36"	34.26"	34.26"	34.96"
TJEBC48	48"	48"	36"	40.26"	40.26"	34.96"
TJECC36	36"	36"	42"	28.26"	28.26"	40.96"
TJECC42	42"	42"	42"	34.26"	34.26"	40.96"
TJECC48	48"	48"	42"	40.26"	40.26"	40.96"

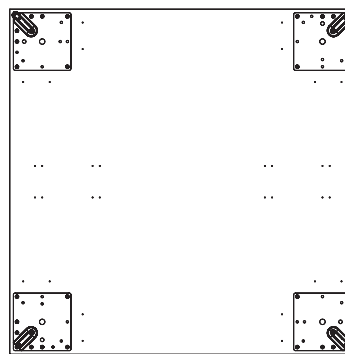
(model TJEAC48/74P shown below)



(front view)



(side view)

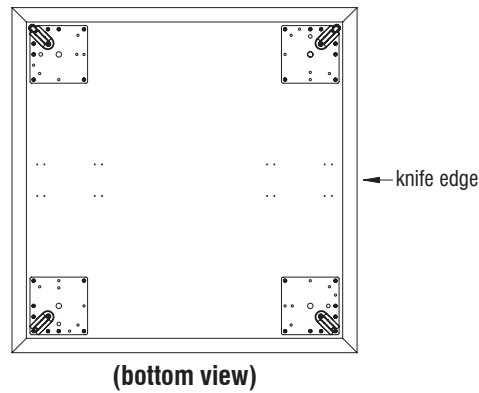
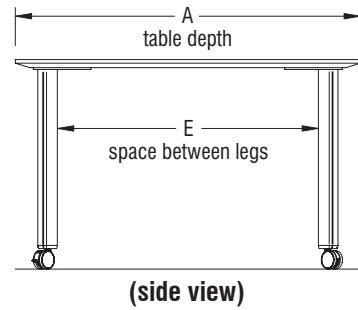
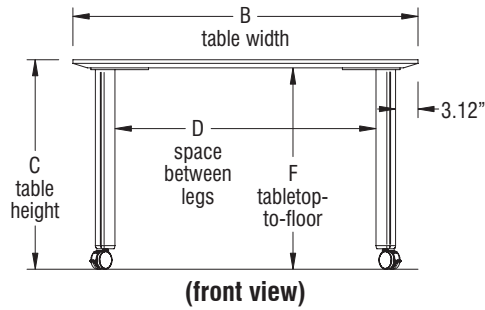


(bottom view)

DIMENSIONS
 (cont.)

Fixed-Height Tributaire Square Post-Leg Tables (4-legs) (KN edge)						
Model Number	A Table Depth	B Table Width	C Table Height	D Space Between Legs	E Space Between Legs	F Tabletop-to-Floor
TJEAC36-KN	36"	36"	29"	24.25"	24.25"	27.96"
TJEAC42-KN	42"	42"	29"	30.25"	30.25"	27.96"
TJEAC48-KN	48"	48"	29"	36.25"	36.25"	27.96"
TJEBC36-KN	36"	36"	36"	24.25"	24.25"	34.96"
TJEBC42-KN	42"	42"	36"	30.25"	30.25"	34.96"
TJEBC48-KN	48"	48"	36"	36.25"	36.25"	34.96"
TJECC36-KN	36"	36"	42"	24.25"	24.25"	40.96"
TJECC42-KN	42"	42"	42"	30.25"	30.25"	40.96"
TJECC48-KN	48"	48"	42"	36.25"	36.25"	40.96"

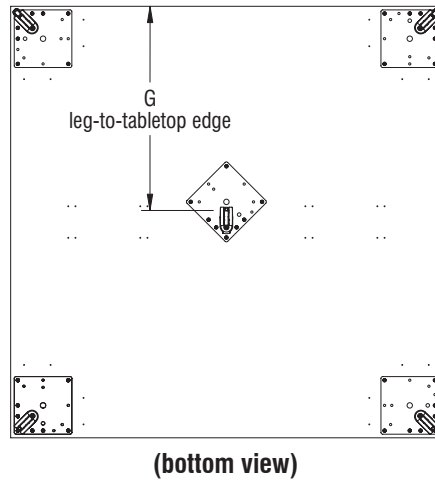
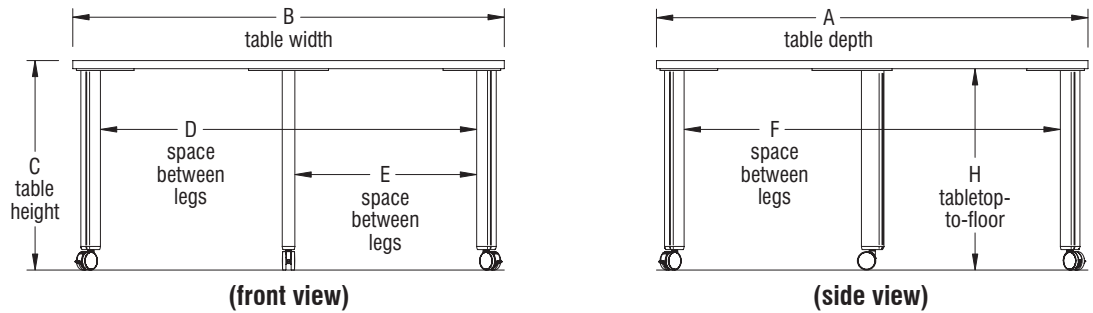
(model TJEAC48/KN shown below)



DIMENSIONS
 (cont.)

Fixed-Height Tributaire Square Post-Leg Tables (5-legs) (74P edge)								
Model Number	A Table Depth	B Table Width	C Table Height	D Space Between Legs	E Space Between Legs	F Space Between Legs	G Leg-to-Tabletop Edge	H Tabletop-to-Floor
TJEAC60	60"	60"	29"	52.26"	28.26"	52.26"	28.46"	27.96"
TJEB60	60"	60"	36"	52.26"	28.26"	52.26"	28.46"	34.96"
TJECC60	60"	60"	42"	52.26"	28.26"	52.26"	28.46"	40.96"

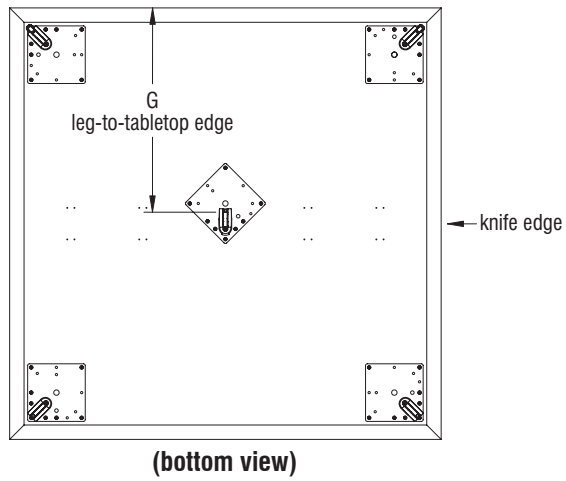
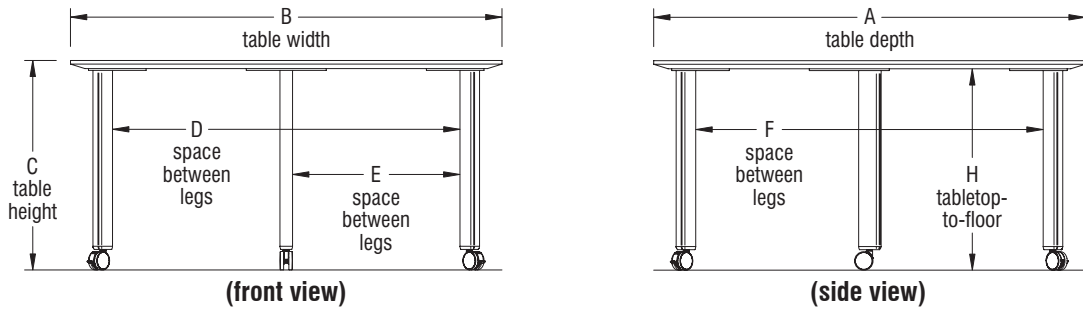
(model TJEB60/74P shown below)



DIMENSIONS
 (cont.)

Fixed-Height Tributaire Square Post-Leg Tables (5-legs) (KN Edge)								
Model Number	A Table Depth	B Table Width	C Table Height	D Space Between Legs	E Space Between Legs	F Space Between Legs	G Leg-to-Tabletop Edge	H Tabletop-to-Floor
TJEAC60-KN	60"	60"	29"	48.25"	23.25"	48.25"	28.46"	27.96"
TJEBC60-KN	60"	60"	36"	48.25"	23.25"	48.25"	28.46"	34.96"
TJECC60-KN	60"	60"	42"	48.25"	23.25"	48.25"	28.46"	40.96"

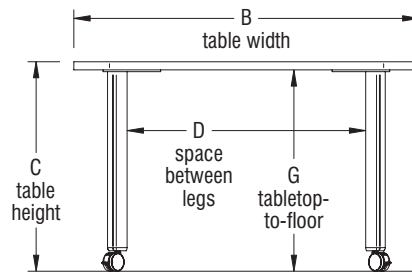
(model TJEBC60/KN shown below)



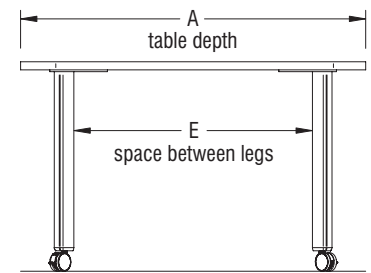
DIMENSIONS
 (cont.)

Fixed-Height Tributaire Rounded Square Post-Leg Tables (74P edge)							
Model Number	A Table Depth	B Table Width	C Table Height	D Space Between Legs	E Space Between Legs	F Leg-to-Table Edge	G Tabletop-to-Floor
TJEAR42	42"	42"	29"	27.49"	27.49"	4.50"	27.96"
TJEAR48	48"	48"	29"	33.13"	33.13"	4.68"	27.96"
TJEBR60	60"	60"	29"	44.61"	44.61"	4.96"	27.96"
TJEBR42	42"	42"	36"	27.49"	27.49"	4.50"	34.96"
TJEBR48	48"	48"	36"	33.13"	33.13"	4.68"	34.96"
TJEBR60	60"	60"	36"	44.61"	44.61"	4.96"	34.96"
TJECR42	42"	42"	42"	27.49"	27.49"	4.50"	40.96"
TJECR48	48"	48"	42"	33.13"	33.13"	4.68"	40.96"
TJECR60	60"	60"	42"	44.61"	44.61"	4.96"	40.96"

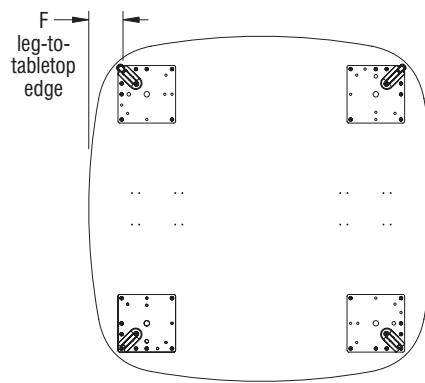
(model TJEAR48/74P shown below)



(front view)



(side view)

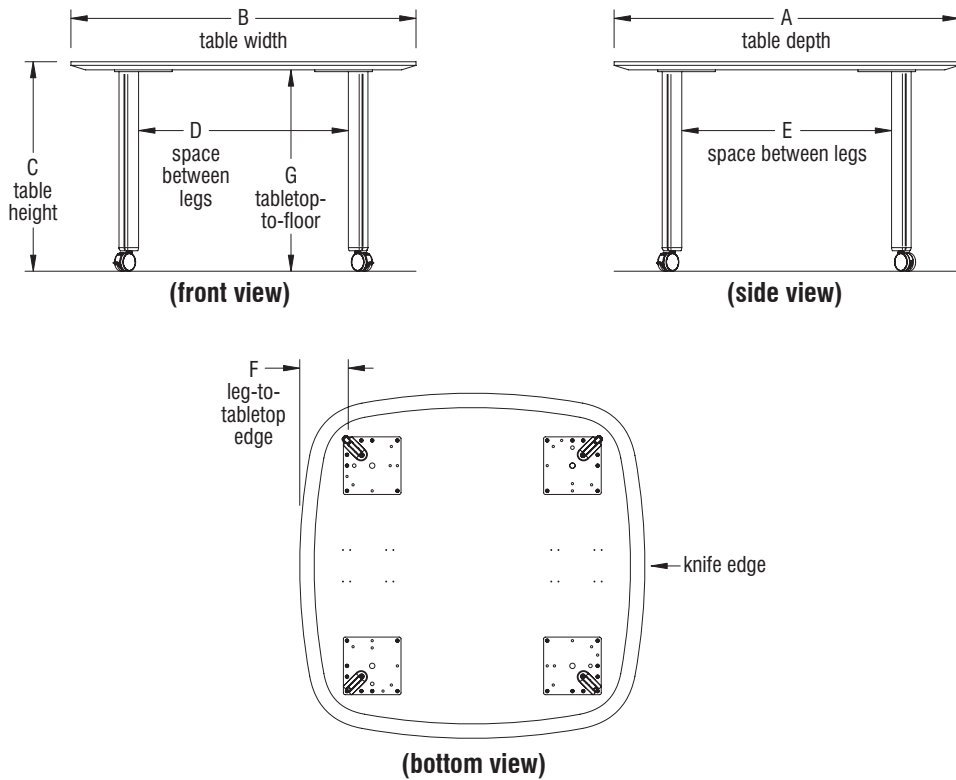


(bottom view)

DIMENSIONS
 (cont.)

Fixed-Height Tributaire Rounded Square Post-Leg Tables (KN edge)							
Model Number	A Table Depth	B Table Width	C Table Height	D Space Between Legs	E Space Between Legs	F Leg-to-Table Edge	G Tabletop-to-Floor
TJEAR42-KN	42"	42"	29"	23.49"	23.49"	5.27"	27.96"
TJEAR48-KN	48"	48"	29"	29.13"	29.13"	5.32"	27.96"
TJEBR60-KN	60"	60"	29"	40.61"	40.61"	5.46"	27.96"
TJEBR42-KN	42"	42"	36"	23.49"	23.49"	5.27"	34.96"
TJEBR48-KN	48"	48"	36"	29.13"	29.13"	5.32"	34.96"
TJEBR60-KN	60"	60"	36"	40.61"	40.61"	5.46"	34.96"
TJECR42-KN	42"	42"	42"	23.49"	23.49"	5.27"	40.96"
TJECR48-KN	48"	48"	42"	29.13"	29.13"	5.32"	40.96"
TJECR60-KN	60"	60"	42"	40.61"	40.61"	5.46"	40.96"

(model TJEAR48/KN shown below)

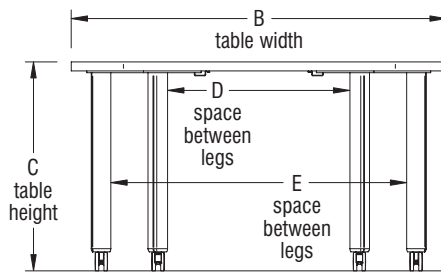


DIMENSIONS
 (cont.)

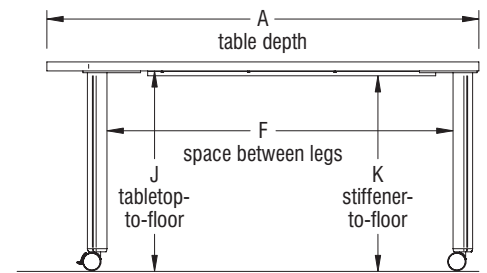
Fixed-Height Tributaire Half-Rounded Square Post-Leg Tables (74P edge)									
Model Number	A Table Depth	B Table Width	C Table Height	D Space Between Legs	E Space Between Legs	F Space Between Legs	G Leg-to-Tabletop Edge	H Leg-to-Tabletop Edge	I Leg-to-Tabletop Edge
TJEAS5260	52"	60"	29"	25.32"	41.08"	48.06"	10.65"	5.62"	2.77"
TJEAS5284	52"	84"	29"	25.32"	41.08"	72.06"	10.65"	5.62"	2.77"

Model Number	J Tabletop-to-Floor	K Stiffener-to-Floor
TJEAS5260	27.75"	27.09"
TJEAS5284	27.75"	27.09"

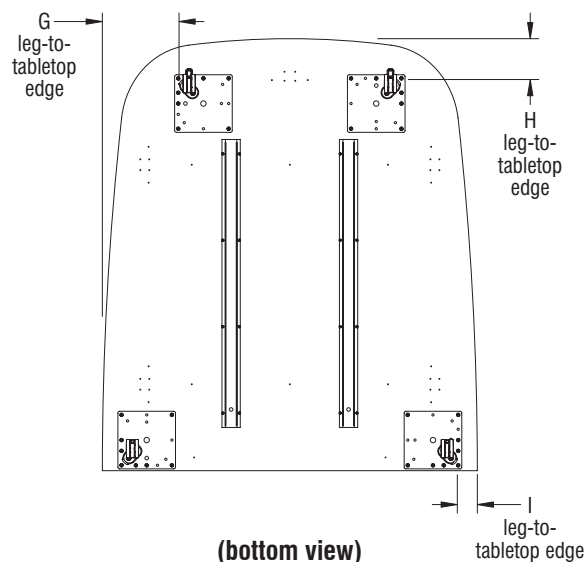
(model TJEAS5260/74P shown below)



(front view)



(side view)



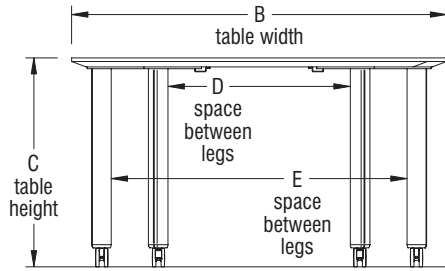
(bottom view)

DIMENSIONS
 (cont.)

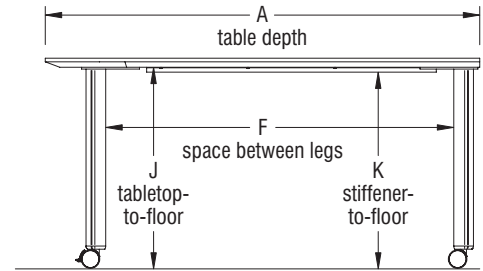
Fixed-Height Tributaire Half-Rounded Square Post-Leg Tables (KN edge)									
Model Number	A Table Depth	B Table Width	C Table Height	D Space Between Legs	E Space Between Legs	F Space Between Legs	G Leg-to-Tabletop Edge	H Leg-to-Tabletop Edge	I Leg-to-Tabletop Edge
TJEAS5260-KN	52"	60"	29"	25.32"	41.08"	48.06"	10.65"	5.62"	2.77"
TJEAS5284-KN	52"	84"	29"	25.32"	41.08"	72.06"	10.65"	5.62"	2.77"

Model Number	J Tabletop-to-Floor	K Stiffener-to-Floor
TJEAS5260-KN	27.75"	27.09"
TJEAS5284-KN	27.75"	27.09"

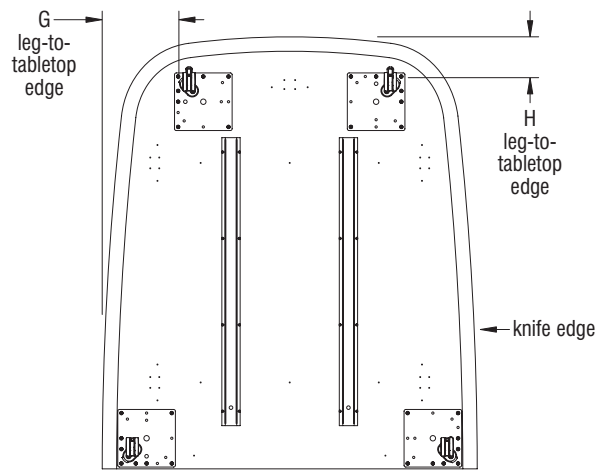
(model TJEAS5260/KN shown below)



(front view)



(side view)

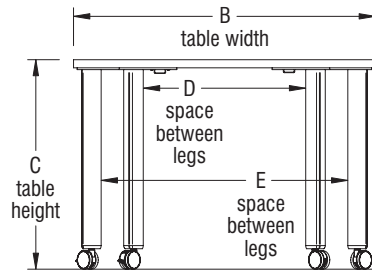


(bottom view)

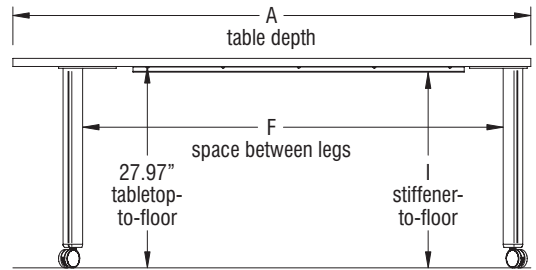
DIMENSIONS
 (cont.)

Fixed-Height Tributaire D-Shaped Post-Leg Tables (74P edge)									
Model Number	A Table Depth	B Table Width	C Table Height	D Space Between Legs	E Space Between Legs	F Space Between Legs	G Leg-to-Tabletop Edge	H Leg-to-Tabletop Edge	I Stiffener-to-Floor
TJEAD4260	42"	60"	29"	22.56"	34.25"	46.41"	7.18"	4.97"	N/A
TJEAD4272	42"	72"	29"	22.56"	34.25"	58.41"	7.18"	4.97"	27.29"
TJEAD4860	48"	60"	29"	26.80"	40.25"	45.53"	7.18"	4.97"	N/A
TJEAD4872	48"	72"	29"	26.80"	40.25"	57.53"	7.18"	4.97"	27.29"
TJEED4260	42"	60"	29"	22.56"	34.25"	46.41"	6.97"	6.97"	N/A
TJEED4272	42"	72"	29"	22.56"	34.25"	58.41"	7.85"	7.85"	27.29"
TJEED4860	48"	60"	29"	26.80"	40.25"	45.53"	7.85"	7.85"	N/A
TJEED4872	48"	72"	29"	26.80"	40.25"	57.53"	7.85"	7.85"	27.29"
TJECD4260	42"	60"	29"	22.56"	34.25"	46.41"	6.97"	6.97"	N/A
TJECD4272	42"	72"	29"	22.56"	34.25"	58.41"	7.85"	7.85"	27.29"
TJECD4860	48"	60"	29"	26.80"	40.25"	45.53"	7.85"	7.85"	N/A
TJECD4872	48"	72"	29"	26.80"	40.25"	57.53"	7.85"	7.85"	27.29"

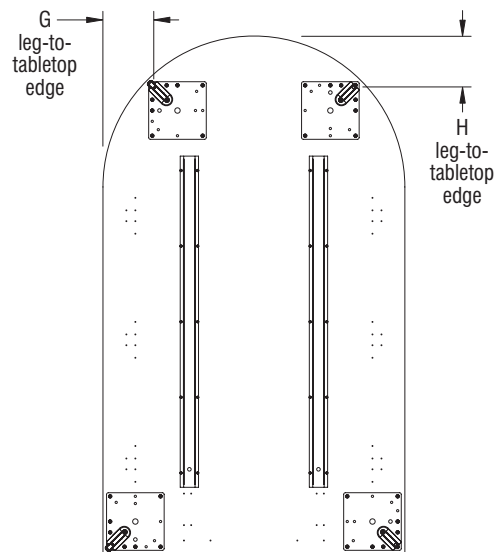
(model TJEAD4272/74P shown below)



(front view)



(side view)

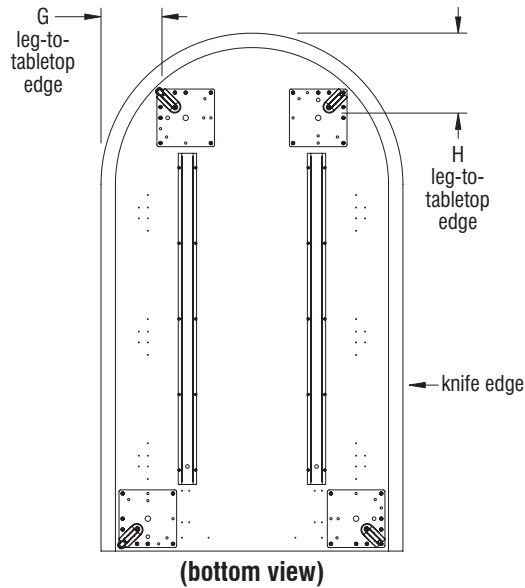
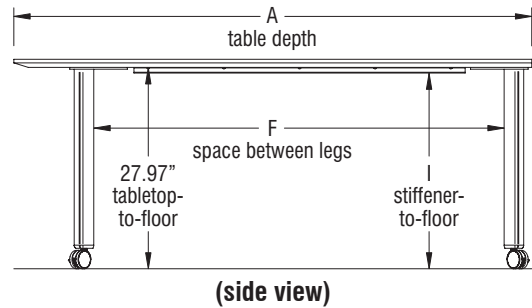
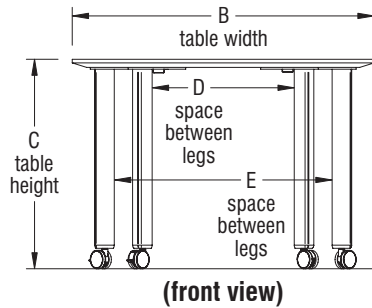


(bottom view)

DIMENSIONS
 (cont.)

Fixed-Height Tributaire D-Shaped Post-Leg Tables (KN edge)									
Model Number	A Table Depth	B Table Width	C Table Height	D Space Between Legs	E Space Between Legs	F Space Between Legs	G Leg-to-Tabletop Edge	H Leg-to-Tabletop Edge	I Stiffener-to-Floor
TJEAD4260-KN	42"	60"	29"	19.73"	30.25"	44.99"	6.38"	6.38"	N/A
TJEAD4272-KN	42"	72"	29"	19.73"	30.25"	56.99"	6.38"	6.38"	27.29"
TJEAD4860-KN	48"	60"	29"	23.97"	36.25"	44.11"	7.26"	7.26"	N/A
TJEAD4872-KN	48"	72"	29"	23.97"	36.25"	56.11"	7.26"	7.26"	27.29"
TJEBD4260-KN	42"	60"	29"	19.73"	30.25"	44.99"	8.38"	8.38"	N/A
TJEBD4272-KN	42"	72"	29"	19.73"	30.25"	56.99"	7.85"	7.85"	27.29"
TJEBD4860-KN	48"	60"	29"	23.97"	36.25"	44.11"	9.26"	9.26"	N/A
TJEBD4872-KN	48"	72"	29"	23.97"	36.25"	56.11"	9.26"	9.26"	27.29"
TJECD4260-KN	42"	60"	29"	19.73"	30.25"	44.99"	8.38"	8.38"	N/A
TJECD4272-KN	42"	72"	29"	19.73"	30.25"	56.99"	8.38"	8.38"	27.29"
TJECD4860-KN	48"	60"	29"	23.97"	36.25"	44.11"	9.26"	9.26"	N/A
TJECD4872-KN	48"	72"	29"	23.97"	36.25"	56.11"	7.85"	7.85"	27.29"

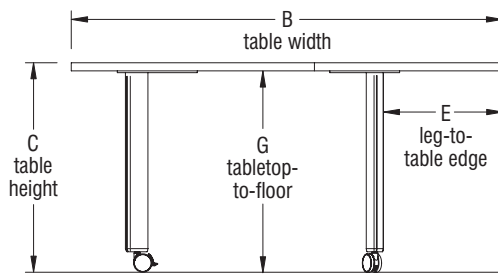
(model TJEAD4272/KN shown below)



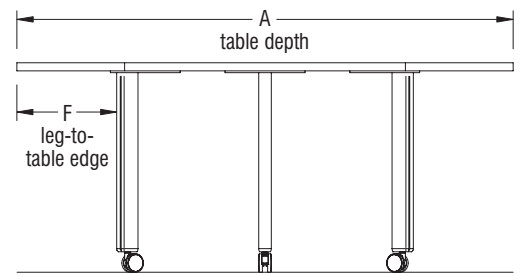
DIMENSIONS
 (cont.)

Fixed-Height Tributaire Sprocket Post-Leg Tables (3-legs) (74P edge)							
Model Number	A Table Depth	B Table Width	C Table Height	D Space Between Legs	E Leg-to-Table Edge	F Leg-to-Table Edge	G Tabletop-to-Floor
TJEAG24L3	56.93"	49.30"	29"	29.75"	12.74"	10.63"	27.75"
TJEAG30L3	68.93"	59.69"	29"	35.28"	16.36"	13.86"	27.75"

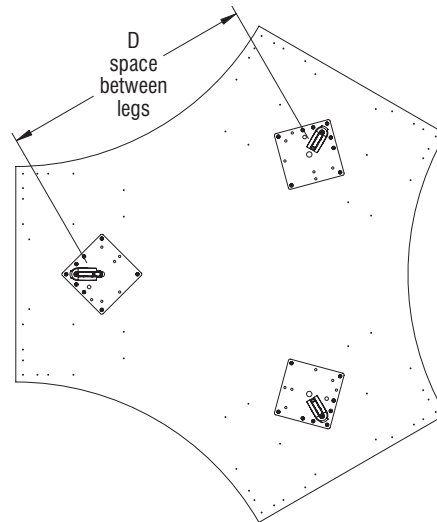
(model TJEAG30L3/74P shown below)



(front view)



(side view)

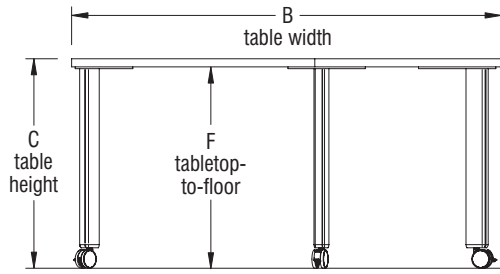


(bottom view)

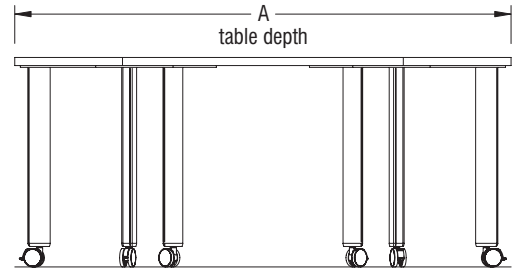
DIMENSIONS
 (cont.)

Fixed-Height Tributaire Sprocket Post-Leg Tables (6-legs) (74P edge)						
Model Number	A Table Depth	B Table Width	C Table Height	D Space Between Legs	E Space Between Legs	F Tabletop-to-Floor
TJEAG30L6	59.69"	59.69"	29"	35.08"	22.25"	27.71"

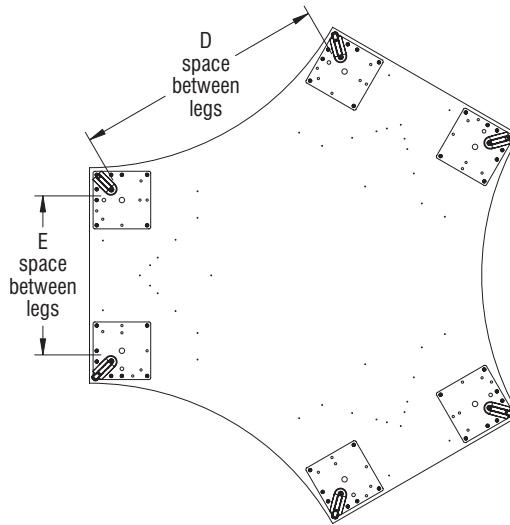
(model TJEAG30L6/74P shown below)



(front view)



(side view)

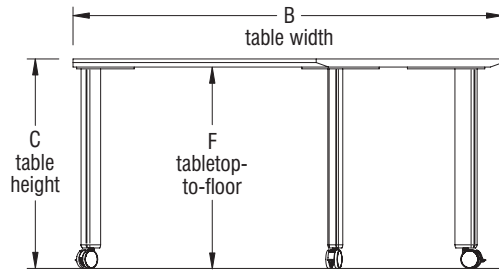


(bottom view)

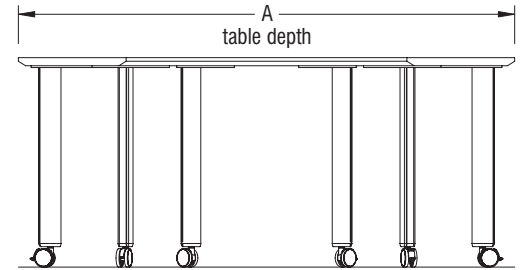
DIMENSIONS
 (cont.)

Fixed-Height Tributaire Sprocket Post-Leg Tables (6-legs) (KN edge)						
Model Number	A Table Depth	B Table Width	C Table Height	D Space Between Legs	E Space Between Legs	F Tabletop-to-Floor
TJEAG30L6-KN	59.69"	59.69"	29"	37.08"	18.25"	27.71"

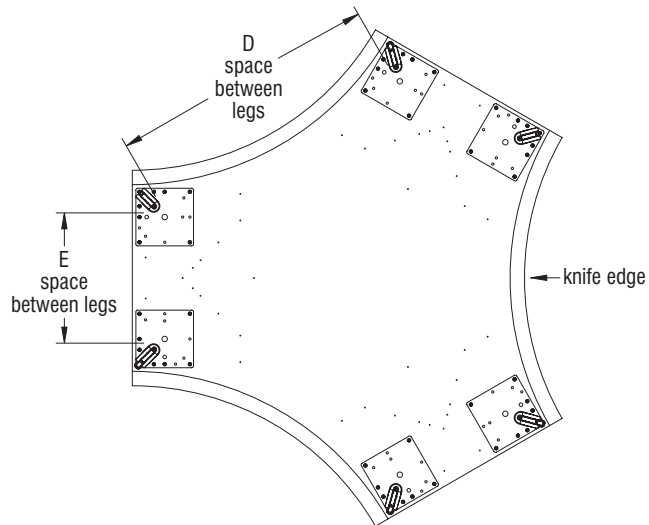
(model TJEAG30L6/KN shown below)



(front view)



(side view)

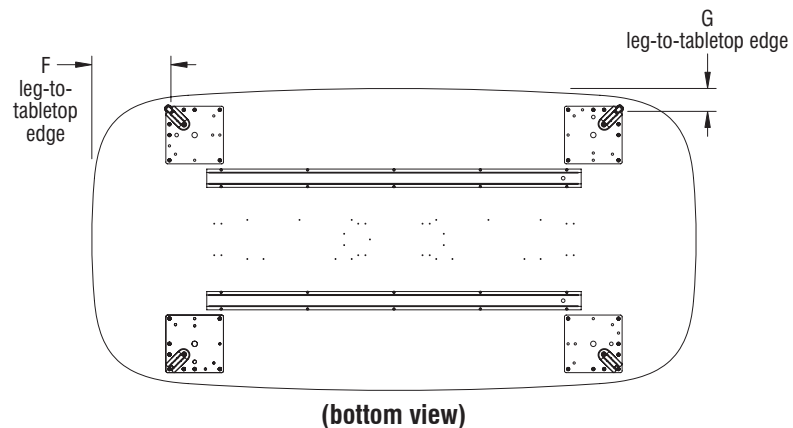
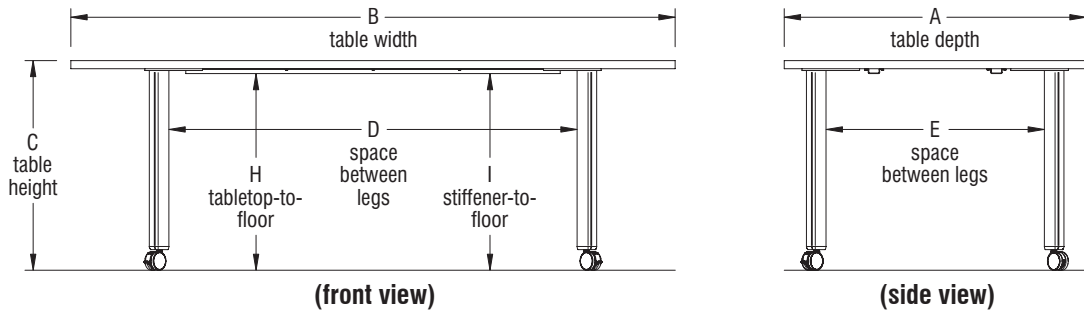


(bottom view)

DIMENSIONS
 (cont.)

Fixed-Height Tributaire Boat Post-Leg Tables (4-legs) (74P edge)									
Model Number	A Table Depth	B Table Width	C Table Height	D Space Between Legs	E Space Between Legs	F Leg-to-Tabletop Edge	G Leg-to-Tabletop Edge	H Tabletop-to-Floor	I Stiffener-to-Floor
TJEAT3060	30"	60"	29"	32.69"	18.32"	10.90"	3.08"	27.84"	N/A
TJEAT3066	30"	66"	29"	38.69"	18.32"	10.90"	3.08"	27.84"	N/A
TJEAT3072	30"	72"	29"	44.69"	18.32"	10.90"	3.08"	27.84"	N/A
TJEAT3084	30"	84"	29"	56.69"	18.32"	10.90"	3.08"	27.84"	N/A
TJEAT3660	36"	60"	29"	32.69"	24.32"	10.90"	3.08"	27.84"	N/A
TJEAT3666	36"	66"	29"	38.69"	24.32"	10.90"	3.08"	27.84"	N/A
TJEAT3672	36"	72"	29"	44.69"	24.32"	10.90"	3.08"	27.84"	N/A
TJEAT3684	36"	84"	29"	56.69"	24.32"	10.90"	3.08"	27.84"	N/A
TJEAT4260	42"	60"	29"	32.69"	30.32"	10.90"	3.08"	27.84"	N/A
TJEAT4266	42"	66"	29"	38.69"	30.32"	10.90"	3.08"	27.84"	N/A
TJEAT4272	42"	72"	29"	44.69"	30.32"	10.90"	3.08"	27.84"	N/A
TJEAT4284	42"	84"	29"	56.69"	30.32"	10.90"	3.08"	27.84"	27.59"
TJEAT4860	48"	60"	29"	32.69"	36.32"	10.90"	3.08"	27.84"	N/A
TJEAT4866	48"	66"	29"	38.69"	36.32"	10.90"	3.08"	27.84"	N/A
TJEAT4872	48"	72"	29"	44.69"	36.32"	10.90"	3.08"	27.84"	N/A
TJEAT4884	48"	84"	29"	56.69"	36.32"	10.90"	3.08"	27.84"	27.59"

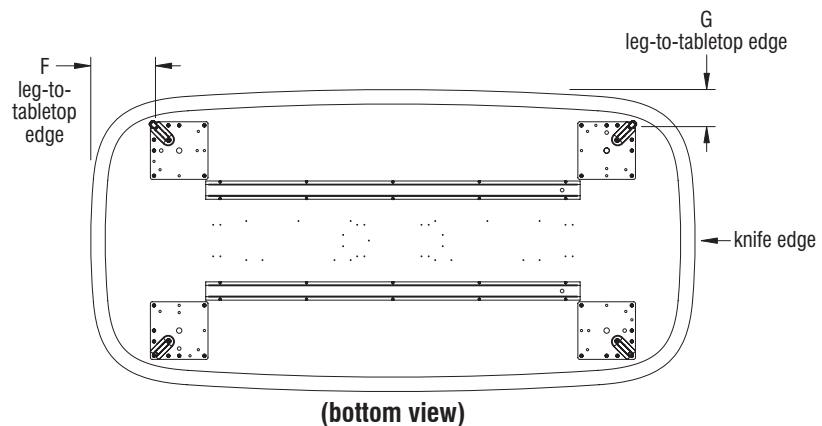
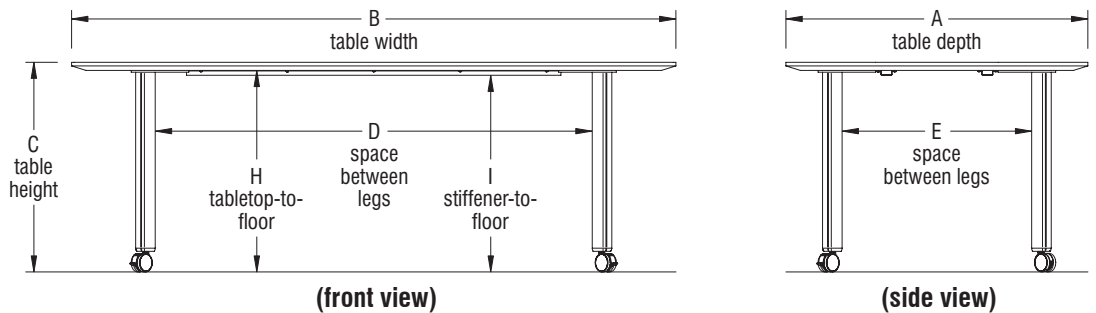
(model TJEAT4284/74P shown below)



**DIMENSIONS
 (cont.)**

Fixed-Height Tributaire Boat Post-Leg Tables (4-legs) (KN Edge)									
Model Number	A Table Depth	B Table Width	C Table Height	D Space Between Legs	E Space Between Legs	F Leg-to-Table Edge	G Leg-to-Tabletop Edge	H Tabletop-to-Floor	I Stiffener-to-Floor
TJEAT3060-KN	30"	60"	29"	36.69"	14.32"	8.90"	5.08"	27.84"	N/A
TJEAT3066-KN	30"	66"	29"	42.69"	14.32"	8.90"	5.08"	27.84"	N/A
TJEAT3072-KN	30"	72"	29"	48.69"	14.32"	8.90"	5.08"	27.84"	N/A
TJEAT3084-KN	30"	84"	29"	60.69"	14.32"	8.90"	5.08"	27.84"	N/A
TJEAT3660-KN	36"	60"	29"	36.69"	20.32"	8.90"	5.08"	27.84"	N/A
TJEAT3666-KN	36"	66"	29"	42.69"	20.32"	8.90"	5.08"	27.84"	N/A
TJEAT3672-KN	36"	72"	29"	48.69"	20.32"	8.90"	5.08"	27.84"	N/A
TJEAT3684-KN	36"	84"	29"	60.69"	20.32"	8.90"	5.08"	27.84"	N/A
TJEAT4260-KN	42"	60"	29"	36.69"	26.32"	8.90"	5.08"	27.84"	N/A
TJEAT4266-KN	42"	66"	29"	42.69"	26.32"	8.90"	5.08"	27.84"	N/A
TJEAT4272-KN	42"	72"	29"	48.69"	26.32"	8.90"	5.08"	27.84"	N/A
TJEAT4284-KN	42"	84"	29"	60.69"	26.32"	8.90"	5.08"	27.84"	27.59"
TJEAT4860-KN	48"	60"	29"	36.69"	32.32"	8.90"	5.08"	27.84"	N/A
TJEAT4866-KN	48"	66"	29"	42.69"	32.32"	8.90"	5.08"	27.84"	N/A
TJEAT4872-KN	48"	72"	29"	48.69"	32.32"	8.90"	5.08"	27.84"	N/A
TJEAT4884-KN	48"	84"	29"	60.69"	32.32"	8.90"	5.08"	27.84"	27.59"

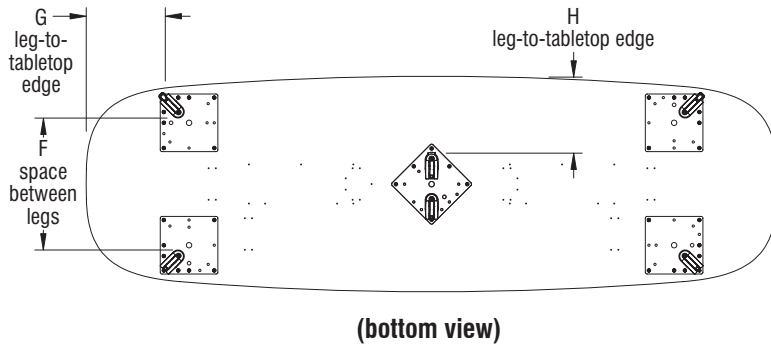
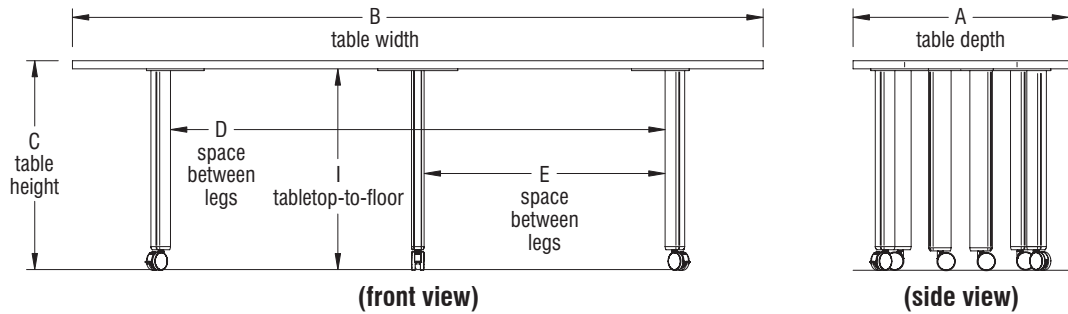
(model TJEAT4284/KN shown below)



DIMENSIONS
 (cont.)

Fixed-Height Tributaire Boat Post-Leg Tables (6-legs) (74P edge)									
Model Number	A Table Depth	B Table Width	C Table Height	D Space Between Legs	E Space Between Legs	F Space Between Legs	G Leg-to-Tabletop Edge	H Leg-to-Tabletop Edge	I Tabletop-to-Floor
TJEAT3096	30"	96"	29"	68.69"	33 ⁷ / ₁₆ "	18.32"	10.90"	12.24"	27.84"
TJEAT3696	36"	96"	29"	68.69"	33 ⁷ / ₁₆ "	24.32"	10.90"	15.24"	27.84"
TJEAT4296	42"	96"	29"	68.69"	33 ⁷ / ₁₆ "	30.32"	10.90"	18.24"	27.84"
TJEAT4896	48"	96"	29"	68.69"	N/A	36.32"	10.90"	13.93"	27.84"

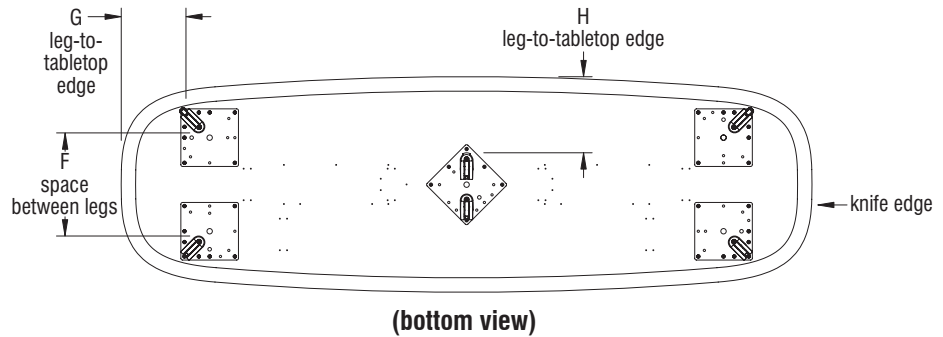
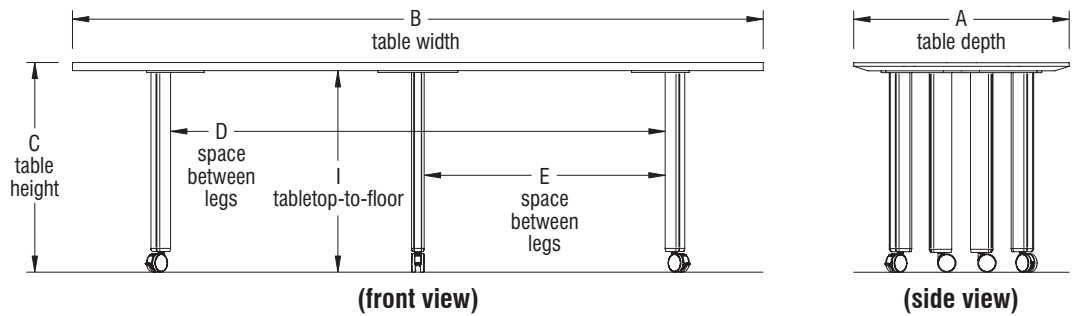
(model TJEAT3096/74P shown below)



**DIMENSIONS
 (cont.)**

Fixed-Height Tributaire Boat Post-Leg Tables (6-legs) (KN edge)									
Model Number	A Table Depth	B Table Width	C Table Height	D Space Between Legs	E Space Between Legs	F Space Between Legs	G Leg-to-Tabletop Edge	H Leg-to-Tabletop Edge	I Tabletop-to-Floor
TJEAT3096-KN	30"	96"	29"	72.69"	35.47"	14.32"	8.89"	12.24"	27.84"
TJEAT3696-KN	36"	96"	29"	72.69"	35.47"	20.32"	8.89"	15.24"	27.84"
TJEAT4296-KN	42"	96"	29"	72.69"	35.47"	26.32"	8.89"	18.24"	27.84"
TJEAT4896-KN	48"	96"	29"	72.69"	35.47"	32.32"	8.89"	13.93"	27.84"

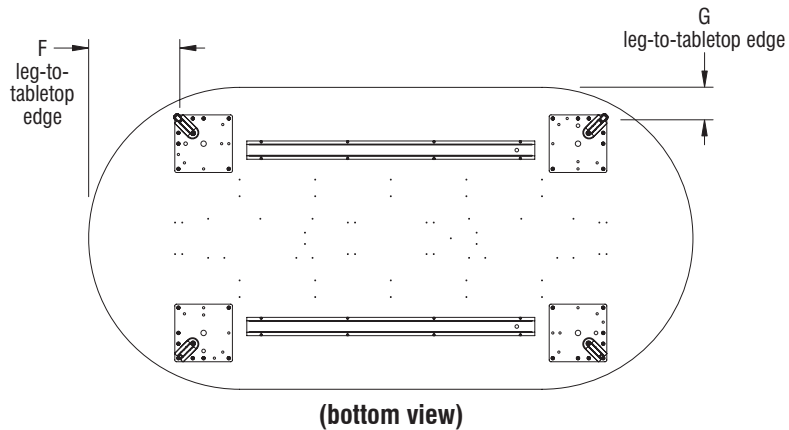
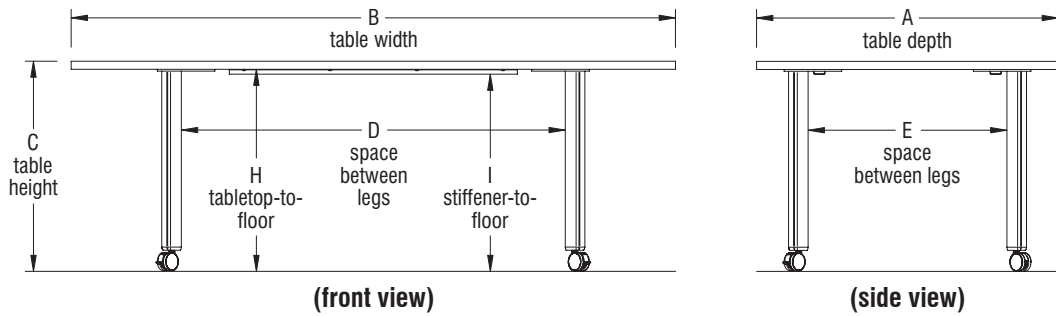
(model TJEAT3096/KN shown below)



DIMENSIONS
 (cont.)

Fixed-Height Tributaire Pill Post-Leg Tables (4-legs) (74P edge)									
Model Number	A Table Depth	B Table Width	C Table Height	D Space Between Legs	E Space Between Legs	F Leg-to-Table Edge	G Leg-to-Tabletop Edge	H Tabletop-to-Floor	I Stiffener-to-Floor
TJEAV3060	30"	60"	29"	32.82"	19.75"	11.83"	2.36"	28.05"	N/A
TJEAV3066	30"	66"	29"	36.82"	19.75"	11.83"	2.36"	28.05"	N/A
TJEAV3072	30"	72"	29"	42.82"	19.75"	11.83"	2.36"	28.05"	N/A
TJEAV3084	30"	84"	29"	54.82"	19.75"	11.83"	2.36"	28.05"	26.09"
TJEAV3660	36"	60"	29"	29.95"	23.92"	12.27"	3.28"	28.05"	N/A
TJEAV3666	36"	66"	29"	35.95"	23.92"	12.27"	3.28"	28.05"	N/A
TJEAV3672	36"	72"	29"	41.95"	23.92"	12.27"	3.28"	28.05"	N/A
TJEAV3684	36"	84"	29"	53.95"	23.92"	12.27"	3.28"	28.05"	26.09"
TJEAV4260	42"	60"	29"	28.86"	27.61"	12.58"	4.44"	28.05"	N/A
TJEAV4266	42"	66"	29"	35.32"	27.61"	12.58"	4.44"	28.05"	N/A
TJEAV4272	42"	72"	29"	41.32"	27.61"	12.58"	4.44"	28.05"	N/A
TJEAV4284	42"	84"	29"	53.32"	27.61"	12.58"	4.44"	28.05"	26.09"
TJEAV4860	48"	60"	29"	28.86"	30.96"	12.82"	5.76"	28.05"	N/A
TJEAV4866	48"	66"	29"	34.86"	30.96"	12.82"	5.76"	28.05"	N/A
TJEAV4872	48"	72"	29"	40.86"	30.96"	12.82"	5.76"	28.05"	N/A
TJEAV4884	48"	84"	29"	52.86"	30.96"	12.82"	5.76"	28.05"	26.09"

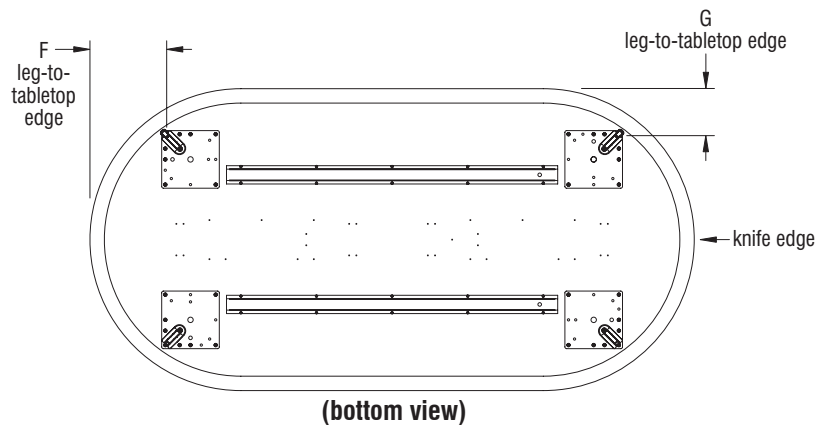
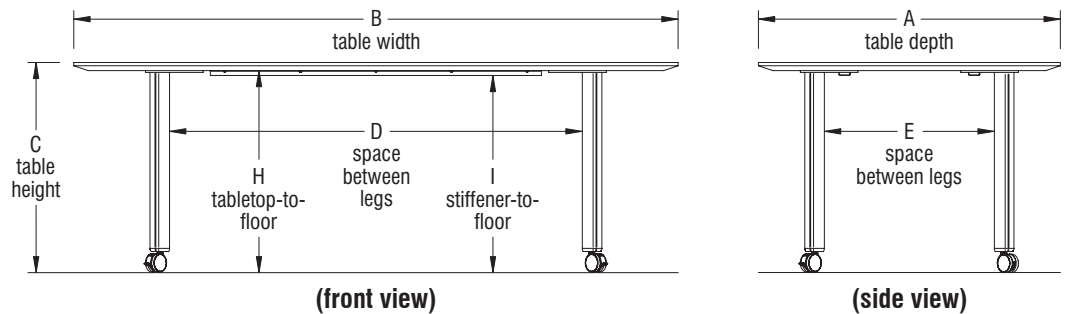
(model TJEAV4284/74P shown below)



**DIMENSIONS
 (cont.)**

Fixed-Height Tributaire Pill Post-Leg Tables (4-legs) (KN edge)									
Model Number	A Table Depth	B Table Width	C Table Height	D Space Between Legs	E Space Between Legs	F Leg-to-Table Edge	G Leg-to-Tabletop Edge	H Tabletop-to-Floor	I Stiffener-to-Floor
TJEAV3060-KN	30"	60"	29"	34.82"	15.75"	9.83"	4.36"	28.05"	N/A
TJEAV3066-KN	30"	66"	29"	40.82"	15.75"	9.83"	4.36"	28.05"	N/A
TJEAV3072-KN	30"	72"	29"	46.82"	15.75"	9.83"	4.36"	28.05"	N/A
TJEAV3084-KN	30"	84"	29"	54.82"	15.75"	9.83"	4.36"	28.05"	26.09"
TJEAV3660-KN	36"	60"	29"	33.95"	19.92"	10.27"	5.28"	28.05"	N/A
TJEAV3666-KN	36"	66"	29"	39.95"	19.92"	10.27"	5.28"	28.05"	N/A
TJEAV3672-KN	36"	72"	29"	41.95"	19.92"	10.27"	5.28"	28.05"	N/A
TJEAV3684-KN	36"	84"	29"	45.95"	19.92"	10.27"	5.28"	28.05"	26.09"
TJEAV4260-KN	42"	60"	29"	28.86"	23.61"	10.58"	6.44"	28.05"	N/A
TJEAV4266-KN	42"	66"	29"	33.32"	23.61"	10.58"	6.44"	28.05"	N/A
TJEAV4272-KN	42"	72"	29"	41.32"	23.61"	10.58"	6.44"	28.05"	N/A
TJEAV4284-KN	42"	84"	29"	45.32"	23.61"	10.58"	6.44"	28.05"	26.09"
TJEAV4860-KN	48"	60"	29"	32.86"	26.96"	10.82"	7.76"	28.05"	N/A
TJEAV4866-KN	48"	66"	29"	38.86"	26.96"	10.82"	7.76"	28.05"	N/A
TJEAV4872-KN	48"	72"	29"	44.86"	26.96"	10.82"	7.76"	28.05"	N/A
TJEAV4884-KN	48"	84"	29"	56.86"	26.96"	10.82"	7.76"	28.05"	26.09"

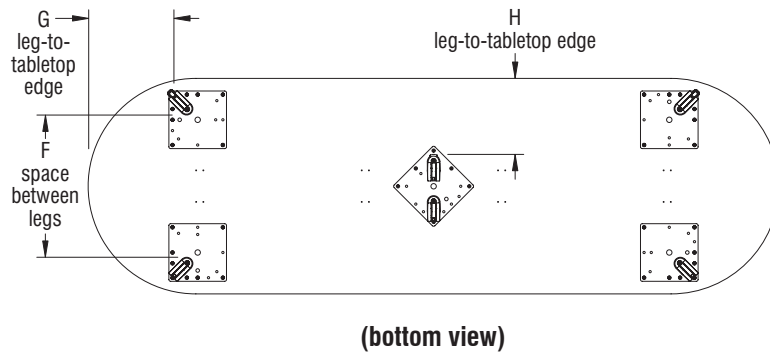
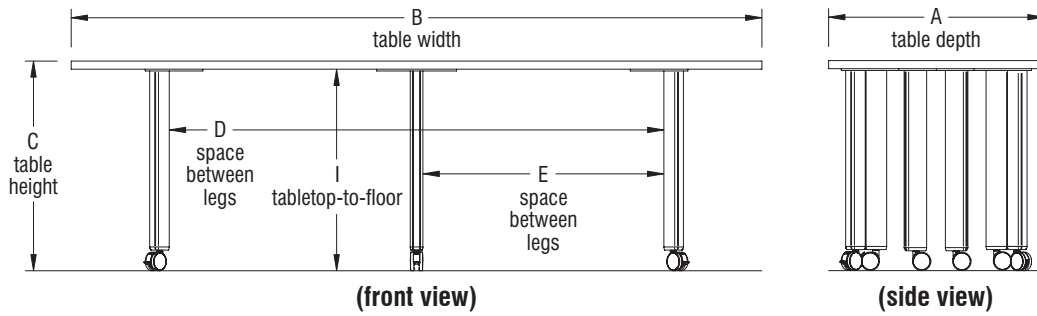
(model TJEAV4284/KN shown below)



DIMENSIONS
 (cont.)

Fixed-Height Tributaire Pill Post-Leg Tables (6-legs) (74P edge)									
Model Number	A Table Depth	B Table Width	C Table Height	D Space Between Legs	E Space Between Legs	F Space Between Legs	G Leg-to-Tabletop Edge	H Leg-to-Tabletop Edge	I Tabletop-to-Floor
TJEAV3096	30"	96"	29"	66.82"	32.53"	19.75"	11.83"	12.24"	27.84"
TJEAV3696	36"	96"	29"	65.95"	32.53"	23.92"	12.27"	15.24"	27.84"
TJEAV4296	42"	96"	29"	65.32"	32.53"	27.61"	12.58"	18.24"	27.84"
TJEAV4896	48"	96"	29"	64.86"	32.53"	30.96"	12.82"	13.93"	27.84"

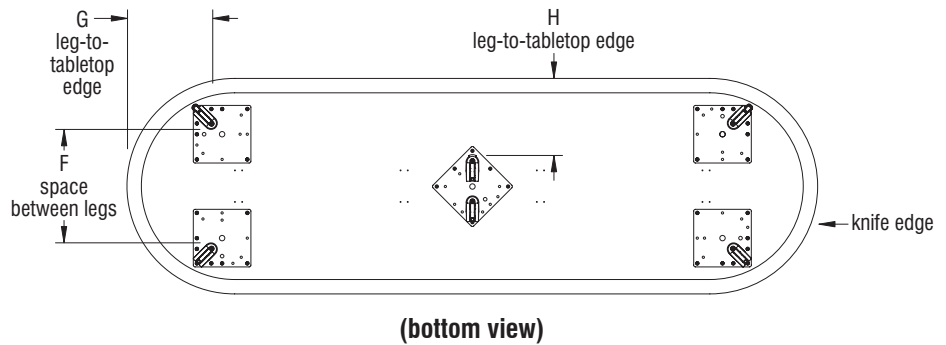
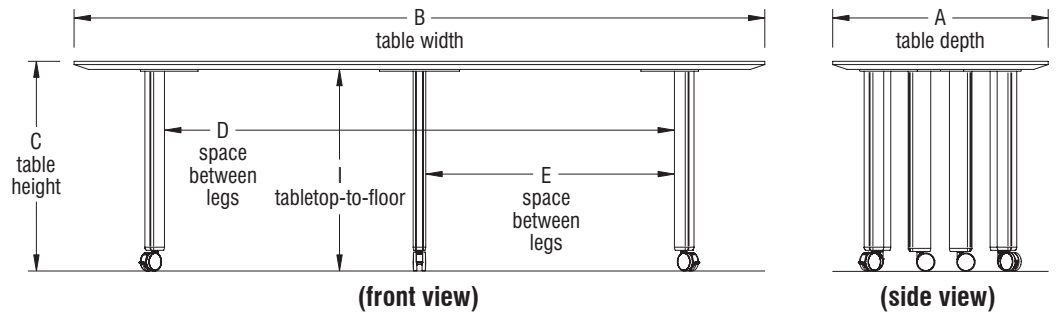
(model TJEAV3096/74P shown below)



**DIMENSIONS
 (cont.)**

Fixed-Height Tributaire Pill Post-Leg Tables (6-legs) (KN edge)									
Model Number	A Table Depth	B Table Width	C Table Height	D Space Between Legs	E Space Between Legs	F Space Between Legs	G Leg-to-Table Edge	H Leg-to-Table Edge	I Tabletop-to-Floor
TJEAV3096-KN	30"	96"	29"	70.82"	34.53"	15.75"	9.83"	12.24"	27.84"
TJEAV3696-KN	36"	96"	29"	69.95"	34.10"	19.92"	10.27"	15.24"	27.84"
TJEAV4296-KN	42"	96"	29"	69.32"	33.78"	23.61"	10.58"	18.24"	27.84"
TJEAV4896-KN	48"	96"	29"	68.86"	33.55"	26.96"	10.81"	13.93"	27.84"

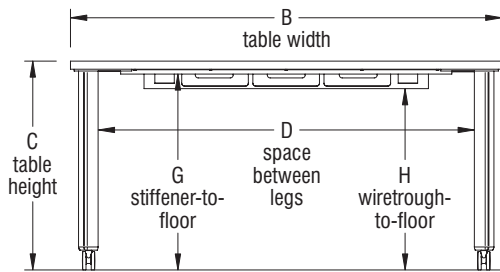
(model TJEAV3096/KN shown below)



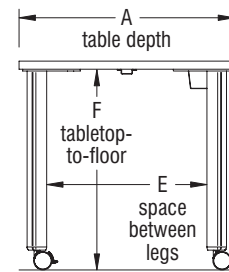
DIMENSIONS
 (cont.)

29" Fixed-Height Tributaire Single-Circuit Rectangular Post-Leg Tables (4-legs) (74P edge)								
Model Number	A Table Depth	B Table Width	C Table Height	D Space Between Legs	E Space Between Legs	F Tabletop-to-Floor	G Stiffener-to-Floor	H Wiretrough-to-Floor
TJKAA2436	24"	36"	29"	28.25"	16.25"	27.87"	27.20"	25.18"
TJKAA2442	24"	42"	29"	34.25"	16.25"	27.87"	27.20"	25.18"
TJKAA2448	24"	48"	29"	40.25"	16.25"	27.87"	27.20"	25.18"
TJKAA2454	24"	54"	29"	46.25"	16.25"	27.87"	27.20"	25.18"
TJKAA2460	24"	60"	29"	52.25"	16.25"	27.87"	27.20"	25.18"
TJKAA2466	24"	66"	29"	58.25"	16.25"	27.87"	27.20"	25.18"
TJKAA2472	24"	72"	29"	64.25"	16.25"	27.87"	27.20"	25.18"
TJKAA3036	30"	36"	29"	28.25"	22.25"	27.87"	27.20"	25.18"
TJKAA3042	30"	42"	29"	34.25"	22.25"	27.87"	27.20"	25.18"
TJKAA3048	30"	48"	29"	40.25"	22.25"	27.87"	27.20"	25.18"
TJKAA3054	30"	54"	29"	46.25"	22.25"	27.87"	27.20"	25.18"
TJKAA3060	30"	60"	29"	52.25"	22.25"	27.87"	27.20"	25.18"
TJKAA3066	30"	66"	29"	58.25"	22.25"	27.87"	27.20"	25.18"
TJKAA3072	30"	72"	29"	64.25"	22.25"	27.87"	27.20"	25.18"
TJKAA3642	36"	42"	29"	34.25"	28.25"	27.87"	27.20"	25.18"
TJKAA3648	36"	48"	29"	40.25"	28.25"	27.87"	27.20"	25.18"
TJKAA3654	36"	54"	29"	46.25"	28.25"	27.87"	27.20"	25.18"
TJKAA3660	36"	60"	29"	52.25"	28.25"	27.87"	27.20"	25.18"
TJKAA3666	36"	66"	29"	58.25"	28.25"	27.87"	27.20"	25.18"
TJKAA3672	36"	72"	29"	64.25"	28.25"	27.87"	27.20"	25.18"
TJKAA4272	42"	72"	29"	64.25"	34.25"	27.87"	27.20"	25.18"
TJKAA4872	48"	72"	29"	64.25"	40.25"	27.87"	27.20"	25.18"

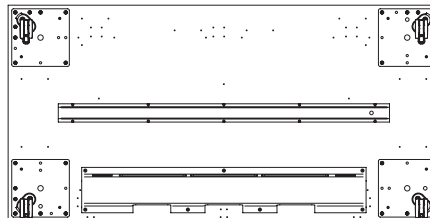
(model TJKAA3060/74P shown below)



(front view)



(side view)

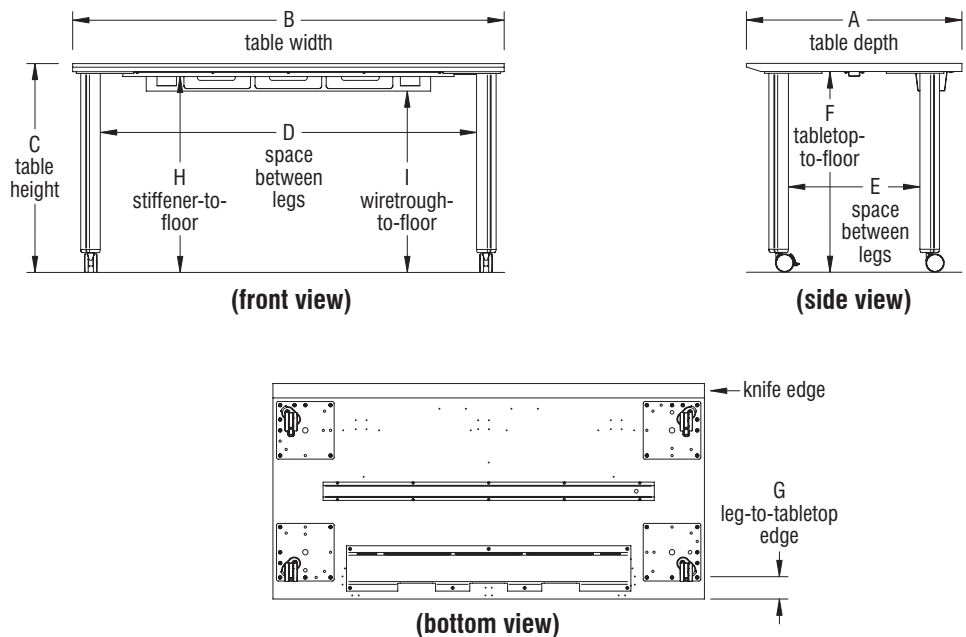


(bottom view)

DIMENSIONS
 (cont.)

29" Fixed-Height Tributaire Single-Circuit Rectangular Post-Leg Tables (4-legs) (KN edge)									
Model Number	A Table Depth	B Table Width	C Table Height	D Space Between Legs	E Space Between Legs	F Tabletop-to-Floor	G Leg-to-Tabletop Edge	H Stiffener-to-Floor	I Wiretrough-to-Floor
TJKAA2436-KN	24"	36"	29"	28.25"	12.25"	27.87"	3.11"	27.20"	25.18"
TJKAA2442-KN	24"	42"	29"	34.25"	12.25"	27.87"	3.11"	27.20"	25.18"
TJKAA2448-KN	24"	48"	29"	40.25"	12.25"	27.87"	3.11"	27.20"	25.18"
TJKAA2454-KN	24"	54"	29"	46.25"	12.25"	27.87"	3.11"	27.20"	25.18"
TJKAA2460-KN	24"	60"	29"	52.25"	12.25"	27.87"	3.11"	27.20"	25.18"
TJKAA2466-KN	24"	66"	29"	58.25"	12.25"	27.87"	3.11"	27.20"	25.18"
TJKAA2472-KN	24"	72"	29"	64.25"	12.25"	27.87"	3.11"	27.20"	25.18"
TJKAA3036-KN	30"	36"	29"	28.25"	18.25"	27.87"	3.11"	27.20"	25.18"
TJKAA3042-KN	30"	42"	29"	34.25"	18.25"	27.87"	3.11"	27.20"	25.18"
TJKAA3048-KN	30"	48"	29"	40.25"	18.25"	27.87"	3.11"	27.20"	25.18"
TJKAA3054-KN	30"	54"	29"	46.25"	18.25"	27.87"	3.11"	27.20"	25.18"
TJKAA3060-KN	30"	60"	29"	52.25"	18.25"	27.87"	3.11"	27.20"	25.18"
TJKAA3066-KN	30"	66"	29"	58.25"	18.25"	27.87"	3.11"	27.20"	25.18"
TJKAA3072-KN	30"	72"	29"	64.25"	18.25"	27.87"	3.11"	27.20"	25.18"
TJKAA3642-KN	36"	42"	29"	34.25"	24.25"	27.87"	3.11"	27.20"	25.18"
TJKAA3648-KN	36"	48"	29"	40.25"	24.25"	27.87"	3.11"	27.20"	25.18"
TJKAA3654-KN	36"	54"	29"	46.25"	24.25"	27.87"	3.11"	27.20"	25.18"
TJKAA3660-KN	36"	60"	29"	52.25"	24.25"	27.87"	3.11"	27.20"	25.18"
TJKAA3666-KN	36"	66"	29"	58.25"	24.25"	27.87"	3.11"	27.20"	25.18"
TJKAA3672-KN	36"	72"	29"	64.25"	24.25"	27.87"	3.11"	27.20"	25.18"
TJKAA4272-KN	42"	72"	29"	60.25"	30.25"	27.87"	3.11"	27.20"	25.18"
TJKAA4872-KN	48"	72"	29"	60.25"	36.25"	27.87"	3.11"	27.20"	25.18"

(model TJKAA3060/KN shown below)

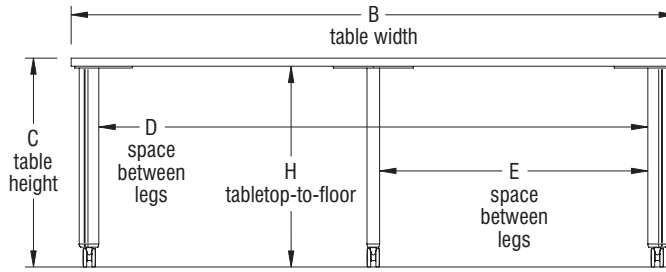


DIMENSIONS
 (cont.)

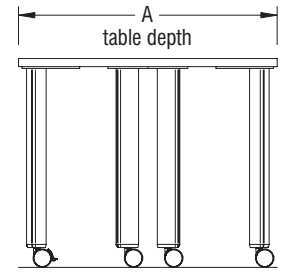
29" Fixed-Height Tributaire Single-Circuit Rectangular Post-Leg Tables (6-legs) (74P edge)

Model Number	A Table Depth	B Table Width	C Table Height	D Space Between Legs	E Space Between Legs	F Space Between Legs	G Leg-to-Tabletop Edge	H Tabletop-to-Floor
TJKAA3684	36"	84"	29"	76.25"	37.25"	28.25"	13.54"	27.87"
TJKAA3696	36"	96"	29"	88.25"	43.25"	28.25"	13.54"	27.87"
TJKAA4284	42"	84"	29"	76.25"	37.25"	34.25"	16.54"	27.87"
TJKAA4296	42"	96"	29"	88.25"	43.25"	34.25"	16.54"	27.87"
TJKAA4884	48"	84"	29"	76.25"	37.25"	40.25"	13.78"	27.87"
TJKAA4896	48"	96"	29"	88.25"	43.25"	40.25"	13.78"	27.87"

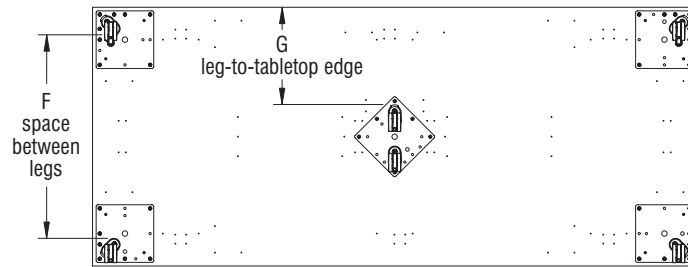
(model TJKAA3684/74P shown below)



(front view)



(side view)

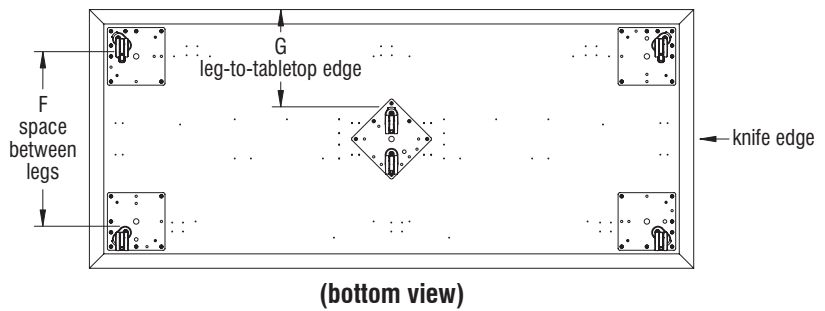
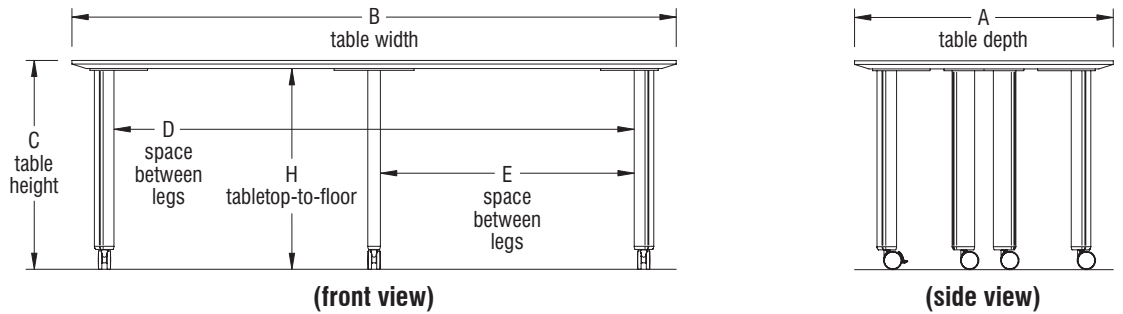


(bottom view)

DIMENSIONS
 (cont.)

29" Fixed-Height Tributaire Single-Circuit Rectangular Post-Leg Tables (6-legs) (KN edge)								
Model Number	A Table Depth	B Table Width	C Table Height	D Space Between Legs	E Space Between Legs	F Space Between Legs	G Leg-to-Tabletop Edge	H Tabletop-to-Floor
TJKAA3684-KN	36"	84"	29"	76.25"	35.25"	24.25"	13.54"	27.20"
TJKAA3696-KN	36"	96"	29"	84.25"	41.25"	24.25"	13.54"	27.20"
TJKAA4284-KN	42"	84"	29"	76.25"	35.25"	30.25"	16.54"	27.20"
TJKAA4296-KN	42"	96"	29"	84.25"	41.25"	30.25"	16.54"	27.20"
TJKAA4884-KN	48"	84"	29"	76.25"	35.25"	36.25"	13.78"	27.20"
TJKAA4896-KN	48"	96"	29"	84.25"	41.25"	36.25"	13.78"	27.20"

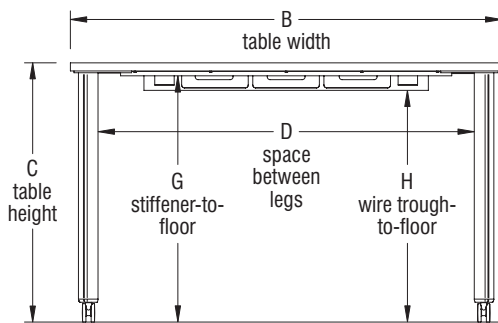
(model TJKAA3684/KN shown below)



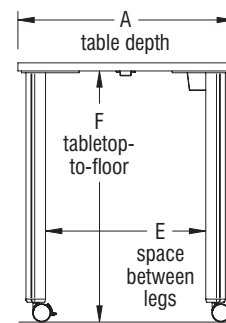
DIMENSIONS
 (cont.)

36" Fixed-Height Tributaire Single-Circuit Rectangular Post-Leg Tables (4-legs) (74P edge)								
Model Number	A Table Depth	B Table Width	C Table Height	D Space Between Legs	E Space Between Legs	F Tabletop-to-Floor	G Stiffener-to-Floor	H Wire Trough-to-Floor
TJKBA2436	24"	36"	36"	28.25"	12.25"	34.87"	34.20"	32.18"
TJKBA2442	24"	42"	36"	34.25"	12.25"	34.87"	34.20"	32.18"
TJKBA2448	24"	48"	36"	40.25"	12.25"	34.87"	34.20"	32.18"
TJKBA2454	24"	54"	36"	46.25"	12.25"	34.87"	34.20"	32.18"
TJKBA2460	24"	60"	36"	52.25"	12.25"	34.87"	34.20"	32.18"
TJKBA2466	24"	66"	36"	58.25"	12.25"	34.87"	34.20"	32.18"
TJKBA2472	24"	72"	36"	64.25"	12.25"	34.87"	34.20"	32.18"
TJKBA3036	30"	36"	36"	28.25"	18.25"	34.87"	34.20"	32.18"
TJKBA3042	30"	42"	36"	34.25"	18.25"	34.87"	34.20"	32.18"
TJKBA3048	30"	48"	36"	40.25"	18.25"	34.87"	34.20"	32.18"
TJKBA3054	30"	54"	36"	46.25"	18.25"	34.87"	34.20"	32.18"
TJKBA3060	30"	60"	36"	52.25"	18.25"	34.87"	34.20"	32.18"
TJKBA3066	30"	66"	36"	58.25"	18.25"	34.87"	34.20"	32.18"
TJKBA3072	30"	72"	36"	64.25"	18.25"	34.87"	34.20"	32.18"
TJKBA3642	36"	42"	36"	34.25"	24.25"	34.87"	34.20"	32.18"
TJKBA3648	36"	48"	36"	40.25"	24.25"	34.87"	34.20"	32.18"
TJKBA3654	36"	54"	36"	46.25"	24.25"	34.87"	34.20"	32.18"
TJKBA3660	36"	60"	36"	52.25"	24.25"	34.87"	34.20"	32.18"
TJKBA3666	36"	66"	36"	58.25"	24.25"	34.87"	34.20"	32.18"
TJKBA3672	36"	72"	36"	64.25"	24.25"	34.87"	34.20"	32.18"

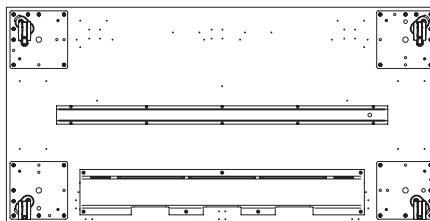
(model TJKBA3060/74P shown below)



(front view)



(side view)

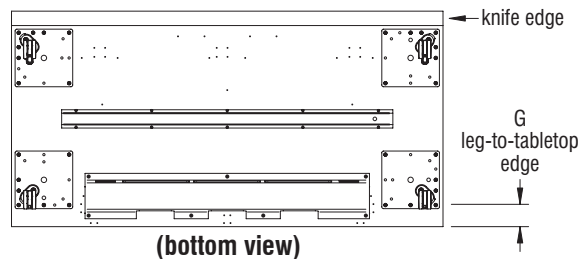
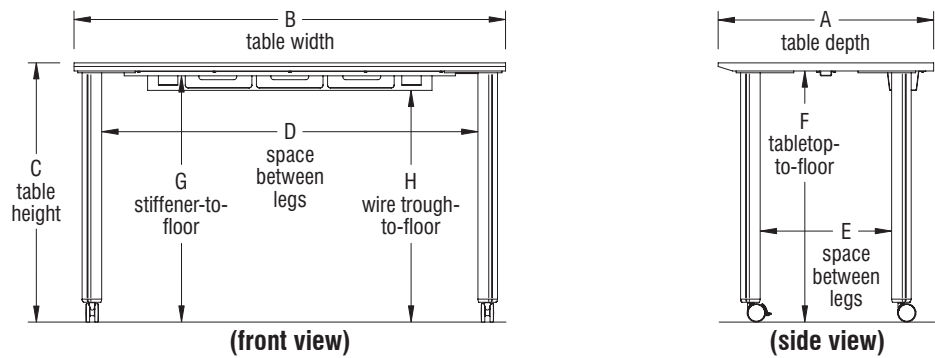


(bottom view)

**DIMENSIONS
 (cont.)**

36" Fixed-Height Tributaire Single-Circuit Rectangular Post-Leg Tables (4-legs) (KN edge)									
Model Number	A Table Depth	B Table Width	C Table Height	D Space Between Legs	E Space Between Legs	F Tabletop-to-Floor	G Leg-to-Tabletop Edge	H Stiffener-to-Floor	I Wire Trough-to-Floor
TJKBA2436-KN	24"	36"	36"	28.25"	12.25"	34.87"	3.11"	34.20"	32.18"
TJKBA2442-KN	24"	42"	36"	34.25"	12.25"	34.87"	3.11"	34.20"	32.18"
TJKBA2448-KN	24"	48"	36"	40.25"	12.25"	34.87"	3.11"	34.20"	32.18"
TJKBA2454-KN	24"	54"	36"	46.25"	12.25"	34.87"	3.11"	34.20"	32.18"
TJKBA2460-KN	24"	60"	36"	52.25"	12.25"	34.87"	3.11"	34.20"	32.18"
TJKBA2466-KN	24"	66"	36"	58.25"	12.25"	34.87"	3.11"	34.20"	32.18"
TJKBA2472-KN	24"	72"	36"	64.25"	12.25"	34.87"	3.11"	34.20"	32.18"
TJKBA3036-KN	30"	36"	36"	28.25"	18.25"	34.87"	3.11"	34.20"	32.18"
TJKBA3042-KN	30"	42"	36"	34.25"	18.25"	34.87"	3.11"	34.20"	32.18"
TJKBA3048-KN	30"	48"	36"	40.25"	18.25"	34.87"	3.11"	34.20"	32.18"
TJKBA3054-KN	30"	54"	36"	46.25"	18.25"	34.87"	3.11"	34.20"	32.18"
TJKBA3060-KN	30"	60"	36"	52.25"	18.25"	34.87"	3.11"	34.20"	32.18"
TJKBA3066-KN	30"	66"	36"	58.25"	18.25"	34.87"	3.11"	34.20"	32.18"
TJKBA3072-KN	30"	72"	36"	64.25"	18.25"	34.87"	3.11"	34.20"	32.18"
TJKBA3642-KN	36"	42"	36"	34.25"	24.25"	34.87"	3.11"	34.20"	32.18"
TJKBA3648-KN	36"	48"	36"	40.25"	24.25"	34.87"	3.11"	34.20"	32.18"
TJKBA3654-KN	36"	54"	36"	46.25"	24.25"	34.87"	3.11"	34.20"	32.18"
TJKBA3660-KN	36"	60"	36"	52.25"	24.25"	34.87"	3.11"	34.20"	32.18"
TJKBA3666-KN	36"	66"	36"	58.25"	24.25"	34.87"	3.11"	34.20"	32.18"
TJKBA3672-KN	36"	72"	36"	64.25"	24.25"	34.87"	3.11"	34.20"	32.18"

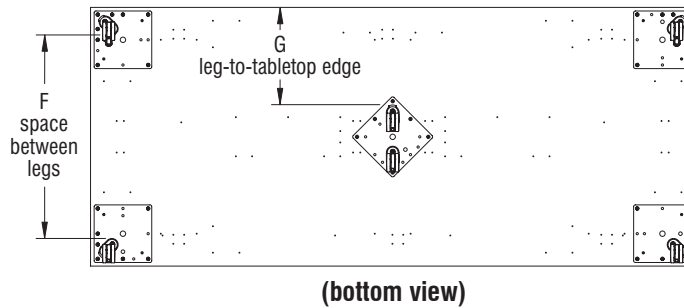
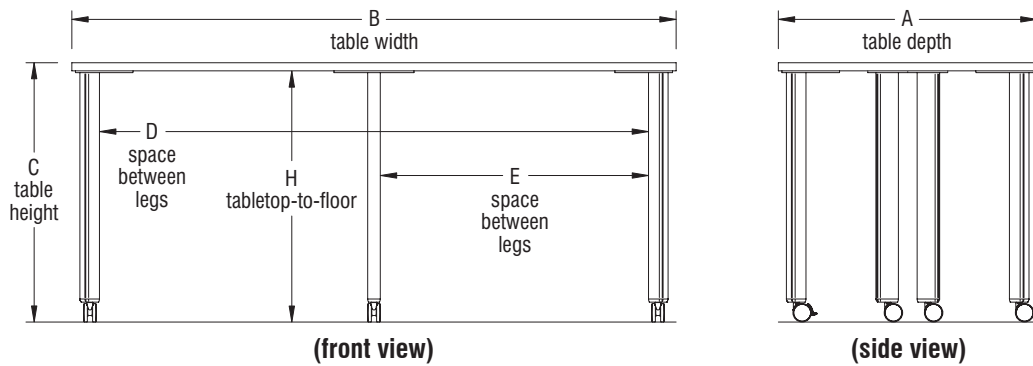
(model TJKBA3060/KN shown below)



DIMENSIONS
 (cont.)

36" Fixed-Height Tributaire Rectangular Single-Circuit Post-Leg Tables (6-legs) (74P edge)								
Model Number	A Table Depth	B Table Width	C Table Height	D Space Between Legs	E Space Between Legs	F Space Between Legs	G Leg-to-Tabletop Edge	H Tabletop-to-Floor
TJKBA3684	36"	84"	36"	76.25"	37.25"	28.25"	13.54"	34.87"
TJKBA3696	36"	96"	36"	88.25"	43.25"	28.25"	13.54"	34.87"

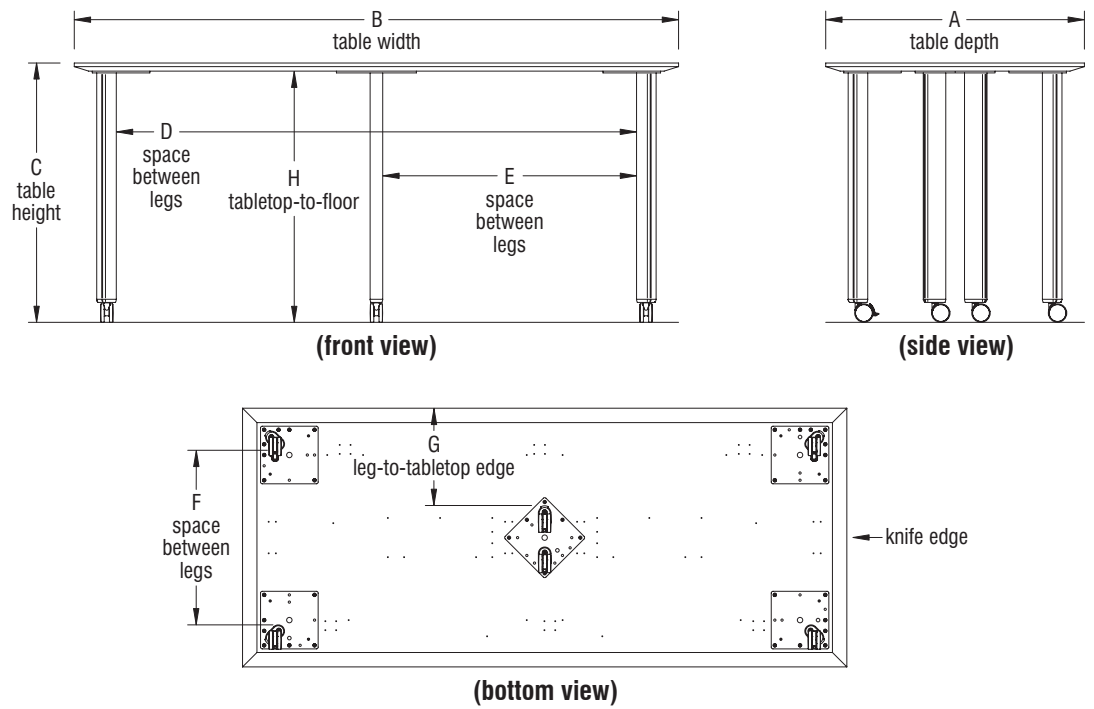
(model TJKBA3684/74P shown below)



**DIMENSIONS
 (cont.)**

36" Fixed-Height Tributaire Rectangular Single-Circuit Post-Leg Tables (6-legs) (KN edge)								
Model Number	A Table Depth	B Table Width	C Table Height	D Space Between Legs	E Space Between Legs	F Space Between Legs	G Leg-to-Tabletop Edge	H Tabletop-to-Floor
TJKBA3684-KN	36"	84"	36"	52.25"	35.25"	24.25"	13.54"	34.87"
TJKBA3696-KN	36"	96"	36"	84.25"	41.25"	24.25"	13.54"	34.87"

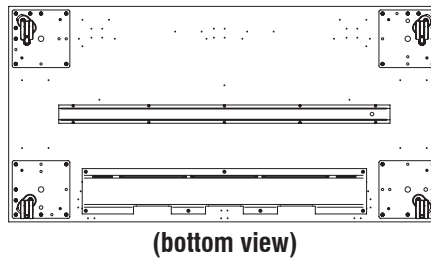
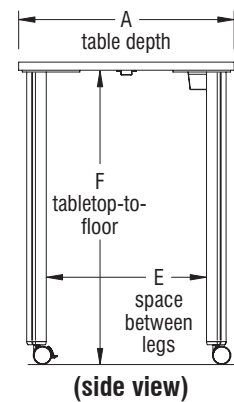
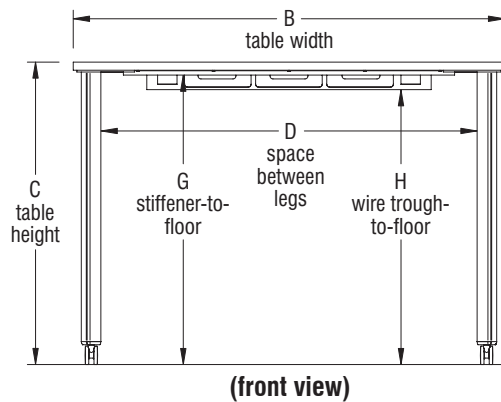
(model TJKBA3684/KN shown below)



DIMENSIONS
 (cont.)

42" Fixed-Height Tributaire Rectangular Single-Circuit Post-Leg Tables (4-legs) (74P edge)								
Model Number	A Table Depth	B Table Width	C Table Height	D Space Between Legs	E Space Between Legs	F Tabletop-to-Floor	G Stiffener-to-Floor	H Wire Trough-to-Floor
TJKCA2436	24"	36"	42"	28.25"	16.25"	40.87"	40.20"	38.18"
TJKCA2442	24"	42"	42"	34.25"	16.25"	40.87"	40.20"	38.18"
TJKCA2448	24"	48"	42"	40.25"	16.25"	40.87"	40.20"	38.18"
TJKCA2454	24"	54"	42"	46.25"	16.25"	40.87"	40.20"	38.18"
TJKCA2460	24"	60"	42"	52.25"	16.25"	40.87"	40.20"	38.18"
TJKCA2466	24"	66"	42"	58.25"	16.25"	40.87"	40.20"	38.18"
TJKCA2472	24"	72"	42"	64.25"	16.25"	40.87"	40.20"	38.18"
TJKCA3036	30"	36"	42"	28.25"	22.25"	40.87"	40.20"	38.18"
TJKCA3042	30"	42"	42"	34.25"	22.25"	40.87"	40.20"	38.18"
TJKCA3048	30"	48"	42"	40.25"	22.25"	40.87"	40.20"	38.18"
TJKCA3054	30"	54"	42"	46.25"	22.25"	40.87"	40.20"	38.18"
TJKCA3060	30"	60"	42"	52.25"	22.25"	40.87"	40.20"	38.18"
TJKCA3066	30"	66"	42"	58.25"	22.25"	40.87"	40.20"	38.18"
TJKCA3072	30"	72"	42"	64.25"	22.25"	40.87"	40.20"	38.18"
TJKCA3642	36"	42"	42"	34.25"	28.25"	40.87"	40.20"	38.18"
TJKCA3648	36"	48"	42"	40.25"	28.25"	40.87"	40.20"	38.18"
TJKCA3654	36"	54"	42"	46.25"	28.25"	40.87"	40.20"	38.18"
TJKCA3660	36"	60"	42"	52.25"	28.25"	40.87"	40.20"	38.18"
TJKCA3666	36"	66"	42"	58.25"	28.25"	40.87"	40.20"	38.18"
TJKCA3672	36"	72"	42"	64.25"	28.25"	40.87"	40.20"	38.18"

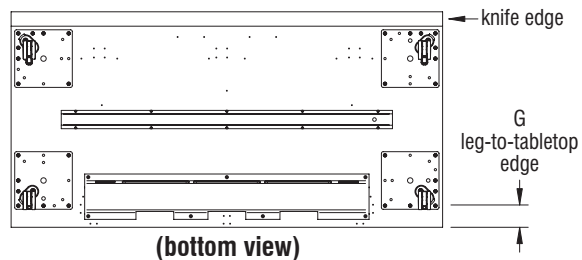
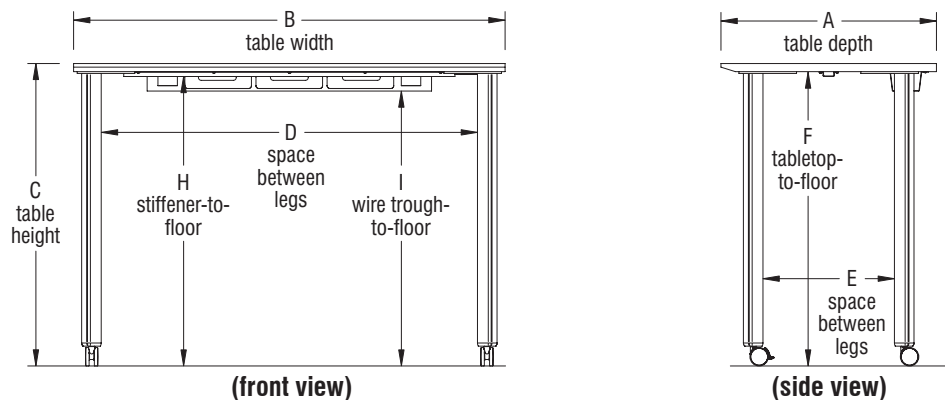
(model TJKCA3060/74P shown below)



**DIMENSIONS
 (cont.)**

42" Fixed-Height Tributaire Rectangular Single-Circuit Post-Leg Tables (4-legs) (KN edge)									
Model Number	A Table Depth	B Table Width	C Table Height	D Space Between Legs	E Space Between Legs	F Tabletop-to-Floor	G Leg-to-Tabletop-Edge	H Stiffener-to-Floor	I Wire Trough-to-Floor
TJKCA2436-KN	24"	36"	42"	28.25"	12.25"	40.87"	3.11"	40.20"	38.18"
TJKCA2442-KN	24"	42"	42"	34.25"	12.25"	40.87"	3.11"	40.20"	38.18"
TJKCA2448-KN	24"	48"	42"	40.25"	12.25"	40.87"	3.11"	40.20"	38.18"
TJKCA2454-KN	24"	54"	42"	46.25"	12.25"	40.87"	3.11"	40.20"	38.18"
TJKCA2460-KN	24"	60"	42"	52.25"	12.25"	40.87"	3.11"	40.20"	38.18"
TJKCA2466-KN	24"	66"	42"	58.25"	12.25"	40.87"	3.11"	40.20"	38.18"
TJKCA2472-KN	24"	72"	42"	64.25"	12.25"	40.87"	3.11"	40.20"	38.18"
TJKCA3036-KN	30"	36"	42"	28.25"	18.25"	40.87"	3.11"	40.20"	38.18"
TJKCA3042-KN	30"	42"	42"	34.25"	18.25"	40.87"	3.11"	40.20"	38.18"
TJKCA3048-KN	30"	48"	42"	40.25"	18.25"	40.87"	3.11"	40.20"	38.18"
TJKCA3054-KN	30"	54"	42"	46.25"	18.25"	40.87"	3.11"	40.20"	38.18"
TJKCA3060-KN	30"	60"	42"	52.25"	18.25"	40.87"	3.11"	40.20"	38.18"
TJKCA3066-KN	30"	66"	42"	58.25"	18.25"	40.87"	3.11"	40.20"	38.18"
TJKCA3072-KN	30"	72"	42"	64.25"	18.25"	40.87"	3.11"	40.20"	38.18"
TJKCA3642-KN	36"	42"	42"	34.25"	24.25"	40.87"	3.11"	40.20"	38.18"
TJKCA3648-KN	36"	48"	42"	40.25"	24.25"	40.87"	3.11"	40.20"	38.18"
TJKCA3654-KN	36"	54"	42"	46.25"	24.25"	40.87"	3.11"	40.20"	38.18"
TJKCA3660-KN	36"	60"	42"	52.25"	24.25"	40.87"	3.11"	40.20"	38.18"
TJKCA3666-KN	36"	66"	42"	58.25"	24.25"	40.87"	3.11"	40.20"	38.18"
TJKCA3672-KN	36"	72"	42"	64.25"	24.25"	40.87"	3.11"	40.20"	38.18"

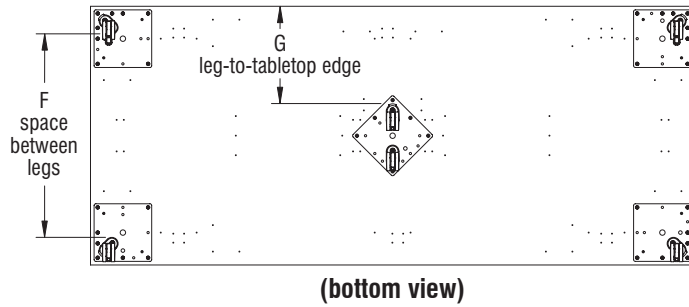
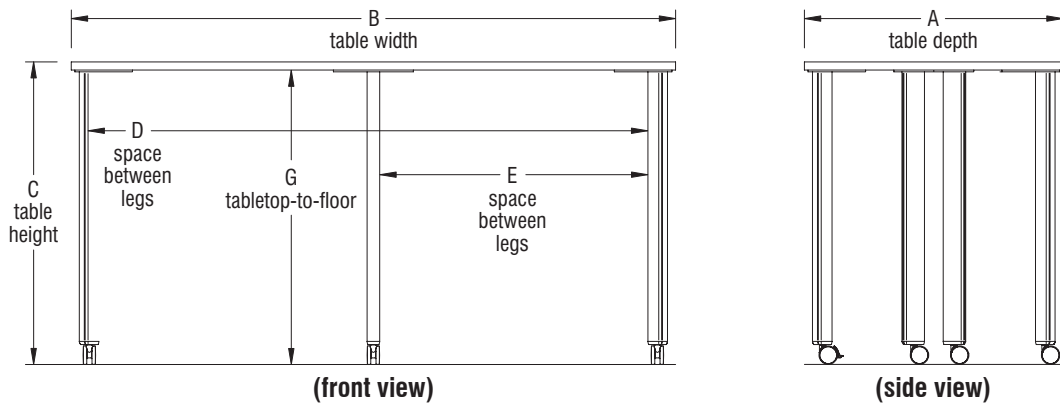
(model TJKCA3060/KN shown below)



DIMENSIONS
 (cont.)

42" Fixed-Height Tributaire Rectangular Single-Circuit Post-Leg Tables (6-legs) (74P edge)								
Model Number	A Table Depth	B Table Width	C Table Height	D Space Between Legs	E Space Between Legs	F Space Between Legs	G Leg-to-Tabletop Edge	H Tabletop-to-Floor
TJKCA3684	36"	84"	42"	76.25"	37.25"	28.25"	13.54"	40.87"
TJKCA3696	36"	96"	42"	88.25"	43.25"	28.25"	13.54"	40.87"

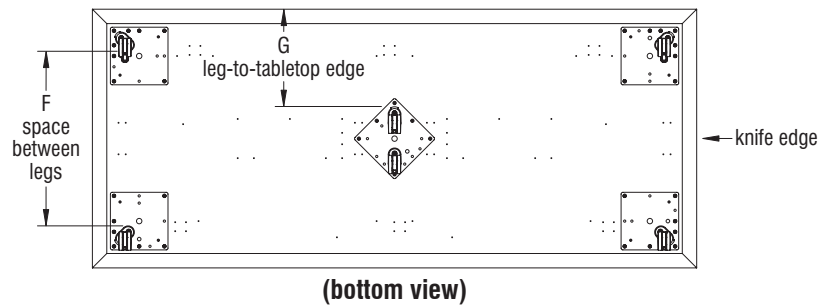
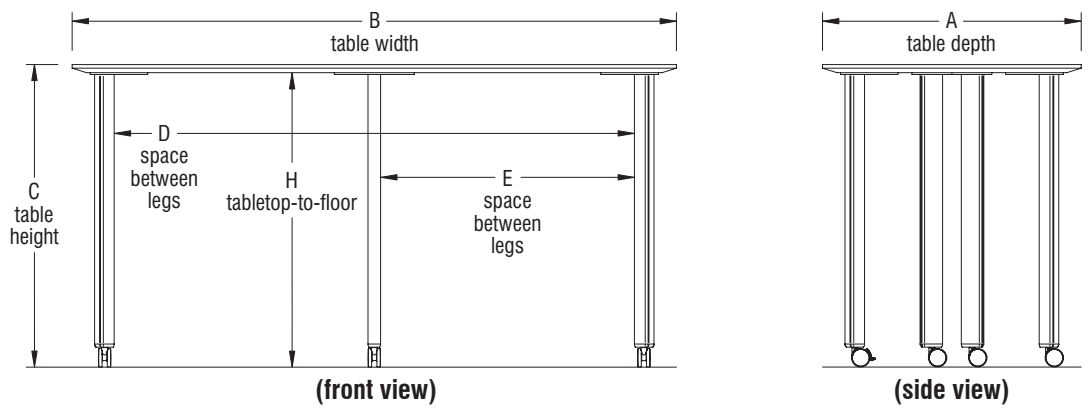
(model TJKCA3684/74P shown below)



**DIMENSIONS
 (cont.)**

42" Fixed-Height Tributaire Rectangular Single-Circuit Post-Leg Tables (6-legs) (KN edge)								
Model Number	A Table Depth	B Table Width	C Table Height	D Space Between Legs	E Space Between Legs	F Space Between Legs	G Leg-to-Tabletop Edge	H Tabletop-to-Floor
TJKCA3684-KN	36"	84"	42"	72.25"	35.25"	24.25"	13.54"	40.87"
TJKCA3696-KN	36"	96"	42"	84.25"	41.25"	24.25"	13.54"	40.87"

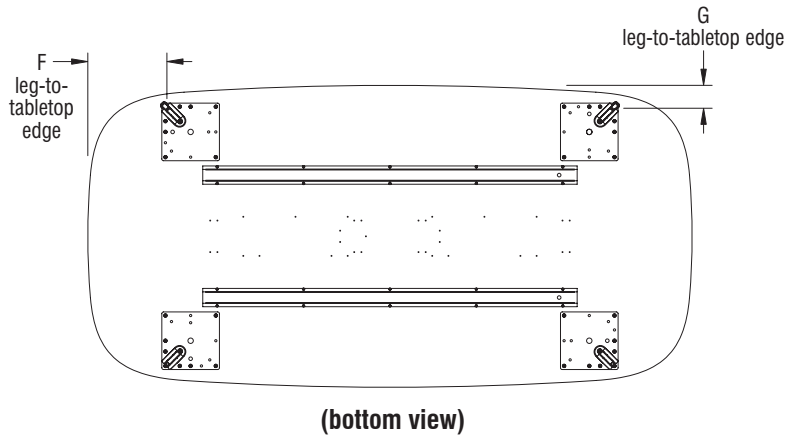
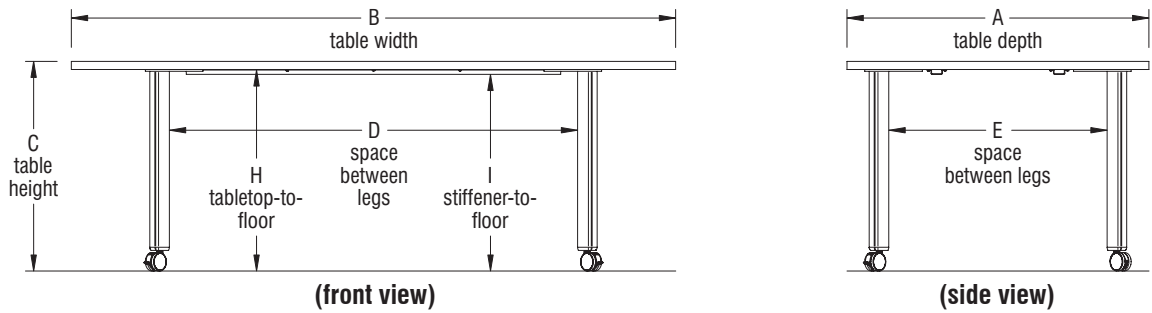
(model TJKCA3684/KN shown below)



DIMENSIONS
 (cont.)

Fixed-Height Tributaire Boat Single-Circuit Post-Leg Tables (4-legs) (74P edge)									
Model Number	A Table Depth	B Table Width	C Table Height	D Space Between Legs	E Space Between Legs	F Leg-to-Tabletop Edge	G Leg-to-Table Edge	H Tabletop-to-Floor	I Stiffener-to-Floor
TJKAT3684	36"	84"	29"	56.69"	24.32"	10.90"	3.08"	27.83"	27.16"
TJKAT4284	42"	84"	29"	56.69"	30.32"	10.90"	3.08"	27.83"	27.16"
TJKAT4884	48"	84"	29"	56.69"	36.32"	10.90"	3.08"	27.83"	27.16"

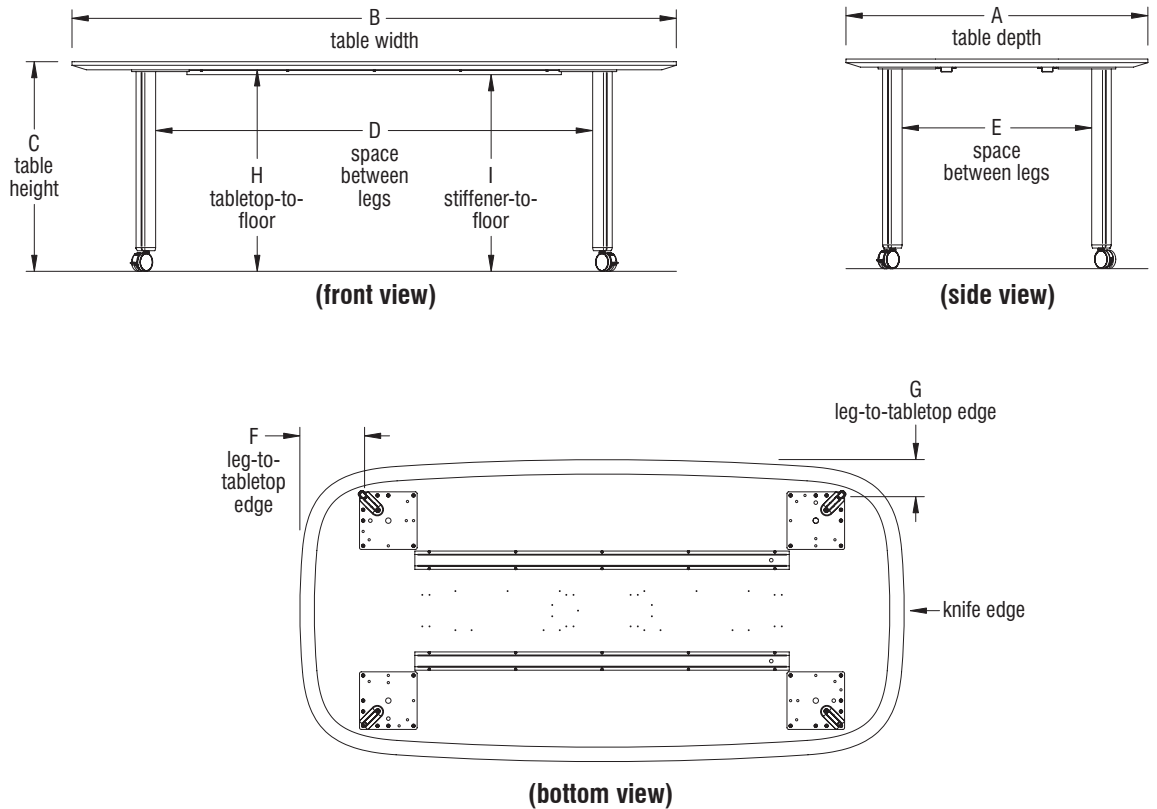
(model TJKAT4284/74P shown below)



**DIMENSIONS
 (cont.)**

Fixed-Height Tributaire Single-Circuit Boat Post-Leg Tables (4-legs) (KN edge)									
Model Number	A Table Depth	B Table Width	C Table Height	D Space Between Legs	E Space Between Legs	F Leg-to-Table Edge	G Tabletop-to-Floor	H Tabletop-to-Floor	I Stiffener-to-Floor
TJKAT3684-KN	36"	84"	29"	60.69"	20.32"	10.90"	5.08"	27.83"	27.16"
TJKAT4284-KN	42"	84"	29"	60.69"	26.32"	10.90"	5.08"	27.83"	27.16"
TJKAT4884-KN	48"	84"	29"	60.69"	32.32"	10.90"	5.08"	27.83"	27.16"

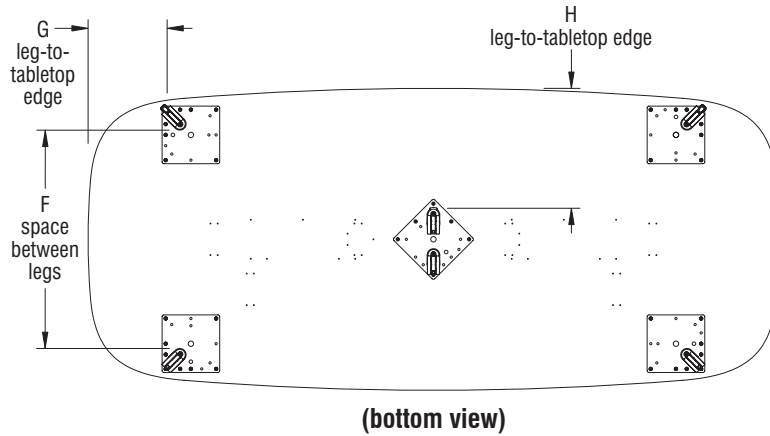
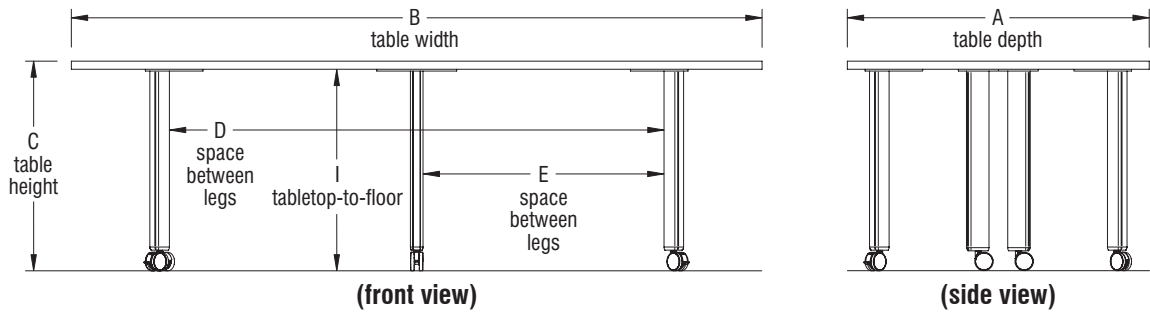
(model TJKAT4284/KN shown below)



DIMENSIONS
 (cont.)

Fixed-Height Tributaire Single-Circuit Boat Post-Leg Tables (6-legs) (74P edge)									
Model Number	A Table Depth	B Table Width	C Table Height	D Space Between Legs	E Space Between Legs	F Space Between Legs	G Leg-to-Table Edge	H Leg-to-Tabletop Edge	I Tabletop-to-Floor
TJKAT3696	36"	96"	29"	68.69"	33.47"	24.32"	10.90"	12.39"	27.83"
TJKAT4296	42"	96"	29"	68.69"	33.47"	30.32"	10.90"	15.39"	27.83"
TJKAT4896	48"	96"	29"	68.69"	33.47"	36.32"	10.90"	13.93"	27.83"

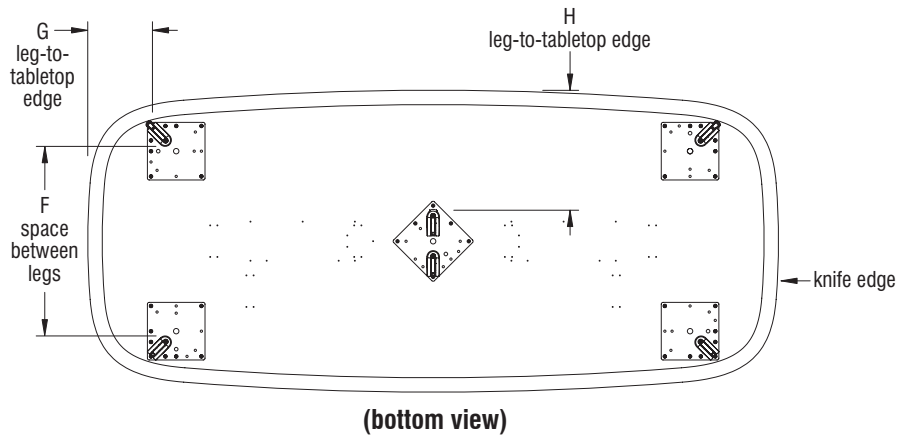
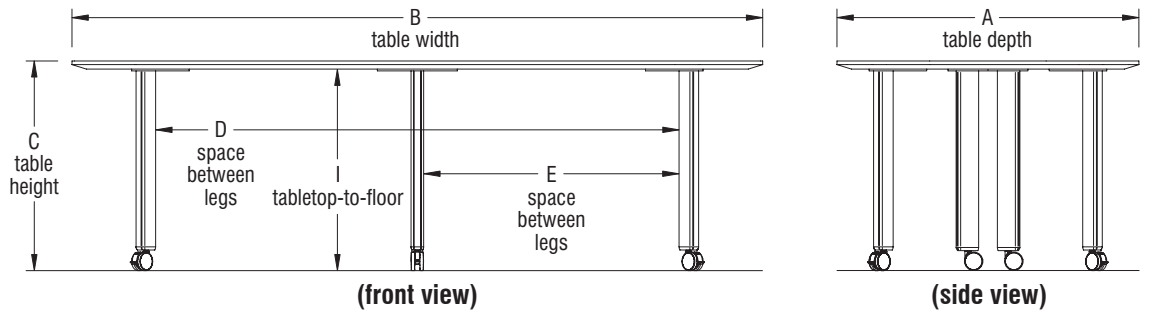
(model TJKAT4296/74P shown below)



**DIMENSIONS
 (cont.)**

Fixed-Height Tributaire Single-Circuit Boat Post-Leg Tables (6-legs) (KN edge)									
Model Number	A Table Depth	B Table Width	C Table Height	D Space Between Legs	E Space Between Legs	F Space Between Legs	G Leg-to-Tabletop Edge	H Leg-to-Tabletop Edge	I Tabletop-to-Floor
TJKAT3696-KN	36"	96"	29"	72.69"	33.47"	20.32"	11.06"	12.39"	27.83"
TJKAT4296-KN	42"	96"	29"	72.69"	33.47"	26.32"	14.06"	15.39"	27.83"
TJKAT4896-KN	48"	96"	29"	72.69"	33.47"	32.32"	17.06"	13.93"	27.83"

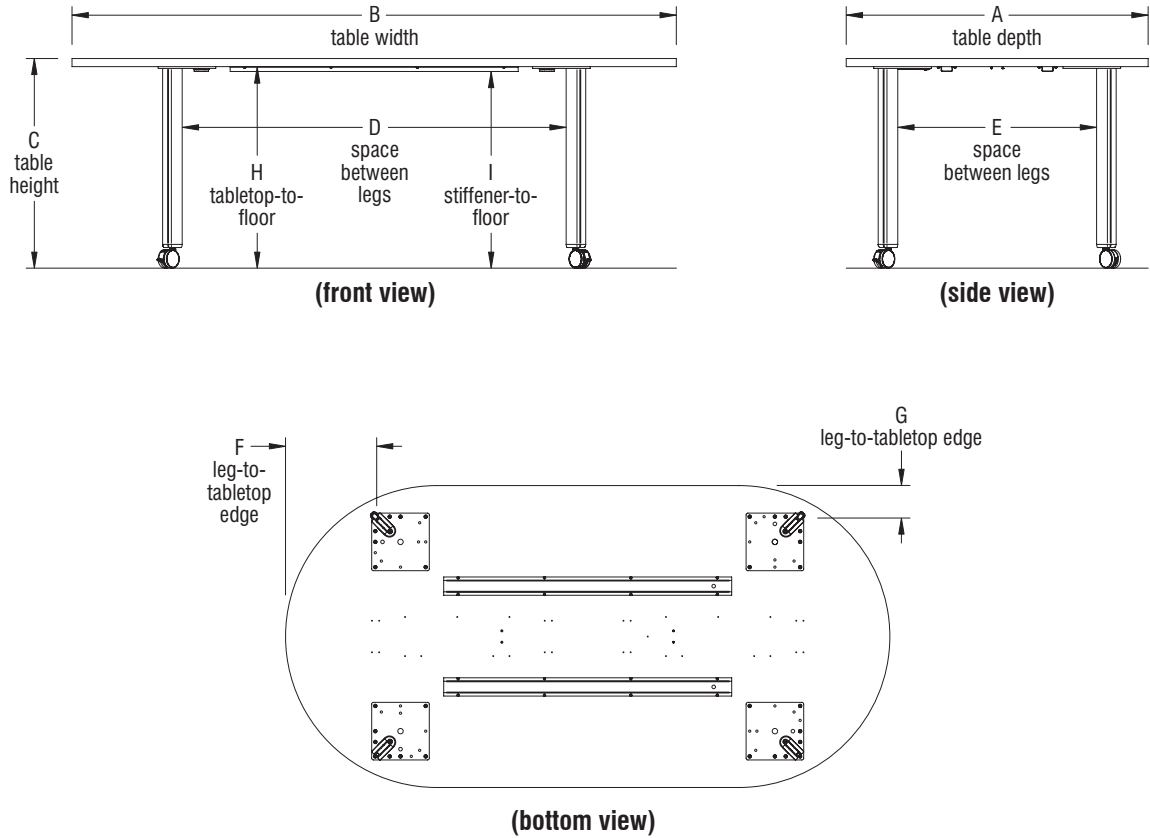
(model TJKAT4296/KN shown below)



DIMENSIONS
 (cont.)

Fixed-Height Tributaire Pill Single-Circuit Post-Leg Tables (4-legs) (74P edge)									
Model Number	A Table Depth	B Table Width	C Table Height	D Space Between Legs	E Space Between Legs	F Leg-to-Tabletop Edge	G Leg-to-Tabletop Edge	H Tabletop-to-Floor	I Stiffener-to-Floor
TJKAV3084	30"	84"	29"	54.82"	19.75"	12.82"	2.36"	27.83"	27.16"
TJKAV3684	36"	84"	29"	53.95"	23.92"	12.82"	3.28"	27.83"	27.16"
TJKAV4284	42"	84"	29"	53.32"	27.61"	12.82"	4.44"	27.83"	27.16"
TJKAV4884	48"	84"	29"	52.86"	30.96"	12.82"	5.76"	27.83"	27.16"

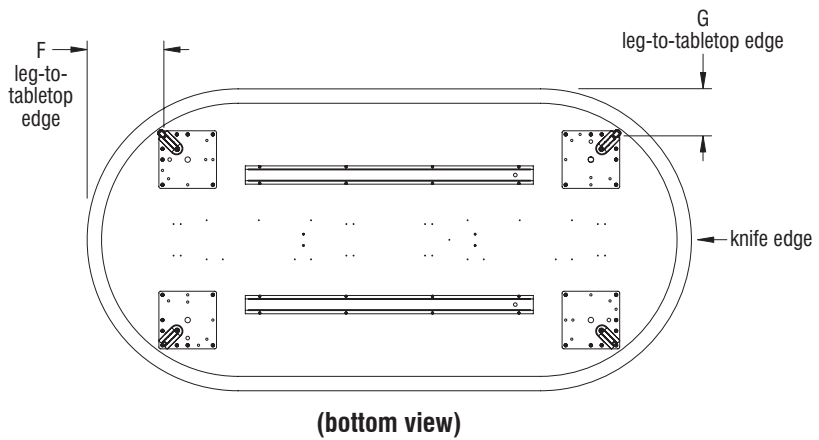
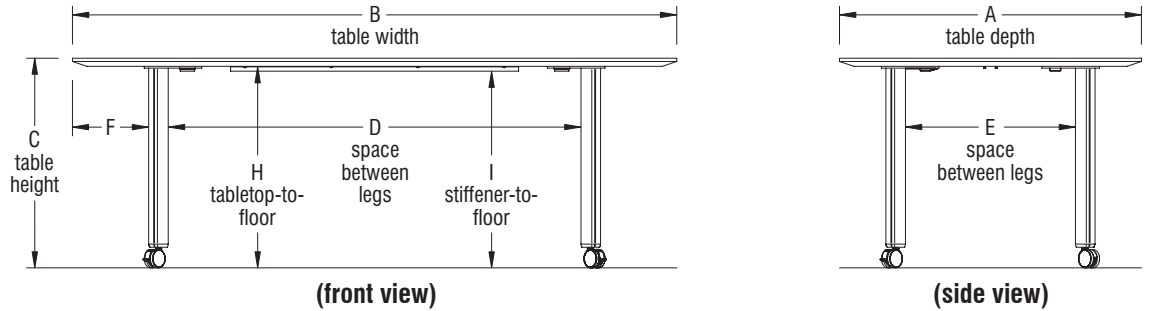
(model TJKAV4284/74P shown below)



**DIMENSIONS
 (cont.)**

Fixed-Height Tributaire Pill Single-Circuit Post-Leg Tables (4-legs) (KN edge)									
Model Number	A Table Depth	B Table Width	C Table Height	D Space Between Legs	E Space Between Legs	F Leg-to-Tabletop Edge	G Leg-to-Tabletop Edge	H Tabletop-to-Floor	I Stiffener-to-Floor
TJKAV3084-KN	30"	84"	29"	58.82"	15.75"	12.82"	4.36"	27.83"	27.16"
TJKAV3684-KN	36"	84"	29"	57.95"	19.92"	12.82"	5.28"	27.83"	27.16"
TJKAV4284-KN	42"	84"	29"	57.32"	23.61"	12.82"	6.44"	27.83"	27.16"
TJKAV4884-KN	48"	84"	29"	56.86"	26.96"	12.82"	7.76"	27.83"	27.16"

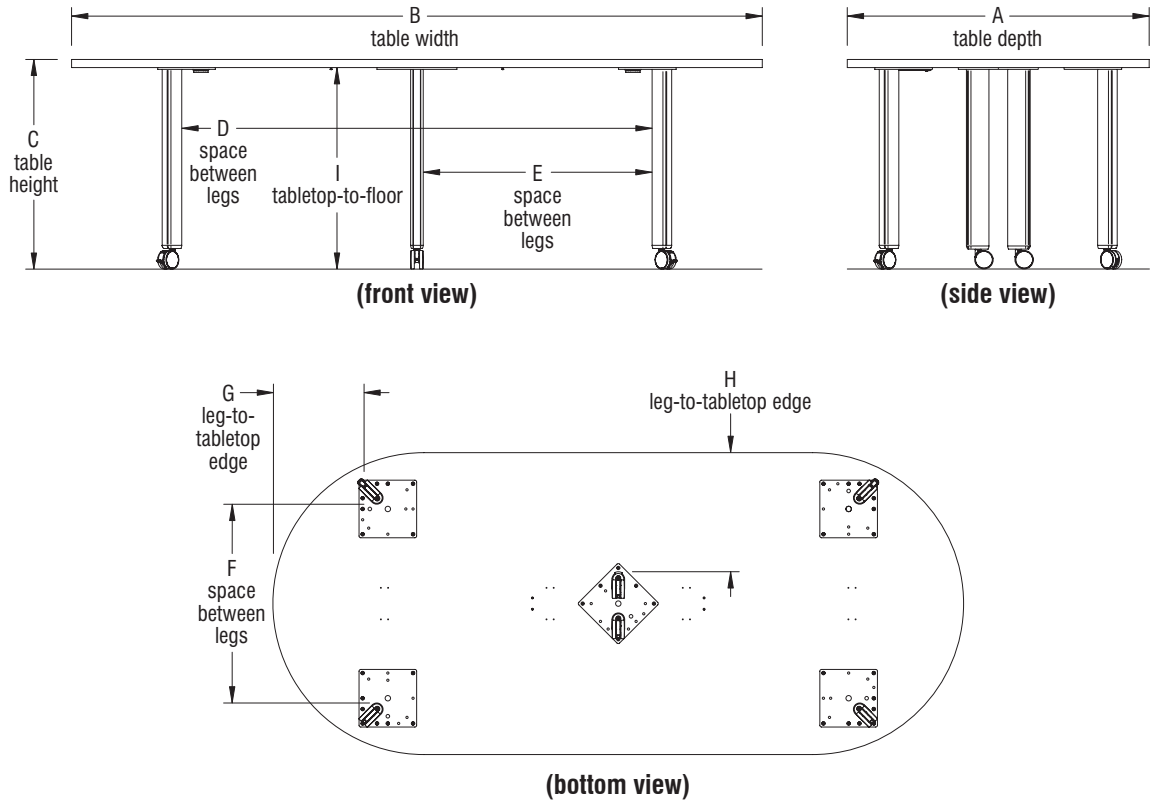
(model TJKAV4284/KN shown below)



DIMENSIONS
 (cont.)

Fixed-Height Tributaire Pill Single-Circuit Post-Leg Tables (6-legs) (74P edge)									
Model Number	A Table Depth	B Table Width	C Table Height	D Space Between Legs	E Space Between Legs	F Space Between Legs	G Leg-to-Tabletop Edge	H Leg-to-Tabletop Edge	I Tabletop-to-Floor
TJKAV3096	30"	96"	29"	66.82"	32.53"	19.75"	10.82"	9.39"	27.83"
TJKAV3696	36"	96"	29"	65.95"	32.10"	23.92"	10.82"	12.39"	27.83"
TJKAV4296	42"	96"	29"	65.32"	31.78"	27.61"	10.82"	15.39"	27.83"
TJKAV4896	48"	96"	29"	64.86"	31.56"	30.96"	10.82"	13.93"	27.83"

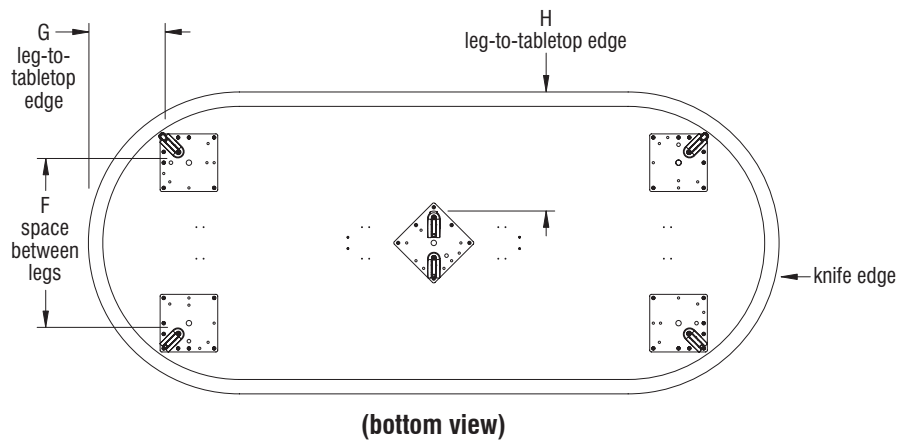
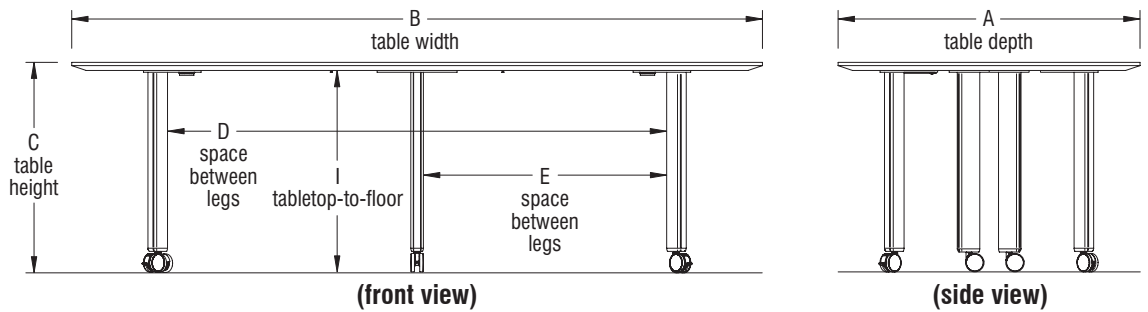
(model TJKAV4296/74P shown below)



DIMENSIONS
 (cont.)

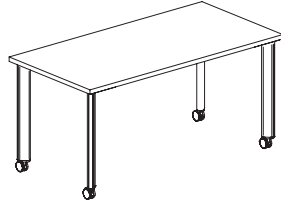
Fixed-Height Tributaire Pill Single-Circuit Post-Leg Tables (6-legs) (KN edge)									
Model Number	A Table Depth	B Table Width	C Table Height	D Space Between Legs	E Space Between Legs	F Space Between Legs	G Leg-to-Tabletop Edge	H Leg-to-Tabletop Edge	I Tabletop-to-Floor
TJKAV3096-KN	30"	96"	29"	70.82"	34.53"	15.75"	10.82"	9.39"	27.83"
TJKAV3696-KN	36"	96"	29"	69.95"	34.10"	19.92"	10.82"	12.39"	27.83"
TJKAV4296-KN	42"	96"	29"	69.32"	33.78"	23.61"	10.82"	15.39"	27.83"
TJKAV4896-KN	48"	96"	29"	68.86"	33.55"	26.96"	10.82"	13.93"	27.83"

(model TJKAV4296/KN shown below)



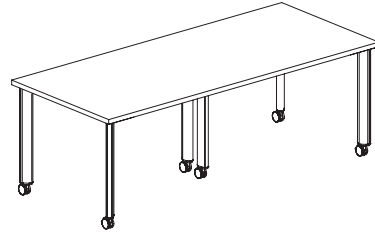
**STATEMENT OF
 LINE**

Tribulaire Post-Leg Rectangular Tables



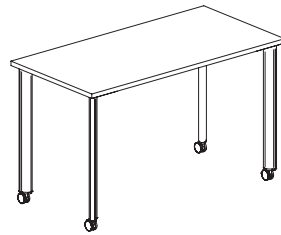
29" Fixed-Height
 Rectangle (4-legs)

TJEEA2436	TJEEA3036	TJEEA3642
TJEEA2442	TJEEA3042	TJEEA3648
TJEEA2448	TJEEA3048	TJEEA3654
TJEEA2454	TJEEA3054	TJEEA3660
TJEEA2460	TJEEA3060	TJEEA3666
TJEEA2466	TJEEA3066	TJEEA3672
TJEEA2472	TJEEA3072	TJEEA4272
		TJEEA4872



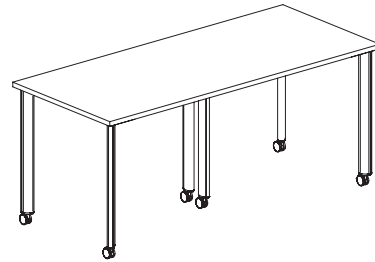
29" Fixed-Height
 Rectangle (6-legs)

TJEEA3684	TJEEA4284	TJEEA4884
TJEEA3696	TJEEA4296	TJEEA4896



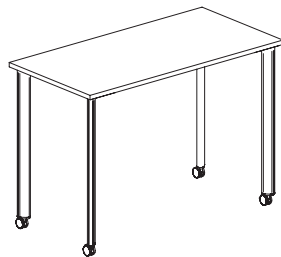
36" Fixed-Height
 Rectangle (4-legs)

TJEBA2436	TJEBA3036	TJEBA3642
TJEBA2442	TJEBA3042	TJEBA3648
TJEBA2448	TJEBA3048	TJEBA3654
TJEBA2454	TJEBA3054	TJEBA3660
TJEBA2460	TJEBA3060	TJEBA3666
TJEBA2466	TJEBA3066	TJEBA3672
TJEBA2472	TJEBA3072	TJEBA3684
		TJEBA3696



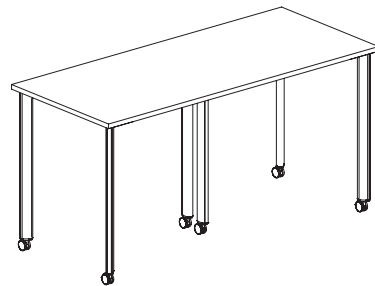
36" Fixed-Height
 Rectangle (6-legs)

TJEBA3684
TJEBA3696



42" Fixed-Height
 Rectangle (4-legs)

TJECA2436	TJECA3036	TJECA3642
TJECA2442	TJECA3042	TJECA3648
TJECA2448	TJECA3048	TJECA3654
TJECA2454	TJECA3054	TJECA3660
TJECA2460	TJECA3060	TJECA3666
TJECA2466	TJECA3066	TJECA3672
TJECA2472	TJECA3072	TJECA3684
		TJECA3696



42" Fixed-Height
 Rectangle (6-legs)

TJECA3684
TJECA3696

**STATEMENT OF
 LINE (cont.)**

Tributaire Post-Leg Round Tables



29" Fixed-Height
 Round
 TJEAB42
 TJEAB48
 TJEAB60

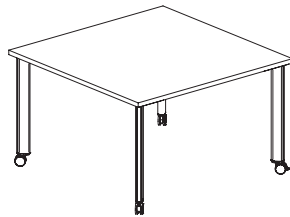


36" Fixed-Height
 Round
 TJEBC42
 TJEBC48
 TJEBC60

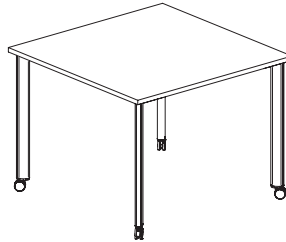


42" Fixed-Height
 Round
 TJECC42
 TJECC48
 TJECC60

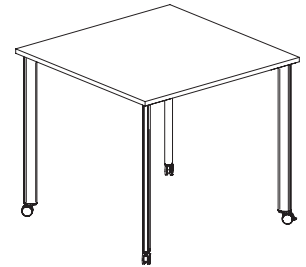
Tributaire Post-Leg Square Tables



29" Fixed-Height
 Square
 TJEAC36
 TJEAC42
 TJEAC48
 TJEAC60

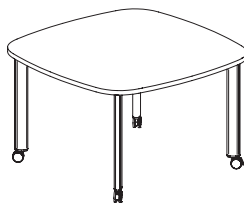


36" Fixed-Height
 Square
 TJEBC36
 TJEBC42
 TJEBC48
 TJEBC60



42" Fixed-Height
 Square
 TJECC36
 TJECC42
 TJECC48
 TJECC60

Tributaire Post-Leg Rounded Square Tables



29" Fixed-Height
 Rounded Square
 TJEAR42
 TJEAR48
 TJEAR60



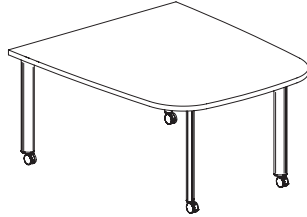
36" Fixed-Height
 Rounded Square
 TJEER42
 TJEER48
 TJEER60



42" Fixed-Height
 Rounded Square
 TJEER42
 TJEER48
 TJEER60

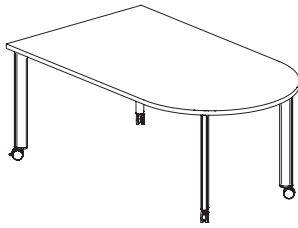
**STATEMENT OF
 LINE (cont.)**

Tributaire Post-Leg Half-Rounded Square Tables

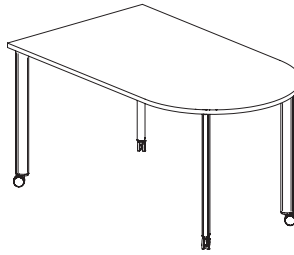


29" Fixed-Height
 Half-Rounded Square
 TJEAS5260
 TJEAS5272

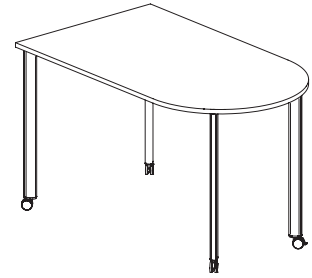
Tributaire Post-Leg D-Shaped Tables



29" Fixed-Height
 D-Shape
 TJEAD4260
 TJEAD4272
 TJEAD4860
 TJEAD4872

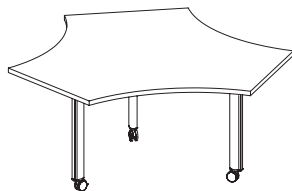


36" Fixed-Height
 D-Shape
 TJEBD4260
 TJEBD4272
 TJEBD4860
 TJEBD4872



42" Fixed-Height
 D-Shape
 TJECD4260
 TJECD4272
 TJECD4860
 TJECD4872

Tributaire Post-Leg Sprocket Tables



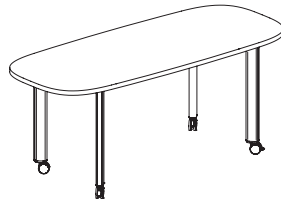
29" Fixed-Height
 Sprocket (3-legs)
 TJEAG24L3
 TJEAG30L3



29" Fixed-Height
 Sprocket (6-legs)
 TJEAG30L6

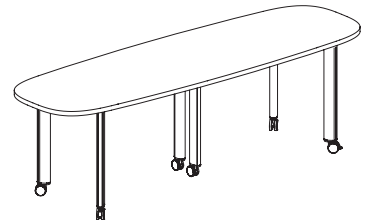
**STATEMENT OF
 LINE (cont.)**

Tributaire Post-Leg Boat Tables



29" Fixed-Height
 Boat (4-legs)

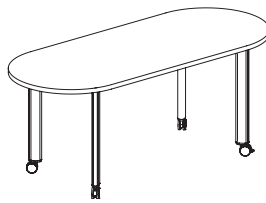
TJEAT3060	TJEAT3660	TJEAT4260	TJEAT4860
TJEAT3066	TJEAT3666	TJEAT4266	TJEAT4866
TJEAT3072	TJEAT3672	TJEAT4272	TJEAT4872



29" Fixed-Height
 Boat (6-legs)

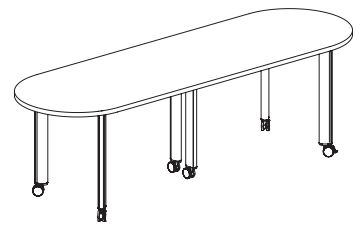
TJEAT3084	TJEAT3684	TJEAT4284	TJEAT4884
TJEAT3096	TJEAT3696	TJEAT4296	TJEAT4896

Tributaire Post-Leg Pill Tables



29" Fixed-Height
 Pill (4-legs)

TJEAV3060	TJEAV3660	TJEAV4260	TJEAV4860
TJEAV3066	TJEAV3666	TJEAV4266	TJEAV4866
TJEAV3072	TJEAV3672	TJEAV4272	TJEAV4872

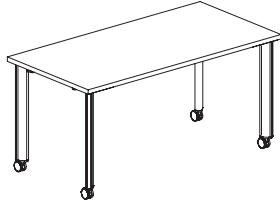


29" Fixed-Height
 Pill (6-legs)

TJEAV3084	TJEAV3684	TJEAV4284	TJEAV4884
TJEAV3096	TJEAV3696	TJEAV4296	TJEAV4896

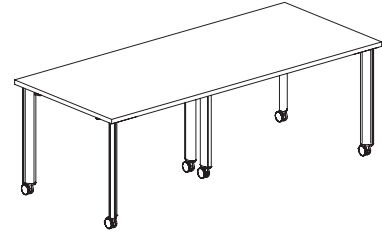
**STATEMENT OF
 LINE (cont.)**

Tributaire Post-Leg Single-Circuit Rectangular Tables



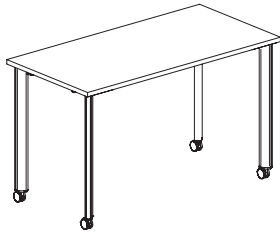
29" Fixed-Height
 Rectangle (4-legs)

TJKAA2436	TJKAA3036	TJKAA3642
TJKAA2442	TJKAA3042	TJKAA3648
TJKAA2448	TJKAA3048	TJKAA3654
TJKAA2454	TJKAA3054	TJKAA3660
TJKAA2460	TJKAA3060	TJKAA3666
TJKAA2466	TJKAA3066	TJKAA3672
TJKAA2472	TJKAA3072	TJKAA4272
		TJKAA4872



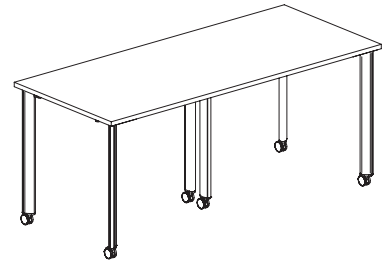
29" Fixed-Height
 Rectangle (6-legs)

TJKAA3684	TJKAA4284	TJKAA4884
TJKAA3696	TJKAA4296	TJKAA4896



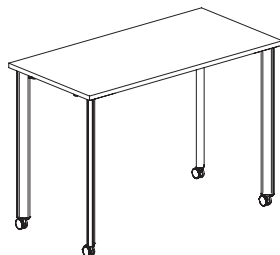
36" Fixed-Height
 Rectangle (4-legs)

TJKBA2436	TJKBA3036	TJKBA3642
TJKBA2442	TJKBA3042	TJKBA3648
TJKBA2448	TJKBA3048	TJKBA3654
TJKBA2454	TJKBA3054	TJKBA3660
TJKBA2460	TJKBA3060	TJKBA3666
TJKBA2466	TJKBA3066	TJKBA3672
TJKBA2472	TJKBA3072	



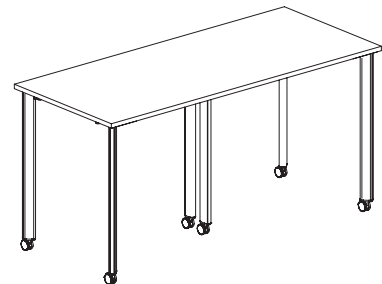
36" Fixed-Height
 Rectangle (6-legs)

TJKBA3684
TJKBA3696



42" Fixed-Height
 Rectangle (4-legs)

TJKCA2436	TJKCA3036	TJKCA3642
TJKCA2442	TJKCA3042	TJKCA3648
TJKCA2448	TJKCA3048	TJKCA3654
TJKCA2454	TJKCA3054	TJKCA3660
TJKCA2460	TJKCA3060	TJKCA3666
TJKCA2466	TJKCA3066	TJKCA3672
TJKCA2472	TJKCA3072	TJKCA3684
		TJKCA3696

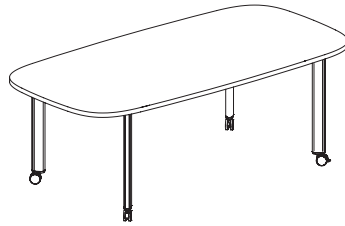


42" Fixed-Height
 Rectangle (6-legs)

TJKCA3684
TJKCA3696

**STATEMENT OF
LINE (cont.)**

Tribulaire Post-Leg Single-Circuit Boat Tables



29" Fixed-Height
Boat (4-legs)

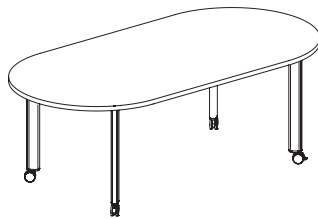
TJKAT3684 TJKAT4284 TJKAT4884



29" Fixed-Height
Boat (6-legs)

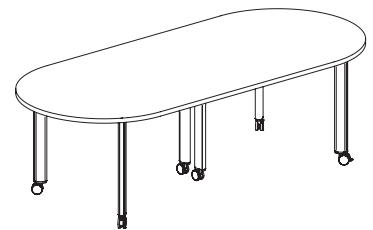
TJKAT3696 TJKAT4296 TJKAT4896

Tribulaire Post-Leg Single-Circuit Pill Tables



29" Fixed-Height
Pill (4-legs)

TJKAV3084 TJKAV3684 TJKAV4284 TJKAV4884



29" Fixed-Height
Pill (6-legs)

TJKAV3096 TJKAV3696 TJKAV4296 TJKAV4896

Conference Tables

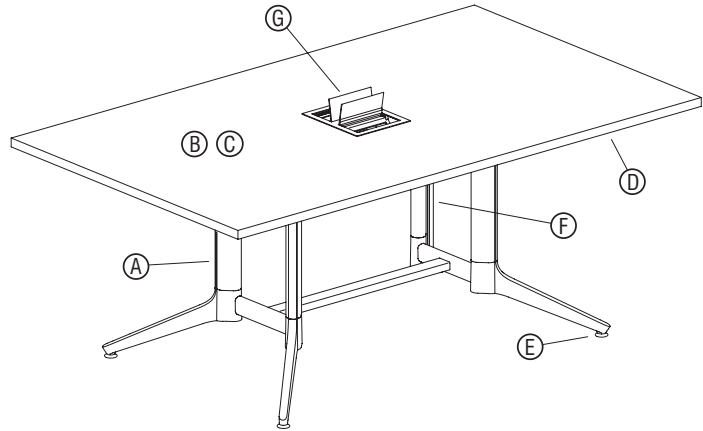
Product Overview

An elegant C-Leg solution to support collaboration in both conference rooms or communal spaces.

Conference Table Features

Tributaire conference table features can be configured or are standard, to include:

- A. Number of Legs (page 138).
- B. Tabletop shape & size (page 139).
- C. Tabletop laminate grades.
- D. Tabletop edge styles (page 139).
- E. Glide options (page 141).
- F. Wire management (page 141).
- G. Electrical options (page 142).



(model TJBAA4272-KN shown)

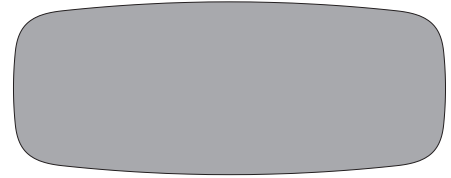
Conference Tables			
	Rectangular	Boat	Pill
Base Height			
29" H	•	•	•
36" H			
42" H			
Number of Legs			
2-Leg	•	•	•
3-Leg	•	•	•
4-Leg	•	•	•
6-Leg	•	•	•
Features			
Low Profile Glides	•	•	•
Power Modules with 3-Prong Plug	•	•	•
Pattern Electrical System			
Ganging			
Modesty Panels			

Tabletops

Tributaire conference tabletops are offered in various shapes, sizes and features. Available features vary based on individual models.



Rectangular

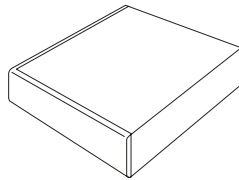


Boat

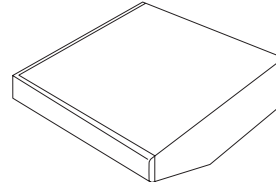


Pill

Edge Styles



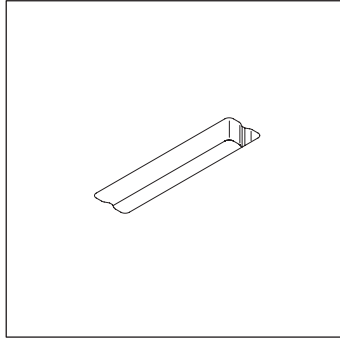
**74P Edge
(74P)**



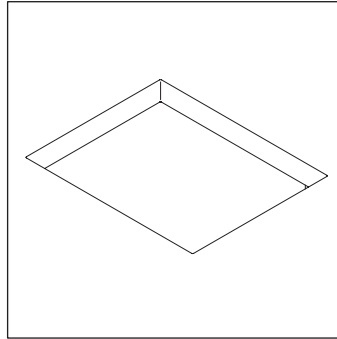
**Knife Edge
(KN)**

Tabletop Cutouts

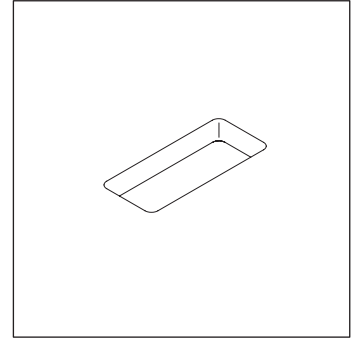
Dean, Double Ellora B, Nacre, or Node grommets can be specified for use within corresponding cutouts.



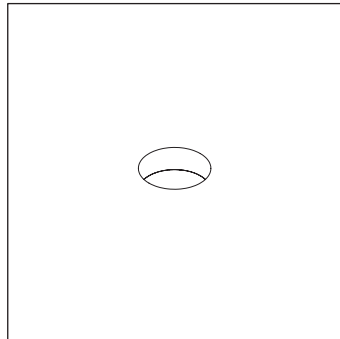
Dean Tabletop Cutout



Double Ellora B Tabletop Cutout



Nacre Tabletop Cutout

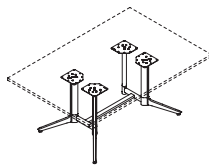


Node Tabletop Cutout

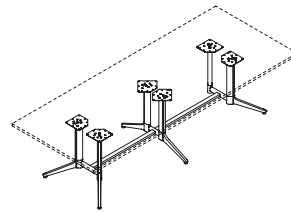
Note: Available options vary and are dependent on table model. All cutout styles are not available on all models.

Bases

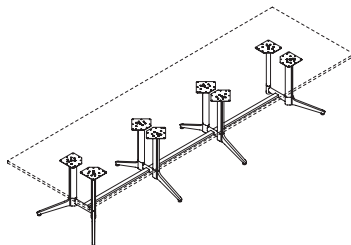
Tributaire conference tabletops are offered in various shapes and base configurations, which support learning, idea sharing and collaboration.



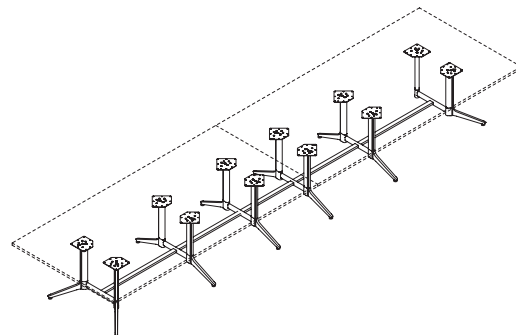
2-Legs



3-Legs



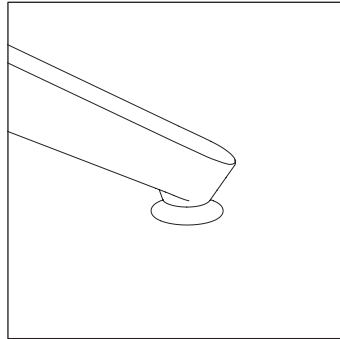
4-Legs



6-Legs

Low Profile Glides

Low profile glides are 1.5" in diameter, have black floor contact pads and 1/2" of adjustment.



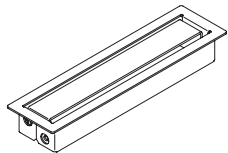
Low Profile Glide

Wire Management

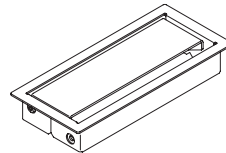
Grommets

Metal grommets are available to fit Dean, Nacre and Node tabletop cutouts.

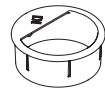
Grommets, modules and electrical components are field installed.



Dean® Grommet
(1.94" x 7.3" cutout)



Nacre® Grommet
(3" x 6.94" cutout)



Node Grommet
(3" diameter cutout)

Strain Relief Clip

Strain relief clips are included with table when power modules with 3-prong plugs are specified.

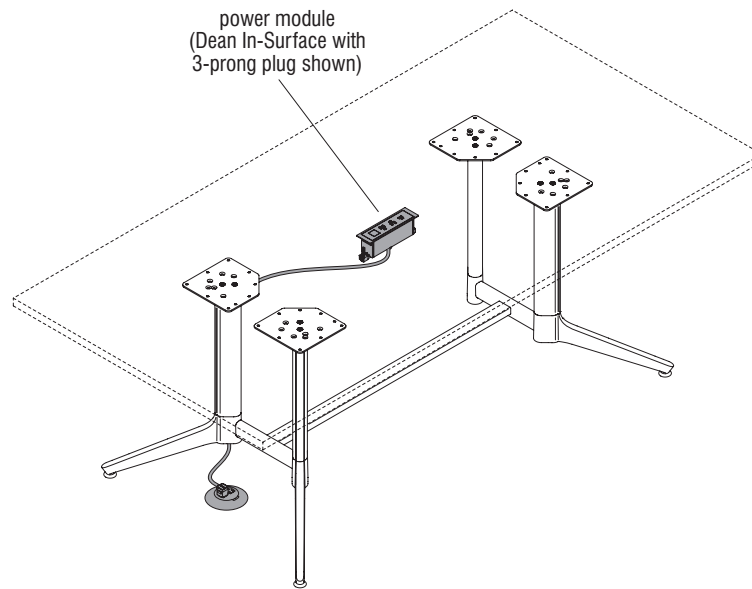


Electrical

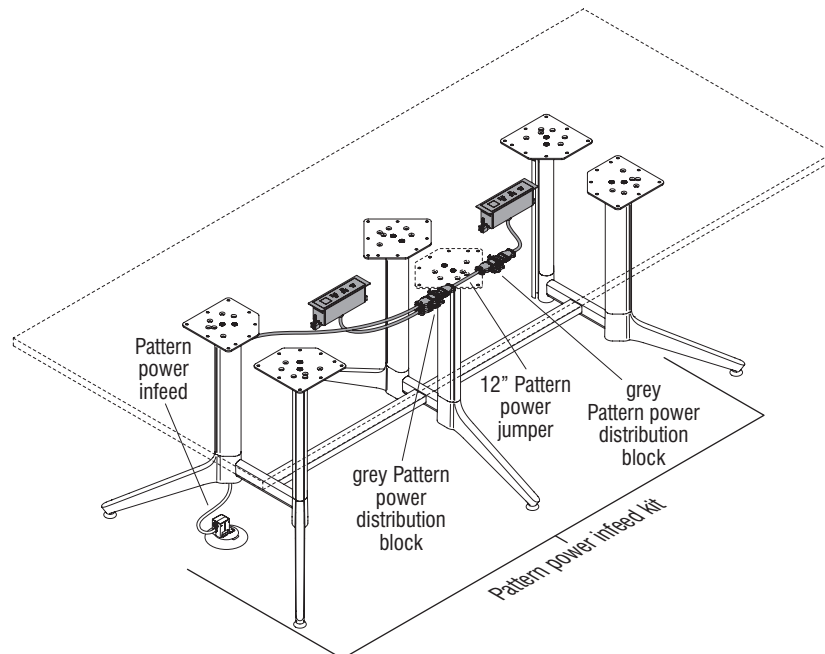
Electrical System Overview

Two power options are available for Tributaire conference tables

- **Power Modules with 108" or 180" cord and 3-prong plug**
 - Recommended for minimal power needs.
 - Multiple power module styles available.
 - Corded modules with 3-prong plug must be plugged into a building receptacle.
- **Pattern Single-Circuit Electrical System (a multi-unit daisy chain, power system)**
 - Only available on tables 96" - 240" wide with two power modules for Pattern electrical.
 - Multiple power modules daisy chain together to use one power infeed with 3-prong plug.
 - Multiple power module styles available.


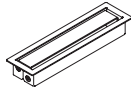
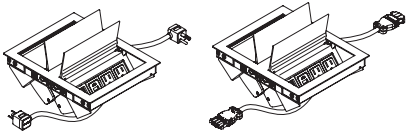

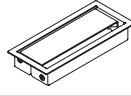


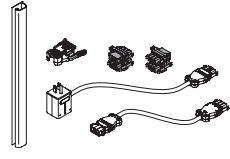


Tributaire Conference Table with Power Module with 3-Prong Plug



Tributaire Conference Table with Power Module for Pattern Single-Circuit Electrical

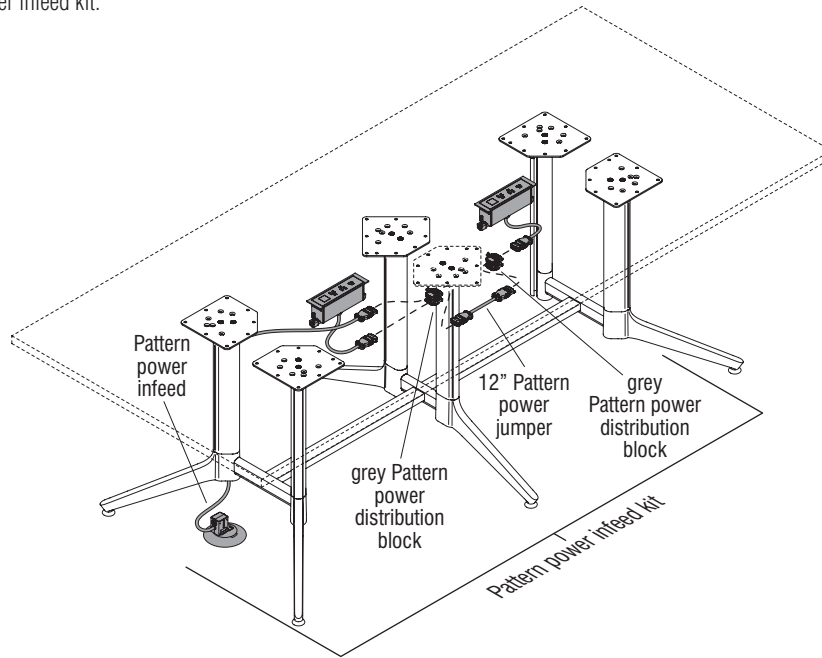
Electrical Components

Electrical Components				
Power Options	Visual	Module Configuration	Tabletop Cutout Dimensions	Mounting Location
Dean In-Surface (available with 3-prong plug or Pattern single-circuit electrical system)		2 power outlets, 1 dual USB A+C, 1 open port	1.94" x 7.3"	in surface
Dean In-Surface Grommet		N/A	1.94" x 7.3"	in surface
Double Ellora B Module (available with 3-prong plug or Pattern single-circuit electrical system)		4 power outlets, 2 dual USB A+C, 2 open port	7.88" x 9.75"	in surface
Nacre Pop-Up Module (available with 3-prong plug or Pattern single-circuit electrical system)		2 power outlets, 1 dual USB A+C, 1 open port	3" x 6.94"	in surface
Nacre Grommet		N/A	3" x 6.94"	in surface
Node (available with 3-prong plug or Pattern single-circuit electrical system)		1 power outlet, 1 dual USB A+C	3" diameter	in surface
Node Grommet		N/A	3" diameter	in surface
Pattern Power Infeed Kit <ul style="list-style-type: none"> • Pattern Power Infeed • Pattern Power Jumper • Two Grey Pattern Power Distribution Blocks • Pattern Quick-Release Tool • Vertical Wire Manager 		N/A	N/A	N/A

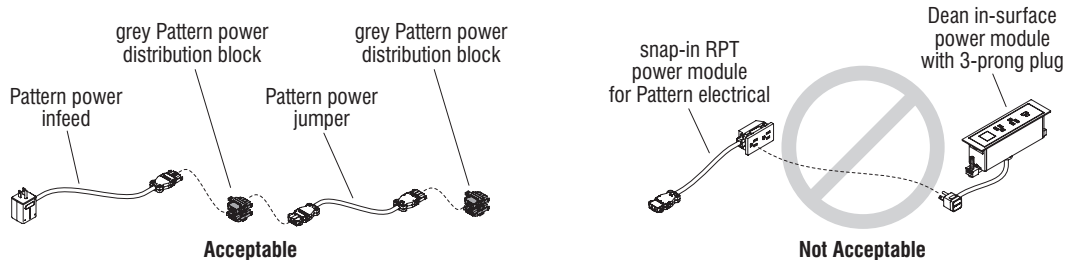
Pattern Electrical

A non-sequential single-circuit electrical system used to provide power distribution which is ETL Listed to UL 962A (USA) and CAN/CSA-C22.2 No. 308 (Canada). Power infeed can be simply plugged into a building wall or floor receptacle; no electrician is needed.

- Tributaire conference tables cannot carry Pattern electrical from table-to-table. Conference tables are stand-alone units and can only carry Pattern electrical to power modules within the table.
- Pattern electrical system is a 15-amp system; however, continuous use should not exceed 80% draw. Only load 12 amps of draw if current is expected to continue for three or more hours at a time.
- Pattern power jumper and Pattern power distribution blocks connect to carry power across the table.
- Two distribution blocks are secured to the underside of the tabletop.
- Pattern power infeed is compatible with ground fault interrupter (GFI/GFCI) and uninterrupter power supplies.
- Wire management devices are included. All Pattern power connections must be appropriately installed before connecting infeed to power source.
- When the desired table Pattern power pick is selected, all necessary components for the table will be provided, including the Pattern power infeed kit.



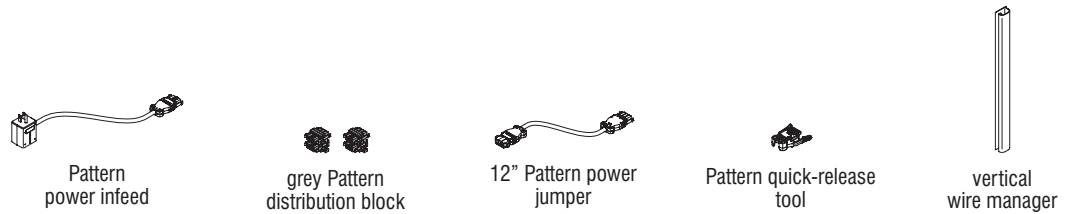
Available Tributaire Conference Table Pattern Power Picks		
PMA2	(2) Nacre In-Surface Pop-Up for Pattern electrical	Available option for 96, 120, 132, 144, 156, 168, 192, & 240" table widths only.
PMD2	(2) Dean In-Surface for Pattern electrical	Available option for 96, 120, 132, 144, 156, 168, 192, & 240" table widths only.
PMO2	(2) Node In-Surface for Pattern electrical	Available option for 96, 120, 132, 144, 156, 168, 192, & 240" table widths only.
PMT2	(2) Double Ellora B for Pattern electrical	Available option for 96, 120, 132, 144, 156, 168, 192, & 240" table widths only.



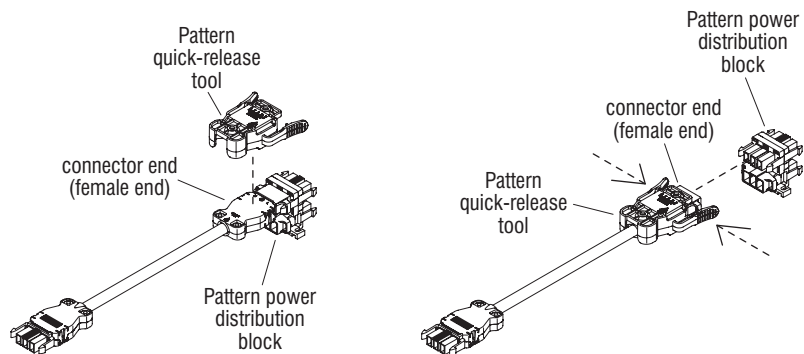
Pattern Electrical (cont.)

Pattern Power Infeed Kits

- Power infeed kit includes (2) grey Pattern power distribution blocks, (1) 12" Pattern power jumper, (1) 108" Pattern power infeed, (1) Pattern quick-release tool & (1) vertical wire manager.



- Pattern power infeed cords are 108" long.
 - Power infeed kits allow for reconfiguration and can be installed at the end, or middle of the table.
 - Power infeeds come with 90-degree angled plugs. Angled plugs make it easier to route the cords through tight corners and spaces eliminating stress placed on the power cord conductors and the strain relief.
- Pattern Quick-Release Tool
 - Pattern quick-release tool is a simple tool designed to help remove the power connector ends from the Pattern power distribution blocks if reconfiguration of the Pattern single-circuit electrical system is required.



Pattern Power Distribution Blocks

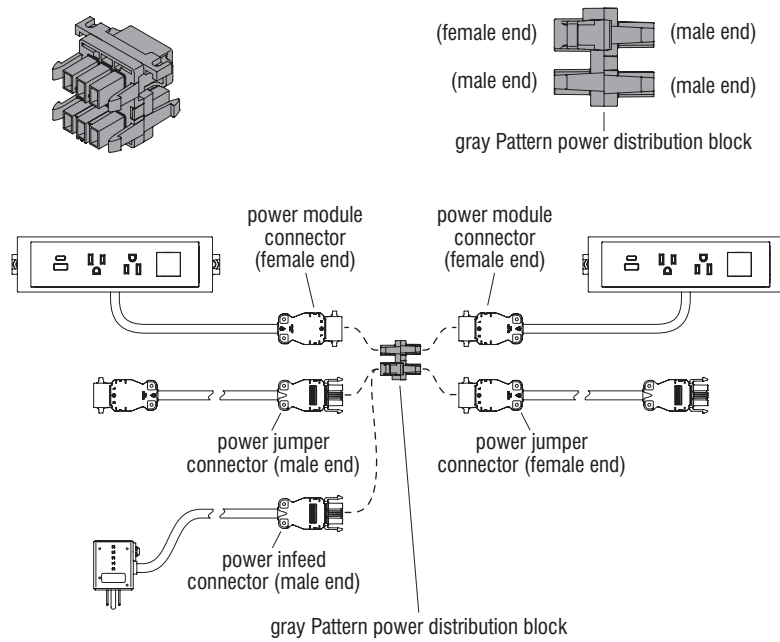
Pattern Electrical (cont.)

Pattern Power Distribution Blocks

Pattern power distribution blocks are required to connect and distribute power. One type of distribution block is used, as illustrated below. Grey distribution blocks are included with Pattern power infeed kits.

• **Grey Pattern Power Distribution Block**

- Supports two power modules and two jumpers, or one jumper and one infeed.



Planning with Pattern Electrical

1. Identify power requirements per layout.

Pattern electrical is a 15-amp system; however, continuous use should not exceed 80% draw. Only load 12 amps of draw if current is expected to continue for three or more hours at a time.

Amp Draw Range by Item Type:

This chart shows the estimated amp draw for common devices. Be sure to calculate the necessary amperage needs for the space. Amp draw requirements will determine the number of infeeds needed.

Item	Amp(s)	Item	Amp(s)	Item	Amp(s)
Bluetooth Speaker	0.1	Inkjet Printer	0.15	Refrigerator	6
Cell Phone Charger	1-2	Laptop	1	Scanner	3
Coffee Maker	10	Laser Printer	0.5	Space Heater	12
Computer Monitor	0.5	LED Task Light	0.08	Tablet	1-2
Copy Machine (Xerox)	20	Microwave	10	Tea Kettle	7-10
Cordless Drill Charger	2-3	Office Phone	0.1	Television 42"	1
Crock Pot	1-2	Paper Shredder	1.22	USB Charger	0.17
Desktop 3-D printer	5	Personal Fan	0.5	Vacuum	10
Desktop Computer	3	Projector	1.7		

Calculate Amps from Watts:

To calculate amps from watts, divide the watts by 120.

Example: 600 watts/120 = 5 amps

Pattern Electrical (cont.)

Planning with Pattern Electrical (cont.)

Tributaire Conference Tables

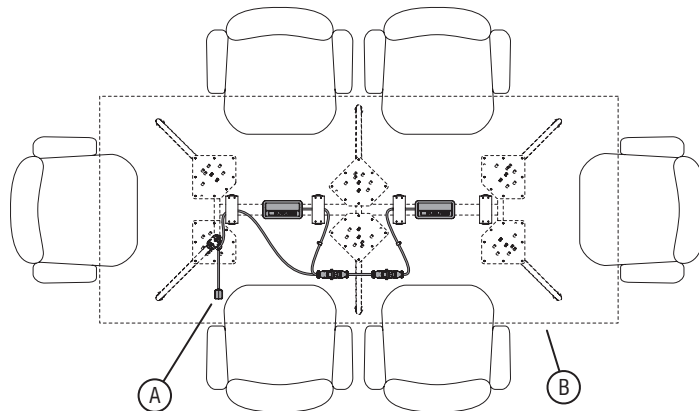
Table Shape	Table Width	Power Options	Number of Modules Per Table	# of Distribution Blocks Included with Table	Internal Jumper Length Included with Table	# of Velcro Wire Manager
Rectangular	96"	pma2, pmd2, pmo2, pmt2	2	2	12"	4
Rectangular	120"-144"	pma2, pmd2, pmo2, pmt2	2	2	53"	4
Rectangular	156" & 240"	pma2, pmd2, pmo2, pmt2	2	2	75"	4
Rectangular	168" & 192"	pma2, pmd2, pmo2, pmt2	2	2	101"	4
Boat	96"	pma2, pmd2, pmo2, pmt2	2	2	12"	4
Boat	120"-144"	pma2, pmd2, pmo2, pmt2	2	2	53"	4
Boat	156" & 240"	pma2, pmd2, pmo2, pmt2	2	2	75"	4
Boat	168" & 192"	pma2, pmd2, pmo2, pmt2	2	2	101"	4
Pill	96"	pma2, pmd2, pmo2, pmt2	2	2	12"	4
Pill	120"-144"	pma2, pmd2, pmo2, pmt2	2	2	53"	4
Pill	156" & 240"	pma2, pmd2, pmo2, pmt2	2	2	75"	4
Pill	168" & 192"	pma2, pmd2, pmo2, pmt2	2	2	101"	4

Sample Power Layout

Sample Layout

The following section provides an example of a typical Tributaire conference table with Pattern electrical.

Item	Qty	Shown Components
A	1	Pattern Power Infeed Kit
B	1	Tributaire Single-Circuit Rectangular Post-Leg Table (42" x 96") with Nacre In-Surface Pop-Up Power Module

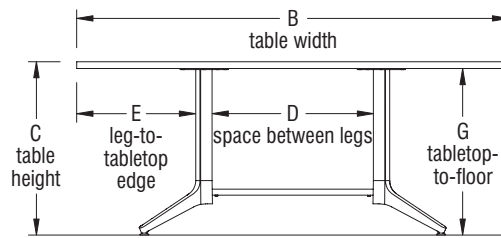


Model TJQAA - 42" x 96" Rectangular Conference Table, (PMA2 shown)

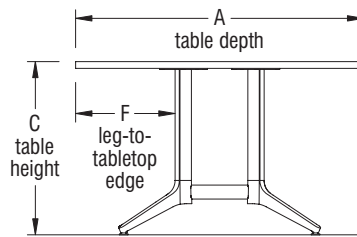
DIMENSIONS

Tributaire Rectangular Conference Tables (2-legs) (74P or KN edge)							
Model Number	A Table Depth	B Table Width	C Table Height	D Space Between Legs	E Leg-to-Tabletop Edge	F Leg-to-Tabletop Edge	G Tabletop-to-Floor
TJBAA4260	42"	60"	29"	14.88"	19.84"	13.58"	27.74"
TJBAA4272	42"	72"	29"	26.88"	19.84"	13.58"	27.74"
TJBAA4284	42"	84"	29"	38.88"	19.84"	13.58"	27.74"
TJBAA4860	48"	60"	29"	14.88"	19.84"	16.58"	27.74"
TJBAA4872	48"	72"	29"	26.88"	19.84"	16.58"	27.74"
TJBAA4884	48"	84"	29"	38.88"	19.84"	16.58"	27.74"
TJBAA6060	60"	60"	29"	14.88"	19.84"	19.08"	27.74"
TJBAA6072	60"	72"	29"	26.88"	19.84"	19.08"	27.74"
TJBAA6084	60"	84"	29"	38.88"	19.84"	19.08"	27.74"

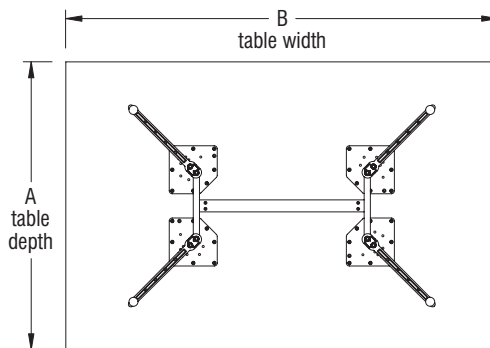
(model TJBAA4872 shown below)



(front view)



(side view)

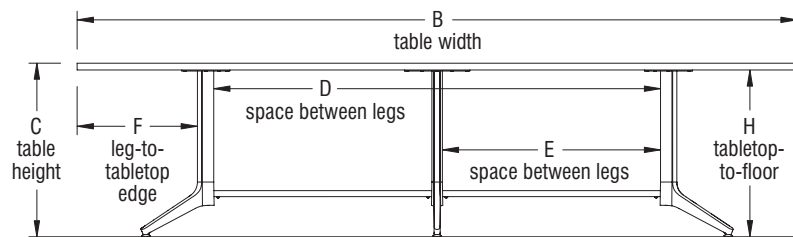


(bottom view)

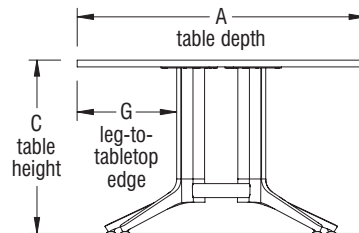
**DIMENSIONS
 (cont.)**

Tributaire Rectangular Conference Tables (3-legs) (74P or KN edge)								
Model Number	A Table Depth	B Table Width	C Table Height	D Space Between Legs	E Space Between Legs	F Leg-to-Tabletop Edge	G Leg-to-Tabletop Edge	H Tabletop-to-Floor
TJBAA4296	42"	96"	29"	50.89"	24.57"	19.84"	13.58"	27.74"
TJBAA42120	42"	120"	29"	74.47"	36.36"	19.84"	13.58"	27.74"
TJBAA42132	42"	132"	29"	86.47"	42.36"	20.05"	13.58"	27.74"
TJBAA42144	42"	144"	29"	98.47"	48.36"	20.05"	13.58"	27.74"
TJBAA4896	48"	96"	29"	50.89"	24.57"	19.84"	16.58"	27.74"
TJBAA48120	48"	120"	29"	74.47"	36.36"	20.05"	16.58"	27.74"
TJBAA48132	48"	132"	29"	86.47"	42.36"	20.05"	16.58"	27.74"
TJBAA48144	48"	144"	29"	98.47"	48.36"	20.05"	16.58"	27.74"
TJBAA6096	60"	96"	29"	50.89"	24.57"	19.84"	19.08"	27.74"
TJBAA60120	60"	120"	29"	74.47"	36.36"	20.05"	19.08"	27.74"
TJBAA60132	60"	132"	29"	86.47"	42.36"	20.05"	19.08"	27.74"
TJBAA60144	60"	144"	29"	98.47"	48.36"	20.05"	19.08"	27.74"

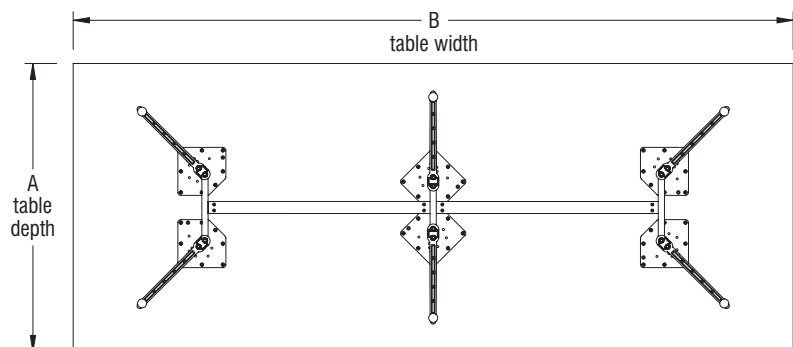
(model TJBAA48120 shown below)



(front view)



(side view)

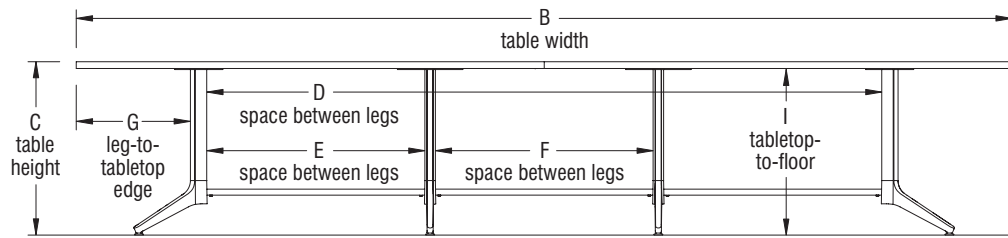


(bottom view)

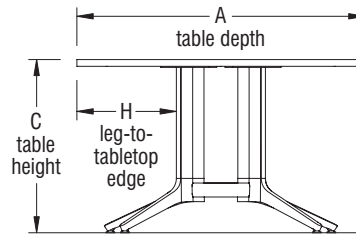
DIMENSIONS
 (cont.)

Tributaire Rectangular Conference Tables (4-legs) (74P or KN edge)									
Model Number	A Table Depth	B Table Width	C Table Height	D Space Between Legs	E Space Between Legs	F Space Between Legs	G Leg-to-Tabletop Edge	H Leg-to-Tabletop Edge	I Tabletop-to-Floor
TJBAA42156	42"	156"	29"	112.47"	36.36"	36.29"	19.03"	13.58"	27.74"
TJBAA42168	42"	168"	29"	124.51"	36.36"	48.29"	19.03"	13.58"	27.74"
TJBAA42192	42"	192"	29"	148.51"	42.37"	60.25"	19.03"	13.58"	27.74"
TJBAA48156	48"	156"	29"	112.47"	36.36"	36.29"	19.03"	16.58"	27.74"
TJBAA48168	48"	168"	29"	124.51"	36.36"	48.29"	19.03"	16.58"	27.74"
TJBAA48192	48"	192"	29"	148.51"	42.37"	60.25"	19.03"	16.58"	27.74"
TJBAA60156	60"	156"	29"	112.47"	36.36"	36.29"	19.03"	19.08"	27.74"
TJBAA60168	60"	168"	29"	124.51"	36.36"	48.29"	19.03"	19.08"	27.74"
TJBAA60192	60"	192"	29"	148.51"	42.37"	60.25"	19.03"	19.08"	27.74"

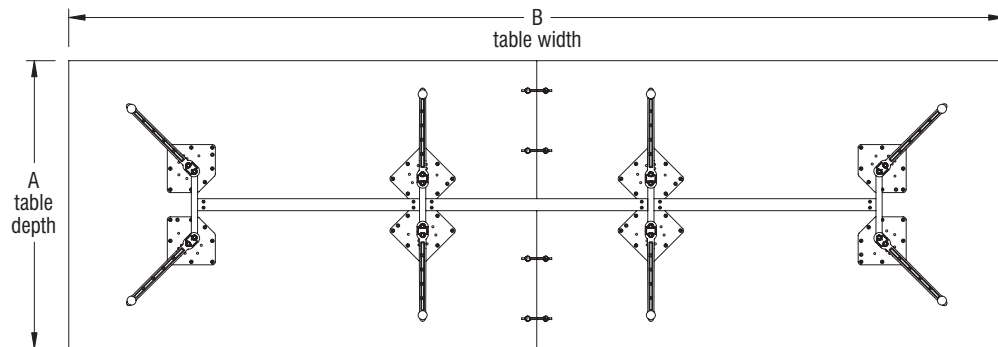
(model TJBAA48156 shown below)



(front view)



(side view)



(bottom view)

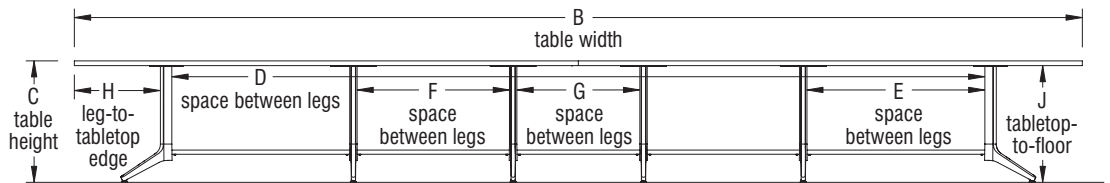
**DIMENSIONS
 (cont.)**

Tributaire Rectangular Conference Tables (6-legs) (74P or KN edge)

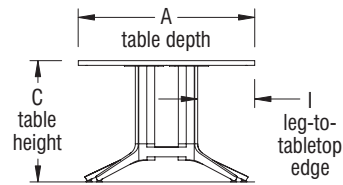
Model Number	A Table Depth	B Table Width	C Table Height	D Space Between Legs	E Space Between Legs
TJBAA42240	42"	240"	29"	193.59"	42.36"
TJBAA48240	48"	240"	29"	193.59"	42.36"
TJBAA60240	60"	240"	29"	193.59"	42.36"

Model Number	F Space Between Legs	G Space Between Legs	H Leg-to-Tabletop Edge	I Leg-to-Tabletop Edge	J Tabletop-to-Floor
TJBAA42240	36.28"	29.29"	20.48"	13.58"	27.74"
TJBAA48240	36.28"	29.29"	20.48"	16.58"	27.74"
TJBAA60240	36.28"	29.29"	20.48"	19.08"	27.74"

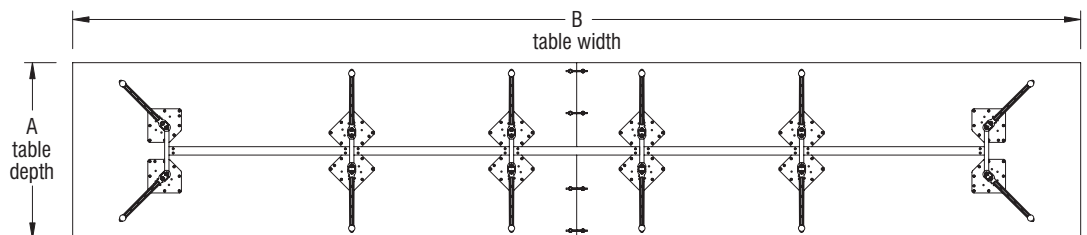
(model TJBAA48240 shown below)



(front view)



(side view)

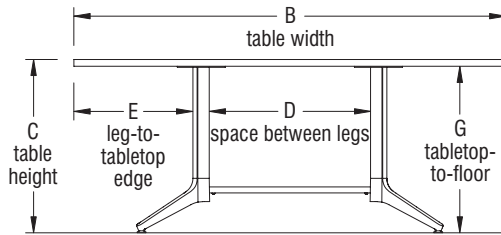


(bottom view)

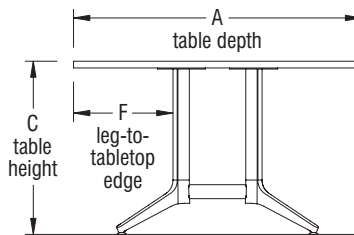
DIMENSIONS
 (cont.)

Tributaire Boat Conference Tables (2-legs) (74P or KN edge)							
Model Number	A Table Depth	B Table Width	C Table Height	D Space Between Legs	E Leg-to-Tabletop Edge	F Leg-to-Tabletop Edge	G Tabletop-to-Floor
TJBAT4260	42"	60"	29"	14.88"	19.84"	13.58"	27.74"
TJBAT4272	42"	72"	29"	26.88"	19.84"	13.58"	27.74"
TJBAT4284	42"	84"	29"	38.88"	19.84"	13.58"	27.74"
TJBAT4860	48"	60"	29"	14.88"	19.84"	16.58"	27.74"
TJBAT4872	48"	72"	29"	26.88"	19.84"	16.58"	27.74"
TJBAT4884	48"	84"	29"	38.88"	19.84"	16.58"	27.74"
TJBAT6060	60"	60"	29"	14.88"	19.84"	19.08"	27.74"
TJBAT6072	60"	72"	29"	26.88"	19.84"	19.08"	27.74"
TJBAT6084	60"	84"	29"	38.88"	19.84"	19.08"	27.74"

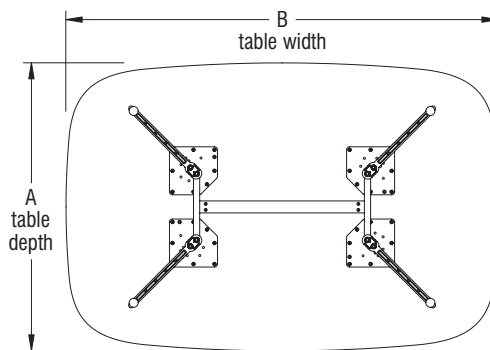
(model TJBAT4872 shown below)



(front view)



(side view)

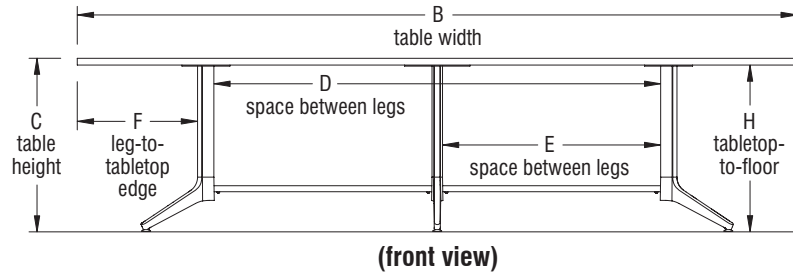


(bottom view)

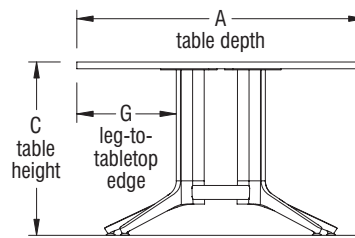
**DIMENSIONS
 (cont.)**

Tributaire Boat Conference Tables (3-legs) (74P or KN edge)								
Model Number	A Table Depth	B Table Width	C Table Height	D Space Between Legs	E Space Between Legs	F Leg-to-Tabletop Edge	G Leg-to-Tabletop Edge	H Tabletop-to-Floor
TJBAT4296	42"	96"	29"	50.46"	24.35"	20.05"	13.58"	27.74"
TJBAT42120	42"	120"	29"	74.46"	36.35"	20.05"	13.58"	27.74"
TJBAT42132	42"	132"	29"	86.46"	42.35"	20.05"	13.58"	27.74"
TJBAT42144	42"	144"	29"	98.46"	48.35"	20.05"	13.58"	27.74"
TJBAT4896	48"	96"	29"	50.88"	24.56"	19.84"	16.58"	27.74"
TJBAT48120	48"	120"	29"	74.46"	36.35"	20.05"	16.58"	27.74"
TJBAT48132	48"	132"	29"	86.46"	42.35"	20.05"	16.58"	27.74"
TJBAT48144	48"	144"	29"	98.46"	48.35"	20.05"	16.58"	27.74"
TJBAT6096	60"	96"	29"	50.88"	24.56"	19.84"	19.08"	27.74"
TJBAT60120	60"	120"	29"	74.46"	36.35"	20.05"	19.08"	27.74"
TJBAT60132	60"	132"	29"	86.46"	42.35"	20.05"	19.08"	27.74"
TJBAT60144	60"	144"	29"	98.46"	48.35"	20.05"	19.08"	27.74"

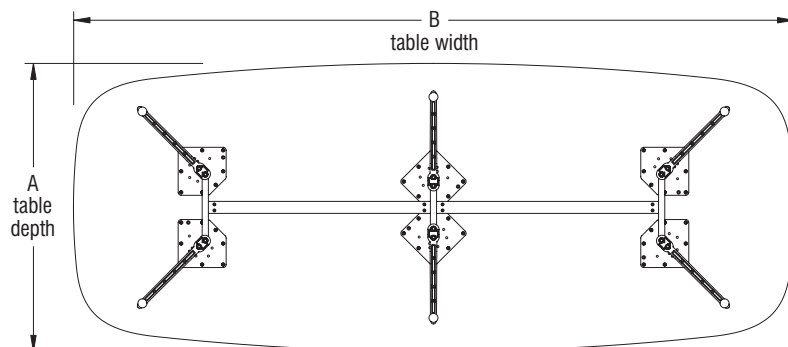
(model TJBAT48120 shown below)



(front view)



(side view)

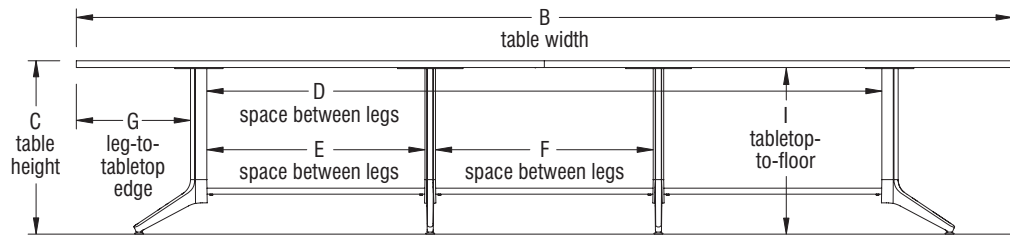


(bottom view)

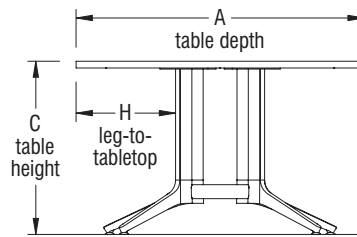
DIMENSIONS
 (cont.)

Tributaire Boat Conference Tables (4-legs) (74P or KN edge)									
Model Number	A Table Depth	B Table Width	C Table Height	D Space Between Legs	E Space Between Legs	F Space Between Legs	G Leg-to-Tabletop Edge	H Leg-to-Tabletop Edge	I Tabletop-to-Floor
TJBAT42156	42"	156"	29"	112.51"	36.35"	36.29"	19.03"	13.58"	27.74"
TJBAT42168	42"	168"	29"	124.51"	36.35"	48.29"	19.03"	13.58"	27.74"
TJBAT42192	42"	192"	29"	148.51"	42.37"	60.25"	19.03"	13.58"	27.74"
TJBAT48156	48"	156"	29"	112.51"	36.35"	36.29"	19.03"	16.58"	27.74"
TJBAT48168	48"	168"	29"	124.51"	36.35"	48.29"	19.03"	16.58"	27.74"
TJBAT48192	48"	192"	29"	148.51"	42.37"	60.25"	19.03"	16.58"	27.74"
TJBAT60156	60"	156"	29"	112.51"	36.35"	36.29"	19.03"	19.08"	27.74"
TJBAT60168	60"	168"	29"	124.51"	36.35"	48.29"	19.03"	19.08"	27.74"
TJBAT60192	60"	192"	29"	148.51"	42.37"	60.25"	19.03"	19.08"	27.74"

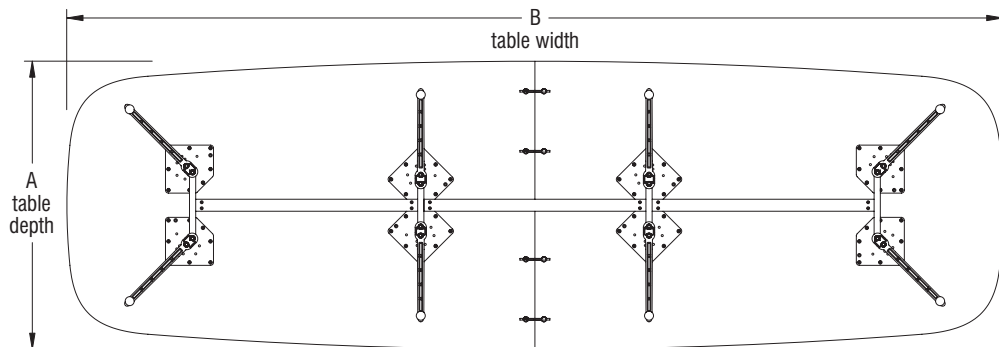
(model TJBAT48156 shown below)



(front view)



(side view)



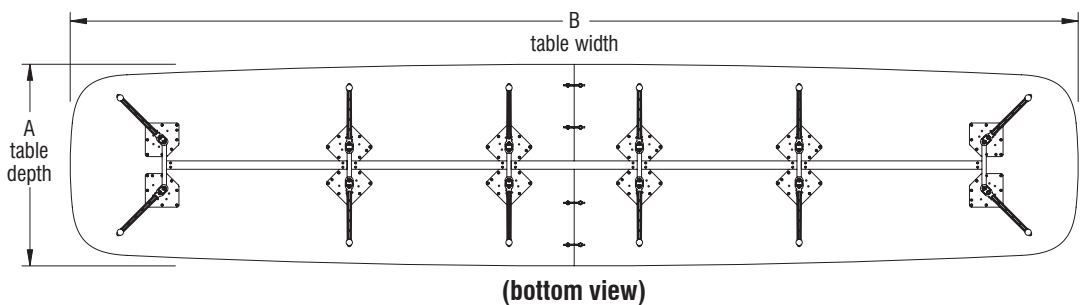
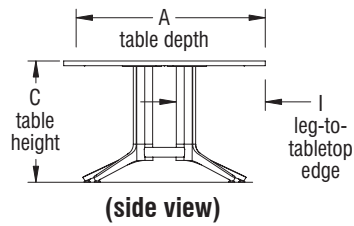
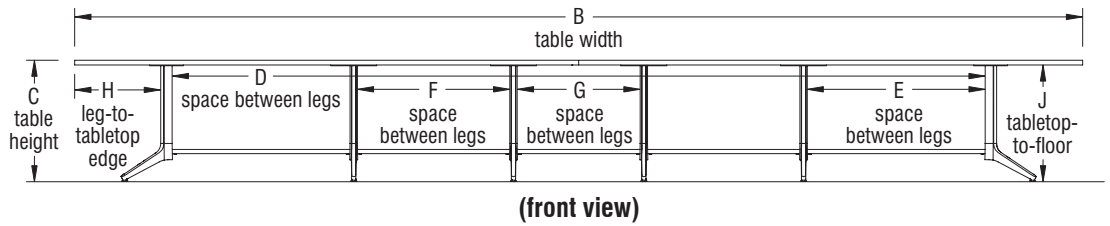
(bottom view)

**DIMENSIONS
 (cont.)**

Tributaire Boat Conference Tables (6-legs) (74P or KN edge)					
Model Number	A Table Depth	B Table Width	C Table Height	D Space Between Legs	E Space Between Legs
TJBAT42240	42"	240"	29"	193.59"	42.36"
TJBAT48240	48"	240"	29"	193.59"	42.36"
TJBAT60240	60"	240"	29"	193.59"	42.36"

Model Number	F Space Between Legs	G Space Between Legs	H Leg-to-Tabletop Edge	I Leg-to-Tabletop Edge	J Tabletop-to-Floor
TJBAT42240	36.28"	29.29"	20.49"	13.58"	27.74"
TJBAT48240	36.28"	29.29"	20.49"	16.58"	27.74"
TJBAT60240	36.28"	29.29"	20.49"	19.08"	27.74"

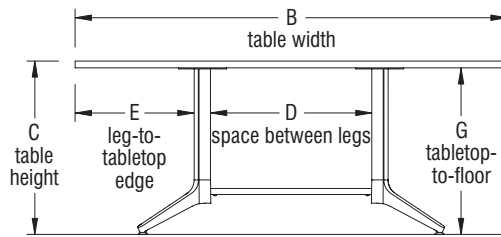
(model TJBAT48240 shown below)



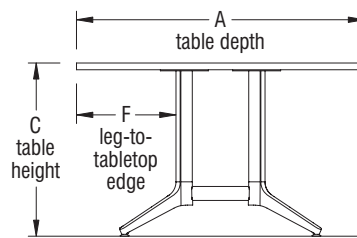
DIMENSIONS
 (cont.)

Tributaire Pill Conference Tables (2-legs) (74P or KN edge)							
Model Number	A Table Depth	B Table Width	C Table Height	D Space Between Legs	E Leg-to-Tabletop Edge	F Leg-to-Tabletop Edge	G Tabletop-to-Floor
TJBAV4260	42"	60"	29"	14.88"	19.84"	13.58"	27.74"
TJBAV4272	42"	72"	29"	26.88"	19.84"	13.58"	27.74"
TJBAV4284	42"	84"	29"	38.88"	19.84"	13.58"	27.74"
TJBAV4860	48"	60"	29"	14.88"	19.84"	16.58"	27.74"
TJBAV4872	48"	72"	29"	26.88"	19.84"	16.58"	27.74"
TJBAV4884	48"	84"	29"	38.88"	19.84"	16.58"	27.74"
TJBAV6060	60"	60"	29"	14.88"	19.84"	19.08"	27.74"
TJBAV6072	60"	72"	29"	26.88"	19.84"	19.08"	27.74"
TJBAV6084	60"	84"	29"	38.88"	19.84"	19.08"	27.74"

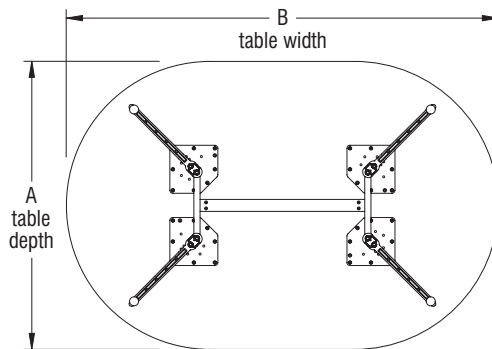
(model TJBAV4872 shown below)



(front view)



(side view)

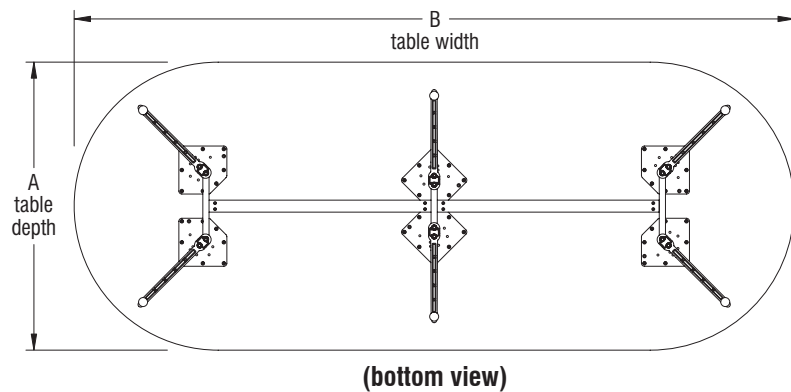
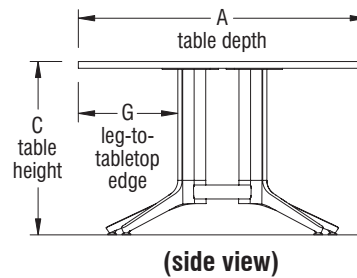
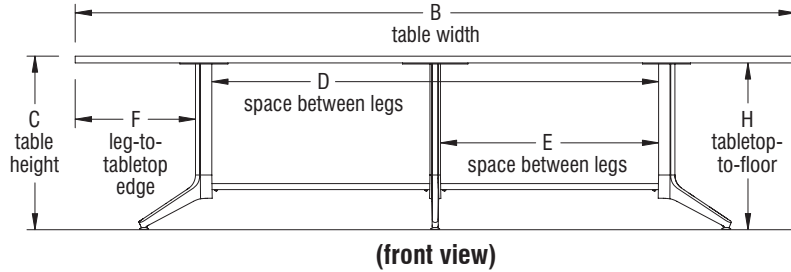


(bottom view)

**DIMENSIONS
 (cont.)**

Tributaire Pill Conference Tables (3-legs) (74P or KN edge)								
Model Number	A Table Depth	B Table Width	C Table Height	D Space Between Legs	E Space Between Legs	F Leg-to-Tabletop Edge	G Leg-to-Tabletop Edge	H Tabletop-to-Floor
TJBAV4296	42"	96"	29"	50.89"	24.56"	19.84"	13.58"	27.74"
TJBAV42120	42"	120"	29"	74.47"	36.35"	20.05"	13.58"	27.74"
TJBAV42132	42"	132"	29"	86.47"	42.35"	20.05"	13.58"	27.74"
TJBAV42144	42"	144"	29"	98.47"	48.35"	20.05"	13.58"	27.74"
TJBAV4896	48"	96"	29"	50.89"	24.56"	19.84"	16.58"	27.74"
TJBAV48120	48"	120"	29"	74.47"	36.35"	20.05"	16.58"	27.74"
TJBAV48132	48"	132"	29"	86.47"	42.35"	20.05"	16.58"	27.74"
TJBAV48144	48"	144"	29"	98.47"	48.35"	20.05"	16.58"	27.74"
TJBAV6096	60"	96"	29"	50.89"	24.56"	19.84"	19.08"	27.74"
TJBAV60120	60"	120"	29"	74.47"	36.35"	20.05"	19.08"	27.74"
TJBAV60132	60"	132"	29"	86.47"	42.35"	20.05"	19.08"	27.74"
TJBAV60144	60"	144"	29"	98.47"	48.35"	20.05"	19.08"	27.74"

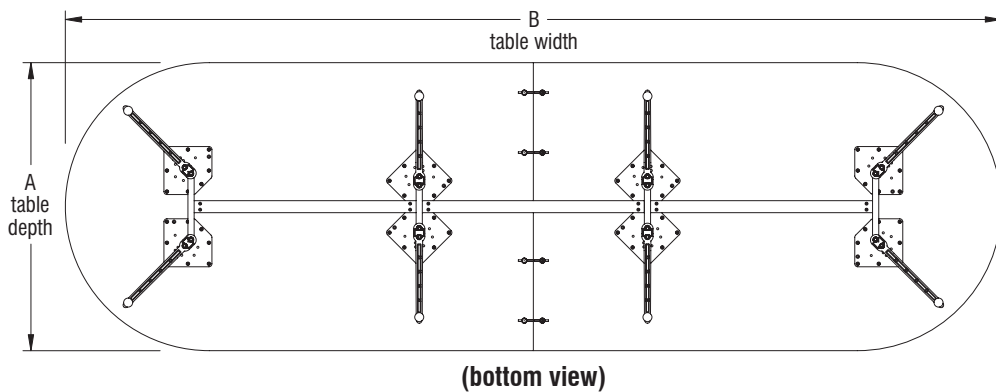
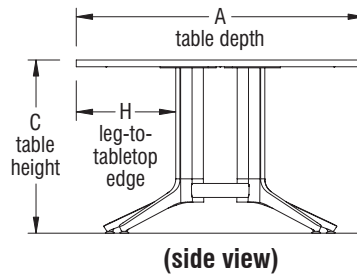
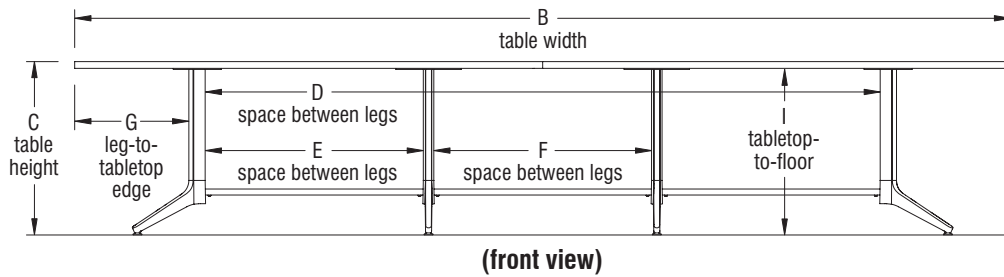
(model TJBAV48120 shown below)



DIMENSIONS
 (cont.)

Tributaire Pill Conference Tables (4-legs) (74P or KN edge)									
Model Number	A Table Depth	B Table Width	C Table Height	D Space Between Legs	E Space Between Legs	F Space Between Legs	G Leg-to-Tabletop Edge	H Leg-to-Tabletop Edge	I Tabletop-to-Floor
TJBAV42156	42"	156"	29"	112.50"	36.35"	36.29"	19.03"	13.58"	27.74"
TJBAV42168	42"	168"	29"	124.50"	36.35"	48.29"	19.03"	13.58"	27.74"
TJBAV42192	42"	192"	29"	148.50"	42.37"	60.25"	19.03"	13.58"	27.74"
TJBAV48156	48"	156"	29"	112.50"	36.35"	36.29"	19.03"	16.58"	27.74"
TJBAV48168	48"	168"	29"	124.50"	36.35"	48.29"	19.03"	16.58"	27.74"
TJBAV48192	48"	192"	29"	148.50"	42.37"	60.25"	19.03"	16.58"	27.74"
TJBAV60156	60"	156"	29"	112.50"	36.35"	36.29"	19.03"	19.08"	27.74"
TJBAV60168	60"	168"	29"	124.50"	36.35"	48.29"	19.03"	19.08"	27.74"
TJBAV60192	60"	192"	29"	148.50"	42.37"	60.25"	19.03"	19.08"	27.74"

(model TJBAV48156 shown below)

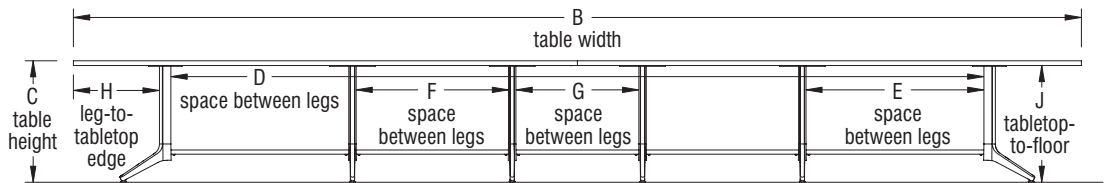


**DIMENSIONS
 (cont.)**

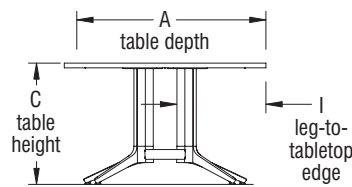
Tributaire Pill Conference Tables (6-legs) (74P or KN edge)					
Model Number	A Table Depth	B Table Width	C Table Height	D Space Between Legs	E Space Between Legs
TJBAV42240	42"	240"	29"	193.58"	42.36"
TJBAV48240	48"	240"	29"	193.58"	42.36"
TJBAV60240	60"	240"	29"	193.58"	42.36"

Model Number	F Space Between Legs	G Space Between Legs	H Leg-to-Tabletop Edge	I Leg-to-Tabletop Edge	J Tabletop-to-Floor
TJBAV42240	36.28"	29.29"	20.49"	13.58"	27.74"
TJBAV48240	36.28"	29.29"	20.49"	16.58"	27.74"
TJBAV60240	36.28"	29.29"	20.49"	19.08"	27.74"

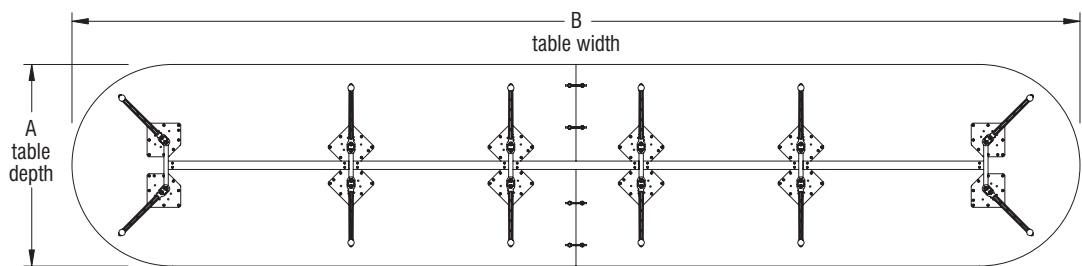
(model TJBAV48240 shown below)



(front view)



(side view)

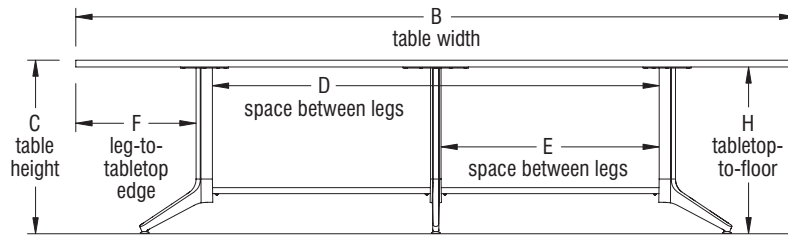


(bottom view)

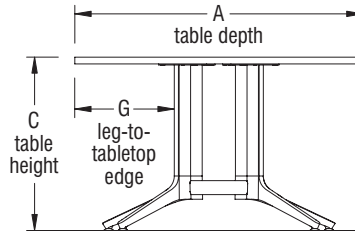
DIMENSIONS
 (cont.)

Tributaire Rectangular Single-Circuit Conference Tables (3-legs) (74P or KN edge)								
Model Number	A Table Depth	B Table Width	C Table Height	D Space Between Legs	E Space Between Legs	F Leg-to-Tabletop Edge	G Leg-to-Tabletop Edge	H Tabletop-to-Floor
TJQAA4296	42"	96"	29"	50.89"	24.57"	19.84"	13.58"	27.74"
TJQAA42120	42"	120"	29"	74.47"	36.36"	19.84"	13.58"	27.74"
TJQAA42132	42"	132"	29"	86.47"	42.36"	20.05"	13.58"	27.74"
TJQAA42144	42"	144"	29"	98.47"	48.36"	20.05"	13.58"	27.74"
TJQAA4896	48"	96"	29"	50.89"	24.57"	19.84"	16.58"	27.74"
TJQAA48120	48"	120"	29"	74.47"	36.36"	20.05"	16.58"	27.74"
TJQAA48132	48"	132"	29"	86.47"	42.36"	20.05"	16.58"	27.74"
TJQAA48144	48"	144"	29"	98.47"	48.36"	20.05"	16.58"	27.74"
TJQAA6096	60"	96"	29"	50.89"	24.57"	19.84"	19.08"	27.74"
TJQAA60120	60"	120"	29"	74.47"	36.36"	20.05"	19.08"	27.74"
TJQAA60132	60"	132"	29"	86.47"	42.36"	20.05"	19.08"	27.74"
TJQAA60144	60"	144"	29"	98.47"	48.36"	20.05"	19.08"	27.74"

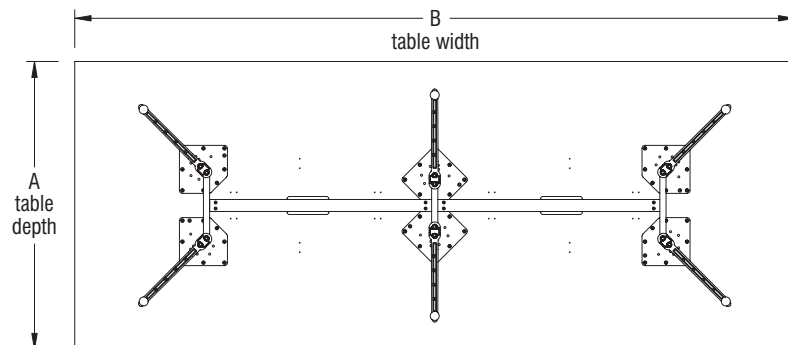
(model TJQAA48120 shown below)



(front view)



(side view)

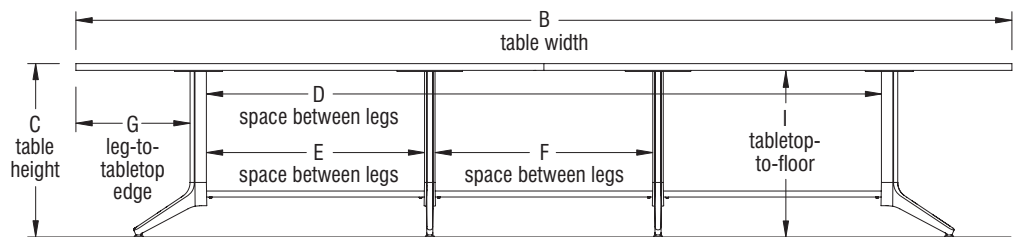


(bottom view)

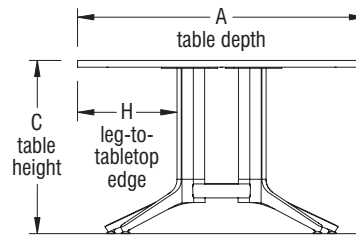
**DIMENSIONS
 (cont.)**

Tributaire Rectangular Single-Circuit Conference Tables (4-legs) (74P or KN edge)									
Model Number	A Table Depth	B Table Width	C Table Height	D Space Between Legs	E Space Between Legs	F Space Between Legs	G Leg-to-Tabletop Edge	H Leg-to-Tabletop Edge	I Tabletop-to-Floor
TJQAA42156	42"	156"	29"	112.47"	36.36"	36.29"	19.03"	13.58"	27.74"
TJQAA42168	42"	168"	29"	124.51"	36.36"	48.29"	19.03"	13.58"	27.74"
TJQAA42192	42"	192"	29"	148.51"	42.37"	60.25"	19.03"	13.58"	27.74"
TJQAA48156	48"	156"	29"	112.47"	36.36"	36.29"	19.03"	16.58"	27.74"
TJQAA48168	48"	168"	29"	124.51"	36.36"	48.29"	19.03"	16.58"	27.74"
TJQAA48192	48"	192"	29"	148.51"	42.37"	60.25"	19.03"	16.58"	27.74"
TJQAA60156	60"	156"	29"	112.47"	36.36"	36.29"	19.03"	19.08"	27.74"
TJQAA60168	60"	168"	29"	124.51"	36.36"	48.29"	19.03"	19.08"	27.74"
TJQAA60192	60"	192"	29"	148.51"	42.37"	60.25"	19.03"	19.08"	27.74"

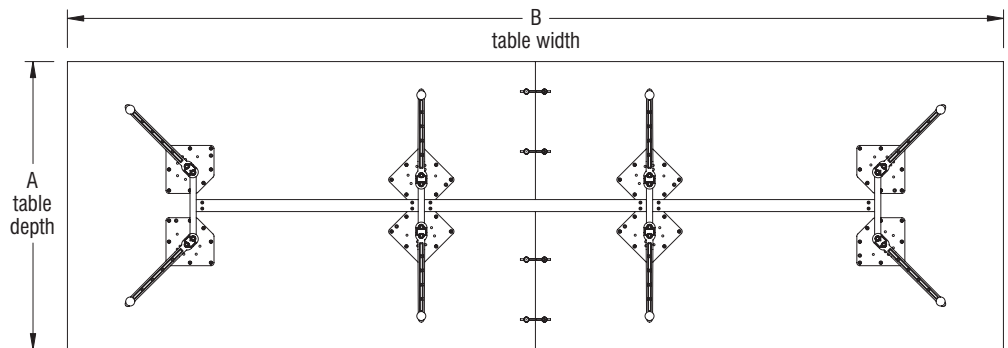
(model TJQAA48156 shown below)



(front view)



(side view)



(bottom view)

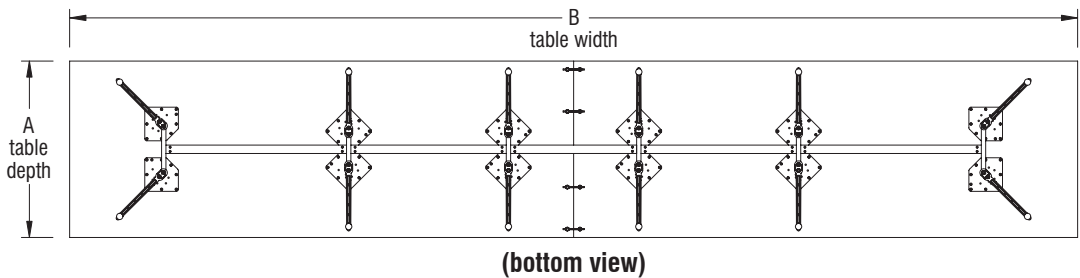
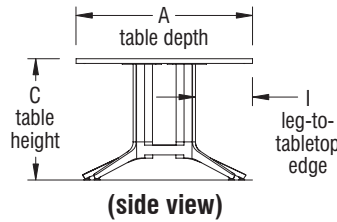
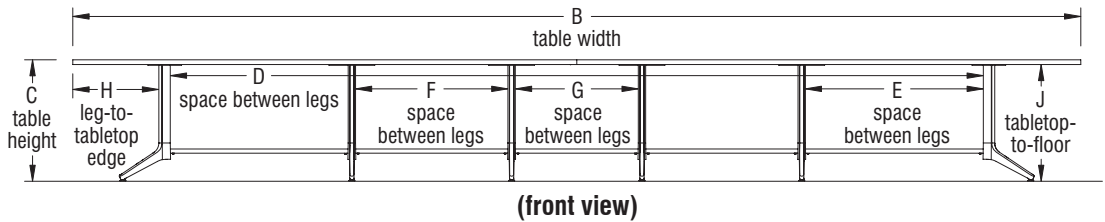
DIMENSIONS
(cont.)

Tributaire Rectangular Single-Circuit Conference Tables (6-legs) (74P or KN edge)

Model Number	A Table Depth	B Table Width	C Table Height	D Space Between Legs	E Space Between Legs
TJQAA42240	42"	240"	29"	193.59"	42.36"
TJQAA48240	48"	240"	29"	193.59"	42.36"
TJQAA60240	60"	240"	29"	193.59"	42.36"

Model Number	F Space Between Legs	G Space Between Legs	H Leg-to-Tabletop Edge	I Leg-to-Tabletop Edge	J Tabletop-to-Floor
TJQAA42240	36.28"	29.29"	20.48"	13.58"	27.74"
TJQAA48240	36.28"	29.29"	20.48"	16.58"	27.74"
TJQAA60240	36.28"	29.29"	20.48"	19.08"	27.74"

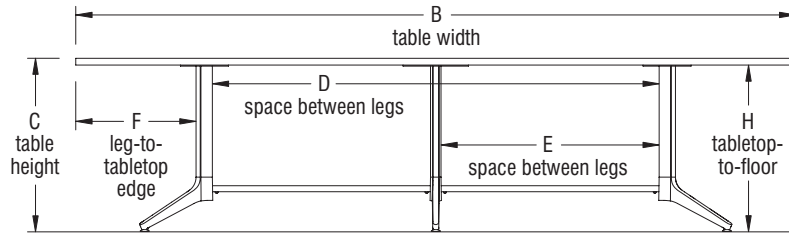
(model TJQAA48240 shown below)



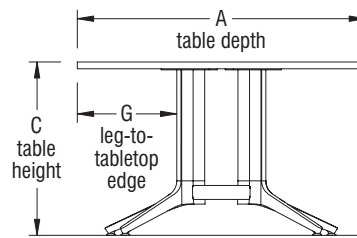
**DIMENSIONS
 (cont.)**

Tributaire Boat Single-Circuit Conference Tables (3-legs) (74P or KN edge)								
Model Number	A Table Depth	B Table Width	C Table Height	D Space Between Legs	E Space Between Legs	F Leg-to-Tabletop Edge	G Leg-to-Tabletop Edge	H Tabletop-to-Floor
TJQAT4296	42"	96"	29"	50.46"	24.35"	20.05"	13.58"	27.74"
TJQAT42120	42"	120"	29"	74.46"	36.35"	20.05"	13.58"	27.74"
TJQAT42132	42"	132"	29"	86.46"	42.35"	20.05"	13.58"	27.74"
TJQAT42144	42"	144"	29"	98.46"	48.35"	20.05"	13.58"	27.74"
TJQAT4896	48"	96"	29"	50.88"	24.56"	19.84"	16.58"	27.74"
TJQAT48120	48"	120"	29"	74.46"	36.35"	20.05"	16.58"	27.74"
TJQAT48132	48"	132"	29"	86.46"	42.35"	20.05"	16.58"	27.74"
TJQAT48144	48"	144"	29"	98.46"	48.35"	20.05"	16.58"	27.74"
TJQAT6096	60"	96"	29"	50.88"	24.56"	19.84"	19.08"	27.74"
TJQAT60120	60"	120"	29"	74.46"	36.35"	20.05"	19.08"	27.74"
TJQAT60132	60"	132"	29"	86.46"	42.35"	20.05"	19.08"	27.74"
TJQAT60144	60"	144"	29"	98.46"	48.35"	20.05"	19.08"	27.74"

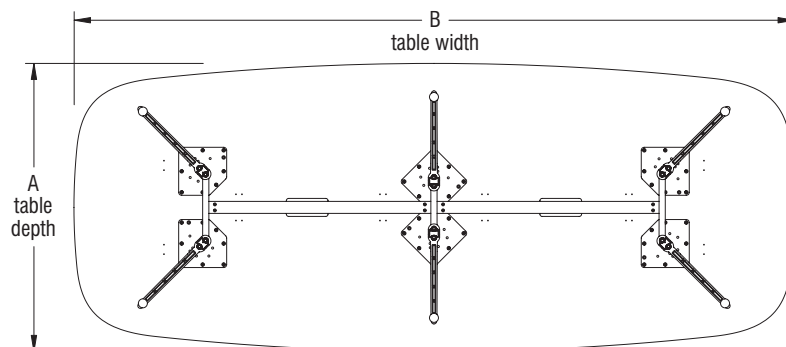
(model TJQAT48120 shown below)



(front view)



(side view)

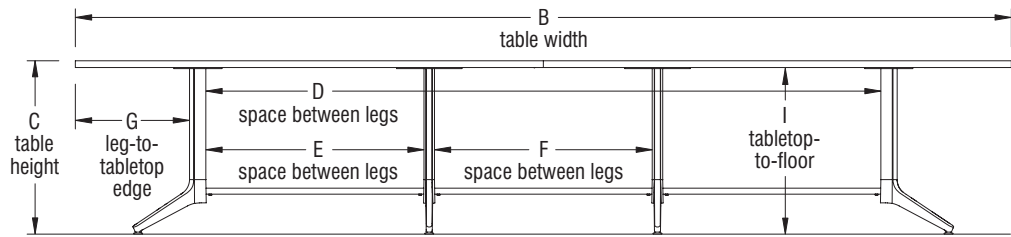


(bottom view)

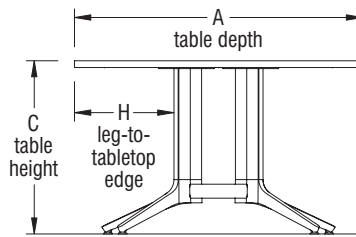
DIMENSIONS
 (cont.)

Tributaire Boat Single-Circuit Conference Tables (4-legs) (74P or KN edge)									
Model Number	A Table Depth	B Table Width	C Table Height	D Space Between Legs	E Space Between Legs	F Space Between Legs	G Leg-to-Tabletop Edge	H Leg-to-Tabletop Edge	I Tabletop-to-Floor
TJQAT42156	42"	156"	29"	112.51"	36.35"	36.29"	19.03"	13.58"	27.74"
TJQAT42168	42"	168"	29"	124.51"	36.35"	48.29"	19.03"	13.58"	27.74"
TJQAT42192	42"	192"	29"	148.51"	42.37"	60.25"	19.03"	13.58"	27.74"
TJQAT48156	48"	156"	29"	112.51"	36.35"	36.29"	19.03"	16.58"	27.74"
TJQAT48168	48"	168"	29"	124.51"	36.35"	48.29"	19.03"	16.58"	27.74"
TJQAT48192	48"	192"	29"	148.51"	42.37"	60.25"	19.03"	16.58"	27.74"
TJQAT60156	60"	156"	29"	112.51"	36.35"	36.29"	19.03"	19.08"	27.74"
TJQAT60168	60"	168"	29"	124.51"	36.35"	48.29"	19.03"	19.08"	27.74"
TJQAT60192	60"	192"	29"	148.51"	42.37"	60.25"	19.03"	19.08"	27.74"

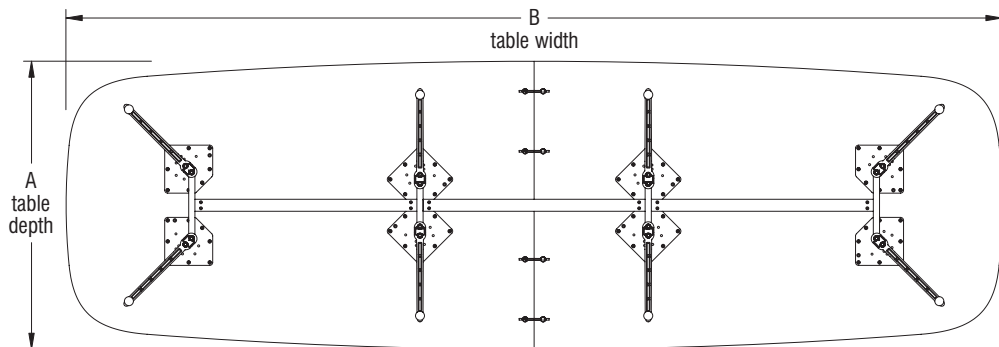
(model TJQAT48156 shown below)



(front view)



(side view)



(bottom view)

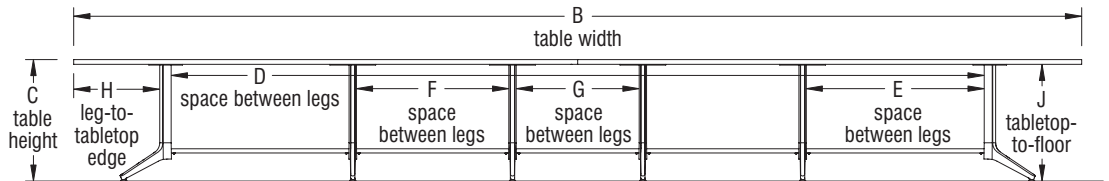
**DIMENSIONS
 (cont.)**

Tributaire Boat Single-Circuit Conference Tables (6-legs) (74P or KN edge)

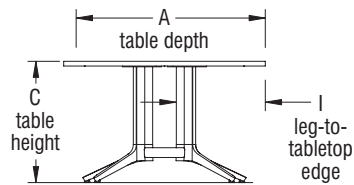
Model Number	A Table Depth	B Table Width	C Table Height	D Space Between Legs	E Space Between Legs
TJQAT42240	42"	240"	29"	193.59"	42.36"
TJQAT48240	48"	240"	29"	193.59"	42.36"
TJQAT60240	60"	240"	29"	193.59"	42.36"

Model Number	F Space Between Legs	G Space Between Legs	H Leg-to-Tabletop Edge	I Leg-to-Tabletop Edge	J Tabletop-to-Floor
TJQAT42240	36.28"	29.29"	20.49"	13.58"	27.74"
TJQAT48240	36.28"	29.29"	20.49"	16.58"	27.74"
TJQAT60240	36.28"	29.29"	20.49"	19.08"	27.74"

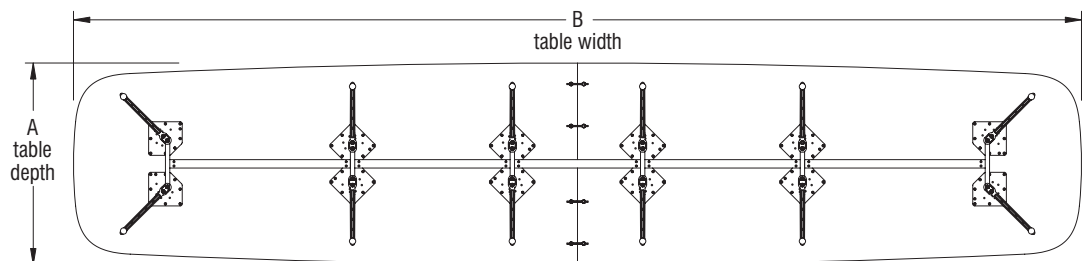
(model TJQAT48240 shown below)



(front view)



(side view)

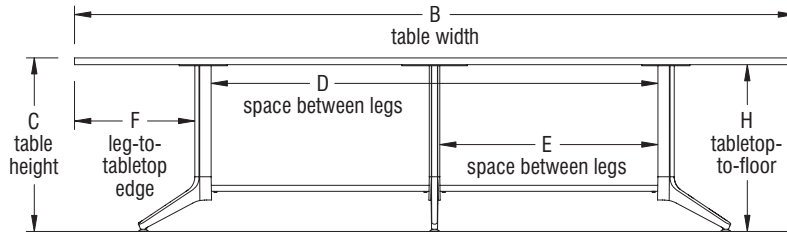


(bottom view)

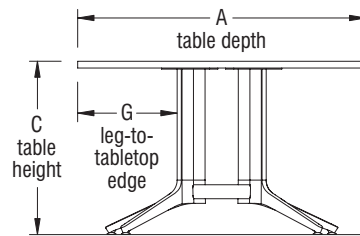
DIMENSIONS
 (cont.)

Tributaire Pill Single-Circuit Conference Tables (3-legs) (74P or KN edge)								
Model Number	A Table Depth	B Table Width	C Table Height	D Space Between Legs	E Space Between Legs	F Leg-to-Tabletop Edge	G Leg-to-Tabletop Edge	H Tabletop-to-Floor
TJQAV4296	42"	96"	29"	50.89"	24.56"	19.84"	13.58"	27.74"
TJQAV42120	42"	120"	29"	74.47"	36.35"	20.05"	13.58"	27.74"
TJQAV42132	42"	132"	29"	86.47"	42.35"	20.05"	13.58"	27.74"
TJQAV42144	42"	144"	29"	98.47"	48.35"	20.05"	13.58"	27.74"
TJQAV4896	48"	96"	29"	50.89"	24.56"	19.84"	16.58"	27.74"
TJQAV48120	48"	120"	29"	74.47"	36.35"	20.05"	16.58"	27.74"
TJQAV48132	48"	132"	29"	86.47"	42.35"	20.05"	16.58"	27.74"
TJQAV48144	48"	144"	29"	98.47"	48.35"	20.05"	16.58"	27.74"
TJQAV6096	60"	96"	29"	50.89"	24.56"	19.84"	19.08"	27.74"
TJQAV60120	60"	120"	29"	74.47"	36.35"	20.05"	19.08"	27.74"
TJQAV60132	60"	132"	29"	86.47"	42.35"	20.05"	19.08"	27.74"
TJQAV60144	60"	144"	29"	98.47"	48.35"	20.05"	19.08"	27.74"

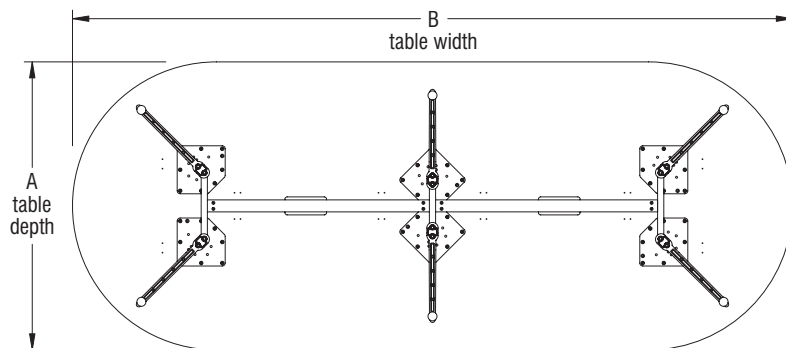
(model TJQAV48120 shown below)



(front view)



(side view)

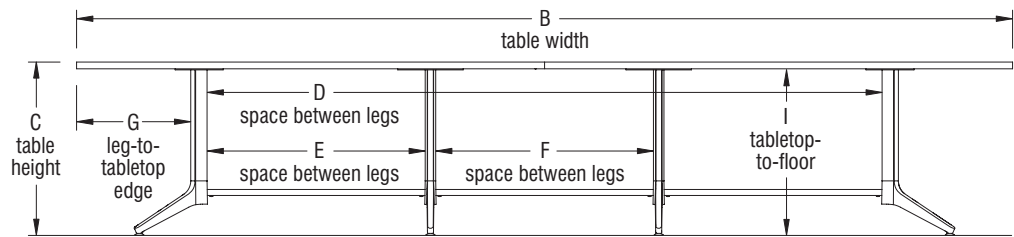


(bottom view)

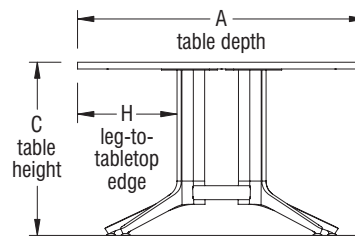
**DIMENSIONS
 (cont.)**

Tributaire Pill Single-Circuit Conference Tables (4-legs) (74P or KN edge)									
Model Number	A Table Depth	B Table Width	C Table Height	D Space Between Legs	E Space Between Legs	F Space Between Legs	G Leg-to-Tabletop Edge	H Leg-to-Tabletop Edge	I Tabletop-to-Floor
TJQAV42156	42"	156"	29"	112.50"	36.35"	36.29"	19.03"	13.58"	27.74"
TJQAV42168	42"	168"	29"	124.50"	36.35"	48.29"	19.03"	13.58"	27.74"
TJQAV42192	42"	192"	29"	148.50"	42.37"	60.25"	19.03"	13.58"	27.74"
TJQAV48156	48"	156"	29"	112.50"	36.35"	36.29"	19.03"	16.58"	27.74"
TJQAV48168	48"	168"	29"	124.50"	36.35"	48.29"	19.03"	16.58"	27.74"
TJQAV48192	48"	192"	29"	148.50"	42.37"	60.25"	19.03"	16.58"	27.74"
TJQAV60156	60"	156"	29"	112.50"	36.35"	36.29"	19.03"	19.08"	27.74"
TJQAV60168	60"	168"	29"	124.50"	36.35"	48.29"	19.03"	19.08"	27.74"
TJQAV60192	60"	192"	29"	148.50"	42.37"	60.25"	19.03"	19.08"	27.74"

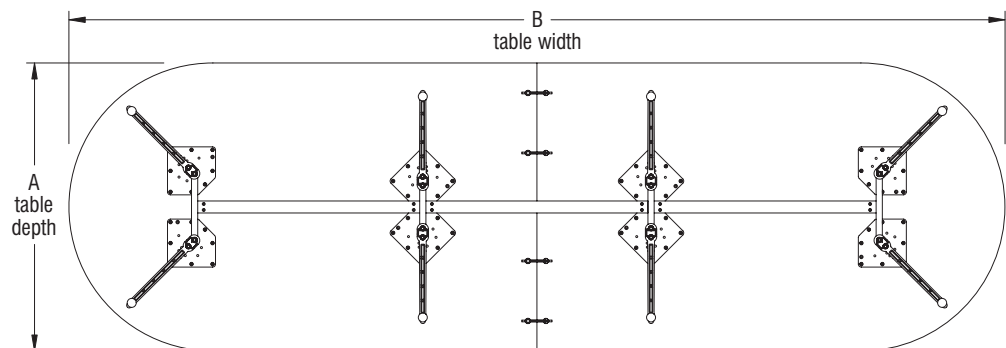
(model TJQAV48156 shown below)



(front view)



(side view)



(bottom view)

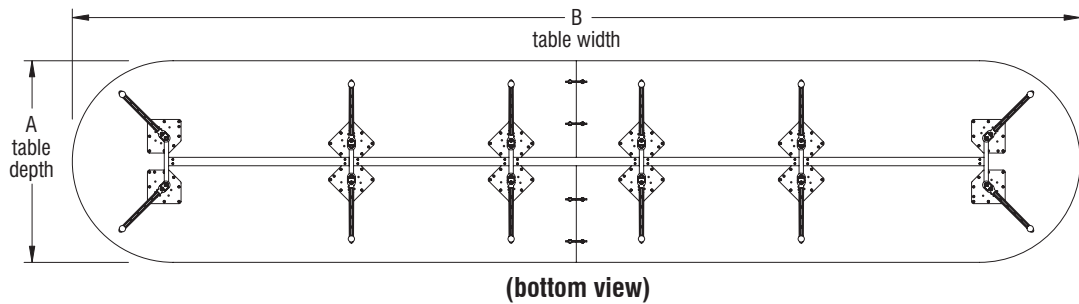
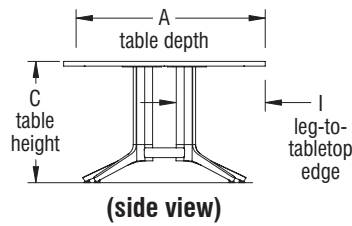
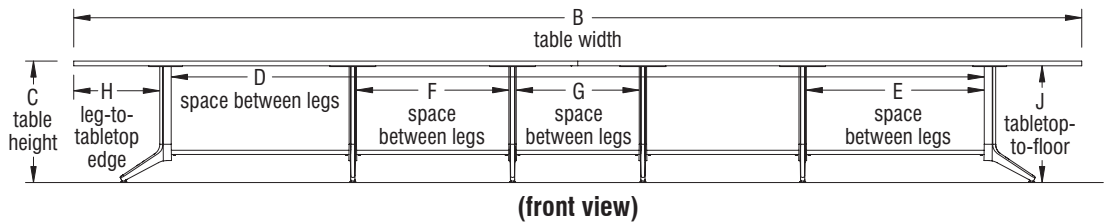
DIMENSIONS
 (cont.)

Tributaire Pill Single-Circuit Conference Tables (6-legs) (74P or KN edge)

Model Number	A Table Depth	B Table Width	C Table Height	D Space Between Legs	E Space Between Legs
TJQAV42240	42"	240"	29"	193.58"	42.36"
TJQAV48240	48"	240"	29"	193.58"	42.36"
TJQAV60240	60"	240"	29"	193.58"	42.36"

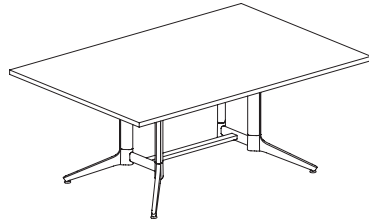
Model Number	F Space Between Legs	G Space Between Legs	H Leg-to-Tabletop Edge	I Leg-to-Tabletop Edge	J Tabletop-to-Floor
TJQAV42240	36.28"	29.29"	20.49"	13.58"	27.74"
TJQAV48240	36.28"	29.29"	20.49"	16.58"	27.74"
TJQAV60240	36.28"	29.29"	20.49"	19.08"	27.74"

(model TJQAV48240 shown below)



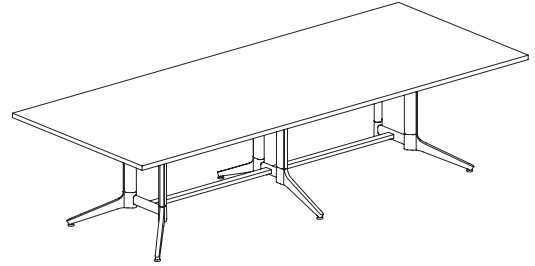
**STATEMENT OF
 LINE**

Tributaire Rectangular Conference Tables



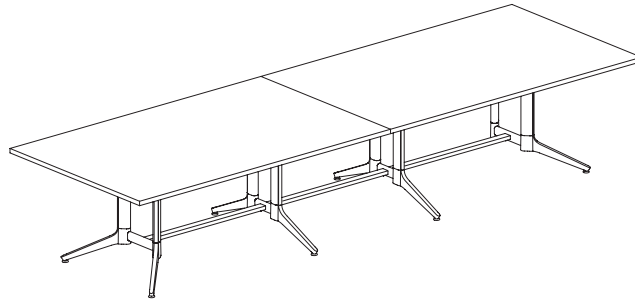
Rectangle
 (2-legs)

TJBAA4260	TJBAA4860	TJBAA6060
TJBAA4272	TJBAA4872	TJBAA6072
TJBAA4284	TJBAA4884	TJBAA6084



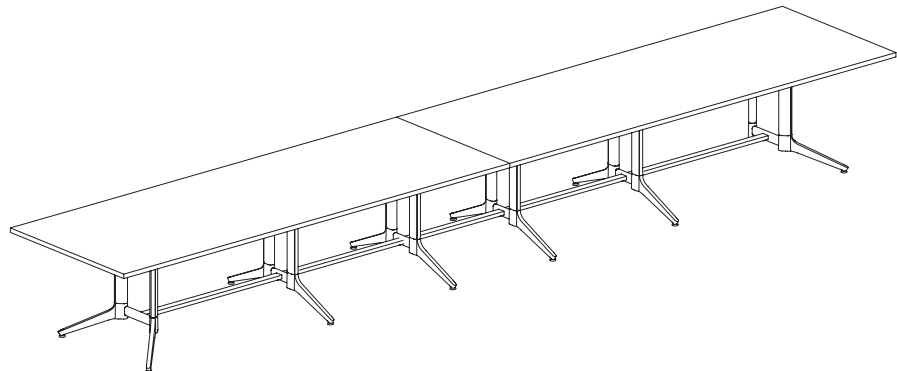
Rectangle
 (3-legs)

TJBAA4296	TJBAA4896	TJBAA6096
TJBAA42120	TJBAA48120	TJBAA60120
TJBAA42132	TJBAA48132	TJBAA60132
TJBAA42144	TJBAA48144	TJBAA60144



Rectangle
 (4-legs)

TJBAA42156	TJBAA48156	TJBAA60156
TJBAA42168	TJBAA48168	TJBAA60168
TJBAA42192	TJBAA48192	TJBAA60192

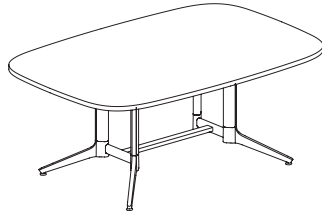


Rectangle
 (6-legs)

TJBAA42240	TJBAA48240	TJBAA60240
------------	------------	------------

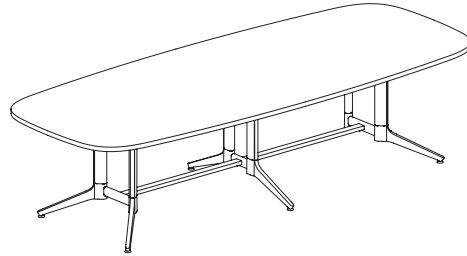
STATEMENT OF
 LINE (cont.)

Tributaire Boat Conference Tables



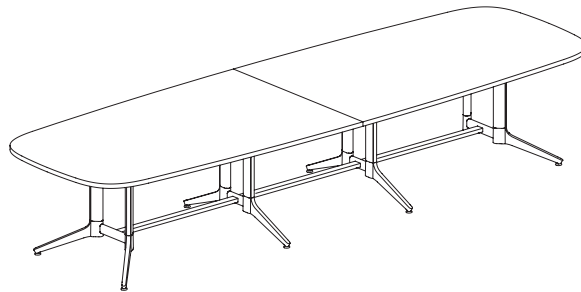
Boat
 (2-legs)

TJBAT4260	TJBAT4860	TJBAT6060
TJBAT4272	TJBAT4872	TJBAT6072
TJBAT4284	TJBAT4884	TJBAT6084



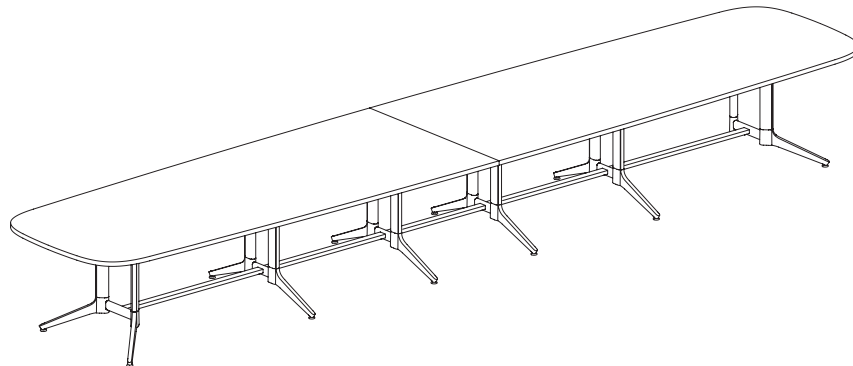
Boat
 (3-legs)

TJBAT4296	TJBAT4896	TJBAT6096
TJBAT42120	TJBAT48120	TJBAT60120
TJBAT42132	TJBAT48132	TJBAT60132
TJBAT42144	TJBAT48144	TJBAT60144



Boat
 (4-legs)

TJBAT42156	TJBAT48156	TJBAT60156
TJBAT42168	TJBAT48168	TJBAT60168
TJBAT42192	TJBAT48192	TJBAT60192

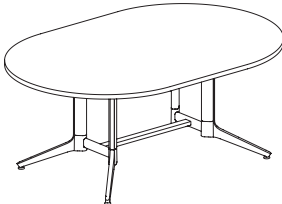


Boat
 (6-legs)

TJBAT42240	TJBAT48240	TJBAT60240
------------	------------	------------

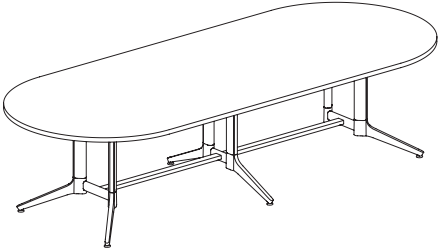
STATEMENT OF
 LINE (cont.)

Tributaire Pill Conference Tables



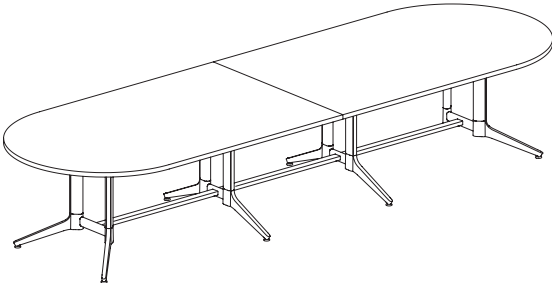
Pill
 (2-legs)

TJBAV4260	TJBAV4860	TJBAV6060
TJBAV4272	TJBAV4872	TJBAV6072
TJBAV4284	TJBAV4884	TJBAV6084



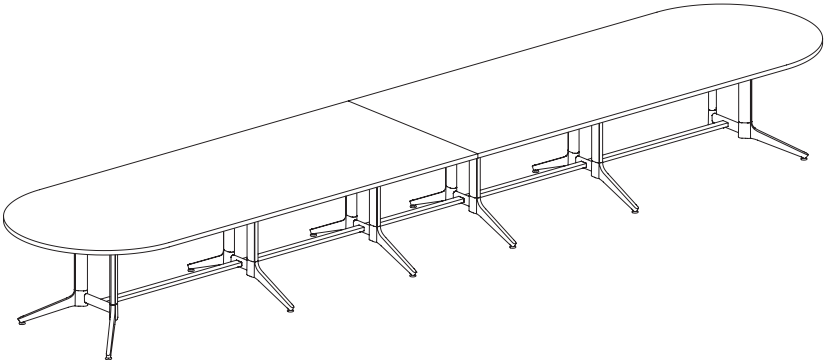
Pill
 (3-legs)

TJBAV4296	TJBAV4896	TJBAV6096
TJBAV42120	TJBAV48120	TJBAV60120
TJBAV42132	TJBAV48132	TJBAV60132
TJBAV42144	TJBAV48144	TJBAV60144



Pill
 (4-legs)

TJBAV42156	TJBAV48156	TJBAV60156
TJBAV42168	TJBAV48168	TJBAV60168
TJBAV42192	TJBAV48192	TJBAV60192

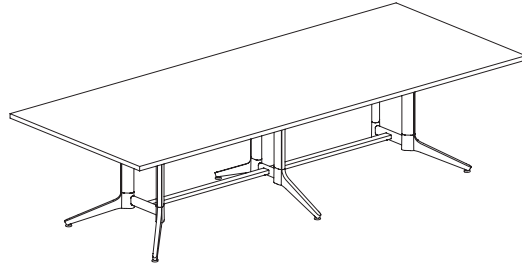


Pill
 (6-legs)

TJBAV42240	TJBAV48240	TJBAV60240
------------	------------	------------

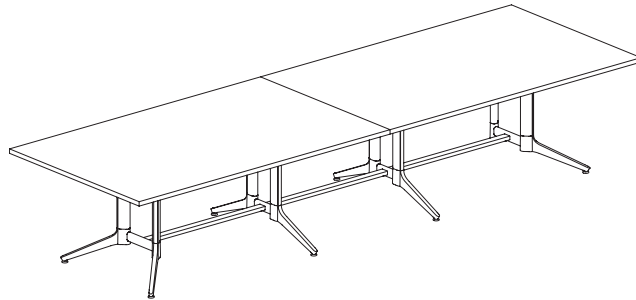
STATEMENT OF
 LINE (cont.)

Tributaire Single-Circuit Rectangular Conference Tables



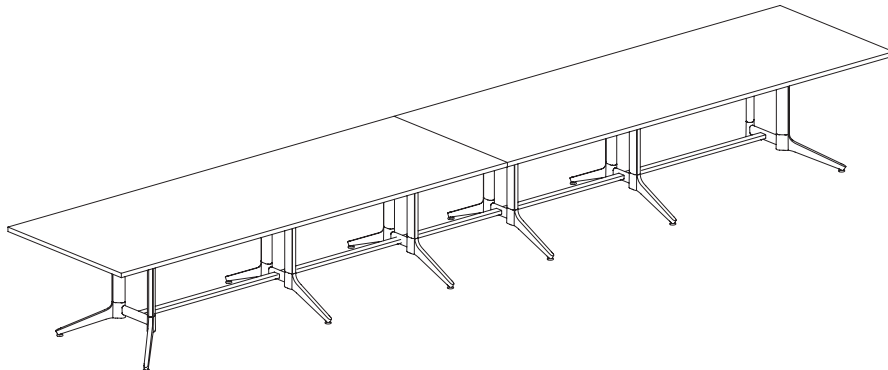
Rectangle
 (3-legs)

TJQAA4296	TJQAA4896	TJQAA6096
TJQAA42120	TJQAA48120	TJQAA60120
TJQAA42132	TJQAA48132	TJQAA60132
TJQAA42144	TJQAA48144	TJQAA60144



Rectangle
 (4-legs)

TJQAA42156	TJQAA48156	TJQAA60156
TJQAA42168	TJQAA48168	TJQAA60168
TJQAA42192	TJQAA48192	TJQAA60192

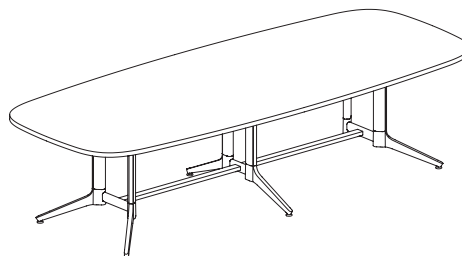


Rectangle
 (6-legs)

TJQAA42240	TJQAA48240	TJQAA60240
------------	------------	------------

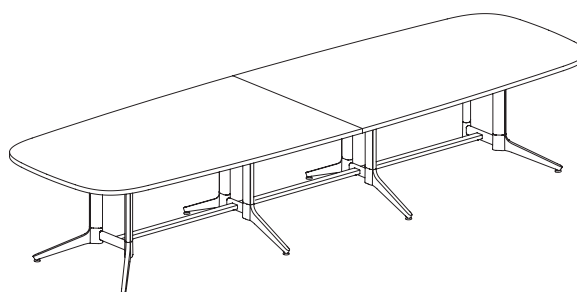
STATEMENT OF
 LINE (cont.)

Tributaire Single-Circuit Boat Conference Tables



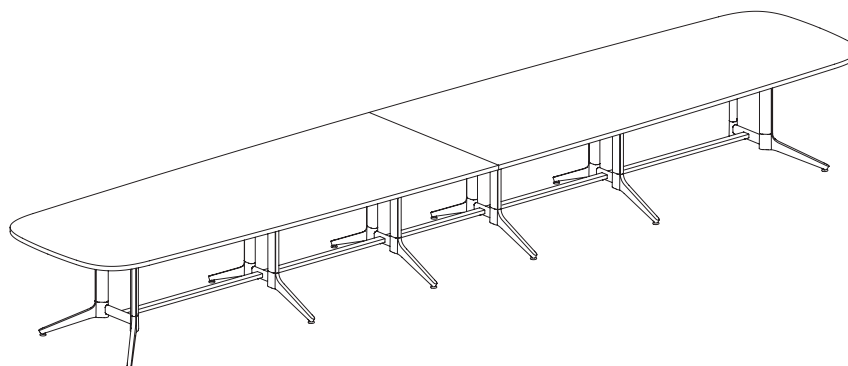
Boat
 (3-legs)

TJQAT4296	TJQAT4896	TJQAT6096
TJQAT42120	TJQAT48120	TJQAT60120
TJQAT42132	TJQAT48132	TJQAT60132
TJQAT42144	TJQAT48144	TJQAT60144



Boat
 (4-legs)

TJQAT42156	TJQAT48156	TJQAT60156
TJQAT42168	TJQAT48168	TJQAT60168
TJQAT42192	TJQAT48192	TJQAT60192

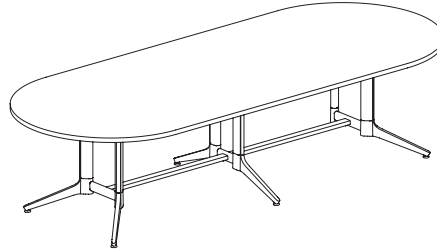


Boat
 (6-legs)

TJQAT42240	TJQAT48240	TJQAT60240
------------	------------	------------

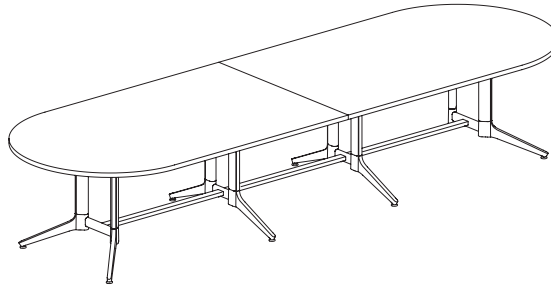
STATEMENT OF
 LINE (cont.)

Tributaire Single-Circuit Pill Conference Tables



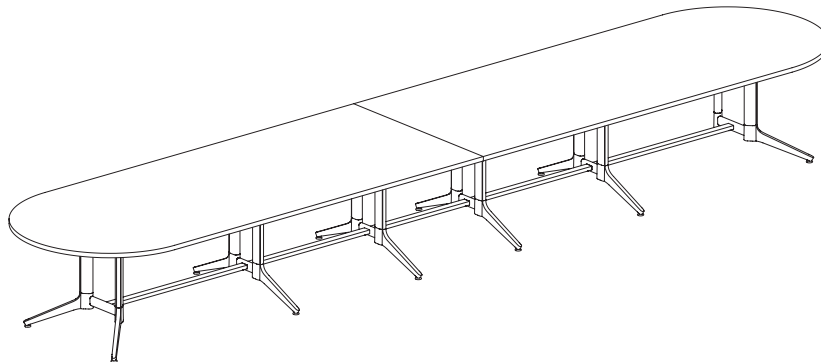
Pill
 (3-legs)

TJQAV4296	TJQAV4896	TJQAV6096
TJQAV42120	TJQAV48120	TJQAV60120
TJQAV42132	TJQAV48132	TJQAV60132
TJQAV42144	TJQAV48144	TJQAV60144



Pill
 (4-legs)

TJQAV42156	TJQAV48156	TJQAV60156
TJQAV42168	TJQAV48168	TJQAV60168
TJQAV42192	TJQAV48192	TJQAV60192



Pill
 (6-legs)

TJQAV42240	TJQAV48240	TJQAV60240
------------	------------	------------

Café Tables

Product Overview

Café Table Models

Café tables are available with an X-base, double X-base, or C-leg base:

X-Base

X-Base tables provide each user with equal personal space and equivalent status preventing a "head of table". These tables are great for collaborative spaces.

Double X-Base

Double X-Base tables are perfect for collaborative spaces. These tables pair well with chairs, stools or booth seating in cafes or library/media centers.

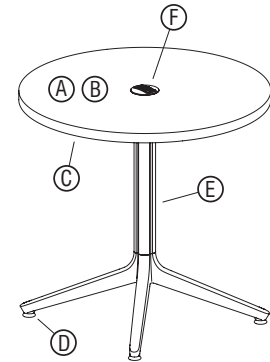
C-Leg Base

C-Base tables provide each user with equal personal space and equivalent status preventing a "head of table". These tables are great for collaborative spaces.

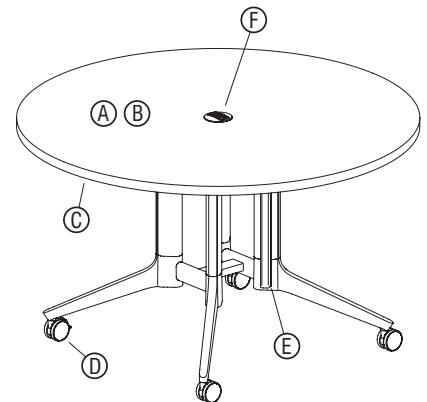
Café Table Features

Café table features can be configured or are standard, to include:

- A. Tabletop shape & size (page 176).
- B. Tabletop laminate grades.
- C. Tabletop edge styles (page 176).
- D. Caster & glide options (page 177).
- E. Wire management (page 177).
- F. Electrical options (page 178).



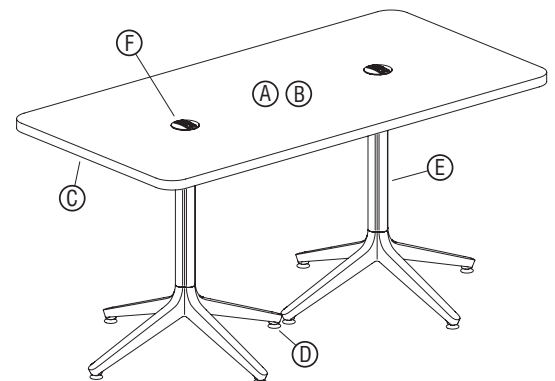
X-Base
(model TJCAB30 shown)



C-Leg Base
(model TJFAB48 shown)

Café Tables			
	X-Base	Double X-Base	C-Leg
Base Height			
27" H		•	
29" H	•	•	•
36" H	•	•	
42" H	•	•	
Top Shapes			
Round	•		•
Square	•		•
Rounded Square	•		•
Rectangle		•	
Features			
Casters			•
Low Profile Glides	•	•	•
Power Modules with 3-Prong Plug	•*	•	•

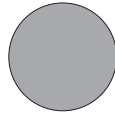
*Feature is only available on certain models.



Double X-Base
(model TJCAA3060 shown)

Tabletops

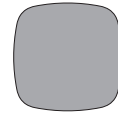
Tributaire café tabletops are offered in various shapes, sizes and features. Available features vary based on individual models.



Round



Square

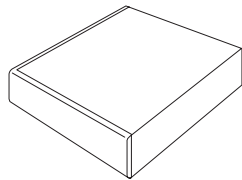


Rounded Square

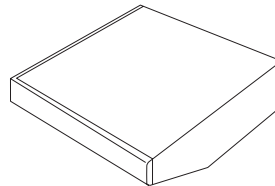


Rectangular

Edge Styles



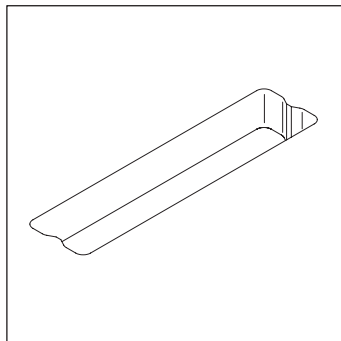
**74P Edge
(74P)**



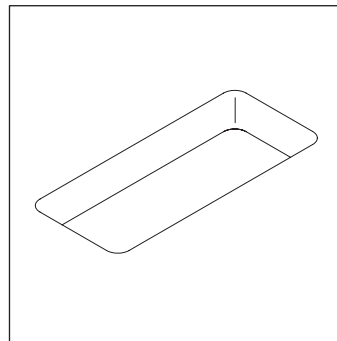
**Knife Edge
(KN)**

Tabletop Cutouts

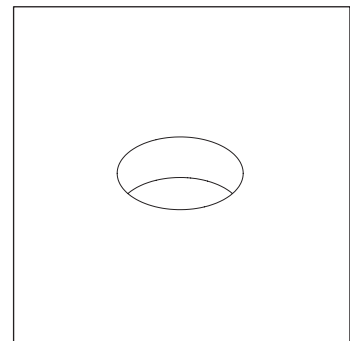
Dean, Nacre, or Node grommets can be specified for use within corresponding cutouts.



Dean Tabletop Cutout



Nacre Tabletop Cutout

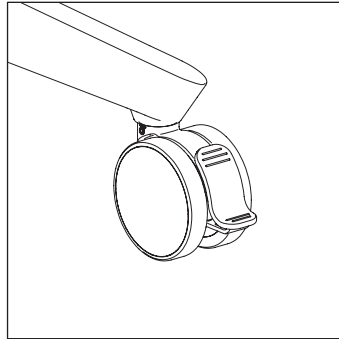


Node Tabletop Cutout

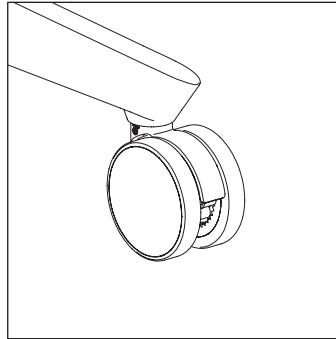
Casters & Low Profile Glides

Casters are 2.5" in diameter and are available in three color combinations: Black hub with black tread and brake, Warm grey hub with warm grey tread and brake and also Cottonwood hub with warm grey tread and brake. Available on C-leg base café tables.

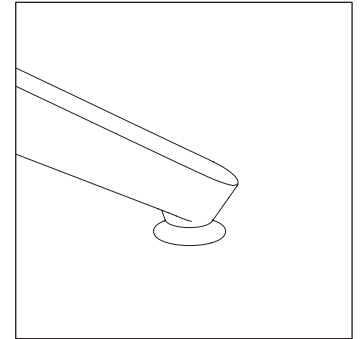
Glides are 1.5" in diameter, have black floor contact pads and 1/2" of adjustment. Available on X-base, double X-base, and C-leg base café tables.



Locking Caster



Non-Locking Caster

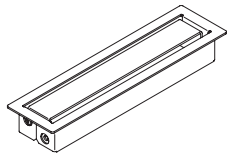


Low Profile Glide

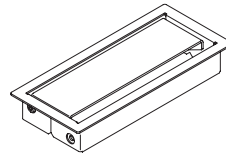
Wire Management

Grommets

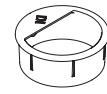
Metal grommets are available to fit Dean, Nacre and Node tabletop cutouts. Grommets, modules and electrical components are field installed.



Dean® Grommet
 (1.94" x 7.3" cutout)



Nacre® Grommet
 (3" x 6.94" cutout)



Node Grommet
 (3" diameter cutout)

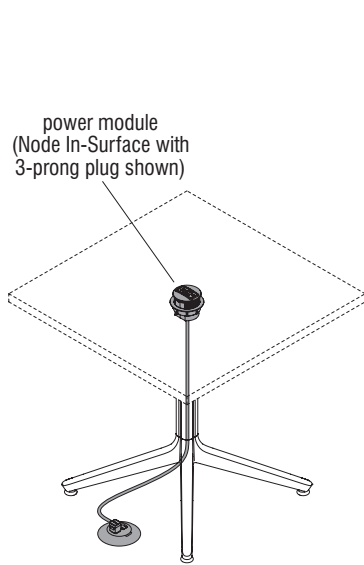
Vertical Wire Manager

Vertical wire manager is included on tables specified with Dean in-surface, Dean undersurface, or Dubbel undersurface power modules with 3-prong plug. Vertical wire manager can be ordered separately. Wire manager is color matched to table base.

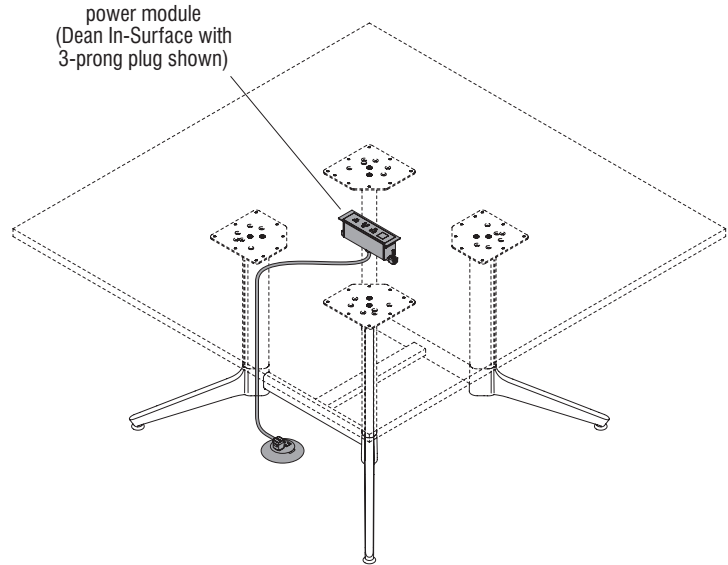


Electrical

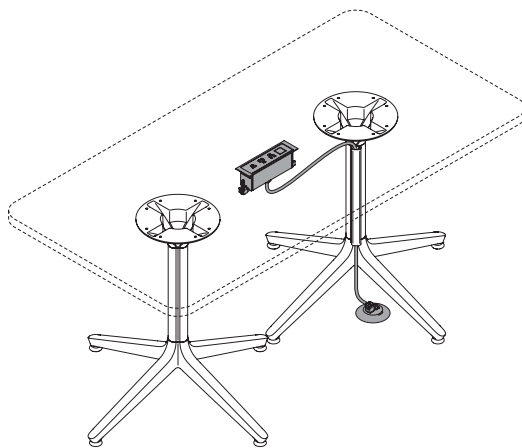
Electrical System Overview



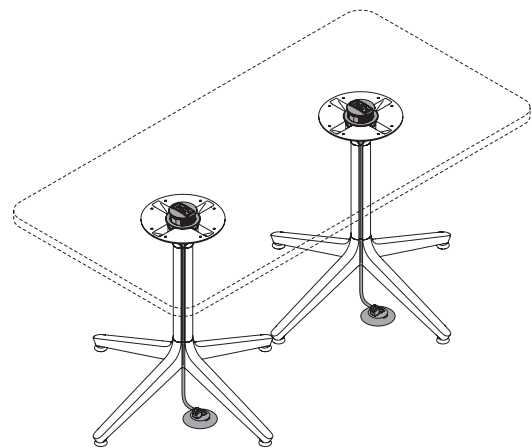
Tributaire X-Base Café Table with Power Module with 3-Prong Plug



Tributaire C-Leg Café Table with Power Module with 3-Prong Plug

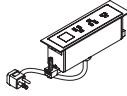
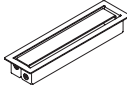
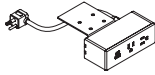
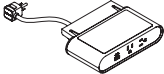

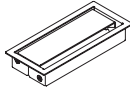
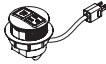



Tributaire Double X-Base Café Table with Dean In-Surface Power Module with 3-Prong Plug



Tributaire Double X-Base Café Table with Two Node Power Modules with 3-Prong Plug

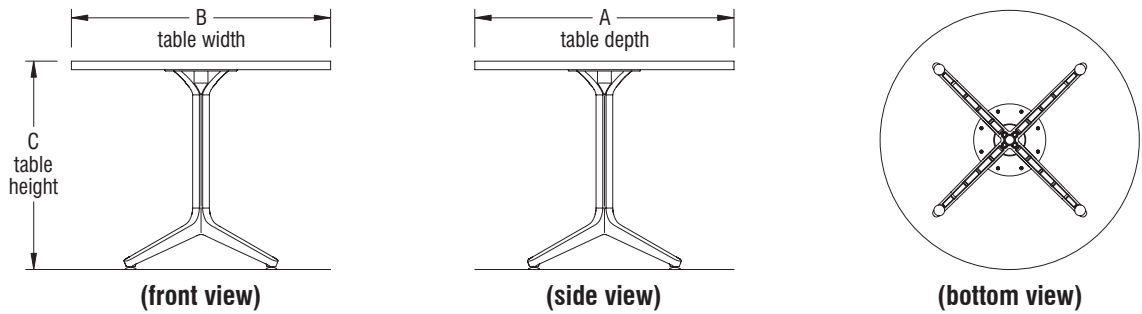
Electrical Components

Electrical Components				
Power Options	Visual	Module Configuration	Tabletop Cutout Dimensions	Mounting Location
Dean In-Surface (available with 3-prong plug)		2 power outlets, 1 dual USB A+C, 1 open port	1.94" x 7.3"	in surface
Dean In-Surface Grommet		N/A	1.94" x 7.3"	in surface
Dean Undersurface (available with 3-prong plug)		2 power outlets, 1 dual USB A+C	N/A	below surface
Dubbel Undersurface (available with 3-prong plug)		2 power outlets, 1 dual USB A+C	N/A	below surface
Nacre Pop-Up Module (available with 3-prong plug)		2 power outlets, 1 dual USB A+C, 1 open port	3" x 6.94"	in surface
Nacre Grommet		N/A	3" x 6.94"	in surface
Node (available with 3-prong plug)		1 power outlet, 1 dual USB A+C	3" diameter	in surface
Node Grommet		N/A	3" diameter	in surface

DIMENSIONS

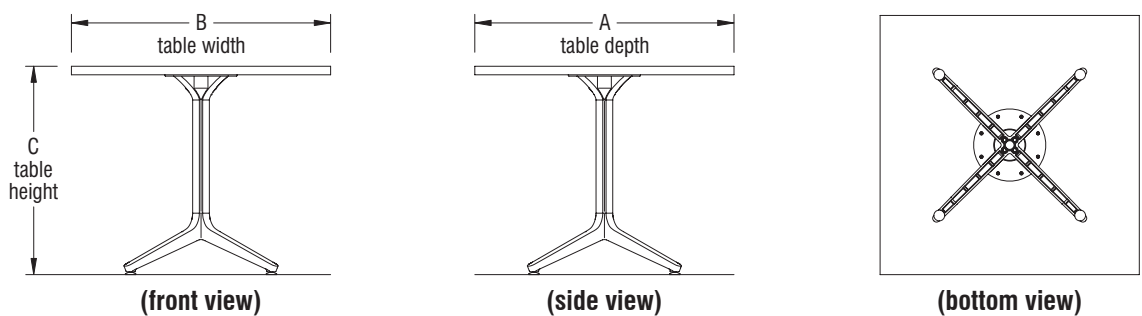
Tributaire Round X-Base Café Tables			
Model Number	A Table Depth	B Table Width	C Table Height
TJ CAB30	30"	30"	29"
TJ CAB36	36"	36"	29"
TJ CBB30	30"	30"	36"
TJ CBB36	36"	36"	36"
TJ CCB30	30"	30"	42"
TJ CCB36	36"	36"	42"

(model TJ CAB36 shown below)



Tributaire Square X-Base Café Tables			
Model Number	A Table Depth	B Table Width	C Table Height
TJ CAC30	30"	30"	29"
TJ CAC36	36"	36"	29"
TJ CAC42	42"	42"	29"
TJ CBC30	30"	30"	36"
TJ CBC36	36"	36"	36"
TJ CBC42	42"	42"	36"
TJ CCC30	30"	30"	42"
TJ CCC36	36"	36"	42"
TJ CCC42	42"	42"	42"

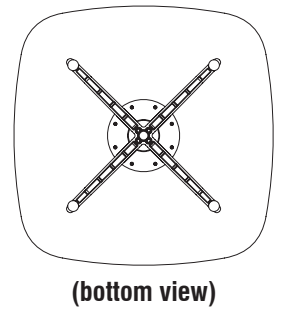
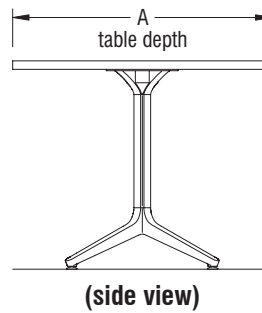
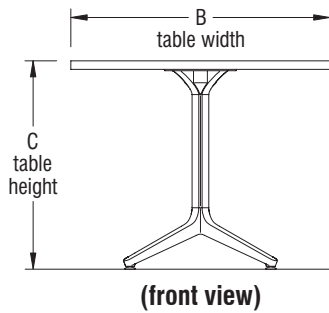
(model TJ CAC36 shown below)



**DIMENSIONS
 (cont.)**

Tributaire Rounded Square X-Base Café Tables			
Model Number	A Table Depth	B Table Width	C Table Height
TJCAR30	30"	30"	29"
TJCAR36	36"	36"	29"
TJCAR42	42"	42"	29"
TJCBR30	30"	30"	36"
TJCBR36	36"	36"	36"
TJCBR42	42"	42"	36"
TJCCR30	30"	30"	42"
TJCCR36	36"	36"	42"
TJCCR42	42"	42"	42"

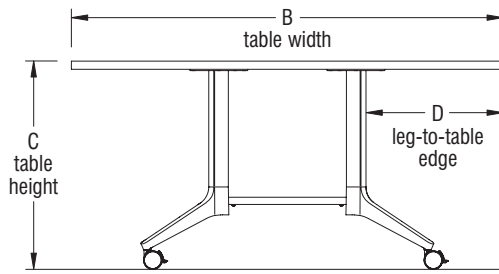
(model TJCAR36 shown below)



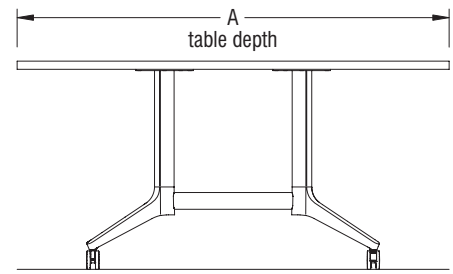
DIMENSIONS
 (cont.)

Tributaire Round C-Leg Café Tables				
Model Number	A Table Depth	B Table Width	C Table Height	D Leg-to-Table Edge
TJFAB48	48"	48"	29"	18.50"
TJFAB60	60"	60"	29"	18.50"

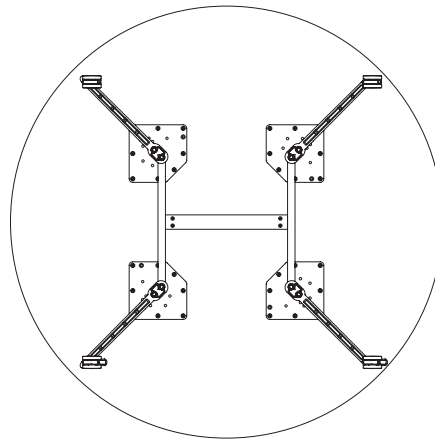
(model TJFAB60 shown below)



(front view)



(side view)

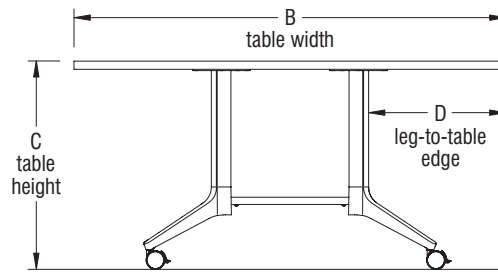


(bottom view)

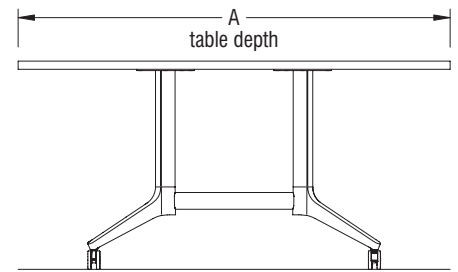
**DIMENSIONS
 (cont.)**

Tributaire Square C-Leg Café Tables				
Model Number	A Table Depth	B Table Width	C Table Height	D Leg-to-Table Edge
TJFAC48	48"	48"	29"	19.08"
TJFAC60	60"	60"	29"	19.08"

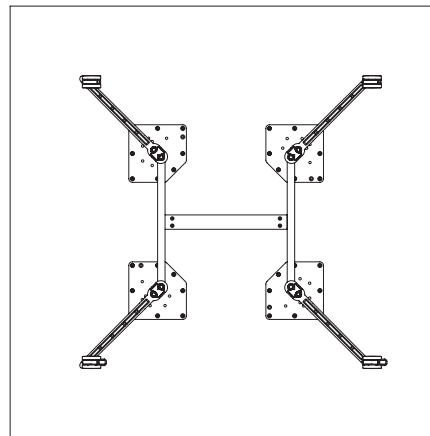
(model TJFAC60 shown below)



(front view)



(side view)

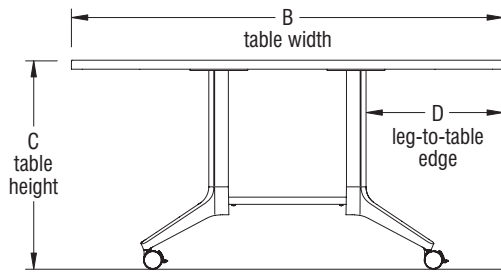


(bottom view)

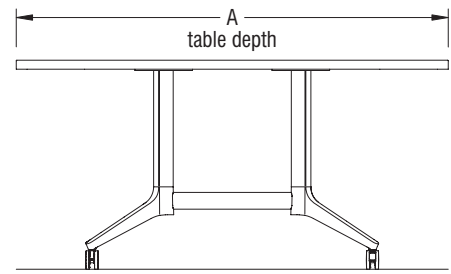
DIMENSIONS
 (cont.)

Tributaire Rounded Square C-Leg Café Tables				
Model Number	A Table Depth	B Table Width	C Table Height	D Leg-to-Table Edge
TJFAR48	48"	48"	29"	18.50"
TJFAR60	60"	60"	29"	19.08"

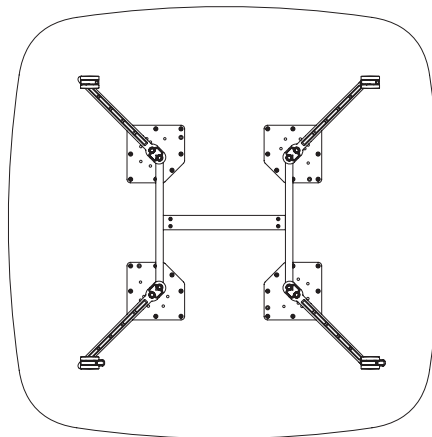
(model TJFAR60 shown below)



(front view)



(side view)

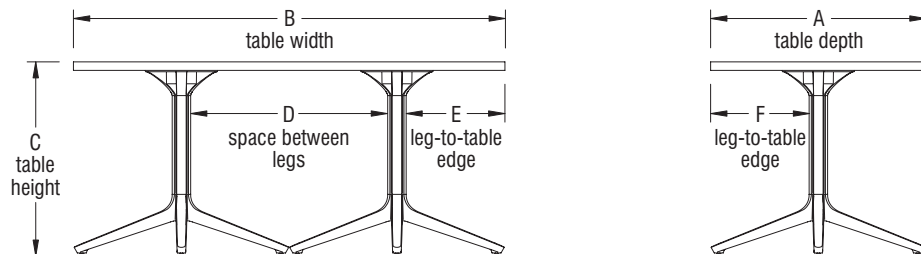


(bottom view)

**DIMENSIONS
 (cont.)**

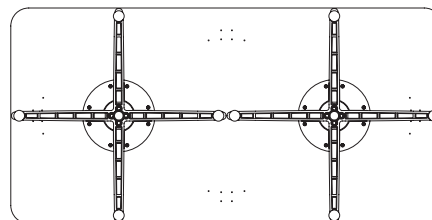
Tributaire Rectangular Double X-Base Café Tables						
Model Number	A Table Depth	B Table Width	C Table Height	D Space Between Legs	E Leg-to-Table Edge	F Leg-to-Table Edge
TJCGA3060	30"	60"	27"	27.36"	13.71"	13.68"
TJCGA3066	30"	66"	27"	33.36"	13.71"	13.68"
TJCGA3072	30"	72"	27"	39.36"	13.71"	13.68"
TJCGA3660	36"	60"	27"	27.36"	13.71"	16.68"
TJCGA3666	36"	66"	27"	33.36"	13.71"	16.68"
TJCGA3672	36"	72"	27"	39.36"	13.71"	16.68"
TJCAA3060	30"	60"	29"	27.36"	13.71"	13.68"
TJCAA3066	30"	66"	29"	33.36"	13.71"	13.68"
TJCAA3072	30"	72"	29"	39.36"	13.71"	13.68"
TJCAA3660	36"	60"	29"	27.36"	13.71"	16.68"
TJCAA3666	36"	66"	29"	33.36"	13.71"	16.68"
TJCAA3672	36"	72"	29"	39.36"	13.71"	16.68"
TJCBA3060	30"	60"	36"	27.36"	13.71"	13.68"
TJCBA3066	30"	66"	36"	33.36"	13.71"	13.68"
TJCBA3072	30"	72"	36"	39.36"	13.71"	13.68"
TJCBA3660	36"	60"	36"	27.36"	13.71"	16.68"
TJCBA3666	36"	66"	36"	33.36"	13.71"	16.68"
TJCBA3672	36"	72"	36"	39.36"	13.71"	16.68"
TJCCA3060	30"	60"	42"	27.36"	13.71"	13.68"
TJCCA3066	30"	66"	42"	33.36"	13.71"	13.68"
TJCCA3072	30"	72"	42"	39.36"	13.71"	13.68"
TJCCA3660	36"	60"	42"	27.36"	13.71"	16.68"
TJCCA3666	36"	66"	42"	33.36"	13.71"	16.68"
TJCCA3672	36"	72"	42"	39.36"	13.71"	16.68"

(model TJCGA3060 shown below)



(front view)

(side view)



(bottom view)

**STATEMENT OF
 LINE**

Tribulaire Round X-Base Café Tables



29" Fixed-Height
 X-Base, Round
 TJCAB30
 TJCAB36



29" Fixed-Height
 X-Base, Round
 TJCBB30
 TJCBB36



42" Fixed-Height
 X-Base, Round
 TJCCB30
 TJCCB36

Tribulaire Square X-Base Café Tables



29" Fixed-Height
 X-Base, Square
 TJCAC30
 TJCAC36
 TJCAC42



36" Fixed-Height
 X-Base, Square
 TJCBC30
 TJCBC36
 TJCBC42



42" Fixed-Height
 X-Base, Square
 TJCCC30
 TJCCC36
 TJCCC42

Tribulaire Rounded Square X-Base Café Tables



29" Fixed-Height
 X-Base, Rounded Square
 TJCAR30
 TJCAR36
 TJCAR42

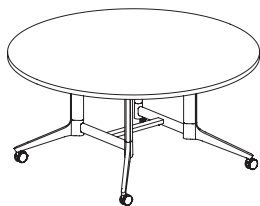


36" Fixed-Height
 X-Base, Rounded Square
 TJCBR30
 TJCBR36
 TJCBR42

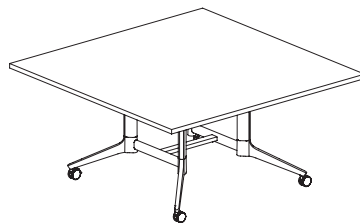


42" Fixed-Height
 X-Base, Rounded Square
 TJCCR30
 TJCCR36
 TJCCR42

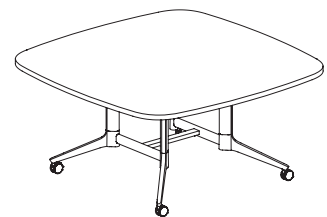
Tribulaire C-Leg Café Tables



29" Fixed-Height
 C-Leg, Round
 TJFB48
 TJFB60



29" Fixed-Height
 C-Leg, Square
 TJFAC48
 TJFAC60



29" Fixed-Height
 C-Leg, Rounded Square
 TJFAR48
 TJFAR60

**STATEMENT OF
 LINE (cont.)**

Tributaire Rectangular Double X-Base Café Tables



27" Fixed-Height

TJCGA3060	TJCGA3660
TJCGA3066	TJCGA3666
TJCGA3072	TJCGA3672



29" Fixed-Height

TJCAA3060	TJCAA3660
TJCAA3066	TJCAA3666
TJCAA3072	TJCAA3672



36" Fixed-Height

TJCBA3060	TJCBA3660
TJCBA3066	TJCBA3666
TJCBA3072	TJCBA3672



42" Fixed-Height

TJCCA3060	TJCCA3660
TJCCA3066	TJCCA3666
TJCCA3072	TJCCA3672

Occasional Tables

Product Overview

Occasional Table Models

Occasional tables are available with an X-base or C-Leg base:

End Table (X-base)

End tables (X-base tables) provide each user with equal personal space and equivalent status preventing a "head of table". These tables are great for collaborative spaces.

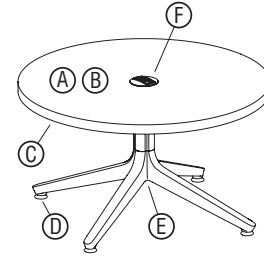
Coffee Table (C-leg base)

Coffee Table (C-leg base) is the perfect height to be used in lounge applications.

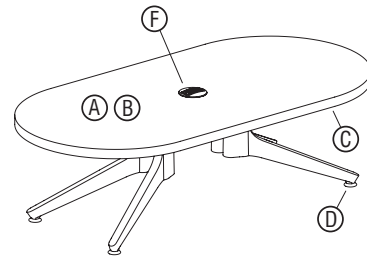
Café Table Features

Café table features can be configured or are standard, to include:

- A. Tabletop shapes (page 189).
- B. Tabletop laminate grades.
- C. Tabletop edge styles (page 189).
- D. Glide option (page 190).
- E. Wire management (page 190).
- F. Electrical options (page 191).



(model TJCYB30 shown)



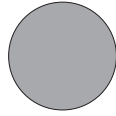
(model TJFXV2448 shown)

Occasional Tables		
	End Table (X-base)	Coffee Table (C-leg base)
Base Height		
14" H		•
17" H	•	
18" H		•
20" H	•	
Top Shapes		
Round	•	
Square	•	
Rounded Square	•	
Rectangular		•
Boat		•
Pill		•
Features		
Casters		
Low Profile Glides	•	•
Power Modules with 3-Prong Plug	•*	•
Pattern Electrical System		
Ganging		
Modesty Panels		

*Feature is only available on certain models.

Tabletops

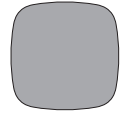
Tributaire occasional tabletops are offered in various shapes, sizes and features. Available features vary based on individual models.



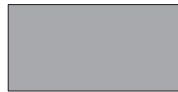
Round



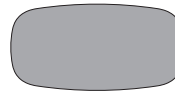
Square



Rounded Square



Rectangular

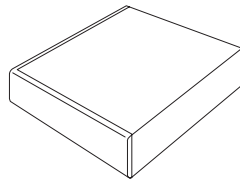


Boat

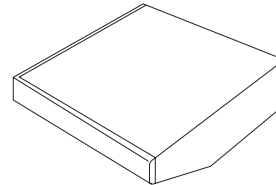


Pill

Edge Styles



**74P Edge
(74P)**

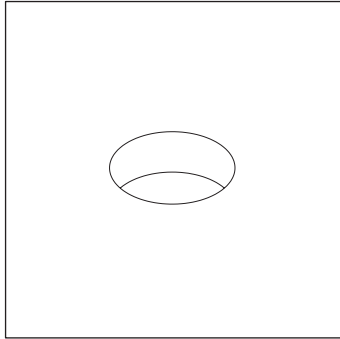


**Knife Edge
(KN)**

Tabletops

Tabletop Cutouts

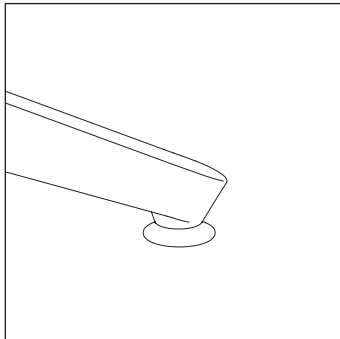
Node grommets can be specified for use within corresponding cutouts.



Node Tabletop Cutout

Low Profile Glides

Low profile glides are 1.5" in diameter, have black floor contact pads and 1/2" of adjustment.



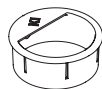
Low Profile Glide

Wire Management

Grommets

Metal grommets are available to fit Dean, Nacre and Node tabletop cutouts.

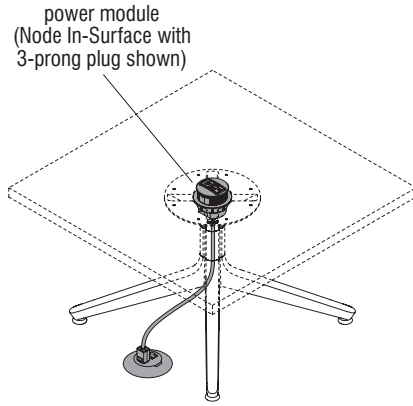
Grommets, modules and electrical components are field installed.



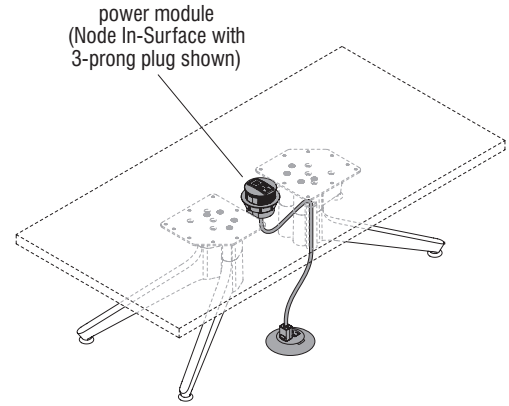
**Node Grommet
(3" diameter cutout)**

Electrical

Electrical System Overview

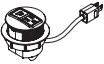



Tributaire End Table with Power Module with 3-Prong Plug



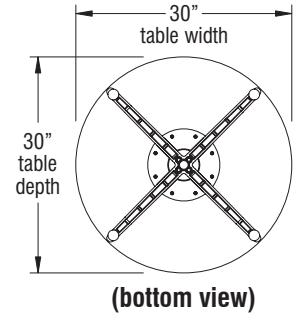
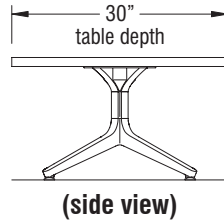
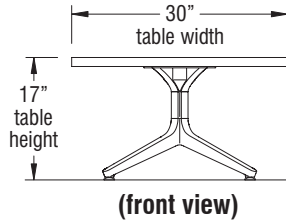
Tributaire Coffee Table with Power Module with 3-Prong Plug

Electrical Components

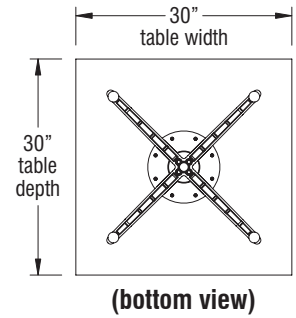
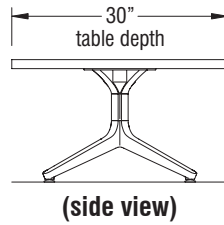
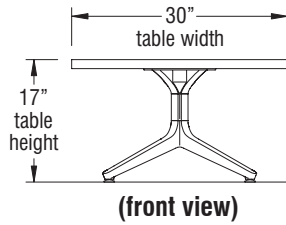
Electrical Components				
Power Options	Visual	Module Configuration	Tabletop Cutout Dimensions	Mounting Location
Node (available with 3-prong plug)		1 power outlet, 1 dual USB A+C	3" diameter	in surface
Node Grommet		N/A	3" diameter	in surface

DIMENSIONS

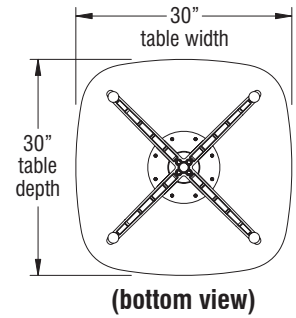
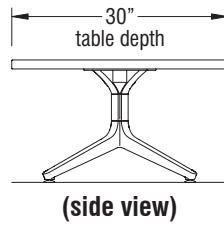
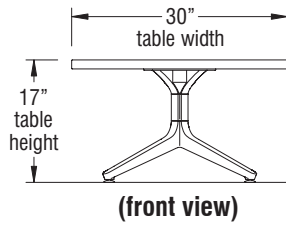
Tributaire Round X-Base End Tables



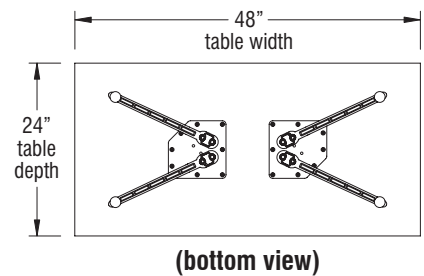
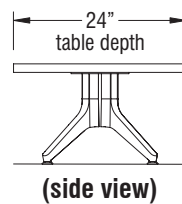
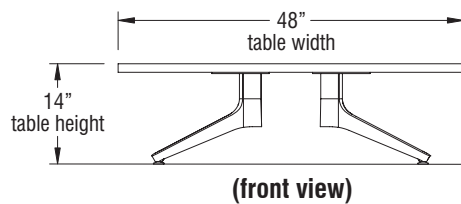
Tributaire Square X-Base End Tables



Tributaire Round Square X-Base End Tables

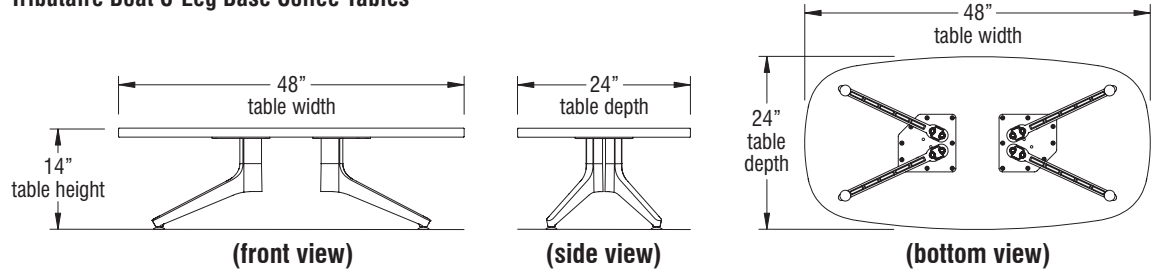


Tributaire Rectangular C-Leg Base Coffee Tables

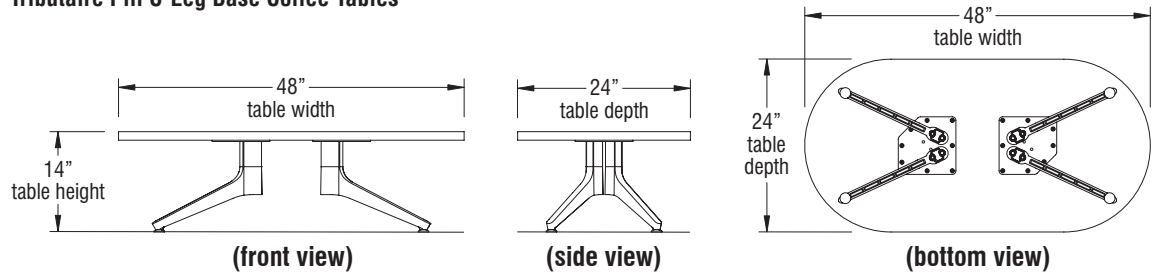


**DIMENSIONS
 (cont.)**

Tributaire Boat C-Leg Base Coffee Tables



Tributaire Pill C-Leg Base Coffee Tables



**STATEMENT OF
 LINE**

Tributaire X-Base End Tables



X-Base
 Round
 TJCYB30
 TJCZB30

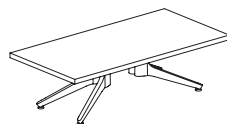


X-Base
 Square
 TJCYC30
 TJCZC30

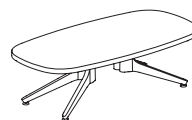


X-Base
 Rounded Square
 TJCYR
 TJCZR

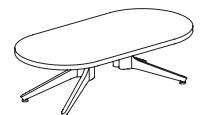
Tributaire C-Leg Base Coffee Tables



C-Leg
 Rectangle
 TJFWA
 TJFXA



C-Leg
 Boat
 TJFWT
 TJFXT



C-Leg
 Pill
 TJFWV
 TJFXV

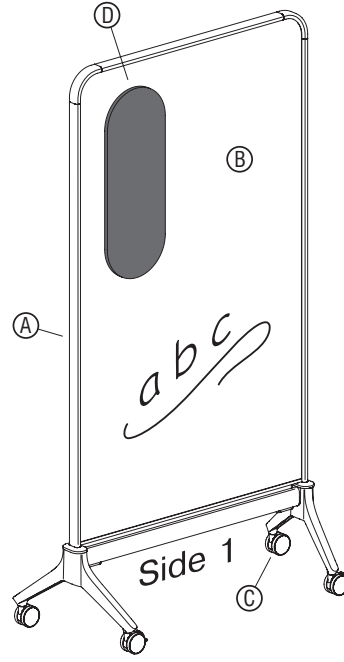
Nesting Screens

Product Overview

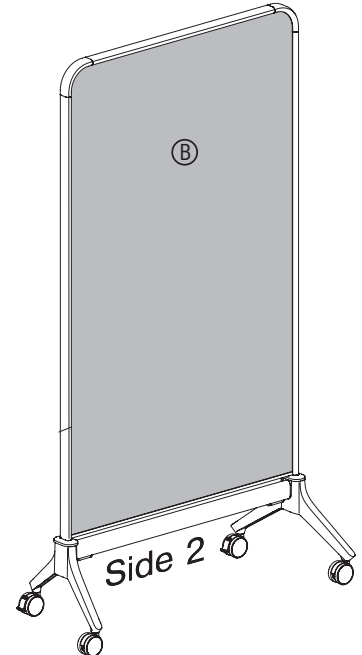
Nesting Screen Features

Nesting screen features can be configured or are standard, to include:

- A. Nesting screen sizes (page 197).
- B. Screen material & combinations (page 195).
- C. Caster & glide options (page 196).
- D. Accessories (page 196).



(model TJMNP2466 shown)



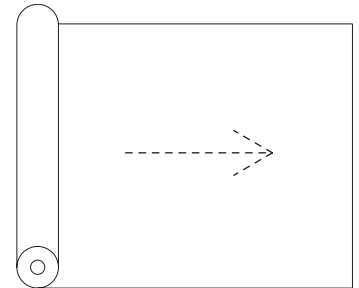
(model TJMNP2466 shown)

Nesting Screen Material Combinations			
	PET Felt	Fabric	Markerboard
PET Felt	•		•
Fabric		•	
Markerboard			•

Screen Panel Inserts

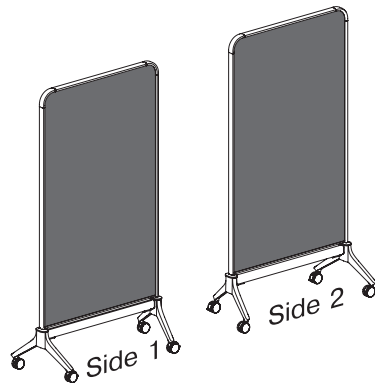
Screen panel inserts are available in four finishes, approximately 1/2" finished thickness:

- **Model TJNMB**
 - Dry-erase magnetic steel, on both sides of the screen, consisting of .017" thick white finish steel adhered to a medium density fiber board core.
- **Model TJNMP**
 - Dry-erase magnetic steel side, one side of the screen, consisting of .017" thick white finish steel glued to a medium density fiber board core. The other side of the screen, with 1/2" thick PET felt glued to the steel on the other side. PET comes in standard KI colors per KI felt color addendum.
- **Model TJNPF**
 - PET felt only, in standard KI colors per felt color addendum.
- **Model TJNFA**
 - Fabric style in any approved KI fabric. Fabric is glued to a pin-able low density fiber board core. Fabric is "railroad direction" (horizontal).

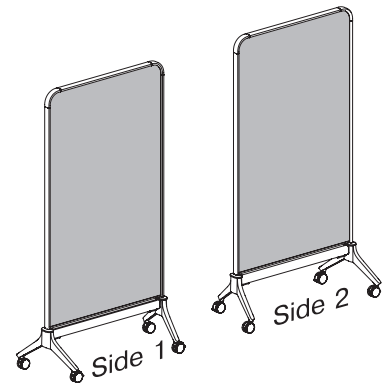


Fabric Wrap Panels

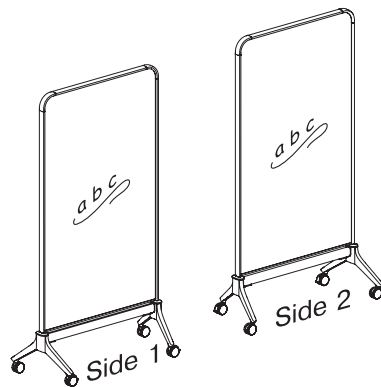
Fabric roll railroad direction.
 Fabric is glued on each side of the panel insert and trimmed flush. All trimming edges are covered by the panel framing.



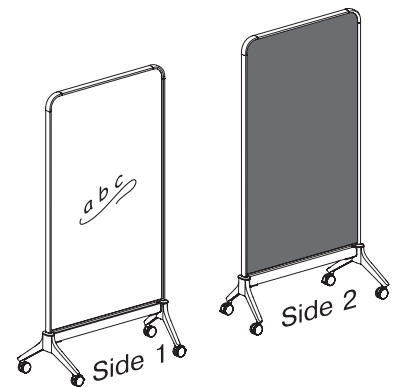
PET Felt Screen Insert



Fabric Screen Insert



Markerboard Screen Insert

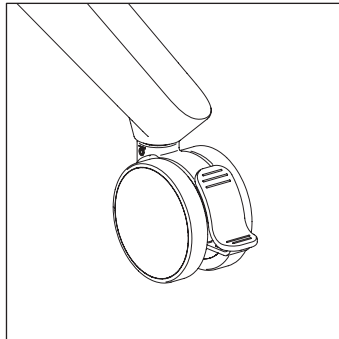


Markerboard & PET Felt Screen Insert Combination

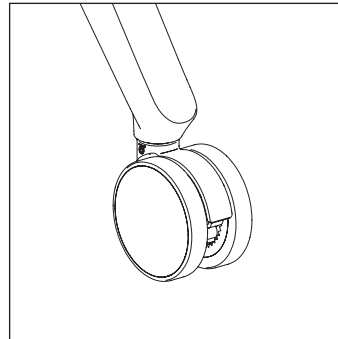
Casters & Telescopic Glides

Casters are 2.5" in diameter and are available in three color combinations: Black hub with black tread and brake, Warm grey hub with warm grey tread and brake and also Cottonwood hub with warm grey tread and brake.

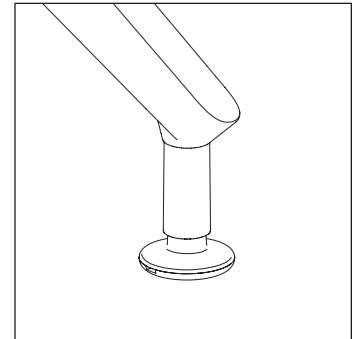
Telescopic glides are 2" in diameter and have a die cast aluminum post which is finished to match the base finish. The adjustable glide has a molded nylon body available in three standard colors: black, warm grey and cottonwood. The floor pad is a replaceable nylon pad. Glides offer 1.2" of adjustment.



Locking Caster



Non-Locking Caster

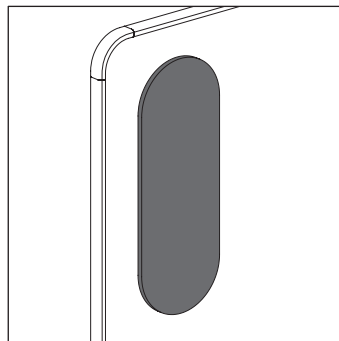


Glide

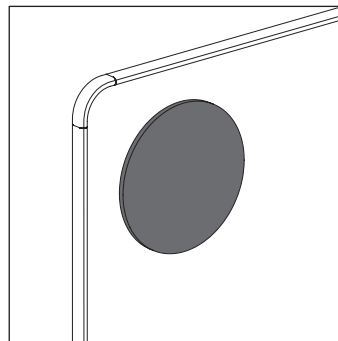
Accessories

PET Magnetic Tiles

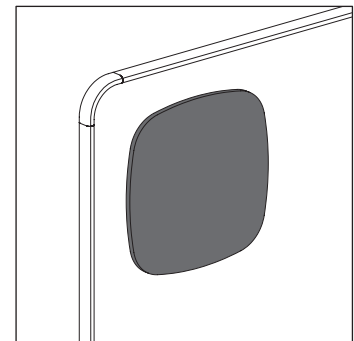
PET magnetic tiles are offered in various shapes and sizes.



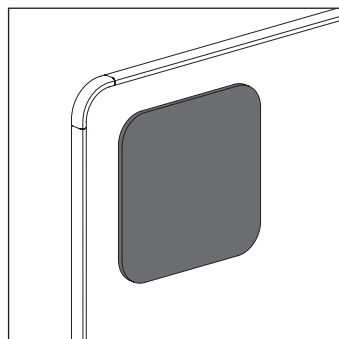
PET Felt Shape - Pill



PET Felt Shape - Round



PET Felt Shape - Rounded Square



PET Felt Shape - Square

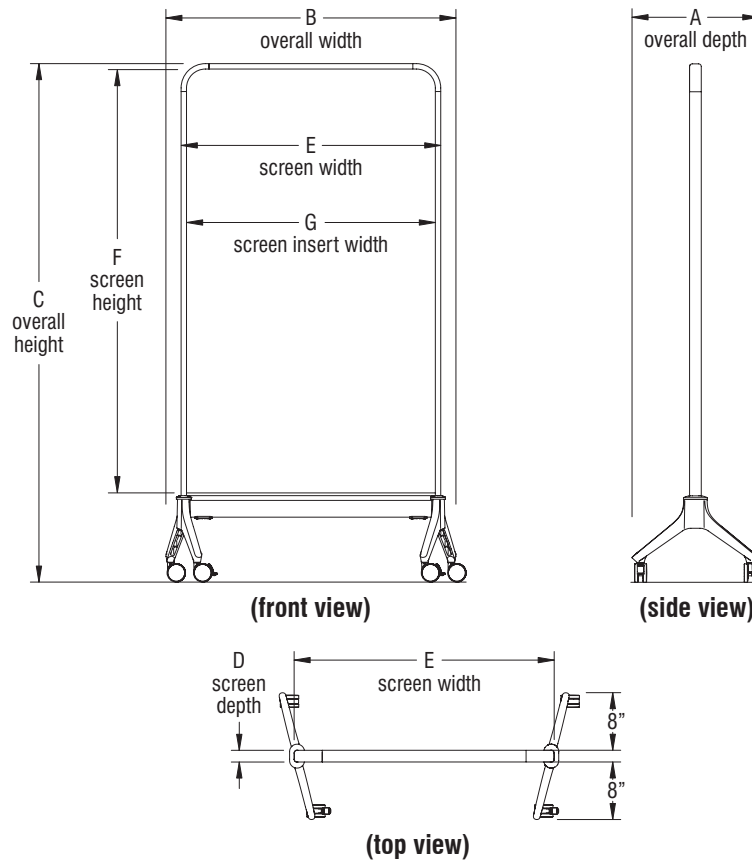
DIMENSIONS

Nesting Screen Sizes

Nesting Screens are available in the following overall dimensional sizes (width x height):

Nesting Screens								
Model Size	Screen Size	A Overall Depth	B Overall Width	C Overall Height	D Screen Depth	E Screen Width	F Screen Height	G Screen Insert Width
24" x 54"	22.5" x 41"	17.60"	28.27"	54"	1.62"	24.06"	40.87"	22.56"
24" x 66"	22.5" x 53"	17.60"	28.27"	66"	1.62"	24.06"	52.87"	22.56"
24" x 72"	22.5" x 59"	17.60"	28.27"	72"	1.62"	24.06"	58.87"	22.56"
30" x 54"	28.5" x 41"	17.60"	34.27"	54"	1.62"	30.06"	40.87"	28.56"
30" x 66"	28.5" x 53"	17.60"	34.27"	66"	1.62"	30.06"	52.87"	28.56"
30" x 72"	28.5" x 59"	17.60"	34.27"	72"	1.62"	30.06"	58.87"	28.56"
36" x 54"	34.5" x 41"	17.60"	40.27"	54"	1.62"	36.06"	40.87"	34.56"
36" x 66"	35.5" x 53"	17.60"	40.27"	66"	1.62"	36.06"	52.87"	34.56"
36" x 72"	34.5" x 59"	17.60"	40.27"	72"	1.62"	36.06"	58.87"	34.56"
42" x 54"	40.5" x 41"	17.60"	46.27"	54"	1.62"	42.06"	40.87"	40.56"
42" x 66"	40.5" x 53"	17.60"	46.27"	66"	1.62"	42.06"	52.87"	40.56"
42" x 72"	40.5" x 59"	17.60"	46.27"	72"	1.62"	42.06"	58.87"	40.56"
48" x 54"	46.5" x 41"	17.60"	52.27"	54"	1.62"	48.06"	40.87"	46.56"
48" x 66"	46.5" x 53"	17.60"	52.27"	66"	1.62"	48.06"	52.87"	46.56"
48" x 72"	46.5" x 59"	17.60"	52.27"	72"	1.62"	48.06"	58.87"	46.56"

(model TJNPF3672 shown below)



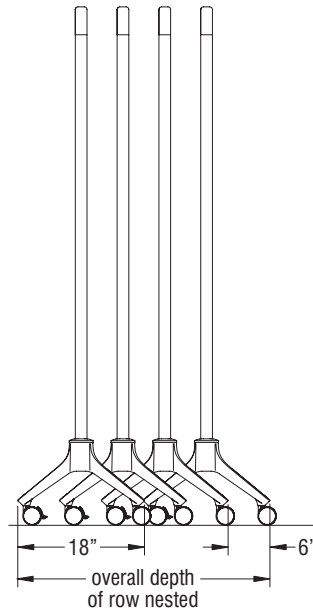
DIMENSIONS
 (cont.)

Nesting Screens Configuration Dimensions

The nesting screen feet are cast in right and left handed orientations to allow nesting of the screens where two screens equals 24" of nesting depth. Each additional screen adds approximately 6".

Nesting Footprint Calculation: Overall Depth of a Row = 18" for the first screen plus 6" for each additional screen.

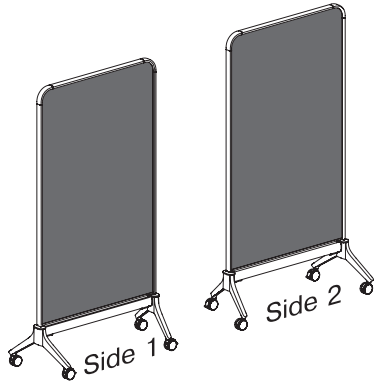
Examples: 2 screens: $18" + (6" \times 1) = 24"$
 4 screens: $18" + (6" \times 3) = 36"$



Nesting Screens Footprint Examples	
Number of Screens	Overall Depth of Nested Row
1	18"
2	24"
3	30"
4	36"
5+	Add 6" for each additional screen

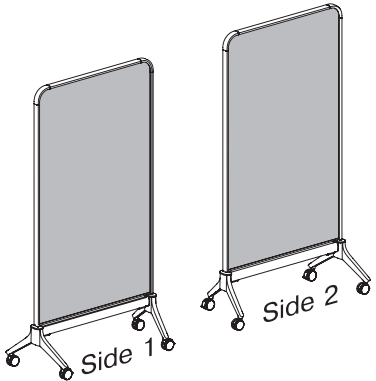
**STATEMENT OF
 LINE**

Tributaire Nesting Screens



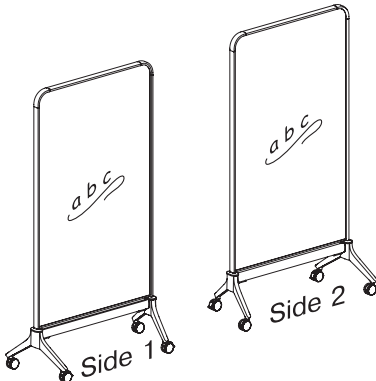
PET Felt Insert

TJNPF2454	TJNPF2466	TJNPF2472
TJNPF3054	TJNPF3066	TJNPF3072
TJNPF3654	TJNPF3666	TJNPF3672
TJNPF4254	TJNPF4266	TJNPF4272
TJNPF4854	TJNPF4866	TJNPF4872



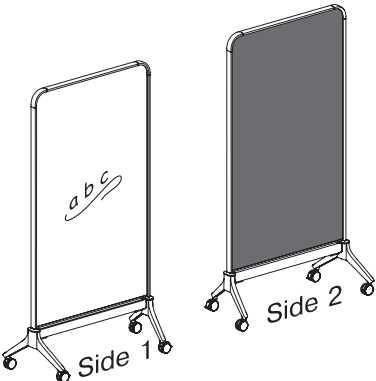
Fabric Insert

TJNFA2454	TJNFA2466	TJNFA2472
TJNFA3054	TJNFA3066	TJNFA3072
TJNFA3654	TJNFA3666	TJNFA3672
TJNFA4254	TJNFA4266	TJNFA4272
TJNFA4854	TJNFA4866	TJNFA4872



Markerboard Insert

TJNMB2454	TJNMB2466	TJNMB2472
TJNMB3054	TJNMB3066	TJNMB3072
TJNMB3654	TJNMB3666	TJNMB3672
TJNMB4254	TJNMB4266	TJNMB4272
TJNMB4854	TJNMB4866	TJNMB4872



Markerboard or PET Felt Insert

TJNMP2454	TJNMP2466	TJNMP2472
TJNMP3054	TJNMP3066	TJNMP3072
TJNMP3654	TJNMP3666	TJNMP3672
TJNMP4254	TJNMP4266	TJNMP4272
TJNMP4854	TJNMP4866	TJNMP4872

Lecterns

Product Overview

Lectern Models

Tribulaire Lecterns are available in fixed- and adjustable-height versions:

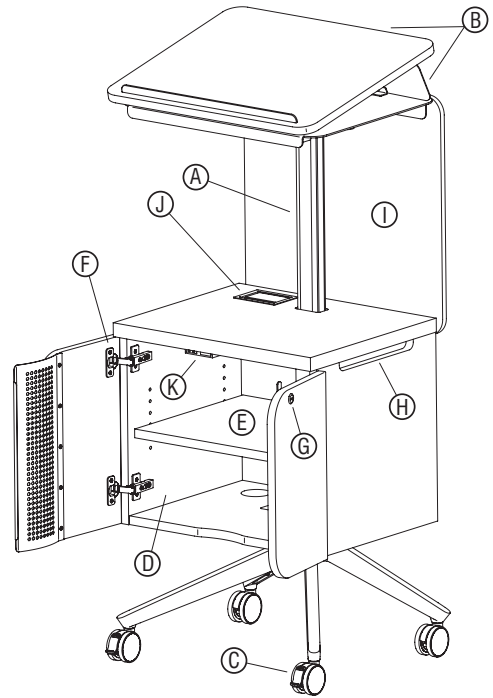
- Fixed-Height
- Pneumatic-Adjustable Height
- Screw-Adjustable Height

All models are optionally configured with storage.

Lectern Features

Tribulaire Lectern features can be configured or are standard, to include:

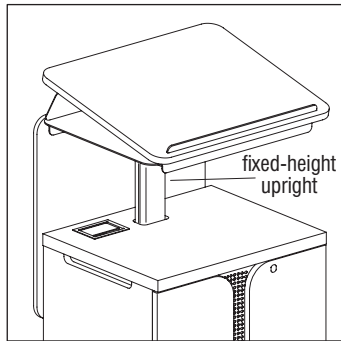
- A. Lectern upright (page 200).
- B. Lectern worktop & support platform (page 201).
- C. Caster & glide options (page 201).
- D. Storage cabinet (page 202).
- E. Adjustable Shelf (page 202).
- F. Adjustable 110° full overlap steel hinges (page 202).
- G. Lock (page 202).
- H. Accessories & ganging (pages 203 & 204).
- I. Modest Panel (page 205).
- J. Wire Management (page 206).
- K. Power Options (page 206).



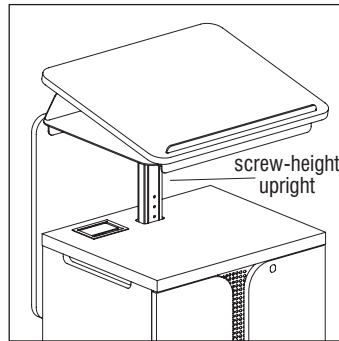
The storage cabinet contains an adjustable shelf for electronic equipment. Shelf is vertically adjustable within a 5" range, allowing for a maximum vertical height of 10 1/2" above or below the shelf within the cabinet. Available internal cabinet space without the shelf is 19 1/4" W x 15 1/2" H x 15 1/2" D. The cabinet contains a worksurface grommet on the top and a cabinet cut-out at the bottom to allow for wire management from the podium surface, down into the cabinet for electronic equipment, then out through the cut-out at bottom of the cabinet as needed.

Lectern Upright

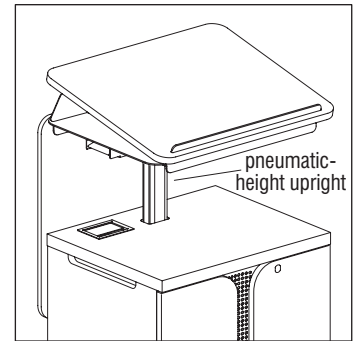
Tribulaire Lecterns are available in fixed- and adjustable-height versions:



Fixed-Height Upright



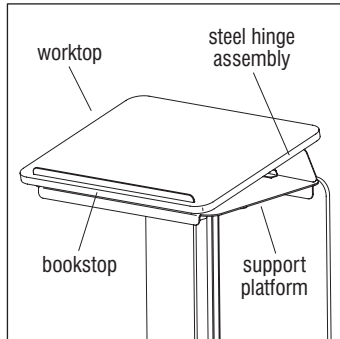
Screw-Adjustable Height



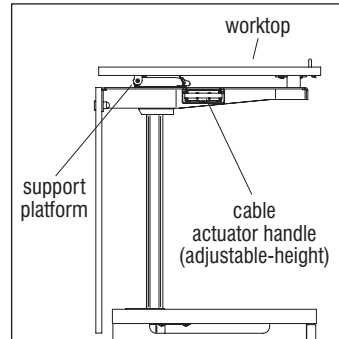
Pneumatic-Adjustable Height

Worktop & Support Platform

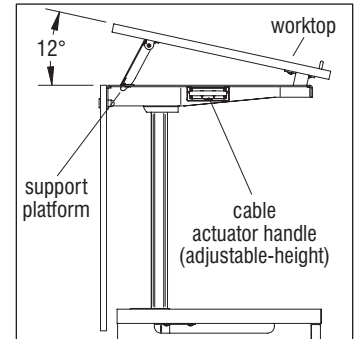
The worktop is adjusted by hand from flat to 12 degrees angled. A book stop provides for book or device retention in the angled position.



Worktop & Support Platform



Worktop (flat)

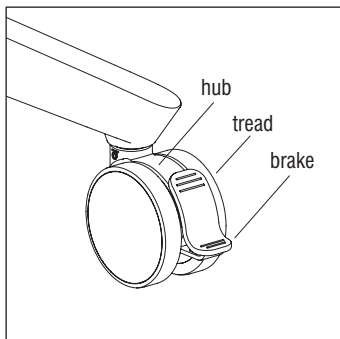


Worktop (raised 12°)

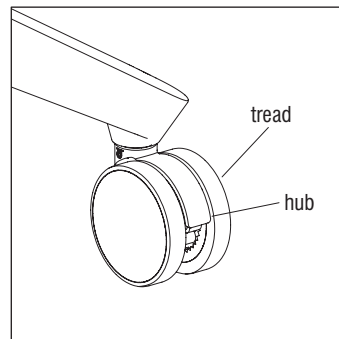
Casters & Telescopic Glides

Casters are 2.5" in diameter and are available in three color combinations: Black hub with Black tread and brake, Warm Grey hub with Warm Grey tread and brake, and also Cottonwood hub with Warm Grey tread and brake.

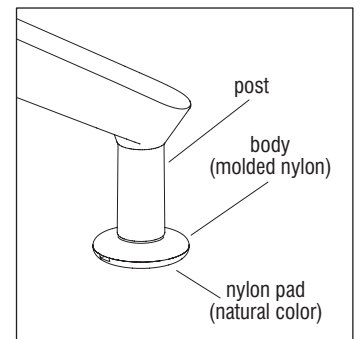
Telescopic glides are 2" in diameter and have a die cast aluminum post which matches the table base finish. Glides have a molded nylon body available in three standard colors: black, warm grey and cottonwood. The floor pad is a replaceable nylon pad. Glides offer 1.2" of adjustment.



Locking Caster



Non-Locking Caster



Telescopic Glide

Storage Cabinet

Adjustable Shelf

Adjustable shelf in the cabinet compartment allows for 5" of vertical height adjustment.

Cabinet Door Hinges

Each cabinet door has two steel hinges which have a 110-degree full-overlap swing.

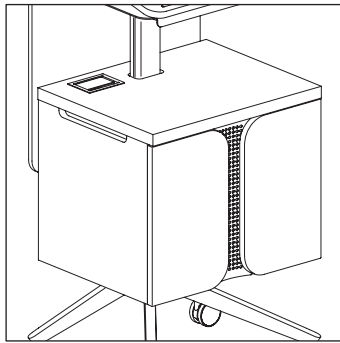
Locks

Cabinets may be configured optionally with a keyed lock to secure both doors.

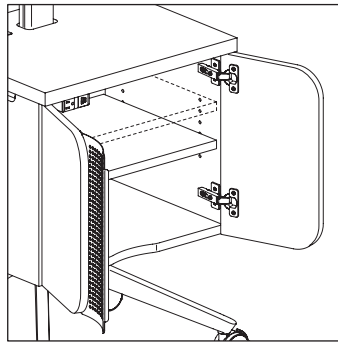
Keys

The default key is a #101 lock core & key, shipped with every storage cabinet ordered with the locking option. If a key is lost, or if an additional set of keys is required, order the #101 model key option.

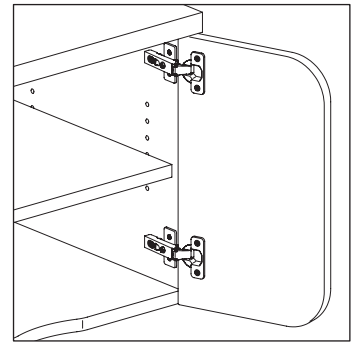
Example: If two storage cabinets with locking option are ordered, they both will ship with the #101 lock option. But, if one of the two cabinets must have a different lock & key, then a #102-#110 lock core & key must also be ordered as optional, to replace one of the standard #101 lock core & keys shipped standard. The unused #101 lock core & key can then be discarded.



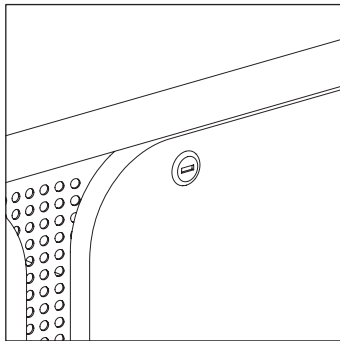
Storage Cabinet



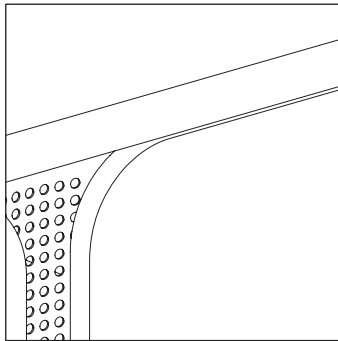
Adjustable Shelf



Cabinet Door Hinges



Storage Cabinet Door with Lock



Door without Lock

Accessories

Lectern with Storage Bag Hook

A bag hook may be secured to the opening on the side of the lectern storage cabinet.

Support Platform Bag Hook

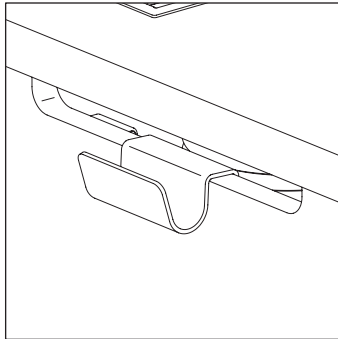
A bag hook may be secured to the vertical support column. Ideal use for lecterns without storage.

Cupholder

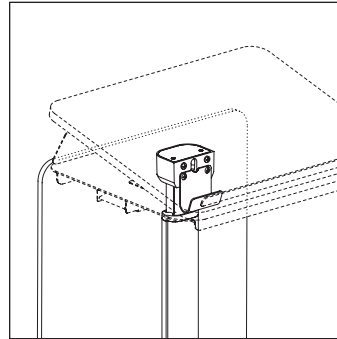
Cupholder can pivot fully underneath the support platform, or be extended out when in use.

Lectern-to-Table Ganging Kit

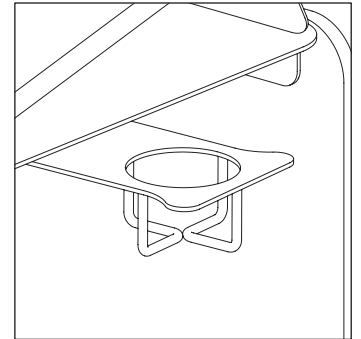
Proceed to "Ganging" section on the next page for more information.



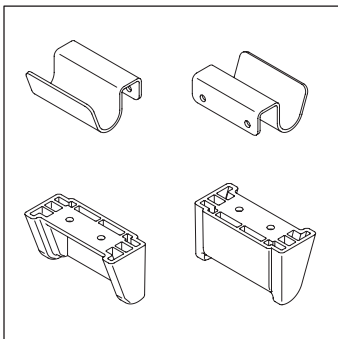
Lectern with Storage Bag Hook



Support Platform Bag Hook



Cupholder



Lectern-to-Table Ganger Kit

Ganging

The ganging kit consists of two steel hooks and two nylon ganging blocks which secure a post-leg table and lectern together. Ganging kit is field installed. One hook secures to each side of the lectern through an upper opening at each side of the storage cabinet. One nylon ganging block is secured to the underside of a post-leg table at each side. Lifting up on the edge of a ganging table and lowering the nylon ganging block into the steel ganging hook of the lectern allows the two pieces to be fully ganged together. Lecterns can gang only to rectangular post-leg tables 24" and 30" deep.

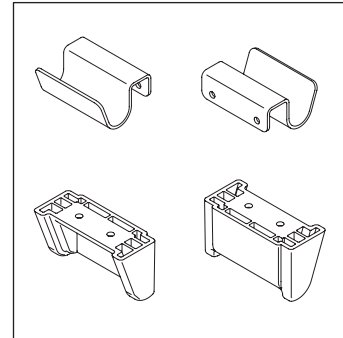
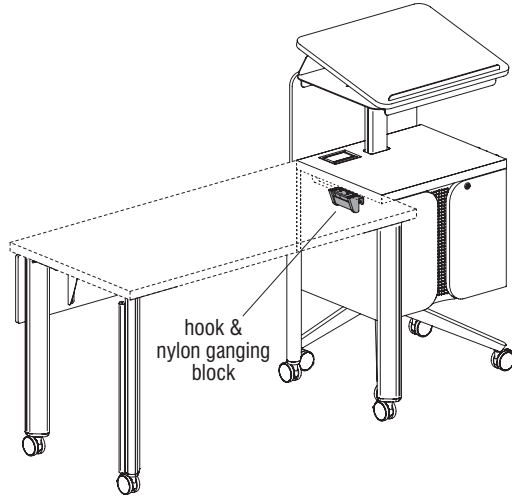
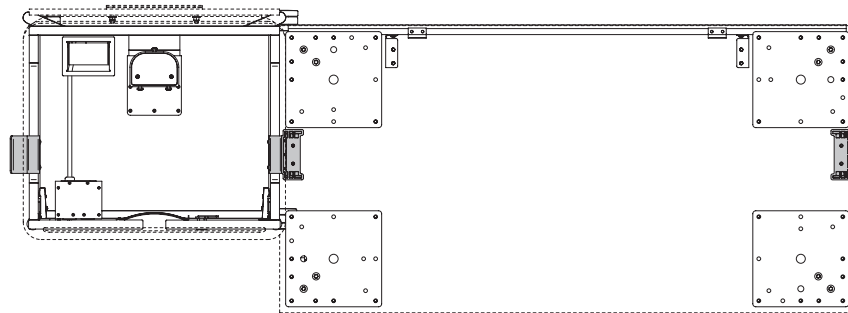


Table-to-Lectern Ganger Kit

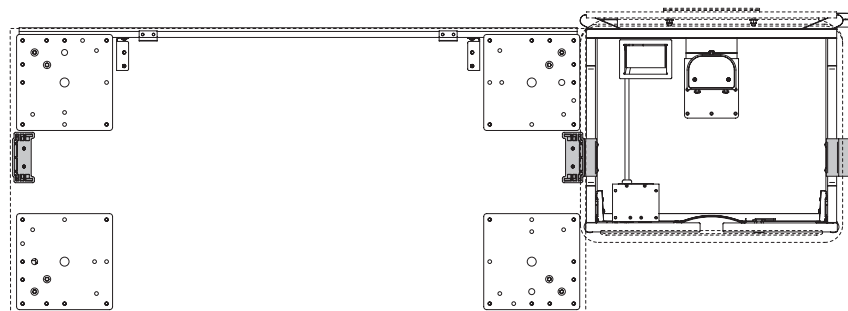
24" x 48" Rectangular Post-Leg Table & Lectern with Storage, Side-to-Side Configuration (model TJLFS & TJEA2448 shown)

Sample Layout 1



24" x 48" Rectangular Post-Leg Table & Lectern with Storage, Side-to-Side Configuration (model TJLFS & TJEA2448 shown) (top view)

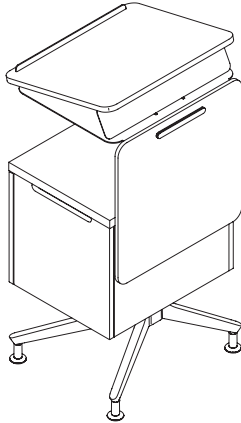
Sample Layout 2



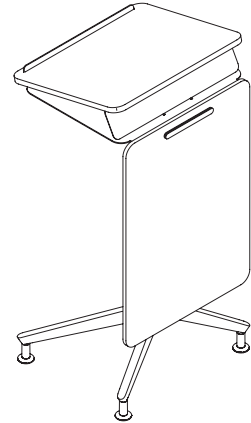
24" x 48" Rectangular Post-Leg Table & Lectern with Storage, Side-to-Side Configuration (model TJLFS & TJEA2448 shown) (top view)

Modesty Panels

Modesty panels are available in two styles:



**Modesty Panel for Lectern
with Storage**



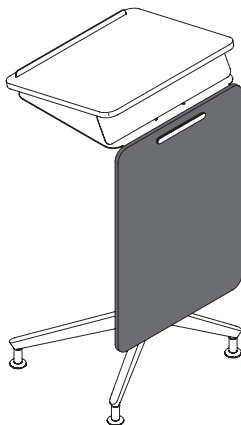
**Modesty Panel for Lectern
without Storage**

Modesty Panel Types

Modesty panels are available in two types:

PET Felt Modesty Panels:

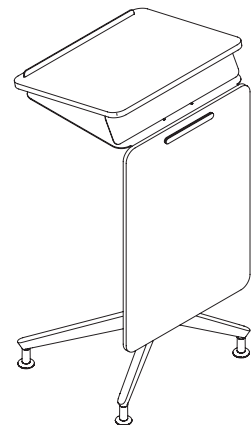
Felt PET is 1/2" thick in select KI colors.



**PET Felt
Modesty Panel**

High-Pressure Laminate Modesty Panels:

HPL is 1/2" thick and laminated on both side, and includes a 73P edge band, in standard KI colors.

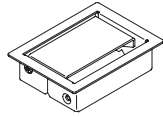


**High-Pressure Laminate
Modesty Panel**

Wire Management

Grommets

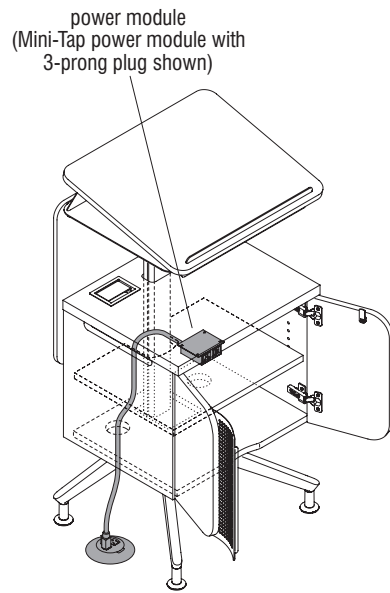
Grommets, modules and electrical components are field installed.



Lectern Access Grommet
 (2.80" x 3.79" cutout)

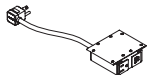
Electrical

Electrical System Overview



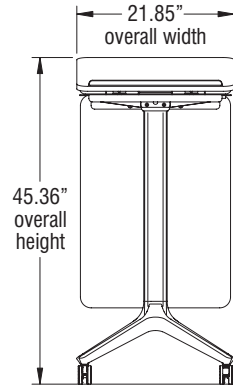
Tributaire Lectern with Power Module with 3-Prong Plug

Electrical Components

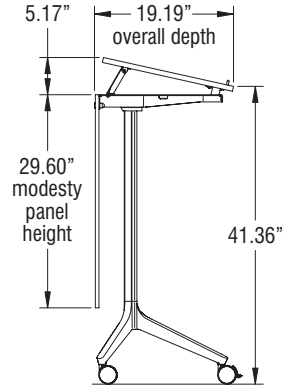
Electrical Components				
Power Options	Visual	Module Configuration	Tabletop Cutout Dimensions	Mounting Location
Mini-Tap (available with 3-prong plug)		1 power outlet, 1 dual USB A+C	N/A	below surface

DIMENSIONS

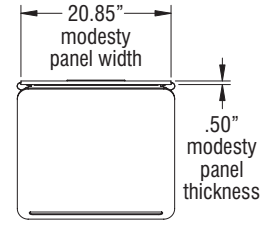
Tributaire Lectern, Fixed-Height



(front view)

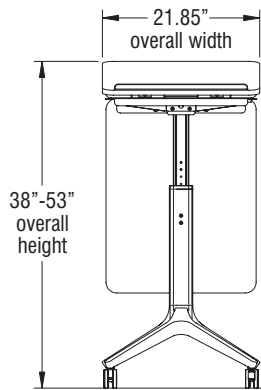


(side view)

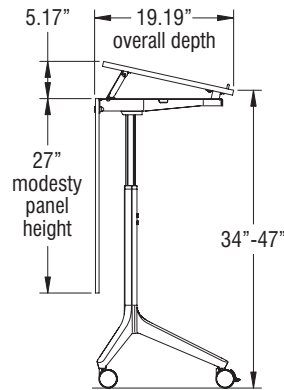


(top view)

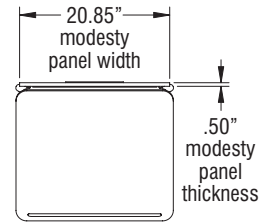
Tributaire Lectern, Screw-Adjustable Height



(front view)

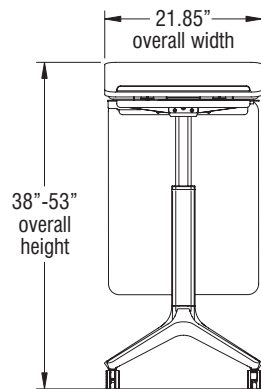


(side view)

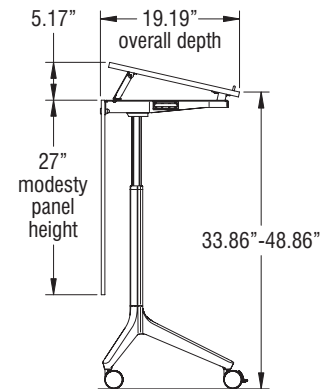


(top view)

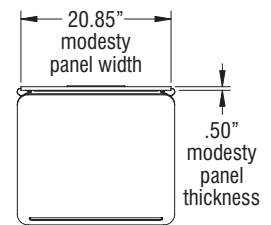
Tributaire Lectern, Pneumatic-Adjustable Height



(front view)



(side view)

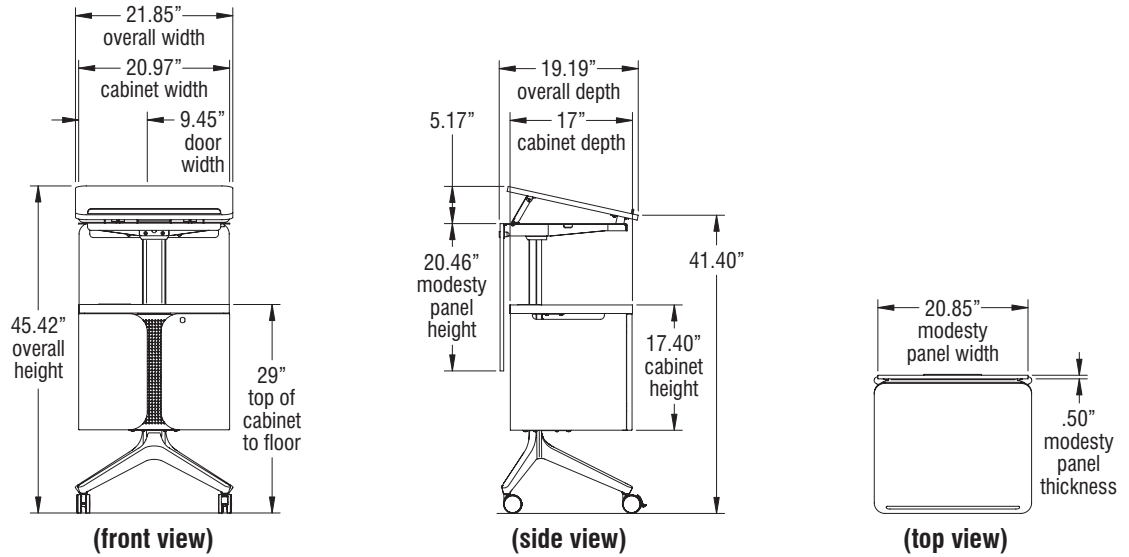


(top view)

DIMENSIONS
 (cont.)

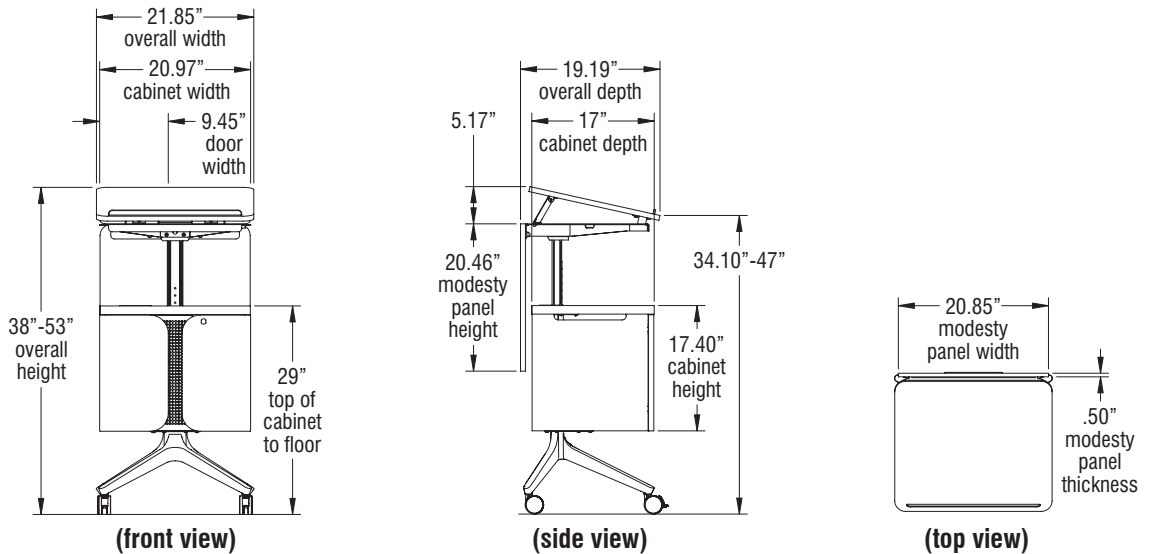
Tributaire Lectern with Storage, Fixed-Height

For storage cabinet interior dimensions, reference "Tributaire Lectern Storage Cabinet Interior Dimensions" on page 209.



Tributaire Lectern with Storage, Screw-Adjustable Height

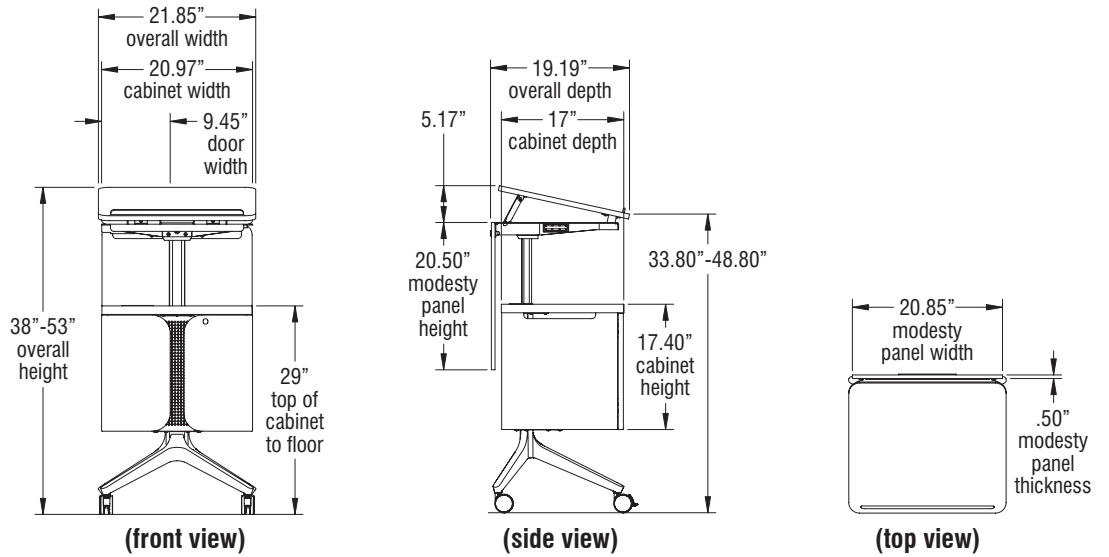
For storage cabinet interior dimensions, reference "Tributaire Lectern Storage Cabinet Interior Dimensions" on page 209.



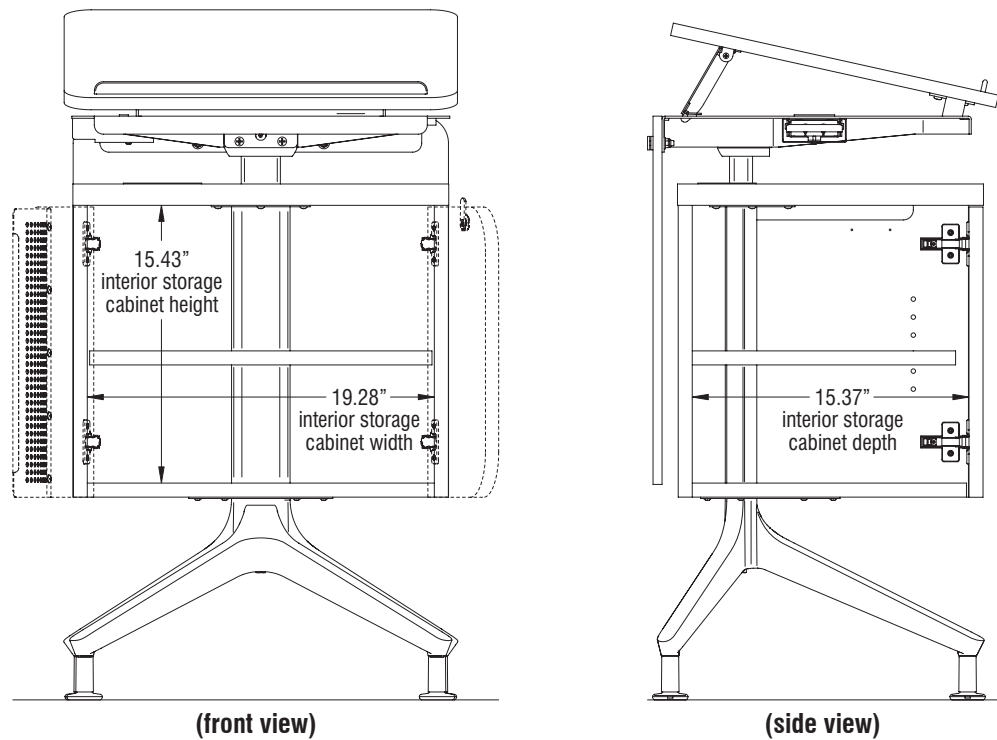
**DIMENSIONS
 (cont.)**

Tributaire Lectern with Storage, Pneumatic-Adjustable Height

For storage cabinet interior dimensions, reference "Tributaire Lectern Storage Cabinet Interior Dimensions" on this page.

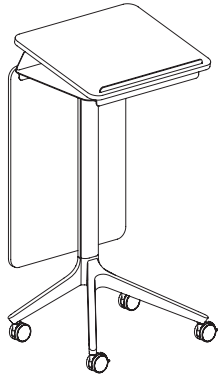


Tributaire Lectern Storage Cabinet Interior Dimensions

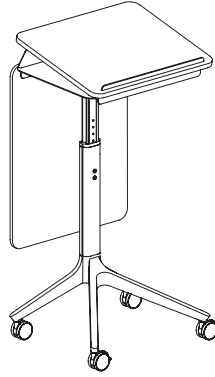


**STATEMENT OF
LINE**

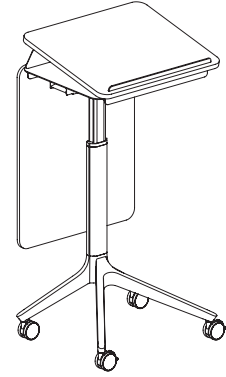
Tribulaire Lecterns without Storage



Fixed-Height
No Storage
TJLFN1922

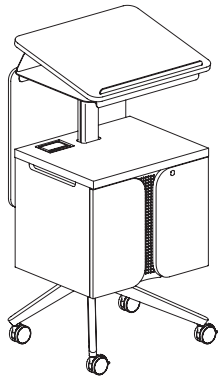


Screw Adjustable-Height
No Storage
TJLSN1922

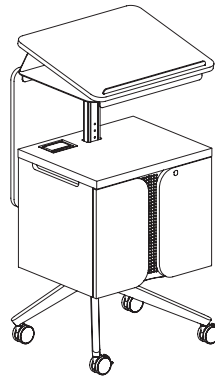


Pneumatic Adjustable-Height
No Storage
TJLPN1922

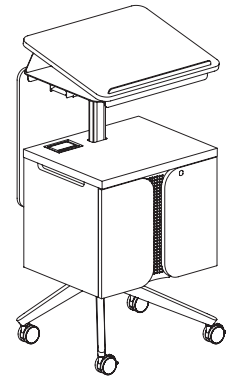
Tribulaire Lecterns with Storage



Fixed-Height
with Storage
TJLFS1922



Screw Adjustable-Height
with Storage
TJLSS1922



Pneumatic Adjustable-Height
with Storage
TJLPS1922

**Monitor Stands,
 Storage Screens,
 & Credenzas**

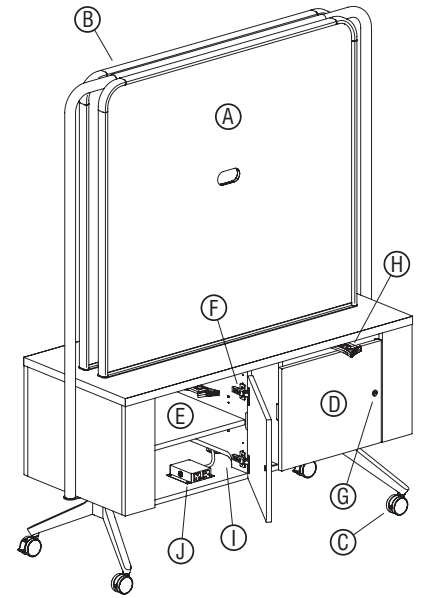
Product Overview

Monitor Stand, Storage Screen, & Credenza Features

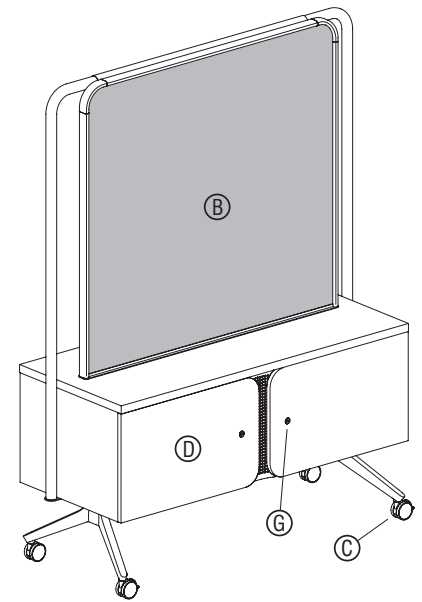
Tributaire monitor stand, storage screen and credenza features can be configured or are standard, to include:

- A. Monitor mount screen (page 211).
- B. Screen material & combinations (page 212).
- C. Caster & glide options (page 213).
- D. Storage cabinet front & back combinations (page 213).
- E. Adjustable shelves (page 214).
- F. Adjustable 110° full overlap steel hinges (page 214).
- G. Locks (page 215).
- H. Ganging (page 216).
- I. Wire management (page 217).
- J. Electrical options (page 218).

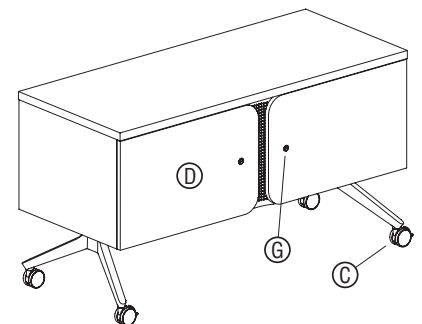
Monitor Stands, Storage Screens & Credenzas			
	Monitor Stand	Storage Screen	Credenza
Screen Material & Combinations			
No Panel	(back)	(back)	(front) (back)
Monitor Mount	(front)		
Laminated Panel	(back)		
PET Felt Panel	(back)	(front) (back)	
Fabric Panel	(back)	(front) (back)	
Makerboard Panel	(back)	(front) (back)	
Cabinet Door Combinations			
Front and Back Doors with Ganging	•	•	
Front and Back Doors with No Ganging	•	•	
Front Doors Only with Ganging	•	•	
Front Doors Only with No Ganging	•	•	•
Cabinet Features			
Lock	•	•	•
Power	•	•	•
Casters	•	•	•
Glides	•	•	•



(model TJMMM2252/DPG shown)



(model TJSFA2252/SPN shown)



(model TJCR2252 shown)

Screen Insert Material & Combinations

Monitor stand screen inserts are available in four finishes: laminated, PET felt, fabric, & markerboard. Storage screen inserts are available in three finishes: PET felt, fabric, & markerboard. Dual screen storage screens are available with a combination of one markerboard insert and one PET felt insert.

Laminate Insert

Constructed with a front surface of .030" thick high-pressure laminate (HPL) in any KI laminate color per the Product Color Options page in the Tributaire Collection pricelist. Back side is of black .030" thick high-pressure laminate. Both surfaces are glued to a medium-density fiberboard (MDF) core.

Markerboard Insert

Dry-erase magnetic steel insert front surface consists of .017" thick, white-finish steel. Back surface is a black, powder-coat painted .017" thick steel backer sheet. Both surfaces are glued to a medium-density fiberboard (MDF) core.

Monitor Stand Insert

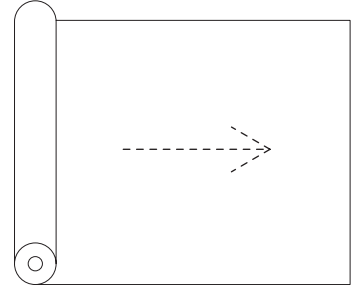
Constructed with a front surface of .030" thick high-pressure laminate (HPL) in any KI laminate color per the Product Color Options page in the Tributaire Collection pricelist. Back side is of black .030" thick high-pressure laminate. Both surfaces are glued to a medium-density fiberboard (MDF) core. Insert includes a central oblong passage for routing cables. Durable construction for installation of video monitors via customer supplied and customer installed monitor and mounting brackets. Construction allows for 100 pounds maximum monitor weight. Other storage screen models are not designed for monitor installation.

PET Felt Insert

PET felt material is 1/2" thick front to back, available in standard KI colors per the Product Color Options page in the Tributaire Collection pricelist.

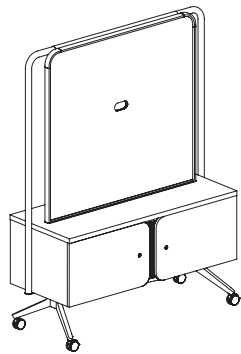
Fabric Insert

Fabric style in any approved KI fabric, glued to both sides of a pin-able, 1/2" thick low-density fiberboard (LDF) core. Fabric is oriented "railroad" (horizontal) direction.

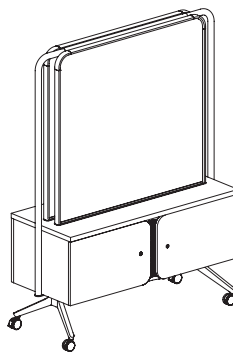


Fabric Wrap Panels

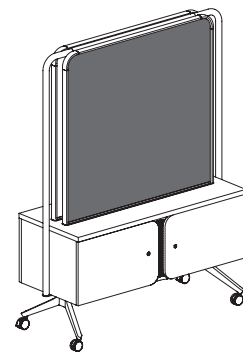
Fabric roll railroad direction. Fabric is glued on each side and trimmed flush. All trimming edges are covered by the panel framing.



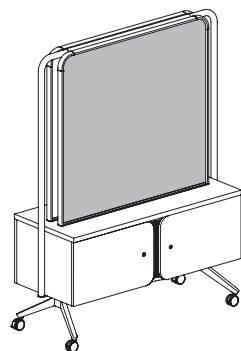
Monitor Stand Insert



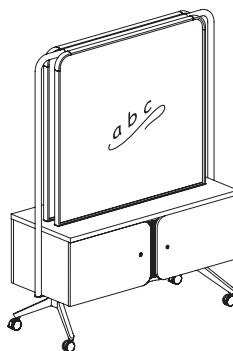
Laminate Insert



PET Felt Insert



Fabric Insert

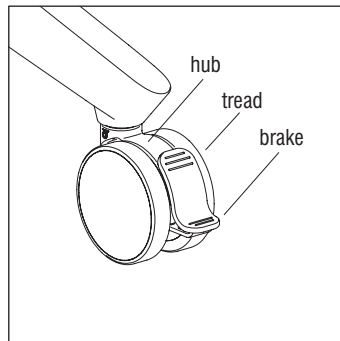


Markerboard Insert

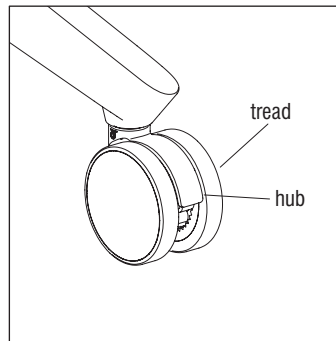
Casters & Telescopic Glides

Casters are 2.5" in diameter and are available in three color combinations: Black hub with Black tread and brake, Warm Grey hub with Warm Grey tread and brake, and also Cottonwood hub with Warm Grey tread and brake.

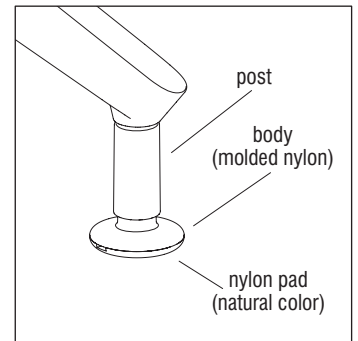
Telescopic glides are 2" in diameter and have a die cast aluminum post which matches the table base finish. Glides have a molded nylon body available in three standard colors: black, warm grey and cottonwood. The floor pad is a replaceable nylon pad. Glides offer 1.2" of adjustment.



Locking Caster



Non-Locking Caster

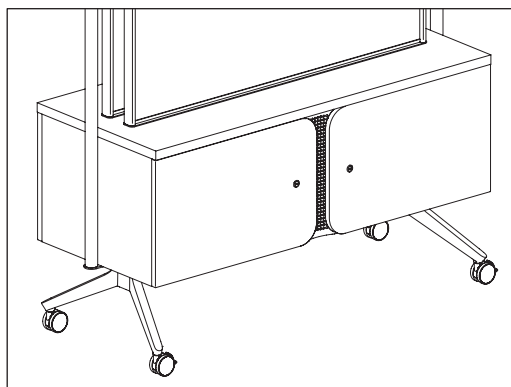


Telescopic Glide

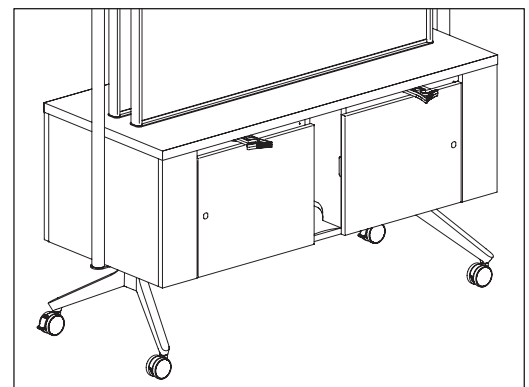
Storage Cabinet Front & Back Combinations

Cabinet Doors

Each cabinet is configured for either two or four hinge-mounted doors. One-sided cabinets have two doors. Two-sided cabinets have four doors. Cabinets may be configured for either non-ganging on both sides or ganging on one, and non-ganging on the other cabinet side. Ganging cabinet sides are designed to gang to an optional post leg table. Non-ganging door sides are hinged to swing open at the center, while ganging doors are hinged centrally and swing open at each cabinet end. Ganging cabinet doors, when closed leave an opening above each door for installed gangers.



Cabinet Doors - (non-ganging side)



Cabinet Doors - (ganging side)

Storage Cabinet Features

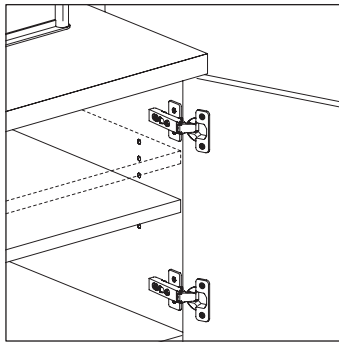
Adjustable Shelves

Adjustable shelving in two compartments allow 5" vertical height adjustment.

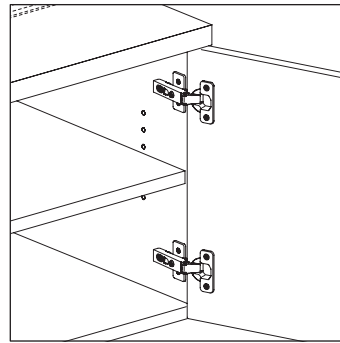
- 10 $\frac{1}{2}$ " H max. available height with shelf.
- 15 $\frac{3}{8}$ " H max. available height without shelf.
- 21" W max.
- 20 $\frac{1}{2}$ " D max.

Cabinet Door Hinges

All cabinet doors feature 110 full overlap swing, soft close hinges.



Adjustable Shelves



Cabinet Door Hinges

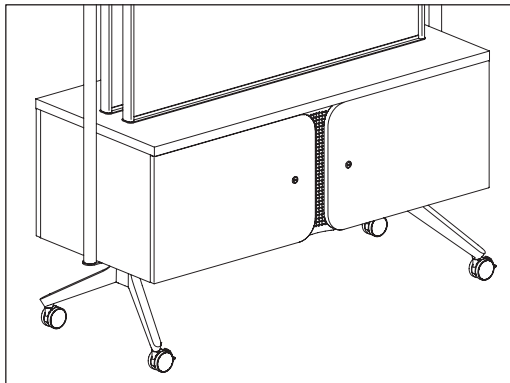
Locks

All cabinet doors may be optionally configured with keyed locks.

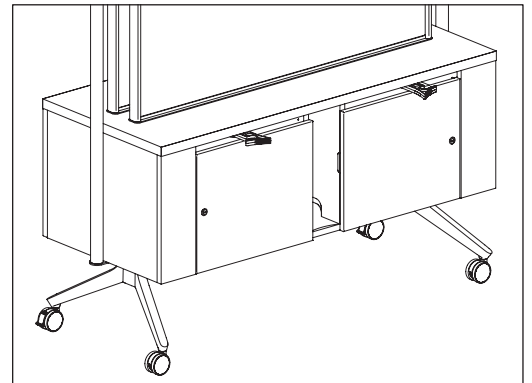
Keys

The default key is a #101 lock core & key, shipped with every storage cabinet unit ordered with the locking option. If a key is lost, or if an additional set of keys is required, order the #101 model key option.

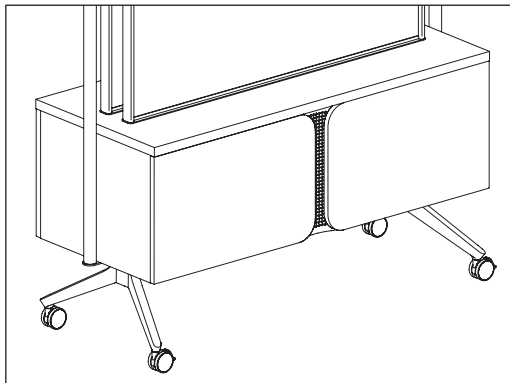
Example: If two storage cabinet units with locking option are ordered, they both will ship with two #101 key & lock options, one on each side of the cabinet. But, if one of the two cabinets must have a different lock & key option, then another pair of #102-#110 lock core & key must also be ordered as optional, to replace one pair of the standard #101 lock core & keys shipped standard in one of the cabinets. The unused pair of #101 lock cores & keys can then be discarded.



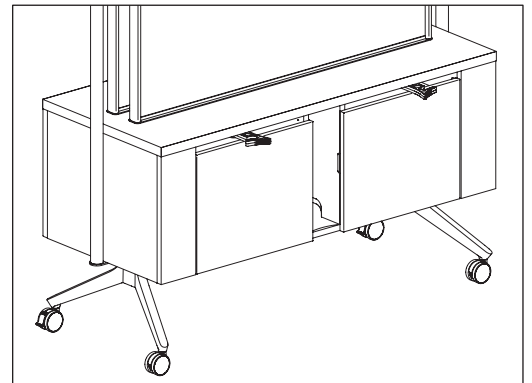
Cabinet Doors with Locks - (non-ganging side)



Cabinet Doors with Locks - (ganging side)



Cabinet Doors with No Locks - (non-ganging side)

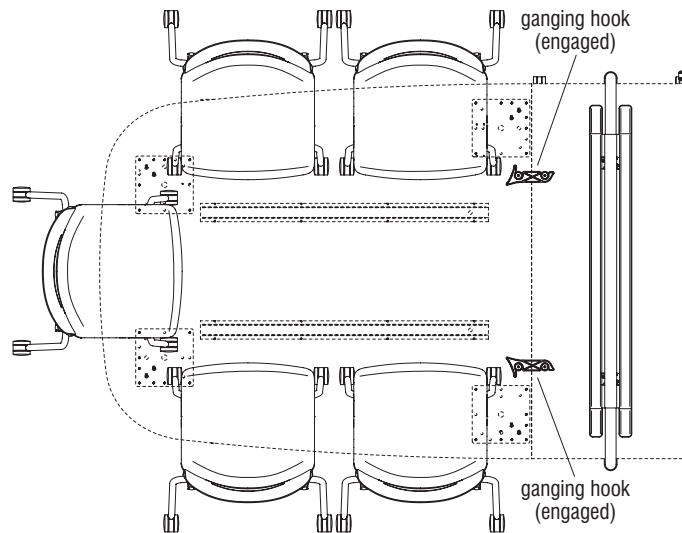


Cabinet Doors with No Locks - (ganging side)

Ganging

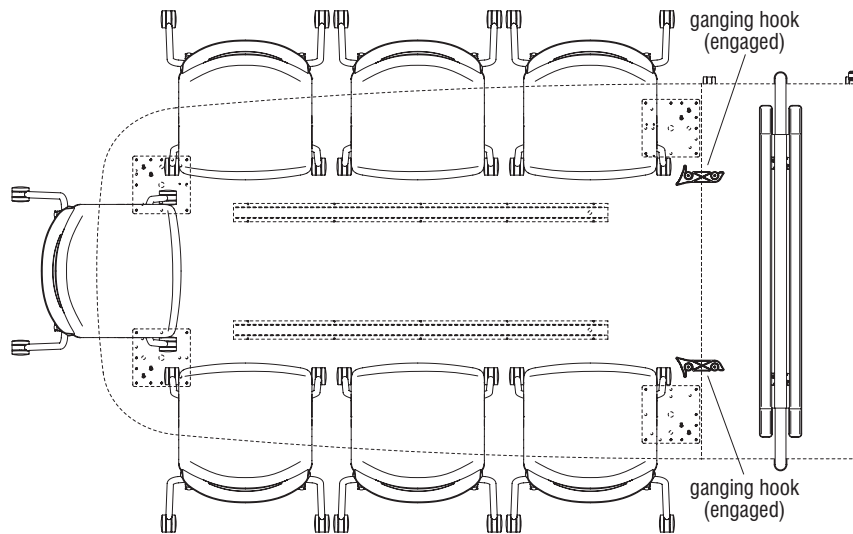
Swinging ganger hooks draw and secure table and monitor stand or storage screen together using under-mounted stationary pegs. Gangers are field installed and self-storing inside the cabinet when not in use. Tabletops and cabinets are pre-drilled for placement of ganging pegs. After the installation of the ganging pegs, no tools are required to join table and monitor stand or storage screen together.

Sample Layout 1



**52" x 60" Half-Rounded Square Post-Leg Table & Monitor Stand/Storage Screen
(model TJEASS5260 & TJMFA2252 shown) (top view)**

Sample Layout 2



**52" x 84" Half-Rounded Square Post-Leg Table & Monitor Stand/Storage Screen
(model TJEASS5284 & TJMFA2252 shown) (top view)**

Wire Management

Cabinet Top Cutout

Only available on monitor stand units.

Plenum

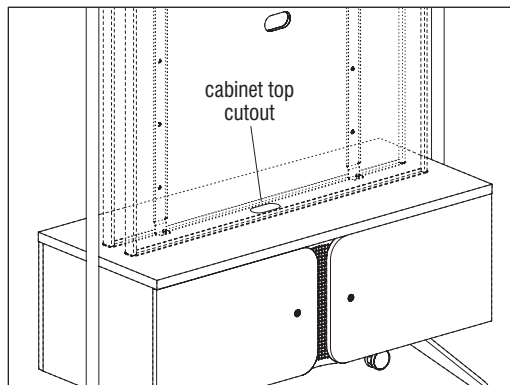
Cabinet includes a central front-to-back and top-to-bottom open plenum for storage of, and aid in routing cords and cables. Plenums have two upper and two lower horizontal wire pass throughs to allow cords and cables to be routed on either level of the adjustable shelves.

Cabinet Underside Cutouts

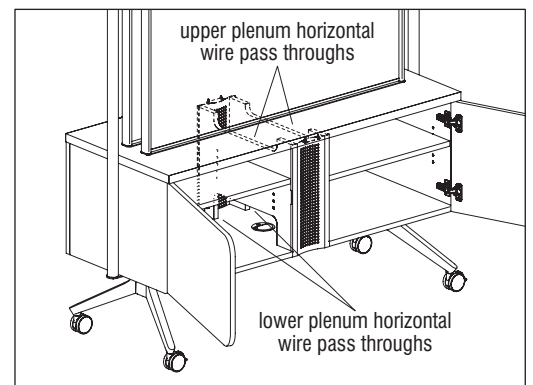
Only available on monitor stand or storage screen units that have two-sided cabinets.

Cabinet Wire Pass Through

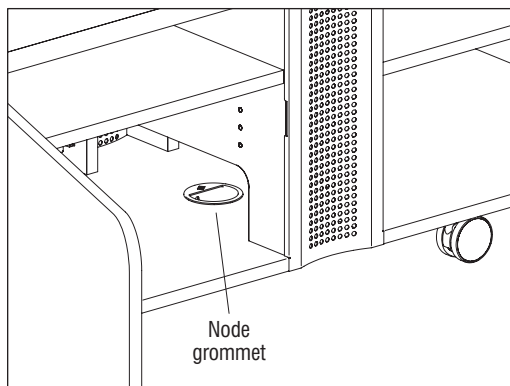
Only available on monitor stand or storage screen units that have one-sided cabinets.



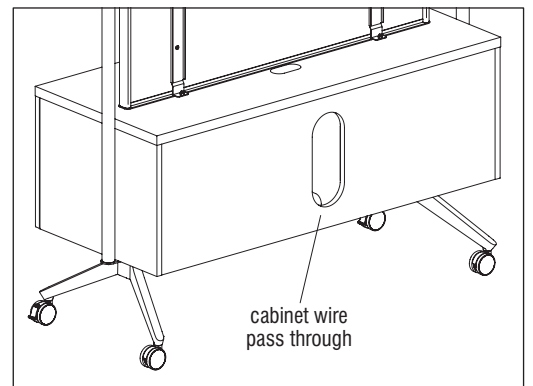
Cabinet Top Cutout



Plenum Horizontal Wire Pass Throughs



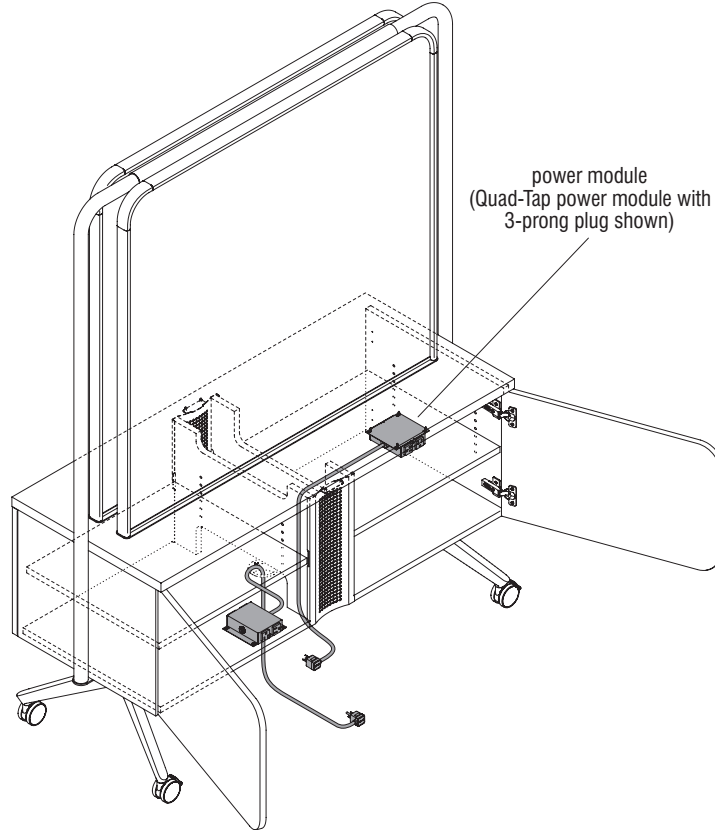
Underside Node Grommet



Cabinet Wire Pass Through

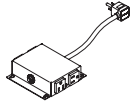
Electrical

Electrical System Overview



Tributaire Monitor Stand or Storage Screen with Power Module with 3-Prong Plug

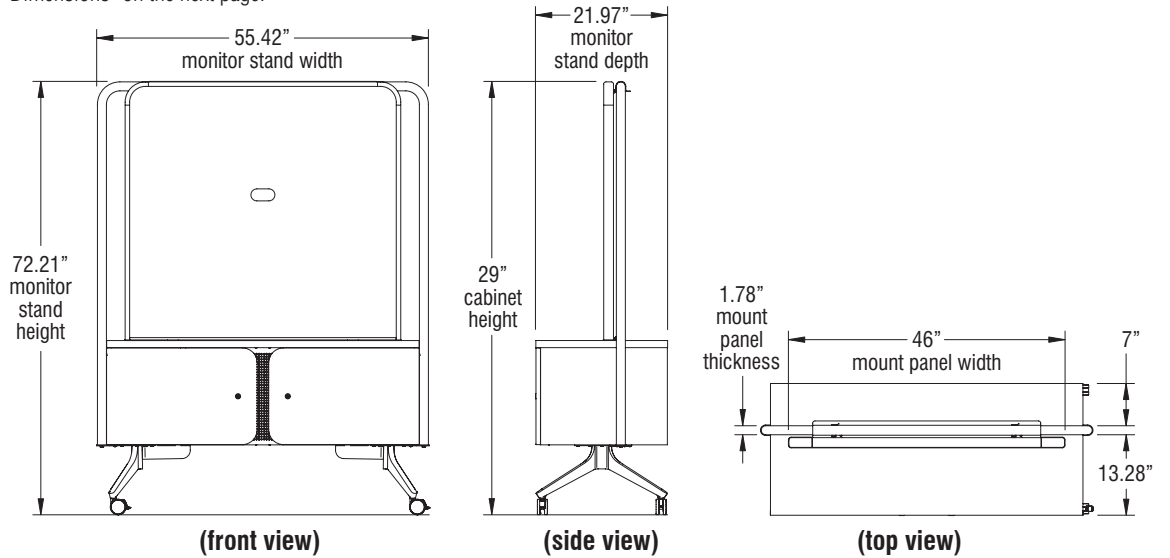
Electrical Components

Electrical Components				
Power Options	Visual	Module Configuration	Tabletop Cutout Dimensions	Mounting Location
Quad-Tap (available with 3-prong plug)		4 power outlet	N/A	below surface

DIMENSIONS

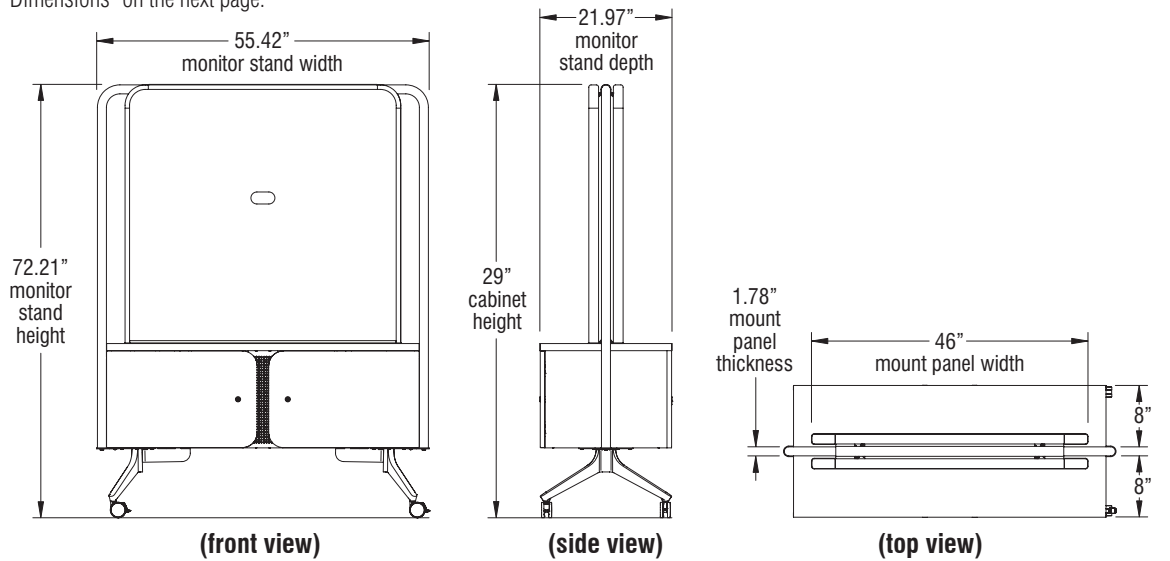
Tributaire Monitor Stand or Storage Screen with No Rear Panel

For storage cabinet interior dimensions, reference "Tributaire Monitor Stand, Storage Screen & Credenza Storage Cabinet Interior Dimensions" on the next page.



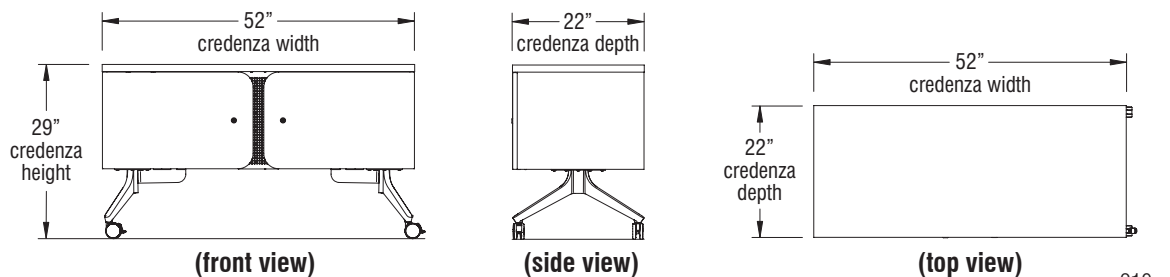
Tributaire Monitor Stand or Storage Screen with Rear Panel

For storage cabinet interior dimensions, reference "Tributaire Monitor Stand, Storage Screen & Credenza Storage Cabinet Interior Dimensions" on the next page.



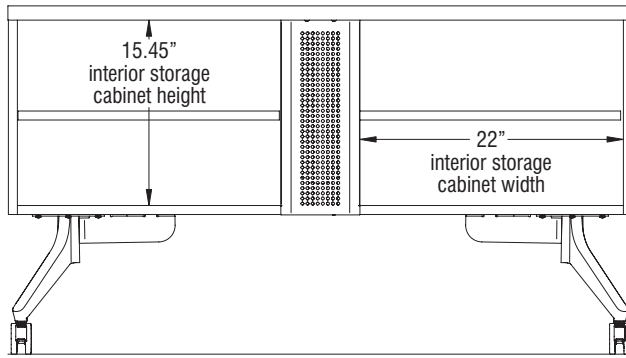
Tributaire Credenza

For storage cabinet interior dimensions, reference "Tributaire Monitor Stand, Storage Screen & Credenza Storage Cabinet Interior Dimensions" on the next page.

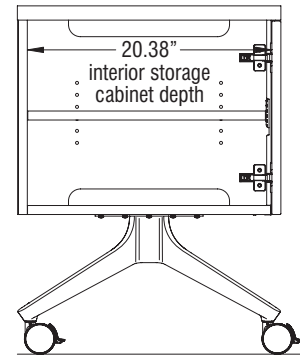


DIMENSIONS
 (cont.)

Tributaire Monitor Stand, Storage Screen & Credenza Storage Cabinet Interior Dimensions



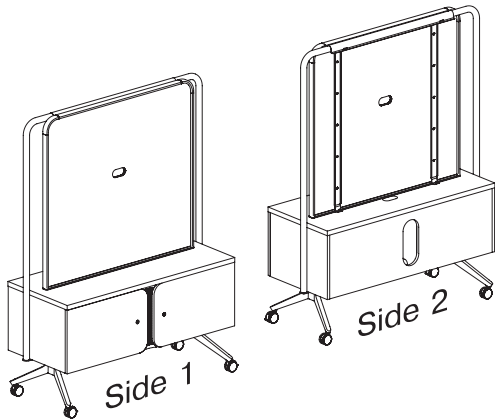
(front view)



(side view)

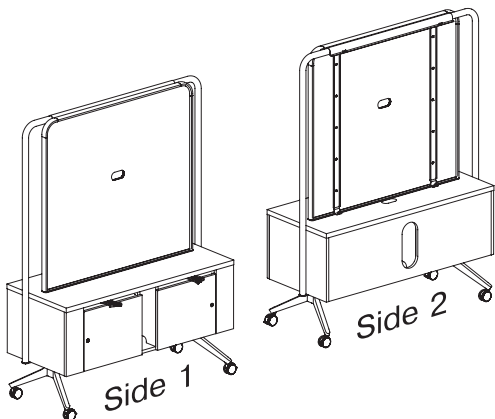
STATEMENT OF LINE

Tributaire Monitor Stands - Single Panel (no ganging)



No Rear Panel
 TJMNP2252/SPN

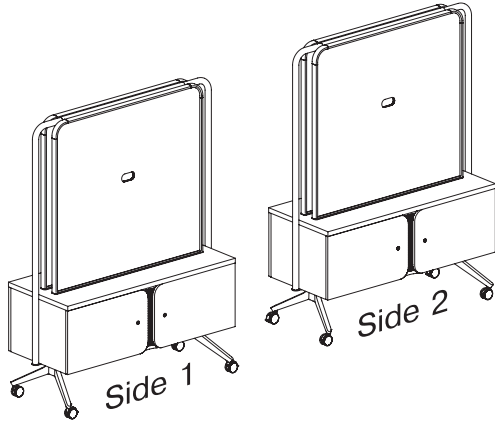
Tributaire Monitor Stands - Single Panel (ganging)



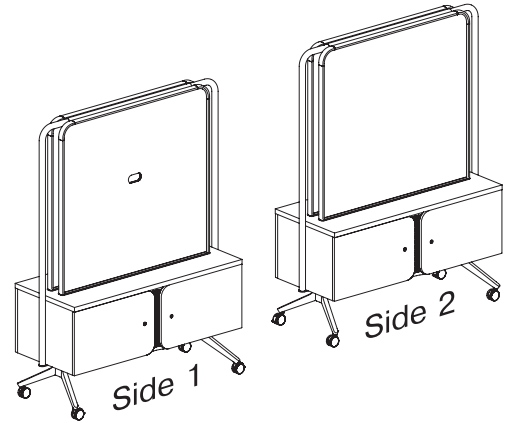
No Rear Panel
 TJMNP2252/SPG

STATEMENT OF
 LINE (cont.)

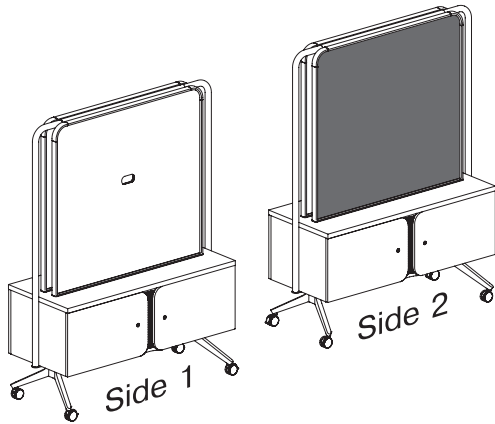
Tributaire Monitor Stands - Dual Panels (no ganging)



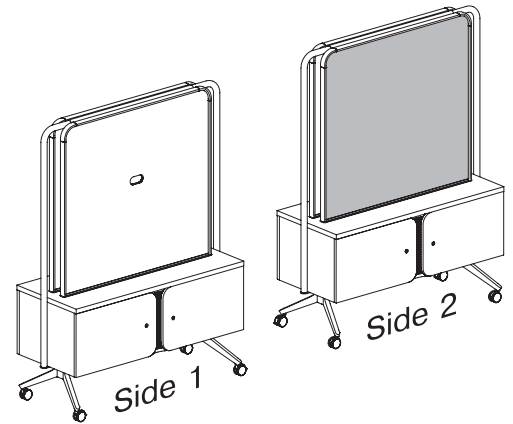
Laminated Monitor Mount
 Rear Panel
 TJMMM2252



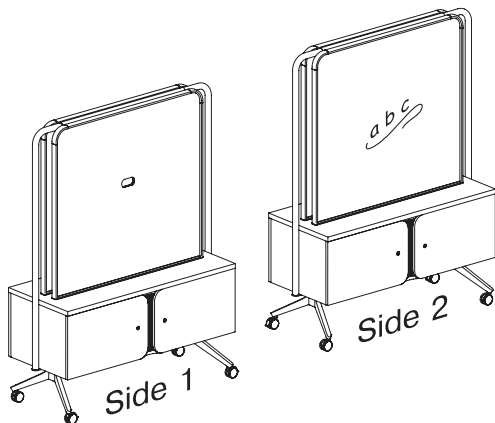
Laminated Rear Panel
 No Monitor Mount
 TJMLA2252



PET Felt Rear Panel
 TJMPF2252



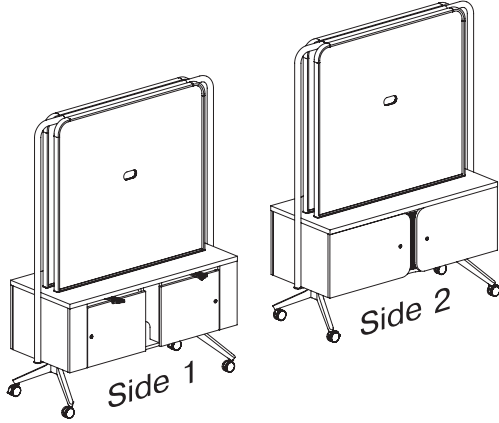
Fabric Rear Panel
 TJMFA2252



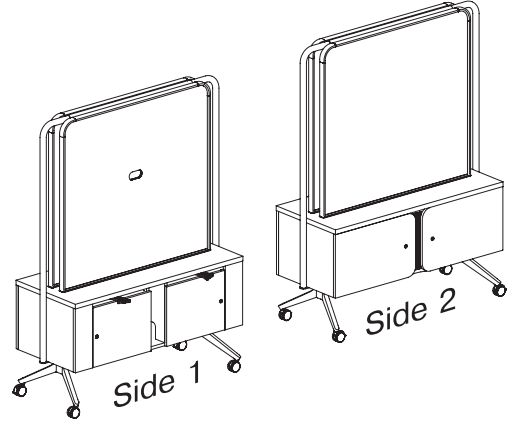
Markerboard Rear Panel
 TJMMB2252

STATEMENT OF
 LINE (cont.)

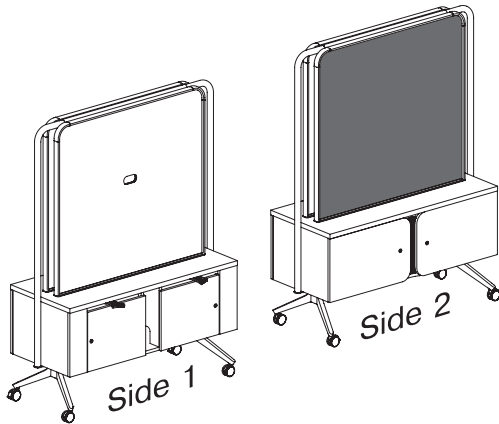
Tributaire Monitor Stands - Dual Panels (ganging)



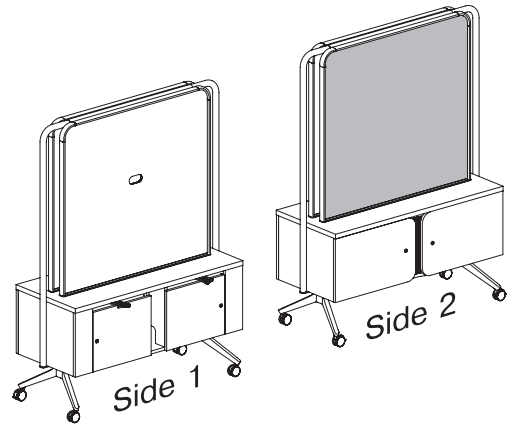
Laminated Monitor Mount
 Rear Panel
 TJMMM2252/DPG



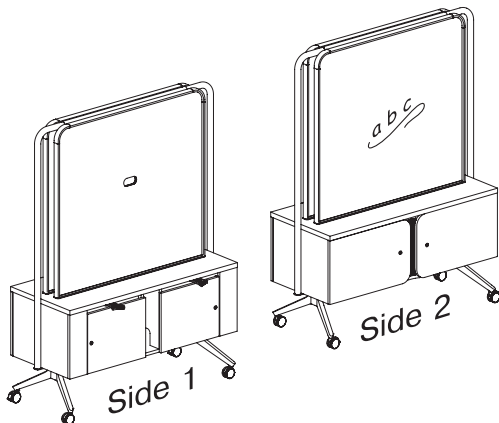
Laminated Rear Panel
 No Monitor Mount
 TJMLA2252/DPG



PET Felt Rear Panel
 TJMPF2252/DPG



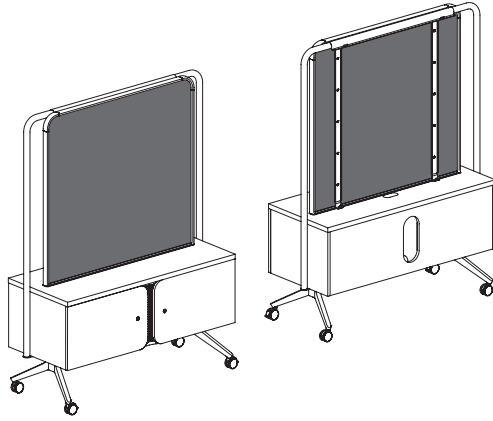
Fabric Rear Panel
 TJMFA2252/DPN



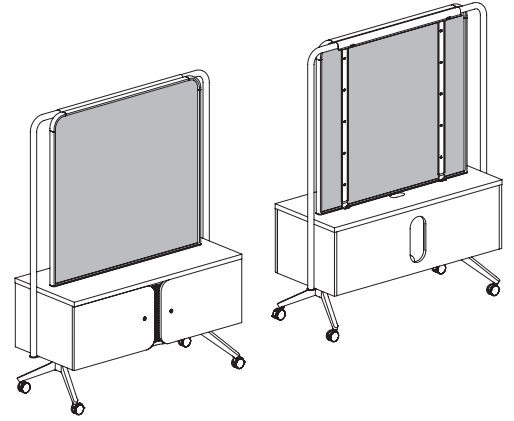
Markerboard Rear Panel
 TJMMB2252/DPG

STATEMENT OF
LINE (cont.)

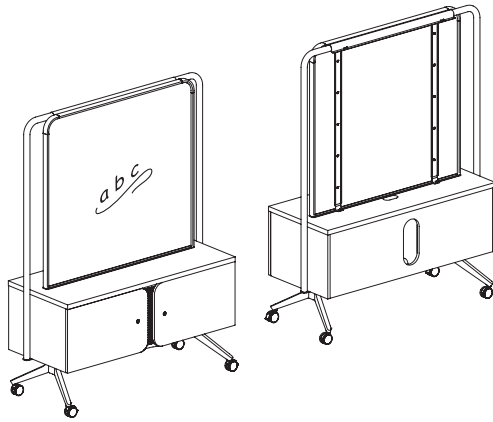
Tributaire Storage Screens - Single Panel (no ganging)



PET Felt Panel
TJSPF2252/SPN



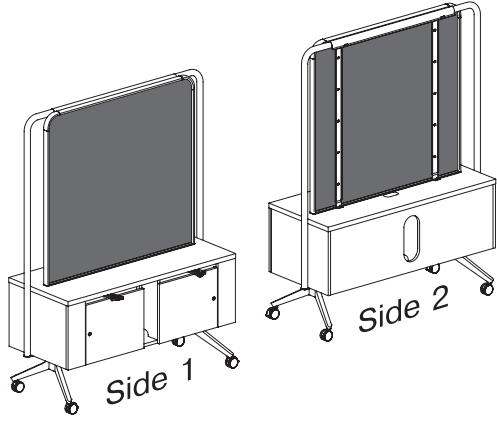
Fabric Panel
TJSFA2252/SPN



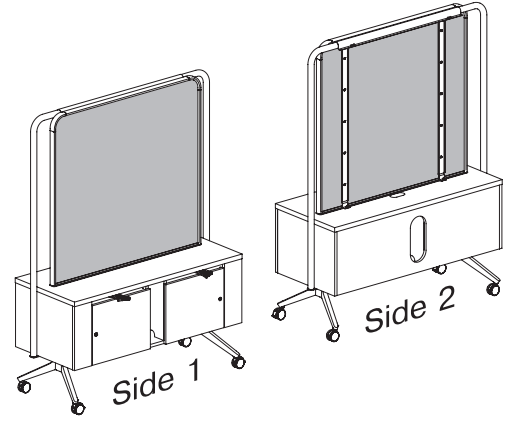
Markerboard Panel
TJSMB2252/SPN

STATEMENT OF
LINE (cont.)

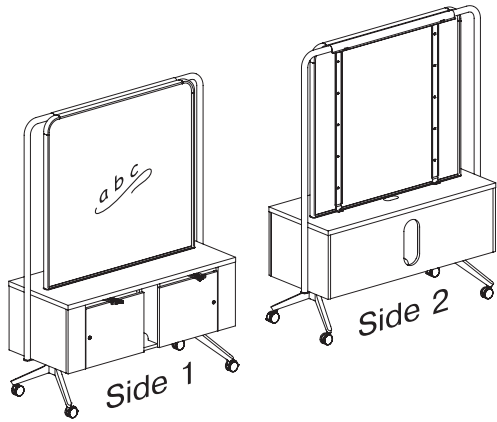
Tributaire Storage Screens - Single Panel (ganging)



PET Felt Panel
TJSPF2252/SPG



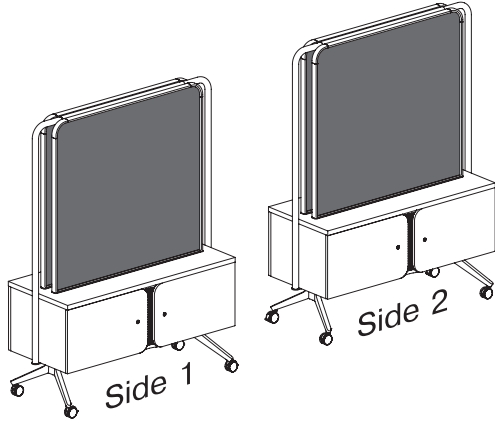
Fabric Panel
TJSFA2252/SPG



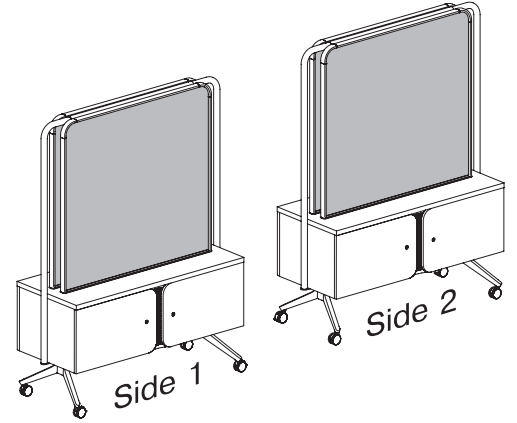
Markerboard Panel
TJSMB2252/SPG

STATEMENT OF
LINE (cont.)

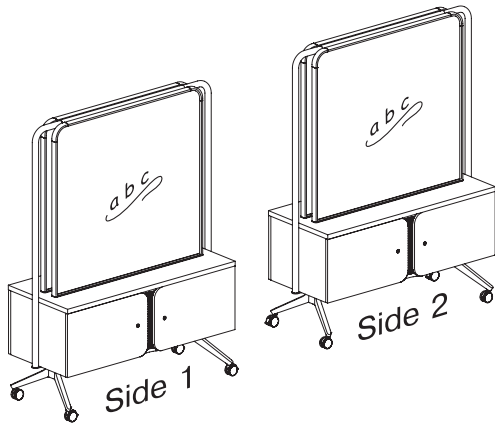
Tributaire Storage Screens - Dual Panels (no ganging)



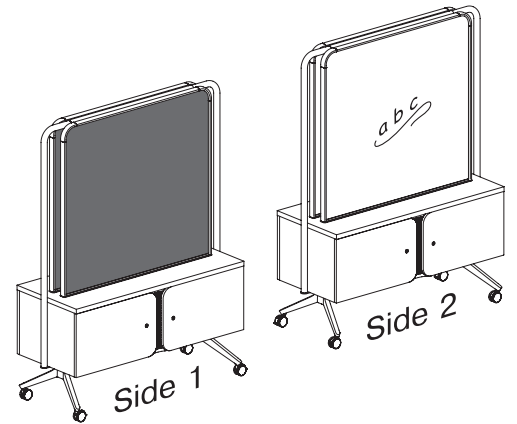
PET Felt Panels
TJSPF2252



Fabric Panels
TJSFA2252



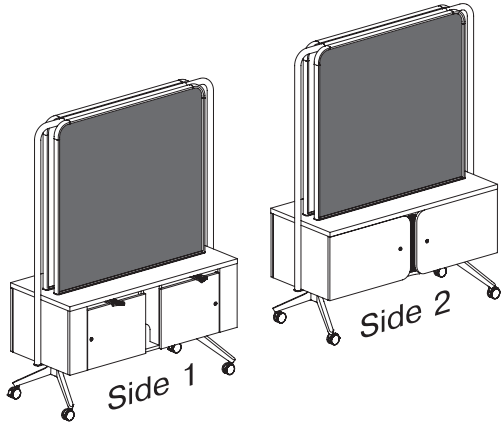
Markerboard Panels
TJSMB2252



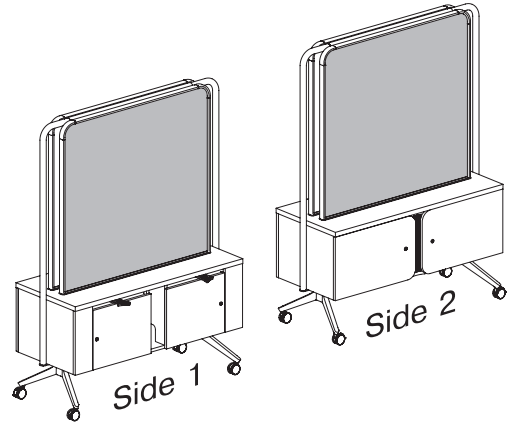
Markerboard & PET Felt Panels
TJSMP2252

**STATEMENT OF
 LINE (cont.)**

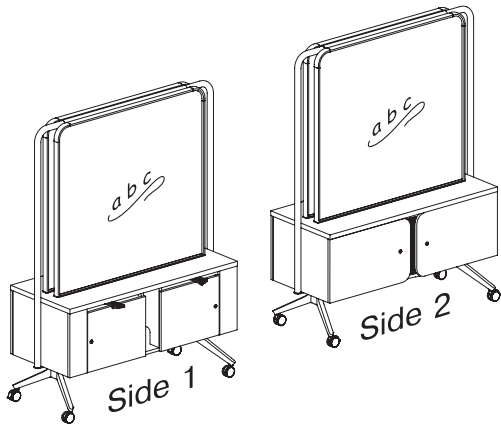
Tribulaire Storage Screens - Dual Panels (ganging)



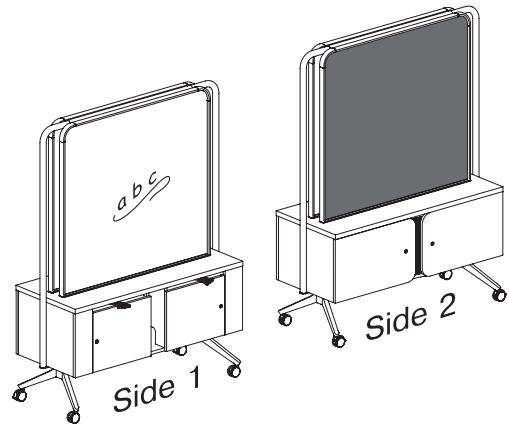
PET Felt Panels
 TJSPF2252/DPG



Fabric Panels
 TJSFA2252/DPG

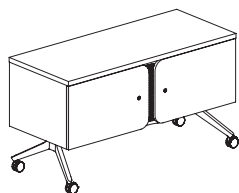


Markerboard Panel
 TJSMB2252/DPG



Markerboard & PET Felt Panels
 TJSMP2252/DPG

Tribulaire Credenza



TJCR2252

KI
1330 Bellevue Street
Green Bay, Wisconsin 54302
1-800-424-2432
www.ki.com

KI is a registered trademark
of Krueger International, Inc.

© 2025 Krueger International, Inc.
All Rights Reserved
Code KI-PG-000039R7/KI/PDF/0525

