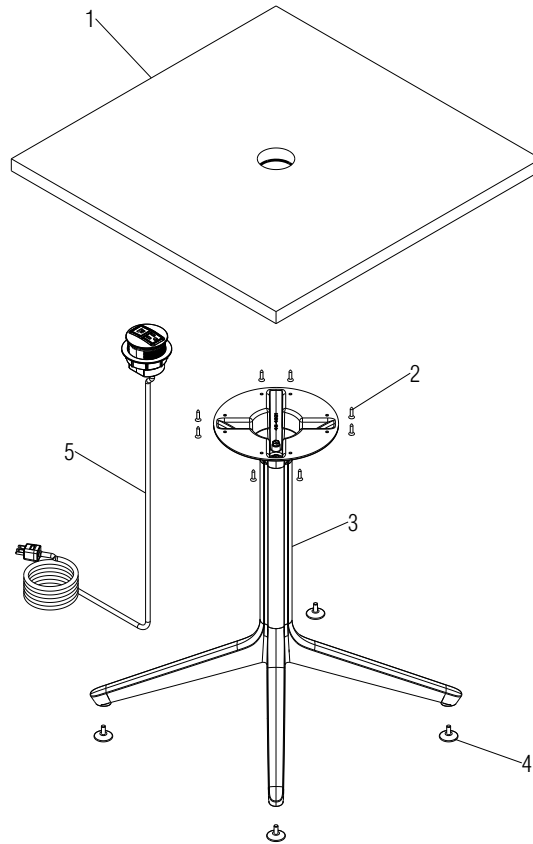


Parts Diagram

Tributaire™ Collection
Café X-Base Table

September 2024



.XX = Select Paint or Finish
.SIZE = Cord Length

Item	Part Number	Item Description	Req Qty
1	Contact KI	Table Top, X-Base Cafe	1
2	46.6670	Screw, #12 x 1" Phillips Flat Head	8
3	Contact KI	Assembly, Cafe Table Leg	1
4	46.4703.N	Glide, 1-1/2" x 3/4" Nylon Base, 5/16-18 Thread	4
5	46.8053.SIZE.XX	Power Module, Node® In-Surface, with 3-Prong Plug	1

