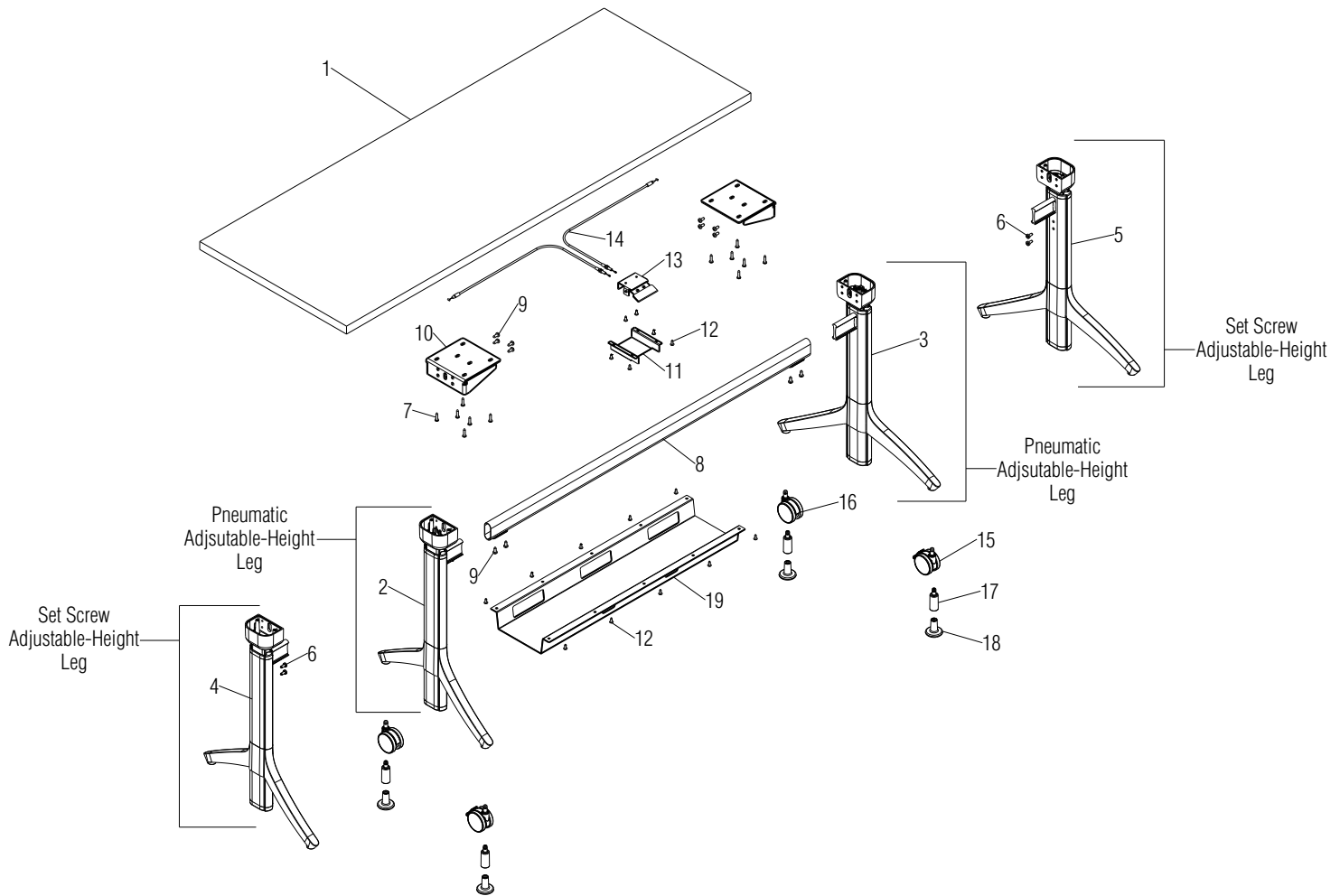


Parts Diagram

Tributaire™ Collection
Adjustable-Height Training Table

January 2025



.XX = Select Paint or Finish

.SIZE = Select Size

Items 4, 5 & 6 used on Screw Adjustable-Height Tables only.

Items 2, 3, 11, 12, 13 & 14 used on Pneumatic Adjustable-Height Tables only.

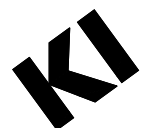
48" & 54" wide tables use 48" wide Items 8 & 19.

60" & 66" wide tables use 60" wide Items 8 & 19.

72" wide tables use 72" wide Items 8 & 19.

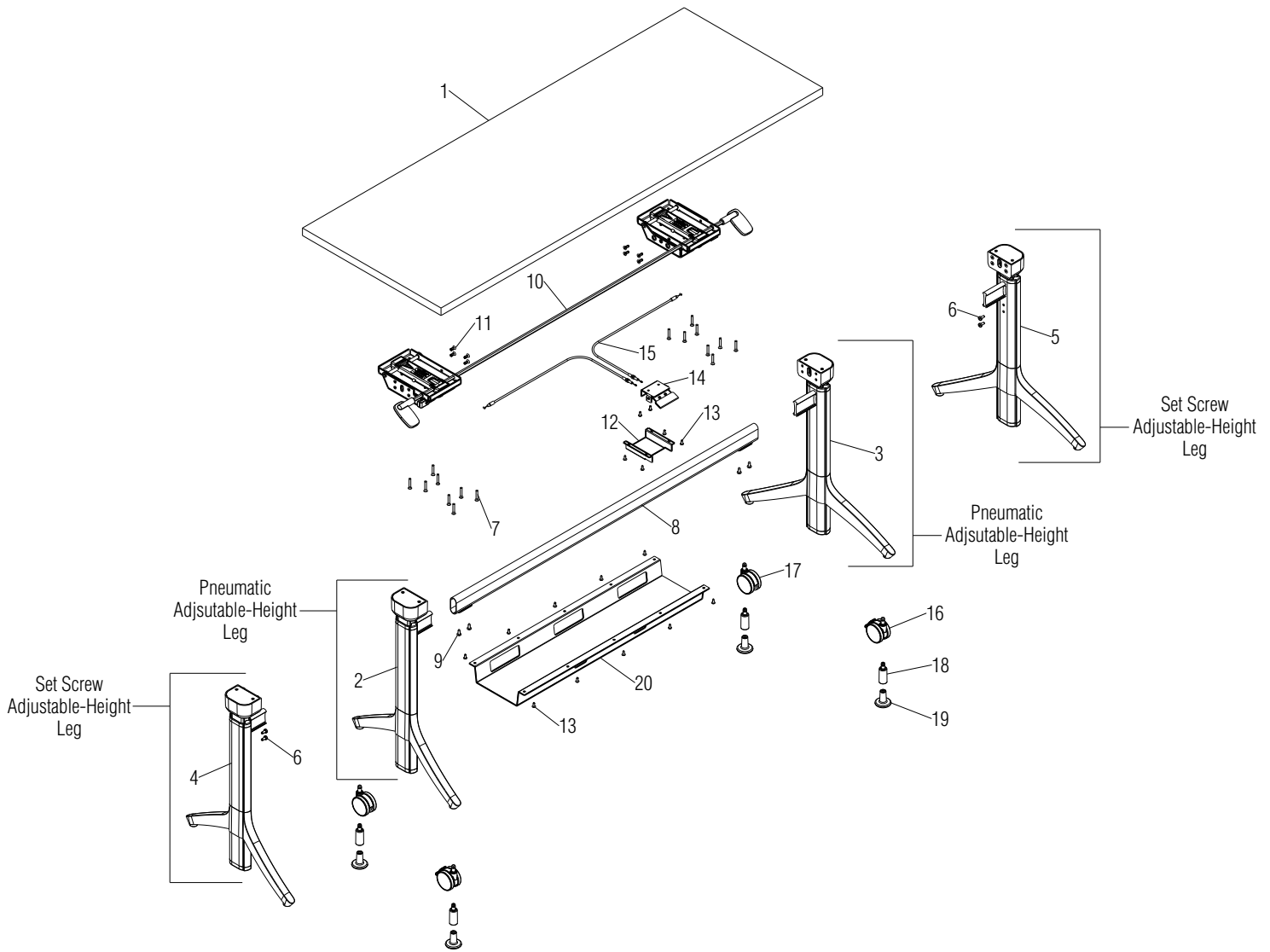
Fixed-Top Adjustable-Height Training Table

Item	Part Number	Item Description	Req Qty	Item	Part Number	Item Description	Req Qty
1	Contact KI	Table Top, Rectangular Adjustable-Height	1	10	46.7711.BL	Plate, Fixed Table Top	2
2	Contact KI	Assembly, Left-Hand Pneumatic Adjustable-Height Leg	1	11	46.7636.BL	Cover, Actuator	1
3	Contact KI	Assembly, Right-Hand Pneumatic Adjustable-Height Leg	1	12	12.0041	Screw, #10-16 x 5/8", Phillips Tapping	6-16
4	Contact KI	Assembly, Left-Hand Screw Adjustable-Height Leg	1	13	46.7670.BL	Assembly, Cable Actuator (includes two Item 14)	1
5	Contact KI	Assembly, Right-Hand Screw Adjustable-Height Leg	1	14	46.7613.BL	Cable, Release	2
6	46.8010.BL	Screw, 1/4-20 x 1/2", Serrated Allen	4	15	46.4769.CXX	Caster, Ø 65mm Locking	2
7	12.0166	Screw, #12 x 1" Phillips Pan Head	16	16	46.4768.CXX	Caster, Ø 65mm Non-Locking	2
8	46.4836.SIZE.A.XX	Assembly, Training Table Stringer	1	17	46.4772.XX	Glide, Body	4
9	12.0074.P	Screw, 1/4-20 x 5/8" Torx Pan Head	4	18	46.4790.GXX	Glide, Base	4
				19	46.7625.SIZE.XX	Trough, Cable	1



■ Tributaire™ Collection - Adjustable-Height Training Table

Parts Diagram



Nesting-Top Adjustable-Height Training Table

.XX = Select Paint or Finish

.SIZE = Select Size

Items 4, 5 & 6 used on Screw Adjustable-Height Tables only.

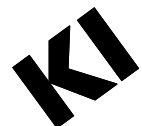
Items 2, 3, 12, 13, 14 & 15 used on Pneumatic Adjustable-Height Tables only.

48" & 54" wide tables use 48" wide Items 8, 10 & 20.

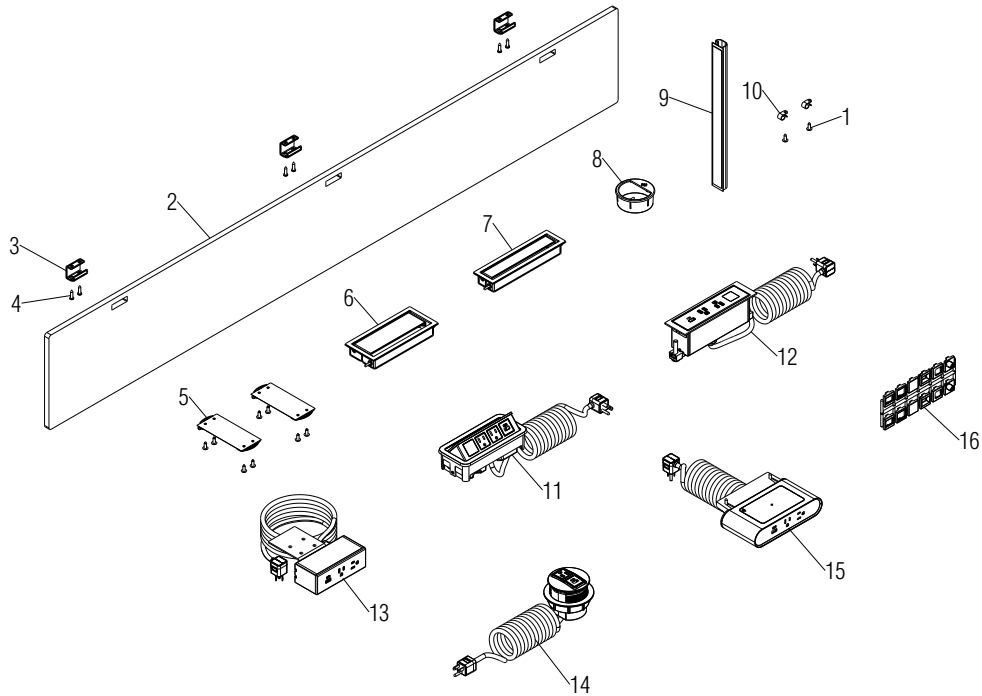
60" & 66" wide tables use 60" wide Items 8, 10 & 20.

72" wide tables use 72" wide Items 8, 10 & 20.

Item	Part Number	Item Description	Req Qty	Item	Part Number	Item Description	Req Qty
1	Contact KI	Table Top, Rectangular Adjustable-Height	1	11	12.0873.BL	Screw, 1/4-20 x 5/8" Phillips Flat Head Thread Cutting	8
2	Contact KI	Assembly, Left-Hand Pneumatic Adjustable-Height Leg	1	12	46.7636.BL	Cover, Actuator	1
3	Contact KI	Assembly, Right-Hand Pneumatic Adjustable-Height Leg	1	13	12.0041	Screw, #10-16 x 5/8", Phillips Tapping	6-16
4	Contact KI	Assembly, Left-Hand Screw Adjustable-Height Leg	1	14	46.7670.BL	Assembly, Cable Actuator (includes two Item 15)	1
5	Contact KI	Assembly, Right-Hand Screw Adjustable-Height Leg	1	15	46.7613.BL	Cable, Release	2
6	46.8010.BL	Screw, 1/4-20 x 1/2", Serrated Allen	4	16	46.4769.CXX	Caster, Ø 65mm Locking	2
7	46.7615.BL	Screw, #12 X 1-1/2" Phillips Flat Head	16	17	46.4768.CXX	Caster, Ø 65mm Non-Locking	2
8	46.4836.SIZE.A.XX	Assembly, Training Table Stringer	1	18	46.4772.XX	Glide, Body	4
9	12.0074.P	Screw, 1/4-20 x 5/8" Torx Pan Head	4	19	46.4790.GXX	Glide, Base	4
10	46.4782.SIZE	Assembly, Nesting Table Support	1	20	46.7625.SIZE.XX	Trough, Cable	1



Tributaire™ Collection - Adjustable-Height Training Table
Parts Diagram



.XX = Select Paint or Finish
.SIZE = Select Size or Cord Length

Item	Part Number	Item Description	Req Qty
1	12.0041	Screw, #10-16 x 5/8" Phillips Pan Head	varies
2	46.6210.SIZE.XX	Modesty Panel, Polyester Felt	1
3	46.6193.XX	Bracket, Modesty Panel	3
4	12.0272	Screw, #10 x 3/4" Phillips Pan Head	6
5	87.9323	Assembly, Velcro Wire Manager	2
6	48.0736.GA.XX	Grommet, Nacre® Power Access	1
7	48.0736.GD.XX	Grommet, Dean® Power Access	1
8	48.0399.XX	Grommet, Node® Combo Power Module	1
9	46.7715.14T.XX	Assembly, Vertical Wire Manager Channel with Tape	1
10	48.0737	Cord Clamp, Wire Management	2
11	46.8057.SIZE.XX	Power Module, Nacre® In-Surface Pop-Up, with 3-Prong Plug	1
12	46.8051.SIZE.XX	Power Module, Dean® In-Surface, with 3-Prong Plug	1
13	46.8066.SIZE.XX	Power Module, Dean® Undersurface USB AC with 3-Prong Plug	1
14	46.8053.SIZE.XX	Power Module, Node® In-Surface, with 3-Prong Plug	1
15	46.8040.SIZE.XX	Power Module, Dubbel® Undersurface, with 3-Prong Plug	1
16	48.0738.XX	Bracket Tree, Data Adapter	1

