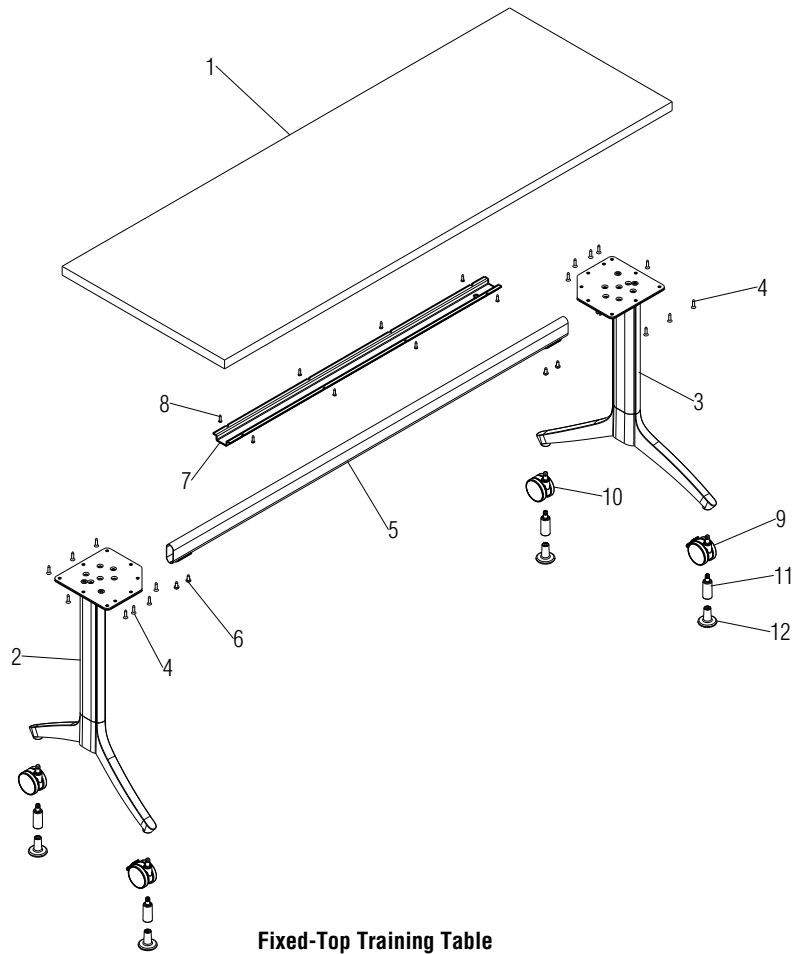


# Parts Diagram

Tributaire™ Collection  
Fixed-Height Training Table

January 2025



**Fixed-Top Training Table**

.XX = Select Paint or Finish

.SIZE = Select Size

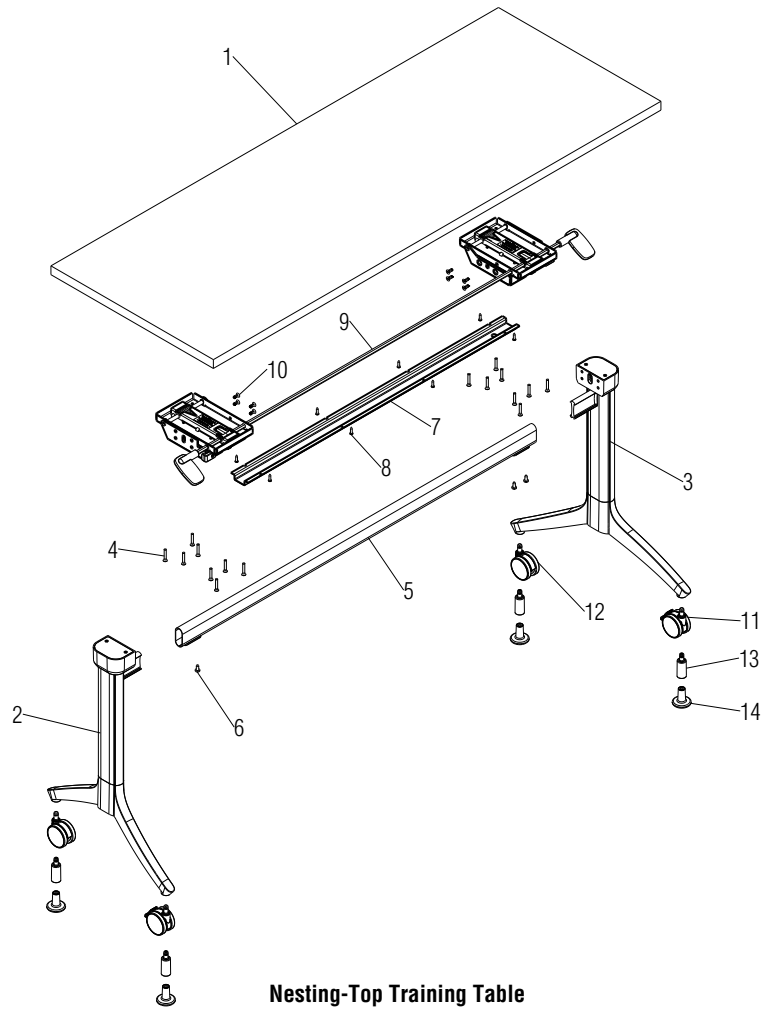
36" x 66" & 36" x 72" tables require two worksurface stiffeners.

Item	Part Number	Item Description	Req Qty
1	Contact KI	Table Top, Rectangular Fixed-Height	1
2	TJF.SIZE.L.XX	Assembly, Left-Hand Fixed Leg	1
3	TJF.SIZE.R.XX	Assembly, Right-Hand Fixed Leg	1
4	46.6670	Screw, #12 x 1" Phillips Flat Head	16
5	46.4836.SIZE.A.XX	Assembly, Training Table Stringer	1
6	12.0074.P	Screw, 1/4-20 x 5/8" Torx Pan Head	4
7	44.1657.40	Stiffner, Worksurface (for 66" wide table) (see note)	1-2
	44.1657.46	Stiffner, Worksurface (for 72" wide table) (see note)	1-2
8	12.0272	Screw, #10 x 3/4" Phillips Pan Head	8-16
9	46.4769.CXX	Caster, Ø65mm Locking	2
10	46.4768.CXX	Caster, Ø65mm Non-Locking	2
11	46.4772.XX	Glide, Body	4
12	46.4790.GXX	Glide, Base	4



■ Tributaire™ Collection - Fixed-Height Training Table

Parts Diagram



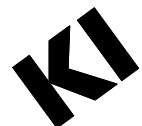
**Nesting-Top Training Table**

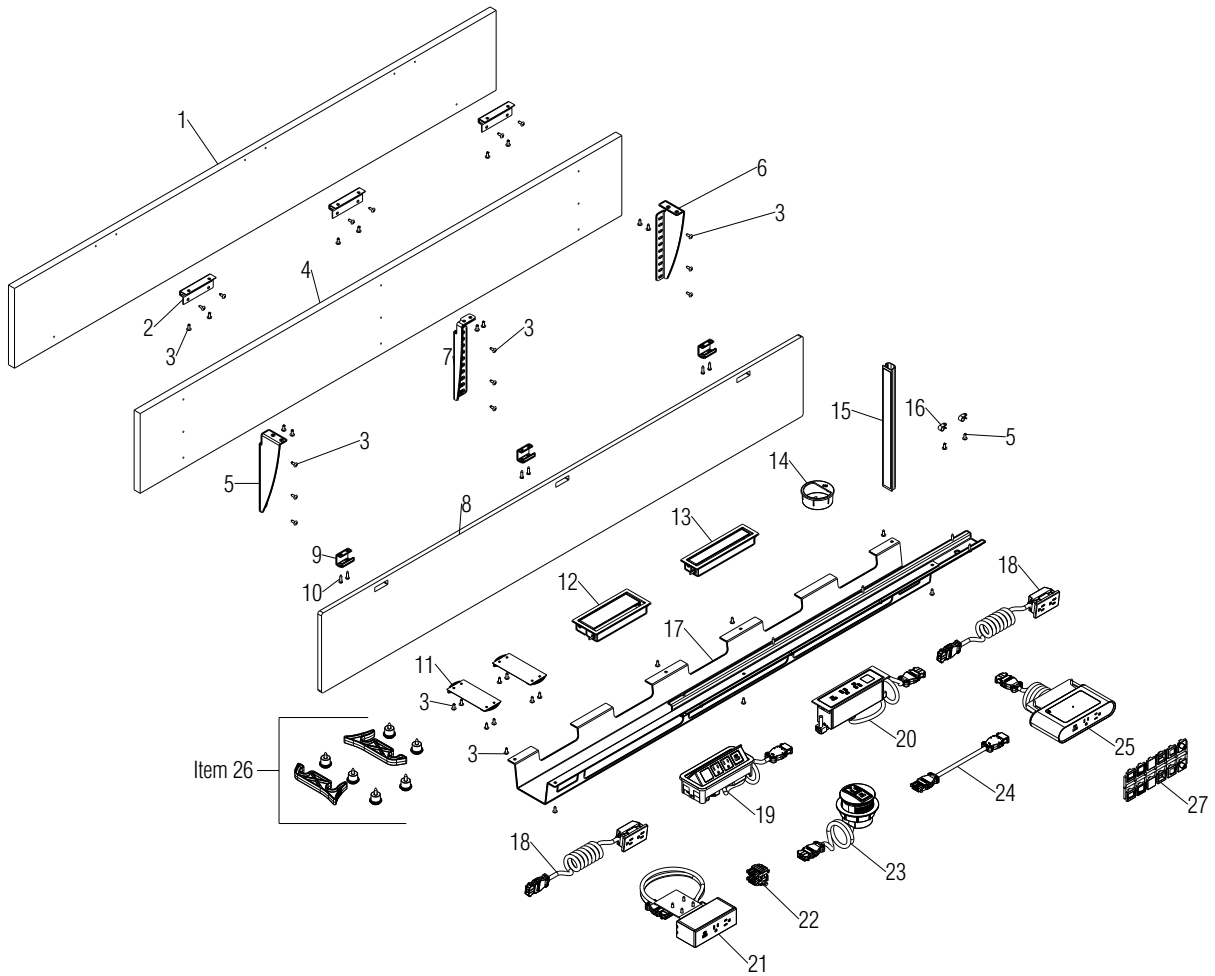
.XX = Select Paint or Finish

.SIZE = Select Size

36" x 72" tables require two worksurface stiffeners.

Item	Part Number	Item Description	Req Qty
1	Contact KI	Table Top, Rectangular Nesting	1
2	TJN.SIZE.L.XX	Assembly, Left-Hand Nesting Leg	1
3	TJN.SIZE.R.XX	Assembly, Right-Hand Nesting Leg	1
4	46.7615.BL	Screw, #12 x 1-1/2" Phillips Flat Head	16
5	46.4836.SIZE.A.XX	Assembly, Training Table Stringer	1
6	12.0074.P	Screw, 1/4-20 x 5/8" Torx Pan Head	4
7	44.1657.46	Stiffner, Worksurface (for 72" wide table) (see note)	1-2
8	12.0272	Screw, #10 x 3/4" Phillips Pan Head	8-16
9	46.4782.SIZE	Assembly, Nesting Table Support	1
10	12.0873.BL	Screw, 1/4-20 x 5/8" Phillips Flat Head Thread Cutting	8
11	46.4769.CXX	Caster, Ø 65mm Locking	2
12	46.4768.CXX	Caster, Ø 65mm Non-Locking	2
13	46.4772.XX	Glide, Body	4
14	46.4790.GXX	Glide, Base	4





.XX = Select Paint or Finish  
 .SIZE = Select Size or Cord Length

Item	Part Number	Item Description	Req Qty	Item	Part Number	Item Description	Req Qty
1	Contact KI	Modesty Panel, Nesting Laminate	1	17	46.5926.SIZE.XX	Trough, Pattern Power	1
2	46.4822	Hinge, Nesting Table Modesty Panel	3	18	46.8061.SIZE.XX	Power Module, Snap-In RPT, with Pattern Plug	1-2
3	12.0041	Screw, #10-16 x 5/8" Phillips Pan Head	varies	19	46.8057.SIZE.XX	Power Module, Nacre® In-Surface Pop-Up, with 3-Prong Plug	1
4	Contact KI	Modesty Panel, Fixed Laminate	1		46.8058.SIZE.XX	Power Module, Nacre® In-Surface Pop-Up, with Pattern Plug	1
5	51.5037.LH.XX	Bracket, Left-Hand 10" Modesty Panel Mounting	1	20	46.8051.SIZE.XX	Power Module, Dean® In-Surface, with 3-Prong Plug	1
6	51.5037.RH.XX	Bracket, Right-Hand 10" Modesty Panel Mounting	1		46.8052.SIZE.XX	Power Module, Dean® In-Surface, with Pattern Plug	1
7	46.4970.XX	Bracket, Middle Fixed Modesty Panel Mounting	1	21	46.8066.SIZE.XX	Power Module, Dean® Undersurface USB AC with 3-Prong Plug	1
8	46.6210.SIZE.XX	Modesty Panel, Polyester Felt	1		46.8067.SIZE.XX	Power Module, Dean® Undersurface USB AC with Pattern Plug	1
9	46.6193.XX	Bracket, Modesty Panel	3	22	46.8062.GR	Distribution Block, Grey	1
10	12.0272	Screw, #10 x 3/4" Phillips Pan Head	6		46.8063.WH	Distribution Block, White	1
11	87.9323	Assembly, Velcro Wire Manager	2	23	46.8053.SIZE.XX	Power Module, Node® In-Surface, with 3-Prong Plug	1
12	48.0736.GA.XX	Grommet, Nacre® Power Access	1		46.8054.SIZE.XX	Power Module, Node® In-Surface, with Pattern Plug	1
13	48.0736.GD.XX	Grommet, Dean® Power Access	1	24	46.8064.SIZE	Jumper, Pattern Plug	1
14	48.0399.XX	Grommet, Node® Combo Power Module	1	25	46.8040.SIZE.XX	Power Module, Dubbel® Undersurface, with 3-Prong Plug	1
15	46.7715.SIZET.XX	Assembly, Vertical Wire Manager Channel with Tape	1		46.8056.SIZE.XX	Power Module, Dubbel® Undersurface, with Pattern Plug	1
16	48.0737	Cord Clamp, Wire Management	2	26	13.3115	Ganger, Kit	1
				27	48.0738.XX	Bracket Tree, Data Adapter	1

