

Ella assembly





Table of contents

Safety instructions	3
Operation instructions	4
Freestanding base installation	5
Surface mounted installation	6-7



Important safety instructions

When using an electrical furnishing, basic precautions should always be followed, including the following:

This furnishing is made for commercial use only.

Read all instructions before using this furnishing:

DANGER

To reduce the risk of electrical shock:

1. Always unplug this furnishing from the electrical outlet before cleaning.

WARNING

To reduce the risk of burns, fire, electric shock, or injury to persons:

1. Unplug from outlet before putting on or taking off parts.
2. Close supervision is necessary when this furnishing is used by, or near children, invalids, or disabled persons.
3. Use the furnishing only for its intended use as described in these instructions.
Do not use attachments not recommended by the manufacturer.
4. Never operate this furnishing if it has a damaged cord or plug, if it is not working properly, if it has been dropped or damaged, or dropped in water. Return the furnishing to a service center for examination and repair.
5. Keep the cord away from heated surfaces.
6. Do not use outdoors.
7. Use only SJT 18 AWG cord.
8. Risk of injury. Maximum load 75 pounds.

To reduce the risk of electric shock, this furnishing has a polarized plug (one blade is wider than the other). This plug will fit in a polarized outlet only one way. If the plug does not fit fully in the outlet, reverse the plug. If it still does not fit, contact a qualified electrician to install the proper outlet. Do not change the plug in any way.

Note – servicing is only to be performed by an authorized representative.

Servicing of double-insulated products

In a double-insulated product, two systems of insulation are provided instead of grounding. No grounding means is provided on a double-insulated product, nor is a means for grounding to be added to the product. Servicing a double-insulated product requires extreme care and knowledge of the system, and is to be done only by qualified service personnel. Replacement parts for a double-insulated product must be identical to the parts they replace. A double-insulated product is marked with the words “DOUBLE INSULATION” OR “DOUBLE INSULATED”. The symbol (square within a square) is also able to be marked on the product.

Save these instructions

Operation instructions

Use for freestanding and surface mount lights

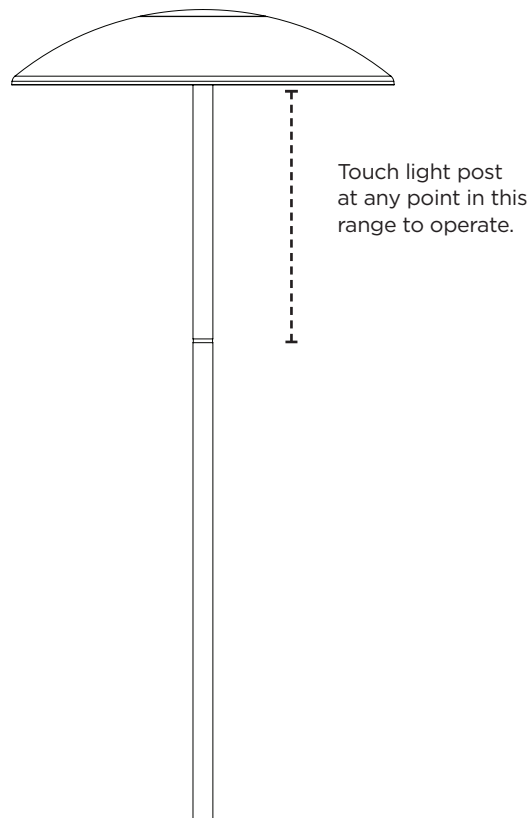
To power on/off

Touch the light post anywhere above the line on the post to operate. A quick touch will turn the light on and off.

To adjust brightness

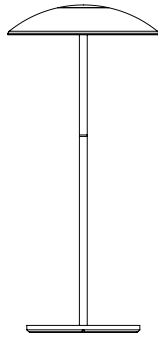
Touching and holding the light post anywhere above the line on the post will adjust the continuous dimming.

Note: Shade is not adjustable.

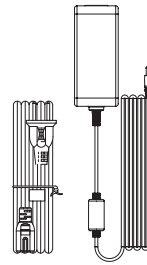


Freestanding base

Components:



Freestanding
light fixture



Power supply
24V, 65W

Assembly:

1. Remove the light from the box and place on desired surface.
2. Connect the light to the provided power supply (**Figure A**) and plug the power supply into a 120V source.

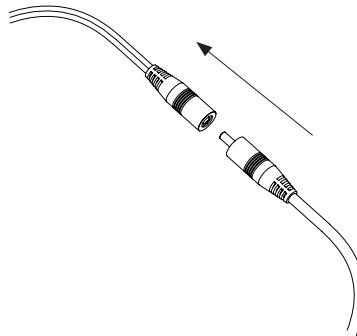
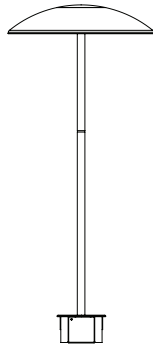


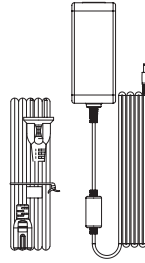
Figure A

Surface mount

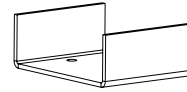
Components:



Freestanding
light fixture



Power supply
24V, 65W



Surface mount
clamp



2x ¼"-20 Button
Head Screws

Tools required:

3-½" Diameter hole saw
5/32" Allen wrench

Assembly:

1. Prepare the surface by cutting a 3-½" diameter hole in the worksurface.
2. Remove the light from the box and route the power cord through the hole in the worksurface. Place the lamp into the hole, being mindful to not pinch the cord. (**Figure A**)

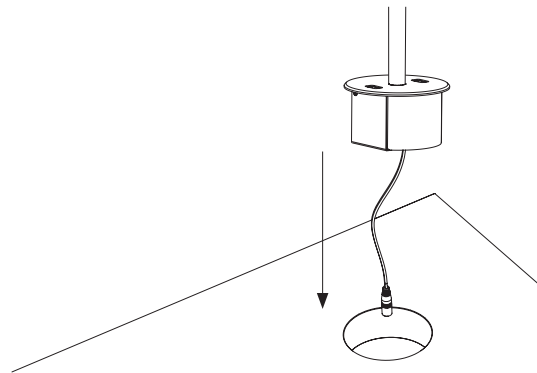


Figure A

Surface mount continued

- From the underside of the worksurface, install the lower clamp using the provided 1/4"-20 Button Head Screws. Use a 5/32" Allen wrench to tighten the two screws until the clamp holds firmly to the underside of the worksurface. (**Figure B**)

Note USB version only: Rotate lamp to align USB ports to the desired position prior to tightening screws.

Note: It can be helpful to have a second person hold the light in place while clamping to ensure orientation stays as desired and the light does not fall over.

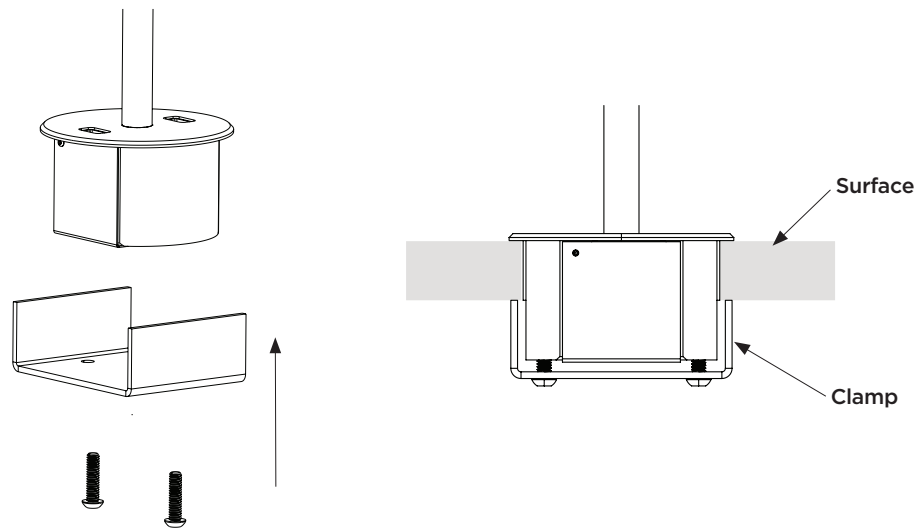


Figure B

- Connect the light to the provided power supply (**Figure C**) and plug the power supply into a 120V source.

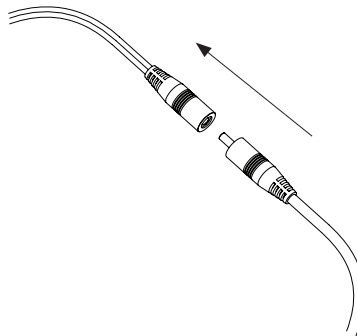


Figure C