

Intermix media panel assembly

---



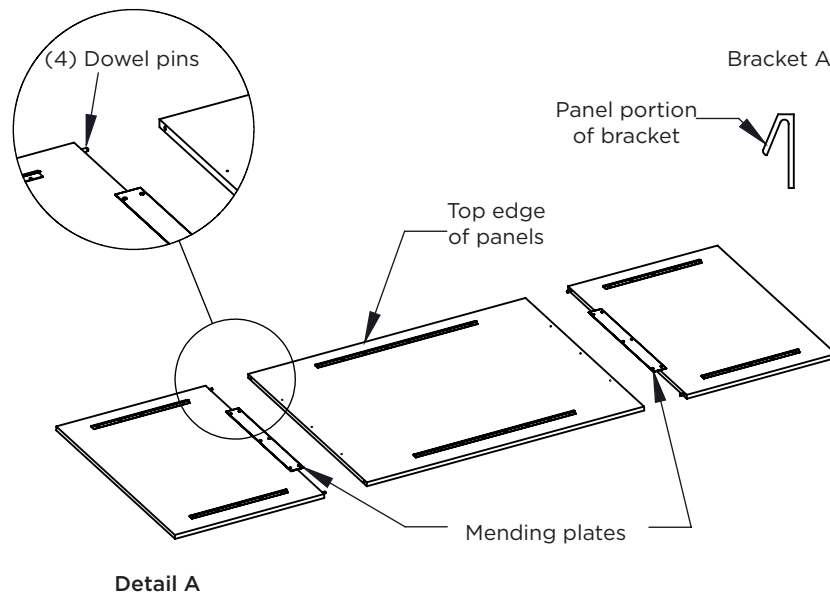
## Media panel installation

### For single media panels:

1. Place panel face down on a non-marring surface. The side of the panel without the holes will go face down for now.
2. Attach the hanging brackets to the back (Detail A), using the pre-drilled holes that are already machined into the panel.

### For multi-section media panels:

1. Place panels face down on a non-marring surface. The side of the panels without the holes will go face down.
2. Install the (2) dowel pins (hardware kit) **HK-59** into the connecting edge of each side panel.
3. Align the side panels with the center panel and then pull the (3) pieces together.
4. Center the mending plates (hardware kit) **HK-60** and attach them on each seam using the pre-drilled holes that are already machined into the panels. (counter-sunk holes in the mending plates should be face up)
5. Secure these plates with the (6) screws that are provided (hardware kit) **HK-60**.
6. Attach the hanging brackets to the back (Detail A), using the pre-drilled holes that are already machined into the panels.



## Media panel installation

### Hanging wall brackets:

1. Using a carpenter's level, draw a level horizontal line (Line A) where you want the top edge of the panel to be located.
  - Draw a second line (Line B) 4 ½" below Line A.
  - Draw a third line (Line C) 39 ¼" below Line A.
2. Position the wall brackets (Detail B) so the bottom edges are on lines B and C and are also positioned so they will line up with the brackets that are mounted onto the back of the panels. A small level is included and can be snapped onto the wall bracket to aid with installation (Bracket B). Mark the hole locations.
3. Drill holes into the wall where marked and fasten the wall brackets. Hardware is provided, but may not be appropriate for your wall type. A professional contractor should determine the best attaching hardware for each specific application.
4. Remove the small level from the wall brackets once they are attached to the wall.
5. Hang the panel assembly onto the wall brackets, both parts (Brackets A and B) of the metal hanging brackets shall interlock together (Detail C).

