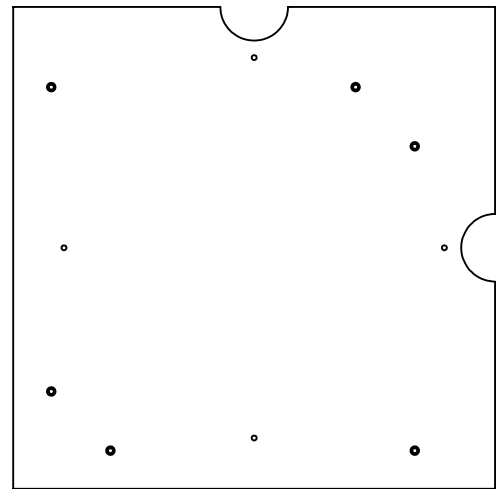
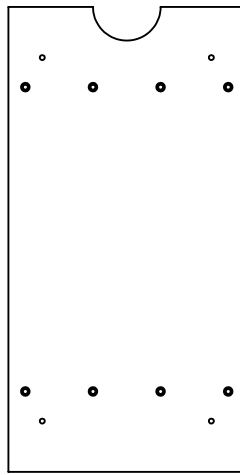
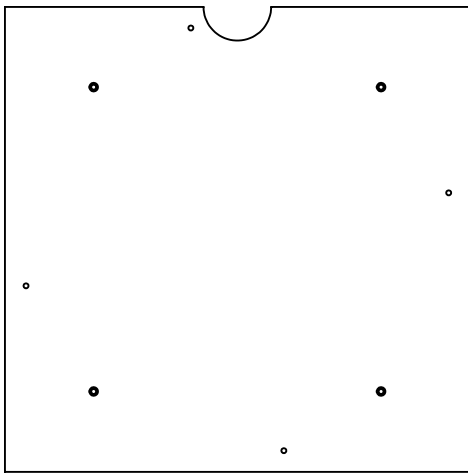
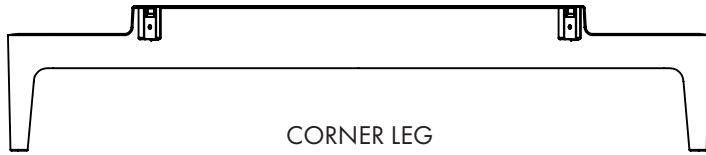


NYC ASSEMBLY INSTRUCTIONS

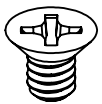
BEFORE YOU BEGIN

Each rail has been numerically labeled on the bottom. Line up each unit end-to-end according to the layout drawing prior to assembly. If a unit has a leg on one side only, use the triangular shipping material to support the other end until the full unit is assembled.

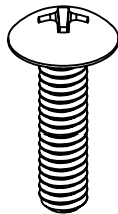
COMPONENTS



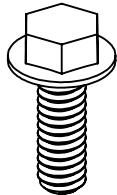
HARDWARE



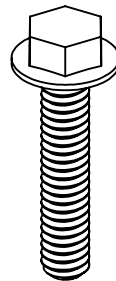
S1 SCREW
3/8" LONG
FLAT HEAD



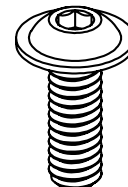
S2 SCREW
1" LONG
PAN HEAD



S3 SCREW
3/4" LONG
HEX HEAD



S4 SCREW
1 1/4" LONG
HEX HEAD



S5 SCREW
3/4" LONG
BUTTON HEAD

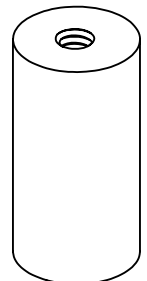
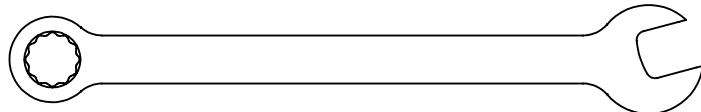


TABLE RISER

TOOLS



ALLEN WRENCH



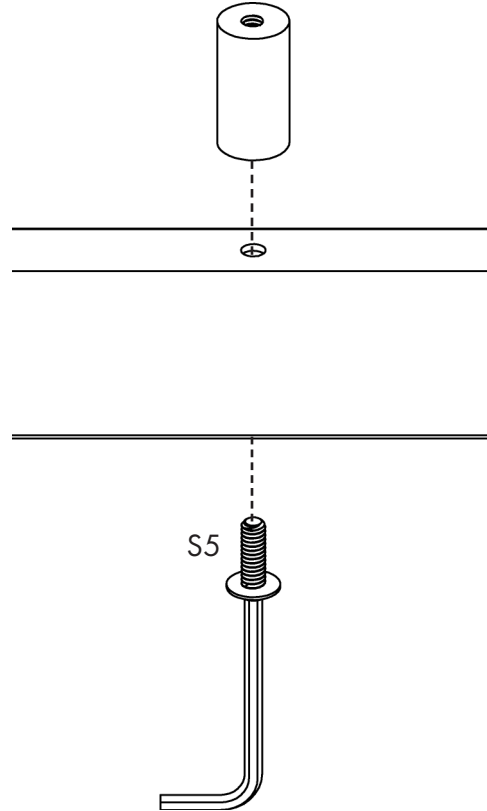
COMBINATION WRENCH

NYC ASSEMBLY INSTRUCTIONS

TABLE RISER ASSEMBLY

(If the setup includes a table, table risers may need to be assembled to the rails. If table risers come preassembled, skip this step.)

1. Place an S5 screw on the Allen wrench. Insert it up through the rail and thread the table riser onto the screw until tight.
2. Repeat this step for each hole in the top side of each rail (6 risers per corner table, 4 risers for all other tables).

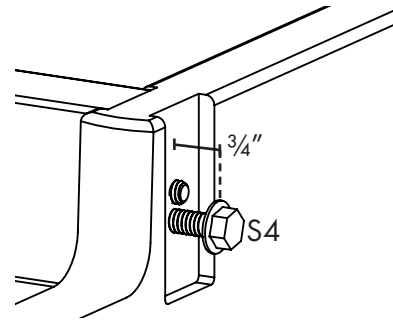


NYC ASSEMBLY INSTRUCTIONS

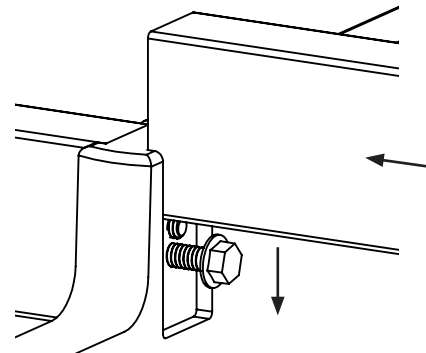
MID LEG / END LEG ASSEMBLY

(In some cases, a mid leg or end leg will need to be assembled to the rails. The mid leg should come already attached to one set of rails. In most cases, seated units will be attached to the rails (not shown). 2 people are recommended for mid /end leg assembly - one person on each side.)

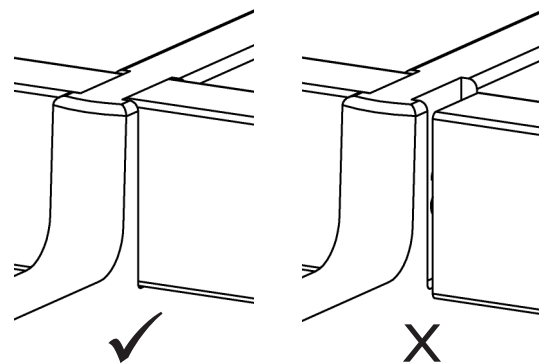
1. Thread an S4 screw into each hole at either end of the leg so that the head of the screw is roughly $\frac{3}{4}$ " from the surface as shown.



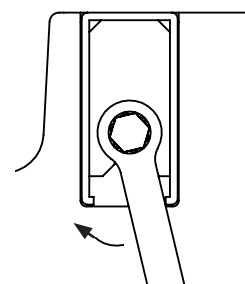
2. Assemble both rails onto the mid leg at the same time. Press the end of the rails against the mating surface of the leg and slide them down over the screws.



3. Ensure that the rail sits fully inside the pocket as shown.



4. Use the closed end of the combination wrench to tighten the screws.

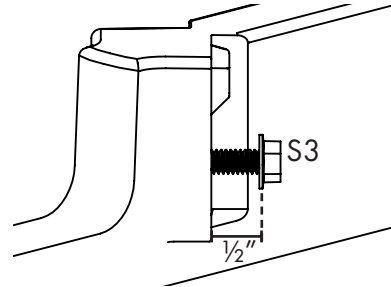


NYC ASSEMBLY INSTRUCTIONS

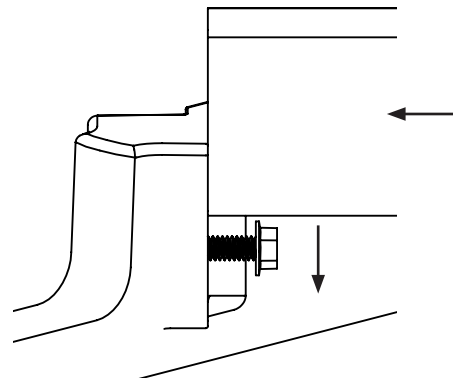
CORNER TABLE LEG ASSEMBLY

(If the setup includes a corner table, a corner leg will need to be assembled to the rails.)

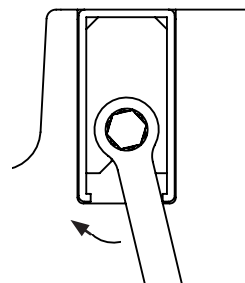
1. Thread an S3 screw into each hole at either end of the leg so that the head of the screw is roughly $\frac{1}{2}$ " from the surface as shown.



2. Assemble both rails onto the corner leg at the same time. Press the end of the rails against the mating surface of the leg and slide them down over the screws so that the top of the leg and top of the rail are flush. Once the rails are seated over the screw, adjust the unit to minimize any gaps between the end face of the rails and the mating faces of the leg.



3. Use the closed end of the combination wrench to tighten the screws.



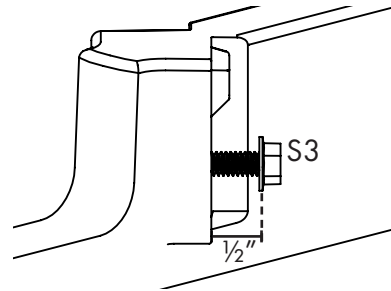
3. Proceed to Table Plate Assembly.

NYC ASSEMBLY INSTRUCTIONS

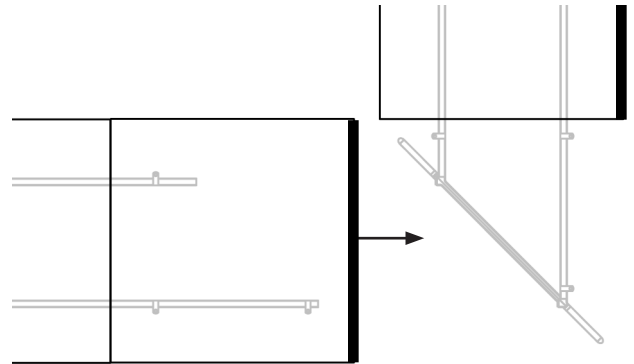
CORNER SEAT LEG ASSEMBLY

(If the setup includes a corner seat, a corner leg will need to be assembled to the rails. If the corner leg arrives disconnected from all rails, first connect it to the rails without the corner seat using the CORNER TABLE LEG ASSEMBLY steps. Then follow the steps below.)

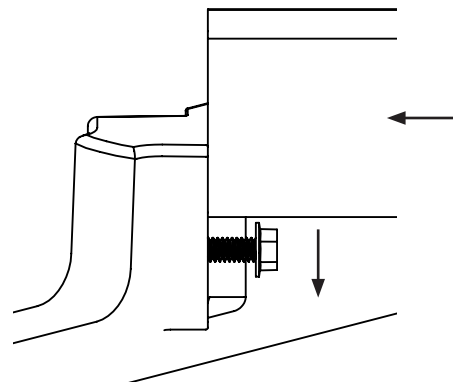
1. Thread an S3 screw into each hole at either end of the leg so that the head of the screw is roughly $\frac{1}{2}$ " from the surface as shown.



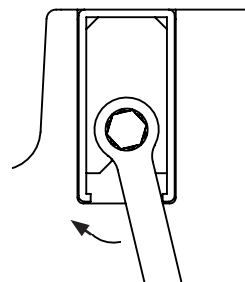
2. Line up the two sections as shown. The corner seat should be on one set of rails and the leg should be on the other set of rails. Lift the section with the corner seat and move it over the corner leg so that the back sides (bold edges) line up.



3. Press the end of the rails against the mating surface of the leg and slide them down over the screws so that the top of the leg and top of the rail are flush. Once the rails are seated over the screw, adjust the unit to minimize any gaps between the end face of the rails and the mating faces of the leg.



4. Use the closed end of the combination wrench to tighten the screws.



NYC ASSEMBLY INSTRUCTIONS

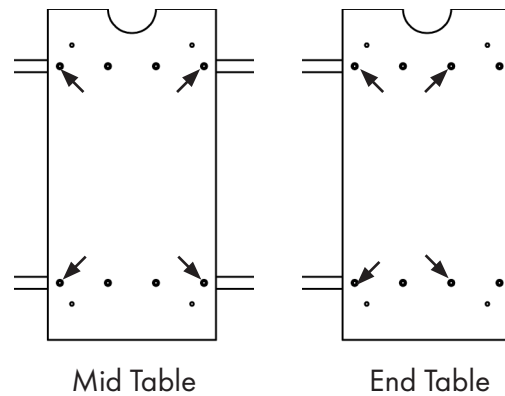
TABLE PLATE ASSEMBLY

(Some table plates may come already attached to the rails. If so, skip this step.)

1. Place the table plate on the table risers and line up the holes with the table risers.

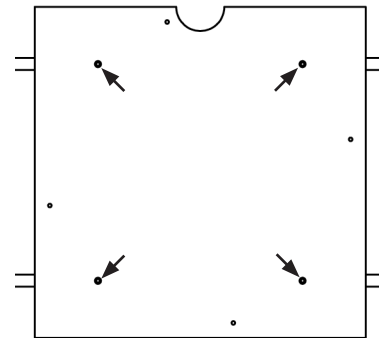
2/3 TABLES

Orient the plate so that the cutout faces perpendicular to the rails. Secure the plate to each riser using 4 x S1 screws. Mid tables and end tables use different mounting holes as shown.



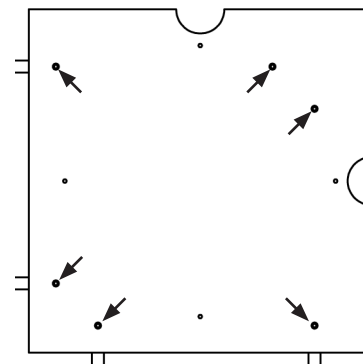
FULL TABLES

Orient the plate so that the cutout faces perpendicular to the rails as shown. Secure the plate to each riser using 4 x S1 screws.



CORNER TABLES

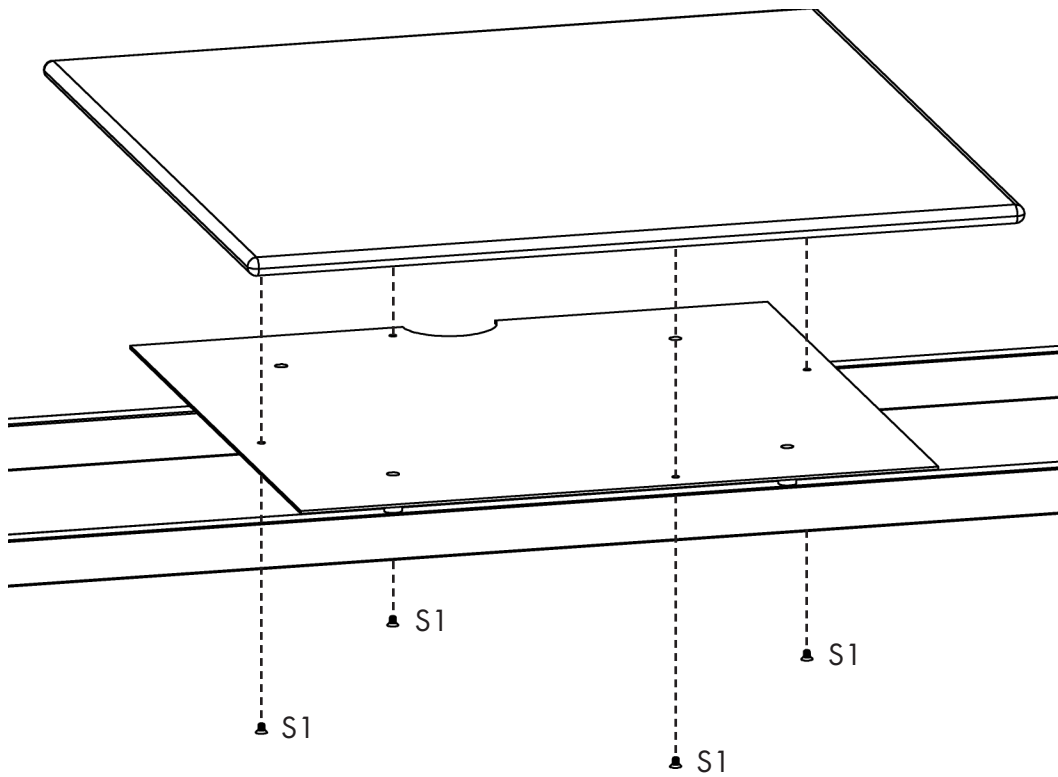
Orient the plate so that the cutouts face the outside of the rails. Secure the plate to each riser using 6 x S1 screws.



NYC ASSEMBLY INSTRUCTIONS

TABLE TOP ASSEMBLY

1. Center the table top on the table plate.
2. Secure it to the plate from the bottom side using 4 x S1 screws.



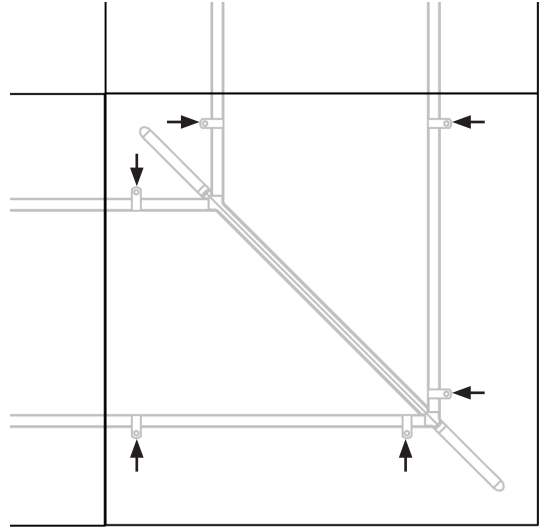
NYC ASSEMBLY INSTRUCTIONS

SEATED UNIT ASSEMBLY

(Corner units will need to be assembled to the rails. Some other units may also need assembly - see "All Other Seats".)

Corner Seats:

If both rail sets are not connected to the corner leg, follow instructions for CORNER SEAT LEG ASSEMBLY. Corner seats arrive attached to 2 rails. Use 3 x S2 screws to secure the unit to the tabs on the other 2 rails. For easiest assembly, loosely thread all 3 screws before fully tightening them down. If the holes don't line up, temporarily loosen the 3 other screws on the corner seat.



All Other Seats:

1. Place the seat on top of the rails, and align the mounting holes to the tabs. Use the S2 screws to secure it to the tabs on the rails. For easiest assembly, loosely thread all screws before fully tightening them down.

