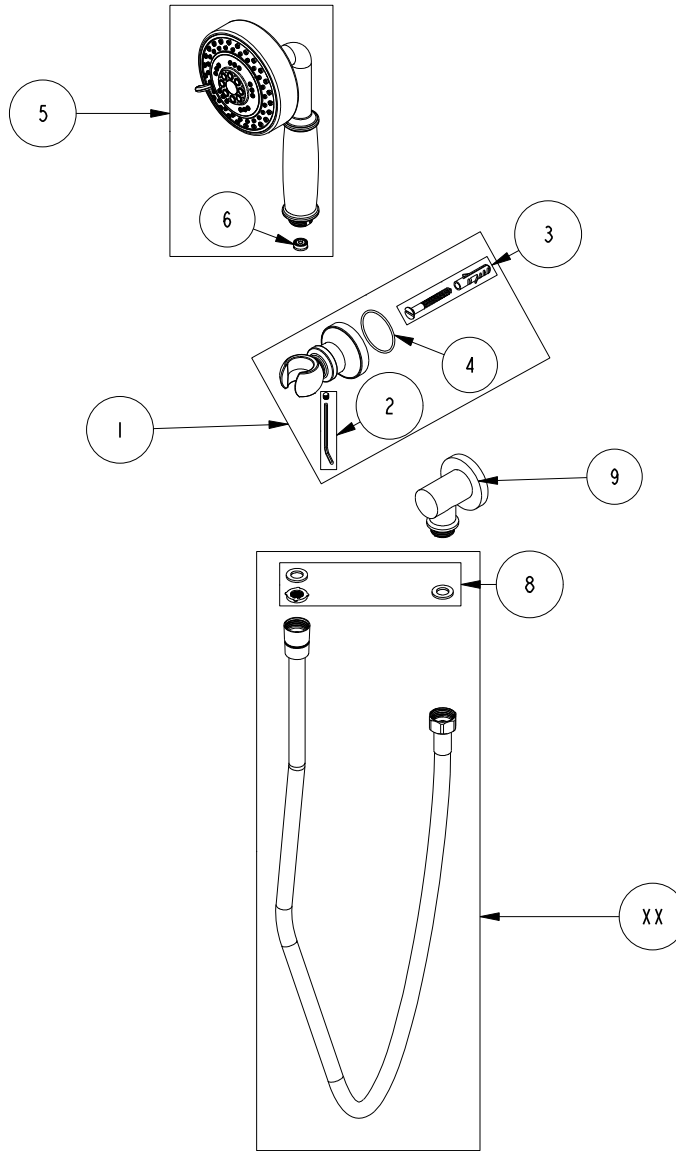


REPLACEMENT PARTS



ITEM	PT/ASSY	SPECIFY FINISH	DESCRIPTION
1	296	YES	HAND SHOWER HOLDER - WALL MOUNT
2	10-355		HEX WRENCH AND SET SCREW KIT
3	10-356		WALL ANCHOR, SCREW
4	91766		O-RING, #2-029, 50 DURO
5	283-3	YES	HAND SHOWER
6	12833		FLOW REGULATOR, 1.8 GPM MAX
7	284	YES	59 IN. SPIRAL SHOWER HOSE
8	10-360		WASHER AND O-RING KIT
9	285-2	YES	WALL SUPPLY ELBOW FOR HAND SHOWER HOSE

**Handshower Set
280H**

REV C EN-5005 05/23/25

NEWPORT BRASS.

t: 949.417.5207 | www.newportbrass.com