

Producer

Track Head Wall Washer



PROJECT:

TYPE:

Features

The Producer Track Wall Washer, designed with a unique lens, provides even illumination across your display, from top to bottom. Available in 1 ft or 2 ft lengths, offering 20W per foot. 1 and 3 circuit Global track, and busway mounting available. Options include various color temperatures, a choice of a single point mounting, and ELV dimming.

Product Overview

Type: Track Wall Wash
Wattage: 20W/ft
Color Temp: 2700K, 3000K, 3500K, 4000K
CRI: 83 typ.
Dimming: TRIAC & ELV, 5% Dim, 120/277VAC



Certifications



Fixture Summary

Performance Data

Watts	Delivered Lumens	LPW	Color Temp-CRI
1'			
20	1575	78.8	3000K-83
2'			
40	3151	78.8	3000K-83

Data is based on 3000K, 90+ 120V IES files available on website.

Electrical Data

Voltage	System Watts	Amps
1'		
120V	20	0.17
277V	20	0.07
2'		
120V	40	0.33
277V	40	0.14

Electronic constant current LED driver.

Producer

Track Head Wall Washer



PROJECT:	TYPE:
-----------------	--------------

Ordering Information

	1	2	3	4	5	6	7	8							
1	Model PROD-WW PROD-WW-SPM <i>(single point mount, 1 foot length only)</i>	2	Wattage (per foot) 20	3	Finish WT white texture BT black texture ST silver texture <i>Other finishes, consult factory</i>	4	Length 12 1 foot 24 2 feet <i>(not available for SPM model with track adapter mounting)</i>	5	Mounting TN1 Global GES 1cir/H-Style, 120V TEK Global TEK 2cir/2neut, 120V TN3 Global XTS 3cir, 120V TN2 Global HTEK 2cir/2neut, 277V CT J-Style 1 or 2 cir, 120V LOL L-Style 1cir, 120V C canopy, 120V/277V <i>(available for use with SPM model only)</i>	6	Voltage 120 277	7	Color Temp-CRI 27 2700K-83 30 3000K-83 35 3500K-83 40 4000K-83	8	Driver LE/TE TRIAC/ELV dimming, 120/277V

Producer

Track Head Wall Washer



PROJECT:

TYPE:

Specifications

Application

Retail, Grocery and Commercial wall wash lighting

Construction

One piece extruded aluminum housing with die-cast end plates
Die-formed cold rolled steel internal wiring chassis 1 ft or 2 ft lengths

Optical

0-90° tilt
Extruded clear custom prismatic acrylic snap-in lens

LED

Color Temp Options: 2700K, 3000K, 3500K, 4000K
CRI: 83 typ.
R9 Values: 15
Binning: 3-step MacAdam ellipse (SDMC)
Life: 50,000+ hrs, > 70% of initial lumens at 50,000 hrs

Electrical

Wattage: 20W/Ft
Electronic multi-volt (120-277VAC) constant current driver
This product complies with IEEE C62.41 for surge endurance up to 3KV. Amerlux® recommends using additional surge protection with this unit (supplied by others), surge and over voltage damage is not covered under warranty.

Driver

LE/TE - Leading Edge (*Triac, Forward Phase*) or Trailing Edge (*ELV, Reverse Phase*) autosensing driver dims down to 5% on most dimming systems.
See dimming pages for more information.

Finish

Powder coat paint.
Standard Colors: White Texture, Black Texture, Silver Texture
Consult factory for custom RAL powder coat finishes

Mounting

Track and canopy.
Note: Recommend track fixture mounting to horizontal surface mounted/pendant mounted track only

Certifications

Approved to UL standards as tested by CSA.
Intended for indoor use only.

Warranty

Amerlux's 5 year limited warranty. Please consult Amerlux website for details.

Producer

Track Head Wall Washer

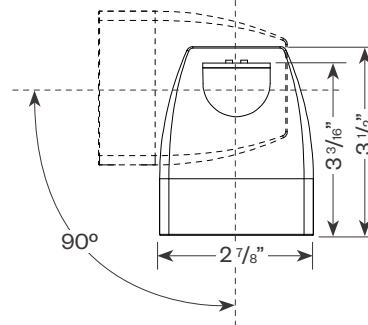
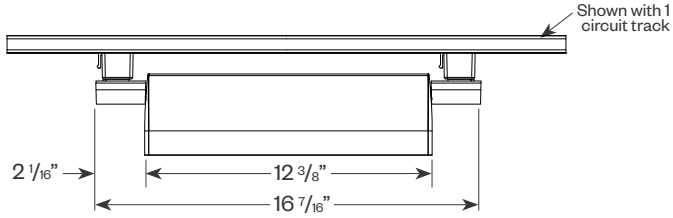


PROJECT:

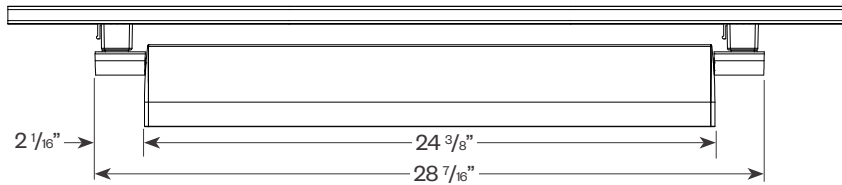
TYPE:

Product Details

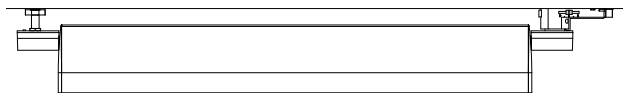
1 Foot



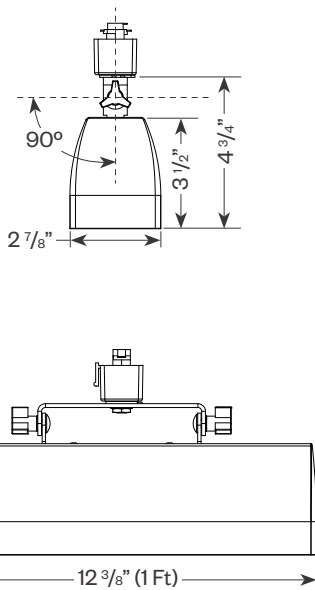
2 Foot



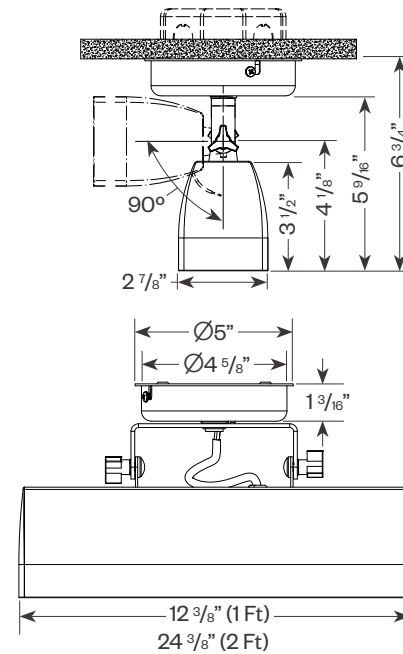
For TEK/TN2 mounting option



Single Point Mount Option



Canopy Mount Option



Producer

Track Head Wall Washer



PROJECT:

TYPE:

Performance Data

Multiplying Factors: (Multiplying Factor is based on 3000K, 90+ 120V IES file on website)

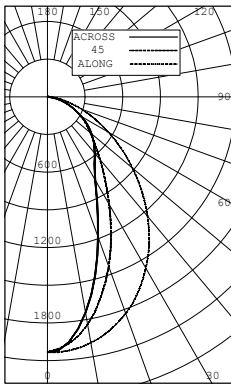
CCT:	2700K-90+	3000K-90+	3500K-90+	4000K-90+
Factor:	0.96	1.0	1.02	1.04

PRODUCER WALL WASH 2 FT 3000K-83

Source: 96 white LEDs Lumens: 3151

Track Mounting

LTL# 487889



ZONAL LUMEN SUMMARY

Zone	Lumens	%Fixt
0-30	1229	39.01
0-40	1800	57.13
0-60	2712	86.08
0-90	3151	100.0
90-180	0	0.00
0-180	3151	100.00

Efficacy (Lm/W) = 66.6

Application Data (footcandles on wall)

Footcandles are average and rounded off. Data for multiple units are based on a minimum of five units.

3' off wall, 3' o.c., 30° tilt

Distance from ceiling	1'	2'	3'	4'	5'	6'	7'	8'	9'
1'	33	35	36	35	36	36	35	36	35
2'	69	72	74	74	75	75	74	74	73
3'	106	112	115	115	117	116	115	115	112
4'	121	127	131	134	134	136	133	131	127
5'	115	121	127	130	133	133	131	127	121
6'	98	104	108	113	114	114	113	110	104
7'	81	86	91	94	95	95	94	91	87
8'	67	72	76	78	79	79	78	76	72
9'	57	60	63	65	66	66	65	63	60

4' off wall, 4' o.c., 30° tilt

Distance from ceiling	1'	2'	3'	4'	5'	6'	7'	8'	9'
1'	47	49	50	48	49	50	50	49	48
2'	56	58	59	58	58	59	59	58	58
3'	62	64	65	65	65	66	66	65	65
4'	64	65	67	67	67	68	68	67	67
5'	58	60	61	62	62	62	63	62	61
6'	50	52	53	54	54	54	54	54	53
7'	41	42	43	44	44	44	45	44	43
8'	33	34	35	35	36	36	36	36	35
9'	27	28	28	29	29	29	29	29	28

4' off wall, 5' o.c., 30° tilt

Distance from ceiling	1'	2'	3'	4'	5'	6'	7'	8'	9'
1'	37	39	42	42	39	38	40	42	42
2'	45	46	48	49	47	46	47	49	49
3'	50	51	53	53	52	52	53	53	53
4'	52	53	54	54	54	54	54	55	55
5'	48	49	50	50	51	51	51	51	51
6'	41	42	43	44	44	44	44	44	44
7'	34	35	36	36	37	37	37	37	37
8'	27	28	29	29	30	30	30	30	30
9'	22	23	23	24	24	24	25	25	25

Producer

Track Head Wall Washer



PROJECT:

TYPE:

Dimming Compatibility

Amerlux® Producer fixtures are compatible with all major dimming protocols prevalent in the United States. Please see below for general compatibilities and wiring diagrams. Amerlux recommends testing your unique dimming configuration as the exact full configuration (*Dimmer, Fixture Quantity, Voltage, etc*) may affect dimming performance.

--- NOTE: INFORMATION BELOW IS FOR WIRED DIMMERS ONLY. FOR WIRELESS DIMMERS, CONSULT FACTORY ---

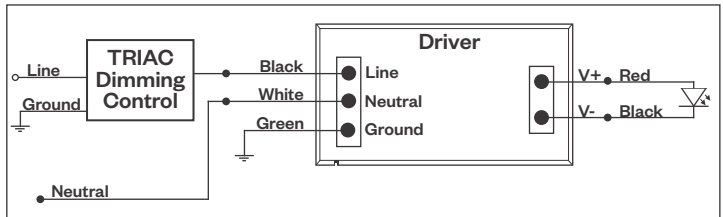
TRIAC (Forward Phase) Dimming

Utilizes standard TRIAC dimmers that are in wide use in installations across the US. Best for retrofit applications where TRIAC dimmers are installed.

Notes:

- 120VAC or 277VAC*
- Dims down to 5% light output (*most cases*)
- Consult Dimming manufacturer for installation instructions - **DO NOT SHARE NEUTRALS!**
- Must meet dimmer Minimum Load Requirements per dimming manufacturer

TRIAC Wiring Diagram



Compatible Dimmers†:	
Wall Box (TRIAC 120VAC)	Central System
Lutron "Diva"	Lutron "GP" Panel
Lutron "Nova-T"	Lutron Grafik Eye QS
Lutron "Maestro"	
Lutron "Skylark"	

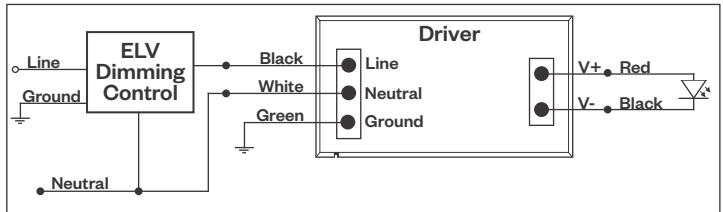
ELV - Electronic Low Voltage (Reverse Phase) Dimming

Utilizes specialized "ELV" dimmers.

Notes:

- 120VAC or 277VAC*
- Dims down to 5% light output (*most cases*)
- Consult Dimming manufacturer for installation instructions - **DO NOT SHARE NEUTRALS!**
- Must meet dimmer Minimum Load Requirements per dimming manufacturer

ELV Wiring Diagram



Compatible Dimmers†:		
Wall Box (ELV 120VAC)	Wall Box (ELV 277VAC)	Central System
Lutron "Diva"	Leviton Revoir II AWSMT-E	Lutron "GP" Panel with PHPM-PA 120/277VAC
Lutron "Nova-T"		Lutron Grafik Eye QS with PHPM-PA 120/277VAC
Lutron "Maestro"		
Lutron "Skylark"		
Leviton "Surslide"		
Leviton "Vizio"		

Notes:

* Driver is 277VAC dimmable with appropriate dimmer (*by others*). All provided wiring diagrams show 120VAC wiring colors and method. Please refer to 277VAC dimmer installation instructions for 277VAC wiring diagrams.

† The absence of a dimmer from the lists above does not imply incompatibility. Please consult factory for compatibility inquiries.