

# TOTO®

## TS756PVSWC Mercer™ Shower and Bath Trim



TS756PVSWC - Mercer™ Shower and Bath Trim

*LifeKoat™*

TOTO® uses a state-of-the-art plating process, called *LifeKoat™*, that gives faucets durability. The *LifeKoat™* ionic plating procedure covers the entire faucet with a special finish that:

- Prevents corrosion
- Improves scratch resistance
- Increases hardness

- New Classic, clean lined styling perfectly matches the Mercer™ design suite
- Durable finishes
- Metal construction
- Rain shower showerhead
- Lever style handle
- Options:
  - Shower and Bath Trim
  - Shower Only Trim

Decorative Shower and Bath Trim to match the Mercer™ design suite.

### ■ TS756PVSWC

Mercer™ Shower and Bath Trim, polished chrome finish.

### □ TS756PSWC

Mercer™ Shower Only Trim, polished chrome finish.

### □ TS756PVSWB

Mercer™ Shower and Bath Trim, LifeKoat™ polished brass finish.

### □ TS756PSWB

Mercer™ Shower Only Trim, LifeKoat™ polished brass finish.

### □ TS756PVSWN

Mercer™ Shower and Bath Trim, LifeKoat™ brushed nickel finish.

### □ TS756PSWN

Mercer™ Shower Only Trim, LifeKoat™ brushed nickel finish.

### □ Note Shower and Bath Trim

Requires pressure balance valve model TSPV

### □ Note Shower Only Trim

Requires pressure balance valve model TSPT

*Finishes:*

*Standard Polished Chrome*

*Optional LifeKoat™ Polished Brass*

*LifeKoat™ Polished Nickel*

*See Price Book for additional finishes*

**Augusta Decorative Collection**

# TS756PVSWC

## Mercer™ Shower and Bath Trim

### DESIGN

Designed to match our line of residential bathroom products, TOTO's® shower and bath trim complete any bathroom suite.

### SPECIFICATIONS

Flow Rate: 2.5 gpm (9.5 lpm) max.

Warranty: Lifetime Limited Warranty  
(Residential use)  
One Year (Commercial use)

Material: Metal

Shipping Weight: Shower and bath trim  
**Individual** 8.9 lbs.  
**Case (Qty 6)** 53.4 lbs.

Shipping Weight: Shower only trim  
**Individual** 7.9 lbs.  
**Case (Qty 6)** 47.4 lbs.

Shipping Dimensions:  
**Individual**  
17-1/2"L x 12"W x 4-1/2"H  
  
**Case (Qty 6)**  
18"L x 12-1/2"W x 28"H

### CODES/STANDARDS

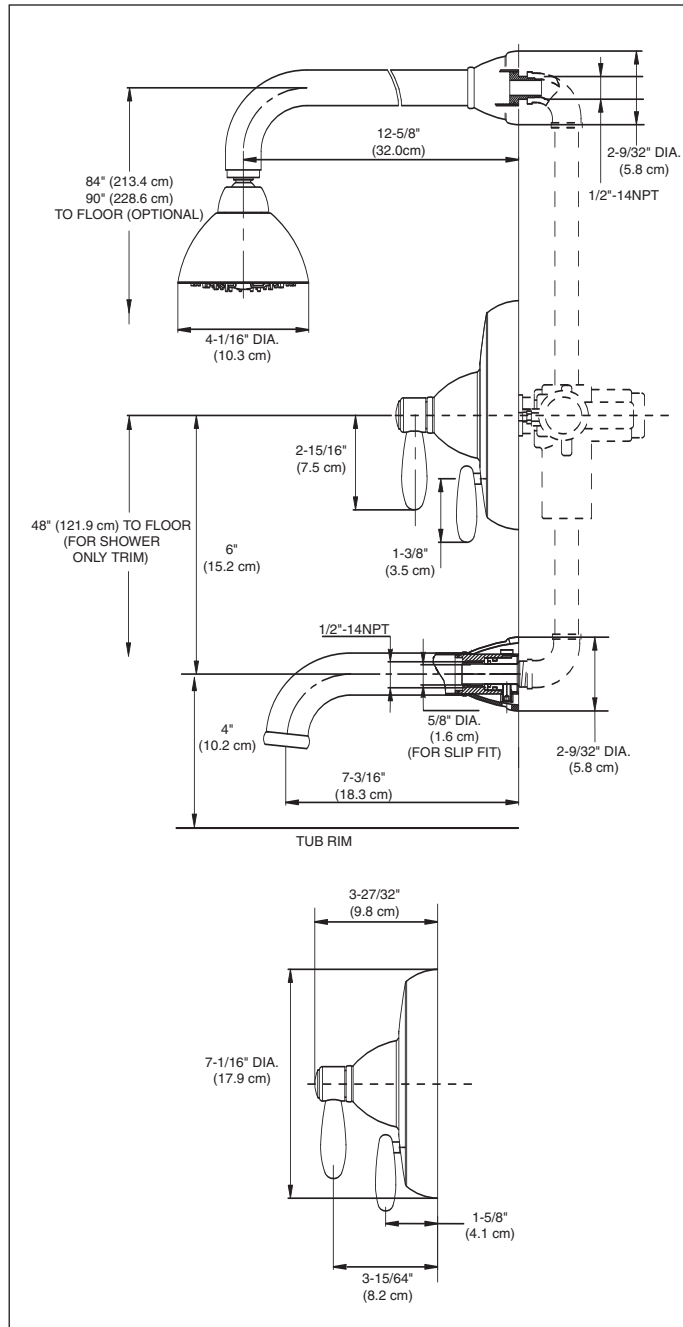
Complies with and exceeds the following standards:

ASME A112.18.1M  
CSA B125

Listed by:

IAPMO/UPC, CSA, and other municipalities

These dimensions and specifications are subject to change without notice.



TS756PVSWC - Mercer™ Shower and Bath Trim

**TOTO®**

TOTO® U.S.A., INC. • 1155 Southern Road, Morrow, GA 30260  
Tel. (888) 295-8134 • Fax. (770) 282-8701 • www.totousa.com

Printed in U.S.A. © TOTO® LTD. 02/05 #J20060

Printed on recycled paper

REV 02/05