

TSPVR - Pressure Balancing Valve

- Brass valve body
- Pressure balancing anti-scald valve
- Adjustable temperature limit stop to control hot water temperature
- Integral diverter and shut-off / check valve
- NPT or solder connections

■ **TSPVR**

Pressure Balancing Valve with diverter.

□ **TSPTR**

Pressure Balancing Valve without diverter.

TSPVR, TSPTR Pressure Balancing Valve

■ DESIGN

Designed to work with all of TOTO's shower trim designs, this pressure balance valve is designed with an anti-scald & temperature limit switch.

■ SPECIFICATIONS

Warranty: Lifetime Limited Warranty
(Residential use)
One Year (Commercial use)
Material: Brass

Shipping Weight: TSPVR
Individual 6.4 lbs.
Case (Qty 6) 38.4 lbs.

Shipping Weight: TSPTR
Individual 5.4 lbs.
Case (Qty 6) 32.4 lbs.

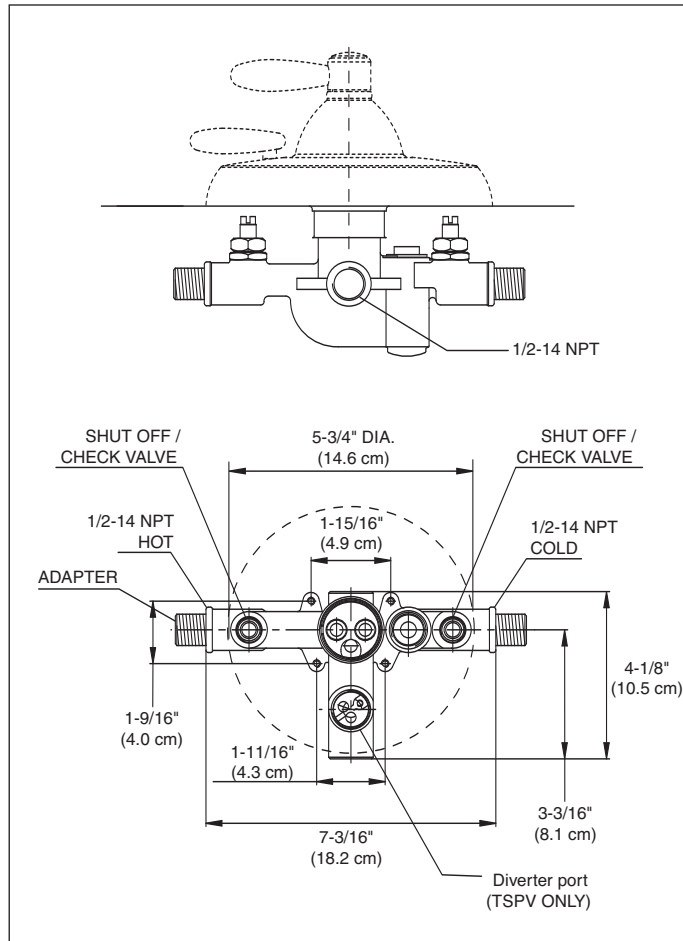
Shipping Dimensions:
Individual
 9"L x 7-1/2"W x 8-1/2"H
Case (Qty 6)
 15-1/2"L x 9-3/4"W x 26"H

■ CODES/STANDARDS

Complies with and exceeds the following standards:
 ASSE 1016
 ASME A112.18.1M

Listed by:
 IAPMO/UPC, CSA, and other municipalities

These dimensions and specifications are subject to change without notice.



TSPVR, TSPTR - Pressure Balancing Valve



TOTO® U.S.A., INC. • 1155 Southern Road, Morrow, GA 30260
 Tel. (888) 295-8134 • Fax. (770) 282-8701 • www.totousa.com
 Printed in U.S.A. © TOTO® LTD. 02/05 #J20060

Printed on recycled paper

REV 02/05