



Model#: R10000120P

OVERVIEW

The Cascade series provides storage for a wide variety of items. The Mega-Tower is a large width, tall height cabinet in the Cascade grouping, measuring in at 61-3/8" tall, 43" wide and 19" deep.

MATERIALS

The end panels are made of 18-gauge 1" square tubing, welded flush to an 18-gauge end panel. The inside of each end panel is reinforced by 22-gauge hat channels. These hat channels are dual purpose: added strength and for tote rail shelf mounting. The dome top is 18-gauge formed and welded construction, bolted to each end panel and rear panel with a total of 10 machine screw fasteners. The base is a durable 18-gauge steel construction formed and welded to support the entire weight of the unit squarely. Underneath is a heavy welded hat channel reinforcement. The base shelf is attached to both end panels using 4 machine screw fasteners. The rear panel is 18-gauge steel reinforced with up to three vertical hat channels. Two grommet holes (a lower and upper) are punched for convenient wire management and electronic storage. Casters are 5" in diameter, with 2 locking. Optional glides are 3/8" threaded stem.

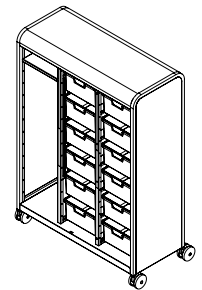
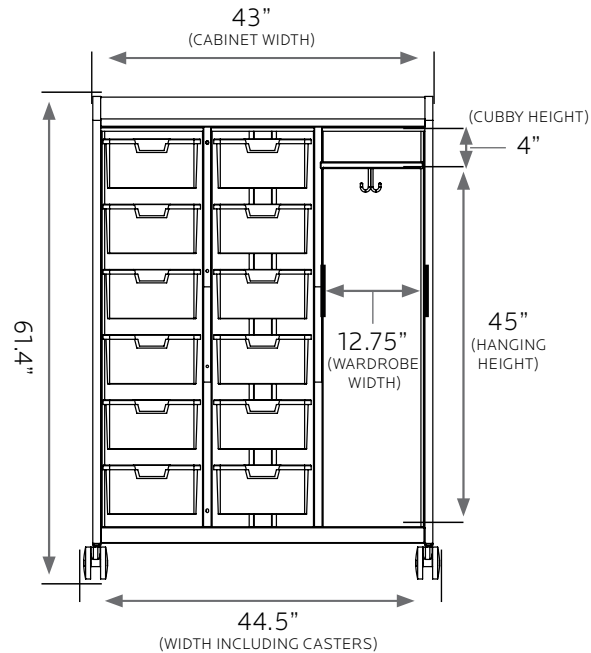
Model R10000120P_ / L10000120P_ comes equipped with a quantity of 12 6" (SW) Totes as well as a coat hanger and a 4" tall shelf.

Due to the Cascade Tower's height, riser shelves are not available on Cascade Mini-Tower, Mid-Tower or Mega- Tower.

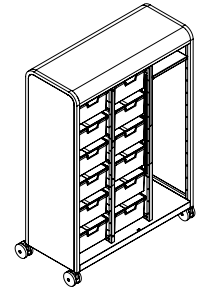
Specify whether you would like shelf/wardrobe on left or right-hand side. Model numbers for left-hand shelf begin with 'L' rather than 'R'

DIMENSIONS

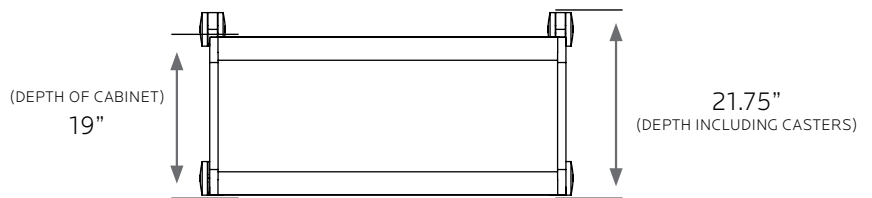
Model	Description	D"	W"	H"	WT
Standard Width (SW) Totes					
10024000P	Open w/twenty-four 3" SW totes	19	43	61.4	147
20024000P	Doors w/twenty-four 3" SW totes	19	43	61.4	179
10000120P	Open w/twelve 6" SW totes	19	43	61.4	147
10006062P	Open w/six 3" & six 6" & two 12" SW totes	19	43	61.4	147
20006062P	Open w/six 3" & six 6" & two 12" SW totes	19	43	61.4	179



Model L10000120P
(left side wardrobe)



Model R10000120P
(right side wardrobe)



STANDARD END PANEL COLOR OPTIONS



APPLE



BLACK



CERULEAN



CHARCOAL



NAVY



PERSIAN BLUE



PLATINUM

FRAME COLOR OPTIONS



PLATINUM

END PANEL COLOR OPTIONS WITH ADDITIONAL LEAD TIME



BLUEBERRY



BURGUNDY



FOREST GREEN



ORANGE



PURPLE



RED



YELLOW