



Shown with 3" SW tote, model # 30933

OVERVIEW

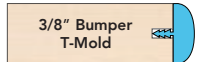
Shipped ready to assemble, these desks have a heavy-duty work surface that won't sag under heavy books or equipment. The Silhouette Sequence Desk is great for rows, pairs, or collaborative pods for learning in groups.

MATERIALS

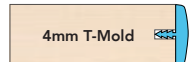
The work surface consists of a 45 lb density particle board core with a .030" high pressure laminated surface and a .020" melamine backer sheet. The edge of the work surface features 3/8" bumper edge molding that is fastened every 6 to 8 inches to assure a long lasting fit. The frame is attached to the pre-drilled holes in the top with (6) #10 screws through a 1" x 1.75" 18-gauge steel channel. The mounting channel is welded to a 1" x 2" rectangular 16-gauge steel tube leg. The leg inserts are 1" x 1.75" 16-gauge steel tube and are fixed in height at 29.5". Model 01658 comes standard with a lockable endcap/glide combination. The legs are tied together for added strength with a 1" x 2" 16-gauge steel tube stretcher bar and (4) bolts.

TOP AND EDGE OPTIONS

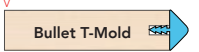
1 1/4" TOP W/ BUMPER T-MOLD
NO LETTER TO FOLLOW MODEL NO.



1 1/4" TOP W/ 4MM T-MOLD



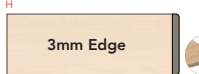
3/4" TOP W/ BULLET T-MOLD



3/4" TOP W/ 4MM T-MOLD



1 1/4" TOP W/ 3MM - 90° CORNERS



1 1/4" TOP W/ 3MM - ROUND CORNERS



3/4" TOP W/ 3MM - 90° CORNERS

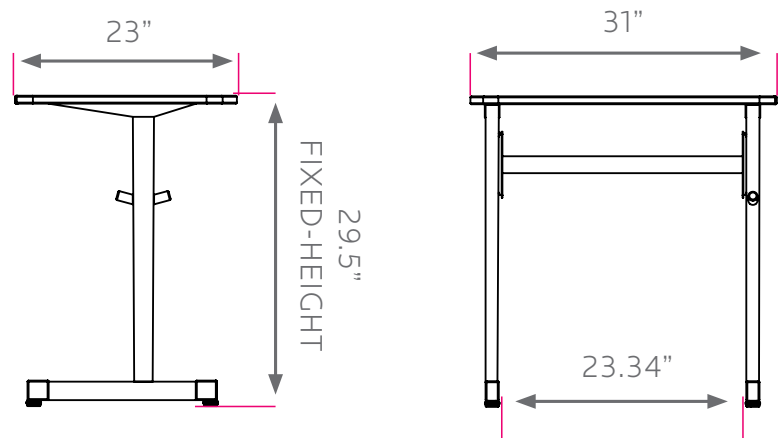
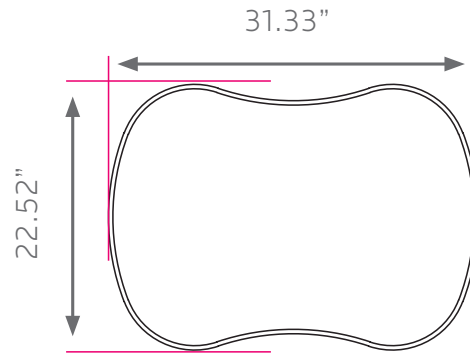


3/4" TOP W/ 3MM - ROUND CORNERS



DIMENSIONS

Model	Description	D"	W"	H"	WT
01658	Sequence Fixed Height Desk w/glides	23	31	29.5	36
Optional Accessories					
17190	Steel Bookbox	15	20	4	8
17200	Wire Bookbasket	15	18	3.5	5
17018	Technology Basket	13	10	2	1
30933	SW (Standard Width) 3" SW Tote w/housing	17.25	12.75	5	3.1
30935	EW (Extra Wide) 3" EW Tote w/housing	17.25	19	4.25	7.3
17576	3" Dual-Wheel Caster Pack (Set of 4, 4 locking)-Black		3 dia.		5
17577	3" Dual-Wheel Caster Pack (Set of 4, 4 locking)-Colors		3 dia.		5



STANDARD LAMINATE OPTIONS

Want to specify a different laminate?

No problem. If you have 20 or more tops of the same color -60 or -38 there is no upcharge. Have 20 or less? We can quote for you with the Wilsonart code and – finish style. We can specify other laminates – call to inquire and get a quote.

SUGGESTED LAMINATE OPTIONS



STANDARD EDGE COLOR OPTIONS



All 20 of the standard laminates are -60 finish, if you need to match a laminate from a previous year, please let us know on your order (example Pewter Mesh 4878-38, our standard is -60).

When the WilsonArt Laminate code includes a "Y", "K", "-12" "-78", "Aeon" etc, these are special laminates with an upcharge, even when it contains -38 or -60.

EDGE COLOR OPTIONS WITH ADDITIONAL LEAD TIME



LEG COLOR OPTIONS

