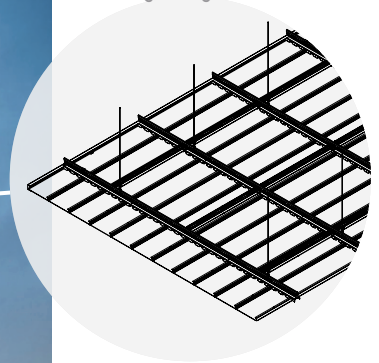


# METALWORKS™ Linear – Synchro®

Interior & Exterior  
smooth texture



CAD/Revit® drawings at:  
[armstrongceilings.com/cadrevit](http://armstrongceilings.com/cadrevit)



plus capabilities  
to do more



MetalWorks Linear – Synchro unperforated, 6" planks in Effects Ginger

[armstrongceilings.com/capabilities](http://armstrongceilings.com/capabilities)  
See more photos at:  
[armstrongceilings.com/photogallery](http://armstrongceilings.com/photogallery)

Durable metal ceiling and wall system that provides a monolithic, no reveal look in a variety of sizes and finishes for interior and exterior applications.

## KEY SELECTION ATTRIBUTES

- new** • Nominal 2", 4", 6", & 9" wide, M1 only, planks now available for exterior applications in four standard metal finishes and 17 Effects™ finishes
- Available for exterior applications on M1 planks, tested to meet wind uplift Classes 30, 60, and 90
- MetalWorks™ Linear – Synchro® panels are part of the Sustain™ portfolio, and meet the most stringent industry sustainability compliance standards today
- Planks easily snap into upper hooks of new Main Beam Carrier (item 7277S3MF)
- Discontinuous ceilings possible with Axiom® trim or coordinating Effects trim using the Adjustable Trim Clip
- CleanAssure™ family of products – includes disinfectable planks, suspension systems, and trim
- new** • Popular linear lighting options for sleek, coordinated visual by BASO™ and Axis. See "Compatible Lights" table in install instructions for details.
- Planks and suspension system tested and approved for seismic areas per ASTM E580, AC 156 Acceptance Criteria for Seismic Qualification Testing of Non-structural Components, and ASTM 3118
- Integrate with pre-engineered Axiom® Indirect Field Light Coves for Specialty Ceilings to achieve predictable lighting performance
- Achieve high sound absorption for interiors with microperforated planks – 0.70 NRC
- new** • Install 4", 6", & 9" wide Linear – Synchro planks on interior wall applications horizontally or vertically with no additional clips or brackets needed



*Also Available for Walls!*

# METALWORKS™ Linear – Synchro®

Interior & Exterior  
smooth texture



**LEED WELL | LBC**

**35% RECYCLED CONTENT**

For LEED contribution contact TechLine

energy management	construction waste mgmt	regional materials	design for flexibility	EPD	recyclable/producer resp.	biobased materials	recycled content	sourcing of raw materials	material ingredient reporting	low emitting/ materials	lighting quality	acoustics
							✓				✓	✓

LOCATION DEPENDENT

WHITE ONLY

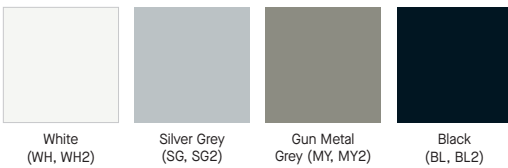


MetalWorks™ Linear – Synchro® 9" planks in Effects™ Nutmeg

## STANDARD COLORS & FINISHES

Due to printing limitations, shade may vary from actual product.

### MetalWorks™ (Interior, Exterior)



### Effects™ Classic (Interior, Exterior) Dye-Sublimation



### new Effects™ Bold (Interior, Exterior) Dye-Sublimation

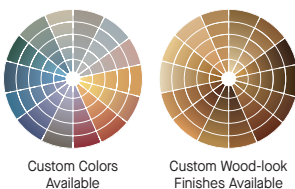


### new Effects™ Subtle (Interior, Exterior) Dye-Sublimation



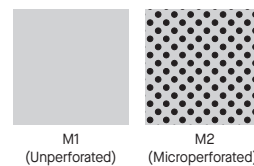
## CUSTOM COLORS & FINISHES

Due to printing limitations, shade may vary from actual product.



For custom options contact ASQuote,  
ASQuote@armstrongceilings.com

## PERFORATION OPTIONS (1:2 scale shown)



# METALWORKS™ Linear – Synchro®

Interior & Exterior  
smooth texture



**LEED WELL | LBC**

**35% RECYCLED CONTENT**

energy management  
construction waste mgmt  
regional materials  
design for flexibility  
EPD  
recyclable/extended producer resp.

For LEED contribution contact TechLine

biobased materials  
recycled content  
sourcing of raw materials  
material ingredient reporting  
low emitting materials  
lighting quality  
acoustics

LOCATION DEPENDENT

WHITE ONLY

## VISUAL SELECTION

Item No. ◆	Description	Dimensions Nominal W x L x D (Inches) Custom Sizes Available	Module Width (Inches)
METALWORKS™ Linear – Synchro® Planks			
8223W02 _ _ _ _ _	2" Plank	2 × 96 × 1"	2.25"
8223W04 _ _ _ _ _	4" Plank	4 × 96 × 1"	4.50"
8223W06 _ _ _ _ _	6" Plank	6 × 96 × 1"	6.75"
8223W09 _ _ _ _ _	9" Plank	9 × 96 × 1"	9.00"

## PERFORMANCE

Dots represent high level of performance.

Fire Performance	Light Reflect (M1 White only)	CleanAssure™ Disinfectable Planks						DURABILITY				Acoustics (M2 Perf only)
		Fog	Spray	Wipe	Wash	Scrub	Impact	Scratch	Soil			
Class A	0.83	*	*	*	*	*	*	*	*	*	0.70	
Class A	0.83	*	*	*	*	*	*	*	*	*	0.70	
Class A	0.83	*	*	*	*	*	*	*	*	*	0.70	
Class A	0.83	*	*	*	*	*	*	*	*	*	0.70	

◆ When specifying or ordering, include the appropriate 2-letter perforation suffix and 2- or 4-letter color suffix (e.g., 8223W04 M1 E X C H, 8223W09 M2 S G).  
NOTE: When specifying or ordering exterior finishes, place a "2" after the item color suffix (e.g., 8223W02M1 S G 2).

## SUSPENSION SYSTEM & ACCESSORIES

	Item No. ◆	Description	Dimensions (Inches) Nominal W x L x H	Color	Pieces/Carton
Suspension Systems	7277S3MF	Main Beam Carrier (MBC) – G90 Mill Finish	144 × 1-3/4 × 2-3/4"	N/A	10
	XL8926	2' Drywall Cross Tee	24 × 1-1/2 × 1-1/2"	N/A	36
	XL8926G90	2' Drywall Cross Tee - Exterior	24 × 1-1/2 × 1-1/2"	N/A	36
Wall-to- Wall Installations	8161	Pressure Spring	N/A	N/A	50
	7113	Spreader Hold Down	N/A	N/A	40
	BERC2	Beam End Retaining Clip	N/A	N/A	200
	5574 _ _ _ _ _	Carrier Molding	120 × 1 × 1"	WH, SG, MY, BL and all Effects Wood Looks	10
	7800 _ _ _ _ _	Hemmed Angle Molding	144 × 7/8 × 7/8"	WH, BL	30
	HD7801G90 _ _	10' Hemmed Angle Molding – Exterior	120 × 7/8 × 7/8"	N/A	30
Floating Cloud Installations	AX6VESTR _ _	Axiom® Vector® Trim – 6" Straight	3/4 × 120 × 6"	WH, SG, MY, BL*	N/A
	AX6VECUR _ _ _ _	Axiom® Vector® Trim – 6" Curved	Vary x 3/4 × 5-13/16"	WH, SG, MY, BL*	N/A
	AX6STR _ _ _ _	Axiom® Classic Trim – 6" Straight	3/4 × 120 × 6"	WH, SG, MY, BL*	N/A
	AX6CUR _ _ _ _	Axiom Classic Trim – 6" Curved	3/4 × 5-13/16"	WH, SG, MY, BL*	N/A
	7239	Adjustable Trim Clip	2-1/2 × 2-1/2 × 1-1/4"	N/A	25
	5344 _ _ _ _ _	4" Effects Wood Looks Trim	Nominal 120" length	All Effects™ Wood Looks	6
	5346 _ _ _ _ _	6" Effects Wood Looks Trim	Nominal 120" length	All Effects Wood Looks	6
Other Accessories	FXSPTHDC	Hold-Down Clip for Cut Panel Installations	N/A	N/A	10
Other Accessories	7237S3	Synchro Cut Plank Bracket	2-1/2 × 2-1/2 × 1-1/4"	N/A	25

\* Items with the same finish name will coordinate but may not be an exact color match.  
◆ When specifying or ordering, include the appropriate letter color suffix (e.g., 8233W02M1 B L, 8233W02M1 E X C H).  
NOTE: When specifying or ordering exterior finishes for suspension system components, place a "2" after the item color suffix (e.g., 5574 W H 2).

## ACCESSORIES

Item No. ◆	Description	Pieces/ Carton	Finish Selection	Item No.	Description	Pieces/ Carton	Finish Selection
8233W02M1 _ _ _ _	2" End Cap	10	WH, SG, MY, BL, and all Effects™ Wood Looks	8243W02	2" Splice Plate	10	N/A
8233W04M1 _ _ _ _	4" End Cap	10	WH, SG, MY, BL, and all Effects Wood Looks	8243W04	4" Splice Plate	10	N/A
8233W06M1 _ _ _ _	6" End Cap	10	WH, SG, MY, BL, and all Effects Wood Looks	8243W06	6" Splice Plate	10	N/A
8233W09M1 _ _ _ _	9" End Cap	10	WH, SG, MY, BL, and all Effects Wood Looks	BERC2	BERC 2 Clip	200	BL
				XTACAG	XTAC Clip	200	BL
				GCWA	GCWA Clip	250	BL

◆ When specifying or ordering, include the appropriate 2- or 4-letter color suffix (e.g., 8233W04M1 W H, 8233W04M1 E X C H).

TechLine 877 276-7876  
armstrongceilings.com/metalworkslinear

**Armstrong®**  
World Industries



METALWORKS™ – Standard

# METALWORKS™ Linear – Synchro®

Interior & Exterior  
smooth texture



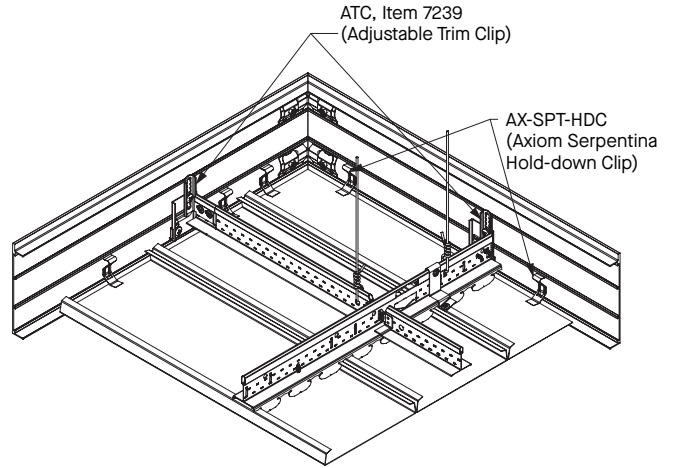
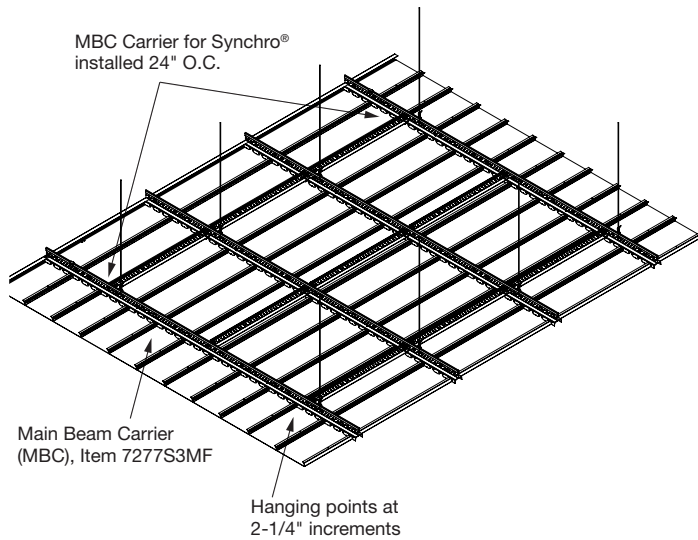
LEED® WELL | LBC

35% RECYCLED CONTENT

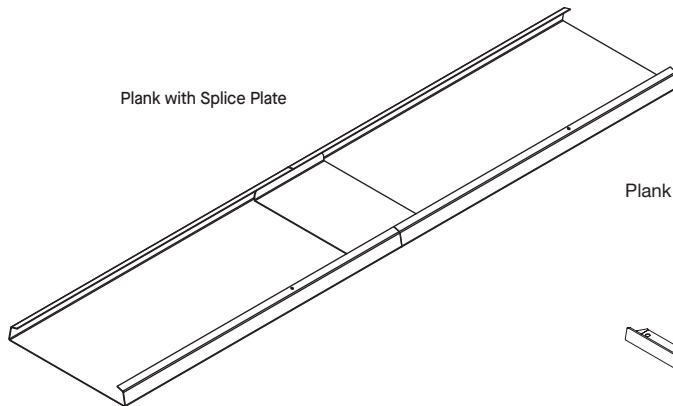
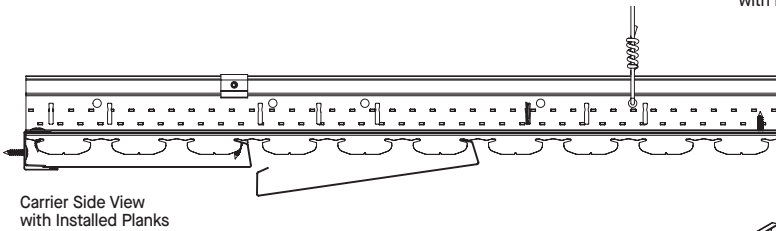
For LEED contribution contact TechLine

energy management	construction waste mgmt	regional materials	design for flexibility	EPD	recyclable/producer resp.	biobased materials	recycled content	sourcing of raw materials	material ingredient reporting	low emitting materials	lighting quality	acoustics
LOCATION DEPENDENT											WHITE ONLY	

## INSTALLATION DETAILS – CEILINGS



MBC2 Carrier for Synchro™ installed 24" O.C.



## PHYSICAL DATA

**Material**  
Electrogalvanized Steel – thickness 0.028"

**Surface Finish**  
Available in White, Silver Grey, Gun Metal Grey, Tech Black, and Effects™ Wood Looks powder-coated, post-production finishes for both interior and exterior applications. Other colors are available as custom. Contact ASQuote@armstrongceilings.com for custom requests.

**Plank Reveal**  
MetalWorks Linear – Synchro planks have a butt joint installation with no reveal between planks for a monolithic visual.

**Fire Performance**  
Class A: ASTM E84 and CAN/ULC S102. Flame Spread Index 25 or less. Smoke Developed Index 50 or less.

**Design Considerations**  
While we strive to ensure exact color matches, various factors such as differences in materials and painting processes can affect how colors appear on ceiling and wall panels, suspension systems, and trim products. Due to these and other differences, items with the same finish name will coordinate but may not be an exact color match.

**Wind Uplift Performance**  
All panels tested for wind uplift Classes 30, 60, and 90. Specific installation recommendations to meet these wind classes are available. Exterior available in unperforated panels only. For more information, contact TechLine at 1 877 276 7876

**ASTM E1264 Classification**  
Fire Class – Class A  
Unperforated – Type XX, Form 2, Pattern G  
Perforated – Type XX, Form 2, Pattern C

**Seismic Restraint**  
MetalWorks Linear – Synchro planks have been engineered, tested, and approved for application in all seismic areas when installed per Armstrong Ceilings installation instructions.

When installed properly, both planks and suspension have been tested to stay in place through vibrations and other seismic events.

**Cleaning and Disinfecting**  
Cleaning and CDC-approved disinfecting options available on [armstrongceilings.com/cleaning](http://armstrongceilings.com/cleaning)

**Warranty**  
Details at [armstrongceilings.com/warranty](http://armstrongceilings.com/warranty)

**Weight; Pieces and Square Feet/Carton**  
8223W02 – 3.5 lbs/pc; 16 PCS/CTN; 24 SF/CTN  
8223W04 – 4.45 lbs/pc; 12 PCS/CTN; 36 SF/CTN  
8223W06 – 6.05 lbs/pc; 8 PCS/CTN; 36 SF/CTN  
8223W09 – 7.95 lbs/pc; 6 PCS/CTN; 36 SF/CTN



LIGHTING SOLUTIONS  
 METALWORKS™ Linear – Synchro®  
 Linear Lighting



MetalWorks Linear – Synchro 11" planks with linear light fixtures

**METALWORKS™ LINEAR – SYNCHRO® LIGHTING INSTALLATION METHODS**

Two different installation methods to integrate linear lighting into Synchro ceiling systems to tailor to project and design needs.

Option 1: Replacing a Linear – Synchro plank with a linear light

Option 2: Cutting Linear – Synchro plank face and housing light fixture within plank

For both options, cut the number of hooks listed in charts below based on coordinating light fixtures.

**COMPATIBLE LIGHTS** The following charts represent the compatible ligifitures from BASO with the two installation methods

	Plank Width	PANO-2	PANO-3.25	PANO-5.25
BASO Option #1	2"	*	N/A	N/A
	4"	*	*	N/A
	6"	*	*	*
	9"	*	*	*
BASO Option #2	2"	N/A	N/A	N/A
	4"	N/A	N/A	N/A
	6"	*	*	N/A
	9"	*	*	*

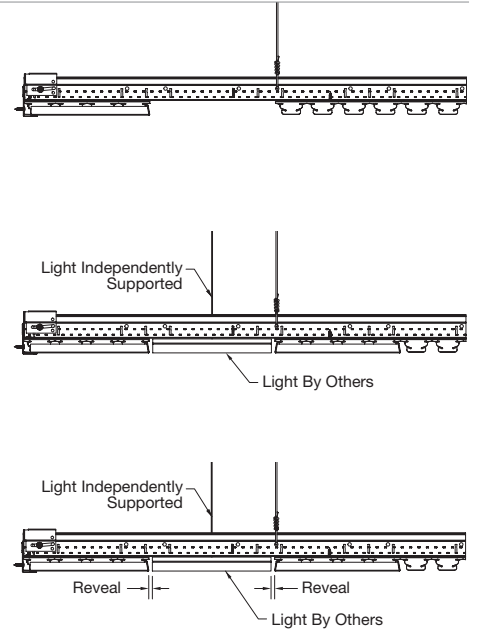
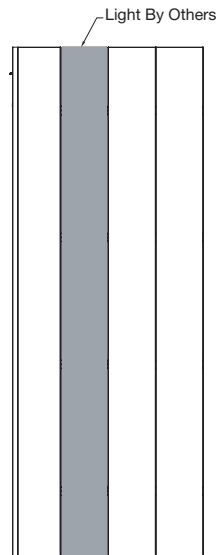
# LIGHTING SOLUTIONS

## METALWORKS™ Linear – Synchro®

### Linear Lighting

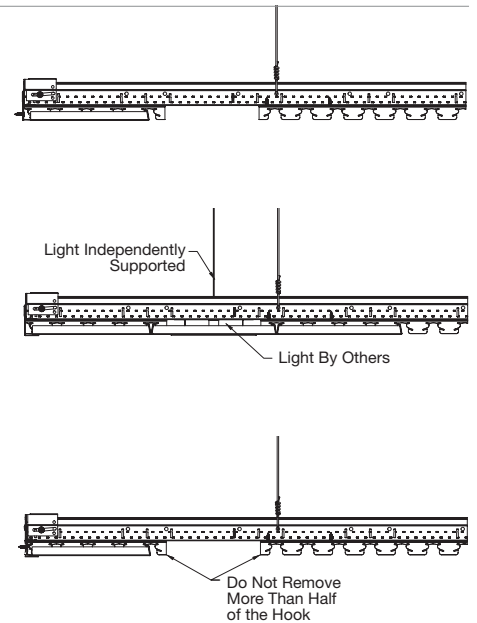
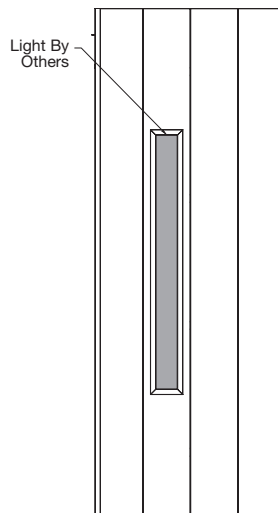
#### INSTALLATION DETAILS – OPTION 1

BASO™	PANO™-2	PANO-3.25	PANO-5.25
Hooks Removed	1	2	3
Equal Reveal on either side of light	0.1325"	0.6325"	0.7575"



#### INSTALLATION DETAILS – OPTION 2

BASO	PANO-2	PANO-3.25	PANO-5.25
Hooks Removed	1	2	3



#### LIGHTING FIXTURES

Compatible with BASO PANO Low-Profile Linear Plank light fixture

# BASO

For detailed lighting information, contact your local BASO representative.