

# TRANSITION MOLDINGS

## Acoustical-to-Drywall Transition Molding

*A FrameAll®  
Drywall Grid Solution*



Acoustical-to-Drywall Transition Molding

Transition moldings save time and money and are easier to install.

### KEY SELECTION ATTRIBUTES

- Fewer parts and pieces; combines acoustical molding with drywall taping flange
- Pre-punched vertical web to improve screw attachment
- Knurled and slotted integral taping flange on items 7901, 7902, 7904, 7905, 7906, 7907, and 7908 accommodates taping and finishing
- Protective film on the face of the wall molding flange of 7904PF and 7905PF facilitates faster, easier mudding, sanding, and taping
- Compatible with all types of framing including FrameAll® Drywall Grid and ShortSpan® framing
- 7915 with 7/8" acoustical flange for seismic applications

### VISUAL SELECTION

	Item No.	Flange	Length	Reveal	Pcs/Ctn	LF/Ctn.	
Shadow Reveal Transition Molding	7901	9/16"	120"	3/8"	12	120	
	7902	15/16"	120"	3/8"	12	120	
	7911	9/16"	120"	3/8" x 1/4"	12	120	
	7912	15/16"	120"	3/8" x 1/4"	12	120	
Flush Transition Molding	7903	9/16"	120"	1"	12	120	
	7904 7904PF*	15/16"	120"	N/A	12	120	
	7905 7905PF*	9/16"	120"	N/A	12	120	

FRAMEALL® DRYWALL GRID – Standard

# TRANSITION MOLDINGS

## Acoustical-to-Drywall Transition Molding

**LEED WELL LBC**

UP TO **61% RECYCLED CONTENT**

Calculate sustainability with Ecomedes [armstrongceilings.com/ecomedes](http://armstrongceilings.com/ecomedes)

energy management, construction waste mgmt, regional materials, design for flexibility, EPD, recyclable/producer resp., biobased materials, recycled content, sourcing of low materials, material ingredient reporting, low emitting materials, lighting quality, acoustics

LOCATION DEPENDENT

Well Building Standard™ (WELL) Living Building Challenge® (LBC)

### VISUAL SELECTION

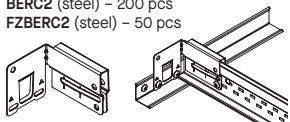
	Item No.	Flange	Length	Transition Height	Pcs/Ctn	LF/Ctn.	
F Vertical Transition Molding	7906	1/2"	120"	N/A	12	120	
	7913	9/16"	120"	N/A	12	120	
	7914	15/16"	120"	N/A	12	120	
	<b>new</b> 7915	7/8"	120"	N/A	12	120	
Tegular Transition Molding	7907	9/16"	120"	15/16"	12	120	
	7908	15/16"	120"	15/16"	12	120	
Step Transition Molding	7909	15/16"	120"	1"	12	120	
	7910	9/16"	120"	1"	12	120	

\* Protective film applied to face of wall molding flange for easier finishing.

### ACCESSORIES

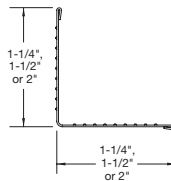
**2" Beam End Retaining Clip** – Joins main beam or cross tee to wall molding and web of suspension system with no visible pop rivets.

- ALBERC2 (aluminum) – 200 pcs
- FZALBERC2 (aluminum) – 50 pcs
- BERC2 (steel) – 200 pcs
- FZBERC2 (steel) – 50 pcs



**Knurled Angle Molding** – Hemmed with prefinished exposed flanges.

- KAM10 – 10 pcs
- KAM12 – 10 pcs



# TRANSITION MOLDINGS

## Acoustical-to-Drywall Transition Molding

**LEED WELL LBC**

UP TO **61% RECYCLED CONTENT**

Calculate sustainability with Ecomedes  
armstrongceilings.com/ecomedes

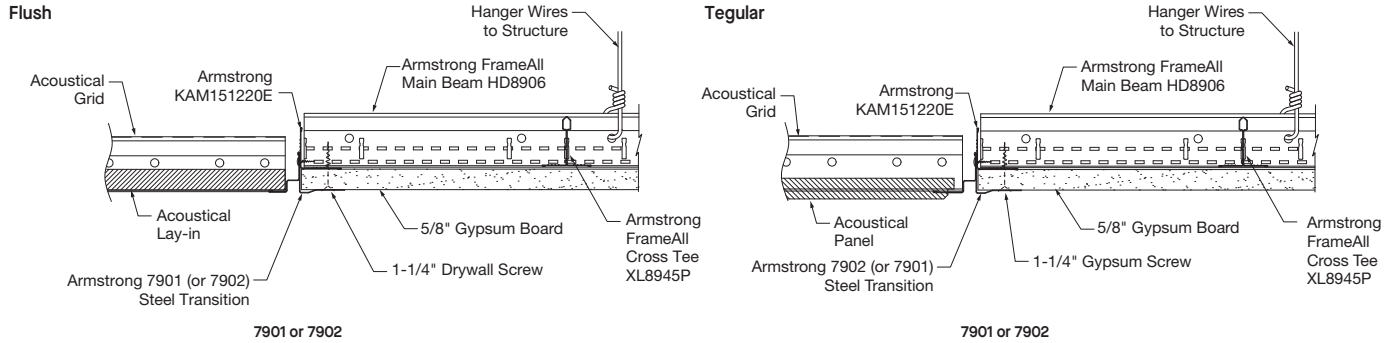
energy management	construction waste mgmt	regional materials	design for flexibility	EPD	recyclable/extended producer resp.	biobased materials	recycled content	sourcing of raw materials	material ingredient reporting	low emitting materials	lighting quality	acoustics
-------------------	-------------------------	--------------------	------------------------	-----	------------------------------------	--------------------	------------------	---------------------------	-------------------------------	------------------------	------------------	-----------

LOCATION DEPENDENT

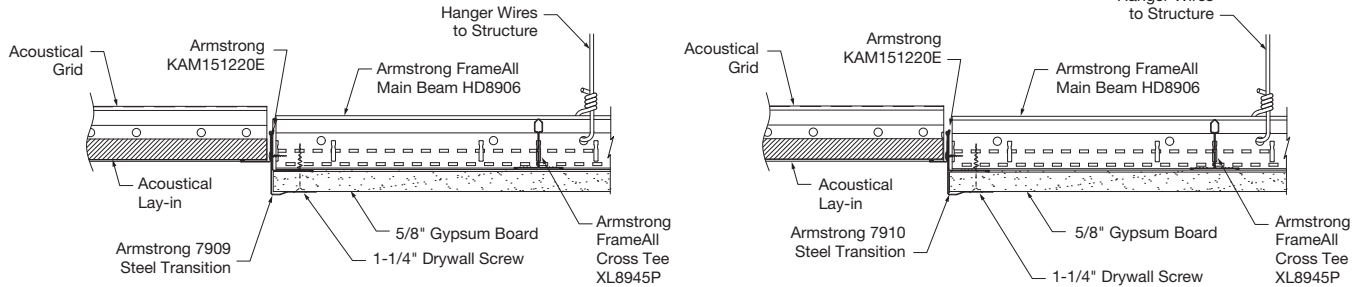
Well Building Standard™ (WELL) Living Building Challenge® (LBC)

### INSTALLATION DETAILS

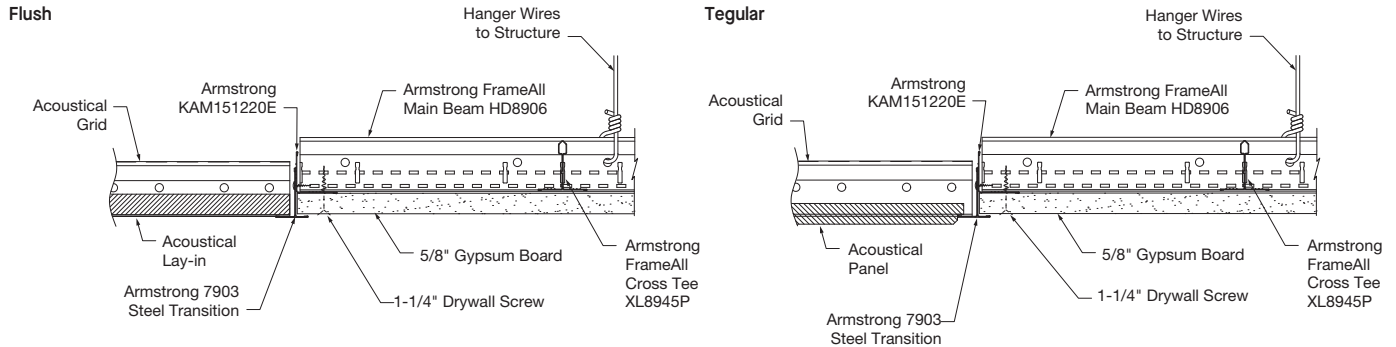
Drywall to Acoustical (Acoustical Flange with 3/8" reveal) 7901 – 9/16" and 7902 – 15/16"



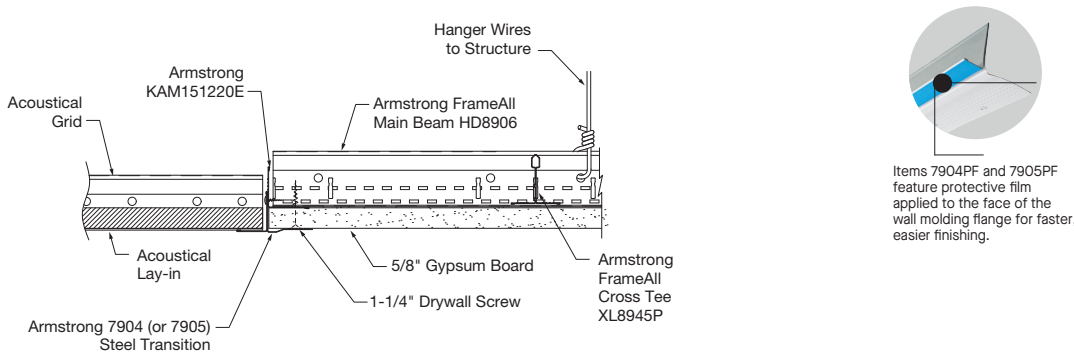
Drywall to Acoustical 1" Step 7909 – 15/16" and 7910 – 9/16"



Drywall to Acoustical (1" Inverted T) 7903



Drywall to Acoustical Flush Transition 7904/7904PF – 15/16" and 7905/7905PF – 9/16"



FRAMEALL® DRYWALL GRID – Standard

# TRANSITION MOLDINGS

## Acoustical-to-Drywall Transition Molding

**LEED® WELL™ LBC**

UP TO **61% RECYCLED CONTENT**

Calculate sustainability with Ecomedes  
[armstrongceilings.com/ecomedes](http://armstrongceilings.com/ecomedes)

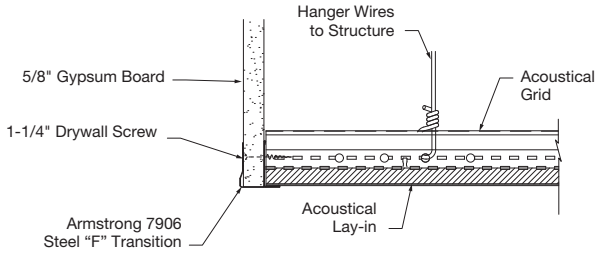
energy management	recyclable/recycled content	biobased materials	low emitting materials	lighting quality	acoustics
construction waste mgmt	design for flexibility	recycled content	material ingredient reporting		
regional materials	EPD	recyclable/recycled content	low emitting materials		
		biobased materials	low emitting materials		

LOCATION DEPENDENT

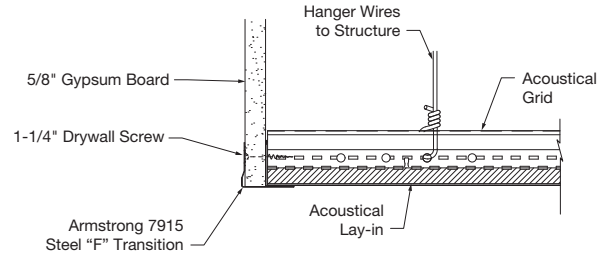
Well Building Standard™ (WELL) Living Building Challenge® (LBC)

### INSTALLATION DETAILS (CONTINUED)

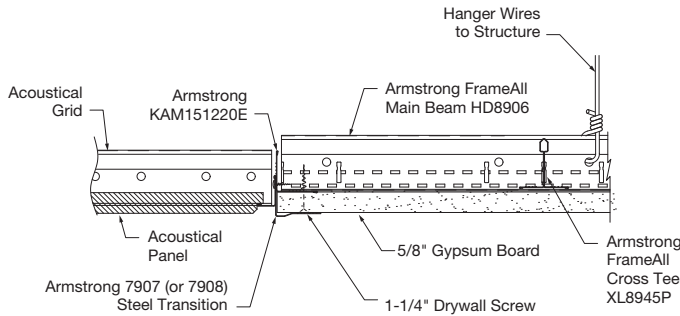
F Vertical Transition Molding Flush 7906



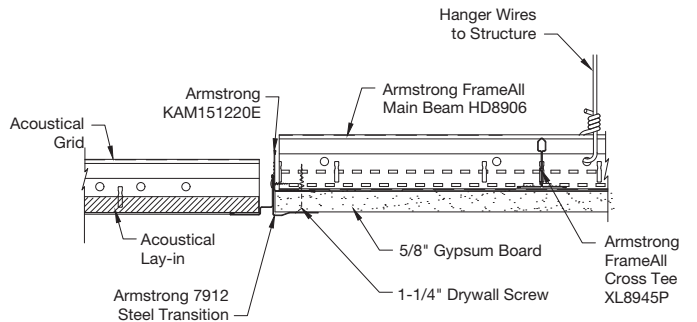
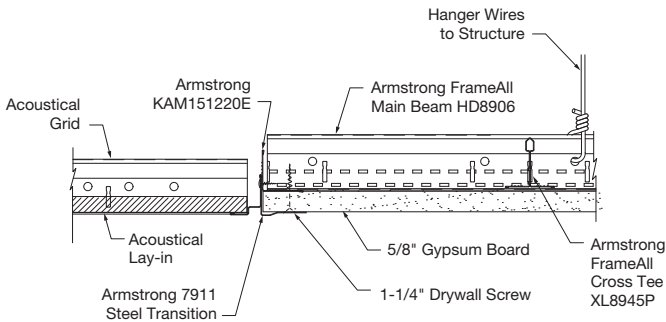
F Vertical Transition Molding Flush 7915



Drywall-to-Acoustical Tegular 7907 - 9/16" and 7908 - 15/16"



Drywall to Acoustical (Acoustical Flange with 3/8" x 1/4" reveal) 7911 - 9/16" and 7912 - 15/16"



Stepped 7913 - 9/16" and 7914 - 15/16"

