

Reff Profiles

Planning a Private Office

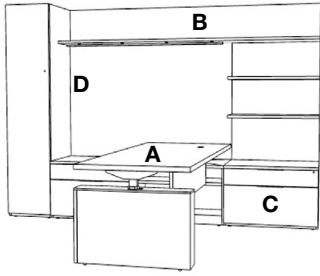
Reff Profiles celebrates rich materiality—from wood to laminate to stone to glass and more—creating offices with a variety of aesthetic options and a high level of personalization.

A comprehensive workplace collection that includes extensive planning capabilities and a broad scope of individual components, Reff Profiles can create private offices to support a spectrum of work styles and needs.



Reff Profiles

Planning a Private Office



- A** Worksurface
- B** Overheads
- C** Storage
- D** Insert materials

Planning

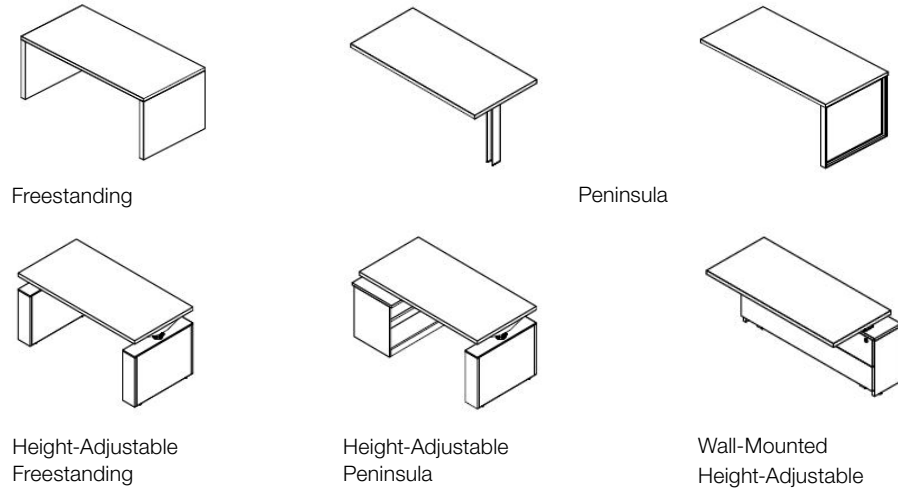
- + Create individual, multi-use and shared offices from the same components to support a range of work styles.
- + Common planning configurations include a work wall with a freestanding desk, peninsula; or perpendicular table; a work wall with an integrated worksurface; and a U-shape.
- + Components are planned, specified, manufactured, and installed using a modular systems approach, which delivers a consistent and durable product at a competitive price and lead time.

Features

- + Reff Profiles offers variety from traditional to contemporary aesthetics.
- + Array of open and enclosed storage options and overhead configurations create myriad ways to store and display work and personal items.
- + Freestanding, peninsula, and wall-mounted height-adjustable desks bring the beauty of wood and a tailored aesthetic to the sit-stand desk category.
- + Wall panels, including upholstered tackboards and task panels with writable surfaces, are a great way to exchange ideas or simply hold a thought.
- + Overheads are available in laminate, veneer, markerboard and glass.

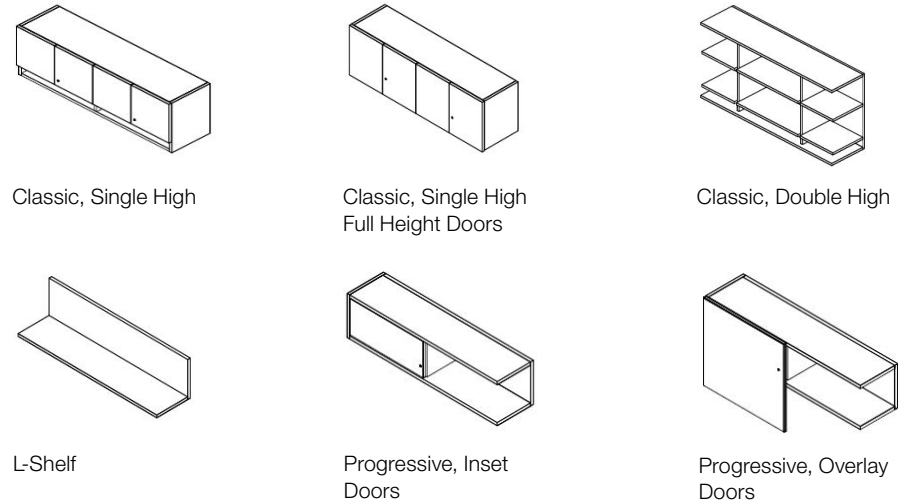
WORKSURFACE

Freestanding desks, perpendicular peninsulas, and integrated worksurfaces in a range of support styles.



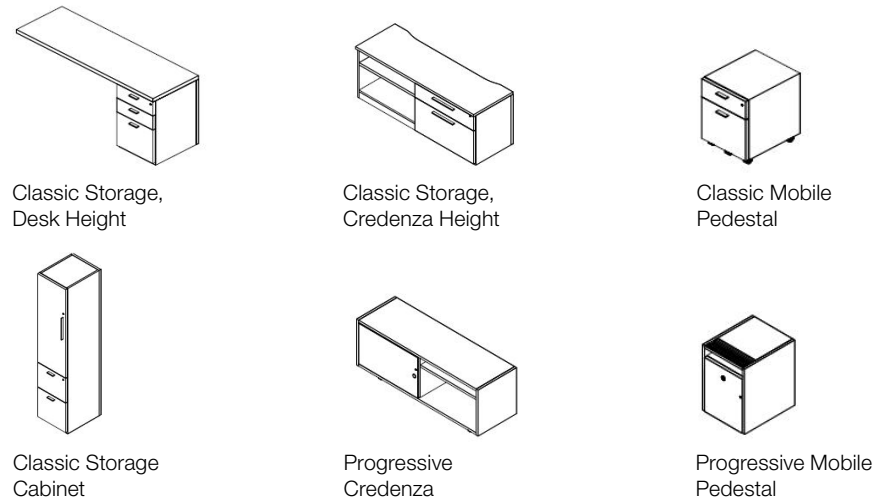
OVERHEADS

Wall-hung overhead cabinets and furniture-supported hutches in open and enclosed configurations. L-Shelves offer a lighter, streamlined alternative to traditional overhead storage.



STORAGE

Multi-functional storage in a range of styles and configurations.



Reff Profiles

Planning a Private Office

Technology Management

- + Desktop modules deliver convenient access to power and data.
- + Power and data cables are managed discreetly via grommets, cable trays, a universal cable curtain, removable modesty panels and open-back storage components.
- + Rollout printer drawer and CPU storage cubby conveniently accommodate essential business equipment.

Materials & Finishes

- + Available in a mix of materials—from FSC® Certified natural wood and economical woodgrain laminates to the diverse textures of stone, glass and metal—that support a range of applications, tastes and budgets.
- + 150 standard veneer finish options, including FSC® Certified natural veneers, bring warmth and authenticity to the private office.

Sustainable Design

- + BIFMA Level Certified
- + Available with an FSC® Certified claim
- + Certified Clean Air GOLD
- + Can contribute to achieving LEED certification for Existing Buildings, Commercial Interiors and New Construction

Click here to see how Reff Profiles meets your environmental goals.

INSERT MATERIALS - TACK BOARD AND WALL MOUNTS

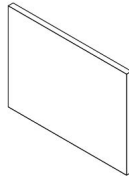
Simple tack boards are available in a range of KnollTextiles upholstery. High-performance task panels conceal and manage cables and accept tool rails to optimize wall functionality. Available in fabric, laminate, veneer, glass, markerboard, and tackable linoleum. Task panel shelves attach to optional tool rail.

Task Panel



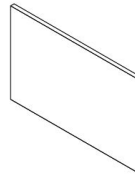
Tackable Fabric Laminate Veneer Glass Laminate Markerboard Forbo

Progressive Tackboard



Tackable Fabric

Simple Tackboard



Tackable Fabric

TECHNOLOGY MANAGEMENT



Power Center



Clamp On



Table Undermount