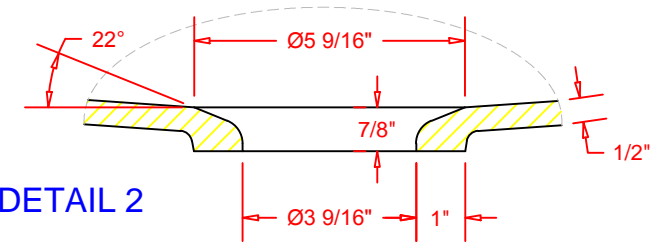
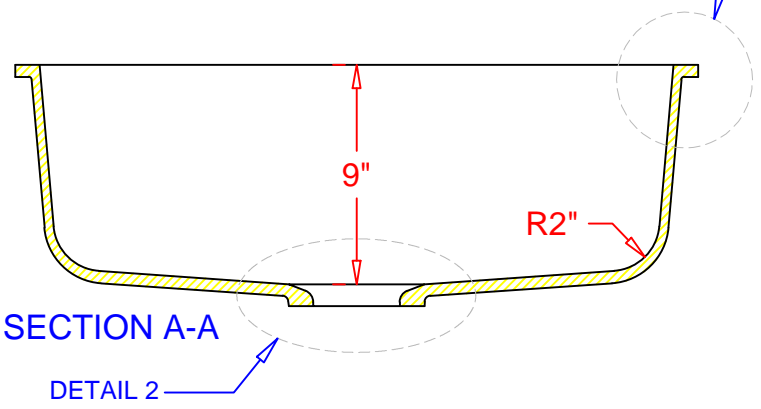
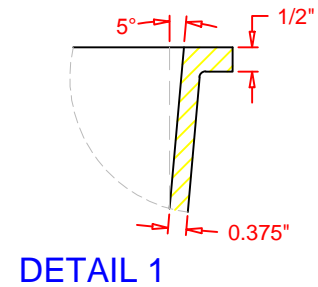
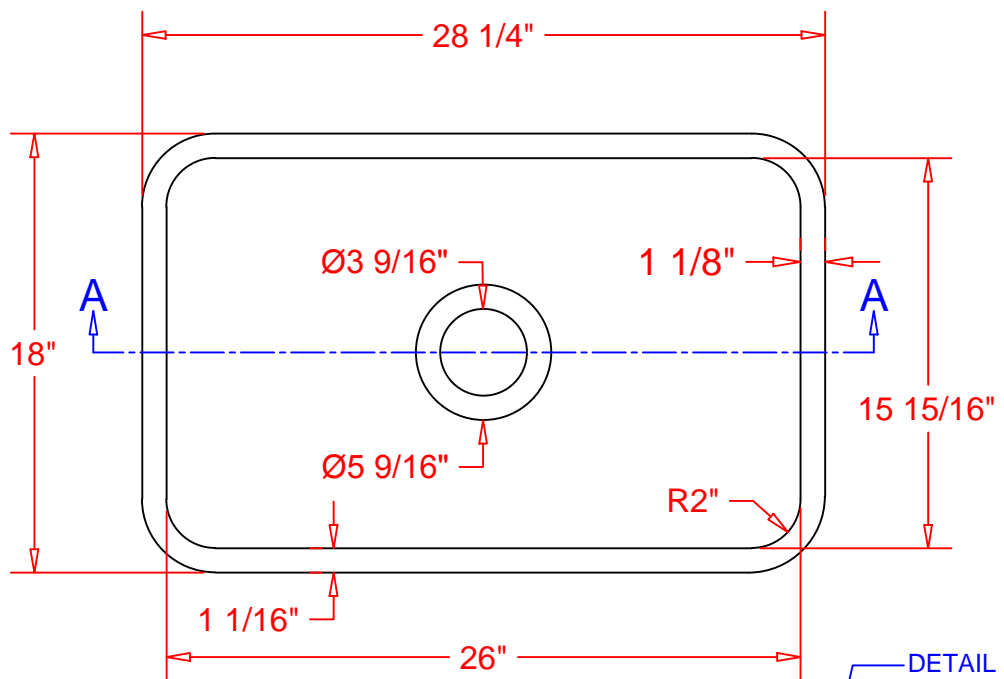


Rev #			
Rev #			



Part Number:	AK2615		
Description:	Rectangular Utility Sink		
Date Drawn:	09 / 05 / 2018	Weight:	31 Lbs
		Scale:	None
Drawn By:	Carlos Hernandez	Revised By:	
Approved By:	Daniel Shin	Date:	01 / 09 / 2019

Customer Approval: _____ Date: _____
 Path: @Engineering\