

33 500 809 Product version from 3/13/2017

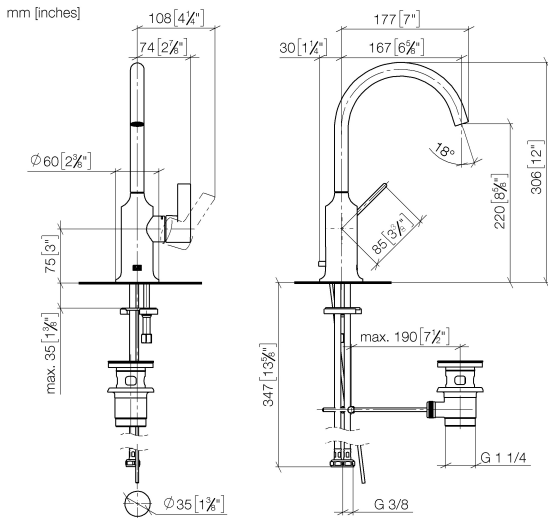


- 167mm projection
- pivotable spout 360°
- circular, air-enriched flow
- height of mixer 306 mm
- height up to aerator 220 mm
- hole diameter 35 mm
- 2x screw-in M 8 x 1 pressure hose, leak-tested
- max. flow 5.7 l/min
- lead-free
- This product can help a building meet the requirements of Green Building Rating Systems, e.g. LEED®, BREEAM®, DGNB
- WRAS

Only suitable for basins with an overflow.

	Chrome	33 500 809-00
	Brushed Platinum	33 500 809-06
	Platinum	33 500 809-08
	Dark Chrome	33 500 809-19
	Brushed Durabronze (23kt Gold)	33 500 809-28
	Brushed Dark Brass	33 500 809-39
	Brushed Bronze	33 500 809-42
	Brushed Champagne (22kt Gold)	33 500 809-46
	Champagne (22kt Gold)	33 500 809-47
	Brushed Dark Platinum	33 500 809-99

33 500 809 Product version from 3/13/2017



**Flow rate chart**



**Codes & Standards**

DIN 4109

Executive Order  
no. 1007

ISO 3822

Scottish Water  
Byelaws

UK Water Supply  
Regulations

Ü-Zeichen



## VAIA Single-lever basin mixer with pop-up waste - Chrome

---

VAIA

33 500 809 Product version from 3/13/2017

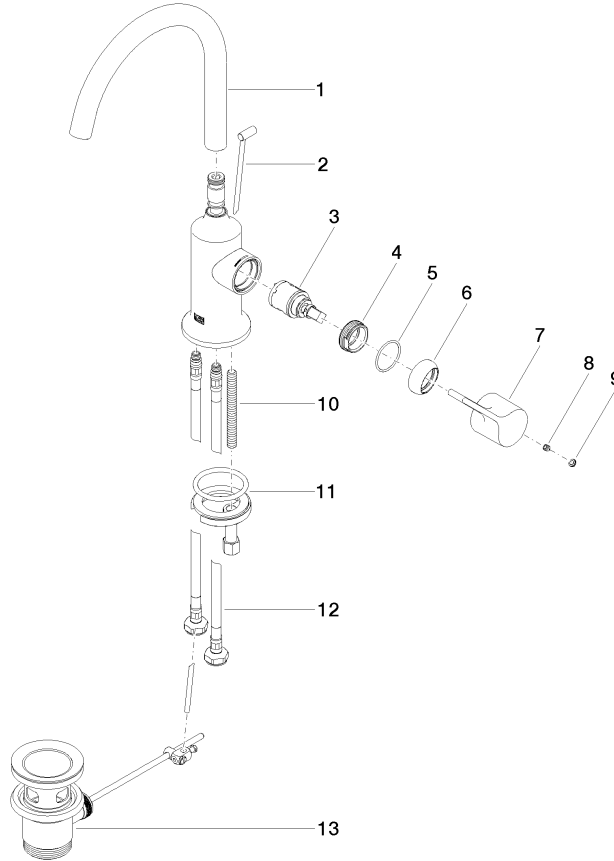
### Certificates and sustainability

---

LGA\_29

GDV\_0400

WRAS\_240702



Spare parts list

No.	Item Number	Name	Quantity used	Delivery time
	11 04 30 11 038 00 90	fixing set	1.00	2
	6 09 28 30 021-00	cover	1.00	10
	3 90 15 05 042 00 90	cartridge	1.00	2
	9 90 31 20 087 00-00	plug	1.00	10
	2 04 20 89 035 80-00	pull-rod	1.00	10
	4 09 24 04 266 90	nut	1.00	2
	10 09 31 11 011 90	pin	1.00	2
	5 09 14 10 091 90	seal	1.00	2
	12 04 30 04 100 00 90	hose	2.00	2
	1 90 28 22 311 00-00	spout	1.00	10
	8 90 31 11 030 00 90	pin	1.00	2
	13 90 11 01 001 00-00	pop-up waste	1.00	10
	7 90 20 80 070 00-00	handle	1.00	10