

13 801 832 Product version from 1/1/2023



- 200mm projection
- circular normal flow
- hole diameter 37 mm
- 1/2" connection
- max. flow 24 l/min at 3 bar flow pressure
- rosette 79 x 48 mm
- WRAS

	Chrome	13 801 832-00
	Soft Black	13 801 832-69

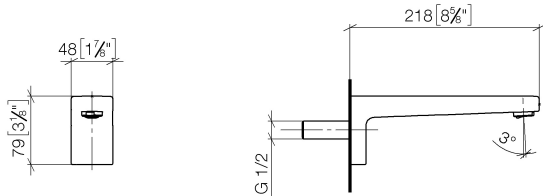
**Recommended miscellaneous**

**Concealed wall elbow - 35 085 970 90**

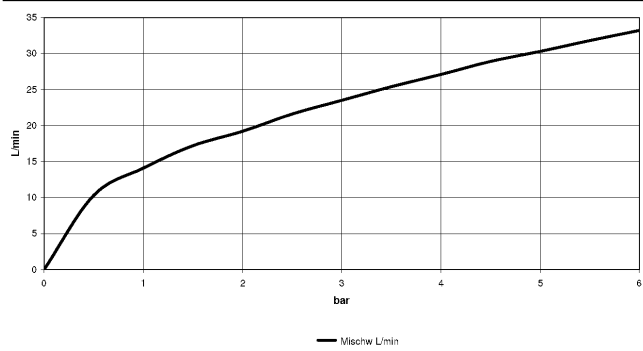


13 801 832 Product version from 1/1/2023

mm [inches]



**Flow rate chart**



**Codes & Standards**

ASME A112.18.1	cUPC	DIN 4109	ISO 3822
Scottish Water Byelaws	UK Water Supply Regulations	Ü-Zeichen	XP P 41-280



## DORNBACHT YARRE Bath spout for wall mounting - Chrome

DORNBACHT  
YARRE

13 801 832 Product version from 1/1/2023

### Certificates and sustainability

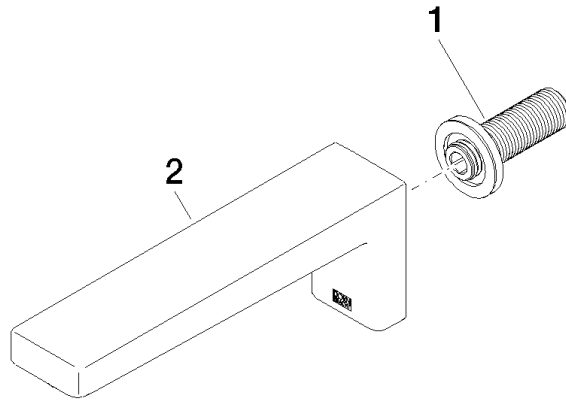
---

WRAS\_2310

ACS\_23 ACC NY

AbP\_10

IAPMO\_4976 (



**Spare parts list**

No.	Item Number	Name	Quantity used	Delivery time
2	90 11 06 225 00-00	spout	1.00	2
1	90 24 03 316 00 90	nipple	1.00	2