

17 871 861 Product version from 3/1/2025



- 145mm projection
- pivotable spout 360°
- laminar flow
- height of mixer 250 mm
- height up to laminar flow regulator 185 mm
- hole diameter 35 mm
- provides filtered, hot water up to 93°C
- Provides filtered water
- max. flow 3.8 l/min at 3 bar flow pressure
- mechanical valve
- lead-free
- lever

• This product can help a building meet the requirements of Green Building Rating Systems, e.g. LEED®, BREEAM®, DGNB

**A minimum flow pressure of 3 bar is necessary for the HOT & COLD WATER DISPENSER to work perfectly in conjunction with a hot water tank and filter.**

**The installation must be above a kitchen sink.**

**The filter cartridge must be changed every six months. The installation instructions contain further information for guidance.**

**Detailed planning information and technical data can be found at**

**[www.dornbracht.com/professional](http://www.dornbracht.com/professional)**

**Not compatible with reverse osmosis filtration**

**Instantly boiling hot water by pulling the lever forward – version without child safety lock.**

A minimum flow pressure of 3 bar is necessary for the HOT & COLD WATER DISPENSER to work perfectly in conjunction with a hot water tank and filter.

The installation must be above a kitchen sink.

The filter cartridge must be changed every six months. The installation instructions contain further information for guidance.

Detailed planning information and technical data can be found at [www.dornbracht.com/professional](http://www.dornbracht.com/professional)

Not compatible with reverse osmosis filtration

Instantly boiling hot water by pulling the lever forward – version without child safety lock.

	Chrome	17 871 861-00
	Brushed Platinum	17 871 861-06
	Platinum	17 871 861-08
	Dark Chrome	17 871 861-19
	Brushed Durabronze (23kt Gold)	17 871 861-28
	Matte Black	17 871 861-33
	Brushed Dark Brass	17 871 861-39
	Brushed Bronze	17 871 861-42
	Brushed Champagne (22kt Gold)	17 871 861-46
	Champagne (22kt Gold)	17 871 861-47
	Brushed Chrome	17 871 861-93
	Brushed Dark Platinum	17 871 861-99

Required miscellaneous



Hot water tank incl. filter -

12 892 970 90

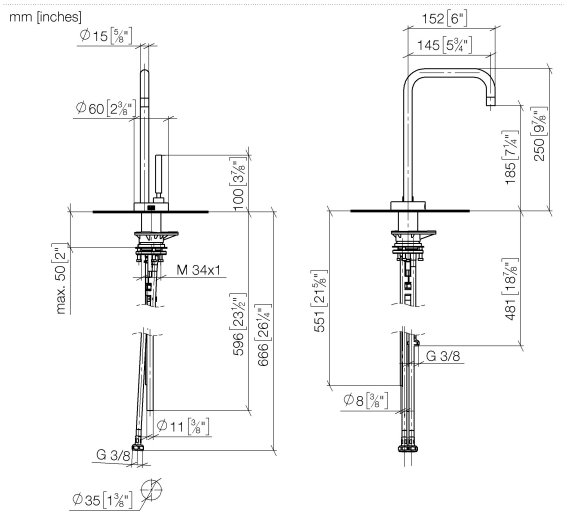
Required miscellaneous

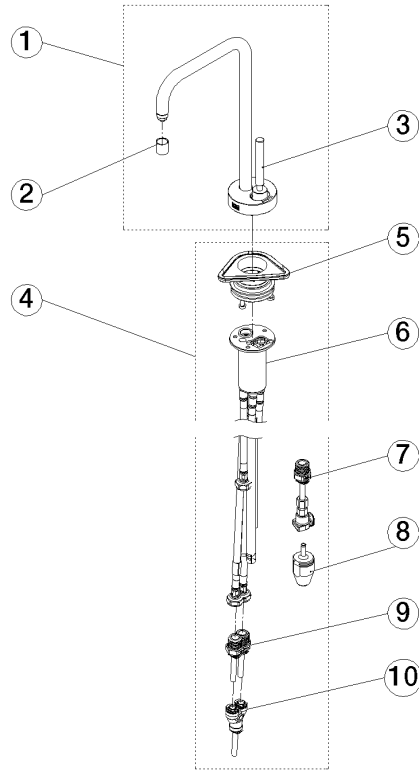


Hose set -

12 530 970 90

17 871 861 Product version from 3/1/2025





**Spare parts list**

No.	Item Number	Name	Quantity used	Delivery time
4	90 17 87 179 01 90	set	1.00	2
8	90 24 04 291 00 90	insert	1.00	2
5	90 30 10 057 00 90	fixing set	1.00	2
6	90 30 01 220 00 90	hose	1.00	2
9	90 24 04 293 01 90	hose	1.00	2
2	90 18 40 163 01-00	aerator	1.00	10
7	90 24 04 293 00 90	adaptor	1.00	2
10	90 24 04 364 00 90	adaptor	1.00	2
1	90 17 87 286 10-00	spout	1.00	10
3	90 20 87 022 02-00	handle	1.00	-

Spare part can no longer be ordered, please order the replacement item