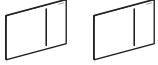


INSTALLATION SYSTEMS

Replacement Parts

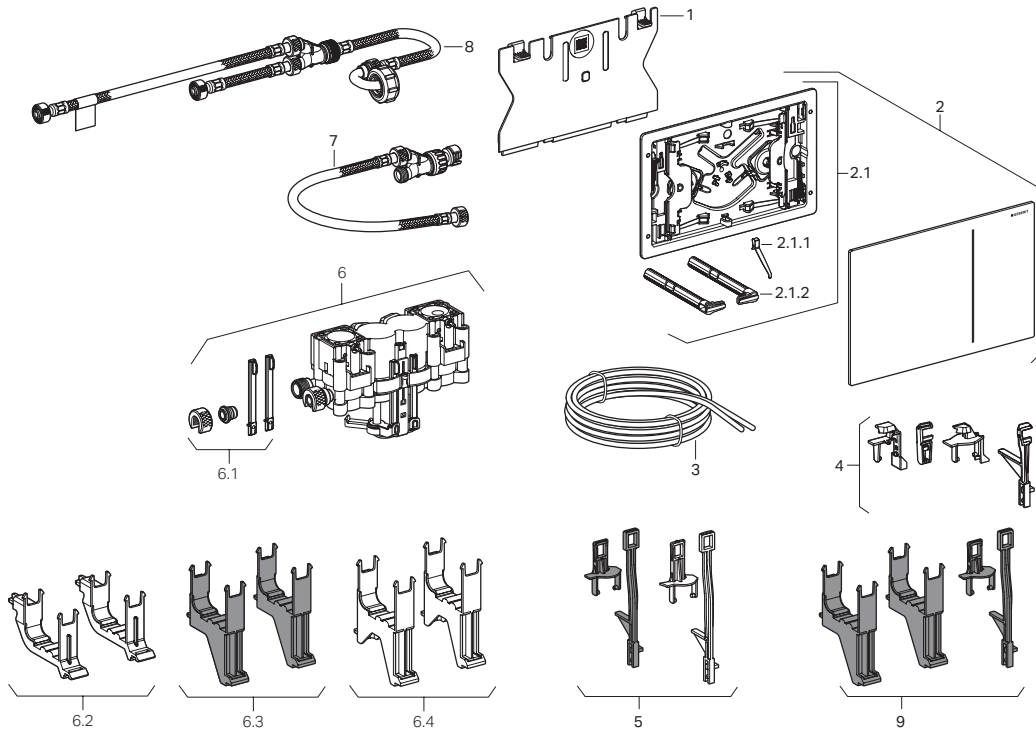
Geberit Sigma70 Actuators


115.620 115.625 Actuator Dimensions: 9.5" x 6.3" (24 cm x 15.8 cm)



Item	Model No.	Description
1	242.819.00.1	Protection plate for Sigma Concealed Tank 2x6
1	243.084.00.1	Protection plate for Sigma Concealed Tank 2x4
2	242.813.FW.1	Actuator plate Sigma70, Brushed Stainless Steel
2	242.813.JK.1	Actuator plate Sigma70, Lava Glass
2	242.813.JL.1	Actuator plate Sigma70, Grey Sand Glass
2	242.813.SI.1	Actuator plate Sigma70, White Glass
2	242.813.SJ.1	Actuator plate Sigma70, Black Glass
2	242.813.00.1	Actuator plate Sigma70 customer supplied inlay
2.1	242.814.00.1	Mounting frame Sigma70
2.1.1	813.514.00.1	Spring for actuator plate
2.1.2	241.874.00.1	Actuator rod set mount w/o tool
3	243.297.00.1	Double pneumatic hose, 78.74" (2 m), dual-flush (Green/Clear)
4	242.825.00.1	Conversion set flush valve Sigma Concealed Tank, 4.72" (12 cm) and Omega Concealed Tank 2x6
5	242.826.00.1	Conversion set flush valve Sigma Concealed Tank, 3.16" (8 cm) 2x4
6	242.820.00.1	Hydraulic flushing device, 1-6 bar (15-87 psi)
	243.461.00.1	Hydraulic flushing device, 1-3 bar (15-44 psi). Optional replacement for low pressure service
6.1	242.822.00.1	Spare parts set for hydraulic lifter
6.2	243.170.00.1	Support block hydraulic servo lifter for 2x6 Sigma Concealed Tank
6.3	243.171.00.1	Support block hydraulic servo lifter for 2x4 Sigma Concealed Tank (until 2015, model 111.728.00.1 UP720)
6.4	243.347.00.1	Support block hydraulic servo lifter for 2x4 Sigma Concealed Tank (2016 version)
7	242.824.00.1	Connection hose complete for Sigma Concealed Tank, 4.72" (12 cm) 2x6
8	242.823.00.1	Connection hose complete for Sigma Concealed Tank, 3.16" (8 cm) 2x4
9	245.473.00.1	Conversion set for hydraulic servo lifter, for Sigma concealed tank 8 cm/2x4 (up to year of manufacture 2015, model 111.728.00.1 UP720)

For units until April 1, 2023



Products marked with  comply with the American Disabilities Act (ADA) when installed per the requirements of the latest ADA Accessibility Guidelines (ADAAG) and/or ICC/ANSI A117.1.

INSTALLATION SYSTEMS

Replacement Parts

Geberit Sigma70 Actuators

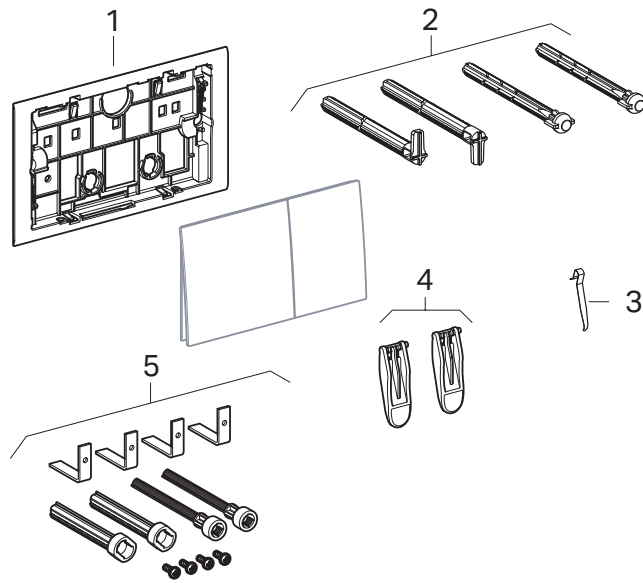
115.622


Actuator Dimensions: 9.8" x 5.8" (25 cm x 14.6 cm)



Item	Model No.	Description
1	245.735.00.1	Geberit mounting frame for Sigma70 actuator plate
1	245.735.JQ.1	Geberit mounting frame for Sigma70 actuator plate, matte chrome
2	242.588.00.1	Rod set to Sigma60
3	813.514.00.1	Spring for actuator plate
4	243.422.00.1	Rocker act plate Sigma 60(2016) Set-2
5	240.938.00.1	Extension set for actuator plates for Sigma Concealed Tanks 2x6, 2x4, Kappa and Omega Concealed Tanks

For units from June 1, 2023



Products marked with  comply with the American Disabilities Act (ADA) when installed per the requirements of the latest ADA Accessibility Guidelines (ADAAG) and/or ICC/ANSI A117.1.