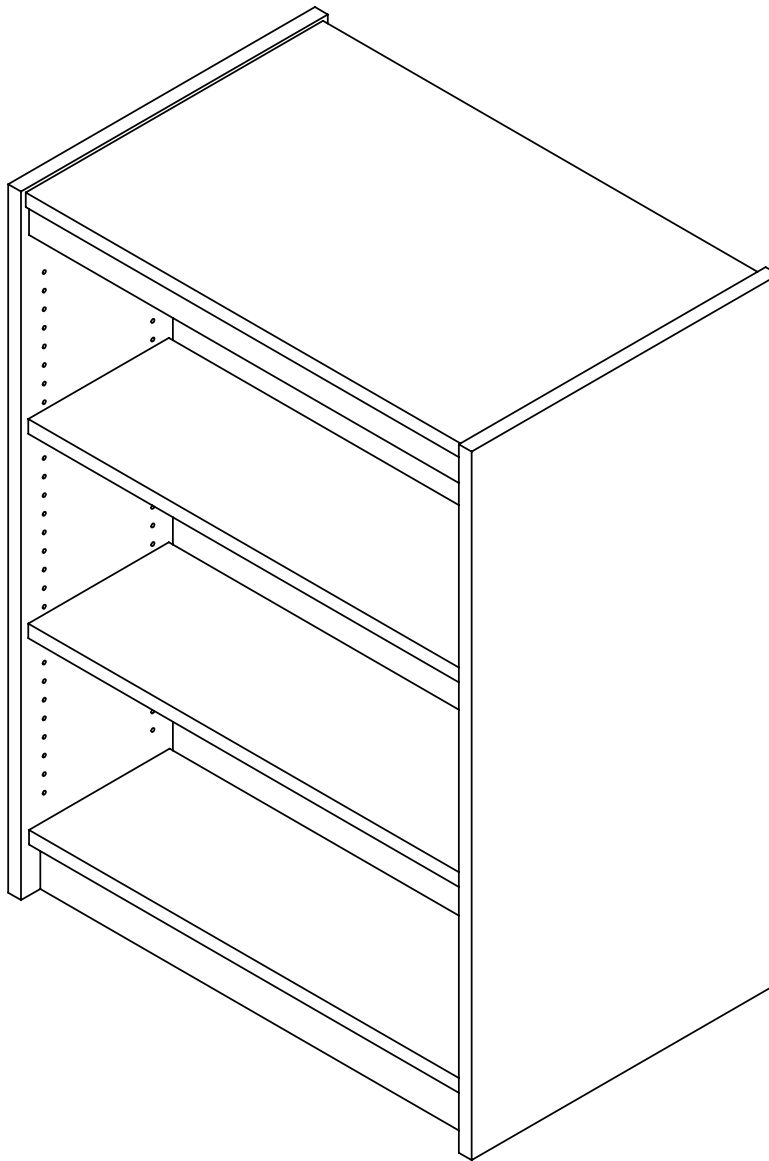


MooreCo Array Shelving - Double Face Stand Alone Units



Part Numbers:

SH.AR.SL.DO.362436-XXXX, SH.AR.SL.DO.362442-XXXX, SH.AR.SL.DO.362448-XXXX, SH.AR.SL.DO.362460-XXXX, SH.AR.SL.DO.362472-XXXX



ASSEMBLY INSTRUCTIONS
DO NOT THROW AWAY!



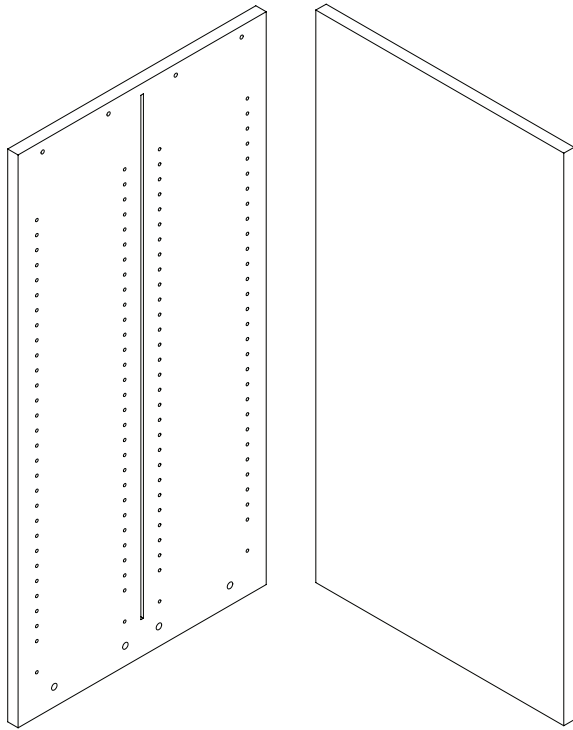
**INSTRUCCIONES DE
ENSEMBLAJE**
NO LA TIRE

**INSTRUCTIONS DE
MONTAGE**
NE PAS JETER

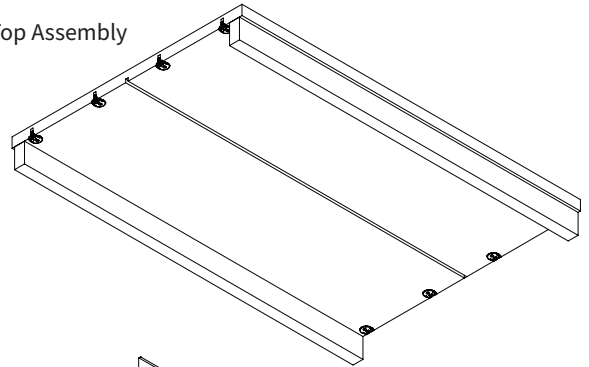
PARTS LIST

Note: The exact quantities of parts and hardware pieces may vary, based on the specific model or kit ordered.

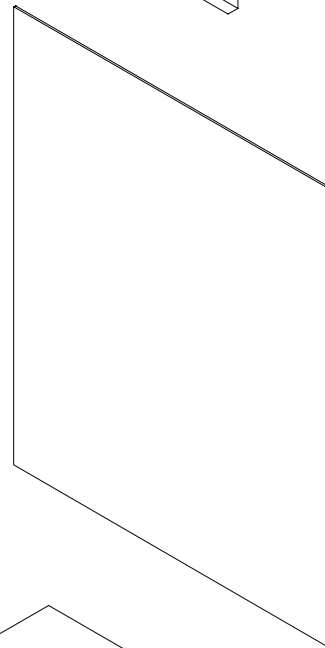
End Panels (holes on one side)



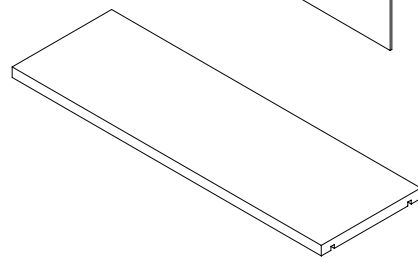
Top Assembly



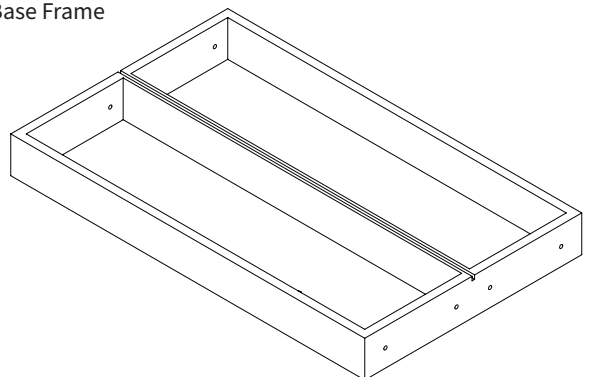
Back Panel



Shelf

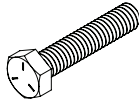


Base Frame

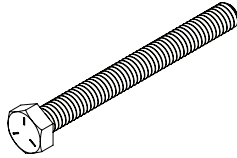


HARDWARE

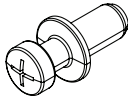
Bolt, 5/16-18 X 1-1/2"



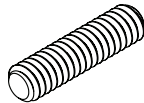
Bolt, 5/16-18 X 3"



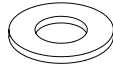
Rafix Pin



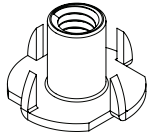
Shelf Pin



Washer



T-nut (pre-installed in panels)

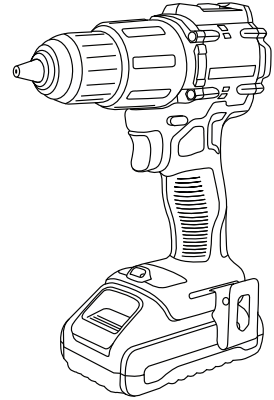


Note: The exact quantities of parts and hardware pieces may vary, based on the specific model or kit ordered.

TOOLS & SAFETY

Here is a list of tools and safety equipment recommended for a successful and safe installation.

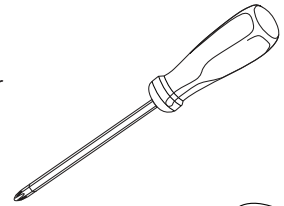
Power Drill



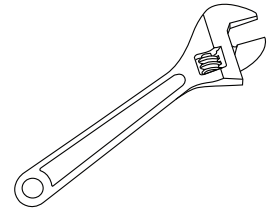
#3 Phillips Screwdriver Bit



Hand Held #3 Phillips Screwdriver



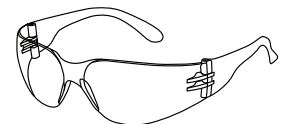
Adjustable Wrench
(or Socket Wrench)



Work Gloves



OSHA Approved Safety Goggles



WARNINGS AND DISCLAIMERS

Review full assembly instructions and check that all parts are present before beginning assembly. Heavy or large furniture may require multiple persons in order to properly assemble. If you have questions regarding assembly, contact the manufacturer before continuing. Damage due to incorrect assembly may not be covered by warranty. Do not use product unless all screws are tight. Check all screws for tightness at least every six months. If parts are broken, missing, damaged, or worn, stop use of the product until repairs are made by your dealer using factory authorized parts.

ADVERTENCIAS Y RENUNCIAS

Previo a comenzar el proceso de ensamblaje favor de revisar las instrucciones y asegurarse que cuenta con todas las partes y materiales necesarios. Es posible que los muebles grandes o pesados, requieran mas de una persona para ensamblarlos correctamente. Por favor contacte al fabricante directamente si tiene alguna duda o pregunta antes de continuar con el proceso de armado del producto. La garantía no cubrirá daños que ocurrieron por errores cometidos durante el proceso de ensamblaje. Todos los tornillos deben estar ajustados previo el uso del producto. Debe revisar los tornillos periódicamente, por lo menos cada seis meses y asegurarse de que estén bien ajustados. Por favor detenga el uso del producto si partes del producto se pierden, rompen, se deterioran por uso o se rompen. Favor de contactar a su distribuidor para que le envíen las partes necesarias o realice las reparaciones necesarias con partes autorizadas por el fabricante.

AVERTISSEMENTS

Avant de commencer l'assemblage veuillez consulter les instructions complètes et vérifier si vous avez toutes les pièces nécessaires. Il est possible que plusieurs personnes soient nécessaires pour assemble des meubles grand ou lourds. En cas de doute sur l'assemblage contactez le fabricant avant de continuer. Les dommages encourus pendant l'assemblage ne seront pas couvert par la garantie. Ne pas utiliser le produit sans vérifier que tous les vis soient serrées. Vérifiez que les vis sont serrées au moins tous les 6 mois. Si aucune pièce se casse, manque, est endommagée ou usée, arrêtez d'utiliser de produit jusqu'à ce que le vendeur le repaire a l'aide de pièces autorisées par la fabricant.

WARRANTY

For full product warranty details, please visit:

Para obtener información sobre la garantía del producto, consulte este sitio (ingles):

Pour plus d'informations sur la garantie du produit, consultez ce site (anglais):

<https://moorecoinc.com/warranty>

CARE & MAINTENANCE

For questions on assembly or missing/damaged parts, please contact us using the following information.

Para preguntas sobre el ensamblaje o piezas faltantes o dañadas, por favor contáctenos usando la siguiente información.

Pour toute question sur le montage l'assemblage manquantes ou endommagées, veuillez nous contacter en utilisant les l'information ci-dessous.

Email:

support@moorecoinc.com

Phone:

1-800-749-2258

(Monday – Friday, 8am – 5pm
Central Time)

NEED HELP?

For assistance, contact us by filling out the “Contact Us” form on our website. Select “Installation Assembly Help,” and we will respond directly.

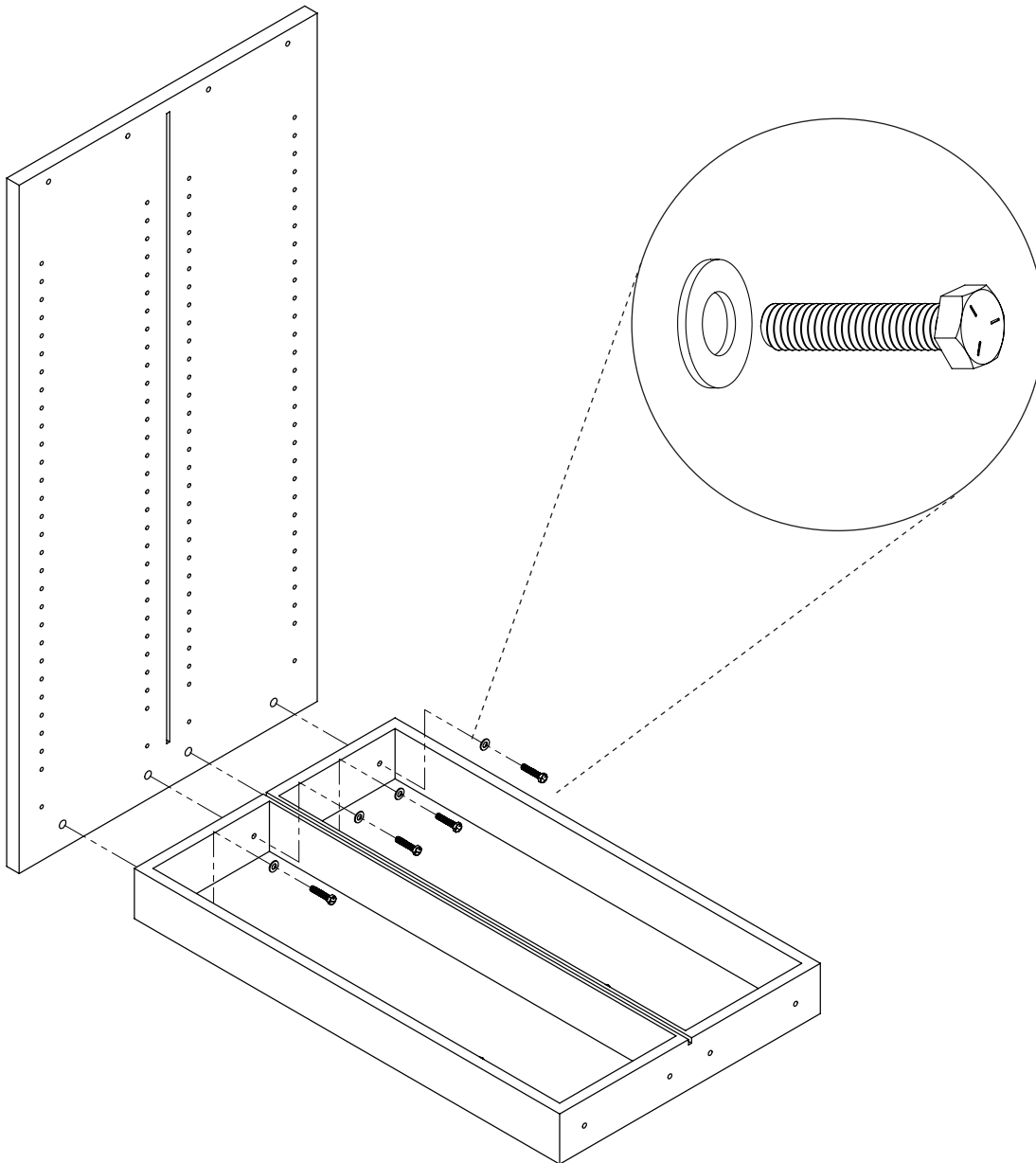
www.moorecoinc.com/contact-us/



MOORECO™

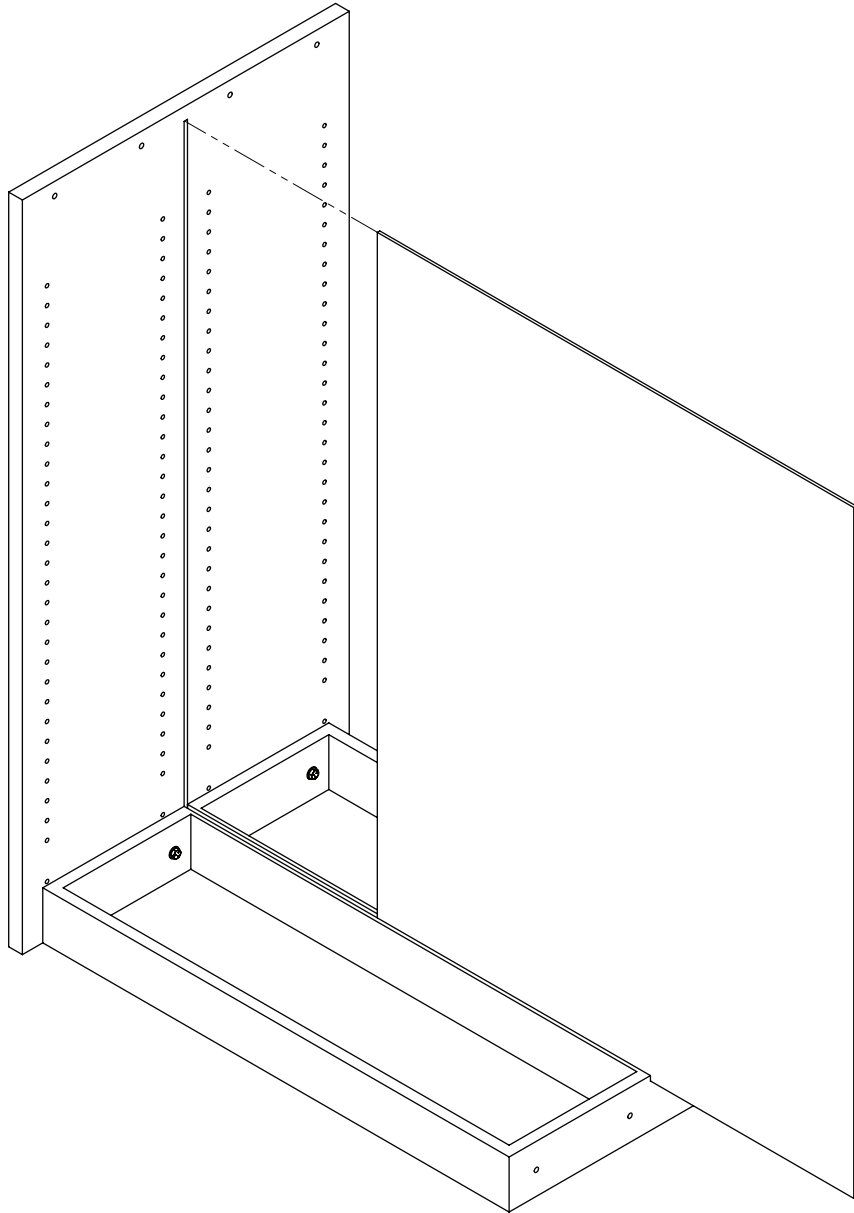
STEP 1

Place base frame onto floor and attach end panel using 5/16-18 X 1-1/2" bolts and washers.



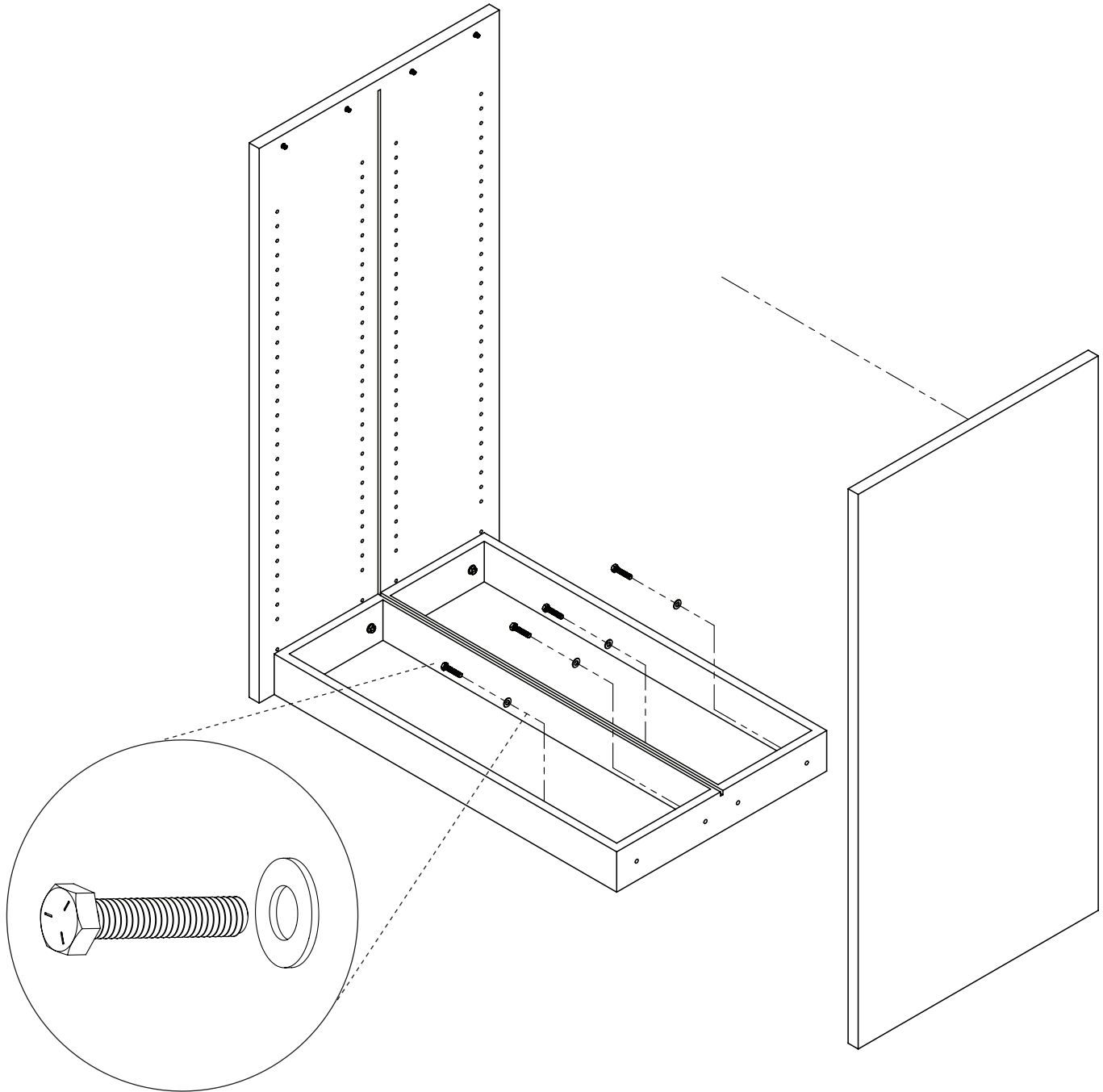
STEP 2

Slide back panel into groove on base frame and starter panel.



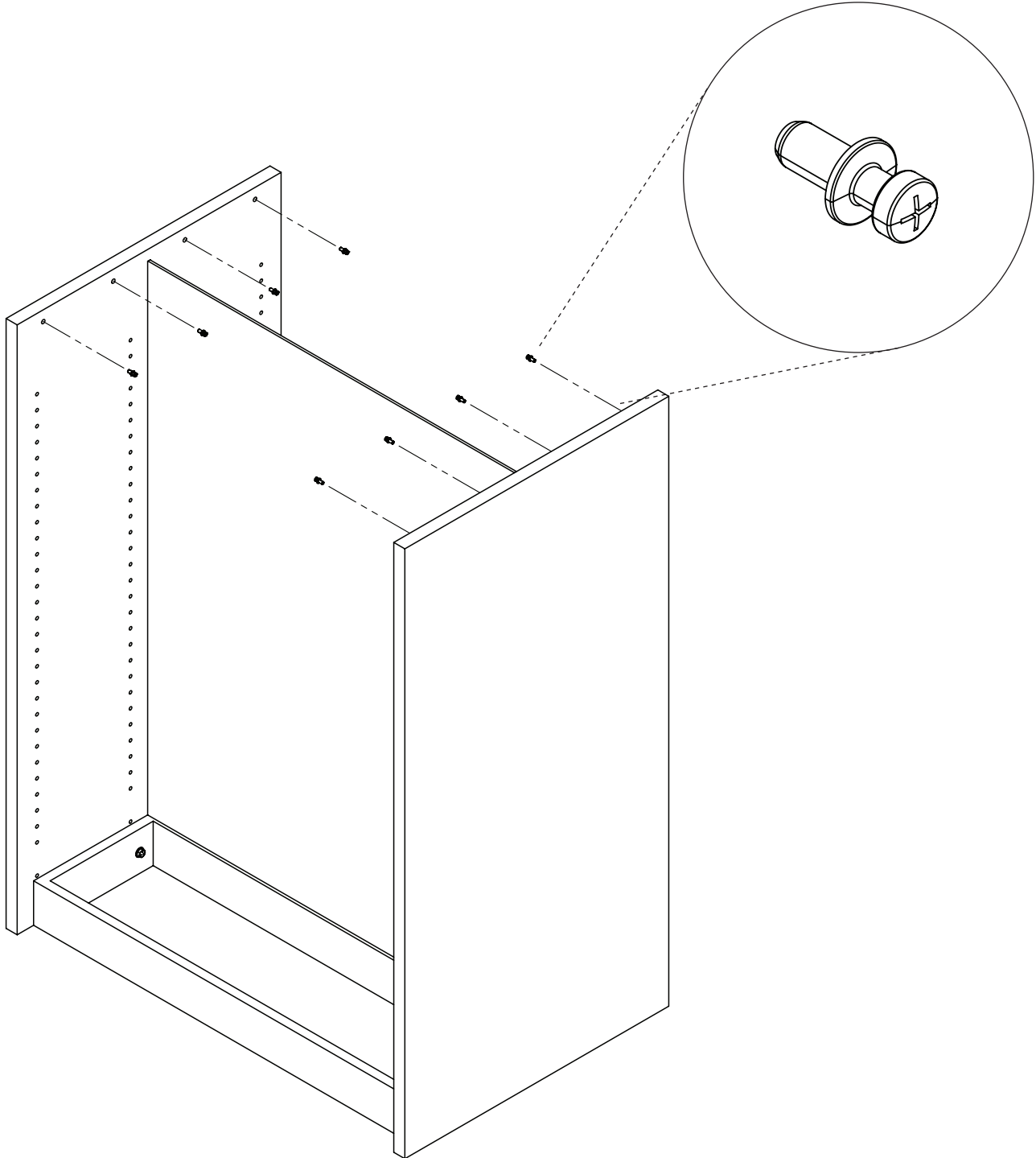
STEP 3

Secure end panel to base frame using 5/16-18 X 1-1/2" bolts and washers.



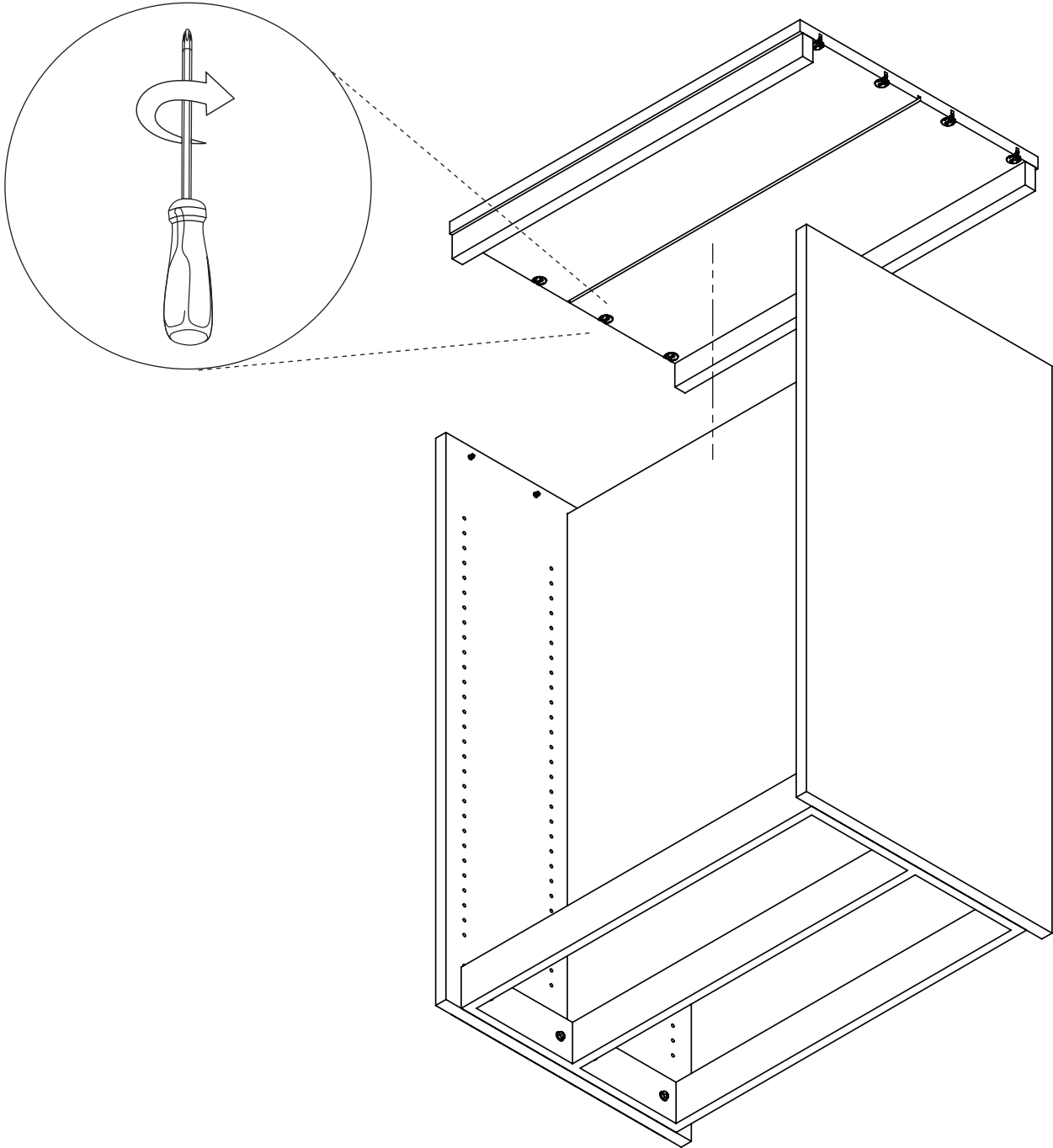
STEP 4

Screw in rafx pins to threaded inserts at the top of the starter, adder, and end panels.



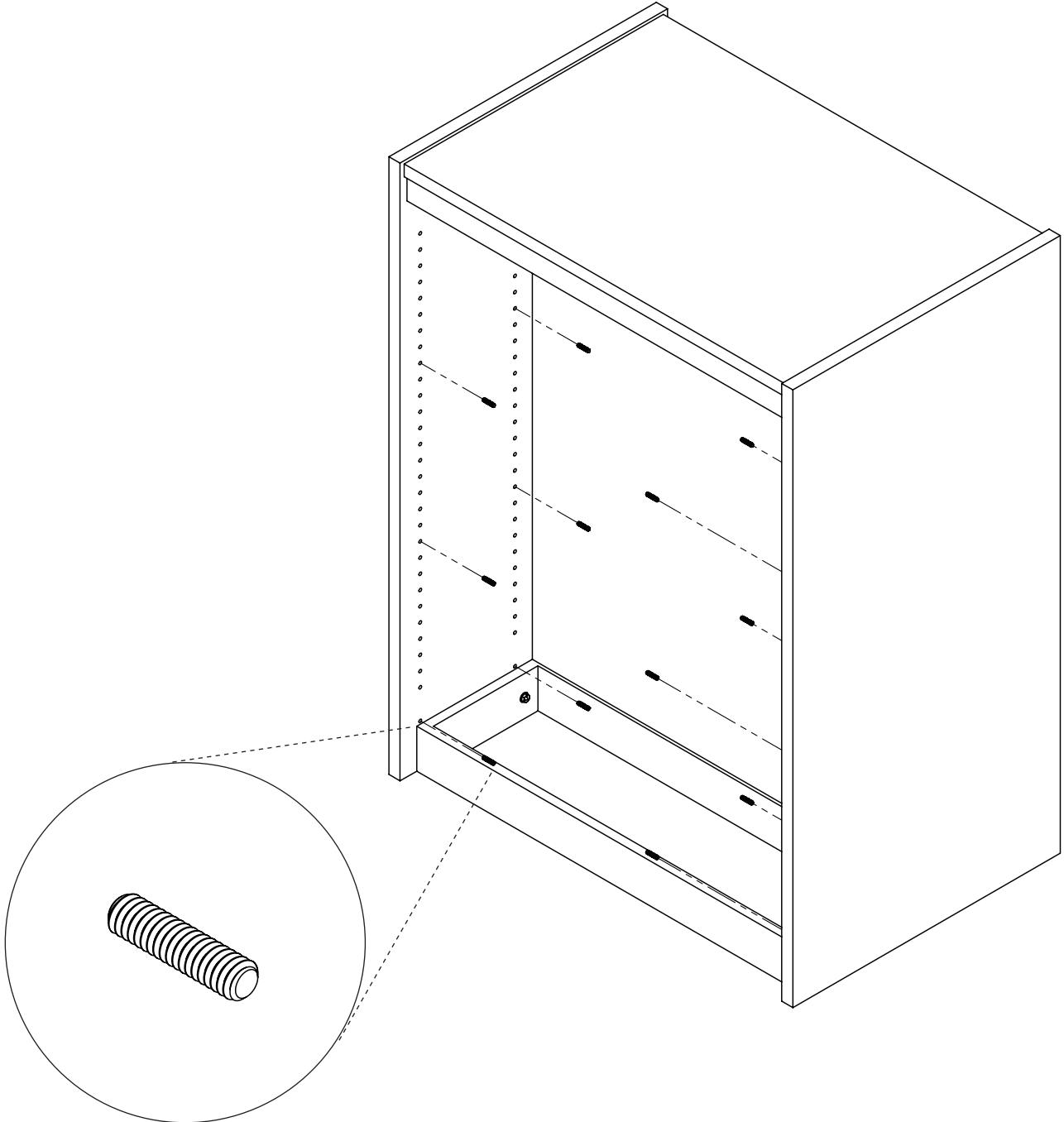
STEP 5

Place top assemblies onto rafx pins. Using the screwdriver, secure the tops by hand tightening the rafx locks located on the underside of the top assemblies.



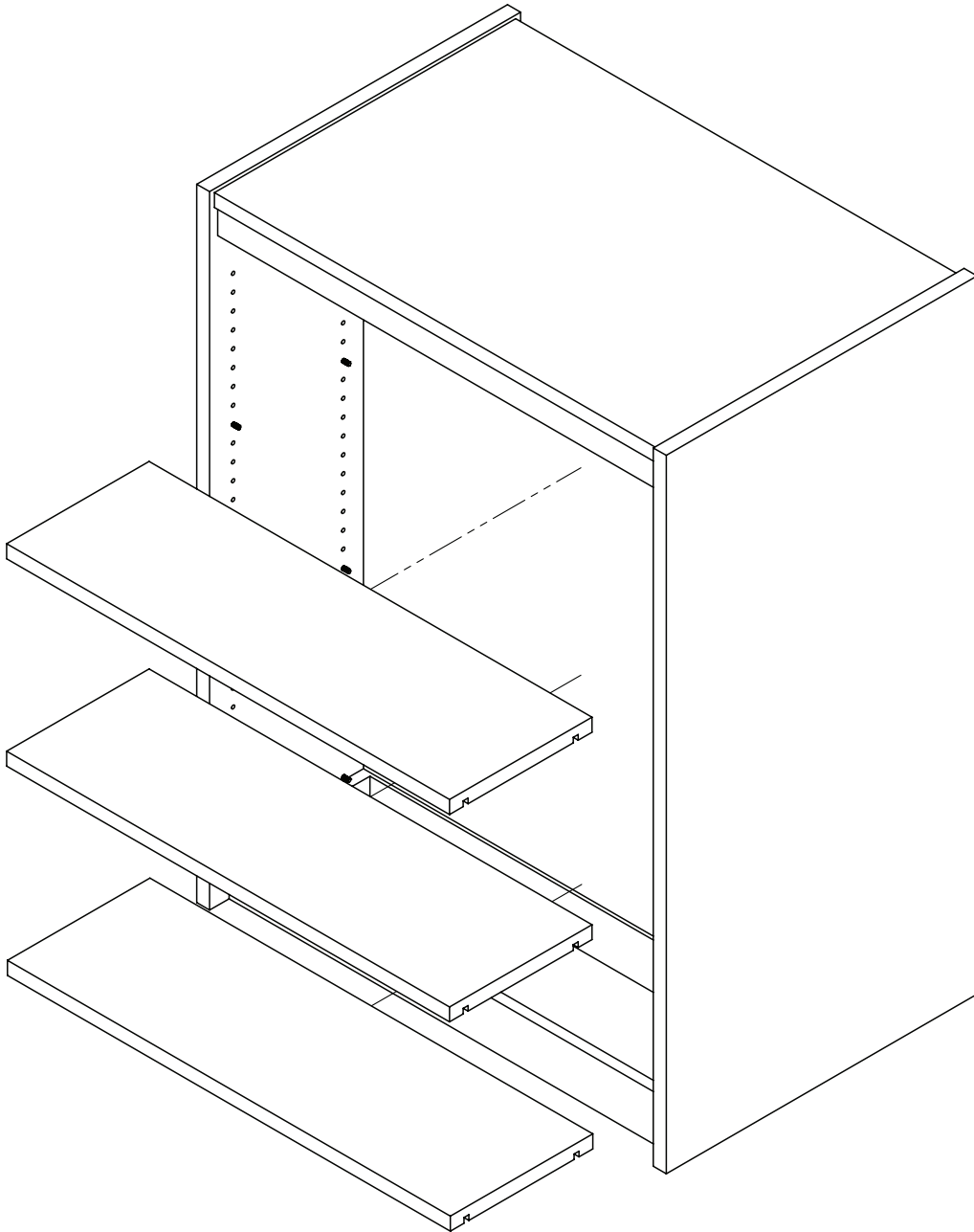
STEP 6

Place adjustable shelf pins in the desired locations.



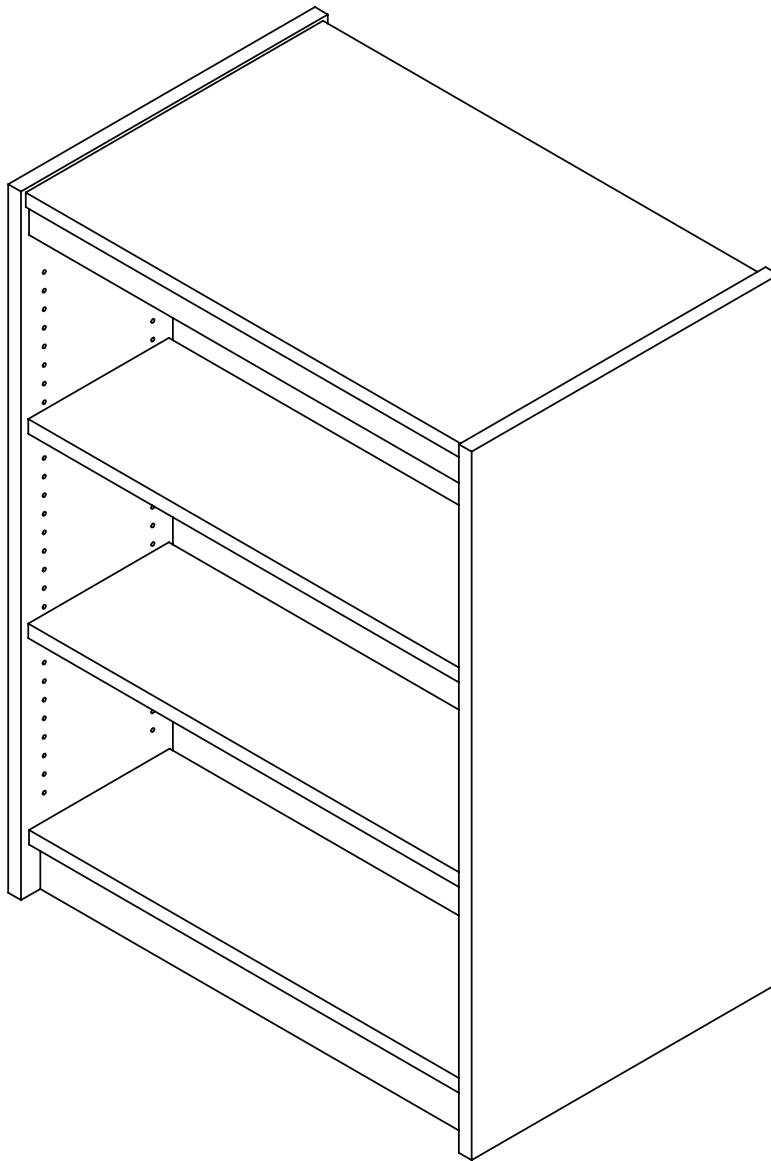
STEP 7

Place shelves onto shelf pins.



DONE

Stand alone unit is complete.



THIS COMPLETES ASSEMBLY INSTRUCTIONS.