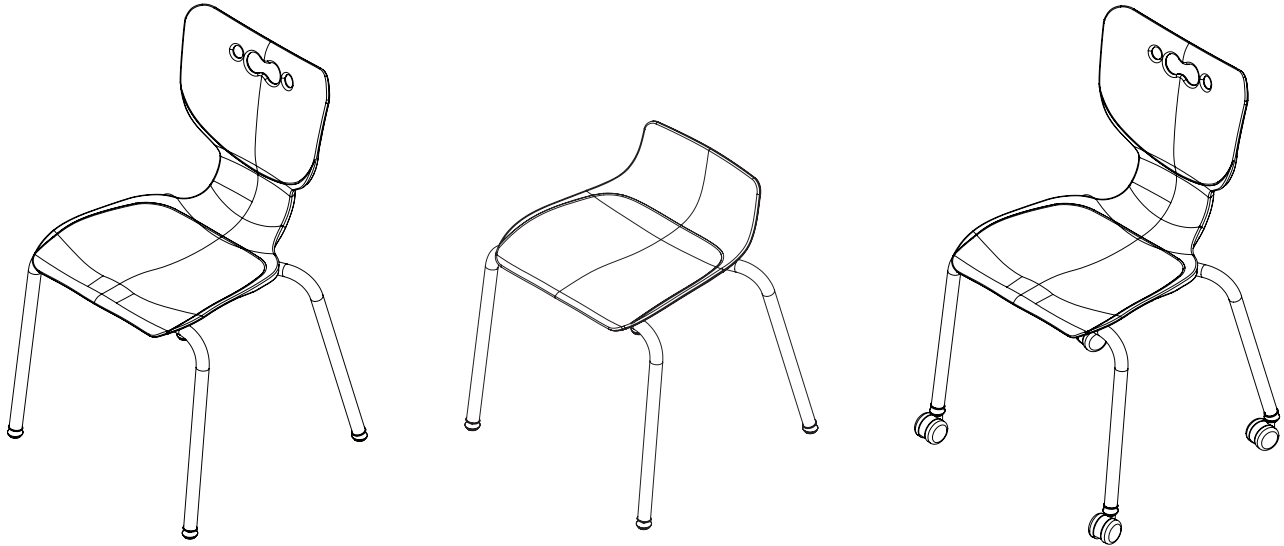


## Hierarchy 4-Leg Chair & Hierarchy 4-Leg Caster Chair

Part Number(s): 53310-X-XXXX-XX-XX, 53312-X-XXXX-XX-XX, 53314-X-XXXX-XX-XX, 53316-X-XXXX-XX-XX, 53318-X-XXXX-XX-XX, 54318-X-XXXX-XX-XX, 35400-X-XXXX-XX-XX, 35401-X-XXXX-XX-XX



### OVERVIEW:

Hierarchy Seating is available in four-leg glide, four-leg caster, four-leg stool, cantilever, rocker, 5-star chair, and 5-star stool models. Four-leg glide models are available in 10", 12", 14", 16", and 18" seat heights. Four-leg caster models are available in 18" seat heights. Low back shell is available on 16" and 18" four-leg glide models.

### SHELL SPECIFICATIONS:

Seat is designed as a single-piece structurally engineered injection-molded shell of reinforced polypropylene. Large shell includes a carrying handle in the back. All shells are offered in eight standard colors. Visit [moorecoinc.com](http://moorecoinc.com) to see all possible chair shell colors.

### FRAME SPECIFICATIONS:

4-leg glide and caster frames are constructed of 1" diameter 16-gauge tubular steel front and rear legs, fully welded to two support brackets. The frame support brackets attach to the plastic seat shell using four 3/16" steel pop rivets. Glided frame is available in chrome or platinum finish. Castered frame is available in platinum finish only.

### CASTER / GLIDE SPECIFICATIONS:

Steel swivel glides. Standard in white nylon. Casters are black finish and come standard in hard or soft options.

### OPTIONS / ACCESSORIES:

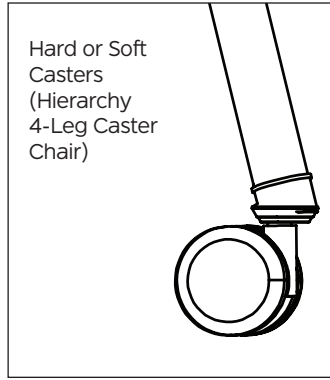
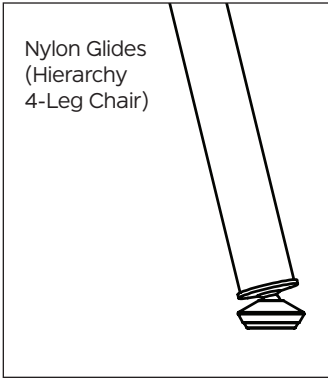
Caster option available in 18" heights. Hierarchy Felt Glide Caps are also available for the nylon glides.

### COMPLIANCE:

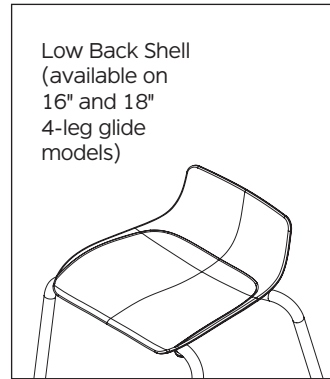
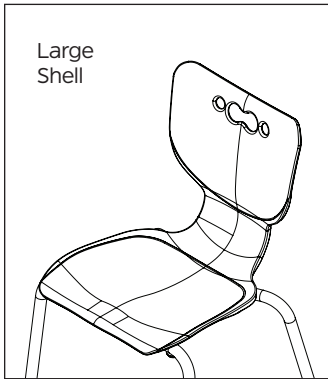
Meets or exceeds ANSI/BIFMA X6.1-2012



## LEG TYPES:

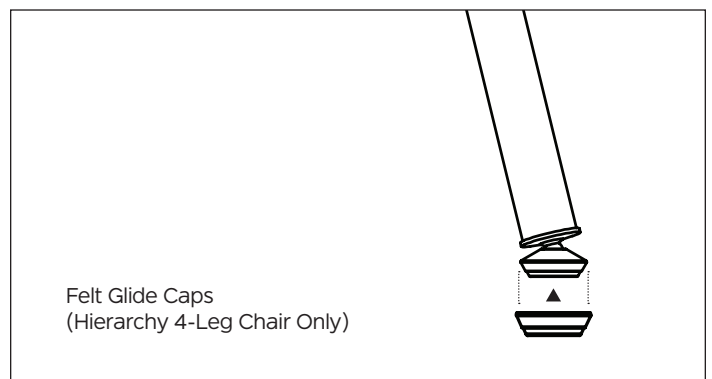
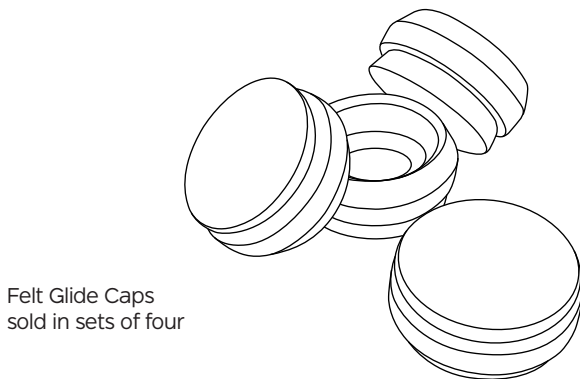


## SHELL TYPES:

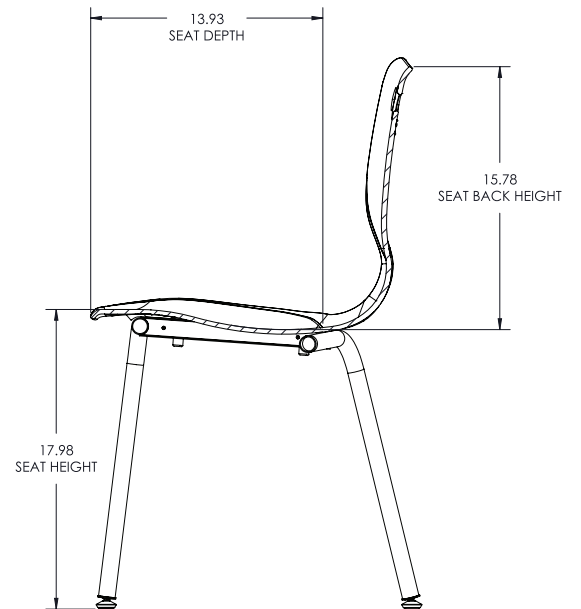
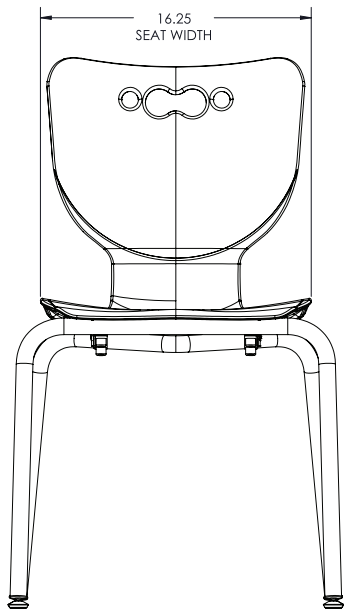
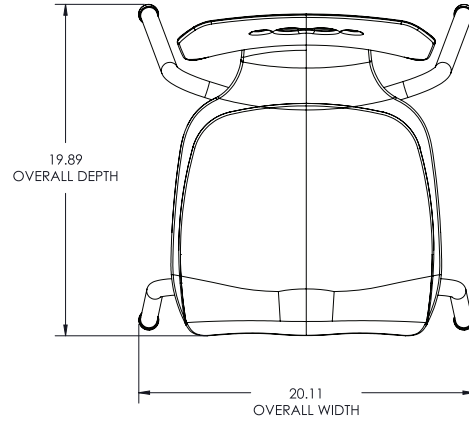
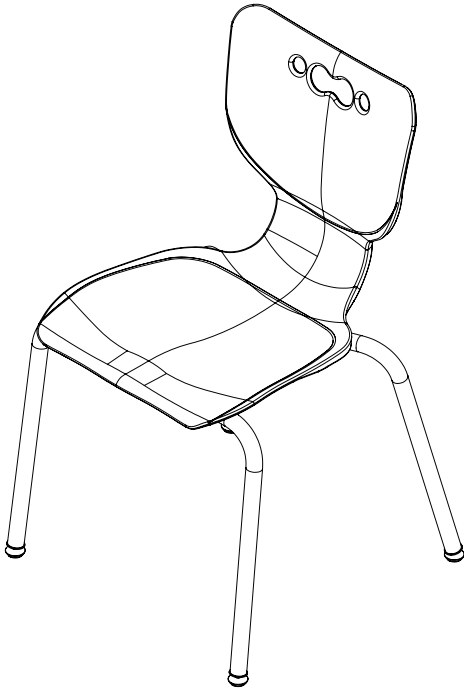


## OPTIONS / ACCESSORIES

### HIERARCHY FELT GLIDE CAPS:

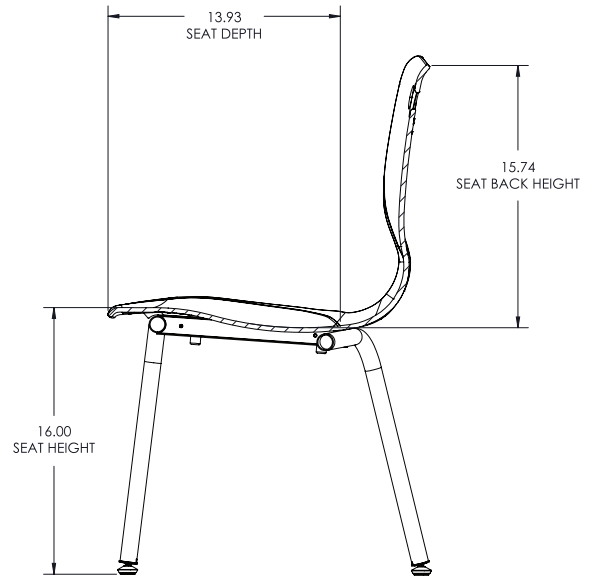
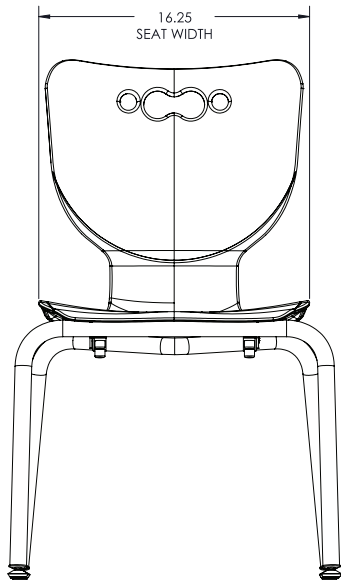
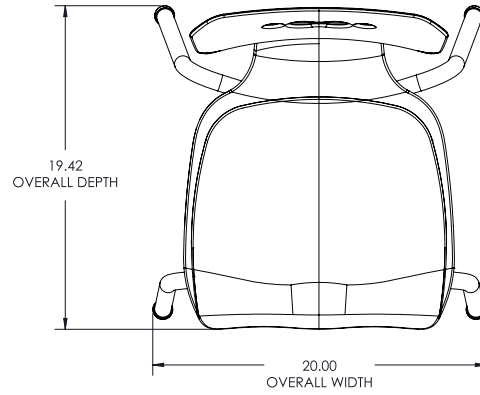
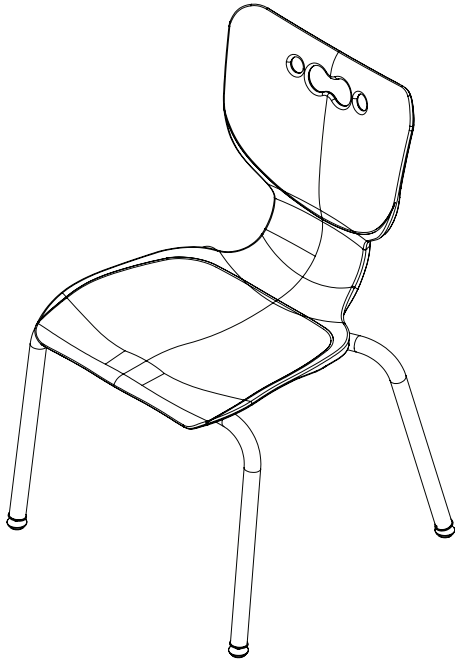


**DIMENSIONS - HIERARCHY 4-LEG CHAIR 18" :**



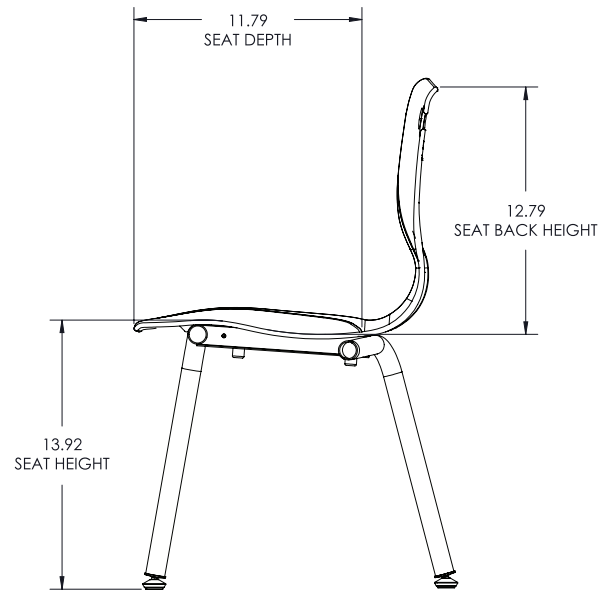
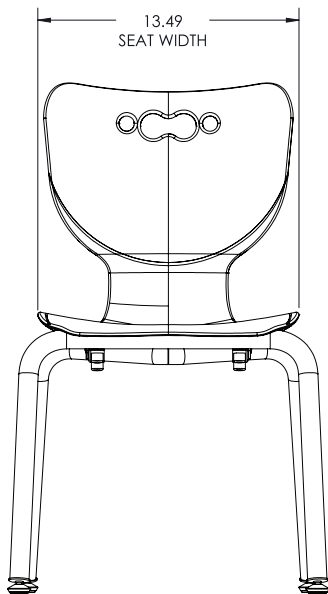
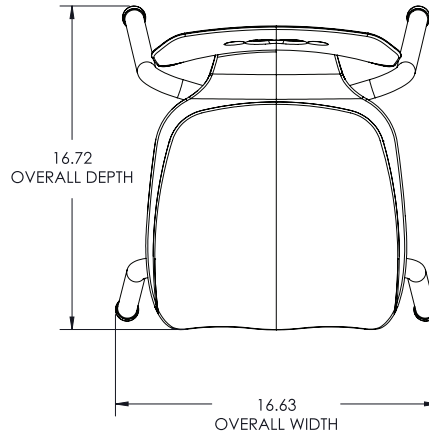
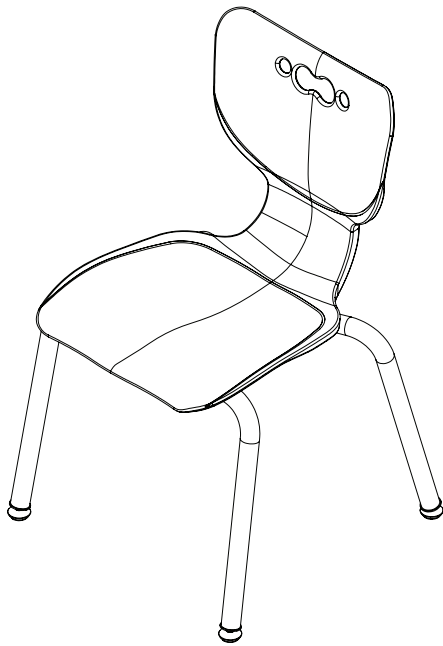
BASE MODEL NO.	Overall Width	Overall Depth	Seat Width	Seat Height	Seat Depth	Seat Back Height
53318-X-XX-XX-XX	20.1"	19.9"	16.3"	18.0"	13.9"	15.8"

**DIMENSIONS - HIERARCHY 4-LEG CHAIR 16" :**



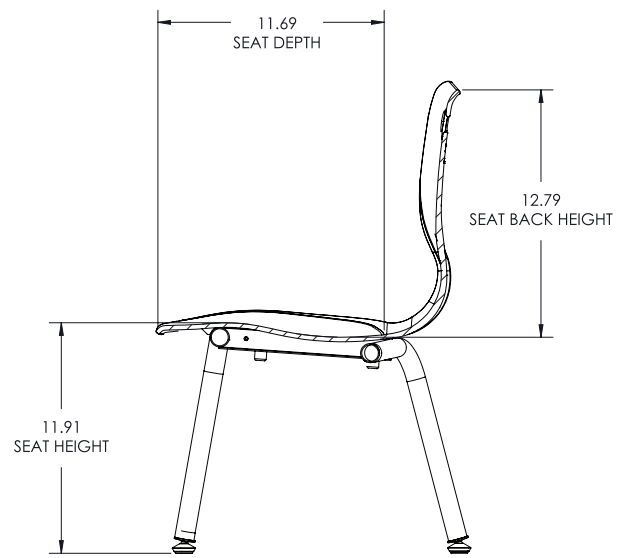
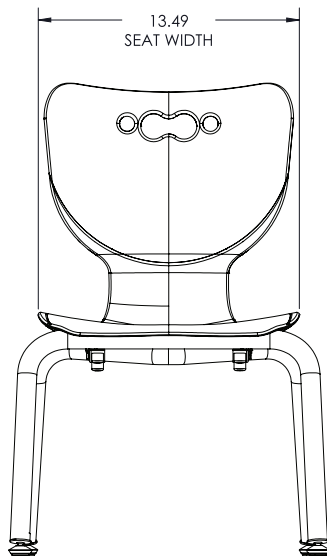
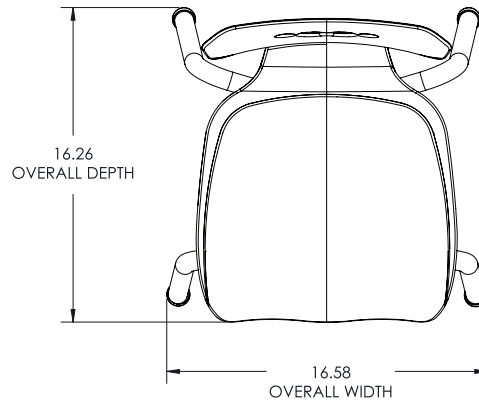
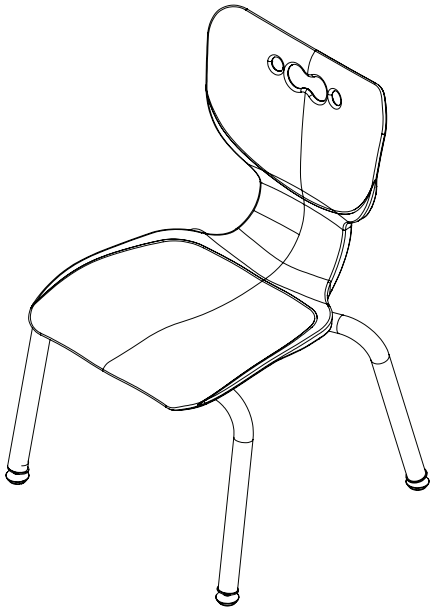
BASE MODEL NO.	Overall Width	Overall Depth	Seat Width	Seat Height	Seat Depth	Seat Back Height
53316-X-XXX-XX-XX	20.0"	19.4"	16.3"	16.0"	13.9"	15.7"

**DIMENSIONS - HIERARCHY 4-LEG CHAIR 14" :**



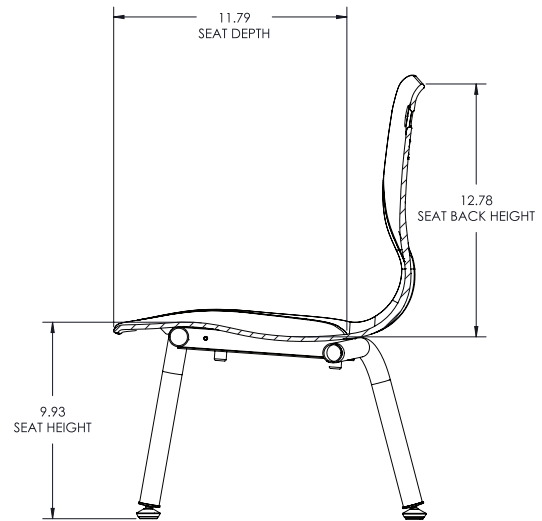
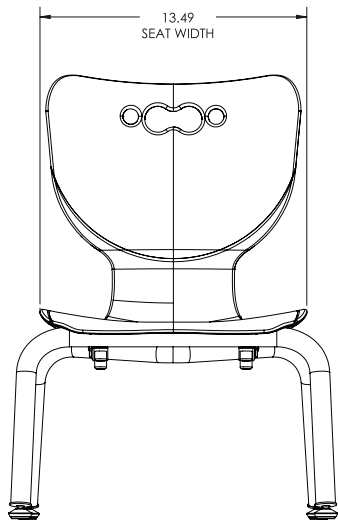
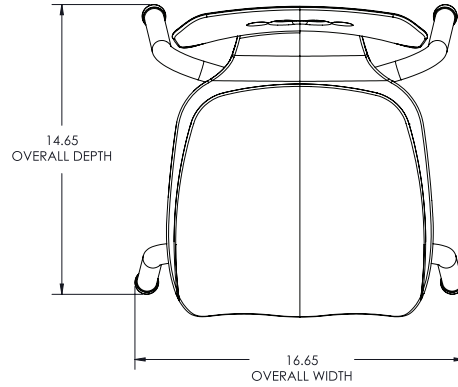
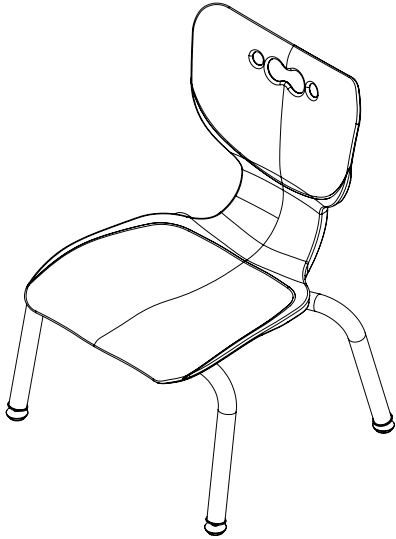
BASE MODEL NO.	Overall Width	Overall Depth	Seat Width	Seat Height	Seat Depth	Seat Back Height
53314-X-XXX-XX-XX	16.6"	16.7"	13.5"	13.9"	11.8"	12.8"

**DIMENSIONS - HIERARCHY 4-LEG CHAIR 12" :**



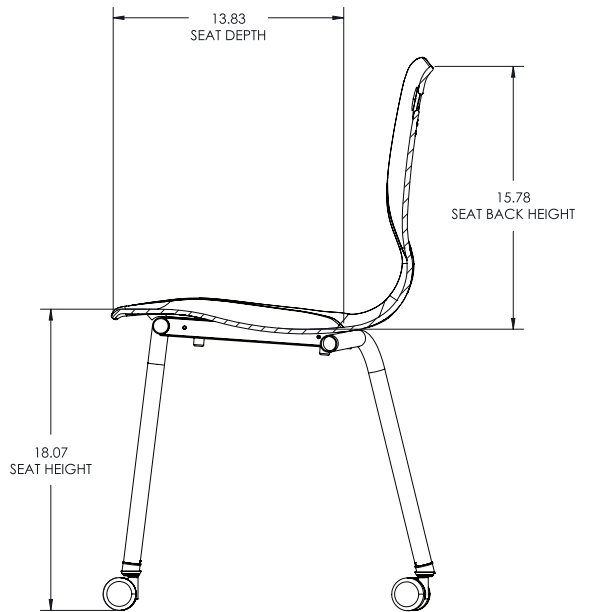
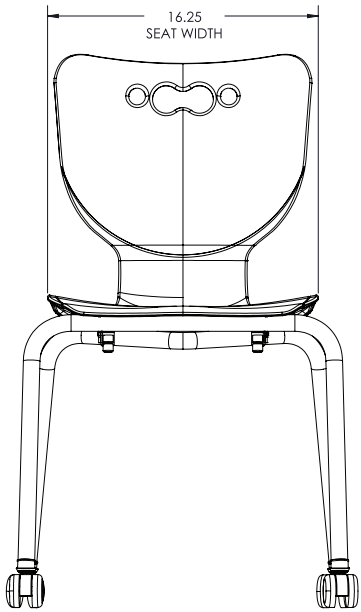
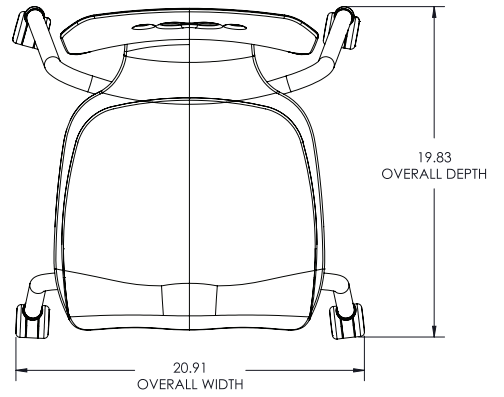
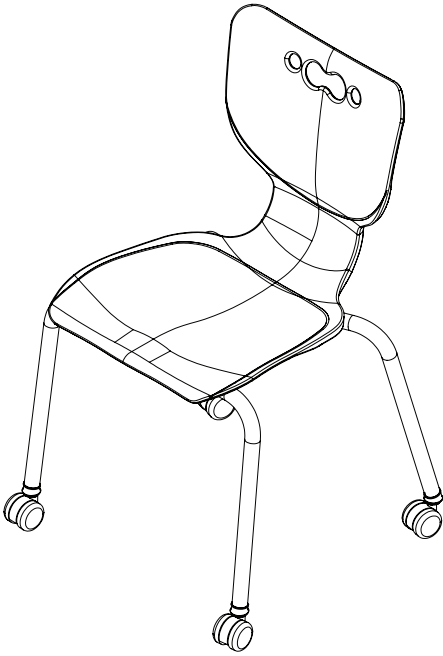
BASE MODEL NO.	Overall Width	Overall Depth	Seat Width	Seat Height	Seat Depth	Seat Back Height
53312-X-XXX-XX-XX	16.6"	16.3"	13.5"	11.9"	11.7"	12.8"

**DIMENSIONS - HIERARCHY 4-LEG CHAIR 10" :**



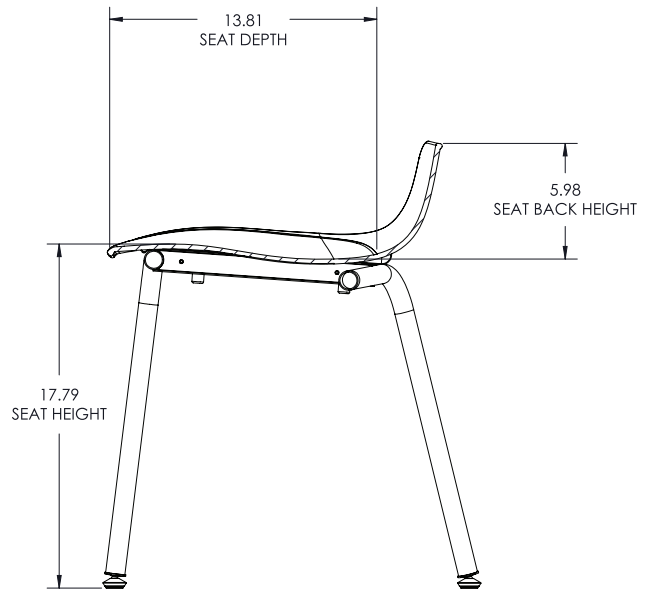
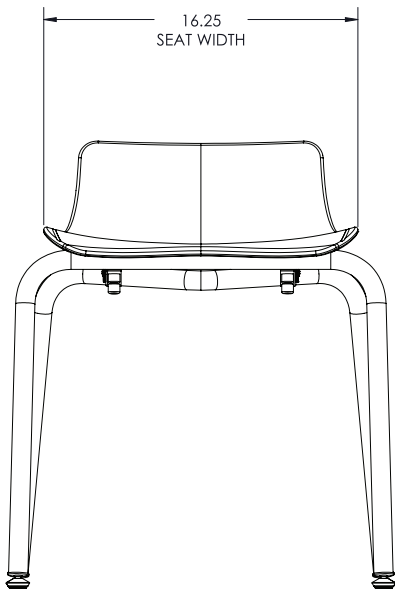
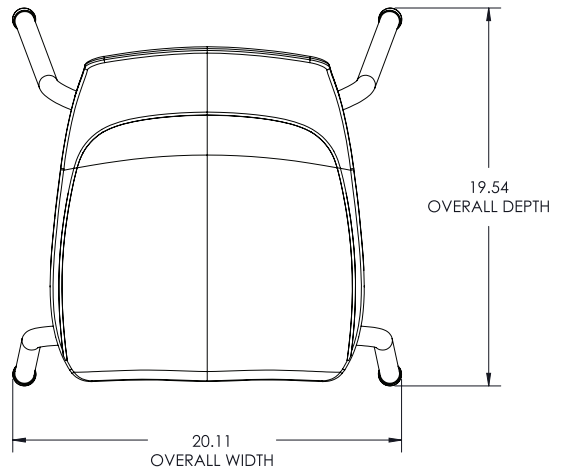
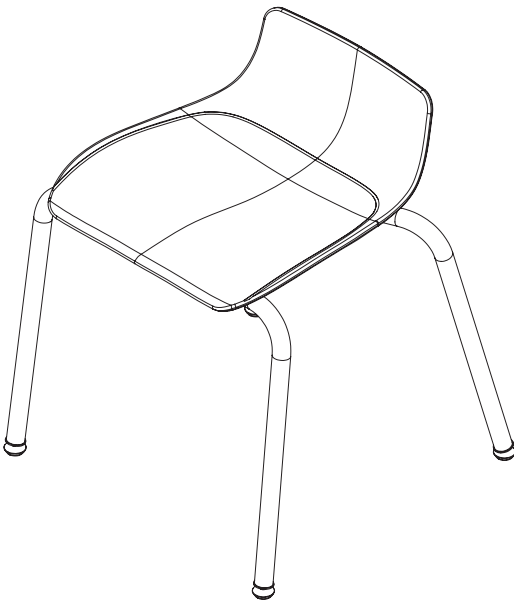
BASE MODEL NO.	Overall Width	Overall Depth	Seat Width	Seat Height	Seat Depth	Seat Back Height
53310-X-XXX-XX-XX	16.7"	14.7"	13.5"	9.9"	11.8"	12.8"

**DIMENSIONS - HIERARCHY 4-LEG CASTER CHAIR 18" :**



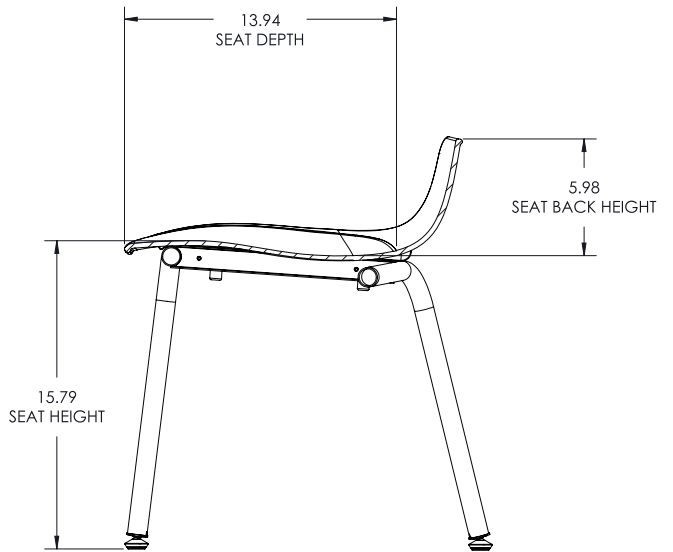
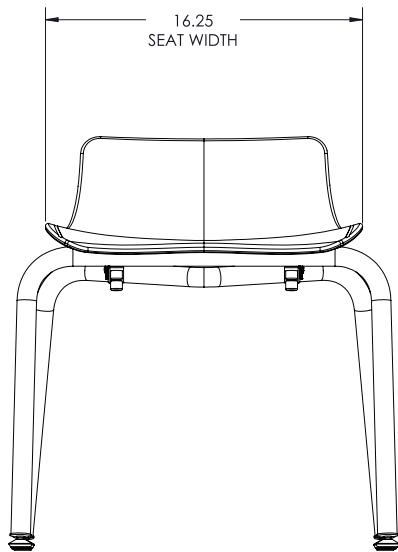
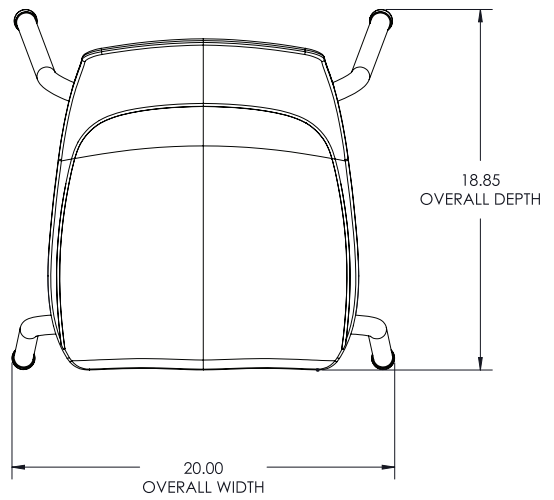
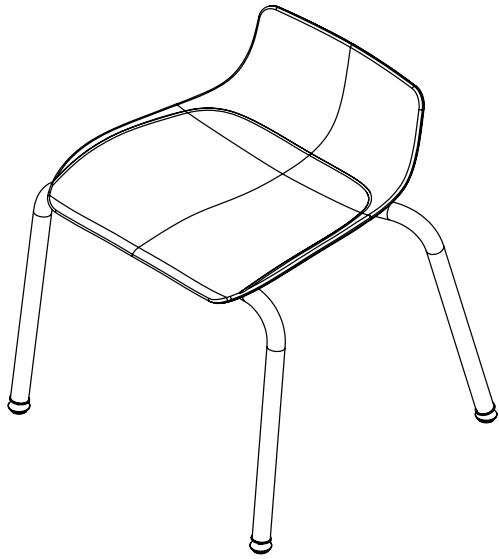
BASE MODEL NO.	Overall Width	Overall Depth	Seat Width	Seat Height	Seat Depth	Seat Back Height
54318-X-XXX-XX-XX	20.9"	19.8"	16.3"	18.1"	13.8"	15.8"

**DIMENSIONS - HIERARCHY 4-LEG LOW BACK CHAIR 18" :**



BASE MODEL NO.	Overall Width	Overall Depth	Seat Width	Seat Height	Seat Depth	Seat Back Height
35401-X-XXX-XX-XX	20.1"	19.5"	16.3"	17.8"	13.8"	6.0"

**DIMENSIONS - HIERARCHY 4-LEG LOW BACK CHAIR 16" :**



BASE MODEL NO.	Overall Width	Overall Depth	Seat Width	Seat Height	Seat Depth	Seat Back Height
35400-X-XXX-XX-XX	20.0"	18.9"	16.3"	15.8"	13.9"	6.0"