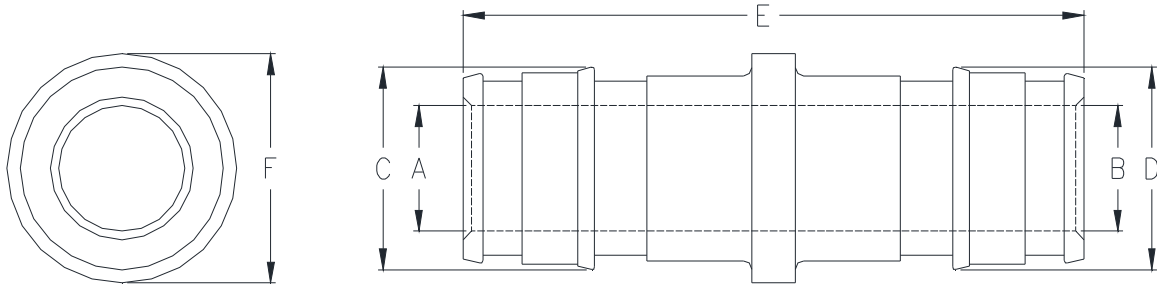


**QEC_GX****XL BRASS F1960 EXPANSION PEX COUPLING****SPECIFICATION SHEET**

TAG _____

Dimensional Data (inches and [mm]) are Subject to Manufacturing Tolerances and Change Without Notice



Part Number	XL Brass F1960 Expansion PEX Coupling Size	Dimensions in Inches [mm]					
		A	B	C	D	E	F
QEC22GX	3/8" EX PEX x 3/8" EX PEX	0.26 [7]	0.26 [7]	0.48 [12]	0.48 [12]	1.43 [36]	0.59 [15]
QEC32GX	1/2" EX PEX x 3/8" EX PEX	0.38 [10]	0.26 [7]	0.61 [16]	0.48 [12]	1.49 [38]	0.69 [18]
QEC33GX	1/2" EX PEX x 1/2" EX PEX	0.38 [10]	0.38 [10]	0.61 [16]	0.61 [16]	1.55 [39]	0.69 [18]
QEC43GX	3/4" EX PEX x 1/2" EX PEX	0.60 [15]	0.38 [10]	0.87 [22]	0.61 [16]	1.78 [45]	0.95 [24]
QEC44GX	3/4" EX PEX x 3/4" EX PEX	0.60 [15]	0.60 [15]	0.87 [22]	0.87 [22]	2.02 [51]	0.95 [24]
QEC54GX	1" EX PEX x 3/4" EX PEX	0.80 [20]	0.60 [15]	1.11 [28]	0.87 [22]	2.24 [57]	1.18 [30]
QEC55GX	1" EX PEX x 1" EX PEX	0.80 [20]	0.80 [20]	1.11 [28]	1.11 [28]	2.49 [63]	1.18 [30]
QEC64GX	1-1/4" EX PEX x 3/4" EX PEX	0.96 [24]	0.60 [15]	1.36 [34]	0.87 [22]	2.52 [64]	1.46 [37]
QEC65GX	1-1/4" EX PEX x 1" EX PEX	0.96 [24]	0.80 [20]	1.36 [34]	1.11 [28]	2.76 [70]	1.46 [37]
QEC66GX	1-1/4" EX PEX x 1-1/4" EX PEX	0.96 [24]	0.96 [24]	1.36 [34]	1.36 [34]	3.02 [77]	1.46 [37]
QEC74GX	1-1/2" EX PEX x 3/4" EX PEX	1.08 [28]	0.60 [15]	1.49 [38]	0.87 [22]	2.78 [71]	1.61 [41]
QEC75GX	1-1/2" EX PEX x 1" EX PEX	1.08 [28]	0.80 [20]	1.49 [38]	1.11 [28]	3.02 [77]	1.61 [41]
QEC76GX	1-1/2" EX PEX x 1-1/4" EX PEX	1.08 [28]	0.96 [24]	1.49 [38]	1.23 [31]	3.28 [83]	1.61 [41]
QEC77GX	1-1/2" EX PEX x 1-1/2" EX PEX	1.08 [28]	1.08 [28]	1.49 [38]	1.49 [38]	3.54 [90]	1.61 [41]
QEC85GX	2" EX PEX x 1" EX PEX	1.55 [39]	0.80 [20]	2.08 [53]	1.11 [28]	3.46 [88]	2.28 [58]
QEC86GX	2" EX PEX x 1-1/4" EX PEX	1.55 [39]	0.96 [24]	2.08 [53]	1.36 [34]	3.72 [94]	2.28 [58]
QEC87GX	2" EX PEX x 1-1/2" EX PEX	1.55 [39]	1.08 [28]	2.08 [53]	1.49 [38]	3.98 [101]	2.28 [58]
QEC88GX	2" EX PEX x 2" EX PEX	1.55 [39]	1.55 [39]	2.08 [53]	2.08 [53]	4.42 [112]	2.28 [58]

Engineering Specification: Zurn PEX® XL-Low Lead Brass F1960 Expansion PEX Coupling

The QEC_GX is used with Zurn Non-Barrier Pex tubing in potable water applications. Not for use in reverse osmosis systems or in areas with known localized aggressive water chemistries. Manufactured from EcoBrass®, C69300. These fittings, as a system with Zurn PEX® tube and Zurn PEX reinforcing rings are pressure rated at 160 PSI at 73°F, 100 PSI at 180°F, and 80 PSI at 200°F. These fittings are 3rd Party certified as complying with the following standards: NSF/ANSI Standard 61, NSF/ANSI Standard 372 (Low Lead), ASTM F1960, CSA B137.5

Accessories

___	QER3X	1/2" PEX Expansion Reinforcing Ring w/Stop
___	QER4X	3/4" PEX Expansion Reinforcing Ring w/Stop
___	QER5X	1" PEX Expansion Reinforcing Ring w/Stop
___	QER6X	1-1/4" PEX Expansion Reinforcing Ring w/Stop
___	QER7X	1-1/2" PEX Expansion Reinforcing Ring w/Stop
___	QER8X	2" PEX Expansion Reinforcing Ring w/Stop
___	QEMT345	F1960 Manual Expansion Tool Kit - 1/2" to 1"



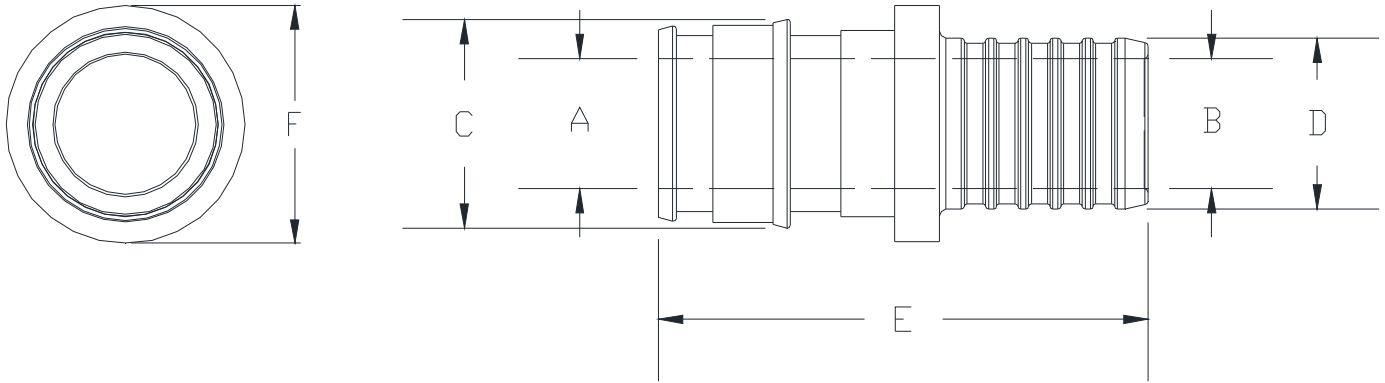
QEC_CGXNPK1

XL BRASS F1960 EXPANSION PEX TO CRIMP POLYBUTYLENE COUPLING

SPECIFICATION SHEET

TAG _____

Dimensional Data (inches and [mm]) are Subject to Manufacturing Tolerances and Change Without Notice



Part Number	XL Brass Expansion Coupling EX PEX x Crimp Polybutylene Size	Dimensions in Inches [mm]					
		A	B	C	D	E	F
QEC33CGXNPK1	1/2" EX PEX x 1/2" Polybutylene	0.38 [10]	0.37 [10]	0.61 [16]	0.50 [13]	1.43 [36]	0.69 [18]
QEC44CGXNPK1	3/4" EX PEX x 3/4" Polybutylene	0.60 [15]	0.59 [15]	0.87 [22]	0.72 [18]	1.67 [42]	0.95 [24]

Includes appropriate size crimp and expansion ring

Engineering Specification: Zurn PEX® XL-Low Lead Brass F1960 Expansion PEX to Crimp Polybutylene Coupling
 The QEC__CGXNPK1 is used with Zurn Non-Barrier Pex tubing in potable water applications. Not for use in reverse osmosis systems or in areas with known localized aggressive water chemistries. Manufactured from EcoBrass®, C69300. These fittings, as a system with Zurn PEX® tube and Zurn PEX reinforcing rings are pressure rated at 160 PSI at 73°F, 100 PSI at 180°F, and 80 PSI at 200°F. These fittings are 3rd Party certified as complying with the following standards: NSF/ANSI Standard 61, NSF/ANSI Standard 372 (Low Lead), ASTM F1960, CSA B137.5

Accessories

___ QEMT345 F1960 Manual Expansion Tool Kit - 1/2" to 1"

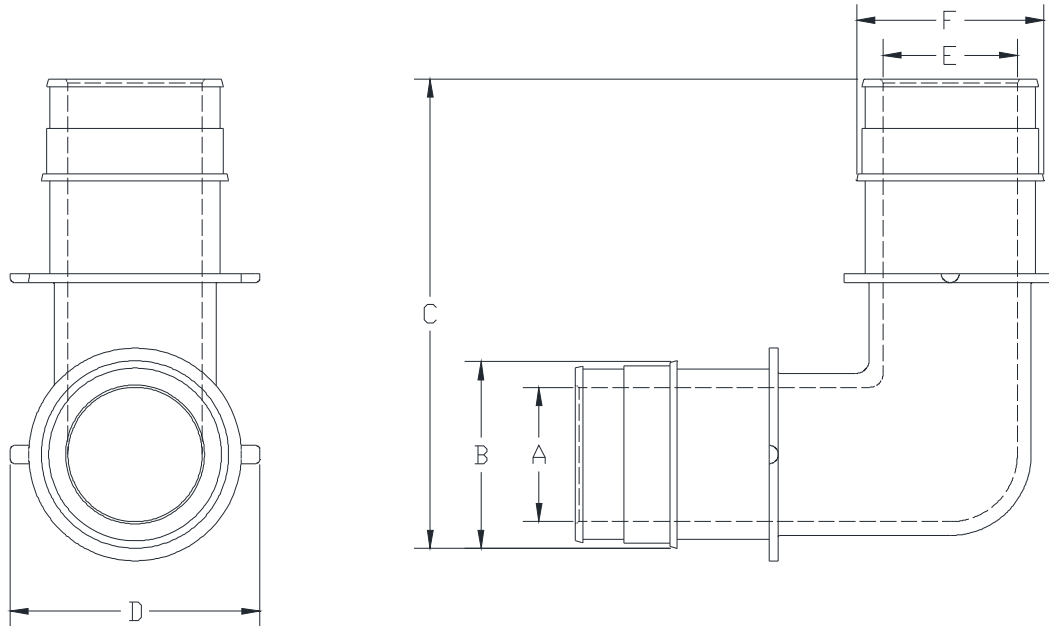
**QEE_GX**

XL BRASS F1960 EXPANSION PEX ELBOW

SPECIFICATION SHEET

TAG _____

Dimensional Data (inches and [mm]) are Subject to Manufacturing Tolerances and Change Without Notice



Part Number	XL Brass F1960 Expansion PEX Elbow Size	Dimensions in Inches [mm]					
		A	B	C	D	E	F
QEE33GX	1/2" EX PEX x 1/2" EX PEX	0.38 [10]	0.61 [16]	1.50 [38]	.77 [20]	0.38 [10]	0.61 [16]
QEE43GX	3/4" EX PEX x 1/2" EX PEX	0.60 [15]	0.87 [22]	1.75 [44]	1.02 [26]	0.38 [10]	0.61 [16]
QEE44GX	3/4" EX PEX x 3/4" EX PEX	0.60 [15]	0.87 [22]	2.00 [51]	1.02 [26]	0.60 [15]	0.87 [22]
QEE55GX	1" EX PEX x 1" EX PEX	0.80 [20]	1.11 [28]	2.39 [61]	1.36 [35]	0.80 [20]	1.11 [28]
QEE66GX	1-1/4" EX PEX x 1-1/4" EX PEX	0.96 [24]	1.36 [34]	2.94 [75]	1.58 [40]	0.96 [24]	1.36 [34]
QEE77GX	1-1/2" EX PEX x 1-1/2" EX PEX	1.08 [28]	1.49 [38]	3.42 [87]	1.81 [46]	1.08 [28]	1.49 [38]
QEE88GX	2" EX PEX x 2" EX PEX	1.55 [39]	2.08 [53]	4.63 [118]	2.56 [65]	1.55 [39]	2.08 [53]

Engineering Specification: Zurn PEX® XL-Low Lead Brass F1960 Expansion PEX Elbow

The QEE__GX is used with Zurn Non-Barrier Pex tubing in potable water applications. Not for use in reverse osmosis systems or in areas with known localized aggressive water chemistries. Manufactured from EcoBrass®, C69300. These fittings, as a system with Zurn PEX® tube and Zurn PEX reinforcing rings are pressure rated at 160 PSI at 73°F, 100 PSI at 180°F, and 80 PSI at 200°F. These fittings are 3rd Party certified as complying with the following standards: NSF/ANSI Standard 61, NSF/ANSI Standard 372 (Low Lead), ASTM F1960, CSA B137.5

Accessories

___	QER3X	1/2" PEX Expansion Reinforcing Ring w/Stop
___	QER4X	3/4" PEX Expansion Reinforcing Ring w/Stop
___	QER5X	1" PEX Expansion Reinforcing Ring w/Stop
___	QER6X	1-1/4" PEX Expansion Reinforcing Ring w/Stop
___	QER7X	1-1/2" PEX Expansion Reinforcing Ring w/Stop
___	QER8X	2" PEX Expansion Reinforcing Ring w/Stop
___	QEMT345	F1960 Manual Expansion Tool Kit - 1/2" to 1"



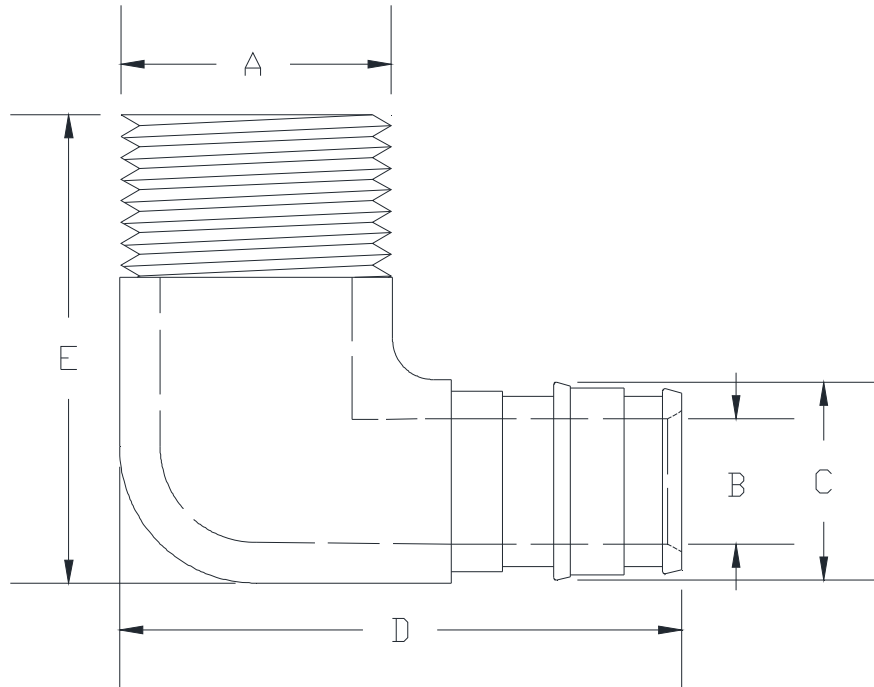
QEE_BTGX

XL BRASS F1960 EXPANSION PEX x MALE THREADED ELBOW

SPECIFICATION SHEET

TAG _____

Dimensional Data (inches and [mm]) are Subject to Manufacturing Tolerances and Change Without Notice



Part Number	XL Brass F1960 Expansion PEX x Male Threaded Elbow Size	Dimensions in In [mm]				
		A	B	C	D	E
QEE33BTGX	1/2" EX PEX x 1/2" MPT	1/2 NPT	0.38 [10]	0.61 [16]	1.66 [42]	1.41 [36]

Engineering Specification: Zurn PEX® XL-Low Lead Brass F1960 Expansion PEX x Male Threaded Elbow
 The QEE__BTGX is used with Zurn Non-Barrier Pex tubing in potable water applications. Not for use in reverse osmosis systems or in areas with known localized aggressive water chemistries. Manufactured from EcoBrass®, C69300. These fittings, as a system with Zurn PEX® tube and Zurn PEX reinforcing rings are pressure rated at 160 PSI at 73°F, 100 PSI at 180°F, and 80 PSI at 200°F. These fittings are 3rd Party certified as complying with the following standards: NSF/ANSI Standard 61, NSF/ANSI Standard 372 (Low Lead), ASTM F1960, CSA B137.5

Accessories

- ___ QER3X 1/2" PEX Expansion Reinforcing Ring w/Stop
- ___ QEMT345 F1960 Manual Expansion Tool Kit - 1/2" to 1"



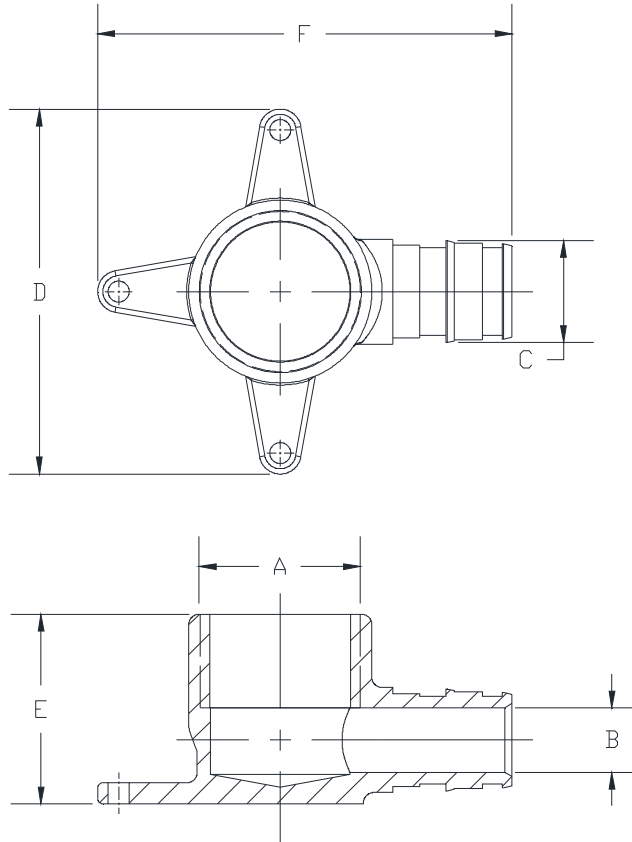
QEDE_BFGX

XL BRASS F1960 EXPANSION PEX x FPT DROP EAR ELBOW

SPECIFICATION SHEET

TAG _____

Dimensional Data (inches and [mm]) are Subject to Manufacturing Tolerances and Change Without Notice



Part Number	XL Brass F1960 Expansion PEX x FPT Drop Ear Elbow Size	Dimensions in In [mm]					
		A	B	C	D	E	F
QEDE33BFGX	1/2" EX PEX x 1/2" FPT	1/2 NPT	0.38 [10]	0.61 [16]	1.66 [42]	1.65 [42]	2.15 [55]
QEDE44BFGX	3/4" EX PEX x 3/4" FPT	3/4 NPT	0.60 [15]	0.87 [22]	2.05 [52]	1.69 [43]	2.39 [61]

Engineering Specification: Zurn PEX® XL-Low Lead Brass F1960 Expansion PEX x FPT Drop Ear Elbow

The QEDE__BFGX is used with Zurn Non-Barrier Pex tubing in potable water applications. Not for use in reverse osmosis systems or in areas with known localized aggressive water chemistries. Manufactured from EcoBrass®, C69300. These fittings, as a system with Zurn PEX® tube and Zurn PEX reinforcing rings are pressure rated at 160 PSI at 73°F, 100 PSI at 180°F, and 80 PSI at 200°F. These fittings are 3rd Party certified as complying with the following standards: NSF/ANSI Standard 61, NSF/ANSI Standard 372 (Low Lead), ASTM F1960, CSA B137.5

Accessories

- ___ QER3X 1/2" PEX Expansion Reinforcing Ring w/Stop
- ___ QER4X 3/4" PEX Expansion Reinforcing Ring w/Stop
- ___ QEMT345 F1960 Manual Expansion Tool Kit - 1/2" to 1"



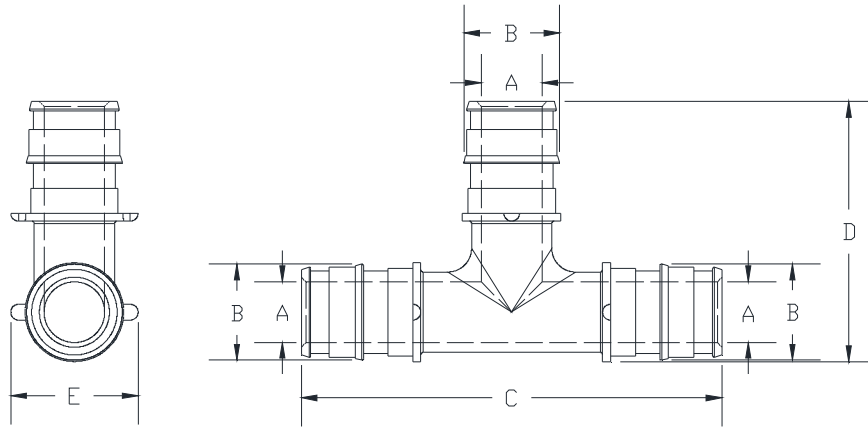
QET_GX

XL BRASS F1960 EXPANSION PEX TEE

SPECIFICATION SHEET

TAG _____

Dimensional Data (inches and [mm]) are Subject to Manufacturing Tolerances and Change Without Notice



Part Number	XL Brass Expansion Tee size (EX PEX x EX PEX x EX PEX)	C	D	E
		in [mm]	in [mm]	in [mm]
QET333GX	1/2" x 1/2" x 1/2"	2.25 [57]	1.61 [41]	0.77 [20]
QET334GX	1/2" x 1/2" x 3/4"	2.49 [63]	1.86 [47]	1.02 [26]
QET433GX	3/4" x 1/2" x 1/2"	2.33 [59]	1.89 [48]	1.02 [26]
QET434GX	3/4" x 1/2" x 3/4"	2.61 [66]	2.13 [54]	1.02 [26]
QET443GX	3/4" x 3/4" x 1/2"	2.72 [69]	1.89 [48]	1.02 [26]
QET444GX	3/4" x 3/4" x 3/4"	2.92 [74]	2.13 [54]	1.02 [26]
QET445GX	3/4" x 3/4" x 1"	3.28 [83]	2.33 [59]	1.36 [34]
QET544GX	1" x 3/4" x 3/4"	3.04 [77]	2.47 [63]	1.36 [34]
QET545GX	1" x 3/4" x 1"	3.41 [87]	2.67 [68]	1.36 [34]
QET553GX	1" x 1" x 1/2"	3.20 [81]	2.20 [56]	1.36 [34]
QET554GX	1" x 1" x 3/4"	3.32 [84]	2.46 [62]	1.36 [34]
QET555GX	1" x 1" x 1"	3.79 [96]	2.69 [68]	1.36 [34]
QET654GX	1-1/4" x 1" x 3/4"	3.63 [92]	2.72 [69]	1.58 [40]
QET655GX	1-1/4" x 1" x 1"	3.87 [98]	2.94 [74]	1.58 [40]
QET663GX	1-1/4" x 1-1/4" x 1/2"	3.87 [98]	2.48 [63]	1.58 [40]
QET664GX	1-1/4" x 1-1/4" x 3/4"	3.88 [99]	2.72 [69]	1.58 [40]
QET665GX	1-1/4" x 1-1/4" x 1"	4.22 [107]	2.96 [75]	1.58 [40]
QET666GX	1-1/4" x 1-1/4" x 1-1/4"	4.55 [116]	3.20 [81]	1.58 [40]
QET754GX	1-1/2" x 1" x 3/4"	3.87 [98]	2.92 [74]	1.81 [46]
QET755GX	1-1/2" x 1" x 1"	3.98 [101]	3.17 [81]	1.81 [46]
QET757GX	1-1/2" x 1" x 1-1/2"	4.37 [111]	3.69 [94]	1.81 [46]
QET764GX	1-1/2" x 1-1/4" x 3/4"	4.13 [105]	2.92 [74]	1.81 [46]
QET765GX	1-1/2" x 1-1/4" x 1"	4.42 [112]	3.15 [80]	1.81 [46]
QET766GX	1-1/2" x 1-1/4" x 1-1/4"	4.69 [119]	3.43 [87]	1.81 [46]
QET773GX	1-1/2" x 1-1/2" x 1/2"	4.38 [111]	2.68 [68]	1.81 [46]
QET774GX	1-1/2" x 1-1/2" x 3/4"	4.38 [111]	2.92 [74]	1.81 [46]
QET775GX	1-1/2" x 1-1/2" x 1"	4.65 [118]	3.15 [80]	1.81 [46]
QET776GX	1-1/2" x 1-1/2" x 1-1/4"	4.89 [124]	3.42 [87]	1.81 [46]
QET777GX	1-1/2" x 1-1/2" x 1-1/2"	5.09 [129]	3.68 [93]	1.81 [46]
QET874GX	2" x 1-1/2" x 3/4"	4.87 [124]	3.74 [95]	2.56 [65]
QET875GX	2" x 1-1/2" x 1"	4.98 [127]	4.00 [102]	2.56 [65]
QET876GX	2" x 1-1/2" x 1-1/4"	5.22 [133]	4.26 [108]	2.56 [65]
QET877GX	2" x 1-1/2" x 1-1/2"	5.33 [135]	4.52 [115]	2.56 [65]
QET878GX	2" x 1-1/2" x 2"	5.87 [149]	4.96 [126]	2.56 [65]
QET883GX	2" x 2" x 1/2"	5.05 [128]	3.51 [89]	2.56 [65]
QET884GX	2" x 2" x 3/4"	5.28 [134]	3.74 [95]	2.56 [65]
QET885GX	2" x 2" x 1"	5.76 [146]	4.00 [102]	2.56 [65]
QET886GX	2" x 2" x 1-1/4"	5.80 [147]	4.24 [108]	2.56 [65]
QET887GX	2" x 2" x 1-1/2"	5.95 [151]	4.50 [114]	2.56 [65]
QET888GX	2" x 2" x 2"	6.90 [175]	4.96 [126]	2.56 [65]

TYPICAL CONNECTION SIZE		
Tee Port size	A	B
	in [mm]	in [mm]
1/2" EX PEX	0.38 [10]	0.61 [16]
3/4" EX PEX	0.60 [15]	0.87 [22]
1" EX PEX	0.80 [20]	1.11 [28]
1-1/4" EX PEX	0.96 [24]	1.36 [34]
1-1/2" EX PEX	1.08 [28]	1.49 [38]
2" EX PEX	1.55 [39]	2.08 [53]

Engineering Specification: Zurn PEX® XL-Low Lead Brass F1960 Expansion PEX Tee. The QET__GX is used with Zurn Non-Barrier Pex tubing in potable water applications. Not for use in reverse osmosis systems or in areas with known localized aggressive water chemistries. Manufactured from EcoBrass®, C69300. These fittings, as a system with Zurn PEX® tube and Zurn PEX reinforcing rings are pressure rated at 160 PSI at 73°F, 100 PSI at 180°F, and 80 PSI at 200°F. These fittings are 3rd Party certified as complying with the following standards: NSF/ANSI Standard 61, NSF/ANSI Standard 372 (Low Lead), ASTM F1960, CSA B137.5

Accessories

- _____ QER3X 1/2" PEX Expansion Reinforcing Ring w/Stop
- _____ QER4X 3/4" PEX Expansion Reinforcing Ring w/Stop
- _____ QER5X 1" PEX Expansion Reinforcing Ring w/Stop
- _____ QER6X 1-1/4" PEX Expansion Reinforcing Ring w/Stop
- _____ QER7X 1-1/2" PEX Expansion Reinforcing Ring w/Stop
- _____ QER8X 2" PEX Expansion Reinforcing Ring w/Stop
- _____ QEMT345 F1960 Manual Expansion Tool Kit - 1/2" to 1"



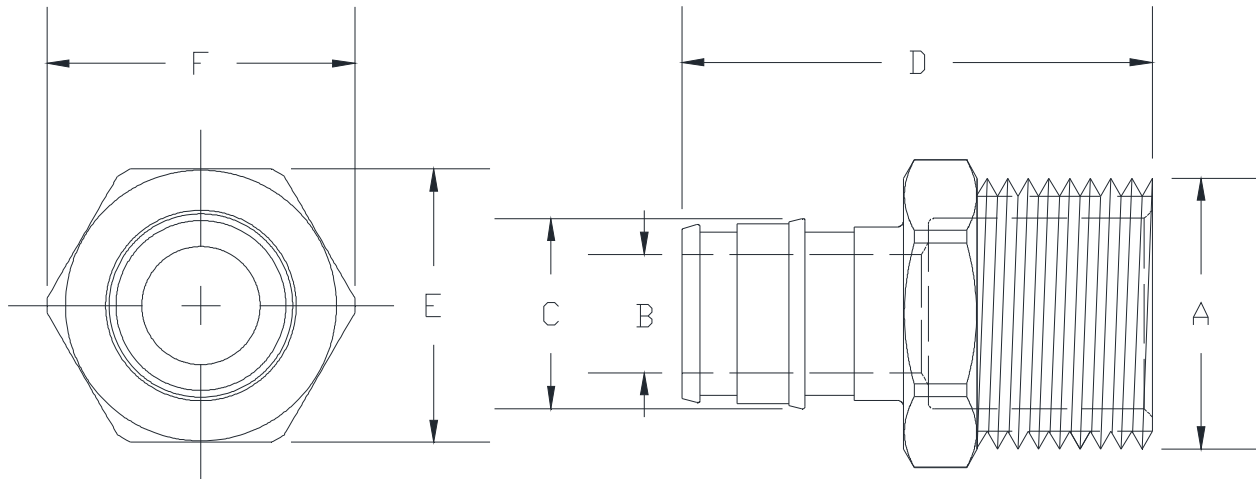
QEMC_GX

XL BRASS F1960 EXPANSION PEX x MALE THREADED ADAPTER

SPECIFICATION SHEET

TAG _____

Dimensional Data (inches and [mm]) are Subject to Manufacturing Tolerances and Change Without Notice



Part Number	XL Brass F1960 Expansion PEX x MPT Adapter Size	Dimensions in In [mm]					
		A	B	C	D	E	F
QEMC33GX	1/2" EX PEX x 1/2" MPT	1/2 NPT	0.38 [10]	0.61 [16]	1.50 [38]	0.88 [22]	0.98 [25]
QEMC34GX	1/2" EX PEX x 3/4" MPT	3/4 NPT	0.38 [10]	0.61 [16]	1.52 [39]	1.06 [27]	1.18 [30]
QEMC43GX	3/4" EX PEX x 1/2" MPT	1/2 NPT	0.60 [15]	0.87 [22]	1.78 [45]	0.85 [21]	0.97 [25]
QEMC44GX	3/4" EX PEX x 3/4" MPT	3/4 NPT	0.60 [15]	0.87 [22]	1.73 [44]	1.06 [27]	1.18 [30]
QEMC45GX	3/4" EX PEX x 1" MPT	1 NPT	0.60 [15]	0.87 [22]	1.95 [50]	1.34 [34]	1.52 [39]
QEMC54GX	1" EX PEX x 3/4" MPT	3/4 NPT	0.80 [20]	1.11 [28]	2.01 [51]	1.06 [27]	1.18 [30]
QEMC55GX	1" EX PEX x 1" MPT	1 NPT	0.80 [20]	1.11 [28]	2.21 [56]	1.34 [34]	1.50 [38]
QEMC65GX	1-1/4" EX PEX x 1" MPT	1 NPT	0.96 [24]	1.36 [34]	2.48 [63]	1.31 [33]	1.52 [39]
QEMC66GX	1-1/4" EX PEX x 1-1/4" MPT	1-1/4 NPT	0.96 [24]	1.36 [34]	2.52 [64]	1.69 [43]	1.77 [45]
QEMC77GX	1-1/2" EX PEX x 1-1/2" MPT	1-1/2 NPT	1.08 [28]	1.49 [38]	2.81 [71]	1.93 [49]	2.05 [52]
QEMC88GX	2" EX PEX x 2" MPT	2 NPT	1.55 [39]	2.08 [53]	3.26 [83]	2.36 [60]	2.52 [64]

Engineering Specification: Zurn PEX® XL-Low Lead Brass F1960 Expansion PEX x Male Threaded Adapter

The QEMC_GX is used with Zurn Non-Barrier Pex tubing in potable water applications. Not for use in reverse osmosis systems or in areas with known localized aggressive water chemistries. Manufactured from EcoBrass®, C69300. These fittings, as a system with Zurn PEX® tube and Zurn PEX reinforcing rings are pressure rated at 160 PSI at 73°F, 100 PSI at 180°F, and 80 PSI at 200°F. These fittings are 3rd Party certified as complying with the following standards: NSF/ANSI Standard 61, NSF/ANSI Standard 372 (Low Lead), ASTM F1960, CSA B137.5

Accessories

___ QER3X	1/2" PEX Expansion Reinforcing Ring w/ Stop
___ QER4X	3/4" PEX Expansion Reinforcing Ring w/ Stop
___ QER5X	1" PEX Expansion Reinforcing Ring w/ Stop
___ QER6X	1-1/4" PEX Expansion Reinforcing Ring w/ Stop
___ QER7X	1-1/2" PEX Expansion Reinforcing Ring w/ Stop
___ QER8X	2" PEX Expansion Reinforcing Ring w/ Stop
___ QEMT345	F1960 Manual Expansion Tool Kit - 1/2" to 1"



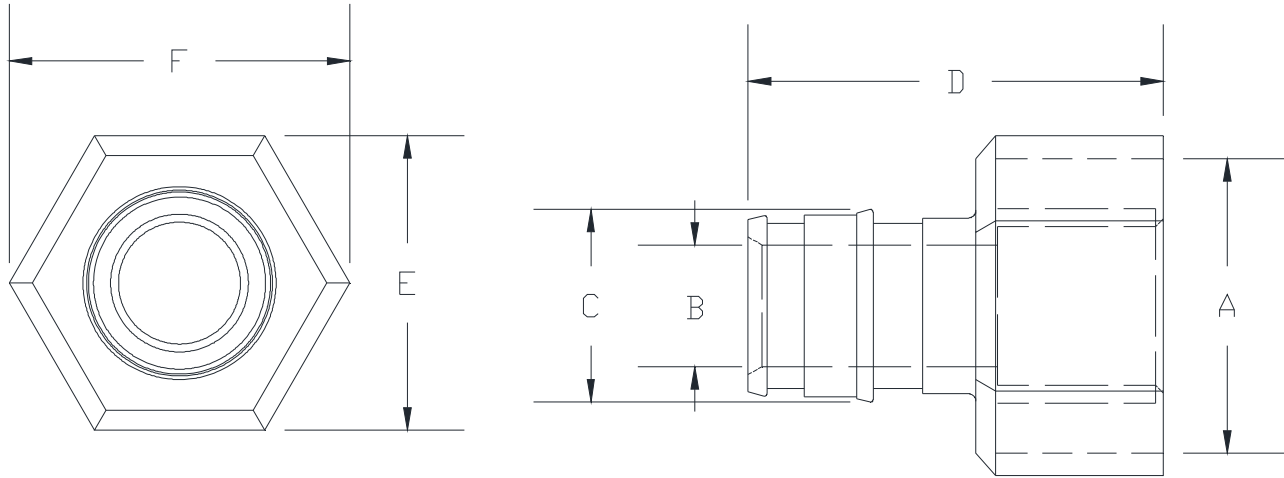
QEUF_C_GX

XL BRASS F1960 EXPANSION PEX x FEMALE THREADED ADAPTER

SPECIFICATION SHEET

TAG _____

Dimensional Data (inches and [mm]) are Subject to Manufacturing Tolerances and Change Without Notice



Part Number	XL Brass F1960 Expansion PEX x FPT Adapter size	Dimensions in In [mm]					
		A	B	C	D	E	F
QEUF _C 33GX	1/2" EX PEX x 1/2" FPT	1/2 NPT	0.38 [10]	0.61 [16]	1.34 [34]	0.98 [25]	1.10 [28]
QEUF _C 34GX	1/2" EX PEX x 3/4" FPT	3/4 NPT	0.38 [10]	0.61 [16]	1.39 [35]	1.18 [30]	1.32 [34]
QEUF _C 44GX	3/4" EX PEX x 3/4" FPT	3/4 NPT	0.60 [15]	0.87 [22]	1.62 [41]	1.18 [30]	1.32 [34]
QEUF _C 45GX	3/4" EX PEX x 1" FPT	1 NPT	0.60 [15]	0.87 [22]	1.76 [45]	1.48 [38]	1.65 [42]
QEUF _C 55GX	1" EX PEX x 1" FPT	1 NPT	0.80 [20]	1.11 [28]	2.00 [51]	1.48 [38]	1.65 [42]
QEUF _C 66GX	1-1/4" EX PEX x 1-1/4" FPT	1-1/4 NPT	0.96 [24]	1.36 [34]	2.28 [58]	1.83 [47]	1.95 [50]
QEUF _C 77GX	1-1/2" EX PEX x 1-1/2" FPT	1-1/2 NPT	1.08 [28]	1.49 [38]	2.53 [64]	2.09 [53]	2.21 [56]
QEUF _C 88GX	2" EX PEX x 2" FPT	2 NPT	1.55 [39]	2.08 [53]	3.01 [76]	2.60 [66]	2.72 [69]

Engineering Specification: Zurn PEX® XL-Low Lead Brass F1960 Expansion PEX x Female Threaded Adapter
 The QEUF_C_GX is used with Zurn Non-Barrier Pex tubing in potable water applications. Not for use in reverse osmosis systems or in areas with known localized aggressive water chemistries. Manufactured from EcoBrass®, C69300. These fittings, as a system with Zurn PEX® tube and Zurn PEX reinforcing rings are pressure rated at 160 PSI at 73°F, 100 PSI at 180°F, and 80 PSI at 200°F. These fittings are 3rd Party certified as complying with the following standards: NSF/ANSI Standard 61, NSF/ANSI Standard 372 (Low Lead), ASTM F1960, CSA B137.5

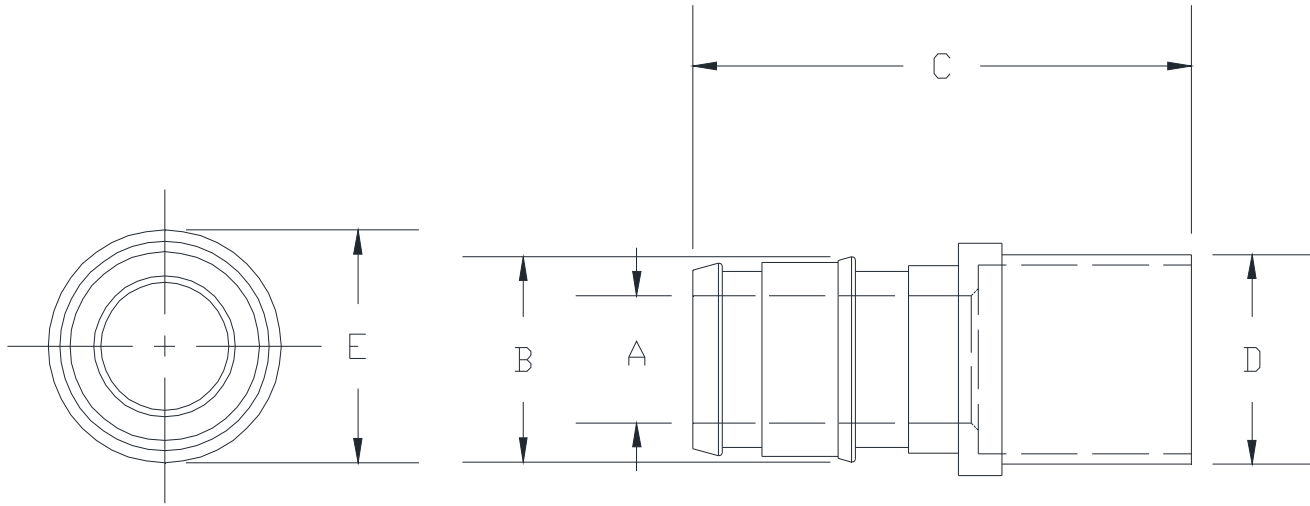
Accessories

- ___ QER3X 1/2" PEX Expansion Reinforcing Ring w/Stop
- ___ QER4X 3/4" PEX Expansion Reinforcing Ring w/Stop
- ___ QER5X 1" PEX Expansion Reinforcing Ring w/Stop
- ___ QER6X 1-1/4" PEX Expansion Reinforcing Ring w/Stop
- ___ QER7X 1-1/2" PEX Expansion Reinforcing Ring w/Stop
- ___ QER8X 2" PEX Expansion Reinforcing Ring w/Stop
- ___ QEMT345 F1960 Manual Expansion Tool Kit - 1/2" to 1"

**QE_GX****XL BRASS F1960 EXPANSION PEX x MALE SWEAT ADAPTER****SPECIFICATION SHEET**

TAG _____

Dimensional Data (inches and [mm]) are Subject to Manufacturing Tolerances and Change Without Notice



Part Number	XL Brass F1960 Expansion PEXx Male Sweat Adapter Size	Dimensions in In [mm]				
		A	B	C	D*	E
QE650GX	1/2" EX PEXx 1/2" Male Sweat	0.38 [10]	0.61 [16]	1.38 [35]	1/2" CU MSWT	0.69 [18]
QE657GX	1/2" EX PEXx 3/4" Male Sweat	0.38 [10]	0.61 [16]	1.50 [38]	3/4" CU MSWT	0.87 [22]
QE670GX	3/4" EX PEXx 1/2" Male Sweat	0.60 [15]	0.87 [22]	1.62 [41]	1/2" CU MSWT	0.95 [24]
QE675GX	3/4" EX PEXx 3/4" Male Sweat	0.60 [15]	0.87 [22]	1.87 [48]	3/4" CU MSWT	0.95 [24]
QE677GX	3/4" EX PEXx 1" Male Sweat	0.60 [15]	0.87 [22]	1.90 [48]	1" CU MSWT	1.13 [29]
QE700GX	1" EX PEXx 1" Male Sweat	0.80 [20]	1.11 [28]	2.26 [57]	1" CU MSWT	1.18 [30]
QE712GX	1-1/4" EX PEXx 1-1/4" Male Sweat	0.96 [24]	1.36 [34]	2.57 [65]	1-1/4" CU MSWT	1.46 [37]
QE900GX	1-1/2" EX PEXx 1-1/2" Male Sweat	1.08 [28]	1.49 [38]	2.86 [73]	1-1/2" CU MSWT	1.62 [41]
QE975GX	2" EX PEXx 2" Male Sweat	1.55 [39]	2.08 [53]	3.67 [93]	2" CU MSWT	2.28 [58]

*Fittings are designed to accept Nominal copper fitting size

Engineering Specification: Zurn PEX® XL-Low Lead Brass F1960 Expansion PEX x Male Sweat Adapter

The QE__GX is used with Zurn Non-Barrier Pex tubing in potable water applications. Not for use in reverse osmosis systems or in areas with known localized aggressive water chemistries. Manufactured from EcoBrass®, C69300. These fittings, as a system with Zurn PEX® tube and Zurn PEX reinforcing rings are pressure rated at 160 PSI at 73°F, 100 PSI at 180°F, and 80 PSI at 200°F. These fittings are 3rd Party certified as complying with the following standards: NSF/ANSI Standard 61, NSF/ANSI Standard 372 (Low Lead), ASTM F1960, CSA B137.5

Accessories

___	QER3X	1/2" PEX Expansion Reinforcing Ring w/Stop
___	QER4X	3/4" PEX Expansion Reinforcing Ring w/Stop
___	QER5X	1" PEX Expansion Reinforcing Ring w/Stop
___	QER6X	1-1/4" PEX Expansion Reinforcing Ring w/Stop
___	QER7X	1-1/2" PEX Expansion Reinforcing Ring w/Stop
___	QER8X	2" PEX Expansion Reinforcing Ring w/Stop
___	QEMT345	F1960 Manual Expansion Tool Kit - 1/2" to 1"

Zurn Industries, LLC | Zurn PEX, Inc.
116 Maple Street, Commerce, TX U.S.A. 75429 · Ph. 800-872-7277, Fax 800-209-2148

Zurn Industries, LLC | Specification Drainage Operation
1801 Pittsburgh Avenue, Erie, PA U.S.A. 16502 · Ph. 855-663-9876, Fax 814-454-7929

www.zurn.com

Rev. -
Date: 08/07/17
C.N. No. 136942
Prod. | Dwg. No. QE_GX-MSWT

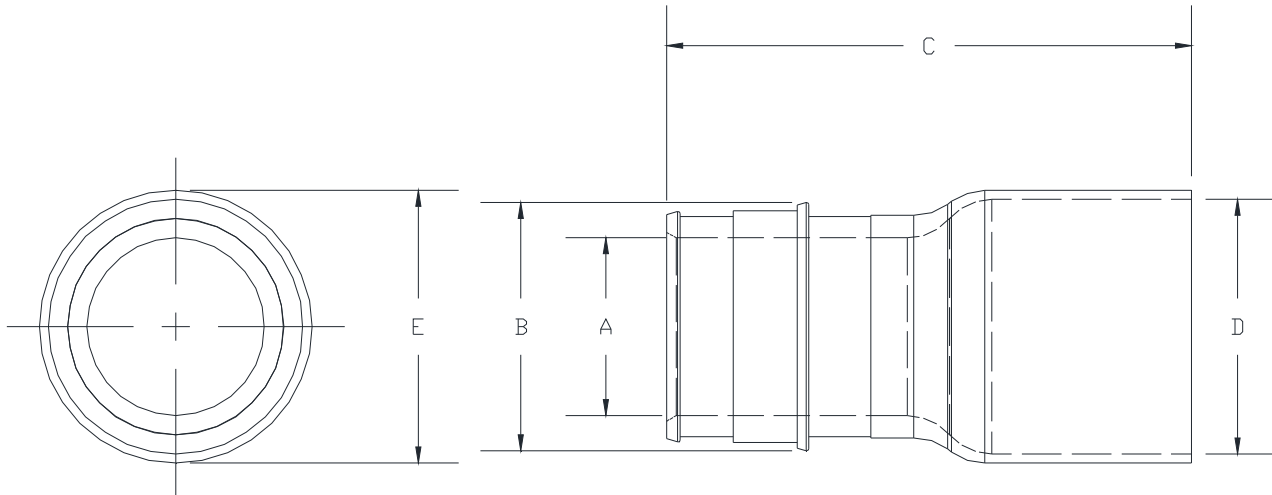
**QE_GX**

SPECIFICATION SHEET

XL BRASS F1960 EXPANSION PEX x FEMALE SWEAT ADAPTER

TAG _____

Dimensional Data (inches and [mm]) are Subject to Manufacturing Tolerances and Change Without Notice



Part Number	XL Brass F1960 Expansion PEX x Female Sweat Adapter Size	Dimensions in In [mm]				
		A	B	C	D*	E
QE750GX	1/2" EX PEX x 1/2" Female Sweat	0.38 [10]	0.61 [16]	1.24 [32]	1/2" CU FSWT	0.71 [18]
QE755GX	1/2" EX PEX x 3/4" Female Sweat	0.38 [10]	0.61 [16]	1.50 [38]	3/4" CU FSWT	0.96 [24]
QE770GX	3/4" EX PEX x 1/2" Female Sweat	0.60 [15]	0.87 [22]	1.50 [38]	1/2" CU FSWT	0.95 [24]
QE775GX	3/4" EX PEX x 3/4" Female Sweat	0.60 [15]	0.87 [22]	1.73 [44]	3/4" CU FSWT	0.96 [24]
QE778GX	3/4" EX PEX x 1" Female Sweat	0.60 [15]	0.87 [22]	1.91 [49]	1" CU FSWT	1.22 [31]
QE800GX	1" EX PEX x 1" Female Sweat	0.80 [20]	1.11 [28]	2.14 [54]	1" CU FSWT	1.22 [31]
QE812GX	1-1/4" EX PEX x 1-1/4" Female Sweat	0.96 [24]	1.36 [34]	2.50 [64]	1-1/4" CU FSWT	1.51 [38]
QE950GX	1-1/2" EX PEX x 1-1/2" Female Sweat	1.08 [28]	1.49 [38]	2.90 [74]	1-1/2" CU FSWT	1.78 [45]
QE1050GX	2" EX PEX x 2" Female Sweat	1.55 [39]	2.08 [53]	3.59 [91]	2" CU FSWT	2.31 [59]

*Fittings are designed to accept Nominal copper tubing size

Engineering Specification: Zurn PEX® XL-Low Lead Brass F1960 Expansion PEX x Female Sweat Adapter

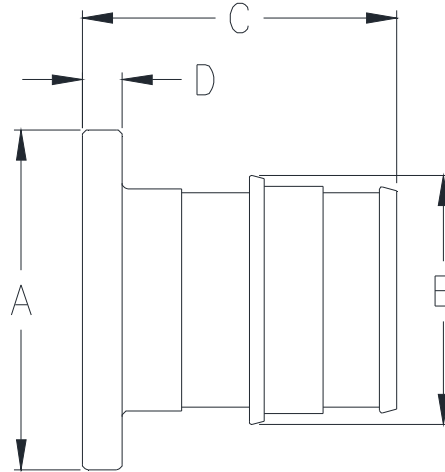
The QE_GX is used with Zurn Non-Barrier Pex tubing in potable water applications. Not for use in reverse osmosis systems or in areas with known localized aggressive water chemistries. Manufactured from EcoBrass®, C69300. These fittings, as a system with Zurn PEX® tube and Zurn PEX reinforcing rings are pressure rated at 160 PSI at 73°F, 100 PSI at 180°F, and 80 PSI at 200°F. These fittings are 3rd Party certified as complying with the following standards: NSF/ANSI Standard 61, NSF/ANSI Standard 372 (Low Lead), ASTM F1960, CSA B137.5

Accessories

___	QER3X	1/2" PEX Expansion Reinforcing Ring w/Stop
___	QER4X	3/4" PEX Expansion Reinforcing Ring w/Stop
___	QER5X	1" PEX Expansion Reinforcing Ring w/Stop
___	QER6X	1-1/4" PEX Expansion Reinforcing Ring w/Stop
___	QER7X	1-1/2" PEX Expansion Reinforcing Ring w/Stop
___	QER8X	2" PEX Expansion Reinforcing Ring w/Stop
___	QEMT345	F1960 Manual Expansion Tool Kit - 1/2" to 1"



Dimensional Data (inches and [mm]) are Subject to Manufacturing Tolerances and Change Without Notice



Part Number	XL Brass F1960 Expansion PEX Test Plug Size	Dimensions in In [mm]			
		A	B	C	D
QEP3GX	1/2" EX PEX	0.69 [18]	0.61 [16]	0.82 [21]	0.13 [3]
QEP4GX	3/4" EX PEX	0.95 [24]	0.87 [22]	1.06 [27]	0.13 [3]
QEP5GX	1" EX PEX	1.18 [30]	1.11 [28]	1.29 [33]	0.13 [3]
QEP6GX	1-1/4" EX PEX	1.46 [37]	1.36 [34]	1.56 [40]	0.13 [3]
QEP7GX	1-1/2" EX PEX	1.61 [41]	1.49 [38]	1.81 [46]	0.13 [3]
QEP8GX	2" EX PEX	2.28 [58]	2.08 [53]	2.26 [57]	0.13 [3]

Engineering Specification: Zurn PEX® XL-Low Lead Brass F1960 Expansion PEX Test Plug

The QEP__GX is used with Zurn Non-Barrier Pex tubing in potable water applications. Not for use in reverse osmosis systems or in areas with known localized aggressive water chemistries. Manufactured from EcoBrass®,C69300. These fittings, as a system with Zurn PEX® tube and Zurn PEX reinforcing rings are pressure rated at 160 PSI at 73°F, 100 PSI at 180°F, and 80 PSI at 200°F. These fittings are 3rd Party certified as complying with the following standards: NSF/ANSI Standard 61, NSF/ANSI Standard 372 (Low Lead), ASTM F1960, CSA B137.5

Accessories

- ___ QER3X 1/2" PEX Expansion Reinforcing Ring w/Stop
- ___ QER4X 3/4" PEX Expansion Reinforcing Ring w/Stop
- ___ QER5X 1" PEX Expansion Reinforcing Ring w/Stop
- ___ QER6X 1-1/4" PEX Expansion Reinforcing Ring w/Stop
- ___ QER7X 1-1/2" PEX Expansion Reinforcing Ring w/Stop
- ___ QER8X 2" PEX Expansion Reinforcing Ring w/Stop
- ___ QEMT345 F1960 Manual Expansion Tool Kit - 1/2" to 1"

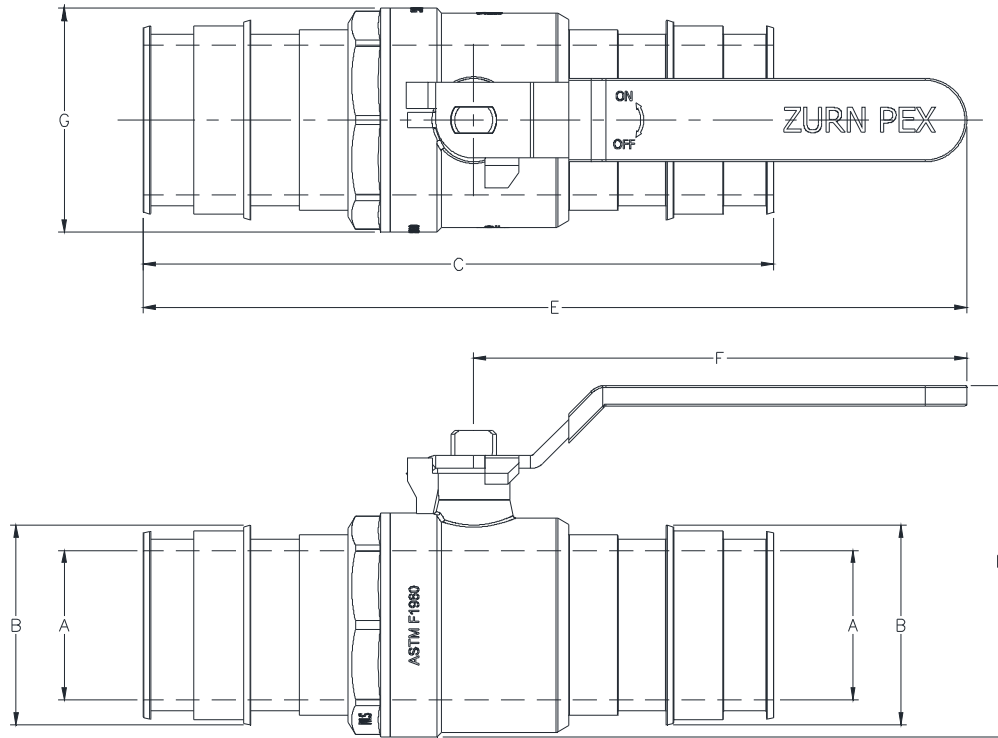


QEBV_GX

XL BRASS F1960 EXPANSION PEX x EXPANSION PEX FULL PORT BALL VALVE

TAG _____

Dimensional Data (inches and [mm]) are Subject to Manufacturing Tolerances and Change Without Notice



Part Number	XL Brass Full Port Ball Valve EX PEX x EX PEX	Dimensions in In [mm]						
		A	B	C	D	E	F	G
QEBV33GX	1/2" EX PEX x 1/2" EX PEX	0.38 [10]	0.61 [16]	2.56 [65]	1.96 [50]	4.34 [110]	2.96 [75]	0.93 [24]
QEBV44GX	3/4" EX PEX x 3/4" EX PEX	0.60 [15]	0.87 [22]	3.18 [81]	2.13 [54]	4.93 [125]	3.19 [81]	1.10 [28]
QEBV55GX	1" EX PEX x 1" EX PEX	0.80 [20]	1.11 [28]	3.95 [100]	2.68 [68]	6.28 [160]	4.17 [106]	1.42 [36]
QEBV66GX	1-1/4" EX PEX x 1-1/4" EX PEX	0.96 [24]	1.36 [34]	4.56 [116]	3.00 [76]	7.50 [191]	5.12 [130]	1.67 [43]
QEBV77GX	1-1/2" EX PEX x 1-1/2" EX PEX	1.08 [28]	1.49 [38]	5.22 [133]	3.12 [79]	7.88 [200]	5.12 [130]	1.79 [46]
QEBV88GX	2" EX PEX x 2" EX PEX	1.55 [39]	2.08 [53]	6.54 [166]	3.65 [93]	8.55 [217]	5.12 [130]	2.32 [59]

Engineering Specification: Zurn QEBV_GX

Zurn PEX® XL-Low Lead Brass F1960 Expansion PEX x Expansion PEX Full Port Ball Valve. The QEBV__GX is used with Zurn Non-Barrier Pex tubing in potable water applications. Not for use in reverse osmosis systems or in areas with known localized aggressive water chemistries. Manufactured from EcoBrass®, C69300. These valves, as a system with Zurn PEX® tube and Zurn PEX reinforcing rings are pressure rated at 160 PSI at 73°F, 100 PSI at 180°F, and 80 PSI at 200°F. These valves are 3rd Party certified as complying with the following standards: NSF/ANSI Standard 61, NSF/ANSI Standard 372 (Low Lead), ASTM F1960, CSA B137.5

Accessories

- ___ QER3X 1/2" PEX Expansion Reinforcing Ring with Stop
- ___ QER4X 3/4" PEX Expansion Reinforcing Ring with Stop
- ___ QER5X 1" PEX Expansion Reinforcing Ring with Stop
- ___ QER6X 1-1/4" PEX Expansion Reinforcing Ring with Stop
- ___ QER7X 1-1/2" PEX Expansion Reinforcing Ring with Stop
- ___ QER8X 2" PEX Expansion Reinforcing Ring with Stop
- ___ QEMT345 F1960 Manual Expansion Tool Kit - 1/2" to 1"



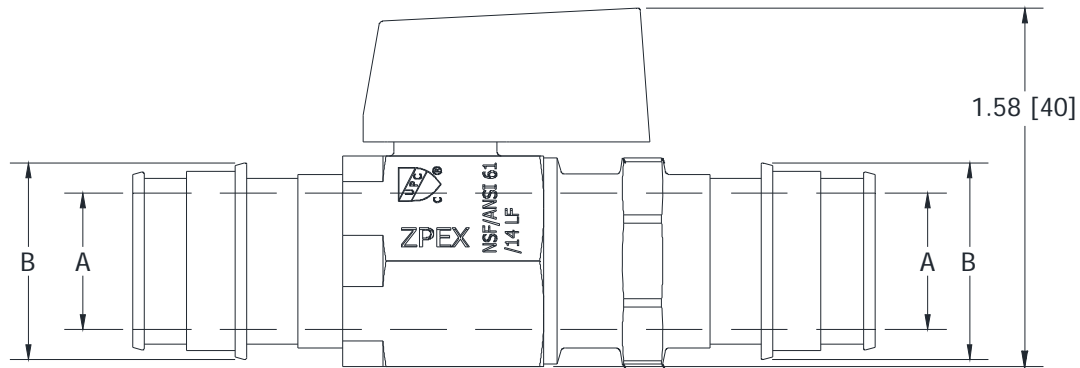
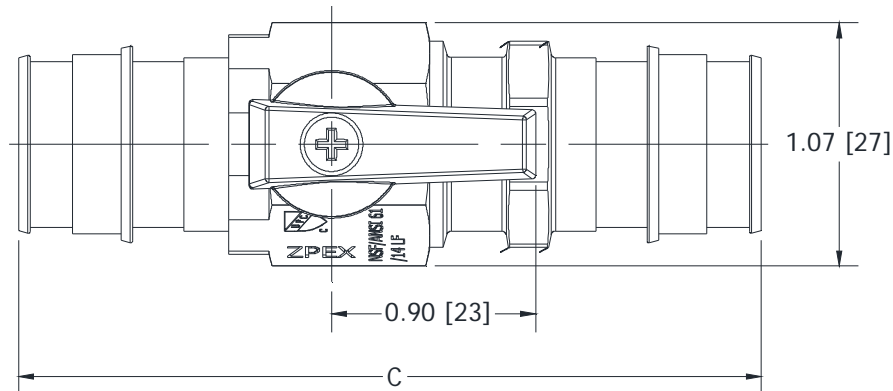
QEMBV_GX

XL BRASS F1960 EXPANSION PEX x EXPANSION PEX MINI BALL VALVE

SPECIFICATION SHEET

TAG _____

Dimensional Data (inches and [mm]) are Subject to Manufacturing Tolerances and Change Without Notice



Part Number	XL Brass Mini Ball Valve EX PEX x EX PEX	Dimensions in In [mm]		
		A	B	C
QEMBV33GX	1/2" EX PEX x 1/2" EX PEX	0.38 [10]	0.61 [16]	2.78 [71]
QEMBV44GX	3/4" EX PEX x 3/4" EX PEX	0.60 [15]	0.87 [22]	3.27 [83]

Engineering Specification: Zurn QEMBV_GX

Zurn PEX® XL-Low Lead Brass F1960 Expansion PEX x Expansion PEX Mini Ball Valve. The QEMBV__GX is used with Zurn Non-Barrier Pex tubing in potable water applications. Not for use in reverse osmosis systems or in areas with known localized aggressive water chemistries. Manufactured from EcoBrass®, C69300. These valves, as a system with Zurn PEX® tube and Zurn PEX reinforcing rings are pressure rated at 160 PSI at 73°F, 100 PSI at 180°F, and 80 PSI at 200°F. These valves are 3rd Party certified as complying with the following standards: NSF/ANSI Standard 61, NSF/ANSI Standard 372 (Low Lead), ASTM F1960, CSA B137.5

Accessories

- ___ QER3X 1/2" PEX Expansion Reinforcing Ring with Stop
- ___ QER4X 3/4" PEX Expansion Reinforcing Ring with Stop
- ___ QEMT345 F1960 Manual Expansion Tool Kit - 1/2" to 1"



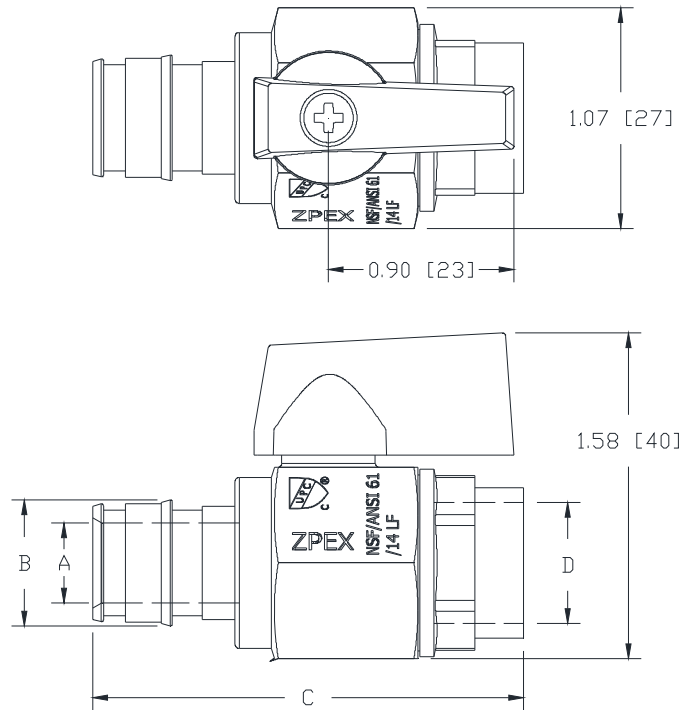
QEMBV_BFSGX

XL BRASS F1960 EXPANSION PEX x FEMALE SWEAT MINI BALL VALVE

SPECIFICATION SHEET

TAG _____

Dimensional Data (inches and [mm]) are Subject to Manufacturing Tolerances and Change Without Notice



Part Number	XL Brass Mini Ball Valve EX PEX x Female Sweat	Dimensions in In [mm]			
		A	B	C	D*
QEMBV33BFSGX	1/2" EX PEX x 1/2" FEMALE SWEAT	0.38 [10]	0.61 [16]	2.09 [53]	1/2" CU
QEMBV44BFSGX	3/4" EX PEX x 3/4" FEMALE SWEAT	0.60 [15]	0.87 [22]	2.57 [65]	3/4" CU

*Ball valve is designed to accept Nominal copper tube size

Engineering Specification: Zurn QEMBV_BFSGX

Zurn PEX® XL-Low Lead Brass F1960 Expansion PEX x Female Sweat Mini Ball Valve. The QEMBV__BFSGX is used with Zurn Non-Barrier Pex tubing in potable water applications. Not for use in reverse osmosis systems or in areas with known localized aggressive water chemistries. Manufactured from EcoBrass®, C69300. These valves, as a system with Zurn PEX® tube and Zurn PEX reinforcing rings are pressure rated at 160 PSI at 73°F, 100 PSI at 180°F, and 80 PSI at 200°F. These valves are 3rd Party certified as complying with the following standards: NSF/ANSI Standard 61, NSF/ANSI Standard 372 (Low Lead), ASTM F1960, CSA B137.5

Accessories

- ___ QER3X 1/2" PEX Expansion Reinforcing Ring with Stop
- ___ QER4X 3/4" PEX Expansion Reinforcing Ring with Stop
- ___ QEMT345 F1960 Manual Expansion Tool Kit - 1/2" to 1"



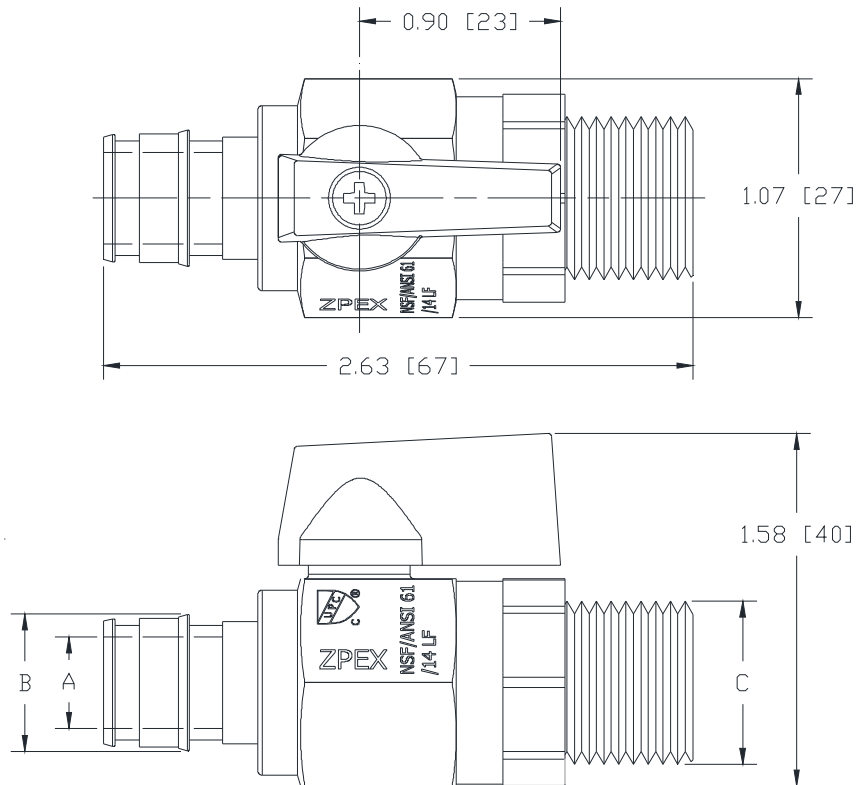
QEMBV_BMTGX

XL BRASS F1960 EXPANSION PEX x MALE PIPE
THREAD MINI BALL VALVE

SPECIFICATION SHEET

TAG _____

Dimensional Data (inches and [mm]) are Subject to Manufacturing Tolerances and Change Without Notice



Part Number	XL Brass Mini Ball Valve EX PEX x Male Pipe Thread	Dimensions in In [mm]		
		A	B	C
QEMBV33BMTGX	1/2" EX PEX x 1/2" Male NPT	0.38 [10]	0.61 [16]	1/2" NPT

Engineering Specification: Zurn QEMBV_BMTGX

Zurn PEX® XL-Low Lead Brass F1960 Expansion PEX x Male Pipe Thread Mini Ball Valve. The QEMBV__BMTGX is used with Zurn Non-Barrier Pex tubing in potable water applications. Not for use in reverse osmosis systems or in areas with known localized aggressive water chemistries. Manufactured from EcoBrass®, C69300. These valves, as a system with Zurn PEX® tube and Zurn PEX reinforcing rings are pressure rated at 160 PSI at 73°F, 100 PSI at 180°F, and 80 PSI at 200°F. These fittings are 3rd Party certified as complying with the following standards: NSF/ANSI Standard 61, NSF/ANSI Standard 372 (Low Lead), ASTM F1960, CSA B137.5

Accessories

- ___ QER3X 1/2" PEX Expansion Reinforcing Ring with Stop
- ___ QEMT345 F1960 Manual Expansion Tool Kit - 1/2" to 1"



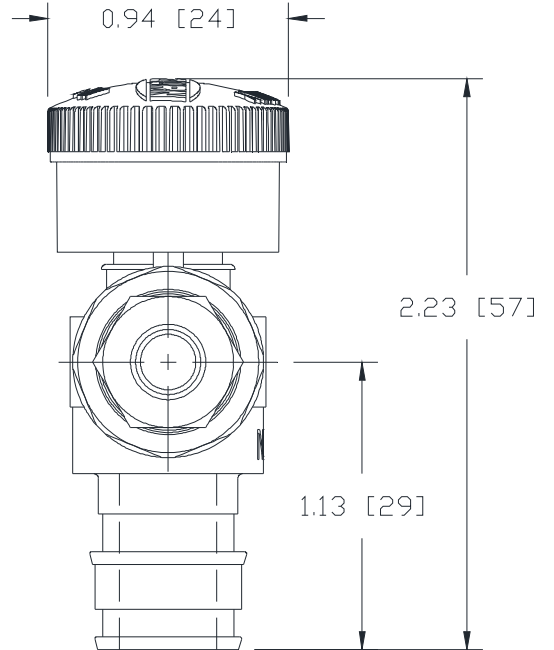
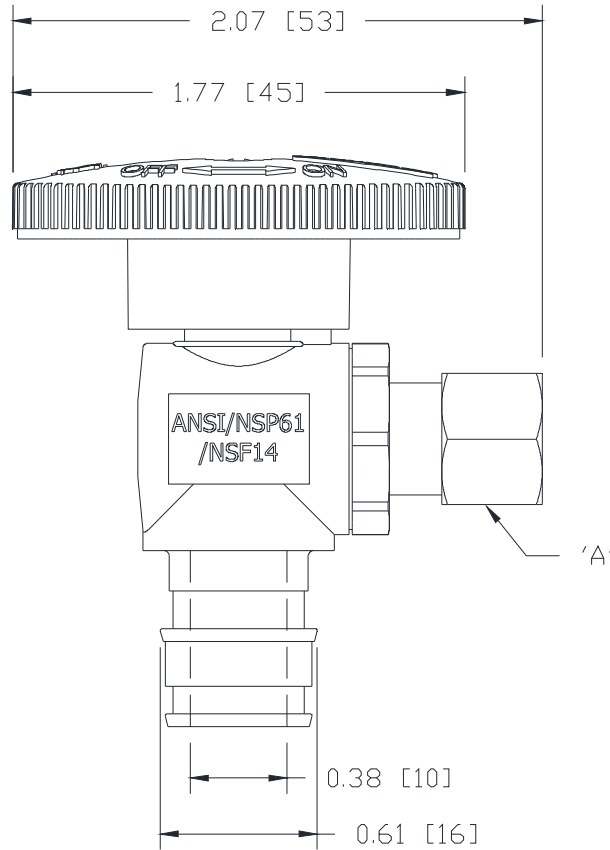
QETV_GX

XL BRASS F1960 EXPANSION PEX X COMPRESSION QUARTER TURN CHROME ANGLE STOP VALVE

SPECIFICATION SHEET

TAG _____

Dimensional Data (inches and [mm]) are Subject to Manufacturing Tolerances and Change Without Notice



Part Number	Quarter Turn Chrome Angle Stop Valve EX PEX x Compression	'A' Compression Nut & Sleeve
QETV40GX	1/2" EX PEX x 1/4" OD Compression	1/4" OD Comp.
QETV60GX	1/2" EX PEX x 3/8" OD Compression	3/8" OD Comp.

Engineering Specification: ZURN QETV_GX

Zurn PEX® XL-Low Lead Brass F1960 Expansion PEX x Compression Quarter Turn Chrome Angle Stop Valve.

The QETV_GX is used with Zurn Non-Barrier Pex tubing in potable water applications. Not for use in reverse osmosis systems or in areas with known localized aggressive water chemistries. Manufactured from EcoBrass®, C69300. These valves, as a system with Zurn PEX® tube and Zurn PEX reinforcing rings are pressure rated at 160 PSI at 73°F, 100 PSI at 180°F, and 80 PSI at 200°F. These fittings are 3rd Party certified as complying with the following standards: NSF/ANSI Standard 61, NSF/ANSI Standard 372 (Low Lead), ASTM F1960, CSA B137.5.

Accessories

- ___ QER3X 1/2" PEX Expansion Reinforcing Ring w/Stop
- ___ QEMT345 F1960 Manual Expansion Tool Kit - 1/2" to 1"



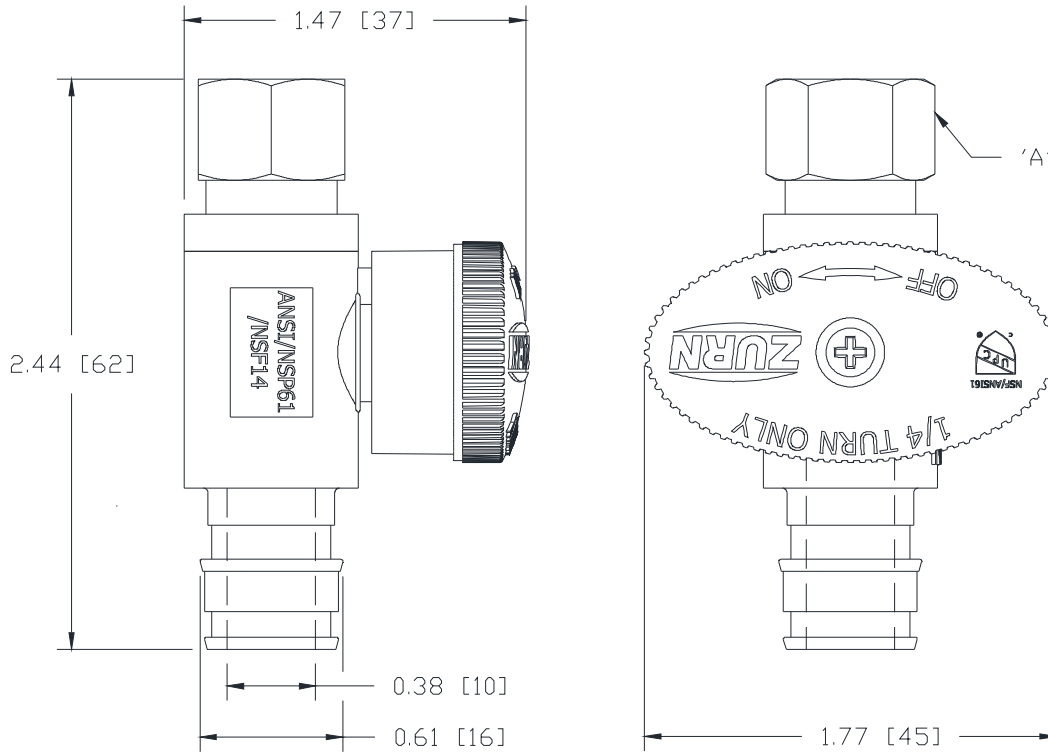
QETV_SGX

SPECIFICATION SHEET

XL BRASS F1960 EXPANSION PEX X COMPRESSION
 QUARTER TURN CHROME STRAIGHT STOP VALVE

TAG _____

Dimensional Data (inches and [mm]) are Subject to Manufacturing Tolerances and Change Without Notice



Part Number	Quarter Turn Chrome Straight Stop Valve EX PEX x Compression	'A' Compression Nut & Sleeve
QETV60SGX	1/2" EX PEX x 3/8" OD Compression	3/8" OD Comp.

Engineering Specification: Zurn QETV_SGX

Zurn PEX® XL-Low Lead Brass F1960 Expansion PEX x Compression Quarter Turn Chrome Straight Stop Valve. The QETV_SGX is used with Zurn Non-Barrier Pex tubing in potable water applications. Not for use in reverse osmosis systems or in areas with known localized aggressive water chemistries. Manufactured from EcoBrass®, C69300. These valves, as a system with Zurn PEX® tube and Zurn PEX reinforcing rings are pressure rated at 160 PSI at 73°F, 100 PSI at 180°F, and 80 PSI at 200°F. These fittings are 3rd Party certified as complying with the following standards: NSF/ANSI Standard 61, NSF/ANSI Standard 372 (Low Lead), ASTM F1960, CSA B137.5

Accessories

- ___ QER3X 1/2" PEX Expansion Reinforcing Ring w/Stop
- ___ QEMT345 F1960 Manual Expansion Tool Kit - 1/2" to 1"



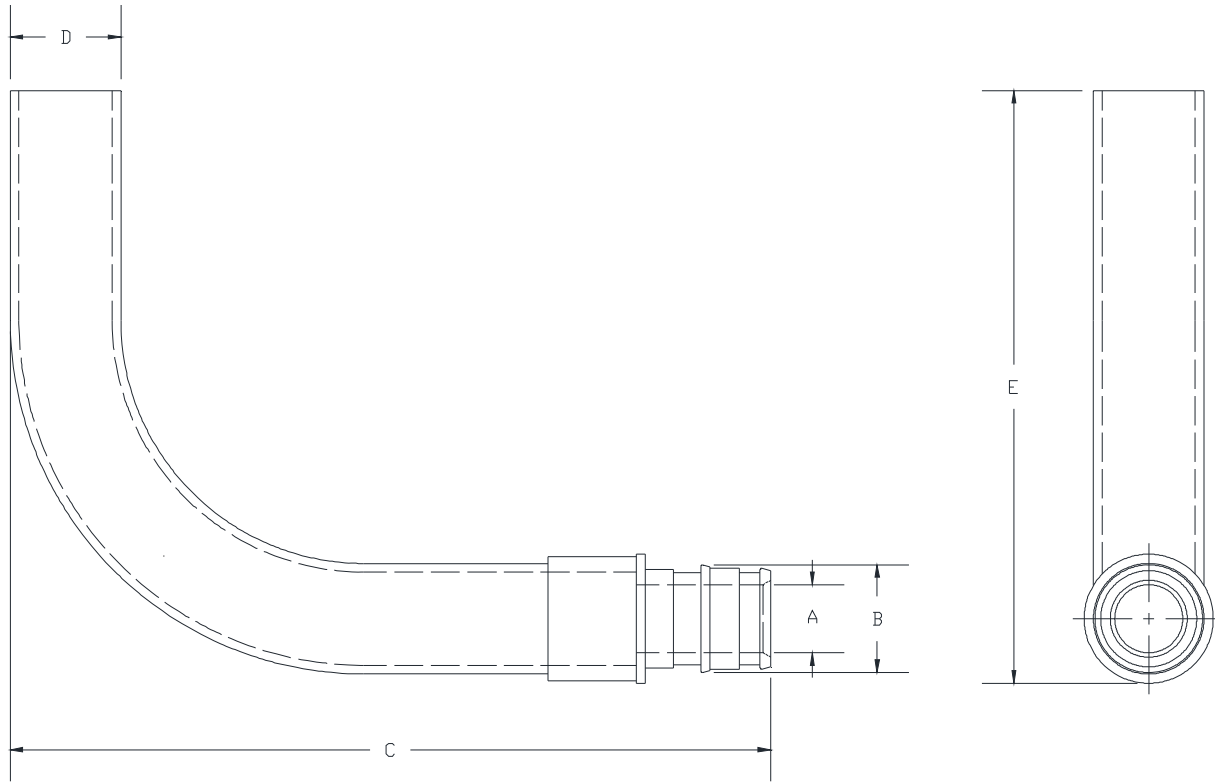
QEMCEA33S_

XL BRASS F1960 EXPANSION PEX x COPPER
TUBE TUB/SHOWER ELBOW

SPECIFICATION SHEET

TAG _____

Dimensional Data (inches and [mm]) are Subject to Manufacturing Tolerances and Change Without Notice



Part Number	Expansion Copper Tub/Shower Elbow EX PEX x Copper Tube	Dimensions in In [mm]				
		A	B	C	D*	E
QEMCEA33S4	1/2" EX PEX x 1/2" CTS (4" x 4")	0.38 [10]	0.61 [16]	4.31 [110]	1/2" Nom. CU	4.36 [111]
QEMCEA33S6	1/2" EX PEX x 1/2" CTS (6" x 6")	0.38 [10]	0.61 [16]	6.31 [160]	1/2" Nom. CU	6.36 [161]

*Copper Tub/Shower Elbow is designed to accept Nominal copper fitting size

Engineering Specification: Zurn PEX® XL Low Lead Brass F1960 Expansion PEX x Copper Tube Tub/Shower Elbow
The QEMCEA33S_ is used with Zurn Non-Barrier Pex tubing in potable water applications. Not for use in reverse osmosis systems or in areas with known localized aggressive water chemistries. Manufactured from C12200 Copper and EcoBrass®, C69300. These fittings, as a system with Zurn PEX® tube and Zurn PEX reinforcing rings are pressure rated at 160 PSI at 73°F, 100 PSI at 180°F, and 80 PSI at 200°F. These fittings are 3rd Party certified as complying with the following standards: NSF/ANSI Standard 61, NSF/ANSI Standard 372 (Low Lead), ASTM F1960, CSAB137.5

Accessories

- ___ QER3X 1/2" PEX Expansion Reinforcing Ring w/Stop
- ___ QEMT345 F1960 Manual Expansion Tool Kit - 1/2" to 1"



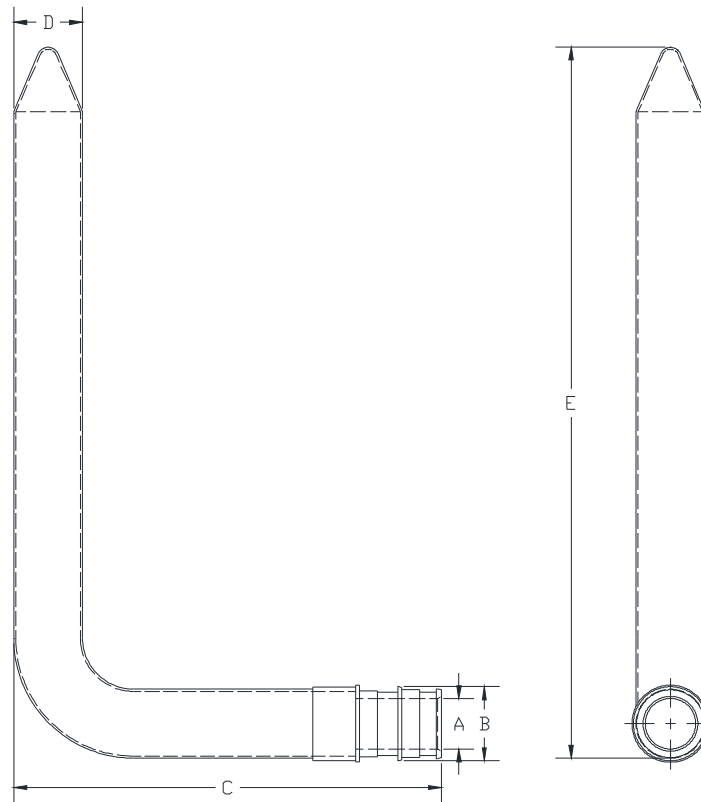
QESTUBL_X8

XL BRASS F1960 EXPANSION PEX x CLOSED COPPER STUBOUT ELBOW

SPECIFICATION SHEET

TAG _____

Dimensional Data (inches and [mm]) are Subject to Manufacturing Tolerances and Change Without Notice



Part Number	F1960 Expansion PEX Copper Stubout Elbow Sizes	Dimensions in In [mm]				
		A	B	C	D*	E
QESTUBL3.5X8	1/2" EX PEX x 1/2" Nom. Copper	0.38 [10]	0.61 [16]	3.81 [97]	1/2" Nom. CU	8.36 [212]
QESTUBL4X8	3/4" EX PEX x 3/4" Nom. Copper	0.60 [15]	0.87 [22]	4.44 [113]	3/4" Nom. CU	8.48 [215]

*Copper Stubout Elbow is designed to accept Nominal copper fitting size

Engineering Specification: Zurn PEX® XL-Low Lead Brass F1960 Expansion PEX x Closed Copper Stubout Elbow
 The QESTUBL_X8 is used with Zurn Non-Barrier Pex tubing in potable water applications. Not for use in reverse osmosis systems or in areas with known localized aggressive water chemistries. Spun closed end allows for system testing before valves or fittings are installed. Manufactured from C12200 Copper and EcoBrass®, C69300. These fittings, as a system with Zurn PEX® tube and Zurn PEX reinforcing rings are pressure rated at 160 PSI at 73°F, 100 PSI at 180°F, and 80 PSI at 200°F. These fittings are 3rd Party certified as complying with the following standards: NSF/ANSI Standard 61, NSF/ANSI Standard 372 (Low Lead), ASTM F1960, CSA B137.5

Accessories

- ___ QER3X 1/2" PEX Expansion Reinforcing Ring w/Stop
- ___ QER4X 3/4" PEX Expansion Reinforcing Ring w/Stop
- ___ QEMT345 F1960 Manual Expansion Tool Kit - 1/2" to 1"

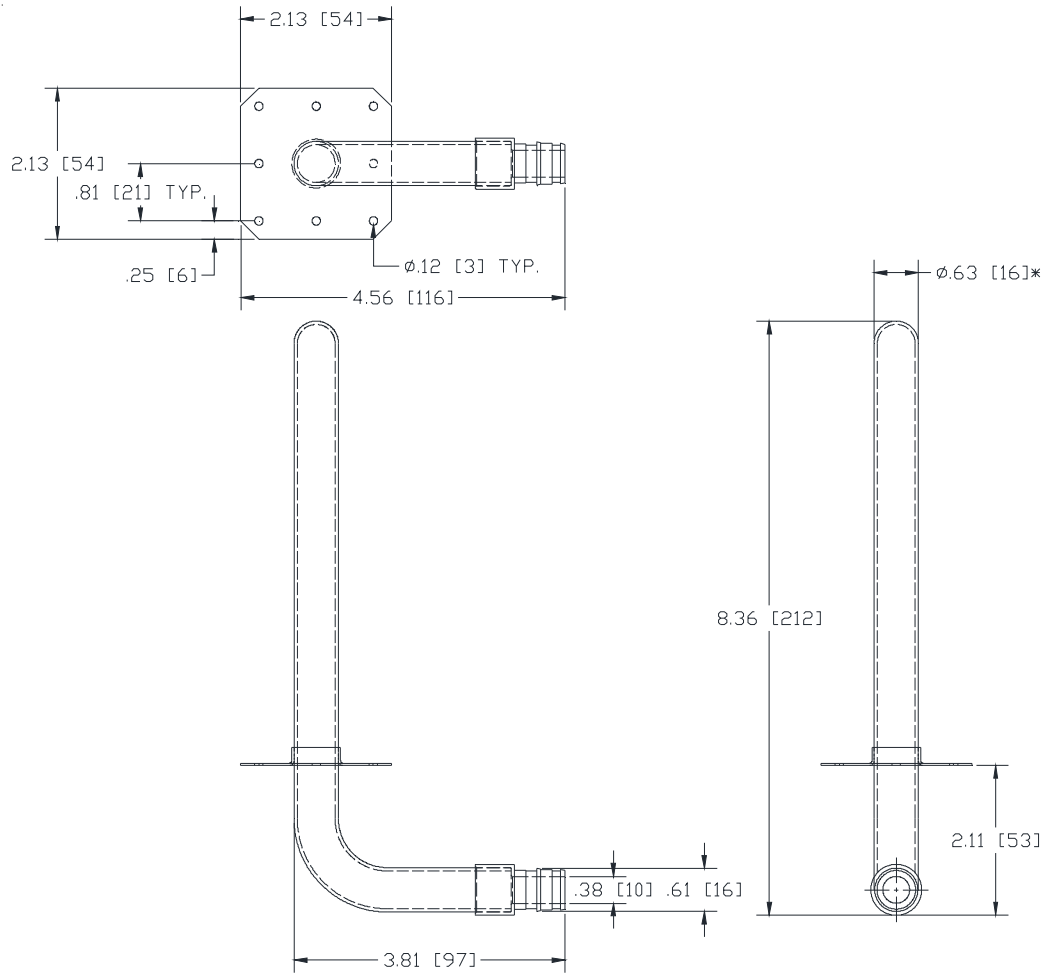


QESTUBLXXF

SPECIFICATION SHEET

XL BRASS F1960 EXPANSION PEX x CLOSED COPPER STUBOUT ELBOW WITH MOUNTING FLANGE TAG _____

Dimensional Data (inches and [mm]) are Subject to Manufacturing Tolerances and Change Without Notice



*Copper Stubout Elbow is designed to accept Nominal copper fitting size

Engineering Specification: Zurn PEX® XL-Low Lead Brass F1960 Expansion PEX x Closed Copper Stubout Elbow with Mounting Flange

The QESTUBLXXF is used with Zurn Non-Barrier Pex tubing in potable water applications. Not for use in reverse osmosis systems or in areas with known localized aggressive water chemistries. Spun closed end allows for system testing before valves or fittings are installed. The stubout elbow is manufactured from C12200 Copper and EcoBrass®, C69300. The mounting flange is manufactured from Q235 steel with copper plating. These fittings, as a system with Zurn PEX® tube and Zurn PEX reinforcing rings are pressure rated at 160 PSI at 73°F, 100 PSI at 180°F, and 80 PSI at 200°F. These fittings are 3rd Party certified as complying with the following standards: NSF/ANSI Standard 61, NSF/ANSI Standard 372 (Low Lead), ASTM F1960, CSA B137.5

Accessories

- ____ QER3X 1/2" PEX Expansion Reinforcing Ring w/Stop
- ____ QEMT345 1960 Manual Expansion Tool Kit - 1/2" to 1"



QESTUB12XX

XL BRASS F1960 EXPANSION PEX x CLOSED,
12" STRAIGHT COPPER STUBOUT

SPECIFICATION SHEET

TAG _____

Dimensional Data (inches and [mm]) are Subject to Manufacturing Tolerances and Change Without Notice



Part Number	F1960 Expansion PEX Straight Copper Stubout 12" Long	Dimensions in In [mm]			
		A	B	C	D*
QESTUB12XX	1/2" EX PEX x 1/2" Nom. Copper	0.38 [10]	0.61 [16]	12.00 [305]	1/2" Nom. CU

*Copper Stubout is designed to accept Nominal copper fitting size

Engineering Specification: Zurn PEX® XL-LOW Lead Brass F1960 Expansion PEX x Closed 12" Straight Copper Stubout

The QESTUB12XX is used with Zurn Non-Barrier Pex tubing in potable water applications. Not for use in reverse osmosis systems or in areas with known localized aggressive water chemistries. Spun closed end allows for system testing before valves or fittings are installed. Manufactured from C12200 Copper and EcoBrass®, C69300. These fittings, as a system with Zurn PEX® tube and Zurn PEX reinforcing rings are pressure rated at 160 PSI at 73°F, 100 PSI at 180°F, and 80 PSI at 200°F. These fittings are 3rd Party certified as complying with the following standards: NSF/ANSI Standard 61, NSF/ANSI Standard 372 (Low Lead), ASTM F1960, CSA B137.5

Accessories

- ___ QER3X 1/2" PEX Expansion Reinforcing Ring w/Stop
- ___ QEMT345 F1960 Manual Expansion Tool Kit - 1/2" to 1"
- ___ QES128PW Escutcheon (White Plastic) for 1/2" CTS



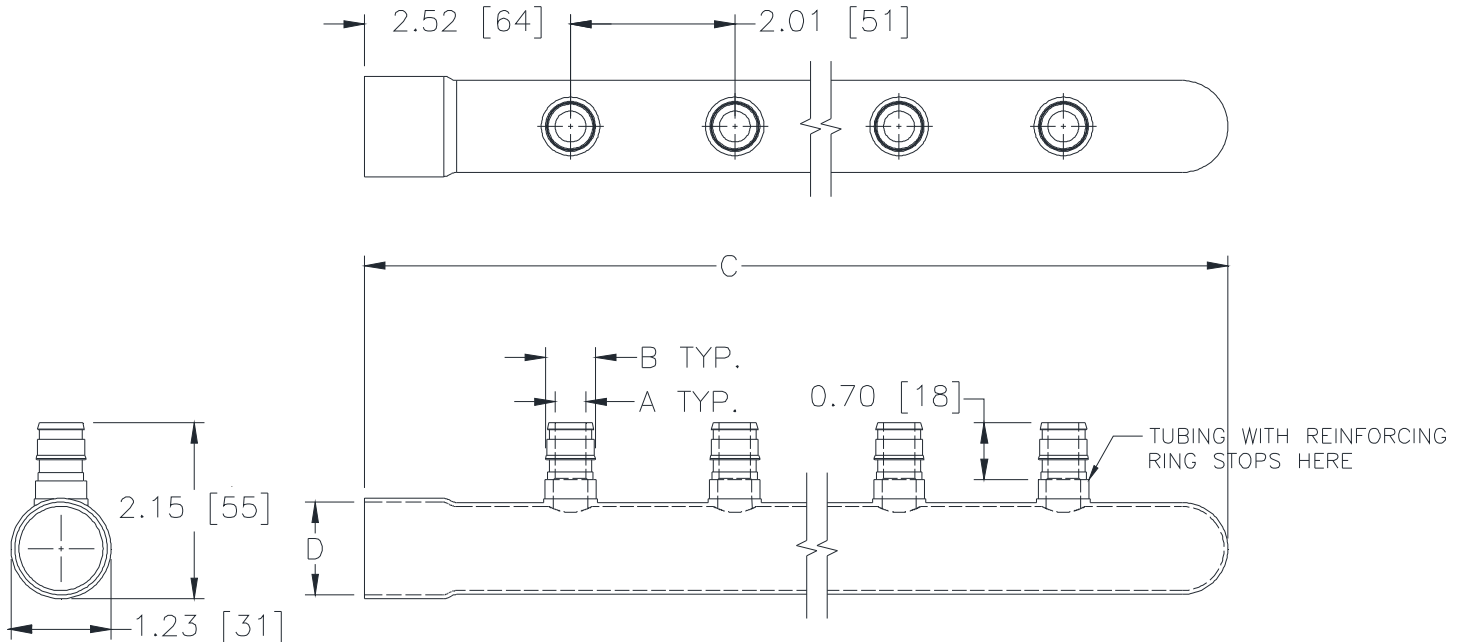
QECM53-GX

Copper Manifold - 1" Female Sweat x Closed with
1/2" XL Brass F1960 Expansion PEX Outlets

SPECIFICATION SHEET

TAG _____

Dimensional Data (inches and [mm]) are Subject to Manufacturing Tolerances and Change Without Notice



Part Number	Copper Manifold - 1" FSWT x Closed with 1/2" F1960 Expansion PEX Outlets	Dimensions in In [mm]			
		A	B	C	D*
QECM53-4GX	1" FSWT Inlet x Closed, (4) 1/2" EX PEX Outlets	0.38 [10]	0.61 [16]	10.55 [268]	1" CU FSWT
QECM53-6GX	1" FSWT Inlet x Closed, (6) 1/2" EX PEX Outlets	0.38 [10]	0.61 [16]	14.57 [370]	1" CU FSWT
QECM53-8GX	1" FSWT Inlet x Closed, (8) 1/2" EX PEX Outlets	0.38 [10]	0.61 [16]	18.58 [472]	1" CU FSWT
QECM53-10GX	1" FSWT Inlet x Closed, (10) 1/2" EX PEX Outlets	0.38 [10]	0.61 [16]	22.60 [574]	1" CU FSWT
QECM53-12GX	1" FSWT Inlet x Closed, (12) 1/2" EX PEX Outlets	0.38 [10]	0.61 [16]	26.61 [676]	1" CU FSWT

*Copper manifold inlet is designed to accept Nominal copper tube size

Engineering Specification: Zurn PEX® Copper Manifold - 1" FSWT x Closed with 1/2" XL Brass F1960 Expansion PEX Outlets
The QECM53-GX is used with Zurn Non-Barrier Pex tubing in potable water applications. Not for use in reverse osmosis systems or in areas with known localized aggressive water chemistries. Manufactured from C12200 Copper and EcoBrass®, C69300. These manifolds, as a system with Zurn PEX® tube and Zurn PEX reinforcing rings are pressure rated at 160 PSI at 73°F, 100 PSI at 180°F, and 80 PSI at 200°F. These manifolds are 3rd Party certified as complying with the following standards: NSF/ANSI Standard 61, NSF/ANSI Standard 372 (Low Lead), ASTM F1960, CSA B137.5

Accessories

- ___ QER3X 1/2" PEX Expansion Reinforcing Ring w/Stop
- ___ QEMT345 F1960 Manual Expansion Tool Kit - 1/2" to 1"



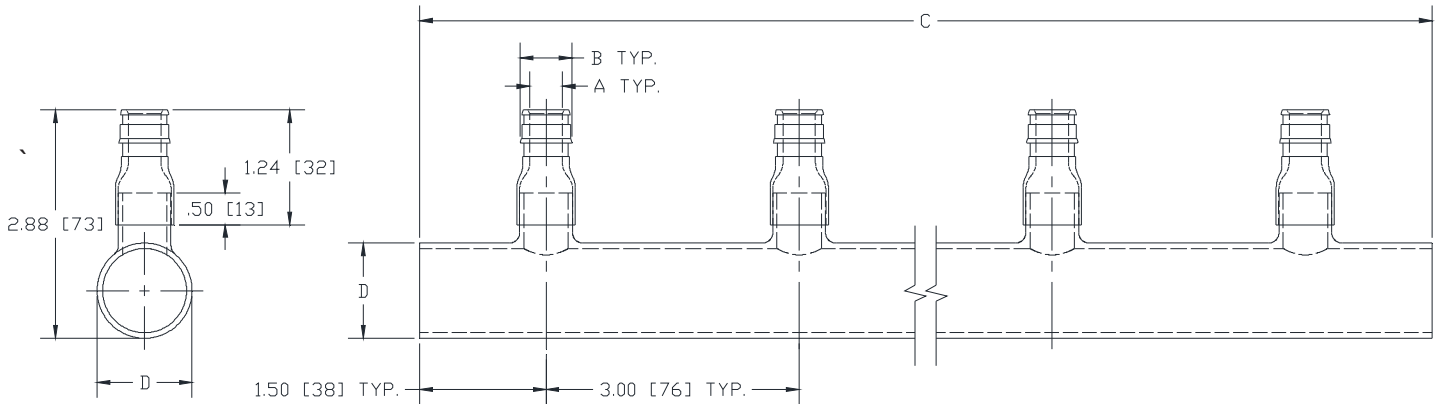
QECM553-24GX

SPECIFICATION SHEET

Copper Field Cut Manifold - 1" CTS x 1" CTS with
(24) 1/2" XL Brass F1960 Expansion PEX Outlets

TAG _____

Dimensional Data (inches and [mm]) are Subject to Manufacturing Tolerances and Change Without Notice



Part Number	1" Copper Manifold with XL Brass F1960 Expansion PEX Outlets	Dimensions in In [mm]			
		A	B	C	D*
QECM553-24GX	1" Nom. Copper x (24) 1/2" EX PEX Outlets	0.38 [10]	0.61 [16]	72.00 [1829]	1.125 [29]

*Copper manifold inlet is designed to accept 1" Nominal copper fitting size

Engineering Specification: Zurn PEX® Copper Field Cut Manifold - 1" CTS x 1" CTS with (24) 1/2" XL Brass F1960 Expansion PEX Outlets

The QECM553-24GX can be cut in the field to the desired number of outlets and is used with Zurn Non-Barrier Pex tubing in potable water applications. Not for use in reverse osmosis systems or in areas with known localized aggressive water chemistries. Manufactured from C12200 Type L Copper and EcoBrass®,C69300. All brazing shall be low lead. These manifolds, as a system with Zurn PEX® tube and Zurn PEX reinforcing rings are pressure rated at 160 PSI at 73°F, 100 PSI at 180°F, and 80 PSI at 200°F. These manifolds are 3rd Party certified as complying with the following standards: NSF/ANSI Standard 61, NSF/ANSI Standard 372 (Low Lead), ASTM F1960, CSA B137.5

Accessories

- ___ QER3X 1/2" PEX Expansion Reinforcing Ring w/Stop
- ___ QEMT345 F1960 Manual Expansion Tool Kit - 1/2" to 1"
- ___ QE778GX 3/4" XL Brass F1960 Expansion PEX x 1" Female Sweat Adapter
- ___ QE800GX 1" XL Brass F1960 Expansion PEX x 1" Female Sweat Adapter

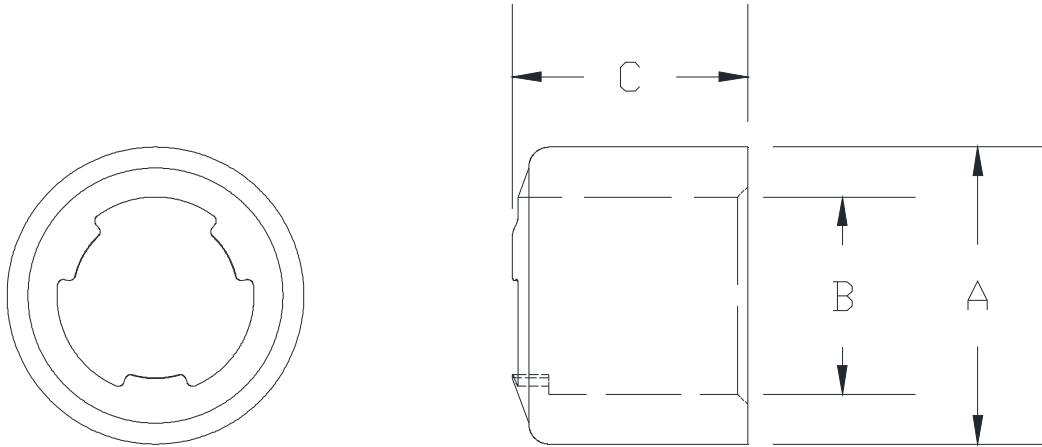


QER_X

SPECIFICATION SHEET

F1960 EXPANSION PEX REINFORCING RING WITH STOP TAG _____

Dimensional Data (inches and [mm]) are Subject to Manufacturing Tolerances and Change Without Notice



Part Number	F1960 Expansion PEX Reinforcing Ring w/Stop	Dimensions in Inches [mm]		
		A	B	C
QER2X	3/8" EX PEX	0.73 [19]	0.49 [12]	0.59 [15]
QER3X	1/2" EX PEX	0.88 [22]	0.63 [16]	0.68 [17]
QER4X	3/4" EX PEX	1.13 [29]	0.88 [22]	0.92 [23]
QER5X	1" EX PEX	1.42 [36]	1.13 [29]	1.17 [30]
QER6X	1-1/4" EX PEX	1.66 [42]	1.39 [35]	1.41 [36]
QER7X	1-1/2" EX PEX	1.92 [49]	1.64 [42]	1.67 [42]
QER8X	2" EX PEX	2.63 [67]	2.15 [55]	2.03 [52]

Engineering Specification: Zurn PEX® F1960 Expansion PEX Reinforcing Ring w/Stop

The QER_X is used with Zurn Non-Barrier Pex tubing in potable water applications. Molded from PEX with integral positioning tabs. These expansion reinforcing rings, as a system with Zurn PEX® tube and Zurn PEX fittings are pressure rated at 160 PSI at 73°F, 100 PSI at 180°F, and 80 PSI at 200°F.

Accessories

___ QEMT345

F1960 Manual Expansion Tool Kit - 1/2" to 1"

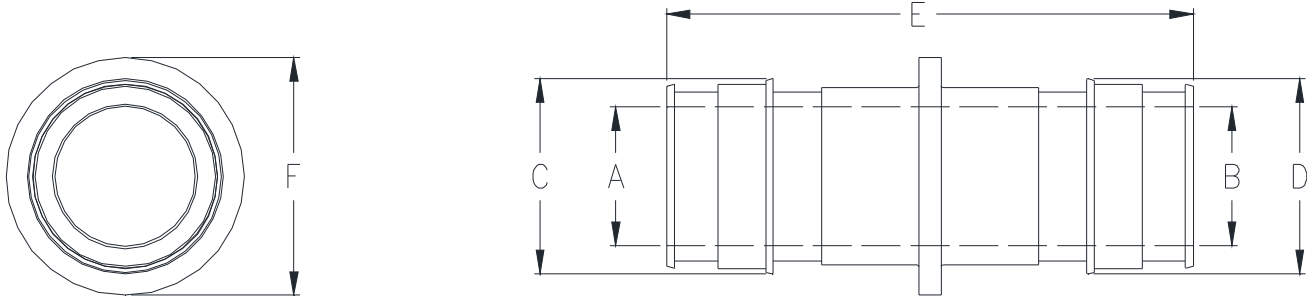
**QEPC_X**

CR POLYMER F1960 EXPANSION PEX COUPLING

SPECIFICATION SHEET

TAG _____

Dimensional Data (inches and [mm]) are Subject to Manufacturing Tolerances and Change Without Notice



Part Number	CR F1960 Expansion PEX Coupling size	Dimensions in Inches [mm]					
		A	B	C	D	E	F
QEPC33X	1/2" EX PEX x 1/2" EX PEX	0.39 [10]	0.39 [10]	0.61 [16]	0.61 [16]	1.58 [40]	0.87 [22]
QEPC43X	3/4" EX PEX x 1/2" EX PEX	0.59 [15]	0.39 [10]	0.87 [22]	0.61 [16]	1.81 [46]	1.18 [30]
QEPC44X	3/4" EX PEX x 3/4" EX PEX	0.59 [15]	0.59 [15]	0.87 [22]	0.87 [22]	2.05 [52]	1.18 [30]
QEPC54X	1" EX PEX x 3/4" EX PEX	0.79 [20]	0.59 [15]	1.11 [28]	0.87 [22]	2.34 [59]	1.50 [38]
QEPC55X	1" EX PEX x 1" EX PEX	0.79 [20]	0.79 [20]	1.11 [28]	1.11 [28]	2.58 [66]	1.50 [38]
QEPC64X	1-1/4" EX PEX x 3/4" EX PEX	0.97 [25]	0.59 [15]	1.36 [34]	0.87 [22]	2.61 [66]	1.70 [43]
QEPC65X	1-1/4" EX PEX x 1" EX PEX	0.97 [25]	0.79 [20]	1.36 [34]	1.11 [28]	2.84 [72]	1.70 [43]
QEPC66X	1-1/4" EX PEX x 1-1/4" EX PEX	0.97 [25]	0.97 [25]	1.36 [34]	1.36 [34]	3.11 [79]	1.70 [43]
QEPC74X	1-1/2" EX PEX x 3/4" EX PEX	1.08 [28]	0.59 [15]	1.49 [38]	0.87 [22]	2.87 [73]	1.81 [46]
QEPC75X	1-1/2" EX PEX x 1" EX PEX	1.08 [28]	0.79 [20]	1.49 [38]	1.11 [28]	3.10 [79]	1.81 [46]
QEPC76X	1-1/2" EX PEX x 1-1/4" EX PEX	1.08 [28]	0.97 [25]	1.49 [38]	1.36 [34]	3.37 [86]	1.81 [46]
QEPC77X	1-1/2" EX PEX x 1-1/2" EX PEX	1.08 [28]	1.08 [28]	1.49 [38]	1.49 [38]	3.63 [92]	1.81 [46]
QEPC87X	2" EX PEX x 1-1/2" EX PEX	1.48 [38]	1.08 [28]	2.08 [53]	1.49 [38]	4.03 [104]	2.52 [64]
QEPC88X	2" EX PEX x 2" EX PEX	1.48 [38]	1.48 [38]	2.08 [53]	2.08 [53]	4.55 [116]	2.52 [64]

Engineering Specification: Zurn PEX® CR® Polymer F1960 Expansion PEX Coupling

The QEPC_X is used to connect Zurn Non-Barrier PEX tubing together in potable water applications. Molded from PPSU, these fittings, as a system with Zurn PEX® tube and Zurn PEX reinforcing rings are pressure rated at 160 PSI at 73°F, 100 PSI at 180°F, and 80 PSI at 200°F. These fittings are 3rd party certified as complying with the following standards: NSF/ANSI Standard 14, NSF/ANSI Standard 61, NSF/ANSI Standard 372 (Low Lead), ASTM F1960, CSA B137.5.

Accessories

- ___ QER3X 1/2" PEX Expansion Reinforcing Ring w/ stop
- ___ QER4X 3/4" PEX Expansion Reinforcing Ring w/ stop
- ___ QER5X 1" PEX Expansion Reinforcing Ring w/ stop
- ___ QER6X 1-1/4" PEX Expansion Reinforcing Ring w/ stop
- ___ QER7X 1-1/2" PEX Expansion Reinforcing Ring w/ stop
- ___ QER8X 2" PEX Expansion Reinforcing Ring w/ stop
- ___ QEMT345 F1960 Manual Expansion Tool Kit - 1/2" to 1"

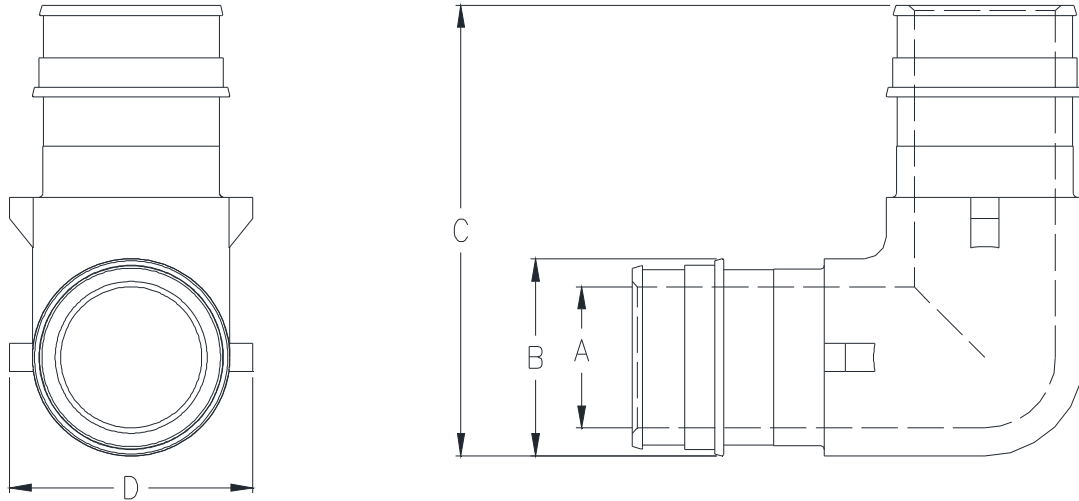
**QEPE_X**

CR POLYMER F1960 EXPANSION PEX ELBOW

SPECIFICATION SHEET

TAG _____

Dimensional Data (inches and [mm]) are Subject to Manufacturing Tolerances and Change Without Notice



Part Number	CR F1960 Expansion PEX Elbow size	Dimensions in Inches [mm]			
		A	B	C	D
QEPE33X	1/2" EXPEX x 1/2" EXPEX	0.39 [10]	0.61 [16]	1.53 [39]	0.81 [21]
QEPE44X	3/4" EXPEX x 3/4" EXPEX	0.59 [15]	0.87 [22]	2.02 [51]	1.13 [29]
QEPE55X	1" EXPEX x 1" EXPEX	0.79 [20]	1.11 [28]	2.52 [64]	1.36 [35]
QEPE66X	1-1/4" EXPEX x 1-1/4" EXPEX	0.97 [25]	1.36 [34]	3.12 [79]	1.70 [43]
QEPE77X	1-1/2" EXPEX x 1-1/2" EXPEX	1.08 [28]	1.49 [38]	3.66 [93]	1.85 [47]
QEPE88X	2" EXPEX x 2" EXPEX	1.48 [38]	2.08 [53]	4.72 [120]	2.76 [70]

Engineering Specification: Zurn PEX® CR Polymer F1960 Expansion PEX Elbow

The QEPE_X is used to make sharp 90° bends in Zurn Non-Barrier PEX tubing in potable water applications. Molded from PPSU, these fittings, as a system with Zurn PEX® tube and Zurn PEX reinforcing rings are pressure rated at 160 PSI at 73°F, 100 PSI at 180°F, and 80 PSI at 200°F. These fittings are 3rd party certified as complying with the following standards: NSF/ANSI Standard 14, NSF/ANSI Standard 61, NSF/ANSI Standard 372 (Low Lead), ASTM F1960, CSA B137.5.

Accessories

___ QER3X	1/2" PEX Expansion Reinforcing Ring w/ stop
___ QER4X	3/4" PEX Expansion Reinforcing Ring w/ stop
___ QER5X	1" PEX Expansion Reinforcing Ring w/ stop
___ QER6X	1-1/4" PEX Expansion Reinforcing Ring w/ stop
___ QER7X	1-1/2" PEX Expansion Reinforcing Ring w/ stop
___ QER8X	2" PEX Expansion Reinforcing Ring w/ stop
___ QEMT345	F1960 Manual Expansion Tool Kit - 1/2" to 1"



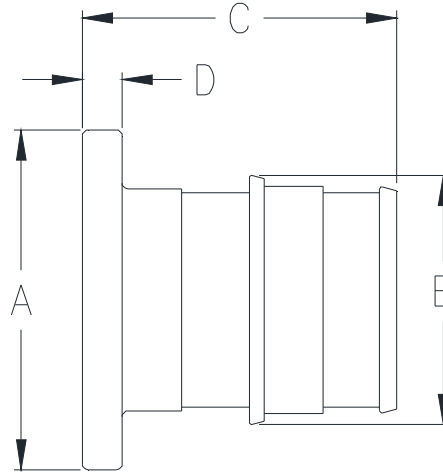
QEP_P

CR POLYMER F1960 EXPANSION PEX TEST PLUG

SPECIFICATION SHEET

TAG _____

Dimensional Data (inches and [mm]) are Subject to Manufacturing Tolerances and Change Without Notice



Part Number	CR F1960 Expansion PEX Test Plug size	Dimensions in In [mm]			
		A	B	C	D
QEP3P	1/2" EX PEX	0.87 [22]	0.61 [16]	0.86 [22]	0.14 [4]
QEP4P	3/4" EX PEX	1.18 [30]	0.87 [22]	1.09 [28]	0.14 [4]
QEP5P	1" EX PEX	1.50 [38]	1.11 [28]	1.39 [35]	0.20 [5]
QEP6P	1-1/4" EX PEX	1.70 [43]	1.36 [34]	1.65 [42]	0.20 [5]
QEP7P	1-1/2" EX PEX	1.81 [46]	1.49 [38]	1.91 [49]	0.20 [5]
QEP8P	2" EX PEX	2.52 [64]	2.08 [48]	2.39 [61]	0.24 [6]

Engineering Specification: Zurn PEX® CR Polymer F1960 Expansion PEX Test Plug

The QEP__P is used with Zurn Non-Barrier PEX tubing in potable water applications. Molded from PPSU, these fittings, as a system with Zurn PEX® tube and Zurn PEX reinforcing rings are pressure rated at 160 PSI at 73°F, 100 PSI at 180°F, and 80 PSI at 200°F. These fittings are 3rd party certified as complying with the following standards: NSF/ANSI Standard 14, NSF/ANSI Standard 61, NSF/ANSI Standard 372 (Low Lead), ASTM F1960, CSA B137.5.

Accessories

- ___ QER3X 1/2" PEX Expansion Reinforcing Ring w/ stop
- ___ QER4X 3/4" PEX Expansion Reinforcing Ring w/ stop
- ___ QER5X 1" PEX Expansion Reinforcing Ring w/ stop
- ___ QER6X 1-1/4" PEX Expansion Reinforcing Ring w/ stop
- ___ QER7X 1-1/2" PEX Expansion Reinforcing Ring w/ stop
- ___ QER8X 2" PEX Expansion Reinforcing Ring w/ stop
- ___ QEMT345 F1960 Manual Expansion Tool Kit - 1/2" to 1"

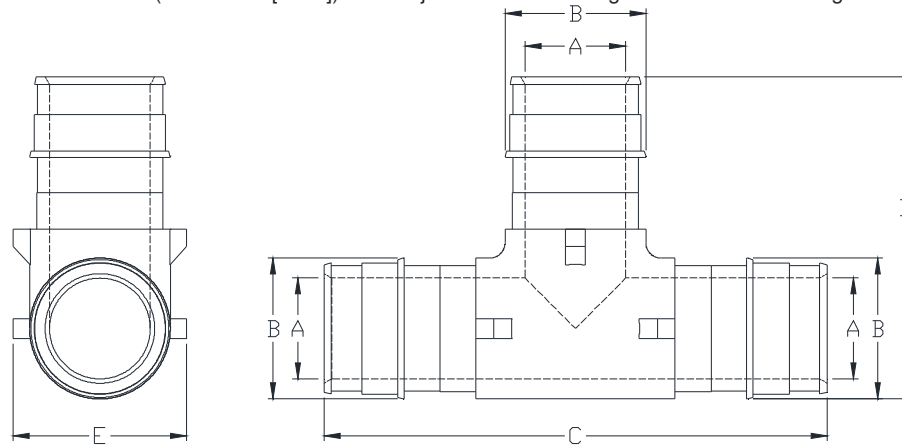


QEPT_X
CR POLYMER F1960 EXPANSION PEX TEE

SPECIFICATION SHEET

TAG _____

Dimensional Data (inches and [mm]) are Subject to Manufacturing Tolerances and Change Without Notice



Part Number	CR Expansion Tee size (EX PEX x EX PEX x EX PEX)	C	D	E
		in [mm]	in [mm]	in [mm]
QEPT333X	1/2" x 1/2" x 1/2"	2.44 [62]	1.45 [37]	.83 [21]
QEPT334X	1/2" x 1/2" x 3/4"	2.36 [60]	1.76 [45]	1.18 [30]
QEPT433X	3/4" x 1/2" x 1/2"	2.52 [64]	1.73 [44]	1.18 [30]
QEPT434X	3/4" x 1/2" x 3/4"	2.78 [71]	2.01 [51]	1.18 [30]
QEPT443X	3/4" x 3/4" x 1/2"	2.83 [72]	1.73 [44]	1.18 [30]
QEPT444X	3/4" x 3/4" x 3/4"	3.17 [80]	1.89 [48]	1.18 [30]
QEPT445X	3/4" x 3/4" x 1"	3.46 [88]	2.31 [59]	1.50 [38]
QEPT533X	1" x 1/2" x 1/2"	3.17 [80]	1.93 [49]	1.50 [38]
QEPT544X	1" x 3/4" x 3/4"	3.39 [86]	2.24 [57]	1.50 [38]
QEPT545X	1" x 3/4" x 1"	3.62 [92]	2.48 [63]	1.50 [38]
QEPT553X	1" x 1" x 1/2"	3.43 [87]	1.93 [49]	1.50 [38]
QEPT554X	1" x 1" x 3/4"	3.62 [92]	2.24 [57]	1.50 [38]
QEPT555X	1" x 1" x 1"	3.94 [100]	2.52 [64]	1.50 [38]
QEPT654X	1-1/4" x 1" x 3/4"	4.07 [104]	2.49 [63]	1.70 [43]
QEPT655X	1-1/4" x 1" x 1"	4.35 [111]	2.73 [69]	1.70 [43]
QEPT663X	1-1/4" x 1-1/4" x 1/2"	4.13 [105]	2.25 [57]	1.70 [43]
QEPT664X	1-1/4" x 1-1/4" x 3/4"	4.45 [113]	2.49 [63]	1.70 [43]
QEPT665X	1-1/4" x 1-1/4" x 1"	4.72 [120]	2.73 [69]	1.70 [43]
QEPT666X	1-1/4" x 1-1/4" x 1-1/4"	4.88 [124]	3.12 [79]	1.70 [43]
QEPT754X	1-1/2" x 1" x 3/4"	4.36 [111]	2.69 [68]	1.85 [47]
QEPT755X	1-1/2" x 1" x 1"	4.61 [117]	2.91 [74]	1.85 [47]
QEPT757X	1-1/2" x 1" x 1-1/2"	5.30 [135]	3.66 [93]	1.85 [47]
QEPT764X	1-1/2" x 1-1/4" x 3/4"	4.52 [115]	2.69 [68]	1.85 [47]
QEPT765X	1-1/2" x 1-1/4" x 1"	4.87 [124]	2.91 [74]	1.85 [47]
QEPT766X	1-1/2" x 1-1/4" x 1-1/4"	5.19 [132]	3.19 [81]	1.85 [47]
QEPT773X	1-1/2" x 1-1/2" x 1/2"	4.57 [116]	2.46 [62]	1.85 [47]
QEPT774X	1-1/2" x 1-1/2" x 3/4"	4.88 [124]	2.69 [68]	1.85 [47]
QEPT775X	1-1/2" x 1-1/2" x 1"	5.16 [131]	2.91 [74]	1.85 [47]
QEPT776X	1-1/2" x 1-1/2" x 1-1/4"	5.55 [141]	3.19 [81]	1.85 [47]
QEPT777X	1-1/2" x 1-1/2" x 1-1/2"	5.83 [148]	3.66 [93]	1.85 [47]
QEPT874X	2" x 1-1/2" x 3/4"	5.46 [139]	3.32 [84]	2.52 [64]
QEPT875X	2" x 1-1/2" x 1"	5.78 [147]	3.52 [89]	2.52 [64]
QEPT876X	2" x 1-1/2" x 1-1/4"	6.09 [155]	3.91 [99]	2.52 [64]
QEPT877X	2" x 1-1/2" x 1-1/2"	6.17 [157]	4.11 [104]	2.52 [64]
QEPT878X	2" x 1-1/2" x 2"	6.92 [176]	4.72 [120]	2.52 [64]
QEPT883X	2" x 2" x 1/2"	5.59 [142]	3.08 [78]	2.52 [64]
QEPT884X	2" x 2" x 3/4"	5.91 [150]	3.32 [84]	2.52 [64]
QEPT885X	2" x 2" x 1"	6.22 [158]	3.52 [89]	2.52 [64]
QEPT886X	2" x 2" x 1-1/4"	6.54 [166]	3.91 [99]	2.52 [64]
QEPT887X	2" x 2" x 1-1/2"	6.77 [172]	4.11 [104]	2.52 [64]
QEPT888X	2" x 2" x 2"	7.36 [187]	4.72 [120]	2.52 [64]

TYPICAL CONNECTION SIZE		
Tee Port size	A	B
	in [mm]	in [mm]
1/2" EX PEX	0.39 [10]	0.61 [16]
3/4" EX PEX	0.59 [15]	0.87 [22]
1" EX PEX	0.79 [20]	1.11 [28]
1-1/4" EX PEX	0.97 [25]	1.36 [34]
1-1/2" EX PEX	1.08 [28]	1.49 [38]
2" EX PEX	1.48 [38]	2.08 [53]

Engineering Specification: Zurn PEX® CR Polymer F1960 Expansion PEX Tee.

The QEPT_X is used with Zurn Non-Barrier PEX tubing in potable water applications. Molded from PPSU, these fittings, as a system with Zurn PEX® tube and Zurn PEX reinforcing rings are pressure rated at 160 PSI at 73 °F, 100 PSI at 180 °F, and 80 PSI at 200 °F. These fittings are 3rd Party certified as complying with the following standards: NSF/ANSI Standard 14, NSF/ANSI Standard 61, NSF/ANSI Standard 372 (Low Lead), ASTM F1960, CSA B137.5.

Accessories

- ___ QER3X 1/2" PEX Expansion Reinforcing Ring w/Stop
- ___ QER4X 3/4" PEX Expansion Reinforcing Ring w/Stop
- ___ QER5X 1" PEX Expansion Reinforcing Ring w/Stop
- ___ QER6X 1-1/4" PEX Expansion Reinforcing Ring w/Stop
- ___ QER7X 1-1/2" PEX Expansion Reinforcing Ring w/Stop
- ___ QER8X 2" PEX Expansion Reinforcing Ring w/Stop
- ___ QEMT345 F1960 Manual Expansion Tool Kit - 1/2" to 1"



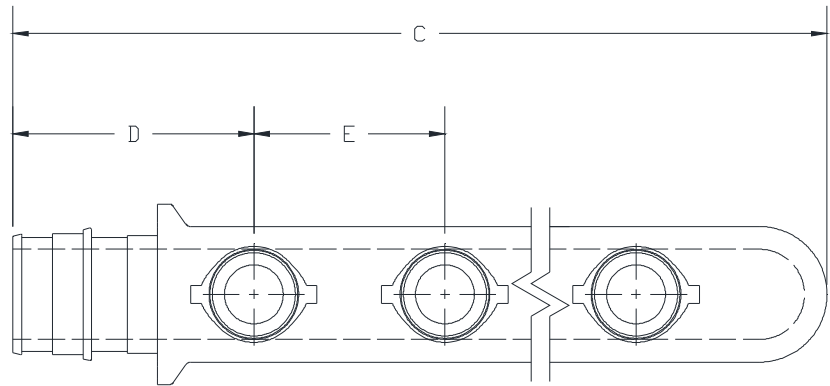
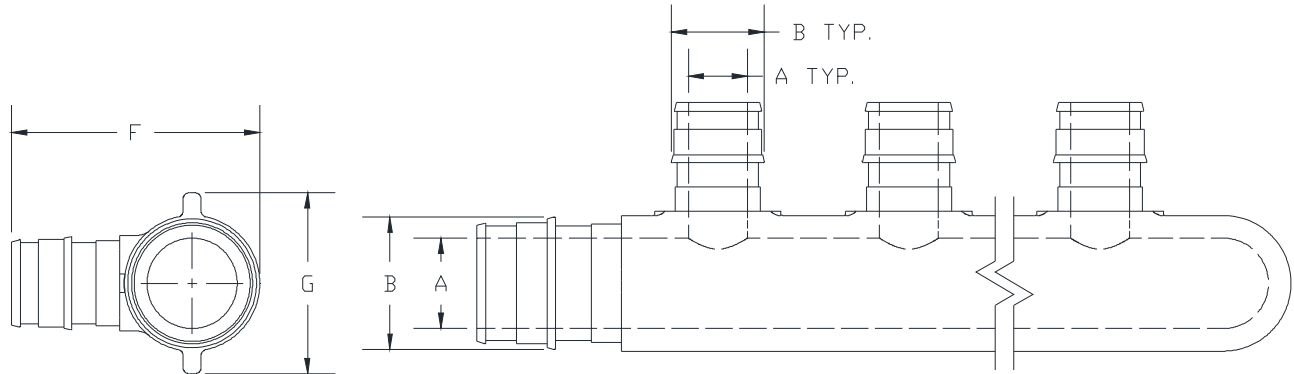
QEPMC_

**F1960 EXPANSION CR MULTIPOST TEE - EX PEX
MAIN x CLOSED WITH EX PEX OUTLETS**

SPECIFICATION SHEET

TAG _____

Dimensional Data (inches and [mm]) are Subject to Manufacturing Tolerances and Change Without Notice



TYPICAL CONNECTION SIZE		
Tee Port Size	A	B
	in [mm]	in [mm]
1/2" EX PEX	0.39 [10]	0.61 [16]
3/4" EX PEX	0.59 [15]	0.87 [22]
1" EX PEX	0.79 [20]	1.11 [28]
1-1/4" EX PEX	0.97 [25]	1.36 [34]

Part Number	CR Expansion Multiport Tee Size EX PEX Mains x EX PEX Outlets	Dimensions in Inches [mm]				
		C	D	E	F	G
QEPMC43-3	Mains 3/4" x Closed, (3) 1/2" Outlets	5.16 [131]	1.58 [40]	1.25 [32] TYP.	1.62 [41]	1.18 [30]
QEPMC43-4	Mains 3/4" x Closed, (4) 1/2" Outlets	6.41 [163]	1.58 [40]	1.25 [32] TYP.	1.62 [41]	1.18 [30]
QEPMC43-6	Mains 3/4" x Closed, (6) 1/2" Outlets	8.90 [226]	1.58 [40]	1.25 [32] TYP.	1.62 [41]	1.18 [30]
QEPMC53-4	Mains 1" x Closed, (4) 1/2" Outlets	6.92 [176]	1.81 [46]	1.25 [32] TYP.	1.84 [47]	1.50 [38]
QEPMC53-6	Mains 1" x Closed, (6) 1/2" Outlets	9.42 [239]	1.81 [46]	1.25 [32] TYP.	1.84 [47]	1.50 [38]
QEPMC64-3	Mains 1-1/4" x Closed, (3) 3/4" Outlets	7.42 [188]	2.34 [60]	1.75 [44] TYP.	2.29 [58]	1.69 [43]

Engineering Specification: Zurn PEX® CR Polymer F1960 Expansion Multiport Tee.

The QEPMC_ is used with Zurn Non-Barrier PEX tubing in potable water applications. Molded from PPSU, these fittings, as a system with Zurn PEX® tube and Zurn PEX reinforcing rings are pressure rated at 160 PSI at 73°F, 100 PSI at 180°F, and 80 PSI at 200°F. These fittings are 3rd Party certified as complying with the following standards: NSF/ANSI Standard 14, NSF/ANSI Standard 61, NSF/ANSI Standard 372 (Low Lead), ASTM F1960, CSA B137.5.

Accessories

- ___ QER3X 1/2" PEX Expansion Reinforcing Ring w/Stop
- ___ QER4X 3/4" PEX Expansion Reinforcing Ring w/Stop
- ___ QER5X 1" PEX Expansion Reinforcing Ring w/Stop
- ___ QER6X 1-1/4" PEX Expansion Reinforcing Ring w/Stop
- ___ QEMT345 F1960 Manual Expansion Tool Kit - 1/2" to 1"



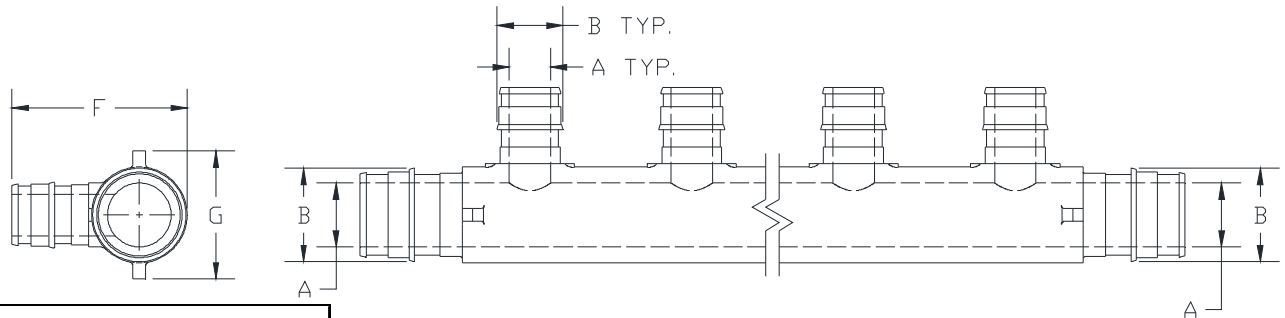
QEPMF_

**F1960 EXPANSION CR MULTIPOST TEE - FLOW-THRU
EX PEX MAINS WITH EX PEX OUTLETS**

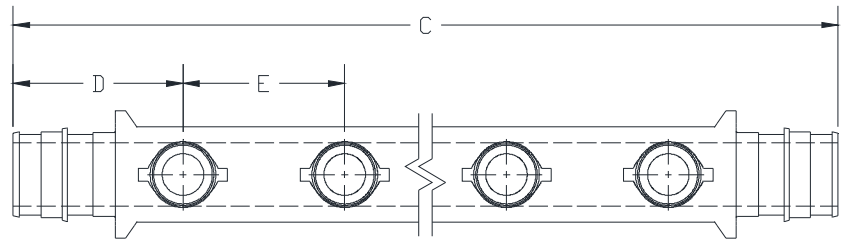
SPECIFICATION SHEET

TAG _____

Dimensional Data (inches and [mm]) are Subject to Manufacturing Tolerances and Change Without Notice



TYPICAL CONNECTION SIZE		
Tee Port Size	A	B
	in [mm]	in [mm]
1/2" EX PEX	0.39 [10]	0.61 [16]
3/4" EX PEX	0.59 [15]	0.87 [22]
1" EX PEX	0.79 [20]	1.11 [28]
1-1/4" EX PEX	0.97 [25]	1.36 [34]
2" EX PEX	1.48 [38]	2.08 [53]



Part Number	CR Expansion Multiport Tee Size EX PEX Mains x EX PEX Outlets	Dimensions in Inches [mm]				
		C	D	E	F	G
QEPMF443-2	Mains 3/4" x 3/4", (2) 1/2" Outlets	4.40 [112]	1.58 [40]	1.25 [32] TYP.	1.62 [41]	1.18 [30]
QEPMF443-3	Mains 3/4" x 3/4", (3) 1/2" Outlets	5.65 [144]	1.58 [40]	1.25 [32] TYP.	1.62 [41]	1.18 [30]
QEPMF443-4	Mains 3/4" x 3/4", (4) 1/2" Outlets	7.65 [194]	1.58 [40]	1.50 [38] TYP.	1.62 [41]	1.18 [30]
QEPMF443-6	Mains 3/4" x 3/4", (6) 1/2" Outlets	9.40 [239]	1.58 [40]	1.25 [32] TYP.	1.62 [41]	1.18 [30]
QEPMF543-3	Mains 1" x 3/4", (3) 1/2" Outlets	5.89 [150]	1.81 [46]	1.25 [32] TYP.	1.84 [47]	1.50 [38]
QEPMF543-4	Mains 1" x 3/4", (4) 1/2" Outlets	7.14 [181]	1.81 [46]	1.25 [32] TYP.	1.84 [47]	1.50 [38]
QEPMF543-6	Mains 1" x 3/4", (6) 1/2" Outlets	9.64 [245]	1.81 [46]	1.25 [32] TYP.	1.84 [47]	1.50 [38]
QEPMF553-4	Mains 1" x 1", (4) 1/2" Outlets	7.37 [187]	1.81 [46]	1.25 [32] TYP.	1.84 [47]	1.50 [38]
QEPMF553-6	Mains 1" x 1", (6) 1/2" Outlets	9.87 [251]	1.81 [46]	1.25 [32] TYP.	1.84 [47]	1.50 [38]
QEPMF664-3	Mains 1-1/4" x 1-1/4", (3) 3/4" Outlets	8.19 [208]	2.34 [60]	1.75 [44] TYP.	2.29 [58]	1.69 [43]
QEPMF885-3	Mains 2" x 2", (3) 1" Outlets	10.54 [268]	3.27 [83]	2.00 [51] TYP.	3.28 [83]	2.52 [64]

Engineering Specification: Zurn PEX® CR Polymer F1960 Expansion Multiport Tee.

The QEPMF_ is used with Zurn Non-Barrier PEX tubing in potable water applications. Molded from PPSU, these fittings, as a system with Zurn PEX® tube and Zurn PEX reinforcing rings are pressure rated at 160 PSI at 73°F, 100 PSI at 180°F, and 80 PSI at 200°F. These fittings are 3rd Party certified as complying with the following standards: NSF/ANSI Standard 14, NSF/ANSI Standard 61, NSF/ANSI Standard 372 (Low Lead), ASTM F1960, CSA B137.5.

Accessories

- ___ QER3X 1/2" PEX Expansion Reinforcing Ring w/Stop
- ___ QER4X 3/4" PEX Expansion Reinforcing Ring w/Stop
- ___ QER5X 1" PEX Expansion Reinforcing Ring w/Stop
- ___ QER6X 1-1/4" PEX Expansion Reinforcing Ring w/Stop
- ___ QER8X 2" PEX Expansion Reinforcing Ring w/Stop
- ___ QEMT345 F1960 Manual Expansion Tool Kit - 1/2" to 1"



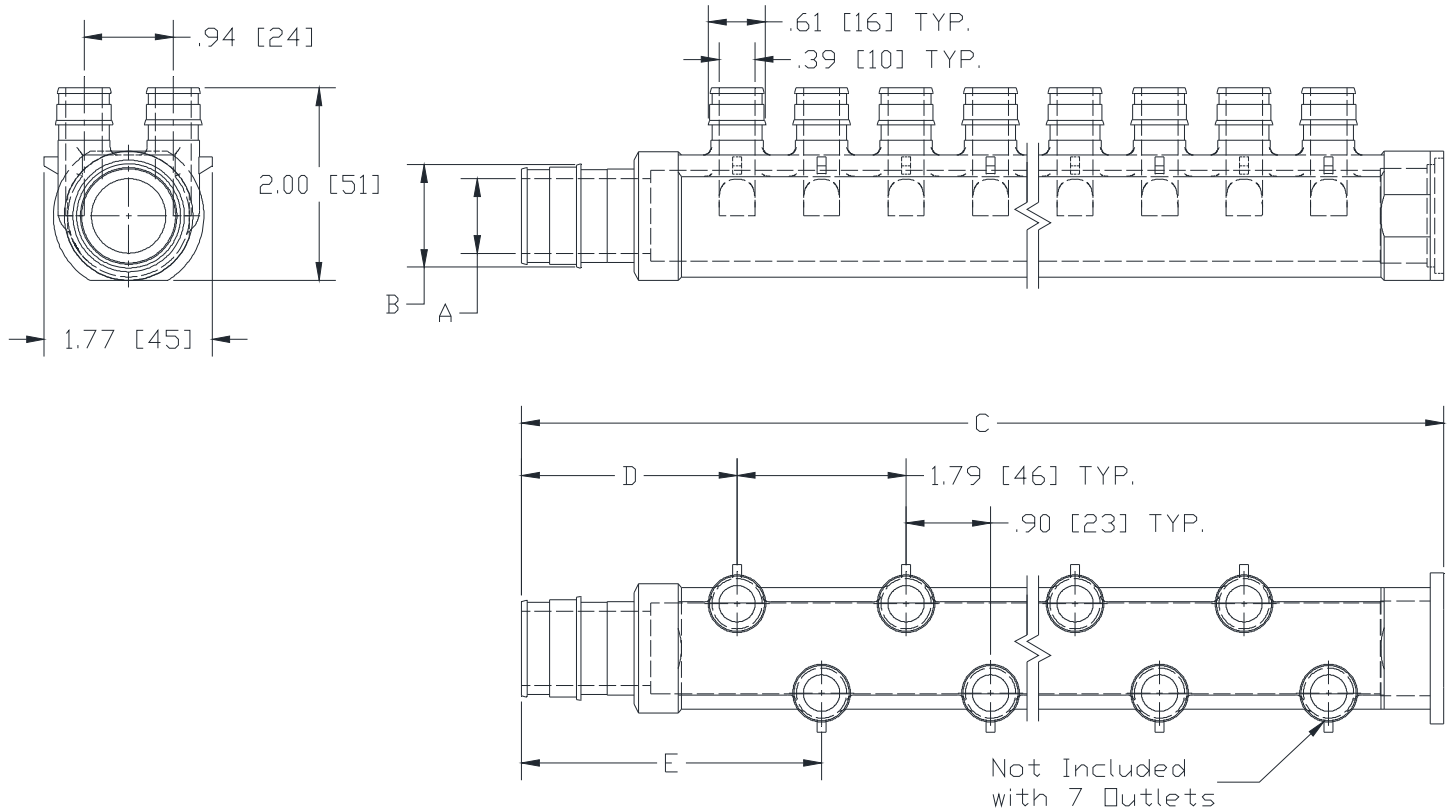
QEPMCD_

F1960 EXPANSION CR MULTIPORT TEE - EX PEX MAIN x CLOSED WITH EX PEX DOUBLE ROW OUTLETS

SPECIFICATION SHEET

TAG _____

Dimensional Data (inches and [mm]) are Subject to Manufacturing Tolerances and Change Without Notice



Part Number	CR Expansion Multiport Tee Size EX PEX Mains x EX PEX Outlets	Dimensions in Inches [mm]				
		A	B	C	D	E
QEPMCD43-7	Mains 3/4" x Closed, (7) 1/2" Outlets	0.59 [15]	0.87 [22]	8.64 [220]	2.05 [52]	2.94 [75]
QEPMCD43-8	Mains 3/4" x Closed, (8) 1/2" Outlets	0.59 [15]	0.87 [22]	9.54 [242]	2.05 [52]	2.94 [75]
QEPMCD53-7	Mains 1" x Closed, (7) 1/2" Outlets	0.79 [20]	1.11 [28]	8.88 [226]	2.28 [58]	3.18 [81]
QEPMCD53-8	Mains 1" x Closed, (8) 1/2" Outlets	0.79 [20]	1.11 [28]	9.77 [248]	2.28 [58]	3.18 [81]
QEPMCD53-10	Mains 1" x Closed, (10) 1/2" Outlets	0.79 [20]	1.11 [28]	11.57 [294]	2.28 [58]	3.18 [81]
QEPMCD53-12	Mains 1" x Closed, (12) 1/2" Outlets	0.79 [20]	1.11 [28]	13.36 [339]	2.28 [58]	3.18 [81]

Engineering Specification: Zurn PEX® CR Polymer F1960 Expansion Multiport Tee.

The QEPMCD_ is used with Zurn Non-Barrier PEX tubing in potable water applications. Molded from PPSU, these fittings, as a system with Zurn PEX® tube and Zurn PEX reinforcing rings are pressure rated at 160 PSI at 73°F, 100 PSI at 180°F, and 80 PSI at 200°F. These fittings are 3rd Party certified as complying with the following standards: NSF/ANSI Standard 14, NSF/ANSI Standard 61, NSF/ANSI Standard 372 (Low Lead), ASTM F1960, CSA B137.5.

Accessories

- ___ QER3X 1/2" PEX Expansion Reinforcing Ring w/Stop
- ___ QER4X 3/4" PEX Expansion Reinforcing Ring w/Stop
- ___ QER5X 1" PEX Expansion Reinforcing Ring w/Stop
- ___ QEMT345 F1960 Manual Expansion Tool Kit - 1/2" to 1"



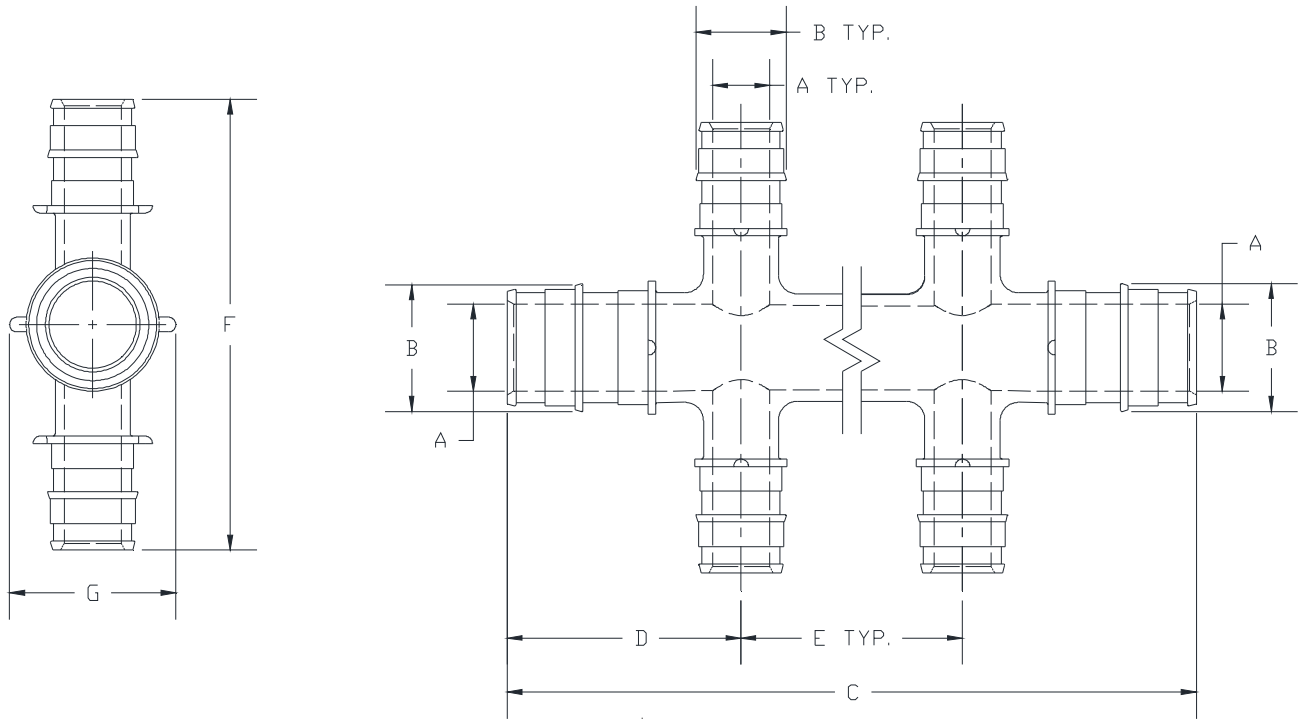
QEPMFO_

**F1960 EXPANSION CR MULTIPOST TEE - FLOW-THRU
EX PEX MAINS WITH OPPOSED EX PEX OUTLETS**

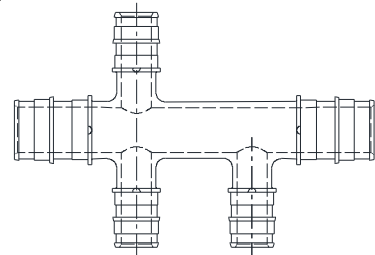
SPECIFICATION SHEET

TAG _____

Dimensional Data (inches and [mm]) are Subject to Manufacturing Tolerances and Change Without Notice



TYPICAL CONNECTION SIZE		
Tee Port Size	A	B
	in [mm]	in [mm]
1/2" EX PEX	0.39 [10]	0.61 [16]
3/4" EX PEX	0.59 [15]	0.87 [22]



3 Outlet shown for reference

Part Number	CR Expansion Multiport Tee Size EX PEX Mains x EX PEX Outlets	Dimensions in Inches [mm]				
		C	D	E	F	G
QEPMFO443-3	Mains 3/4" x 3/4", (3) 1/2" Outlets	4.40 [112]	1.58 [40]	1.25 [32] TYP.	2.36 [60]	1.18 [30]
QEPMFO443-4	Mains 3/4" x 3/4", (4) 1/2" Outlets	4.40 [112]	1.58 [40]	1.25 [32] TYP.	2.36 [60]	1.18 [30]
QEPMFO443-6	Mains 3/4" x 3/4", (6) 1/2" Outlets	5.65 [144]	1.58 [40]	1.25 [32] TYP.	2.36 [60]	1.18 [30]

Engineering Specification: Zurn PEX® CR Polymer F1960 Expansion Multiport Tee.

The QEPMFO_ is used with Zurn Non-Barrier PEX tubing in potable water applications. Molded from PPSU, these fittings, as a system with Zurn PEX® tube and Zurn PEX reinforcing rings are pressure rated at 160 PSI at 73°F, 100 PSI at 180°F, and 80 PSI at 200°F. These fittings are 3rd Party certified as complying with the following standards: NSF/ANSI Standard 14, NSF/ANSI Standard 61, NSF/ANSI Standard 372 (Low Lead), ASTM F1960, CSA B137.5.

Accessories

- ___ QER3X 1/2" PEX Expansion Reinforcing Ring w/Stop
- ___ QER4X 3/4" PEX Expansion Reinforcing Ring w/Stop
- ___ QEMT345 F1960 Manual Expansion Tool Kit - 1/2" to 1"



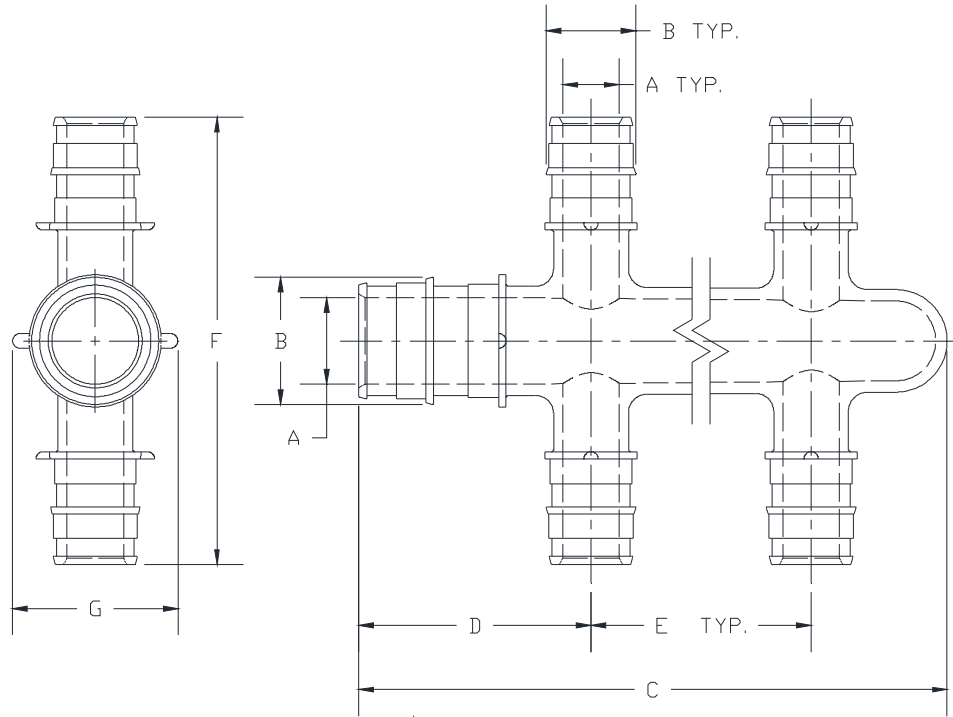
QEPMCO_

F1960 EXPANSION CR MULTIPORT TEE - EX PEX
MAIN x CLOSED WITH OPPOSED EX PEX OUTLETS

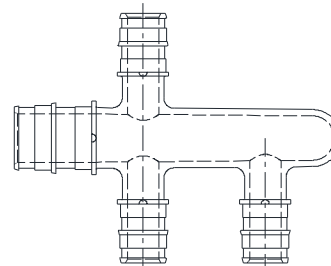
SPECIFICATION SHEET

TAG _____

Dimensional Data (inches and [mm]) are Subject to Manufacturing Tolerances and Change Without Notice



TYPICAL CONNECTION SIZE		
Tee Port Size	A	B
	in [mm]	in [mm]
1/2" EX PEX	0.39 [10]	0.61 [16]
3/4" EX PEX	0.59 [15]	0.87 [22]



3 Outlet shown for reference

Part Number	CR Expansion Multiport Tee Size EX PEX Mains x EX PEX Outlets	Dimensions in Inches [mm]				
		C	D	E	F	G
QEPMCO43-3	Mains 3/4" x Closed, (3) 1/2" Opposed Outlets	3.91 [99]	1.58 [40]	1.25 [32] TYP.	2.36 [60]	1.18 [30]
QEPMCO43-4	Mains 3/4" x Closed, (4) 1/2" Opposed Outlets	3.91 [99]	1.58 [40]	1.25 [32] TYP.	2.36 [60]	1.18 [30]
QEPMCO43-8	Mains 3/4" x Closed, (8) 1/2" Opposed Outlets	6.41 [163]	1.58 [40]	1.25 [32] TYP.	2.36 [60]	1.18 [30]

Engineering Specification: Zurn PEX® CR Polymer F1960 Expansion Multiport Tee.

The QEPMCO_ is used with Zurn Non-Barrier PEX tubing in potable water applications. Molded from PPSU, these fittings, as a system with Zurn PEX® tube and Zurn PEX reinforcing rings are pressure rated at 160 PSI at 73°F, 100 PSI at 180°F, and 80 PSI at 200°F. These fittings are 3rd Party certified as complying with the following standards: NSF/ANSI Standard 14, NSF/ANSI Standard 61, NSF/ANSI Standard 372 (Low Lead), ASTM F1960, CSA B137.5.

Accessories

- ___ QER3X 1/2" PEX Expansion Reinforcing Ring w/Stop
- ___ QER4X 3/4" PEX Expansion Reinforcing Ring w/Stop
- ___ QEMT345 F1960 Manual Expansion Tool Kit - 1/2" to 1"



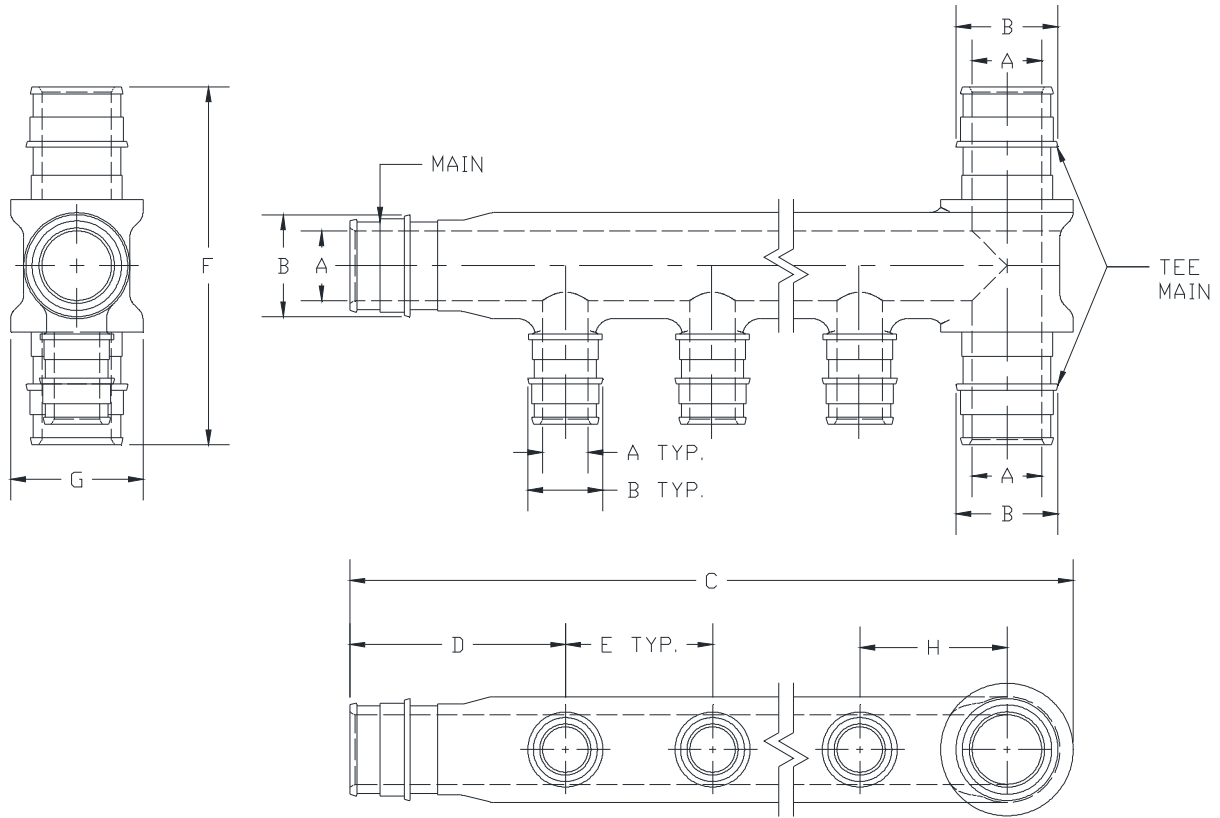
QEPMFV_

F1960 EXPANSION CR MULTIPOST TEE - VERTICAL FLOW- THRU - EX PEX MAIN x EX PEX TEE MAIN WITH EX PEX OUTLETS

SPECIFICATION SHEET

TAG _____

Dimensional Data (inches and [mm]) are Subject to Manufacturing Tolerances and Change Without Notice



TYPICAL CONNECTION SIZE		
Tee Port Size	A	B
	in [mm]	in [mm]
1/2" EX PEX	0.39 [10]	0.61 [16]
3/4" EX PEX	0.59 [15]	0.87 [22]

Part Number	CR Expansion Multipost Tee Size EX PEX Main x EX PEX Mains x EX PEX Outlets	Dimensions in Inches [mm]					
		C	D	E	F	G	H
QEPMFV4443-3	Mains 3/4" x (2) 3/4" Tee, (3) 1/2" Outlets	6.24 [159]	1.58 [40]	1.25 [32]	2.82 [72]	1.18 [30]	1.58 [40]
QEPMFV4443-4	Mains 3/4" x (2) 3/4" Tee, (4) 1/2" Outlets	7.49 [190]	1.58 [40]	1.25 [32]	2.82 [72]	1.18 [30]	1.58 [40]

Engineering Specification: Zurn PEX® CR Polymer F1960 Expansion Multipost Tee.

The QEPMFV_ is used with Zurn Non-Barrier PEX tubing in potable water applications. Molded from PPSU, these fittings, as a system with Zurn PEX® tube and Zurn PEX reinforcing rings are pressure rated at 160 PSI at 73°F, 100 PSI at 180°F, and 80 PSI at 200°F. These fittings are 3rd Party certified as complying with the following standards: NSF/ANSI Standard 14, NSF/ANSI Standard 61, NSF/ANSI Standard 372 (Low Lead), ASTM F1960, CSA B137.5.

Accessories

- ___ QER3X 1/2" PEX Expansion Reinforcing Ring w/Stop
- ___ QER4X 3/4" PEX Expansion Reinforcing Ring w/Stop
- ___ QEMT345 F1960 Manual Expansion Tool Kit - 1/2" to 1"



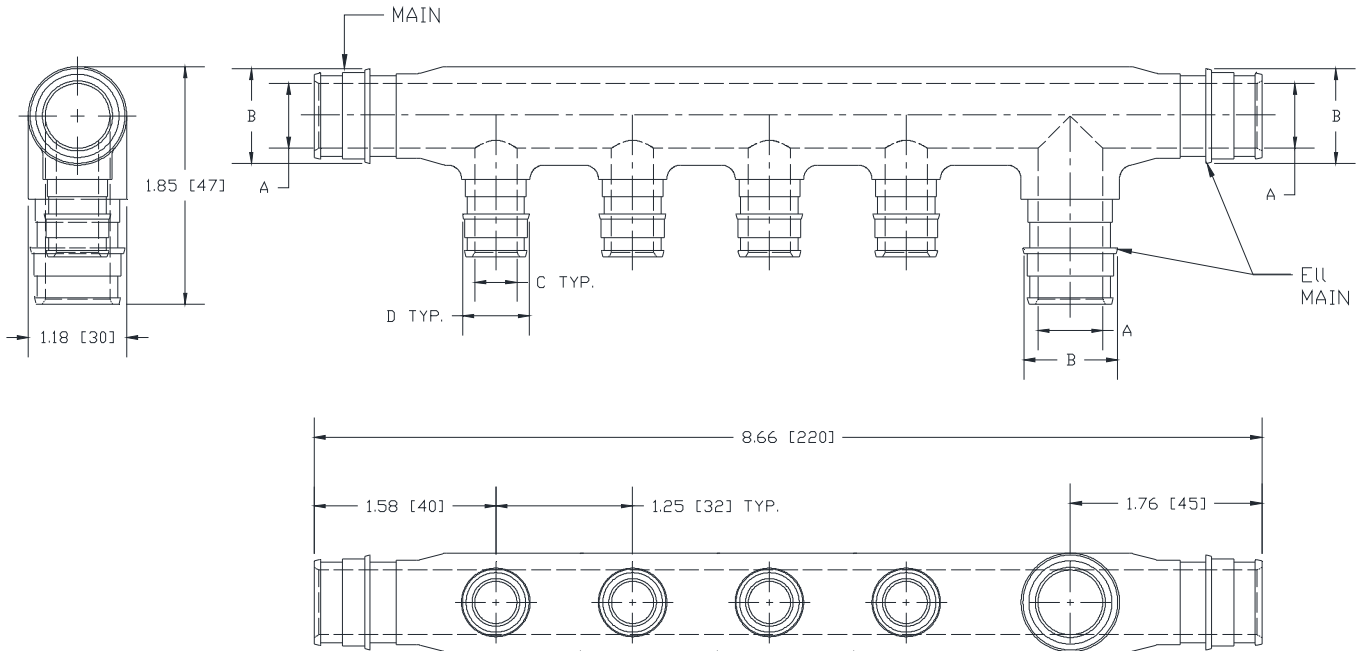
QEPMFH_

F1960 EXPANSION CR MULTI PORT TEE - HORIZONTAL
 FLOW-THRU - EX PEX MAIN x EX PEX ELL MAIN WITH
 EX PEX OUTLETS

SPECIFICATION SHEET

TAG _____

Dimensional Data (inches and [mm]) are Subject to Manufacturing Tolerances and Change Without Notice



Part Number	CR Expansion Multiport Tee Size EX PEX Main x EX PEX Mains x EX PEX Outlets	Dimension In Inches [mm]			
		A	B	C	D
QEPMFH4443-4	Mains 3/4" x (2) 3/4" Ell, (4) 1/2" Outlets	0.59 [15]	0.87 [22]	0.39 [10]	0.61 [16]

Engineering Specification: Zurn PEX® CR Polymer F1960 Expansion Multiport Tee.

The QEPMFH_ is used with Zurn Non-Barrier PEX tubing in potable water applications. Molded from PPSU, these fittings, as a system with Zurn PEX® tube and Zurn PEX reinforcing rings are pressure rated at 160 PSI at 73°F, 100 PSI at 180°F, and 80 PSI at 200°F. These fittings are 3rd Party certified as complying with the following standards: NSF/ANSI Standard 14, NSF/ANSI Standard 61, NSF/ANSI Standard 372 (Low Lead), ASTM F1960, CSA B137.5.

Accessories

- ___ QER3X 1/2" PEX Expansion Reinforcing Ring w/Stop
- ___ QER4X 3/4" PEX Expansion Reinforcing Ring w/Stop
- ___ QEMT345 F1960 Manual Expansion Tool Kit - 1/2" to 1"



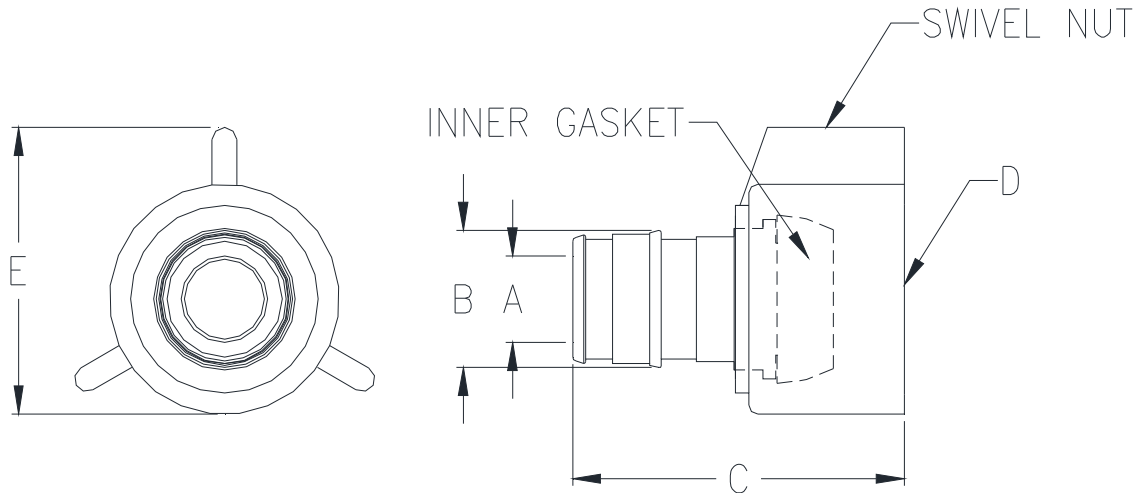
QEPSFC33X

CR POLYMER F1960 EXPANSION PEX X SWIVEL FIXTURE ADAPTER

SPECIFICATION SHEET

TAG _____

Dimensional Data (inches and [mm]) are Subject to Manufacturing Tolerances and Change Without Notice



Part Number	CR F1960 Expansion PEX Coupling size	Dimensions in Inches [mm]				
		A	B	C	D	E
QEPSFC33X	1/2" EX PEX x 1/2" FPT Plastic Swivel Nut	0.39 [10]	0.61 [16]	1.48 [38]	1/2" Female Thread	1.31 [33]

Engineering Specification: Zurn PEX® CR® Polymer F1960 Expansion PEX x Swivel Fixture Adapter

The QEPSFC33X is used with Zurn Non-Barrier PEX tubing in potable water applications. Molded from PPSU, these fittings, as a system with Zurn PEX® tube and Zurn PEX reinforcing rings are pressure rated at 160 PSI at 73°F, 100 PSI at 180°F, and 80 PSI at 200°F. These fittings are 3rd party certified as complying with the following standards: NSF/ANSI Standard 14, NSF/ANSI Standard 61, NSF/ANSI Standard 372 (Low Lead), ASTM F1960, CSA B137.5.

Accessories

- ___ QER3X 1/2" PEX Expansion Reinforcing Ring w/ stop
- ___ QEMT345 F1960 Manual Expansion Tool Kit - 1/2" to 1"



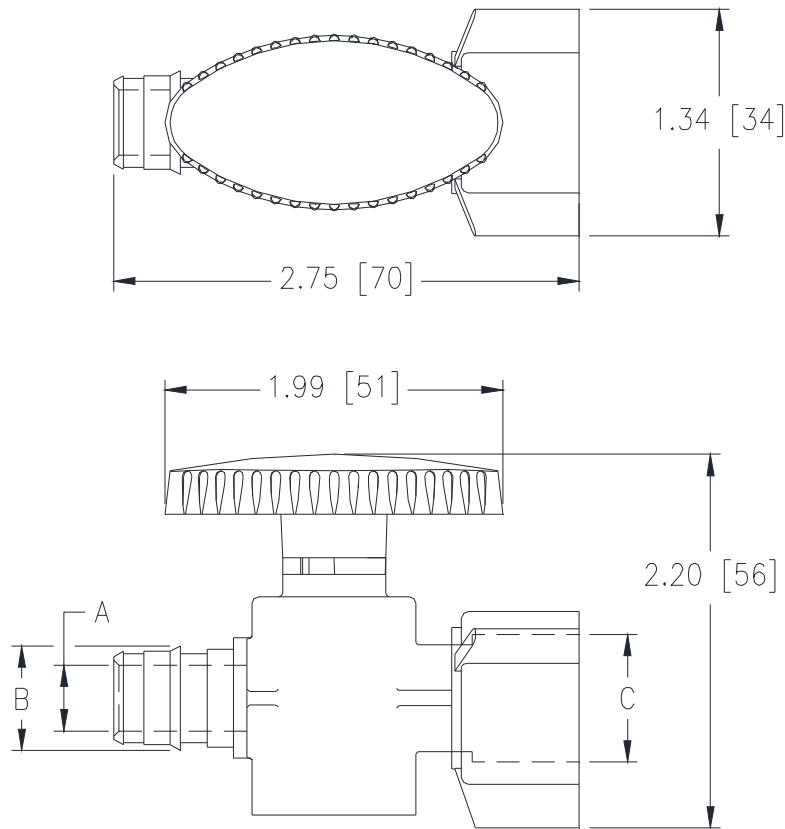
QEPBV3X

SPECIFICATION SHEET

CR POLYMER F1960 EXPANSION PEX x SWIVEL NUT
BALL VALVE FOR QICKPORT MANIFOLD

TAG _____

Dimensional Data (inches and [mm]) are Subject to Manufacturing Tolerances and Change Without Notice



Part Number	CR Polymer Ball Valve for Qickport Manifold	Dimensions in Inches [mm]		
		A	B	C
QEPBV3X	1/2" EX PEX x 1/2" Female Plastic Swivel Nut	0.39 [10]	0.61 [16]	1/2" Female Straight Thread

Engineering Specification: Zurn QEPBV3X

Zurn PEX® CR® Polymer F1960 Expansion PEX x Swivel Nut Ball Valve for Qickport Manifold. The QEPBV3X is used with Zurn Non-Barrier PEX tubing in potable water applications. Molded from PPSU, these valves, as a system with Zurn PEX® tube, Zurn PEX reinforcing rings and Zurn Qickport Manifold are pressure rated at 100 PSI at 180°F. These fittings are 3rd party certified as complying with the following standards: NSF/ANSI Standard 14, NSF/ANSI Standard 61, NSF/ANSI Standard 372 (Low Lead), ASTM F1960, CSA B137.5.

Accessories

- ___ QER3X 1/2" PEX Expansion Reinforcing Ring w/ stop
- ___ QEMT345 F1960 Manual Expansion Tool Kit - 1/2" to 1"