



TEL: 800.BRADLEY
FAX: 262.251.5817
bradleycorp.com

Washroom Accessories Service Parts List Price Book

011226WSPC

Effective Date January 12, 2026

Table of Contents

Elvari Service Parts	2
Elvari Service Parts Cont.	3
Aerix Hand Dryer (Series 2901)	4
Aerix Hand Dryer (Series 2902-28, 2903-28, 2904-28, & 2905-2873)	5
Aerix + Hand Dryer (Series 2921 & 2922)	6
Aerix + Hand Dryer (Series 2923)	7
Waste Receptacles ***	8
Waste Receptacle Liners	9
Napkin-Tampon Vendors (Models 401, 4017, 4018, 403, 426 & 428)	10
Napkin-Tampon Vendor (Model 407)	11
Napkin-Tampon Vendor (Model 4A20)	12
Toilet Tissue Dispensers (Models 5402, 5412 & 5422) ***	13
Back Clamp and Spindles for Toilet Tissue Dispensers ***	13
Coreless Toilet Tissue Dispensers (Models 5951, 5952, 5426-11, 5426-1195)	14
Soap Dispensers (Models 6437, 6542, 6562, 6563, 6A01, & 6A02)	15
Soap Drawers and Soap Trays	15
Soap Dispensers (Models 6322, 6324 & 6326; 1993 and later)***	16
Soap Dispenser (Model 6334)	17
Automatic Soap Dispenser (Model 6315)	18
Verge Soap Dispenser	19
Shower Seats	20
Grab Bar Mounting Kits	21
Post Sets for Towel Bars, Towel Dispenser Accessories	22
Miscellaneous Parts	22
Collars: Recessed to Semi-Recessed	23
Collars: Recessed to Surface-Mounted	24
Shower Rod Flanges, Diaper Changing Stations, Miscellaneous, Grab Bar Hdwr	25
Mirror Glass, Medicine Cabinet Replacement Shelves	26
Lock & Cam Part Number Reference ***	27
Diplomat™ Lock & Cam Part Number, Kit Reference Guide ***	28
Key Images	29

*** USE KIT NUMBERS TO ORDER PARTS



A WATTS Brand

TEL: 1-800-BRADLEY FAX: 262-251-5817
www.bradleycorp.com

Effective Date January 12, 2026

Elvari Parts

Grab Bar

Part No.	Used On Models	Description	List Price
P10-791	8B1	Grab Bar Standoff w/hex set screw, Satin Stainless	\$ 33.20
P10-791-BS	8B1	Grab Bar Standoff w/hex set screw, Brushed Stainless	\$ 39.80
P10-791-BB	8B1	Grab Bar Standoff w/hex set screw, Brushed Black	\$ 39.80
P10-791-BR	8B1	Grab Bar Standoff w/hex set screw, Brushed Brass	\$ 39.80
P10-791-BZ	8B1	Grab Bar Standoff w/hex set screw, Brushed Bronze	\$ 39.80
P10-791-BN	8B1	Grab Bar Standoff w/hex set screw, Brushed Nickel	\$ 39.80

Soap Dispenser

Part No.	Used On Models	Description	List Price
A18-106	6B1	Soap Drip Tray Satin Stainless	\$ 141.90
A18-106-BS	6B1	Soap Drip Tray Brushed Stainless	\$ 180.80
A18-106-BB	6B1	Soap Drip Tray Brushed Black	\$ 180.80
A18-106-BR	6B1	Soap Drip Tray Brushed Brass	\$ 180.80
A18-106-BZ	6B1	Soap Drip Tray Brushed Bronze	\$ 180.80
A18-106-BN	6B1	Soap Drip Tray Brushed Nickel	\$ 180.80

Waste Receptacles

Part No.	Used On Models	Description	List Price
A05-026	3B1	Waste, Recessed, 18 Gallon	\$ 465.60
A05-026-BR	3B1	Waste, Recessed, 18 Gallon, Brushed Brass	\$ 558.70
A05-026-BS	3B1	Waste, Recessed, 18 Gallon, Brushed Stainless	\$ 558.70
A05-026-BB	3B1	Waste, Recessed, 18 Gallon, Brushed Black	\$ 558.70
A05-026-BZ	3B1	Waste, Recessed, 18 Gallon, Brushed Bronze	\$ 558.70
A05-026-BN	3B1	Waste, Recessed, 18 Gallon, Brushed Nickel	\$ 558.70
A09-010	3B1	Waste Cabinet, Semi-Recessed	\$ 466.40
A09-010-BR	3B1	Waste Cabinet, Semi-Recessed, Brushed Brass	\$ 558.70
A09-010-BS	3B1	Waste Cabinet, Semi-Recessed, Brushed Stainless	\$ 558.70
A09-010-BB	3B1	Waste Cabinet, Semi-Recessed, Brushed Black	\$ 558.70
A09-010-BZ	3B1	Waste Cabinet, Semi-Recessed, Brushed Bronze	\$ 558.70
A09-010-BN	3B1	Waste Cabinet, Semi-Recessed, Brushed Nickel	\$ 558.70
A05-027	3B1	Waste, Recessed, 12 Gallon	\$ 402.60
A05-027-BR	3B1	Waste, Recessed, 12 Gallon, Brushed Brass	\$ 483.10
A05-027-BS	3B1	Waste, Recessed, 12 Gallon, Brushed Stainless	\$ 483.10
A05-027-BB	3B1	Waste, Recessed, 12 Gallon, Brushed Black	\$ 483.10
A05-027-BZ	3B1	Waste, Recessed, 12 Gallon, Brushed Bronze	\$ 483.10
A05-027-BN	3B1	Waste, Recessed, 12 Gallon, Brushed Nickel	\$ 483.10

Prices subject to change without notice.
Items may be changed or discontinued
without notice and without incurring obligation.



A WATTS Brand

TEL: 1-800-BRADLEY FAX: 262-251-5817
www.bradleycorp.com

Effective Date January 12, 2026

Miscellaneous

Part No.	Used On Models	Description	List Price
P15-600*	2B, 4B, 5B, 6B	Key Magnetic Lock, w/ring (5) pack	\$ 32.70
330-166	7B1 Frame or Frameless ONLY	Mirror Release Tool	\$ 64.50
P10-811	5B2	Toilet Tissue Spindle	\$ 1.69

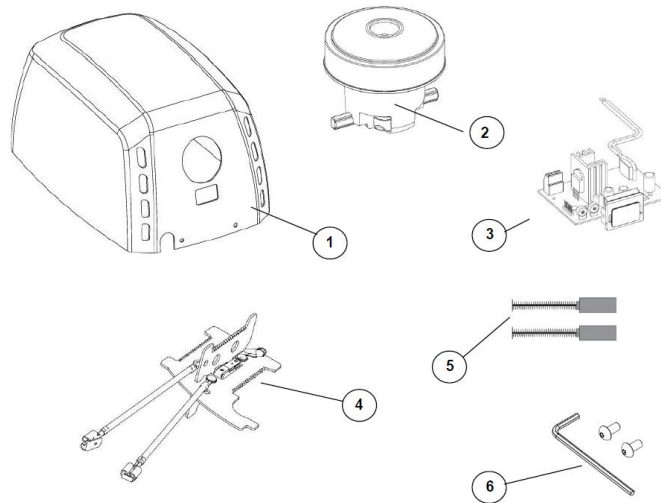
* P10-801 individual key



Hand Dryers

Models 2901-2873 and 2901-2874

	Part No.	Description	Item Number	List Price
2901 Series	P15-468A	Replacement cover; white epoxy steel	1	\$ 436.90
	P15-468B	Replacement cover; satin stainless steel	1	\$ 581.30
	P15-469	Motor	2	\$ 404.30
	P15-470	Sensor set	3	\$ 249.80
	P15-471	Heating element	4	\$ 92.90
	P15-472	Motor brushes	5	\$ 155.60
	P15-473	Screws and wrench	6	\$ 21.30
	P10-750	Stainless steel recessed kit	N/A	\$ 528.60





A WATTS Brand

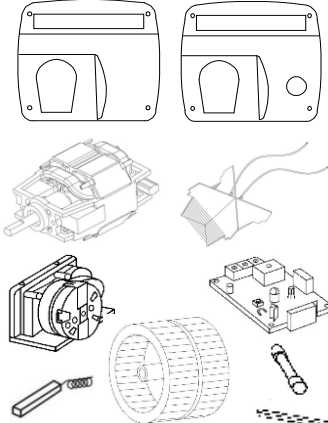
TEL: 1-800-BRADLEY FAX: 262-251-5817
www.bradleycorp.com

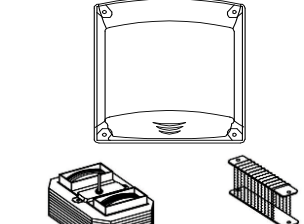
Effective Date January 12, 2026

Hand Dryers

Models 2902-28, 2902-2873, and 2902-2874

	ListPrice	ListPrice	List Price	List Price
2902-28 Series 	P15-411	Cast Iron Cover - White	1	\$ 715.60
	P15-412	Steel Cover - White	1	\$ 631.60
	P15-413	Stainless Steel Cover - Satin	1	\$ 674.20
	P15-414	Motor	1	\$ 529.80
	P15-415	Heating Element	1	\$ 151.90
	P15-416	Sensor Set	1	\$ 320.10
	P15-417	Motor Brushes	2	\$ 59.00
	P15-418	Turbine	1	\$ 85.40
	P15-419	Wrench	1	\$ 17.50
	P15-444	Rubber Cushions / Silent Blocks	1	\$ 6.30
	P15-445	Sensor Window	1	\$ 25.10
	P15-446	Motor Spring	1	\$ 10.10

	ListPrice	ListPrice	List Price	List Price
2903-28 and 2904-28 Series 	P15-420	Cast Iron Cover, Sensored - White	1	\$ 1,220.30
	P15-421	Cast Iron Cover, Push Button - White	1	\$ 1,298.20
	P15-422	Motor - UL	1	\$ 504.70
	P15-423	Motor - CE	1	\$ 547.40
	P15-424	Heating Element - UL	1	\$ 126.90
	P15-425	Heating Element - CE	1	\$ 134.30
	P15-426	Timer - UL	1	\$ 278.70
	P15-427	Timer - CE	1	\$ 286.30
	P15-428	Sensor Set - UL	1	\$ 295.10
	P15-429	Sensor Set - CE	1	\$ 302.60
	P15-417	Motor Brushes	2	\$ 59.00
	P15-430	Fan Wheel	1	\$ 76.60
	P15-431	Fuse - UL	1	\$ 8.80
	P15-419	Wrench	1	\$ 17.50
	P15-446	Motor Spring	1	\$ 10.10
	P15-447	Sensor Cable (2903 Only)	1	\$ 100.40

	ListPrice	ListPrice	List Price	List Price
2905-2873 Series 	P15-433	Steel Cover - White	1	\$ 336.50
	P15-434	Motor - UL and Fan Wheel	1	\$ 117.90
	P15-435	Motor - CE and Fan Wheel	1	\$ 126.90
	P15-436	Heating Element - UL	1	\$ 67.80
	P15-437	Heating Element - CE	1	\$ 75.30
	P15-438	Sensor Set - UL	1	\$ 227.30
	P15-439	Sensor Set - CE	1	\$ 236.10
	P15-440	Fan Wheel	1	\$ 33.90
	P15-441	Wrench	1	\$ 17.50

Need Serial Number when ordering replacement parts.
Please have the serial number located on the outside of the cover at hand when ordering service parts to ensure the correct parts are being ordered.

Prices subject to change without notice.
Items may be changed or discontinued without notice and without incurring obligation.



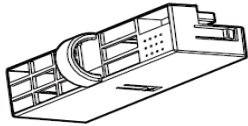
A WATTS Brand

TEL: 1-800-BRADLEY FAX: 262-251-5817
www.bradleycorp.com

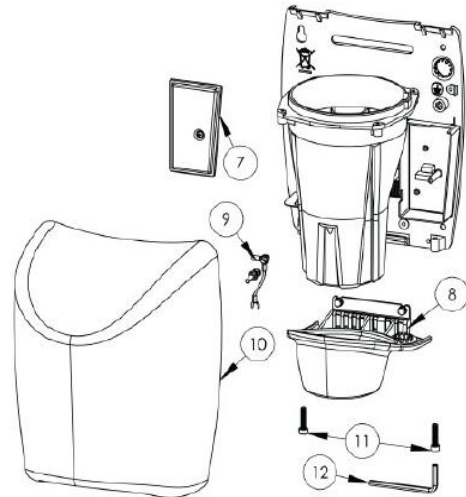
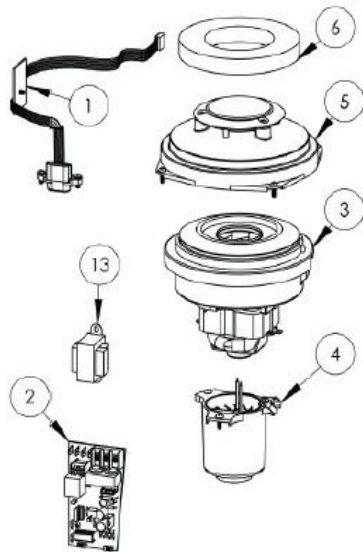
Effective Date January 12, 2026

Hand Dryers

	Part No.	Description	Quantity	Item Number	List Price
2921-W and 2921-S	P15-490	HEPA Filter w/Odor Neutralizing Tablet (1 pk)	1	-	\$ 77.90
	P10-752	Recessed Outlet	1	-	\$ 199.60



2922-2873 and 2922-2874	P15-475	Kit, Sensor	1	1	\$ 87.90
	P15-476	Kit, Dryer Controls	1	2	\$ 136.80
	P15-477	Kit, Motor-120V	1	3	\$ 448.30
	P15-478	Kit, Heating Element - 120V	1	4	\$ 199.60
	P15-482	Kit, Plenum Cap Assy	1	5	\$ 59.00
	P15-483	Air Filter	1	6	\$ 37.70
	P15-484	Kit, Controls Cover	1	7	\$ 17.50
	P15-485	Kit, Nozzle	1	8	\$ 100.40
	P15-486	Kit, Grounding - Model K	1	9	\$ 22.70
	P15-474A	Cover Assy - Alum - White	1	10	\$ 209.70
	P15-474B	Cover Assy - Stainless Steel - Brushed/Satin	1	10	\$ 434.50
	P15-487	Kit, Security Screws	1	11	\$ 6.30
	P15-488	Wrench, Security	1	12	\$ 25.10
	P15-489	Transformer - 120V	1	13	\$ 74.10
	P10-749	Stainless Steel Recess Kit	1	-	\$ 558.80





Prices subject to change without notice.
Items may be changed or discontinued
without notice and without incurring obligation.



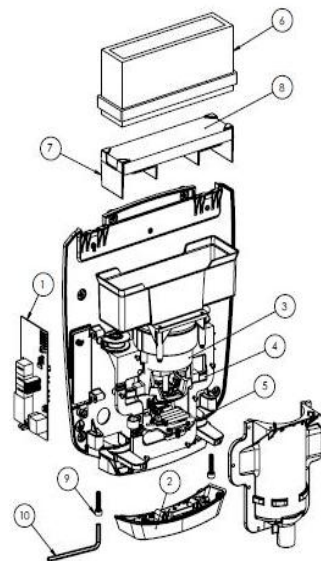
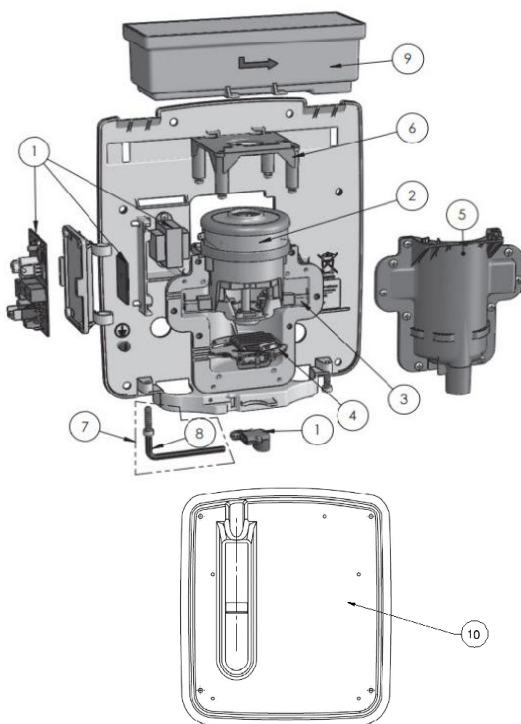
Effective Date January 12, 2026

Hand Dryers

	Part No.	Description	Quantity	Item Number	List Price
2923-28W000, 2923-28B000 and 2923-287400 (Purchased BEFORE 9/1/21)	P15-497	Dryer Controls with Sensor and Transformer	1	1	\$ 144.40
	P15-498	Motor	1	2	\$ 424.40
	P15-499	Replacement Motor Brushes	1	3	\$ 70.30
	P15-500	Heating Element	1	4	\$ 144.40
	P15-501	Front Plenum with Seal	1	5	\$ 36.40
	P15-502	Motor Cap	1	6	\$ 30.10
	P15-503	Cover Assembly - White	1	Not Shown	\$ 241.00
	P15-504	Cover Assembly - Black	1	Not Shown	\$ 241.00
	P15-505	Cover Assembly - Brushed Stainless Steel	1	Not Shown	\$ 509.90
	P15-506	Security Screws (includes wrench)	1	7	\$ 17.50
	P15-488	Security Wrench	1	8	\$ 25.10
	P15-493	HEPA Filter	1	9	\$ 140.60
	P15-494	Top Entry Adapter Kit	1	10	\$ 395.50
	2923-28W001, 2923-28B001 and 2923-287401 (Purchased AFTER 9/1/21)	P15-582	Main Dryer Controls	1	1
P15-583		IR Sensor with Accent Lights	1	2	\$ 98.00
P15-498		Motor	1	3	\$ 424.40
	P15-499	Replacement Motor Brushes	1	4	\$ 70.30
	P15-500	Heating Element	1	5	\$ 144.40
	P15-584	HEPA Filter	1	6	\$ 161.90
	P15-585	Accessory -- Coarse Filter with Bracket	1	7	\$ 51.50
	P15-586	Filter, Coarse Particulate (for dryers w/o HEPA filter)	1	8	\$ 12.60
	P15-506	Security Screws (includes wrench)	1	9	\$ 17.50
	P15-488	Security Wrench	1	10	\$ 25.10

2923-287400, 2923-28W000, 2923-28B000 (Before 9/1/21)

2923-287401, 2923-28W001, 2923-28B001 (After 9/1/21)



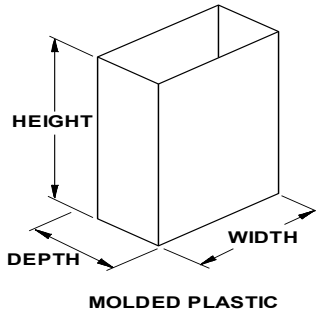
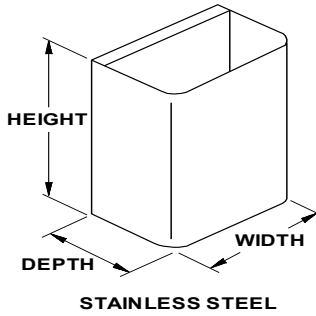
Prices subject to change without notice.
Items may be changed or discontinued
without notice and without incurring obligation.



Effective Date January 12, 2026

Waste Receptacles

Molded Plastic & Stainless Steel Waste Receptacles



Part No.	* Used On Models	Size (Inches)			Gallons	List Price
		Width	Height	Depth		
P11-028	P 2017, 2018, 2227, 2228, 2252	10-3/4	20	5-1/4	4.9	\$ 99.20
P11-026	P 2027, 2028	10-3/4	20	3-1/2	3.3	\$ 60.30
P11-037	P 2037, 2038	14-1/4	26	7	11.2	\$ 106.70
P11-025	P 225, 2257, 2258, 315, 3157, 3158	10-3/4	38	5-1/4	9.2	\$ 121.70
P11-034	P 2251	10-3/4	38	3	5.3	\$ 95.50
S03-011000000	S 227, 2271, 236-36, 237-36, 334 (before 1/11)	15	23	12-3/4	18	\$ 369.00
A05-011000000	S 334 (after 1/11)	15	23	12-3/4	18	\$ 369.00
700-505	S 229	11-15/16	6	4	1.25	\$ 124.20
A05-005	S 2291	11-15/16	9-1/16	3-15/16	2	\$ 90.30
P11-035	P 2297, 2298	11-15/16	9-1/16	3-9/16	1.7	\$ 47.70
S03-005000000	S 237; 234 and 236 only before 1/02	15	23	8-3/4	12	\$ 357.80
A05-012000000	S 234 (after 1/02); 344, 346 (after 1/11)	15	23	8-3/4	12	\$ 278.70
P11-027	P 235, 2357, 2358	14	23	3-1/2	4.9	\$ 85.40
P11-036	P 238, 238-10, 238-1027, 238-11, 238-27, 238-35	14	23	5-7/8	8.2	\$ 95.50
P11-039	P 403, 428	10-7/8	7	5-3/10	1.5	\$ 110.50
M44-006	P 3251, 3257, 3258	10-3/4	17	3-1/2	2.8	\$ 76.60
A05-007	S 4721.4722	10-1/2	9-1/16	3-15/16	1.5	\$ 85.40
S01-415	S 4731	10-11/16	9-1/16	4	1.5	\$ 92.90
P11-033	P 4737, 4738	9-4/5	7-1/8	3-3/5	1.5	\$ 46.50
P11-032	P 591, 5911	8	10-3/4	3-5/8	0.9	\$ 41.50
P11-031	P 5912, 594, 5942	8	8	3-5/8	1.0	\$ 64.10
M44-048	P 593, 5931, 5932	14	8	3-1/2	1.7	\$ 104.20
P11-038	P 2277	14-1/4	9-3/4	17-3/8	10.5	\$ 80.30
P15-025	S 377 Swing Top Only	13	7	13	n/a	\$ 425.60
P15-098	S 377- 36 Swing Top Only	15	8	15	n/a	\$ 429.40
P15-195	S 377- 38 Swing Top Only	19	10	19	n/a	\$ 484.70
A05-015	S 3251-990002	34	11-7/8	16	14.5	\$ 789.70
A05-023	S 234-36	24	15-3/4	18-3/4	18	\$ 370.40
A05-019	S 3A05, 2A05	16-3/4	23-7/16	8-3/5	12	\$ 436.90
A05-014	S 3A05-36, 2A05-36	12 - 7/16	23 - 7/16	16 - 3/4	18	\$ 511.00
A05-020	S 2A15-36, 2A25-36, 2A95-36	16-7/10	23-2/5	14-1/2	21	\$ 539.90
P11-018	P 4A00, 4A10	10	10-1/4	5-3/5	1.5	\$ 59.00

* P = Plastic, S = Stainless Steel

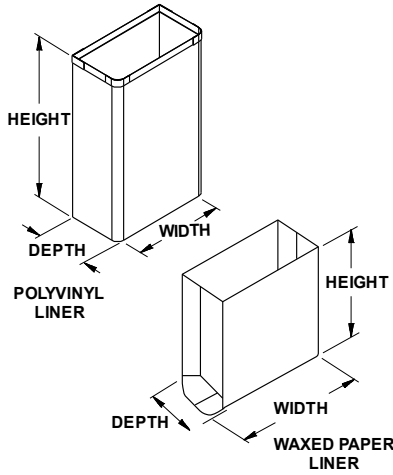


Effective Date January 12, 2026

Waste Receptacle Liners

PVC Vinyl Liners and Waxed Paper Liners

Part No.	Used On Models	Size (Inches)			Kit Part Number	List Price
		Width	Height	Depth		
PVC Vinyl						
P11-001	227, 2271, 234-36, 237-36, 334, 336	14	23	11-3/4		\$ 42.60
P11-004	233, 234, 237, 344, 346	14-3/4	23	7		\$ 38.90
P11-005	355	16	23	12		\$ 42.60
P11-006	356	18	23	9		\$ 42.60
P11-007	357	13-1/2	18	5-1/2		\$ 36.40
P11-041	2A05-36, 3A05-36	16	23	11-1/2		\$ 46.50
P11-042	3A15-11	16	23-1/2	11-1/4		\$ 46.50
P11-043	2A15-36, 2A25-36, and 2A95-36	16	23	13-1/2		\$ 51.50
P11-044	2A05	16	23	7-1/2		\$ 46.50
P20-134	Instructions					\$ -
Waxed						
P11-030	2258, 359, 403, 428, 4721, 4722, 4727, 4731, 4737, 4738, 4781, 4791, 591, 5911, 5912, 594, 5942	9	11	4	P11-022 (Box of 500)	\$ 379.10





Effective Date January 12, 2026

Napkin/Tampon Vendors

Models 401, 4017, 4018, 403, 426 & 428

	Part No.	Description	List Price
<p>P10-517 P18-018 270-072 P18-028</p> <p>330-106</p> <p>330-107</p> <p>524</p> <p>P18-125</p> <p>S01-370 A18-037</p> <p>P10-519 S01-499 S01-374</p> <p>P18-055 P10-558</p>	S01-520040*	Free Coin Mounting Plate Assembly	\$ 361.60
	S01-520045*	25¢ Coin Mounting Plate Assembly	\$ 361.60
	P10-517	Slave Shaft (Recommend also purchasing P18-028)	\$ 6.30
	P18-018	Flat Washer	\$ 1.30
	270-072	Cam	\$ 7.60
	P18-028	Retaining Ring	\$ 1.30
	330-106	Napkin Paddle	\$ 17.50
	330-107	Coined Shaft (Recommend also purchasing P18-028)	\$ 11.20
	P10-524	Tampon Rotor	\$ 17.50
	A19-016***	Free Coin Mechanism Assembly	\$ 100.40
	A19-018***	25¢ Coin Mechanism Assembly	\$ 100.40
	M44-074	Coin Mechanism Handle	\$ 8.80
	P18-125	Screw	\$ 2.50
	S01-370**	Coin Box Cover & Lock Assembly (for units manufactured before 1993)	\$ 51.50
	A18-037**	Coin Box Cover & Lock Assembly (for units manufactured after 1993)	\$ 35.20
	A18-048	Tampon Cam Assembly	\$ 56.50
	P10-519	Lock and Key for Coin Box	\$ 11.20
	S01-499	Tampon Weight Assembly	\$ 30.10
	S01-374	Napkin Weight Assembly	\$ 32.70
	P20-034	Free Label	\$ 1.30
P20-037	25¢ Label	\$ 2.50	
P18-055	Screw	\$ 2.50	
P10-558****	Lock for Door	\$ -	
P10-526****	Key for Door	\$ -	
P20-039	Maintenance and Loading Instructions	\$ 2.50	
100-039	Slip Flange for 401 Only	\$ 113.00	

Includes items P10-517 thru A18-037.
 ** Includes items P10-519 & P10-548.
 *** Includes items P18-125 & label.
 **** Refer to Lock & Cam Part No. Reference for Kit No.



Effective Date January 12, 2026

Napkin/Tampon Vendors

Model 407

Item	Part No	Description	List Price
1	A18-046	Coin Metal Plate Assembly	\$ 82.90
2	A18-047	Napkin Cam	\$ 37.70
3	A18-048	Tampon Cam	\$ 56.50
4	A19-016***	Free Coin Mechanism Assembly	\$ 100.40
	A19-018***	25¢ Coin Mechanism Assembly	\$ 100.40
5	P18-125	Screw for Coin Mechanism	\$ 2.50
6	P20-034	Free Label	\$ 1.30
	P20-037	25¢ Label	\$ 2.50
7	A18-037	Coin Box Cover w/ Lock & Key	\$ 35.20
7a	P10-519	Lock and Key for Coin Box	\$ 11.20
8	A18-044	Napkin Weight	\$ 47.70
9	A18-045	Tampon Weight	\$ 52.70
10	P18-026	Screw # 10 x 1"	\$ 1.30
11	P18-055	Screw #10-32 x 1/2"	\$ 3.80
12	P15-399	Lock for Door	\$ 11.20
13	P15-398	Key for Door	\$ 15.00

*** Includes items P18-125 and label

For diagram of parts, please view installation instructions located at www.bradleycorp.com



Effective Date January 12, 2026

Napkin/Tampon Vendors

Model 4A20

Item	Part No.	Description	List Price
1	A18-046	Coin Metal Plate Assembly	\$ 82.90
2	A18-076	Napkin Cam	\$ 37.70
3	A18-075	Tampon Cam	\$ 52.70
4	A19-016***	Free Coin Mechanism Assembly	\$ 100.40
	A19-018***	25¢ Coin Mechanism Assembly	\$ 100.40
5	P18-125	Screw for Coin Mechanism	\$ 2.50
6	P20-034	Free Label	\$ 1.30
	P20-037	25¢ Label	\$ 2.50
7	A18-037	Coin Box Cover w/ Lock & Key	\$ 35.20
7a	P10-519	Lock and Key for Coin Box	\$ 11.20
8	A18-074	Napkin Weight	\$ 50.30
9	A18-073	Tampon Weight	\$ 52.70
10	P18-055	Screw # 10-32 x 1/2"	\$ 3.80
11	P15-465	Lock for Door	\$ 12.60
12	P15-398	Key for Door	\$ 15.00
13	P20-192	Installation Instructions	\$ -
14	A11-049	Surface-Mounted Collar Assembly	\$ 194.60
15	P18-119	3/4" Hex Nut	\$ 1.30

* For diagram of parts, please view installation instructions located at www.bradleycorp.com

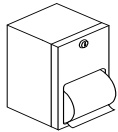
*** Includes items P18-125 and label



Effective Date January 12, 2026

Toilet Tissue Dispensers/Components

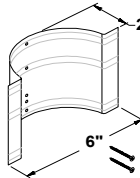
Models 5402, 5412 & 5422



Part No.	Description	Kit Part Number	List Price
P15-407	Plastic Spindle (Kit includes Service Kit & spindle)	P15-407	\$ 5.20
P10-558*	Lock and Cam	P15-399	\$ 9.30
M09-003	Door Panel		\$ 15.50
P10-407	Rivet for Door Panel		\$ 1.00

*Refer to Lock & Cam Part No. Reference for Kit No.

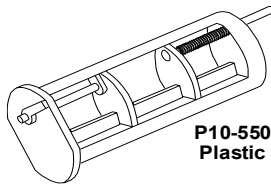
Back Clamp for Toilet Tissue Holders



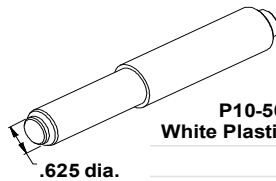
Part No.	Description	List Price
P15-024	510, 5101, 5102, 5103, 5104, 5123*, 5124*, 5125*	\$ 8.20

* Double unit (requires two per unit)

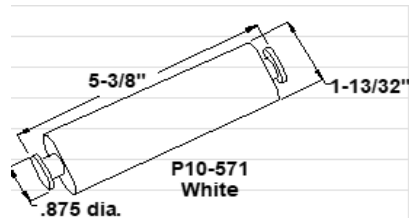
Toilet Tissue Dispenser Spindles



**P10-550
Plastic**



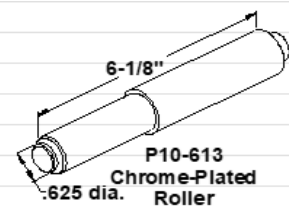
**P10-560
White Plastic Roller**



**P10-571
White**



**S01-459
Theft-Resistant**



**P10-613
Chrome-Plated
Roller**

Part No.	Used On Models	Kit Part Number	List Price
P10-550US	5071, 5241* (prior to 1990), 524, 5071-50, 5241-50*		\$ 28.90
P10-550	5071, 5241* (after 1990), 524, 5071-50, 5241-50*		\$ 8.80
P10-560	508, 5084, 5084US, 510, 5102, 5104, 5124*, 523*, 5234*, 5234US*, 5262, 5263*, 5264, 5265*, 5266, 5267*, 5269*		\$ 3.80
P15-407	5402*, 5412*, 5422*, 590, 5901, 5902, 591, 5911, 5912, 592, 5921, 5922, 594, 5942, 595, 5A00*, 5A10*, 5A20	P15-407	\$ 7.60
P10-613	5084, 5234*, 5085, 5235*, 5106, 5107, 5126*		\$ 11.20
P10-707	Core Adapter for 5424 Single Jumbo Roll		\$ 2.50

* These models require two spindles per unit.



A WATTS Brand

TEL: 1-800-BRADLEY FAX: 262-251-5817
www.bradleycorp.com

Effective Date January 12, 2026

Dual Coreless Toilet Tissue Dispenser Components

Models 5426-11 & 5426-1195



Part No.	Description	Kit Part Number	List Price
P10-762	Catch Button - Screw In Style		\$ 44.00

Dual Coreless Toilet Tissue Dispenser/Waste Receptacle Components

Models 5951 & 5952



Part No.	Description	Kit Part Number	List Price
P10-656	Retainer-Catch		\$ 2.50
P10-745	Catch Button		\$ 44.00
P18-123	Compression Spring		\$ 6.30
P10-558	Lock - Clip & Key	P15-399	\$ 11.20
P11-010	Waste - Liner		\$ 56.50
A18-077	Bracket Assembly		\$ 111.70



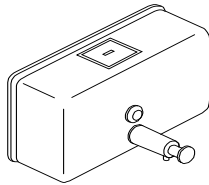
A WATTS Brand

TEL: 1-800-BRADLEY FAX: 262-251-5817
www.bradleycorp.com

Effective Date January 12, 2026

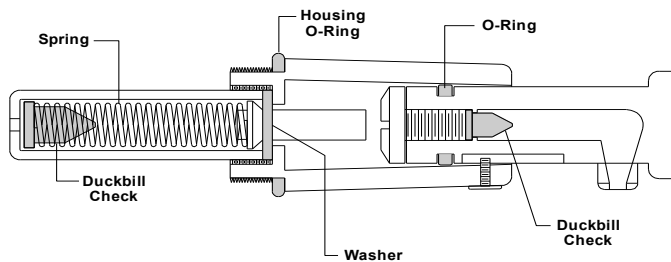
Soap Dispensers

Models 6437 & 6437-73, 6542 & 6562, & 6563 where noted only



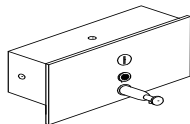
Part No.	Description	Kit Part Number	List Price
P19-212	Liquid Soap Valve (Complete)	P15-408	\$ 42.60
P19-236	Foam Soap Valve (Complete)	P15-510	\$ 47.70
P19-006	Sight Glass (Kit includes Service Kit, (5) per pack)	P15-405	\$ 15.00
P19-140	Mounting Kit (incl. Back Plate, Screws & Key) 6542, 6562, 6583	P19-140	\$ 8.80
P19-213	Repair Kit for Valves P19-212 (incl. Spring, Housing, O-Ring, Duckbill Check & Rubber Washer)	P19-213	\$ 28.90
P15-449	ABS Liquid Soap Valve, 6563 ONLY		\$ 42.60

NOTE: Repair Kits are not available for older valves P19-134 & P19-159. Order new valve P19-212.



Soap Drawer Assemblies

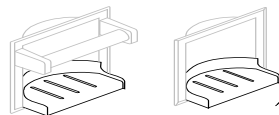
With Liquid Soap Valve



Part No.	Used On Models		List Price
S01-478	643		\$ 159.40
S01-482	644		\$ 252.50
M44-047	Brass Nut 3/4"-28 Hex.		\$ 7.60

Soap Valve For Soap Drawer Assemblies is P19-212 (see above).
Repair Kit For P19-212 is P19-213 (see above).

Soap Dispenser Parts



Part No.	Used on Models		List Price
P15-079	Plastic Soap Tray for 9352, 9353, 9362, 9363		\$ 4.90
P15-461	Key for 6A00-11		\$ 3.80
269-2315	Tube for 6A00-11		\$ 8.80
P15-467	Key & Lock Kit for 6A00-11		\$ 10.10
P10-526	Key for 6A01-11, 6A02-11, 6A03-11		\$ 2.50
P15-479	Control Box for 6A01-11, 6A02-11, 6A03-11		\$ 145.70
P15-480	Pump for 6A01-11		\$ 25.10
P15-522	Pump for 6A02-11		\$ 25.10
P15-549	Pump for 6A03-11		\$ 37.70
P15-481	Tank for 6A01-11, 6A02-11, 6A03-11		\$ 8.80

Prices subject to change without notice.
Items may be changed or discontinued
without notice and without incurring obligation.



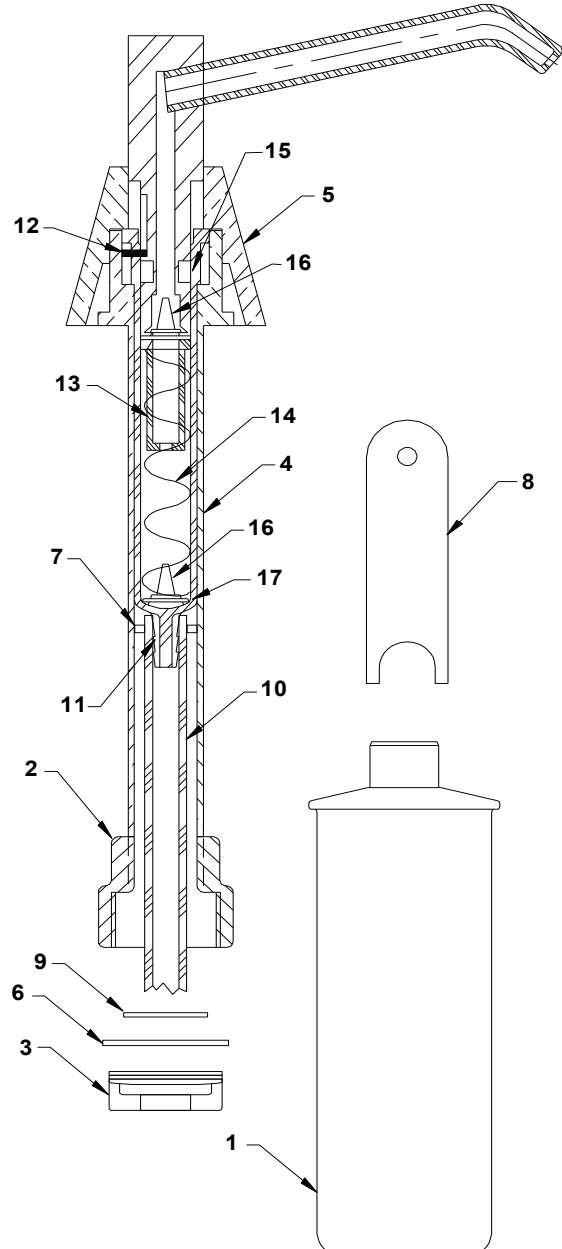
A WATTS Brand

TEL: 1-800-BRADLEY FAX: 262-251-5817
www.bradleycorp.com

Effective Date January 12, 2026

Soap Dispensers

Models 6322, 6324 & 6326 (Components Manufactured 1993 and After)



Item	Part No.	Qty	Description	Kit Part Number	List Price
1	P19-151	1	Metal Soap Cont. 16 oz.		\$ 41.50
	P10-287	1	Plastic Soap Cont. 16 oz.		\$ 6.30
	P19-119	1	Plastic Soap Cont. 32 oz.	P15-406	\$ 15.00
Not Shown	P19-053	1	1" Spacer		\$ 8.80
Spout Kits:					
	P19-206	1	2.5" Spout		\$ 165.70
	P19-207	1	4" Spout		\$ 96.60
	P19-208	1	6" Spout		\$ 100.40
Spout Kits include 2, 3, 4, 5, 6, 9 PLUS P19-187 Kit					
2	P19-117	1	Adapter		\$ 2.50
3	P19-121	1	Wing Nut		\$ 1.30
4	P19-116	1	Shank-ABS Plastic		\$ 3.80
5		1	Escutcheon		
6		1	Washer, Steel		
9		1	Washer, Neoprene		
Repair Kit P19-187 includes:				P19-187	\$ 23.80
7		1	Cable Tie		
8	P19-118	1	Wrench		\$ 3.80
10		1	Supply Tube		
11		1	Cylinder		
12		1	Screw		
13		1	Plunger Spacer		
14		1	Compression Spring		
15		1	O-Ring		
16		2	Duckbill Check		
17		1	Washer		

Prices subject to change without notice.
Items may be changed or discontinued
without notice and without incurring obligation.



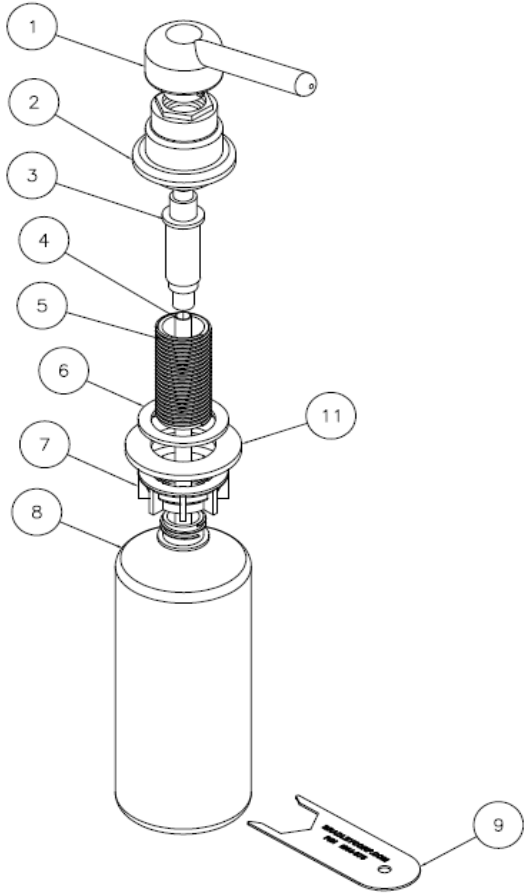
A WATTS Brand

TEL: 1-800-BRADLEY FAX: 262-251-5817
www.bradleycorp.com

Effective Date January 12, 2026

Soap Dispensers

Model 6334



Item	Part No.	Description	List Price
1	P19-223	Plunger Assembly	\$ 120.60
2	P19-224	Flange Assembly	\$ 89.20
3	P19-225	Pump Assembly	\$ 17.50
4	P19-230	Supply Tube	\$ 3.80
5	P19-226	Shank 2-1/4 LG	\$ 4.90
6	P19-229	Washer - Rubber	\$ 3.80
7	P19-228	Nut	\$ 3.80
8	P19-227	Bottle 16 oz.	\$ 3.80
9	M44-075	Wrench	\$ 27.60
10	P20-150	Installation Instructions	\$ 1.30
11	P19-233	Washer - Metal	\$ 7.60

Prices subject to change without notice.
Items may be changed or discontinued
without notice and without incurring obligation.



A WATTS Brand

TEL: 1-800-BRADLEY FAX: 262-251-5817
www.bradleycorp.com

Effective Date January 12, 2026

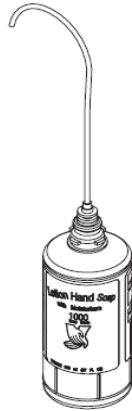
Automatic Soap Dispenser (Manufactured after 8/24/07)

Model 6315 (No repair parts available for units manufactured before 8/24/07)

Part No.	Qty	Description	List Price
P19-232A	1	1 Case (4 Bottles) 54oz Lotion Soap with Moisturizer	\$ 229.80
P19-232B	1	1 Case (4 Bottles) 27oz Lotion Soap with Moisturizer	\$ 130.50
P19-231F	1	AC Adapter for Single Soap Dispenser	\$ 126.90
P19-231G	1	AC Adapter for up to 4 Dispensers (requires 1 P19-231H per dispenser)	\$ 327.70
P19-231H	1	Wire assembly (need 1 assembly for every dispenser. Max 4 per P19-231G)	\$ 47.70
P19-231A	1	Spout Assembly	\$ 109.20
P19-231B	1	C-Clip	\$ 2.50
P19-231C	1	Motor Assembly	\$ 197.10
P19-231D	1	Battery Box	\$ 59.00
P19-231E	1	Clip - Bottle	\$ 2.50

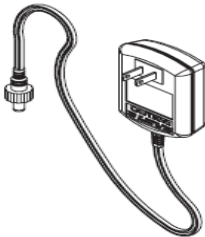


P19-232A
54 oz., 2000 shot

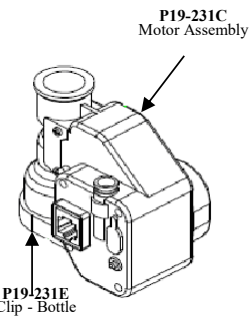


P19-232B
27 oz., 1000 shot

P19-231F
(AC Adaptor for single soap dispenser)

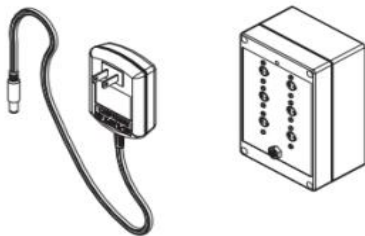


P19-231H (63" cord length)
(Wire assembly)



P19-231C
Motor Assembly

P19-231E
Clip - Bottle



P19-231G (72" cord length)
(AC adaptor for up to 4 soap dispensers)



P19-231A
Spout Assembly



P19-231B
C-Clip



P19

Prices subject to change without notice.
Items may be changed or discontinued
without notice and without incurring obligation.



A WATTS Brand

TEL: 1-800-BRADLEY FAX: 262-251-5817
www.bradleycorp.com

Effective Date January 12, 2026

Verge™ Soap Dispenser Parts

Models 6-3100, 6-3300, 6-3500, & 6-3700

Part No.	Qty	Description	List Price
P15-523	1	CRESTT, SILICONE WASHER-SEMI TRANSPARENT, 5 PK	\$ 11.20
P15-524	1	METRO, SILICONE WASHER-SEMI TRANSPARENT, 5 PK	\$ 11.20
P15-525	1	LINEA, SILICONE WASHER, SEMI TRANSPARENT, 5 PK	\$ 11.20
P15-526	1	ZEN, SILICONE WASHER, SEMI-TRANSPARENT, 5 PK	\$ 11.20
P15-527	1	LOCKING TAB	\$ 4.90
P15-528	1	WING NUT	\$ 1.30
P15-529	1	CAP SCREW, 4mm x 10mm LONG, 5 PK	\$ 17.50
P15-530	1	3mm ALLEN WRENCH, 5 PK	\$ 8.80
P15-531	1	SOAP PUMP-LIQUID, INDIVIDUAL	\$ 27.60
P15-532	1	SOAP PUMP-FOAM, INDIVIDUAL	\$ 27.60
P15-533	1	INDIVIDUAL TANK FILL TUBE ASSEMBLY	\$ 47.70
P15-534	1	INDIVIDUAL SOAP TANK ASSEMBLY	\$ 141.90
P15-535	1	INDIVIDUAL CONTROL BOX	\$ 210.90
P15-536	1	DISPENSING NOZZLE-FOAM W/MESH, 5 PK	\$ 52.70
P15-537	1	MULTI-FEED CONTROL BOX	\$ 204.70
P15-538	1	SLIP JOINT WASHER, 5 PK	\$ 36.40
P15-539	1	NUT, SOAP TANK, 5 PK	\$ 17.50
P15-540	1	MULTI-FEED SOAP TANK ASSEMBLY	\$ 124.20
P15-541	1	MULTI-FEED CONTROL BOX	\$ 74.10
P15-565	1	SOAP PUMP-LIQUID, MULTI-FEED	\$ 32.70
P15-566	1	SOAP PUMP-FOAM, MULTI-FEED	\$ 32.70



P15-523
CRESTT, SILICONE WASHER



P15-528
WING NUT



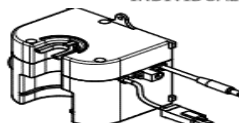
P15-333
FILL TUBE,
INDIVIDUAL



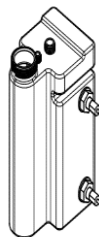
P15-529
CAP SCREW
4mm x 10mm



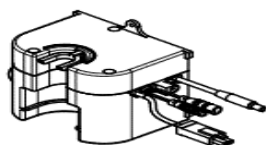
P15-530
3mm ALLEN WRENCH



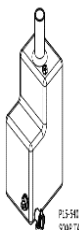
P15-537
CONTROL BOX
MULTI-FEED



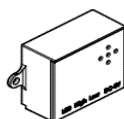
P15-534
SOAP TANK
INDIVIDUAL



P15-535
CONTROL BOX
INDIVIDUAL



P15-541
CONTROL BOX
MULTI-FEED



P15-541
CONTROL BOX
MULTI-FEED



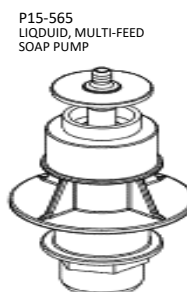
P15-530
3mm ALLEN WRENCH



P15-538
SLIP JOINT WASHER
INDIVIDUAL



P15-539
NUT,
INDIVIDUAL SOAP
TANK



P15-565
LIQUID, MULTI-FEED
SOAP PUMP



P15-566
FOAM,
MULTI-FEED
SOAP PUMP

Prices subject to change without notice.
Items may be changed or discontinued
without notice and without incurring obligation.

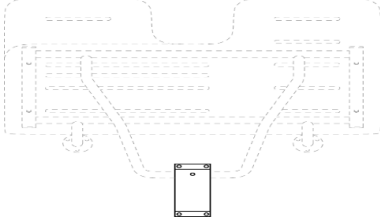


A WATTS Brand

TEL: 1-800-BRADLEY FAX: 262-251-5817
www.bradleycorp.com

Effective Date January 12, 2026

Shower Seat Parts

	Part No.	Description	List Price
	P15-492	Adjustable Level Feet for 957, 9571 and 958	\$ 25.10
	P18-172	Hardware Kit W/ Guide Bracket 9591/9593/9562/9569	\$ 82.80
	P18-173	Hardware Kit for seat top, 9569	\$ 23.10

* P18-172 and P18-173 purchased after 2/1/24



A WATTS Brand

Washroom Accessories Division

TEL: 1-800-BRADLEY FAX: 262-251-5817

Web Site: www.bradleycorp.com

15-Apr-25

Series 800 - Mounting Kits and Anchoring Devices

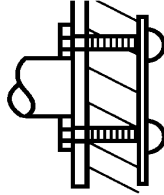
CONCEALED MOUNTING KITS

Partition walls

899-021 \$26.40 Per Flange

Material Included:

- A. (2) 1/4-20 x 1-1/2" stainless steel philips oval head machine screws
- B. (2) cap nuts
- C. (1) backing plate

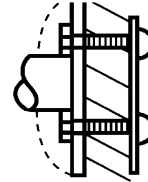


Partition walls

899-011 \$25.10 Per Flange

Material Included:

- A. (2) 1/4-20 x 1-3/8" plated steel hex head machine screws
- B. (2) cap nuts
- C. (1) backing plate



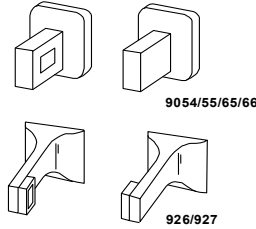


A WATTS Brand

TEL: 1-800-BRADLEY FAX: 262-251-5817
www.bradleycorp.com

Effective Date January 12, 2026

Post Sets for Towel Bars



Part No.	Description	List Price
9054-P00000	9054	\$ 36.40
9055-P00000	9055	\$ 41.50
9065-P00000	9065	\$ 36.40
9066-P00000	9066	\$ 41.50
926-P00000	926	\$ 28.90
927-P00000	927	\$ 28.90

Towel Dispenser Accessories

Part No.	Description	List Price
M08-001	Towel Pan for 2017, 225, 2252, 247, 2478 Towel Disp.; 2017, 2018, 2037, 237, 2038, 238 Towel/Waste Unit; 130, 155 Multi-Unit	\$ 55.20
M08-005	Towel Pan for A01, 270 Multi Purpose Unit	\$ 149.40
P10-689	Towel Dispenser Knob (white) and screw pack (5 per) for P10-561	\$ 15.00
P10-561	Towel Dispenser Mechanism for 227 & 2277 Towel/Waste Unit; 2481, 2483, 2484 Roll Towel Disp.; Ps200, S08 Cabinet Assy.	\$ 246.20
P15-394	Spring for P10-561 Towel Dispenser	\$ 1.30
A17-003	Service kit for 236 Towel/Waste Units and 2479 Towel Dispensers. 2 Service part Towel dispenser center pulls, 4 Lip Trims, 1 set of instructions.	\$ 134.30
P10-687	Cone for 236 Towel/Waste Units and 2479 Towel Dispensers	\$ 75.30
P15-397	Cover for 2490	\$ 125.60
P15-390	Key for 2490	\$ 2.50
P15-450	Cover for 2494	\$ 69.00
P15-451	Key for 2494 and 2497	\$ 2.50
P15-452	AC Conversion Pack for 2494	\$ 120.60
P15-607	Key, 2489 (5) Pack	\$ 21.30
P17-031	Power Supply, 2489	\$ 138.10
P15-453	Cover for 2495	\$ 140.60
P15-454	Key for 2495 and 2496	\$ 2.50
P15-457	Cover for 2497	\$ 74.10
P15-458	Cover for 2496	\$ 125.60
P15-459	AC Conversion Pack for 2496	\$ 278.70
P15-466	Replacement Towel Arms for 2494	\$ 8.80
P10-740	Keyless Handle for 2496	\$ 8.80
P10-741	Keyless Knob for 2497	\$ 3.80
P10-767	Cover for 2498	\$ 72.80
P10-773	Cover for 2499	\$ 278.70
P10-774	Right & Left Roll Holders w/ Cups	\$ 18.80
A16-013	A/C Adapter Assembly for 2498 & 2499	\$ 115.50

Miscellaneous Parts

Part No.	Description	List Price
P10-695	Shield for 5900 Series Combination Units (after 2004)	\$ 27.60
P18-116	Nylon Snap Rivet for P10-695 (need 2 for each P10-695)	\$ 1.30
P10-012	Mop Holder for 9933, 9934, 9953, 9954, 9955, 9983, 9984, 9985, 9986	\$ 4.90
P18-106	Rivet for 9953,9954,9955	\$ 1.30
P10-642	Magnetic Catch for 174	\$ 4.90

Prices subject to change without notice.
Items may be changed or discontinued
without notice and without incurring obligation.



A WATTS Brand

TEL: 1-800-BRADLEY FAX: 262-251-5817
www.bradleycorp.com

Effective Date January 12, 2026

COLLARS: Recessed to Semi-Recessed

Part Number	Used On Models	List Price
S08-211	130, 155, 170, 175, 334, 344, 346	\$ 128.00
S08-220	2291, 244, 3251	\$ 131.80
S08-230	1471, 2441	\$ 123.10
S08-225	2017, 2018	\$ 229.80
S08-252	2027, 2028	\$ 241.00
A10-002	2037, 2038	\$ 231.00
S08-209	225	\$ 371.70
S08-258	2251	\$ 258.70
S08-244	2252	\$ 237.20
A10-001	227, 2271	\$ 282.50
A11-037	2277	\$ 256.10
S08-228	229	\$ 227.30
S08-222	2297, 2298, 2447, 2448, 3257, 3258	\$ 168.20
S08-210	234 & 235 (prior to March 2011)	\$ 168.20
A10-007	234 & 235 (after March 2011), 2A05	\$ 263.70
S08-205	236, 237, 238	\$ 227.30
S08-243	247	\$ 207.10
A11-029	2481	\$ 198.40
A10-003	2484	\$ 313.90
A10-004	270	\$ 259.90
S08-242	315-35	\$ 251.10
S08-257	3157, 3158	\$ 231.00
S08-226	4017, 4018	\$ 155.60
A11-031	2442, 2443, 4737, 4738	\$ 145.70
A10-008	2A00, 3A05	\$ 193.30
A10-010	2A15, 2A25, 2A95	\$ 297.60
A10-012	2A01, 2A02, 2A09	\$ 259.90
A10-013	4A00	\$ 737.90

Collars can only be used with fully-recessed units.



A WATTS Brand

TEL: 1-800-BRADLEY FAX: 262-251-5817
www.bradleycorp.com

Effective Date January 12, 2026

COLLARS: Recessed to Surface-Mtd.

Part Number	Used On Models	List Price
S08-207	130, 155, 170, 175, 334, 344	\$ 154.50
S08-243	2291, 244, 3251	\$ 207.10
S08-219	1471, 2441	\$ 104.20
S08-248	2017, 2018	\$ 276.20
S08-251	2027, 2028	\$ 265.00
A11-018	2037, 2038	\$ 305.10
S08-233	225	\$ 438.20
A11-005	2251	\$ 261.20
S08-241	2252	\$ 345.30
A11-008	227, 2271	\$ 393.00
A11-038	2277	\$ 334.00
S08-227	229	\$ 155.60
S08-235	2297, 2298, 2447, 2448, 3257, 3258	\$ 182.10
S08-201	234 & 235 (prior to March 2011)	\$ 154.50
A11-044	234 & 235 (after March 2011), 2A05	\$ 287.50
A11-002	236, 237, 238	\$ 278.70
A11-007	2442, 2443, 4737, 4738	\$ 161.90
A11-012	247	\$ 209.70
A11-004	2478	\$ 221.00
S08-256	2481	\$ 221.00
A11-041	270	\$ 406.70
S08-229	315-35	\$ 400.50
A11-017	3157, 3158	\$ 291.30
A11-003	346	\$ 169.50
A11-039	4017	\$ 200.90
A11-019	4018	\$ 190.90
A11-040	407	\$ 158.20
S08-245	990	\$ 238.50
A11-045	3A05	\$ 197.10
A11-047	2A15, 2A25, 2A95	\$ 420.70
A11-049	4A20	\$ 194.60
A11-051	2A01, 2A02, 2A09	\$ 253.60
P15-511	962	\$ 372.90

Collars can only be used with fully-recessed units.



A WATTS Brand

TEL: 1-800-BRADLEY FAX: 262-251-5817
www.bradleycorp.com

Effective Date January 12, 2026

Shower Rod Flanges

Part No.	Used On Models	Description	List Price
701-600*	953	1" Exposed Flange	\$ 4.90
P18-159	953	1" Exposed Flange/Hardware Kit	\$ 26.40
P18-160	9531	1 1/4" Exposed Flange/Hardware Kit	\$ 26.40
P18-161	9538	1" Concealed Flange/Hardware Kit	\$ 47.70
P18-162	9539	1 1/4" Concealed Flange/Hardware Kit	\$ 47.70
P18-167	9530	1" Swivel Flange/Hardware Kit	\$ 71.60

*701-600 if purchased 953 prior to 2/1/24

Baby Changing Stations and Toddler Seat

Part No.	Used On Models	Description	List Price
P15-507	961, 9611, 9612	Replacement Strap	\$ 77.90
P11-021	961, 9611, 9612, 962, 11, 962, 963, 9631, 9632, 9633	Case of 500 White Liners	\$ 236.10
P15-491	962, 962-11, 963, 9631, 9632, 9633	Replacement Strap	\$ 55.20
P15-495	964	Replacement Strap	\$ 51.50

Miscellaneous

Part No.	Used On Models	Description	List Price
P10-526*	All Models W/Locks	Key	\$ 15.00
P18-073	All Models W/Torx Head W/Pin Security Screws	Torx Tool Kit	\$ 100.40
330-074	All Mirrors W/H-Hangers	Mirror Release Tool	\$ 55.20
P10-636	All Models W/Locks	Turn Knob Key	\$ 3.80

*Refer to Lock & Cam Part No. Reference for Kit No.

Grab Bar Hardware Kit

Part No.	Used On Models	Description	List Price
P18-158*	ALL except swing up models	Screw pack (3) #10 2 1/2" screws	\$ 5.60

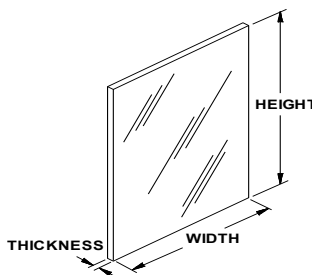


A WATTS Brand

TEL: 1-800-BRADLEY FAX: 262-251-5817
www.bradleycorp.com

Effective Date January 12, 2026

Mirror Glass

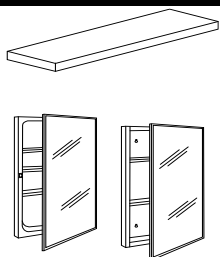


Part No.	Used On Models	Size (Inches)			List Price
		Width	Height	Depth	
P13-002	130, 155	14-13/16	17-13/16	1/4	\$36.40
P13-008	175	16-13/16	30-3/8	1/4	\$71.60

Mirror Accessory	Large Mirrors -100" Plus				
A18-054	Support Bracket Kit	2-1/2	3-3/4	1	\$89.20
Kit includes: two brackets and instruction sheets.					
P10-719	Frameless Mirror Clip Kit - Set of (4). Used on 747 and 747F				\$21.30

Replacement Shelves

For Medicine Cabinets



Part No.	Used On Models	Description	List Price
P15-380	9663	Stainless	\$21.30
P15-385	9664	Stainless	\$23.80
260-042	175	Stainless	\$22.70

Prices subject to change without notice.
Items may be changed or discontinued
without notice and without incurring obligation.



Lock & Cam Part Number Reference

Model No.	Lock & Cam Part No.	List Price	Model No.	Lock & Cam Part No.	List Price
155-000000	P10-596	Service Kit	334-000000	P10-568	Service Kit
1981-000000	P10-558	Service Kit	344-000000	P10-568	Service Kit
2017-000000	P10-565	Service Kit	346-000000	P10-568	Service Kit
2027-000000	P10-565	Service Kit	401 Series	P10-558 (door)	Service Kit
2037-000000	P10-565	Service Kit	401 Series	P10-519 (coin box)	\$ 11.20
2252-000000	P10-558	Service Kit	4017-000000	P10-558 (door)	Service Kit
2271-000000	P10-558 (door)	Service Kit	4017-000000	P10-519 (coin box)	\$ 11.20
2271-000000	P10-568 (W/R)	Service Kit	407 Series	P10-558 (door)	Service Kit
2291-000000	P10-558	Service Kit	407 Series	P10-519 (coin box)	\$ 11.20
2297-000000	P10-565	Service Kit	4721-150000	P10-565	Service Kit
234-000000	P10-568	Service Kit	4722-101500	P10-565	Service Kit
235-000000	P10-558, P10-568	Service Kit	4722-150000	P10-565	Service Kit
236-000000	P10-558 (door)	Service Kit	4731-150000	P10-565	Service Kit
236-000000	P10-568 (W/R)	Service Kit	4737-000000	P10-558	Service Kit
237-000000	P10-558 (door)	Service Kit	5402-000000	P10-558	Service Kit
237-000000	P10-568 (W/R)	Service Kit	5412-000000	P10-558	Service Kit
238-000000	P10-558	Service Kit	5422-000000	P10-558	Service Kit
244-000000	P10-558	Service Kit	5424-000000	P10-558	Service Kit
2441-000000	P10-558	Service Kit	5425-000000	P10-565	Service Kit
2442-000000	P10-565	Service Kit	583-000000	P10-567	Service Kit
2498-000000	P10-565	Service Kit	584-000000	P10-558	Service Kit
2499-000000	P10-565	Service Kit	5847-000000	P10-558	Service Kit
250-150000	P10-565	Service Kit	591-000000	P10-558	Service Kit
252-000000	P10-565	Service Kit	5911-000000	P10-558	Service Kit
3251-000000	P10-558	Service Kit	5912-000000	P10-558	Service Kit
3257-000000	P10-565	Service Kit	5922-000000	P10-558	Service Kit
			5942-000000	P10-558	Service Kit
			6437-000000	P10-558	Service Kit
			644-000000	P10-558	Service Kit

**P10-526 (2055) key
unlocks all locks
except
P10-519**

Service Kits

Description	Kit Number	List Price
Key P10-526 (5 keys per kit)	P15-398	\$ 15.00
P10-558 lock, clip, & key kit	P15-399	\$ 11.20
P10-565 lock, clip, & key kit	P15-400	\$ 11.20
P10-567 lock, clip, & key kit	P15-401	\$ 11.20
P10-568 lock, clip, & key kit	P15-402	\$ 11.20
P10-723 lock, clip, & key kit	P15-465	\$ 12.60
P10-621 lock, clip, & key kit	P15-404	\$ 11.20



A WATTS Brand

TEL: 1-800-BRADLEY FAX: 262-251-5817
www.bradleycorp.com

Effective Date January 12, 2026

Diplomat™ Lock & Cam Part Number Reference

**P10-526 key unlocks all locks
except
P10-519**

Model No.	Lock & Cam Part No.	List Price	Service Kits		
			Description	Kit Number	List Price
2A02	P10-723	Service Kit			
2A05	P10-723 (door), P10-568 (W/R)	Service Kit			
2A10	P10-558	Service Kit			
2A25	P10-723 (door), P10-568 (W/R)	Service Kit			
3A05	P10-568	Service Kit			
4A00	P10-558	Service Kit			
			Key P10-526 (5 keys per kit)	P15-398	\$ 15.00
4A20	P10-723 (door)	Service Kit	P10-558 lock, clip, & key kit	P15-399	\$ 11.20
4A20	P10-519 (coin box)	\$ 11.20	P10-565 lock, clip, & key kit	P15-400	\$ 11.20
5A00	P10-558	Service Kit	P10-567 lock, clip, & key kit	P15-401	\$ 11.20
5A10	P10-558	Service Kit	P10-568 lock, clip, & key kit	P15-402	\$ 11.20
			P10-723 lock, clip, & key kit	P15-465	\$ 12.60
5A40	P10-558	Service Kit	P10-621 lock, clip, & key kit	P15-404	\$ 11.20
6A01	P10-558	Service Kit			
6A02	P10-558	Service Kit			
6A03	P10-558	Service Kit			

Kit Reference Guide

Part No.	Description	Quantity	Kit No.	List Price	Ref. Page
P11-030	Waxed Paper Liner	500	P11-022	\$ 379.10	3
P10-526	2055 Key	5	P15-398	\$ 15.00	14
P10-558	Lock, Clip, & Key	1	P15-399	\$ 11.20	14
P10-565	Lock, Clip, & Key	1	P15-400	\$ 11.20	14
P10-567	Lock, Clip, & Key	1	P15-401	\$ 11.20	14
P10-568	Lock, Clip, & Key	1	P15-402	\$ 11.20	14
P10-596	Lock, Clip, & Key	1	P15-403	\$ 17.50	14
P10-621	Lock, Clip, & Key	1	P15-404	\$ 11.20	14
P19-006	Sight Glass	5	P15-405	\$ 15.00	7
P19-119	32 oz. Plastic Soap Bottle	1	P15-406	\$ 15.00	8
P10-571	Toilet Tissue Spindle	1	P15-407	\$ 6.30	6
P19-212	Soap Valve	1	P15-408	\$ 47.70	7
P19-140	Mounting Kit (Backplate, Screws, Key)	1	P19-140	\$ 8.80	7
P19-213	Repair Kit - Soap Valves	1	P19-213	\$ 28.90	7
P19-187	Repair Kit - Saop Dispenser	1	P19-187	\$ 23.80	8

Prices subject to change without notice.
Items may be changed or discontinued
without notice and without incurring obligation.



A WATTS Brand

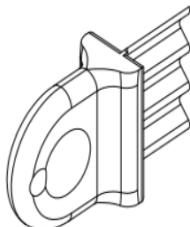
TEL: 1-800-BRADLEY FAX: 262-251-5817
www.bradleycorp.com

Effective Date January 12, 2026

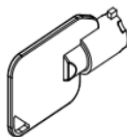
Key Images



P10-526



P15-454



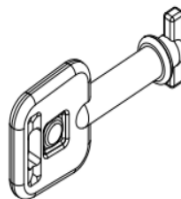
P15-461



P15-451



P10-636



P15-807



P10-801

Date	Page	Change Description
10/15/2018	15	Remove Obsoleted S01-479 Soap Tank Assembly
10/15/2018	15	Add NEW Foam Soap Valve Kit P15-510
11/12/2018	ALL	2019 Price Increase - Effective 2/1/2019
2/4/2019	CDN - ALL	Updated Canadian Price Multiplier 1.32 to 1.34
12/1/2019	ALL	2020 Price Increase - Effective 2/1/2020
4/20/2020	24	Remove Obsoleted S08-208 collar. Replace w/ S08-243
4/20/2020	24	Remove AD3-0008B bcs collar. Replace w/ P15-511
7/13/2020	15	Updated parts with 6A02
12/1/2020	ALL	2021 Price Increase - Effective 2/1/2021
12/1/2020	ALL	Added Verge Soap Service Parts
2/25/2021	23 & 28	Added 2498 & 2499 Service parts
7/8/2021	ALL	2021 August Price Increase - Effective 8/1/2021
9/1/2021	7	Added 2923 Next Gen Service parts
11/1/2021	ALL	2022 January Price Increase - Effective 1/4/2021
3/13/2022	ALL	March 2022 Price Increase - Effective 3/15/2022
2/23/2023	ALL	March 2022 Price Increase - Effective 3/15/2023
2/1/2024		Identify Items that might be removed after SKU Rat. Is complete
2/22/2024	ALL	Adjust rounding to match Epicor
10/4/024		Updated new part numbers for shower rod flanges and grab bar kit, removed
1024/2024	ALL	Added 2025 price increase effective 1/1/25
3/11/2025	ALL	April 2025 price increase, Elvari service parts page
4/21/2025	ALL	May 2025 price increase - US only
6/13/2025	ALL	June 2025 price rescind - CDN only
12/10/2025	ALL	January 2026 price increase

Implemented By

Kendall Thompson
Kendall Thompson
Kendall Thompson
Kendall Thompson

Austin Kaatz
Austin Kaatz
Austin Kaatz
Austin Kaatz
Austin Kaatz
Austin Kaatz
Austin Kaatz
Austin Kaatz

Lane Valimont

Austin Kaatz
Austin Kaatz

Kameron Schmidt
Kameron Schmidt
Kameron Schmidt
Kameron Schmidt

Fixed rounding error - referenced list price lists

Mellisa Schulz
Mellisa Schulz
Mellisa Schulz
Mellisa Schulz
Mellisa Schulz
Mellisa Schulz