



Navigator® Tepid Water Skid System w/ VFD Controlled Pump

NTS1

Key Features

- Complete tepid water system
- Includes Navigator® thermostatic mixing valve, hot water storage tank with immersion heater, expansion tank and electrical control panel.
- Stainless steel skid with forklift slots
- Designed for one combination shower/eyewash activation
- Factory assembled and tested
- Meets requirements of ANSI/ISEA Z358.1 and ASSE 1071

Standard Equipment

Skid

The system components are mounted to a 12-gauge stainless steel bolted skid assembly with forklift slots for transportation.

Tepid Water Delivery System

The tepid water system requires power and a connection to a cold water supply. Cold water is heated inside a 119 gallon storage tank with immersion heater. Tepid water is created by blending hot water and cold water through an ASSE 1071 certified Navigator emergency thermostatic mixing valve. Cold water bypass ensures the availability of water to the safety fixture even if hot water runs out. The unit comes factory assembled and tested with all piping, check valves, ball valves and expansion tank.

Recirculation System

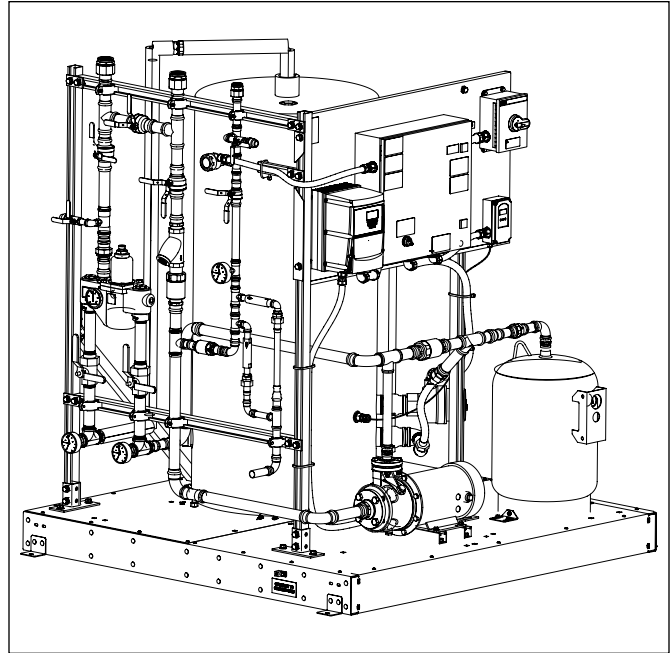
Recirculation system with 1" return line provides tepid water to all safety fixtures. System includes Variable Frequency Drive controlled pump to circulate water through the loop and boost system water pressure. Booster pump sizing based on shower loop piping requirements, please fill out piping assumptions in the Specification Table. Recirculation mode ensures tepid water is always available when shower is activated. Centralized alarm contacts monitor pump functionality. Digital interface for tank temperature monitored with RTD and includes dry contacts to provide feedback to building management system.

Electrical Power

The system requires electrical connection into a disconnect switch. All electrical components are controlled through an industrial control panel. Supply voltage options include 208V, 240V, 480V, and 600V. System is suitable for non-hazardous electrical locations.

Inlet and Water Supply Pressure

Water inlet has a 1-1/2" NPT union connection. Hot water tank must be supplied with an incoming cold water pressure between 50–90 psi (3.4–6.2 bar).



Product Compliance

- Designed to the National Electrical Code (NEC/NFPA 70)
- Thermostatic Mixing Valve certified to ASSE 1071 and cUPC



Only one electrical connection is required.

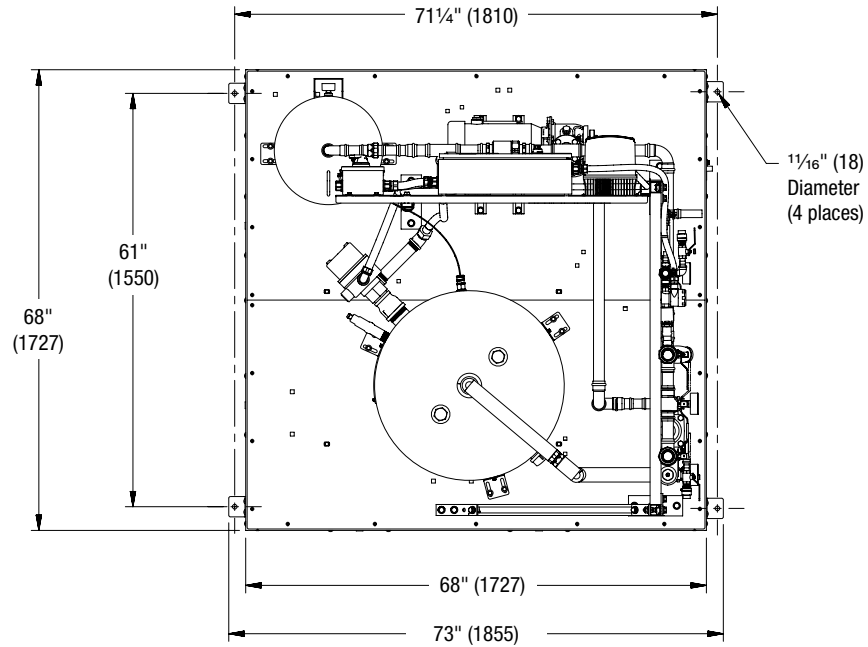


NTS1 Navigator® Tepid Water Skid System w/ VFD Controlled Pump

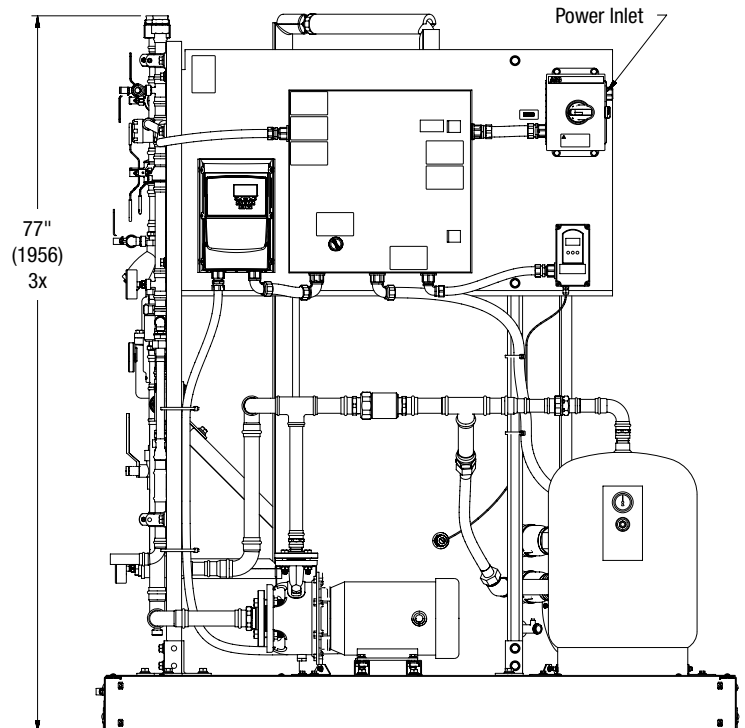
Dimensions

(mm)

Top View



Front View



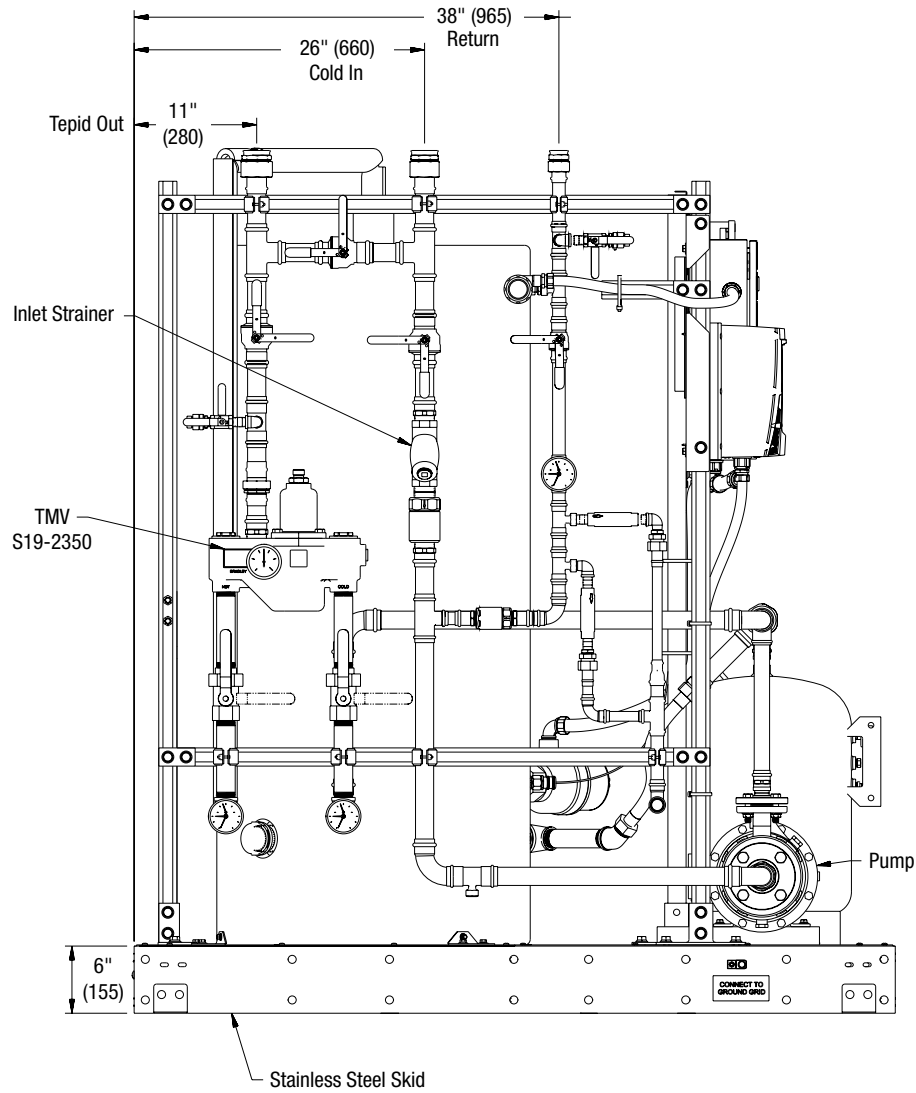


NTS1 Navigator® Tepid Water Skid System w/ VFD Controlled Pump

Dimensions

(mm)

Right Side View





Navigator® Tepid Water Skid System w/ VFD Controlled Pump

NTS1

Models (Must select one)

Model	Description
NTS1-GAV2-VFD	208V Single-Phase, One Shower Tepid Water Skid w/VFD Controlled Pump
NTS1-GAV4-VFD	240V Single-Phase, One Shower Tepid Water Skid w/VFD Controlled Pump
NTS1-GAV5-VFD	480V Three-Phase, One Shower Tepid Water Skid w/VFD Controlled Pump
NTS1-GAV6-VFD	600V Three-Phase, One Shower Tepid Water Skid w/VFD Controlled Pump

Selections (Must select one from each category)

Piping Assumptions

Piping Material: _____

Piping Size: _____

Pipe Schedule: _____

Loop Length: _____

Inlet Pressure: Min. _____ Max: _____

Max. Height of Shower from Skid: _____

Additional Certifications Required

None

List Additional Certifications Below

Job Name: _____

Location: _____

Revision Date: _____

A signed submittal drawing is required.
This submittal drawing will be provided upon receipt of order.

This is to acknowledge that the "End User" identified below has marked the boxes in the selection guide above to design a skid system that will meet its site and specification requirements, and wishes to have Bradley custom-build that skid system to its order, on the understanding that the order may not be canceled, the skid system may not be returned and that no refund of any portion of the purchase price for the skid system will be made (except under Bradley's warranty). It is also to acknowledge that the "Distributor" identified below is placing an order with Bradley for the skid system, on the Terms and Conditions found on Bradley's website, at www.bradleycorp.com, again on the understanding that the order may not be canceled, the skid system may not be returned and that no refund of any portion of the purchase price for the skid system will be made (except under Bradley's warranty).

name of "End User" _____	name of "Distributor" _____
by _____	by _____
title _____	title _____
date _____	date _____