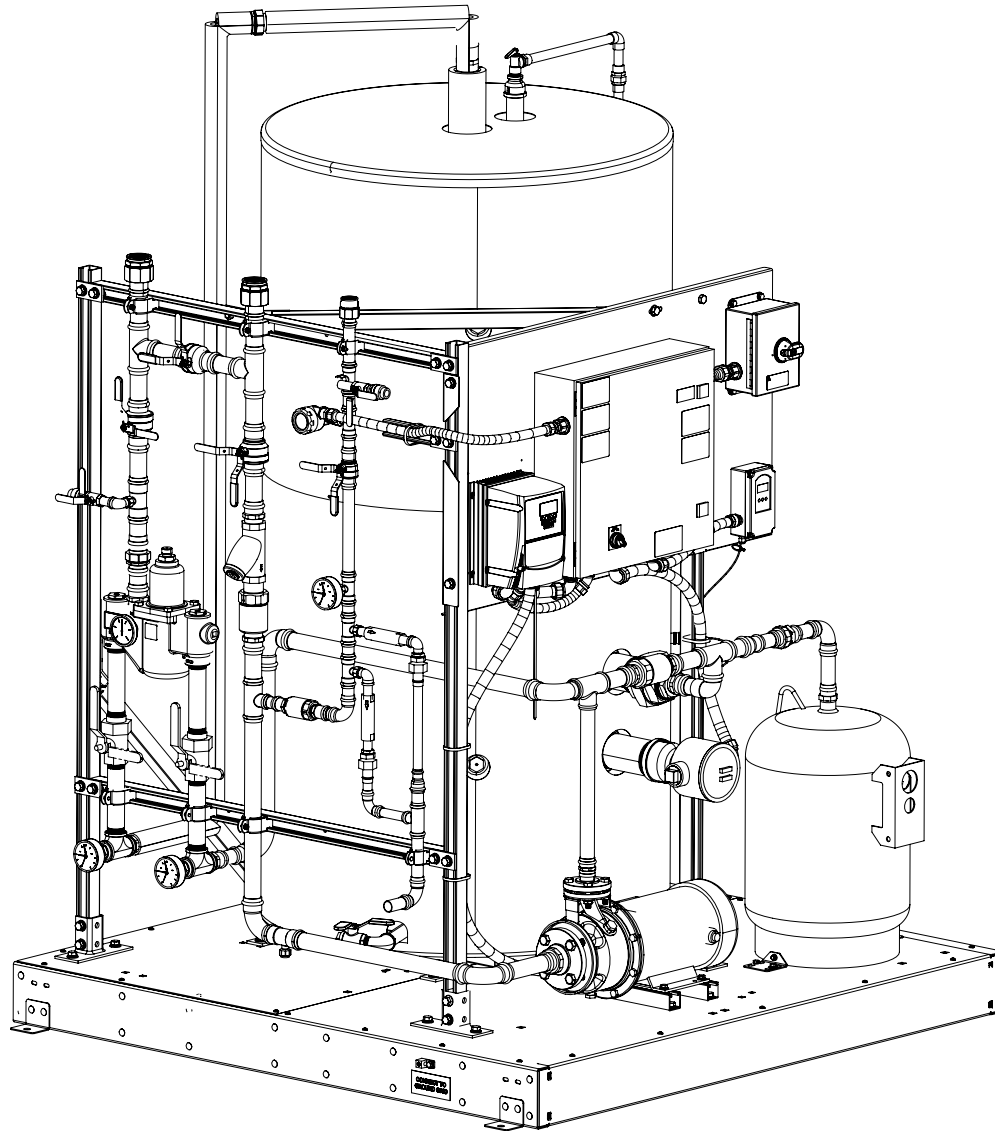


Repair Parts List

NTS-VFD



For questions regarding the operation, installation or maintenance of this product, visit bradleycorp.com or call 800. BRADLEY (800.272.3539).

Product warranties and parts information may also be found under "Resources" on our website at bradleycorp.com.

GROUP	PART	DESCRIPTION	NTS1			
			208 VAC	240 VAC	480 VAC	600 VAC
			NTS1-GAV2-VFD	NTS1-GAV4-VFD	NTS1-GAV5-VFD	NTS1-GAV6-VFD
PUMP	269-2912	Pump 208-230/460V	1	1	1	
	269-2920	Pump 575V				1
TRANSFORMER	261-287	TRANSFORMER 200VA, 208,240,480V: 120V	1	1	1	
	261-350	TRANSFORMER 250VA, 240,480,600V: 110,120V				1
ELECTRICAL	229-020	Switch Selector	1	1	1	1
	261-088	Contactora 3 pole	1	1	1	1
	261-183	Fuse 30a	1	1		
	261-289	Fuse 2a	1	1	1	1
	261-352	Fuse 1.5a	1	1	1	
	261-357	Fuse Class J	1	1		
	261-043	Fuse 15a			1	
	261-137	Fuse 20a			1	
	261-105	Fuse 7.5a				1
	261-358	Fuse .5a				1
	261-044	Fuse 10a				1
	261-177	Fuse 25a				
	261-266	Temp Switch	1	1	1	1
	269-2925	VFD controler 208/240v	1	1		
	269-2924	VFD controler 480v			1	
	269-2923	VFD controler 600v				1
269-2904	Pressure Transmitter	1	1	1	1	
PLUMBING	269-2880	Water Tank 119 gal ASME	1	1	1	1
	269-2869	Water Tank 318 gal				
	269-2499	Expansion Tank	1	1	1	1
	269-2967	TPR Valve				
	269-2450	TPR Valve	1	1	1	1
	269-2930	Wye Strainer 1-1/2	1	1	1	1
	S27-393	Check Valve 1-1/2	1	1	1	1
	269-1860	Temp/Pressure Gauge	1	1	1	1
	RW-00002-029	Scald Valve	1	1	1	1
TMV	S19-2350	TMV Valve	1	1	1	1
	S65-485	Center Section Kit	1	1	1	1
	S65-421	TMV Thermostat Kit	1	1	1	1
	S65-423	O-ring Seal Kit	1	1	1	1
	S65-212	Check/Stop Kit	1	1	1	1
	S65-484	Piston & Liner Kit	1	1	1	1
WATER HEATER	269-2828	HEATER, WATER 600V 5KW				1
	269-2713	HEATER, WATER 240V 5KW		1		
	269-2712	HEATER, WATER 208V 5KW	1			
	269-2714	HEATER, WATER 480V 5KW			1	
	269-2928	HEATER, WATER 480V 10KW				
	269-2929	HEATER, WATER 600V 10KW				

GROUP	PART	DESCRIPTION	NTS2	
			480 VAC	600 VAC
			NTS2-GAV5-VFD	NTS2-GAV6-VFD
PUMP	269-2912	Pump 208-230/460V	1	
	269-2920	Pump 575V		1
TRANSFORMER	261-287	TRANSFORMER 200VA, 208,240,480V: 120V	1	
	261-350	TRANSFORMER 250VA, 240,480,600V: 110,120V		1
ELECTRICAL	229-020	Switch Selector	1	1
	261-088	Contactora 3 pole	1	1
	261-183	Fuse 30a		
	261-289	Fuse 2a	1	1
	261-352	Fuse 1.5a	1	
	261-357	Fuse Class J		
	261-043	Fuse 15a		1
	261-137	Fuse 20a	1	
	261-105	Fuse 7.5a		1
	261-358	Fuse .5a		1
	261-044	Fuse 10a		
	261-177	Fuse 25a	1	
	261-266	Temp Switch	1	1
	269-2925	VFD controler 208/240v	1	1
	269-2924	VFD controler 480v	1	
	269-2923	VFD controler 600v		1
	269-2904	Pressure Transmitter	1	1
PLUMBING	269-2880	Water Tank 119 gal ASME		
	269-2869	Water Tank 318 gal	1	1
	269-2499	Expansion Tank	1	1
	269-2967	TPR Valve	1	1
	269-2450	TPR Valve		
	269-2930	Wye Strainer 1-1/2	1	1
	S27-393	Check Valve 1-1/2	1	1
	269-1860	Temp/Pressure Gauge	1	1
	RW-00002-029	Scald Valve	1	1
TMV	S19-2350	TMV Valve	1	1
	S65-485	Center Section Kit	1	1
	S65-421	TMV Thermostat Kit	1	1
	S65-423	O-ring Seal Kit	1	1
	S65-212	Check/Stop Kit	1	1
	S65-484	Piston & Liner Kit	1	1
WATER HEATER	269-2828	HEATER, WATER 600V 5KW		
	269-2713	HEATER, WATER 240V 5KW		
	269-2712	HEATER, WATER 208V 5KW		
	269-2714	HEATER, WATER 480V 5KW		
	269-2928	HEATER, WATER 480V 10KW	1	
	269-2929	HEATER, WATER 600V 10KW		1